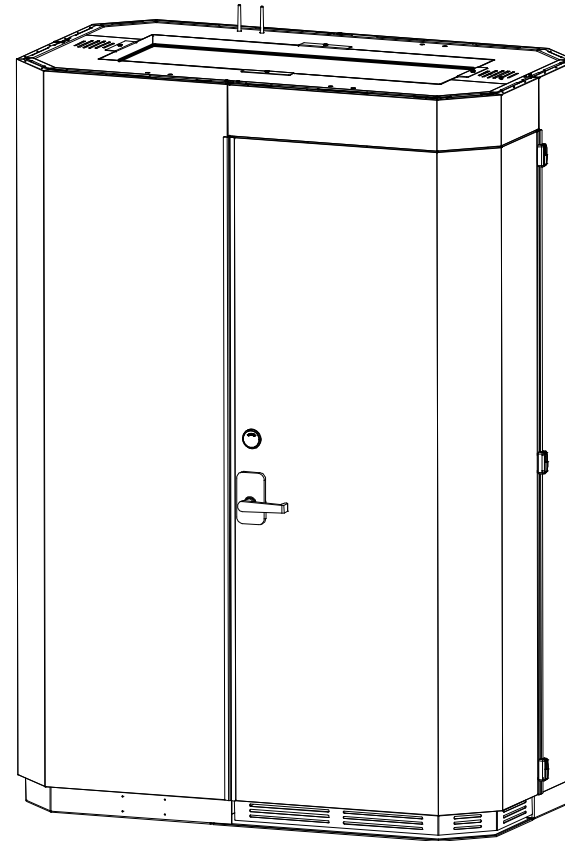




mamava[®]



Solo Assembly Instructions

People required: 2

Average time required: 2 hours

For replacement parts,
questions or concerns, contact:

802.347.2111

customerexperience@mamava.com

Version: SM.1

04/14/2020



WARNING! Power tools will strip hardware,
ASSEMBLE WITH HAND TOOLS ONLY!

****Use provided #3 Phillips, and Rotolock Allen Key****
****Protective gloves should be worn during assembly****



WARNING! The unit is intended to be installed in an indoor location only.
The unit should not be installed in any area where it will be exposed to moisture,
excessive humidity, wind or other outdoor elements or extreme temperatures
(below 40°F (4°C) or greater than 90°F (32°C)).



WARNING!

****Floor under unit must be level to ensure proper function****
****This unit is not intended to be moved after assembly****
****Disassembly before relocation is required****



AVERTISSEMENT! L'utilisation d'outils électriques abîmera la quincaillerie.

ASSEMBLER UNIQUEMENT AVEC DES OUTILS À MAIN!

****Utiliser le tournevis Phillips no 3 et la clé hexagonale Roto Lock qui sont fournis****
****On recommande de porter des gants de protection pendant l'assemblage****



AVERTISSEMENT! L'unité est prévue pour être installée uniquement à l'intérieur.
L'unité ne doit pas être installée dans un lieu où elle sera exposée à de l'humidité
excessive, au vent, aux éléments ou à des températures extrêmes (inférieures à 4
°C [40 °F] ou supérieures à 32 °C [90 °F]).



AVERTISSEMENT!

**** Le sol sous l'unité doit être de niveau pour assurer un fonctionnement correct ****
**** Cette unité n'est pas destinée à être déplacée après l'assemblage ****
**** Le démontage est nécessaire avant le déplacement. ****

Table of Contents

Floor leveling and placement (Page 5)

- Step 1.....
- Step 2.....
- Step 3.....
- Step 4.....

Seat and Seat Posts (Page 6)

- Step 5.....
- Step 6.....
- Step 7.....

Left Wall Panels (Page 7)

- Step 8.....
- Step 9.....
- Step 10.....
- Step 11.....
- Step 12.....
- Step 13.....

Back Right Wall Panel and Shelf (Page 8)

- Step 14.....
- Step 15.....
- Step 16.....
- Step 17.....
- Step 18.....

Header and Roof Pan (Page 9)

- Step 19.....
- Step 20.....
- Step 21.....

Wiring: Roof Pan (Page 10)

- Step 22.....
- Step 23.....
- Step 24.....

Wiring: Beauty Panel (Page 11)

- Step 25.....
- Step 26.....
- Step 27.....
- Step 28.....
- Step 29.....
- Step 30.....
- Step 31.....

Roof Caps and Perf Pan (Page 12)

- Step 32.....
- Step 33.....
- Step 34.....

Door (Page 13)

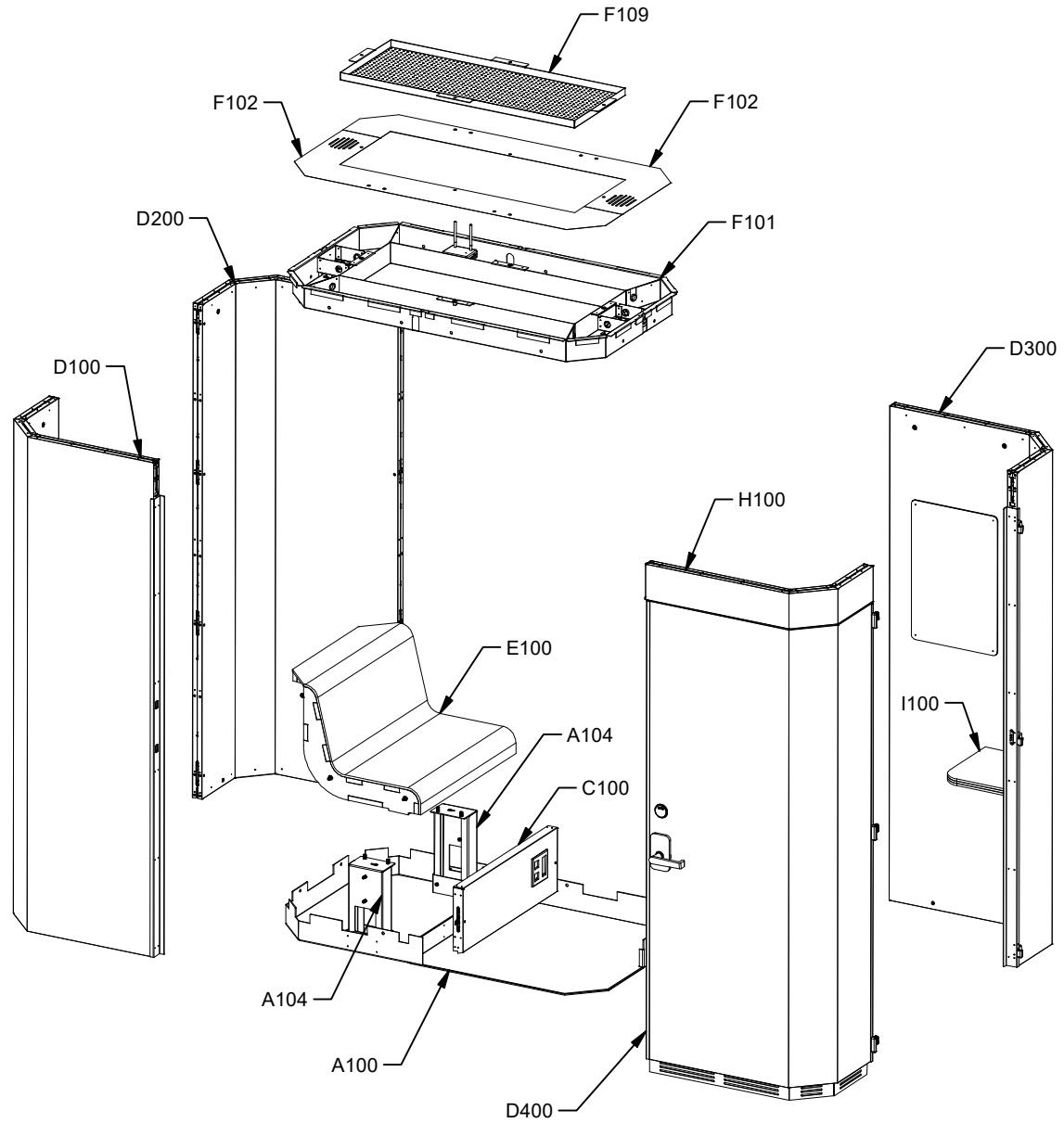
- Step 35.....
- Step 36.....
- Step 37.....
- Step 38.....

PARTS LIST	
PART NUMBER	DESCRIPTION
SOLO-A100	FLOOR PAN
SOLO-A104	SEAT POST BRACKET
SOLO-C100	BEAUTY PANEL
SOLO-D100	FRONT LEFT WALL PANEL
SOLO-D200	BACK LEFT WALL PANEL
SOLO-D300	BACK RIGHT WALL PANEL
SOLO-D400	DOOR
SOLO-E100	SEAT
SOLO-F101	ROOF PAN
SOLO-F102	ROOF CAP
SOLO-F109	PERF PAN
SOLO-H100	HEADER
SOLO-I100	SHELF

LOOSE HARDWARE
(28) M8 X 1.25 X 25mm Flat-head Screw
(18) M8 X 1.25 X 40mm Flat-head Screw
(8) #8 X 3/4" Pan-head Screw
(8) Rotolock Caps
(2) Door Handles

****Assembly requires two people****

TOOLS REQUIRED
4' Level (provided)
6' Ladder
Phillips Head #2 Screwdriver
Phillips Head #3 Drive Screwdriver (provided)
Rotolock Allen Key (provided, 5.5mm)



FLOOR LEVELING AND PLACEMENT

1. Place provided 4' level in desired location. Ensure that there are no gaps between the bottom of the level and the floor that are greater than 1/8", and that the site is level (the indicating bubble on the level should be between the center marks).

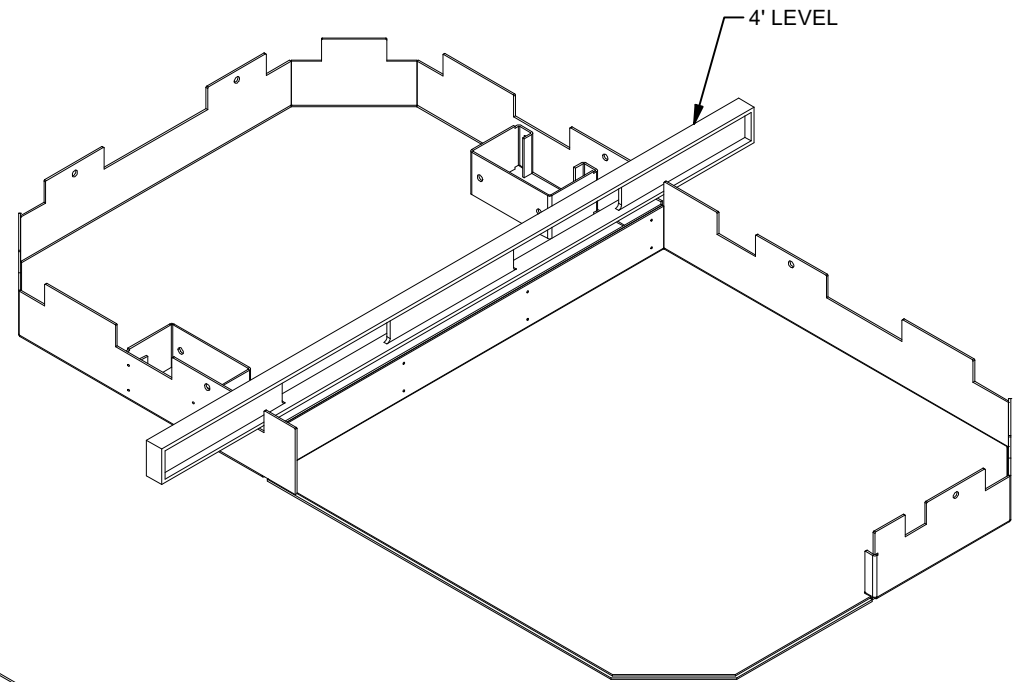
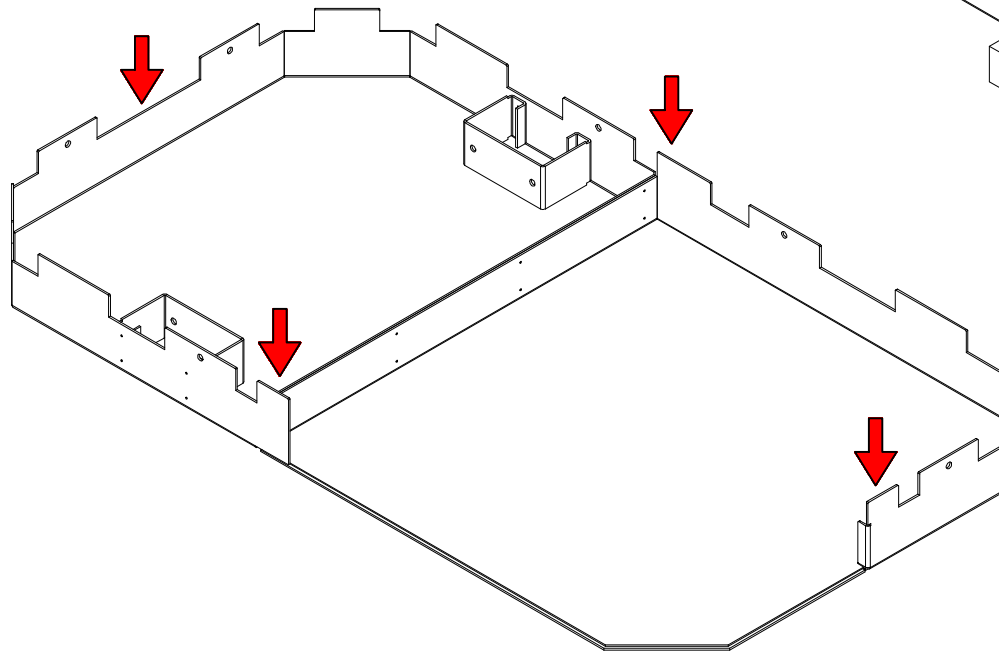
2. Place Floor Pan in desired pod location.

3. Push down on Floor Pan at red arrow locations. The Floor Pan should be stable and not rock.

****Note: If there's rocking, move the Floor Pan a short distance to find a more stable location.**

4. Place provided 4' Level in Floor Pan slots as shown and ensure that the floor pan is level.

****Note: If the floor is not level, move the Floor Pan a short distance to find a more stable location.**

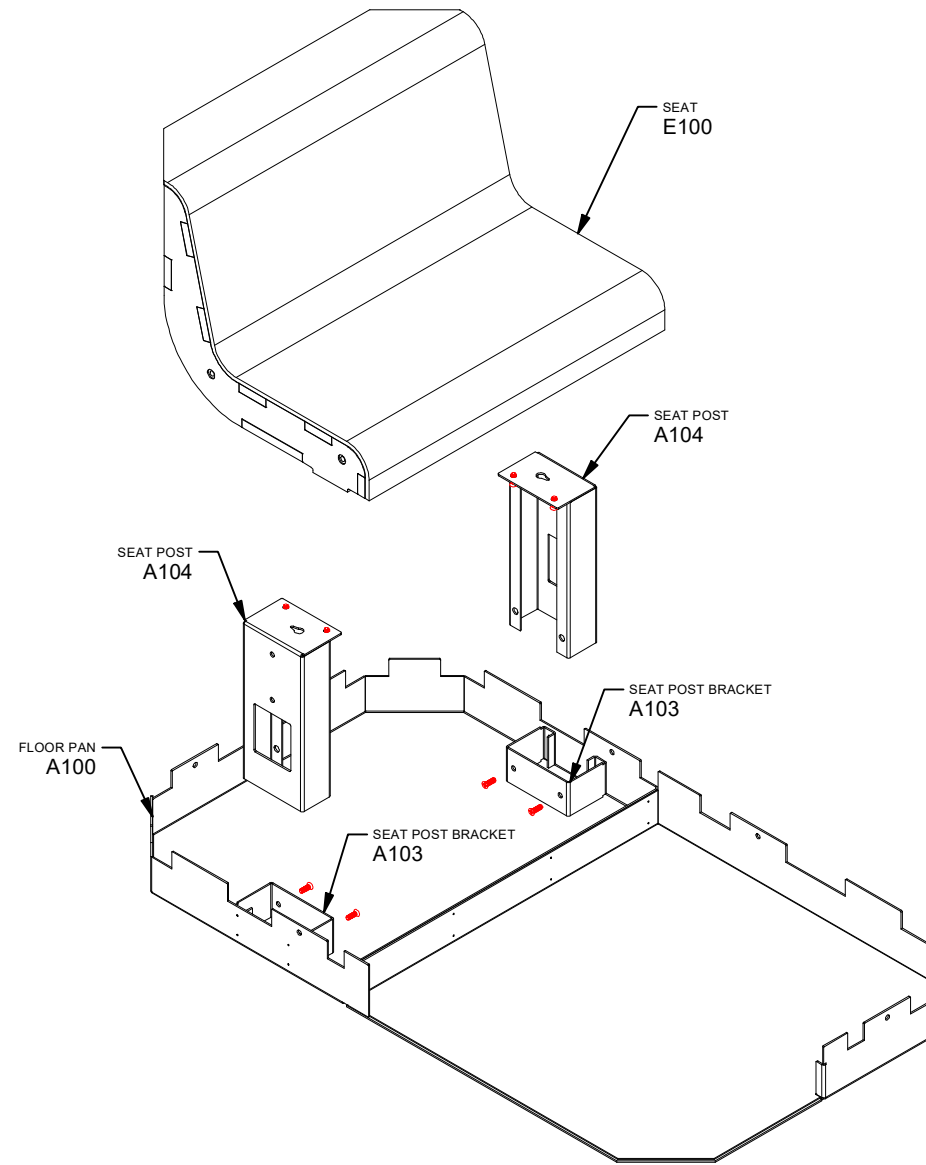
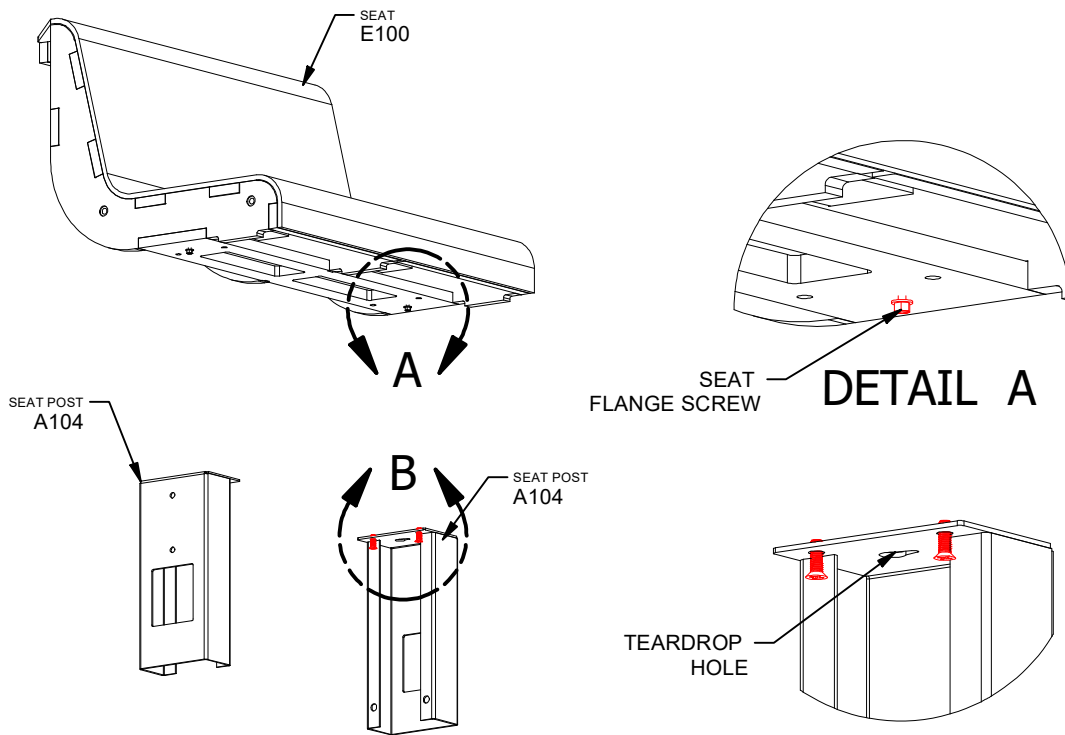


SEAT AND SEAT POSTS

5. Slide Seat Posts into Seat Post Brackets, fasten as shown.
(4) M8 X 1.25 X 25mm screws

6. Place Seat onto Seat Post Brackets by aligning Seat Flange Screws with the teardrop holes in the Seat Posts.
****Note: Seat Posts are universal and can go into either Seat Post Bracket.**

7. Fasten bottom of Seat to top of Seat Posts as shown.
(4) M8 X 1.25 X 25mm screws



LEFT WALL PANELS

8. Set Front Left Wall Panel onto notched flange in Floor Pan.

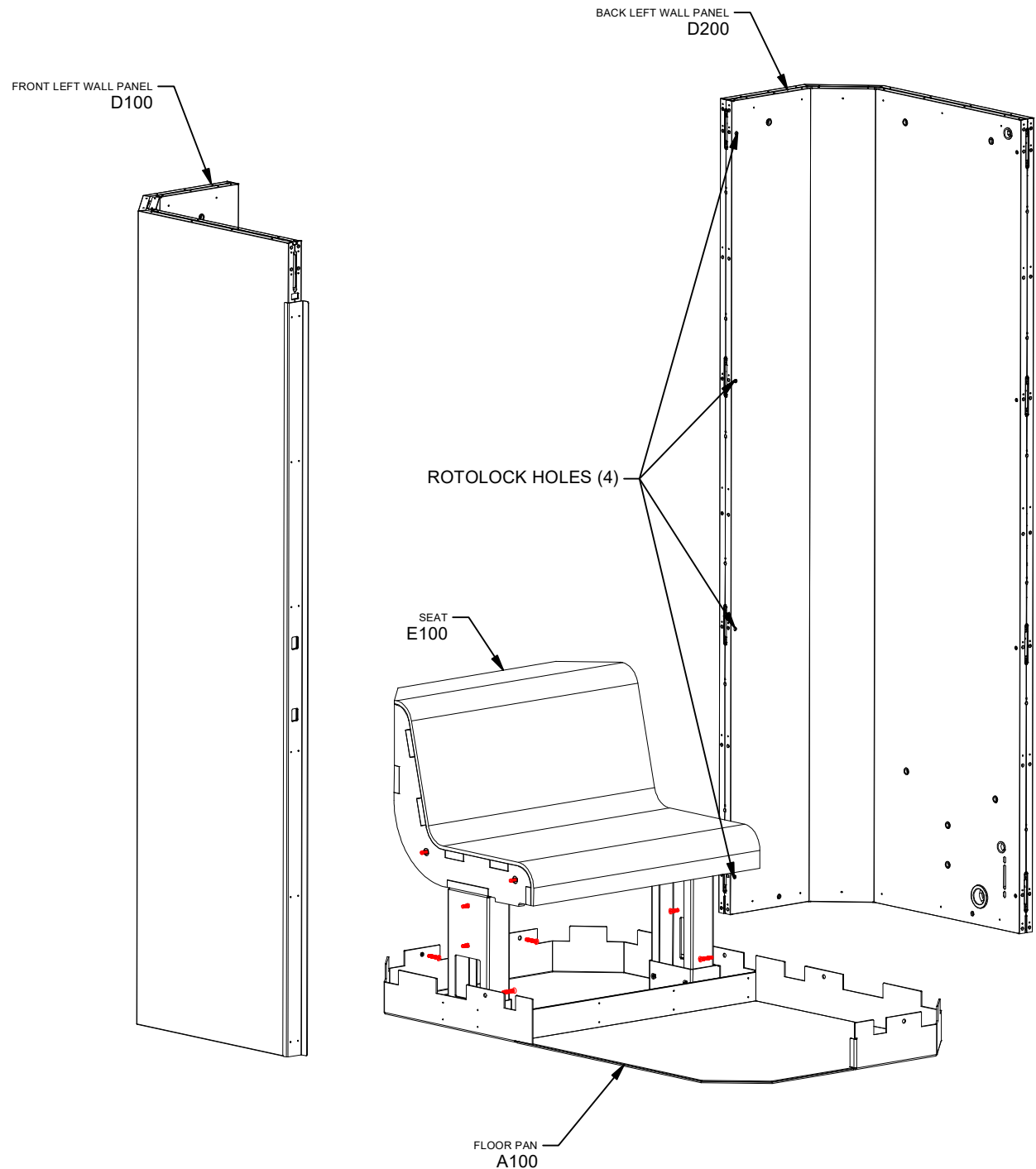
9. Set Back Left Wall Panel onto notched flange in Floor Pan. Rotolock both panels together using provided allen key.

10. Place Rotolock Caps over upper three holes. (3 caps)

11. Fasten Wall Panels to Floor Pan. (4) M8 X 1.25 X 40mm screws

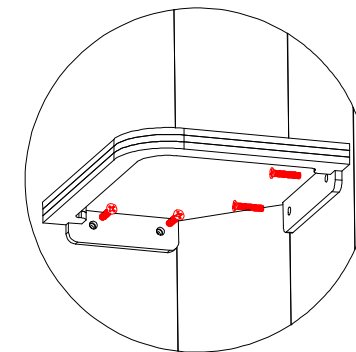
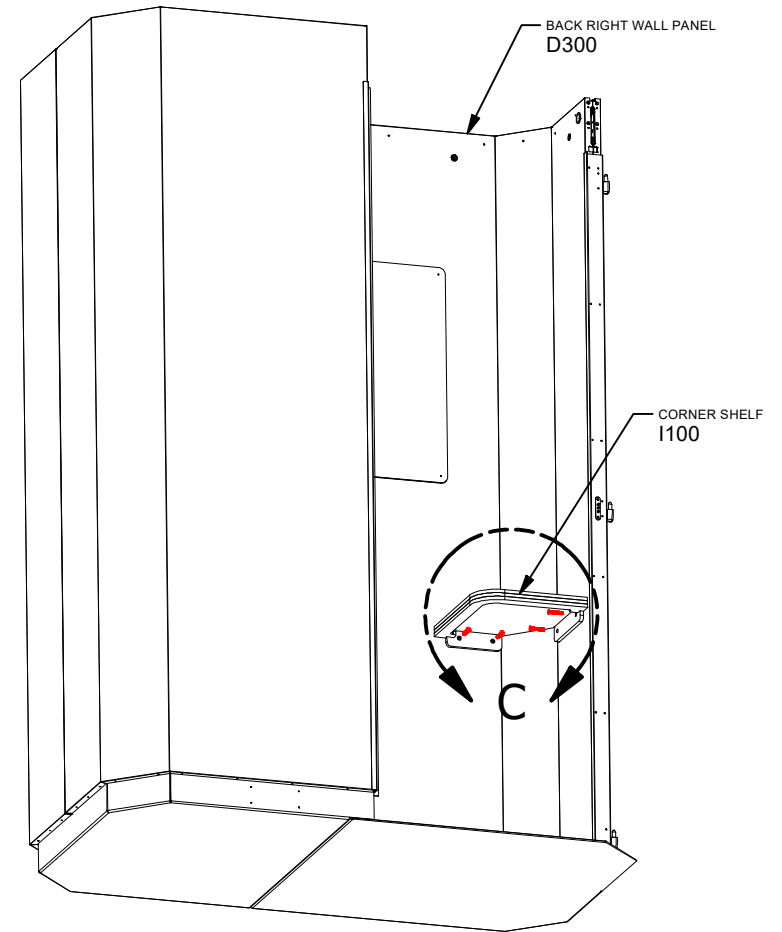
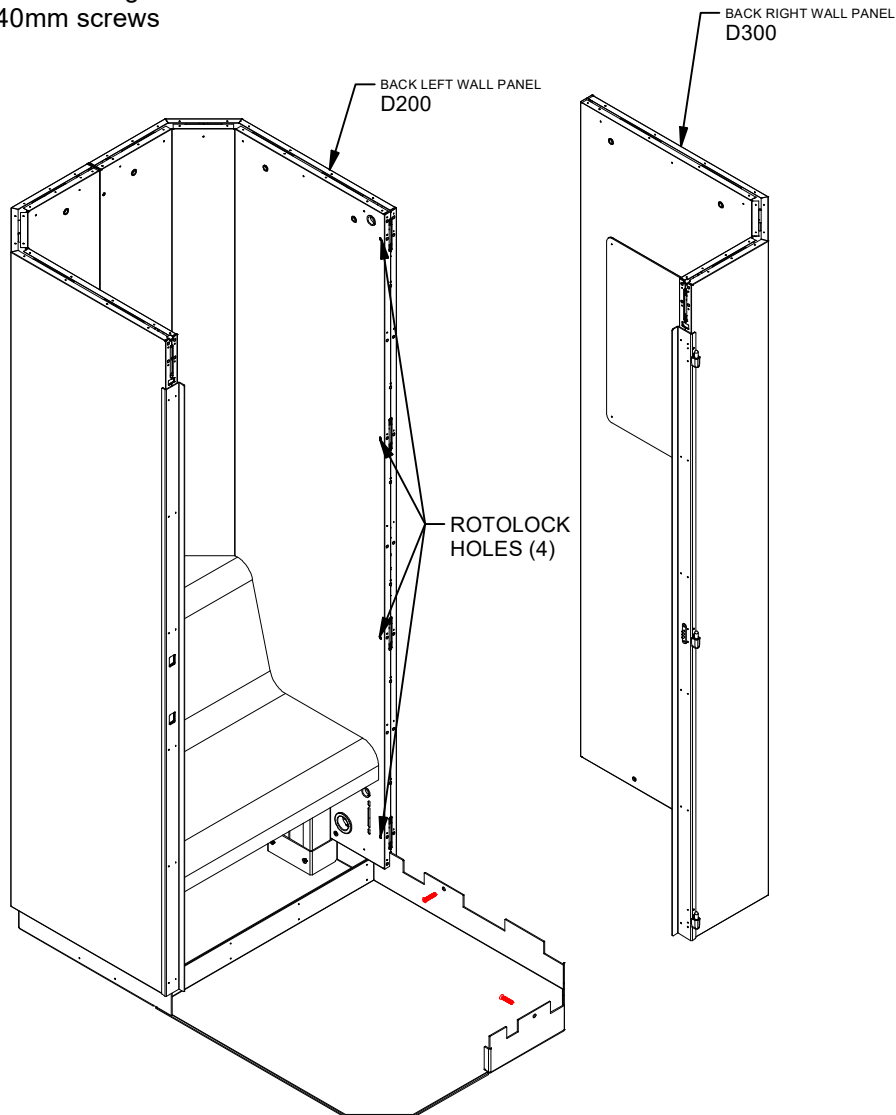
12. Fasten Wall panels to Seat Posts. (4) M8 X 1.25 X 25mm screws

13. Fasten Seat to Wall Panels. (4) M8 X 1.25 X 40mm screws



BACK RIGHT WALL PANEL AND SHELF

14. Set Back Right Wall Panel onto notched flange in Floor Pan.
15. Rotolock back panels together using provided allen key.
16. Place Rotolock Caps over upper three holes.
(3 caps)
17. Fasten Back Right Wall Panel to Floor Pan.
(2) M8 X 1.25 X 40mm screws
18. Fasten Shelf to Back Right Wall Panel as shown.
(4) M8 X 1.25 X 40mm screws



DETAIL C

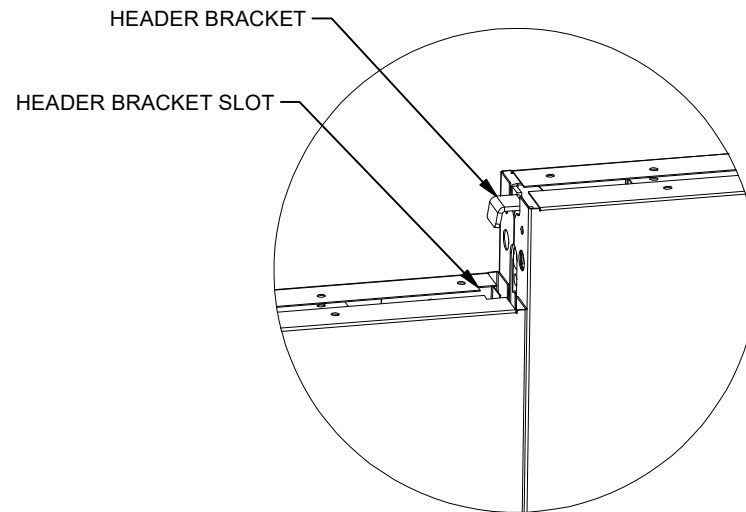
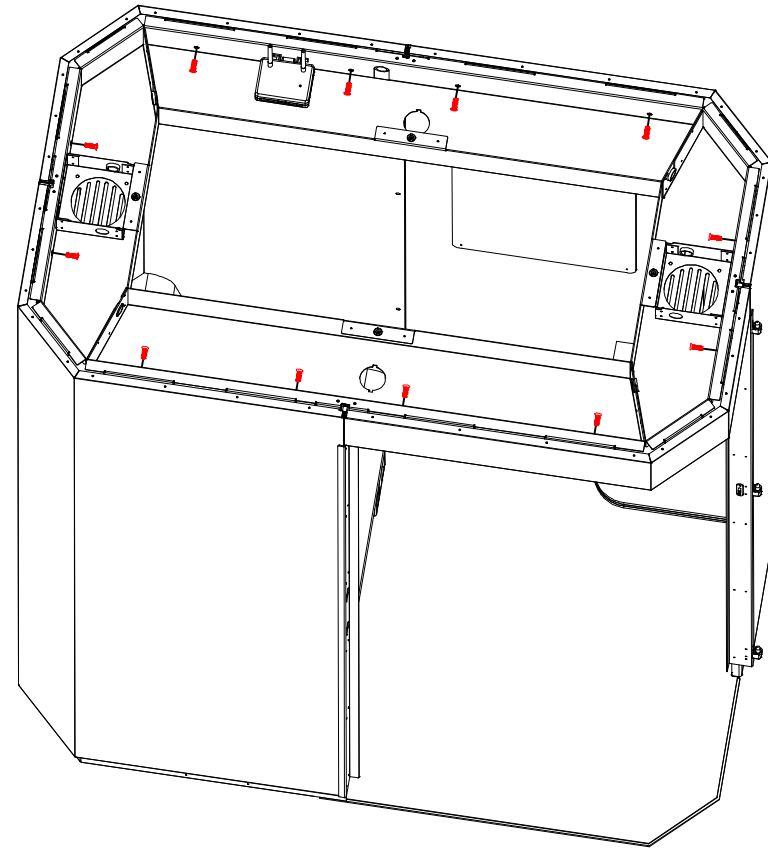
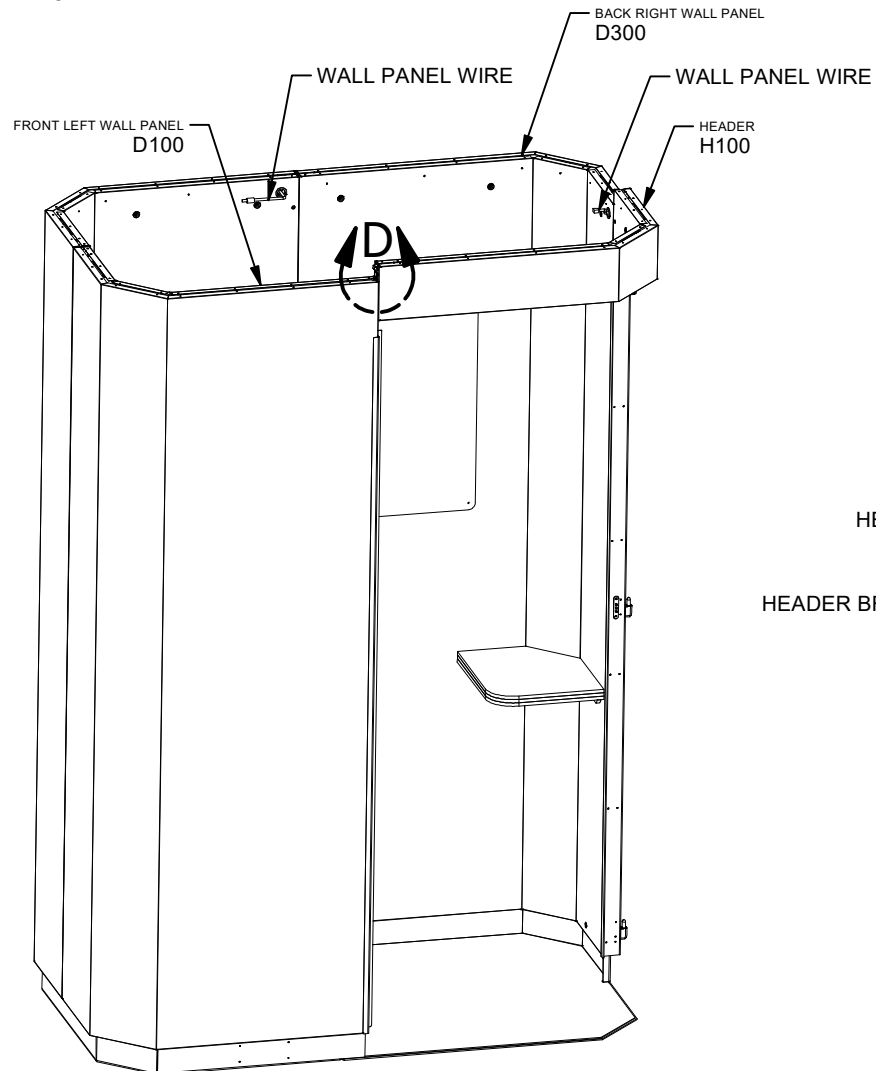
HEADER AND ROOF PAN

19. Pop Header Brackets into Wall Panel Bracket Slots by pushing downward on Header. Rotolock Header to Front Left Wall Panel and Back Right Wall Panel with provided allen key.

20. Drop Roof Pan into roof opening by aligning the Roof Pan flanges within the slots on top of the Wall Panels.

****Note: Line up Door sticker on Roof Pan with Door opening to ensure correct orientation. Careful not to pinch Wall Panel Wires.**

21. Fasten Roof Pan to Wall Panels as shown.
(12) M8 X 1.25 X 25mm screws



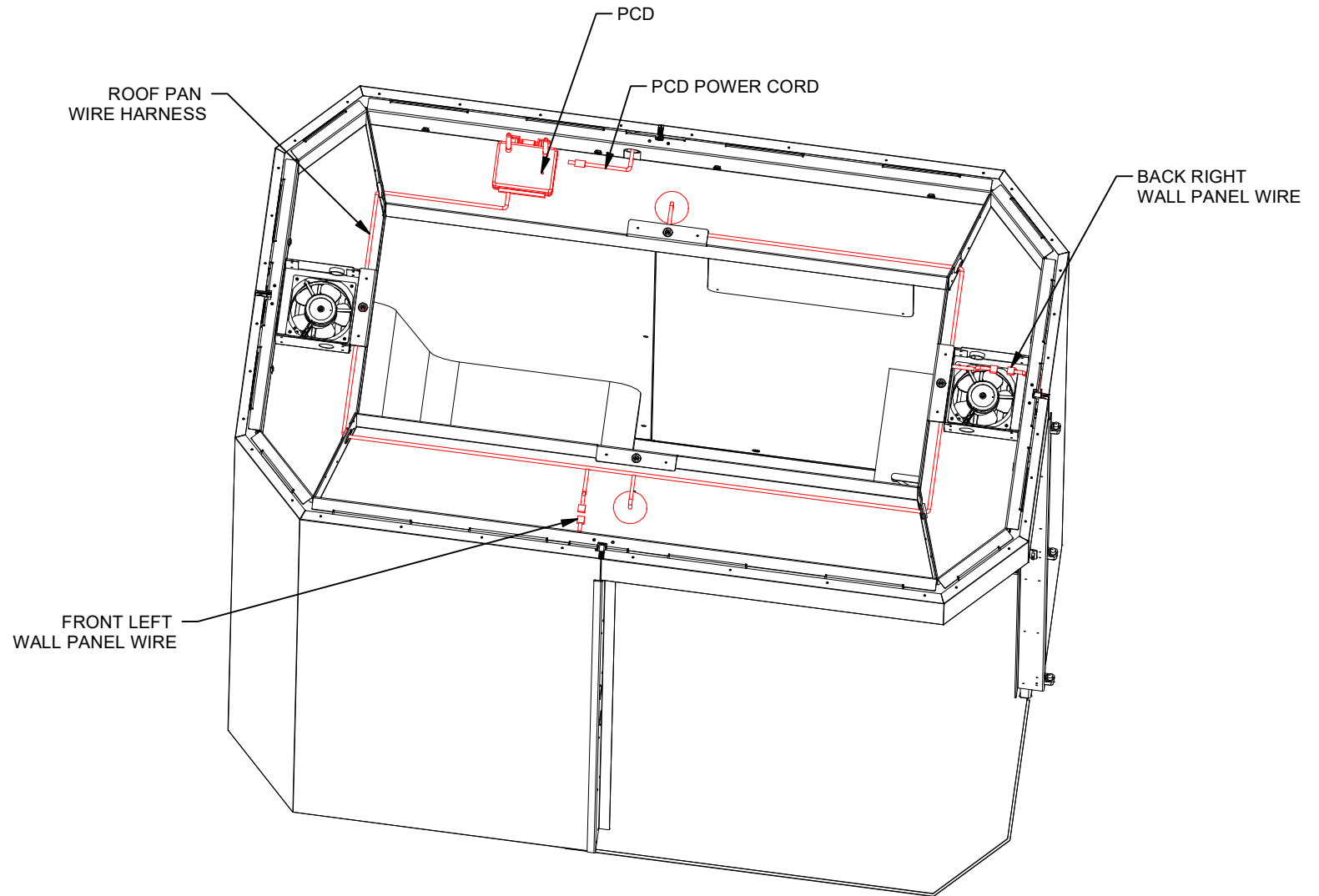
DETAIL D

WIRING: ROOF PAN

22. Connect Roof Pan Wire Harness to Front Left Wall Panel Wire.

23. Connect Roof Pan Wire Harness to Back Right Wall Panel Wire.

24. Plug PCD Power Cord into PCD and flip up antennas.



WIRING: BEAUTY PANEL

25. Remove Wire Grommet Cover from back of unit and run GFCI Wire into unit through Back Left Wall Panel.

26. Connect GFCI wire to Beauty Panel Junction Box and replace Wire Grommet Cover.

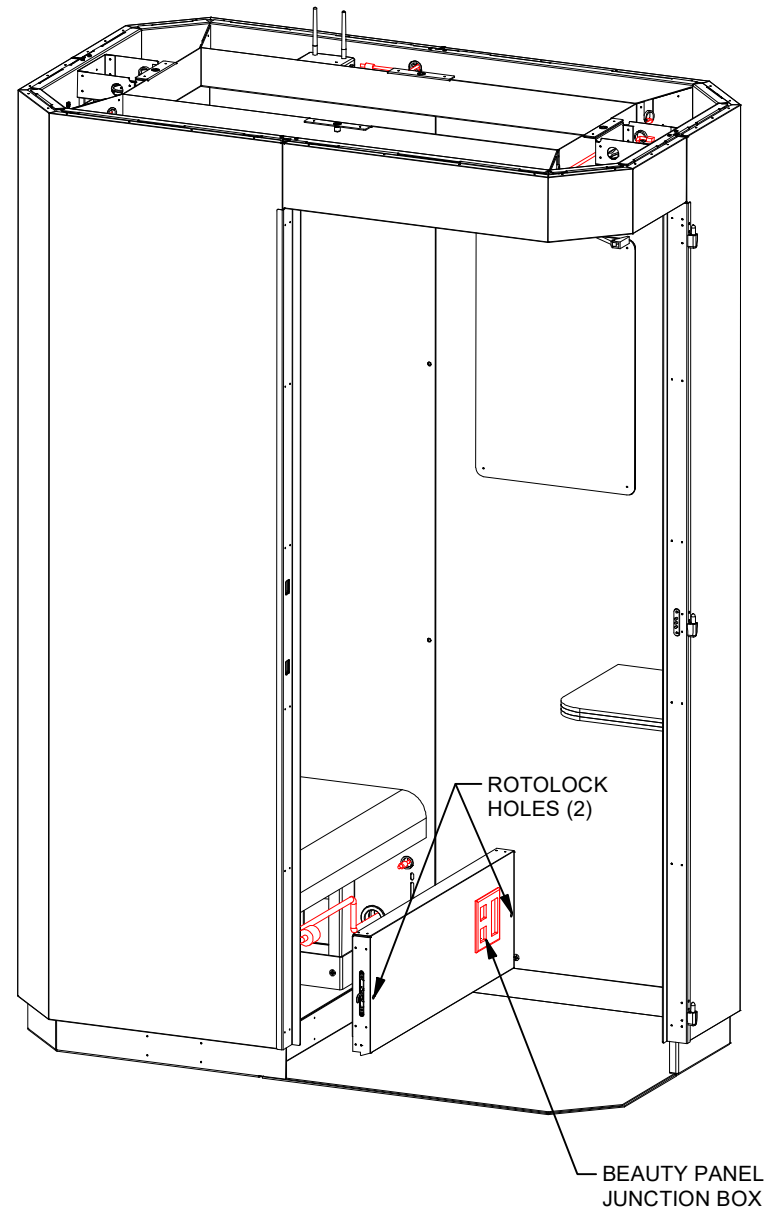
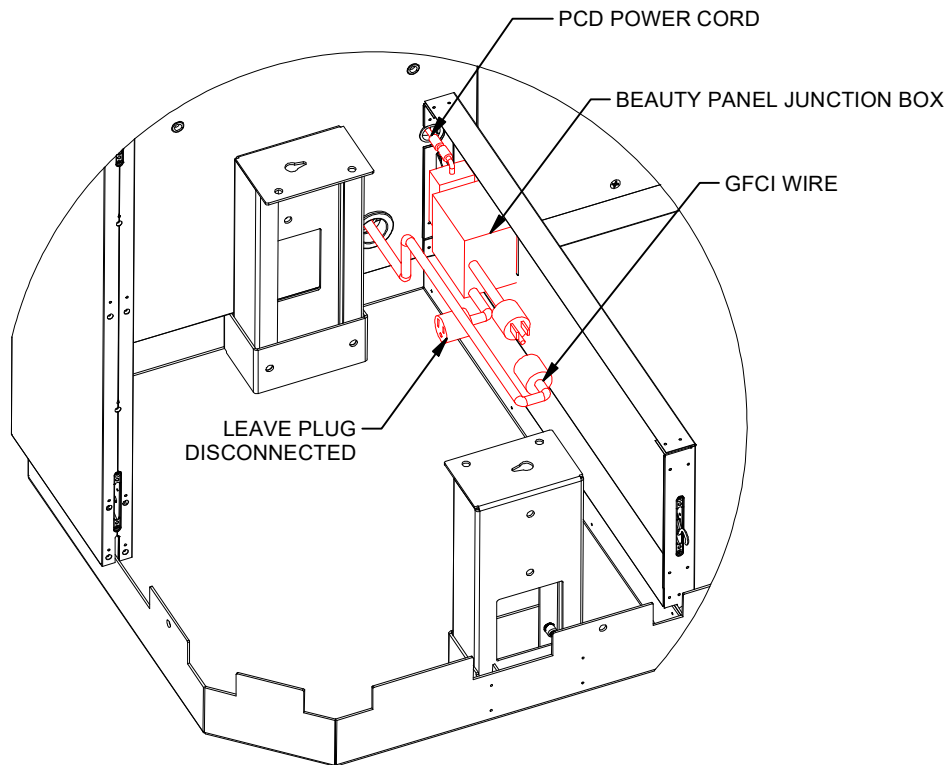
27. Connect PCD Power Cord to Beauty Panel Junction Box.

28. Slide Beauty Panel under Seat and Rotolock into wall panels.

29. Place Rotolock Caps over holes.
(2 caps)

30. Plug in GFCI Plug on exterior of unit to wall outlet.

31. Hold down the plunger switch located in the dead bolt hole on the Latch Side Wall Panel. Verify that both lights and fans turn on when the switch is depressed.

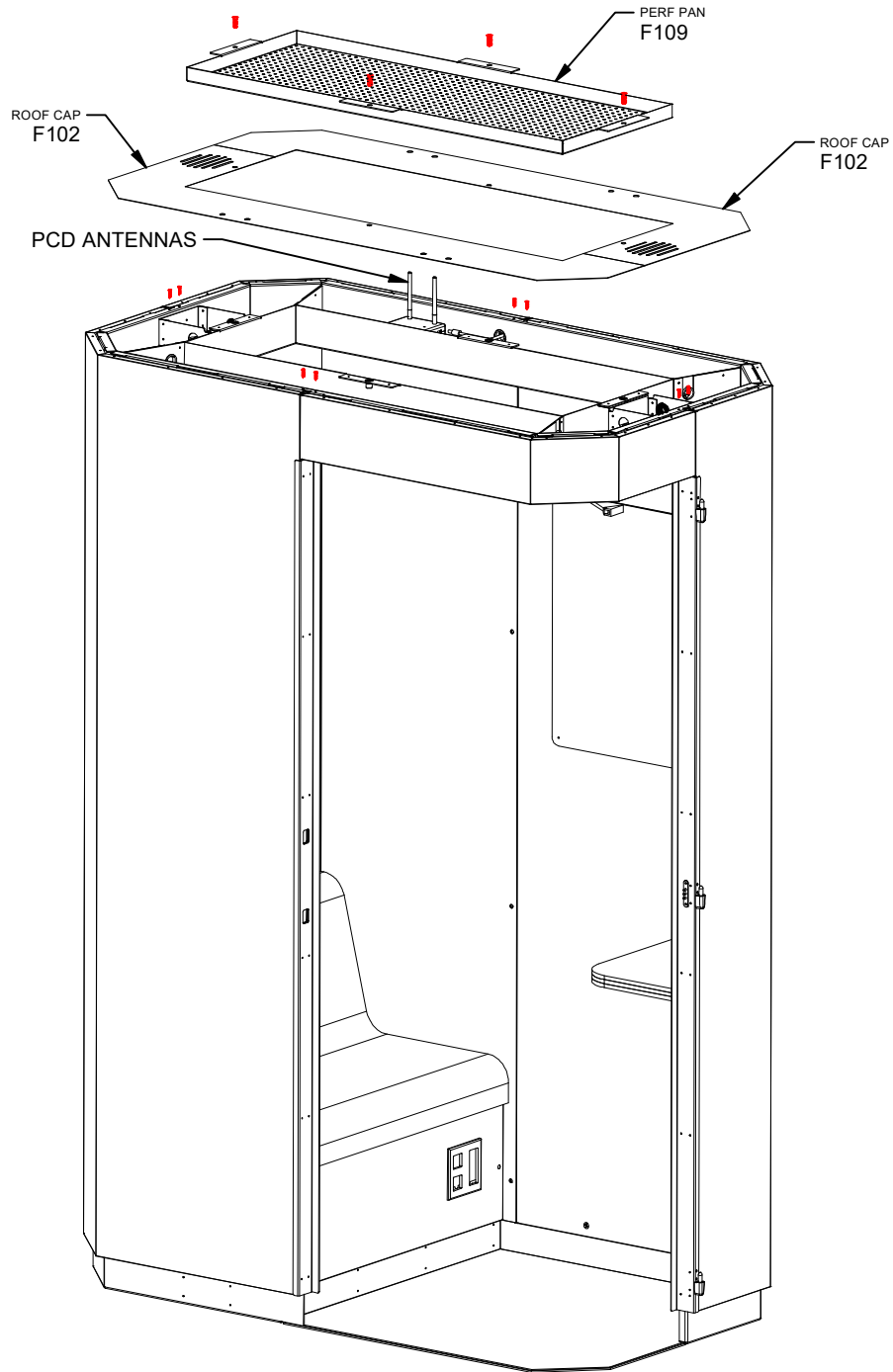


ROOF CAPS AND PERF PAN

32. Fasten Roof Pan to top of Wall Panels.
(8) #8 X 3/4" Pan-head screws

33. Drop both Roof Caps onto Roof Pans as shown.
PCD antennas pass through holes in Roof Cap.

34. Drop Perf Pan into center of Roof Caps,
fasten to Roof Pan underneath.
(4) M8 X 1.25 X 25mm screws



DOOR

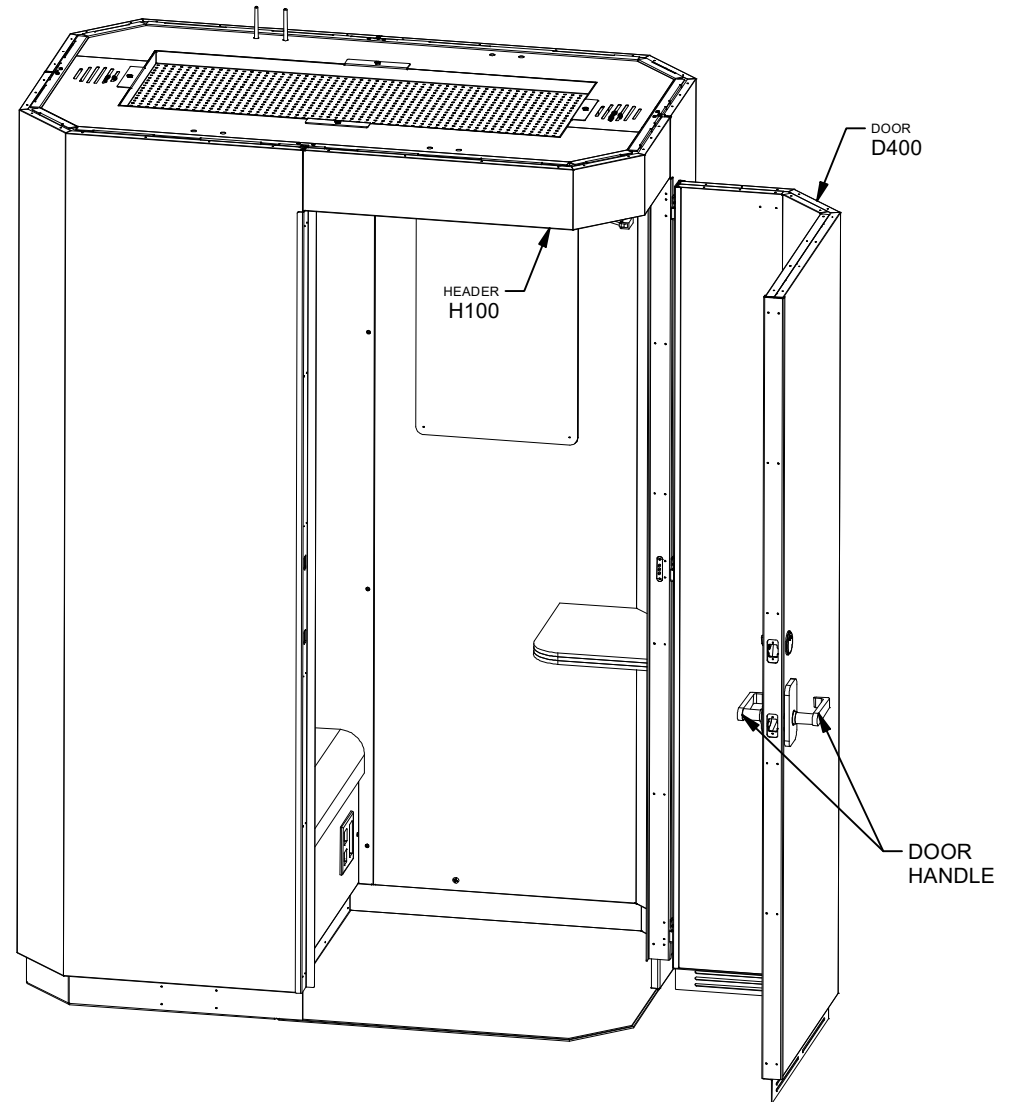
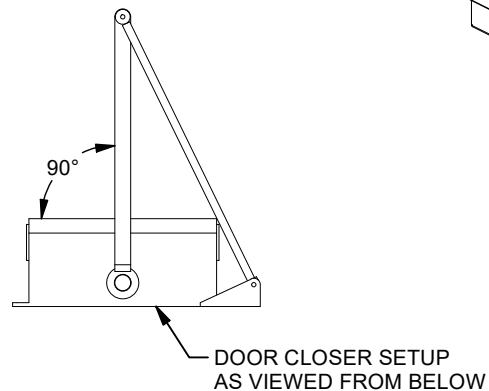
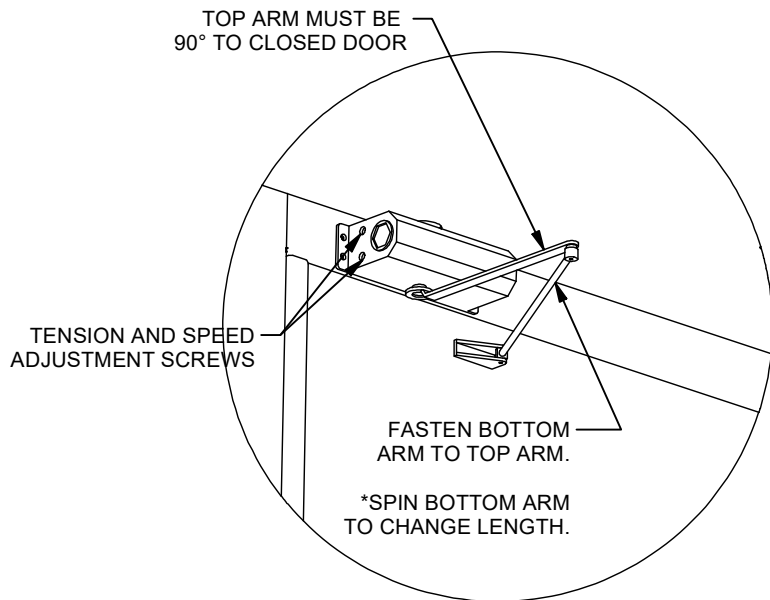
35. Hang Door as shown, ensuring door is open enough to clear the Header.

36. Connect door closer arms.
Ensure the door latches but doesn't slam.
Adjust tension and speed screws if needed.

37. Attach both door handles to door by snapping them into the exposed handle holes.

38. Ensure that the door latches and that the handles are operable.

****Assembly completed!****





Post Installation Checklist

Congrats on your new addition and welcome to the Mamava family! Once your Mamava pod is installed, please take a few moments to ensure everything is fully functional. Once we receive this from, signed and dated, plus a photo of your pod, we'll activate the pod on our app, so moms can find and access it with their own phone.

—

Store your Mamava owner's manual, assembly guide, brass key, and small deadbolt key in a safe location. If you require assistance, please contact Mamava's Customer Experience team at 802-347-2111 and we'll be happy to help.

Mamava Customer Experience
802.347.2111
customerexperience@mamava.com

Check Your Pod

- The door closes easily and freely without rubbing against the door frame. If it doesn't, please address by referring to the pod alignment and leveling instructions.
- The deadbolt engages fully and easily. If it doesn't, please address leveling and pod alignment.
- The interior lights and fans turn on automatically when the door opens. The lights and fans will go off after 30 seconds have elapsed.
- All outlets (standard and USB port) work.

Test Pod Access

- Test access with your keypad code by entering 8008 to unlock the door.
- Make sure that the interior lights and fans come on (and stay on) after dead-bolting the lock.
- Stay in the pod for a minimum of one minute.

Tell Mamava Your Pod is Ready

- Take a horizontal photo of your pod in its installed location for our app. Be sure to remove any packing materials and get a nice, clean shot from 8' away!
- Locate the serial number on the white label inside the door frame (it starts with FCD or KPF - ####).
- Fill out all the fields below and return this form along with the photo of your pod and pod to **customerexperience@mamava.com**.

If you have any concerns or questions, do not hesitate to contact us directly at 802-347-2111 and we will do whatever we can to help. If you've checked all of the above and you are satisfied with the installation, please sign the below indicating your approval. By signing the below, certifies the understanding and satisfaction with the pod(s) installation. Any installation changes and/or requests submitted to Mamava post installation may be subject to service fees.

Signature: _____ Date: _____

Name Print: _____ Serial #: _____