

SOME IMPORTANT SLEWING RING MANUFACTURES IN CHINA

China now become one of the largest markets for various kinds of construction machineries, such as tower cranes, excavators, mobile cranes, other types of cranes, piling machines, and truck-mounted concrete pumps because of fast development of Chinese economy. The production capability of construction machineries in China has been rapidly increased in recent years.

There are a lot of Slewing Ring manufactures all around China, but most important and biggest ones are situated in Xuzhou, Jiangsu Province (Xuzhou is the largest construction machineries production base, in which most famous construction machineries manufactures are situated), others are in Luoyang, Henan Province (Luoyang is the largest extra big size bearing production base, in which most famous extra big bearing manufactures are situated) , Changzhou, Jiangsu Province and Qingdao, Shandong Province.

Some manufactures are joint venture companies (like Xuzhou Rothe Erde Slewing Bearing Co., Ltd which is Joint Venture Company established between Rothe Erde GmbH of German ThyssenKrupp Technologies Group and Xuzhou Construction Machinery Group). These joint venture companies provide their standard and brand products with high quality, but with high price too. Some joint ventures companies are the manufacturing bases in China for their parent companies and only supply the slewing rings to the customers of their parent companies.

There are a lot of local Slewing Ring manufactures which can provide good quality products with their advanced machining centers and equipment needed to machine and treatment slewing rings. They supply their standard slewing rings, but also like to produce special slewing rings according to customer's drawing and requirements. But their production capability is limited, some can just provide small and medium size slewing rings, some can supply large size slewing rings with annual quantity less than one thousand pieces.

The Slewing Ring manufactures described in following are some very important Slewing rings suppliers both to international and domestic market.

1. Xuzhou Rothe Erde Slewing Bearing Co., Ltd

Brief Introduction:

Xuzhou Rothe Erde Slewing Bearing Co., Ltd. (XREB) is the biggest manufacturer specialized in large diameter slewing bearings in China, whose products are widely used in engineering, manufacture, service and support, its steel ball plant also ranks among the top-ten biggest steel ball plants in China. XREB is a joint venture company established between Rothe Erde GmbH of German ThyssenKrupp

Technologies Group and Xuzhou Construction Machinery Group. The German Party holds 60% and the Chinese Party 40% of the shares.

★ On May 1st, 2002, the joint-venture company Xuzhou Rothe Erde Slewing Bearing Co., Ltd. was established. Rothe Erde GmbH of Germany holds 60% and Xuzhou Slewing Ring Bearing Co. of Xuzhou Construction Machinery Group (XCMG) holds 40% of the shares. All the operational assets related to slewing rings and steel balls products of Xuzhou Slewing Ring Bearing Co. were transferred to the joint-venture company.

★ In October 2004, a new advanced production line for high-end slewing bearings was commissioned in Wanzhai Plant of XREB.

★ In December 2004, the technical upgrading project on the existing Wanzhai slewing bearing plant of XREB was completed, which had lasted for two years. The equipment technology on the production lines was thus greatly improved, raising the product quality significantly.

★ In January 2006, the 1st phase of Jin Shanqiao Slewing Bearing Plant located in Xuzhou Economic Development Zone was completed, and the total investment will be fully realized in October 2007. The Jin Shanqiao Plant is an independent legal entity, i.e. "REX (Xuzhou) Slewing Bearing Co., Ltd.", but both the shareholders and the share ratio, production technology, the product quality and brand remain the same as Xuzhou Rothe Erde Slewing Bearing Co., Ltd.

Contact:

Xuzhou Rothe Erde Slewing Bearing Co., Ltd.
Wanzhai, Northern Suburb, Xuzhou 221007, Jiangsu, China
Tel: +86 516 87767170~87767174
Fax: +86 516 87768946
Sales e-mail: sales@xreb.com
Web: <http://www.xreb.com>

Product:

Large-Diameter Antifriction Bearing

We can produce six series of bearings with diameters ranging from 400mm to 5050mm.

Single-row four point contact ball series



Three-row roller series

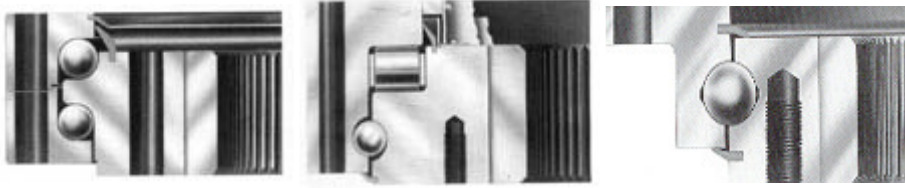


Single-row crossed roller series



Double-row ball series

Roller & ball combination series Light type profile bearings



2. Socare Bearing Co., Ltd. Company

Brief Introduction:

Socare Bearing Co., Ltd. Company is the professional manufacturer of Slewing Bearings and the Big size Ball & Roller bearings.

Socare Bearing Co., Ltd. Company could manufacture and process various types Slewing Bearings with the dimensions from 100mm to 6000mm, including Thrust Ball bearings, Thrust Roller Bearings, Four Contact Ball Bearings, Double-row Ball Bearings, Crossed Roller Bearings, as well as the Ball & Roller combination bearings...Our products have been applied in various equipments such as Wind Power Generating Apparatus, Bucket Wheel Machine, Portal Crane and other Port Tower Cranes and Mine Heavy Machines, Metallurgy, National Defense Industry and other highly sophisticated equipments.

Socare Bearing Co., Ltd. Company adhere to 4Q business principles in our trades with customers all over the world: Quality products, Quality service, Quality people, Quality price. And "Customer First, Service Foremost" is our objective!

Contact:

Company Name:	Socare Bearing Co., Ltd.
Company Address:	Room202-2-35, Meian New Community, Shimeian Industrial Zone, Qingdao, China
City/Province:	Qingdao/Shandong
Country/Region:	China
Zip/Postal Code:	266043
Telephone Number:	86-532-89885128
Fax Number:	86-532-84832132
Contact Person:	Mr. BingTin
Position:	Sales Director
Department:	Manage Depart.
Mobile:	86-15966845117

Product:

(1.)Ring Bearing



Ring Bearing

Trademark:	socare
Model:	100-6500mm
Standard:	iso
Productivity:	150sets/year
Unit Price/Payment:	FOB TSING TAO

(2.) Three-Row Roller Slewing Bearing



Three-Row Roller Slewing Bearing

Product Description

As SOCARE BEARING one main series, this kind of Slewing bearings are skilfully just as clay in the hand of potter.

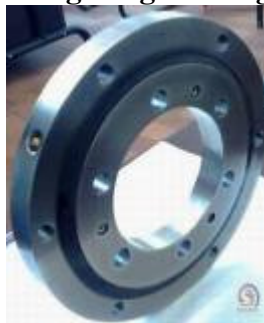
This kind of Slewing bearing is one common type too, it is made up by three Rings (two separate outer ring and one inner ring), three-row rollers & Supports, with compact conformation, it can bear both Axial & Radial load and the moment at the same time. It is the one kind of Slewing Bearing which can bear the most loads. It often be used on heavy duty machines which require large working diameter, the Bucket wheel excavators, wheeled cranes, deck cranes, steel transporters, heavy duty mobile cranes etc.

The dimension scope for SOCARE BEARING is from 500mm to 6500mm.

The forgings are from the professional forging plants with power facility and timely delivery time, and we will supply you the Material Test Certificate and the finished products Test Report.

Trademark: SOCARE
Model: 1000-6500MM
Standard: ISO
Productivity: 100SETS/YEAR
Unit Price/Payment:FOB TSING TAO/T/T

(3.) Four-Point Contact Ball Slewing Ring Bearing



Four-Point Contact Ball Slewing Ring Bearing

Product Description

As SOCARE BEARING one main series, this kind of Slewing bearings are skilfully just as clay in the hand of potter.

This kind of Slewing bearing is the most common type, it is made up by two Rings, Balls & Supports, with compact conformation, light weight, the Steel Balls are Four Point Contacting with the arc Raceway, it can bear both Axial & Radial load and the moment at the same time.

It often be used on Rotary Reclaimers, Welding Manipulator, Small and middle

Cranes and excavators. And some Tower Cranes of ship use it too.
The dimension scope of SOCARE BEARING is from 100mm to 4000mm, in large amounts, the kind of Slewing bearing dimension always be less than 4000mm.
The forgings are from the professional forging plants with power facility and timely delivery time, and we will supply you the Material Test Certificate and the finished products Test Report.

Trademark: SOCARE
Model: 6500MM
Standard: ISO
Productivity: 1000SET/YEAR
Unit Price/Payment: FOB TSING TAO/T/T

(4.) Slewing Bearing with Special Craft



Slewing Bearing with Special Craft

O spray grease on the bearing for lubricate and do anti-corrosion by this way (Metal Hot Spray) are completely different, to spray grease on the bearing for lubricate is one basic procedure to avoid the bearing rusted, and all bearings will be done after finished. But our anti-corrosion is with first-rate technology and can stop the ocean water corrode, also can defeat the ocean wet wind.

In fact, if the bearing used on port equipments or equipments near ocean, as well as the ship crane, they all need special anti-corrosion to resist the corrosive material (water, wet wind, corrosive gas...), and the anti-corrosion can be effective for as long as about 20 years.

In fact, the anti-corrosion technology is for our military project, and be put in bearing industry use only 2-3 year, and the achievements is wonderful.

So, if your bearings will be installed onto the Port Equipments or Ships, or somewhere with corrosive material, this anti-corrosion process will be helpful for you.

Trademark: SCOARE
Model: 100-6500MM
Standard: ISO
Productivity: 100SETS/YEAR
Unit Price/Payment: FOB TSING TAO

(5.) Cross Roller Slewing Bearings



Cross Roller Slewing Bearings

As SOCARE BEARING another one main series, this kind of Slewing bearings are skilfully for us too.

This kind of Slewing bearing is also the most common type, it is made up by two Rings, Rollers & Support blocks, with compact conformation, light weight, high precision, it can bear both Axial& Bigger Radial load and the moment at the same time.

It often be used on hoisting and transporting equipments, and the military projects.

The dimension scope for SOCARE BEARING is from 100mm to 4000mm, in large amounts, the kind of Slewing bearing dimension always be less than 4000mm.

The forgings are from the professional forging plants with power facility and timely delivery time, and we will supply you the Material Test Certificate and the finished products Test Report.

Trademark: SOCARE
Model: 100-6500MM
Standard: ISO
Unit Price/Payment:T/T

3. JiangSu Ruite Slewing Ring Co., Ltd

Brief Introduction:

JiangSu Ruite slewing Ring Co., Ltd. is located in the Changzhou Hi-tech Industry Development Zone of Jiangsu Province in China. It is a manufacturer specializing in design and production of rotary support widely applied in the fields of engineering crane, metallurgical, mine mechanical, wind power, light industry and petrochemical industry. The products include four series – single-row global structure, two-row global structure, three-row column structure and crossed roller structure. The series products are provided in accordance with the national construction industry standard including JG/T66-1999、JG/T67-1999、JG/T68-1999 and the national machine building industry standards JB/T2300-1999. All kinds of non-standard rotary support products can be also designed and produced in accordance with the customers' drawing requirements.

Aim of Ruite Enterprise

Technology: To continue to innovate in order to make the design performance of Ruite rotary support conforming to the international level;

Manufacture: To apply the CNC equipment and advanced process for each procedure and inspect quality of product in 100% before delivery in order to make Ruite rotary support have excellent quality;

Management: To carry out the modern and scientific management for the whole process of manufacture in order to make each step of production be traceable;

Service: To satisfy the customer's requirement with an electorate design and an exquisite workmanship in order to provide high quality rotary support products with wholehearted service;

Contact:

Add:No.16 Mid. Huashan Road New
North District Changzhou City

Tel:

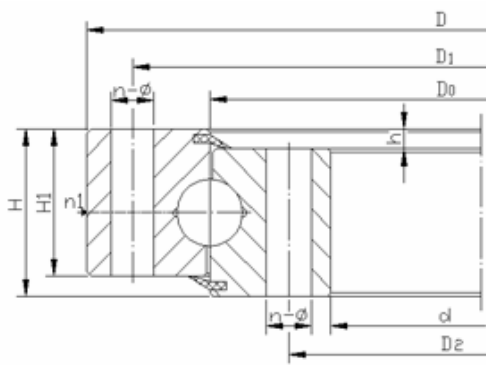
Technical: 0519-85162078

Sale: 0519-85162978 (Tel)

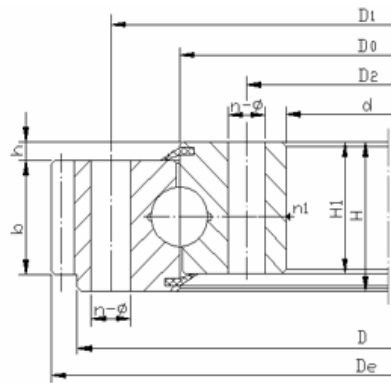
0519-85157286 (Fax)

After-Service: 0519-85162978

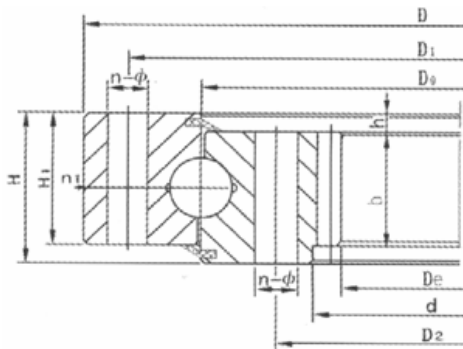
E-mail: rt@js-rt.com



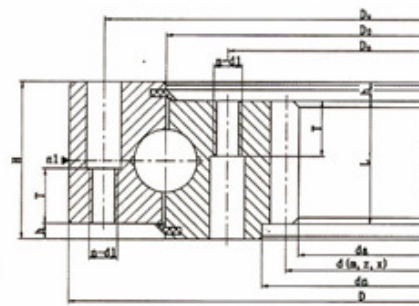
Single-Row Ball Slewing Ring bearing(Standard SeriesQ)



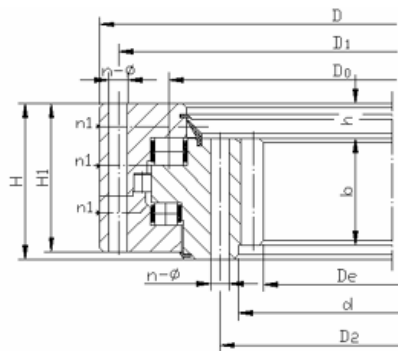
Single-Row Ball Slewing Ring bearing(Standard SeriesHS)



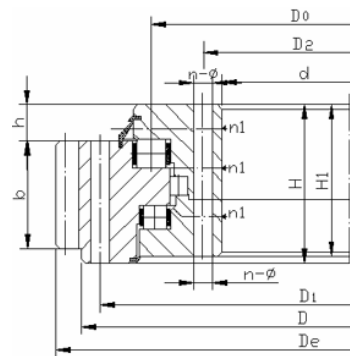
Single-Row Ball Slewing Ring bearing(Standard Series01)



Single-Row Ball Slewing Ring bearing(Standard SeriesHS)



Three-row rollers Slewing Bearing Standard Series (Standard SeriesS)



Three-row rollers Slewing Bearing Standard Series (Standard Series13)

	450.20A																5	570	113	330	67	43	52
5	500.20	590	407	593	410	60	555	445	14	17	M16	24	2	50	10	40	5	615	122	385	78	56	55
	6																624	103	378	64	58	57	
6	560.20	654	464	656	468	70	618	502	14	17	M16	30	2	60	10	50	4	680	169	440	111	78	76
	5																685	136	435	88	79	77	
7	630.20	724	534	726	538	70	688	572	16	17	M16	30	2	60	10	50	4	748	186	512	129	86	84
	5																755	150	505	102	88	86	
8	710.20	804	614	806	618	70	768	652	18	17	M16	30	2	60	10	50	5	835	166	585	118	99	97
	6																840	139	582	98	101	97	
9	800.20	894	704	896	708	70	858	742	20	17	M16	30	2	60	10	50	6	930	154	672	113	114	110
	8																936	116	664	84	114	111	
10	800.25	904	692	908	694	78	864	736	18	22	M20	36	2	68	10	58	6	942	156	654	110	143	142
	8																952	118	648	82	147	142	
11	900.25	1004	792	1008	794	78	964	836	20	22	M20	36	2	68	10	58	8	1048	130	744	94	162	163
	10																1060	105	740	75	168	162	
12	1000.25	1104	892	1108	894	78	1064	936	24	22	M20	36	2	68	10	58	8	1152	143	848	107	182	178
	10																1160	115	840	85	185	179	
13	1000.32	1120	876	1124	880	90	1074	926	24	24	M22	40	2	80	10	70	8	1160	144	832	105	227	230
	10																1170	116	830	84	232	227	
14	1120.32	1240	996	1244	1000	90	1194	1046	28	24	M22	40	4	80	10	70	10	1300	129	940	95	272	263
	12																1308	108	936	79	275	262	
15	1250.32	1370	1126	1374	1130	90	1324	1176	32	24	M22	40	4	80	10	70	10	1430	142	1070	108	302	294
	12																1440	119	1068	90	309	290	
16	1400.32	1520	1276	1524	1280	90	1474	1326	36	24	M22	40	4	80	10	70	12	1584	131	1212	102	337	333
	14																1596	113	1204	87	347	336	
17	1250.40	1390	1108	1394	1110	102	1336	1164	32	26	M24	45	4	90	12	80	10	1450	144	1050	106	396	388
	12																1452	120	1044	88	392	388	
18	1400.40	1540	1258	1544	1260	102	1486	1314	36	26	M24	45	4	90	12	80	12	1608	133	1188	100	448	444
	14																1610	114	1190	86	443	434	
19	1600.40	1740	1458	1744	1460	102	1686	1514	40	26	M24	45	4	90	12	80	12	1812	150	1392	117	528	509
	14																1820	129	1386	100	534	511	
20	1800.40	1940	1658	1944	1660	102	1886	1714	44	26	M24	45	4	90	12	80	14	2016	143	1582	114	583	576
	16																2032	126	1568	99	607	591	
21	1600.50	1762	1434	1766	1438	124	1704	1496	40	30	M27	50	4	112	12	100	12	1824	151	1368	115	714	714
	14																1834	130	1358	98	727	723	
22	1800.50	1964	1634	1966	1638	124	1904	1696	44	30	M27	50	4	112	12	100	14	2044	145	1568	113	845	794
	16																2048	127	1552	98	843	818	

23	2000.50	2162	1834	2166	1842	1242	2104	1896	48	30	M27	50	6	112	12	100	16	2240	139	1760	111	912	891
	2000.50A																18	2250	124	1746	98	927	913
24	2240.50	2402	2074	2406	2078	1242	2344	2136	54	30	M27	50	6	112	12	100	16	2480	154	1984	125	1020	1044
	2240.50A																18	2502	138	1980	111	1078	1041
25	2500.50		2334														18	2754	152	2250	126	1171	1132
	2500.50A	2662	20	2666	2342	1242	2604	2396	60	30	M27	50	6	112	12	100	18	2760	137	2240	113	1175	1148
26																							
	2500.60																18	2790	154	2214	124	1677	1621
2500.60A	20	2696	2304	2696	2308	1502	2626	2374	60	33	M30	56	6	136	14	122	20	2800	139	2200	111	1701	1654

4. Xuzhou Aosen Slewing Bearing Co.,Ltd

Brief Introduction:

Xuzhou Aosen Slewing Bearing Co., Ltd is located in Yunlong District, Xuzhou. It is the specialize company which design, develop and manufacture slewing ring bearings.

Main products are five series of slewing ring bearings: single-row spherical type, double-row spherical type, three-row spherical type, three-row rolling type and crossover rolling type. They are applied for all standards or non-standards specification ranged 195-3550mm. Aosen brand slewing ring bearings are used allover the country in excavators, truck cranes, tower cranes, environment protection machines and light industrial machines, but also exported to USA, Germany, India, Australia, Singapore, Spain etc.

Xuzhou Aosen Slewing Bearing Co., Ltd have the most advanced machine tools: NC lathe, NC sharpener, NC polar coordinate drill and NC slewing polar coordinate drill., and have the good machines and technicians which make our company grow up faster.

Contact:

Add:YUNLONG Section

Luotuoshan, Xuzhou. Jiangsu Province

Tel: +86-516-83668799 83667318

Fax: +86-516-83667328

Zip code: 221004

E-mail :xabc.china@163.com; sales@xabc.cn

5. Luoyang Zhuanpan Slewing Ring Co,Ltd.(LYZP)

Brief Introduction:

Luoyang Zhuanpan Slewing Ring Co,Ltd.(LYZP) is a manufacturer specialized in producing extra large bearings(diameter between400mm-5000mm), slewing bearings as well as non-standard special bearings.

The products are widely used in wind-power equipment, metallurgical and mining equipments, offshore equipments, construction machinery engineering machinery, etc..

Products:

·slewing ring

- single-row ball slewing ring
- two-row ball slewing ring
- cross-rolling pole slewing ring
- three-row pole slewing ring

Name: slewing ring



Name: single-row ball slewing ring



Name: two-row ball slewing ring



Name: three-row pole slewing ring



Name: cross-rolling pole slewing ring



Contact:

Address: Zhongzhou West Road No.111,Luoyang,Henan Province

Telephone: 86-379-64912018

Fax: 86-379-64812665

Email: lyzpz@gmail.com