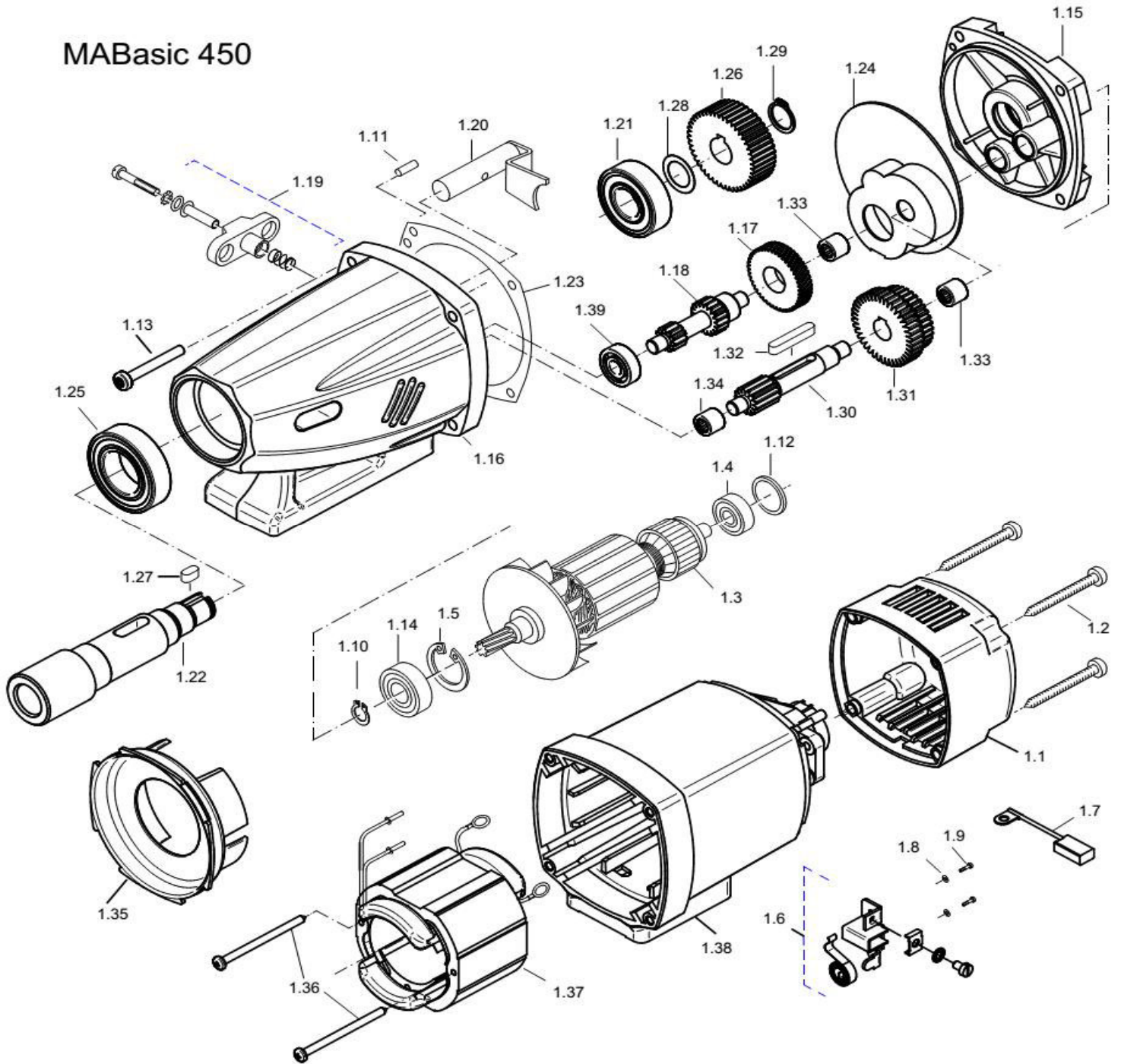
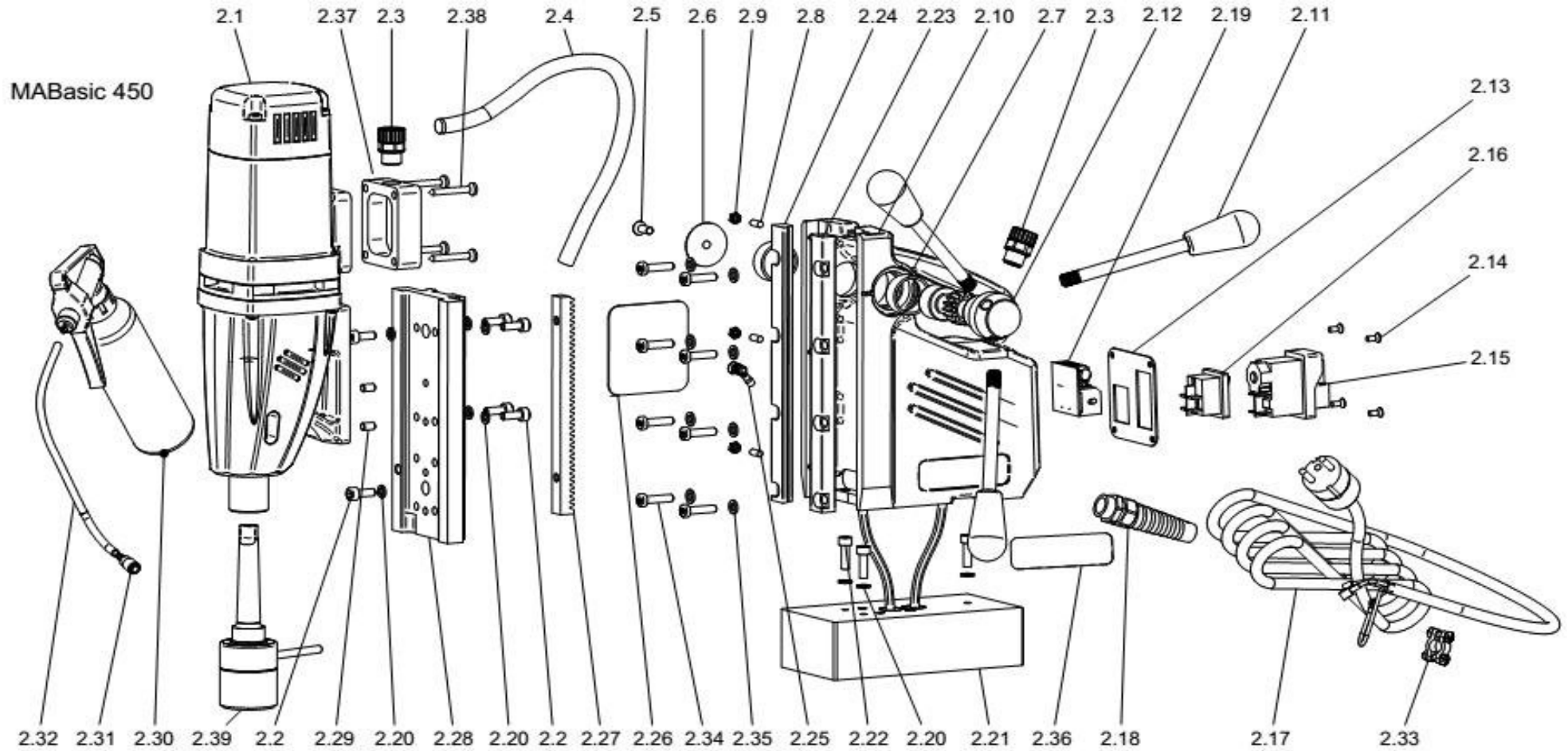


MABasic 450



Spare part list 2014
MABasic 450 Motor

Pos. No.	Article no.	Description	pc
1.1	5010691	Cap for motor housing	1
1.2	5010581	Screw HC 4,8x45 DIN 7981	4
1.3.1	5010661	Armature 110 V	1
1.3.2	5010651	Armature 230 V	1
1.4	5010061	Ball bearing 608 2Z	1
1.5	5010271	Circlip ring 28/1,2 DIN 472	1
1.6	5010561	Carbon brush holder	2
1.7	5010571	Carbon brush 6,3x10x18	2
1.8	5013981	Corrugated spring washer B4 DIN 137	4
1.9	5013991	Screw ZM4x12	4
1.10	5010711	Circlip ring 11/1 DIN 471	1
1.11	5010291	Pin M4x12 DIN 1474	1
1.12	5010591	O-Ring 22x2,5	1
1.13	5015231	Screw 50x40	4
1.14	5010081	Ball bearing 6001 2Z	1
1.15	5010731	Shield plate	1
1.16	5015331	Gear box housing	1
1.17	5010541	Intermedium wheel 34 teeth	1
1.18	5010421	Shaft with 2 pinions 19/11 teeth	1
1.19	5010521	Gear change complete	1
1.20	5010761	Clutch complete	1
1.21	5010611	Ball bearing 6203 2RS	1
1.22	5013471	Spindle	1
1.23	5015111	Gear box gasket	1
1.24	5010771	Shaft seal for grease chamber	1
1.25	5011191	Ball bearing 6005 2RS	1
1.26	5010621	Spindle wheel 45 teeth	1
1.27	5010751	Spring A5x5x12 DIN 6885	1
1.28	5010531	Washer 15x22x0,2 DIN 988	1
1.29	5010721	Circlip ring 15/1 DIN 471	1
1.30	5010411	Shaft for gear wheel 13 teeth	1
1.31	5010632	Gear wheel block 34/40 teeth	1
1.32	5010501	Spring A5x5x28 DIN 6885	1
1.33	5010351	Needle bearing HK 0810 DIN 625	2
1.34	5014591	Needle Bearing DL 0810	1
1.35	5010641	Air conducting ring	1
1.36	5010031	Screw HC 3,9 x 60 DIN 7981	2
1.37.1	5012741	Field coil 110 V	1
1.37.2	5010671	Field coil 230V	1
1.38	5010701	Motor housing complete	1
1.39	5010071	Ball bearing 608	1



Spare part list 2014
MABasic 450 Stand

Pos. No.	Article no.	Description	pc
2.1.1	5045021	Motor complete 110V	1
2.1.2	5045011	Motor complete 230V	1
2.2	6010011	Cylinder head bolt M6x16 DIN 912	6
2.3	7010021	Gland PG 9	2
2.4	7010001	Cable protection tube 440mm	1
2.5	6010231	Screw M6x16 ISO 7047	1
2.6	6010221	Washer for gear wheel 10,5x35x1,5	1
2.7	3020005	Slide bearing 28x32x12	2
2.8	6015431	Set screw M5x12 DIN 913	3
2.9	6010031	Nut M5 DIN 934	3
2.10	3020001	Housing for guide rails both sides screwed	1
2.11	6010243	Handle rod with knob	3
2.12	4010181	Gear shaft	1
2.13	7011811	Front plate	1
2.14	7010081	Screw M4x8 DIN 966	4
2.15	7010931	Actuator 110 V	1
2.15	7010801	Actuator 230V	1
2.16	7010142	Magnet switch, 4 connection terminals	1
2.17.1.1	7010052	Connection cable 110 V with GB-plug	1
2.17.2.1	7010051	Connection cable 110V with US-plug	1
2.17.1.2	7010042	Connection cable 230V complete with plug	1
2.18	7010031	Mains cable gland PG 11	1
2.19	7010812	Control board 110 V + 230 V, 6 connection terminals	1
2.20	6010021	Spring washer 6,1 DIN 7980	9
2.21	6010052	Magnet (electric) without indicator (3 holes)	1
2.22	6010091	Screw M6x20 DIN 912	3
2.23	6012262	Adjustment rail right, screwed	1
2.24	6012252	Adjustment rail left, screwed	1
2.25	7010061	Earthing complete	1
2.26	7021001	Cover of housing, back side	1
2.27	6010081	Rack	1
2.28	4000252	Dovetail carriage	1
2.29	4000101	Pin, hardened, 6m6x10 DIN 6325	2
2.30	7014221	Pump for coolant	1
2.31	ZSS 200K	Quick change coupling	1
2.32	ZSS 200STL	Cooling tube, transparent, 400 mm	1
2.33	4010291	Cord grip for connection cable	1
2.34	6050141	Screw M6x25 DIN 7984	8
2.35	6013441	Disc 6,4x11x1,6 DIN 433	8
2.36	7024501	Front label	1
2.37	6010391	Cover for motor connector	1
2.38	6010401	Chipboard screw 5 x 35 black chromated	4
2.39	ZIA 219-KN	Industrial arbor CM 2 for automatic lubrication - 19 mm weldon	1

