

SRAM

external drive train (mtb & road)

SRAM[®]

(english) **Spare parts catalog**

SRAM® ORIGINAL PARTS

CAUTION:

The SRAM Warranty policy does not cover damages caused by the use of non-SRAM parts.

Use only SRAM parts with SRAM components.


Installation of parts and accessories not originally intended could result in less than optimal performance and/or injury.

For in-depth service information on SRAM products, refer to our website at www.sram.com. Contact your local SRAM distributor or dealer for ordering information.

Information contained in this publication is subject to change at any time without prior notice. Your product's appearance may vary from the diagrams contained in this catalog.

TABLE OF CONTENTS


REAR DERAILLEURS - ROAD

	SRAM Red™	6
	SRAM Force™ / SRAM Rival™ / SRAM Apex	7

FRONT DERAILLEURS - ROAD

	SRAM Red	8
	SRAM Force / SRAM Rival / SRAM Apex	9


SHIFTERS / LEVERS - ROAD

	SRAM Red	10
	SRAM Force / SRAM Rival / SRAM Apex	11
	DoubleTap® Road Trigger Shifter	12
	Time Trial Brake Lever	13
	Time Trial Shifter	14


BRAKE CALIPERS - ROAD

	SRAM Red	15
	SRAM Force / SRAM Rival / SRAM Apex	16


CRANKS - ROAD

	SRAM Red	17
	SRAM Force	17
	SRAM Rival	17
	SRAM Apex	17
	300 / 500 / 550 / 900 / 950	17

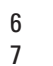
CASSETTES & CHAINRINGS - ROAD

	Chainrings / BB	18
	PG 1050	19
	OG 1070	19
	OG 1090	19


WHEELS - ROAD

	Spokes/Nipples/Hubs	20
	Freehub Bodies	20
	Decals	20
	Tools	20

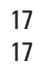
REAR DERAILLEURS - MTB

	XX (2010-2012) 2x10	21
	X0 / X9 / X7 (2011-2012) 2x10, 3x10	22
	X0 (2006-2009) 3x9	23
	X9 / X7 (2010) 3x9	24
	X9 (2007-2009) 3x9	25
	X9 / X7 DualDrive 27 (2005-2006) 3x9	26
	X7 (2007-2009) 3x9	27
	X9 / SRAM X7 (-2004) 3x9	28
	9.0SL / 9.0 / 7.0 / 5.0 / DualDrive 27 (-2004)	28
	X5 / X4 (2008-2009)	29
	SX5 / SX4 / DualDrive 24 / DualDrive 21 (2006-2009)	29
	5.0 / 4.0 / 3.0 / DualDrive 24 / DualDrive 21	30

FRONT DERAILLEURS - MTB

	XX 2x10	31
	X0 / X9 2x10, 3x10	32
	X9 3x9	33
	X5 / X7 / X-Gen™	34


TRIGGER SHIFTERS - MTB

	XX 2x10	35
	X0™ 2x10, 3x10	36
	X0 3x9	37
	X9 / X7 / X5 2x10, 3x10	38
	X9™ (2007-2010) 3x9	39
	X7™ (2010) 3x9	40
	X7 (2007-2009) / X9 (2006) 3x9	41
	X9 (2005) / X7 (2005-2006) / X5™ / X-Gen (08-09) 3x9	42
	X4™ / SX4™ / TRX™	43

TWIST SHIFTERS - MTB

	X0 / X9 / X7	44
	5.0 / Centera	45
	3.0 Comp / 3.0 / MRX Comp / MRX	46

CRANK / CHAINRINGS

	XX Crank, Chainrings, Cassette 2x10	47
	Truativ X0 Chain Guides	48
	X0 / X9 / X7 Crank, Chainrings, Cassette 2x10, 3x10	49


CASSETTES - BOTTOM BRACKETS

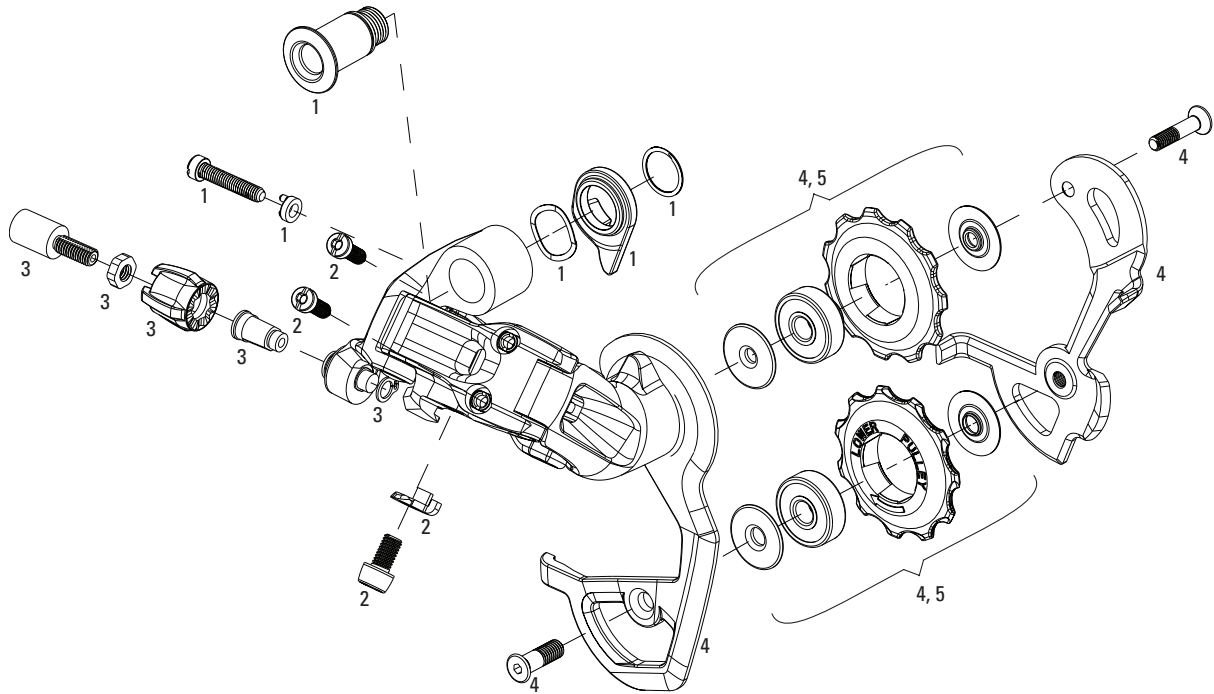
	PG 990, PG 980, PG 970, PG 950	50
---	--------------------------------	----

HUBS - MTB

	406	51
	506	52
	X7	53
	X9	54

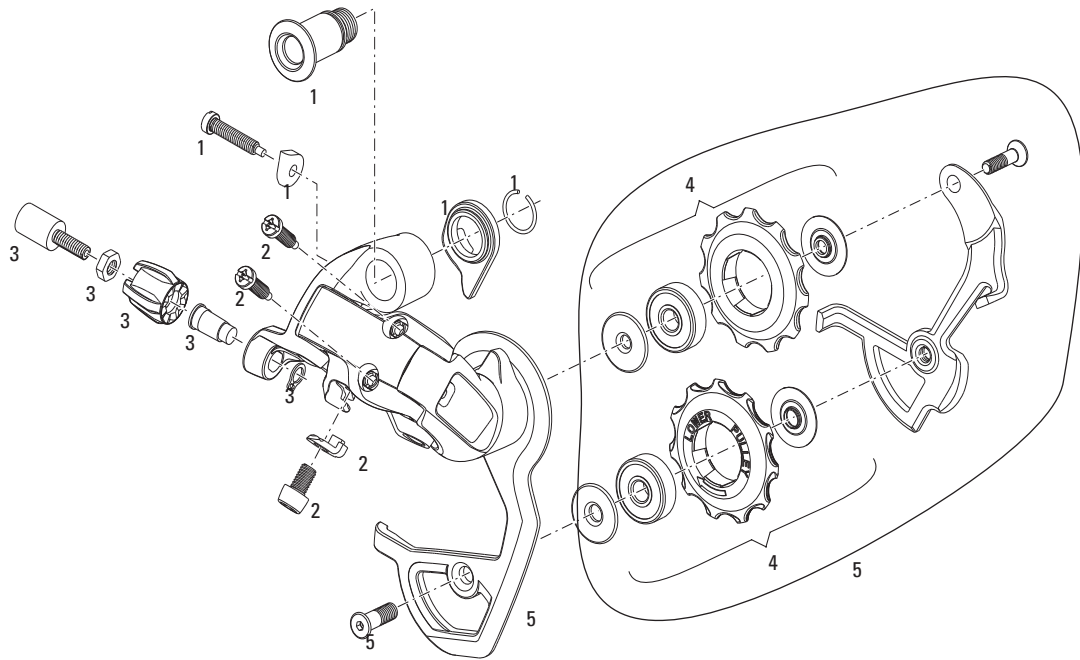
WHEELS - MTB

	Spokes/Nipples/Quick Release Axles	55
	Conversion Caps/Tools/Decals	55



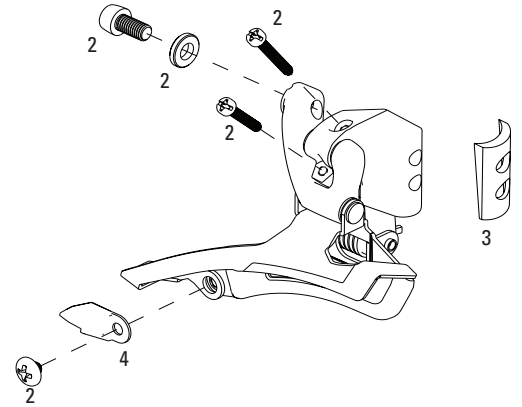
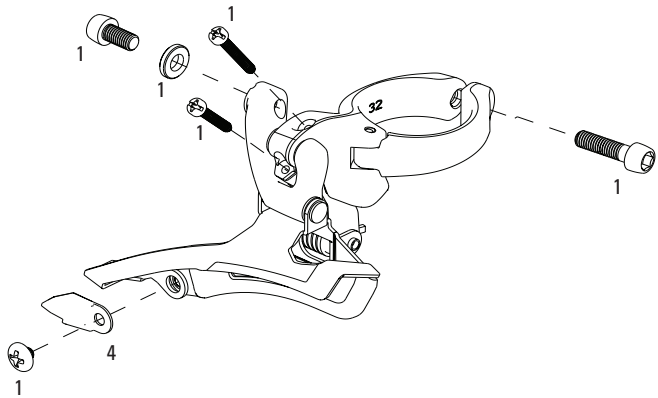
No. Part Number Description

1	11.7515.016.000	Red Rear Derailleur B-Bolt Kit
2	11.7515.017.000	Red Rear Derailleur Cable Anchor/Limit Screw
3	11.7515.018.000	Red Rear Derailleur Barrel Adjuster Kit
1	11.7515.068.000	Red Black Rear Derailleur B-Bolt Kit
2	11.7515.069.000	Red Black Rear Derailleur Cable Anchor/Limit Screw
3	11.7515.070.000	Red Black Rear Derailleur Barrel Adjuster Kit
4	11.7515.020.000	Red Rear Derailleur Cage/Pulley Kit (Ceramic Pulleys, Inner And Out Cages)
5	00.7915.016.000	BlackBox Ceramic Bearing Pulleys – Road
ns	11.7515.034.000	Rear Derailleur Limit Screw Plugs Qty 10 (Red, Force, Rival, X-0)



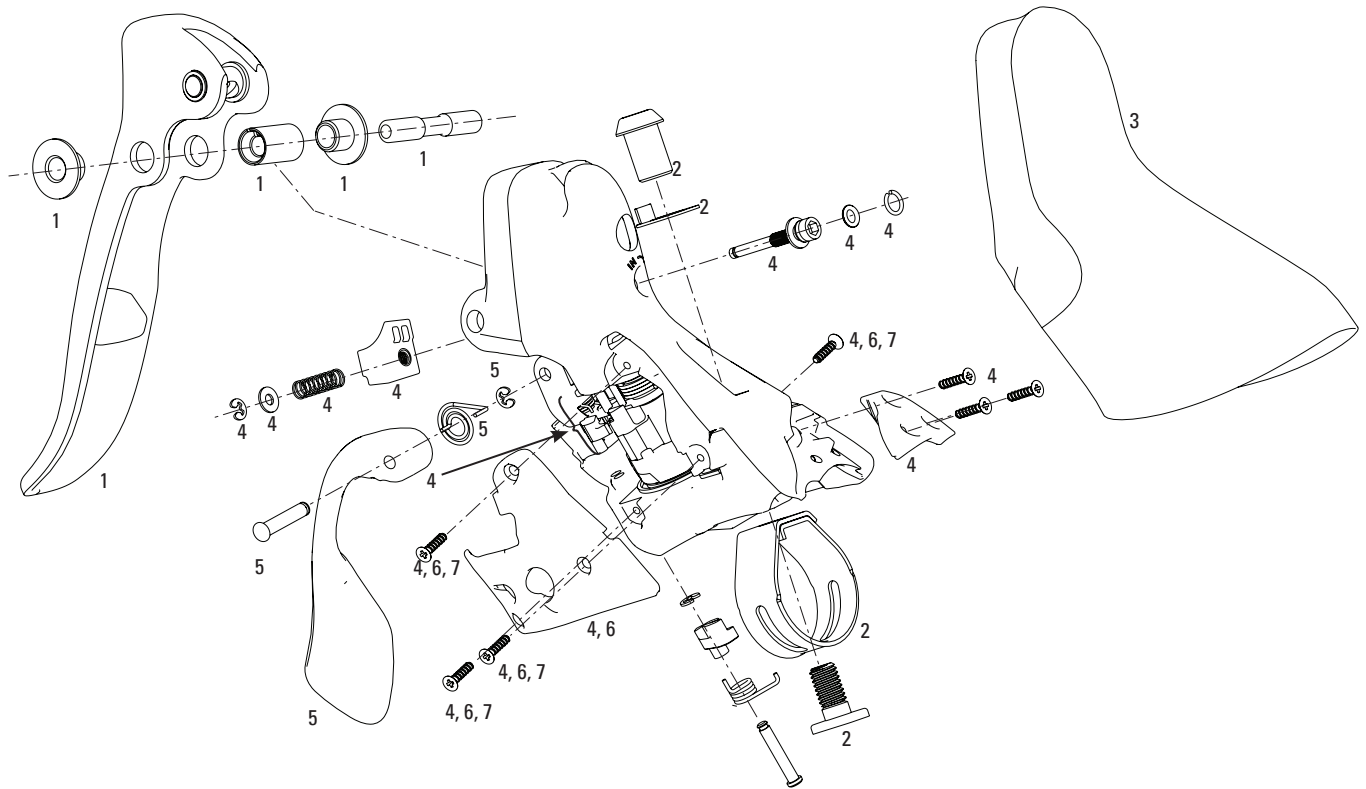
No. Part Number Description

1	11.7515.035.000	Apex/Rival/Force Rear Derailleur B-Bolt Kit
2	11.7515.001.000	Rival/Force Rear Derailleur Cable Anchor/Limit Screw
2	11.7515.061.000	Force Rear Derailleur Cable Anchor/Limit Screw
2	11.7515.046.000	11 Rear Derailleur Rival Medium / Apex Cable Limit Kit
3	11.7515.005.000	Apex/Rival/Force Rear Derailleur Barrel Adjuster Kit
4	11.7515.060.000	Force Rival Apex Rear Derailleur Pulley Kit
5	11.7515.059.000	Apex Short Rear Derailleur Cage/Pulley Complete Kit
5	11.7515.059.010	Apex Medium Rear Derailleur Cage/Pulley Complete Kit
5	11.7515.033.010	Rival Rear Derailleur Cage/Pulley Complete Kit Silver
5	11.7515.033.020	Rival Rear Derailleur Cage/Pulley Complete Kit Blk
5	11.7515.033.040	Rival Medium Rear Derailleur Cage/Pulley Complete Kit
5	11.7515.033.000	Force Rear Derailleur Cage/Pulley Complete Kit
5	11.7515.033.030	2010 Force Rear Derailleur Cage/Pulley Complete Kit
ns	11.7515.034.000	Rear Derailleur Limit Screw Plugs Qty 10 (Red, Force, Rival, X-0)



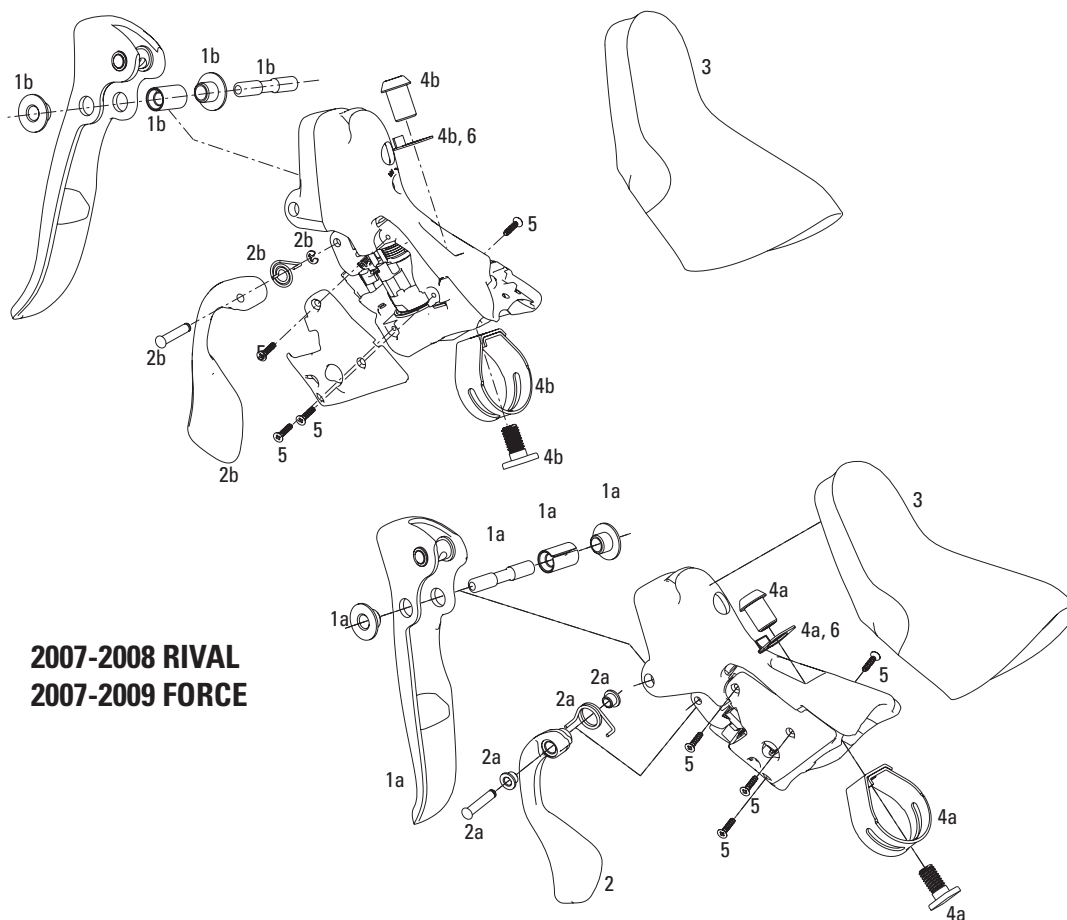
No. Part Number Description

- 1 11.7615.000.000 Apex/Rival/Force Front Derailleur Bolt/Screw Kit (Clamp)
- 2 11.7615.003.000 Apex/Rival/Force Front Derailleur Bolt/Screw Kit (Braze)
- 3 11.7615.011.000 Rival/Force Slanted Adjustment Washer Front Derailleur Braze Qty 1
- 4 11.7615.009.000 Rival/Force Front Derailleur Chainguide, Cage, Qty 1



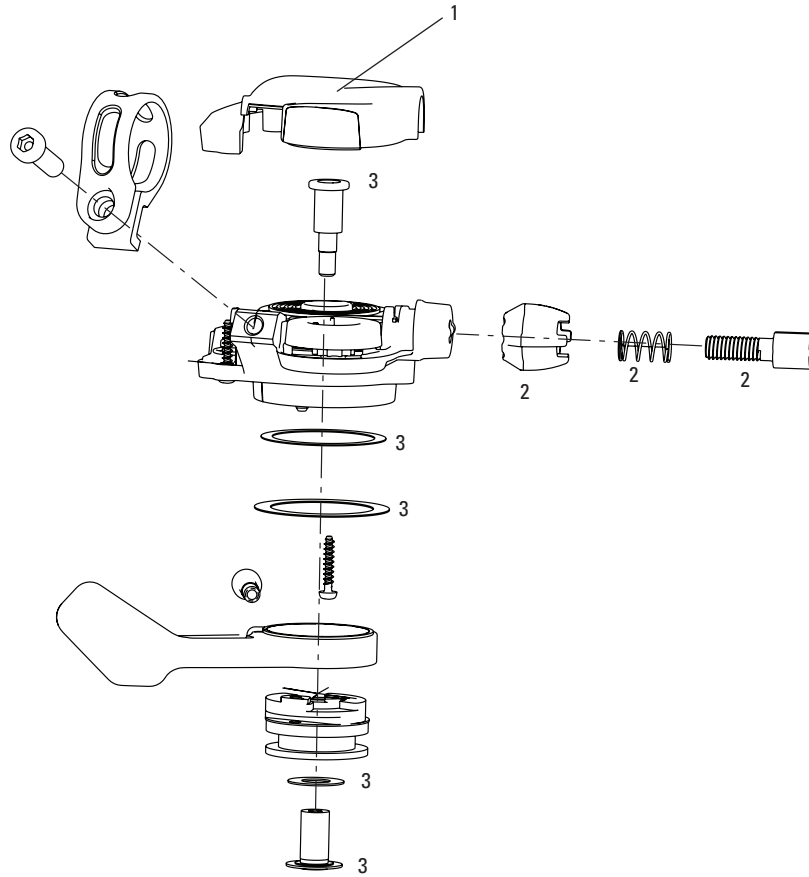
No. Part Number Description

1	11.5215.026.000	Red Brake Lever Assy Kit, Left
1	11.5215.026.010	Red Brake Lever Assy Kit, Right
2	11.7015.050.000	09-11 Road Shifter Clamp Kit, Pair
3	11.7915.000.000	Rival/Force/Red Hood Cover Black R/L
4	11.7015.039.000	Red Shifter Body Assy Left
4	11.7015.039.010	Red Shifter Body Assy Right
5	11.7015.040.000	Red Shifter Lever Assy Left
5	11.7015.040.010	Red Shifter Lever Assy Right
6	11.7015.041.000	Red Shifter Hatch/Screw Right/Left
7	11.7015.004.000	Rival/Force/Red Shifter Hatch Screw, Qty 4
ns	11.7015.065.000	Shifter Spring, Right, RED (Qty 5)
ns	11.7015.065.010	Shifter Spring, Left, RED (Qty 5)



2007-2008 RIVAL
2007-2009 FORCE

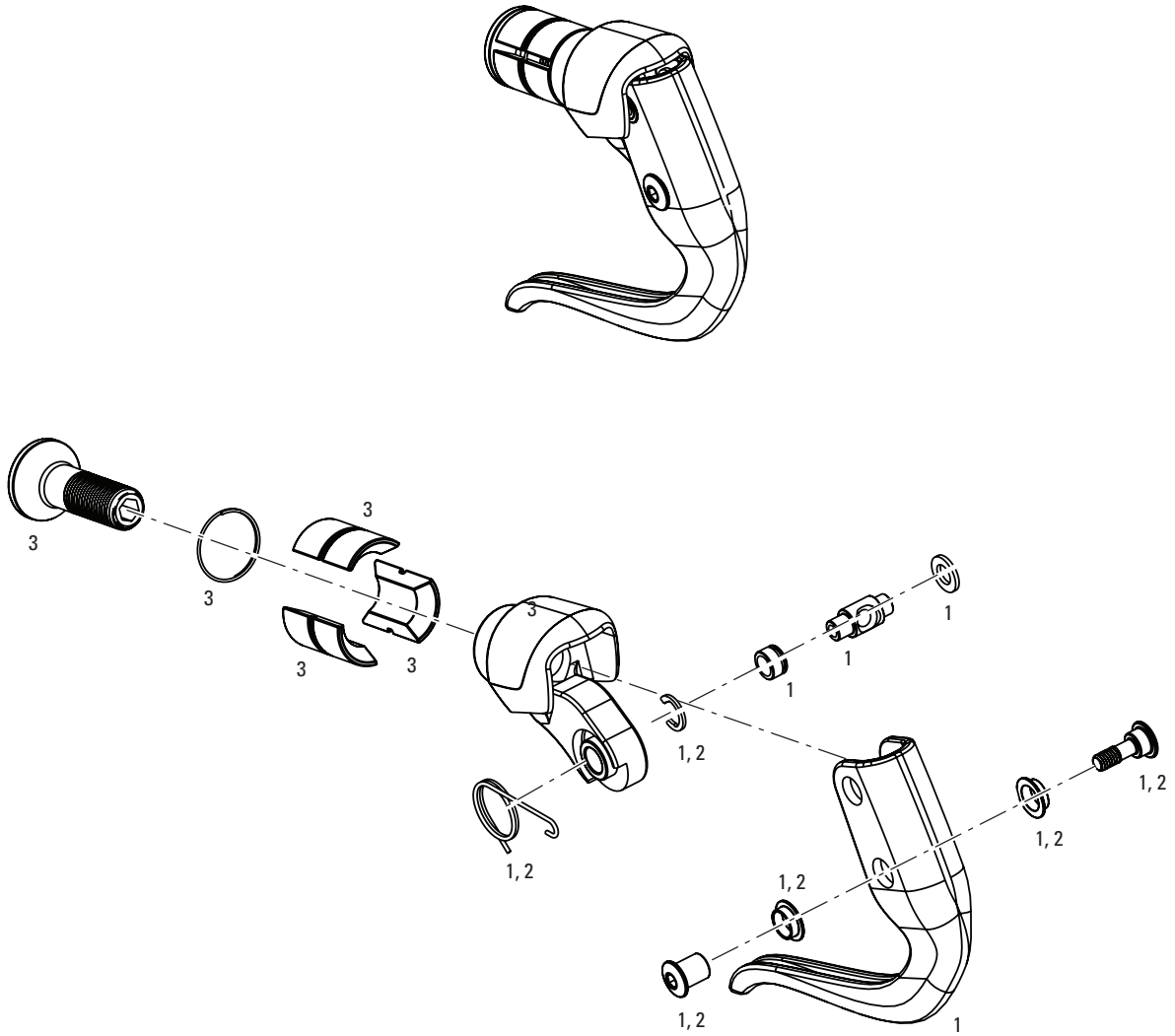
No.	Part Number	Description
1a	11.7015.052.080	2010 Force Brake Lever Assy Kit Left
1a	11.7015.052.090	2010 Force Brake Lever Assy Kit Right
1a	11.7015.052.000	11 Rival Brake Lever Assy Kit, Left
1a	11.7015.052.010	11 Rival Brake Lever Assy Kit, Right
1b	11.7015.071.000	11 Apex Brake Lever Assembly Left
1b	11.7015.071.010	11 Apex Brake Lever Assembly Right
2a	11.7015.052.100	2010 Force Shift Lever Assy Kit Left
2a	11.7015.052.110	2010 Force Shift Lever Assy Kit Right
2b	11.7015.052.040	09-11 Apex/Rival Shift Lever Assy Kit, Left
2b	11.7015.052.050	09-11 Apex/Rival Shift Lever Assy Kit, Right
2b	11.7015.073.000	12 Apex White Shift Lever Assy Kit, Left
2b	11.7015.073.010	12 Apex White Shift Lever Assy Kit, Right
3	11.7915.000.000	Rival/Force/Red Hood Cover Black R/L
4a	11.7015.000.000	07-08 Rival/Force Shifter Clamp Kit, Pair
4b	11.7015.050.000	09-11 Road Shifter Clamp Kit, Pair
5	11.7015.004.000	Rival/Force/Red Shifter Hatch Screw, Qty 4
6	11.7015.026.000	Rival/Force Shifter/Brake Clamp Bolt Washer, Qty 2
ns	11.7915.002.000	Rival/Force Cable Downtube Barrel Adjuster (R/L)
ns	11.7015.065.020	Shifter Spring, Right, Force/Rival (Qty 5)
ns	11.7015.065.030	Shifter Spring, Left, Force/Rival (Qty 5)



No. Part Number Description

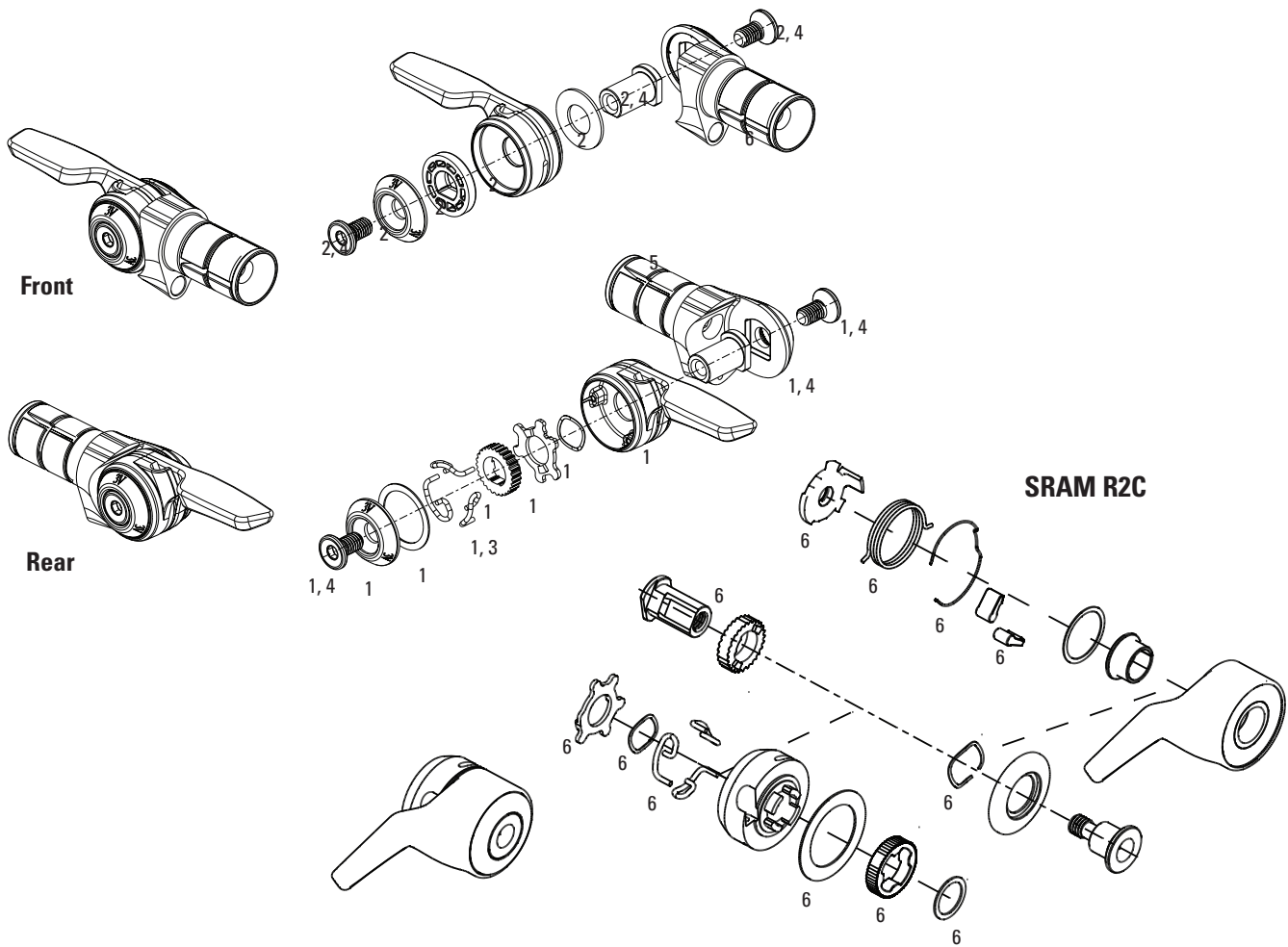
- 1 11.7015.045.000 Doubletap Shifter Lens L/R
- 2 11.7015.024.000 07-09 X0/X9 Trigger Barrel Adjuster Qty 2 (M6, 3PC)
- 3 00.0000.200.930 X0 Trigger Service Kit, Qty 1

TIME TRIAL BRAKE LEVER (2008-2012)



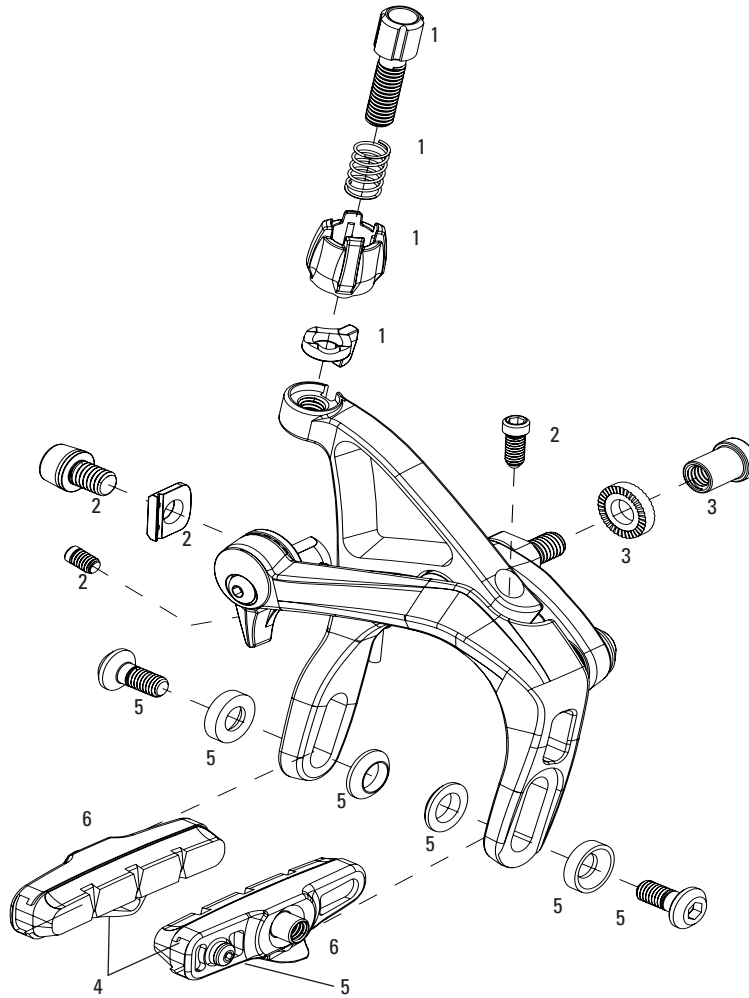
No.	Part Number	Description
-----	-------------	-------------

1	11.5215.023.000	TT900 Brake Lever Blade Kit Qty 1
1	11.5215.028.000	TT500 Brake Lever Blade Kit Qty 1
2	11.5215.024.000	TT900, TT500 Brake Lever Hardware Kit Qty 1
3	11.5215.025.000	TT900, TT500 Brake Lever Housing Kit Qty 1



No. Part Number Description

1	11.7015.034.000	TT900 Shifter Lever Assy Rear
1	11.7015.035.000	TT900 Shifter Lever Assy Front
2	11.7015.036.000	TT900, TT500 Shifter Spring Kit Rear
3	11.7015.037.000	TT900, TT500 Shifter Screw Kit F/R
4	11.7015.038.000	TT900, TT500 Bar Lock Assy Rear
5	11.7015.038.010	TT900, TT500 Bar Lock Assy Front
6	11.7015.075.000	R2C Shifter Front/Rear Service Kit

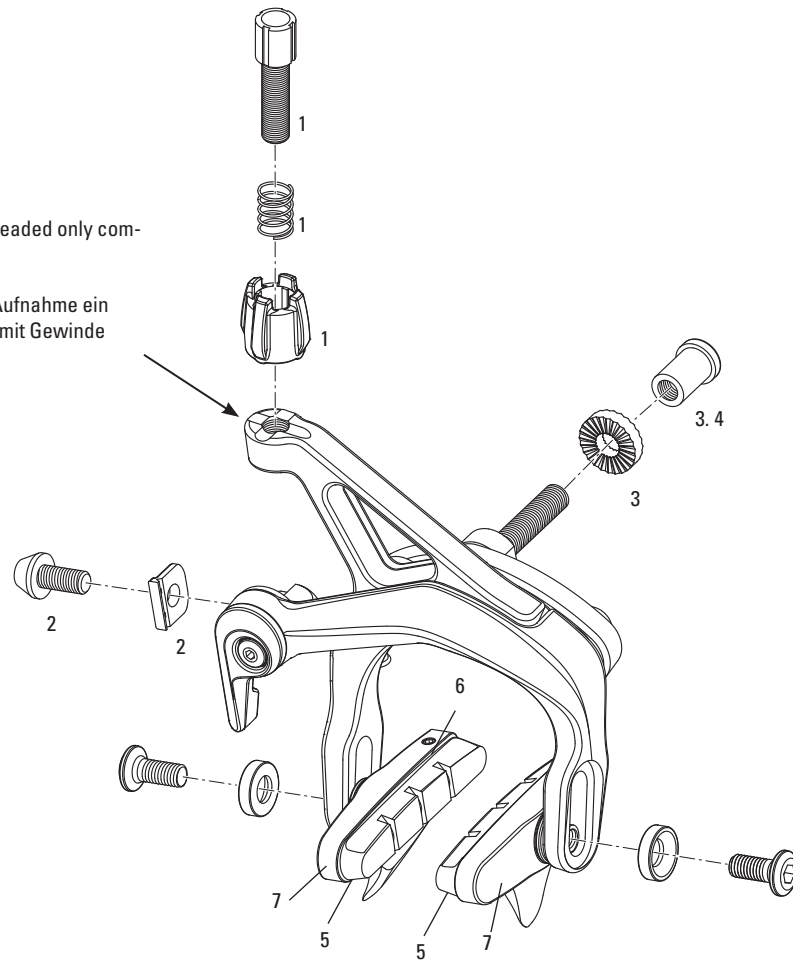


No. Part Number Description

1	11.5415.016.000	Red/11 Force Brake Barrel Adjuster
2	11.5415.017.010	Red/Force Brake Cable Clamp Bolt/Adjuster Screws, Qty 1
2	11.5415.017.030	Red Black Brake Cable Clamp Bolt/Adjuster Screws, Qty 1
3	11.5415.018.000	Red Brake Center Nut/Washer (10, 12, 14, 16, 18, 20, 22, 30)
4	11.5115.000.000	Brake Pad Insert SRAM Road Qty 2
4	11.5115.000.010	Brake Pad Insert for Carbon Rim SRAM Road Qty 2
5	11.5415.022.000	Red Brake Pad Harear Derailleurware, Qty 2
6	00.5315.013.040	Brake Pad/Holder Red Pair
6	00.5315.013.050	Brake Pad/Holder Red Black Pair

Check brake caliper before ordering. Threaded only compatible with threaded barrel adjusters.

Prüfen Sie vor einer Bestellung: hat die Aufnahme ein Gewinde, so ist nur die Einstellschraube mit Gewinde kompatibel.



No. Part Number Description

1	11.5315.042.000	Apex/Rival/Force Brake Barrel Adjuster Threaded, Qty 1
1	11.5415.016.000	Red/11 Force Brake Barrel Adjuster
2	11.5415.005.000	Rival/09 Force Brake Cable Clamp Bolt, Qty 1
3	11.5415.006.000	Rival/Force Brake Center Nut/Washer Kit, Qty 1
4	11.5415.007.000	Rival/Force Brake Center Nut Set (12, 16, 20, 30)
5	11.5115.000.000	Brake Pad Insert SRAM Road Qty 2
6	11.5115.003.000	Rival/Force Brake Pad Set Screw, Qty 2 (Mid-2007 And Later)
7	00.5315.013.030	Brake Pad/Holder Force Pair
7	00.5315.016.000	Brake Pad/Holder Rival Black Pair
7	00.5315.016.010	Brake Pad/Holder Apex Pair



Part Number	Description
11.6115.537.000	Left Arm Apex GXP 165 Mirror Black
11.6115.537.010	Left Arm Apex GXP 170 Mirror Black
11.6115.537.020	Left Arm Apex GXP 172.5 Mirror Black
11.6115.537.030	Left Arm Apex GXP 175 Mirror Black
11.6115.537.040	Left Arm Apex GXP 180 Mirror Black
11.6115.549.000	Left Arm Apex GXP 165 White
11.6115.549.010	Left Arm Apex GXP 170 White
11.6115.549.020	Left Arm Apex GXP 172.5 White
11.6115.549.030	Left Arm Apex GXP 175 White
11.6115.549.040	Left Arm Apex GXP 180 White
11.6115.012.000	Rival OCT/OCT C 165 Left Arm Silver
11.6115.013.000	Rival OCT/OCT C 170 Left Arm Silver
11.6115.014.000	Rival OCT/OCT C 172.5 Left Arm Silver
11.6115.015.000	Rival OCT/OCT C 175 Left Arm Silver
11.6115.016.000	Rival OCT/OCT C 177.5 Left Arm Silver
11.6115.017.000	Rival OCT/OCT C 180 Left Arm Silver
11.6115.504.220	Left Arm Rival OCT 165 Black
11.6115.504.230	Left Arm Rival OCT 170 Black
11.6115.504.240	Left Arm Rival OCT 172.5 Black
11.6115.504.250	Left Arm Rival OCT 175 Black
11.6115.504.260	Left Arm Rival OCT 177.5 Black
11.6115.504.270	Left Arm Rival OCT 180 Black
11.6115.504.060	2010 Force GXP Left Crank Arm 170
11.6115.504.070	2010 Force GXP Left Crank Arm 172.5
11.6115.504.080	2010 Force GXP Left Crank Arm 175
11.6115.504.090	2010 Force GXP Left Crank Arm 177.5
11.6115.504.160	2010 Force BB30 Left Crank Arm 165
11.6115.504.170	2010 Force BB30 Left Crank Arm 167.5
11.6115.504.180	2010 Force BB30 Left Crank Arm 170
11.6115.504.190	2010 Force BB30 Left Crank Arm 172.5
11.6115.504.200	2010 Force BB30 Left Crank Arm 175
11.6115.504.210	2010 Force BB30 Left Crank Arm 177.5
11.6115.504.000	Red 165 GXP Left Arm
11.6115.504.010	Red 167.5 GXP Left Arm
11.6115.504.020	Red 170 GXP Left Arm
11.6115.504.030	Red 172.5 GXP Left Arm
11.6115.504.040	Red 175 GXP Left Arm
11.6115.504.050	Red 177.5 GXP Left Arm
11.6115.504.100	Red BB30 Left Crank Arm 165
11.6115.504.110	Red BB30 Left Crank Arm 167.5
11.6115.504.120	Red BB30 Left Crank Arm 170
11.6115.504.130	Red BB30 Left Crank Arm 172.5
11.6115.504.140	Red BB30 Left Crank Arm 175
11.6115.504.150	Red BB30 Left Crank Arm 177.5
11.6115.504.280	Red 170 BB30 Left Arm (Cannondale)
11.6115.504.290	Red 172.5 BB30 Left Arm (Cannondale)
11.6115.504.300	Red 175 BB30 Left Arm (Cannondale)
11.6115.538.000	Left Arm S100 / S150 170 Power Spline Blast Black
11.6115.538.010	Left Arm S100 / S150 172.5 Power Spline Blast Black
11.6115.538.020	Left Arm S100 / S150 175 Power Spline Blast Black
11.6115.503.030	Left Arm S300 Crank Arm GXP 165 Mirror Black
11.6115.503.040	Left Arm S300 Crank Arm GXP 170 Mirror Black
11.6115.503.050	Left Arm S300 Crank Arm GXP 172.5 Mirror Black
11.6115.503.060	Left Arm S300 Crank Arm GXP 175 Mirror Black
11.6115.503.070	Left Arm S300 Crank Arm GXP 177.5 Mirror Black
11.6115.503.080	Left Arm S300 Crank Arm GXP 180 Mirror Black
11.6115.444.120	Left Arm S500/550 GXP 165 Mirror Black
11.6115.444.130	Left Arm S500/550 GXP 165 Silver Polish
11.6115.444.140	Left Arm S500/550 GXP 170 Mirror Black
11.6115.444.150	Left Arm S500/550 GXP 170 Silver Polish
11.6115.444.160	Left Arm S500/550 GXP 172.5 Mirror Black
11.6115.444.170	Left Arm S500/550 GXP 172.5 Silver Polish
11.6115.444.180	Left Arm S500/550 GXP 175 Mirror Black
11.6115.444.190	Left Arm S500/550 GXP 175 Silver Polish
11.6115.444.200	Left Arm S500/550 GXP 177.5 Mirror Black
11.6115.444.210	Left Arm S500/550 GXP 177.5 Silver Polish
11.6115.444.220	Left Arm S500/550 GXP 1180 Mirror Black
11.6115.444.230	Left Arm S500/550 GXP 180 Silver Polish
11.6115.504.310	Left Arm S900/S950 GXP 170 Carbon
11.6115.504.320	Left Arm S900/S950 GXP 172.5 Carbon
11.6115.504.330	Left Arm S900/S950 GXP 175 Carbon
11.6115.504.340	Left Arm S900/S950 GXP 177.5 Carbon
11.6115.560.010	Left Arm S900/950 BB30 170 Carbon
11.6115.560.020	Left Arm S900/950 BB30 172.5 Carbon
11.6115.560.030	Left Arm S900/950 BB30 175 Carbon
11.6115.560.040	Left Arm S900/950 BB30 177.5 Carbon



Part Number	Description
11.6215.045.000	Chain Ring Road 34T V1 110 Alum 3mm Tungsten Grey (50-34)
11.6215.041.000	Chain Ring Road 36T V3 110 Alum 3mm Tungsten Grey (50-36, 52-36)
11.6215.191.010	Chain Ring Road 38T B V1 110 Alum 3mm Tungsten Grey (52-38)
11.6215.102.000	Chain Ring Road 38T V1 130 Alum 3mm Tungsten Grey (46-38, 52-38)
11.6215.079.000	Chain Ring Road 39T V2 130 Alum 3mm Tungsten Grey (53-39, 48-39)
11.6215.191.000	Chain Ring Road 42T B V3 130 Alum 3mm Tungsten Grey (55-42, 54-42)
11.6215.101.000	Chain Ring Road 46T V1 130 Alum 4mm Tungsten Grey (46-38)
11.6215.192.000	Chain Ring Road 48T V1 110 Alum 4mm Tungsten Grey (48-34)
11.6215.103.000	Chain Ring Road 48T V1 130 Alum 4mm Tungsten Grey (48-39)
11.6215.032.000	Chain Ring Road 50T A V4 110 Alum 4mm Tungsten Grey (50-36)
11.6215.189.010	Chain Ring Road 50T B S1 110 Alum 4mm Tungsten Grey (50-34) Red
11.6215.037.000	Chain Ring Road 50T B V2 110 Alum 4mm Tungsten Grey (50-34)
11.6215.189.030	Chain Ring Road 52T C S1 110 Alum 4mm Tungsten Grey (52-36, 52-38) Red
11.6215.189.020	Chain Ring Road 53T S1 130 Alum 4mm Tungsten Grey Red Sprinter
11.6215.189.070	Chain Ring Road 53T S1 130 Alum 4mm Tungsten Grey Red TT
11.6215.069.000	Chain Ring Road 53T V4 130 Alum 4mm Tungsten Grey
11.6215.189.050	Chain Ring Road 54T S1 130 Alum 4mm Tungsten Grey Red TT
11.6215.189.060	Chain Ring Road 55T S1 130 Alum 4mm Tungsten Grey Red TT
11.6215.172.000	Chain Ring SS/Road 44T 130 Alum 3mm Blast Black
11.6215.173.000	Chain Ring SS/Road 48T 130 AL3 Tungsten Grey
11.6215.184.000	Chain Ring Track Omnium 48T Alum 5mm Tungsten Grey
11.6215.198.000	Chain Ring Road Red 53T S1 130 Alum 4mm Black
11.6215.198.010	Chain Ring Road Red 50T S1 110 Alum 4mm Black(50-34)
11.6215.198.020	Chain Ring Road Red 53T S1 130 Alum 4mm Black TT
11.6215.198.030	Chain Ring Road Red 54T S1 130 Alum 4mm Black TT
11.6215.198.040	Chain Ring Road Red 55T S1 130 Alum 4mm Black TT
11.6215.198.050	Chain Ring Road Red 52T S1 110 Alum 4mm Black (52-36, 52-38)
11.6215.197.030	Chain Ring Road 53T V4 130 Alum 4mm Black
11.6215.197.040	Chain Ring Road 52T B Triple V2 130 Alum 4mm Black (52-39-30)
11.6215.197.050	Chain Ring Road 50T A V4 110 Alum 4mm Black (50-36)
11.6215.197.060	Chain Ring Road 50T B V2 110 Alum 4mm Black (50-34)
11.6215.197.070	Chain Ring Road 50T Triple V1 130 Alum 4mm Black (50-39-30)
11.6215.197.080	Chain Ring Road 48T V2 110 Alum 4mm Black BB30 Short Pin (48-34)
11.6215.197.090	Chain Ring Road 48T V2 110 Alum 4mm Black GXP Long Pin (48-34)
11.6215.197.100	Chain Ring Road Track Omnium 48T V1 144 Alum 5mm Black
11.6215.197.110	Chain Ring SS/Road Track 48T V1 130 AL3 Black
11.6215.197.120	Chain Ring Road 46T V1 130 Alum 4mm Black (46-38)
11.6215.197.000	Chain Ring Road 42T B V3 130 Alum 3mm Black (55-42, 54-42)
11.6215.197.010	Chain Ring Road 39T V2 130 Alum 3mm Black (53-39, 48-39)
11.6215.197.130	Chain Ring Road 39T V4 130 Triple Alum 3mm Black (52-39-30, 50-39-30)
11.6215.197.140	Chain Ring Road 38T V1 130 Alum 3mm Black (46-38)
11.6215.197.150	Chain Ring Road 38T V1 110 Alum 3mm Black (52-38)
11.6215.197.160	Chain Ring Road 36T V3 110 Alum 3mm Black (50-36, 52-36 46-36)
11.6215.197.020	Chain Ring Road 34T V1 110 Alum 3mm Black (50-34)
11.6215.197.170	Chain Ring Road 30T Triple V4 74 Alum Black (52-39-30, 50-39-30)
11.6215.197.180	Chain Ring Road 46t S1 110 Alum 4mm Black Long Pin (Force GXP, Rival, Apex, S350, S550)
11.6215.197.190	Chain Ring Road 46t S1 110 Alum 4mm Black Short Pin (Red, Force, BB30, S950)
11.6415.007.000	Bottom Bracket Shield and Wave Washer Assembly PressFit GXP Road
11.6415.007.020	Bottom Bracket Shield and Wave Washer Assembly BB30 Bearing

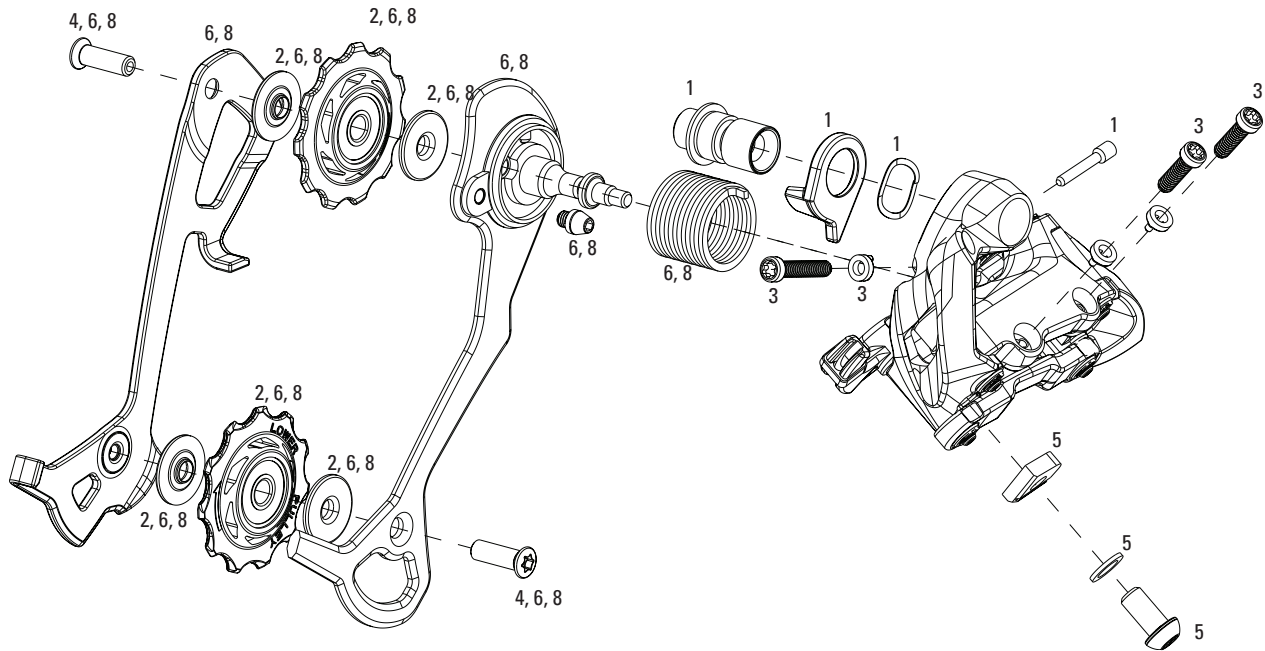
CASSETTES, CHAINRINGS, BB - ROAD



Part Number	Description
11.6115.547.000	Spider S900 130BCD 10Speed Blast Black
11.6115.547.010	Spider S950 110BCD 10Speed Blast Black
11.6915.009.000	Chain Ring Bolt Kit 5-arm Double Aluminum Black
11.6915.008.000	Chain Ring Bolt Kit 5-arm Double Aluminum Silver
11.6915.012.000	Chain Ring Bolt Kit 5-arm Double Steel Black
11.6900.002.160	Crank Arm Bolt M15/M26 Alloy Self-Extracting GXP Black Qty 1
11.6900.002.140	Crank Arm Bolt M15/M26 Alloy Self-Extracting GXP Silver Qty 1
11.6115.115.000	Crank Arm Bolts M8 Capless Qty 2 for Square-taper & PowerSpline
11.6900.002.050	Crank Arm Bolts M15 Capless Qty 2 for ISIS & Hwtzr M15
11.6115.530.050	Crank Arm Bolt M18/M30 Alloy Self-Extracting BB30 Left (Red, Force) Qty 1
11.2415.013.000	Cassette Lockring Aluminum OG1070, PG970 For 12T
11.2415.027.000	Cassette PG1050, PG1030, PG950 Lockring 11T Steel
11.2415.027.010	Cassette PG1050, PG950 Lockring 12T Steel
11.2415.026.000	XX, PG1099, PG1080, PG999, PG990, PG970 OG1090, OG1070 Cassette Lockring 11T Aluminum
11.2415.022.000	Cassette Lockring Aluminum PG990, PG970 DH for 11T Red
00.6415.032.010	Tool BB30 to BSA Adapter Removal Kit
00.6415.032.020	BB30 Bearing Install Kit
00.6415.032.030	BB30 Bearing Removal Tool
11.6415.003.000	BB30 Shim/Wave Washer Kit
11.6215.195.000	Aeroguard Via 48T Clear Smoke
11.6700.002.010	Pedal Washers Chromo, Qty 2



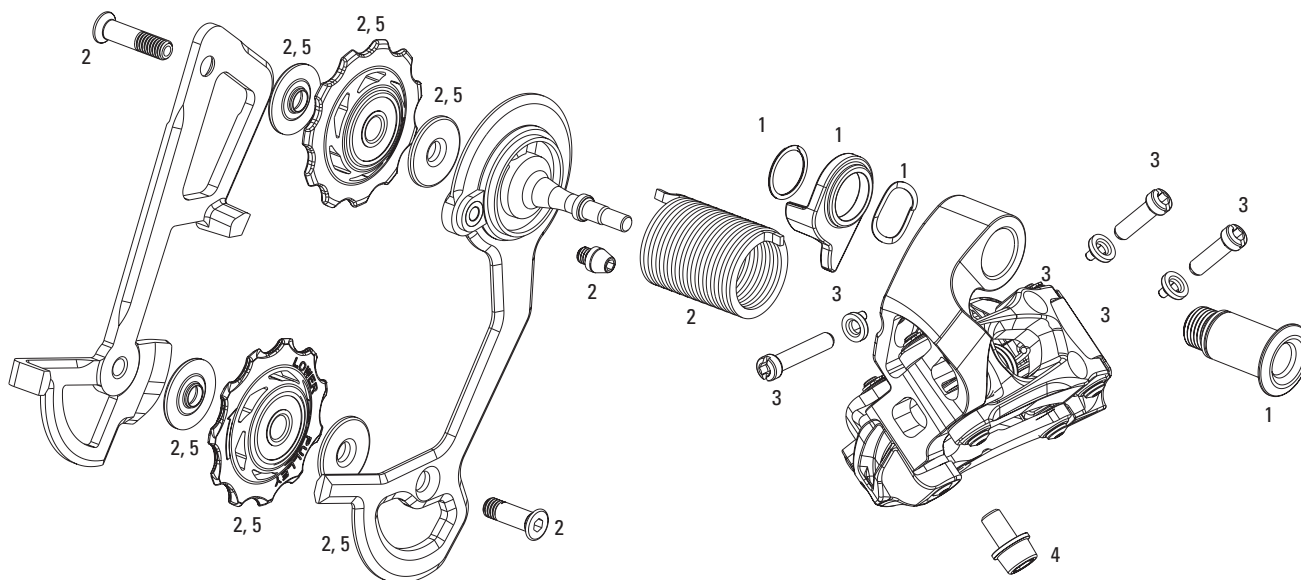
Part Number	Description
11.1915.020.000	Rim S27 Front 18H Comp Black With Decals - Not for resale: service center rebuild only
11.1915.020.010	Rim S27 Rear 20H Comp Black With Decals - Not for resale: service center rebuild only
11.1915.020.020	Rim S30 Front 18H Sprint Black With Decals - Not for resale: service center rebuild only
11.1915.020.030	Rim S30 Rear 20H Sprint Black With Decals - Not for resale: service center rebuild only
11.1915.020.040	Rim S30 Front 18H Race Grey With Decals - Not for resale: service center rebuild only
11.1915.020.050	Rim S30 Rear 20H Race Grey With Decals - Not for resale: service center rebuild only
11.1915.000.080	Spokes & Nipples 3-pack 220mm Bladed for S80 Rear Driveside Black
11.1915.000.090	Spokes & Nipples 3-pack 236mm Bladed for S80 Front Black
11.1915.000.100	Spokes & Nipples 3-pack 246mm Bladed for S60 Rear Driveside Black
11.1915.000.110	Spokes & Nipples 3-pack 248mm Bladed for S80 Rear Non-Driveside Black
11.1915.000.120	Spokes & Nipples 3-pack 260mm Bladed for S60 Front Black
11.1915.000.160	Spokes & Nipples 3-pack 262mm Bladed for S40 Rear Drive Black
11.1915.000.130	Spokes & Nipples 3-pack 272mm Bladed for S60 Rear Non-driveside Black
11.1915.000.140	Spokes & Nipples 3-pack 276mm Bladed for S40 Front Black
11.1915.000.170	Spokes & Nipples 3-pack 290mm Bladed for S40 Rear Non-driveside Black
11.1915.016.000	Spokes & Nipples 3-pack 278mm CX for S27 Front
11.1915.016.010	Spokes & Nipples 3-pack 266mm CX for S27 Rear Driveside
11.1915.016.020	Spokes & Nipples 3-pack 280mm CX for S27 Rear Non-driveside
11.1915.016.090	Spokes & Nipples 3-pack 282mm CX Sprint for S30 Sprint Front
11.1915.016.100	Spokes & Nipples 3-pack 272mm CX Sprint for S30 Sprint Rear Driveside
11.1915.016.110	Spokes & Nipples 3-pack 286mm CX Sprint for S30 Sprint Rear Non-Driveside
11.1915.016.120	Spokes & Nipples 3-pack 282mm CX Ray for S30 Race Front
11.1915.016.130	Spokes & Nipples 3-pack 272mm CX Ray for S30 Race Rear Driveside
11.1915.016.140	Spokes & Nipples 3-pack 286mm CX Ray for S30 Race Rear Non-Driveside
11.1915.001.000	Freehub body with seal, SRAM/Shimano spline S40/S60/S80
11.1915.015.000	Freehub body Campagnolo spline S40/S60/S80
11.1915.017.000	Freehub body with seal, SRAM/Shimano spline S27/30
11.1915.002.000	Driveside hub seal S40/S60/S80
11.1915.019.000	Seal for Freehub driver body S27/30
11.1915.003.000	Hub Bearings Front Pair S40/S60/S80
11.1915.003.010	Hub Bearings Rear Pair S40/S60/S80
11.1915.003.020	Hub Bearings Front Pair S30/S27
11.1915.003.030	Hub Bearings Rear Pair S30/S27
11.1915.018.000	Hub Pawls & Pawl Springs (4 of each) S27/30
11.1915.004.000	Hub Axle Assembly Front S40/S60/S80 Silver
11.1915.004.010	Hub Axle Assembly Rear S40/S60/S80 Silver
11.1915.004.020	Hub Axle Assembly Front S40/S60/S80 Black
11.1915.004.030	Hub Axle Assembly Rear S40/S60/S80 Black
11.1915.004.080	Hub Axle Assembly Front S27 Comp S30 Sprint Lockring
11.1915.004.090	Hub Axle Assembly Rear S27 Comp S30 Sprint Lockring
11.1915.004.100	Hub Axle Assembly Front S30 Race Lockring
11.1915.004.110	Hub Axle Assembly Rear S30 Race Lockring
11.1915.006.000	Hub Pawls & Pawl Springs (7 of each) S40/S60/S80
11.1915.005.000	Decal set for S40, Red, 1 wheel
11.1915.005.010	Decal set for S60, Red, 1 wheel
11.1915.005.020	Decal set for S80, Red, 1 wheel
11.1915.005.030	Decal set for S40, Grey, 1 wheel
11.1915.005.040	Decal set for S60, Grey, 1 wheel
11.1915.005.050	Decal set for S80, Grey, 1 wheel
11.1915.005.060	Decal set for S40, Merida Green, 1 wheel
11.1915.005.070	Decal set for S60, Merida Green, 1 wheel
11.1915.005.080	Decal set for S80, Merida Green, 1 wheel
11.1915.008.000	SRAM Wheels Tackle Box
11.1915.007.000	Nipple Drive 5.5mm Socket 115mm
14.1915.006.000	Bearing removal & installation tools for S40, S60, S80 & FlashPoint Wheels
14.1915.007.000	Bearing removal & installation tools for S27/S30 Wheels



NOTE: XX rear derailleur is compatible with 10 speed exact actuation cranks and shifters only.

No.	Part Number	Description
1	11.7515.037.010	XX Rear Derailleur B-Bolt Kit
2	00.7915.016.010	XX Rear Derailleur Pulley Kit
3	11.7515.040.010	XX Rear Derailleur B-Screw/Limit Screw Kit
4	11.7515.041.010	XX Rear Derailleur Cage Screw Kit
5	11.7515.042.010	XX Rear Derailleur Cable Anchor Bolt Kit
6	11.7515.043.000	XX Rear Derailleur Cage Assembly, Long
6	11.7515.044.000	XX Rear Derailleur Outer Cage and Cage Pin Long
7	11.7515.044.010	XX Rear Derailleur Outer Cage and Cage Pin Medium
8	11.7515.043.010	XX Rear Derailleur Cage Assembly, Medium

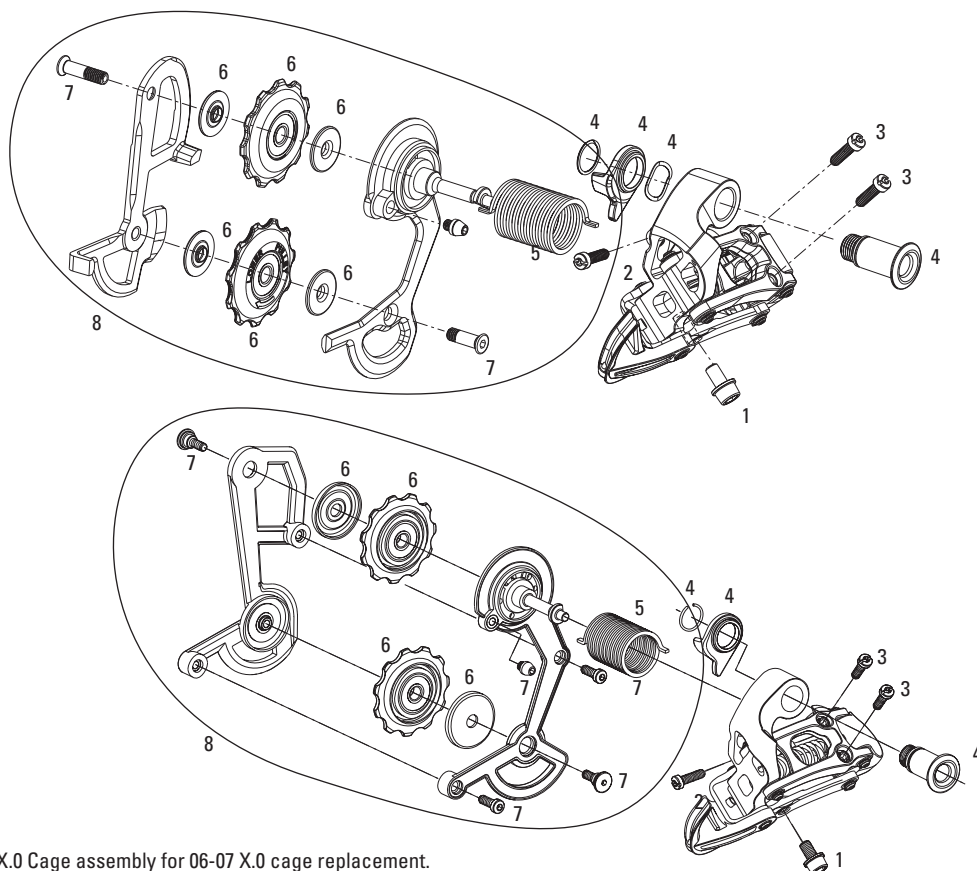
SRAM X0 / X9 / X7 - REAR DERAILLEUR 2x10, 3x10 (2011-2012)



NOTE: X0, X9 and X7 rear derailleurs are compatible with 10 speed exact actuation cranks and shifters only.

No.	Part Number	Description
1	11.7515.062.000	12 Rear Derailleur X0 Silver 10 Speed Hanger Bolt Kit
1	11.7515.049.000	11 Rear Derailleur X0 10 Speed Hanger Bolt Kit
1	11.7515.057.000	11 Rear Derailleur X9 10 Speed Hanger Bolt Kit
1	11.7515.052.000	11 Rear Derailleur X7 10 Speed Hanger Bolt Kit
2	11.7515.048.120	12 Rear Derailleur X0 10 Speed Long Cage Assembly Silver
2	11.7515.048.000	11 Rear Derailleur X0 10 Speed Long Cage Assembly Black
2	11.7515.048.010	11 Rear Derailleur X0 10 Speed Long Cage Assembly Red
2	11.7515.048.020	11 Rear Derailleur X0 10 Speed Long Cage Assembly Gold
2	11.7515.048.030	11 Rear Derailleur X0 10 Speed Long Cage Assembly Blue
2	11.7515.048.130	12 Rear Derailleur X0 10 Speed Medium Cage Assembly Silver
2	11.7515.048.040	11 Rear Derailleur X0 10 Speed Medium Cage Assembly Black
2	11.7515.048.050	11 Rear Derailleur X0 10 Speed Medium Cage Assembly Red
2	11.7515.048.060	11 Rear Derailleur X0 10 Speed Medium Cage Assembly Gold
2	11.7515.048.070	11 Rear Derailleur X0 10 Speed Medium Cage Assembly Blue
2	11.7515.048.140	12 Rear Derailleur X0 10 Speed Short Cage Assembly Silver
2	11.7515.048.080	11 Rear Derailleur X0 10 Speed Short Cage Assembly Black
2	11.7515.048.090	11 Rear Derailleur X0 10 Speed Short Cage Assembly Red
2	11.7515.048.100	11 Rear Derailleur X0 10 Speed Short Cage Assembly Gold
2	11.7515.048.110	11 Rear Derailleur X0 10 Speed Short Cage Assembly Blue
2	11.7515.064.000	12 Rear Derailleur X0DH 10 Speed Short Cage Assembly Red
2	11.7515.064.010	12 Rear Derailleur X0DH 10 Speed Short Cage Assembly Silver
2	11.7515.056.000	11 Rear Derailleur X9 10 Speed Long Cage Assembly Grey
2	11.7515.056.010	11 Rear Derailleur X9 10 Speed Long Cage Assembly Red
2	11.7515.056.020	11 Rear Derailleur X9 10 Speed Long Cage Assembly White
2	11.7515.056.030	11 Rear Derailleur X9 10 Speed Medium Cage Assembly Grey
2	11.7515.056.040	11 Rear Derailleur X9 10 Speed Medium Cage Assembly Red
2	11.7515.056.050	11 Rear Derailleur X9 10 Speed Medium Cage Assembly White
2	11.7515.056.060	11 Rear Derailleur X9 10 Speed Short Cage Assembly Grey
2	11.7515.056.070	11 Rear Derailleur X9 10 Speed Short Cage Assembly Red
2	11.7515.056.080	11 Rear Derailleur X9 10 Speed Short Cage Assembly White
2	11.7515.051.000	11 Rear Derailleur X7 10 Speed Long Cage Assembly
2	11.7515.051.010	11 Rear Derailleur X7 10 Speed Medium Cage Assembly
2	11.7515.051.020	11 Rear Derailleur X7 10 Speed Short Cage Assembly
3	11.7515.063.000	12 Rear Derailleur X0 Silver B Screw / Limit Screw Kit
3	11.7515.047.000	11 Rear Derailleur X0 B Screw / Limit Screw Kit
3	11.7515.055.000	11 Rear Derailleur X9 10 Speed B Screw / Limit Screw Kit
3	11.7515.050.000	11 Rear Derailleur X7 10 Speed B Screw / Limit Screw Kit
4	11.7515.026.000	06-11 X0 Rear Derailleur Cable Anchor Bolt/Washer, Qty 1
4	11.7515.058.000	11 Rear Derailleur X9 Cable Anchor Bolt / Washer Kit QTY1
4	11.7515.053.000	11 Rear Derailleur X7 Cable Anchor Bolt / Washer Kit
5	00.7915.016.010	BlackBox Ceramic Bearing Pulleys – MTN
5	11.7515.022.000	08-11 X0 Rear Derailleur Pulley Kit Qty 2
5	11.7515.038.000	10-11 X9 X7 Rear Derailleur Pulley Kit

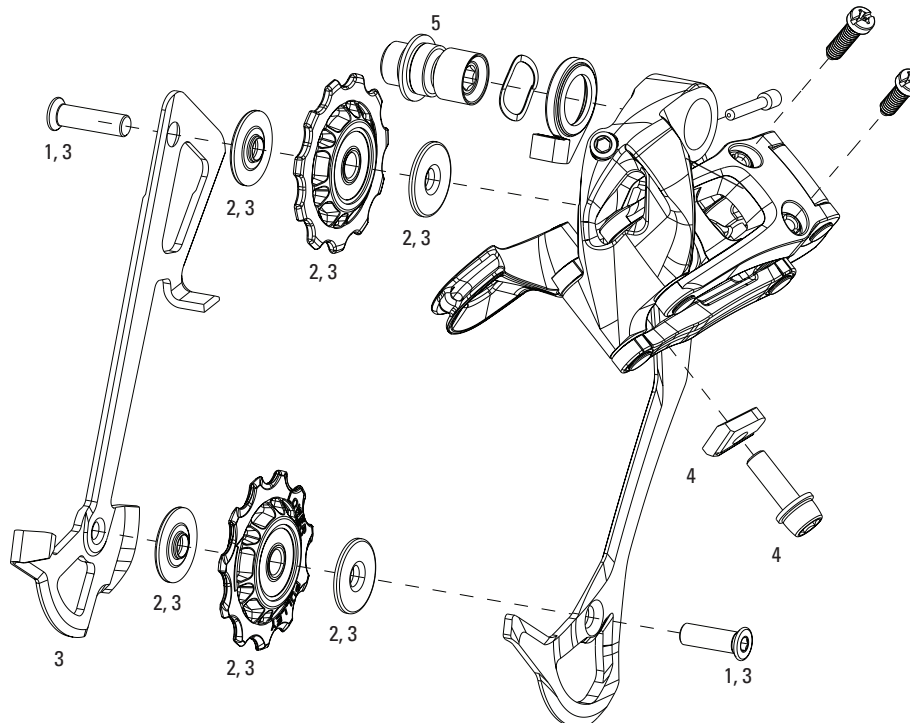
SRAM X.0 - REAR DERAILLEUR 3x9 (2006-2012)



8) Use current X.0 Cage assembly for 06-07 X.0 cage replacement.

No. Part Number Description

1	11.7515.026.000	06-11 X0 Rear Derailleur Cable Anchor Bolt/Washer, Qty 1
2	11.7515.027.000	06-09 X0 Rear Derailleur B-Adjust Screw, Qty 1
3	11.7515.028.000	06-09 X0 Rear Derailleur Limit Screws, Qty 2
4	11.7515.031.000	08 X0 Rear Derailleur Hanger Bolt Gold
4	00.0000.200.892	06-07 X0 Rear Derailleur Hanger Bolt Assy
4	11.7515.036.000	09 X0 Rear Derailleur Hanger Bolt Silver
4	11.7515.036.010	Select X0 Rear Derailleur B-Bolt Kit Red
4	11.7515.036.020	Select X0 Rear Derailleur B-Bolt Kit Gold
4	11.7515.036.030	Select X0 Rear Derailleur B-Bolt Kit Pink
4	11.7515.036.040	Select X0 Rear Derailleur B-Bolt Kit Orange
4	11.7515.036.050	Select X0 Rear Derailleur B-Bolt Kit Green
5	11.7515.032.000	06-09 X0 Rear Derailleur Torsion Spring
6	00.0000.200.733	05-07 X0, 07-09 X9 Short Cage, 08-09 X7 Short Cage Rear Derailleur Pulley Assy
6	11.7515.022.000	08-11 X0 Rear Derailleur Pulley Kit Qty 2
7	11.7515.030.000	08-09 X0 Rear Derailleur Pulley Screws (Short/Medium, Long Cages)
7	11.7515.029.000	06-07 X0 Rear Derailleur Pulley Screws (Short/Medium, Long Cages)
8	11.7515.023.000	X0 Rear Derailleur Cage Assy, Carbon, Short (Forged Inner Cage)
8	11.7515.023.010	X0 Rear Derailleur Cage Assy, Carbon, Medium (Forged Inner Cage)
8	11.7515.023.020	X0 Rear Derailleur Cage Assy, Carbon, Long (Forged Inner Cage)
8	11.7515.023.030	Select X0 Rear Derailleur Cage Kit Carbon Short Red
8	11.7515.023.040	Select X0 Rear Derailleur Cage Kit Carbon Medium Red
8	11.7515.023.050	Select X0 Rear Derailleur Cage Kit Carbon Long Red
8	11.7515.023.060	Select X0 Rear Derailleur Cage Kit Carbon Short Gold
8	11.7515.023.070	Select X0 Rear Derailleur Cage Kit Carbon Medium Gold
8	11.7515.023.080	Select X0 Rear Derailleur Cage Kit Carbon Long Gold
8	11.7515.023.090	Select X0 Rear Derailleur Cage Kit Carbon Short Pink
8	11.7515.023.100	Select X0 Rear Derailleur Cage Kit Carbon Medium Pink
8	11.7515.023.110	Select X0 Rear Derailleur Cage Kit Carbon Long Pink
8	11.7515.023.120	Select X0 Rear Derailleur Cage Kit Carbon Short Orange
8	11.7515.023.130	Select X0 Rear Derailleur Cage Kit Carbon Medium Orange
8	11.7515.023.140	Select X0 Rear Derailleur Cage Kit Carbon Long Orange
8	11.7515.023.150	Select X0 Rear Derailleur Cage Kit Carbon Short Green
8	11.7515.023.160	Select X0 Rear Derailleur Cage Kit Carbon Medium Green
8	11.7515.023.170	Select X0 Rear Derailleur Cage Kit Carbon Long Green
ns	11.7515.034.000	Rear Derailleur Limit Screw Plugs Qty 10 (Red, Force, Rival, X-0)

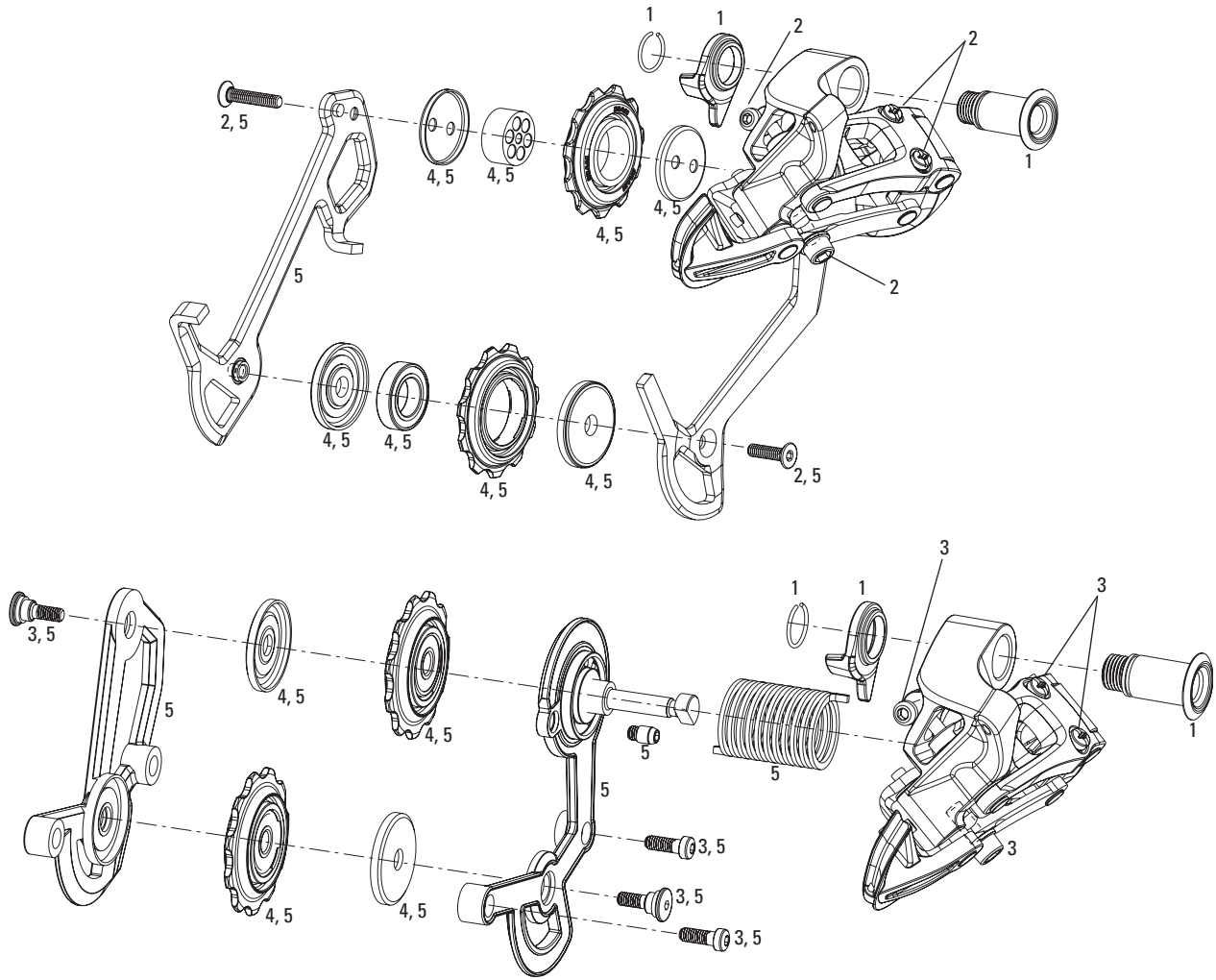


NOTE: X9 outer cage is NOT replaceable.

No. Part Number Description

1	11.7515.041.000	2010 X9 X7 Rear Derailleur Cage Screw Kit
2	11.7515.038.000	10-11 X9 X7 Rear Derailleur Pulley Kit
3	11.7515.039.000	2010 X9 Rear Derailleur Cage Kit Long (Inner Cage & Pulleys, Outer Cage Not Replaceable)
3	11.7515.039.010	2010 X9 Rear Derailleur Cage Kit Medium (Inner Cage & Pulleys, Outer Cage Not Replaceable)
3	11.7515.039.020	2010 X9 Rear Derailleur Cage Kit Short (Inner Cage & Pulleys, Outer Cage Not Replaceable)
3	11.7515.039.030	2010 X7 Rear Derailleur Cage Kit Long (Inner Cage & Pulleys, Outer Cage Not Replaceable)
3	11.7515.039.040	2010 X7 Rear Derailleur Cage Kit Medium (Inner Cage & Pulleys, Outer Cage Not Replaceable)
3	11.7515.039.050	2010 X7 Rear Derailleur Cage Kit Short (Inner Cage & Pulleys, Outer Cage Not Replaceable)
4	11.7515.042.000	2010 X9 Rear Derailleur Cable Anchor Bolt Kit
5	11.7515.037.000	2010 X9 X7 Rear Derailleur B-Bolt Kit

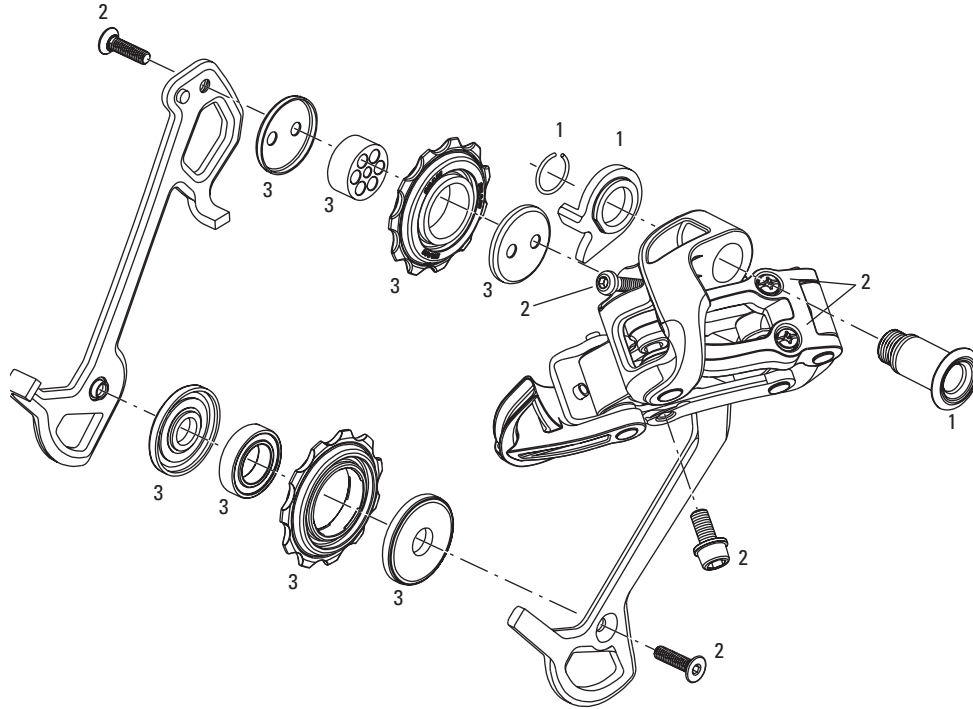
SRAM X.9 - REAR DERAILLEUR 3x9 (2007-2009)



NOTE: X9 outer cage is NOT replaceable.

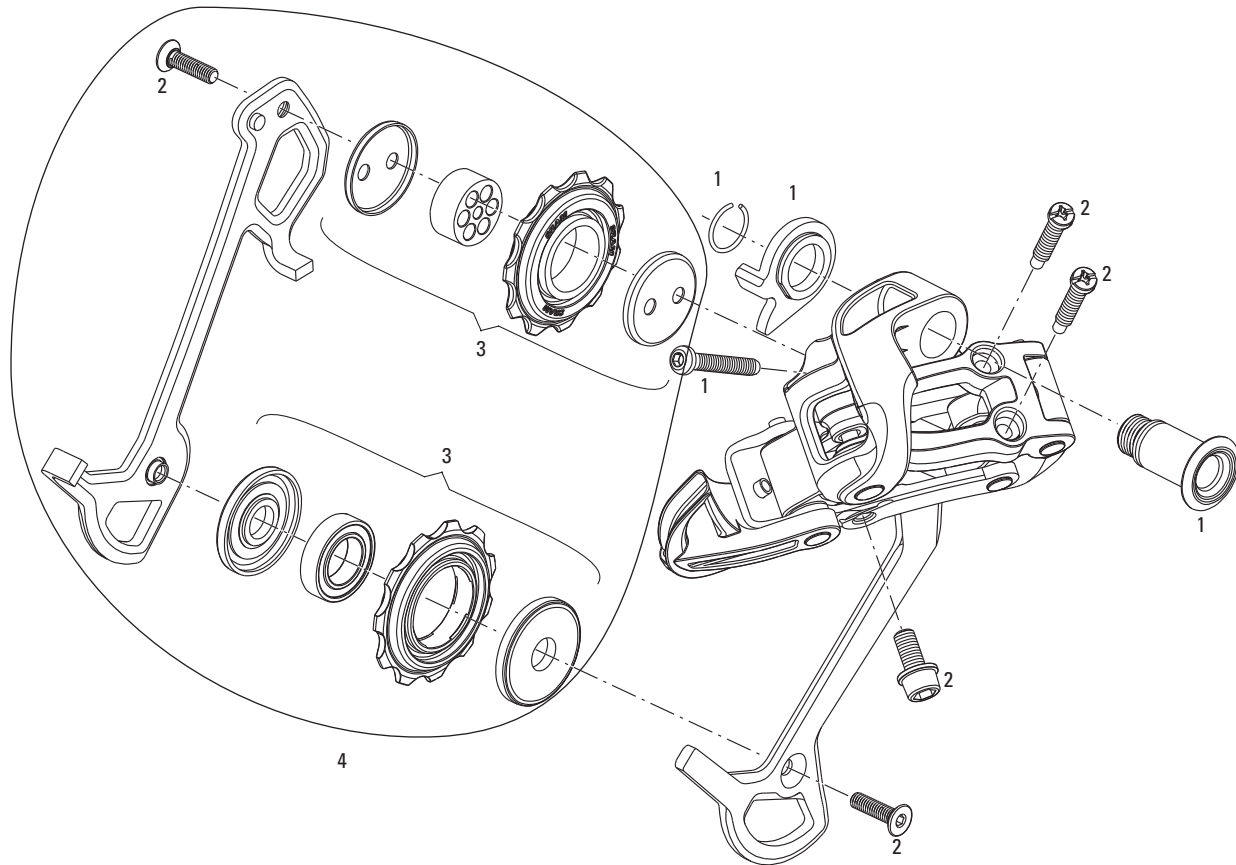
No.	Part Number	Description
-----	-------------	-------------

1	11.7515.009.000	07-09 X9 Rear Derailleur Hanger Bolt
2	00.0000.200.899	05-09 X9 Rear Derailleur Screw/Bolt Kit
3	11.7515.010.000	07-09 X9 Rear Derailleur Composite Cage Screw/Bolt Kit
4	00.0000.200.615	05-09 X9 Rear Derailleur Pulley Kit (M/L Cage)
4	00.0000.200.733	05-07 X0, 07-09 X9 Short Cage, 08-09 X7 Short Cage Rear Derailleur Pulley Assy
5	11.7515.012.000	07-09 X9, 08 X7 Rear Derailleur Cage Assy Short Composite



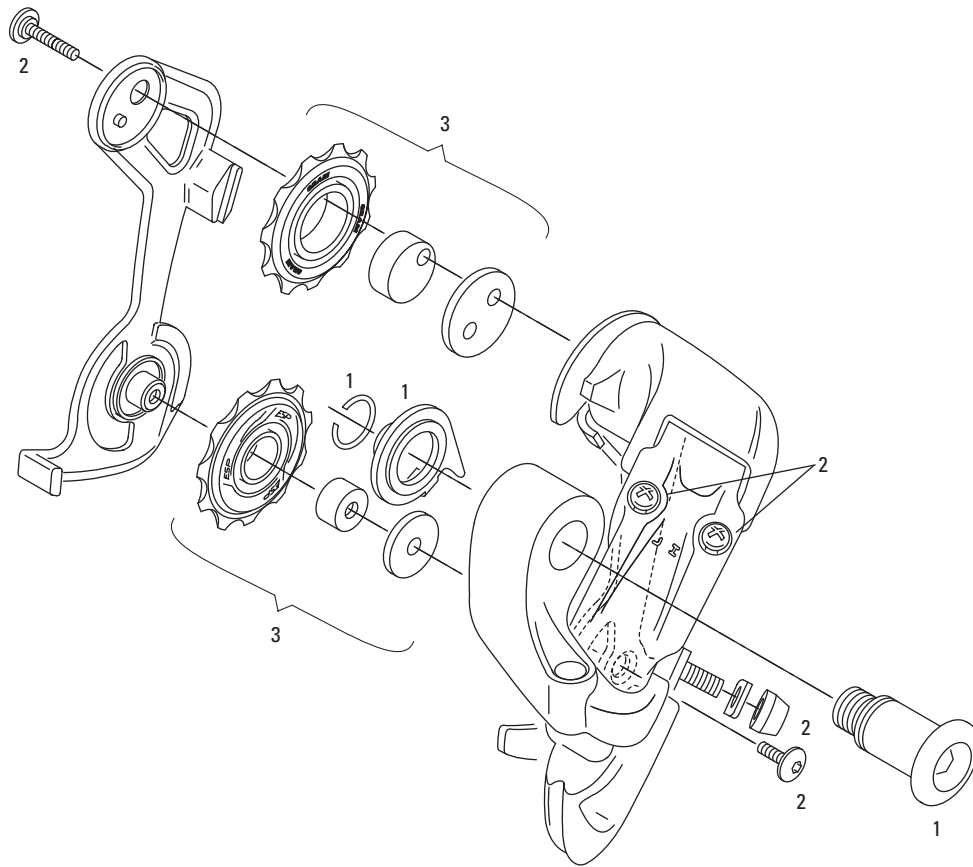
No. Part Number Description

1	00.0000.200.715	04-05 X7/X9/Dual Drive27/9/7/5 Rear Derailleur Hanger Bolt
1	00.0000.200.898	06-09 X7/X9/Dual Drive27 Rear Derailleur Hanger Bolt
2	00.0000.200.899	05-09 X9 Rear Derailleur Screw/Bolt Kit
2	00.0000.200.900	06-09 X7/Dual Drive27, 04-05 X7/X9/Dual Drive27/9/7/5 Rear Derailleur Screw/Bolt Kit
3	00.0000.200.615	05-09 X9 Rear Derailleur Pulley Kit (M/L Cage)
3	00.0000.200.618	04-09 X7/Dual Drive27, SX5, 08-09 X5 Rear Derailleur Pulley Kit Qty 2



No. Part Number Description

1	00.0000.200.898	06-09 X7/X9/Dual Drive27 Rear Derailleur Hanger Bolt
2	00.0000.200.900	06-09 X7/Dual Drive27, 04-05 X7/X9/Dual Drive27/9/7/5 Rear Derailleur Screw/Bolt Kit
3	00.0000.200.618	04-09 X7/Dual Drive27, SX5, 08-09 X5 Rear Derailleur Pulley Kit Qty 2
3	00.0000.200.733	05-07 X0, 07-09 X9 Short Cage, 08-09 X7 Short Cage Rear Derailleur Pulley Assy
4	11.7515.012.000	07-09 X9, 08 X7 Rear Derailleur Cage Assy Short Composite

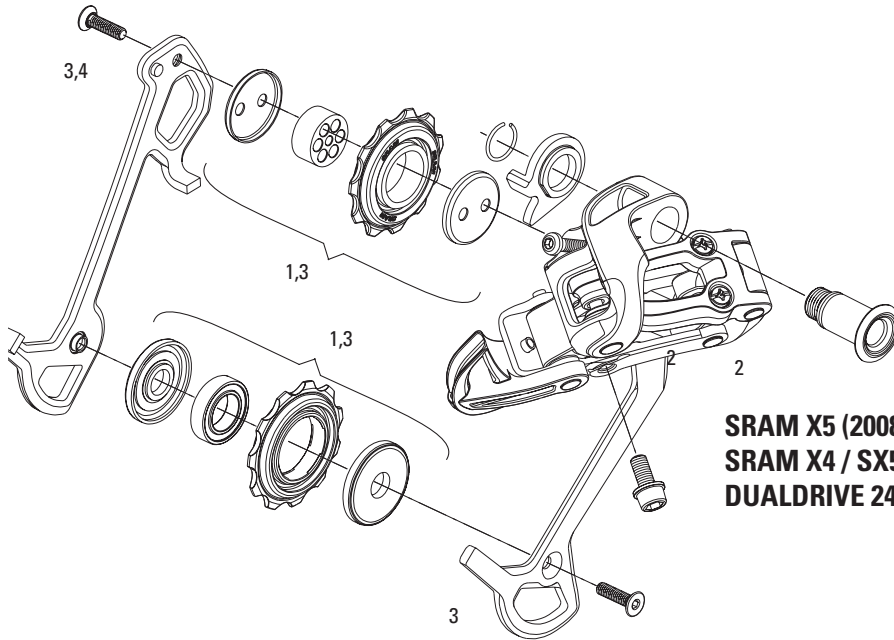


No. Part Number Description

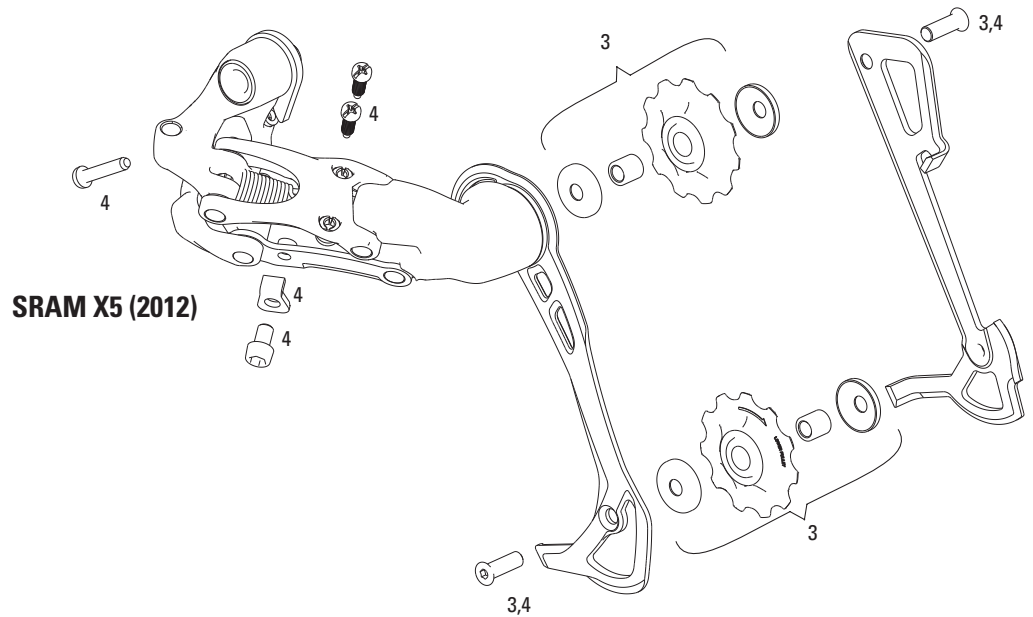
1	00.0000.200.715	04-05 X7/X9/Dual Drive27/9/7/5 Rear Derailleur Hanger Bolt
2	00.0000.200.900	06-09 X7/Dual Drive27, 04-05 X7/X9/Dual Drive27/9/7/5 Rear Derailleur Screw/Bolt Kit
2	00.0000.200.899	05-09 X9 Rear Derailleur Screw/Bolt Kit
3	00.0000.200.713	(04) X9, 9.0SI / 9.0 Rear Derailleur Pulley Assy
3	00.0000.200.618	04-09 X7/Dual Drive27, SX5, 08-09 X5 Rear Derailleur Pulley Kit Qty 2
3	00.0000.200.616	(04) 5.0 Rear Derailleur Pulley Assy

SRAM X5 (2012) - REAR DERAILLEUR 2x10 / 3x10

X5 (2008-2010) X4 / SX5 / SX4 / DUALDRIVE 24 / DUALDRIVE 21 - REAR DERAILLEUR 3x9



**SRAM X5 (2008-2010)
SRAM X4 / SX5 / SX4
DUALDRIVE 24 / DUALDRIVE 21**

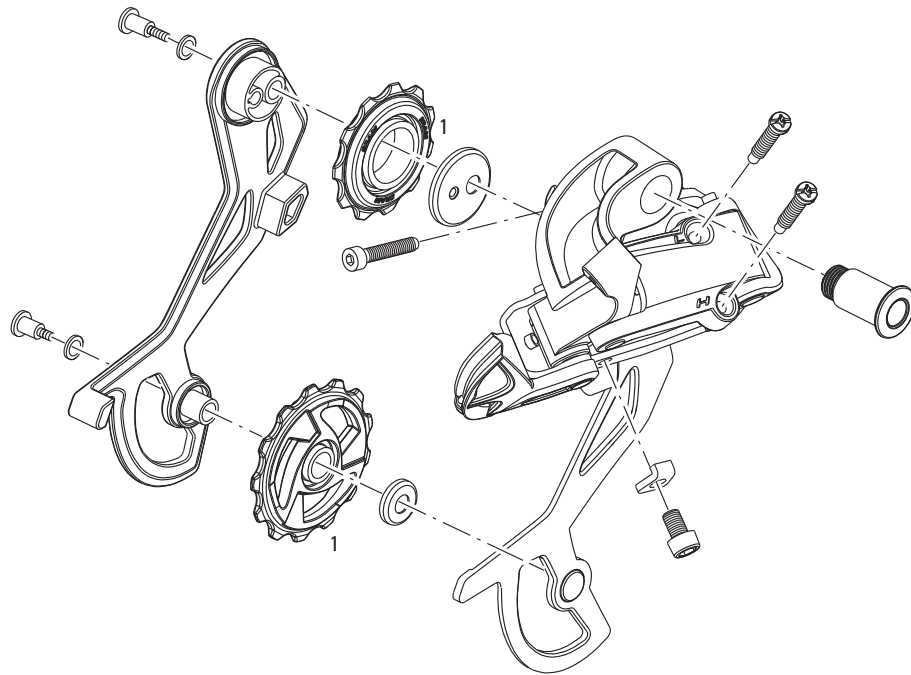


SRAM X5 (2012)

NOTE: X5 outer cage is NOT replaceable.

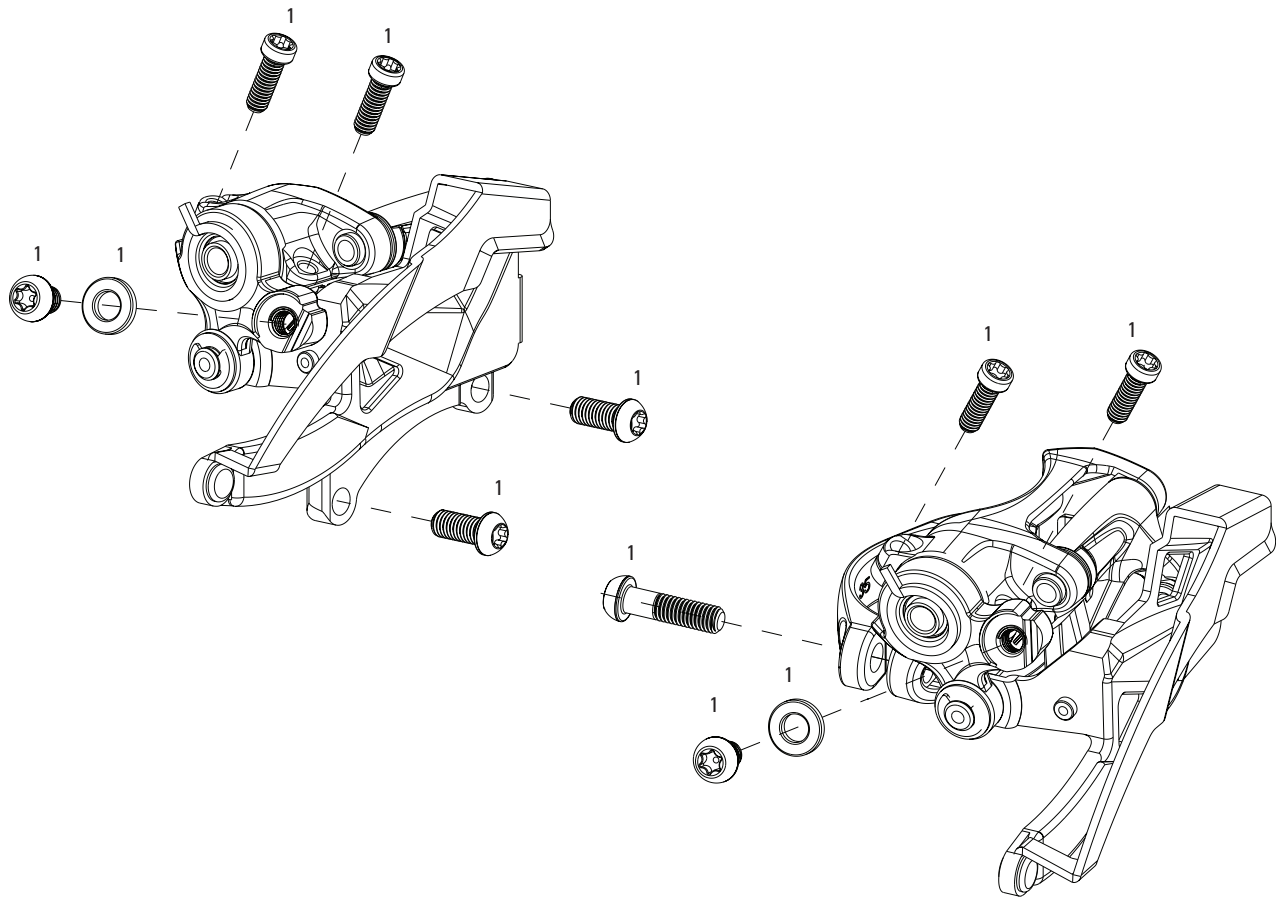
No. Part Number Description

1	00.0000.200.912	X.4/Sx4 Rear Derailleur Pulley Assy
1	00.0000.200.618	04-09 X7/Dual Drive27, SX5, 08-09 X5 Rear Derailleur Pulley Kit Qty 2
ns	11.7515.065.000	12 Rear Derailleur X5 10 Speed Hanger Bolt Kit
3	11.7515.066.000	12 Rear Derailleur X5 10 Speed Medium Cage Assembly (Inner Cage & Pulleys, Outer Cage Not Replaceable)
3	11.7515.066.010	12 Rear Derailleur X5 10 Speed Long Cage Assembly (Inner Cage & Pulleys, Outer Cage Not Replaceable)
4	11.7515.067.000	12 Rear Derailleur X5 Screw Kit



No. Part Number Description

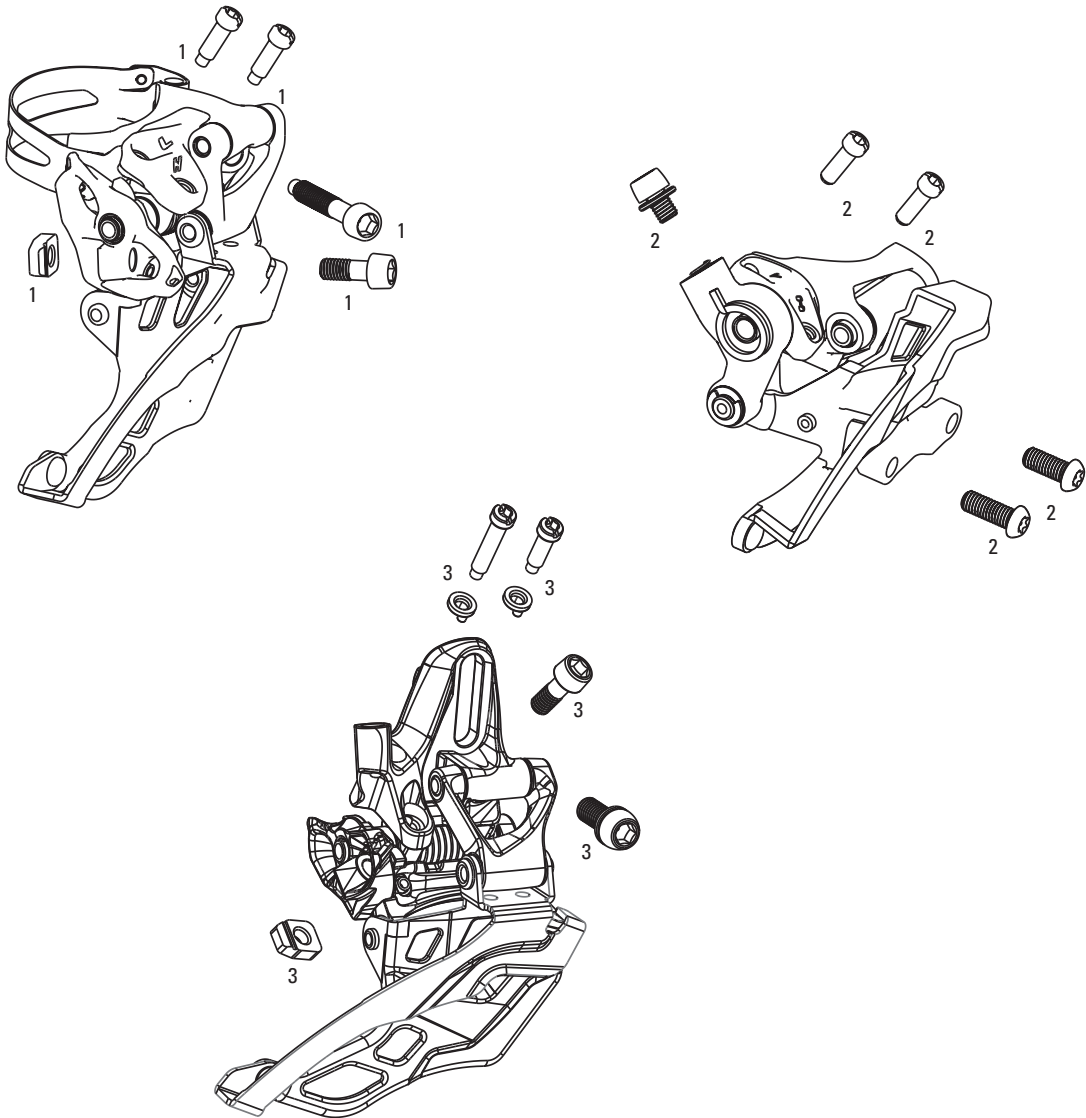
1 00.0000.200.616 (04) 5.0 Rear Derailleur Pulley Assy



NOTE: XX front derailleur is compatible with XX 10 speed cassette, XX crank and XX shifters only.
Low clamp and direct mount pictured.

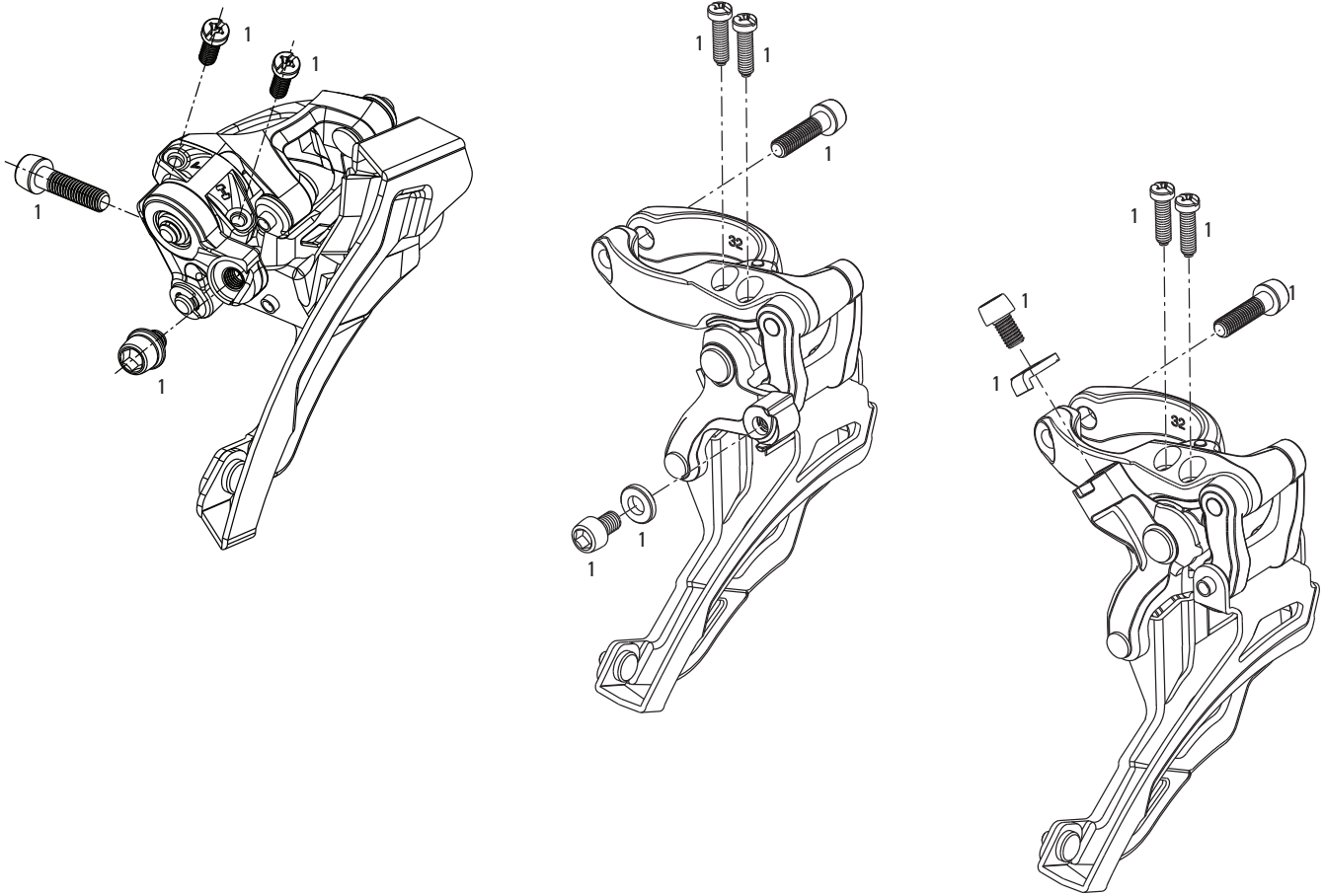
No. Part Number Description

- 1 11.7615.015.010 XX Front Derailleur Screw Kit, Low Clamp and Direct Mount
- ns 11.7615.015.020 XX Front Derailleur Screw Kit, High Clamp
- ns 11.7615.015.000 XX Front Derailleur 31.8 Low Clamp Shim



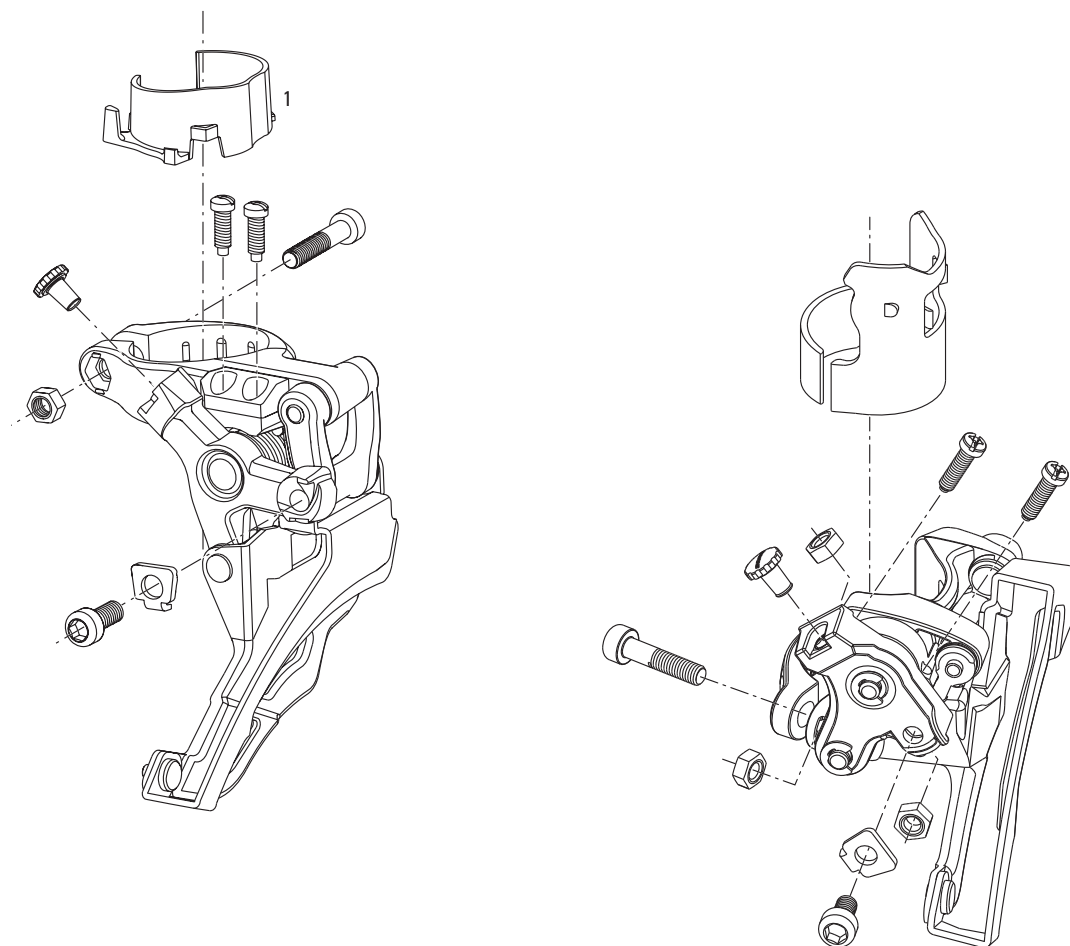
No. Part Number Description

1	11.7615.016.000	11 Front Derailleur X0/X9 High Clamp Screw Kit
2	11.7615.018.000	11 Front Derailleur X0/X9 Low Clamp Screw Kit
3	11.7615.017.000	11 Front Derailleur X0/X9 High Direct Mount Dual Pull Screw Kit
ns	11.7615.019.000	11 Front Derailleur X0/X9 Low Direct Mount S1 S3 Screw Kit



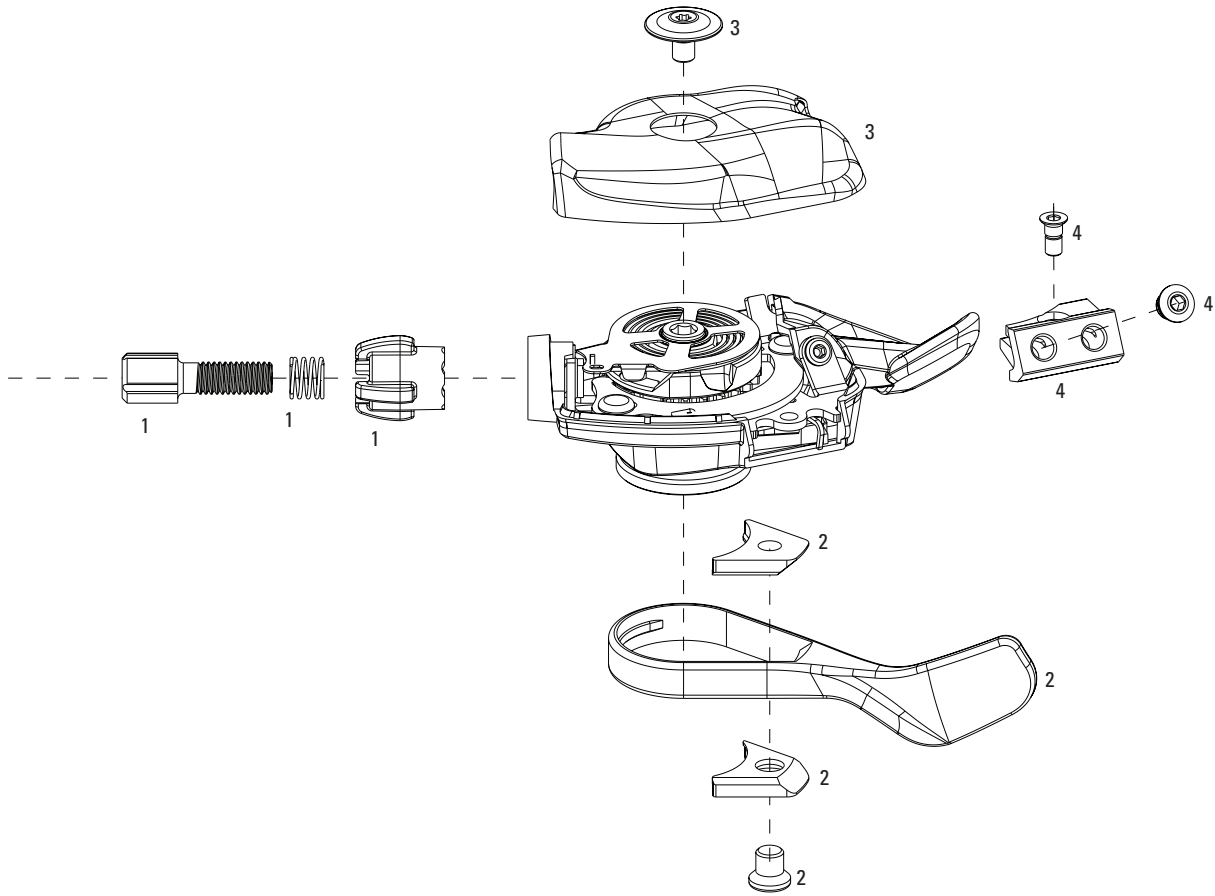
No. Part Number Description

1 11.7615.007.000 X9 Front Derailleur High Clamp Bolt/Screw Kit



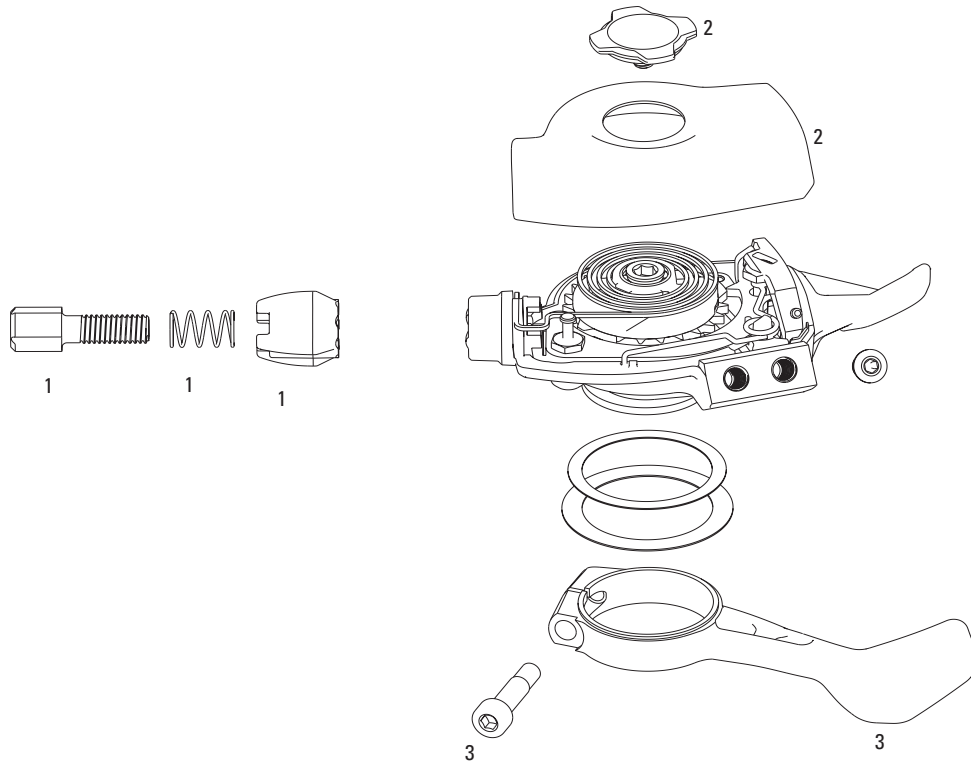
No. Part Number Description

- 1 00.0000.200.114 X7 / XGen Front Derailleur Clamp Adaptor 31.8mm
- 1 00.0000.200.115 X7 / XGen Front Derailleur Clamp Adaptor 28.6mm

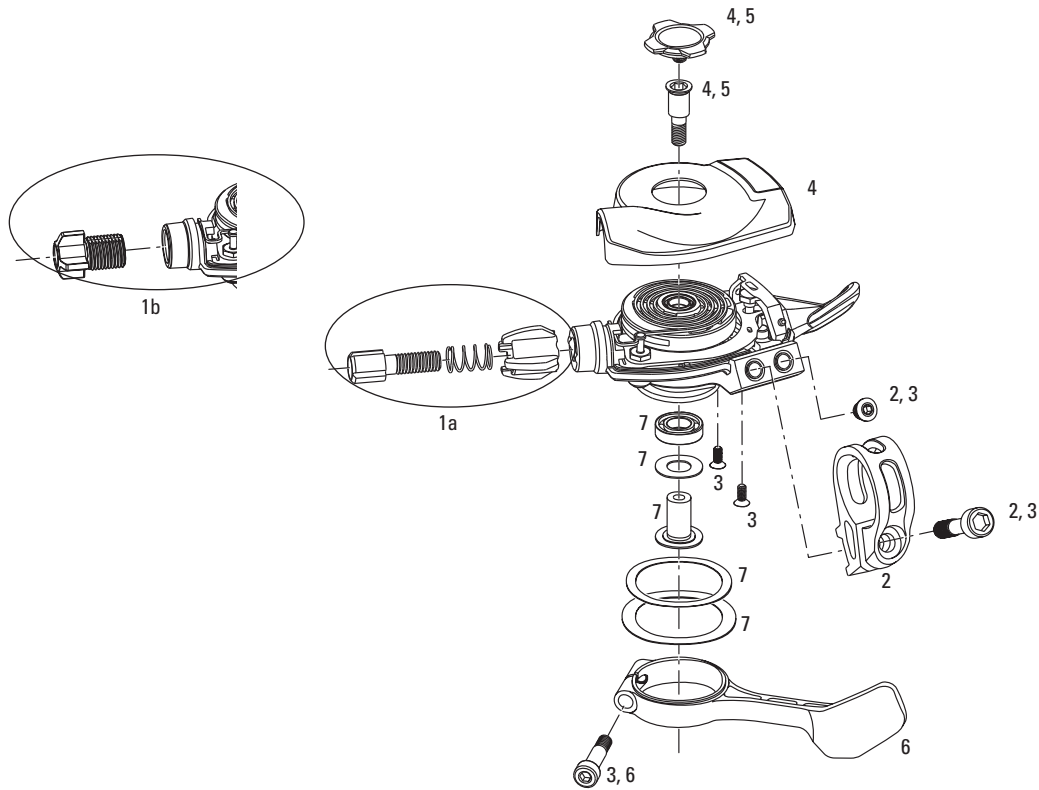


No. Part Number Description

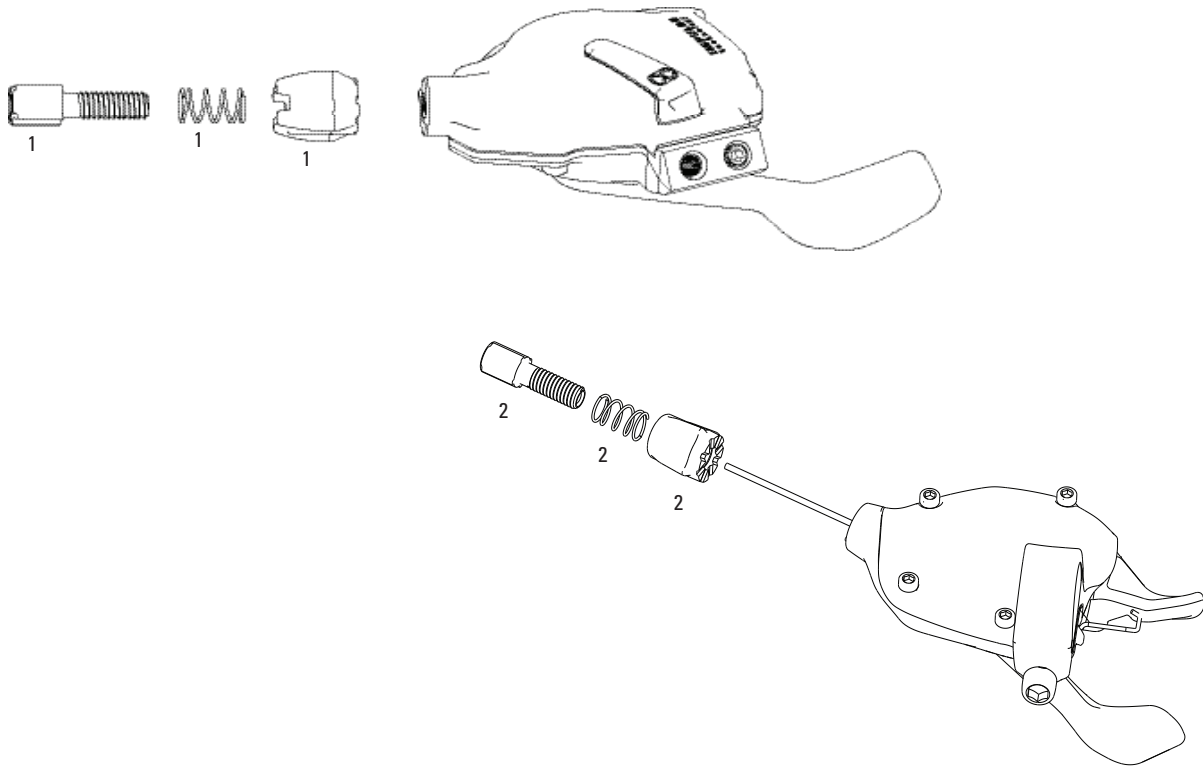
1	11.7015.059.000	XX Trigger Barrel Adjuster Kit
2	11.7015.060.000	XX Trigger Pull Lever Kit, Left
2	11.7015.060.010	XX Trigger Pull Lever Kit, Right
3	11.7015.061.000	XX Trigger Cover Kit, Left
3	11.7015.061.010	XX Trigger Cover Kit, Right
4	11.7015.062.000	XX Trigger Clamp Bracket Kit, Left
4	11.7015.062.010	XX Trigger Clamp Bracket Kit, Right
ns	11.7015.104.000	XX Discrete Clamp, Trigger Shifter Qty 1
ns	11.7015.074.000	XX Trigger Clamp/Bolt Kit qty 1



No.	Part Number	Description
1	11.7015.068.000	11 Shifter Trigger X0 10 Speed Barrel Adjuster Kit
2	11.7015.069.120	12 X0 Trigger Cover Kit Right Silver
2	11.7015.069.000	11 X0 Trigger Cover Kit Right Red
2	11.7015.069.010	11 X0 Trigger Cover Kit Right Gold
2	11.7015.069.020	11 X0 Trigger Cover Kit Right Blue
2	11.7015.069.030	11 X0 Trigger Cover Kit Right Black
2	11.7015.069.130	12 X0 Trigger Cover Kit Left 3Speed Silver
2	11.7015.069.040	11 X0 Trigger Cover Kit Left 3Speed Red
2	11.7015.069.050	11 X0 Trigger Cover Kit Left 3Speed Gold
2	11.7015.069.060	11 X0 Trigger Cover Kit Left 3Speed Blue
2	11.7015.069.070	11 X0 Trigger Cover Kit Left 3Speed Black
2	11.7015.069.140	12 X0 Trigger Cover Kit Left 2Speed Silver
2	11.7015.069.080	11 X0 Trigger Cover Kit Left 2Speed Red
2	11.7015.069.090	11 X0 Trigger Cover Kit Left 2Speed Gold
2	11.7015.069.100	11 X0 Trigger Cover Kit Left 2Speed Blue
2	11.7015.069.110	11 X0 Trigger Cover Kit Left 2Speed Black
3	11.7015.070.060	12 X0 Trigger Pull Lever Kit Right Silver
3	11.7015.070.000	11 X0 Trigger Pull Lever Kit Right Red
3	11.7015.070.010	11 X0 Trigger Pull Lever Kit Right Gold
3	11.7015.070.020	11 X0 Trigger Pull Lever Kit Right Black
3	11.7015.070.070	12 X0 Trigger Pull Lever Kit Left Silver
3	11.7015.070.030	11 X0 Trigger Pull Lever Kit Left Red
3	11.7015.070.040	11 X0 Trigger Pull Lever Kit Left Gold
3	11.7015.070.050	11 X0 Trigger Pull Lever Kit Left Black
ns	11.7015.033.070	Trigger Clamp/Bolt Kit Shiny Black Qty 1
ns	11.7015.064.000	X0 Discrete Clamp, Trigger Shifter Qty 1

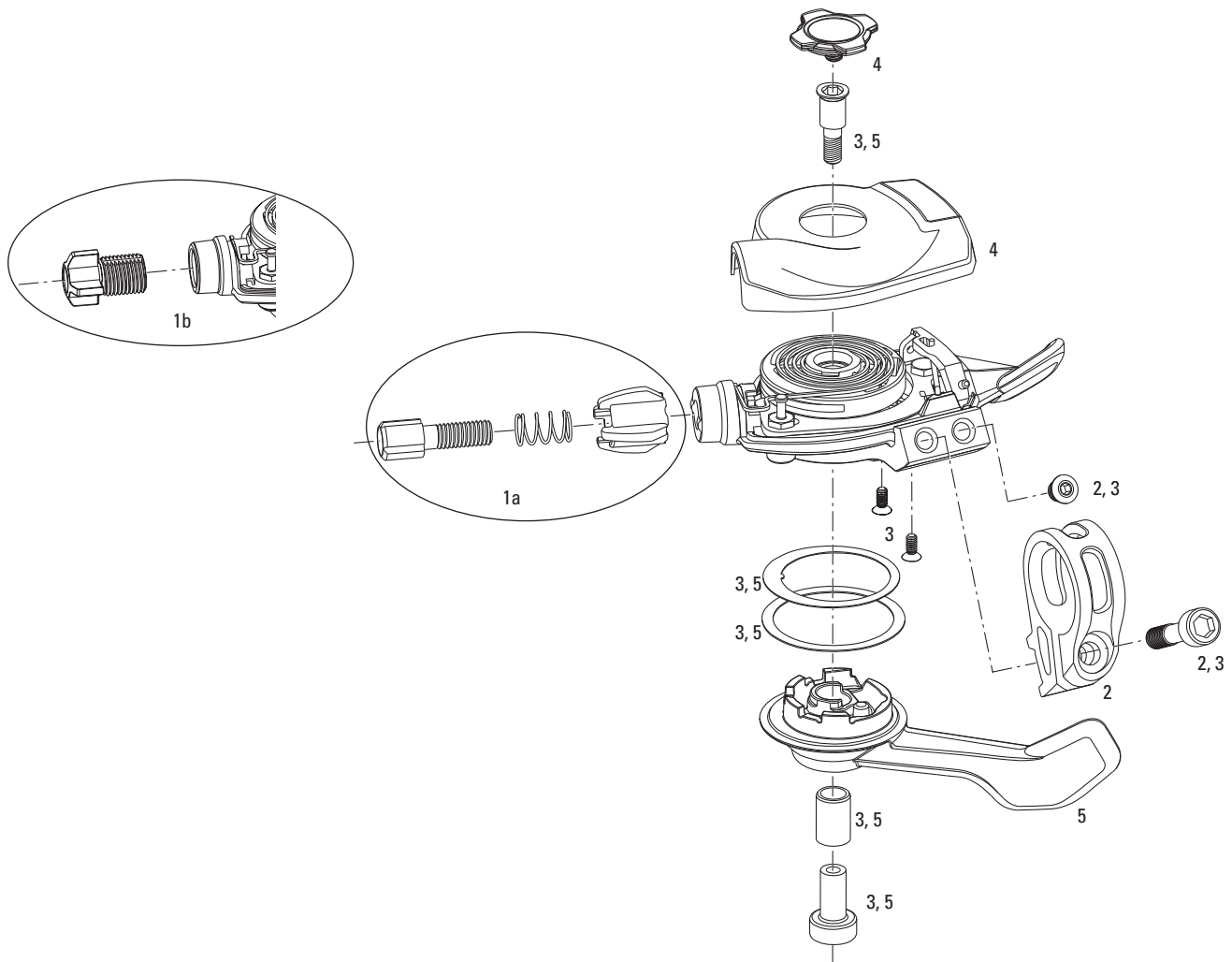


No.	Part Number	Description
1a	11.7015.024.000	07-09 X0/X9 Trigger Barrel Adjuster Qty 2 (M6, 3PC)
1b	11.7015.025.000	06-07 X0 / 07 X9 Trigger Barrel Adj Qty 2 (M10, 2PC)
2	11.7015.033.000	07-09 X0/X9/X7 Trigger Clamp/Bolt Kit, Qty 1
2	11.7015.033.020	Select X0 Trigger Clamp Kit Red Qty 1
2	11.7015.033.030	Select X0 Trigger Clamp Kit Gold Qty 1
2	11.7015.033.040	Select X0 Trigger Clamp Kit Pink Qty 1
2	11.7015.033.050	Select X0 Trigger Clamp Kit Orange Qty 1
2	11.7015.033.060	Select X0 Trigger Clamp Kit Green Qty 1
3	00.0000.200.916	X0 Trigger Bolt/Screw Kit, Qty 1
4	00.0000.200.917	X0 Trigger Carbon Cover/Top Cap Kit, Left
4	00.0000.200.918	X0 Trigger Carbon Cover/Top Cap Kit, Right
4	11.7015.054.000	Select X0 Trigger Cover Kit Left Red
4	11.7015.054.010	Select X0 Trigger Cover Kit Left Gold
4	11.7015.054.020	Select X0 Trigger Cover Kit Left Pink
4	11.7015.054.030	Select X0 Trigger Cover Kit Left Orange
4	11.7015.054.040	Select X0 Trigger Cover Kit Left Green
4	11.7015.054.050	Select X0 Trigger Cover Kit Right Red
4	11.7015.054.060	Select X0 Trigger Cover Kit Right Gold
4	11.7015.054.070	Select X0 Trigger Cover Kit Right Pink
4	11.7015.054.080	Select X0 Trigger Cover Kit Right Orange
4	11.7015.054.090	Select X0 Trigger Cover Kit Right Green
5	00.0000.200.929	X0 Trigger Cover Top Cap, Qty 2
6	00.0000.200.923	X0 Trigger Pull Lever, Left
6	00.0000.200.924	X0 Trigger Pull Lever, Right
6	11.7015.055.000	Select X0 Trigger Pull Lever Kit Left Red
6	11.7015.055.010	Select X0 Trigger Pull Lever Kit Left Gold
6	11.7015.055.020	Select X0 Trigger Pull Lever Kit Left Pink
6	11.7015.055.030	Select X0 Trigger Pull Lever Kit Left Orange
6	11.7015.055.040	Select X0 Trigger Pull Lever Kit Left Green
6	11.7015.055.050	Select X0 Trigger Pull Lever Kit Right Red
6	11.7015.055.060	Select X0 Trigger Pull Lever Kit Right Gold
6	11.7015.055.070	Select X0 Trigger Pull Lever Kit Right Pink
6	11.7015.055.080	Select X0 Trigger Pull Lever Kit Right Orange
6	11.7015.055.090	Select X0 Trigger Pull Lever Kit Right Green
7	00.0000.200.930	X0 Trigger Service Kit, Qty 1



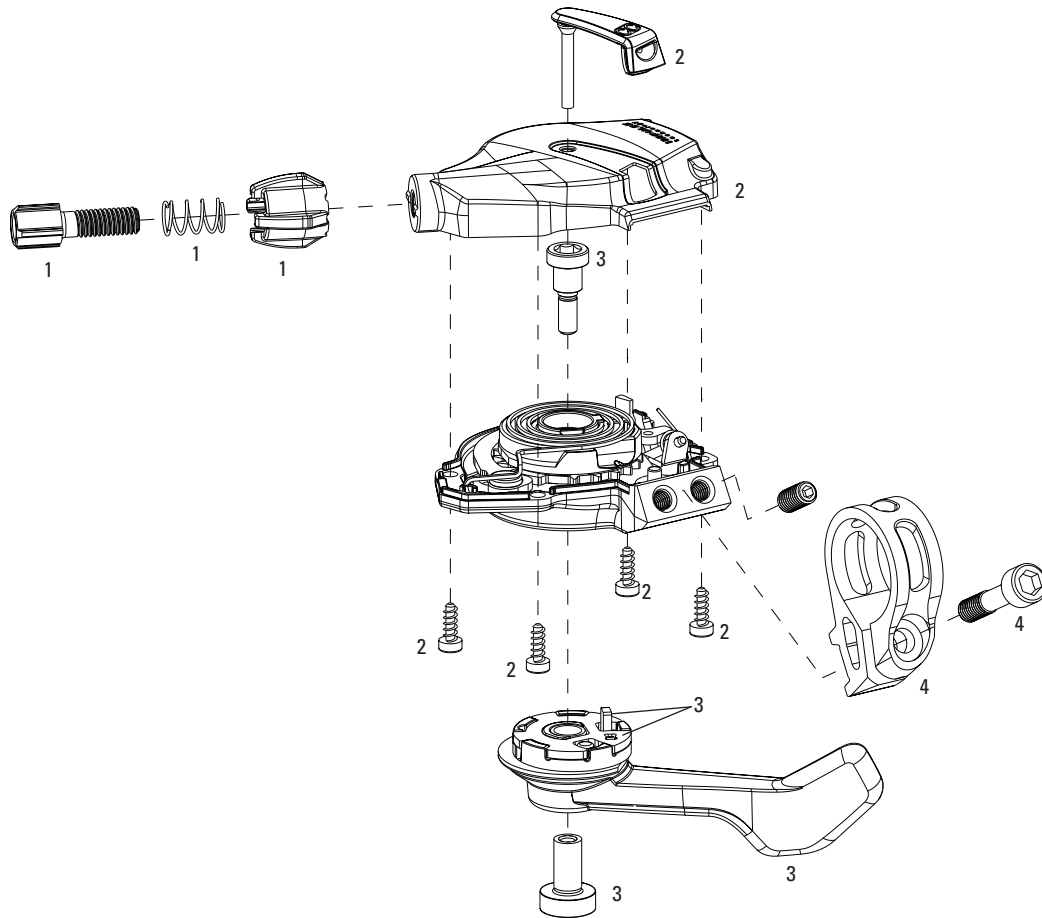
No. Part Number Description

1	11.7015.056.000	11 SL X9 10-11 X7 Barrel Adjuster Qty 2
ns	11.7015.033.000	07-09 X0/X9/X7 Trigger Clamp/Bolt Kit, Qty 1
ns	11.7015.033.010	07-10 X0 07-11 X9/X7 Trigger Clamp/Bolt Kit, Black Qty 1
ns	11.7015.033.070	Trigger Clamp/Bolt Kit Shiny Black Qty 1
2	11.7015.072.000	12 X5 Trigger Barrel Adjuster Kit



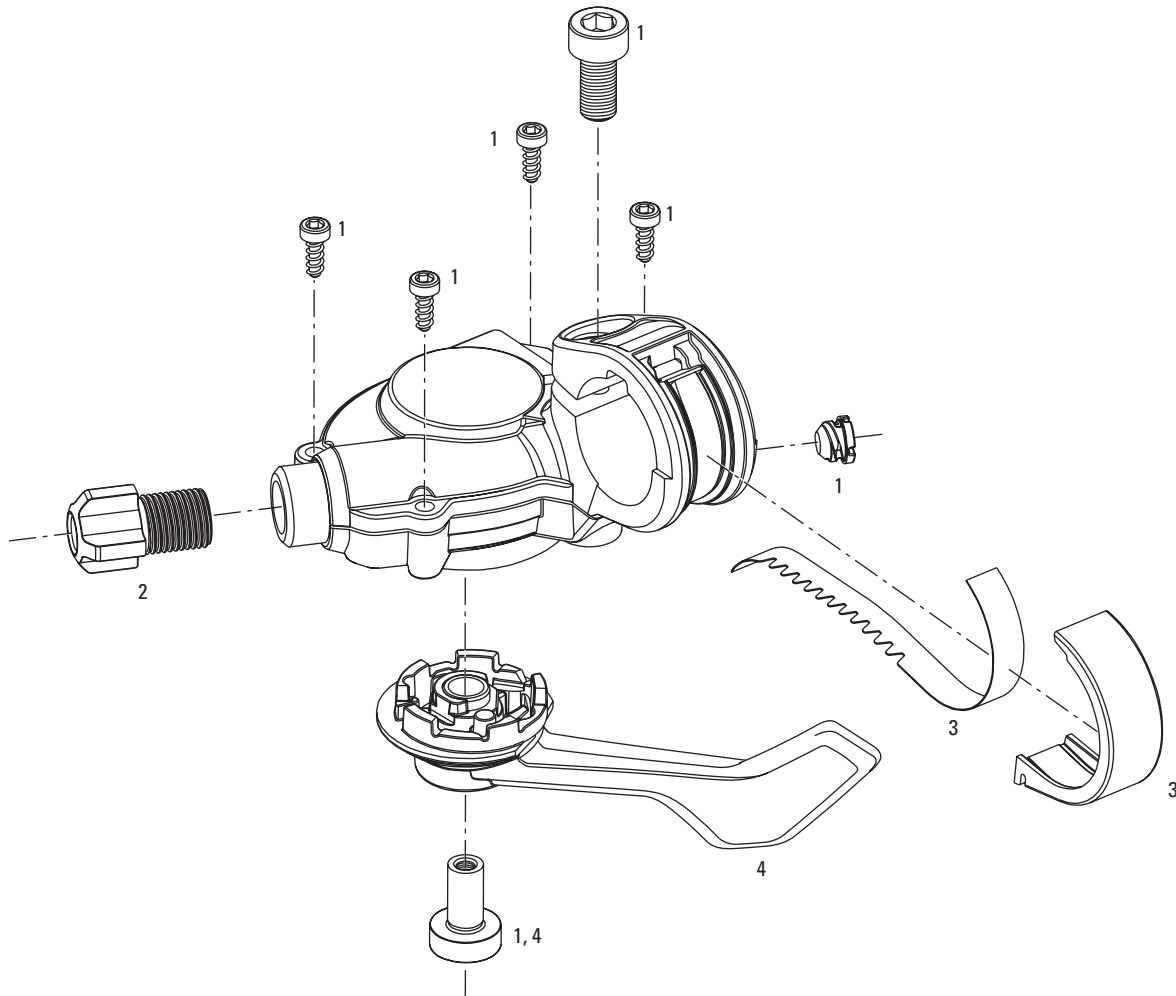
No. Part Number Description

1a	11.7015.024.000	07-09 X0/X9 Trigger Barrel Adjuster Qty 2 (M6, 3PC)
1b	11.7015.025.000	06-07 X0 / 07 X9 Trigger Barrel Adj Qty 2 (M10, 2PC)
2	11.7015.033.000	07-09 X0/X9/X7 Trigger Clamp/Bolt Kit, Qty 1
3	11.7015.031.000	07-09 X9 Trigger Bolt/Screw/Svc Kit Qty 1 New (< Nov 06)
4	11.7015.027.000	07-09 X9 Trigger Cover/Cap, Left New (< Nov 06)
4	11.7015.028.000	07-09 X9 Trigger Cover/Cap, Right New (< Nov 06)
5	11.7015.029.000	07-09 X9 Pull Lever Assy, Left New (< Nov 06)
5	11.7015.030.000	07-09 X9 Pull Lever Assy, Right New (< Nov 06)
ns	11.7015.033.070	Trigger Clamp/Bolt Kit Shiny Black Qty 1



No. Part Number Description

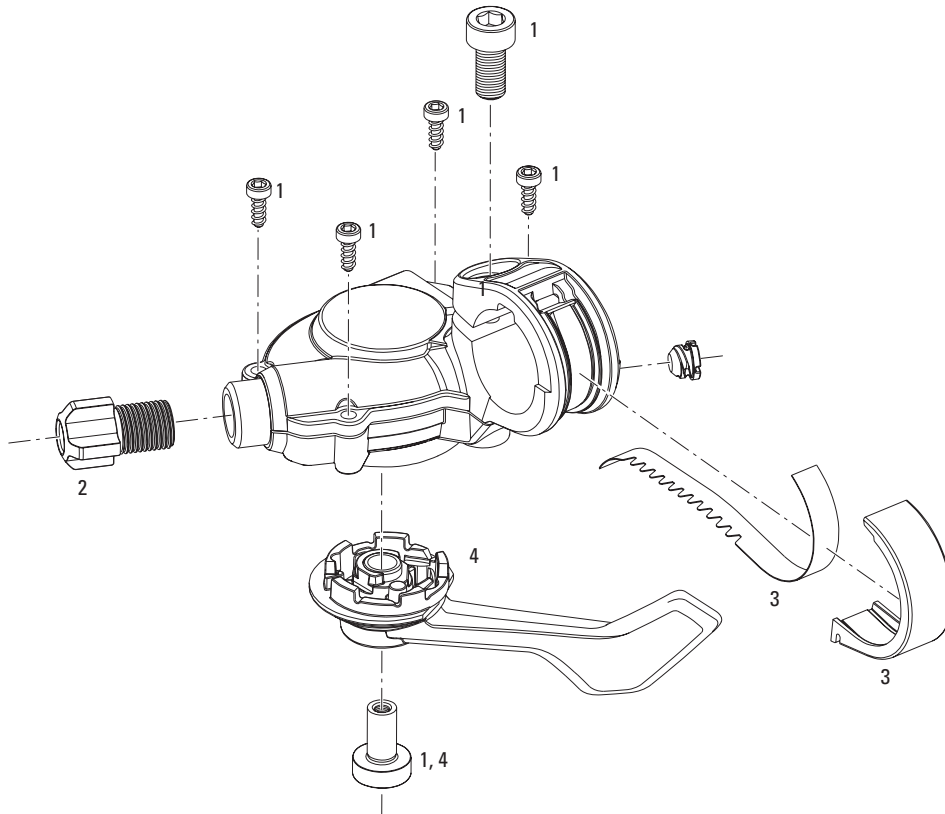
1	11.7015.056.000	11 SL X9 10-11 X7 Barrel Adjuster Qty 2
2	11.7015.057.000	2010 X7 Trigger Cover Kit Left Black
2	11.7015.057.010	2010 X7 Trigger Cover Kit Left Silver
2	11.7015.057.020	2010 X7 Trigger Cover Kit Right Black
2	11.7015.057.030	2010 X7 Trigger Cover Kit Right Silver
3	11.7015.058.000	2010 X7 Trigger Pull Lever Kit Left
3	11.7015.058.010	2010 X7 Trigger Pull Lever Kit Right
4	11.7015.033.000	07-09 X0/X9/X7 Trigger Clamp/Bolt Kit, Qty 1



No. Part Number Description

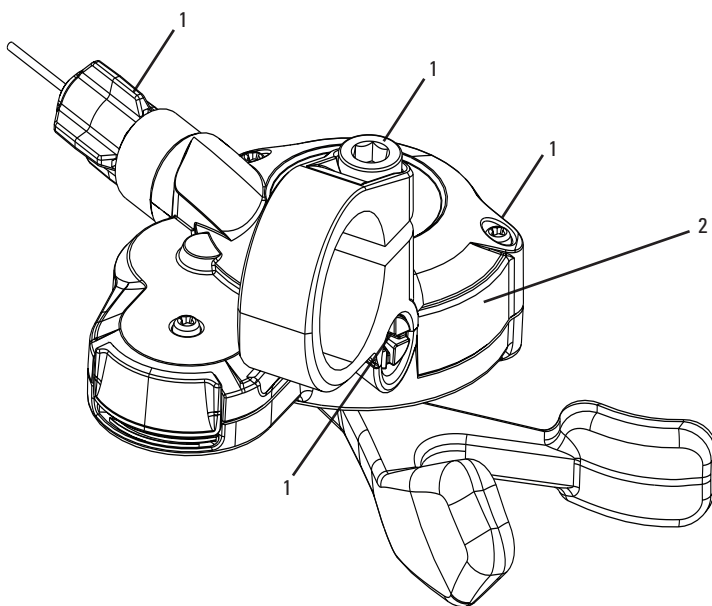
1	00.0000.200.931	Trigger Bolt Kit Qty 1 - 06 X9 / 07-09 X7 / Rocket /Attack / 07 SX5 / 08-09 X5 - XGen / DualDrive
2	11.7015.025.000	06-07 X0 / 07 X9 Trigger Barrel Adj Qty 2 (M10, 2PC)
3	00.0000.200.934	Gear Indicator/Lens 8spd Left/Right - 06 X9 / 07-09 X7 / Rocket /Attack / SX5 / X5 / XGen
3	00.0000.200.933	Gear Indicator/Lens 9spd Left/Right - 06 X9 / 07-09 X7 / Rocket /Attack / SX5 / X5 / Xgen
4	00.0000.200.935	Pull Lever Assy, Left - 06 X9 / 07-09 X7 / Rocket
4	00.0000.200.938	Pull Lever Assy, Right - 06 X9 / 07-09 X7 / Rocket

**SRAM X.5, X-GEN (2008-2010) / SRAM X.9 (05) / SRAM X.7 (05-06)
ROCKET, ATTACK (05-09) / DUALDRIVE (06-08) / SX5 (07) - TRIGGER SHIFTER 3x9**



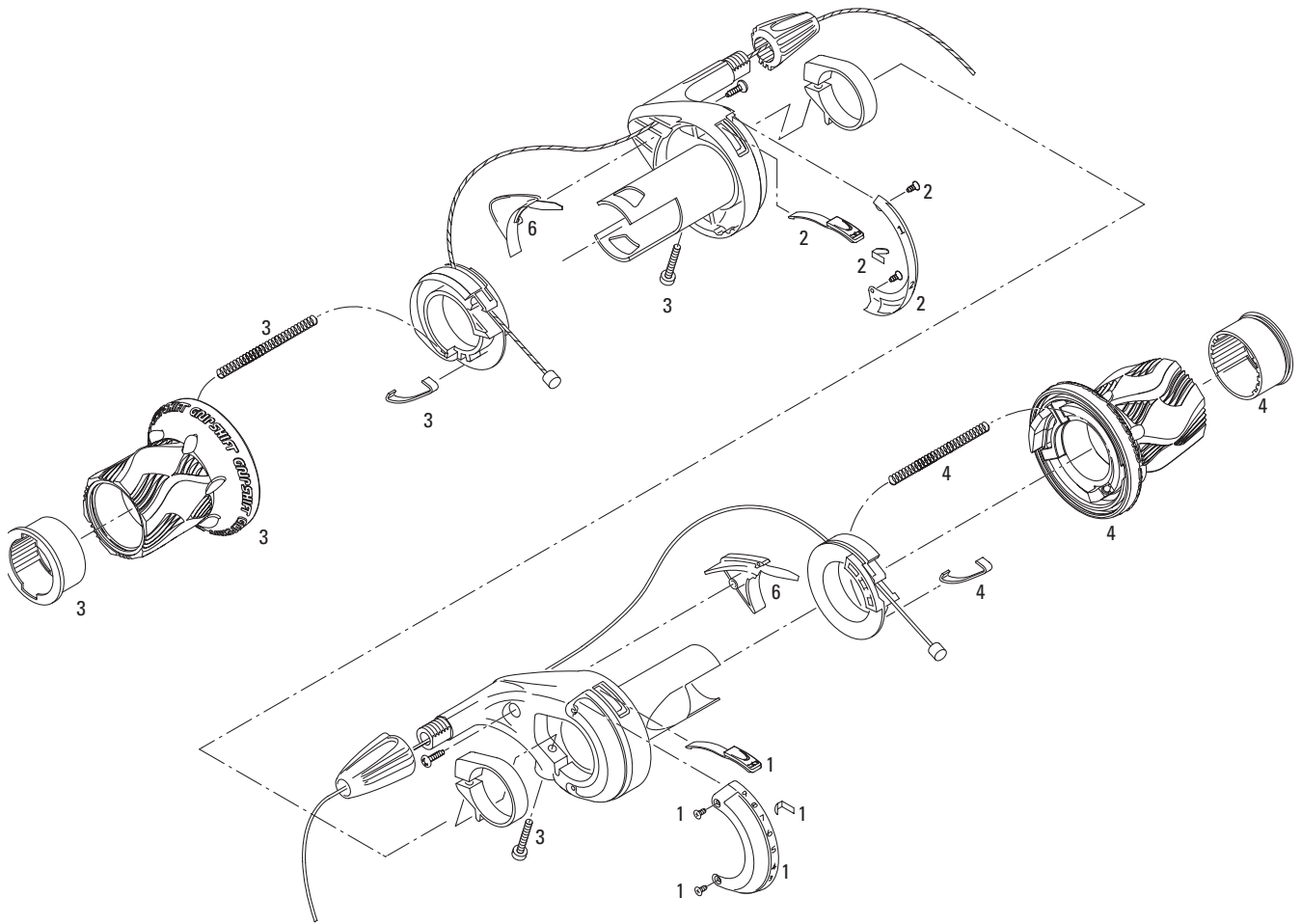
No. Part Number Description

1	00.0000.200.931	Trigger Bolt Kit Qty 1 - 06 X9 / 07-09 X7 / Rocket /Attack / 07 SX5 / 08-09 X5 - XGen / Dualdrive
2	11.7015.025.000	06-07 X0 / 07 X9 Trigger Barrel Adj Qty 2 (M10, 2PC)
3	00.0000.200.934	Gear Indicator/Lens 8Spd Left/Right - 06 X9 / 07-09 X7 / Rocket /Attack / SX5 / X5 / XGen
3	00.0000.200.933	Gear Indicator/Lens 9Spd Left/Right - 06 X9 / 07-09 X7 / Rocket /Attack / SX5 / X5 / XGen
4	00.0000.200.935	Pull Lever Assy, Left - 06 X9 / 07-09 X7 / Rocket
4	00.0000.200.938	Pull Lever Assy, Right - 06 X9 / 07-09 X7 / Rocket



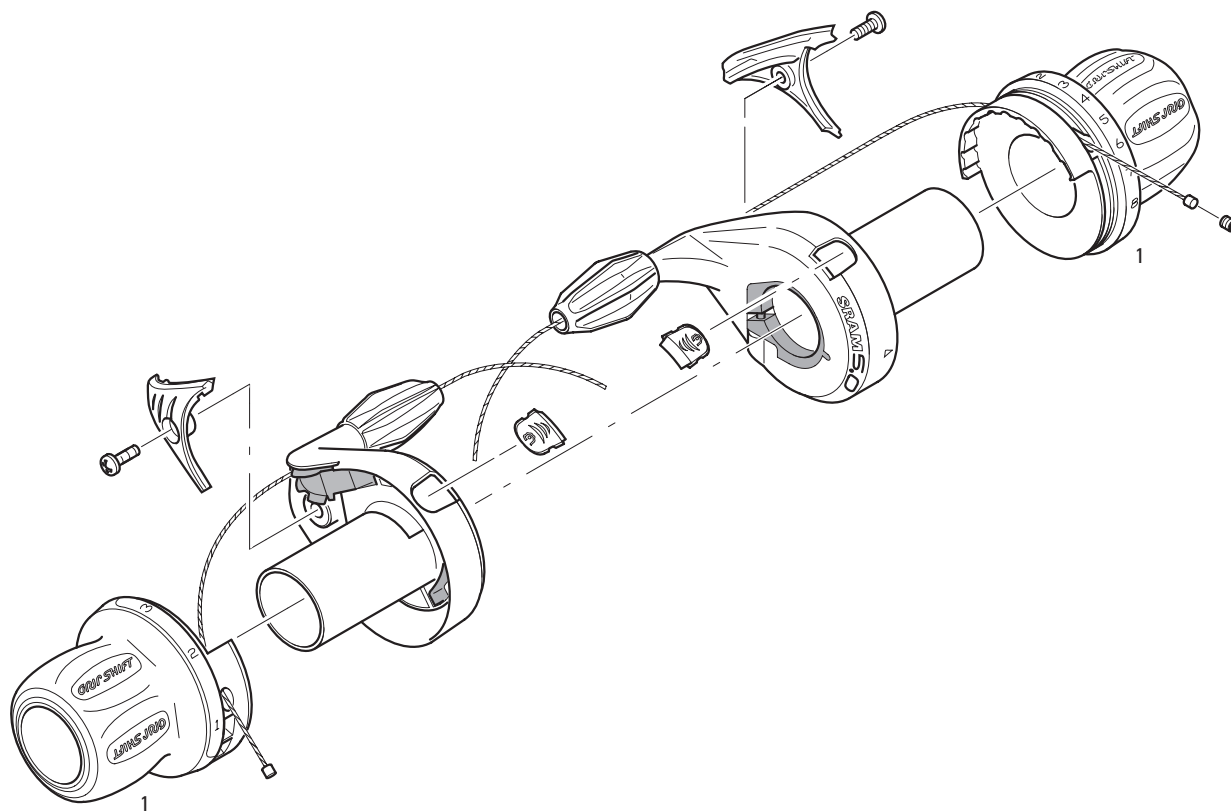
No. Part Number Description

1	11.7015.043.000	Trigger Spare Parts Kit, Qty 1 - 08 Sx4 / TRX
1	11.7015.051.000	X.4 Trgger Spare Parts Kit, Qty 1
2	11.7015.063.000	X4 X3 VIA Gear Indicator Lens w X4 X3 Via Backgrounds Left
2	11.7015.063.010	X4 X3 VIA Gear Indicator Lens w X4 X3 Via Backgrounds Right



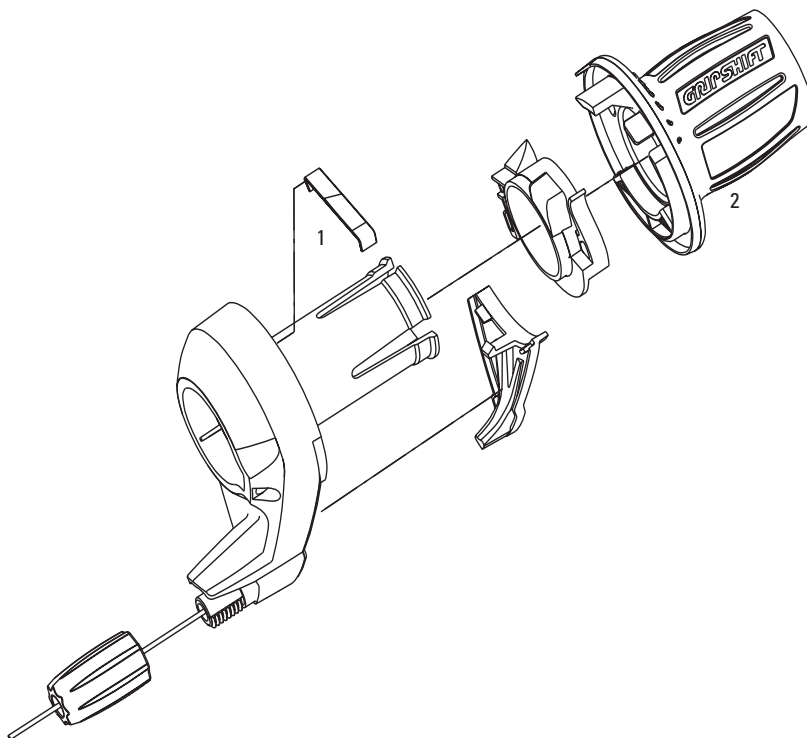
No. Part Number Description

1	00.0000.200.524	X0 / X9 / X7 Gear Indicator Kit, Right, 9spd
1	00.0000.200.528	Rocket Gear Indicator Kit, Right, 9spd
2	00.0000.200.561	X0 / X9 / X7 / Rocket Gear Indicator Kit, Left
3	00.0000.200.598	X0 Grip Assy, Left, Micro Adjust
3	00.0000.200.599	X0 Grip Assy, Left, Index
3	00.0000.200.562	X9 / Rocket Grip Assy, Left, Micro Adjust
3	00.0000.200.569	X9 / Rocket Grip Assy, Left, Index
3	00.0000.200.596	X7 / Attack Grip Assy, Left, Micro Adjust
3	00.0000.200.597	X7 / Attack Grip Assy, Left, Index
4	00.0000.200.610	X0 Grip Assy, Right, 8/9spd
4	00.0000.200.606	X9 Grip Assy, Right, 8/9spd
4	00.0000.200.608	X7 Grip Assy, Right, 8/9spd
4	00.0000.200.609	Attack Grip Assy, Right



No. Part Number Description

1 00.0000.200.350 5.0/Centura Shorty Grips, Pair



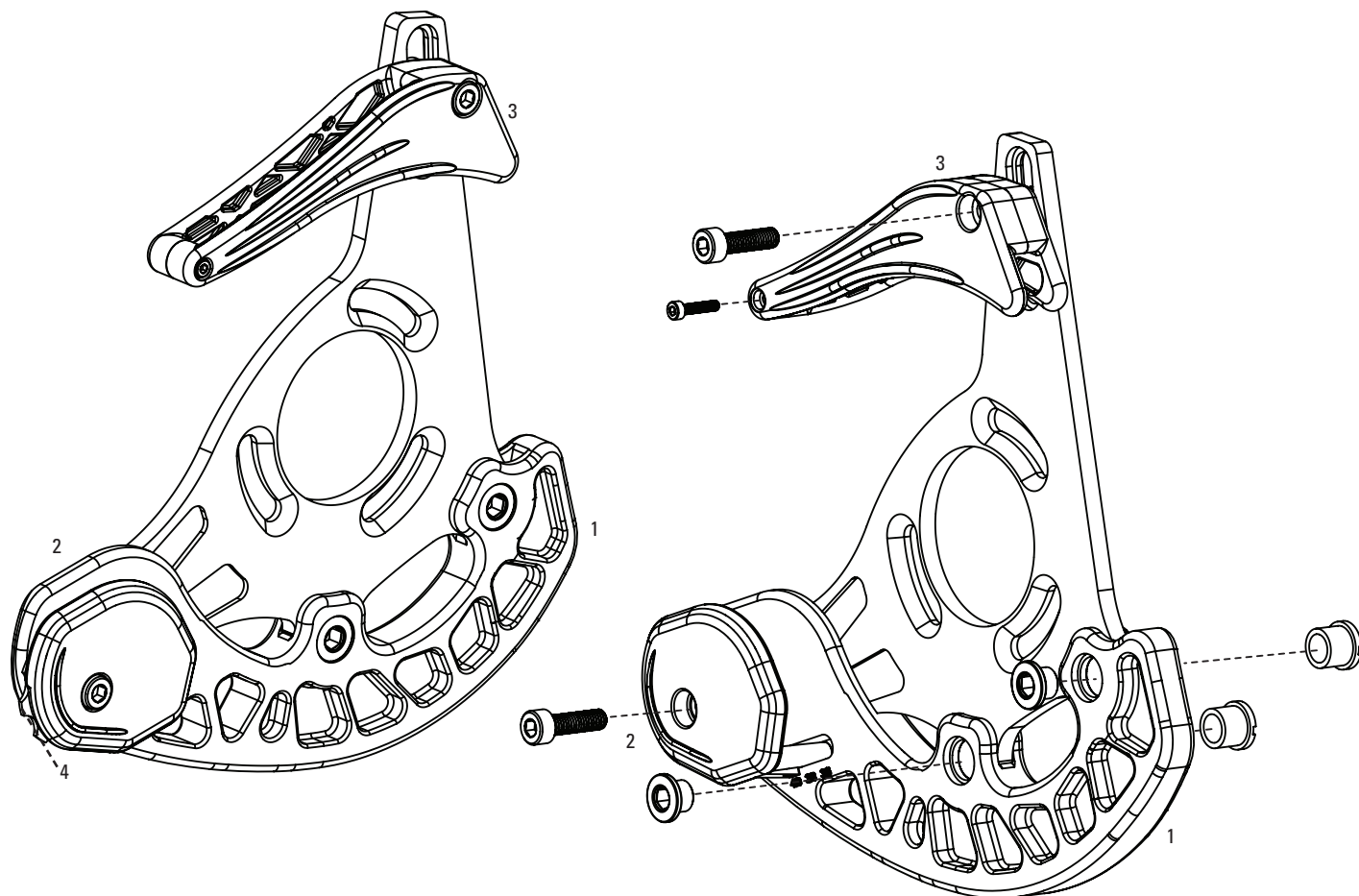
No. Part Number Description

1	00.0000.600.166	Indexing Spring, 3.0 Comp / MRX Comp
1	11.7015.067.000	Indexing Spring 3.0 / MRX 10pcs
2	00.0000.200.658	MRX Grip COVER Set, black

**Part Number Description**

11.6115.529.100	XX Left Crank Arm GXP Q156 170
11.6115.529.110	XX Left Crank Arm GXP Q156 175
11.6115.529.140	XX Left Crank Arm GXP Q166 170
11.6115.529.150	XX Left Crank Arm GXP Q166 175
11.6215.188.120	XX Chain Ring 26T S1 80 AL3 Tungsten Grey 10 speed
11.6215.188.130	XX Chain Ring 28T S1 80 AL3 Tungsten Grey 10 speed
11.6215.188.140	XX Chain Ring 39T S1 120 AL6 Tungsten Grey L-Pin GXP 10 speed
11.6215.188.150	XX Chain Ring 39T S1 120 AL6 Tungsten Grey S-Pin BB30 10 speed
11.6215.188.160	XX Chain Ring 39T S1 120 AL6 Tungsten Grey C-Pin Cannondale 10 speed
11.6215.188.170	XX Chain Ring 42T S1 120 AL6 Tungsten Grey L-Pin GXP 10 speed
11.6215.188.180	XX Chain Ring 42T S1 120 AL6 Tungsten Grey S-Pin BB30 10 speed
11.6215.188.190	XX Chain Ring 42T S1 120 AL6 Tungsten Grey C-Pin Cannondale 10 speed
11.6215.193.060	XX Chain Ring Bolt Kit 4x2
11.6415.001.000	Bottom Bracket Bearing Adjuster BB30 Press Fit 30
11.6900.002.160	Crank Arm Bolt M15/M26 Alloy Self-Extracting GXP Black Qty 1
11.6115.530.060	Crank Arm Bolt M18/M30 Alloy Self-Extracting BB30 Right (S-series & MTB) Qty 1
11.2415.026.000	XX, PG1099, PG1080, PG999 Cassette Lockring 11T
00.6415.042.000	BB30 Spacer Kit 2 X 2.5mm
11.6415.004.000	GXP Drive Side Reducer Shield Qty 10

NOTE: XX crank is compatible with XX 10 speed cassette, XX front derailleur and XX rear derailleur only.



NOTE

1. All kits include hardware

No.	Part Number	Description
1	11.6315.032.000	Truvativ X0 Chain Guide 36-40T Black Skid Plate Kit
1	11.6315.032.010	Truvativ X0 Chain Guide 36-40T White Skid Plate Kit
1	11.6315.032.020	Truvativ X0 Chain Guide 32-36T Black Skid Plate Kit
1	11.6315.032.030	Truvativ X0 Chain Guide 32-36T White Skid Plate Kit
2	11.6315.033.000	Truvativ X0 Chain Guide Black Lower Guide Kit
2	11.6315.033.010	Truvativ X0 Chain Guide White Lower Guide Kit
3	11.6315.033.020	Truvativ X0 Chain Guide Black Upper Guide Kit
3	11.6315.033.030	Truvativ X0 Chain Guide White Upper Guide Kit
4	11.6315.034.000	Truvativ X0 Chain Guide Pulley Kit

X0 / X9 / SRAM - CRANK / CRANK CHAIN RINGS



Part Number	Description
11.6115.543.080	Left Arm X0 GXP 170 Silver
11.6115.543.010	Left Arm X0 GXP 170 Red
11.6115.543.020	Left Arm X0 GXP 170 Gold
11.6115.543.000	Left Arm X0 GXP 170 Black
11.6115.543.030	Left Arm X0 GXP 170 Blue
11.6115.543.090	Left Arm X0 GXP 175 Silver
11.6115.543.050	Left Arm X0 GXP 175 Red
11.6115.543.060	Left Arm X0 GXP 175 Gold
11.6115.543.040	Left Arm X0 GXP 175 Black
11.6115.543.070	Left Arm X0 GXP 175 Blue
11.6115.550.000	Left Arm X0DH GXP 175 Red
11.6115.550.010	Left Arm X0DH GXP 170 Red
11.6115.550.020	Left Arm X0DH GXP 170 Red
11.6115.550.030	Left Arm X0DH GXP 175 Silver
11.6115.550.040	Left Arm X0DH GXP 170 Silver
11.6115.550.050	Left Arm X0DH GXP 170 Silver
11.6115.551.000	Spider X0DH 104/64 bcd Single Speed GXP Mirror Black
11.6115.551.010	Spider X0DH 104/64 bcd Single Speed BB30 Mirror Black
11.6115.544.000	Left Arm X9 GXP 170 Grey
11.6115.544.010	Left Arm X9 GXP 170 White
11.6115.544.020	Left Arm X9 GXP 170 Red
11.6115.544.030	Left Arm X9 GXP 175 Grey
11.6115.544.040	Left Arm X9 GXP 175 White
11.6115.544.050	Left Arm X9 GXP 175 Red
11.6115.544.060	Left Arm X9 GXP 180 Grey
11.6115.544.070	Left Arm X9 GXP 180 White
11.6115.545.000	Left Arm X7 3.3 GXP 170 Storm Grey
11.6115.545.010	Left Arm X7 3.3 GXP 175 Storm Grey
11.6115.545.020	Left Arm X7 3.3 GXP 180 Storm Grey
11.6115.548.000	Left Arm X5 GXP 170 Black
11.6115.548.010	Left Arm X5 GXP 175 Black
11.6115.548.020	Left Arm X5 GXP 170 Silver
11.6115.548.030	Left Arm X5 GXP 175 Silver
11.6115.542.000	Left Arm S1400 GXP 170 Blast Black
11.6115.542.010	Left Arm S1400 GXP 175 Blast Black
11.6115.541.000	Left Arm S1000 GXP 170 Blast Black
11.6115.541.010	Left Arm S1000 GXP 175 Blast Black
11.6215.188.310	Chain Ring MTB 26T S1 80 AL3 Blast Black 2x10
11.6215.188.300	Chain Ring MTB 28T S1 80 AL3 Blast Black 2x10
11.6215.188.250	Chain Ring MTB 39T S2 120 AL6 White L-Pin GXP 2x10
11.6215.188.260	Chain Ring MTB 39T S2 120 AL6 Blast Black L-Pin GXP CNC 2x10
11.6215.188.270	Chain Ring MTB 39T S2 120 AL6 Blast Black S-Pin BB30 CNC 2x10
11.6215.188.220	Chain Ring MTB 42T S2 120 AL6 White L-Pin GXP 2x10
11.6215.188.230	Chain Ring MTB 42T S2 120 AL6 Blast Black S-Pin BB30 CNC 2x10
11.6215.188.240	Chain Ring MTB 42T S2 120 AL6 Blast Black L-Pin GXP CNC 2x10
11.6215.188.280	Chain Ring MTB 33T S1 104 AL5 Tungsten Grey 3x10
11.6215.188.290	Chain Ring MTB 33T S1 104 AL5 Blast Black 3x10
11.6215.188.200	Chain Ring MTB 44T S1 104 AL5 Blast Black L-Pin GXP CNC 3x10
11.6215.188.210	Chain Ring MTB 44T S1 104 AL5 Blast Black S-Pin BB30 CNC 3x10
11.6215.188.320	Chain Ring MTB 36T S1 104 AL3 Blast Black 2x10
11.6215.188.350	Chain Ring MTB 38T S1 104 AL5 Blast Black 2x10
11.6215.188.370	Chain Ring MTB 22T S1 64 AL3 Blast Black 2x10,3x10
11.6215.193.070	Chain Ring Bolt Kit 4x2 Steel/Steel Black
11.6215.193.080	Chainring Bolt Kit 4x2 Aluminum/Steel Black
11.6900.002.160	Crank Arm Bolt M15/M26 Alloy Self-Extracting GXP Black Qty 1
11.6115.530.060	Crank Arm Bolt M18/M30 Alloy Self-Extracting BB30 Right (S-series & MTB) Qty 1

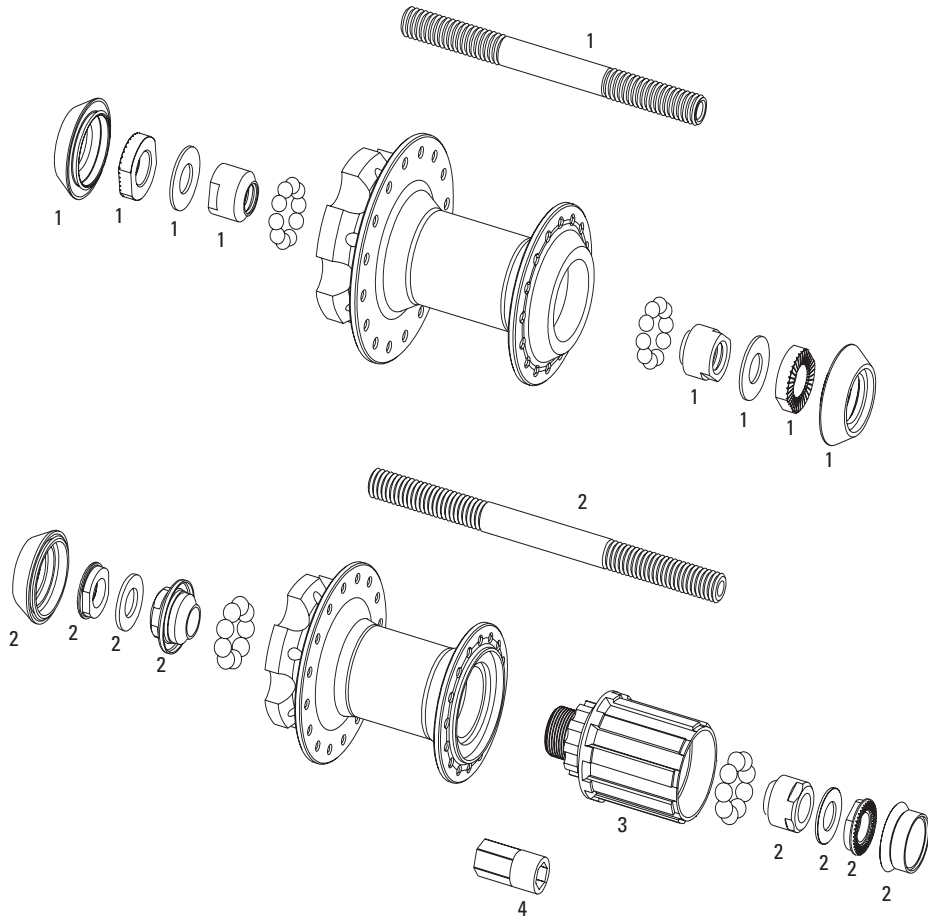
TRUVATIV 10-SPEED MTB CHAIN RING SETS WITH SPIDER CASSETTE (10 SPEED / 9 SPEED) BOTTOM BRACKETS



Part Number Description

00.6215.001.000	Truvativ Crank XX Chainrings & Spider for S-Works Crank 2639
00.6215.001.010	Truvativ Crank XX Chainrings & Spider for S-Works Crank 2842
00.6215.005.000	Truvativ Crank 10-speed Chainring Set All Mountain Guard-38-24 with X0 GXP Spider 49 Chainline 104/64 BCD
00.6215.005.010	Truvativ Crank 10-speed Chainring Set All Mountain Guard-38-24 with X0 BB30 Spider 49 Chainline 104/64 BCD
00.6215.005.020	Truvativ Crank 10-speed Chainring Set All Mountain Guard-38-24 with X9 GXP Spider 49 Chainline 104/64 BCD
00.6215.005.030	Truvativ Crank 10-speed Chainring Set All Mountain Guard-38-24 with X9 BB30 Spider 49 Chainline 104/64 BCD
00.6215.005.080	Truvativ Crank 10-speed Chainring Set All Mountain Guard-36-22 with X0 GXP Spider 49 Chainline 104/64 BCD
00.6215.005.090	Truvativ Crank 10-speed Chainring Set All Mountain Guard-36-22 with X0 BB30 Spider 49 Chainline 104/64 BCD
00.6215.005.100	Truvativ Crank 10-speed Chainring Set All Mountain Guard-36-22 with X9 GXP Spider 49 Chainline 104/64 BCD
00.6215.005.110	Truvativ Crank 10-speed Chainring Set All Mountain Guard-36-22 with X9 BB30 Spider 49 Chainline 104/64 BCD
00.6215.005.140	Truvativ Crank 10-speed Chainring Set 38-24 with X9 Specialized GXP Spider 49 Chainline 104/64 BCD
00.6215.005.120	Truvativ Crank 10-speed Chainring Set 36-22 with X9 Specialized GXP Spider 49 Chainline 104/64 BCD
00.6215.005.130	Truvativ Crank 10-speed Single Speed Chainring Set 36 with X0DH GXP Spider 51 Chainline 104 BCD
00.6215.004.100	Truvativ Crank 10-speed Single Speed Chainring & Guard 32T with X9 GXP Spider 51 Chainline 104 BCD
00.6215.004.110	Truvativ Crank 10-speed Chainring Set 39-26 with X0 GXP Spider 120/80 BCD
00.6215.004.120	Truvativ Crank 10-speed Chainring Set 39-26 with X9 GXP Spider 120/80 BCD
00.6215.004.130	Truvativ Crank 10-speed Chainring Set 42-28 with X0 GXP Spider 120/80 BCD
00.6215.004.140	Truvativ Crank 10-speed Chainring Set 42-28 with X9 GXP Spider 120/80 BCD
00.6215.004.150	Truvativ Crank 10-speed Chainring Set 39-26 with X0 BB30 Spider 120/80 BCD
00.6215.004.160	Truvativ Crank 10-speed Chainring Set 39-26 with X9 BB30 Spider 120/80 BCD
00.6215.004.170	Truvativ Crank 10-speed Chainring Set 42-28 with X0 BB30 Spider 120/80 BCD
00.6215.004.180	Truvativ Crank 10-speed Chainring Set 42-28 with X9 BB30 Spider 120/80 BCD
00.6215.004.190	Truvativ Crank 10-speed Chainring Set 44-33-22 with X0 GXP Spider 104/64 BCD
00.6215.004.200	Truvativ Crank 10-speed Chainring Set 44-33-22 with X9 GXP Spider 104/64 BCD
00.6215.004.210	Truvativ Crank 10-speed Chainring Set 44-33-22 with X0 BB30 Spider 104/64 BCD
00.6215.004.220	Truvativ Crank 10-speed Chainring Set 44-33-22 with X9 BB30 Spider 104/64 BCD
11.2415.022.000	Cassette Lockring Aluminum PG990, PG970 DH for 11T Red
11.2415.013.000	Cassette Lockring Aluminum OG1070, PG970 For 12T
11.2415.027.000	Cassette PG1050, PG1030, PG950 Lockring 11T Steel
11.2415.027.010	Cassette PG1050, PG950 Lockring 12T Steel
11.2415.026.000	XX, PG1099, PG1080, PG999, PG990, PG970 OG1090, OG1070 Cassette Lockring 11T Aluminum
00.0000.201.007	Cassette Spacer PG990, 970DH, Qty 1
00.6415.042.000	BB30 Spacer Kit 2 X 2.5mm
11.6415.001.000	Bottom Bracket Bearing Adjuster BB30 Press Fit 30
11.6415.004.000	GXP Drive Side Reducer Shield Qty 10
11.6115.552.000	Wave Washer for GXP to PressFit Adapter 24.5mm QTY 5
11.6415.007.010	Bottom Bracket Shield and Wave Washer Assembly PressFit GXP MTB
11.6415.007.030	Bottom Bracket Shield and Wave Washer Assembly PressFit 30 Bearing
11.6415.007.040	Bottom Bracket Shield and Wave Washer Assembly Pressfit GXP Specialized 84.5

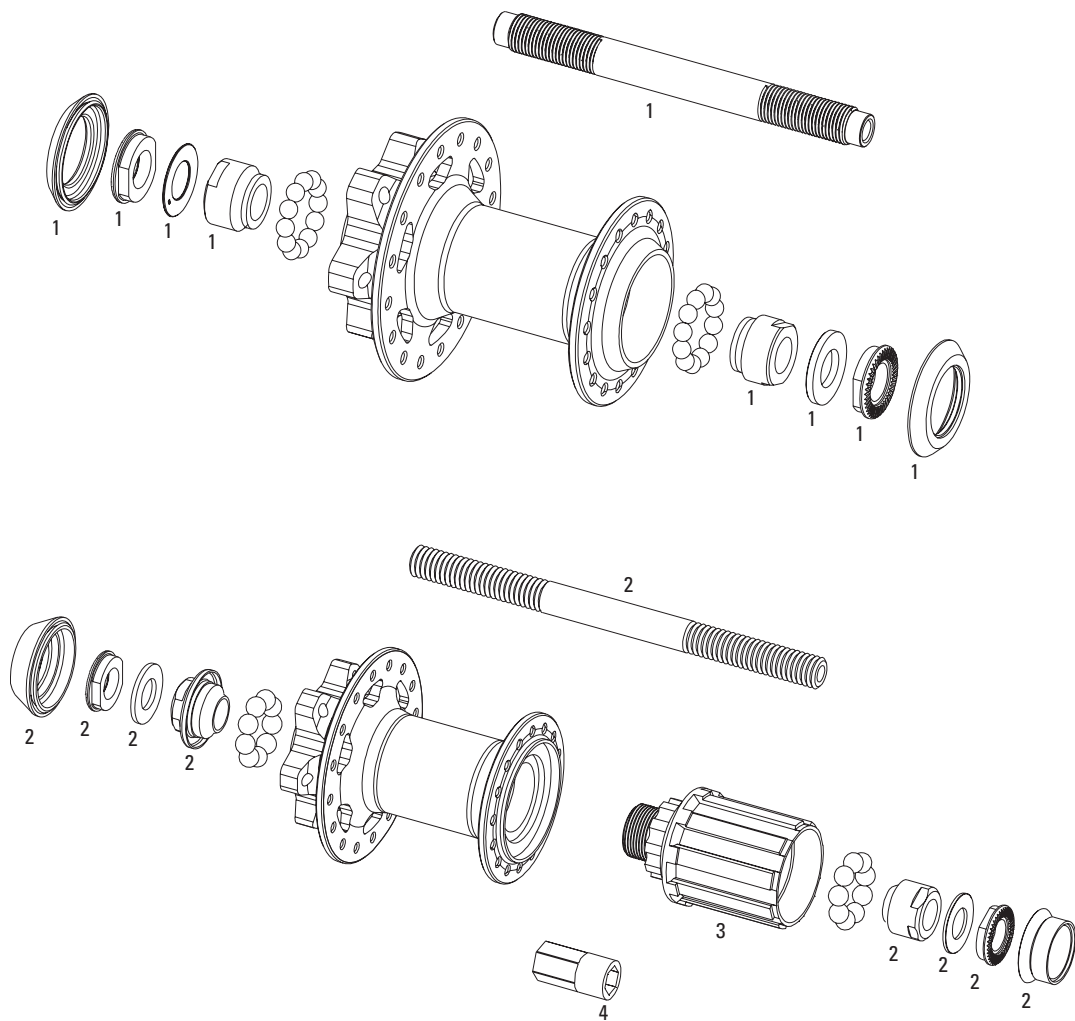
406 - MTB HUB



No.	Part Number	Description
-----	-------------	-------------

1	11.2015.017.000	Kit Complete Axle Assy, MTH 406 Front
2	11.2015.018.000	Kit Complete Axle Assy, MTH 406 Rear
3	11.2015.018.100	Kit Freehub Body, MTH 406
4	14.2015.000.000	SRAM MTB Hub FH Body Removal Tool (11mm adapter)

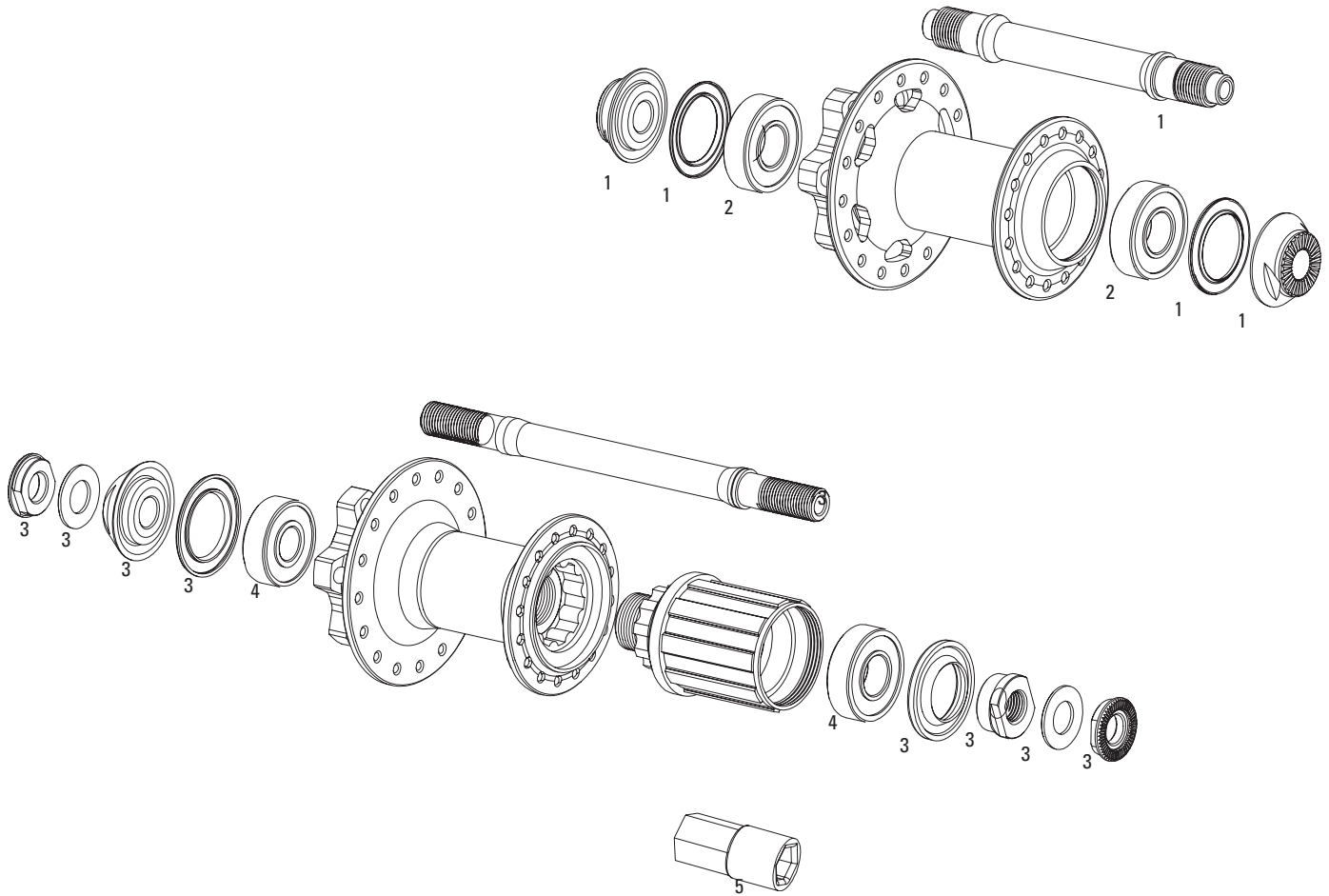
506 - MTB HUB



No.	Part Number	Description
-----	-------------	-------------

1	11.2015.022.000	Kit Complete Axle Assy, MTH 506 Front
2	11.2015.023.000	Kit Complete Axle Assy, MTH 506 Rear
3	11.2015.023.100	Kit Freehub Body, MTH 506
4	14.2015.000.000	Tool SRAM MTH FreeHub Body

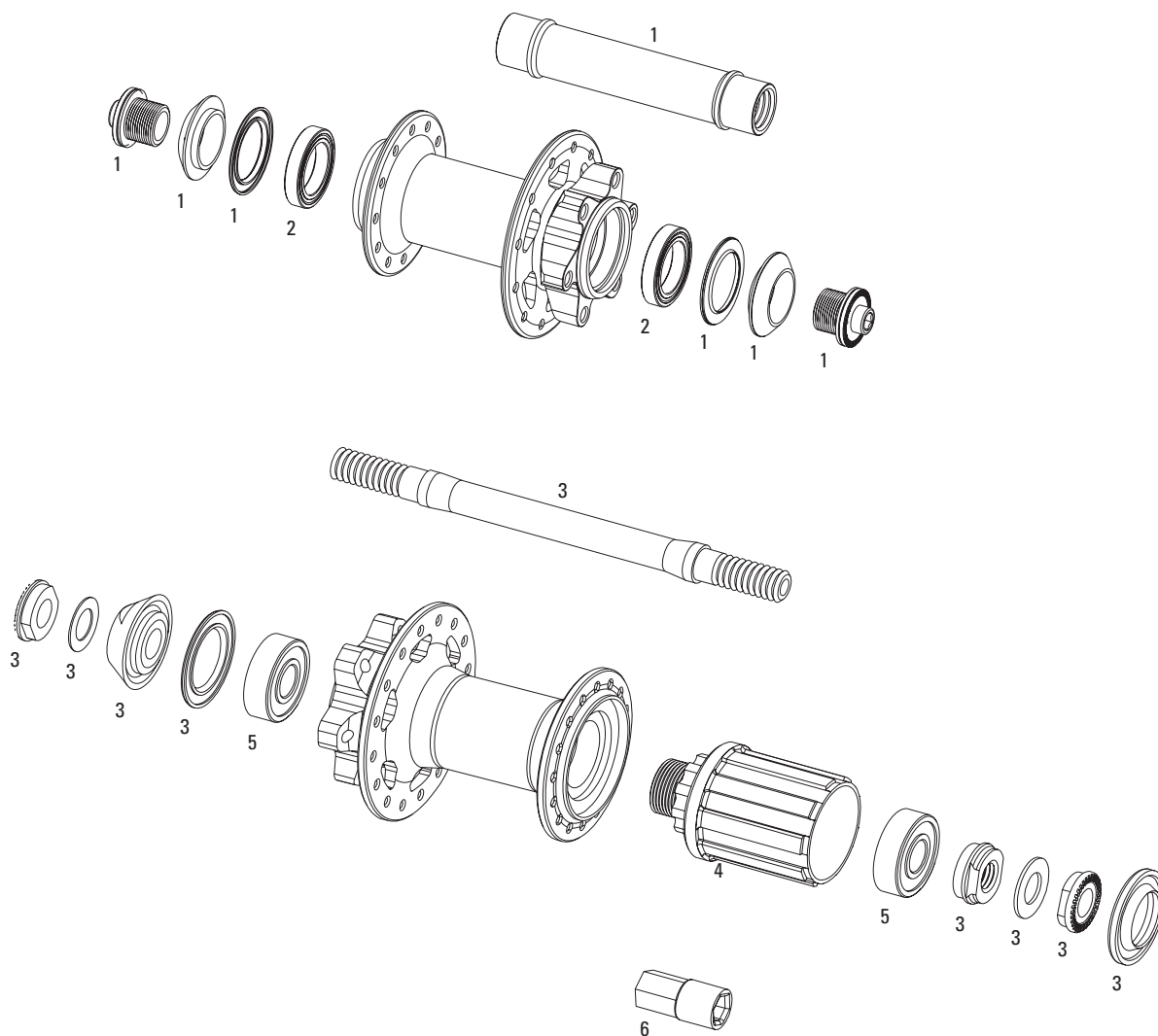
X7 - MTB HUB



No.	Part Number	Description
-----	-------------	-------------

1	11.2015.020.000	Kit Axle Assy X-7 & X-9 V2 Front
2	11.2015.024.100	Kit Hub Bearings X-7 Front
3	11.2015.021.000	Kit Axle Assy X-7 Rear
4	11.2015.021.100	Kit Hub Bearings X-7 Rear
5	14.2015.000.000	SRAM MTB Hub FH Body Removal Tool (11mm adapter)

X9 - MTB HUB



No.	Part Number	Description
-----	-------------	-------------

1	11.2015.027.000	Kit Complete Axle, X-9 Front
1	11.2015.020.000	Kit Axle Assy X-7 & X-9 V2 Front
1	11.2015.026.000	Kit Axle Assy X-9 F 15*100
1	11.2015.025.000	Kit Axle Assy X-9 F 20*110
2	11.2015.027.100	Kit Hub Bearings, X-9 Front
2	11.2015.020.100	Kit Hub Bearings X-9 V2 Front
2	11.2015.026.100	Kit Hub Bearings X-9 15*100
2	11.2015.025.100	Kit Hub Bearings X-9 20*110
3	11.2015.028.000	Kit Complete Axle Assy, X-9 Rear
3	11.2015.019.000	Kit Axle Assy X-9 V2 Rear
3	11.2015.029.000	Kit Axle Assy X-9 R 12*135
3	11.2015.030.000	Kit Axle Assy X-9 R 12*142
4	11.2015.019.200	Kit FH Body X-9 V2 Rear
4	11.2015.029.100	Kit FH Body X-9 12*135/142
4	11.2015.028.100	Kit Freehub Body, X-9
5	11.2015.028.200	Kit, Hub Bearings, X-9 Rear
5	11.2015.019.100	Kit Hub Bearings X-9 V2 Rear
5	11.2015.029.200	Kit Hub Bearings X-9 Rear 12*135/142
6	14.2015.000.000	SRAM MTB Hub FH Body Removal Tool (11mm adapter)

WHEELS - MTB

Part Number	Description
11.1915.085.030	Spokes/Nipples/Washer Short - Rise 60 26" F/R Qty 3
11.1915.085.040	Spokes/Nipples/Washer Long - Rise 60 26" F/R Qty 3
11.1915.083.010	Spokes/Nipples - Rise 40 26" F/R Qty 3
11.1915.083.020	Spokes/Nipples - Rise 40 29" F/R Qty 3
00.1915.232.010	Quick Release Pair Rise 60 Stainless
00.1915.002.020	Quick Release Pair X.9 Steel Black for MTB Wheels (use with Rise 40)
00.1915.228.010	Rim Strip 26" Pair for Rise 40, Rise 60
00.1915.228.020	Rim Strip 29" Pair for Rise 40, Rise 60
00.1915.230.010	Conversion Caps Wheel Rise 40 Front - 9QR 19 Standard
00.1915.230.020	Conversion Caps Wheel Rise 40 Front - 9QR 31 RockShox
00.1915.230.030	Conversion Caps Wheel Rise 40 Front - 15 Thru Axle
00.1915.231.010	Tool Conversion Cap Rise 40 Front (TBD)
00.1915.230.040	Conversion Caps Wheel Rise 60 Front - 9QR 19 Standard
00.1915.230.050	Conversion Caps Wheel Rise 60 Front - 9QR 31 RockShox
00.1915.230.060	Conversion Caps Wheel Rise 60 Front - 15 Thru Axle
00.1915.230.070	Conversion Caps Wheel Rise 60 Rear 10x135 QR
00.1915.230.080	Conversion Caps Wheel Rise 60 Rear 12x142 Thru Axle
11.1915.084.010	Decal Kit - Rise 60 MTB - 1 Rim

NOTES:

1. Conversion Cap Tool is required to convert Rise 40 axle caps; front wheel only.
2. Rise 40 rear hub is not convertible.
3. Rise 60 rear hub is convertible.
4. Rise 40 decals are baked on and are not replaceable.

NOTES

COPYRIGHT

This publication includes trademarks and registered trademarks of SRAM LLC designated by the symbols ™ and ®, respectively.

Copyright © 2012 SRAM LLC

www.sram.com

world headquarters

SRAM LLC
1333 n. kingsbury st., 4th fl
chicago, il 60642
phone +1-312-664-8800
fax +1-312-664-8826

european headquarters

SRAM europe
paasbosweg 14-16
3862ZS nijkerk
the netherlands
phone +31-33-450-6060
fax +31-33-457-0200

asian headquarters

SRAM taiwan
no. 1598-8 chung shan rd
shen kang hsiang, taichung
county road 49 taiwan r.o.c.
phone +886-4-2564-3678
fax +886-4-2561-3686