

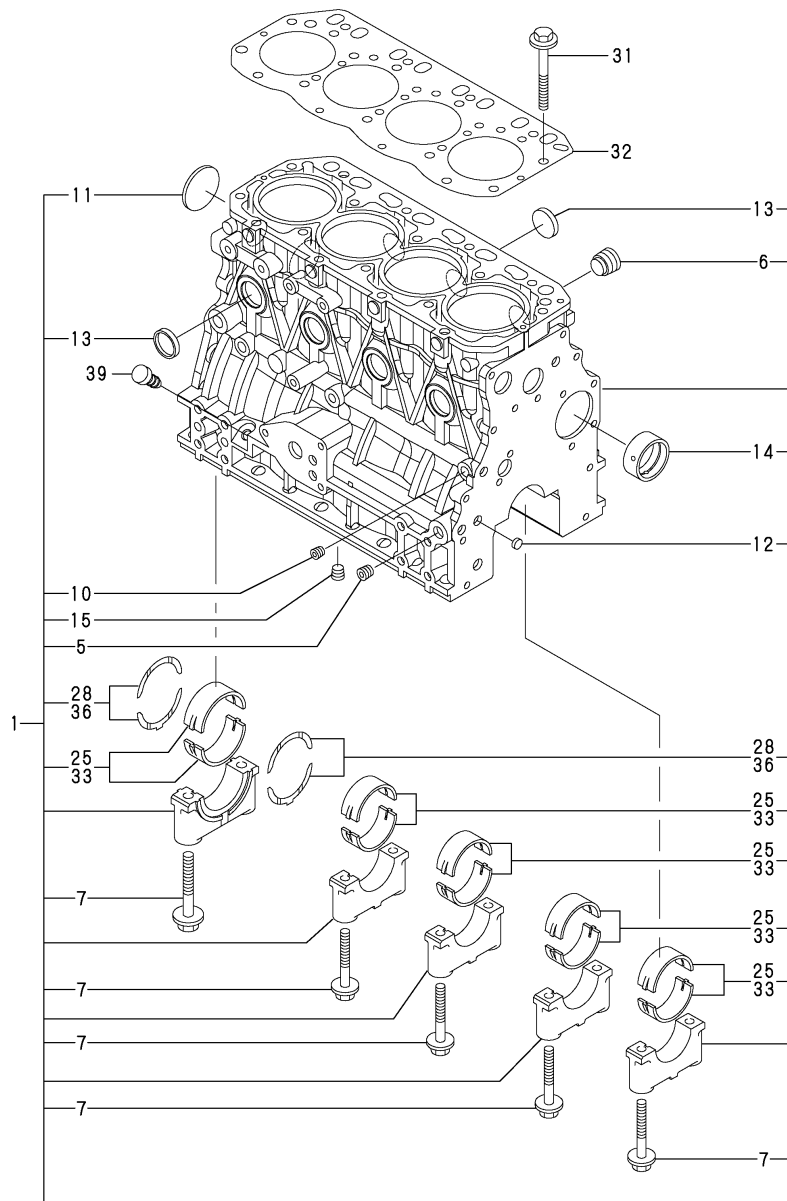


## Spare parts catalog- Yanmar engines

(A) = 4JH4E

Fig.1.CYLINDER BLOCK

(A)=4JH4E (D)=  
 (B)= (E)=  
 (C)= (F)=

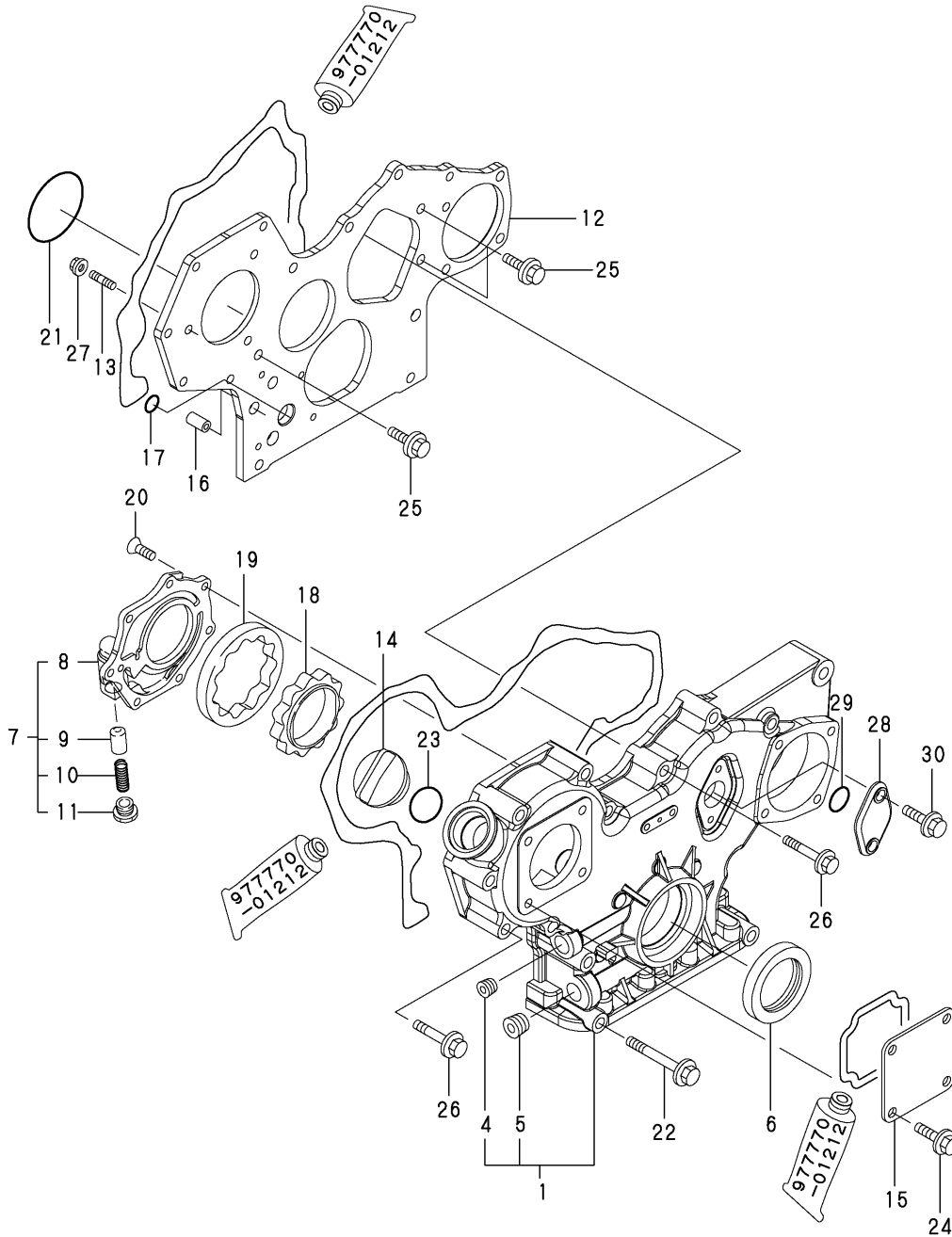


REF.	LEV.	PARTS NO.	DESCRIPTION	QTY						I	R
				(A)	(B)	(C)	(D)	(E)	(F)		
1	1	729602-01560	BLOCK ASSY, CYLINDER	1							
5	3	124160-01910	PLUG PT1/4	2							
6	3	171051-01921	PLUG	1							
7	3	129150-02020	BOLT, METAL CAP	10							
10	3	124060-01050	PLUG PT1/8	1							
11	3	129001-01250	PLUG 50	1							
12	3	27241-120000	PLUG 12	2							
13	3	27241-300000	PLUG 30	8							
14	3	129795-02411	BUSH, CAMSHAFT	1							
15	3	124160-01910	PLUG PT1/4	1							
25	2	129001-02930	MAIN BEARING SET	5							3
28	2	129150-02930	METAL, THRUST	2							
31	1	129150-01200	STUD, CYL. HEAD	18							
32	1	129407-01340	GASKET,CYL.HEAD	1							
33	1	129150-02870	MAIN METAL US=0.25	5							1
36	1	129150-02940	METAL,THRUST.25(2PIE)	1							2
39	1	124976-34850	CAP	1							

Remarks  
 (1)UNDER SIZED(U.S.=0.25)PART.  
 (2)OVER SIZED(O.S.=0.25)PART.  
 (3)REPAIR PART.

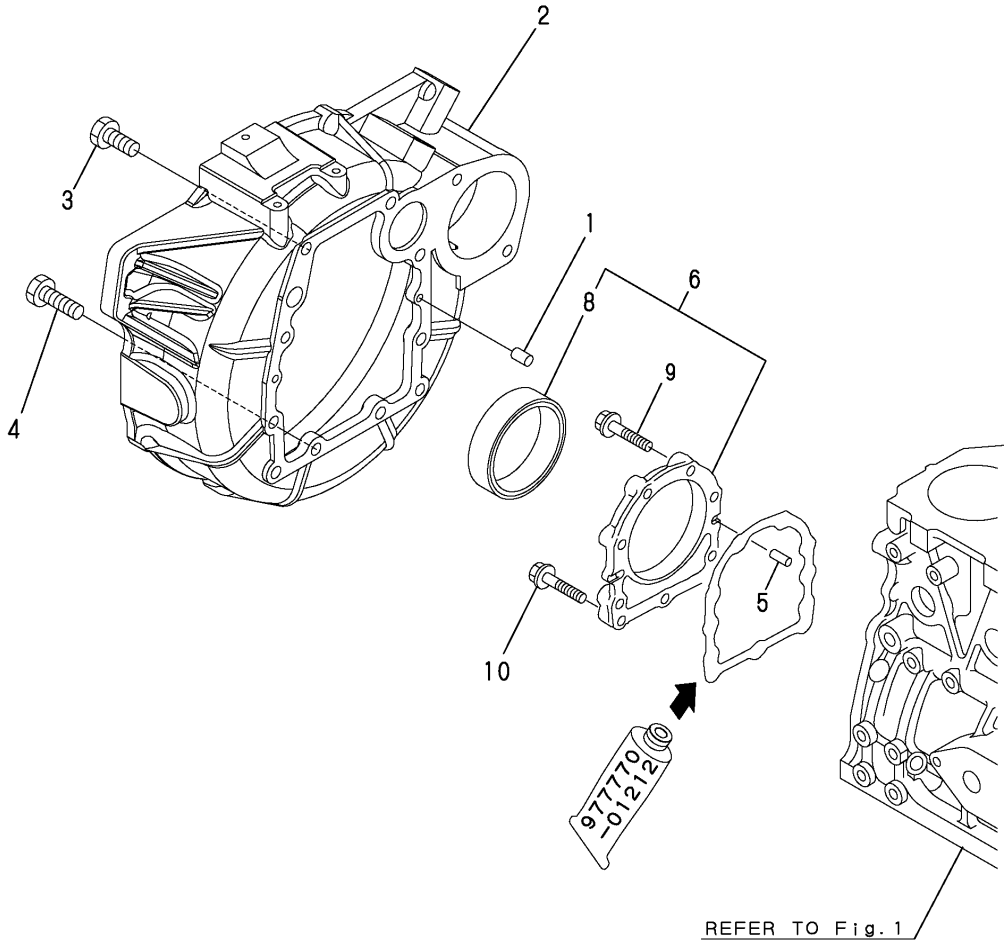
Fig.2.GEAR HOUSING

(A)=4JH4E (D)=  
 (B)= (E)=  
 (C)= (F)=



REF.	LEV.	PARTS NO.	DESCRIPTION	QTY						I	R
				(A)	(B)	(C)	(D)	(E)	(F)		
1	1	129271-01500	COVER,GEARS HOUSING	1							
4	2	23876-030000	PLUG PT3/8,SCREW	1							
5	2	23876-040000	PLUG PT 1/2	1							
6	1	129795-01800	SEAL, OIL	1							
7	1	119802-32100	COVER ASSY, PUMP	1							
8	2	119802-32070	COVER, LUB.OIL PUMP	1							
9	2	129900-32130	VALVE, RELIEF	1							
10	2	129418-32320	SPRING	1							
11	2	129001-32330	PLUG	1							
12	1	129004-01520	FRANGE, GEAR CASE	1							
13	1	119802-01560	STUD, M8X25	3							
14	1	124160-01751	COVER,FILLER	1							
15	1	124240-01871	COVER, HO-P	1							
16	1	129795-01950	PIPE, KNOCK L=18	2							
17	1	119609-32040	O-RING P16	4							
18	1	129508-32111	ROTOR, INNER	1							
19	1	129508-32120	ROTOR, OUTER	1							
20	1	119802-32130	SCREW, M6X16	7							
21	1	121850-51960	O-RING, F.I.PUMP	1							
22	1	129001-91841	BOLT M 8X 85 PLATED	3							
23	1	24311-000320	O-RING 1A P-32.0	1							
24	1	26106-080162	BOLT M 8X 16 PLATED	4							
25	1	26106-080162	BOLT M 8X 16 PLATED	3							
26	1	26106-080552	BOLT M 8X 55 PLATED	11							
27	1	26306-080002	NUT	3							
28	1	121023-01550	COVER, BLIND	1							
29	1	24341-000240	O-RING 1A S-24.0	1							
30	1	26106-060162	BOLT M 6X 16 PLATED	2							

Fig.3.FLYWHEEL HOUSING

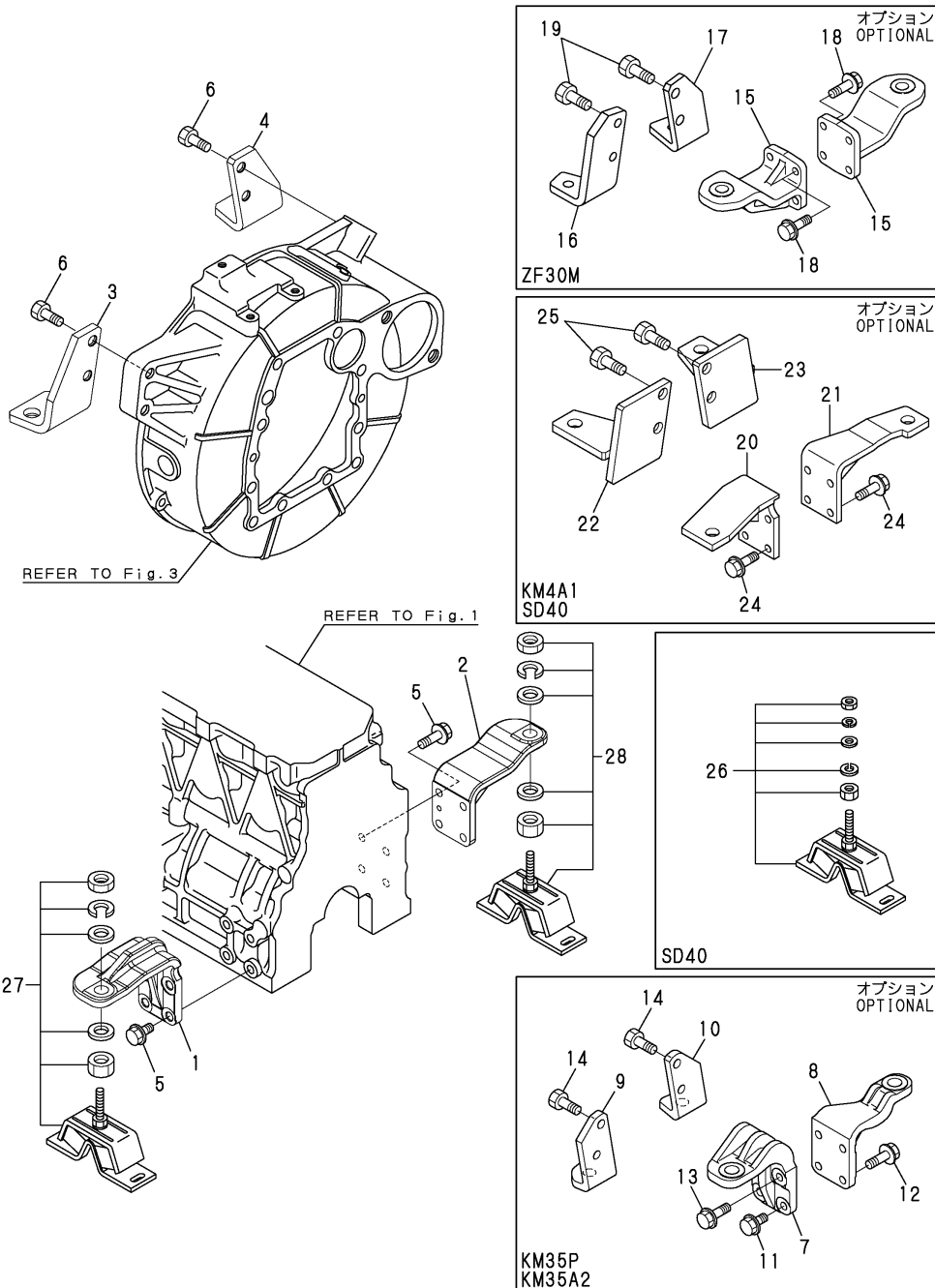


(A)=4JH4E (D)=  
 (B)= (E)=  
 (C)= (F)=

REF.	LEV.	PARTS NO.	DESCRIPTION	Q'TY						I	R
				(A)	(B)	(C)	(D)	(E)	(F)		
1	1	129100-01580	PARALLEL PIN 8X16	2							
2	1	129670-01600	FLYWHEEL HOUSING	1							
3	1	26206-100252	BOLT M10X25	6							
4	1	26206-100302	BOLT M10X30	4							
5	1	129100-01580	PARALLEL PIN 8X16	2							
6	1	129100-01640	CASE ASSY, OIL SEAL	1							
8	2	129795-01780	SEAL, OIL	1							
9	1	129486-01670	BOLT M8X30,COLLAR HD	6							
10	1	26106-080352	BOLT M 8X 35 PLATED	3							

Fig.4.MOUNTING FOOT

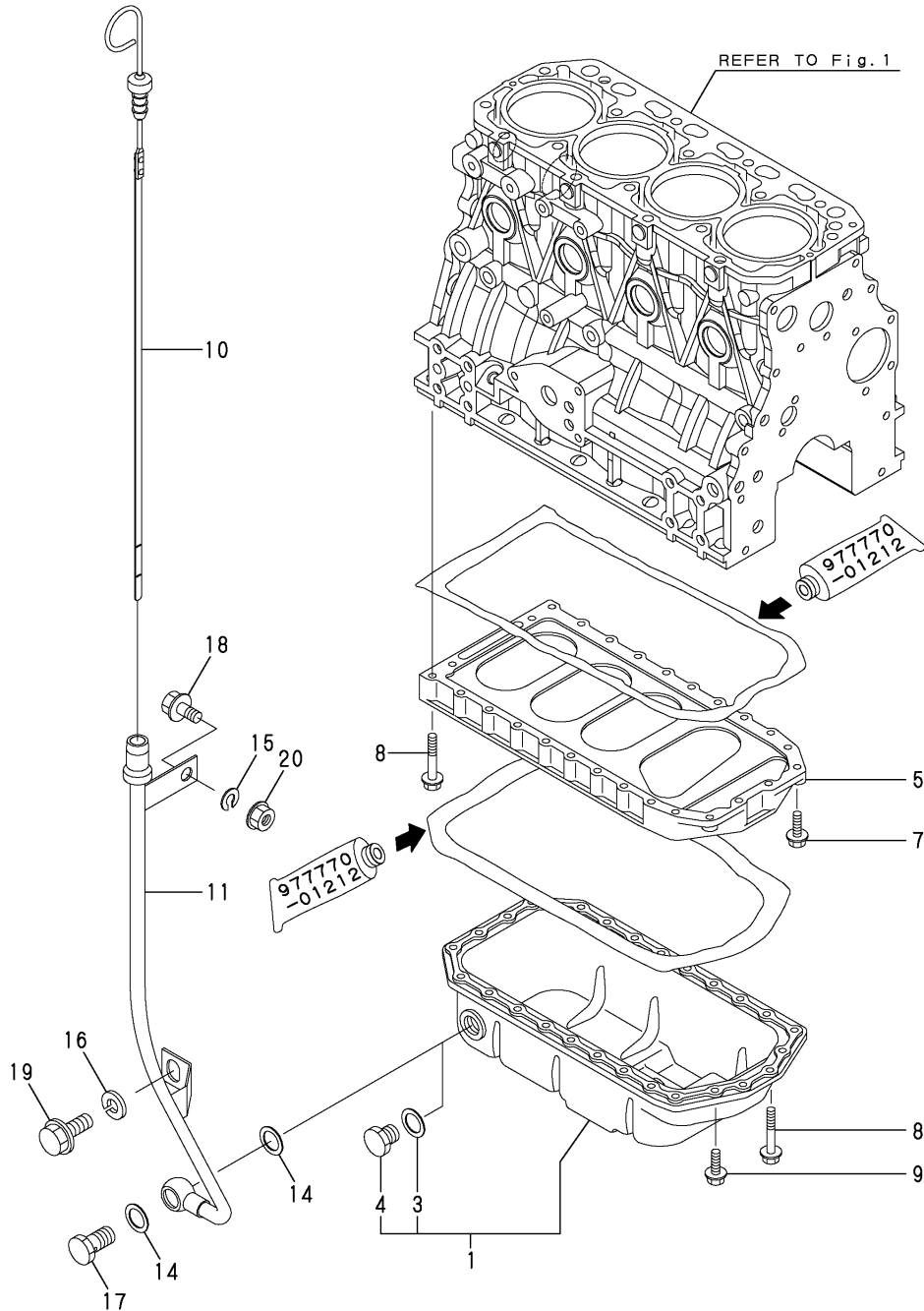
(A)=4JH4E (D)=  
 (B)= (E)=  
 (C)= (F)=



REF.	LEV.	PARTS NO.	DESCRIPTION	QTY						I	R
				(A)	(B)	(C)	(D)	(E)	(F)		
1	1	129670-08210	FOOT, MOUNTING A	1							
2	1	129670-08220	FOOT, MOUNTING B	1							
3	1	129670-08230	FOOT, MOUNTING C	1							
4	1	129670-08240	FOOT, MOUNTING D	1							
5	1	26106-100222	BOLT M10X 22 PLATED	8							
6	1	26116-120252	BOLT M12X 25 PLATED	4							
7	1	129670-08100	MOUNTING FOOT	1							
8	1	129670-08110	MOUNTING FOOT,B	1							
9	1	129670-08120	MOUNTING FOOT,C	1							
10	1	129670-08130	MOUNTING FOOT,D	1							
11	1	26106-100222	BOLT M10X 22 PLATED	2							
12	1	26106-100222	BOLT M10X 22 PLATED	4							
13	1	26106-100302	BOLT M10X 30 PLATED	2							
14	1	26116-120252	BOLT M12X 25 PLATED	4							
15	1	129470-08100	BRACKET	2							
16	1	129670-08150	MOUNTING FOOT,REAR	1							
17	1	129670-08160	MOUNTING FOOT,REAR	1							
18	1	26106-100222	BOLT M10X 22 PLATED	8							
19	1	26116-120252	BOLT M12X 25 PLATED	4							
20	1	129473-08100	FOOT	1							
21	1	129473-08110	FOOT	1							
22	1	129670-08180	MOUNTING FOOT,REAR	1							
23	1	129670-08190	MOUNTING FOOT,REAR	1							
24	1	26106-100222	BOLT M10X 22 PLATED	8							
25	1	26116-120252	BOLT M12X 25 PLATED	4							
26	1	120149-08431	MOUNT, FLEXIBLE	2							
27	1	129670-08340	MOUNTING, FLEX.150	2							
28	1	129670-08350	MOUNTING, FLEX.200	2							

Fig.5.LUB.OIL SUMP

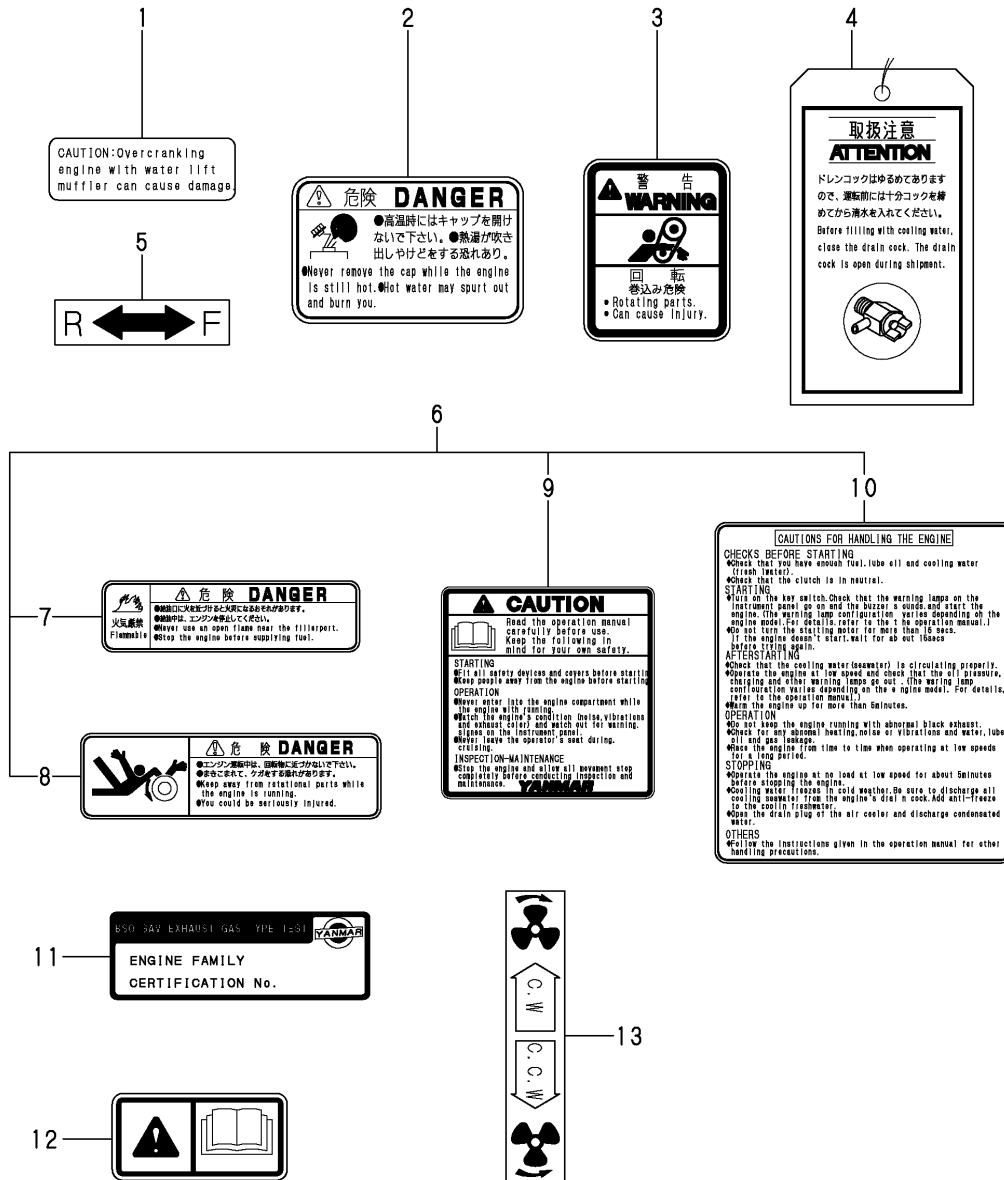
(A)=4JH4E (D)=  
 (B)= (E)=  
 (C)= (F)=



REF.	LEV.	PARTS NO.	DESCRIPTION	QTY						I	R
				(A)	(B)	(C)	(D)	(E)	(F)		
1	1	129670-01700	SUMP, LUB.OIL	1							
3	2	23414-140000	GASKET 14, ROUND	1							
4	2	23887-140002	PLUG M14	1							
5	1	129400-01730	SPACER, OIL SUMP	1							
7	1	26106-080252	BOLT M 8X 25 PLATED	2							
8	1	26106-080452	BOLT M 8X 45 PLATED	24							
9	1	26106-080162	BOLT M 8X 16 PLATED	4							
10	1	129670-34800	DIPSTICK,LUB.OIL	1							
11	1	129271-34880	GUIDE ASSY, DIPSTICK	1							
14	1	22190-140002	SEAL WASHER 14S	2							
15	1	22217-080000	SPRING WASHER 8	1							
16	1	22217-100000	SPRING WASHER 10	1							
17	1	23851-080000	JOIT BOLT 8	1							
18	1	26106-080162	BOLT M 8X 16 PLATED	1							
19	1	26106-100122	BOLT M10X 12 PLATED	1							
20	1	26306-080002	NUT	1							

Fig.6.LABEL

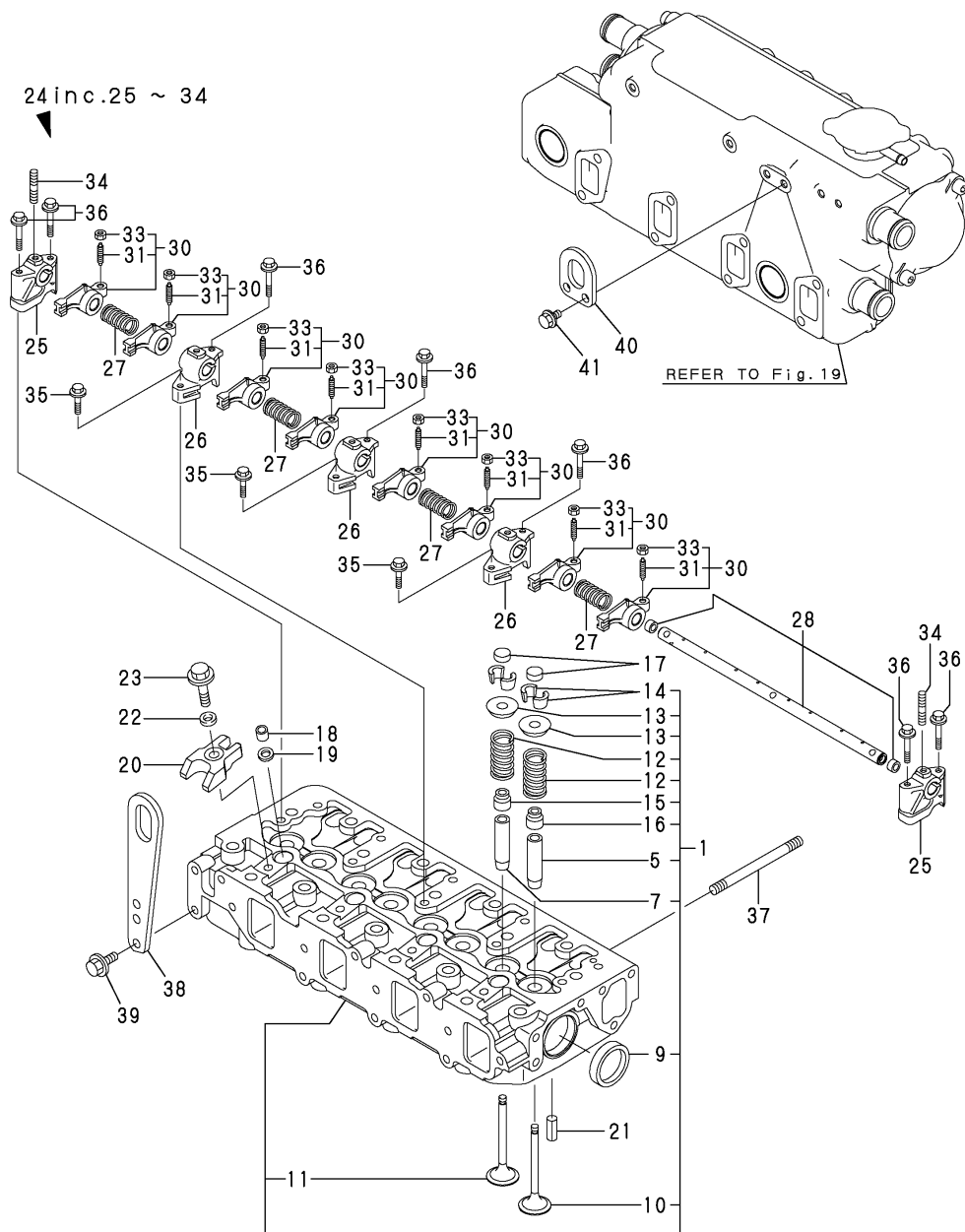
(A)=4JH4E (D)=  
 (B)= (E)=  
 (C)= (F)=



REF.	LEV.	PARTS NO.	DESCRIPTION	QTY						I	R
				(A)	(B)	(C)	(D)	(E)	(F)		
1	1	128377-07150	CAUTION LABEL	1							
2	1	128377-07260	LABEL,DANGER	1							
3	1	128377-07350	LABEL, WARNING	1							
4	1	123682-07852	LABEL, CW. TANK	1							
5	1	177088-02430	LABEL	1							
6	1	128377-07190	LABEL,LOOSE PARTS	1							
7	2	128377-07400	LABEL,DANGER	2							
8	2	128377-07420	LABEL,DANGER	1							
9	2	128377-07450	LABEL,CAUTION	1							
10	2	128377-07460	LABEL,CAUTION	1							
11	1	129670-07520	LABEL, BSO2	1							
12	1	196630-12980	LABEL	1							
13	1	177073-02431	LABEL	1							

Fig.7.CYLINDER HEAD

(A)=4JH4E (D)=  
 (B)= (E)=  
 (C)= (F)=



REF.	LEV.	PARTS NO.	DESCRIPTION	QTY						I	R
				(A)	(B)	(C)	(D)	(E)	(F)		
1	1	129670-11700	HED ASSY, CYLINDER	1							
5	2	120130-11860	GUIDE, VALVE	4							1
7	2	129150-11810	GUIDE, VALVE	4							1
9	2	27241-400000	PLUG 40	2							
10	2	129004-11100	VALVE, INTAKE	4							
11	2	129100-11110	VALVE, EXHAUST	4							
12	2	129795-11120	SPRING, VALVE	8							
13	2	129795-11180	RETAINER, SPRING	8							
14	2	27310-080001	COTTER 8	8							
15	2	121400-11340	SEAL, VALVE STEM	4							
16	2	124460-11340	SEAL, VALVE STEM	4							
17	1	129150-11370	CAP, VALVE	8							
18	1	119802-11870	PROTECTOR, NOZZLE	4							
19	1	119625-11880	SEAT, NOZZLE	4							
20	1	129004-11900	RETAINER, NOZZLE	4							
21	1	22351-060012	SPRING PIN 6X12	2							
22	1	120270-54410	WASHER	4							
23	1	26106-080352	BOLT M 8X 35 PLATED	4							
24	1	129601-11241	SHAFT ASSY, ROCKER	1							
25	2	119802-11260	SUPPORT, ROCKER ARM	2							
26	2	119802-11270	SUPPORT, ROCKER ARM	3							
27	2	129150-11280	SPRING	4							
28	2	129601-11251	SHAFT	1							
30	2	129004-11650	ARM ASSY, ROCKER	8							
31	3	129150-11230	SCREW, VALVE	8							
33	3	129150-11750	NUT M8XP1.0	8							
34	2	26226-080182	STUD M 8X 18 PLATED	3							
35	1	26106-080252	BOLT M 8X 25 PLATED	3							
36	1	26106-080502	BOLT M 8X 50 PLATED	7							
37	1	129693-44300	STUD BOLT	2							
38	1	129900-07900	LIFTER, ENGINE	1							
39	1	26106-080142	BOLT M 8X 14 PLATED	2							
40	1	129470-07230	LIFTER, ENGINE	1							
41	1	26106-080162	BOLT M 8X 16 PLATED	2							

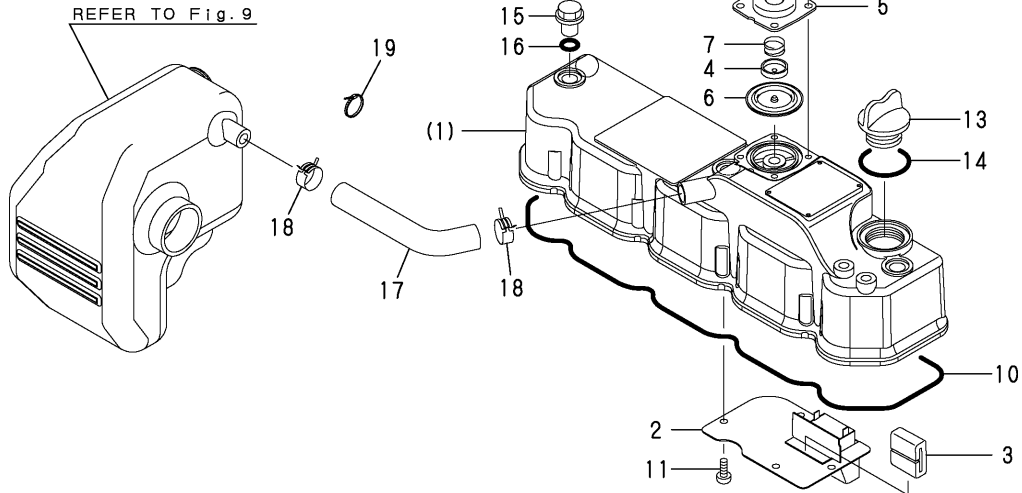
Remarks  
 (1)REPAIR PART.



Fig.8.BONNET

(A)=4JH4E (D)=  
 (B)= (E)=  
 (C)= (F)=

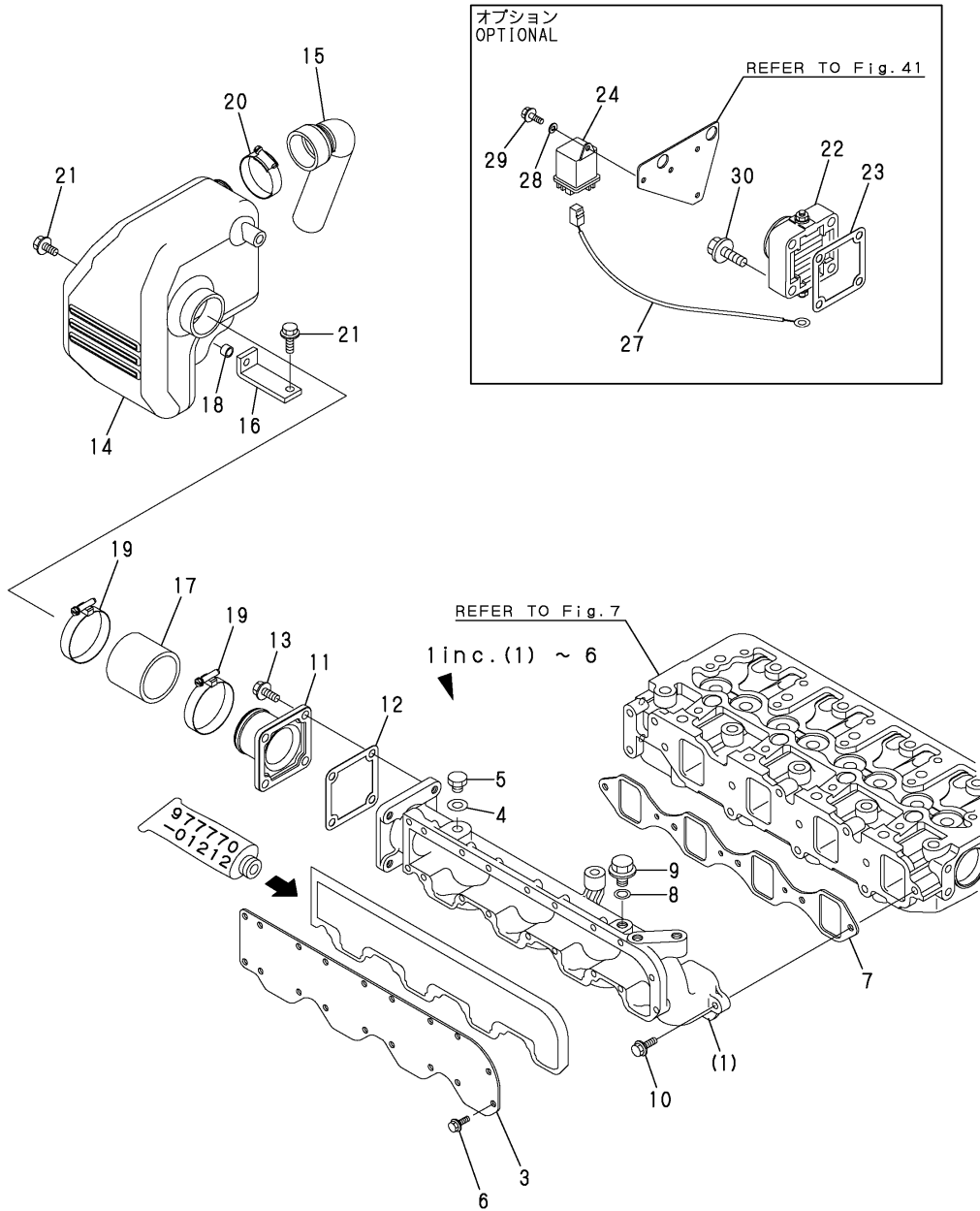
1 inc.(1) ~ 12



REF.	LEV.	PARTS NO.	DESCRIPTION	QTY						I	R
				(A)	(B)	(C)	(D)	(E)	(F)		
1	1	129601-11350	BONNET ASSY	1							
2	2	129004-03010	PLATE, BAFFLE	1							
3	2	129150-03070	BAFFLE, BREATHER	1							
4	2	119802-03110	PLATE, DIAPHRAGM	1							
5	2	119802-03120	COVER, DIAPHRAGM	1							
6	2	119802-03130	DIAPHRAGM	1							
7	2	119802-03140	SPRING, DIAPHRAGM	1							
10	2	129601-11310	GASKET,COVER	1							
11	2	22857-500100	SCREW 5X10,TAPPING	4							
12	2	22857-500100	SCREW 5X10,TAPPING	4							
13	1	124160-01751	COVER,FILLER	1							
14	1	24311-000320	O-RING 1A P-32.0	1							
15	1	124160-11360	KNOB	3							
16	1	24311-000120	O-RING 1A P 12.0	3							
17	1	129670-03090	PIPE, BREATHER	1							
18	1	129410-03990	CLAMP 24	2							
19	1	121750-59890	CLAMP 140	1							

Fig.9.SUCTION MANIFOLD

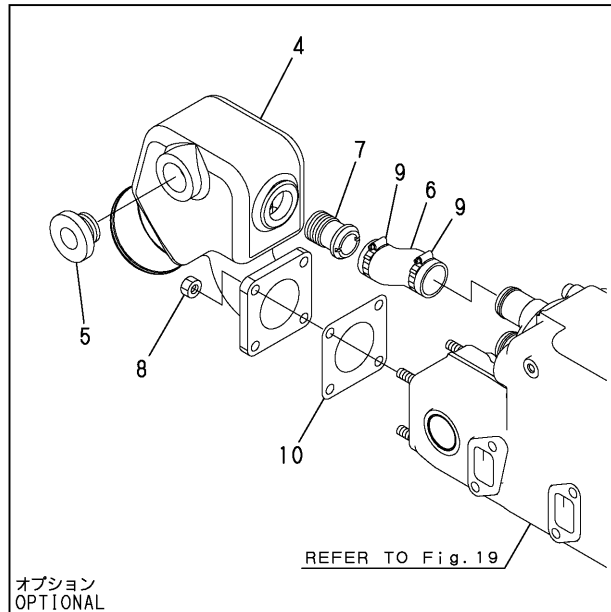
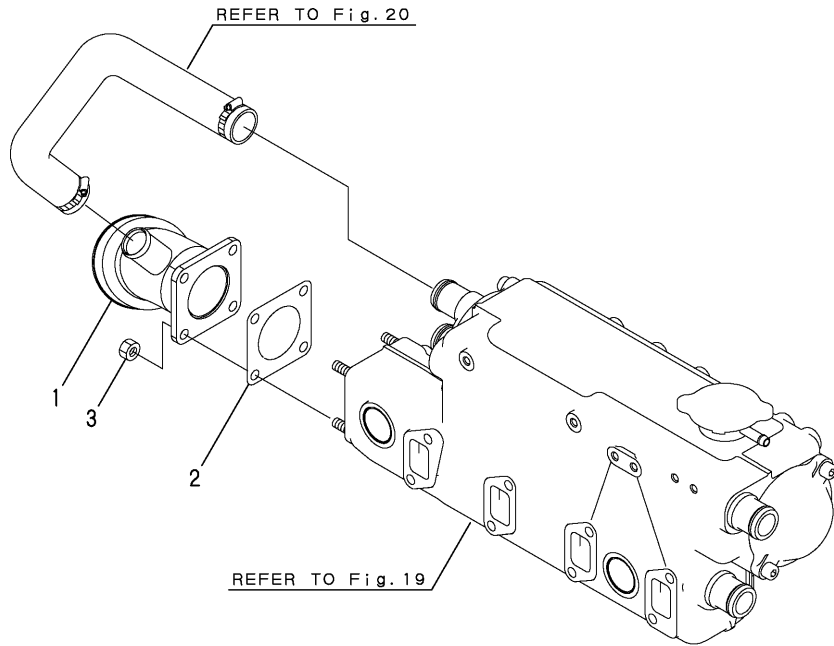
(A)=4JH4E (D)=  
 (B)= (E)=  
 (C)= (F)=



REF.	LEV.	PARTS NO.	DESCRIPTION	----- QTY -----						I	R
				(A)	(B)	(C)	(D)	(E)	(F)		
1	1	129698-12100	MANIFOLD, AIR INTAKE	1							
3	2	129470-12120	CAP	1							
4	2	23414-100000	GASKET 10, ROUND	1							
5	2	23887-100002	PLUG 10	1							
6	2	26476-060142	BOLT M 6X 14,TAPPING	18							
7	1	129470-12130	GASKET	1							
8	1	22190-080002	SEAL WASHER 8S	1							
9	1	26106-080122	BOLT M 8X 12 PLATED	1							
10	1	26106-080202	BOLT M 8X 20 PLATED	5							
11	1	129486-12581	JOINT	1							
12	1	129150-77511	GASKET, (NON-ASB.)	1							
13	1	26106-080202	BOLT M 8X 20 PLATED	4							
14	1	129271-12310	SILENCER,SUC AIR	1							
15	1	129670-12350	PIPE,INTAKE SILENCER	1							
16	1	129670-12410	BRACKET,SILENCER	1							
17	1	129271-12810	PIPE,SUC AIR	1							
18	1	105100-55540	COLLAR, FUEL TANK	1							
19	1	23000-060000	CLAMP 60	2							
20	1	23001-048000	CLIP 48,HOSE	1							
21	1	26106-080162	BOLT M 8X 16 PLATED	2							
22	1	129120-77501	HEATER, AIR	1							
23	1	129100-77510	GASKET, AIR HEATER	1							
24	1	128990-77910	RELAY ASSY, GLOW	1							
27	1	129271-77920	HARNES,WIRE(HEATER)	1							
28	1	22217-060000	SPRING WASHER 6	1							
29	1	26106-060082	BOLT M 6X 8 PLATED	1							
30	1	26106-080352	BOLT M 8X 35 PLATED	4							

Fig.10.MIXING ELBOW

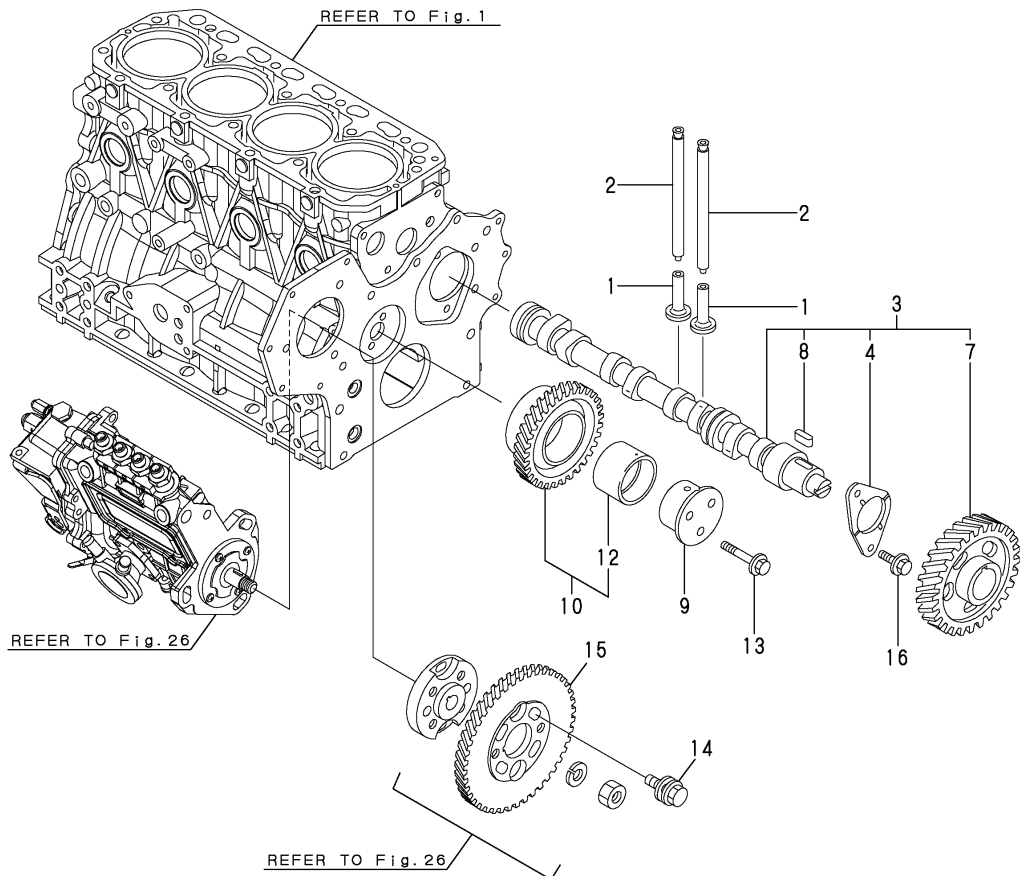
(A)=4JH4E (D)=  
 (B)= (E)=  
 (C)= (F)=



REF.	LEV.	PARTS NO.	DESCRIPTION	Q'TY						I	R
				(A)	(B)	(C)	(D)	(E)	(F)		
1	1	129670-13560	MIXING ELBOW	1							
2	1	129472-18090	GASKET	1							
3	1	26703-080002	NUT M 8	4							
4	1	129470-13541	ELBOW, WATER MIXING	1							
5	1	129472-13560	PLUG PT3/4	1							
6	1	129670-49280	CSW PIPE	1							
7	1	123325-49421	JOINT, PIPE	1							
8	1	26703-080002	NUT M 8	4							
9	1	129670-49500	HOSE CLIP 38	2							
10	1	129472-18090	GASKET	1							

Fig.11.CAMSHAFT & DRIVING GEAR

(A)=4JH4E (D)=  
 (B)= (E)=  
 (C)= (F)=

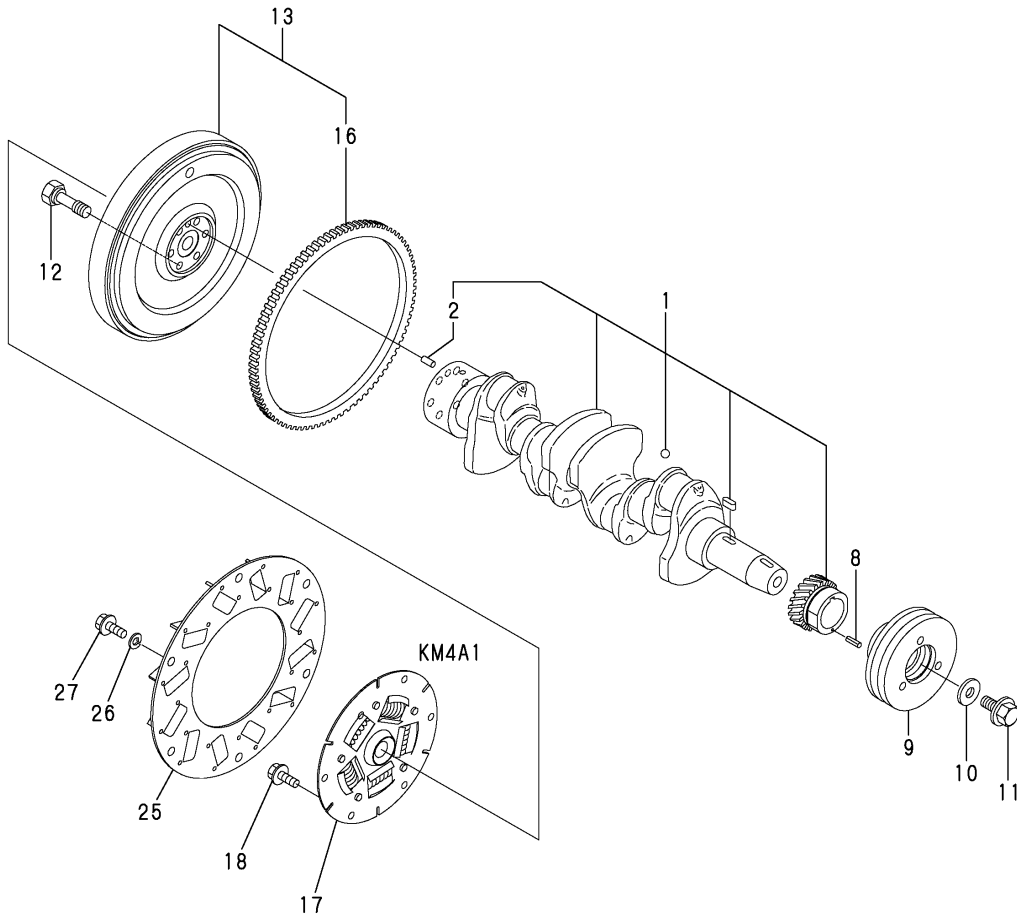


REF.	LEV.	PARTS NO.	DESCRIPTION	QTY						I	R
				(A)	(B)	(C)	(D)	(E)	(F)		
1	1	129150-14200	TAPPET	8							
2	1	129150-14400	ROD, PUSH	8							
3	1	729402-14580	CAMSHAFT ASSY	1							
4	2	129150-02450	METAL,THRUST(CAM	1							
7	2	129150-14101	GEAR, CAMSHAFT	1							
8	2	22512-070140	KEY 7X 14	1							
9	1	119802-25051	SHAFT, IDLE GEAR	1							
10	1	119802-25100	GEAR ASSY, IDLE	1							
12	2	119802-25070	BUSH, IDLE GEAR	1							1
13	1	26106-080402	BOLT M 8X 40 PLATED	3							
14	1	129150-25301	BOLT,FI-P	4							
15	1	129150-25931	GEAR	1							
16	1	26106-080142	BOLT M 8X 14 PLATED	2							

Remarks  
 (1)REPAIR PART.

Fig.12.CRANKSHAFT & FLYWHEEL

(A)=4JH4E (D)=  
 (B)= (E)=  
 (C)= (F)=



REF.	LEV.	PARTS NO.	DESCRIPTION	QTY						I	R
				(A)	(B)	(C)	(D)	(E)	(F)		
1	1	129601-21001	CRANKSHAFT ASSY	1							
2	2	129100-01580	PARALLEL PIN 8X16	1							
8	1	22351-030010	SPRING PIN 3X10	1							
9	1	119802-21660	V-PULLEY, CRANKSHAFT	1							
10	1	129795-21661	WASHER	1							
11	1	121850-21680	BOLT, V-PULLEY	1							
12	1	121111-21501	BOLT, FLYWHEEL	6							
13	1	129670-21590	FLYWHEEL ASSY	1							
16	2	119865-21600	GEAR, RING	1							
17	1	177090-03500	DISC, DAMPER	1							
18	1	26106-080162	BOLT M 8X 16 PLATED	6							
19	1	177099-03500	DISK, (NON-ASB.)	1							
20	1	26013-080142	BOLT M 8X 14	6							
21	1	177070-03520	DISC, DAMPER	1							
22	1	26106-080162	BOLT M 8X 16 PLATED	6							
23	1	129673-81250	DAMPER DISK,ZF30M	1							
24	1	26106-080252	BOLT M 8X 25 PLATED	6							
25	1	129670-81850	FAN (FLYWHEEL)	1							
26	1	22217-080000	SPRING WASHER 8	6							
27	1	26106-080162	BOLT M 8X 16 PLATED	6							

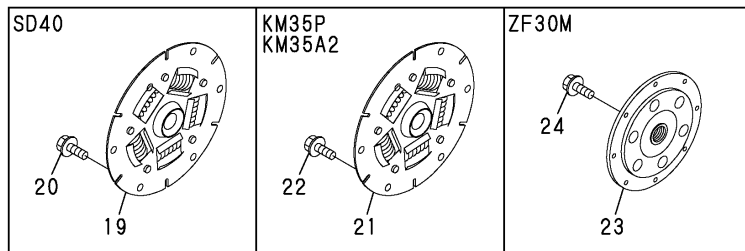
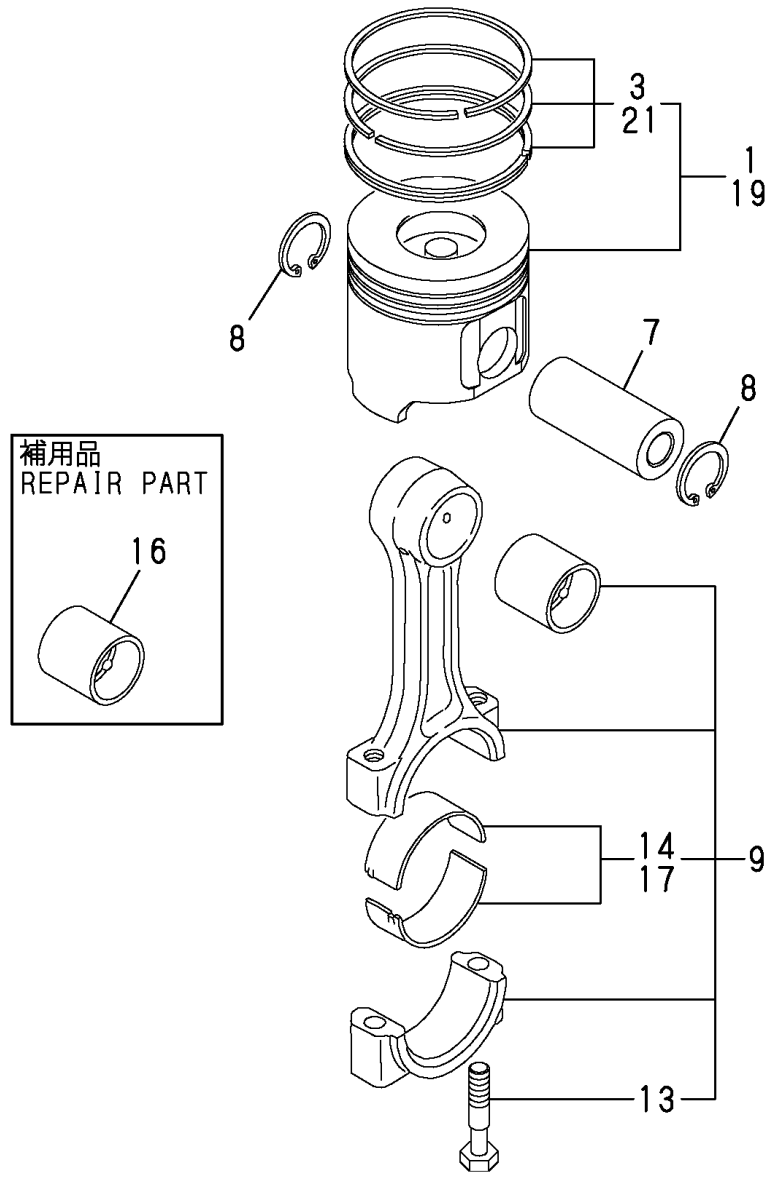


Fig.13.PISTON & CONNECTING ROD

(A)=4JH4E (D)=  
 (B)= (E)=  
 (C)= (F)=

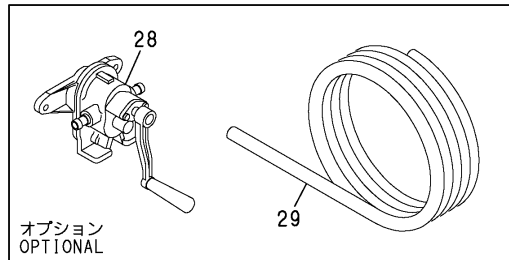
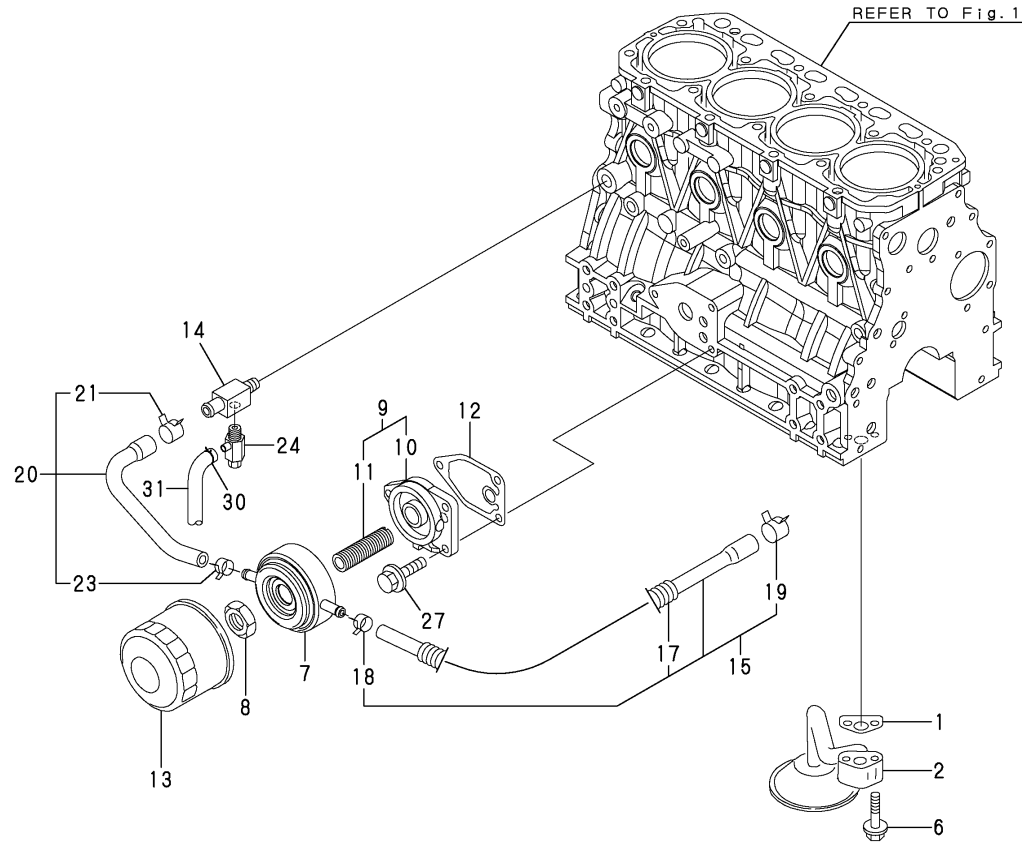


REF.	LEV.	PARTS NO.	DESCRIPTION	QTY						I	R	
				(A)	(B)	(C)	(D)	(E)	(F)			
1	1	129670-22020	PISTON ASSY	4								
3	2	129005-22500	RING SET, PISTON	4								
7	1	129202-22300	PIN, PISTON(D26,L70)	4								
8	1	22252-000260	CIRCLIP 26	8								
9	1	729402-23100	ROD ASSY, CONNECTING	4								
13	2	121550-23200	BOLT, CONNECTING ROD	8								
14	2	129150-23600	BEARING, CRANKPIN	4								
16	1	129100-23910	BUSH, PISTON PIN	4								1
17	1	129150-23610	METAL PIN US=0.25	4								3
19	1	129005-22900	PISTON W/RING OS=.25	4								2
21	2	129005-22950	RING SET O.S=0.25	4								2

Remarks  
 (1)REPAIR PART.  
 (2)OVER-SIZE(O.S=0.25)PART.  
 (3)UNDER-SIZE(U.S=0.25)PART.

Fig.14.LUB.OIL SYSTEM

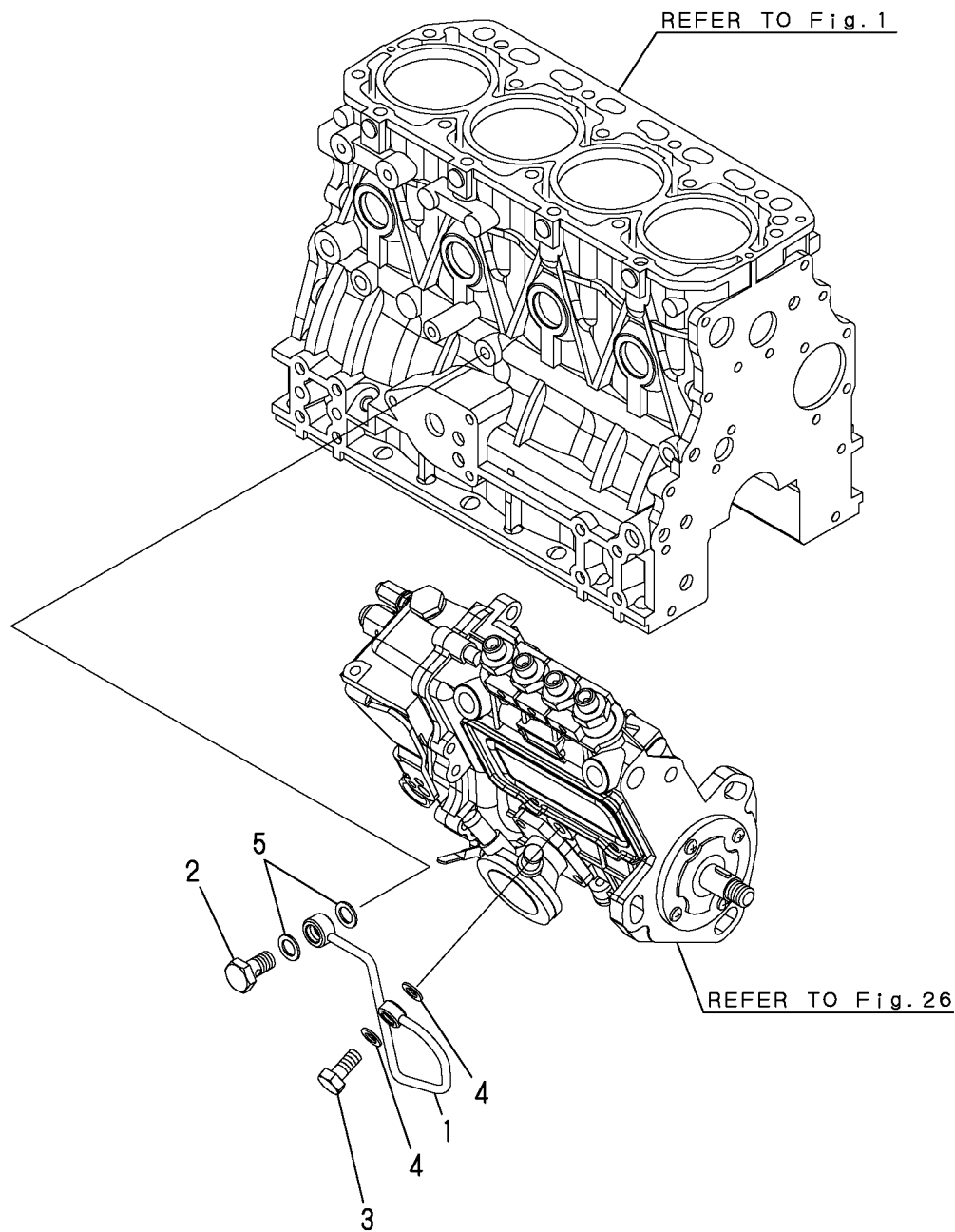
(A)=4JH4E (D)=  
 (B)= (E)=  
 (C)= (F)=



REF.	LEV.	PARTS NO.	DESCRIPTION	QTY						I	R
				(A)	(B)	(C)	(D)	(E)	(F)		
1	1	129150-35041	GASKET, (NON-ASB.)	1							
2	1	129670-35090	PIPE,OIL INLET ASSY	1							
6	1	26106-080352	BOLT M 8X 35 PLATED	2							
7	1	129508-33010	COOLER ASSY, OIL	1							
8	1	129417-33110	NUT OIL COOLER	1							
9	1	129006-35100	BRACKET ASSY, FILTER	1							
10	2	119802-35110	BRACKET, FILTER	1							
11	2	129417-35150	STUD	1							
12	1	129150-35111	GASKET, (NON-ASB.)	1							
13	1	129150-35152	FILTER 80X80L	1							
14	1	129006-44480	JOINT	1							
15	1	129657-49020	CW-T (B CMP	1							
17	2	129657-49180	PROTECTOR, PIPE 19	1							
18	2	23080-015000	CLAMP	1							
19	2	23080-018000	CLAMP 18	1							
20	1	129508-49030	PIPE,COOLER IN	1							
21	2	171008-03990	CLAMP 18.5	1							
23	2	23080-015000	CLAMP	1							
24	1	119620-49290	COCK ASSY 1/4	1							
27	1	26106-080202	BOLT M 8X 20 PLATED	3							
28	1	124413-39100	PUMP, OIL SUMP	1							
29	1	43720-001220	PIPE	1							
30	1	124460-77680	RETAINER	1							
31	1	23061-070300	PIPE 7X 300	1							

Fig.15.LUB.OIL PIPE

(A)=4JH4E (D)=  
 (B)= (E)=  
 (C)= (F)=

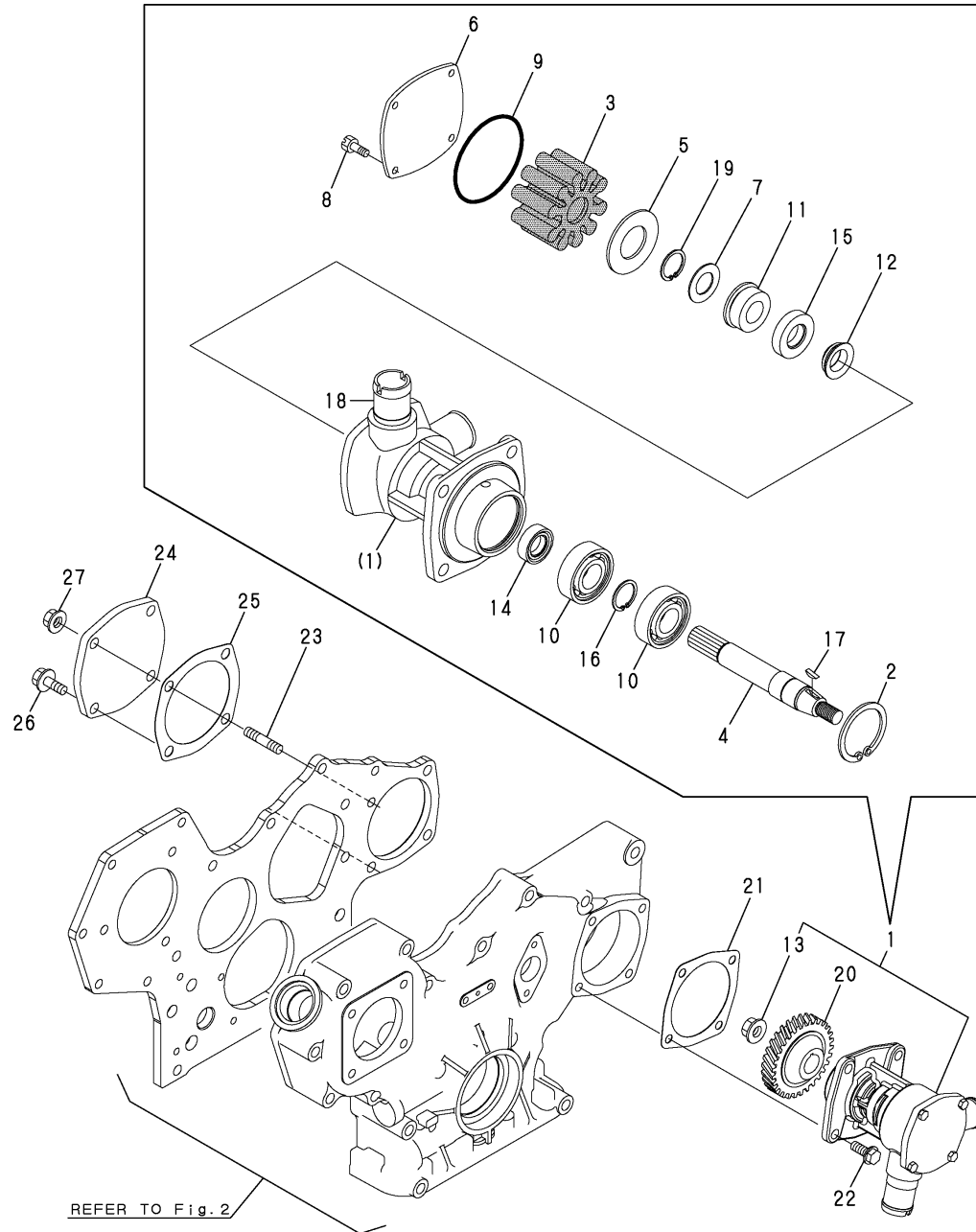


REF.	LEV.	PARTS NO.	DESCRIPTION	QTY						I	R
				(A)	(B)	(C)	(D)	(E)	(F)		
1	1	129670-39110	PIPE ASSY, LUB. OIL	1							
2	1	124160-39140	BOLT 10, PIPE JOINT	1							
3	1	124550-59820	BOLT 8, PIPE JOINT	1							
4	1	22190-080002	SEAL WASHER 8S	2							
5	1	22190-100002	SEAL WASHER 10S	2							



(A)=4JH4E (D)=  
 (B)= (E)=  
 (C)= (F)=

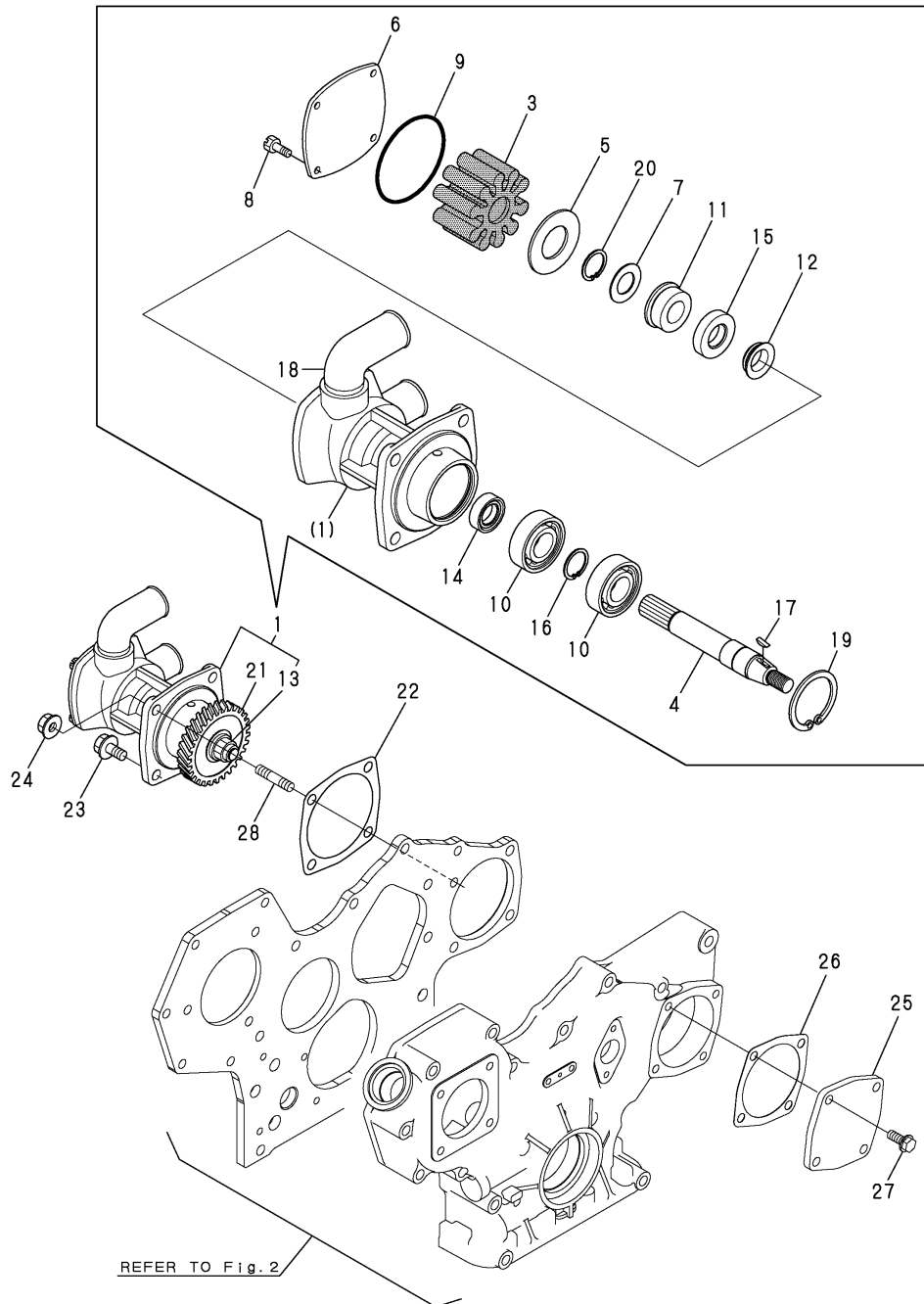
Fig.16.COOLING SEA WATER PUMP



REF.	LEV.	PARTS NO.	DESCRIPTION	QTY						I	R
				(A)	(B)	(C)	(D)	(E)	(F)		
1	1	129271-42500	PUMP ASSY, SEA WATER	1							
2	2	X0534130	CIRCLIP	1							
3	2	129670-42530	IMPELLER	1							
4	2	X0146531	SHAFT	1							
5	2	129670-42540	PLATE	1							
6	2	129670-42520	COVER	1							
7	2	129670-42550	WASHAER	1							
8	2	119175-42620	SCREW	4							
9	2	X0506590	O-RING	1							
10	2	X0508129	BEARING	2							
11	2	129670-42560	MECHANICAL SHEEL	1							
12	2	X0519503	V-RING	1							
13	2	X0505526	LOCKNUT	1							
14	2	X0529105	LIP SEAL	1							
15	2	X0529530	LIP SEAL	1							
16	2	X053421	CIRCLIP	1							
17	2	129670-42580	KEY	1							
18	2	X01357681	CONNECTION	1							
19	2	129670-42570	CIRCLIP	1							
20	1	129271-42700	GEAR, PUMP	1							
21	1	129150-01881	GASKET, (NON ASB.)	1							
22	1	26106-080202	BOLT M 8X 20 PLATED	4							
23	1	121450-01560	STUD M 8X 22	1							
24	1	124240-01871	COVER, HO-P	1							
25	1	129150-01881	GASKET, (NON ASB.)	1							
26	1	26106-080252	BOLT M 8X 25 PLATED	3							
27	1	26306-080002	NUT	1							

(A)=4JH4E (D)=  
 (B)= (E)=  
 (C)= (F)=

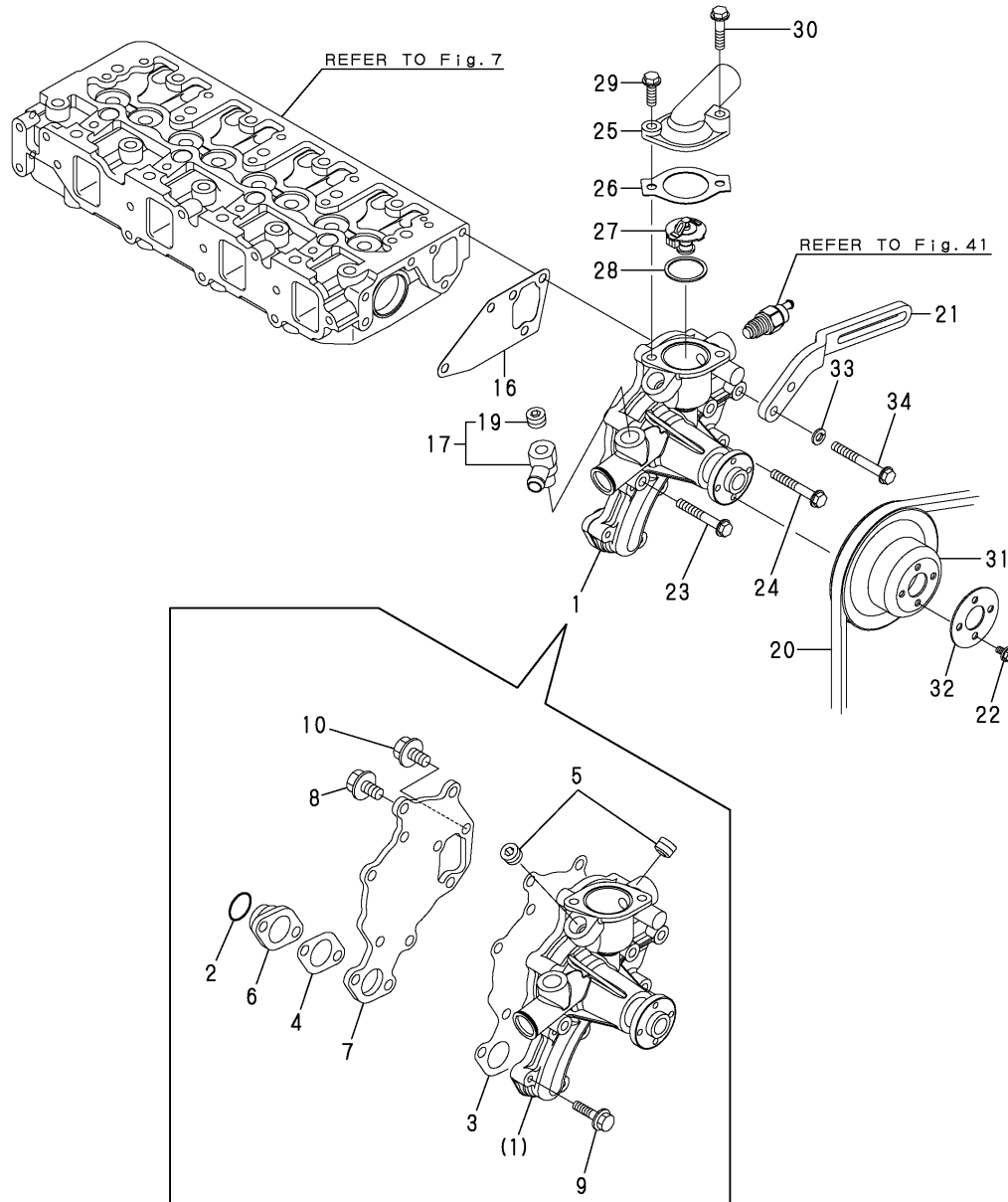
Fig.17.C.S.W.PUMP(OPTIONAL)



REF.	LEV.	PARTS NO.	DESCRIPTION	----- QTY -----						I	R
				(A)	(B)	(C)	(D)	(E)	(F)		
1	1	129670-42511	PUMP ASSY, C. WATER	1							
3	2	129670-42530	IMPELLER	1							
4	2	X0146531	SHAFT	1							
5	2	129670-42540	PLATE	1							
6	2	129670-42520	COVER	1							
7	2	129670-42550	WASHAER	1							
8	2	119175-42620	SCREW	4							
9	2	X0506590	O-RING	1							
10	2	X0508129	BEARING	2							
11	2	129670-42560	MECHANICAL SHEEL	1							
12	2	X0519503	V-RING	1							
13	2	X0505526	LOCKNUT	1							
14	2	X0529105	LIP SEAL	1							
15	2	X0529530	LIP SEAL	1							
16	2	X053421	CIRCLIP	1							
17	2	129670-42580	KEY	1							
18	2	X01357681	CONNECTION	1							
19	2	X0534130	CIRCLIP	1							
20	2	129670-42570	CIRCLIP	1							
21	1	129670-42700	GEAR	1							
22	1	129150-01881	GASKET, (NON ASB.)	1							
23	1	26106-080162	BOLT M 8X 16 PLATED	3							
24	1	26306-080002	NUT	1							
25	1	124240-01871	COVER, HO-P	1							
26	1	129150-01881	GASKET, (NON ASB.)	1							
27	1	26106-080162	BOLT M 8X 16 PLATED	4							
28	1	121450-01560	STUD M 8X 22	1							

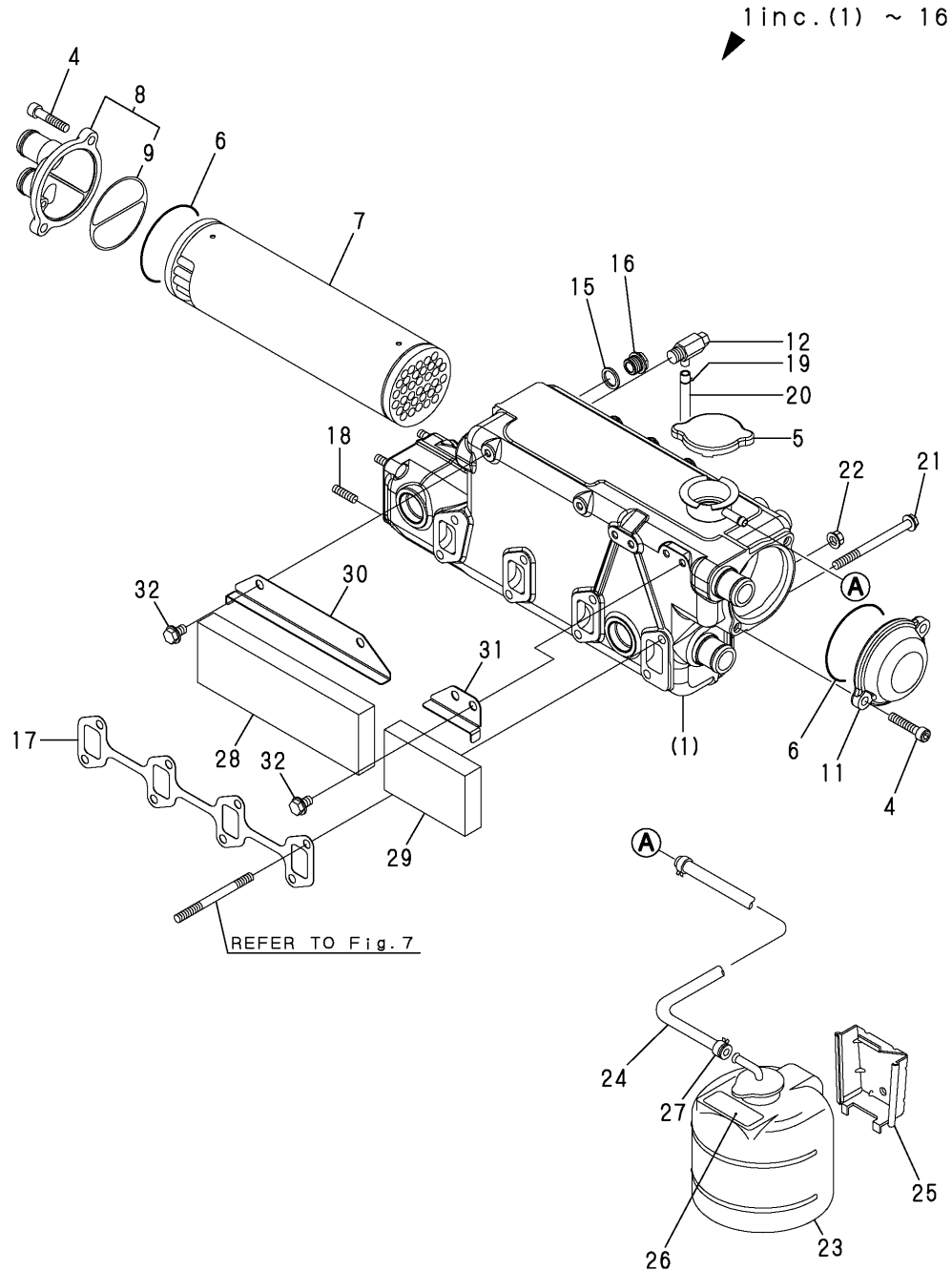
(A)=4JH4E (D)=  
 (B)= (E)=  
 (C)= (F)=

Fig.18.COOLING FRESH WATER PUMP



REF.	LEV.	PARTS NO.	DESCRIPTION	QTY						I	R
				(A)	(B)	(C)	(D)	(E)	(F)		
1	1	129271-42000	PUMP ASSY, C.F.WATER	1							
2	2	129054-42320	O-RING	1							
3	2	129052-42050	GASKET	1							
4	2	129052-42310	GASKET, OUTER	1							
5	2	23875-030000	PLUG PT3/8,STEEL	2							
6	2	129150-42300	PIPE, C. W. PUMP	1							
7	2	129150-42129	PLATE	1							
8	2	26106-060142	BOLT M 6X 14 PLATED	5							
9	2	26106-060202	BOLT M 6X 20 PLATED	2							
10	2	26116-060162	BOLT 6X16	1							
16	1	129486-42050	GASKET	1							
17	1	129270-49400	JOINT	1							
19	2	23875-030000	PLUG PT3/8,STEEL	1							
20	1	25152-004300	V-BELT A43	1							
21	1	129495-77330	ADJUSTER, BELT	1							
22	1	26106-060102	BOLT M 6X 10 PLATED	4							
23	1	26106-080552	BOLT M 8X 55 PLATED	2							
24	1	26106-080552	BOLT M 8X 55 PLATED	1							
25	1	129470-49540	COVER, THERMOSTAT	1							
26	1	129795-49551	GASKET, (NON-ASB.)	1							
27	1	129470-49801	THERMOSTAT	1							
28	1	129470-49810	GASKET, (NON-ASB.)	1							
29	1	26106-080252	BOLT M 8X 25 PLATED	1							
30	1	26106-080352	BOLT M 8X 35 PLATED	1							
31	1	129550-42350	V-PULLEY(D=120)	1							
32	1	129156-44760	WASHER	1							
33	1	22217-080000	SPRING WASHER 8	1							
34	1	26106-080652	BOLT M 8X 65 PLATED	1							

Fig.19.COOLING FRESH WATER COOLER

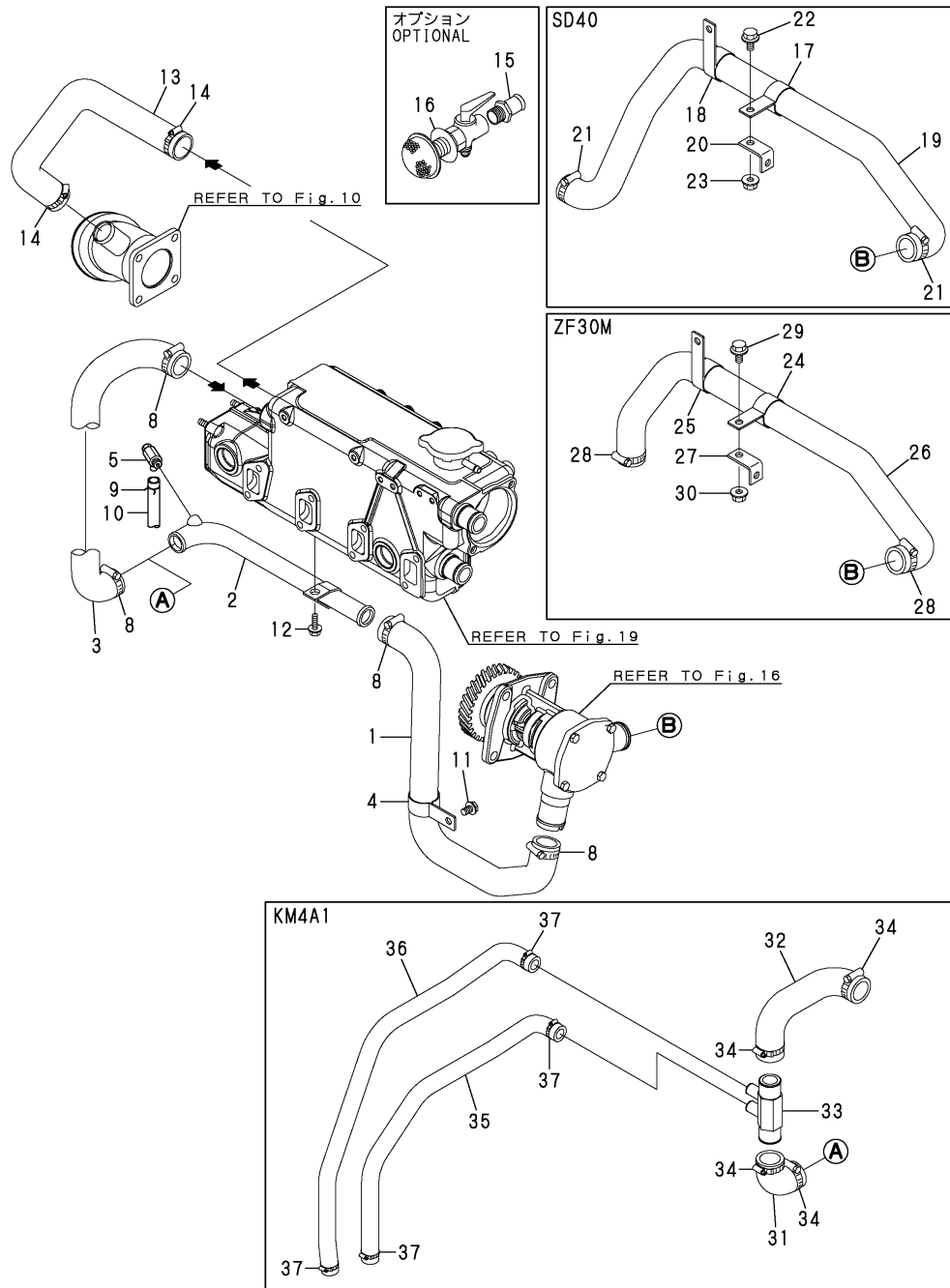


(A)=4JH4E (D)=  
 (B)= (E)=  
 (C)= (F)=

REF.	LEV.	PARTS NO.	DESCRIPTION	QTY						I	R
				(A)	(B)	(C)	(D)	(E)	(F)		
1	1	129670-44910	EXCHAGER ASSY CFW	1							
4	2	129673-44090	SCREW,M8X40	4							
5	2	129673-44130	CAP,FILLER	1							
6	2	129670-44150	O-RING, 74.5X3	2							
7	2	129670-44460	CORE ASSY, COOLER	1							
8	2	129670-44430	COVER CMP,COOLER A	1							
9	3	120322-33050	GASKET	1							
11	2	129670-44450	COVER, COOLER B	1							
12	2	119620-49290	COCK ASSY 1/4	1							
15	2	23414-170000	GASKET 17, ROUND	1							
16	2	23893-030002	PLUG PF3/8	1							
17	1	129550-13110	GASKET, EXH.MANIFOLD	1							
18	1	128170-13600	STUD	4							
19	1	124460-77680	RETAINER	1							
20	1	23061-070300	PIPE 7X 300	1							
21	1	26106-081002	BOLT M 8X100 PLATED	6							
22	1	26306-080002	NUT	2							
23	1	128397-44500	TANK ASSY, RESERVE	1							
24	1	129270-44500	PIPE OVER FLOW	1							
25	1	128397-44510	BRACKET, SUB-TANK	1							
26	1	129670-44570	LABEL	1							
27	1	23010-013000	CLAMP 13	2							
28	1	129670-11920	ABSORBER A,NOISE	1							
29	1	129670-11930	ABSORBER B,NOISE	1							
30	1	129670-11940	COVER A,ABSORBER	1							
31	1	129670-11950	COVER B,ABSORBER	1							
32	1	26106-080122	BOLT M 8X 12 PLATED	4							

(A)=4JH4E (D)=  
 (B)= (E)=  
 (C)= (F)=

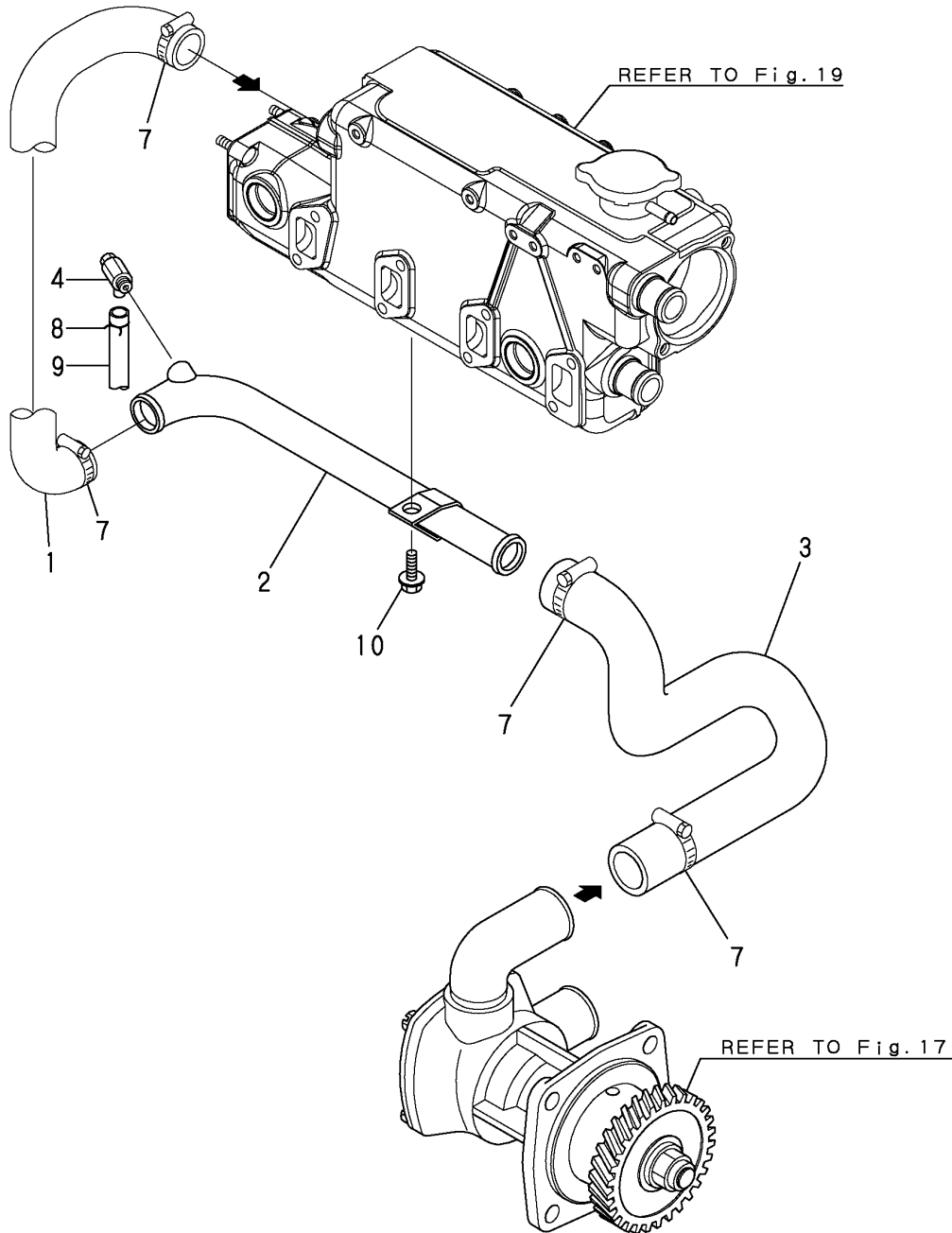
Fig.20.COOLING SEA WATER PIPE



REF.	LEV.	PARTS NO.	DESCRIPTION	QTY						I	R
				(A)	(B)	(C)	(D)	(E)	(F)		
1	1	129271-49010	PIPE, COOLING WATER	1							
2	1	129470-49010	PIPE, C. SEA WATER	1							
3	1	129270-49040	PIPE,CSW	1							
4	1	129271-49110	RETAINER, PIPE	1							
5	1	129670-49290	COCK R1/8 ASSY	1							
8	1	129670-49500	HOSE CLIP 38	4							
9	1	124460-77680	RETAINER	1							
10	1	23061-070300	PIPE 7X 300	1							
11	1	26106-080122	BOLT M 8X 12 PLATED	1							
12	1	26106-080162	BOLT M 8X 16 PLATED	1							
13	1	129670-49150	PIPE,CSW(D)	1							
14	1	129670-49500	HOSE CLIP 38	2							
15	1	43530-500570	JOINT	1							
16	1	43662-025030	COCK ASSY, SEA WATER	1							
17	1	129271-49110	RETAINER, PIPE	1							
18	1	129671-49110	RETAINER	1							
19	1	129670-49260	PIPE,CSW S-DRIVE	1							
20	1	129670-49270	BRACKET,RETAINER	1							
21	1	129670-49500	HOSE CLIP 38	2							
22	1	26106-080122	BOLT M 8X 12 PLATED	1							
23	1	26306-080002	NUT	1							
24	1	129271-49110	RETAINER, PIPE	1							
25	1	129671-49110	RETAINER	1							
26	1	129670-49250	PIPE,CSW ZF30M	1							
27	1	129670-49270	BRACKET,RETAINER	1							
28	1	129670-49500	HOSE CLIP 38	2							
29	1	26106-080122	BOLT M 8X 12 PLATED	1							
30	1	26306-080002	NUT	1							
31	1	129670-49210	PIPE C,CSW	1							
32	1	129670-49220	PIPE D,CSW	1							
33	1	129670-49410	JOINT A,CSW	1							
34	1	129670-49500	HOSE CLIP 38	4							
35	1	129670-49230	PIPE E,CSW	1							
36	1	129670-49240	PIPE F,CSW	1							
37	1	23000-022000	CLAMP 22	4							

(A)=4JH4E (D)=  
 (B)= (E)=  
 (C)= (F)=

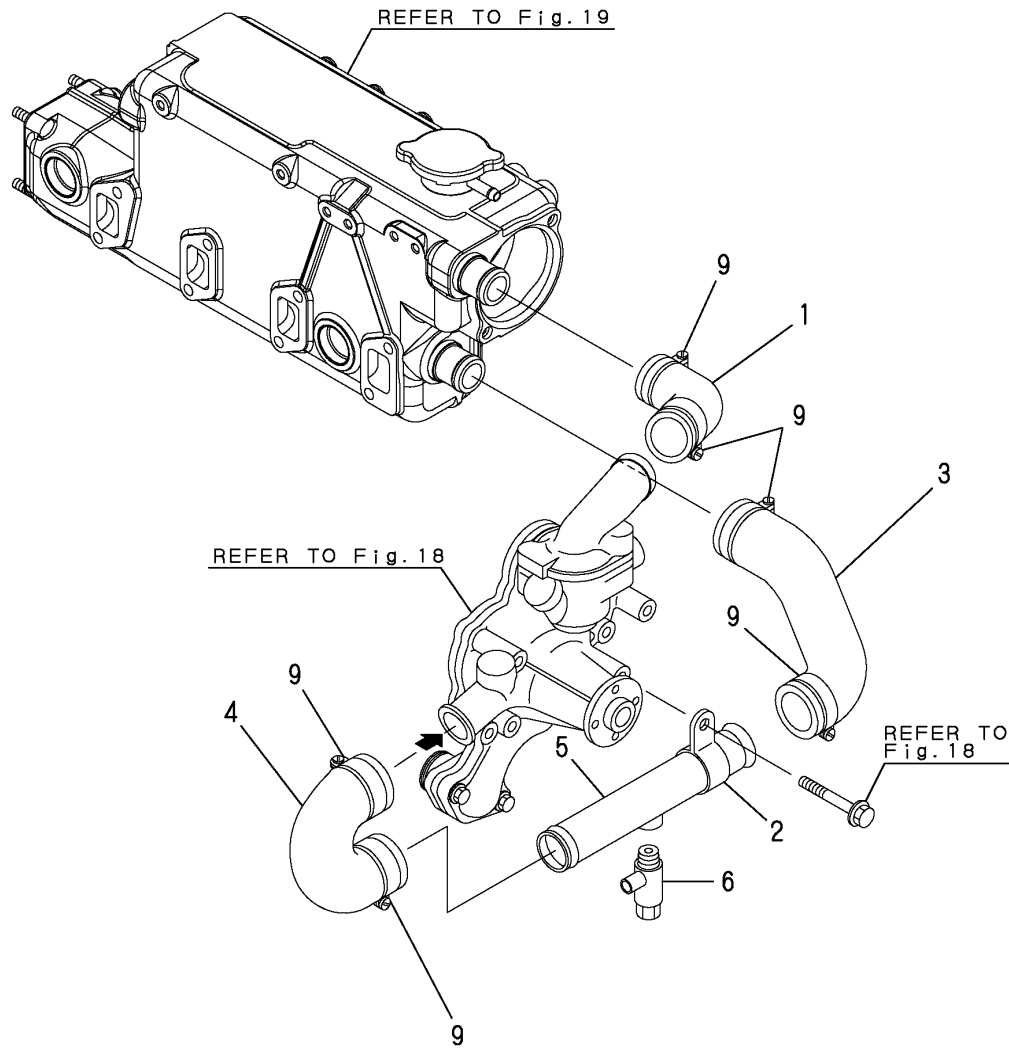
Fig.21.COOLING SEA WATER PIPE(OPTIONAL)



REF.	LEV.	PARTS NO.	DESCRIPTION	QTY						I	R
				(A)	(B)	(C)	(D)	(E)	(F)		
1	1	129270-49040	PIPE,CSW	1							
2	1	129470-49010	PIPE, C. SEA WATER	1							
3	1	129670-49110	PIPE,CSW(A)	1							
4	1	129670-49290	COCK R1/8 ASSY	1							
7	1	129670-49500	HOSE CLIP 38	4							
8	1	124460-77680	RETAINER	1							
9	1	23061-070300	PIPE 7X 300	1							
10	1	26106-080162	BOLT M 8X 16 PLATED	1							

(A)=4JH4E (D)=  
 (B)= (E)=  
 (C)= (F)=

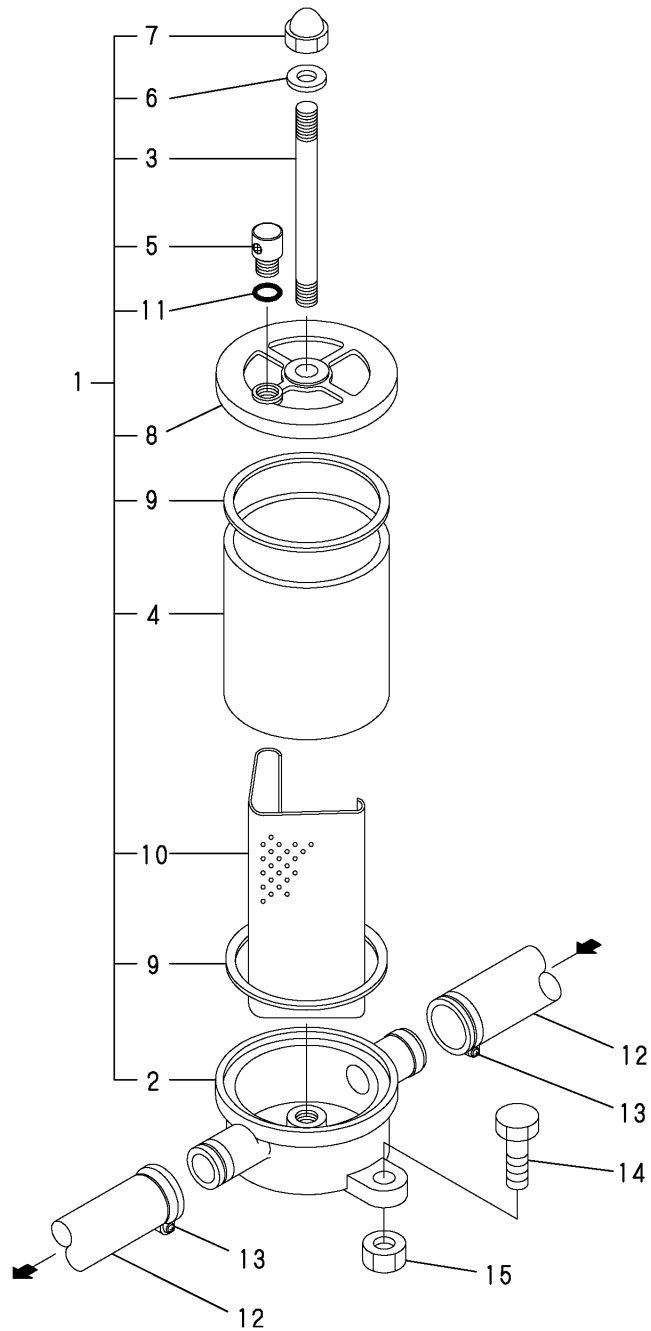
Fig.22.COOLING FRESH WATER PIPE



REF.	LEV.	PARTS NO.	DESCRIPTION	QTY						I	R
				(A)	(B)	(C)	(D)	(E)	(F)		
1	1	129671-49210	PIPE, COOLING WATER	1							
2	1	129470-49220	RETAINER	1							
3	1	129673-49220	CFW PIPE	1							
4	1	129673-49230	CFW PIPE	1							
5	1	129271-49250	PIPE, C. FRESH WATER	1							
6	1	129670-49290	COCK R1/8 ASSY	1							
9	1	129670-49500	HOSE CLIP 38	6							

(A)=4JH4E (D)=  
 (B)= (E)=  
 (C)= (F)=

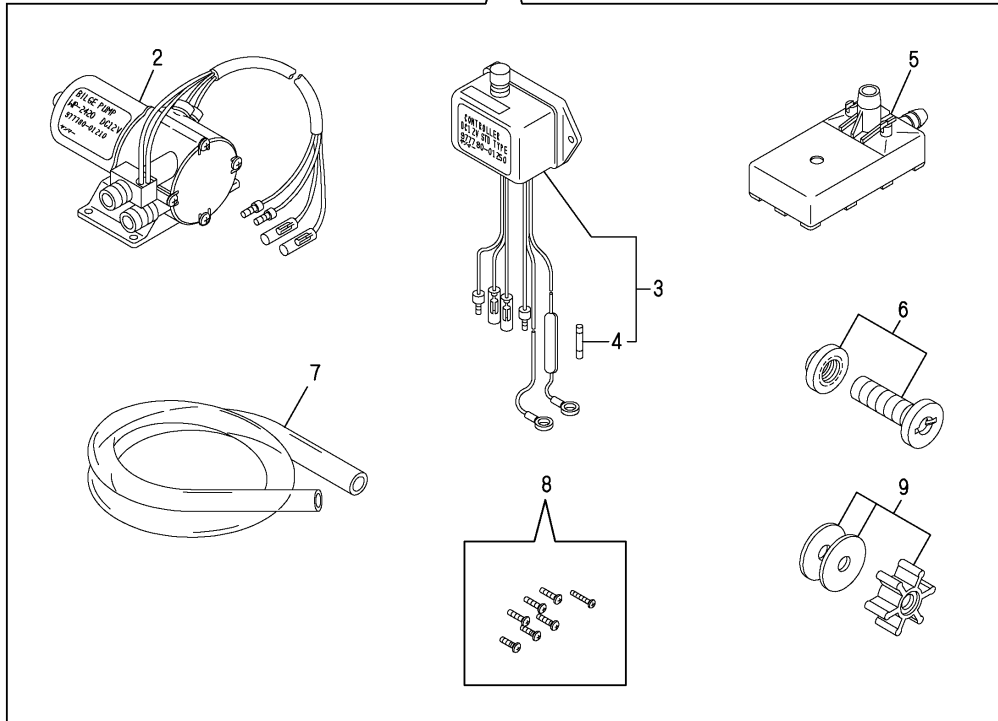
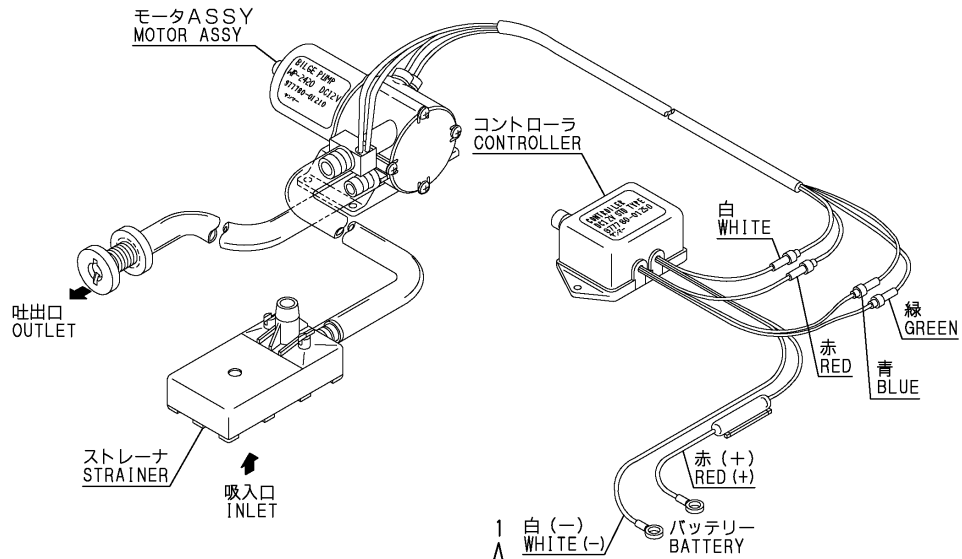
Fig.23.C.S.W.STRAINER(OPTIONAL)



REF.	LEV.	PARTS NO.	DESCRIPTION	QTY						I	R
				(A)	(B)	(C)	(D)	(E)	(F)		
1	1	129795-48800	STRAINER	1							
2	2	XTST25S001	BODY	1							
3	2	XTST25S002	BOLT M 8X125	1							
4	2	XTST25S003	PIPE, OUTER	1							
5	2	XTST25S004	PLUG M 8	1							
6	2	XTST25S005	PACKING	1							
7	2	26664-080002	CAP NUT M 8	1							
8	2	XTST25S007	COVER	1							
9	2	XTST25S008	PACKING	2							
10	2	XTST25S009	FILTER	1							
11	2	24311-000060	O-RING 1A P-6.0	1							
12	1	23072-101000	HOSE (25/33X1000)	1							
13	1	129670-49500	HOSE CLIP 38	2							
14	1	26116-080302	BOLT 8X30	2							
15	1	26703-080002	NUT M 8	2							



Fig.24.BILGE PUMP(STD/OPTIONAL)

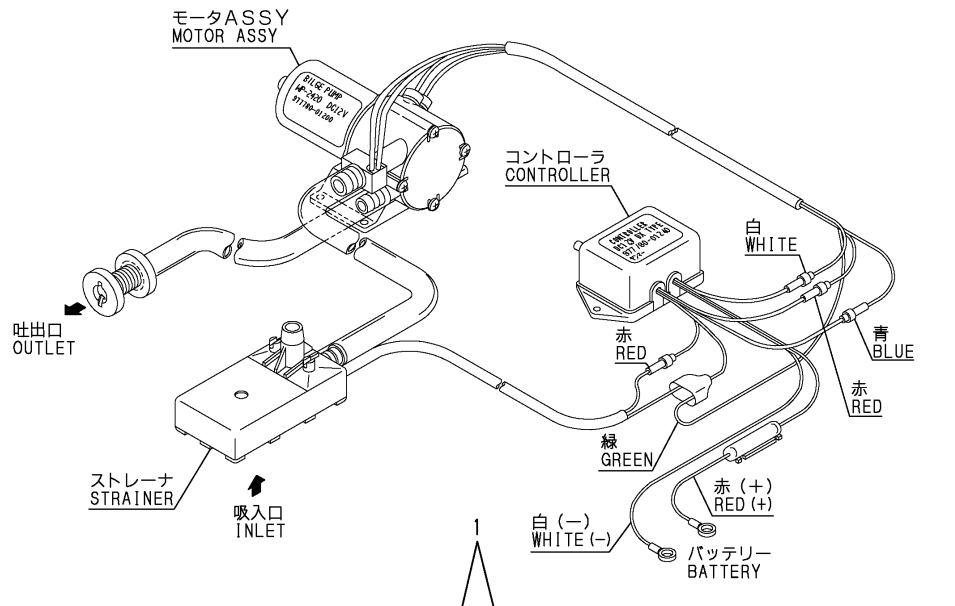


(A)=4JH4E (D)=  
 (B)= (E)=  
 (C)= (F)=

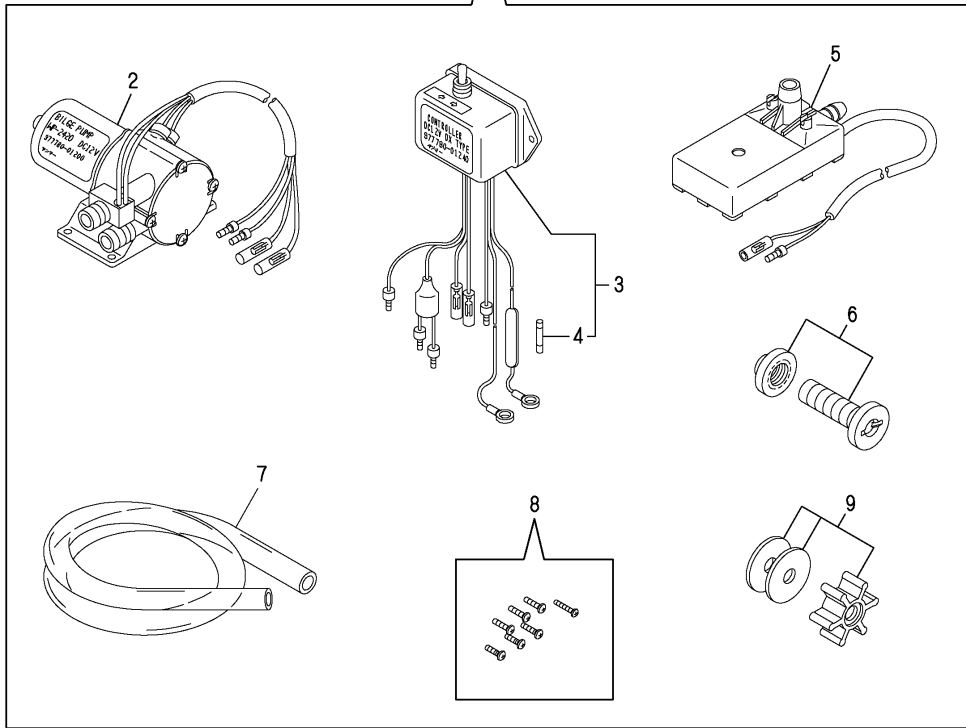
REF.	LEV.	PARTS NO.	DESCRIPTION	QTY						I	R
				(A)	(B)	(C)	(D)	(E)	(F)		
1	1	977780-01210	PUMP(12V).BILGE	1							
2	2	977780-01230	MOTOR ASSY(BILG PUMP)	1							
3	2	977780-01250	CONTROLLER	1							
4	3	X8636008003	FUSE	1							
5	2	X179100021X	STRAINER	1							
6	2	X179100100X	PIPE ASSY	1							
7	2	X0044021509	HOSE A	1							
8	2	X199903800X	SCREW KIT	1							
9	2	977780-03000	INPELLER	1							

(A)=4JH4E (D)=  
 (B)= (E)=  
 (C)= (F)=

Fig.25.BILGE PUMP(DX/OPTIONAL)

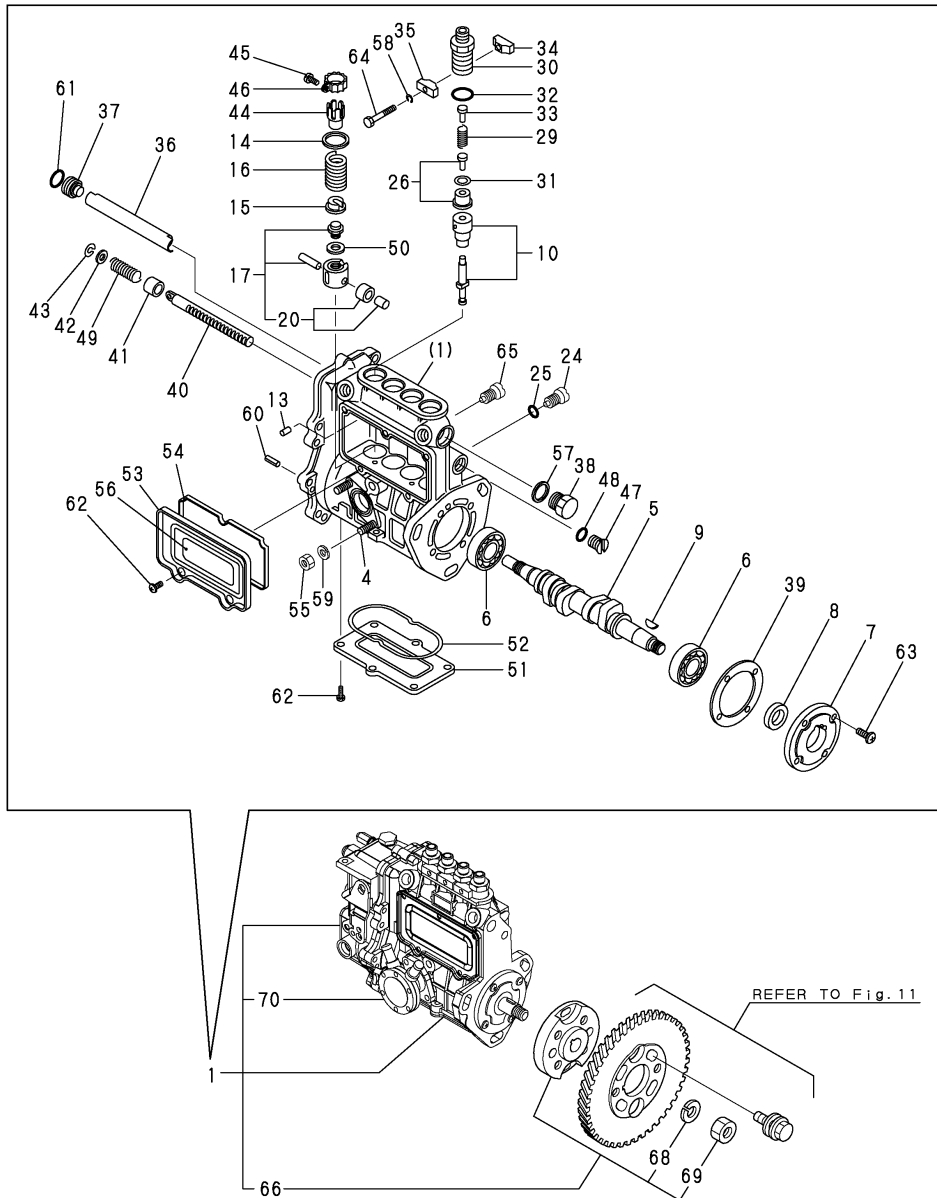


REF.	LEV.	PARTS NO.	DESCRIPTION	QTY						I	R
				(A)	(B)	(C)	(D)	(E)	(F)		
1	1	977780-01200	PUMP(12V).BILGE	1							
2	2	977780-01230	MOTOR ASSY(BILG PUMP)	1							
3	2	977780-01240	CONTROLLER	1							
4	3	X8636008003	FUSE	1							
5	2	X179100011X	STRAINER	1							
6	2	X179100100X	PIPE ASSY	1							
7	2	X0044021509	HOSE A	1							
8	2	X199903800X	SCREW KIT	1							
9	2	977780-03000	INPELLER	1							



(A)=4JH4E (D)=  
 (B)= (E)=  
 (C)= (F)=

Fig.26.FUEL INJECTION PUMP



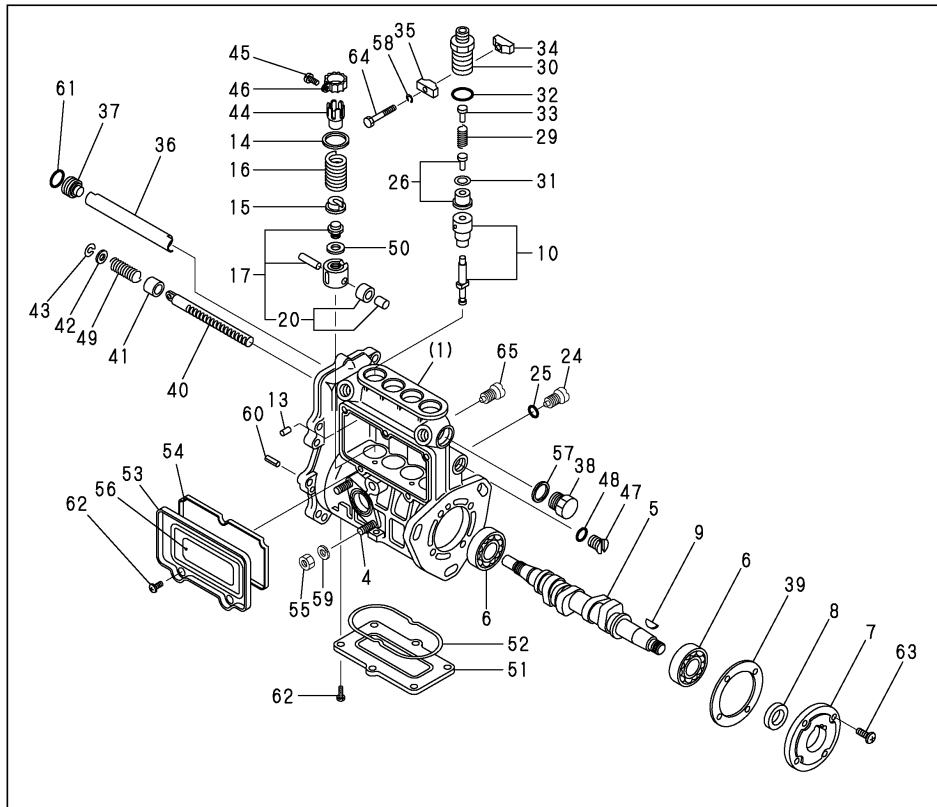
Remarks  
 (1)GOVERNOR ASSY(FIG.27)IS  
 INCORPORATED IN THIS  
 FUEL INJECTION PUMP(REF.NO.1)

REF.	LEV.	PARTS NO.	DESCRIPTION	QTY						I	R
				(A)	(B)	(C)	(D)	(E)	(F)		
1	1	729670-51450	FUEL INJECTION ASSY	1							1
4	3	129155-51020	STUD, FEED PUMP	2							
5	3	129506-51040	CAMSHAFT	1							
6	3	122710-51050	BEARING, ROLLER	2							
7	3	129486-51060	SUPPORT, CAMSHAFT	1							
8	3	129470-51080	SEAL, OIL	1							
9	3	122710-51090	KEY	1							
10	3	129470-51101	PLUNGER W/BARREL	4							
13	3	129155-51140	PIN, BARREL LOCKING	4							
14	3	174307-51170	RETAINER A	4							
15	3	129155-51180	SPRING SHOE, PLUNGER	4							
16	3	124950-51190	SPRING, PLUNGER	4							
17	3	129155-51200	TAPPET ASSY	4							
20	4	711100-51540	ROLLER ASSY	4							
24	3	129155-51270	LOCKING, TAPPET	4							
25	3	129155-51280	O-RING S6	4							
26	3	129670-51300	VALVE ASSY	4							
29	3	129573-51330	SPRING, DELY. VALVE	4							
30	3	129573-51340	GUARD, DELY. VALVE	4							
31	3	124550-51350	GASKET, DELIVERY	4							
32	3	124550-51370	O-RING, DELIVERY	4							
33	3	129573-51370	STOPPER, VALVE	4							
34	3	129155-51380	LOCKING (A)	2							
35	3	129155-51390	LOCKING (B)	2							
36	3	129555-51400	DEFLECTER	1							
37	3	129155-51410	CHECK BOLT,DEFLECTOR	1							
38	3	129155-51420	PLUG (M16)	1							
39	3	129155-51450	SHIM SET, ADJUSTING	1							
40	3	129555-51500	RACK, CONTROL	1							
41	3	129155-51521	BUSH, RACK	1							
42	3	129155-51530	SPACER, AUX. SPRING	1							
43	3	129155-51540	CIRCLIP	1							
44	3	129155-51550	PINION, CONTROL	4							
45	3	129100-51570	SCREW	4							
46	3	129100-51560	PINION	4							
47	3	129155-51570	PLUG (M12)	1							
48	3	129155-51580	O-RING	1							
49	3	129190-51590	SPRING, RACK	1							
50	3	129155-51600	SHIM PACK	4							
51	3	129555-51701	COVER	1							
52	3	129555-51711	GASKET	1							
53	3	129555-51751	COVER, SIDE	1							
54	3	129555-51761	GASKET, SIDE COVER	1							
55	3	26716-060002	NUT 6	2							
56	3	129156-51910	LABEL, CAUTION	1							
57	3	22190-160002	SEAL WASHER 16S	1							
58	3	22217-050000	SPRING WASHER 5	2							
59	3	22217-060000	SPRING WASHER 6	2							
60	3	22351-050010	SPRING PIN 5X10	2							
61	3	24341-000160	O-RING 1A S-16.0	1							
62	3	26022-050122	SCREW M 5X 12	11							
63	3	26022-060162	SCREW M 6X 16	4							
64	3	26116-050302	BOLT M 5X 30 PLATED	2							
65	3	129155-51790	LOCKING, RACK	1							

++ CONTINUE ++

Fig.26.FUEL INJECTION PUMP

(A)=4JH4E (D)=  
 (B)= (E)=  
 (C)= (F)=

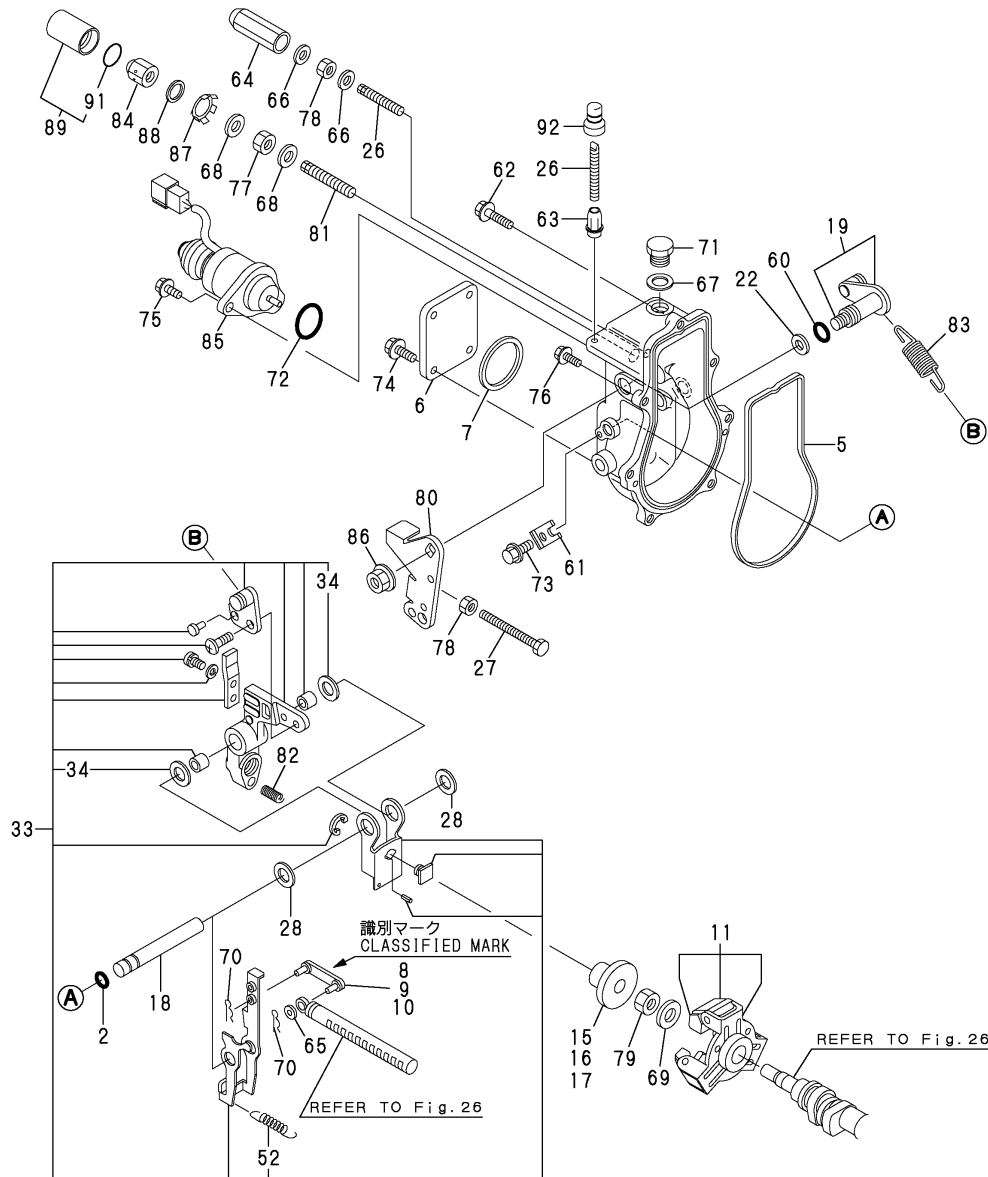


REF.	LEV.	PARTS NO.	DESCRIPTION	----- QTY -----						I	R
				(A)	(B)	(C)	(D)	(E)	(F)		
66	3	129208-54500	FLANGE ASSY	1							
68	4	22217-120000	SPRING WASHER	1							
69	4	26716-120002	NUT 12	1							
70	2	129158-52000	FUEL PUMP ASSY	1							

Remarks  
 (1)GOVERNOR ASSY(FIG.27)IS  
 INCORPORATED IN THIS  
 FUEL INJECTION PUMP(REF.NO.1)

Fig.27.GOVERNOR

(A)=4JH4E (D)=  
 (B)= (E)=  
 (C)= (F)=

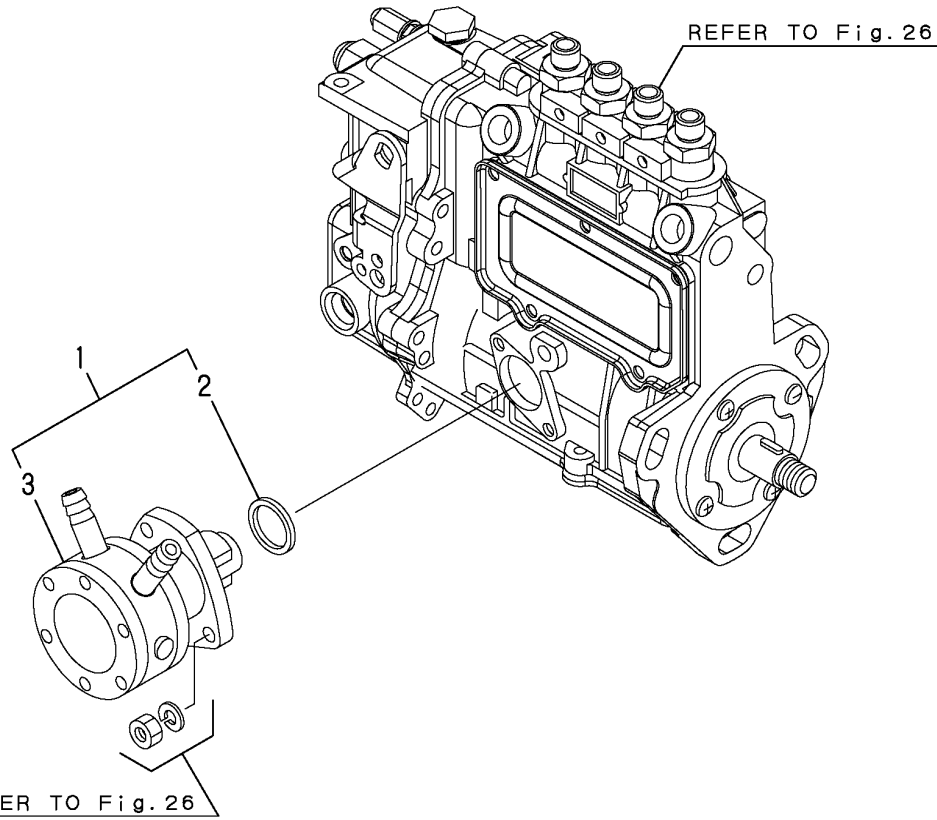


REF.	LEV.	PARTS NO.	DESCRIPTION	QTY						I	R
				(A)	(B)	(C)	(D)	(E)	(F)		
2	2	129155-51280	O-RING S6	1							
5	2	129052-61051	GASKET, GOV. CASE	1							
6	2	129052-61060	COVER	1							
7	2	129052-61071	GASKET, COVER	1							
8	2	129155-61120	LINK L=30(MARK 0)	1							1
9	2	129155-61130	LINK L=31(MARK 1)	1							1
10	2	129155-61140	LINK L=30.5(MARK 05)	1							1
11	2	129486-61201	WEIGHT ASSY,GOVERNOR	1							
15	2	129155-61341	SLEEVE	1							2
16	2	129155-61350	SLEEVE	1							2
17	2	129155-61360	SLEEVE	1							2
18	2	129052-61390	SHAFT, GOV. LEVER	1							
19	2	129100-61400	SHAFT ASSY, CONTROL	1							
22	2	129155-61430	SPACER, SHAFT	1							
26	2	129155-61450	BOLT, REVOL. LIMIT	2							
27	2	129155-61460	BOLT, IDLE LIMIT	1							
28	2	129155-61480	SPACER ASSY	2							
33	2	119908-61501	LEVER ASSY,GOVERNOR	1							
34	3	174307-51700	SHIM SET	2							
52	3	129486-61540	SPRING, SET	1							
60	2	129155-61830	O-RING S10	1							
61	2	119660-61901	RETAINER, SHAFT	1							
62	2	129155-61950	BOLT, WASHER BASED	1							
63	2	129209-61370	NUT M6	1							
64	2	119600-66840	NUT, CAP	1							
65	2	22117-040000	WASHER 4	1							
66	2	22190-060003	SEAL WASER 6	2							
67	2	22190-100002	SEAL WASHER 10S	1							
68	2	22190-120002	SEAL WASHER 12	2							
69	2	22287-120000	WASHER 12	1							
70	2	22372-040000	SNAP PIN 4	2							
71	2	23887-100002	PLUG 10	1							
72	2	24341-000280	O-RING 1A S-28.0	1							
73	2	26106-060102	BOLT M 6X 10 PLATED	1							
74	2	26106-060102	BOLT M 6X 10 PLATED	4							
75	2	26106-060142	BOLT M 6X 14 PLATED	2							
76	2	26106-060202	BOLT M 6X 20 PLATED	6							
77	2	26736-120002	NUT M12	1							
78	2	26756-060002	LOCK NUT 6	2							
79	2	26776-120002	LOCK NUT M12 PLATED	1							
80	2	129100-61440	LEVER, CONTROL	1							
81	2	120323-61470	BOLT, CONTROL	1							
82	2	119800-61650	SPRING, FUEL CONTROL	1							
83	2	171353-61700	SPRING, GOVERNOR	1							
84	2	129209-61930	CAP NUT	1							
85	2	129271-77950	SOLENOID, STOP	1							
86	2	26366-080002	NUT M 8	1							
87	2	129209-61970	PLATE	1							
88	2	23414-120016	GASKET 12	1							
89	1	129209-61940	CASE ASSY	1							
91	2	24311-000150	O-RING 1A P-15.0	1							
92	1	119285-66610	CAP, HIGH-IDLE	1							

Remarks  
 (1)SELECTIVE PARTS:CERTAIN THE CLASSIFICATION MARK, THEN PLACE YOUR ORDER.(REFER TO ILLUSTRATION)  
 (2)SELECTIVE PARTS.

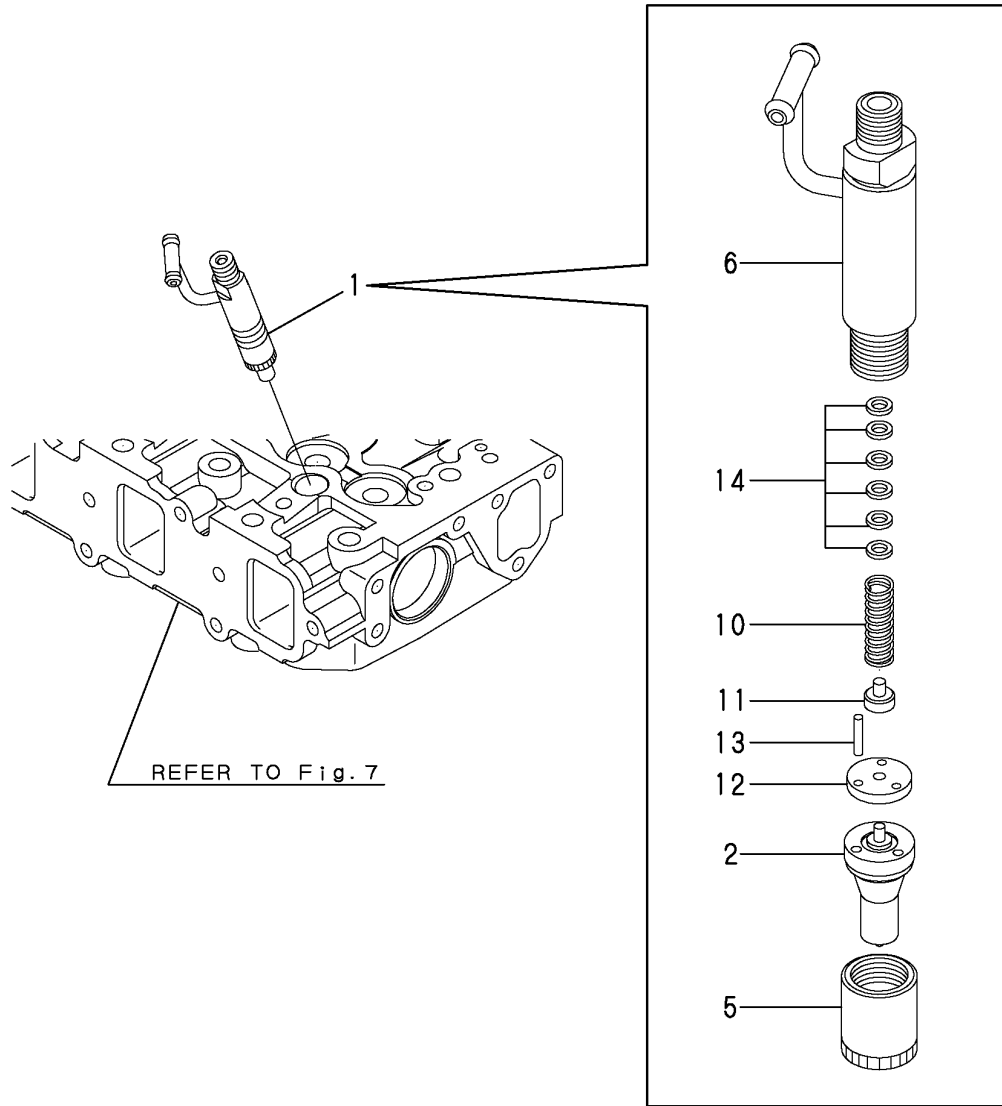
Fig.28.FUEL FEED PUMP

(A)=4JH4E (D)=  
 (B)= (E)=  
 (C)= (F)=



REF.	LEV.	PARTS NO.	DESCRIPTION	Q'TY						I	R
				(A)	(B)	(C)	(D)	(E)	(F)		
1	2	129158-52000	FUEL PUMP ASSY	1							
2	3	129155-52051	GASKET	1							
3	3	129158-52100	FEED PUMP ASSY	1							

Fig.29.FUEL INJECTION VALVE

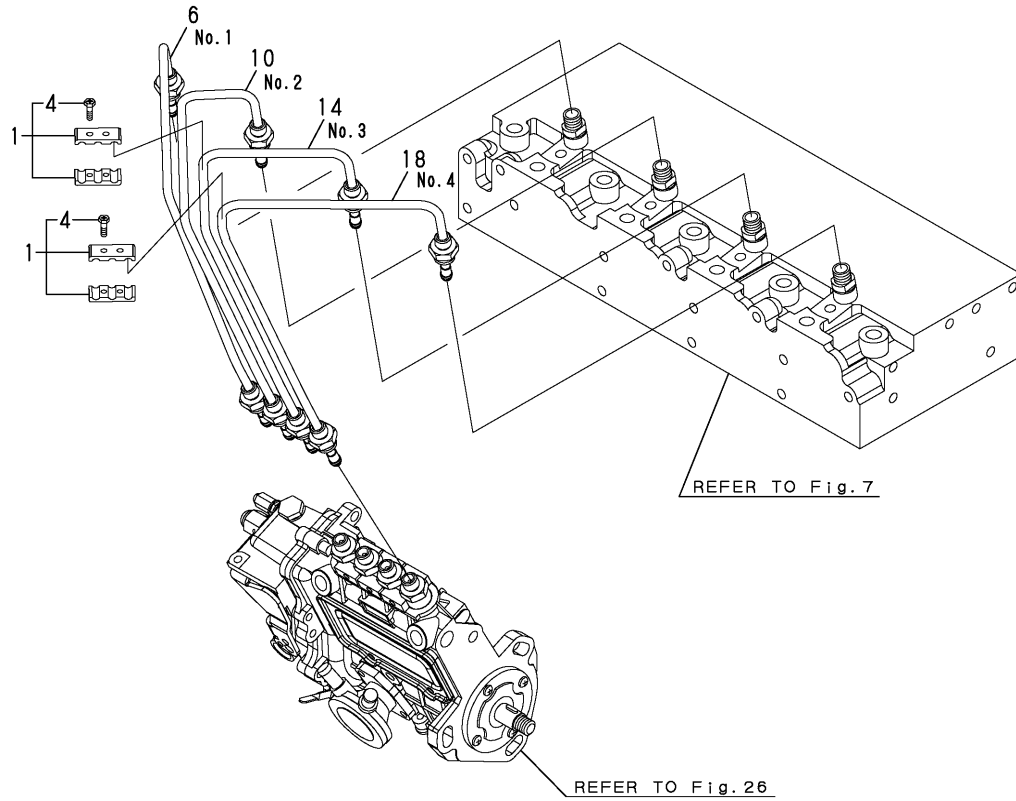


(A)=4JH4E (D)=  
 (B)= (E)=  
 (C)= (F)=

REF.	LEV.	PARTS NO.	DESCRIPTION	Q'TY						I	R
				(A)	(B)	(C)	(D)	(E)	(F)		
1	1	729602-53101	VALVE ASSY, F.INJECT	4							
2	2	129602-53001	NOZZLE ASSY	4							
5	2	114250-53080	NUT, NOZZLE CASE	4							
6	2	119802-53100	HOLDER ASSY, NOZZLE	4							
10	2	114250-53120	SPRING, NOZZLE	4							
11	2	114250-53130	SEAT, NOZZLE SPRING	4							
12	2	114250-53140	PLATE, STOP	4							
13	2	114250-53210	PIN	8							
14	2	114250-53400	SHIM PACK	4							

(A)=4JH4E (D)=  
 (B)= (E)=  
 (C)= (F)=

Fig.30.FUEL INJECTION PIPE

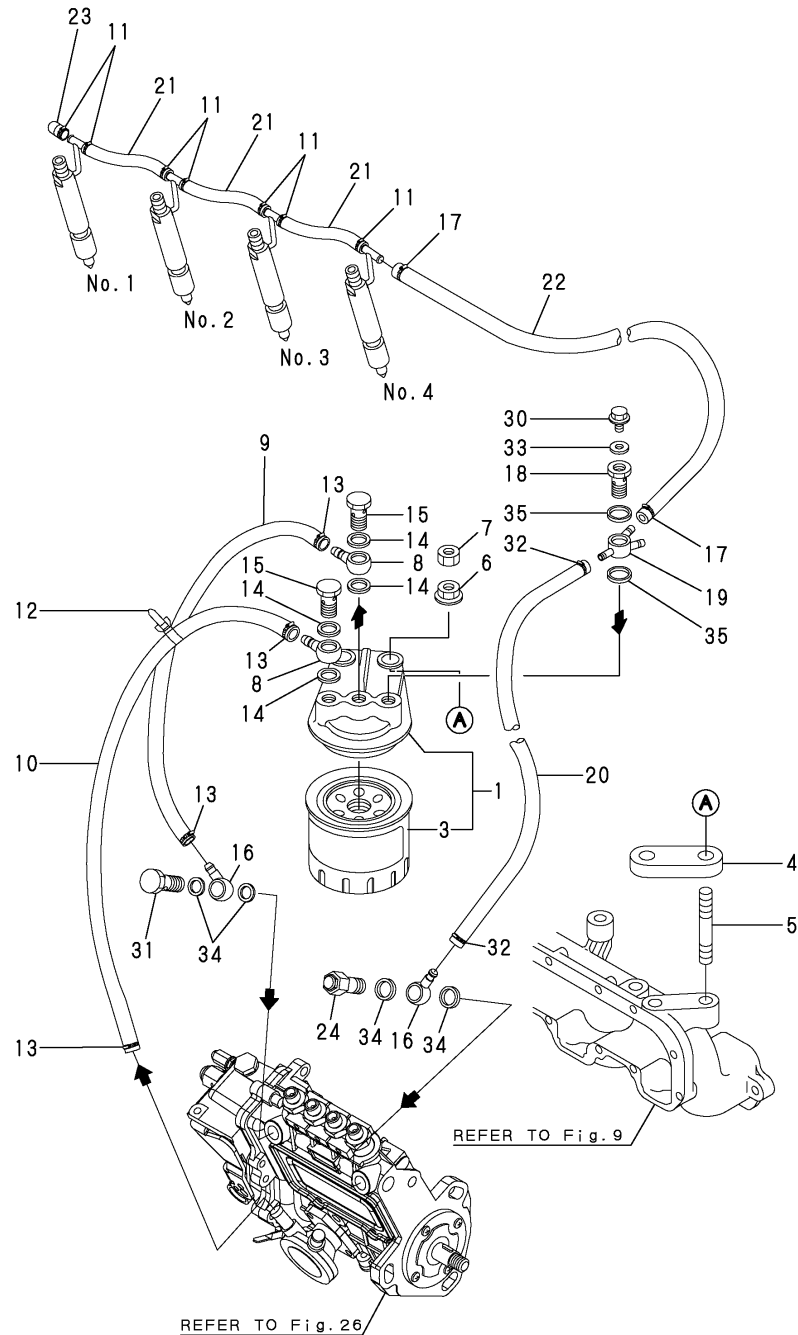


REF.	LEV.	PARTS NO.	DESCRIPTION	Q'TY						I	R
				(A)	(B)	(C)	(D)	(E)	(F)		
1	1	129150-59120	RETAINER, INJ. PIPE	2							
4	2	129150-59131	BOLT M4X14,HEX.SCKT.	4							
6	1	129670-59810	PIPE, FUEL INJECTION	1							
10	1	129670-59820	PIPE, FUEL INJECTION	1							
14	1	129670-59830	PIPE, FUEL INJECTION	1							
18	1	129670-59840	PIPE, FUEL INJECTION	1							



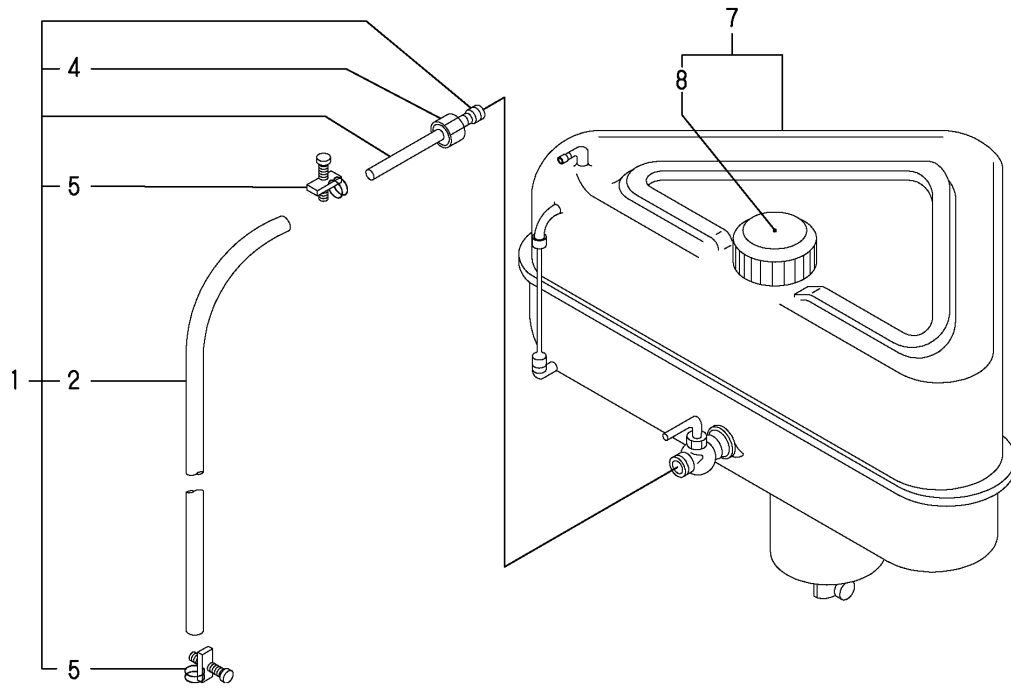
(A)=4JH4E (D)=  
 (B)= (E)=  
 (C)= (F)=

Fig.31.FUEL PIPE & FUEL STRAINER



REF.	LEV.	PARTS NO.	DESCRIPTION	QTY						I	R
				(A)	(B)	(C)	(D)	(E)	(F)		
1	1	129470-55601	STRAINER ASSY, FUEL	1							
3	2	129470-55702	FILTER, FUEL	1							
4	1	119173-55700	RUBBER	1							
5	1	26216-100402	STUD M12X 40 PLATED	2							
6	1	26306-100002	NUT	2							
7	1	26716-100002	NUT 10	2							
8	1	101304-59020	JOINT 12, PIPE	2							
9	1	129470-59122	PIPE, FUEL OIL	1							
10	1	129570-59121	PIPE, FUEL OIL	1							
11	1	23000-013000	CLAMP 13	7							
12	1	121750-59890	CLAMP 140	1							
13	1	23000-016000	CLAMP 16	4							
14	1	22190-120002	SEAL WASHER 12	4							
15	1	23857-060000	JOINT BOLT 6	2							
16	1	101304-59020	JOINT 12, PIPE	2							
17	1	23000-013000	CLAMP 13	2							
18	1	129495-59300	BOLT, PIPE JOINT	1							
19	1	129470-59530	JOINT, FUEL RETN. PIPE	1							
20	1	129470-59542	PIPE, FUEL OIL	1							
21	1	129270-59550	PIPE, FUEL OIL	3							
22	1	129470-59562	PIPE, FUEL OIL	1							
23	1	129270-59580	CAP	1							
24	1	119813-59950	VALVE ASSY, CHECK	1							
30	1	26106-080102	BOLT M 8X 10 PLATED	1							
31	1	23857-060000	JOINT BOLT 6	1							
32	1	23000-016000	CLAMP 16	2							
33	1	22190-080002	SEAL WASHER 8S	1							
34	1	22190-120002	SEAL WASHER 12	4							
35	1	22190-140002	SEAL WASHER 14S	2							

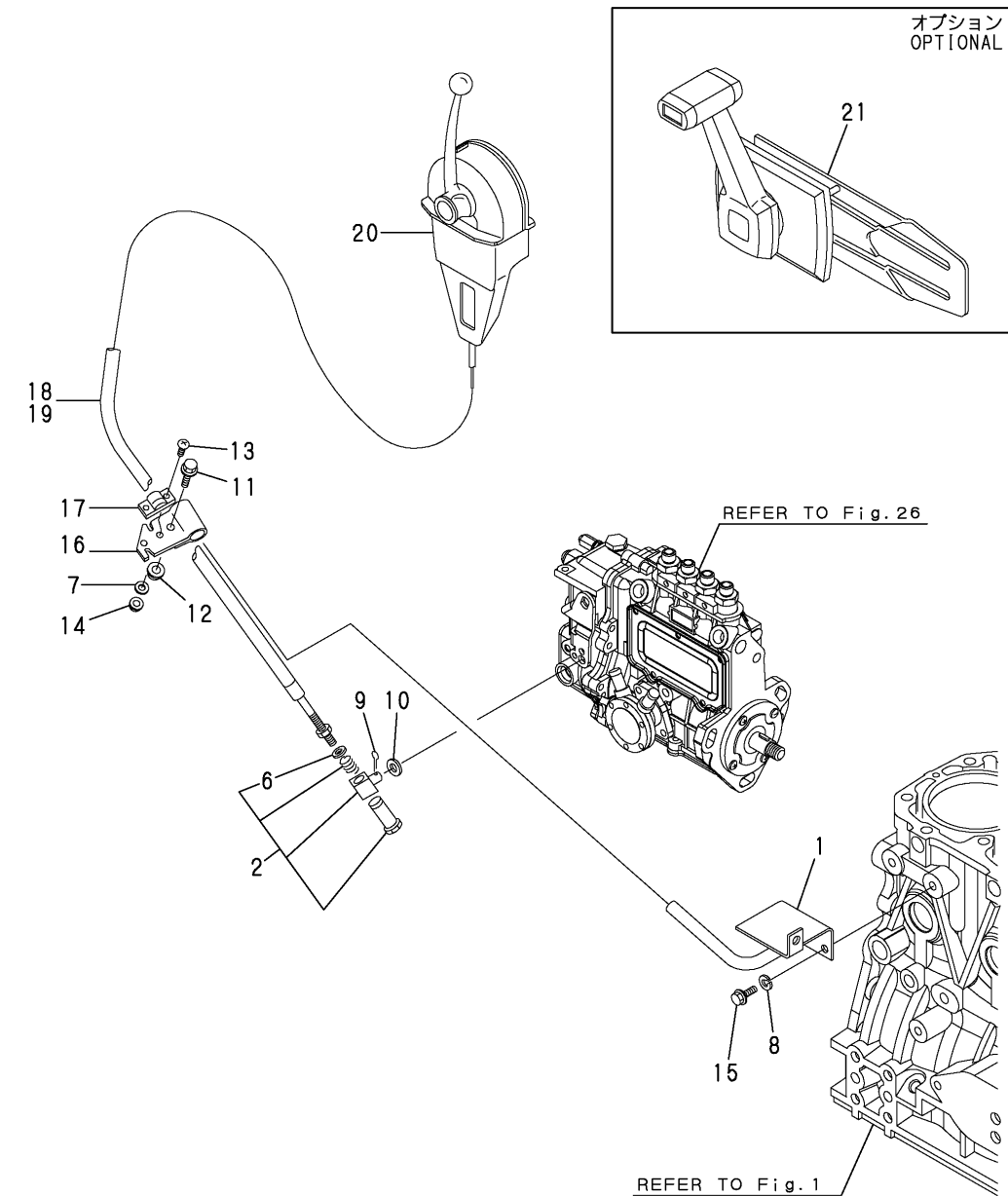
Fig.32.FUEL TANK(OPTIONAL)



(A)=4JH4E (D)=  
 (B)= (E)=  
 (C)= (F)=

REF.	LEV.	PARTS NO.	DESCRIPTION	Q'TY						I	R
				(A)	(B)	(C)	(D)	(E)	(F)		
1	1	124070-59060	PIPE, FUEL OIL	1							
2	2	124070-59130	PIPE, FUEL OIL	1							
4	2	138603-59380	CAP NUT	1							
5	2	23010-014000	CLAMP 14	2							
7	1	83213-003012	TANK (30L), FUEL	1							
8	2	105430-55041	CAP, FUEL TANK	1							

Fig.33.CABLE SUPPORT



(A)=4JH4E (D)=  
 (B)= (E)=  
 (C)= (F)=

REF.	LEV.	PARTS NO.	DESCRIPTION	QTY						I	R	
				(A)	(B)	(C)	(D)	(E)	(F)			
1	1	129670-67100	BRACKET, REMOTE-CONT	1								
2	1	129470-67200	RETAINER, JOINT	1								
6	2	22242-000100	CIRCLIP 10	1								
7	1	22217-050000	SPRING WASHER 5	2								
8	1	22217-080000	SPRING WASHER 8	2								
9	1	22414-250150	COTTER PIN 2.5X15	1								
10	1	23414-080000	GASKET 8, ROUND	1								
11	1	26106-080252	BOLT M 8X 25 PLATED	1								
12	1	26306-080002	NUT	1								
13	1	26557-050122	SCREW M 5X 12	2								
14	1	26716-050002	NUT M 5	2								
15	1	26106-080122	BOLT M 8X 12 PLATED	2								
16	1	41701-001720	BRACKET	1								
17	1	41710-000410	CLAMP	1								
18	1	41710-000380	CABLE L=4000	2								
19	1	129470-86500	CABLE,REMO-CON.(7M)	2								
20	1	41730-000681	MT-3 REMO-CON	1								
21	1	128170-86501	REMOCON HEAD (MN)	1								

---

---

---

---

---

---

---

---

---

---

---

---

---

---

---

---

---

---

---

---

---

---

---

---

---

---

---

---

---

---

---

Fig.34.CLUTCH

(A)=4JH4E (D)=  
 (B)= (E)=  
 (C)= (F)=

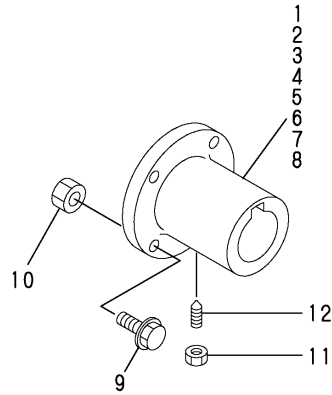
REF.	LEV.	PARTS NO.	DESCRIPTION	Q'TY						I	R
				(A)	(B)	(C)	(D)	(E)	(F)		
1	1	129270-81110	CLUTCH, KM35P I=2.36	1							
2	1	129270-81120	CLUTCH, KM35P I=2.61	1							
3	1	129270-81210	CLUTCH, KM35P I=2.36	1							1
4	1	129270-81220	CLUTCH, KM35P I=2.61	1							1
5	1	129670-81200	CLUTCH, KM35A2I=2.33	1							
6	1	129670-81210	CLUTCH, KM35A2I=2.64	1							
7	1	129670-81220	CLUTCH, KM35A2I=2.33	1							1
8	1	129670-81230	CLUTCH, KM35A2I=2.64	1							1
9	1	129670-81040	CLUTCH, KM4A I=1.47	1							
10	1	129670-81050	CLUTCH, KM4A I=2.14	1							
11	1	129670-81060	CLUTCH, KM4A I=2.63	1							
12	1	129670-81070	CLUTCH, KM4A I=3.30	1							
13	1	129670-81100	MIRINE GEAR,ZF30M	1							
14	1	129670-81110	MIRINE GEAR,ZF30M	1							
15	1	128170-13600	STUD	2							
16	1	26106-080202	BOLT M 8X 20 PLATED	6							
17	1	26306-080002	NUT	2							

Remarks  
 THIS FIGURE ARE NOT ILLUSTRATED.  
 (1)WITH SEFETY SWITCH STAY.  
 OPTIONAL.

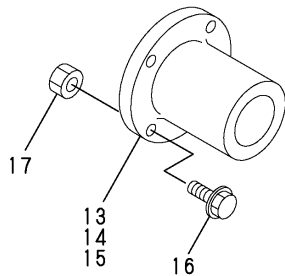
Fig.35.COUPLING(OPTIONAL)

(A)=4JH4E (D)=  
 (B)= (E)=  
 (C)= (F)=

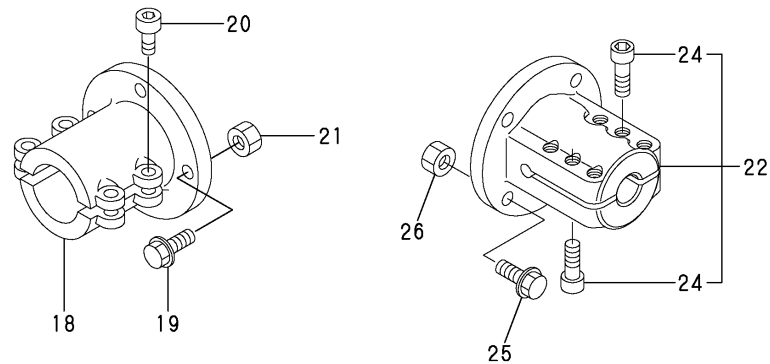
テーパカップリング  
 TAPER COUPLING



ストレートカップリング  
 STRAIGHT COUPLING

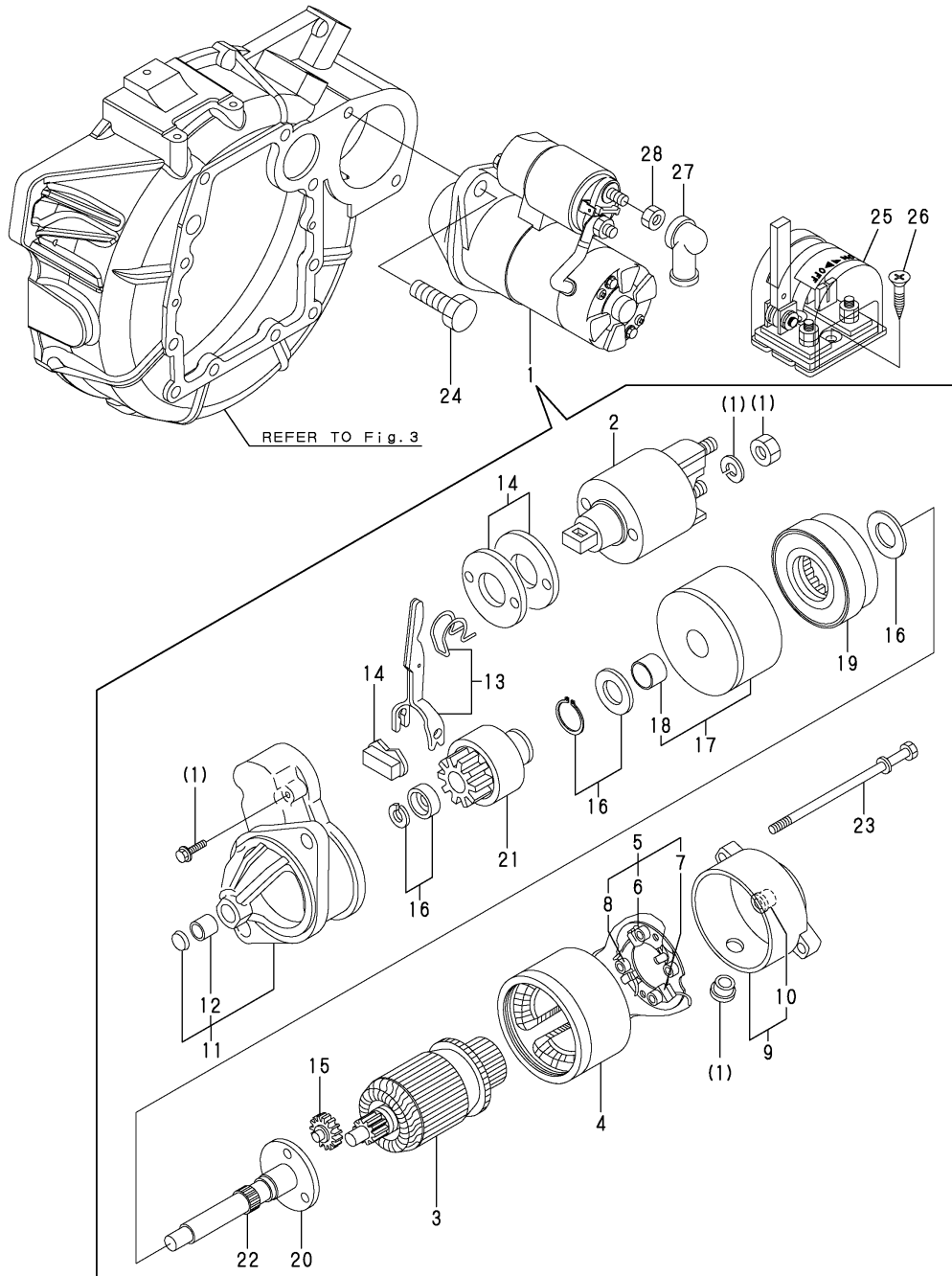


スリットカップリング  
 SLIT COUPLING



REF.	LEV.	PARTS NO.	DESCRIPTION	QTY						I	R
				(A)	(B)	(C)	(D)	(E)	(F)		
1	1	129171-85900	COUPLING,TAPER	1							
2	1	129670-85900	COUPLING,TAPER 34	1							
3	1	129473-85900	COUPLING	1							
4	1	48110-028071	COUPLING,TAPER 28	1							
5	1	48110-032502	COUPLING,TAPER 30	1							
6	1	48110-030061	COUPLING	1							
7	1	48110-032065	COUPLING 32	1							
8	1	48110-034071	COUPLING 34	1							
9	1	26106-100322	BOLT M10X 32 PLATED	4							
10	1	26706-100002	NUT M10	4							
11	1	26756-080002	LOCK NUT M 8 PLATED	1							
12	1	48110-032411	SCREW	1							
13	1	105583-85900	COUPLING 22	1							
14	1	129470-85900	COUPLING	1							
15	1	129673-85100	CUPLING STRAIGHT ZF	1							
16	1	26106-100322	BOLT M10X 32 PLATED	4							
17	1	26706-100002	NUT M10	4							
18	1	104214-83980	COUPLING (20), SLIT	1							
19	1	26106-100322	BOLT M10X 32 PLATED	4							
20	1	26450-080282	BOLT M 8X 28	4							
21	1	26706-100002	NUT M10	4							
22	1	129470-83750	COUPLING	1							
24	2	26450-120402	BOLT M12X 40	6							
25	1	26106-100322	BOLT M10X 32 PLATED	4							
26	1	26706-100002	NUT M10	4							

Fig.36.STARTING MOTOR



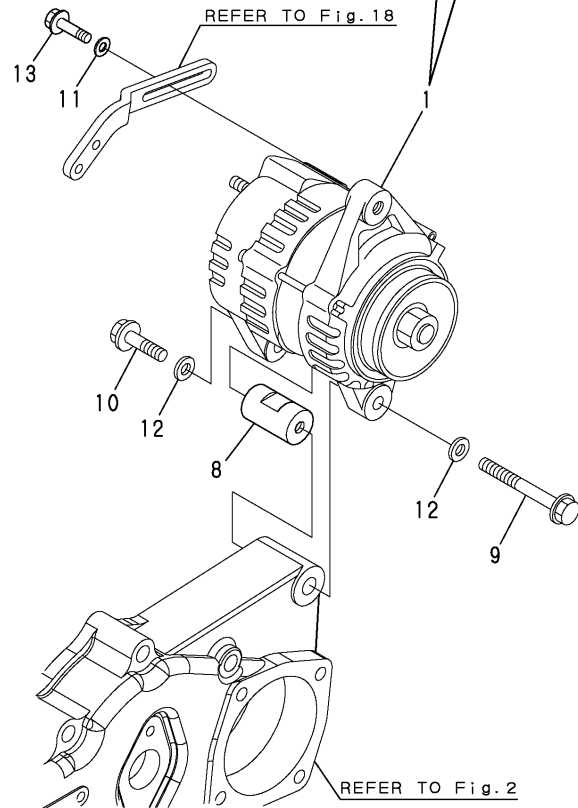
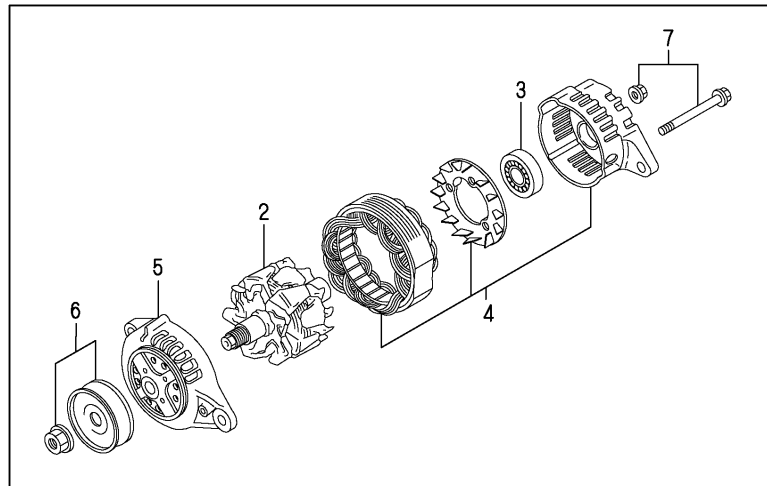
Y00R5690 36.STARTING MOTOR

(A)=4JH4E (D)=  
 (B)= (E)=  
 (C)= (F)=

REF.	LEV.	PARTS NO.	DESCRIPTION	QTY						I	R
				(A)	(B)	(C)	(D)	(E)	(F)		
1	1	129608-77010	STARTNG MOTOR	1							
2	2	129698-77020	MAGNETIC SWITCH ASSY	1							
3	2	129698-77101	ARMATURE ASSY	1							
4	2	129608-77110	YOKE ASSY	1							
5	2	129698-77120	HOLDER ASSY,BRUSH	1							
6	3	129698-77140	BRUSH(+) SET	1							
7	3	129698-77130	BRUSH (-)	2							
8	3	129698-77150	SPRING, BRUSH	4							
9	2	129698-77161	COVER ASSY, REAR	1							
10	3	129698-77170	REAR COVER METAL	1							
11	2	129698-77260	HOUSING ASSY, GEARS	1							
12	3	X2114535200	METAL, STARTER	1							
13	2	129698-77270	LEVER, SHIFT	1							
14	2	129698-77280	COVER ASSY, DUST	1							
15	2	129698-77240	GEAR	3							
16	2	129698-77250	WASHER SET	1							
17	2	129698-77180	BRACKET	1							
18	3	129698-77190	BRACKET	1							
19	2	129698-77200	INTERNAL GEAR	1							
20	2	129698-77210	BRACKET	1							
21	2	129698-77220	PINION ASSY	1							
22	2	129698-77230	SHAFT(PINION	1							
23	2	124195-77770	THROUGH BOLT	2							
24	1	26116-120302	BOLT M12X 30 PLATED	2							
25	1	123310-77640	SWITCH, BATTERY	1							
26	1	22724-800380	SCREW 8X 38	2							
27	1	124550-77030	COVER, TERMINAL	1							
28	1	26756-080002	LOCK NUT M 8 PLATED	1							

Fig.37.GENERATOR

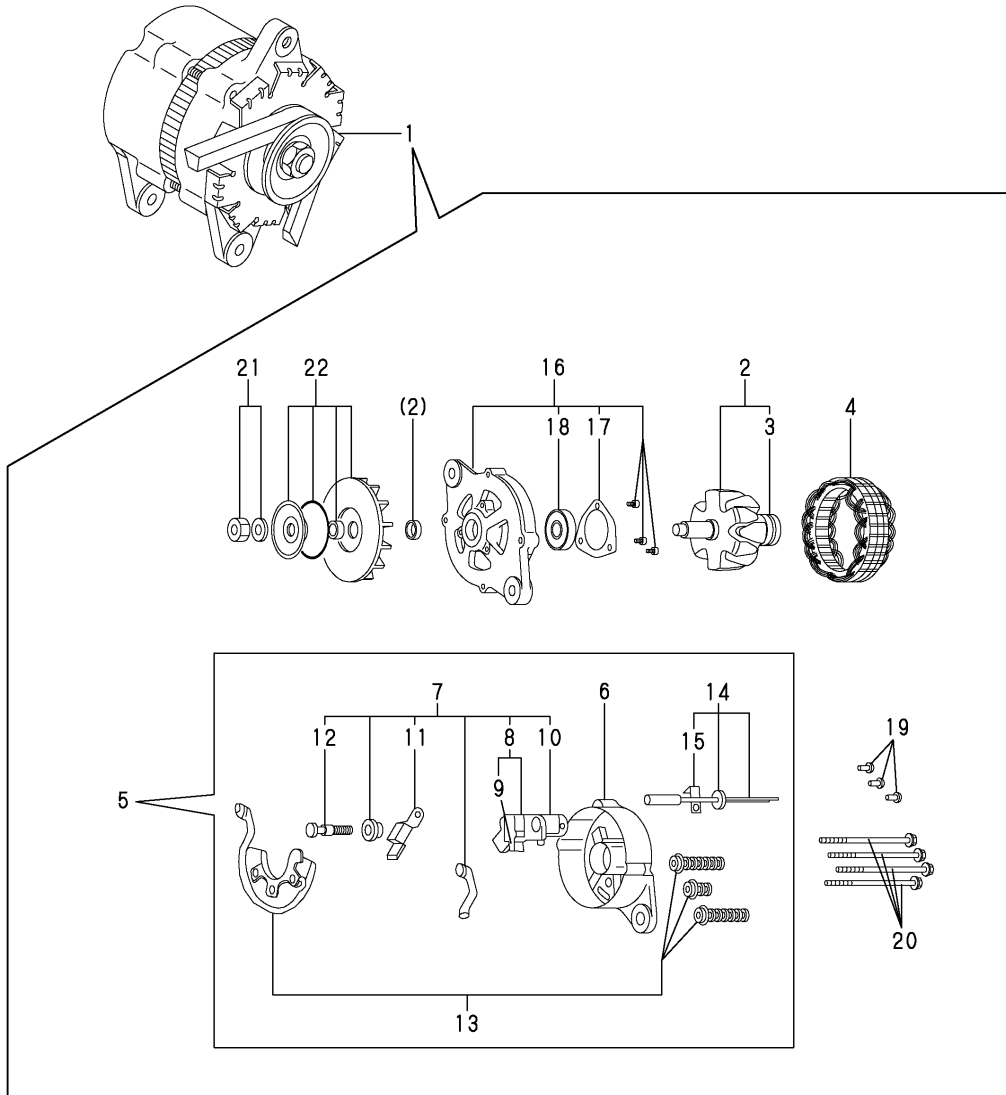
(A)=4JH4E (D)=  
 (B)= (E)=  
 (C)= (F)=



REF.	LEV.	PARTS NO.	DESCRIPTION	QTY						I	R
				(A)	(B)	(C)	(D)	(E)	(F)		
1	1	128271-77200	GENERATOR 12V-60A	1							
2	2	123900-77700	ROTOR ASSY	1							
3	2	129612-77710	BALL BEARING	1							
4	2	128271-77720	BRACKET(STATOR+REGUL	1							
5	2	123900-77730	FRONT BRACKET ASSY	1							
6	2	128271-77740	PULLEY	1							
7	2	128271-77750	SCREW KIT	1							
8	1	129670-77340	SPACER,GENERATOR	1							
9	1	129695-77370	BOLT 10X 75	1							
10	1	129695-77380	BOLT 10X 30	1							
11	1	22137-080000	WASHER 8, POLISHED	1							
12	1	22137-100000	WASHER 10,POLISHED	2							
13	1	26106-080252	BOLT M 8X 25 PLATED	1							

(A)=4JH4E (D)=  
 (B)= (E)=  
 (C)= (F)=

Fig.38.GENERATOR(80A/OPTIONAL)



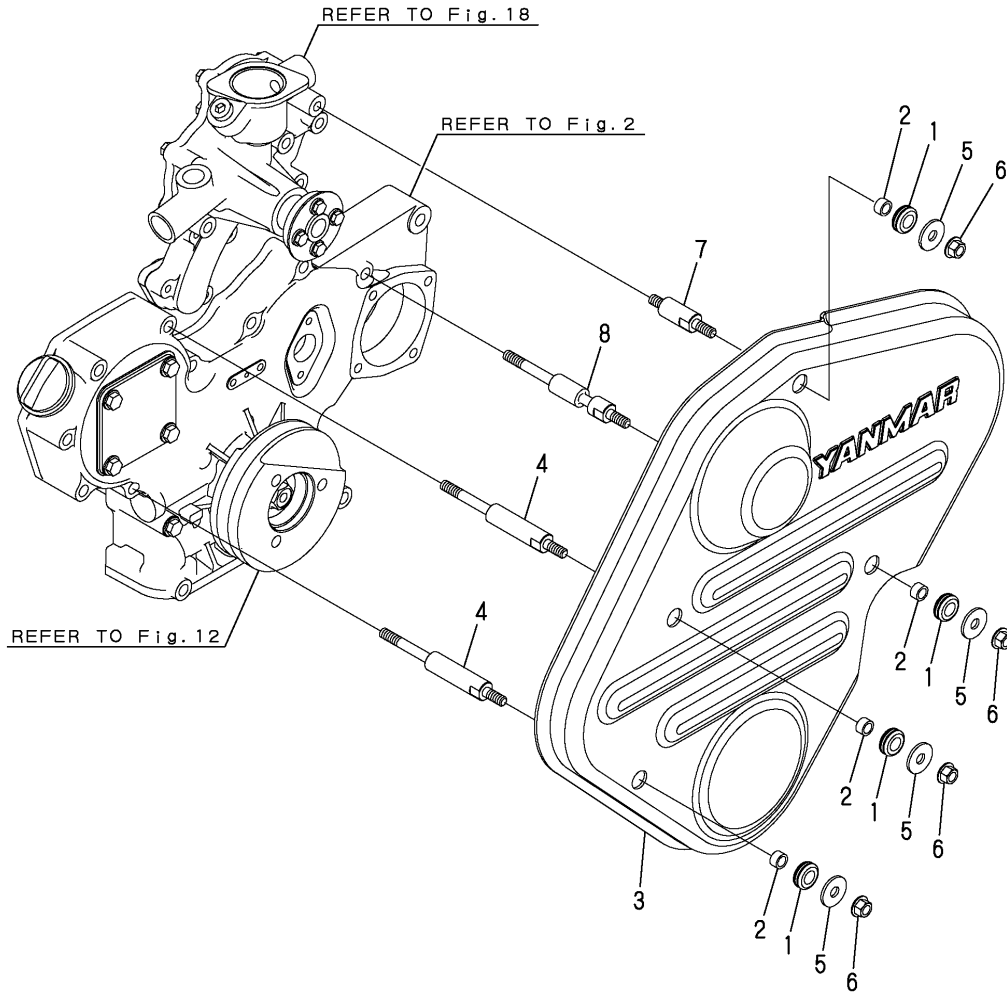
REF.	LEV.	PARTS NO.	DESCRIPTION	QTY						I	R
				(A)	(B)	(C)	(D)	(E)	(F)		
1	1	119573-77201	ALTERNATER(12V-80A	1							
2	2	XL180G61000	ROTOR ASSY	1							
3	3	119129-77320	BALL BEARING	1							
4	2	XL180120000	STATOR ASSY	1							
5	2	XL180G63006	COVER ASSY, REAR	1							
6	3	XL180G13012	COVER, REAR	1							
7	3	XL180G43150	BRUSH ASSY,REGULATOR	1							
8	4	XL155G1330	BRUSH ASSY	1							1
9	4	XL225G1325	BRUSH SET	2							
10	4	124080-77390	REGULATOR ASSY	1							
11	4	XL225431800	CONDENSER	1							
12	4	124080-77520	BOLT M5	2							
13	3	XL1808320	DIODE ASY	1							
14	3	119129-77250	WIRE	1							
15	4	119129-77260	CLAMP,LEAD WIRE	1							
16	2	XL235340110	COVER ASSY, FRONT	1							
17	3	XL150M14041	RETAINER	1							
18	3	X6303BM0000	BALL BEARING	1							
19	2	119129-77930	SCREW KIT	1							
20	2	119129-77890	BOLT, THROUGH	4							
21	2	119129-77900	NUT ASSY, PULLEY	1							
22	2	XL180G85001	PULLEY ASSY	1							

Remarks  
 (1)INC.9



Fig.39.V-BELT COVER

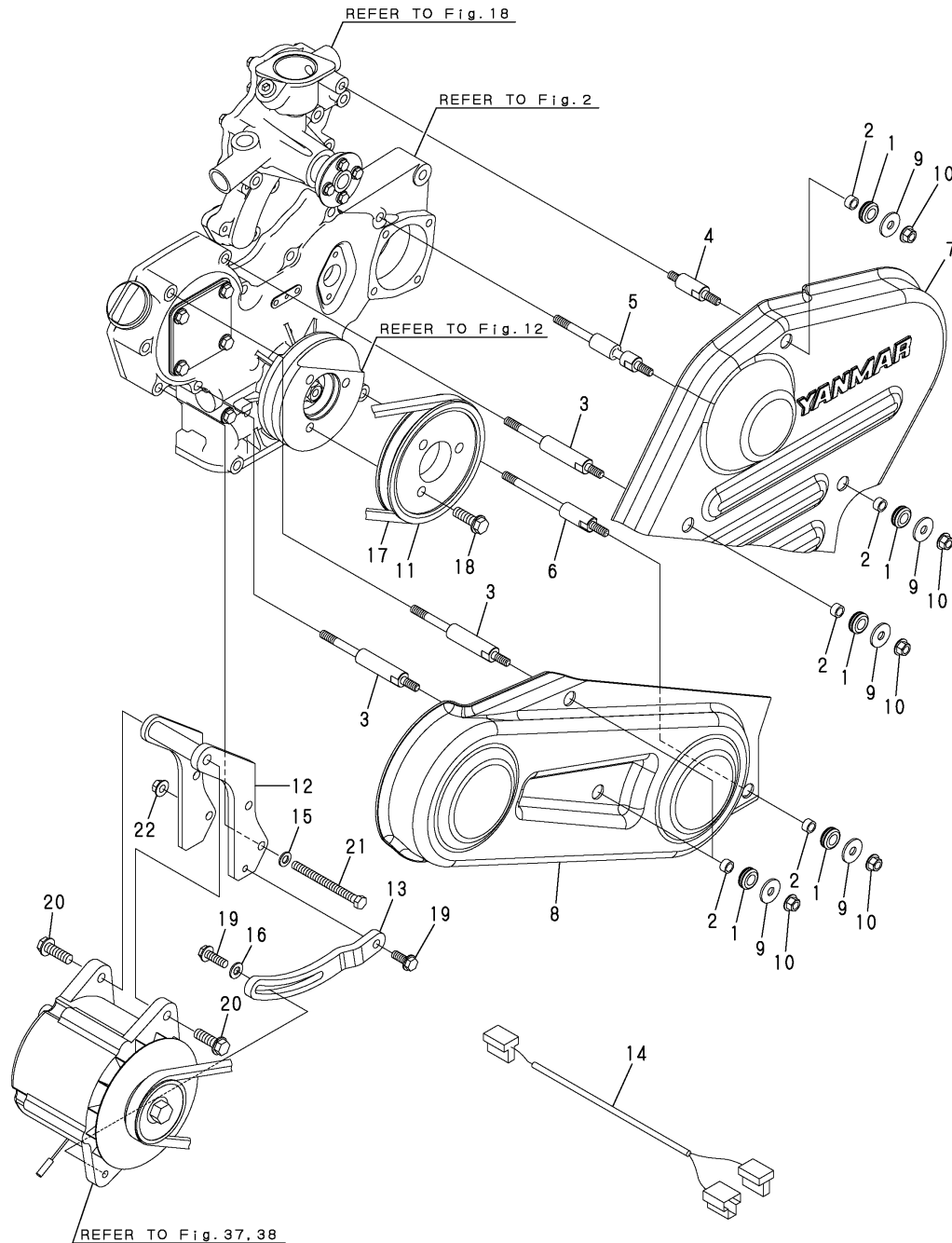
(A)=4JH4E (D)=  
 (B)= (E)=  
 (C)= (F)=



REF.	LEV.	PARTS NO.	DESCRIPTION	QTY						I	R
				(A)	(B)	(C)	(D)	(E)	(F)		
1	1	105100-55501	GROMMET	4							
2	1	105100-55540	COLLAR, FUEL TANK	4							
3	1	129271-77400	COVER,BELT	1							
4	1	129271-77410	BOLT,BELT COVER	2							
5	1	22157-080000	WASHER 8	4							
6	1	26306-080002	NUT	4							
7	1	129271-77420	BOLT,BELT COVER	1							
8	1	129271-77430	BOLT,BELT COVER	1							

(A)=4JH4E (D)=  
 (B)= (E)=  
 (C)= (F)=

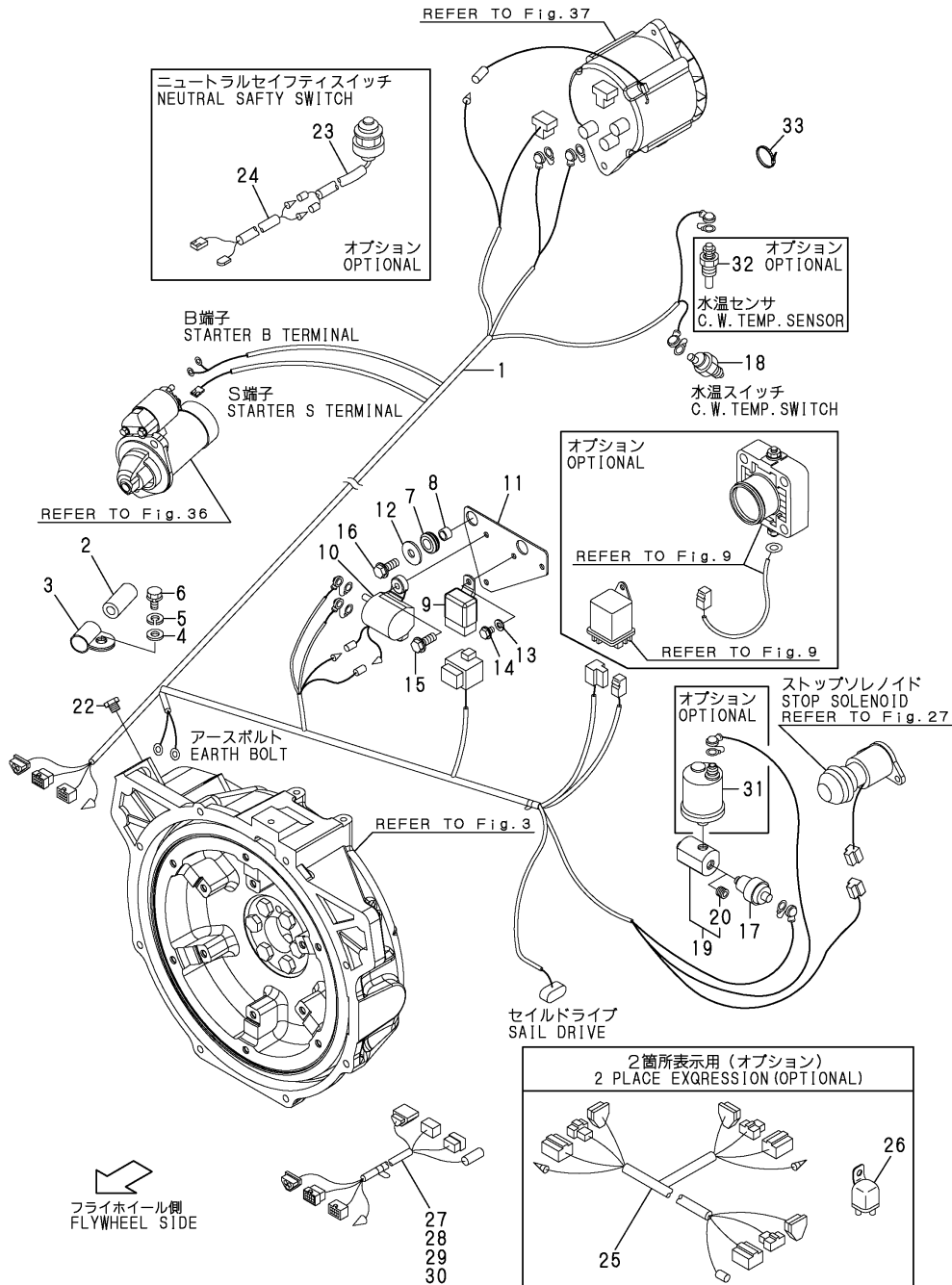
Fig.40.V-BELT COVER & GENERATOR ATTACHMENT PART(OPTIONAL)



REF.	LEV.	PARTS NO.	DESCRIPTION	QTY						I	R
				(A)	(B)	(C)	(D)	(E)	(F)		
1	1	105100-55501	GROMMET	6							
2	1	105100-55540	COLLAR, FUEL TANK	6							
3	1	129271-77410	BOLT,BELT COVER	3							
4	1	129271-77420	BOLT,BELT COVER	1							
5	1	129271-77430	BOLT,BELT COVER	1							
6	1	129271-77440	BOLT,BELT COVER	1							
7	1	129271-77500	COVER A,BELT	1							
8	1	129271-77510	COVER B,BELT	1							
9	1	22157-080000	WASHER 8	6							
10	1	26306-080002	NUT	6							
11	1	129271-21350	V-PULLEY,FRONT DRIVE	1							
12	1	129271-77310	BRACKET,ALTERNATOR	1							
13	1	129271-77330	ADJUSTER,ALTERNATOR	1							
14	1	129271-77930	HARNESS,ALTERNATOR	1							
15	1	22137-080000	WASHER 8, POLISHED	2							
16	1	22137-080000	WASHER 8, POLISHED	1							
17	1	25132-003800	V-BELT (A-38)	1							
18	1	26106-080252	BOLT M 8X 25 PLATED	4							
19	1	26106-080252	BOLT M 8X 25 PLATED	2							
20	1	26106-100302	BOLT M10X 30 PLATED	2							
21	1	26116-080904	BOLT M 8X 90 PLATED	2							
22	1	26306-080002	NUT	2							

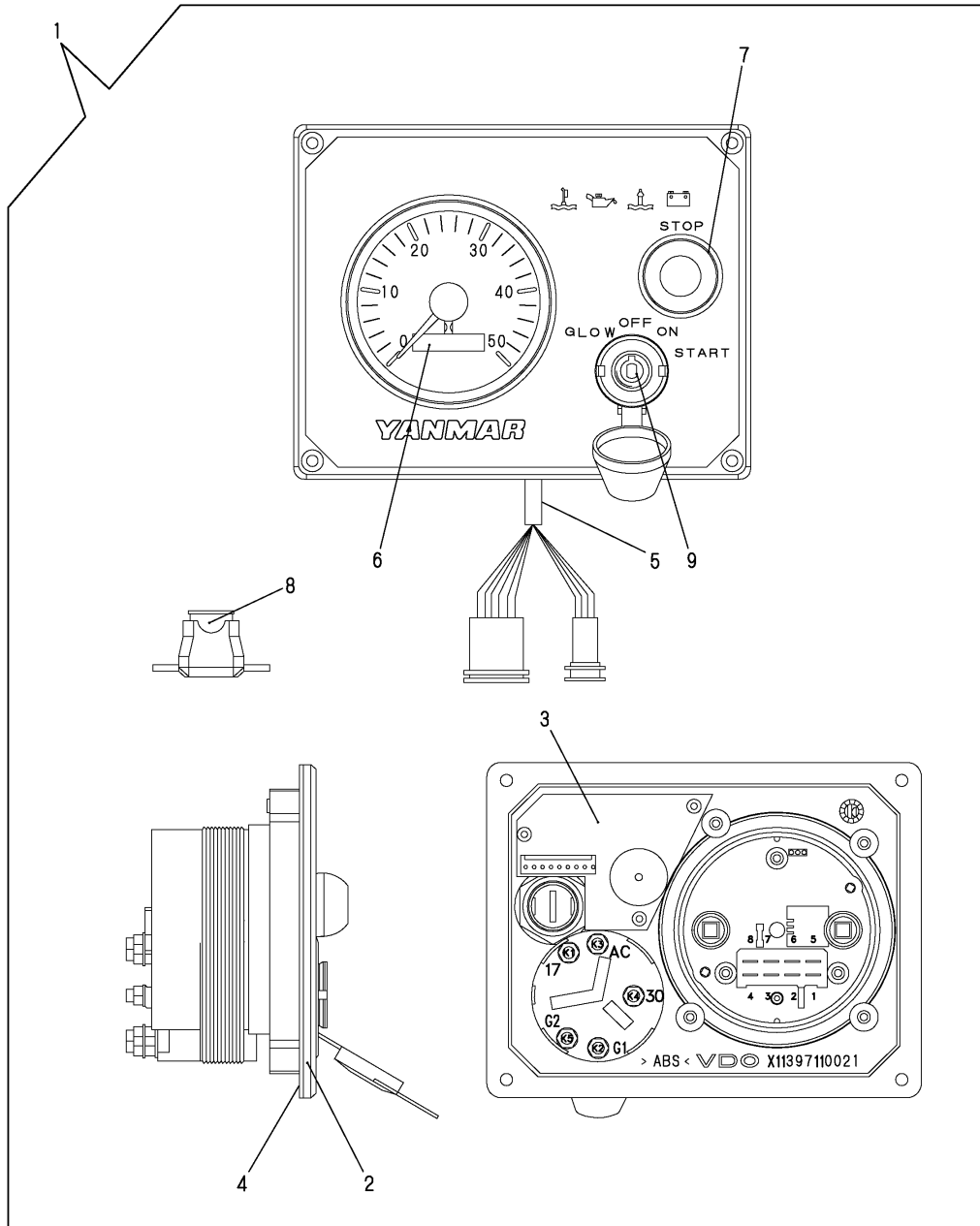
(A)=4JH4E (D)=  
 (B)= (E)=  
 (C)= (F)=

Fig.41.WIRE HARNESS & SENSOR



REF.	LEV.	PARTS NO.	DESCRIPTION	QTY						I R
				(A)	(B)	(C)	(D)	(E)	(F)	
1	1	129670-77910	HARNESS, WIRE	1						
2	1	124770-77940	PROTECTOR	1						
3	1	124070-77950	CLAMP, WIRE	1						
4	1	22137-080000	WASHER 8, POLISHED	1						
5	1	22217-080000	SPRING WASHER 8	1						
6	1	26106-080162	BOLT M 8X 16 PLATED	1						
7	1	105100-55501	GROMMET	2						
8	1	105100-55540	COLLAR, FUEL TANK	2						
9	1	119247-77100	RELAY, SAFETY	1						
10	1	120270-77511	RELAY, MAGNETIC	1						
11	1	129271-77960	BRACKET, RELAY	1						
12	1	22157-080000	WASHER 8	2						
13	1	22217-060000	SPRING WASHER 6	1						
14	1	26106-060082	BOLT M 6X 8 PLATED	1						
15	1	26106-060122	BOLT M 6X 12 PLATED	2						
16	1	26106-080202	BOLT M 8X 20 PLATED	2						
17	1	124060-39452	SENDER,OIL PRESSURE	1						
18	1	120130-91370	SWITCH, THERMO(100C	1						
19	1	129670-39600	DAMPER CMP(R 1/8	1						
20	2	23875-010000	PLUG PT1/8	1						
22	1	23887-180002	PLUG 18	1						
23	1	120270-77101	SWITCH	1						
24	1	129570-77960	HARNESS, WIRE	1						
25	1	129574-77980	HARNESS.	1						
26	1	119773-91850	RELAY	1						
27	1	129574-77710	HARNESS, WIRE(4M)	1						
28	1	129574-77720	HARNESS, WIRE(6M)	1						
29	1	128391-77720	HARNESS, WIRE(6M)	1						
30	1	129574-77740	HARNESS,10M	1						
31	1	119773-91650	SENDA UNIT	1						
32	1	119773-91700	SENDA UNIT	1						
33	1	194250-51660	BAND 250	1						

Fig.42.INSTRUMENT PANEL(B-TYPE/OPTIONAL)

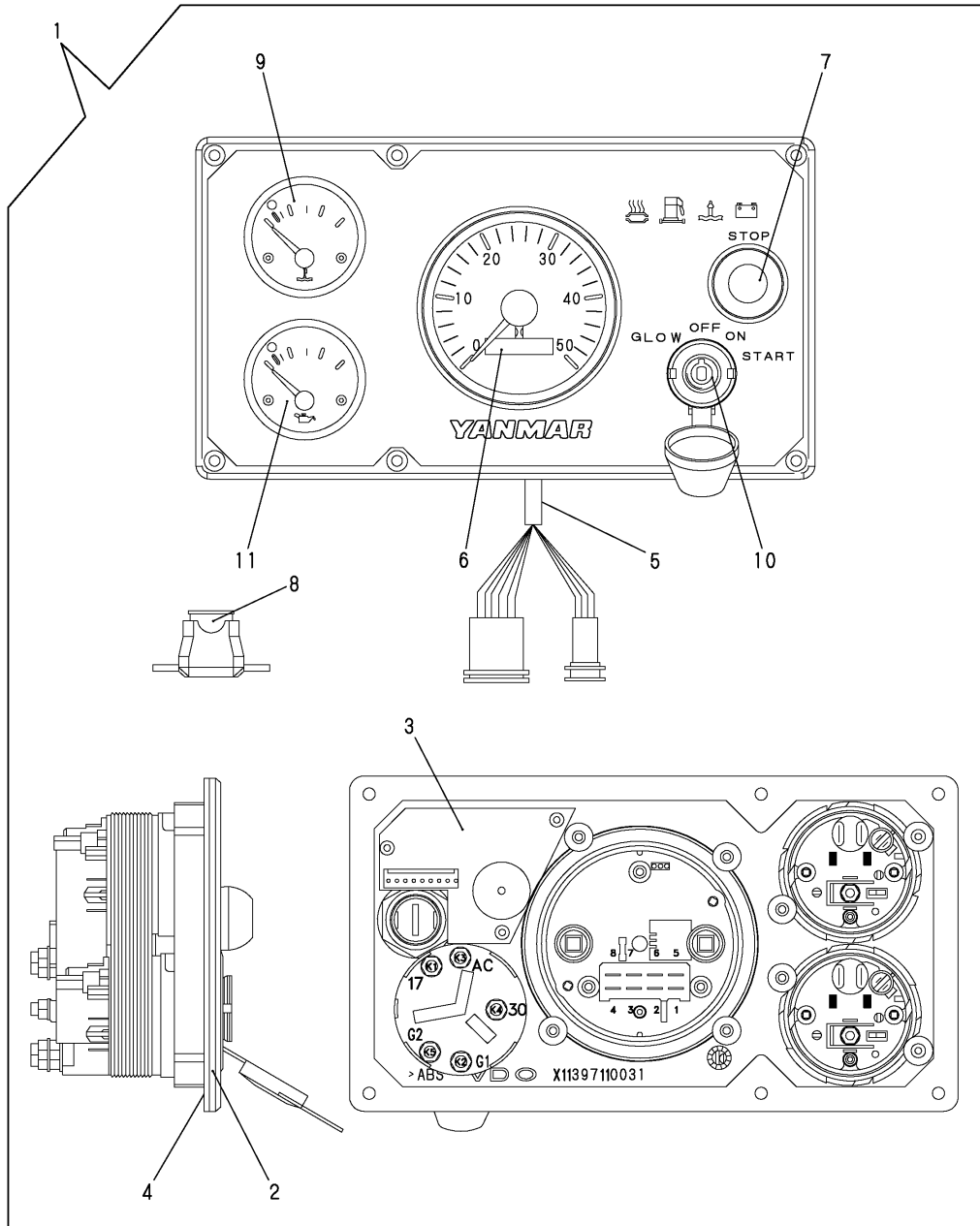


(A)=4JH4E (D)=  
 (B)= (E)=  
 (C)= (F)=

REF.	LEV.	PARTS NO.	DESCRIPTION	QTY						I	R
				(A)	(B)	(C)	(D)	(E)	(F)		
1	1	129271-91110	PANEL, INSTRUMENT B	1							
2	2	129271-91120	PANEL WITH COVERFOIL	1							
3	2	129271-91130	CIRCUIT WITH LED&BZR	1							
4	2	129271-91140	RUBBER SEAL,B PANEL	1							
5	2	129271-91150	HARNES,B PANEL	1							
6	2	129271-91210	TACHOMETER	1							
7	2	129271-91220	STOP SWITCH	1							
8	2	129271-91230	FUSE,PANEL (3A)	1							
9	2	127412-91250	SWITCH W/KEY	1							

Fig.43.INSTRUMENT PANEL(C-TYPE/OPTIONAL)

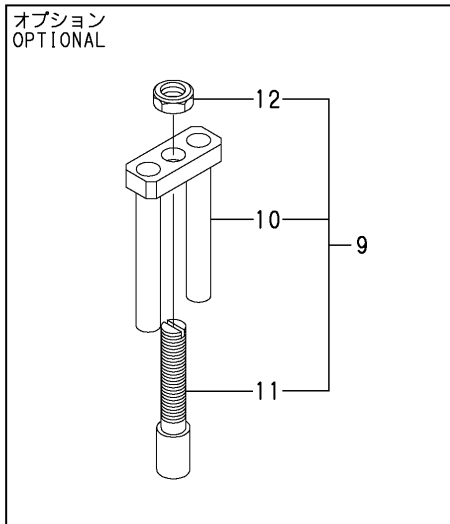
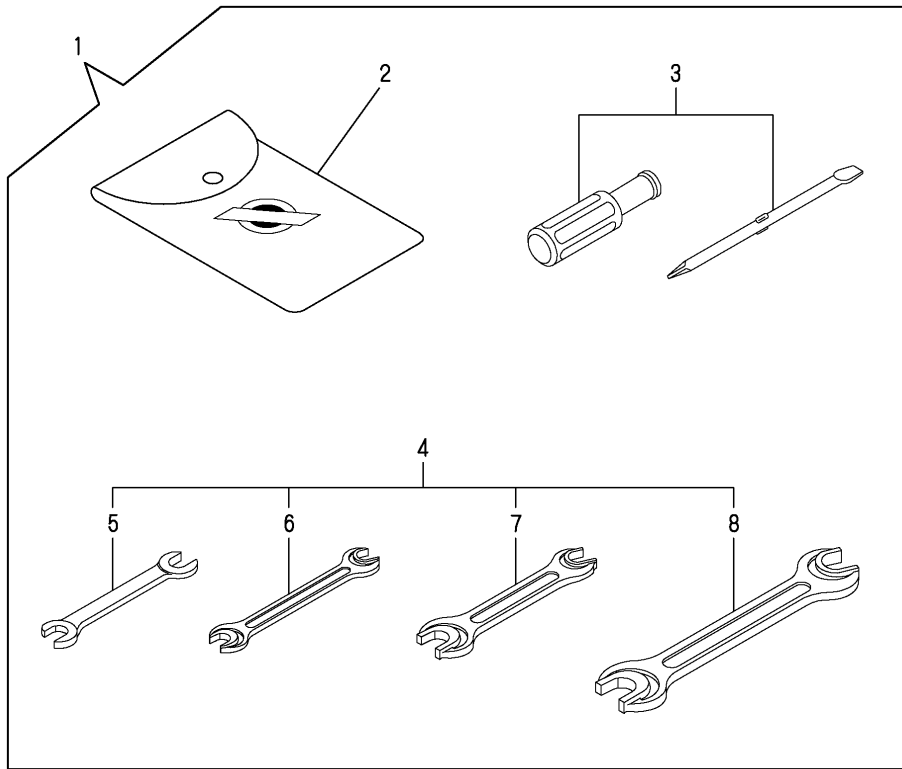
(A)=4JH4E (D)=  
 (B)= (E)=  
 (C)= (F)=



REF.	LEV.	PARTS NO.	DESCRIPTION	QTY						I	R
				(A)	(B)	(C)	(D)	(E)	(F)		
1	1	129271-91160	PANEL, INSTRUMENT C	1							
2	2	129271-91170	PANEL WITH COVERFOIL	1							
3	2	129271-91180	CIRCUIT WITH LED&BZR	1							
4	2	129271-91190	RUBBER SEAL,C PANEL	1							
5	2	129271-91200	HARNES,C PANEL	1							
6	2	129271-91210	TACHOMETER	1							
7	2	129271-91220	STOP SWITCH	1							
8	2	129271-91230	FUSE,PANEL (3A)	1							
9	2	129271-91240	METER,WATER TEMP.	1							
10	2	127412-91250	SWITCH W/KEY	1							
11	2	129271-91250	METER, OIL PRESS.	1							

Fig.44.TOOL

(A)=4JH4E (D)=  
 (B)= (E)=  
 (C)= (F)=



REF.	LEV.	PARTS NO.	DESCRIPTION	----- Q'TY -----						I	R
				(A)	(B)	(C)	(D)	(E)	(F)		
1	1	129270-92100	TOOL BOX SET	1							
2	2	129270-92600	TOOL BAG	1							
3	2	129270-92650	DRIVER	1							
4	2	129270-92690	SPANNER SET	1							
5	3	129270-92610	SPANNER 10X13	1							
6	3	129270-92620	SPANNER 12X14	1							
7	3	129270-92630	SPANNER 17X19	1							
8	3	129270-92640	SPANNER 22X24	1							
9	1	129470-92300	TOOL ASSY.	1							
10	2	129470-92310	RETAINER(A,F.I.VALVE	1							
11	2	129470-92320	RETAINER(B,F.I.VALVE	1							
12	2	26716-120002	NUT 12	1							