



# Spare Parts Catalogue

## G-Snack Plus 8 Master OutDoor [HS8OD]

Revision: **000** Date: 04/06/2015



This pdf Manual has been created on the date indicated.  
The latest version (inter-active) is available on web-site [www.sandenvendo.com](http://www.sandenvendo.com) Client Area.  
Thank you



English Version

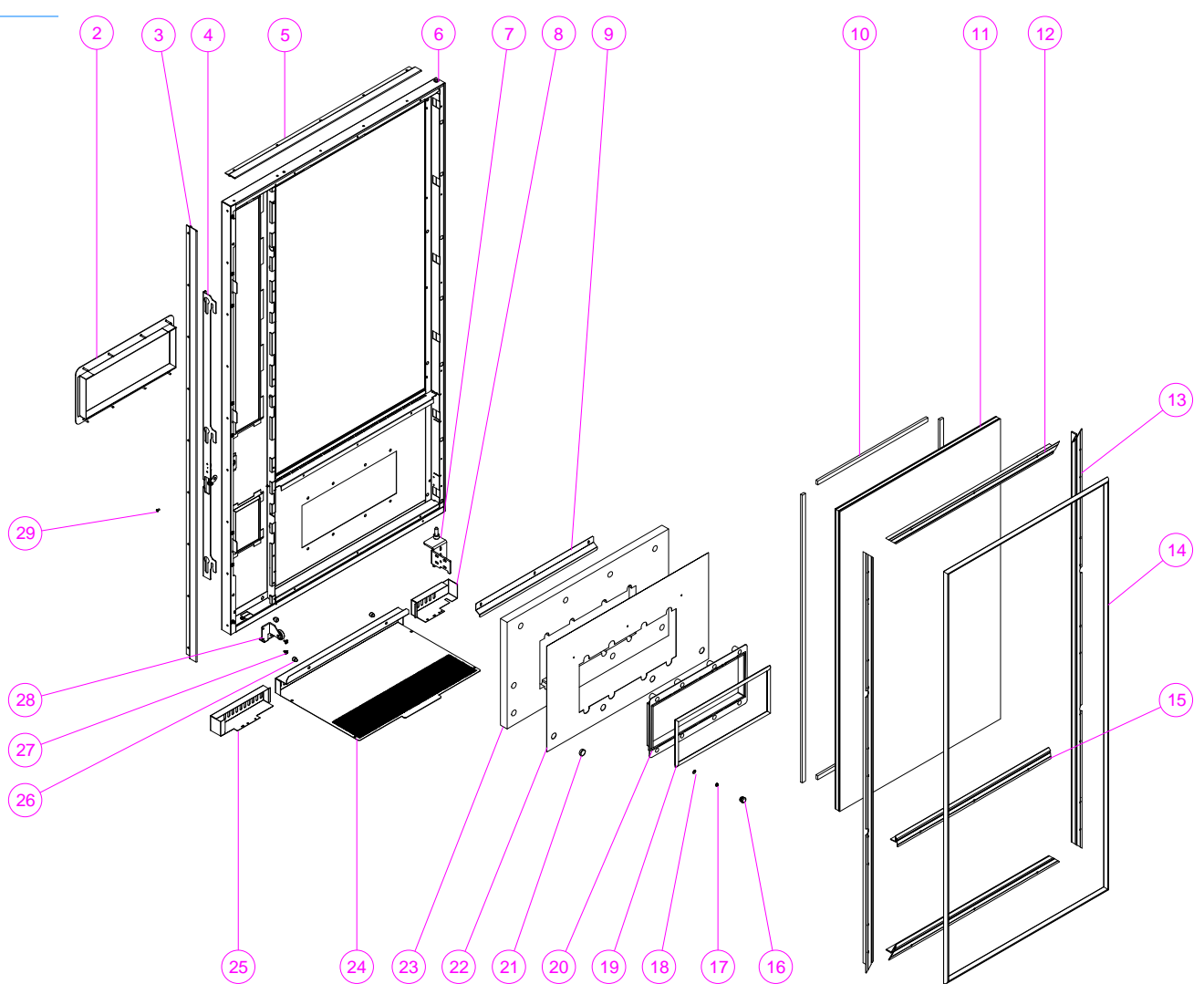
**Vendo**  
SANDEN

SandenVendo Europe S.p.A. - Regione Cavallino,2 - 15030 Coniolo (AL) - Italy

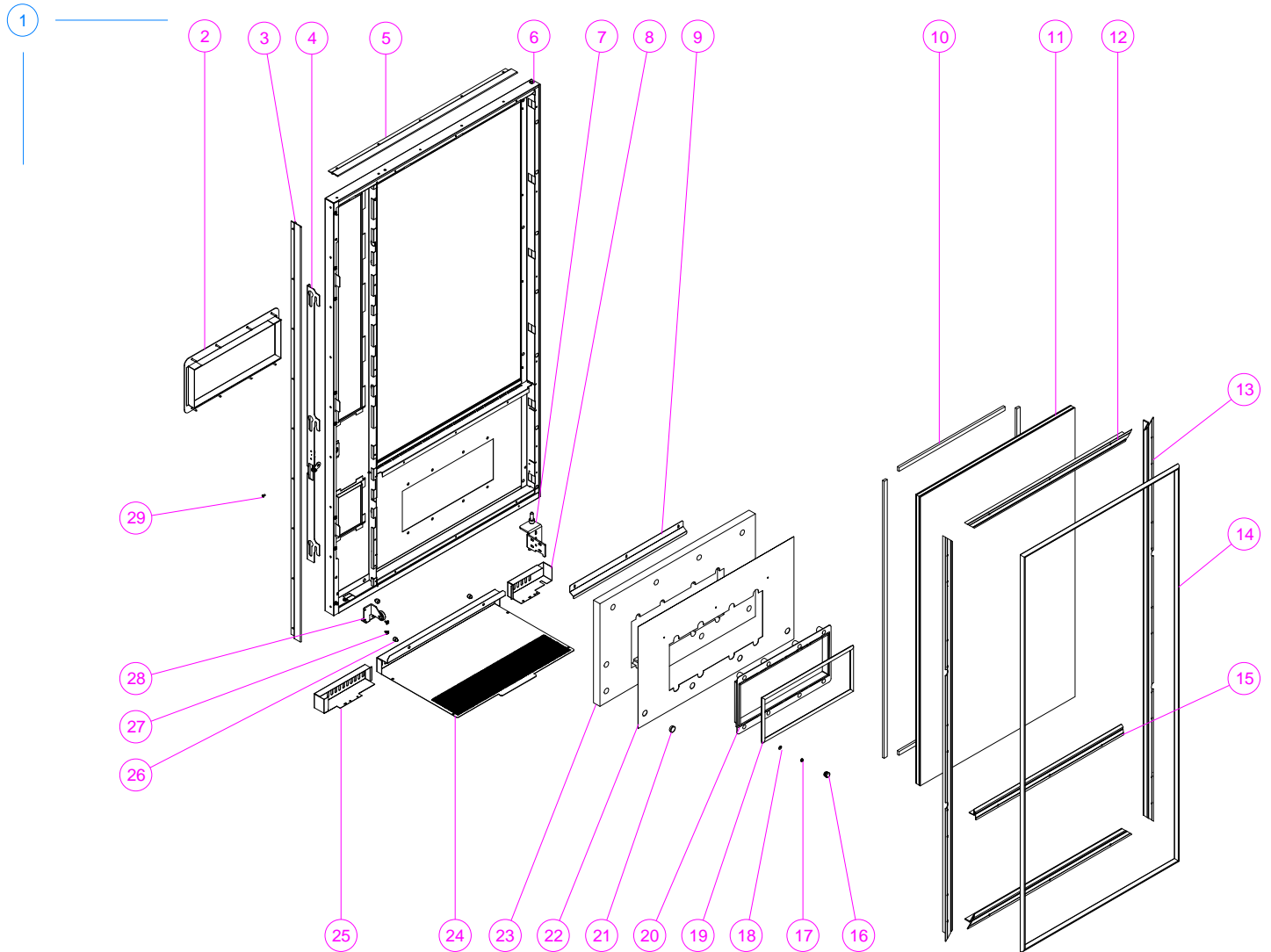
Tel. +39 0142.335119 - Fax +39 0142.562348 - E-mail: [marketing@sandenvendo.it](mailto:marketing@sandenvendo.it) - Web: [www.sandenvendo.com](http://www.sandenvendo.com)

# Index

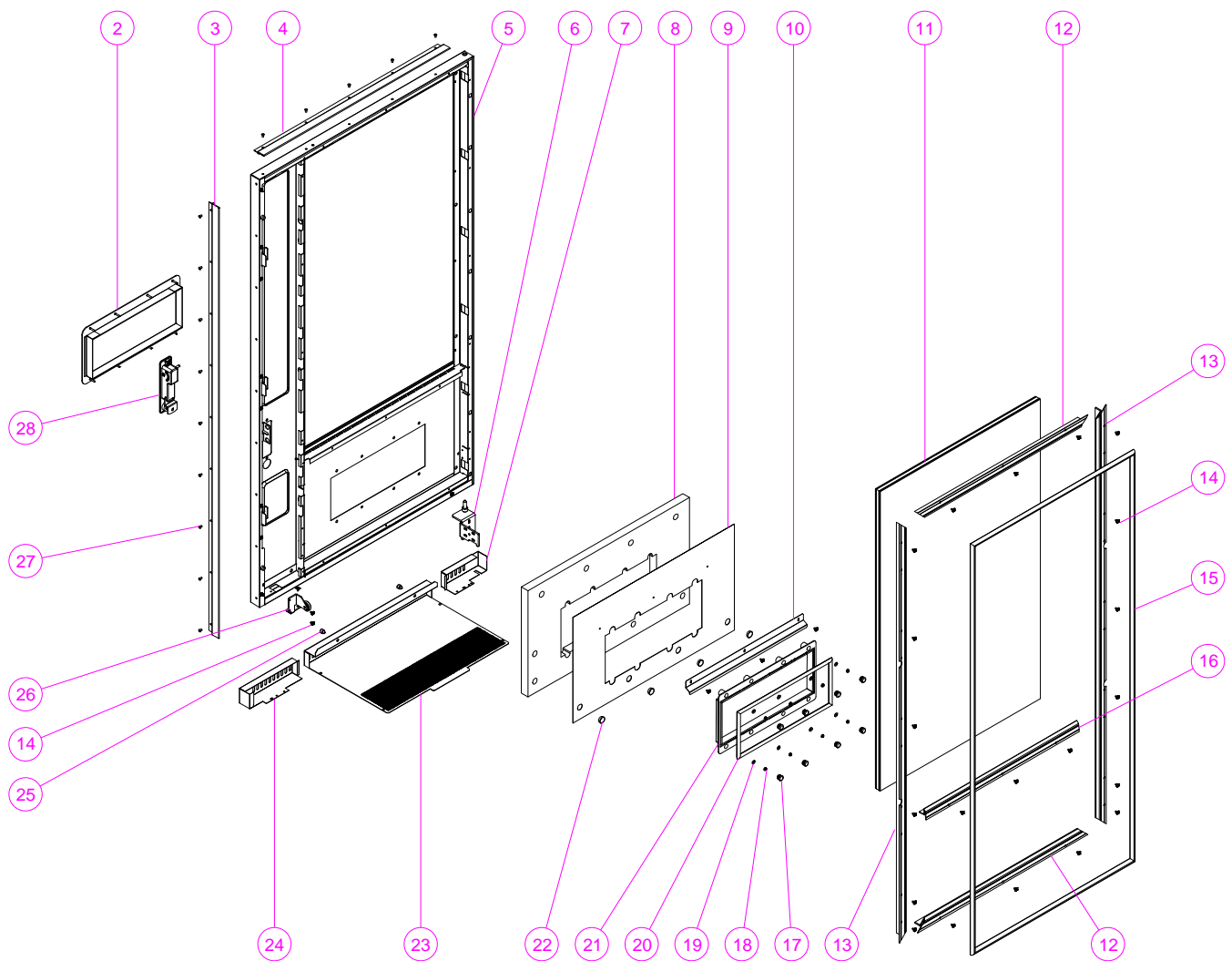
Contents	Page
Door	2 - 3
Door with Handle	4 - 5
Kit Outdoor	6
Lock	7 - 8 - 9
Cabinet	10 - 11
Control Panel Box	12
Control Panels Assy	13 - 14
S.C.I. Control Panel	15
S.C.I. Control Panel	16
Drawer Unit	17 - 18
OutDoor Drawer	19
Delivery Eyelet	20 - 21
Delivery Eyelet Locking kit	22
Tray	23 - 24 - 25
Set-Up Spiral	26
Kit Baguette	27 - 28
Triangle Sandwiches Kit	29 - 30
Tray Kit	31
LED Lighting Assembly	32
Led Elevator Kit	33 - 34 - 35
Led Elevator Kit Old	36 - 37 - 38
Box Transformer	39 - 40 - 41
OutDoor Toroid Box	42
OutDoor Refrigerant Unit	43 - 44
Electrical Diagram	45 - 46
Coin Box	47
Various Kit	48
2nd Various Kit	49
Revision	50



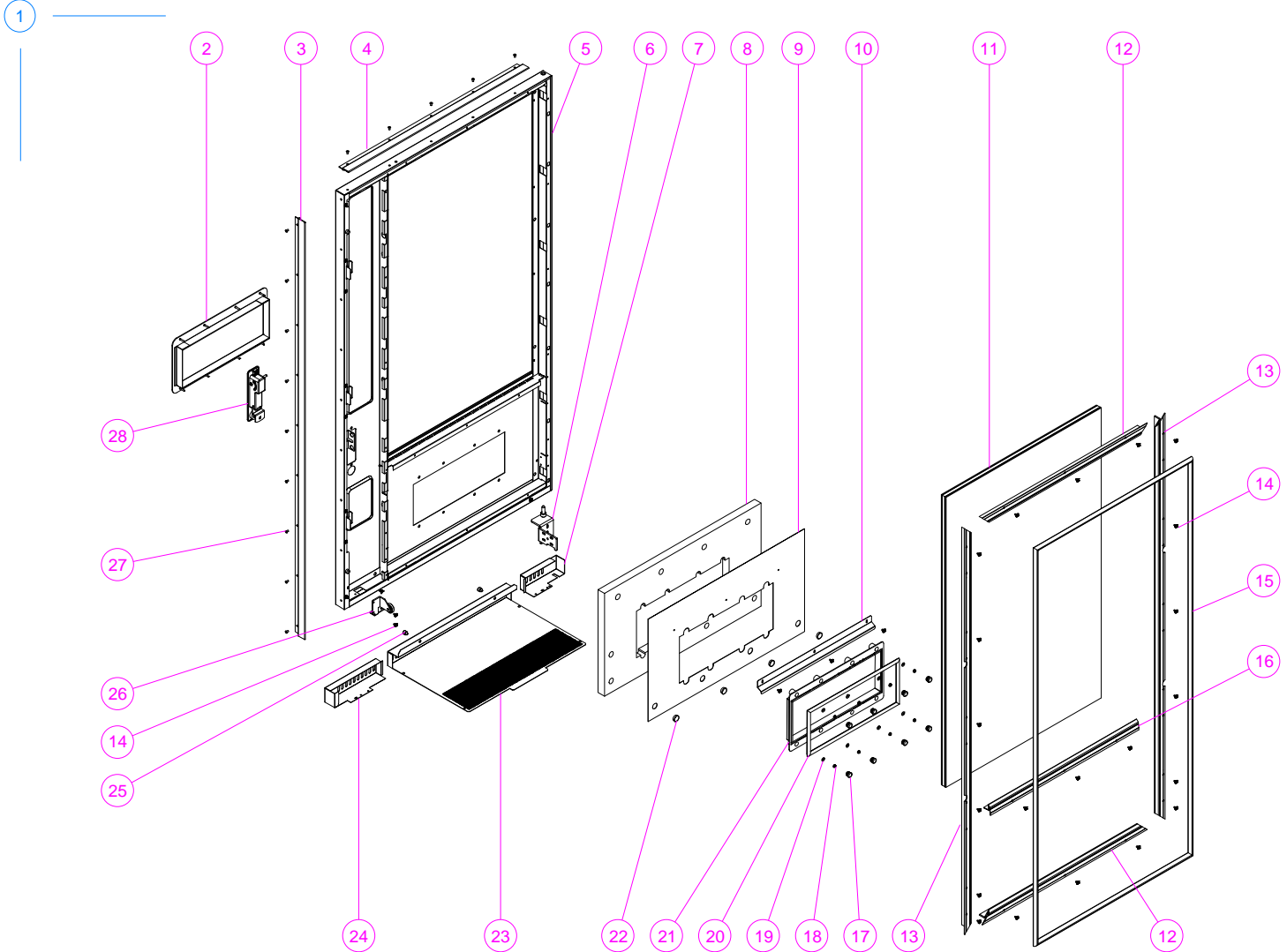
Pos	Code	Description	Serial Number Nota
1	142895/1	HS8 OD FLAT DOOR ASSEMBLY	
2	139535	DELIVERY EYELET TRIM WELD ASSY	
3	405762	RH DOOR PROTECTION	
4		Lock	Pag. 7 - 8 - 9
5	405763	DOOR PROTECTION TOP	
6	142896	FLAT DOOR WELD ASSY	
7	140266	LOWER HINGE WELD ASSY	
8	411292	LOWER CARTER LH	
9	406410	PRODUCT CHUTE	
10	405798/1	ADHESIVE RUBBER SPONGE 15X15	in meters
11	405796/7	GLASS 1157X715X22 HS8 HEATED	
12	404124/1	UPPER - LOWER GASKET PROFILE	
13	404124/14	LATERAL GASKET PROFILE	
14	401243/25	INNER DOOR GASKET	
15	404124/3	GLASS BOTTOM GASKET FRAME	
16	403371	PLUG	
17	398224/1	NUT, FLANGED 4MA MILLED	
18	381240	WASHER 4X12X1	
19	403589	DELIVERY EYELET RUBBER PACKING	
20	403598	INNER TRIM	
21	402735	PLUG Ø20,6	



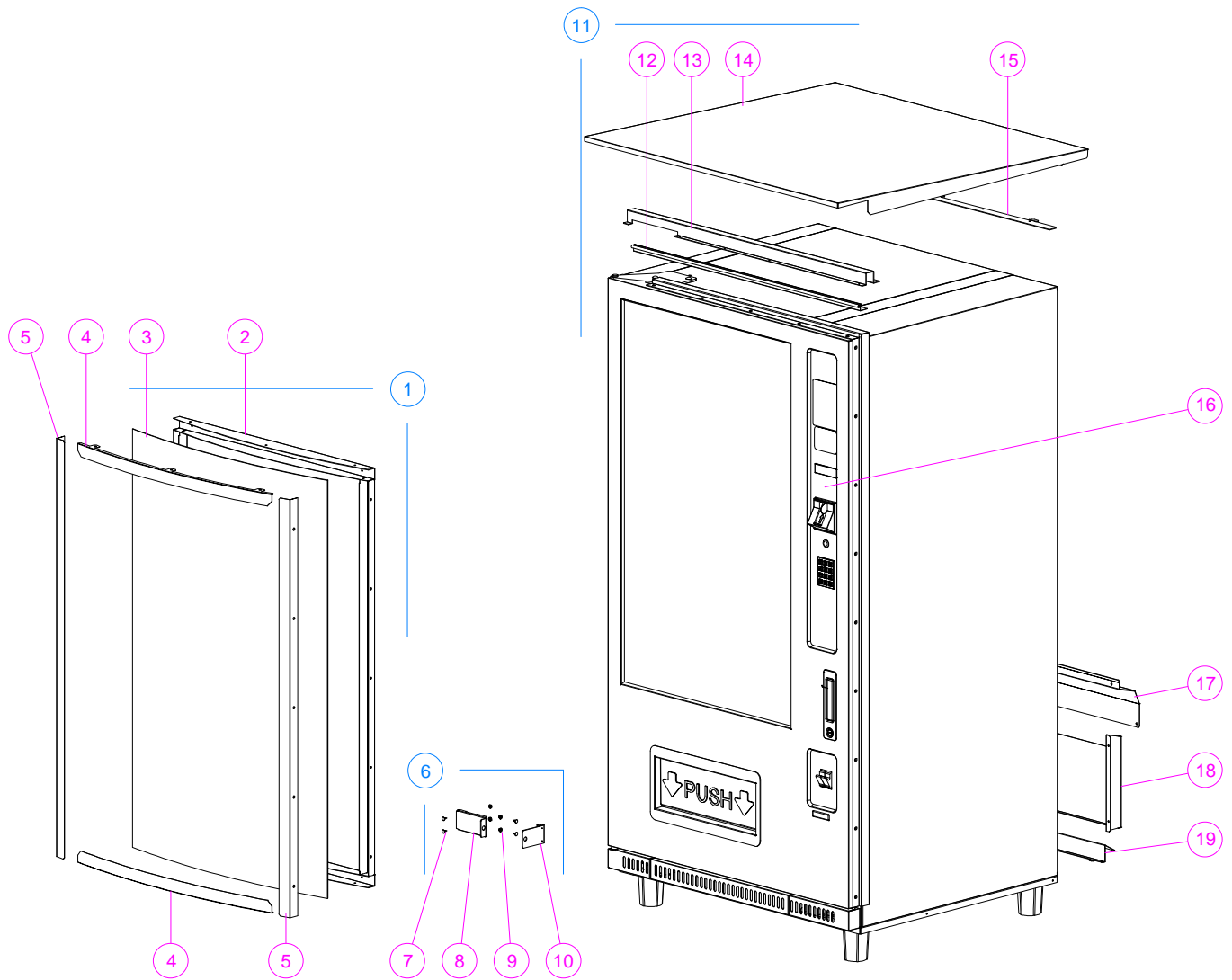
Pos	Code	Description	Serial Number Nota
22	411096	DELIVERY EYELET REAR PANEL	
23	411097	INSULATION PANEL	
24	143014	GRIDTRIM AIR PLUG WELD ASSY	
25	411293	LOWER CARTER RH	
26	394693	ANTI-SHOCK RUBBER 15/615	
27	V800570	SCREW T1+4,8X9,5 S.POINT	
28	140312	DOOR LIFT WHEEL ASSY	
29	390559	POP RIVET	



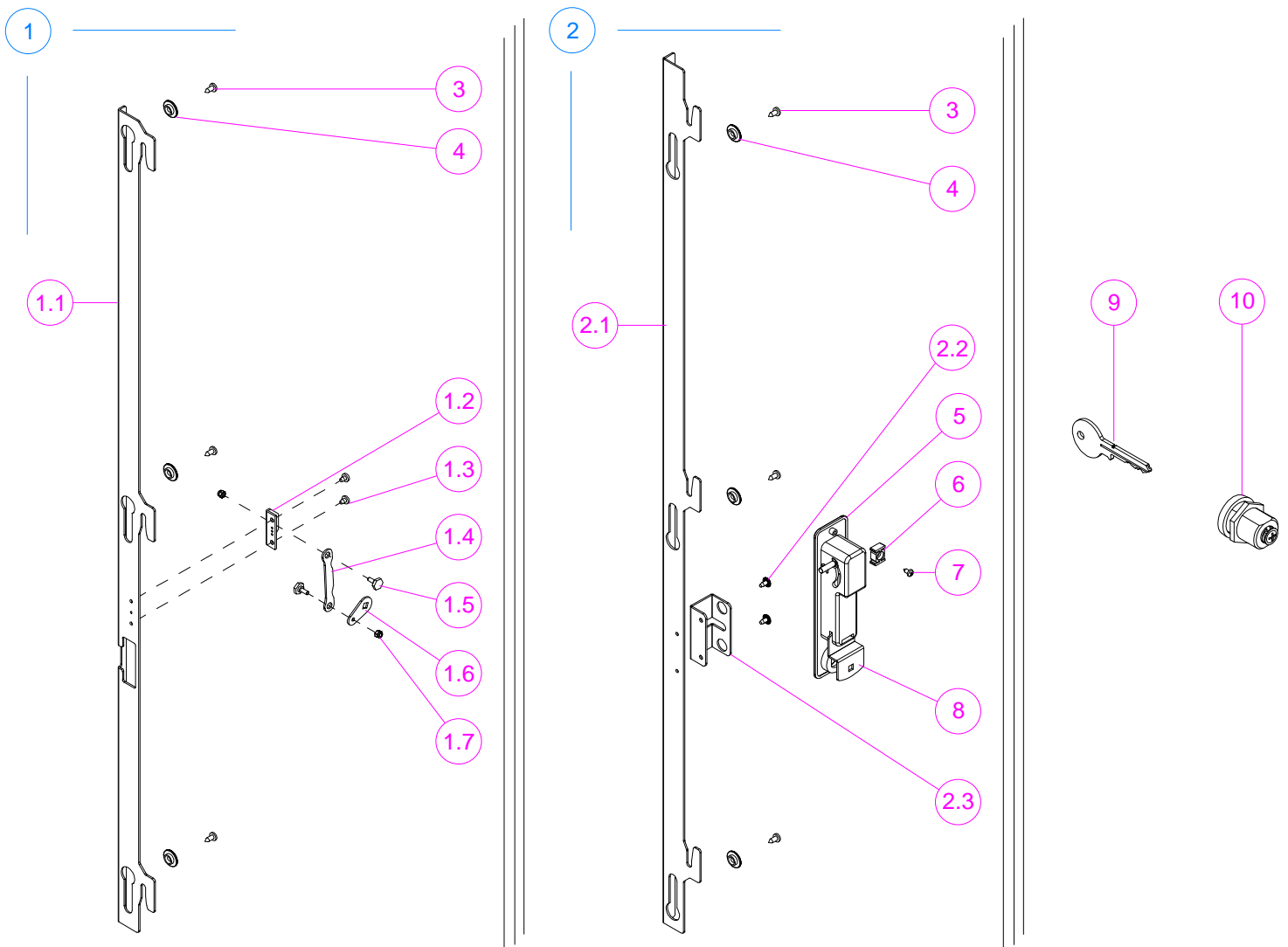
Pos	Code	Description	Serial Number Nota
1	144001	HS8 OD FLAT DOOR WITH HANDLE ASSEMBLY	
2	139535	DELIVERY EYELET TRIM WELD ASSY	
3	405762	RH DOOR PROTECTION	
4	405763	DOOR PROTECTION TOP	
5	144198	HS8 PADDED DOOR WITH HANDLE WELD ASSY	-
6	140266	LOWER HINGE WELD ASSY	
7	411292	LOWER CARTER LH	
8	411097	INSULATION PANEL	
9	411096	DELIVERY EYELET REAR PANEL	->
10	406410	PRODUCT CHUTE	
11	405796/7	GLASS 1157X715X22 HS8 HEATED	
12	404124/1	UPPER - LOWER GASKET PROFILE	
13	404124/14	LATERAL GASKET PROFILE	
14	V800570	SCREW T1+4,8X9,5 S.POINT	
15	401243/25	INNER DOOR GASKET	
16	404124/3	GLASS BOTTOM GASKET FRAME	
17	403371	PLUG	
18	398224/1	NUT, FLANGED 4MA MILLED	
19	381240	WASHER 4X12X1	
20	403589	DELIVERY EYELET RUBBER PACKING	
21	403598	INNER TRIM	



Pos	Code	Description	Serial Number Nota
22	402735	PLUG Ø20,6	
23	143014	GRIDTRIM AIR PLUG WELD ASSY	
24	411293	LOWER CARTER RH	
25	394693	ANTI-SHOCK RUBBER 15/615	
26	140312	DOOR LIFT WHEEL ASSY	
27	390559	POP RIVET	
28		Lock	Pag. 7 - 8 - 9

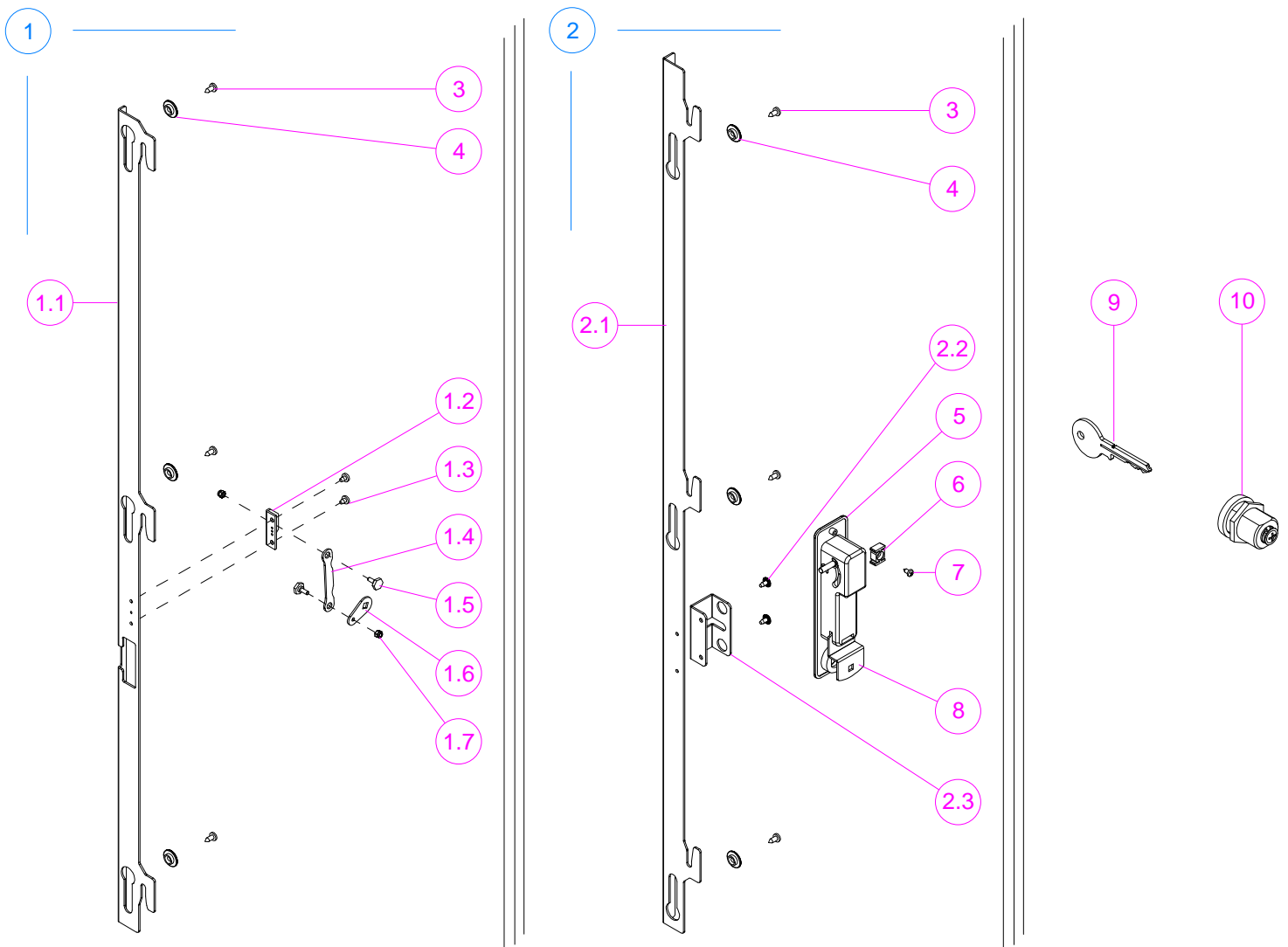


Pos	Code	Description	Serial Number Nota
1	140996	PROTECTION TRIM DOOR GLASS	
2	140995	PROTECTION TRIM WELD ASSY	
3	407490	FRONT PANEL	
4	407491	UPPER - LOWER TRIM	
5	407489	RH - LH LATERAL SECTION	
6	141280	ANTIVANDALISM LOCK KIT	
6	141280/1	ANTIVANDALISM LOCK FOR HANDLE KIT	
7	375973/4	SCREW TTQST 5Mx20	
8	141276	COVER LOCK WELD ASSY	
8	144010	COVER HANDLE LOCK ASSY	
9	398224/2	NUT M5	
10	408025	REINFORCED SIDE DOOR	
11	144000	KIT OUTDOOR HS8	
12	398751/2	GASKET	
13	412788	UPPER REINFORCEMENT	
14	143938	ASSY COVER OUTDOOR WELD	
15	412790	REAR HOOK	
16		OutDoor Drawer	Pag. 19
17	412828	REAR CHANNER COVER	
18	412826	REAR CHANNER	
19	412827	REAR PROTECTION REFRIGERANT SYSTEM	

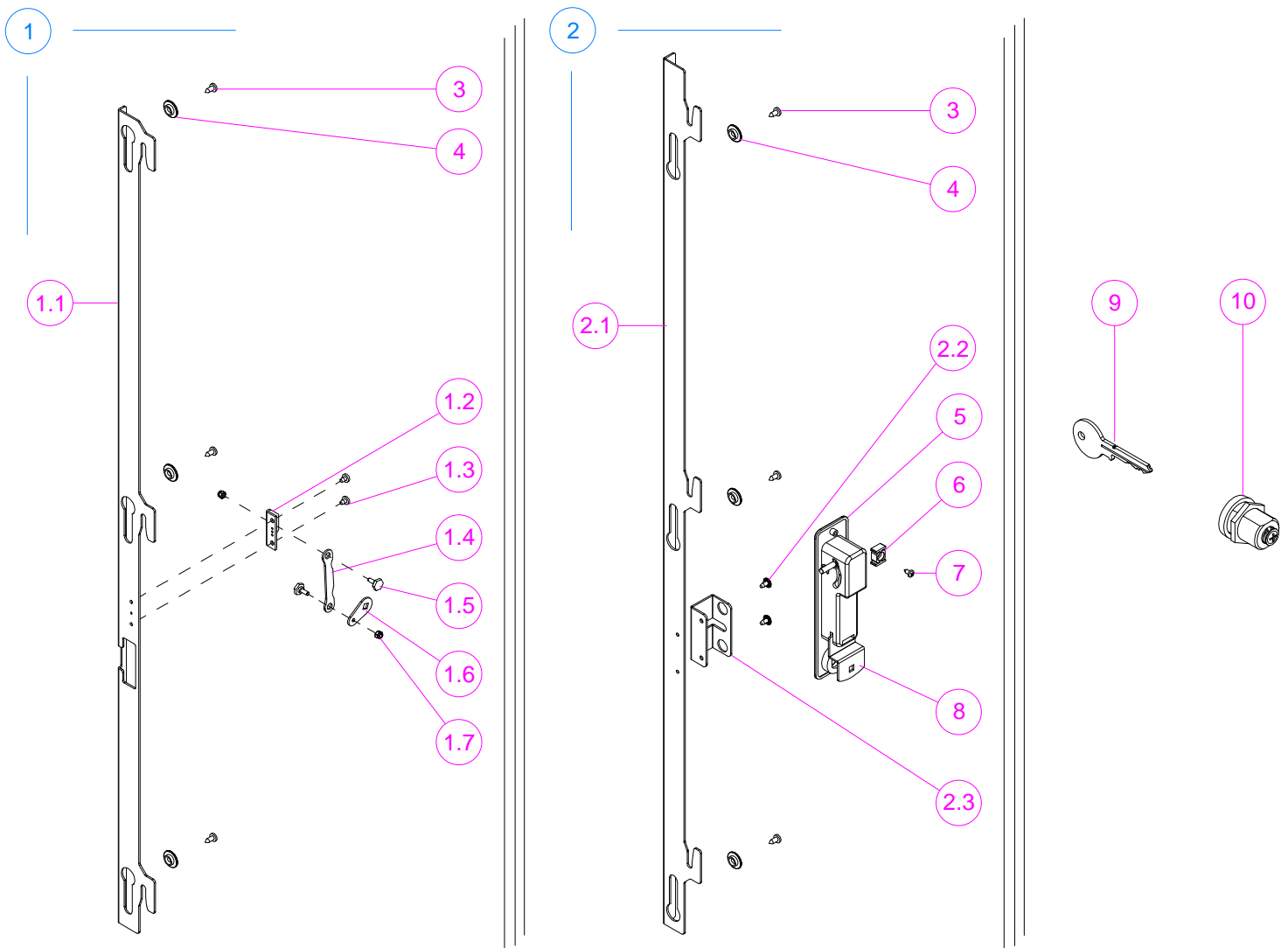


Pos	Code	Description	Serial Number Nota
1	140378/1	SLIDE ROD ASSY	
1.1	405658	LOCK SLIDE ROD	
1.2	405906	SLIDE ROD BRACKET	
1.3	V800569	SCREW TC+ 4,8x6,5	
1.4	405905	LOCK CONNECTING ROD	
1.5	405908	PIN, LOCK LEVER	
1.6	405904	LOCK LEVER	
1.7	390058/1	SELF STOPPING NUT 4MA HIGH	
2	143940	SLIDE ROD ASSY	
2.1	412802	LOCK SLIDE ROD	
2.2	V800569	SCREW TC+ 4,8x6,5	
2.3	412803	SLIDE ROD ACTUATOR	
3	V800622	TAPPING SCREW	
4	405868	BUSHING	
5	143650	CLOSURE DOOR ASSY	
6	412476/1	SINGLE FIXING SUPPORT	Included in the p/n 143650
7	V800611	SCREW 4,2x9,5	Included in the p/n 143650
8	412273	LOCK LEVER	Included in the p/n 143650
9	398315/12	KEY VANAMATIC CC KAZAN	Only with p/n 408707/7
9	399356	KEY MASTER CC SWISS ORANGE	Only with p/n 408707/1
9	408306	SILVER KEY AJSAND VENDO	Only with p/n 408305

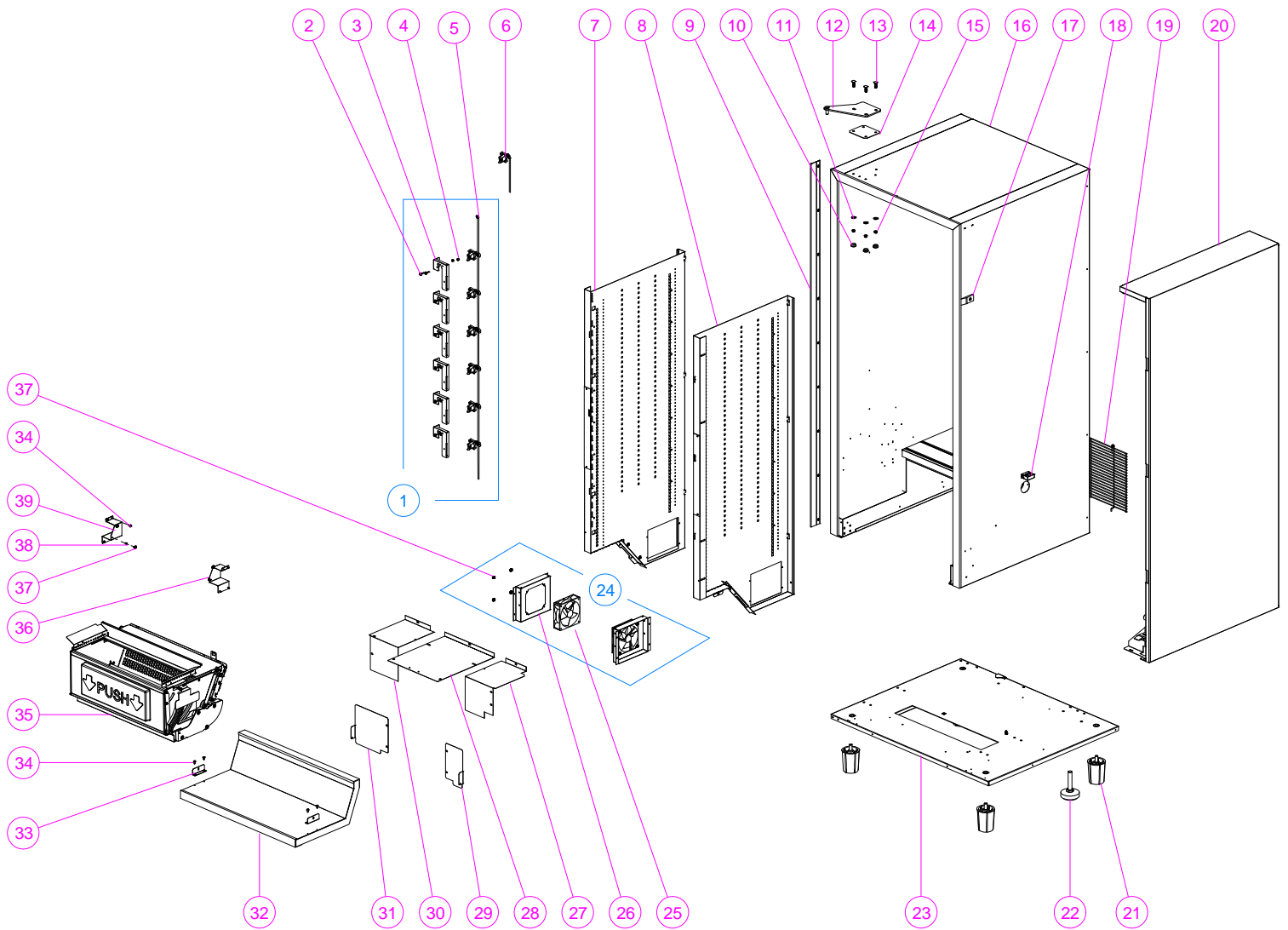




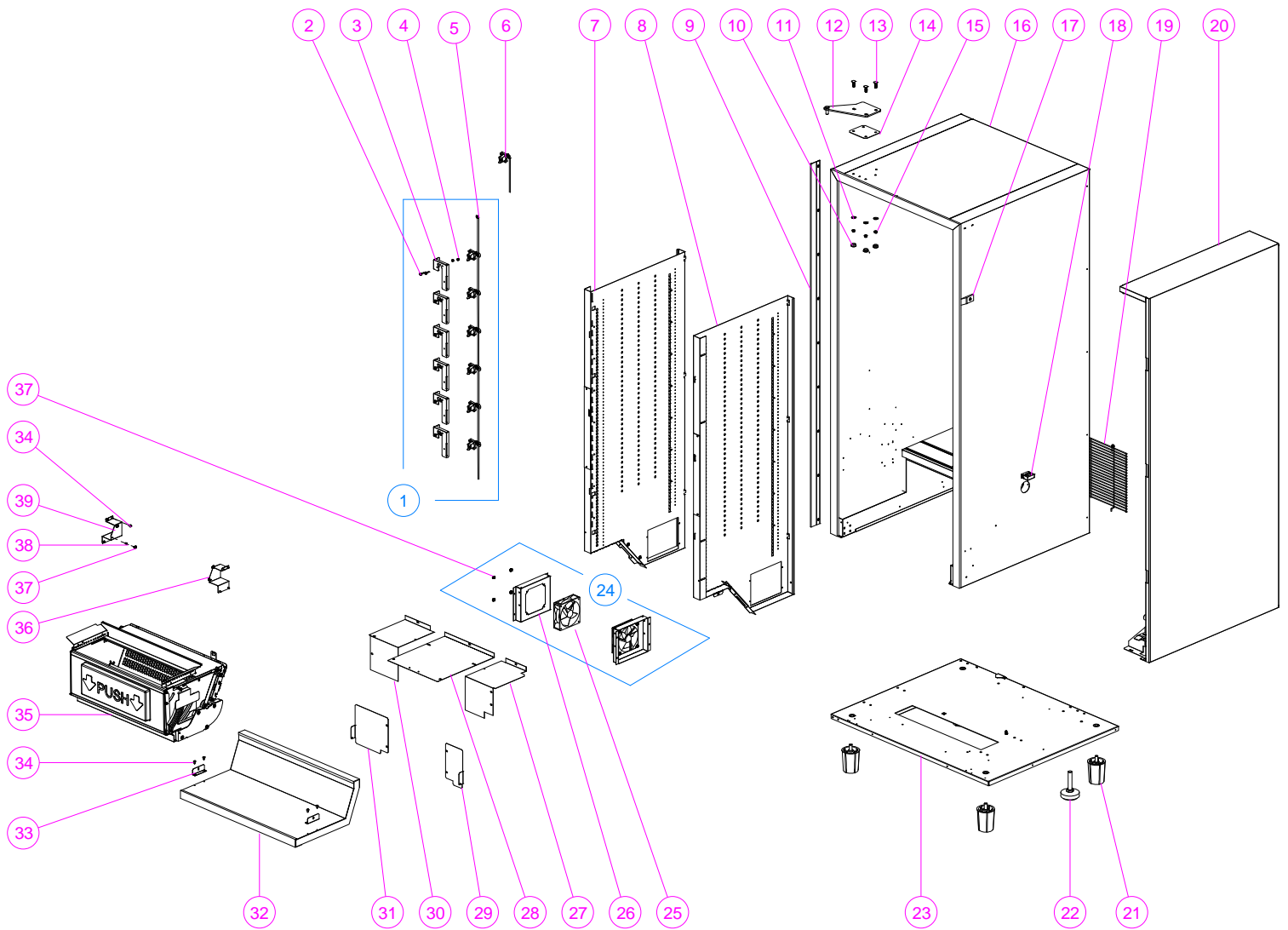
Pos	Code	Description	Serial Number Nota
9	408306/1	SILVER KEY AJ905H CC GERM	Only with p/n 408305
9	408307	GOLD KEY AJSAND VENDO	Only with p/n 408305
9	408708/4	KEY CC SVIZZERA BIANCA E1	Only with p/n 408707/2
9	408708/5	KEY CC SVIZZERA ROSSA W1	Only with p/n 408707/3
9	408708/6	KEY CC SVIZZERA VERDE C1	Only with p/n 408707/4
9	408708/7	KEY K5 REPUBLIC TURCHIA	Only with p/n 408707/5
9	408708/9	KEY K5M1 CC SVIZ.NATION.ARANC.	Only with p/n 408707/6
9	412921	DOORLOCK VENDARE	Only with p/n 413039
10	405799	UNIVERSAL LOCK	
10	405799/1	LOCK G10B5KA1000CIFR.2002	
10	405799/2	LOCKG10B5KA1000CIF.20014	
10	405799/4	LOCK G10B5KD CIFR.DIVERSA	
10	405799/10	LOCK G10B4KA CIF.PC DUBAI	
10	405799/11	LOCK G10B4KA CIF.PC DUBAI	
10	408305	LOCK	Only with p/n 408306, 408306/1, 408307
10	408707	LOCKLC90L BCA CC SERBIA	
10	408707/1	LOCK LC90L CC SWITZ.BLACK	Only with p/n 399356
10	408707/2	LOCK LC90LV CC SVIZZERA E	Only with p/n 408708/4
10	408707/3	LOCK LC90LV CC SVIZZERA W	Only with p/n 408708/5
10	408707/4	LOCK LC90LV CC SVIZZERA C	Only with p/n 408708/6
10	408707/5	LOCK LC90 REPUBLIC TURCHIA	Only with p/n 408708/7



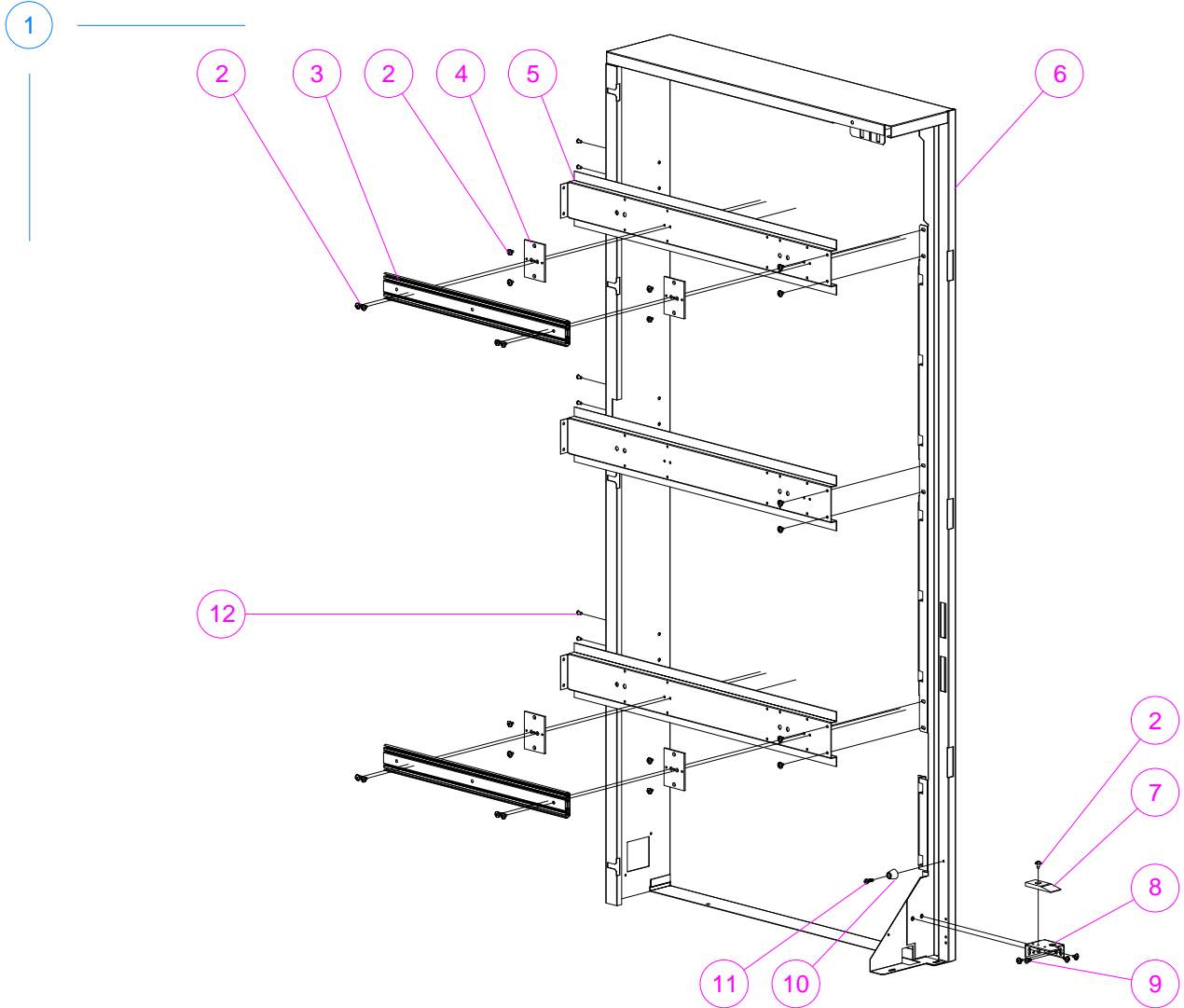
Pos	Code	Description	Serial Number Nota
10	408707/6	LOCK LC90LM1 CC SWISS NATIONAL	Only with p/n 408708/9
10	408707/7	LOCK CC KAZAN	Only with p/n 398315/12
10	413039	LOCK RPA11-0000 VENDARE	Only with p/n 412921
10	141529	LOCK STS 862006002623 "K"	
10	141529/1	LOCK STS 862006001623 "P"	
10	141530/1	LOCK STS 862006004623 "P"	



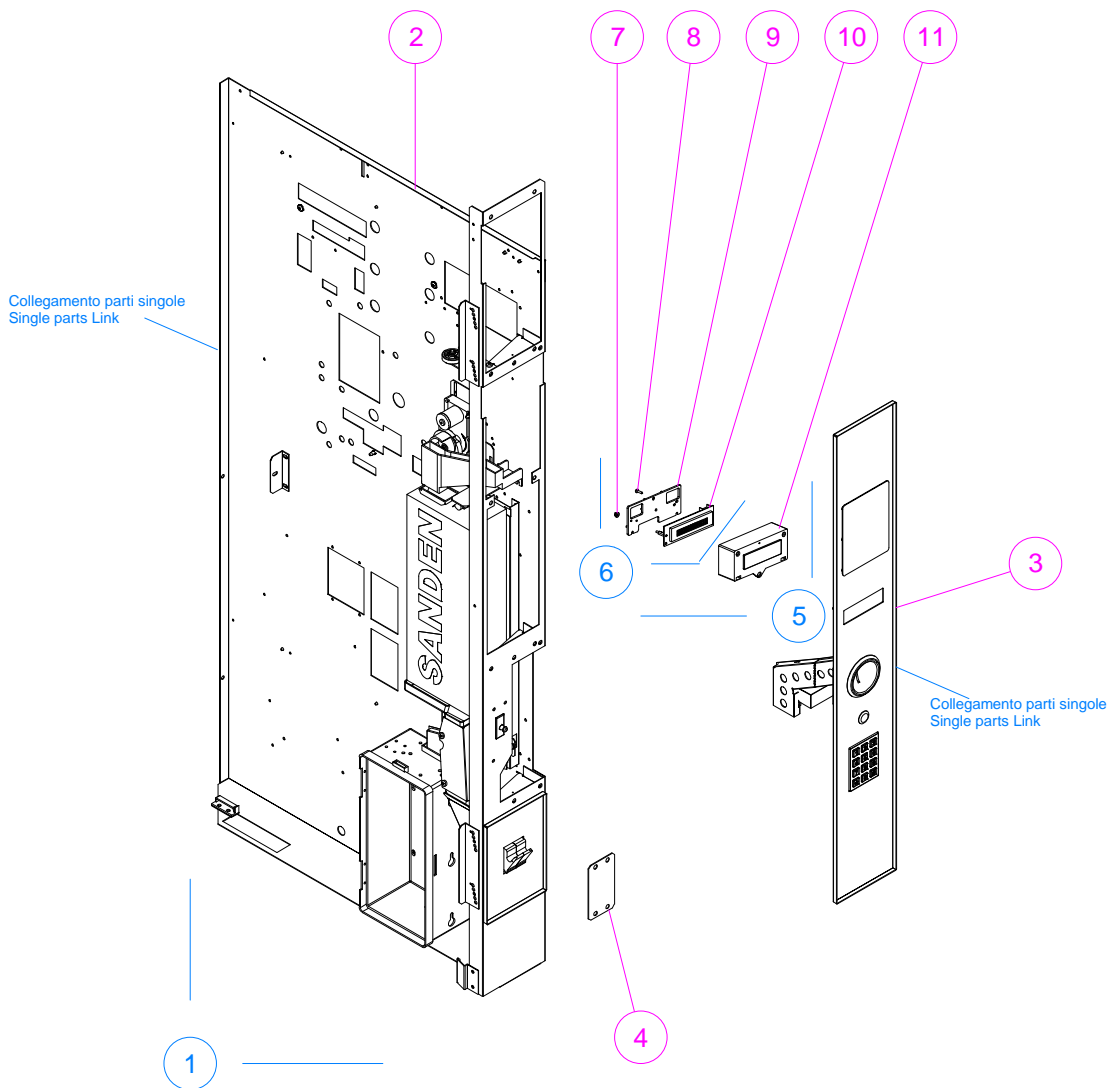
Pos	Code	Description	Serial Number Nota
1	140124/4	REAR RAIL SUPPORT ASSY	
2	400671	SCREW	
3	406404	CONNECTOR SUPPORT	
4	390058/1	SELF STOPPING NUT 4MA HIGH	
5	140670	SN64 / DRAWERS HARNESS	
6	141425	7°DRAWER HARNESS	
7	143811/1	LH AIR CHANNEL ASSY	-
8	143811	RH AIR CHANNEL ASSY	-
9	408131	LH DOOR PROTECTION	
10	402735	PLUG Ø20,6	
11	38148	FLAT WASHER 6X18X1.5	
12	141232	UPPER HINGE WELDED ASSY	
13	386237/2	SCREW TTQST 6MAX25	
14	407968	UPPER HINGE SHIM	
15	398224/3	NUT, FLANGED 6MA MILLED	
16	139971/5	FOAMED CABINET	
17	396124	PLASTIC CHUTE	
18	394529	CABLE FIX OBO Ø18-30	
19	398540/1	BACK PROTECTION	
20		Control Panel Box	
21	403897	LEVELLING SCREW M12 (BIG FOOT)	



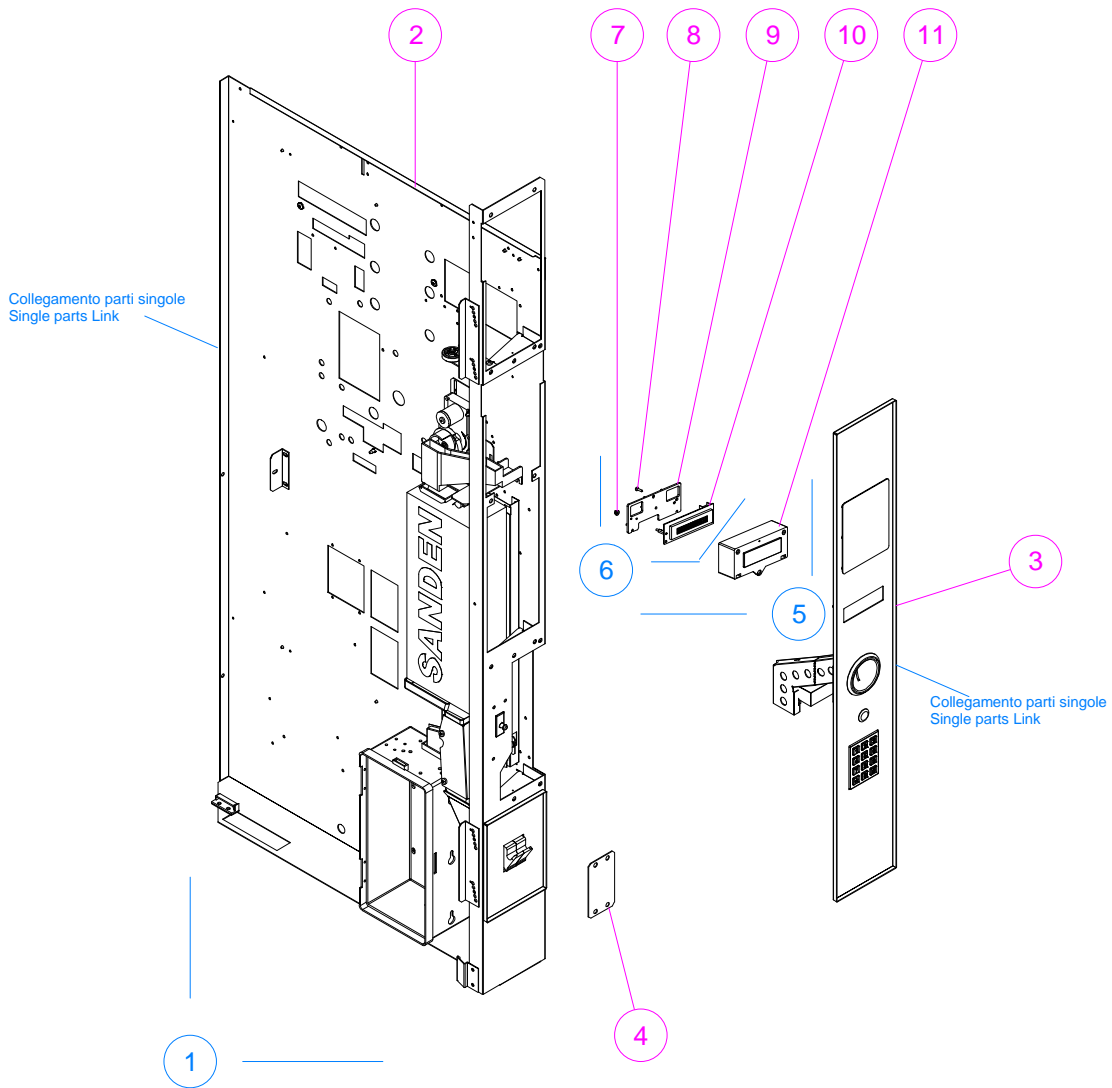
Pos	Code	Description	Serial Number Nota
22	386804	LEVELLING SCREW	
23	142903	CABINET BASE ASSY	
24	142901	EVAPORATOR FAN MOTOR ASSY	
25	392137	EVAPORATORE FAN MOTOR	
26	411099	3°REFRIGERANT SYSTEM FAN MOTOR SUPPORT	
27	411103	RH TOP EVAPORATOR COVER	
28	407517	EVAPORATOR UPPER CENTRAL COVER	
29	411111	RH COVER REFRIGERANT SYSTEM	
30	411102	LH TOP EVAPORATOR COVER	
31	411110	LH COVER REFRIGERANT SYSTEM	
32	142899	INNER CABINET BASE	
33	406623	ELEVATOR FASTENER	
34	V800622	TAPPING SCREW	
35		Delivery Eyelet	Pag. 20 - 21
36	412608/1	DELIVERY EYELET SUPPORT LH	-
37	V800570	SCREW T1+4,8X9,5 S.POINT	
38	386067/1	SPACER IRON 5x7x12.5	
39	412608	DELIVERY EYELET SUPPORT RH	-



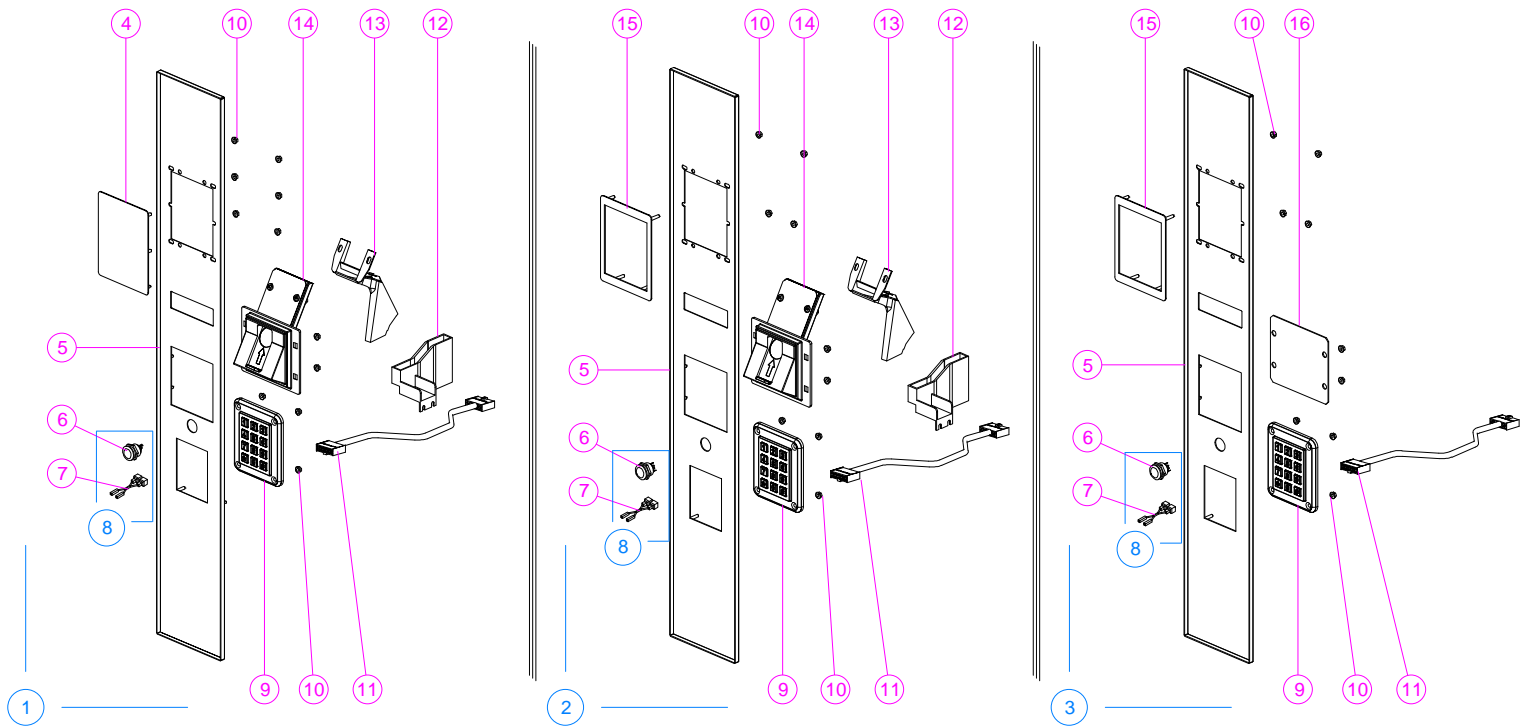
Pos	Code	Description	Serial Number Nota
1	141239	CONTROL PANEL BOX ASSEMBLING	
2	V800570	SCREW T1+4,8X9,5 S.POINT	
3	408213	SLIDE-WAY	
4	405726	SLIDE-WAY DRAWER SHIM	
5	407981	HORIZONTAL INNER REINFORCE	
6	141238	CONTROL PANEL SUPPORT WELD ASSY	
7	396124	PLASTIC CHUTE	
8	405775	DOOR LIFT SUPPORT	
9	390139	SCREW	
10	408808	RUBBER SPACER	
11	V800874	SCREW T1+4,8X16 S.POINT	
12	390559	POP RIVET	



Pos	Code	Description	Serial Number	Nota
1	140973	ASSEMBLY, DRAWER + CONTROL PANEL SCI-PLUG		
1	141272	ASSEMBLY, DRAWER+AGEREADER CONTROL PANEL SCI-PLUGS		
1	141490	ASSEMBLY, DRAWER + CONTROL PANEL LARGE SCI-PLUG		
1	141587	ASSY, DRAWER + CONTROL PANEL COIN INSERT PLUG-COLLAR		
1	141626	ASSEMBLY, DRAWER+AGEREADER CONTROL PANEL SCI-COLLAR		
1	140973/1	ASSEMBLY, DRAWER + CONTROL PANEL SCI-PLUG		
1	144211	ASSEMBLY, DRAWER + CONTROL PANEL SCI-2 PLUG		
2	141235	DRAWER ASSEMBLY		
3	141010	ASSEMBLY CONTROL PANEL SCI - PLUG		Only with p/n 140973
3	141269	ASSEMBLY AGEREADER CONTROL PANEL SCI - PLUGS		Only with p/n 141272
3	141010/1	ASSEMBLY CONTROL PANEL LARGE SCI - PLUG		Only with p/n 141490
3	141588	ASSEMBLY CONTROL PANEL W/O COIN INSERT-COLLAR		Only with p/n 141587
3	141627	ASSEMBLY AGE READER CONTROL PANEL SCI-COLLAR		Only with p/n 141626
3	141010/2	ASSEMBLY CONTROL PANEL SCI-COLLAR		Only with p/n 140973/1
3	144209	ASSEMBLY CONTROL PANEL SCI - 2 PLUG	->	Only with p/n 144211
4	408191	COIN RETURN COVER		Only with p/n 141587
5	137263/8	FLUORESCENT DISPLAY ASSY		Not included in the assembly
6	137265/3	FLUORESCENT DISPLAY ASSY		
7	398224	NUT, FLANGED 3MA MILLED		
8	381603	SCREW 2,9x13		
9	397502	DISPLAY SUPPORT		

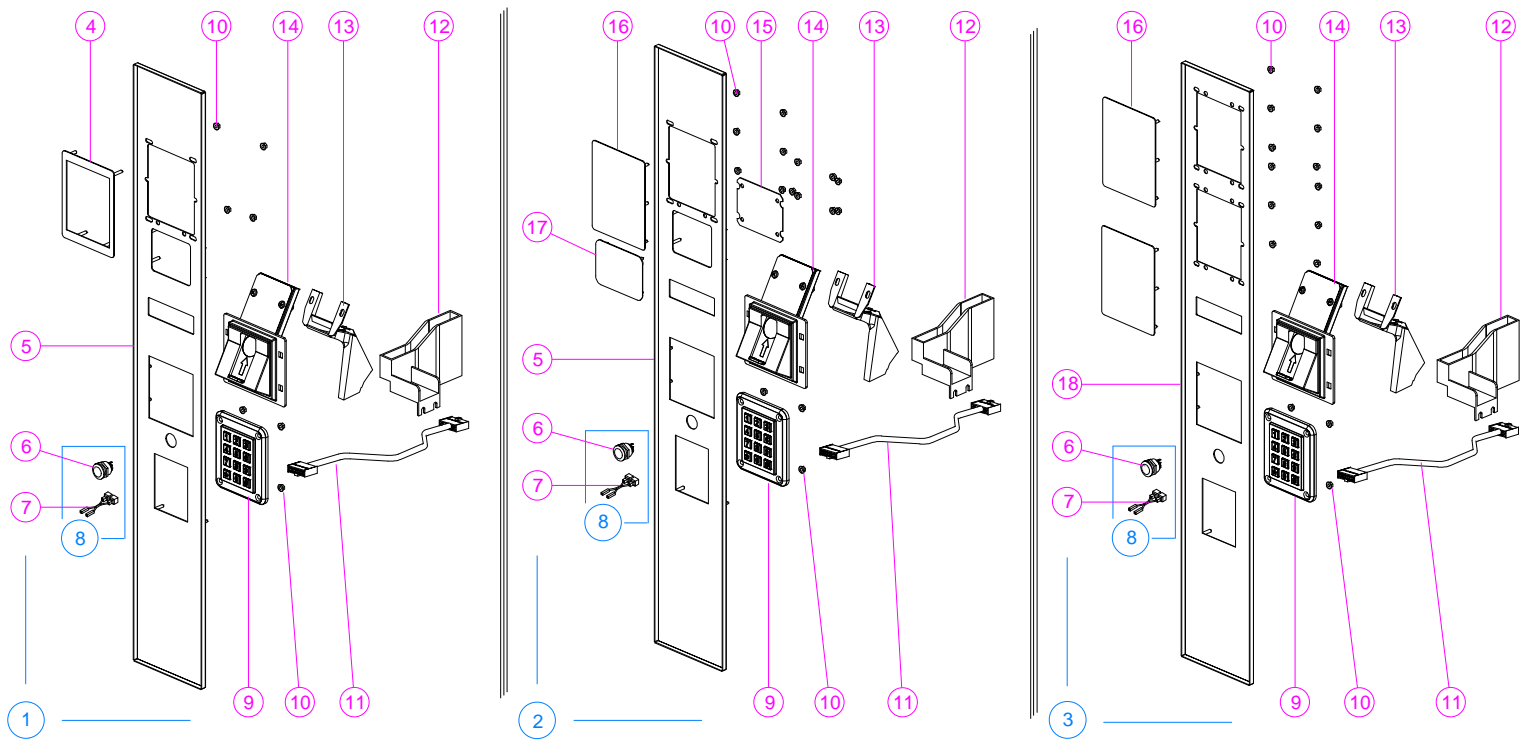


Pos	Code	Description	Serial Number Nota
10	395750/2	WIRING DIAGRAM DISPLAY	
11	402727/1	BLUE DISPLAY SUPPORT	
-		STD Control Panel	
-		STD Control Panel	
-		Drawer Unit	
-		Drawer Unit	

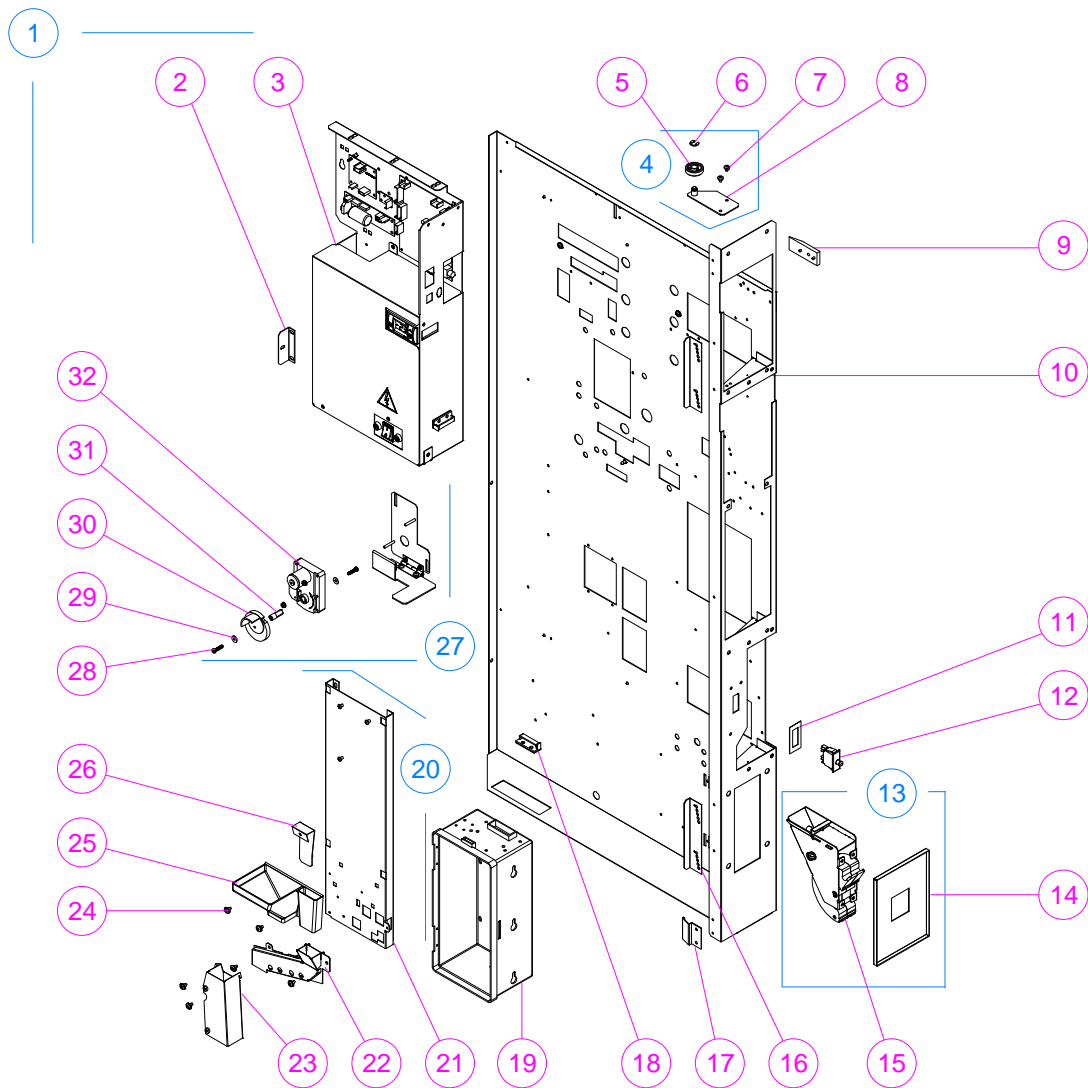


Pos	Code	Description	Serial Number Nota
1	141010	ASSEMBLY CONTROL PANEL SCI - PLUG	
1	141010/1	ASSEMBLY CONTROL PANEL LARGE SCI - PLUG	
2	141010/2	ASSEMBLY CONTROL PANEL SCI-COLLAR	
3	141588	ASSEMBLY CONTROL PANEL W/O COIN INSERT-COLLAR	
4	138859	WELDED ASSY HOLE COVER CVB	
5	140258	SCI CONTROL PANEL WELD ASSY	
6	408964	PUSH BUTTON EAO	
7	141853	ADAPTOR PUSH BUTTON HARNESS	Retrofit code, not included in the assembly
8	143022	KIT RETROFIT COIN RETURN PUSH BUTTON	Retrofit code, not included in the assembly
9	397966	KEYBOARD	
10	398224/1	NUT, FLANGED 4MA MILLED	
11	139174	HARNESS SF01-KEY PAD SCI + STD NEW	Not included in the assembly
12	407183	S.C.I. COINS INSERT CHANNEL	Not included in the assembly
13	139888	SLIDE COIN CHUTE ASSY	Not included in the assembly
14	137350	SLIDE COINS INSERT ASSY	
14	137350/3	SLIDE COIN INSERT ASSY	Only with p/n 141010/1
15	139515	WELDED ASSY COLLER CVB	
16	407648	HOLE COVER SCI COIN INSERT	

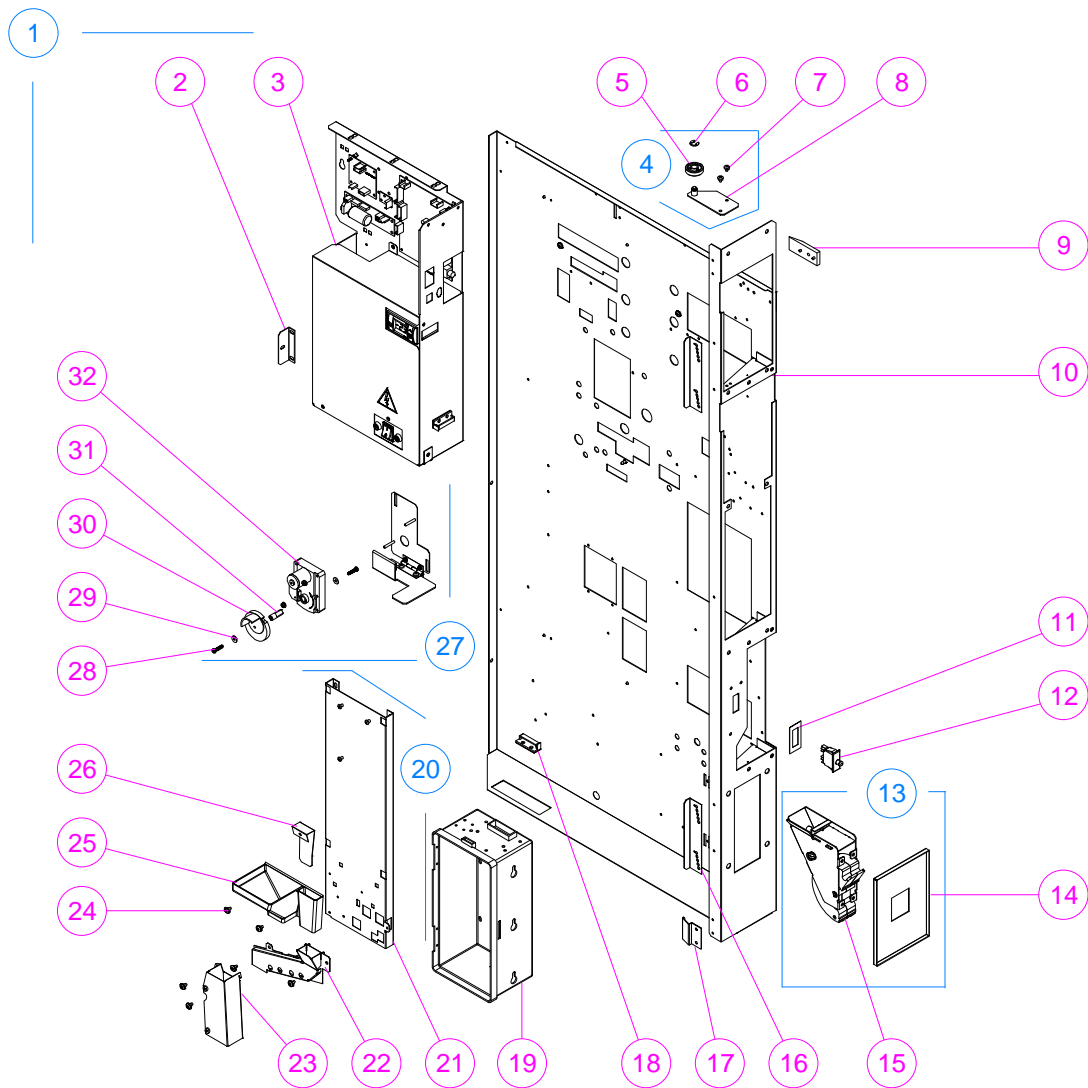




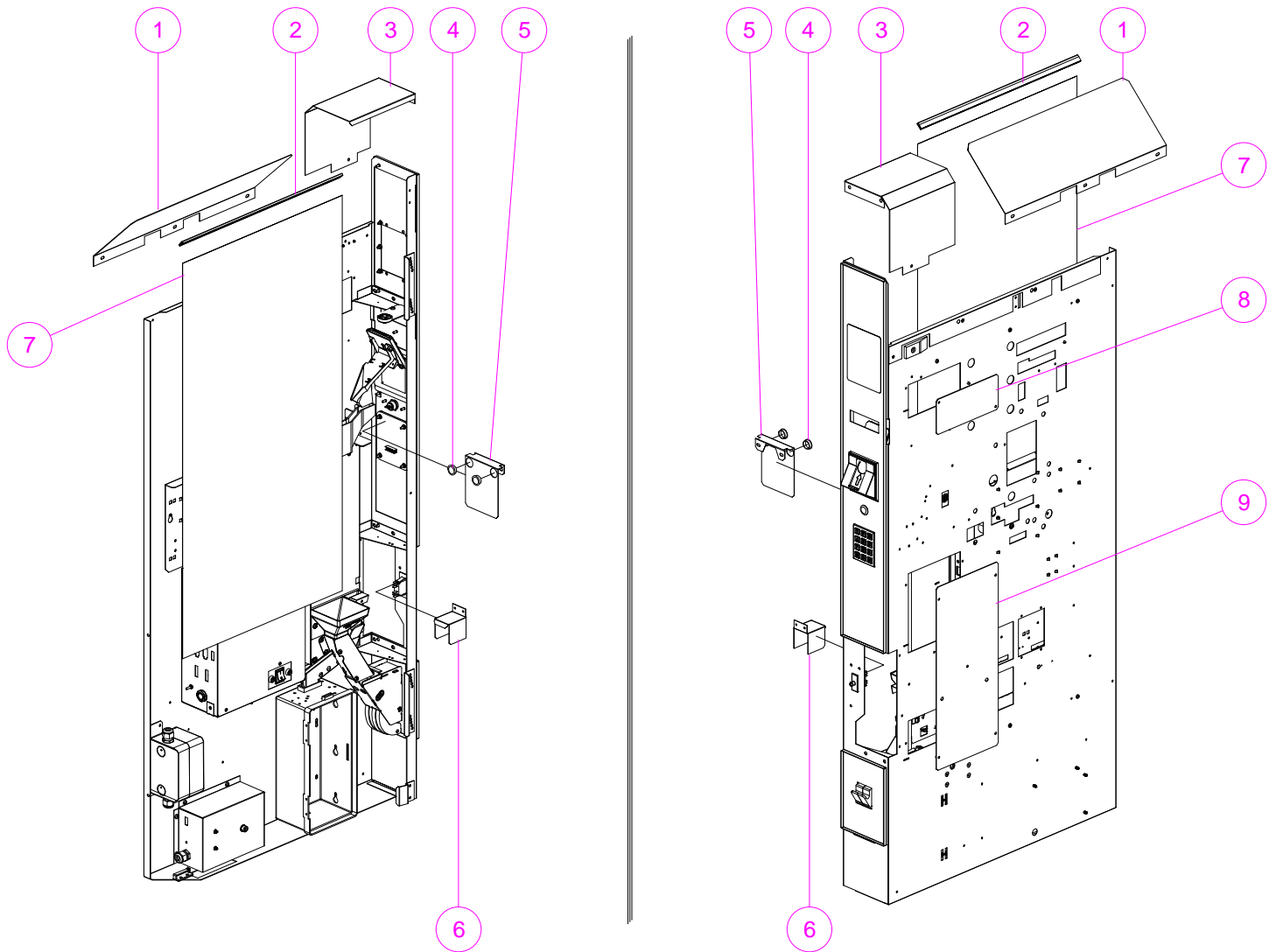
Pos	Code	Description	Serial Number Nota
1	141627	ASSEMBLY AGE READER CONTROL PANEL SCI-COLLAR	
2	141269	ASSEMBLY AGEREADER CONTROL PANEL SCI - PLUGS	
3	144209	ASSEMBLY CONTROL PANEL SCI - 2 PLUG	
4	136414	CBV INSTALATION KIT	
5	141270	AGEREADER SCI CONTROL PANEL WELD ASSY	
6	408964	PUSH BUTTON EAO	Retrofit code, not included in the assembly
7	141853	ADAPTOR PUSH BUTTON HARNESS	Retrofit code, not included in the assembly
8	143022	KIT RETROFIT COIN RETURN PUSH BUTTON	
9	397966	KEYBOARD	Not included in the assembly
10	398224/1	NUT, FLANGED 4MA MILLED	
11	139174	HARNESS SF01-KEY PAD SCI + STD NEW	Not included in the assembly
12	407183	S.C.I. COINS INSERT CHANNEL	Not included in the assembly
13	139888	SLIDE COIN CHUTE ASSY	Not included in the assembly
14	137350	SLIDE COINS INSERT ASSY	
15	407997	REAR COVER HOLE READER	
16	138859	WELDED ASSY HOLE COVER CVB	
17	141253	PLUG WELD ASSY CARD READER	
18	144210	SCI - 2 PLAG CONTROL PANEL WELD ASSY	



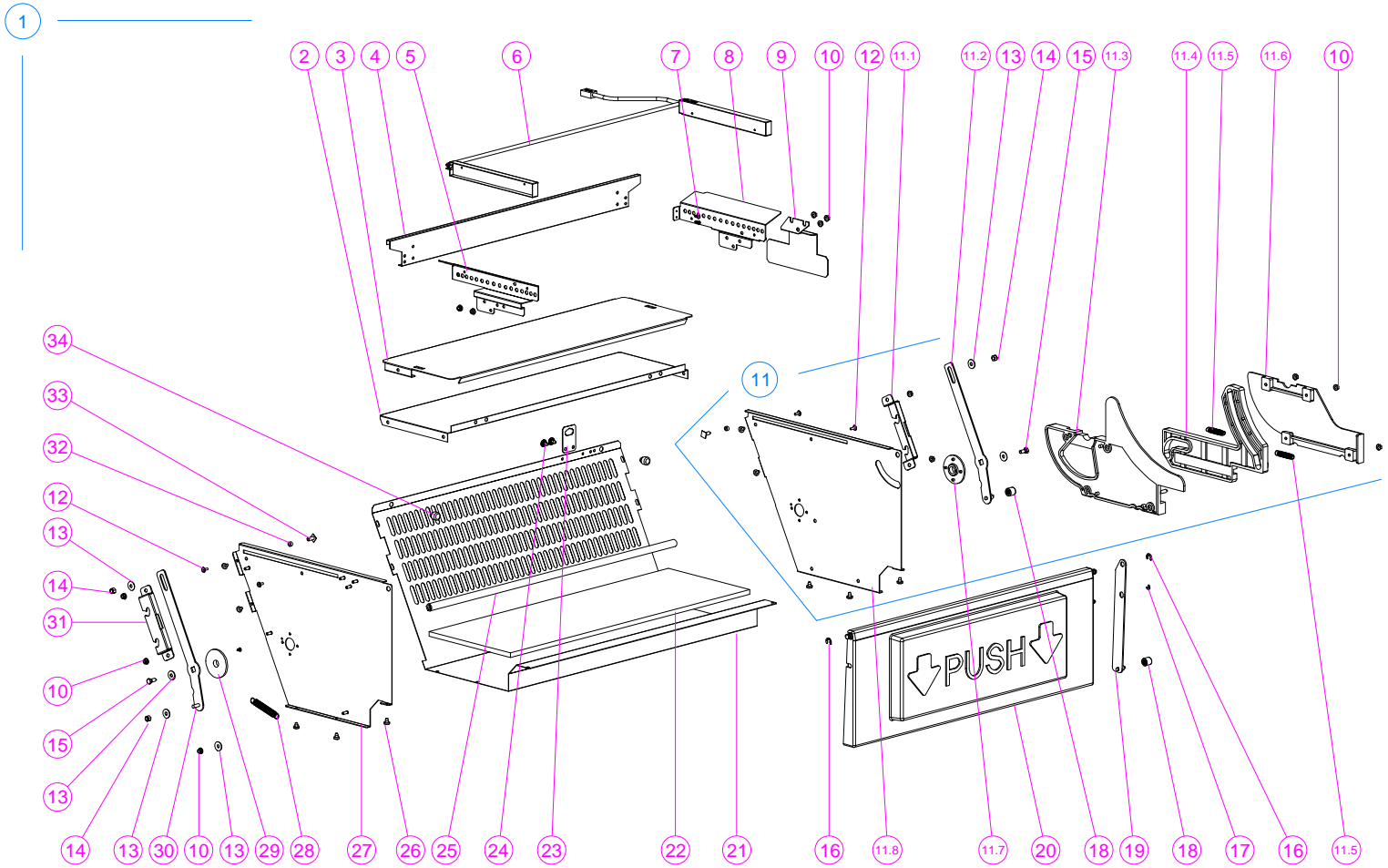
Pos	Code	Description	Serial Number Nota
1	141235	DRAWER ASSEMBLY	
2	406623	ELEVATOR FASTENER	
3		Box Transformer	Pag. 39 - 40 - 41
4	140406	CENTERING WHEEL DOOR ASSY	
5	392308	WHEEL	
6	381442/1	SEEGER Ø8	
7	V800569	SCREW TC+ 4,8x6,5	
8	140407	RIVETED WHEEL SUPPORT	
9	396124	PLASTIC CHUTE	
10	140210	STD CONTROL PANEL WELD ASSY	
11	411167	SWITCH PLATE	2120010651 - ZZZZZZZZZ
12	407390	F79-66A SWITCH	
13	141009	COIN RETURN ASSEMBLY	
15	137126	COIN RETURN ASSY	
14	140631	COIN RETURN PLATE BODY WELD ASSY	
16	405844	CONTROL PANEL STOPPER	
17	406899	PANEL RETAINER BRKT	
18	391031	CLAMP CABLE FASTENER	
19		Coin Box	Pag. 47
20	141592	COINAGE DOOR ASSY	
21	407346	COIN BOX SUPPORT	



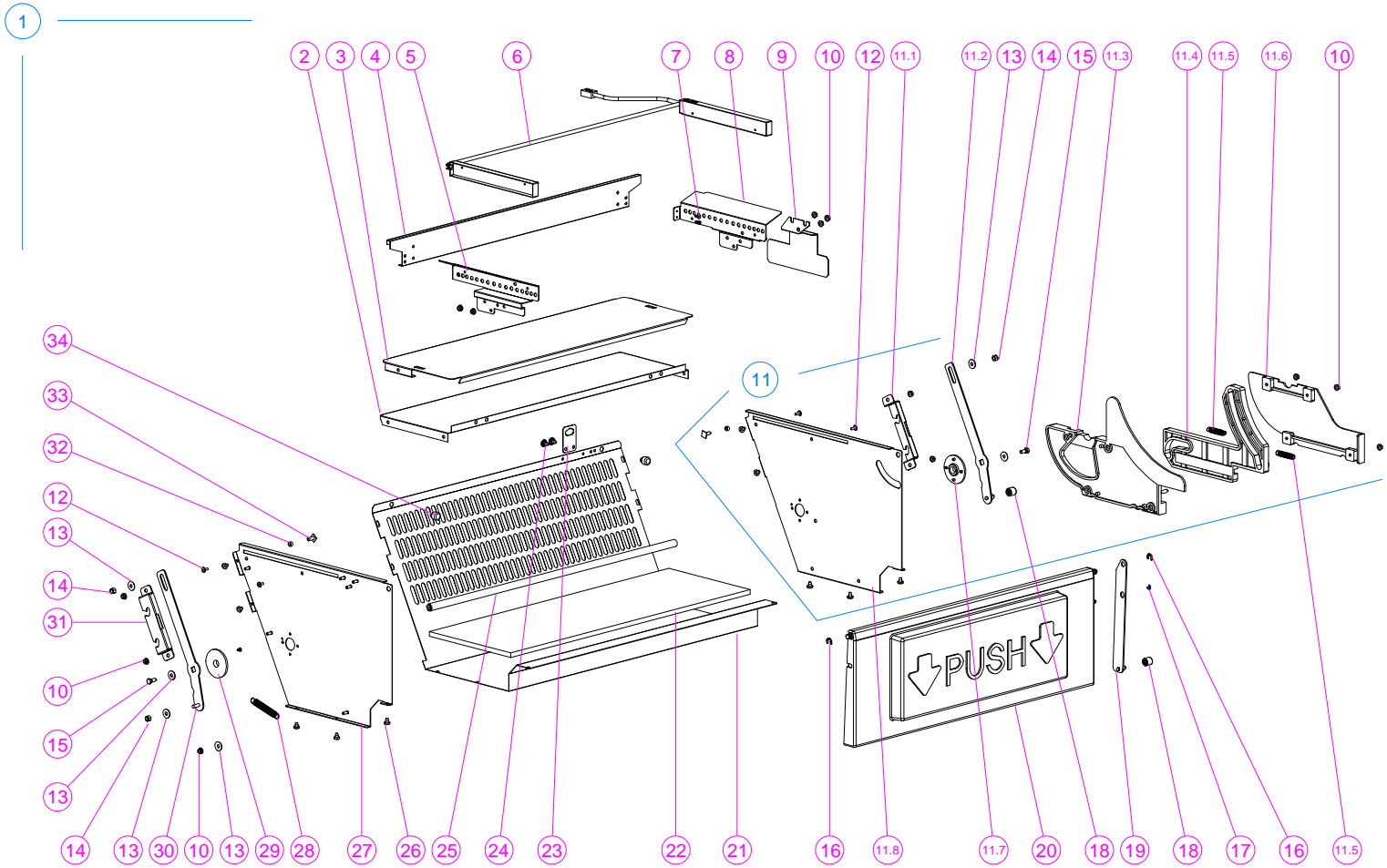
Pos	Code	Description	Serial Number	Nota
22	143421	LOWER COINS CHANNEL ASSY		
23	140369	COIN RETURN CHANNEL ASSY		
24	V800570	SCREW T1+4,8X9,5 S.POINT		
25	402350	COIN RETURN CONVEYOR	000000000 - 2212001207	
25	411507	COIN RETURN CONVEYOR	2213002681 - zzzzzzzzzz	
26	408331	COINS DEFLECTOR	000000000 - 2212001207	Substitute by p/n 411507
27	140300	COIN RETURN MOTOR ASSY		
28	371110/3	SCREW M4 x 20		
29	381240	WASHER 4X12X1		
30	390606/1	CAM ROTATION		
31	398721	SHAFT		
32	396030	SM-31 MOTOR		



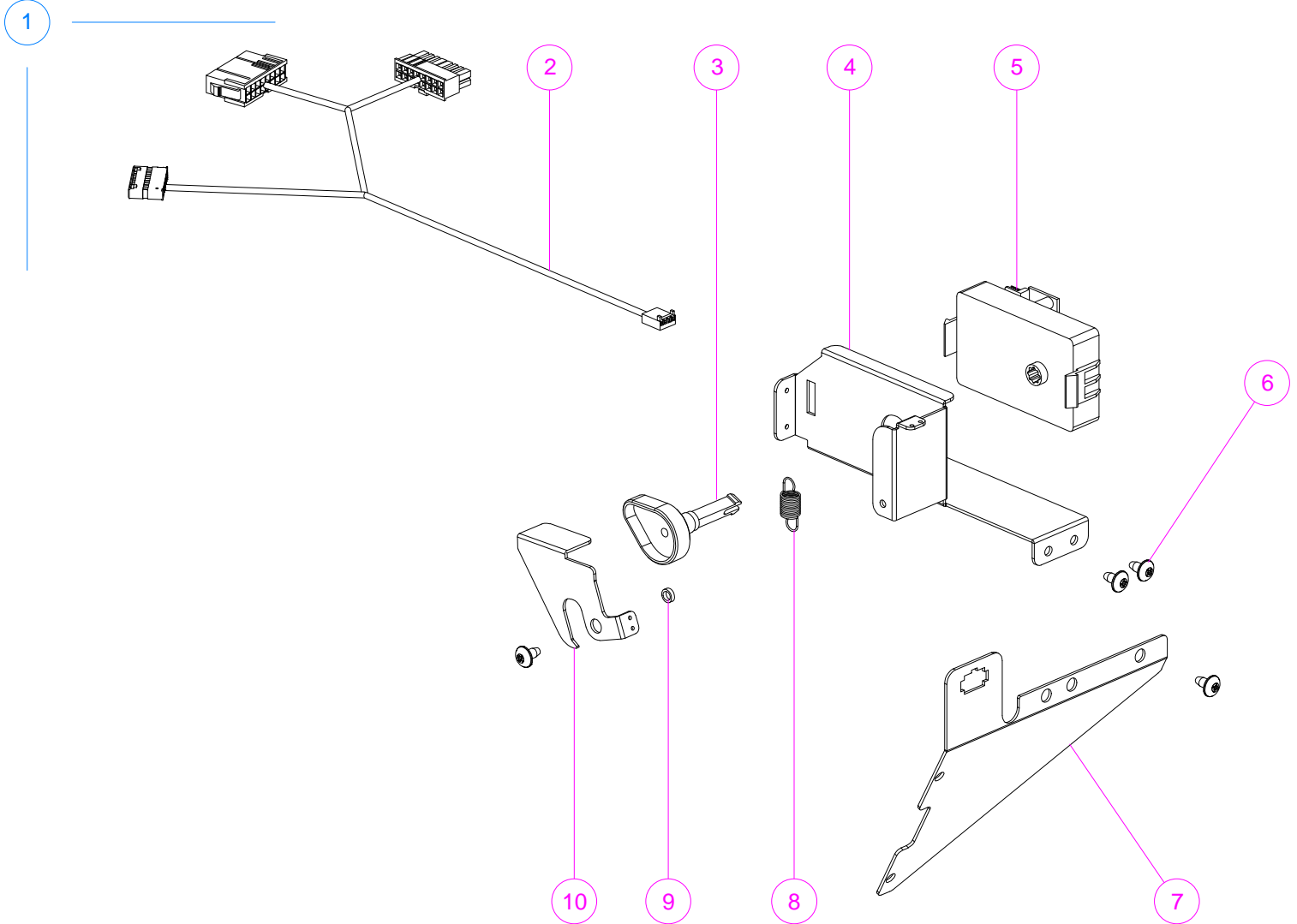
Pos	Code	Description	Serial Number Nota
1	408937	DRAWER PROTECTION	
2	386430/18	U WHITE PROFILE MM.490	
3	408911	DRAWER UPPER PROTECTION	
4	402735	PLUG Ø20,6	
5	408914	KEYBORD AND BUTTON COIN CHANGER COVER	
6	412878	MICRO DOOR BOTTOM PROTECTION	
7	393051/15	NYLON	
8	413768	UPPER HOLE COVER OD	
9	413768/1	BOTTOM HOLE COVER OD	



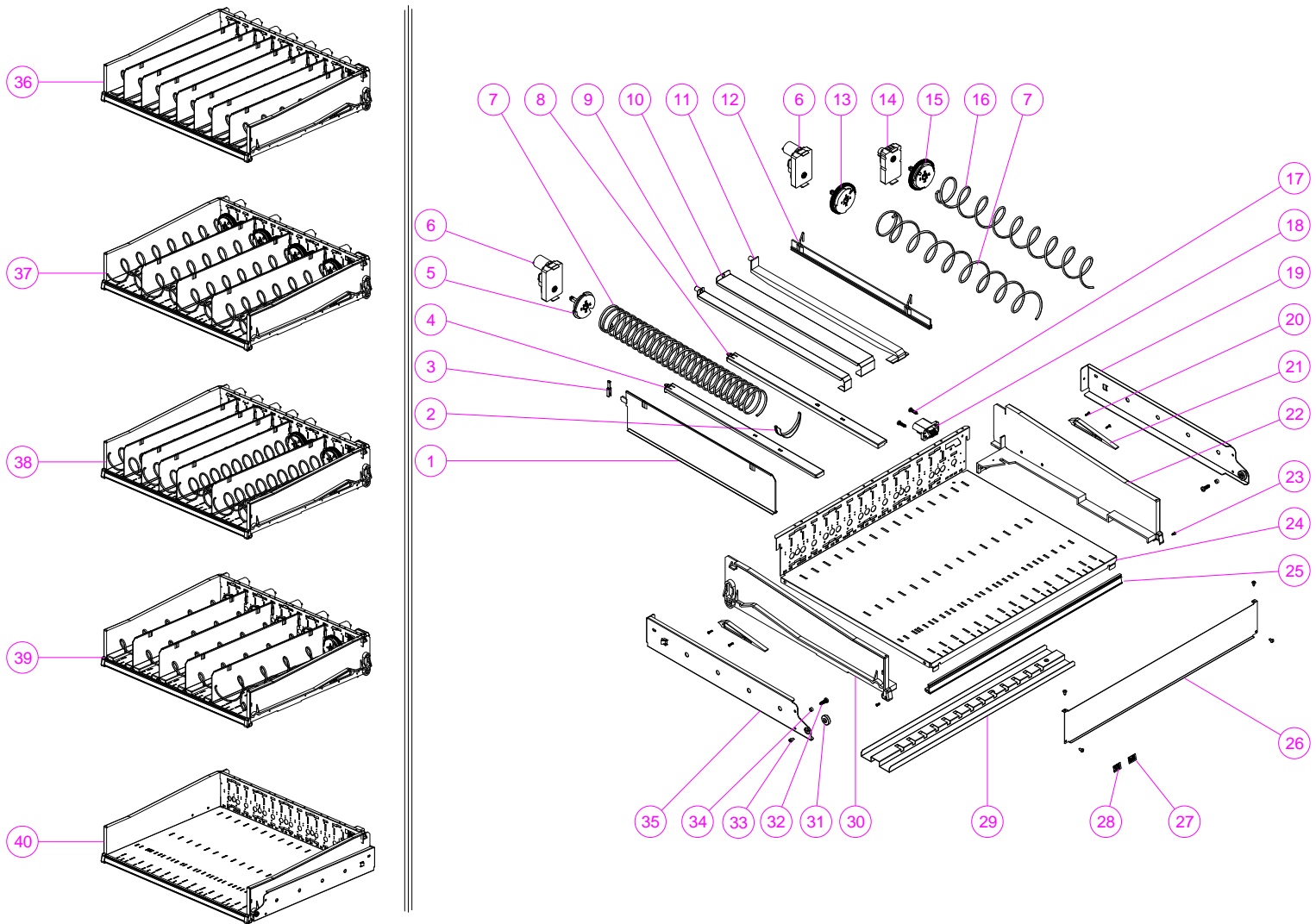
Pos	Code	Description	Serial Number Nota
1	141348	DELIVERY EYELET ASSY	
2	405480	ANTI-THEFT CLOSURE	
3	413588	ANTI-THEFT FLAP DOOR 8 SELECTION	
4	413592	HOPPER CHANNEL	
5	408122	LH SUPPORT PHOTOCELL-BOARD	
6	141351/3	SDX OPTICS BARRIER KIT	THIS PART IS SOLD SEPARATELY FROM DELIVERY EYELET ASSY
7	381603/1	SCREW TC+2,9X9,5	
8	408123	RH SUPPORT PHOTOCELL-BOARD	
9	408889	ANTITILTING BRACKET	
10	398224/1	NUT, FLANGED 4MA MILLED	
11	140814	RH SIDE DELIVERY EYELET	
11.1	405485	RH DELIVERY EYELET FIXAGE SUPPORT	
11.2	139924	RIGHT LINK RIVET ASSY	
11.3	404709	DELIVERY EYELET SLIDING SUPPORT	
11.4	404710	SLIDING LEVER	
11.5	391838	EXPELLER SPRING	
11.6	404659	COVER	
11.7	404711	SHAFT BUSHING	
11.8	139923	HOPPER SIDE RH WELD ASSY	
12	333097	POP RIVET	
13	31915	FLAT WASHER 5X15X1	



Pos	Code	Description	Serial Number Nota
14	390058/2	SELF-BLOCKING NUT 5MA	
15	397534	SCREW M5 X 12	
16	381442	SEEGER Ø6 UNI 6799	
17	381442/2	SEEGER Ø4	
18	381084	BEARING	
19	139922	FLAP-DOOR LEVER RIVET ASSY	
20	143820	EYELET DOOR FOAMING ASSY	
21	404718	DELIVERY EYELET	
22	403857/5	SPONGE RUBBER 708x190x8	THIS PART IS SOLD SEPARATELY FROM DELIVERY EYELET ASSY
23	408260	CONNECTOR SUPPORT	
24	V800570	SCREW T1+4,8X9,5 S.POINT	
25	403576	SHAFT	
26	V800569	SCREW TC+ 4,8x6,5	
27	139925	HOPPER SIDE LH WELD ASSY	
28	392038	SPRING	
29	404711	SHAFT BUSHING	
30	139567	LEFT LINK RIVET ASSY	
31	405485/1	LH DELIVERY EYELET FIXAGE SUPPORT	
32	386067	SPACER 5X7X3,9	
33	328761/1	TEE BOLT	
34	394693	ANTI-SHOCK RUBBER 15/615	

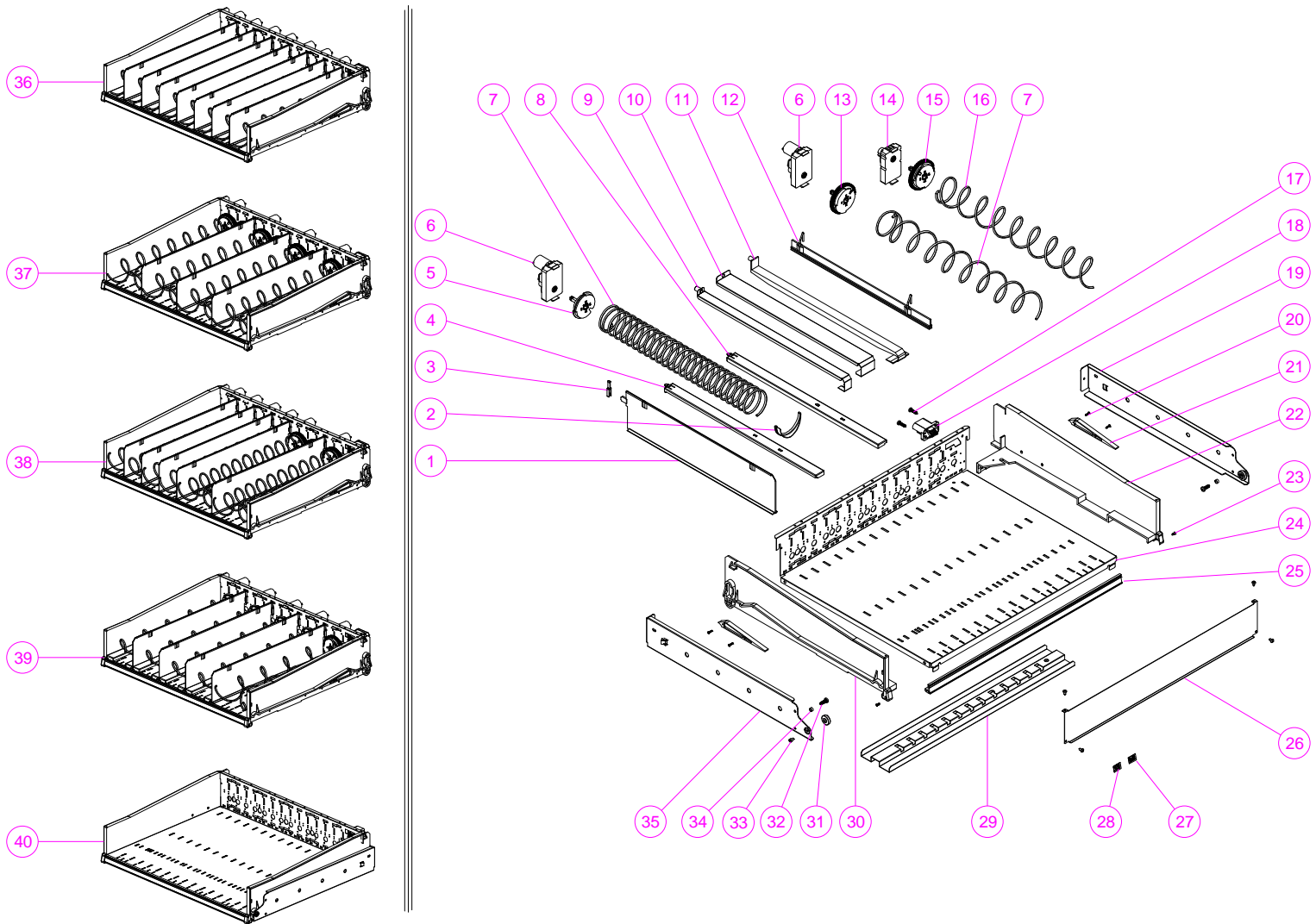


Pos	Code	Description	Serial Number Nota
1	144145/1	DELIVERY EYELET LOCK ASSY	
2	144349	DELIVERY EYELET LOCK HARNESS	
3	407880	CAM	
4	413080	MOTOR SUPPORT	
5	407735	GEARED MOTOR	
6	V800570	SCREW T1+4,8X9,5 S.POINT	
7	413079	BRACKET	
8	395450	SPRING	
9	386067/2	SPACER	
10	413081	DELIVERY EYELET HOOK	

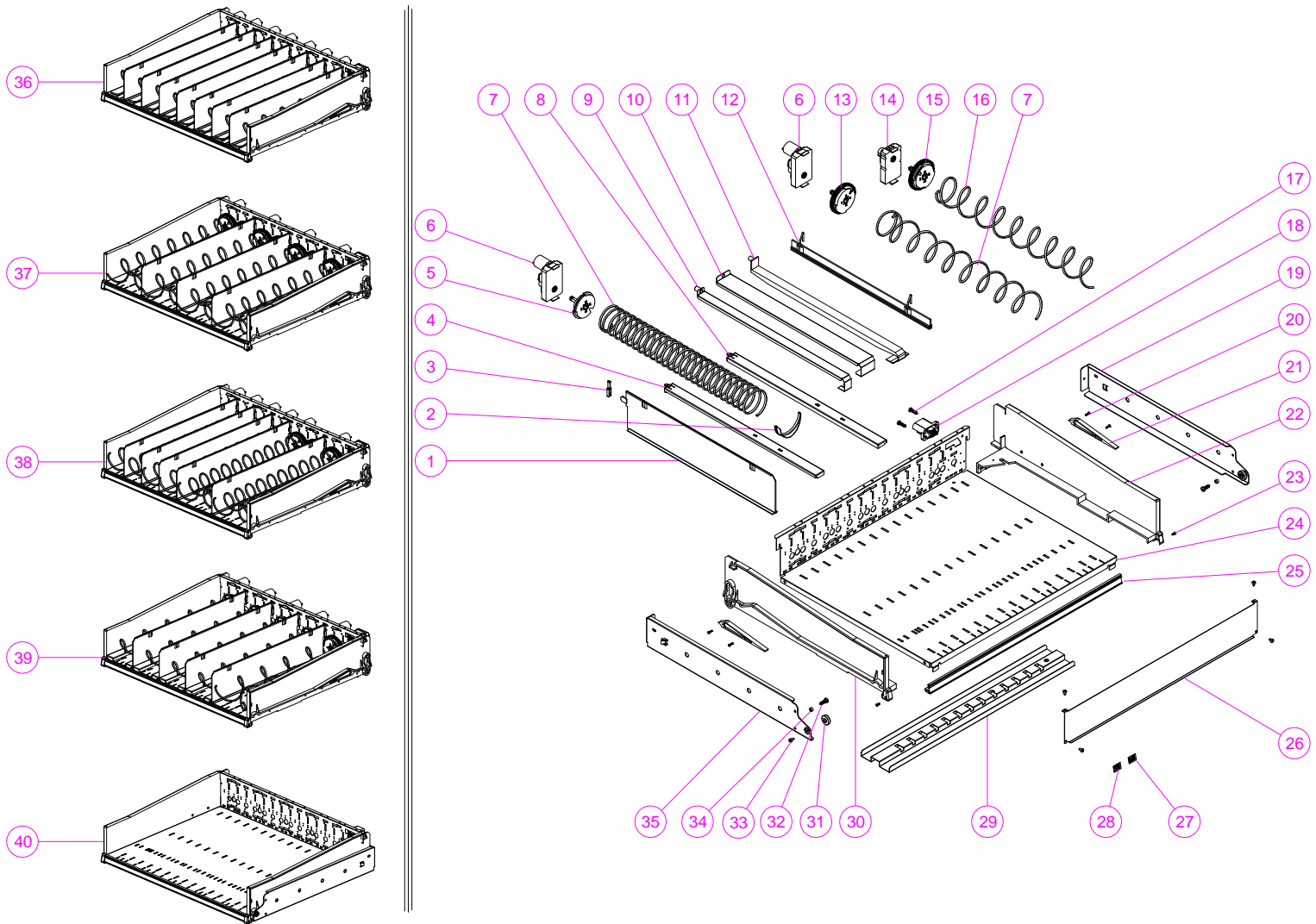


Pos	Code	Description	Serial Number Nota
1	405507	DRAWER DIVISOR	
2	400414	PRODUCT PUSHER	
3	405453	KEY STOPPER FOR DIVIDER	
4	404594/2	LH NARROW SPACER	
5	140174/2	RED - WHITE LH SPIRAL HOOKING	
6	404451	MOTOR	
7	404556...	SPIRAL FOR SNACK LEFT	
8	404594/3	RH NARROW SPACER	
9	143478	KIT CHEWING GUM SPACER	
10	411135	SPACER	
11	407674/1	PLASTIC CANS SUPPORT	
12	140535/1	SQUEEZER KIT	
13	140174/3	RED - WHITE LH SPIRAL HOOKING GEAR	
14	405565	MOTOR GEAR	
15	140174/1	BLACK - WHITE RH SPIRAL HOOKING GEAR	
16	405801...	SPIRAL FOR SNACK RIGHT	
17	392337	SCREW 4,8x22	
18	139254	DRAWER HARNESS	
19	140496/1	RH DRAWER GUIDE ASSY	
20	381603/13	SCREW 2,9X13 (only used on lowest drawer)	
21	404877	GUIDE INSERT (only used on lowest drawer)	





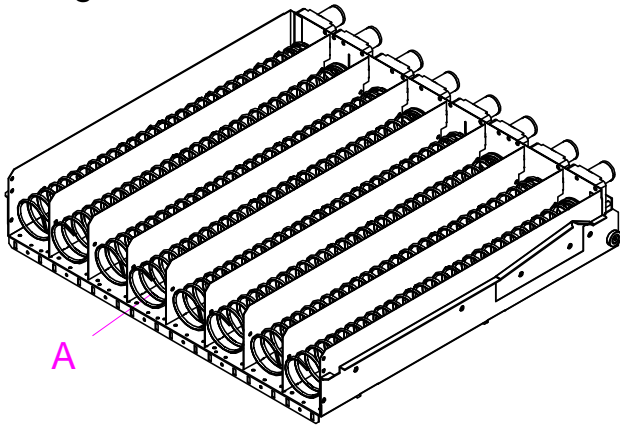
Pos	Code	Description	Serial Number Nota
22	404429	RH SNACK DRAWER GUIDE	
23	381603/5	SCREW TSP+2,9X9,5	
24	405504	SNACK DRAWER	
25	404446	HOLDER LABELS PROFILE	
26	143479	KIT FRONT COVER 8 SELECTION TRAY	
27	406013	LABEL PRICES (0.25 - 1.40)	
28	406014	LABELS SELECTIONS	
29	406414	DRAWER CENTRAL REINFORCE	
30	404429/1	LH SNACK DRAWER GUIDE	
31	401526	SCH -29-1821 BALL BEARING	
32	V800874	SCREW T1+4,8X16 S.POINT	Only on the first tray in the bottom
33	398128	SCREW TCEI 4MAX6	
34	386067	SPACER 5X7X3,9	Only on the first tray in the bottom
35	140496	LH DRAWER GUIDE ASSY	
36	139831	TRAY 8 SELECTION WITH SPIRAL STEP 77 CAN ASSY	
36	139831/1	TRAY 8 SELECTION WITH SPIRAL STEP 85 CAN ASSY	
36	139831/22	TRAY 8 SEL.WITH SPIRAL STEP 35(6pcs) - 45(2pcs) ASSY	
36	139831/24	TRAY 8 SEL.WITH SPIRAL STEP 35(4pcs) - 45(4pcs) ASSY	
36	139831/25	TRAY 8 SELECTION WITH SPIRAL STEP 30 ASSY	
36	139831/31	TRAY 8 SELECTION WITH SPIRAL STEP 18.5 ASSY	
36	139831/34	TRAY 8 SELECTION WITH SPIRAL STEP 35 ASSY	



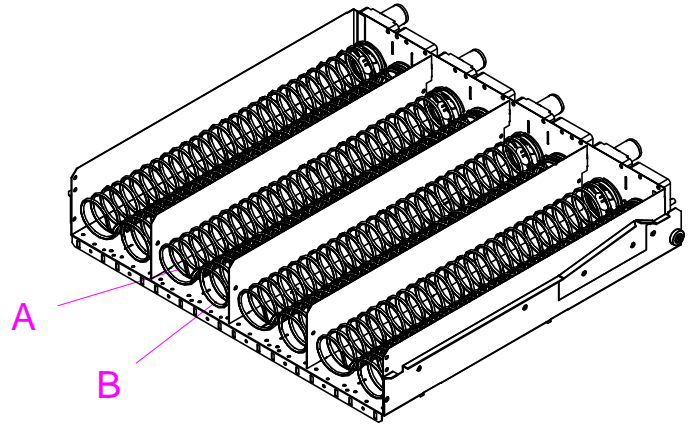
Pos	Code	Description	Serial Number Nota
36	139831/43	TRAY 8 SELECTION WITH SPIRAL STEP 85 ASSY	
36	139831/67	TRAY 8 SELECTION WITH SPIRAL STEP 45 ASSY	
36	139831/68	TRAY 8 SELECTION WITH SPIRAL STEP 77 ASSY	
36	139831/69	TRAY W/O SPIRAL-ONLY WITH SPACERS AND MOTORS ASSY	
36	139831/76	TRAY 8 SELECTION WITH SPIRAL STEP 55 ASSY	
37	139831/2	TRAY 4 SELECTION WITH SPIRAL STEP 65 ASSY	
37	139831/4	TRAY 4 SELECTION WITH SPIRAL STEP 55 ASSY	
37	139831/5	TRAY 4 SELECTION WITH SPIRAL STEP 95 ASSY	
37	139831/20	TRAY 8 SEL.WITH SPIRAL STEP 35(6pcs) - 45(2pcs) ASSY	
37	139831/21	TRAY 4 SELECTION WITH SPIRAL STEP 35(3pcs) - 55(1pcs) ASSY	
37	139831/40	TRAY 4 SELECTION WITH SPIRAL STEP 55(1pcs) - 95(3pcs) ASSY	
38	139831/3	TRAY 6 SELECTION WITH SPIRAL STEP 45 ASSY	
39	139831/19	TRAY 5 SELECTION WITH SPIRAL STEP 95 ASSY	
40	139831/32	EMPTY TRAY ASSY	
40	139831/42	TRAY ONLY WITH MOTORS - WITHOUT SPIRAL AND SPACER ASSY	

## Set-Up Spiral

### Single Column

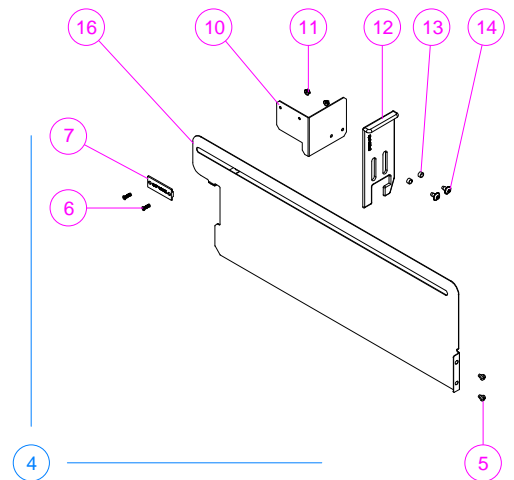
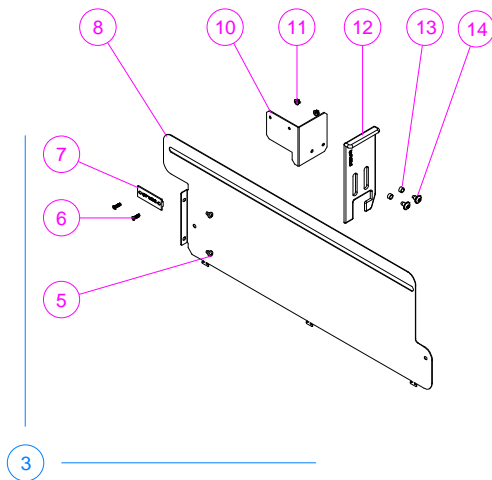
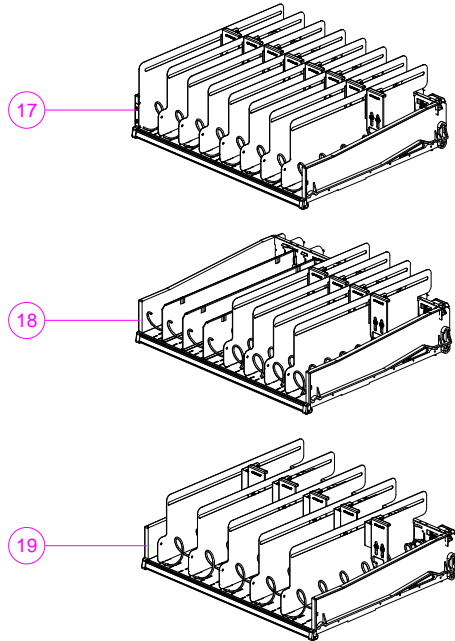
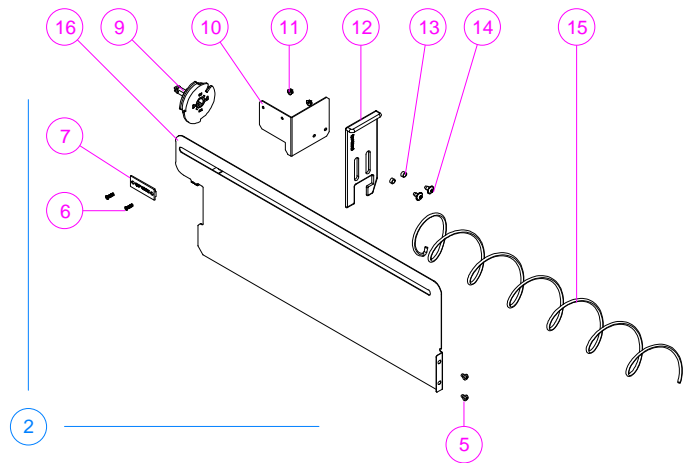
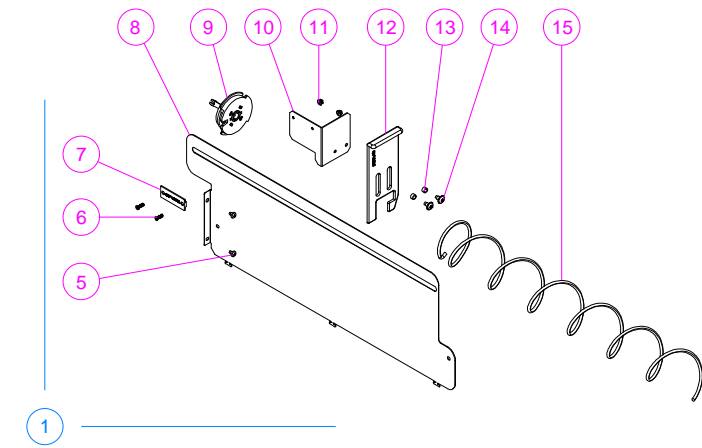


### Double Column

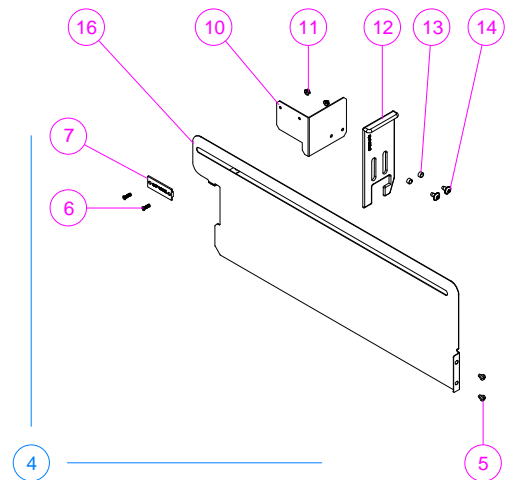
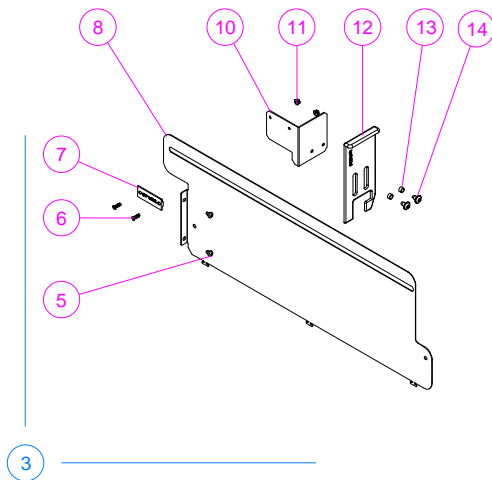
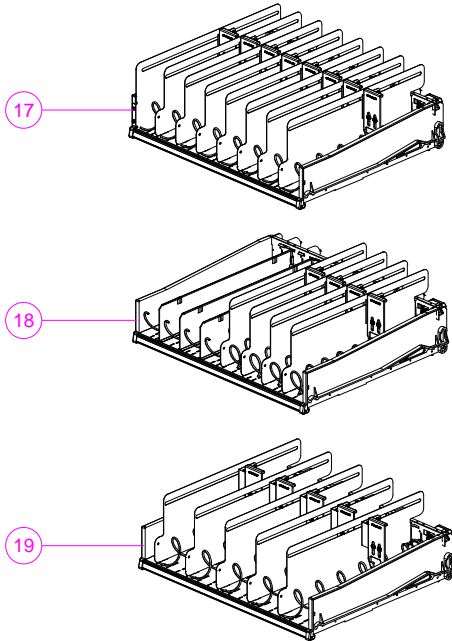
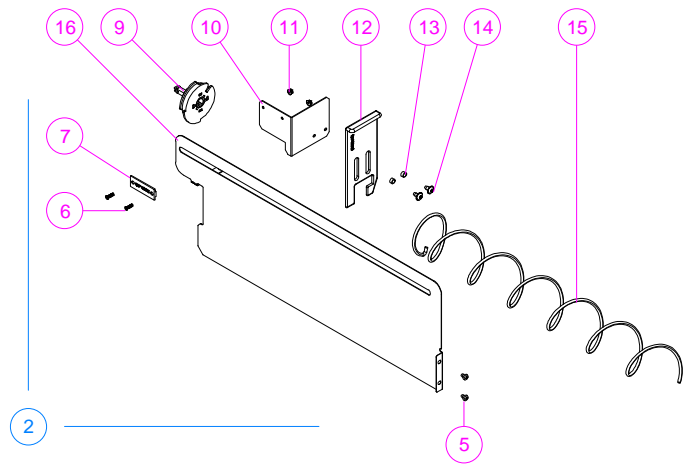
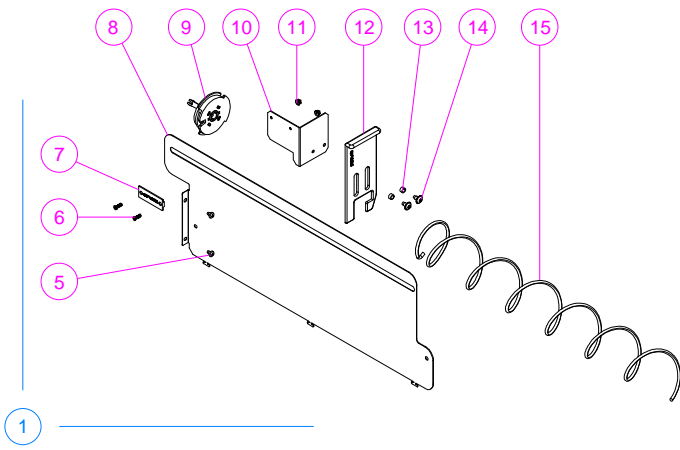


SPIRALE PER SNACK SX SPIRAL FOR SNACK LEFT				
POS.	PARTICOLARE N° PARTICULAR NUMBER BESTIMMTE ZAHL NOMBRE PARTICULIER NÚMERO PARTICULAR	DIAMETRO DIAMETER DURCHMESSER DIAMÈTRE DIÁMETRO	PASSO STEP SCHRITT ÉTAPE PASO	N°PRODOTTI NUMBER PRODUCTS ZAHLPRODUKTE NOMBRE PRODUITS NÚMERO PRODUCTOS
A	404556	64.5	18.5	24
A	404556/1	64.5	25	17
A	404556/2	64.5	30	14
A	404556/3	64.5	35	12
A	404556/4	64.5	45	10
A	404556/5	64.5	55	8
A	404556/6	64.5	65	7
A	404556/8	64.5	85	5
A	404556/9	64.5	40	11
A	404556/10	64.5	77	6
A	404556/11	64.5	95	4
A	404556/12	64.5	105	4

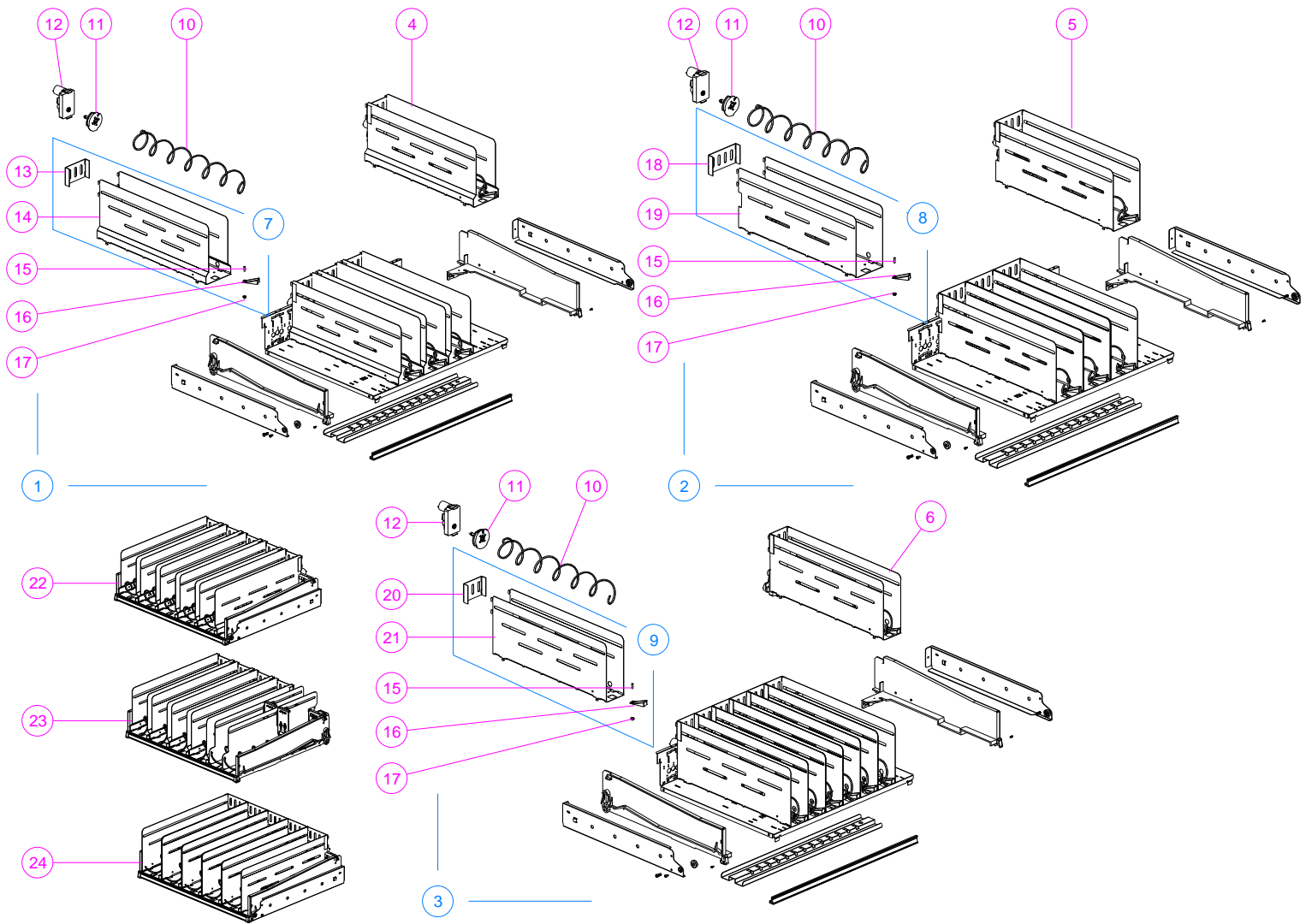
SPIRALE PER SNACK DX SPIRAL FOR SNACK RIGHT				
POS.	PARTICOLARE N° PARTICULAR NUMBER BESTIMMTE ZAHL NOMBRE PARTICULIER NÚMERO PARTICULAR	DIAMETRO DIAMETER DURCHMESSER DIAMÈTRE DIÁMETRO	PASSO STEP SCHRITT ÉTAPE PASO	N°PRODOTTI NUMBER PRODUCTS ZAHLPRODUKTE NOMBRE PRODUITS NÚMERO PRODUCTOS
B	405801	64.5	18.5	24
B	405801/1	64.5	25	17
B	405801/2	64.5	30	14
B	405801/3	64.5	35	12
B	405801/4	64.5	45	10
B	405801/5	64.5	55	8
B	405801/6	64.5	65	7
B	405801/8	64.5	85	5
B	405801/9	64.5	40	11
B	405801/10	64.5	77	6
B	405801/11	64.5	95	4
B	405801/12	64.5	105	4



Pos	Code	Description	Serial Number Nota
1	141862	CENTR/RH SANDWICHES KIT SING. WIDE SEL WITH SPIR. PITCH 77mm	
1	141862/4	CENTRAL/RH SANDWICHES KIT "1,5" WIDE SEL. WITH SPIR. PITCH 77mm	
2	141862/1	LH SANDWICHES KIT SING.WIDE SEL. WITH SPIR.PITCH 77mm	
2	141862/5	LH SANDWICHES KIT "1,5" WIDE SEL. WITH SPIRAL PITCH 77mm	
3	141862/2	CENTRAL / RH SANDWICHES KIT SINGLE WIDE SEL. W/O SPIRAL	
3	141862/6	CENTRAL / RH SANDWICHES KIT "1,5" WIDE SEL. W/O SPIRAL	
4	141862/3	LH SANDWICHES KIT SINGLE WIDE SEL. W/O SPIRAL	
4	141862/7	LH SANDWICHES KIT "1,5" WIDE SEL. W/O SPIRAL	
5	V800565	SCREW T1+4,2X6,5 S.POINT	
6	371109/10	SCREW TSP+ 3MAX12	
7	409001	SLIDING BLOCK	
8	411366	CENTRAL / RH TRAY BAGUETTE DIVIDER	
9	140174/2	RED - WHITE LH SPIRAL HOOKING	
10	408998	REAR PUSHER	Only with p/n 141862, 141862/1, 141862/2, 141862/3
10	408998/1	REAR PUSHER "1.5"	Only with p/n 141862/4, 141862/5, 141862/6, 141862/7
11	398224	NUT, FLANGED 3MA MILLED	
12	408953	FRONT PUSHER	
13	386067	SPACER 5X7X3,9	
14	V800570	SCREW T1+4,8X9,5 S.POINT	
15	404556/10	SPIRAL FOR SNACK LEFT STEP 77	Only with p/n 141862, 141862/1, 141862/4, 141862/5
16	411367	LH TRAY BAGUETTE DIVIDER	

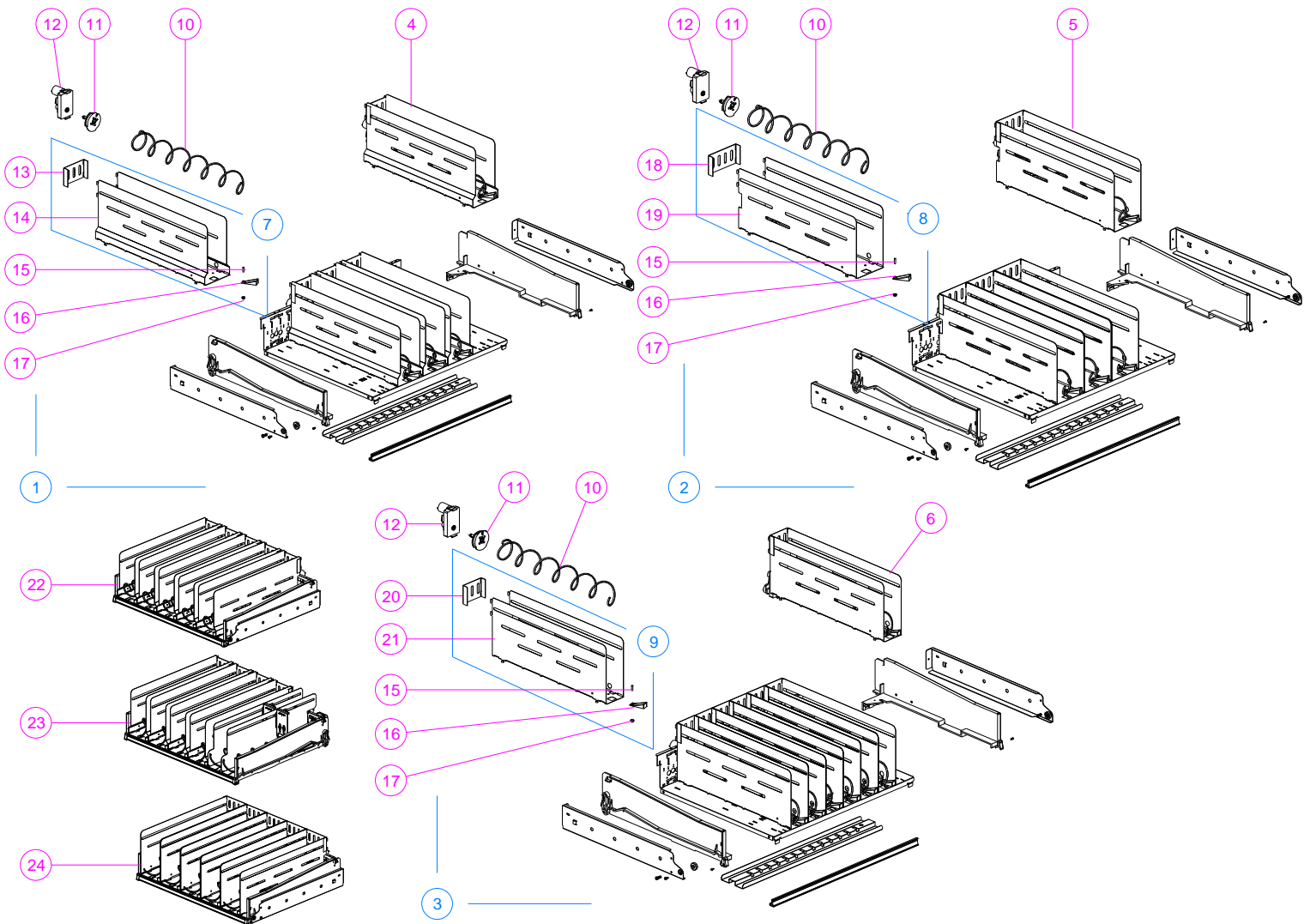


Pos	Code	Description	Serial Number Nota
17	139831/18	BAGUETTE TRAY KIT	
18	139831/41	TRAY WITH BAGUETTE STEP 35(2pcs) - 85 (2pcs) / BOTTLE STEP 85 (4pcs)	
19	139831/52	TRAY WITH 5 KIT BAGUETTE ASSY	

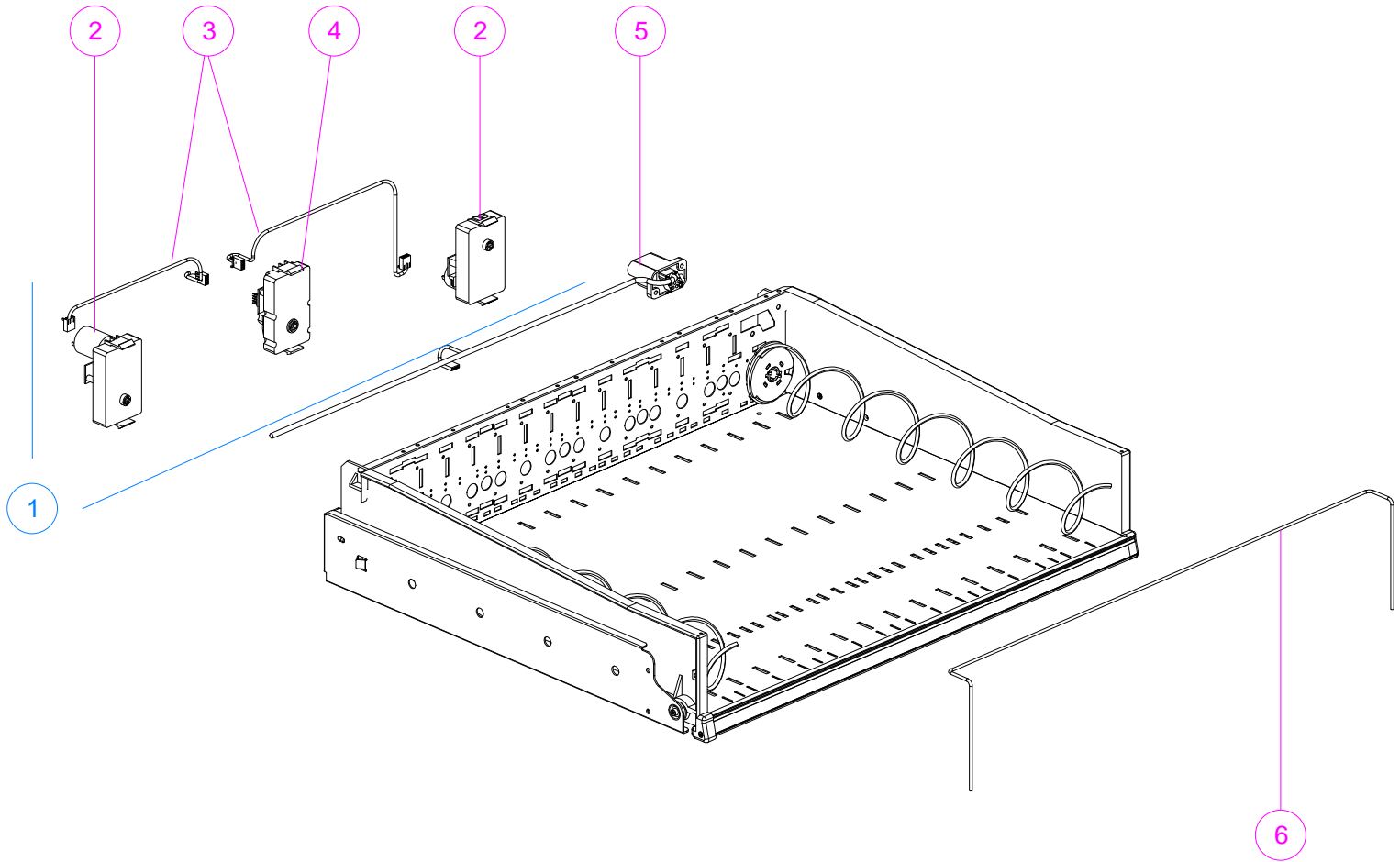


Pos	Code	Description	Serial Number Nota
1	139831/6	SANDWICHES TRAY Width 84	
2	139831/7	SANDWICHES TRAY 1.5 Width 107	
3	139831/8	SINGLE SELECTION SANDWICHES TRAY Width 71	
4	141571/1	KIT FOR 1 SELECTION WITH SPIRAL PITCH 95mm. Width 84	
5	141571/2	KIT FOR 1 SELECTION WITH SPIRAL PITCH 95mm. Width 107	
6	141571/3	KIT FOR 1 SELECTION WITH SPIRAL PITCH 95mm. Width 71	
7	141851	KIT FOR 1 SELECTION W/O SPIRAL Width 84	
8	141851/1	KIT FOR 1 SELECTION W/O SPIRAL Width 107	
9	141851/2	KIT FOR 1 SELECTION W/O SPIRAL Width 71	
10	404556/11	SPIRAL FOR SNACK LEFT STEP 95	
11	140174/2	RED - WHITE LH SPIRAL HOOKING	
12	404451	MOTOR	
13	408933	REAR SUPPORT Width 84	
14	408926	TRIANGLE SANDWICHES GUIDE "1.5" ITALIA	
15	386368/2	SELF HOOKING STUD PFH 4MAX15	
16	411603	SANDWICHES CHUTE	
17	398224/1	NUT, FLANGED 4MA MILLED	
18	409008	REAR SUPPORT Width 107	
19	409005	TRIANGLE SANDWICHES GUIDE Width 107	
20	409007	REAR SUPPORT Width 71	
21	409006	TRIANGLE SANDWICHES GUIDE Width 71	



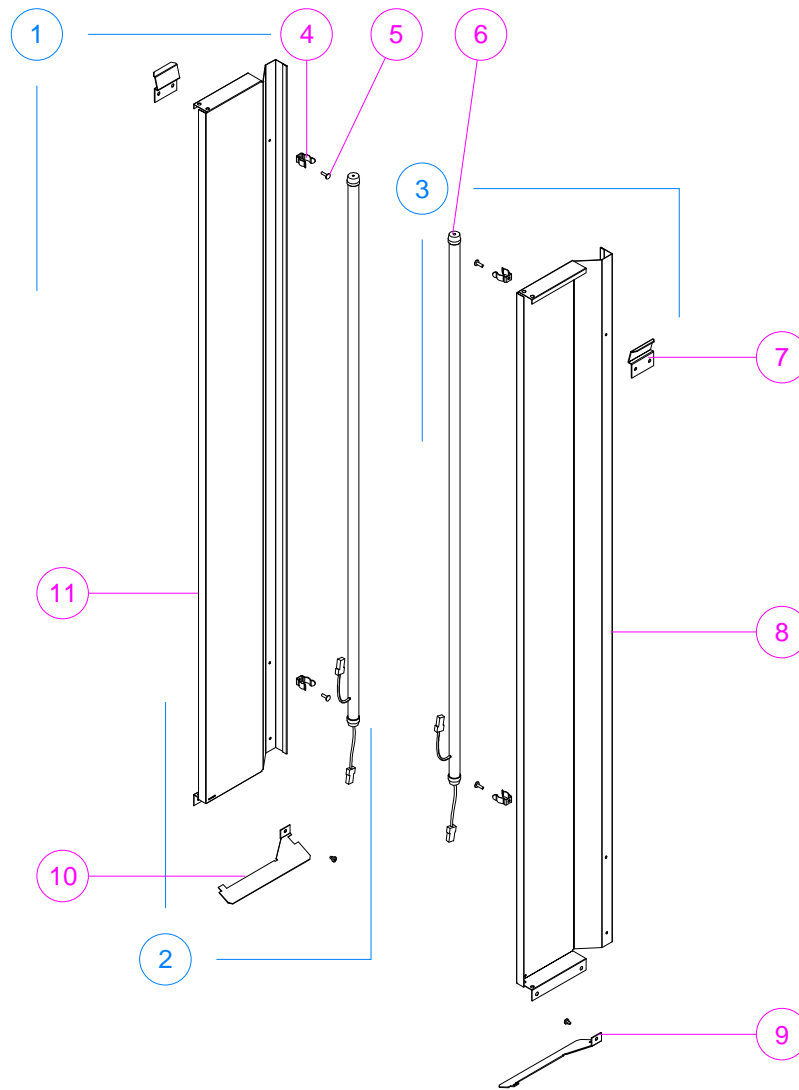


Pos	Code	Description	Serial Number Nota
22	139831/30	SANDWICHES TRAY Width 84 SPIRAL STEP 45	
22	139831/53	SANDWICHES TRAY Width 84 SPIRAL STEP 105	
23	139831/44	TRAY WITH 4 SEL. SANDWICHES / 2 SEL. BAGUETTE ASSY	
24	139831/51	SANDWICHES TRAY 1.5 Width 107 SPIRAL STEP 95	
24	139831/61	SANDWICHES TRAY 1.5 Width 107 SPIRAL STEP 105	

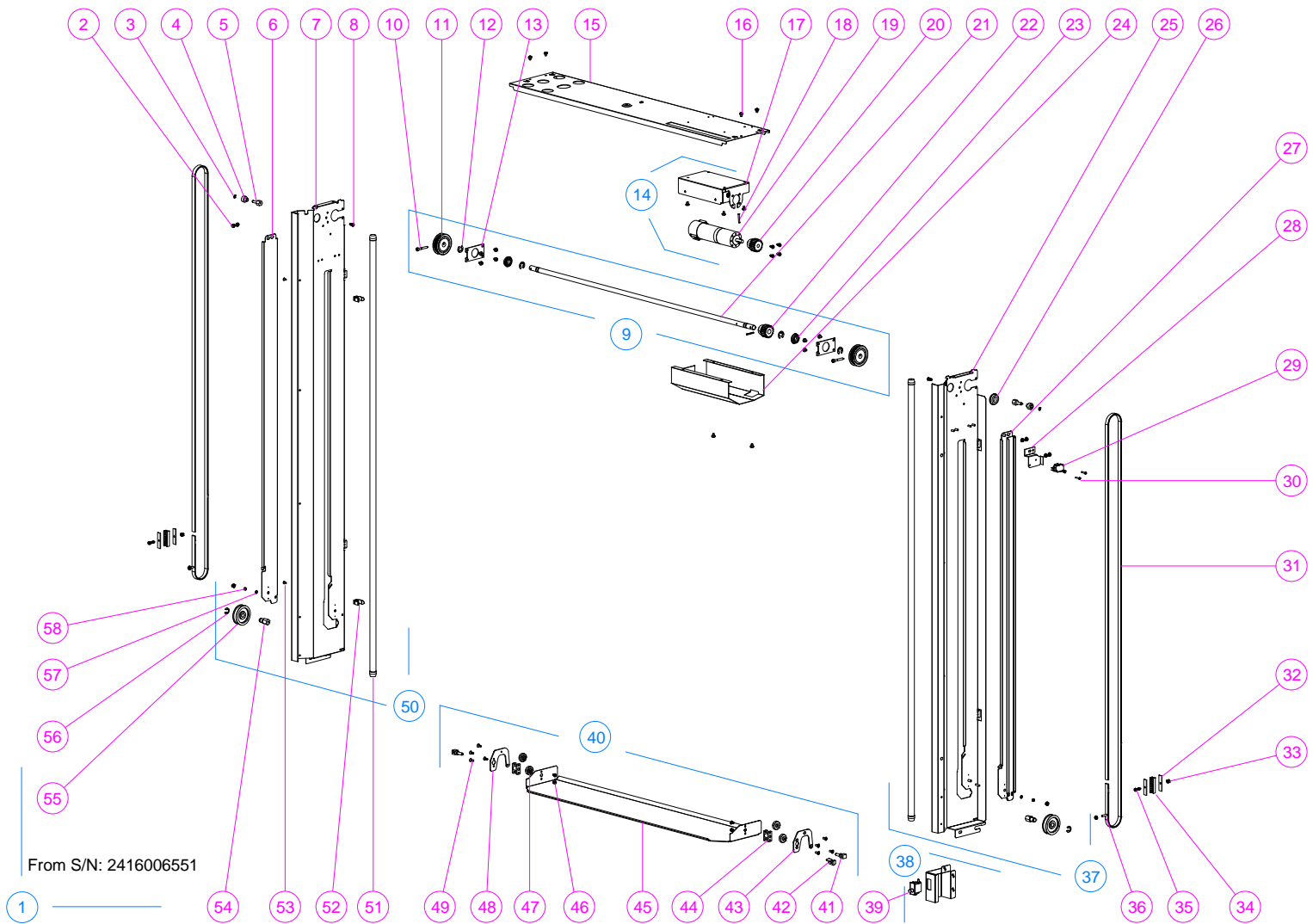


Pos	Code	Description	Serial Number Nota
1	143055	KIT SYNCHRO SPIRAL	
2	407735	GEARED MOTOR	
3	143057	SYNCHRO SPIRAL HARNESS	2 with the kit p/n 143055
4	143058	BOARD ASSEMBLY	
5	139254	DRAWER HARNESS	
6	401367/2	STOP PRODUCT ROD	



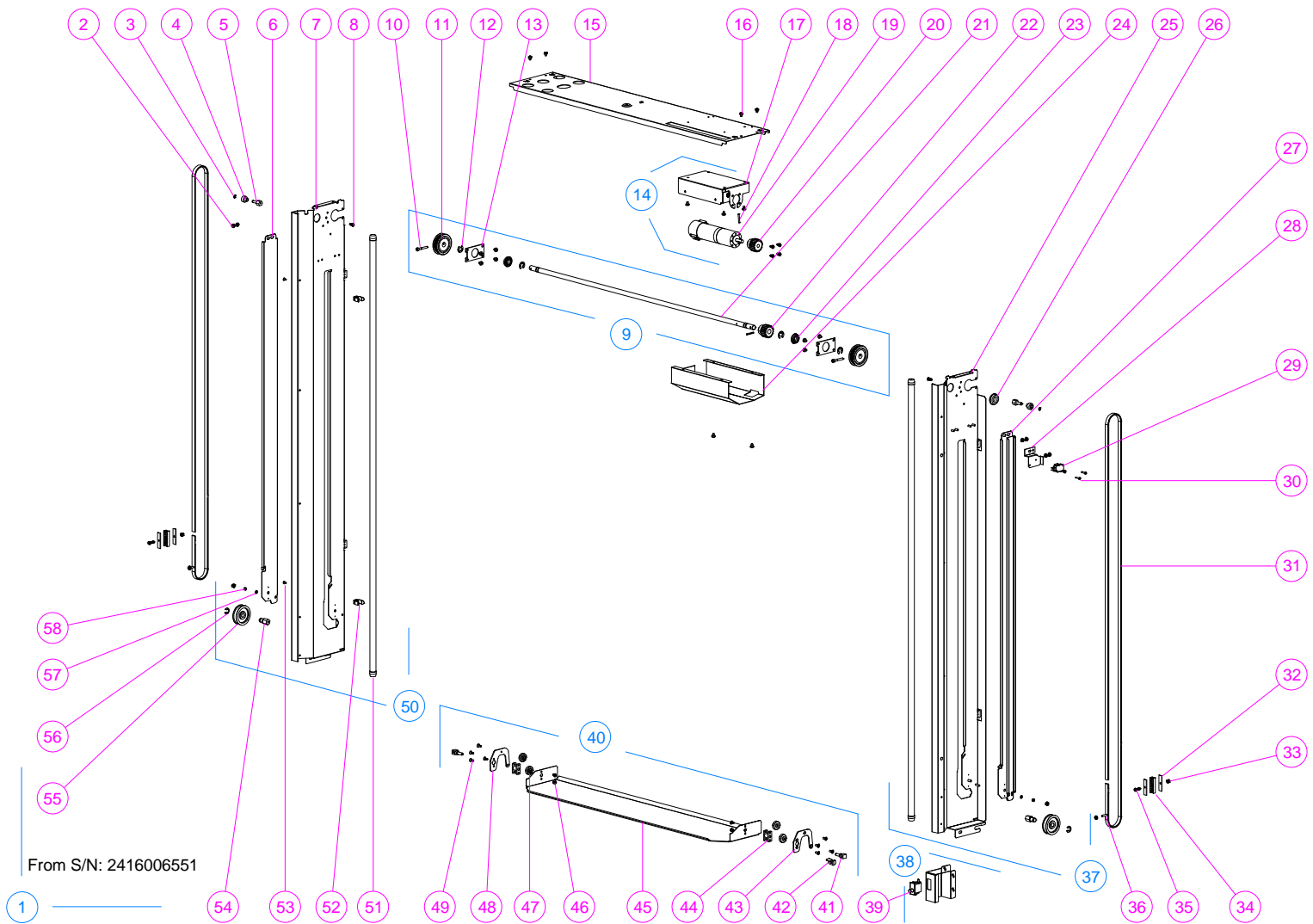


Pos	Code	Description	Serial Number Nota
1	142957	DOUBLE LED LIGHTING ASSY	
2	143002	HS6 LH LED ASSEMBLY	
3	143002/1	HS6 RH LED ASSEMBLY	
4	402698	CLIP Ø16	
5	333097/2	POP RIVET	
6	407742/4	LED TUBE 1200mm	
7	406899	PANEL RETAINER BRKT	
8	411143	LH LED SUPPORT W/O LIFT	
9	408139	LH DEFLECTOR	
10	408139/1	RH DEFLECTOR	
11	411143/1	RH LED SUPPORT W/O LIFT	



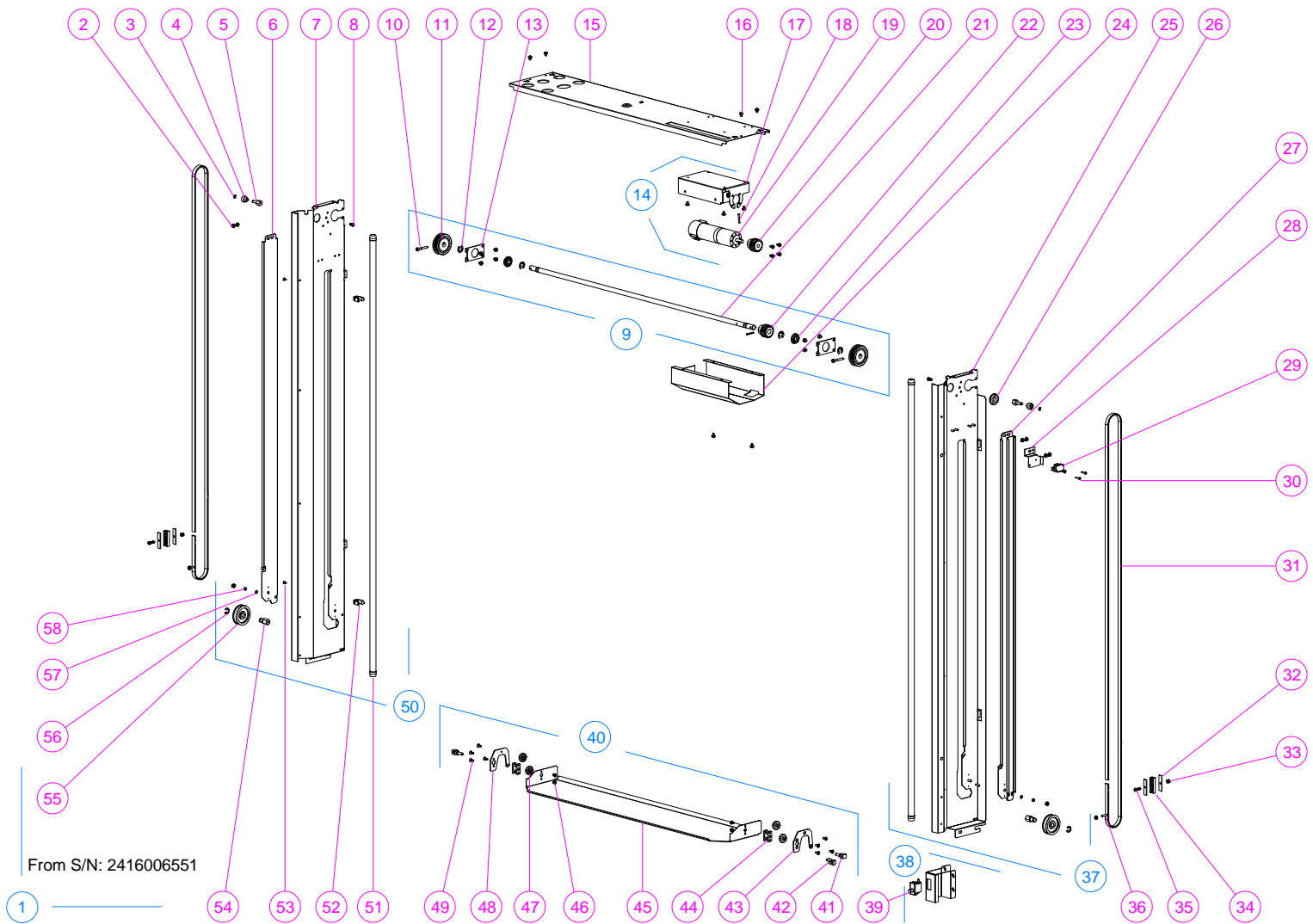
From S/N: 2416006551

Pos	Code	Description	Serial Number Nota
1	142935	HS8 ELEVATOR KIT	
2	398224/1	NUT, FLANGED 4MA MILLED	
3	381442/2	SEEGER Ø4	
4	406209	NEEDLE-ROLLER BELT	
5	406208/1	BELT GEAR PIN	
6	143645	LH GUIDE SUPPORT WELD ASSY	
7	143513	LH SIDE ELEVATOR RIVET ASSY	
8	371110/1	SCREW, TC+4MAX10	
9	143683	TRANSMISSION-SHAFT ASSY	
10	399747	SCREW TCEI 4MAX30	
11	412349	PULLEY AT5 Z30	
12	375844	SEEGER	
13	406922	BALL BEARING PLATE	
14	140772	ELEVATOR MOTOR ASSY	
15	412401	ELEVATOR UPPER SPACER	0000000000 - 2416006665
15	413385/2	ELEVATOR UPPER SPACER	2417007539 - ZZZZZZZZZZ
16	V800569	SCREW TC+ 4,8x6,5	
17	406019	CROUZET MOTOR SUPPORT	
18	381436/6	SPRING PIN 3x25	
19	406032/1	ELEVATOR MOTOR	
20	406695	TOOTHED WHEEL	



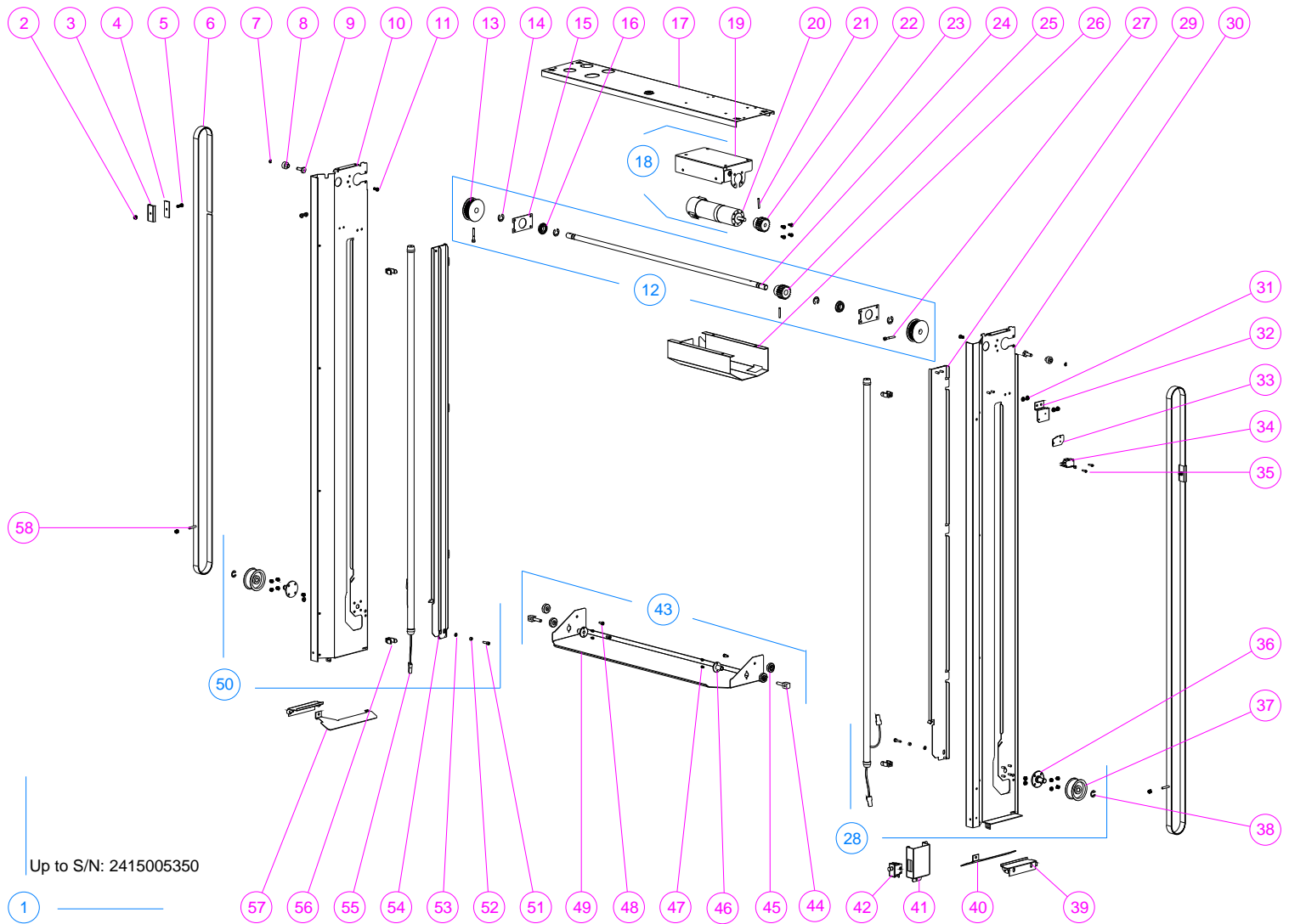
From S/N: 2416006551

Pos	Code	Description	Serial Number Nota
21	412438	TRANSMISSION - SHAFT	
22	406696	TOOTHED WHEEL Z20 M1.5	
23	408170	BALL BEARING	
24	406840	MOTOR COVER	
25	143513/1	ELEVATOR RH SIDE RIVET ASSY	
26	482935	THREAD PVC BLACK	
27	143645/1	RH GUIDE SUPPORT WELD ASSY	
28	412649	UPPER SWITCH SUPPORT	
29	392061	SWITCH AH715658	
30	381603/3	SCREW TC+2,9X16	
31	412246	BELT 10AT5 2302.5HP	
32	412306	JOINT PARTION PLATE	
33	390058/1	SELF STOPPING NUT 4MA HIGH	
34	412305	JOINT TOOTHED BELT PARTION PLATE	
35	371110/2	SCREW, TC+ 4MAX16	
36	386368/1	SELF HOOKING STUD PFH 4MAX20	
37	143644/1	RH SIDE ASSEMBLY	
38	141091	SAFETY SWITCH SUPPORT	
39	396017	RESET SWITCH	
40	143684	ELEVATOR TRAY ASSEMBLY	
41	412245	PIN	



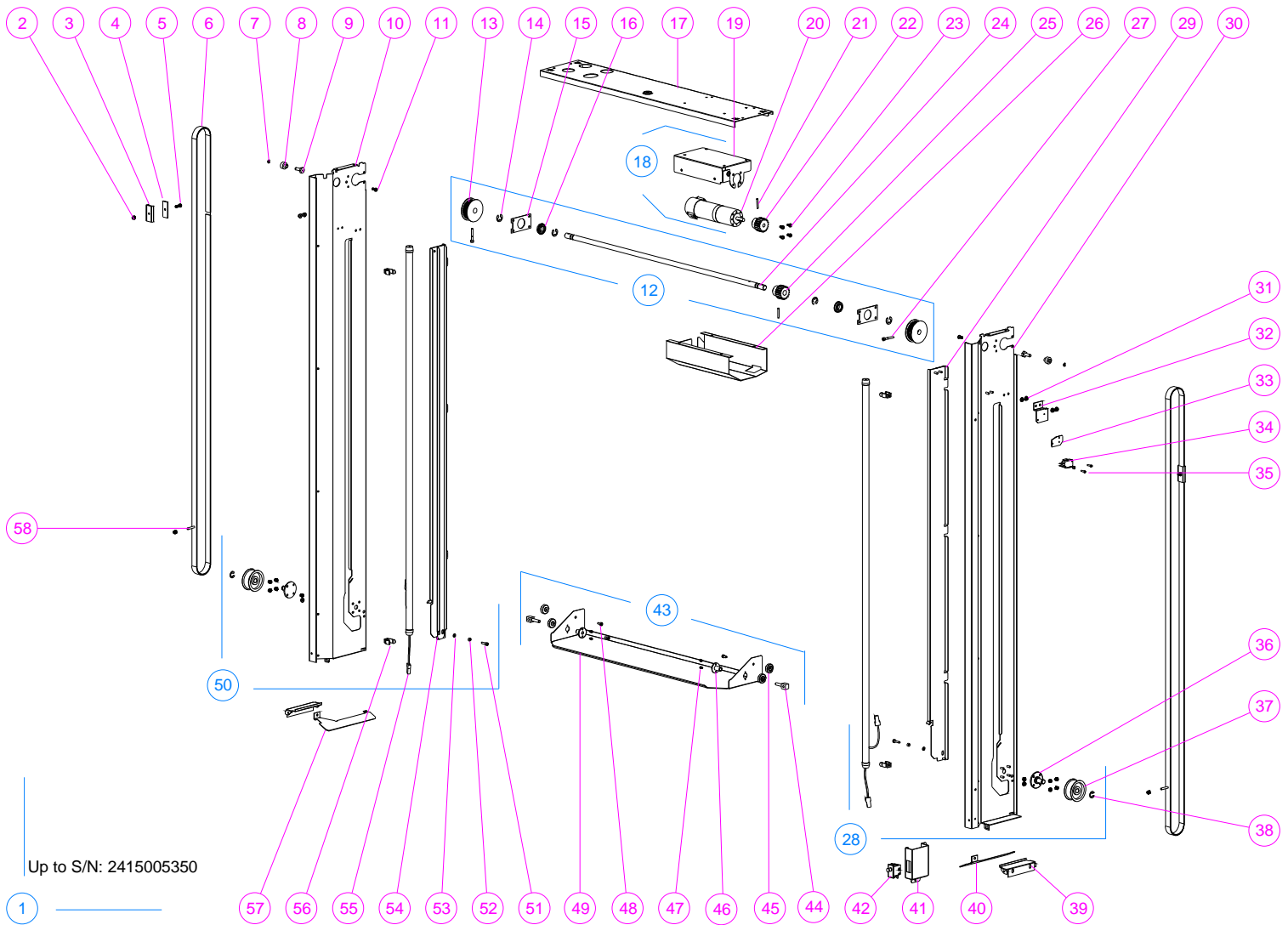
From S/N: 2416006551

Pos	Code	Description	Serial Number Nota
42	412650	UPPER SWITCH ACTUATOR	0000000000 - 2416006665
43	412247/1	RH BALL BEARING PLATE	
44	412244	BUSHING	
45	412387/1	ELEVATOR TRAY	
46	371110/9	SCREW, TC+4MAX6	
47	401526	SCH -29-1821 BALL BEARING	
48	412247	LH BALL BEARING PLATE	
49	403286	SCREW TSP+ 4MAX10	
50	143644	LH SIDE ASSEMBLY	
51	407742/4	LED TUBE 1200mm	
52	402698	CLIP Ø16	
53	333097/3	RIVET 3,2X7	
54	412243	RETURN PULLEY PIN	0000000000 - 2416006665
54	413383	RETURN PULLEY PIN	2417007539 - ZZZZZZZZZZ
55	412242	RETURN PULLEY	
56	381442/1	SEGER Ø8	
57	412040	FLAT WASHER 4X8X0.7 INOX	
58	386067	SPACER 5X7X3,9	



Up to S/N: 2415005350

Pos	Code	Description	Serial Number Nota
1	142915	LED ELEVATOR ASSY	0000000000 - 2415005350
1	143682	LED ELEVATOR ASSY	2416006551 - ZZZZZZZZZZ for detail see new elevator kit page
2	390058/1	SELF STOPPING NUT 4MA HIGH	
3	408650	JOINT TOOTHED BELT PARTION PLATE	
4	408651	JOINT PARTION PLATE	
5	371110/2	SCREW, TC+ 4MAX16	
6	411121	BELT 16AT5 2302.5HP	
7	381442/2	SEEGER Ø4	
8	406209	NEEDLE-ROLLER BELT	
9	406208	PIN NEEDLE-ROLLER BELT	
10	142919/1	ELEVATOR LH SIDE RIVET ASSY WITH LED	
11	371110/1	SCREW, TC+4MAX10	
12	140885	TRANSMISSION-SHAFT ASSY	
13	406733	PULLEY T5 Z30	
14	375844	SEEGER	
15	406922	BALL BEARING PLATE	
16	408170	BALL BEARING	
17	406894	ELEVATOR UPPER SPACER	
18	140772	ELEVATOR MOTOR ASSY	
19	406019	CROUZET MOTOR SUPPORT	
20	406032/1	ELEVATOR MOTOR	

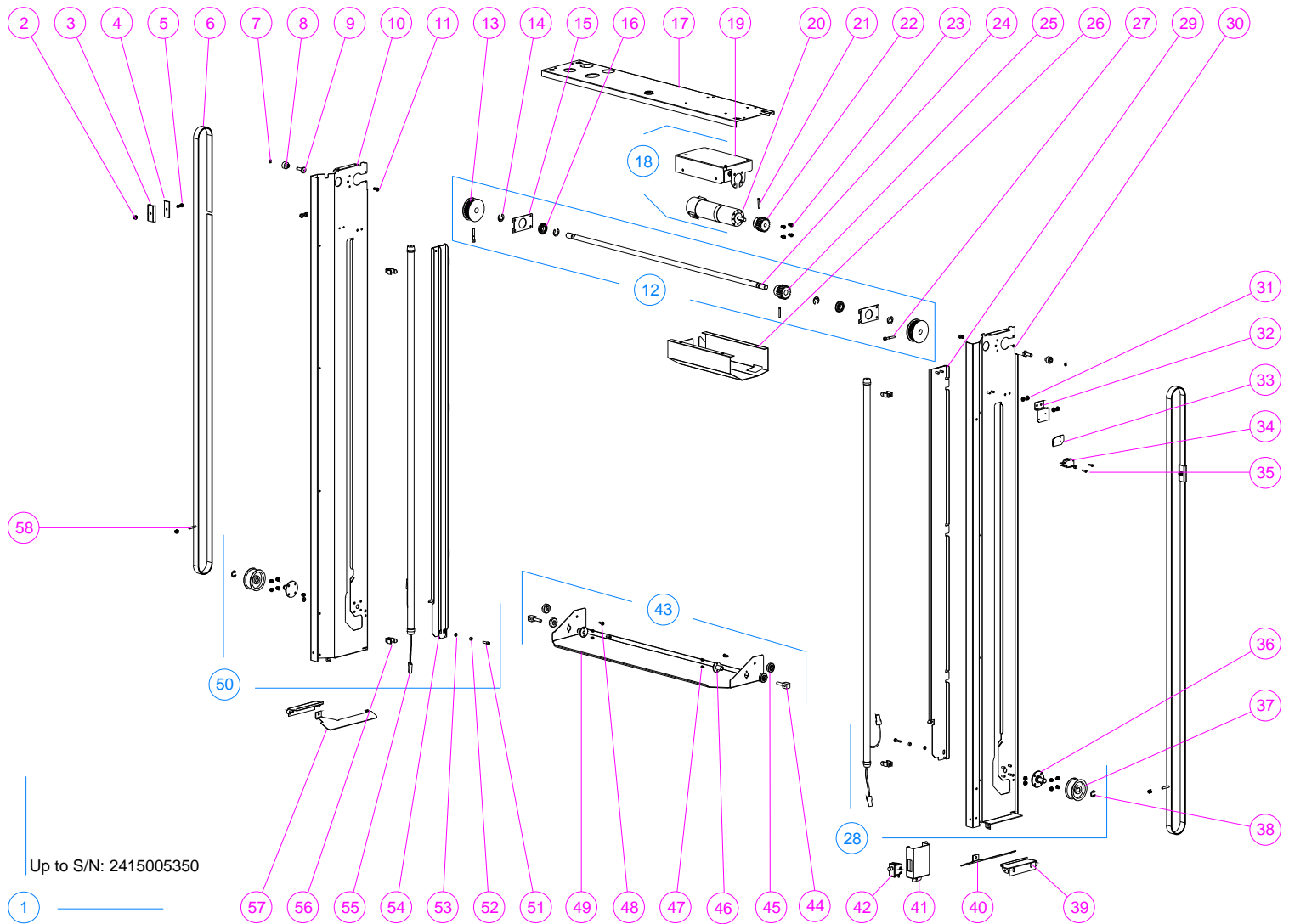


Up to S/N: 2415005350

1 \_\_\_\_\_

Pos	Code	Description	Serial Number Nota
21	381436/6	SPRING PIN 3x25	
22	406695	TOOTHED WHEEL	
23	V800570	SCREW T1+4,8X9,5 S.POINT	
24	406229	TRANSMISSION - SHAFT	
25	406696	TOOTHED WHEEL Z20 M1.5	
26	406840	MOTOR COVER	
27	399747	SCREW TCEI 4MAx30	
28	142916	RH SIDE ASSEMBLY	
29	142917	RH GUIDE SUPPORT WELD ASSY	
30	142919	ELEVATOR RH SIDE RIVET ASSY	
31	398224/1	NUT, FLANGED 4MA MILLED	
32	406878	UPPER SWITCH SUPPORT	
33	340025	INSULATOR	
34	392061	SWITCH AH715658	
35	381603	SCREW 2,9x13	
36	408585	RETURN PULLEY PIN	
37	408587	RETURN PULLEY	
38	381442/1	SEEGER Ø8	
39	407667	ELEVATOR SUPPORT	
40	408139/1	RH DEFLECTOR	
41	407234	SWITCH SUPPORT	

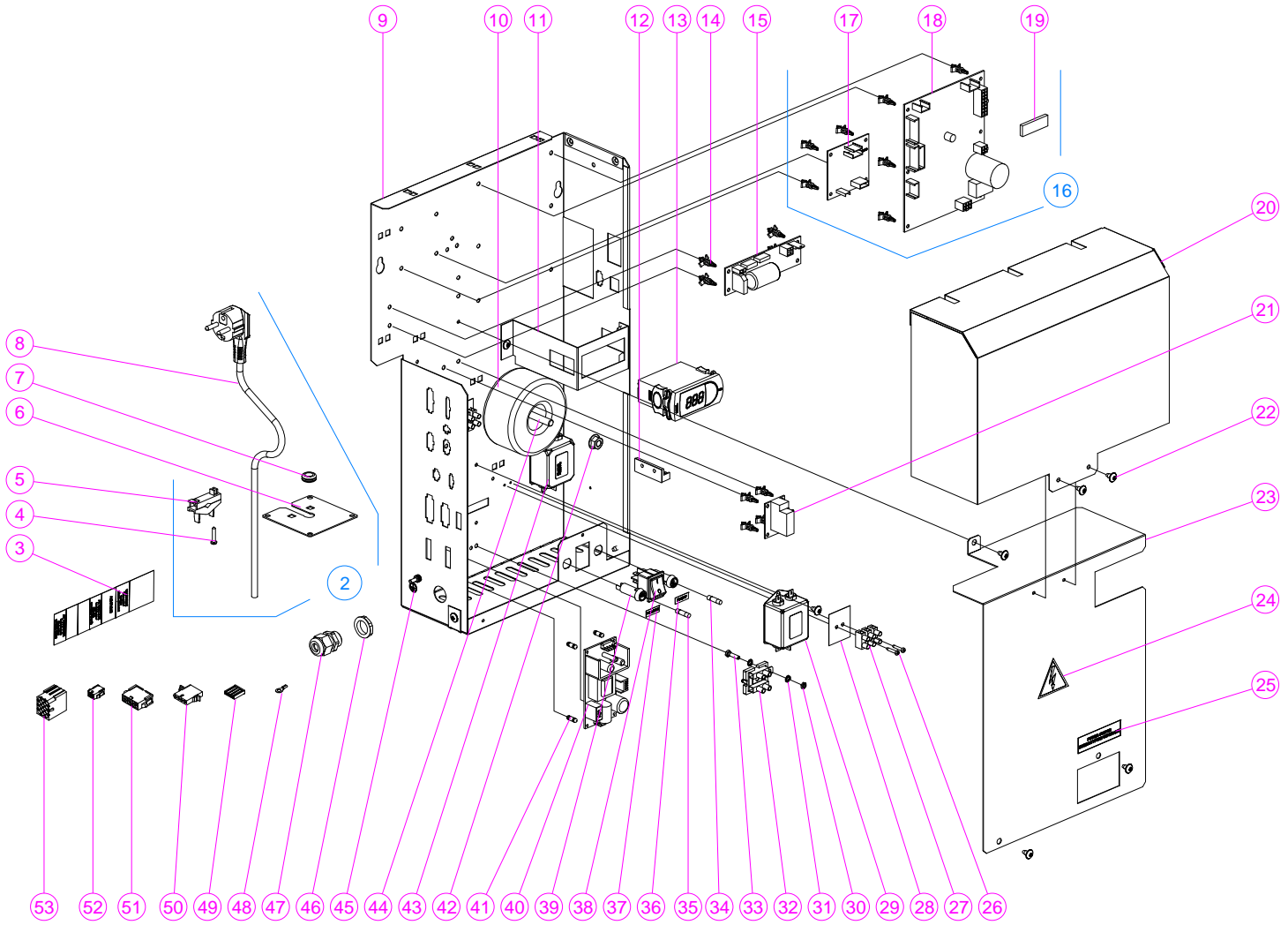
 000000000 -  
2217006998



Up to S/N: 2415005350

Pos	Code	Description	Serial Number Nota
41	411910	SWITCH SUPPORT	2218007688 - ZZZZZZZZZZ
42	396017	RESET SWITCH	
43	141619	ELEVATOR TRAY ASSEMBLY	
44	408586	JOINT PIN	
45	401526	SCH -29-1821 BALL BEARING	
46	408583	BUSHING	
47	381603/4	TAPPING SCREW 2,9x6,3	
48	398128/2	SCREW TCEI 4MAx8	
49	408135	ELEVATOR TRAY	
50	142922	LH SIDE ASSEMBLY	
51	398128/3	SCREW TCEI 4MAx15	
52	386067	SPACER 5X7X3,9	
53	V801440	WASHER	
54	142917/1	LH GUIDE SUPPORT WELD ASSY	
55	407742/4	LED TUBE 1200mm	
56	402698	CLIP Ø16	
57	408139	LH DEFLECTOR	
58	386368/3	SELF HOOKING STUD PFH 4MAX25	

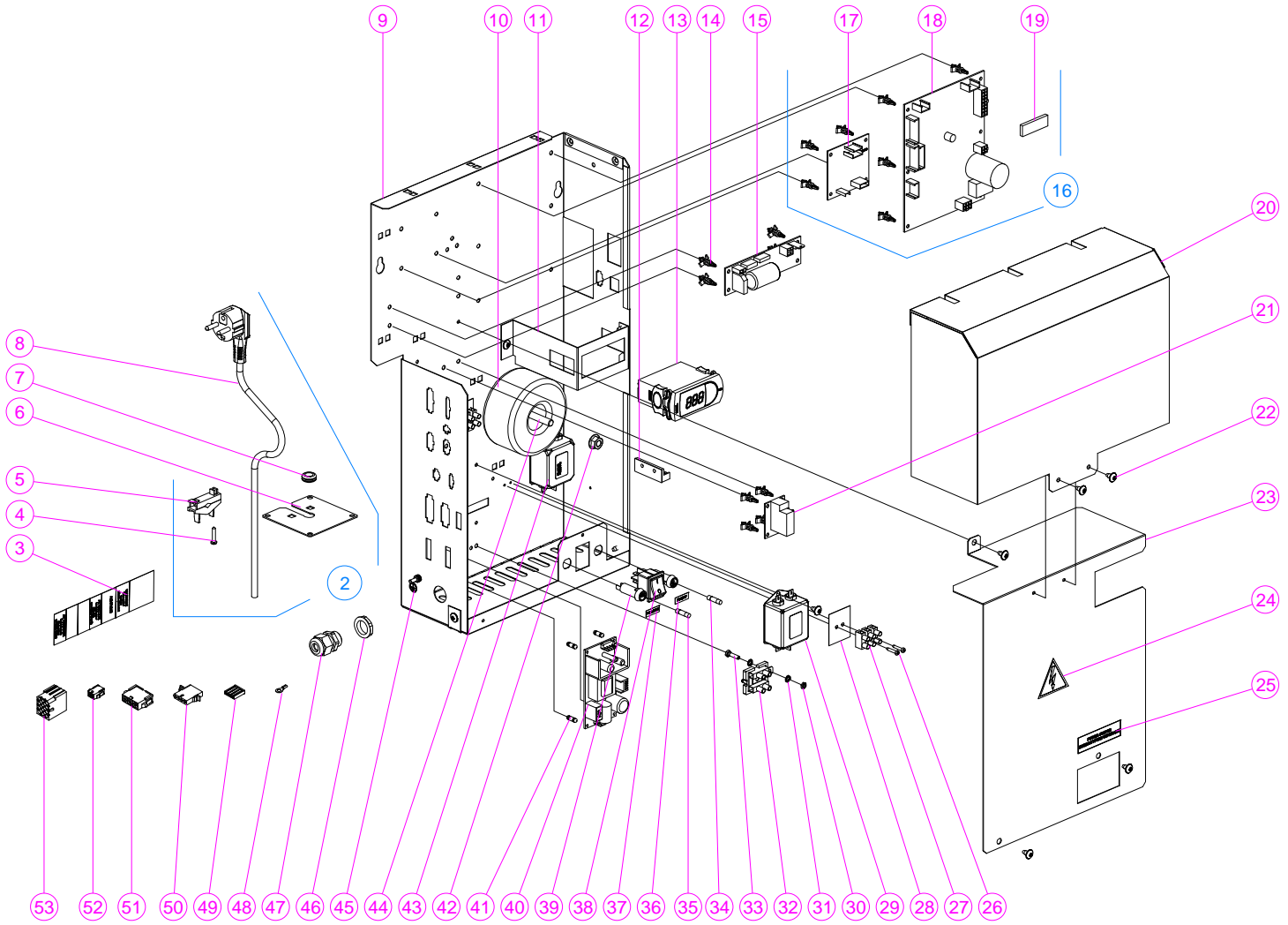
1



Pos	Code	Description	Serial Number Nota
1	144002	OD STD TRANSFORMER BOX ASSY	
1	141346/8	AUSTRALIA TRANSFORMER BOX ASSY	
2	141752	OD SERVICE CORD ASSEMBLY	Only with p/n 144002
2	141388/5	STD-AUSTRALIA SERVICE CORD ASSEMBLY	Only with p/n 141346/8
3	394950	YELLOW ATTENTION LABEL	
4	390558/1	SCREW 3,9 X 18	
5	408201	CABLE GRAND	
6	408146	SERVICE CORD PLATE	
7	408200	THREAD RING GUIDE	
8	520044/16	SERVICE CORD	Only with p/n 141752
8	408735/1	SERVICE CORD AUSTRALIA	Only with p/n 141388/5
9	407357	BOARDS - TRANSFORMER BOX	
10	401391	TRANSFORMER 230-240V / 24V	
11	407362	CONTROL UNIT SUPPORT	
12	391031	CLAMP CABLE FASTENER	
13	141758/3	OD CONTROL UNIT ASSY	Only with p/n 144002
13	141478/5	GSF CONTROL UNIT ASSY	-> Only with p/n 141346/8
14	386348	SUPPORT	
15	140969	ELEVATOR MOTOR BOARD ASSY	Not included in the assembly
15	406562	ELEVATOR MOTOR BOARD	Not included in the assembly
16	140687	ASSEMBLY BOARD SF01 MDB/EXE	Not included in the assembly

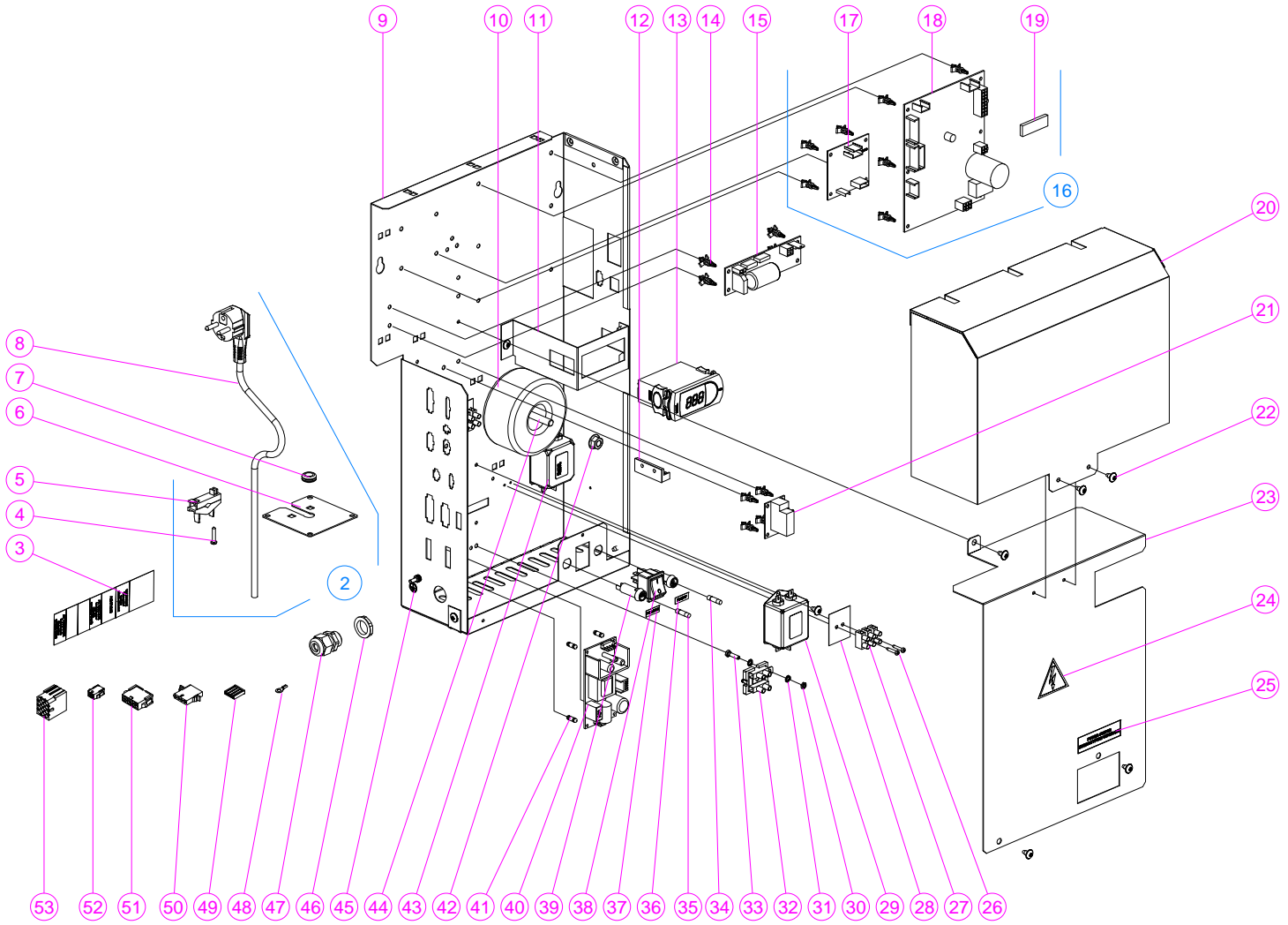


1

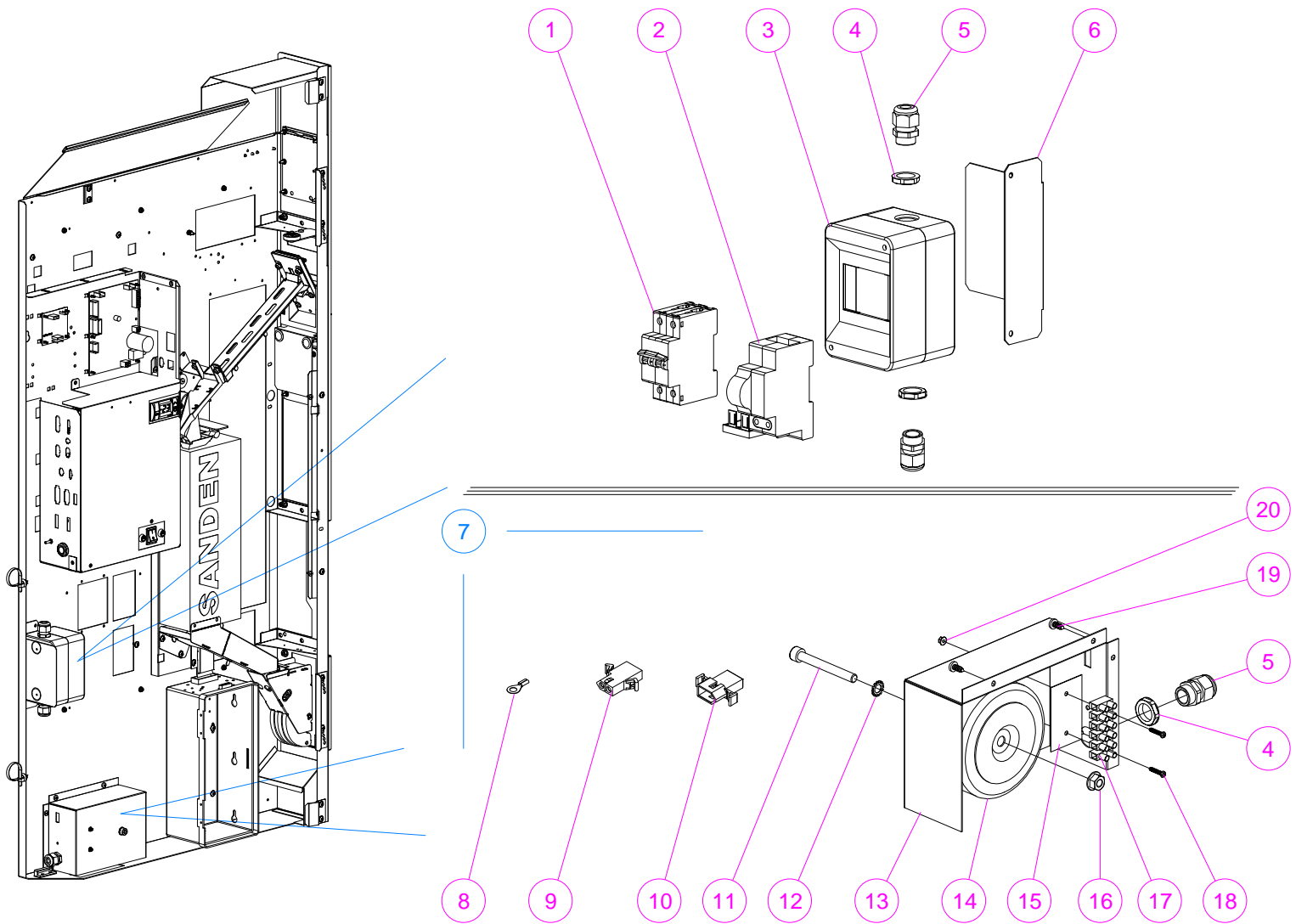


Pos	Code	Description	Serial Number Nota
17	402790	SN64 BOARD	
18	401350	SF-01 BOARD	
19	401459	EPROM M27C 40000PC-10	
20	413737	BOARD COVER	Only with 141346/8
21	407384	LED RELAY BOARD	
22	V800570	SCREW T1+4,8X9,5 S.POINT	
23	407754	BOARDS - TRANSFORMER BOX COVER	
24	391152	HIGH VOLTAGE LABEL	
25	400625	DECAL POWER SWITCH	
26	381603/9	SCREW TC+ 2,9X16 WITHOUT TIPS	
27	381954/1	TERMINAL BOARD 3 WAYS	
28	393883	INSULATOR 3 WAY	
29	386346/5	ACTRONIC FILTER	
30	381644	BRASS NUT M4	
31	V801039	WASHER	
32	391032	TERMINAL BOARD	
33	381643	BRASS BOLT M4	
34	386916/15	FUSE 5x20 8A	
35	386916/8	FUSE 5 X 20 10A	
36	393892/10	DECAL F8A (T)	
37	393892	F10A 250V DECAL	

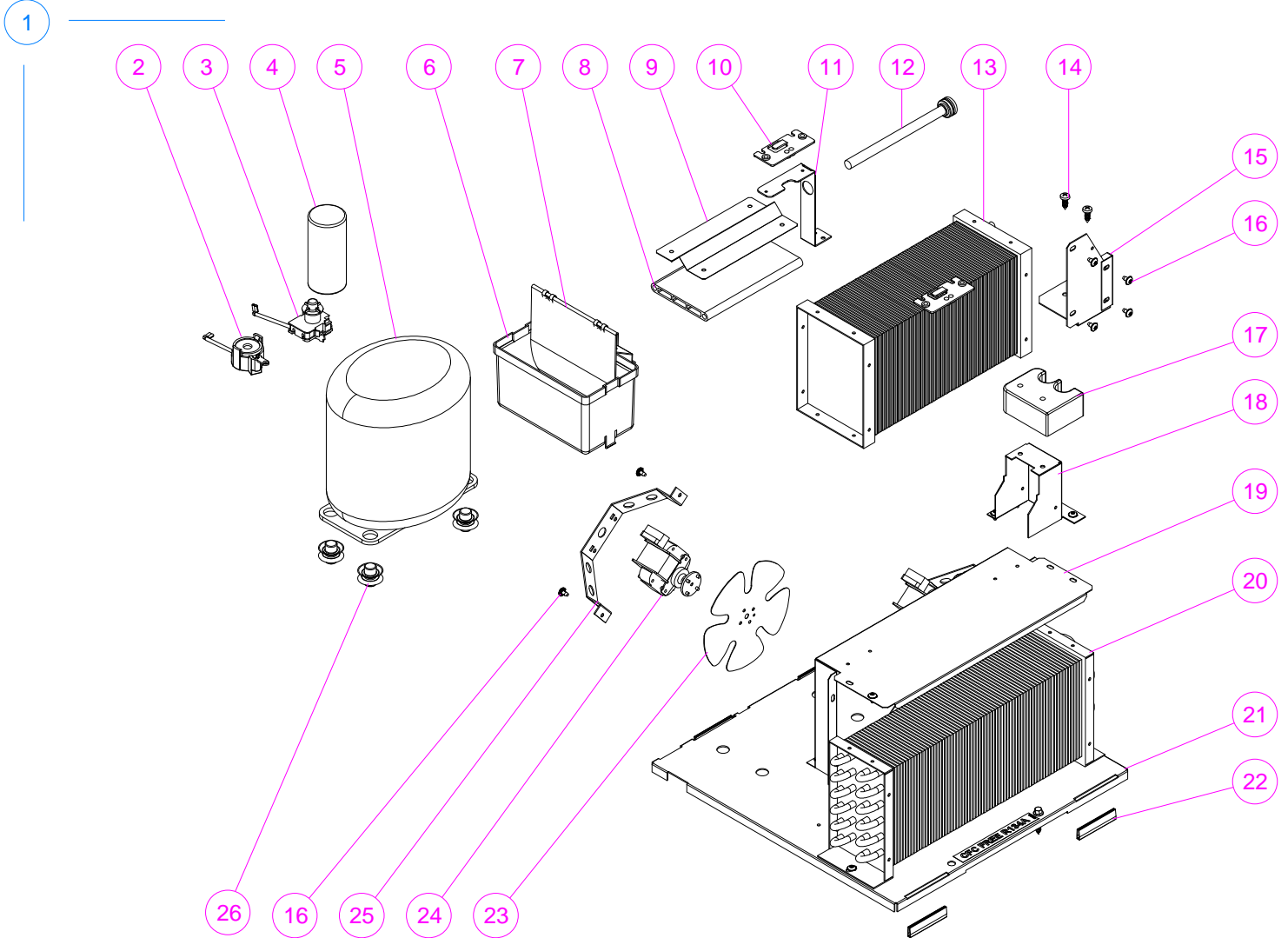
1



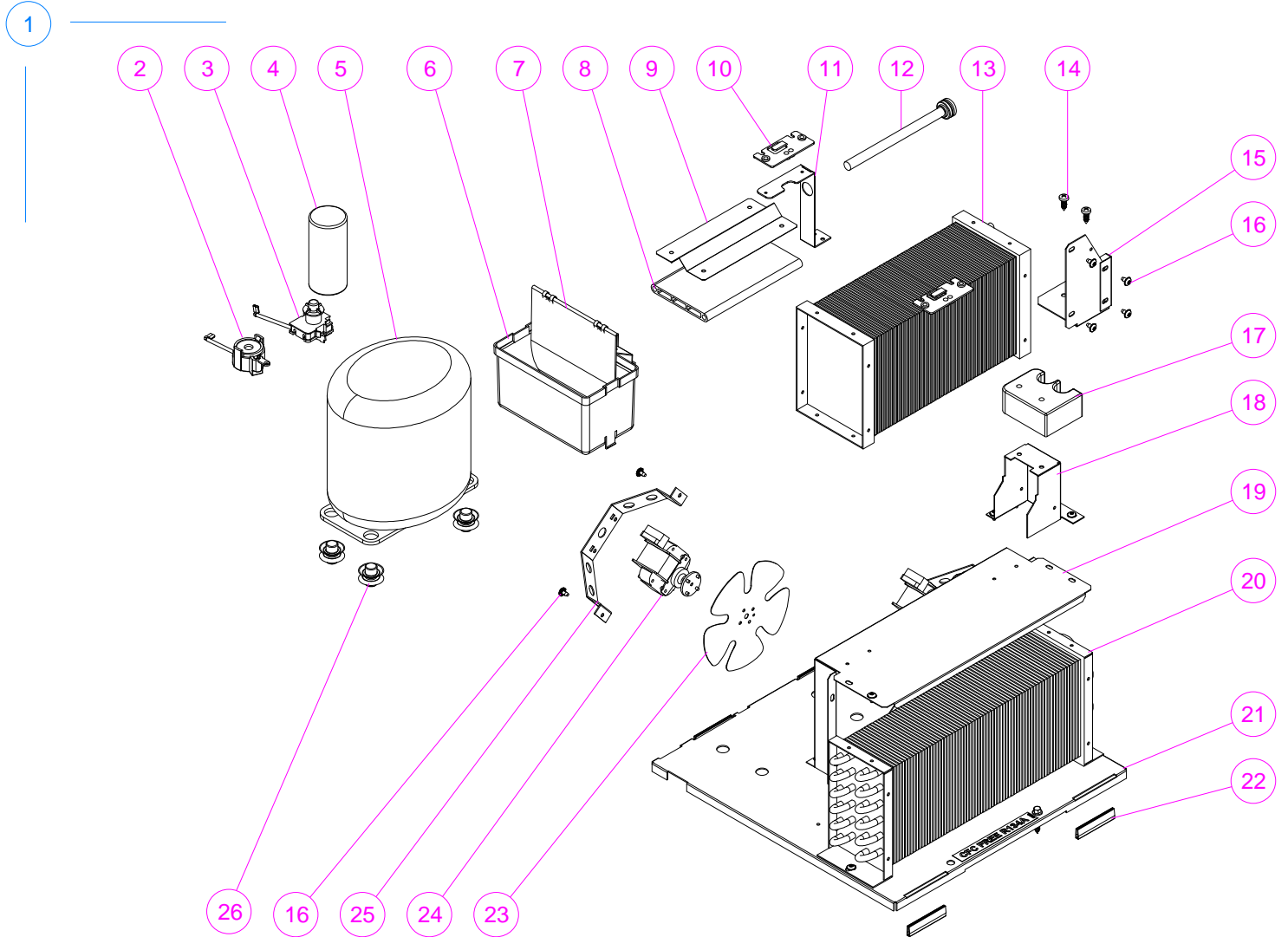
Pos	Code	Description	Serial Number Nota
38	392627	LIGHT SWITCH	
39	395158	FUSE CARRIER	
40	407743	POWER SWITCHING PS-35-24 200mV	
41	407748	MDLSP2-06M-01 SPACER	
42	398224/4	NUT M8	
43	408912	FILTER SCHAFFNER FN2060-6-06	
44	399947	SCREW TCEI 8MAX70	
45	412208	LABEL 465-0435	
46	391990/1	RING NUT 3213/B	
47	391990	CABLE LOCK HEYCO 3213	
48	143245	GROUND WIRE	
49	141005	BUS I°C HARNESS	
50	141105	OUTPUT POWER LED HARNESS	
51	141429	SF01 - BOX TRASF. HARNESS	
52	141428	BOX TRANSFORMER HARNESS / LED POWER SUPPLY	Only with p/n 141346/8
52	143999	OD TRANSFORMER BOX / CONTROL UNIT HARNESS	Only with p/n 144002
53	141427	HARNESS SUPPLY/EXECUTIVE COINAGE	Not included in the assembly



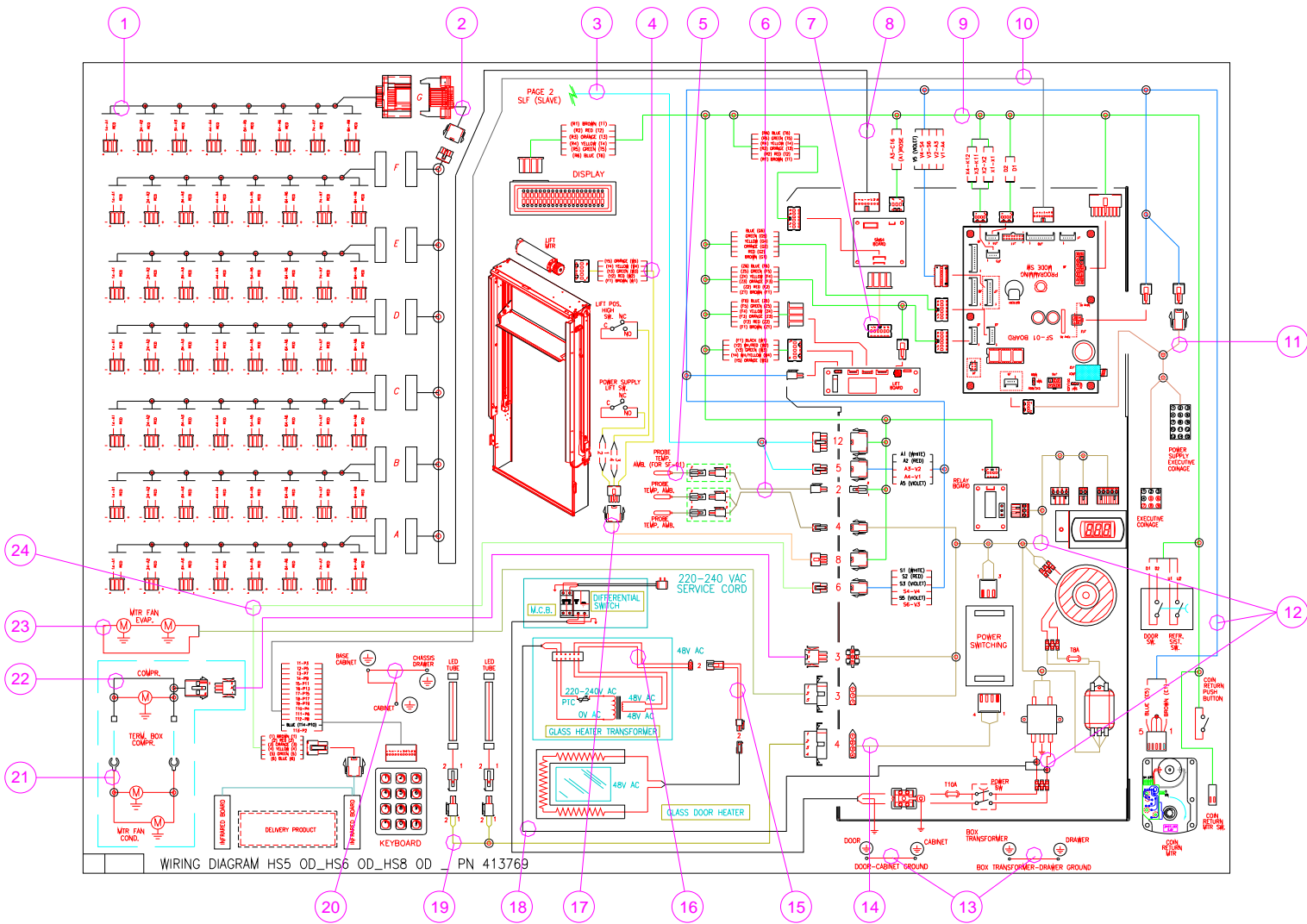
Pos	Code	Description	Serial Number Nota
1	408844	CIRCUIT BRACKER (MCB) 25A	
2	408845	RESIDUAL-CURRENT DEVICE (RCD) AC 2P32A30mA	
3	408846	MCB DISTRIBUTION BOX 4M IP40	
4	391990/1	RING NUT 3213/B	
5	391990	CABLE LOCK HEYCO 3213	
6	408812	DIFFERENTIAL SUPPORT	
7	142952	BOX TRANSFORMER ASSY	
8	142949	TRASF / RES ALIMENTATION HARNESS	
9	142950	48V OUTPUT HARNESS	
10	142951	RESISTANCE ALIMENTATION HARNESS	
11	399947	SCREW TCEI 8MAX70	
12	371114	WASHER D.E.8MA	
13	411162	BOX TRANSFORMER	
14	411160	TRANSFORMER 230V 150VA 48V	
15	393882	INSULATOR 6 WAYS	
16	398224/4	NUT M8	
17	381954	TERMINAL BOARD 6 WAYS	
18	371109/3	SCREW TC+ 3MAX16	
19	390139	SCREW	
20	398224	NUT, FLANGED 3MA MILLED	



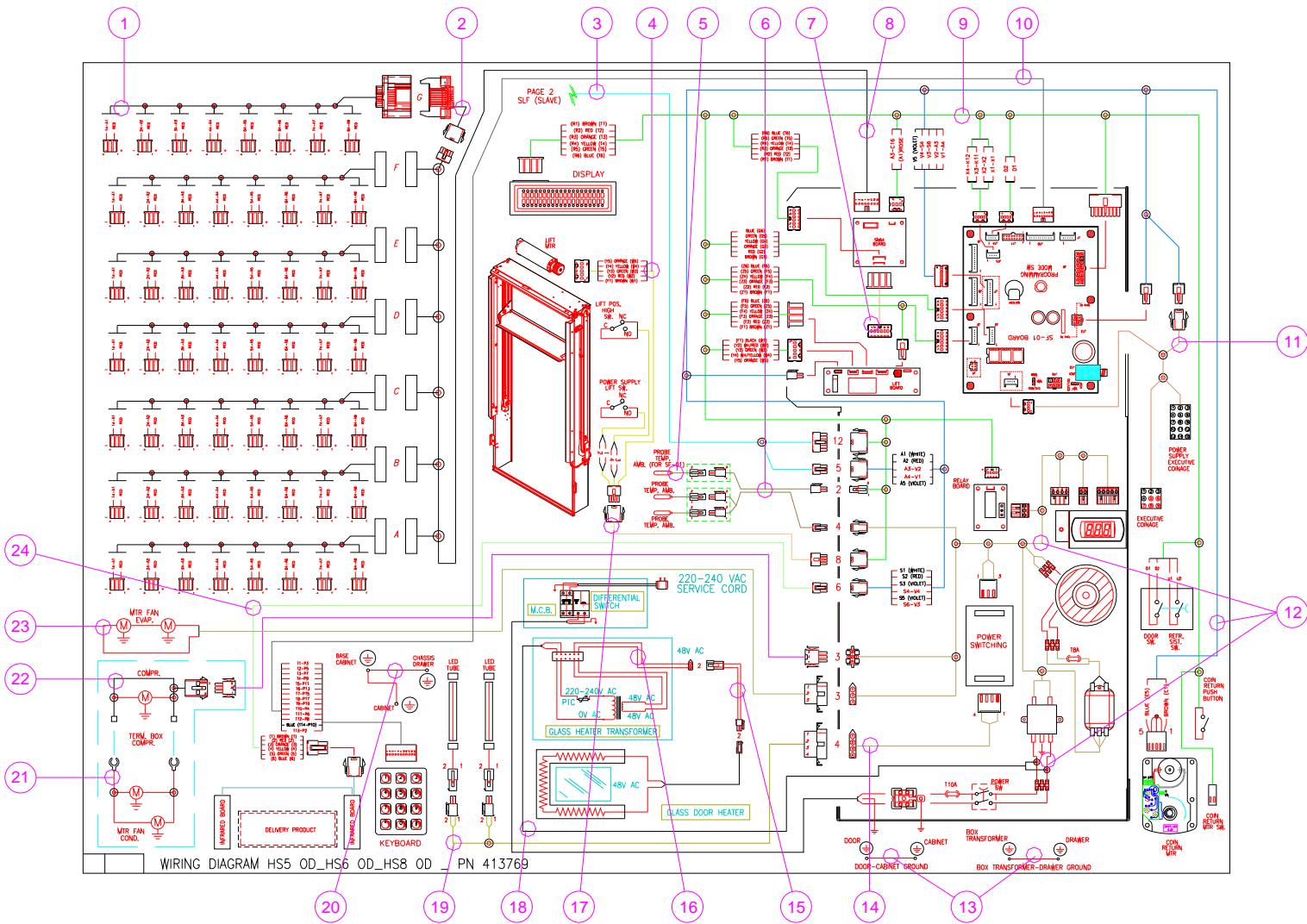
Pos	Code	Description	Serial Number Nota
1	144005	HS8 OD COOLIN UNIT INSTALLATION ASSY	
2	397274/1	OVERLOAD PROTECTION	
3	397273/1	STARTING RELAY	
4	397275/1	STARTING CONDENSER	
5	396804	COMPRESSOR NE 6210 Z 220/50	
6	411109	CONDENSER BOX	
7	138766/1	ASSORBENT ASSY	
8	397754/4	HINGE BAR 170 mm	
9	412524	DISSIPATOR SUPPORT	
10	404450	PROBE SUPPORT	
11	412752	SUPPORT RESISTANCE WIRED	
12	402575/2	SELF-RESISTANCE TYPE 3	
13	406941	EVAPORATOR	
14	V800876	SCREW 6,3X19	
15	407539	CONDENSER SUPPORT	
16	V800570	SCREW T1+4,8X9,5 S.POINT	
17	405214	BUFFER IN PLASTIC WITH TWO CAVE	
18	411098	EVAPORATOR VERTICAL SUPPORT	
19	407115	CONDENSER AIR CONVEYOR	
20	406909	CONDENSER	
21	411077	REFRIGERANT SYSTEM BASE	



Pos	Code	Description	Serial Number Nota
22	386430/24	U WHITE PROFILE MM.65	
23	391591/3	SUCTION ALUMINIUM FAN BLADE	
24	391590/4	FAN MOTOR 220V C.20	
25	391523/2	MOTOR FAN BRACKET	
26	393885	SHOCK ABSORBER COMPRESSOR	

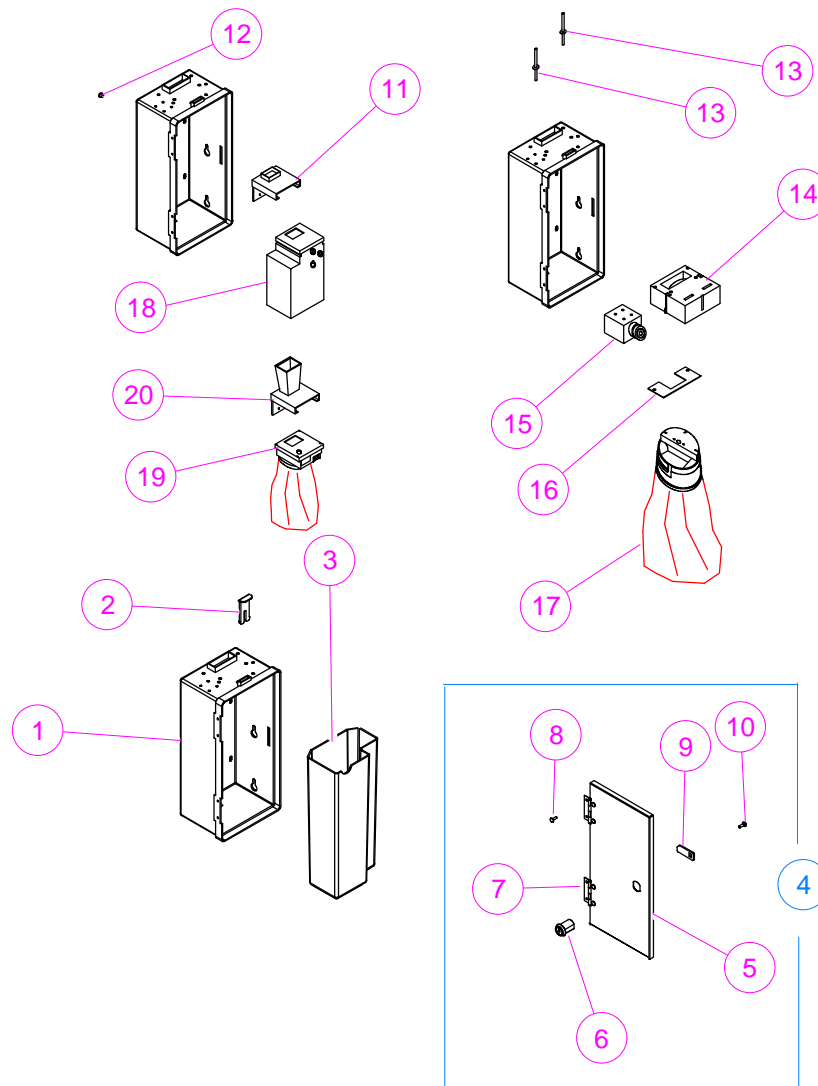


Pos	Code	Description	Serial Number Nota
1	139254	DRAWER HARNESS	
2	141425	7° DRAWER HARNESS	
3	141344	SLAVE / BOX TRANSFORMER HARNESS	
4	143033	MICRO-SWITCH / ELEVATOR HARNESS	
5	141222	WIRED PROBE	
6	141249	PROBES HARNESS	
7	141005	BUS I <sup>2</sup> C HARNESS	
8	140670	SN64 / DRAWERS HARNESS	
9	141429	SF01 - BOX TRASF. HARNESS	
10	140976	HARNESS SF01-KEY PAD STD	
10	139174	HARNESS SF01-KEY PAD SCI + STD NEW	
11	141427	HARNESS SUPPLY/EXECUTIVE COINAGE	
12	143999	OD TRANSFORMER BOX / CONTROL UNIT HARNESS	
13	143245	GROUND WIRE	
14	141105	OUTPUT POWER LED HARNESS	
15	142951	RESISTANCE ALIMENTATION HARNESS	
16	142950	48V OUTPUT HARNESS	
17	140953	BOX TRANSFORMER / ELEVATOR HARNESS	
18	142949	TRASF / RES ALIMENTATION HARNESS	
19	141103	BOX TRANSFORMER / LED HARNESS	
20	143372	GROUND WIRE (DOUBLE)	



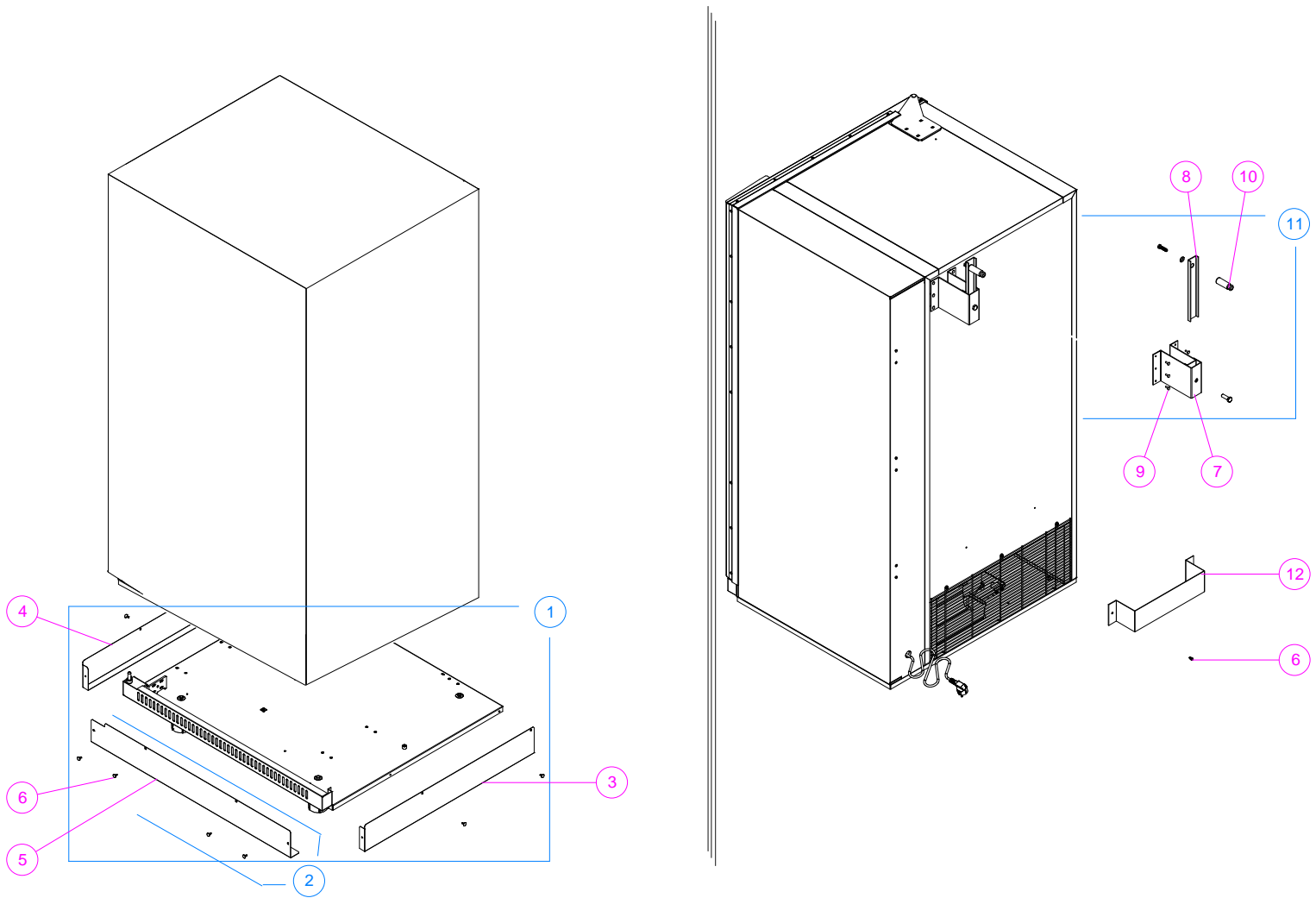
Pos	Code	Description	Serial Number Nota
21	139911	FAN MOTORS - CONDENSER HARNESS	
22	140522	COMPRESSOR HARNESS	
23	140962	EVAPORATOR MOTOR-FAN HARNESS	
24	140526	MASTER OPTICS BARRIER COMMUNICATION HARNESS	



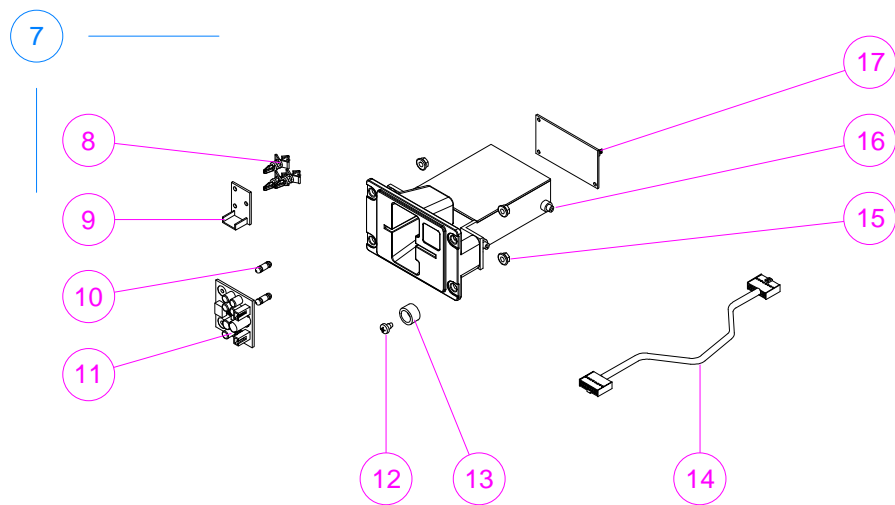
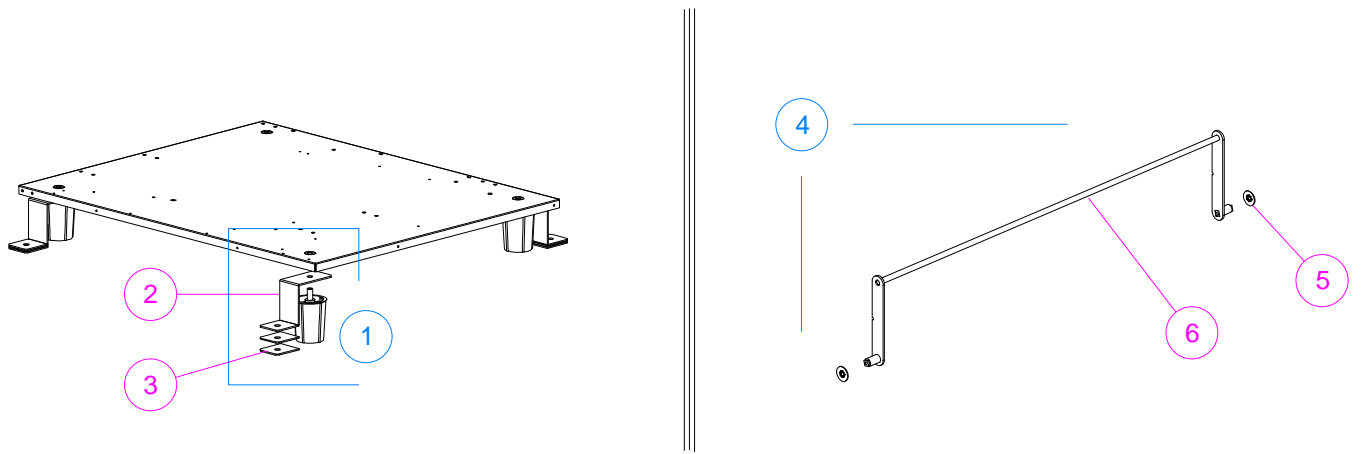


Pos	Code	Description	Serial Number Nota
1	400771	PLASTIC BOX	
2	400773	KEY	
3	400772	COIN BOX	
4	138546	LOCK WITH DOOR ASSY	
5	401075	FLAP DOOR	
6	123785...	LOCK WITH KEYS	Pls. Specify lock / key code
7	395336	HINGE	
8	333097/2	POP RIVET	
9	391404	LOCK LEVER	
10	371110/12	TAPPING SCREW M4x12	
11	401255	SAFEGUARD FUNNEL	
12	V800569	SCREW TC+ 4,8x6,5	
13	333097/2	POP RIVET	
14	391641...	HONOR GARD COIN BAG SUPPORT	Pls. specify code or customer name
15	391642...	HONOR GARD LOCK	Pls. specify code or customer name
16	401250	PLATE H.G.	
17	391640...	HONOR GARD BAG	Pls. specify code or customer name
18	395159...	SAFEGUARD COIN BOX	Pls. specify code or customer name
19	397755...	SAFER SYSTEMS COIN BAG	Pls. specify code or customer name
20	401256	SAFER SYSTEMS FUNNEL	





Pos	Code	Description	Serial Number Nota
1	141361/2	FEET COVER ASSY GSF	
2	141629	FRONT COVER KIT	
3	408084/1	SIDE COVER RH	
4	408084	SIDE COVER LH	
5	408142	FEET FRONT COVER GSF	
6	V800570	SCREW T1+4,8X9,5 S.POINT	
7	130461/1	BRKT REAR WELD ASSY	
8	386460	BRKT FOR OUT DOOR	
9	333097/2	POP RIVET	
10	391598	INSERT	
11	135078/1	KIT FIXING ON THE WALL	
12	141141	REAR SPACER KIT	



Pos	Code	Description	Serial Number Nota
1	139218/1	KIT FASTEN TO FLOOR	
2	408028	FASTEN TO FLOOR BRKT	
3	407994	THICKNESS	
4	141740	KIT PASTA BOX 8	
5	334655	WASHER	
6	141739	DELIVERY EYELET PIVOT WELD ASSY	
7	141190/2	AGECONTROL CARD READER KIT	
8	386348	SUPPORT	
9	407625	OPTOISOLATED INTERFACE BOARD	
10	407748	MDLSP2-06M-01 SPACER	
11	408457	ALIMENTATION BOARD 5V DC	
12	V800565	SCREW T1+4,2X6,5 S.POINT	
13	390962	PLASTIC SPACER	
14	141580	TRANSFORMER BOX HARNESS/AGE READER	
15	398224/1	NUT, FLANGED 4MA MILLED	->
16	407840	BADGE READER 16 YEAR	
17	407839	INTERFACE CARD	

REV.	DATA REV.	ECRN	DISEGNI REVISIONATI	PAGINA
REV.	REV. DATE	ECRN	REVISION	PAGE
REV.	DATE REV.	ECRN	DESSIN REVISÉ	PAGE
REV.	DATUM REV.	ECRN	ÄNDERUNG	SEITE
000	04/06/2015		Creation manual of spare parts	
001				
002				
003				
004				
005				
006				
007				
008				
009				
010				