

SPARE PARTS CATALOGUE

SPARE PARTS CATALOGUE

SOLIS-26 EEC



SONALIKA INTERNATIONAL

The fifth column "**Qty**" represents the quantity of the part used in that assembly.

In the sixth column "**Remarks**" represents the any special comment for that part.

In the seventh column "**Interchangeability**" represents parts interchangeability concept.

The last column "**Cut Off**" represents the chassis number of the tractor from which the part is used.

INTERCHANGEABILITY CONCEPT:-

As improvement is a continuous process in order to give the best performance from your tractor changes are done in the components. In order to facilitate our customers that whether the previous part can be replaced with the new one or not, coding is done for this purpose.

e.g

10002341AA (Reference /Part Number)

10002341AB

10002341AC

If the first alphabet of the part i.e "A"(10002341AA) does not change and second alphabet change then as in part 10002341AB from "A" to "B" then the parts are interchangeable i.e any one of them can be used. Better is to use the last revision i.e the latest revision means this is better version of the same part.

And if first alphabet of the part i.e "A"(10002341AA) changes from "A" to "B" (10002341BA) then it means both can not be interchanged whenever the first letter changes its interchange with the previous revision vanishes.

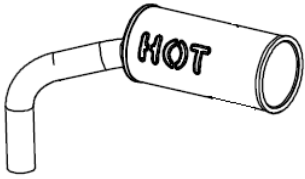
HOW TO ORDER PARTS:-

When ordering parts, contact your nearest International Tractor Limited Stockiest / Company giving them the following information:-

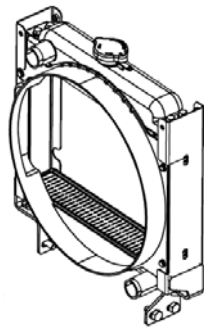
1. Your purchase Order No. & Date
2. Complete address for sending the Invoice G.R & parts.
3. Tell how you want your parts to be sent (Transport/Courier/By hand)
4. Correct Part Numbers and Description. Use this parts catalogue for reference.
5. Models and Serial Number of Tractor.

EVERY EFFORT IS MADE TO ENSURE THAT INFORMATION CONTAINED IN THIS SPARE PARTS CATALOGUE IS CORRECT TILL 1ST JUN,2014 BUT DUE TO CONTINUOUS DEVELOPMENTS, THE MANUFACTURER RESERVES THE RIGHT TO ALTER THE INFORMATION CONTAINED IN THIS CATALOGUE WITHOUT PRIOR NOTICE.

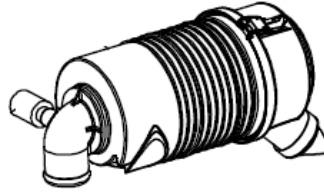
ORGAN



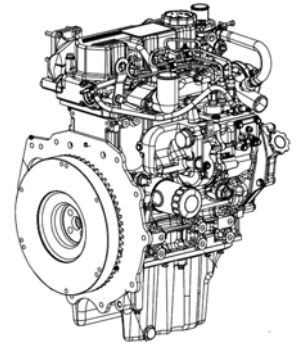
MUFFLER
ASSY.(01)



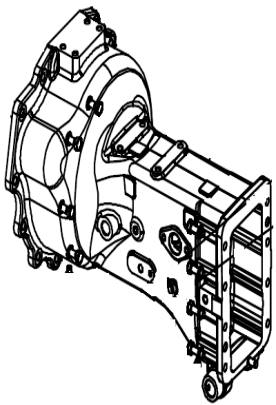
RADIATOR ASSY (02)



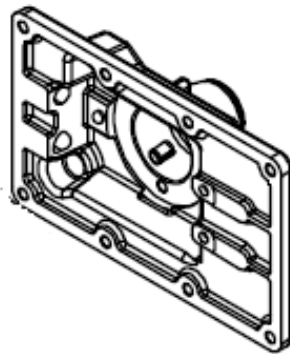
AIR CLEANER ASSY. (03)



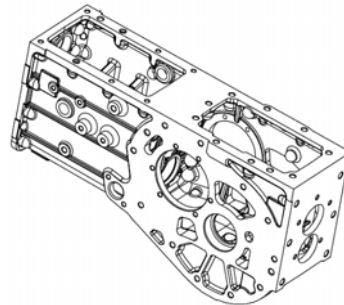
ENGINE ASSY. (04)



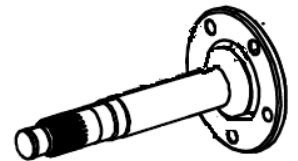
CLUTCH HSG. (05)



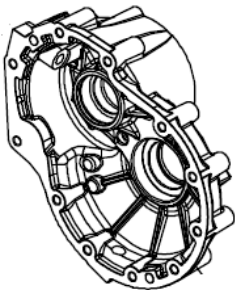
SHIFTER HSG..
(06)



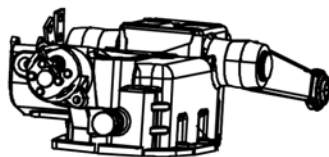
TRANSMISSION HSG.
(07)



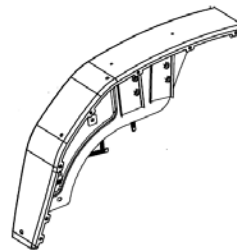
REAR AXLE (08)



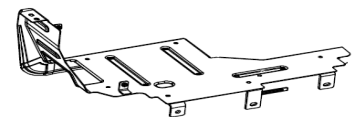
BRAKE HSG.
(9)



MITA HYDRAULIC
(10,11)



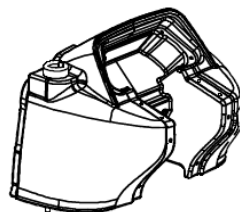
FENDER ASSY.(12)



FLOOR ASSY.(13)



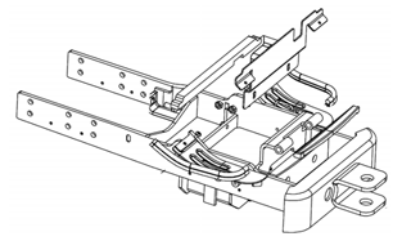
BONNET ASSY
(15)



FUEL TANK ASSY.
(17)

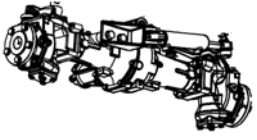


CLUTCH & BRAKE PEDAL
ASSY. (18)

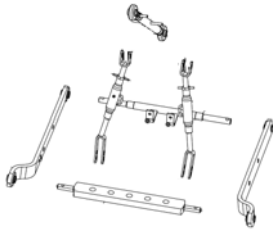


FRONT AXLE BKT
ASSY. (19)

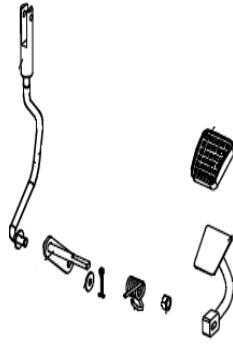
ORGAN



FRONT AXLE
ASSY(20)



THREE POINT
LINKAGES ASSY.(21)



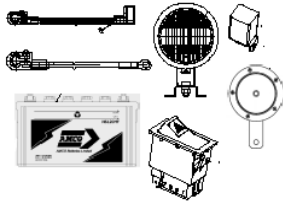
FOOT ACCELERATOR
ASSY.(22)



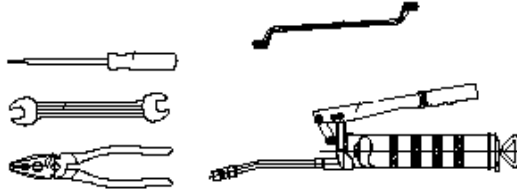
STICKERS.(24)



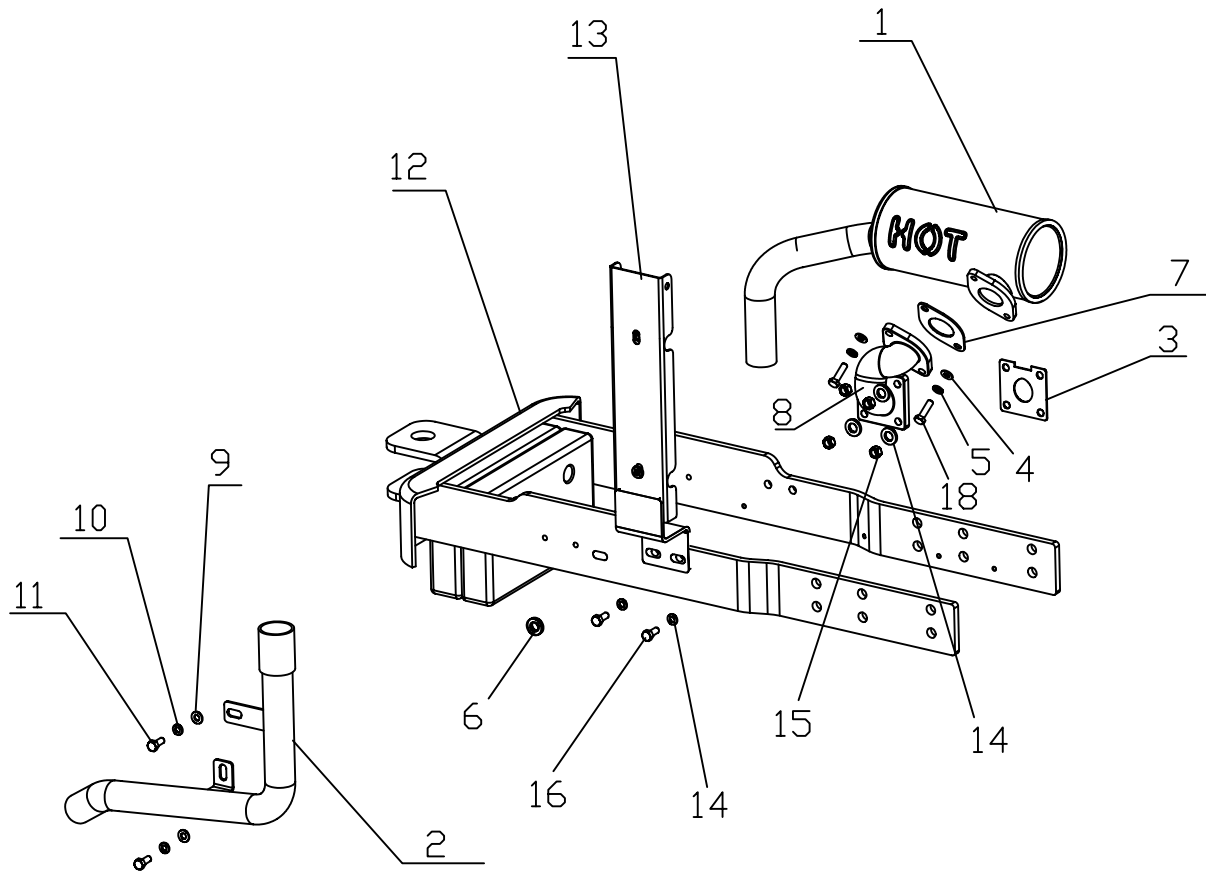
TYRE.(25)



ELECTRICAL(26)

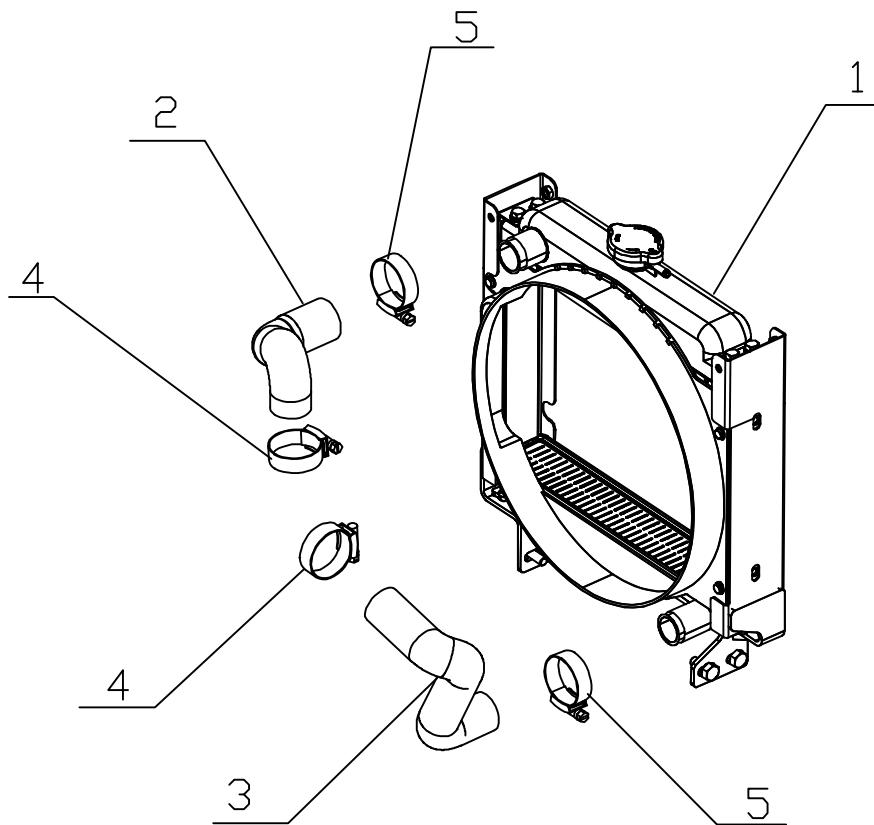


ACCESSORIES(27)



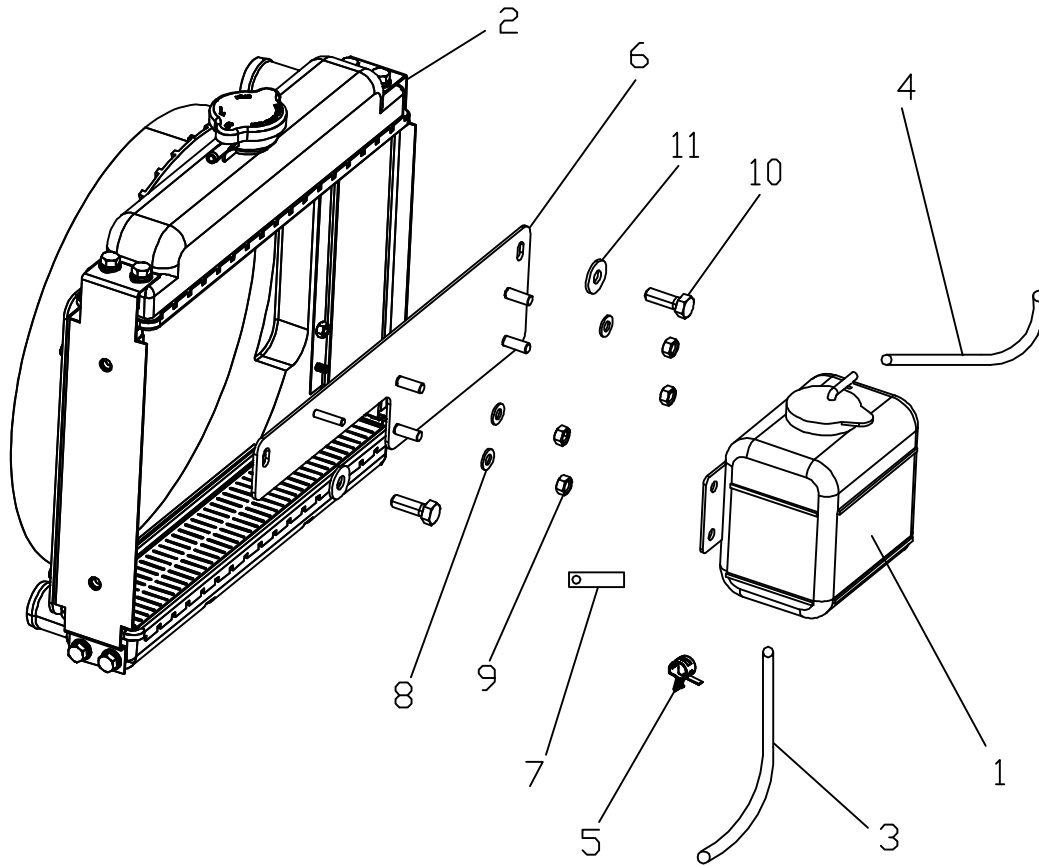
FOR:- SOLIS-26 EEC

No.	Model	Reference	Description	QTY	Remarks	Inter changeability	CUT OFF
1	ALL MODELS	10053464AC	UNDERHOOD SILENCER	1			
2	ALL MODELS	10053465AB	EXHAUST PIPE FOR UNDERHOOD SILENCER	1			
3	ALL MODELS	10053459AA	GASKET FOR EXHAUST	1			
4	ALL MODELS	04030600008	plain washer DIA 8.4 *DIA 17*1.6	2			
5	ALL MODELS	04030400008	SPRING WASHER B-8	2			
6	ALL MODELS	10053759AA	BUSH FOR PARKING BRAKE	1			
7	ALL MODELS	10053706AA	GASKET (INLET ELBOW)	1			
8	ALL MODELS	10053660AA	INLET MANIFOLD UNDERHOOD SILENCER	1			
9	ALL MODELS	04030600008	plain washer DIA 8.4 *DIA 17*1.6	2			
10	ALL MODELS	04030400008	SPRING WASHER B-8	2			
11	ALL MODELS	20003285AB	HEX SCREW M8X1.25X30 8-8 SA2JS	2			
12	ALL MODELS	10053384AB	FRT AXLE BKT GT26 EEC	1			
13	ALL MODELS	10052504AB	RADIATOR MTG BKT RH 24HP	1			
	ALL MODELS	10052505AC	RADIATOR MTG BKT LH 24HP	1			
14	ALL MODELS	04030400010	SPRING WASHER B-10	8			
15	ALL MODELS	20003357AB	HEX NUT M10 -8 SA2JS	4			
16	ALL MODELS	20003991AA	HEX BOLT M10 x 1.5 x 40 - 8.8 SA2JS	4			
18	ALL MODELS	20001096AA	Hex. head screw M8 x 1.25 x 20 8-8 SA2JS	2			



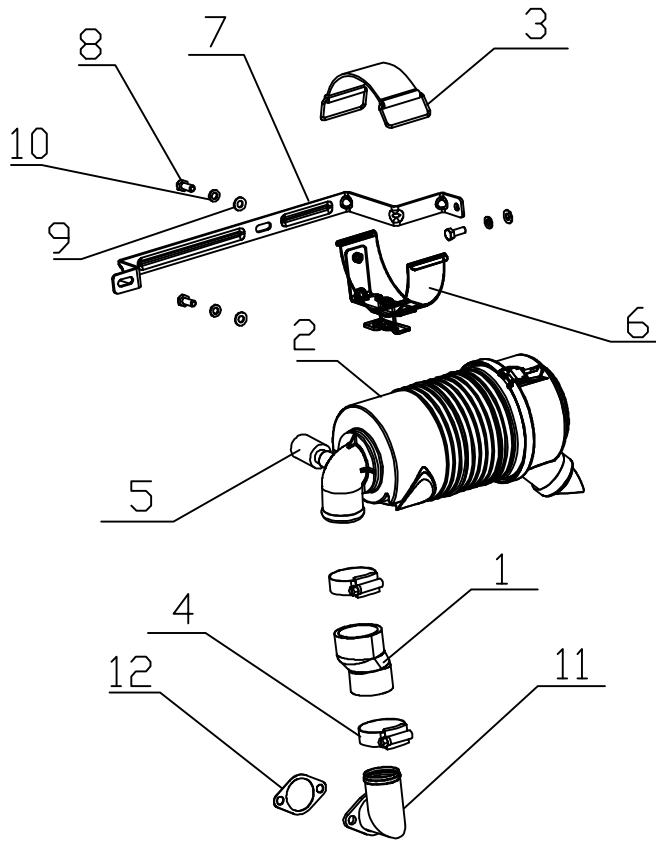
FOR:- SOLIS-26 EEC

No.	Model	Reference	Description	QTY	Remarks	Inter changeability	CUT OFF
1	ALL MODELS	10052506AA	RADIATOR ASSY 24HP	1			
2	ALL MODELS	10052507AD	RADIATOR HOSE (THERMOSTATE TO RADIATOR) 24HP	1			
3	ALL MODELS	10052508AC	RADIATOR HOSE (RADIATOR TO WATER PUMP) 24HP	1			
4	ALL MODELS	20004338AA	HOSE WORM CLAMP	2			
5	ALL MODELS	20004049AA	HOSE WORM CLAMP	2			
6	ALL MODELS	20001568AB	Concentrate cooling liquid	1.5 LTS.			



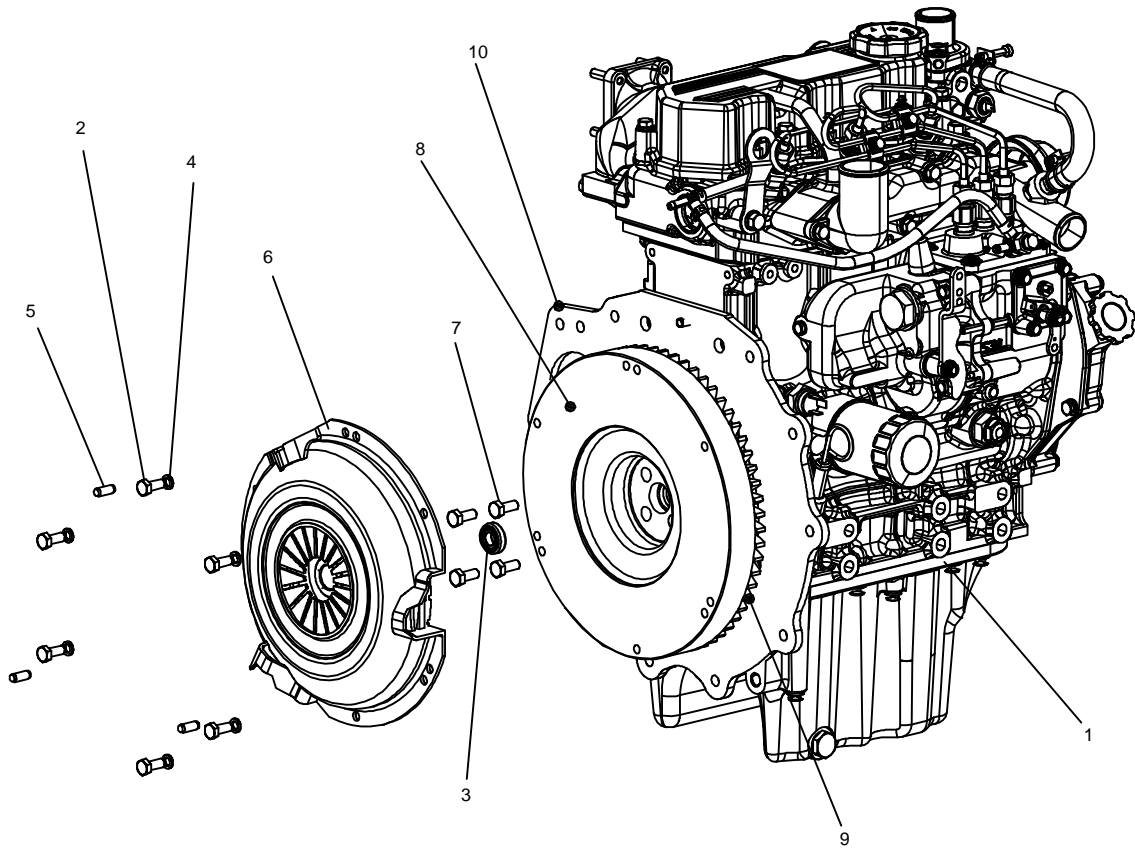
FOR:- SOLIS-26 EEC

No.	Model	Reference	Description	QTY	Remarks	Inter changeability	CUT OFF
1	ALL MODELS	10023524AB	COOLANT ASSY	01			
2	ALL MODELS	10052506AA	RADIATOR ASSY	01			
3	ALL MODELS	10023538AB	PIPE (RADIATOR TO COOLANT TANK)	01			
4	ALL MODELS	10051599AA	PIPE (COOLANT TANK TO OUTSIDE)	01			
5	ALL MODELS	10023569AA	CLAMP DIA 12.5 MM	02			
6	ALL MODELS	10051050BC	FRONT MTG PLATE(RADIATOR)	01			
7	ALL MODELS	10004860AA	CLAMPING STRIP	01			
8	ALL MODELS	04030400008	SPRING WASHER B-8	04			
9	ALL MODELS	20003355AB	HEX NUT M8X1.25 -8 SA2JS	04			
10	ALL MODELS	20001096AA	Hex. head screw M8 x 1.25 x 20 8-8 SA2JS	02			
11	ALL MODELS	04030600008	plain washer DIA 8.4 *DIA 17*1.6	02			



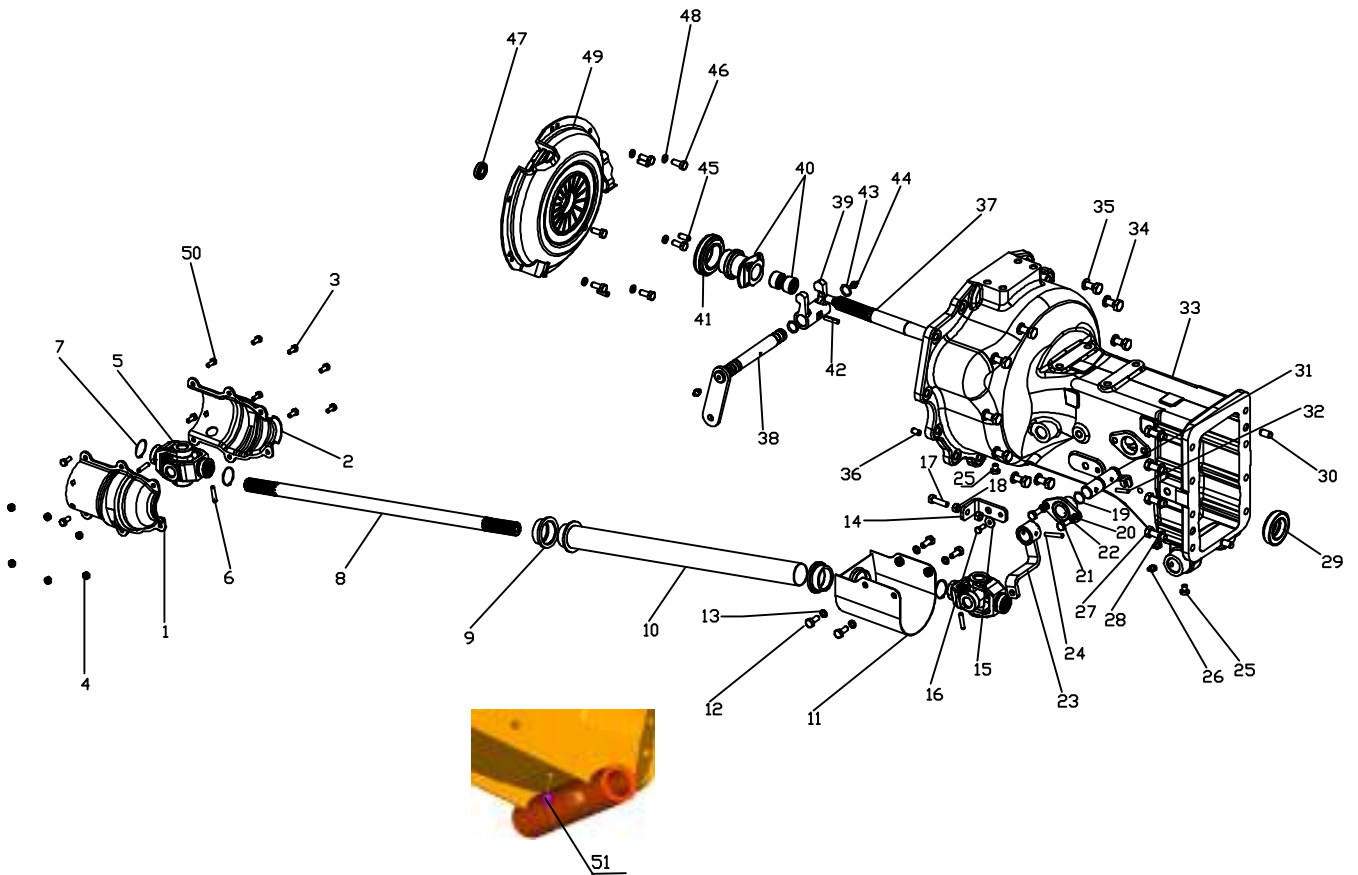
FOR:- SOLIS-26 EEC

No.	Model	Reference	Description	QTY	Remarks	Inter changeability	CUT OFF
1	ALL MODELS	10053549AB	AIR CLEANER HOSE	1			
2	ALL MODELS	10053787AA	AIR CLEANER	1			
3	ALL MODELS	10053794AA	AIR CLEANER STRAP	1			
4	ALL MODELS	20004049AA	HOSE WORM CLAMP DIA 52	2			
5	ALL MODELS	20001508AA	CLOGGING SENSOR	1			
6	ALL MODELS	10053547AC	AIR CLEANER MTG BRACKET	1			
7	ALL MODELS	10053742AB	MAIN BRACKET AIR CLEANER	1			
8	ALL MODELS	20001096AA	Hex. head screw M8 x 1.25 x 20 8-8	3			
9	ALL MODELS	04030600008	plain washer DIA 8.4 *DIA 17*1.6	3			
10	ALL MODELS	04030400008	SPRING WASHER B-8	3			
11	ALL MODELS	10053564AA	SUCTION FLANGE ASSY	1			
12	ALL MODELS	10052546AA	GASKET INTAKE MANIFOLD 24HP	1			



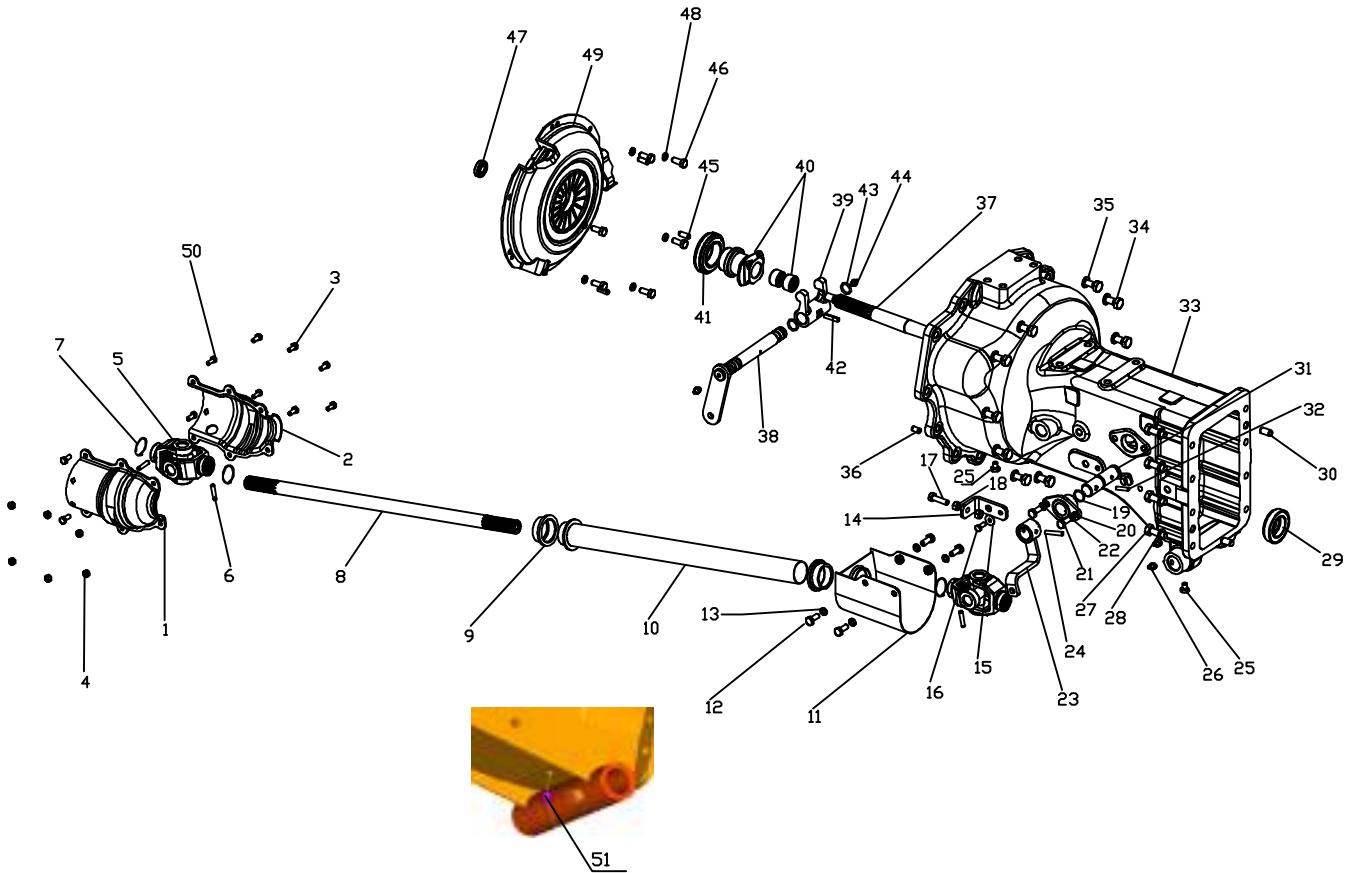
FOR:- SOLIS-26 EEC

No.	Model	Reference	Description	QTY	Remarks	Inter changeability	CUT OFF
1	ALL MODELS	10052678AA	ENGINE ASSY. (MISTUBISHI)	1			
2	ALL MODELS	20001096AA	HEX HEAD SCREW M8 x 1.25 x 20 8-8 SA2JS	6			
3	ALL MODELS	20004297AB	BALL BEARING 6001	1			
4	ALL MODELS	04030400008	SPRING WASHER B-8	6			
5	ALL MODELS	10053429AA	DOWEL Ø7.7X20	3			
6	ALL MODELS	10052693AC	Single Clutch Assy.	1			
6(1)	ALL MODELS	10052691AC	Driven Plate Assy.	1	CHILD PART OF SINGLE CLUTCH ASSY.		
6(2)	ALL MODELS	10052692AA	Cover Assy(sc)	1			
7	ALL MODELS	10053438AA	HEX HEAD SCREW M12x1.25X28	4			
8	ALL MODELS	703003234A	FLYWHEEL	1			
9	ALL MODELS	703003108A	RING GEAR	1			
10	ALL MODELS	703002178A	REAR PLATE	1			
11	ALL MODELS	10026351AA	ENGINE OIL 15W40	4.2 Ltr			
12	ALL MODELS	20004154AB	HEX SCREW M12X1.25X25	8	HARDWARE TO MOUNT REAR PLATE(S.NO.10) WITH ENGINE (VIEW NOT SHOWN)		
13	ALL MODELS	04030400012	SPRING WASHER B-12	8			
14	ALL MODELS	20004249AA	SILICON SEALANT-1080	37.5 ml			
15	ALL MODELS	20004466AA	LOCTITE 587	12 ml	on coupling assy.		
16	ALL MODELS	042300207AA	GREASE M.P	0.2 kg			
17	ALL MODELS	20004253AA	LOCTITE-518	5.68 ml			



FOR:- SOLIS-26 EEC

No.	Model	Reference	Description	QTY	Remarks	Inter changeability	CUT OFF
1	ALL MODELS	10053801AB	Universal Joint cover FRONT L	1			
2	ALL MODELS	10053802AB	Universal Joint cover FRONT R	1			
3	ALL MODELS	04040106014	HEX SCREW M6X14	6			
4	ALL MODELS	20003354AB	HEX NUT M6 -8 SA2JS	6			
5	ALL MODELS	10051224AD	UNIVERSAL JOINT ASSY.	2			
6	ALL MODELS	10052452AA	DOWEL PIN (6X28) UNIVERSAL JOINT	3			
7	ALL MODELS	20004355AB	SNAP RING FOR SHAFT DIA 32 (DIN 7993)	3			
8	ALL MODELS	10052882AA	FRONT PTO SHAFT	1			
9	ALL MODELS	10050688AB	RUBBER SEAL	2			
10	ALL MODELS	10052580AB	PTO guard Assy	1			
11	ALL MODELS	10052904BA	UNIVERSAL JOINT COVER (REAR)	1			
12	ALL MODELS	20001089AA	Hex. head screw M8 x 1.25-25 8-8 SA	4			
13	ALL MODELS	04030400008	SPRING WASHER B-8	4			
14	ALL MODELS	10052908AA	STOPER FOR C.A. SHAFT	1			
15	ALL MODELS	04030600006	PLAIN WASHER DIA 6.4 *DIA 18 *1.5	1			
16	ALL MODELS	04040106016	HEX HEAD SCREW M6*16-8.8 SA3NS	1			
17	ALL MODELS	20003285AB	HEX SCREW M8X1.25X30 8-8 SA2JS	1			
18	ALL MODELS	20003355AB	HEX NUT M8X1.25 -8 SA2JS	2			
19	ALL MODELS	20004142AB	O-RING Ø17.6 x Ø2.3	1			
20	ALL MODELS	10050809AB	BRACKET	1			
21	ALL MODELS	20001096AA	HEX SCREW M8X1.25X20	2			
22	ALL MODELS	04030400008	SPRING WASHER B-8	2			
23	ALL MODELS	10053406AA	LEVER LUG ASSY	1			
24	ALL MODELS	20004296AA	SPRING COTTER SLEEVE Ø6*36 ISO:13337, DIN:7346,BN878(LIGHT DUTY)	1			

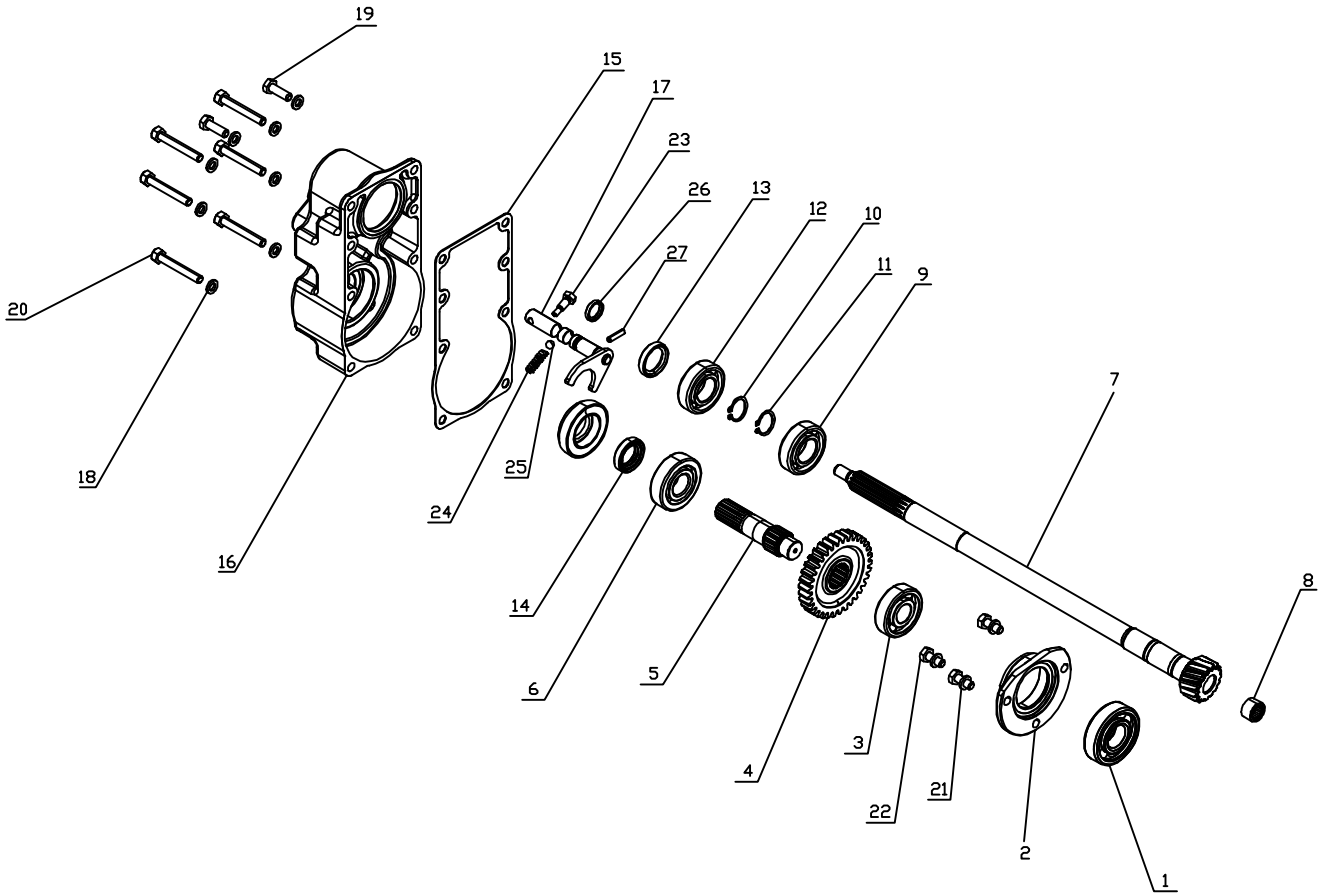


FOR:- SOLIS-26 EEC

No.	Model	Reference	Description	QTY	Remarks	Inter changeability	CUT OFF
25	ALL MODELS	10052418AA	LOCKING SCREW M8X1X10	2			
26	ALL MODELS	04043200008	GREASE NIPPLE WITH CAP M8*1	2			
27	ALL MODELS	20002016AB	HEX HEAD SCREW M10*1.5*30 8.8 SA2JS	8			
28	ALL MODELS	04030400010	SPRING WASHER B-10	8			
29	ALL MODELS	10051888AA	RUBBER BOOT FOR CLUTCH HSG.	1			
30	ALL MODELS	10051264AB	Dowel Pin (10x20)	2			
31	ALL MODELS	10053407AA	ACTUATOR LUG ASSY	1			
32	ALL MODELS	20004313AA	SPRING COTTER SLEEVE Ø5*26	1			
33	ALL MODELS	10053368AB	CLUTCH HOUSING	1			
34	ALL MODELS	20004078AB	HEX SCREW M10X1.25 -8.8 SA3NS	11			
35	ALL MODELS	04030400010	Spring Washer B-10	11			
36	ALL MODELS	10052662AA	Dowel 8*15	1			
37	ALL MODELS	10052911BB	Input Shaft (Z-15, L-504)	1			
38	ALL MODELS	10052723AA	CA SHAFT ASSY. (GT-24)	1			
39	ALL MODELS	10050721AD	C.A. FORK	1			
40	ALL MODELS	10051245BA	INNER BUSH ASSY.	1			
41	ALL MODELS	20004566AA	CLUTCH RELEASE BEARING TG 1956/1	1			
42	ALL MODELS	20004150AA	Spring Cotter Sleeve(Dia 6X28)	1			
43	ALL MODELS	20004144AA	O-RING Ø15.6 x Ø2.3	2			
44	ALL MODELS	20004029AA	GREASE NIPPLE M6X1	2			
45	ALL MODELS	10053429AA	DOWEL Ø7.7X20	3			
46	ALL MODELS	20001096AA	HEX HEAD SCREW M8 x 1.25 x 20 8-8 SA2JS	6			
47	ALL MODELS	20004297AB	BALL BEARING 6001	1			
48	ALL MODELS	04030400008	SPRING WASHER B-8	6			
49	ALL MODELS	10052693AC	Single Clutch Assy.	1			
50	ALL MODELS	20000104AA	HEX SCREW M6*10	4			
51	ALL MODELS	10052709AA	RUBBER PLUG FOR CLUTCH HSG. GT	1			
52	ALL MODELS	20004244AA	ANABOND-666	20 gm.			

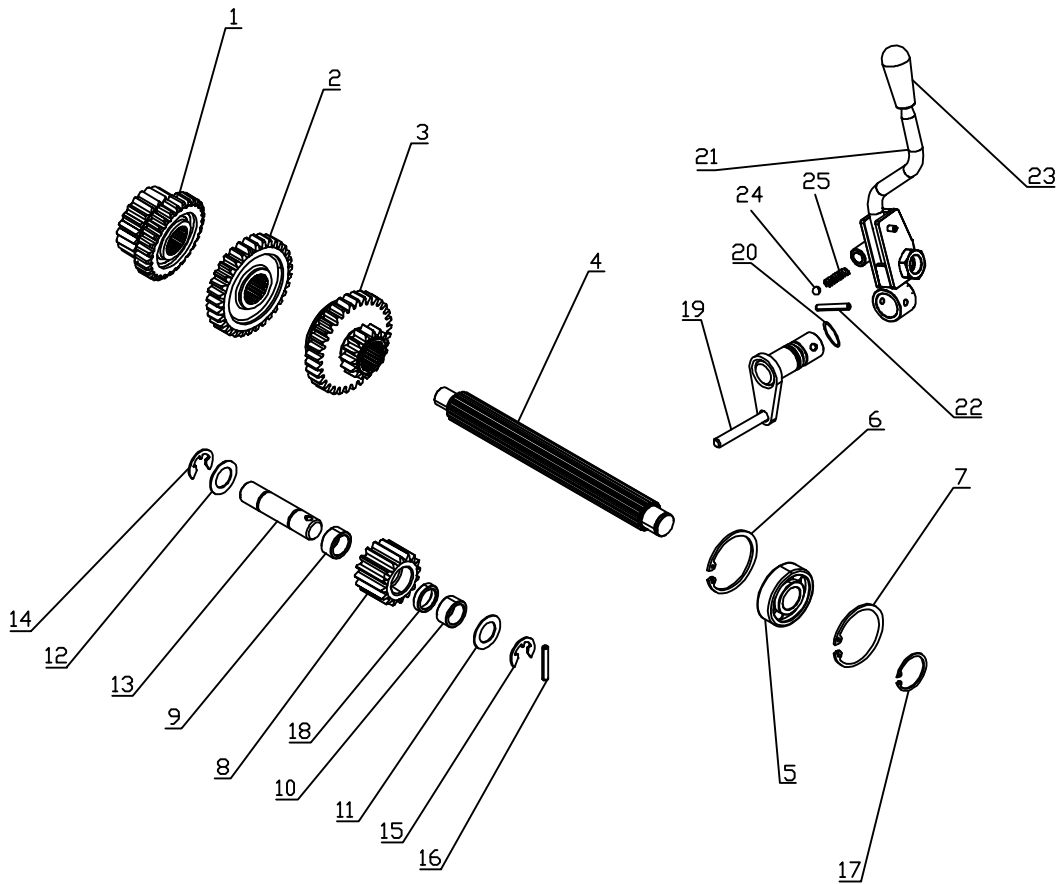
05120A-1/1

INPUT SHAFT & 4WD SHAFT ASSY.
WITH FRONT COVER HSG.



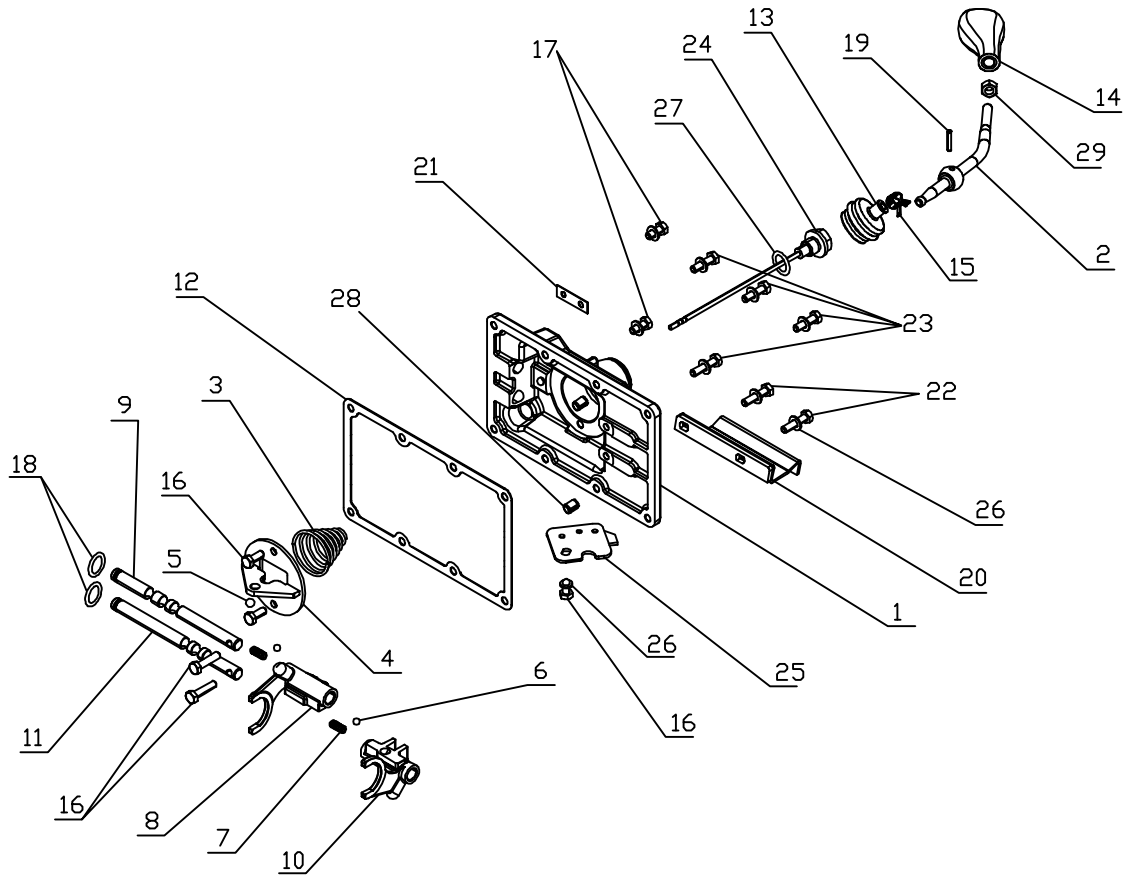
FOR:- SOLIS-26 EEC

No.	Model	Reference	Description	QTY	Remarks	Inter changeability	CUT OFF
1	ALL MODELS	20004368AA	BALL BEARING LS10(25.4x57.15x15.875)	1			
2	ALL MODELS	10050685AD	BEARING HOUSING	1			
3	ALL MODELS	20003477AA	BALL BEARING (6304)	1			
4	ALL MODELS	10050684AC	FIXED GEAR Z-34 FOR 4WD	1			
5	ALL MODELS	10050683AC	SHAFT FOR 4WD	1			
6	ALL MODELS	20004122AA	BALL BEARING 63/22	1			
7	ALL MODELS	10052911BB	INPUT SHAFT	1			
8	ALL MODELS	04001216021	NEEDLE BUSH JL 10 8 (M32551)	1			
9	ALL MODELS	20004346AA	BALL BEARING (6205NR)	1			
10	ALL MODELS	20004134AA	EXTERNAL CIRCLIP A-25	1			
11	ALL MODELS	20004134AA	EXTERNAL CIRCLIP A-25	1			
12	ALL MODELS	20004119AA	BALL BEARING (6205)	1			
13	ALL MODELS	04070225035	OIL SEAL 35X25X7 (M87629)	1			
14	ALL MODELS	20004156AA	OIL SEAL 4D035022	1			
15	ALL MODELS	10051200AA	GASKET FOR BEARING HOUSING FRONT	1			
16	ALL MODELS	10050746AF	BEARING HOUSING FRONT	1			
17	ALL MODELS	10050812AJ	FORK ASSY.4WD	1			
18	ALL MODELS	04030400008	SPRING WASHER B-8	8			
19	ALL MODELS	20001089AA	HEX SCREW M8x1.25-25	2			
20	ALL MODELS	20004136AA	HEX HEAD BOLT M8X1.25X55	6			
21	ALL MODELS	04030400008	SPRING WASHER B-8	3			
22	ALL MODELS	20001096AA	HEX SCREW M8x1.25-20	3			
23	ALL MODELS	10052380AB	SHIFTER PIN FOR 4WD GEAR	1			
24	ALL MODELS	10053731AA	SPRING (FOR GT 20 4WD)	1			
25	ALL MODELS	10020864AB	BALL 8 DIA GRADE 20 IS:2898	1			
26	ALL MODELS	10020828AA	OIL SEAL (SHIFTER HOUSING)	1			
27	ALL MODELS	20004313AA	SPRING COTTER SLEEVE Ø5*26	1			



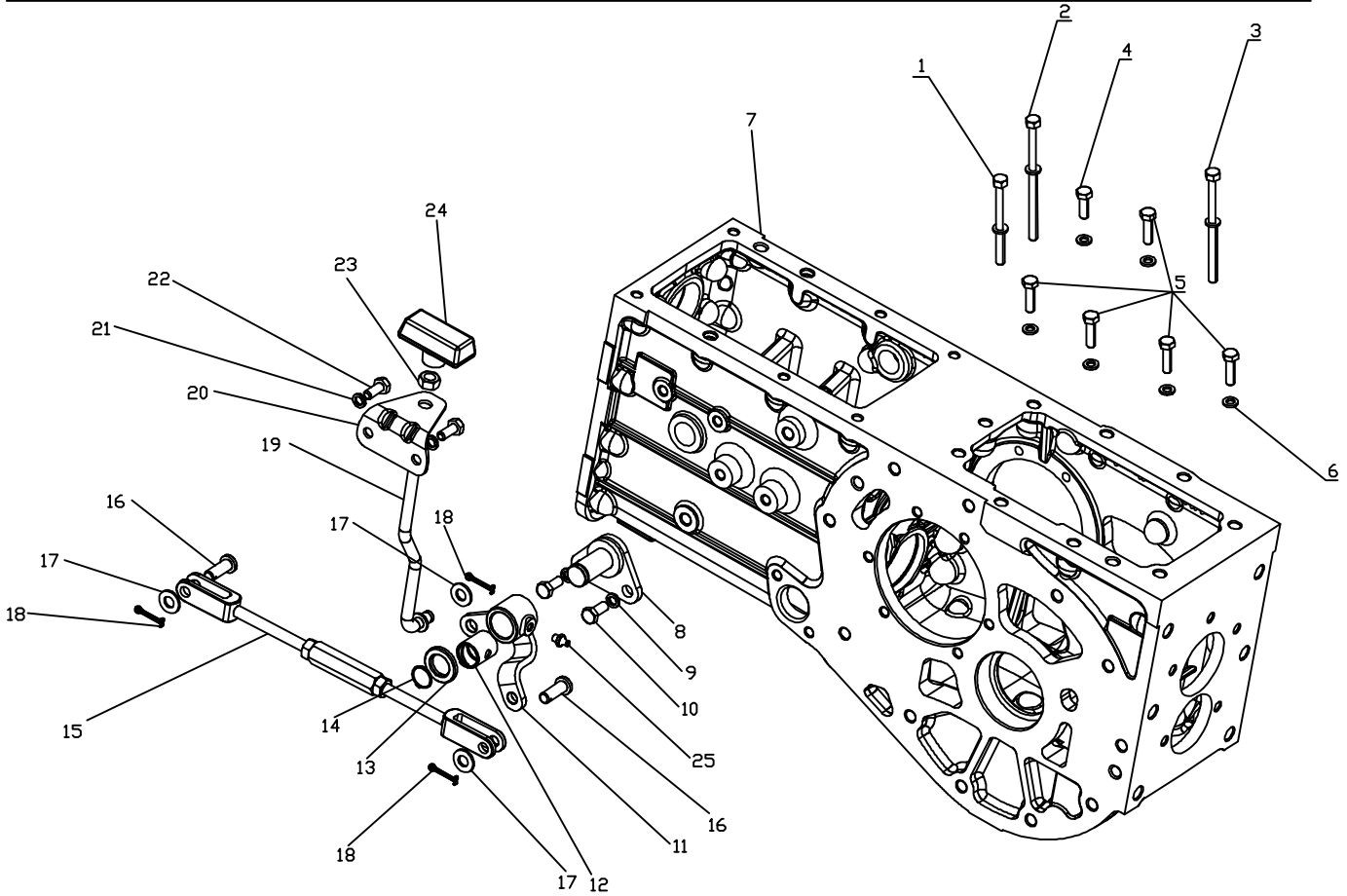
FOR:- SOLIS-26 EEC

No.	Model	Reference	Description	QTY	Remarks	Inter changeability	CUT OFF
1	ALL MODELS	10053229AA	Sliding gear Z-21 / Z-29 (2nd / 3rd)	1			
2	ALL MODELS	10050697AC	SLIDING GEAR Z-33 (1ST / REV)	1			
3	ALL MODELS	10050698AC	SLIDING GEAR Z-15 & 33 (HI / LOW)	1			
4	ALL MODELS	10050695AB	INTERMEDIATE SHAFT	1			
5	ALL MODELS	20003477AA	BALL BEARING (6304)	1			
6	ALL MODELS	20004113AA	INTERNAL CIRCLIP B-52	1			
7	ALL MODELS	20004113AA	INTERNAL CIRCLIP B-52	1			
8	ALL MODELS	10050731AD	IDLER GEAR Z-16	1			
9	ALL MODELS	20004147AA	NEEDLE CAGE BEARING (24X18X12)	1			
10	ALL MODELS	20004147AA	NEEDLE CAGE BEARING (24X18X12)	1			
11	ALL MODELS	10050807AB	WASHER (IDLER SHAFT)	1			
12	ALL MODELS	10050807AB	WASHER (IDLER SHAFT)	1			
13	ALL MODELS	10050802AB	IDLER SHAFT	1			
14	ALL MODELS	20004151AA	EXTERNAL CIRCLIP E-15	1			
15	ALL MODELS	20004151AA	EXTERNAL CIRCLIP E-15	1			
16	ALL MODELS	20004146AA	SPRING COTTER SLEEVE(DIA 5X32)	1			
17	ALL MODELS	04020200020	EXTERNAL CIRCLIP A20	1			
18	ALL MODELS	10051484AA	SPACER (IDLER GEAR)	1			
19	ALL MODELS	10050714AF	PIN ASSY. HI/ LOW	1			
20	ALL MODELS	20004142AB	O-RING Ø17.6 x Ø2.3	1			
21	ALL MODELS	10053648AA	LEVER ASSY. HI/LOW	1			
22	ALL MODELS	20004146AA	SPRING COTTER SLEEVE(dia 5X32)	1			
23	ALL MODELS	10004846AB	KNOB (ROD ASSY / HANDLER PTO)	1			
24	ALL MODELS	10020864AB	BALL 8 DIA GRADE 20 IS:2898	1			
25	ALL MODELS	10050707AA	Spring	1			



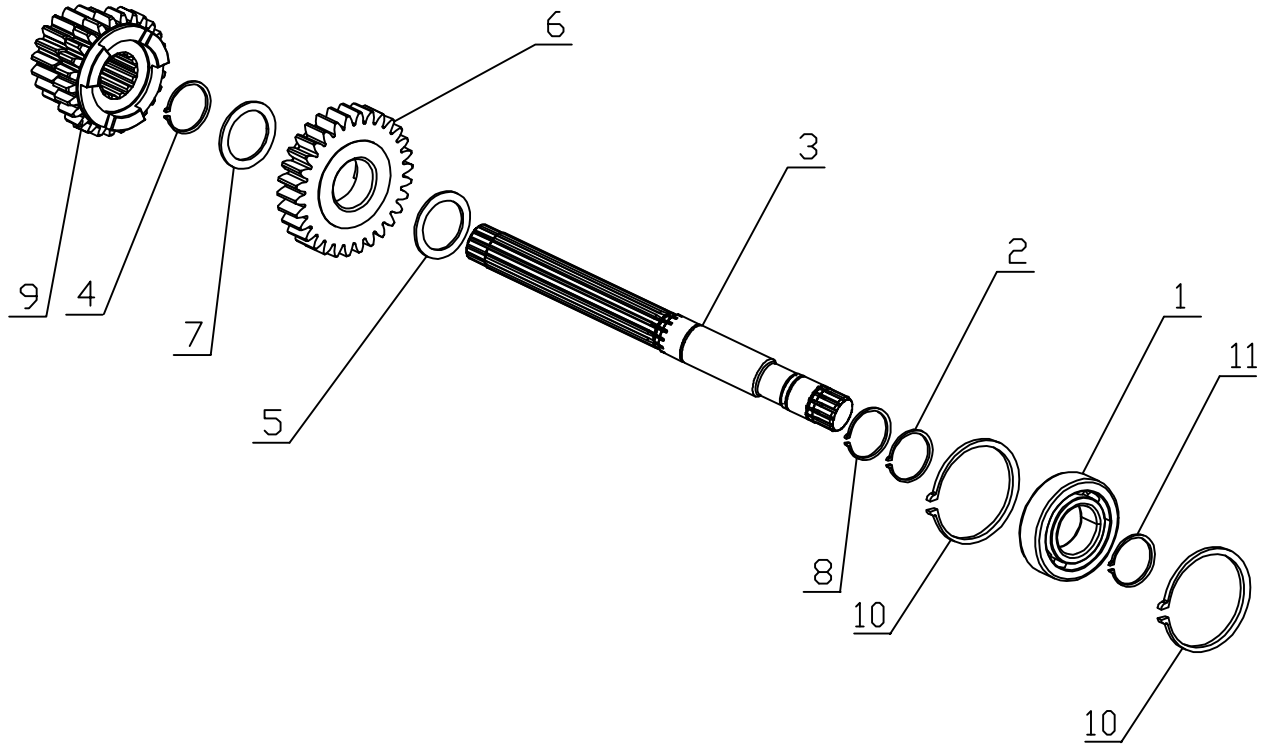
FOR:-SOLIS-26 EEC

No.	Model	Reference	Description	QTY	Remarks	Inter changeability	CUT OFF
1	ALL MODELS	10050699AE	GEAR SHIFTER HSG.	1			
2	ALL MODELS	10053664AA	GEAR SHIFTER LEVER	1			
3	ALL MODELS	10050711AD	CONICAL SPRING	1			
4	ALL MODELS	10050709AC	LOCKING PLATE	1			
5	ALL MODELS	10020861AB	BALL 10 DIA GRADE 20 IS:2898	1			
6	ALL MODELS	10020864AB	BALL 8 DIA GRADE 20 IS:2898	2			
7	ALL MODELS	10050707AA	SPRING	2			
8	ALL MODELS	10050705AD	SHIFTER FORK	1			
9	ALL MODELS	10050704AB	SHIFTER ROD 2ND/ 3RD	1			
10	ALL MODELS	10050705AD	SHIFTER FORK	1			
11	ALL MODELS	10050703AB	SHIFTER ROD 1ST / REV	1			
12	ALL MODELS	10051202AB	GASKET GEAR SHIFTER HSG.	1			
13	ALL MODELS	10050702AE	RUBBER BOOT	1			
14	ALL MODELS	10053659AA	GEAR SHIFTER KNOB	1			
15	ALL MODELS	10053039AA	CLAMP DIA 16	1			
16	ALL MODELS	20002059AA	HEX SCREW M8X16	5			
17	ALL MODELS	20001096AA	HEX SCREW M8X1.28X20	2			
18	ALL MODELS	20004143AA	O-RING DIA 9.6X2.3	2			
19	ALL MODELS	20004146AA	SPRING COTTER SLEEVE 5x32	1			
20	ALL MODELS	10053650AA	GUIDE PLATE	1			
21	ALL MODELS	10050710AA	LOCKING WASHER(SHIFTER ROD)	1			
22	ALL MODELS	20003286AB	HEX SCREW M8X1.25X35 8-8 SA2JS	2			
23	ALL MODELS	20003285AB	HEX SCREW M8X1.25X30	4			
24	ALL MODELS	10051787AA	DIPSTICK FOR GARDEN TRAC	1			
25	ALL MODELS	10050715AC	LOCKING PLATE	1			
26	ALL MODELS	04030400008	SPRING WASHER B-8	9			
27	ALL MODELS	04030222029	SEALING WASHER DIA 22.2 * DIA 29 * 1.5	1			
28	ALL MODELS	10052733AA	SPRING DOWEL SLEEVE LIGHT	2			
29	ALL MODELS	20003357AB	HEX NUT M10 -8 SA2JS	1			



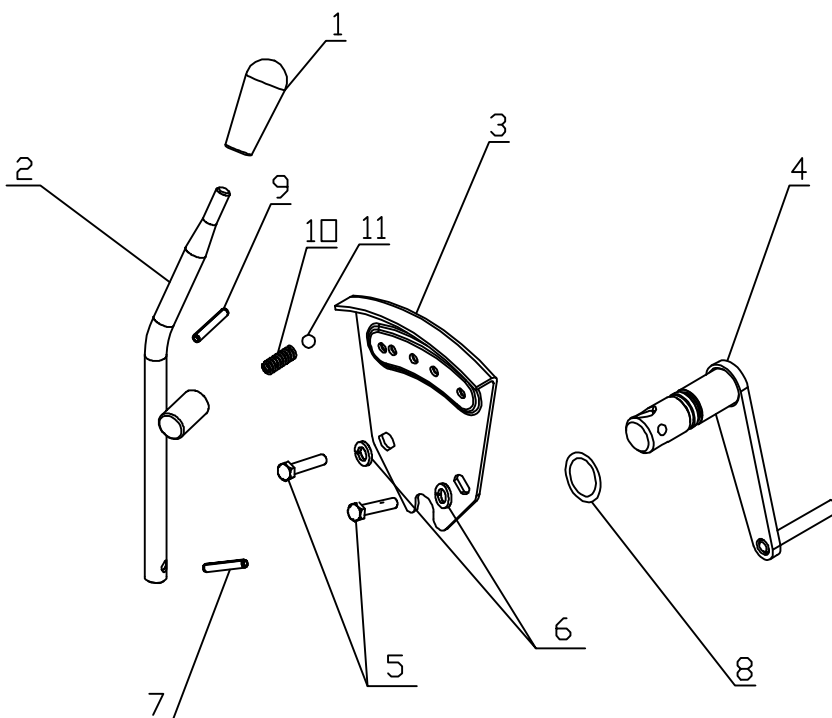
FOR:- SOLIS-26 EEC

No.	Model	Reference	Description	QTY	Remarks	Inter changeability	CUT OFF
1	ALL MODELS	20003223AA	HEX HEAD BOLT M10X90	1			
2	ALL MODELS	04040710130	HEX HEAD BOLT M10X130	1			
3	ALL MODELS	20004067AA	HEX HEAD BOLT M10X120	1			
4	ALL MODELS	20002015AB	HEX HEAD SCREW M10 x 1.5 x 25 8-8 SA2JS	1			
5	ALL MODELS	20002016AB	HEX HEAD SCREW M10 x 1.5 x 30 8-8 SA2JS	5			
6	ALL MODELS	04030400010	SPRING WASHER B-10	9			
7	ALL MODELS	10053365AA	TRANSMISSION HOUSING	1			
8	ALL MODELS	10053408AC	LEVER MOUNTING BRACKET	1			
9	ALL MODELS	04030400008	SPRING WASHER B-8	2			
10	ALL MODELS	20001096AA	HEX HEAD SCREW M8X1.25X20-8.8 SA2JS	2			
11	ALL MODELS	10053409AB	LUG ASSY FOR 4WD	1			
12	ALL MODELS	10053416AA	BI-METALLIC BUSH	1			
13	ALL MODELS	10080057AB	WASHER FOR SHUTTLE LEVER	1			
14	ALL MODELS	04020200020	EXTERNAL CIRCLIP A-20	1			
15	ALL MODELS	10053412AB	ACTUATOR FORK ASSY.	1			
16	ALL MODELS	10005187AA	LINK PIN	2			
17	ALL MODELS	04030800010	M/CD WASHER DIA 10.5 *DIA 21*2	3			
18	ALL MODELS	04010102025	SPLIT PIN DIA 2*25	3			
19	ALL MODELS	10053410AB	CONNECTING ROD	1			
20	ALL MODELS	10053411AB	HANDLE MOUNTING BRACKET	1			
21	ALL MODELS	04030400008	SPRING WASHER B-8	2			
22	ALL MODELS	20001096AA	Hex. head screw M8 x 1.25 x 20 8-8 SA2JS	2			
23	ALL MODELS	20003357AB	HEX NUT M10 -8 SA2JS	1			
24	ALL MODELS	10053658AA	HANDLE 4WD FOR GT-26 EEC	1			
25	ALL MODELS	20004029AA	GREASE NIPPLE M6X1	1			
26	ALL MODELS	042300268AA	TRANSMISSION OIL ELF 2412 (O.I.B)	18 lts.			



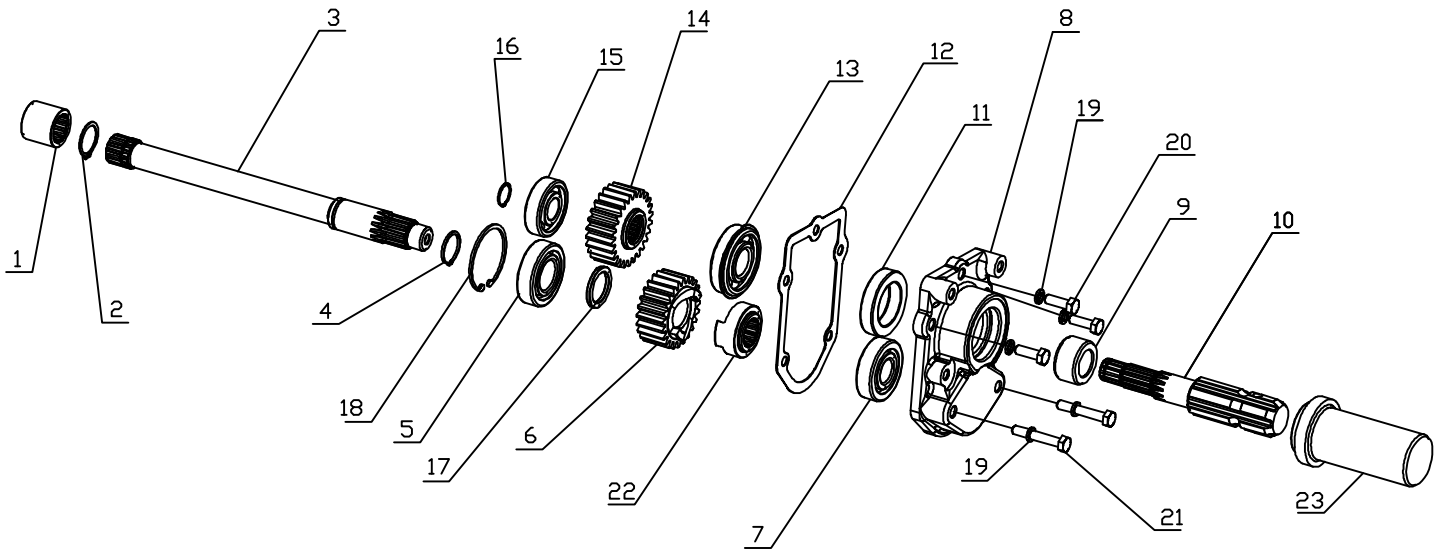
FOR:- SOLIS-26 EEC

No.	Model	Reference	Description	QTY	Remarks	Inter changeability	CUT OFF
1	ALL MODELS	20004368AA	BALL BEARING LS10(25.4x57.15x15.875)	1			
2	ALL MODELS	20004134AA	EXTERNAL CIRCLIP A - 25	1			
3	ALL MODELS	10050754AF	PTO LAY SHAFT	1			
4	ALL MODELS	20003766AA	EXTERNAL CIRCLIP A-26	1			
5	ALL MODELS	10050728AC	WASHER (PTO)	1			
6	ALL MODELS	10050729AC	PTO FIXED GEAR Z-30	1			
7	ALL MODELS	10052666AA	WASHER (PTO LAY SHAFT)	1			
8	ALL MODELS	20004276AA	EXTERNALCIRCLIP A-28	1			
9	ALL MODELS	10050727AC	PTO SLIDING GEAR Z-19 & 26	1			
10	ALL MODELS	20004274AA	INTERNAL CIRCLIP B-58	2			
11	ALL MODELS	20004134AA	EXTERNAL CIRCLIP A - 25	1			



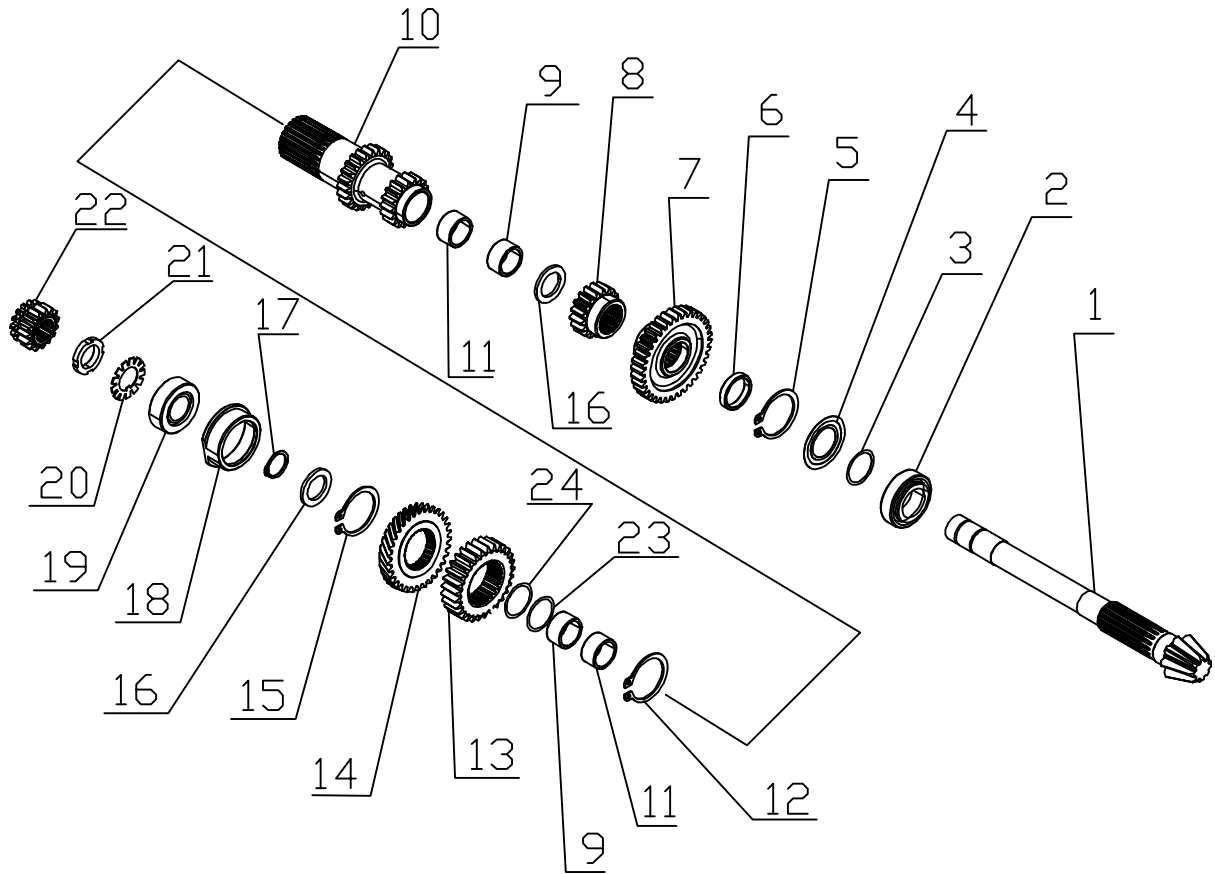
FOR:- SOLIS-26 EEC

No.	Model	Reference	Description	QTY	Remarks	Inter changeability	CUT OFF
1	ALL MODELS	10004846AB	KNOB (ROD ASSY / HANDLER PTO)	1			
2	ALL MODELS	10053646AA	PTO LEVER ASSY.	1			
3	ALL MODELS	10050755AD	LOCKING PLATE	1			
4	ALL MODELS	10050741AG	PIN ASSY. PTO	1			
5	ALL MODELS	20002059AA	HEX HEAD SCREW M8 x 1.25-16 8-8 SA2JS	2			
6	ALL MODELS	04030400008	SPRING WASHER B-8	2			
7	ALL MODELS	20003804AA	SPRING COTTER SLEEVE 5x22	1			
8	ALL MODELS	20004142AB	O-RING Ø17.6 x Ø2.3	1			
9	ALL MODELS	20003130AA	SPRING COTTER SLEEVE (SPRING PIN) DIA4*30	1			
10	ALL MODELS	10050707AA	SPRING	1			
11	ALL MODELS	20004335AA	BALL DIA 8.731 GRADE 40 (IS:2898)	1			



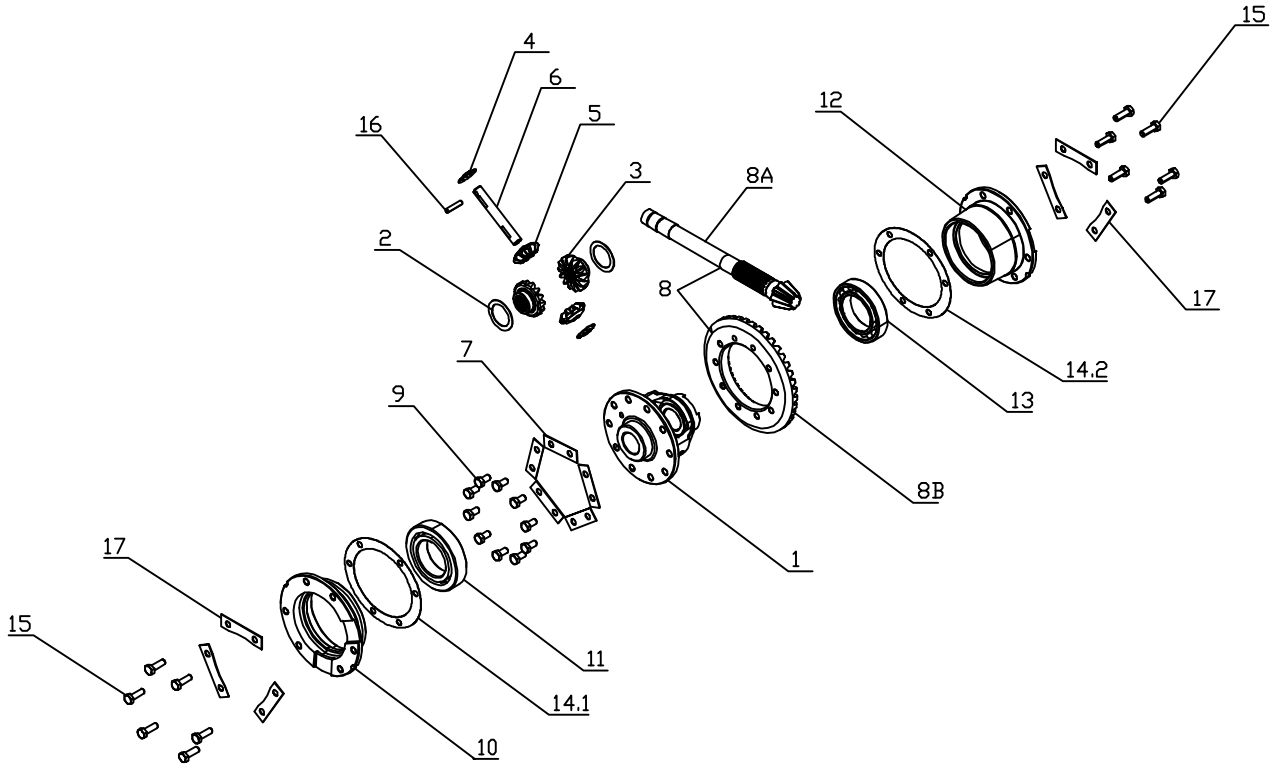
FOR:- SOLIS-26 EEC

No.	Model	Reference	Description	QTY	Remarks	Inter changeability	CUT OFF
1	ALL MODELS	10050735AB	SLEEVE	1			
2	ALL MODELS	20003766AA	EXTERNAL CIRCLIP A-26	1			
3	ALL MODELS	10050689BA	PTO INTERMEDIATE SHAFT	1			
4	ALL MODELS	20004583AA	EXTERNAL CIRCLIP DIA 28 HEAVY DUTY	1			
5	ALL MODELS	20004123AA	BEARING 62/28	1			
6	ALL MODELS	10050737CA	PTO GEARZ-24	1			
7	ALL MODELS	20004122AA	BALL BEARING (63/22)	1			
8	ALL MODELS	10050691AE	PTO END COVER	1			
9	ALL MODELS	10051204AE	SLEEVE (PTO)	1			
10	ALL MODELS	10050690BA	PTO SHAFT	1			
11	ALL MODELS	20004002AA	OIL SEAL (12M)40X60X18.5	1			
12	ALL MODELS	10051201AA	GASKET PTO END COVER	1			
13	ALL MODELS	20004152AA	BALL BEARING 6305(WITH SNAP RING)	1			
14	ALL MODELS	10050739DA	PTO GEAR Z-26	1			
15	ALL MODELS	20003477AA	BALL BEARING(6304)	1			
16	ALL MODELS	04020200020	EXTERNAL CIRCLIP A-20	1			
17	ALL MODELS	10050736AB	SPACER (PTO INTERMEDIATE SHAFT)	1			
18	ALL MODELS	20004274AA	INTERNAL CIRCLIP B-58 IS:3075	1			
19	ALL MODELS	04030400008	SPRING WASHER B-8	5			
20	ALL MODELS	20001089AA	HEX SCREW M8x1.25-25	3			
21	ALL MODELS	20003717AA	HEX SCREW M8x1.25-50	2			
22	ALL MODELS	10050738AC	LOCKING HUB	1			
23	ALL MODELS	10008453AA	PTO SHAFT COVER	1			



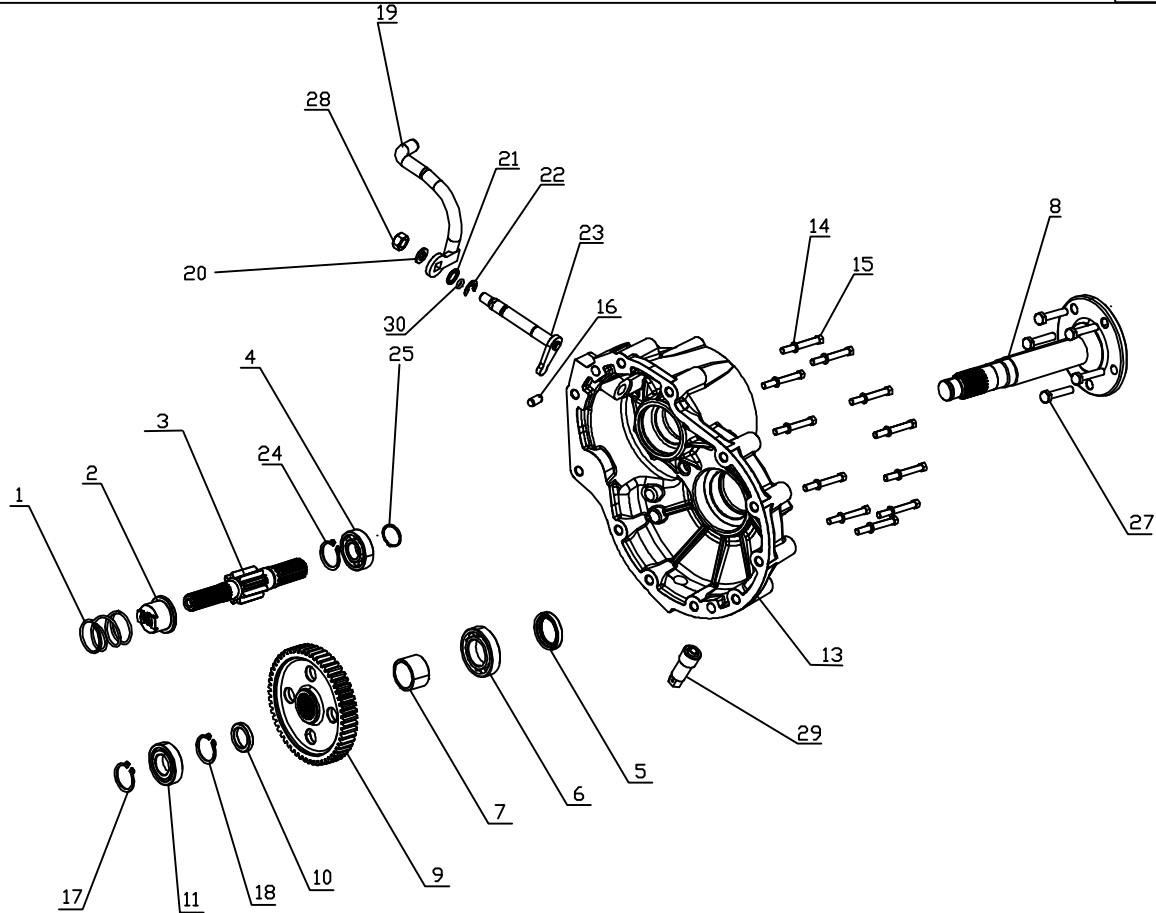
FOR:- SOLIS-26 EEC

No.	Model	Reference	Description	QTY	Remarks	Inter changeability	CUT OFF
1	ALL MODELS	10050768AE	TAIL PINION SHAFT	1			
2	ALL MODELS	20004121AA	TR BEARING 32006	1			
3 (i)	ALL MODELS	10050793AA	SHIM SMALL (T.P. SHAFT) AT ID-0.20	1			
3(ii)	ALL MODELS	10051281AA	SHIM SMALL (T.P. SHAFT) -0.30	1			
3(iii)	ALL MODELS	10051150AA	SHIM SMALL (T.P. SHAFT) -0.50	1			
4 (i)	ALL MODELS	10050799AA	SHIM BIG (T.P. SHAFT) AT OD-0.20	1			
4(ii)	ALL MODELS	10051280AA	SHIM BIG (T.P. SHAFT)-.30	1			
4(iii)	ALL MODELS	10051155AA	SHIM BIG (T.P. SHAFT)-0.50	1			
5	ALL MODELS	20004114AA	INTERNAL CIRCLIP B-55	1			
6	ALL MODELS	10050789AB	SPACER (T.P. SHAFT)	1			
7	ALL MODELS	10050784AB	FIXED GEAR LOW Z-36	1			
8	ALL MODELS	10050779AB	FIXED GEAR Z-18 (HI GEAR)	1			
9	ALL MODELS	20004145AA	NEEDLE CAGE BEARING (31X25X17)	2			
10	ALL MODELS	10050730AC	LAY SHAFT	1			
11	ALL MODELS	20004145AA	NEEDLE CAGE BEARING (31X25X17)	2			
12	ALL MODELS	04020200045	EXTERNAL CIRCLIP A-45	1			
13	ALL MODELS	10050726AC	FIXED GEAR Z-29 (3RD)	1			
14	ALL MODELS	10053233AA	C.M. GEAR Z-32	1			
15	ALL MODELS	04020200045	EXTERNAL CIRCLIP A-45	1			
16	ALL MODELS	10050776AC	WASHER (T.P. SHAFT) (S44/51)	2			
17	ALL MODELS	20004324AA	EXTERNAL CIRCLIP A-25 (HEAVY DUTY)	1			
18	ALL MODELS	10050775AC	RING	1			
19	ALL MODELS	20004120AA	TR BEARING (32205)	1			
20	ALL MODELS	10050774AC	LOCKING WASHER	1			
21	ALL MODELS	10050773AB	WITHDRAWL NUT	1			
22	ALL MODELS	10050724AB	SLIDING GEAR-15 (4WD)	1			
23	ALL MODELS	10051148AA	SHIM 0.2 MM FOR LAY SHAFT	1			
24	ALL MODELS	10051284AA	SHIM 0.3 MM FOR LAY SHAFT	1			



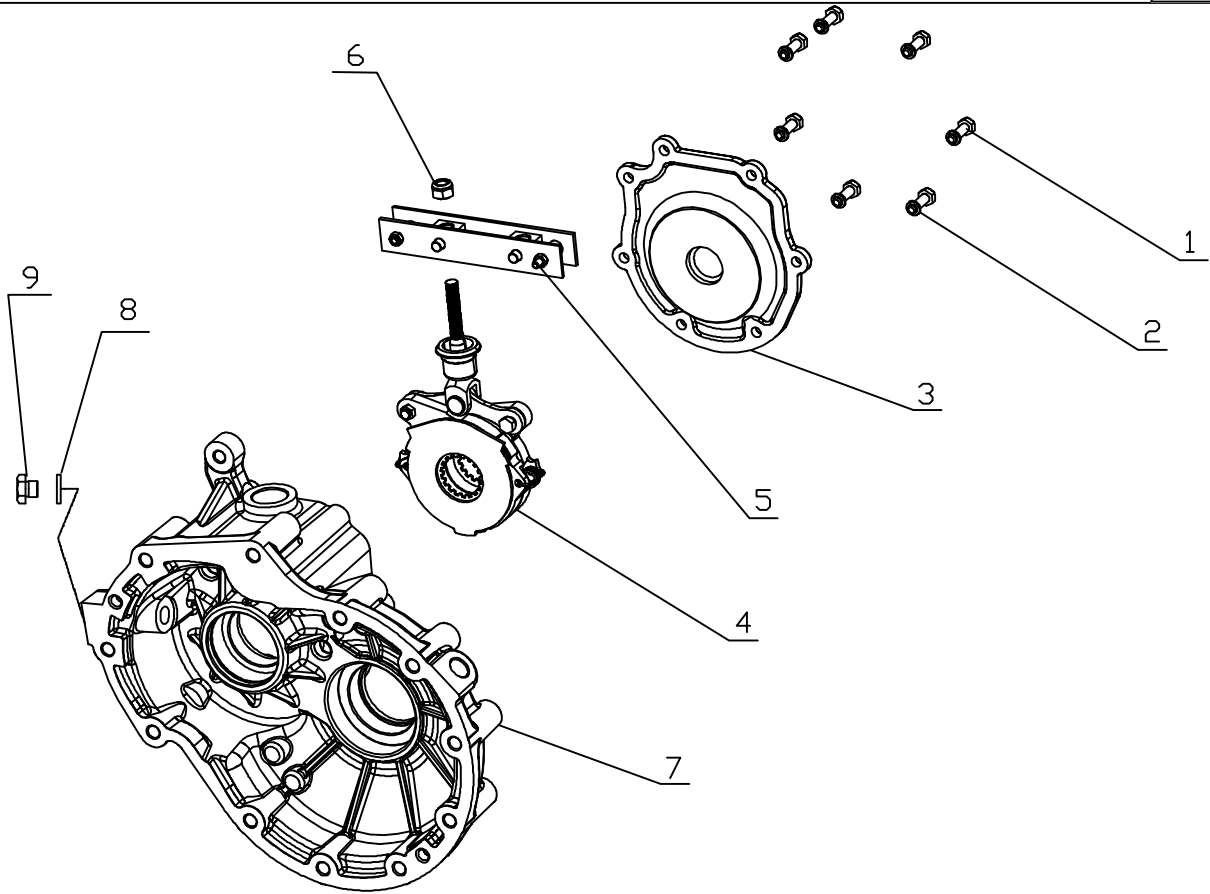
FOR:- SOLIS-26 EEC

No.	Model	Reference	Description	QTY	Remarks	Inter changeability	CUT OFF
1	ALL MODELS	10050813AF	DIFF. CAGE	1			
2	ALL MODELS	10030009AC	DIFFERENTIAL SIDE GEAR LINER	2			
3	ALL MODELS	10030005AG	DIFFERENTIAL SIDE GEAR (14T)	2			
4	ALL MODELS	10030008AD	DIFFERENTIAL PINION LINER	2			
5	ALL MODELS	10030006AF	DIFFERENTIAL PINION GEAR (10T)	2			
6	ALL MODELS	10050833AB	PINION SHAFT	1			
7	ALL MODELS	10050821AA	LOCKING WASHER(CROWN WHEEL)	5			
8		10051362AF	CROWN WHEEL & TAIL PINION SET (8X41)	1			
8A	ALL MODELS	10050768AE	TAIL PINION SHAFT	1	CHILPART OF ASSY S.NO 8		
8B		10030240AD	GEAR RING	1			
9	ALL MODELS	20002059AA	HEX SCREW M8X1.25X16	10			
10	ALL MODELS	10050840AD	CAGE CARRIER LEFT	1			
11	ALL MODELS	04000155100	BALL BEARING 6211	1			
12	ALL MODELS	10050843AC	CAGE CARRIER RIGHT	1			
13	ALL MODELS	20004124AA	BALL BEARING 6011	1			
14.1 (i)	ALL MODELS	10050848AB	SHIM 0.15	1	FOR CAGE CARRIER LEFT SIDE		
14.1 (ii)	ALL MODELS	10050849AB	SHIM 0.20	1			
14.1 (iv)	ALL MODELS	10050851AB	SHIM 0.50	1			
14.2(i)	ALL MODELS	10051927AA	SHIM 0.15	1	FOR CAGE CARRIER RIGHT SIDE		
14.2(ii)	ALL MODELS	10051928AA	SHIM 0.20	1			
14.2(iii)	ALL MODELS	10051929AA	SHIM 0.50	1			
15	ALL MODELS	20001089AA	HEX SCREW M8X1.25X25	12			
16	ALL MODELS	20004150AA	SPRING COTTER SLEEVE (DIA 6X28)	1			
17	ALL MODELS	10050852AA	LOCKING WASHER	6			



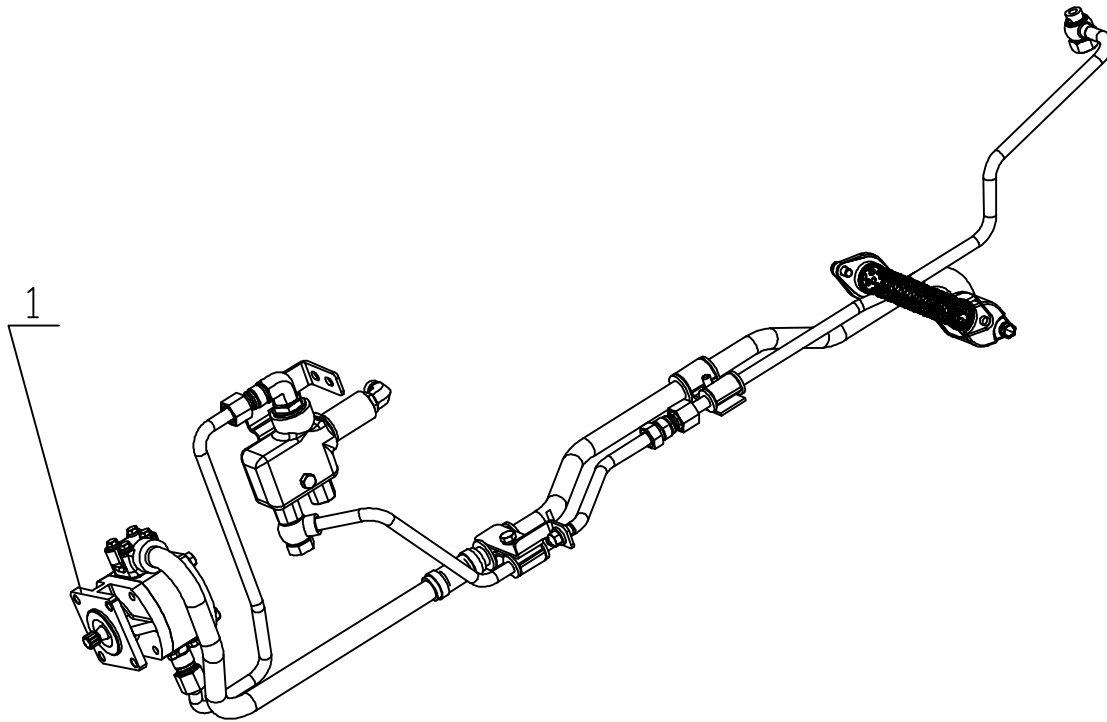
FOR:- SOLIS-26 EEC

No.	Model	Reference	Description	QTY	Remarks	Inter changeability	CUT OFF
1	ALL MODELS	10050749AA	SPRING DIFF. LOCK	1			
2	ALL MODELS	10050734AB	SLEEVE DIFF. LOCK	1			
3	ALL MODELS	10052717AB	B.P. SHAFT RIGHT	1			
	ALL MODELS	10052712AB	B.P. SHAFT LEFT	1			
4	ALL MODELS	20004125AA	BALL BEARING 63/28	2			
5	ALL MODELS	20003306AB	OIL SEAL 4D 065048	2			
6	ALL MODELS	04000145085	BALL BEARING(6209)	2			
7	ALL MODELS	10050718AB	SPACER BIG (REAR AXLE)	2			
8	ALL MODELS	10050717AC	REAR AXLE	2			
9	ALL MODELS	10050719AD	BULL GEAR	2			
10	ALL MODELS	10051060AB	SPACER SMALL (REAR AXLE)	2			
11	ALL MODELS	04000135072	BALL BEARING (6207)	2			
13	ALL MODELS	10053421AC	BRAKE HSG. RIGHT	1			
	ALL MODELS	10052487AD	BRAKE HSG. LEFT	1			
14	ALL MODELS	04030400010	SPRING WASHER B-10	22			
15	ALL MODELS	20004139AA	HEX HEAD BOLT M10X1.5X75	22			
16	ALL MODELS	10051264AB	DOWEL PIN(10X20)	4			
17	ALL MODELS	04020200035	EXTERNAL CIRCLIP A-35	2			
18	ALL MODELS	04020200035	EXTERNAL CIRCLIP A-35	2			
19	ALL MODELS	10053405AB	DIFF. LOCK PEDAL ASSY.	1			
21	ALL MODELS	04030400012	SPRING WASHER B-12	1			
21	ALL MODELS	10051239AB	WASHER (DIFF. LOCK)	1			
22	ALL MODELS	04020400012	CIRCLIP C-12	1			
23	ALL MODELS	10050750AC	LUG DIFF. LOCK ASSY.	1			
24	ALL MODELS	20004275AA	INTERNAL CIRCLIP B-68	2			
25	ALL MODELS	20004276AA	EXTERNAL CIRCLIP A-28 IS:3075	2			
27	ALL MODELS	10004041AA	WHEEL BOLT FRONT	10			
28	ALL MODELS	20003358AA	HEX. NUT M12	1			
29	ALL MODELS	10024016AB	DRAIN PLUG	2			
30	ALL MODELS	20004141AA	O-RING Ø10.6 x Ø2.3	1			
31	ALL MODELS	20004245AA	LOCTITE-574	0.7 ML			



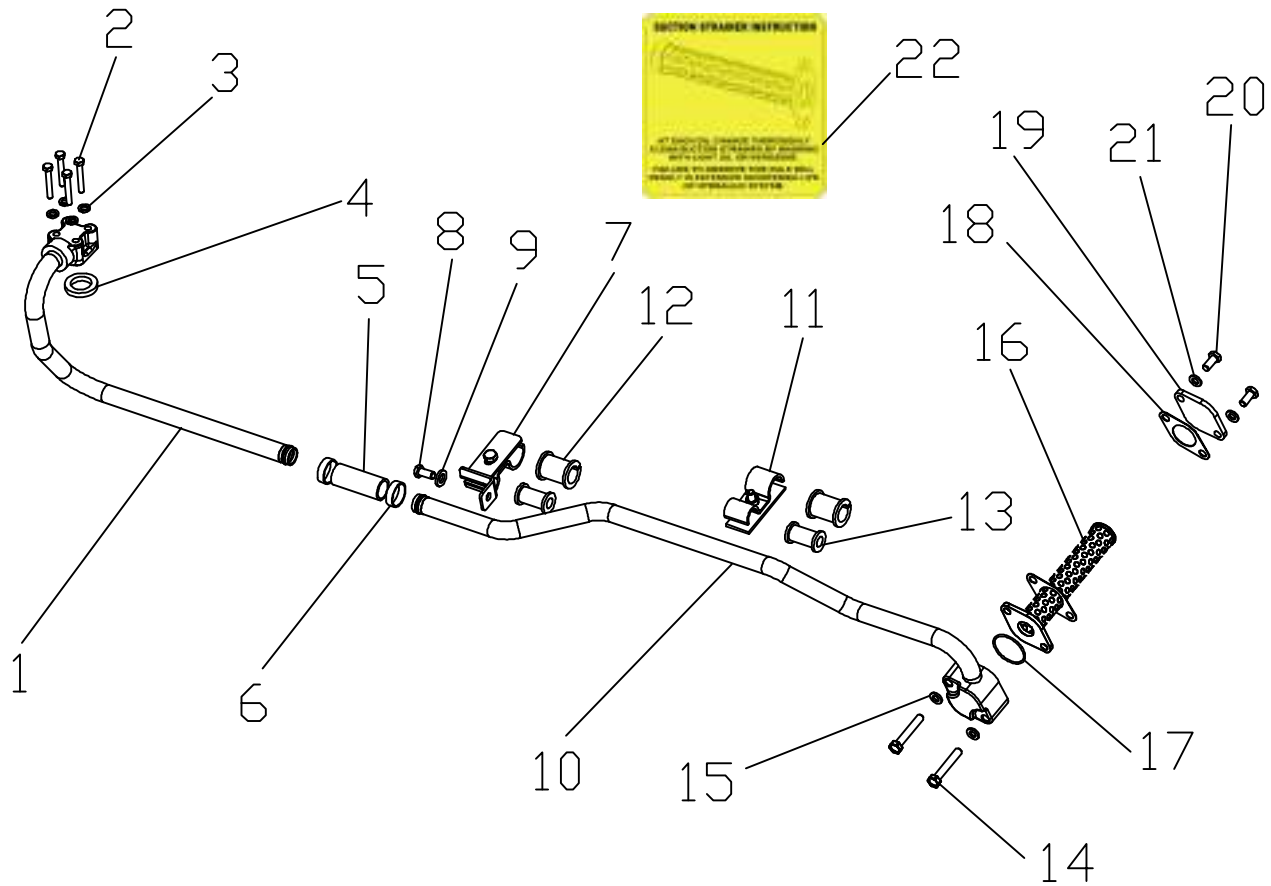
FOR:- SOLIS-26 EEC

No.	Model	Reference	Description	QTY	Remarks	Inter changeability	CUT OFF
1	ALL MODELS	20001089AA	Hex. head screw M8 x 1.25-25 8-8 SA	14			
2	ALL MODELS	04030400008	SPRING WASHER B-8	14			
3	ALL MODELS	10052522AA	BRAKE COVER RIGHT	1			
	ALL MODELS	10052469AA	BRAKE COVER LEFT	1			
4	ALL MODELS	10052531AB	OIB BRAKE ASSY (JMFT)	2			
5	ALL MODELS	10052624AB	BRACKET FOR OIB BRAKE	2			
6	ALL MODELS	04041000010	HEX NYLOCK NUT M10	2			
7	ALL MODELS	10052487AD	BRAKE HOUSING LEFT	1			
	ALL MODELS	10053421AC	BRAKE HOUSING RIGHT	1			
8	ALL MODELS	04030216020	SEALING WASHER DIA 16.2* DIA 20 * 1.5	1			
9	ALL MODELS	10000257AB	SEALING PLUG M16*1.5	1			
10	ALL MODELS	20004245AA	LOCTITE-574	0.7 ML			



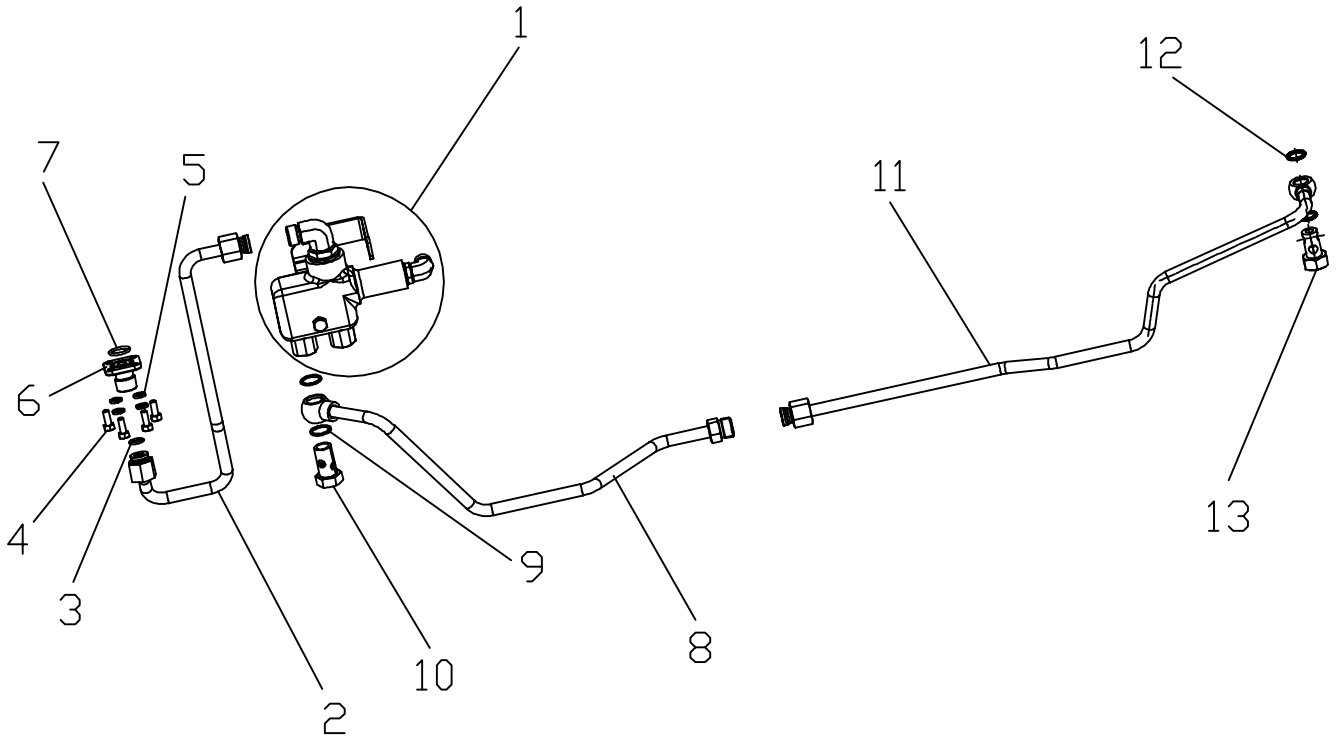
FOR:- SOLIS-26 EEC

No.	Model	Reference	Description	QTY	Remarks	Inter changeability	CUT OFF
1	ALL MODELS	10051321AB	HYDRAULIC PUMP	1			



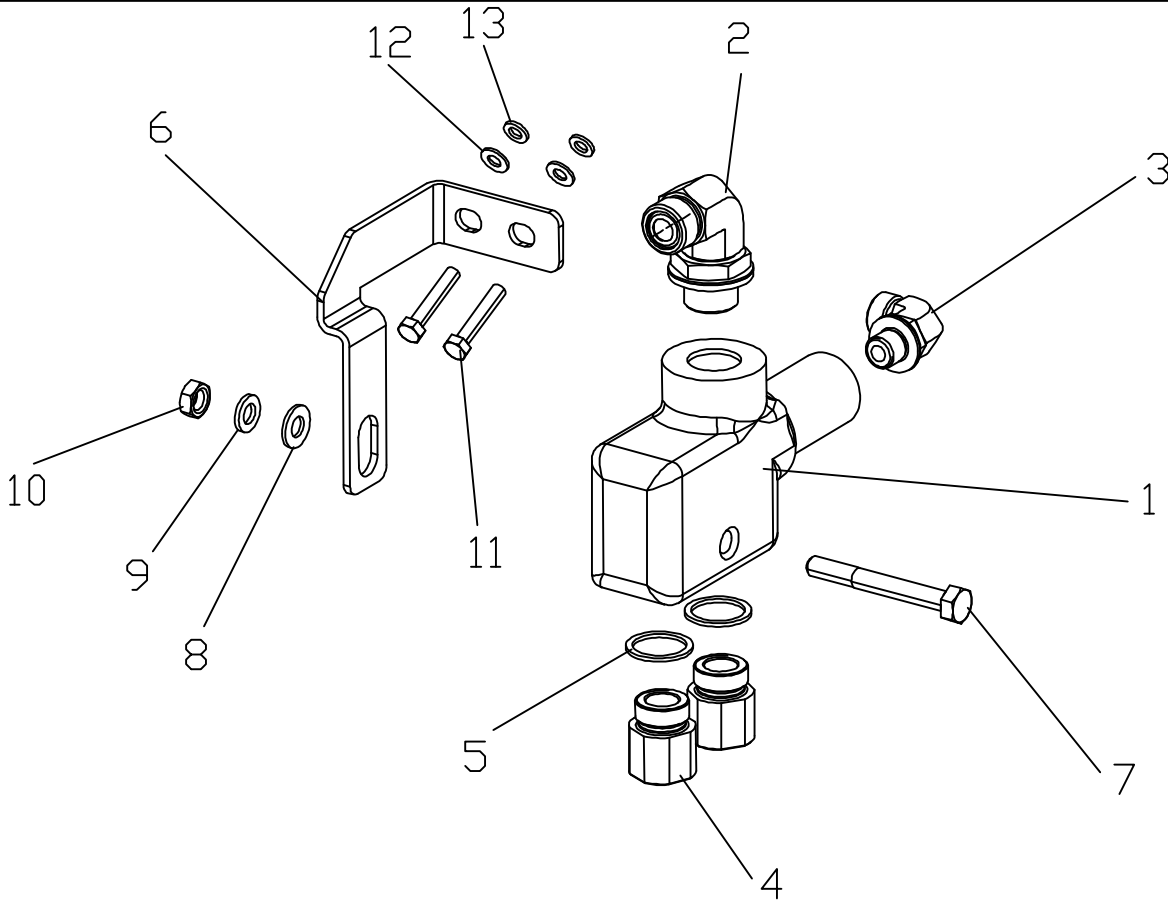
FOR:- SOLIS-26 EEC

No.	Model	Reference	Description	QTY	Remarks	Inter changeability	CUT OFF
1	ALL MODELS	10053325AA	SECONDARY SUCTION PIPE	1			
2	ALL MODELS	04040706040	HEX BOLT M6*40	4			
3	ALL MODELS	04030400006	SPRING WASHER B-6	4			
4	ALL MODELS	10051651AA	O RING Ø18.3XØ2.4	1			
5	ALL MODELS	10052696AA	SUCTION HOSE	1			
6	ALL MODELS	04080400036	HOSE WARM CLIP DIA 36	2			
7	ALL MODELS	10053388AB	CLAMP FOR SUCTION	1			
8	ALL MODELS	20002059AA	Hex. head screw M8 x 1.25 x 16 8-8 SA2JS	1			
9	ALL MODELS	04030400008	SPRING WASHER B-8	1			
10	ALL MODELS	10053324AA	PRIMARY SUCTION PIPE	1			
11	ALL MODELS	10051485AA	CLAMP ASSY	1			
12	ALL MODELS	10081598AA	VIBRATION DAMPER	2			
13	ALL MODELS	10051486AA	VIBRATION DAMPER	2			
14	ALL MODELS	20004136AA	HEX HEAD BOLT M8X1.25X55	2			
15	ALL MODELS	04030400008	SPRING WASHER B-8	2			
16	ALL MODELS	10051482BB	SUCTION STRAINER ASSY.	1			
17	ALL MODELS	10052711AA	O-RING DIA 37.82X1.78	1			
18	ALL MODELS	10052530AA	GASKET (STRAINER COVER)	2			
19	ALL MODELS	10052710AA	COVER PLATE	1			
20	ALL MODELS	20002059AA	Hex. head screw M8 x 1.25 x 16 8-8 SA2JS	2			
21	ALL MODELS	04030400008	SPRING WASHER B-8	2			
22	ALL MODELS	10052695AA	STICKER FOR SUCTION STRAINER	1			
23	ALL MODELS	10011185AB	LOCTITE-577	5.23 ml			



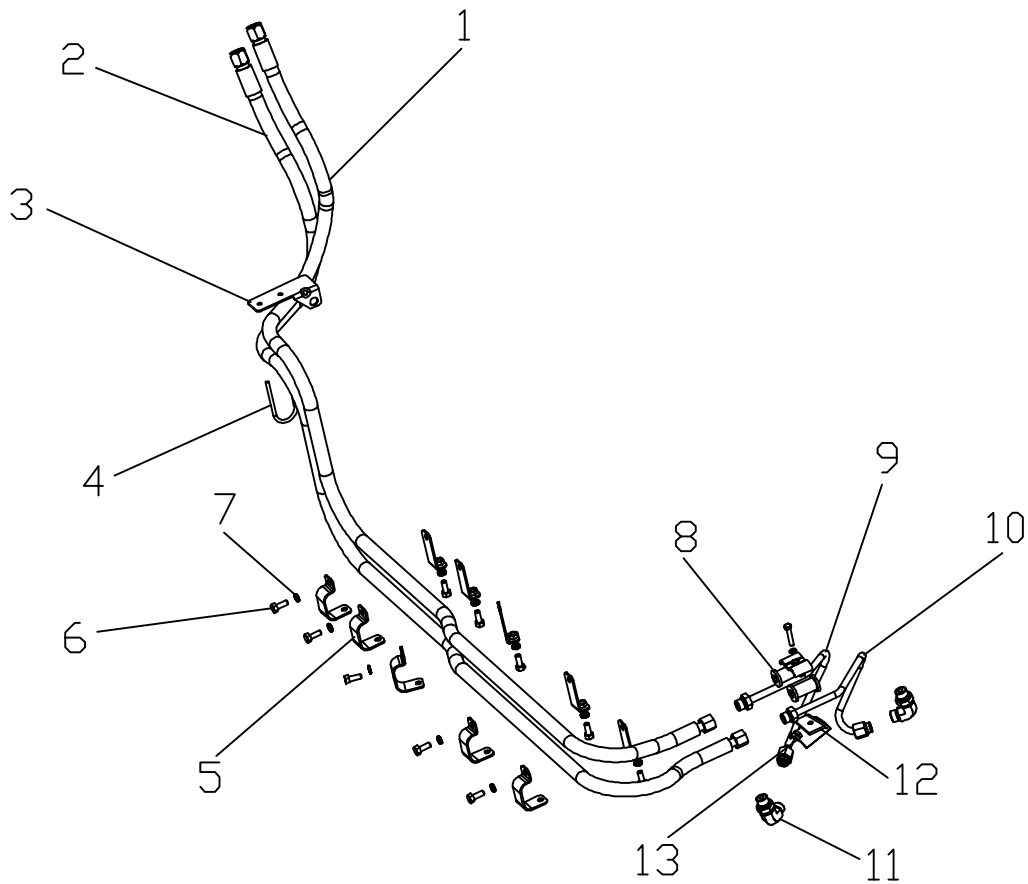
FOR:- SOLIS-26 EEC

No.	Model	Reference	Description	QTY	Remarks	Inter changeability	CUT OFF
1	ALL MODELS	10053068AA	PRIORITY VALVE	1			
2	ALL MODELS	10053326BA	DELIVERY PIPE (PUMP TO PRIORITY VALVE)	1			
3	ALL MODELS	20003737AA	O-RING Ø12.42xØ1.78	1			
4	ALL MODELS	04040106016	HEX SCREW M6*16	4			
5	ALL MODELS	04030400006	SPRING WASHER B-6	4			
6	ALL MODELS	10053655AA	DELIVERY ADOPTER	1			
7	ALL MODELS	10051651AA	O RING Ø18.3XØ2.4	1			
8	ALL MODELS	10053327AB	PRIMARY DELIVERY PIPE (PRIORITY VALVE TO DCV)	1			
9	ALL MODELS	10012573AA	BONDED SEAL FOR M18	2			
10	ALL MODELS	20003896AA	BANJO BOLT M18x1.5 IS:3174-1974	1			
11	ALL MODELS	10053328AA	SECONDARY DELIVERY PIPE (PRIORITY VALVE TO DCV)	1			
12	ALL MODELS	10012585AA	BONDED SEAL FOR 3/8" BSP	2			
13	ALL MODELS	10024269AA	BANJO BOLT Ø16.4(19TP)	1			



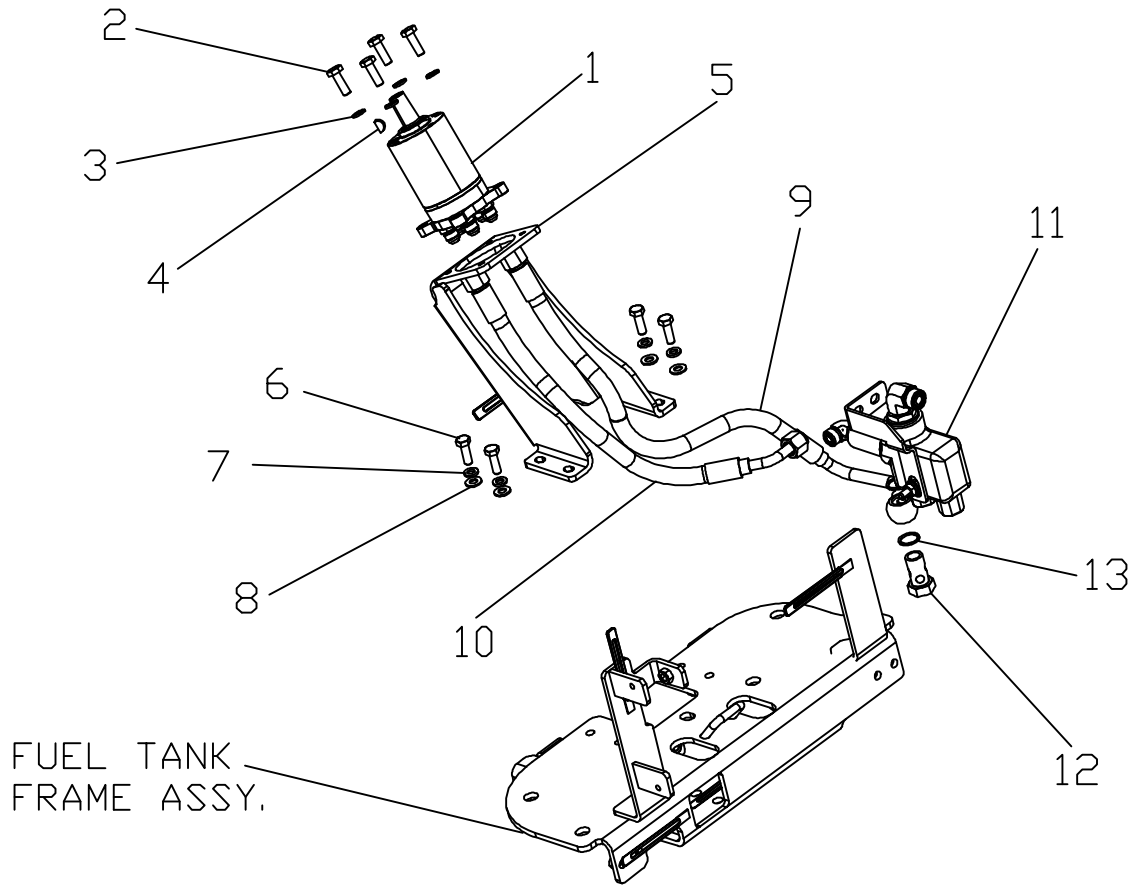
FOR:- SOLIS-26 EEC

No.	Model	Reference	Description	QTY	Remarks	Inter changeability	CUT OFF
1	ALL MODELS	10053068AA	PRIORITY VALVE	1			
2	ALL MODELS	10053155BA	90° ADJUSTABLE STUD ELBOW 12 x G1/2-A	1			
3	ALL MODELS	10053156BA	90° ADJUSTABLE STUD ELBOW 10 x G1/4-A	1			
4	ALL MODELS	10017560AA	ADOPTER 1/2" BSP	2			
5	ALL MODELS	10012579AB	BONDED SEAL FOR 1/2 " BSP	2			
6	ALL MODELS	10053387AC	PRIORITY VALVE MOUNTING BRACKET	1			
7	ALL MODELS	04040708065	Hex. head Bolt M8 x 1.25-65 8-8 SA2JS-Z	1			
8	ALL MODELS	04030600008	plain washer DIA 8.4 *DIA 17*1.6	1			
9	ALL MODELS	04030400008	SPRING WASHER B-8	1			
10	ALL MODELS	20003355AB	HEX NUT M8X1.25 -8 SA2JS	1			
11	ALL MODELS	20003285AB	HEX SCREW M8X1.25X30 8-8 SA2JS	2			
12	ALL MODELS	04030600008	plain washer DIA 8.4 *DIA 17*1.6	2			
13	ALL MODELS	04030400008	SPRING WASHER B-8	2			



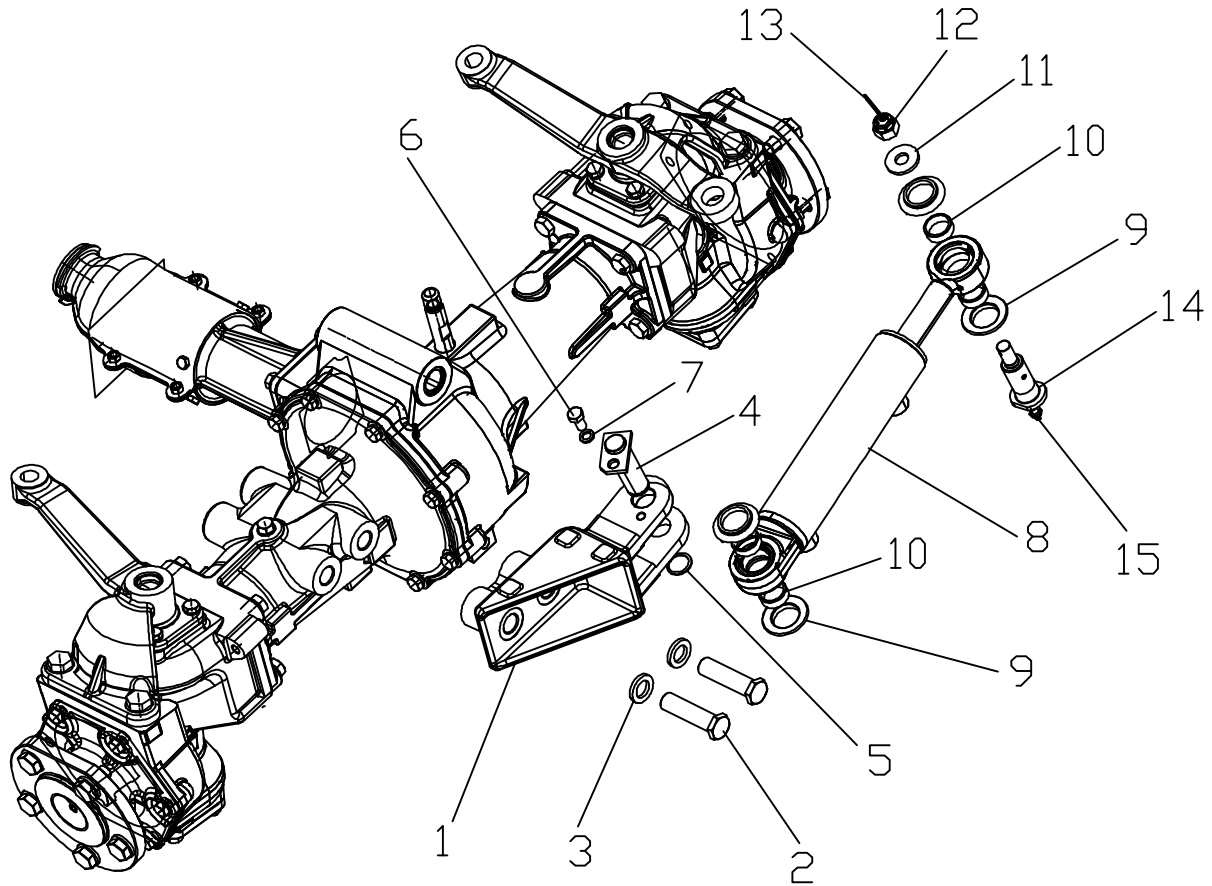
FOR:- SOLIS-26 EEC

No.	Model	Reference	Description	QTY	Remarks	Inter changeability	CUT OFF
1	ALL MODELS	10053449BC	SECONDRY FLEXIBLE PIPE (STEERING UNIT TO STEERING CYLINDER 'L' PORT)	1			
2	ALL MODELS	10053448BC	SECONDRY FLEXIBLE PIPE (STEERING UNIT TO STEERING CYLINDER 'R' PORT)	1			
3	ALL MODELS	10053657AA	CLAMP ASSY (FOR FLEXIBLE PIPE)	1			
4	ALL MODELS	33085038AA	PLASTIC STRAP LENGTH=390mm	1			
5	ALL MODELS	10053656AA	CLAMP ASSY (ST. UNIT TO ST. CYLINDER)	5			
6	ALL MODELS	04040106016	HEX SCREW M6*16	5			
7	ALL MODELS	04030400006	SPRING WASHER B-6	5			
8	ALL MODELS	10053778AA	VIBRATION DAMPER	2			
9	ALL MODELS	10053773AA	METALLIC PIPE (ST UNIT 'L' TO ST CYL LH)	1			
10	ALL MODELS	10053772AA	METALLIC PIPE (ST UNIT 'R' TO ST CYL RH)	1			
11	ALL MODELS	10012486AA	ORFS JIC 90° CONNECTION	2			
12	ALL MODELS	10053774AA	CLAMP FOR STEERING CYL PIPES	1			
13	ALL MODELS	20004049AA	HOSE WORM CLAMP DIA 52	1			



FOR:- SOLIS-26 EEC

No.	Model	Reference	Description	QTY	Remarks	Inter changeability	CUT OFF
1	ALL MODELS	10052960AC	STEERING UNIT 40CC	1			
2	ALL MODELS	20001089AA	Hex. head screw M8 x 1.25-25 8-8 SA2JS	4			
3	ALL MODELS	04030400008	SPRING WASHER B-8	4			
4	ALL MODELS	10053083AA	WOODRUF KEY	1			
5	ALL MODELS	10053305AA	STEERING UNIT MOUNTING BRACKET	1			
6	ALL MODELS	20001089AA	Hex. head screw M8 x 1.25-25 8-8 SA2JS	4			
7	ALL MODELS	04030400008	SPRING WASHER B-8	4			
8	ALL MODELS	04030600008	plain washer DIA 8.4 *DIA 17*1.6	4			
9	ALL MODELS	10053310BB	FLEXIBLE PIPE FROM PRIORITY VALVE 'CF' TO STG UNIT 'P'	1			
10	ALL MODELS	10053309BC	FLEXIBLE PIPE FROM PRIORITY VALVE 'L' TO STG UNIT 'E'	1			
11	ALL MODELS	10053068AA	PRIORITY VALVE	1			
12	ALL MODELS	20003896AA	BANJO BOLT M18x1.5 IS:3174-1974	1			
13	ALL MODELS	10012573AA	BONDED SEAL FOR M18	2			
14	ALL MODELS	10011185AB	LOCTITE-577	2.610	ml		



FOR:- SOLIS-26 EEC

No.	Model	Reference	Description	QTY	Remarks	Inter changeability	CUT OFF
1	ALL MODELS	10053792AA	CYLINDER MOUNTING BRACKET	1			
2	ALL MODELS	20004734AA	HEX BOLT M16X1.5X60 10.9 SA2JS	2			
3	ALL MODELS	04030400016	SPRING WASHER B-16	2			
4	ALL MODELS	10053078AA	LOCKING PIN	1			
5	ALL MODELS	10070787AA	CIRCLIP 20X1.75XH IS: 3075 (PART 1)	1			
6	ALL MODELS	20002059AA	Hex. head screw M8 x 1.25 x 16 8-8 SA2JS	1			
7	ALL MODELS	04030400008	SPRING WASHER B-8	1			
8	ALL MODELS	10052959AA	STEERING CYLINDER	1			
9	ALL MODELS	10070775AA	RUBBER PAD FOR SPACER	4			
10	ALL MODELS	10070768AA	SPACER CYLINDER	4			
11	ALL MODELS	10053086AA	SPACER	1			
12	ALL MODELS	20004653AA	CASTLE NUT	1			
13	ALL MODELS	04010102025	SPLIT PIN DIA 2*25	1			
14	ALL MODELS	10053080AC	PIN DIA-20	1			
15	ALL MODELS	20004029AA	GREASE NIPPLE M6X1	1			