



**First Choice**  
Group

SPARE PARTS DIAGRAM FOR



**Dishwasher**

Eco+H603

Eco+H603/S

Eco+H603/S-10A

First Choice Group  
Blakeney Way, Kingswood Lakeside  
Cannock, Staffs, WS11 8LD  
TEL: 01543 577778 FAX: 01543504141  
Email: [enquires@firstchoice-cs.co.uk](mailto:enquires@firstchoice-cs.co.uk)  
Web: [www.firstchoice-cs.co.uk](http://www.firstchoice-cs.co.uk)

## WAREWASHING



Hood-type Dishwasher

## ECOMAX PLUS 603

H603

Spare Parts Catalogue

EN

---



**Valid for the following models:****ECOMAX PLUS:**

H603  
H603S

**Note:**

For other voltages or electric components, refer to the wiring diagram shipped with the machine. Observe wiring diagram.

**Legende**

-  Recommended spare parts
-  Wearing parts

**Publisher**

HOBART GmbH  
ecomax by HBOART  
Robert-Bosch-Str. 17  
77656 Offenburg

Tel +49(0)781.600-0  
Fax +49(0)781.600-23 19

E-Mail: [info@hobart.de](mailto:info@hobart.de)  
Internet: [www.hobart.de](http://www.hobart.de)

**Product disclaimer**

Installations and repairs carried out by non-authorized technicians or using non-genuine spare parts, and any technical alterations to the machine not approved by the manufacturer will invalidate the manufacturer's warranty and product liability.

HOBART reserves the right to make changes or improvements to its products without prior notice.

Detailed information can be obtained from your specialist dealer or from:

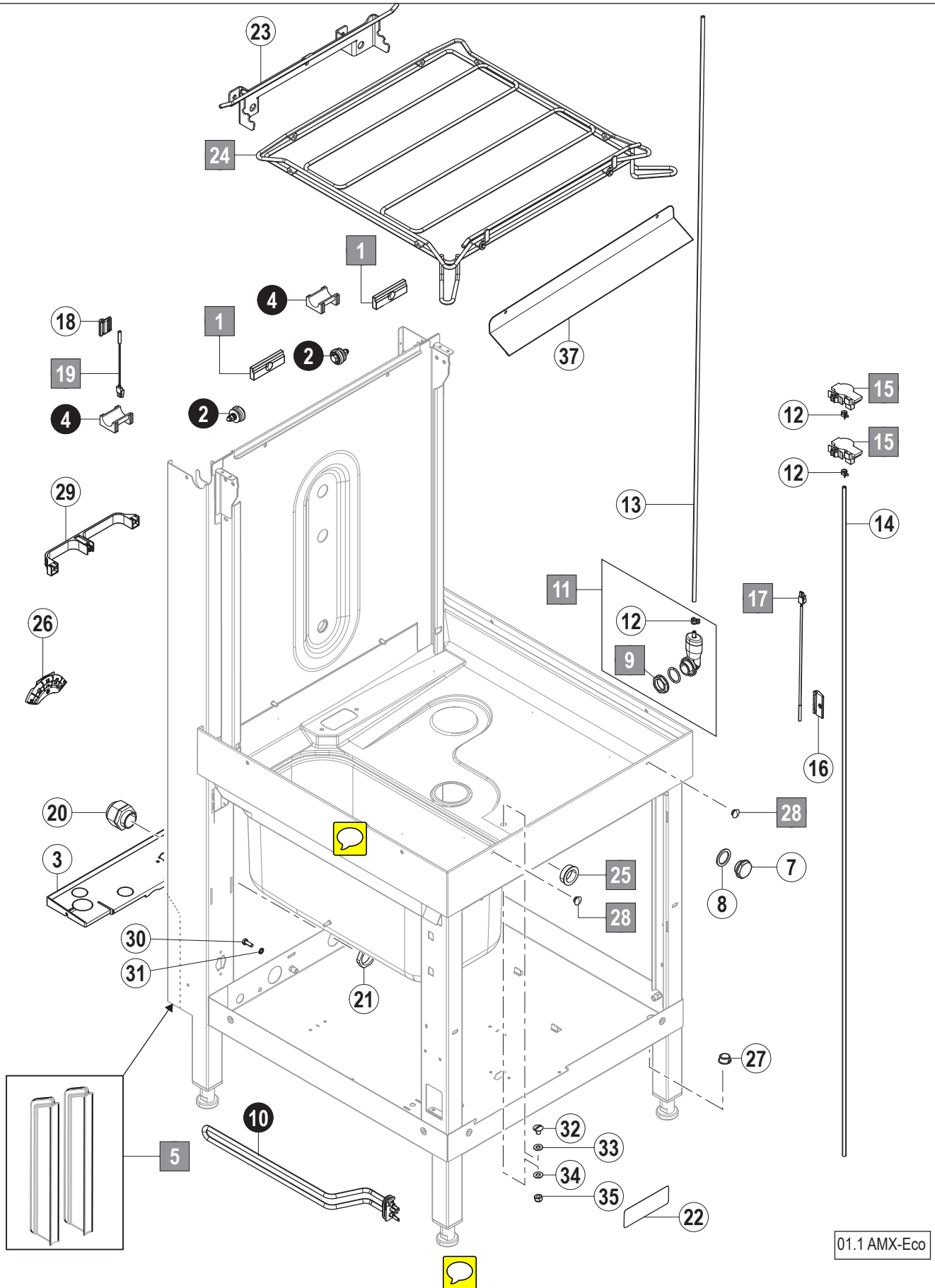
SERVICE Tel. 01803 45 62 58  
Internet: [www.hobart.de](http://www.hobart.de)  
E-Mail: [info@hobart.de](mailto:info@hobart.de) (within Germany)

© HOBART GmbH, Offenburg 2015

---

Page	Chapter	Contents
<b>4</b>	<b>1.</b>	<b>Base frame</b>
<b>6</b>	<b>2.</b>	<b>Hood</b>
<b>8</b>	<b>3.</b>	<b>Hoodlift handle</b>
<b>10</b>	<b>4.</b>	<b>Covering</b>
<b>12</b>	<b>5.</b>	<b>Filling without Softener</b>
<b>14</b>	<b>6.</b>	<b>Filling with Softener</b>
<b>16</b>	<b>7.</b>	<b>Drain system</b>
<b>18</b>	<b>8.</b>	<b>Strainer system</b>
<b>20</b>	<b>9.</b>	<b>Wash system</b>
<b>22</b>	<b>10.</b>	<b>Wash pump</b>
<b>24</b>	<b>11.</b>	<b>Hot water tank 6,15 kW</b>
<b>26</b>	<b>12.</b>	<b>Switch box</b>
<b>28</b>	<b>13.</b>	<b>Dosage</b>

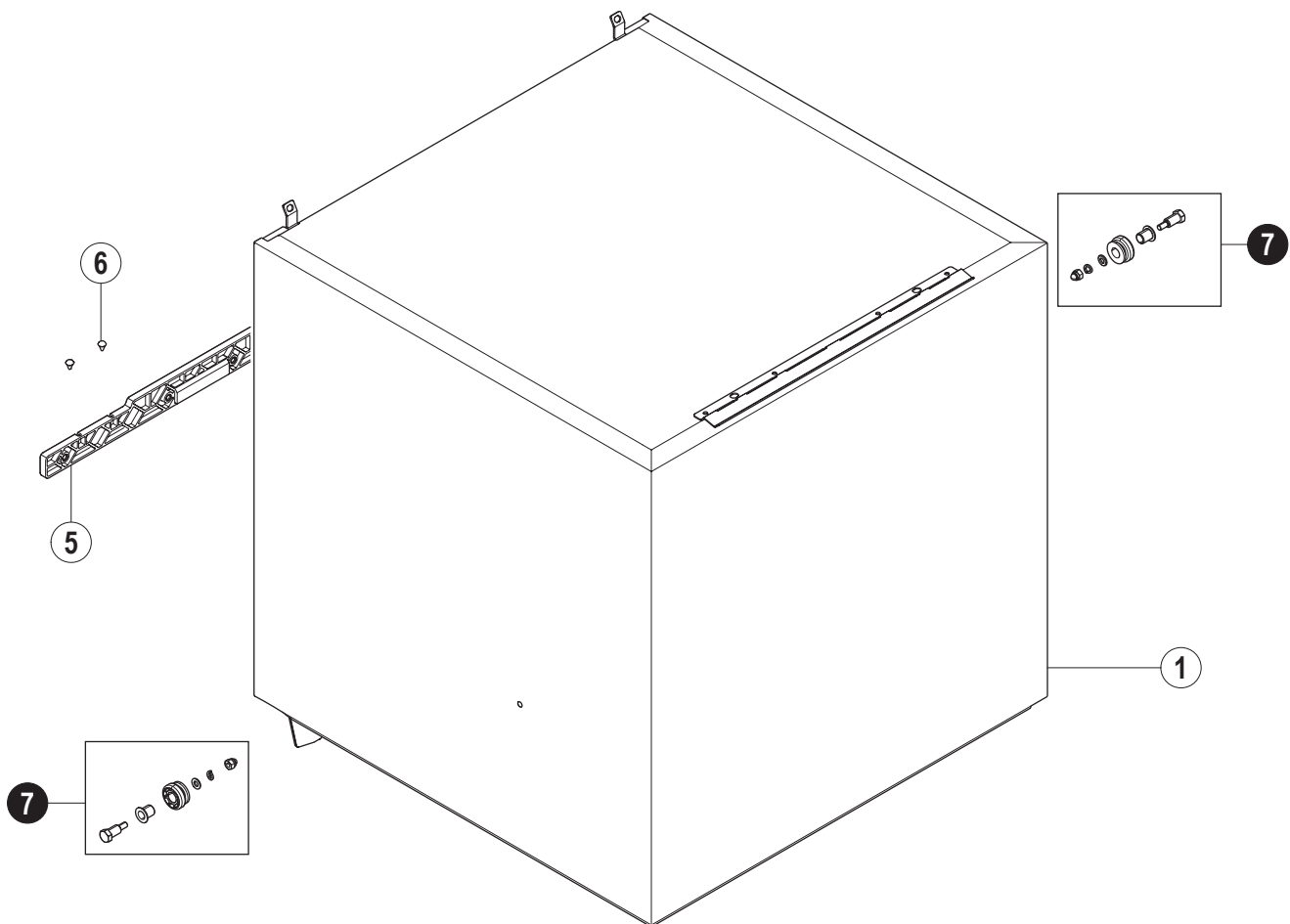
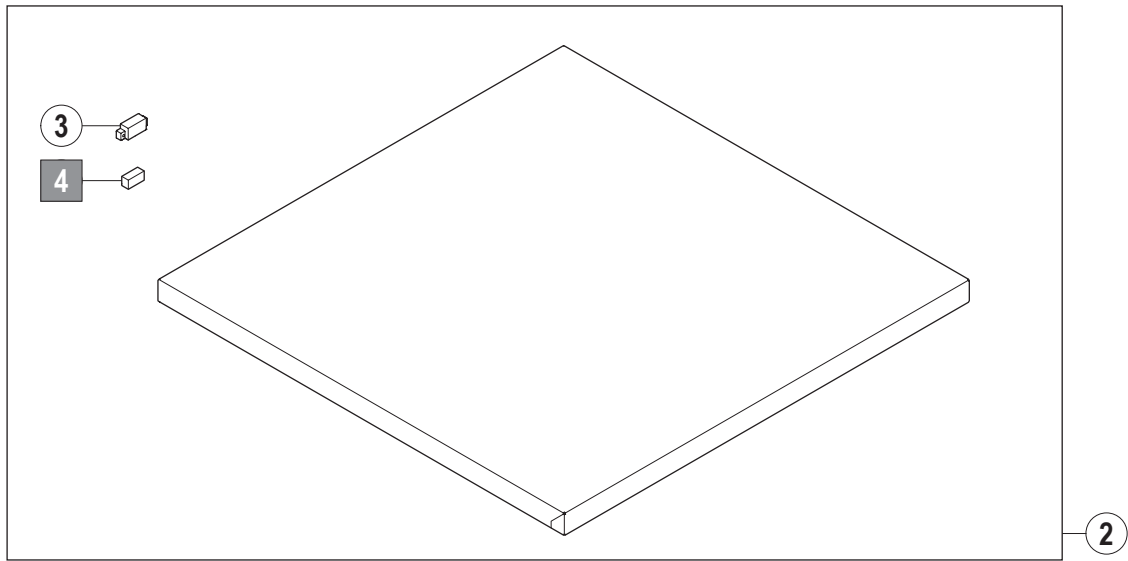
### 1. Base frame



01.1 AMX-Eco

Pos. no.	Part no.	Part name	Remarks
1	01-246900-001	Distance block	
2	01-515688-001	Roller compl.	
3	01-515789-001	Cover back side	
4	00-898024-001	Bearing	
5	01-539610-001	Spare parts kit cover U-Profil	
6	00-324510-341	Hose clip	
7	01-297500-001	Cover	
8	00-775305-001	Sealing	
9	00-324384-000	Nut	
10	00-883423-001	Tank heater	
11	01-515334-001	Air chamber, replacement kit	incl. Pos. 9 + 12
12	01-246214-003	Hose clip	
13	00-324402-022	Hose	
14	00-324402-023	Hose	
15	00-775866-202	Pressure transmitter	
16	01-297719-001	Bracket temperature sensor	
17	00-775612-001	Temperature sensor	
18	01-515259-001	Bracket gas reed switch	
19	01-515276-001	Reed switchreed switch	
20	00-695661-005	Cable fitting	
21	00-695664-005	Counter nut	
22	01-240359-001	Label warning notice	
23	01-539589-001	Bracket rack frame	
24	01-539519-003	Rack frame	
25	00-886756-002	Insulation bushing	
26	01-515897-001	Hose guidance rail	
27	00-895609-001	Cover cap	
28	00-886859-001	Plug	
29	01-539512-001	Hose guidance rail	
30	00-602570-000	Screw	
31	00-605283-001	Fan washer	
32	00-603654-000	Screw	only without cleaner dosage
33	00-172986-010	Sealing	only without cleaner dosage
34	00-602287-000	Washer	only without cleaner dosage
35	00-602503-000	Nut	only without cleaner dosage
37	00-883994-001	Splash guard	

2. Hood



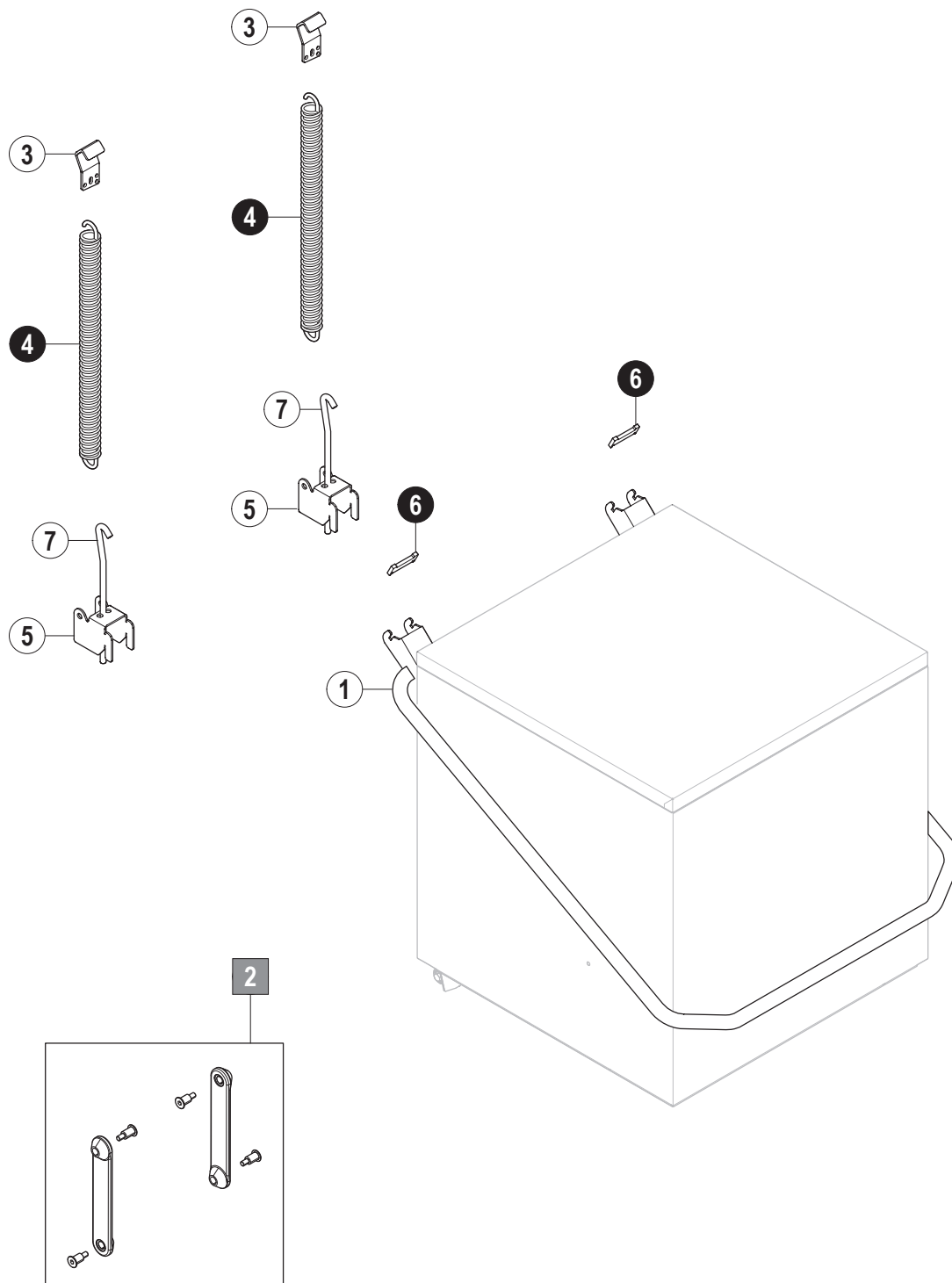
01.2 AMX-Eco

---

<b>Pos. no.</b>	<b>Part no.</b>	<b>Part name</b>	<b>Remarks</b>
1	01-515530-003	Hood without insulation	
2	01-515915-001	Cover Hood	incl. Pos. 3 + 4
3	00-883746-001	Magnet retainer	
4	00-775860-001	Magnet	
5	01-297717-001	Block	
6	00-228828-000	Stopper	
7	01-515688-001	Roller compl.	



### 3. Hoodlift handle

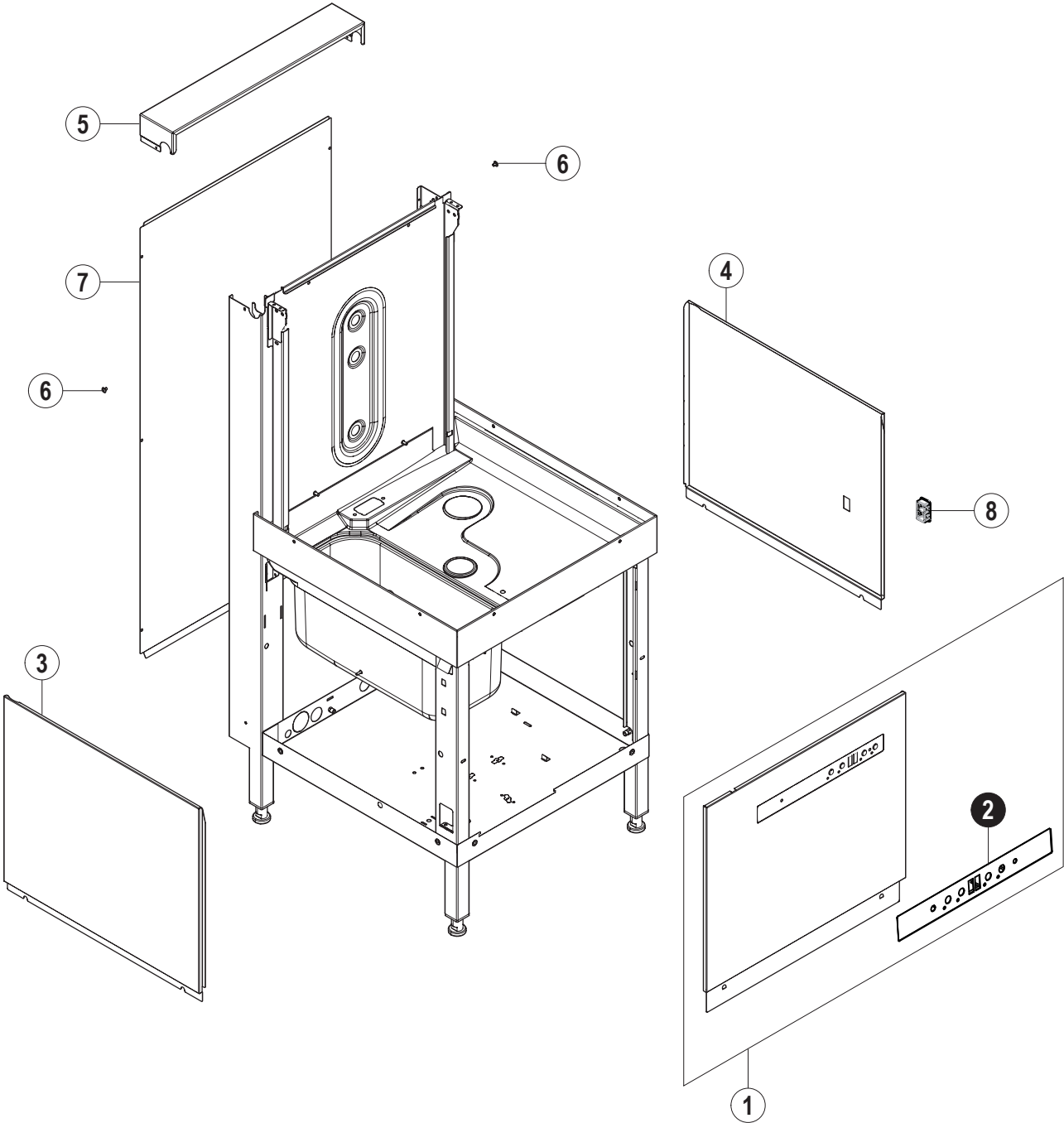


01.3 AMX-Baraid

---

<b>Pos. no.</b>	<b>Part no.</b>	<b>Part name</b>	<b>Remarks</b>
1	01-515644-002	Hoodlift handle	
2	00-883947-001	Spare parts kit hood link	
3	00-883631-001	Spring bracket	
4	00-898028-001	Spring	
5	01-539539-001	Mounting bracket spring	
6	00-883683-002	Spring retaining bolt	
7	00-883931-001	Hook spring	

4. Covering

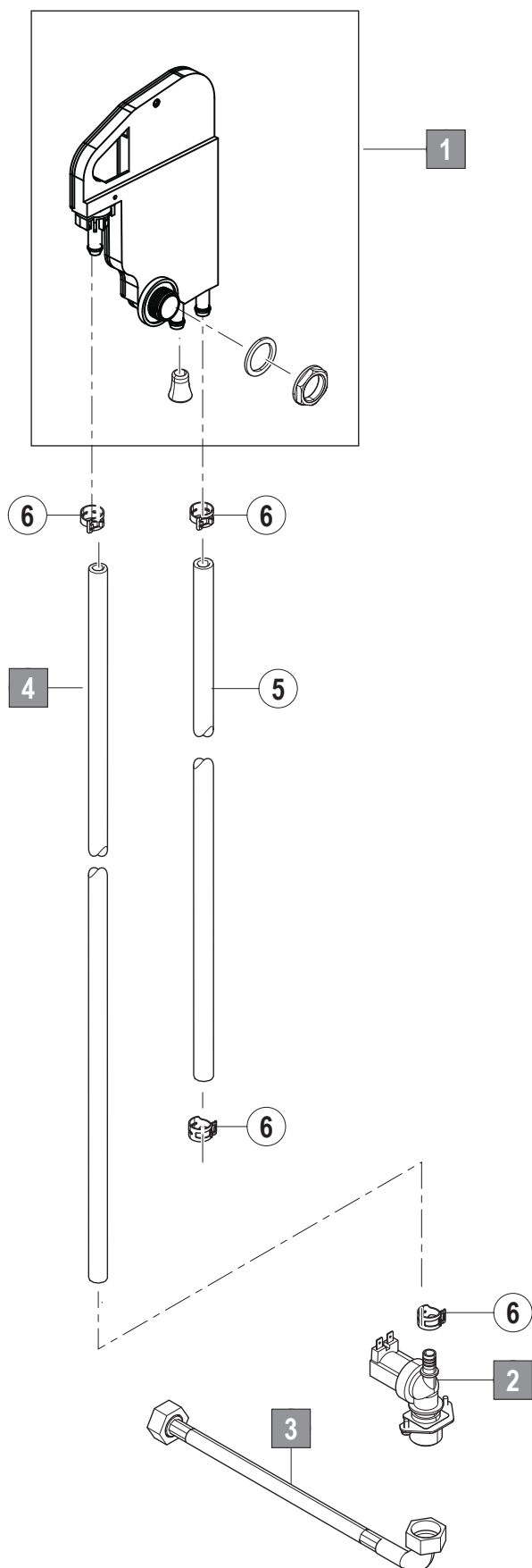


01.4 EcoPlus

---

<b>Pos. no.</b>	<b>Part no.</b>	<b>Part name</b>	<b>Remarks</b>
1	01-515955-008	Covering front side	incl. Pos. 2
2	01-297749-003	Film keypad	
3	01-515959-001	Covering left	
4	01-515925-001	Covering right	
5	01-515947-001	Back cover	
6	00-883731-001	Screw	
7	01-515948-001	Back covering	Optional only
8	01-539605-001	Cover	

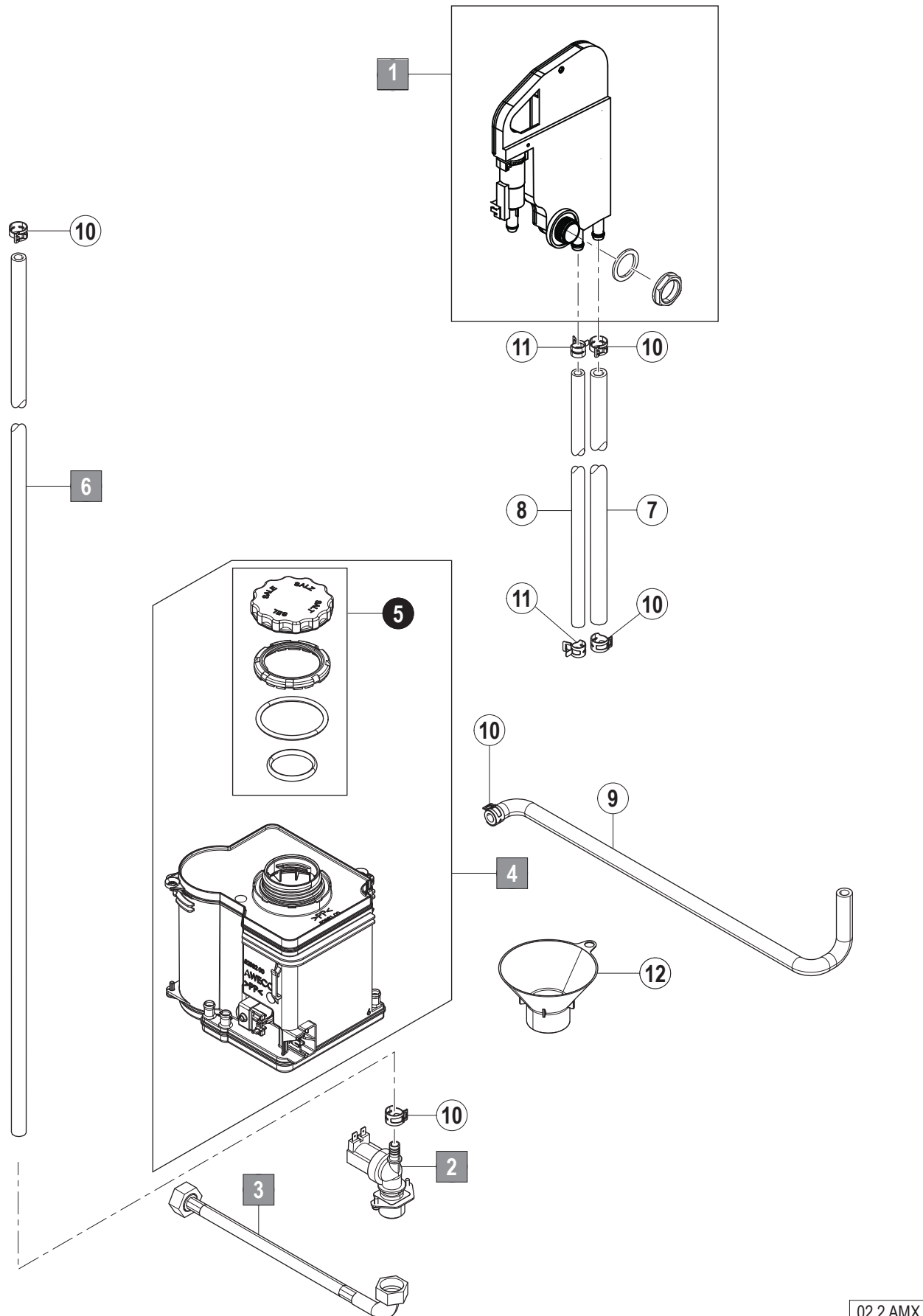
## 5. Filling without Softener



---

<b>Pos. no.</b>	<b>Part no.</b>	<b>Part name</b>	<b>Remarks</b>
1	01-515331-001	Spare parts kit waterbreak	
2	00-883658-001	Filling valve	
3	01-240316-003	Water supply hose	
4	01-246371-015	Hose	
5	01-297802-008	Hose	
6	01-246214-002	Hose clip	

### 6. Filling with Softener

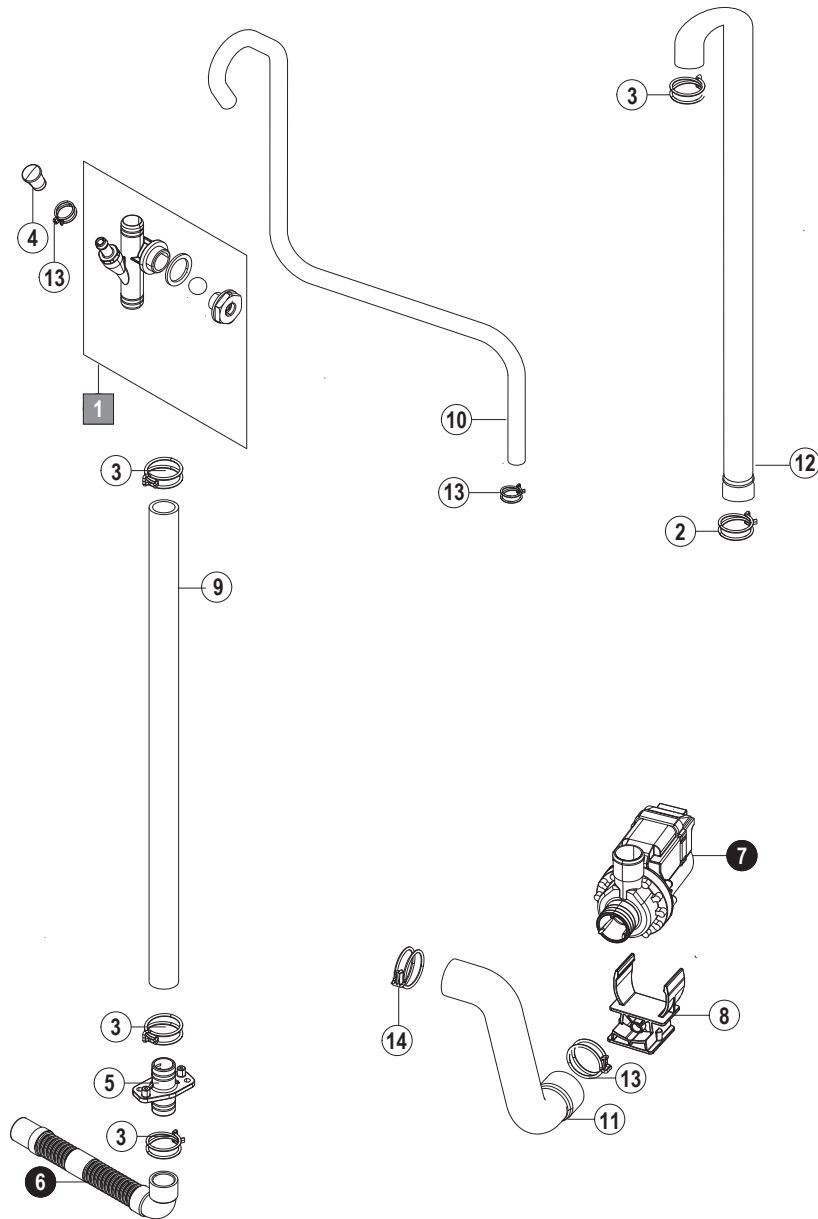


02.2 AMX

Pos. no.	Part no.	Part name	Remarks
1	01-515331-002	Spare parts kit waterbreak	
2	00-883658-001	Filling valve	
3	01-240316-003	Water supply hose	
4	01-515030-001	Softener	incl. Pos. 5
5	01-515030-050	Spare parts kit softener cover lid	
6	01-246371-015	Hose	
7	01-297802-008	Hose	
8	00-775611-010	Hose	
9	01-515867-001	Hose	
10	01-246214-002	Hose clip	
11	01-246214-008	Hose clip	
12	01-515277-001	Funnel	



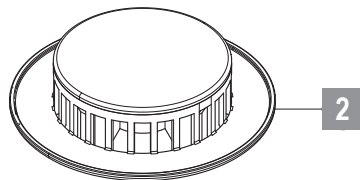
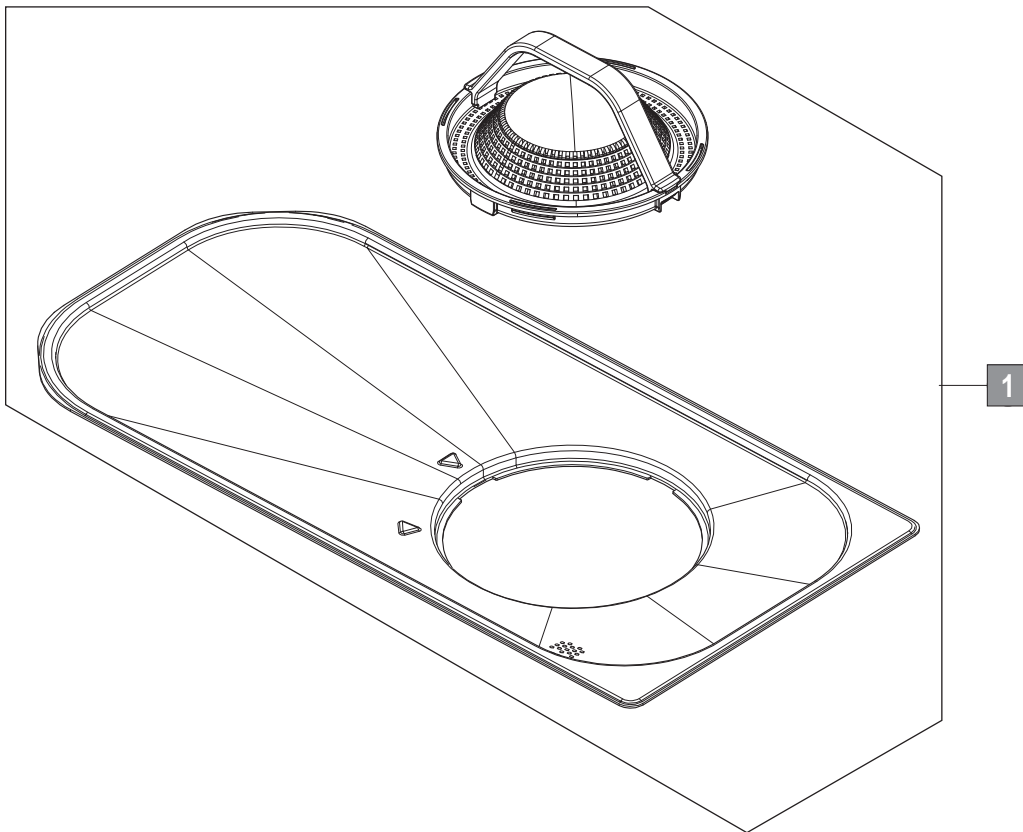
## 7. Drain system



03.0 AMX

Pos. no.	Part no.	Part name	Remarks
1	01-515775-001	Ventilation valve, compl.	
2	00-324510-372	Hose clip	
3	00-324510-287	Hose clip	
4	00-775531-001	Blind plug	Without softener only
5	01-240159-001	Drain connection	
6	00-883961-002	Drain hose	
7	01-297707-002	Drain pump	
8	01-515923-001	Bracket pump	
9	01-515856-001	Hose	
10	01-515868-001	Hose	With softener only
11	01-515937-001	Hose	
12	01-515935-001	Hose	
13	00-324510-429	Hose clip	
14	00-324510-388	Hose clip	

8. Strainer system

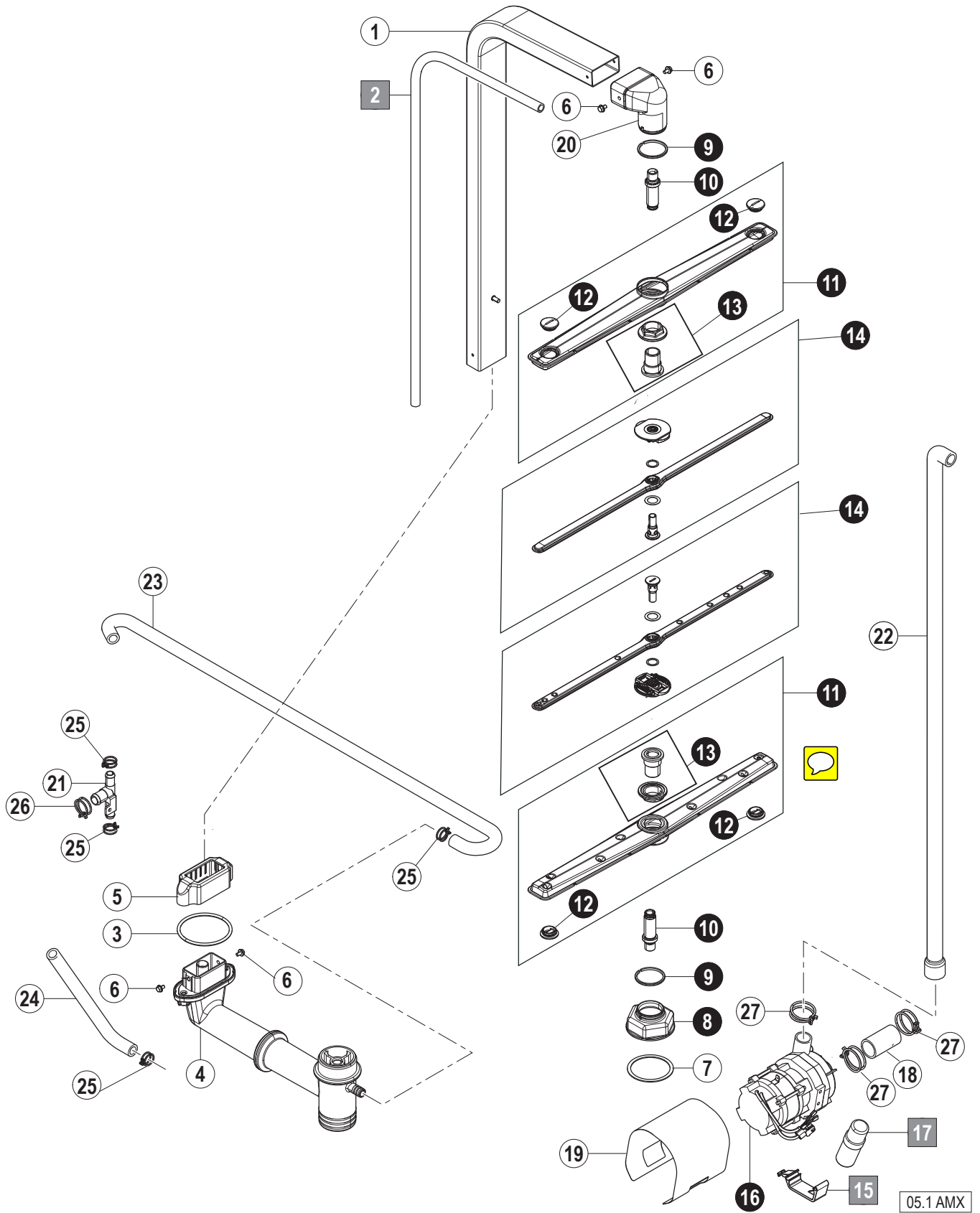



04.2 AMX-FHE

---

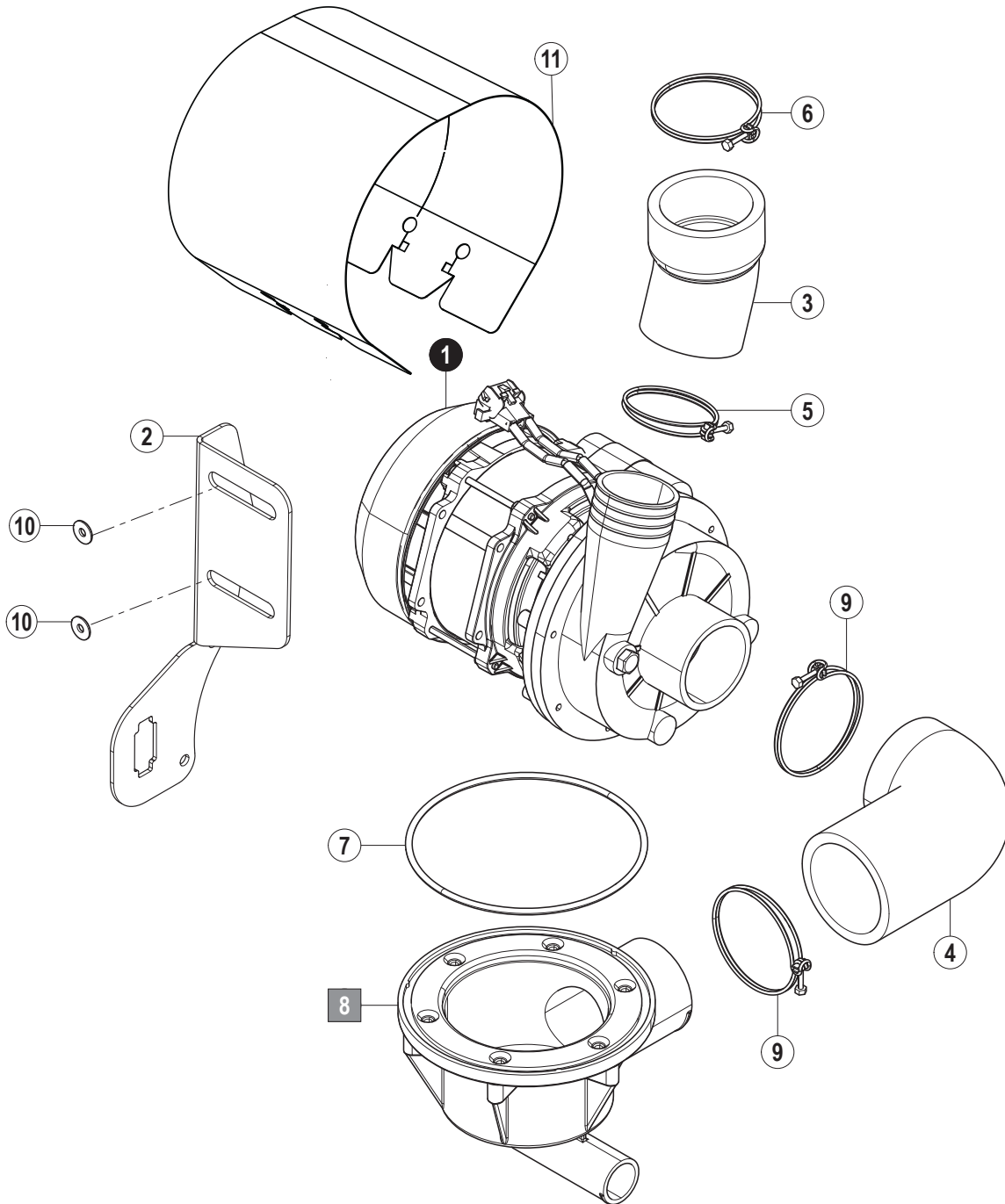
<b>Pos. no.</b>	<b>Part no.</b>	<b>Part name</b>	<b>Remarks</b>
1	01-539544-001	Strainer system compl.	
2	00-883733-001	Drain strainer	

9. Wash system



Pos. no.	Part no.	Part name	Remarks
1	01-515685-001	Manifold	
2	00-883512-001	Wash pipe	
3	00-276903-065	O-ring	
4	01-515649-001	Wash arm base, bottom	
5	01-515687-001	Cover manifold	
6	00-609782-000	Screw	
7	00-172986-035	Sealing	
8	00-883496-001	Separating nut	
9	00-775933-003	Slide ring	
10	00-883479-002	Axle wash arm	without Clip-in
	01-515835-001	Axle wash arm	with Clip-in
11	01-240050-001	Wash arm, compl. 	without Clip-in
	01-515575-001	Wash arm, compl.	with Clip-in
12	01-240028-001	Wash arm plug	without Clip-in
	01-886610-000	Wash arm plug	with Clip-in
13	01-539624-001	Spare parts kit wash arm guidance	with Clip-in
14	01-240096-003	Spare parts kit rinse arm	without Clip-in
	01-539620-001	Spare parts kit rinse arm	with Clip-in
15	01-515154-001	Bracket rinse pump	
16	01-515260-001	Rinse pump	
17	00-226568-002	Condensor	
18	00-883145-012	Hose	
19	01-515763-001	Cover	
20	00-883467-001	Wash arm base, top	
21	00-324071-000	T-piece	
22	01-515846-001	Hose	
23	01-515847-001	Hose	
24	01-515848-001	Hose	
25	00-324510-202	Hose clip	
26	00-324510-242	Hose clip	
27	00-324510-327	Hose clip	

10. Wash pump



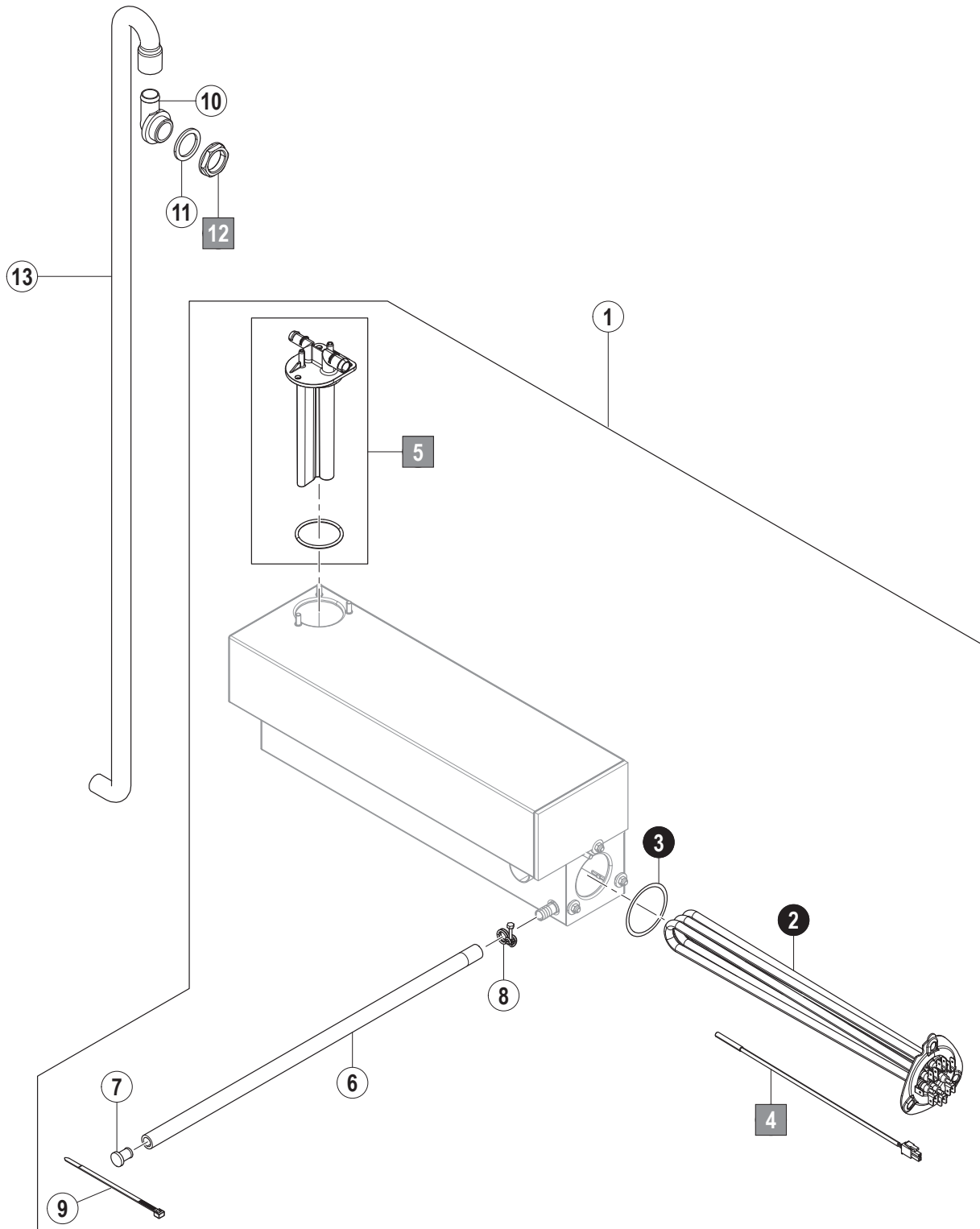
10.4 AMX

Pos. no.	Part no.	Part name	Remarks
1	01-515765-001	Wash pump	
	01-515765-010	Spare parts kit 50 Hz	
	01-515765-020	Spare parts kit 60 Hz	
2	01-515692-001	Bracket pump	
3	01-515798-001	Hose	
4	01-515945-001	Hose	
5	00-323945-064	Hose clip	
6	00-323945-072	Hose clip	
7	00-276903-028	O-ring	
8	00-883735-001	Tank flange	
9	00-323945-076	Hose clip	
10	00-603373-000	Washer	
11	01-539656-001	Cover pump	



Hot water tank 6,15 kW

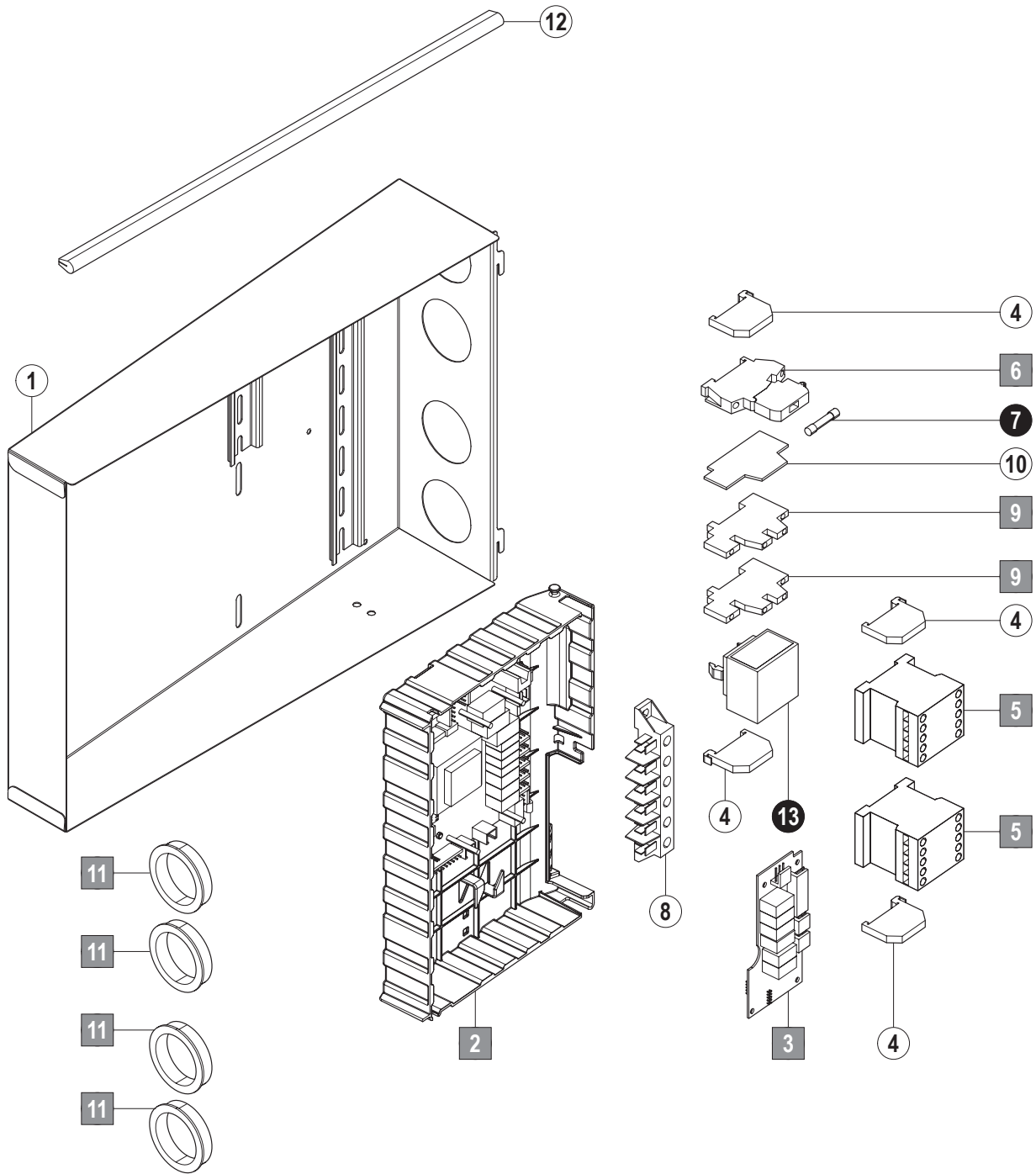
11. Hot water tank 6,15 kW



06.1 AMX

Pos. no.	Part no.	Part name	Remarks
1	01-515141-001	Hot water tank, compl.	incl. Pos. 2 - 9
2	01-515258-001	Hot water tank heater	
3	01-240135-011	O-ring	
4	00-775612-001	Temperature sensor	
5	01-515332-001	Spare parts kit hot water tank connection chamber	
6	00-774080-001	Hose	
7	00-774512-001	Plug	
8	00-323945-015	Hose clip	
9	00-165128-001	Cable tie	
10	00-324097-000	Filler piece	
11	00-775305-001	Sealing	
12	00-324384-000	Nut	
13	01-515854-001	Hose	

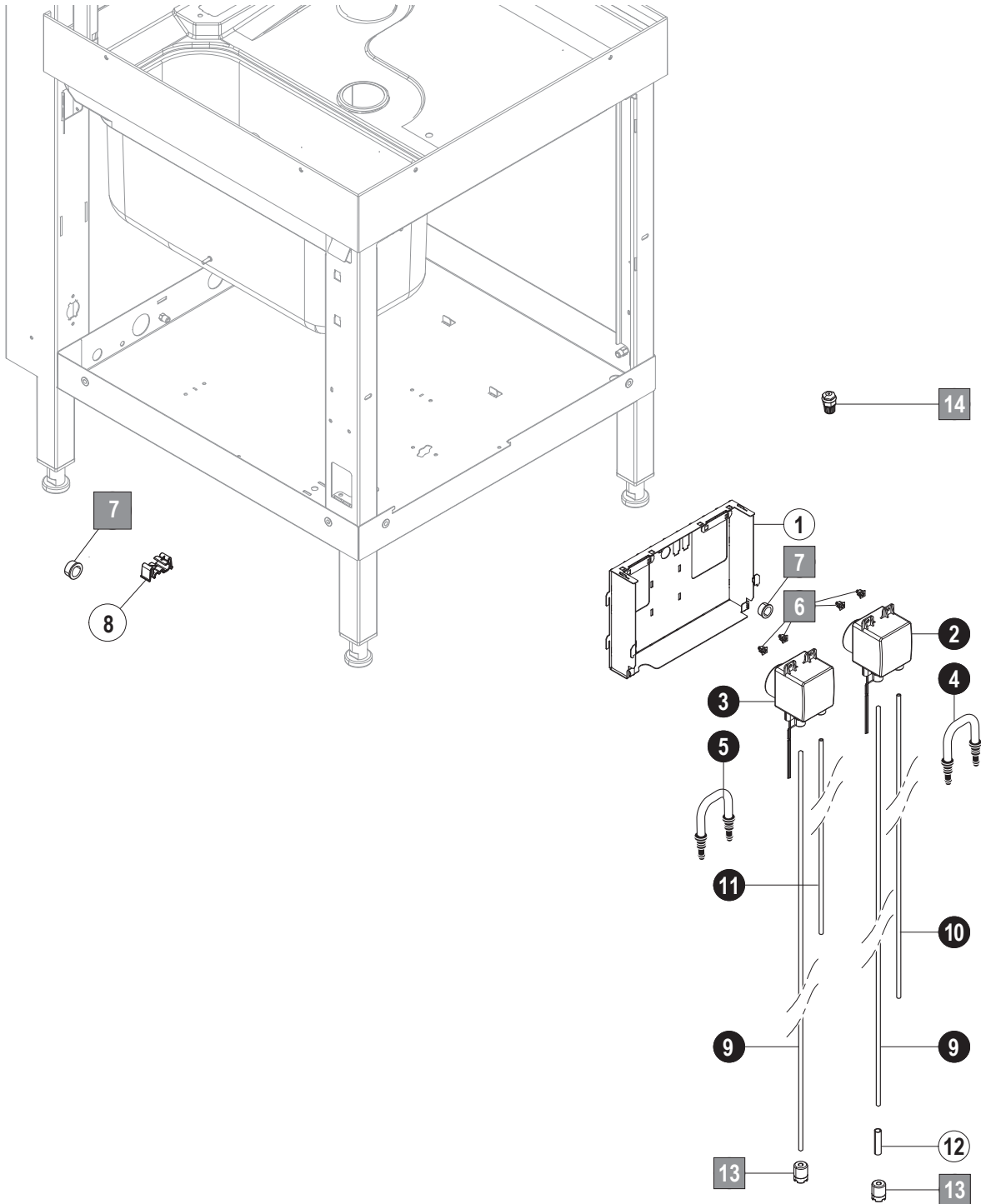
12. Switch box



07.0 AMX-Eco

<b>Pos. no.</b>	<b>Part no.</b>	<b>Part name</b>	<b>Remarks</b>
1	01-515748-001	Switch box premouted	
2	01-515407-001	Spare parts kit control system	
3	00-897546-003	Expansion board	
4	00-323981-001	End clamp	
5	00-695521-062	Contactactor	
6	00-775548-001	Fuse clip and disconnect terminal	
7	00-775570-001	Fuse	
8	00-774055-001	Connection block	
9	00-785508-001	Two-tier terminal	
10	00-785508-011	Core end plate	
11	00-886756-001	Insulation bushing	
12	00-229169-013	Rubber profile	
13	01-297822-001	EMV - Mains filter	

### 13. Dosage



08.0 AMX-Eco

Pos. no.	Part no.	Part name	Remarks
1	01-515898-001	Braket dosing unit	
2	01-515269-006	Dosing unit rinse aid	
3	01-515269-002	Dosing unit detergent	
4	00-775608-003	Spare parts kit mill hose rinse aid	
5	00-775608-002	Spare parts kit mill hose detergent	
6	00-775460-001	Nut	
7	00-886756-004	Insulation bushing	
8	01-515242-001	Hose guidance rail	
9	01-246301-011	Suction hose	
10	01-246301-020	Pressure hose rinse aid	
11	01-246301-016	Pressure hose detergent	
12	01-246210-001	Hose shell, blue	
13	00-775239-001	Suction piece	
14	00-883676-001	Spare parts kit dosing nipple	

**ecomax by HOBART**

Robert-Bosch-Str. 17  
77656 Offenburg  
Telefon +49(0)1803 66 29  
Fax +49(0)1803 63 29  
E-Mail: [info@ecomaxbyhobart.de](mailto:info@ecomaxbyhobart.de)  
Internet: [www.ecomaxbyhobart.de](http://www.ecomaxbyhobart.de)

**HOBART Export**

Robert-Bosch-Str. 17  
77656 Offenburg  
Germany  
Phone: +49 (0)781.600-2820  
Fax: +49 (0)781.600-2819  
E-Mail: [info-export@hobart.de](mailto:info-export@hobart.de)  
Internet: [www.hobart-export.com](http://www.hobart-export.com)

**Hobart UK.**

Southgate Way,  
Orton Southgate,  
Peterborough  
PE2 6GN  
United Kingdom  
Tel.: +44 (0)844 888 7777  
Republic of Ireland: +353 (0)1246 0248  
Fax: +44 (0)1733 361 347  
E-mail: [part.sales@hobartuk.com](mailto:part.sales@hobartuk.com)  
Internet: [www.hobartuk.com](http://www.hobartuk.com)

**Compagnie HOBART SAS**

Allée du 1er mai  
77183 Croissy Beaubourg  
FRANCE  
Tel: +33 (0)1 64 11 60 00  
Fax: +33 (0)1 64 11 60 10  
E-mail: [contact@hobart.fr](mailto:contact@hobart.fr)  
Internet: [www.hobart.fr](http://www.hobart.fr)

**Hobart Nederland BV**

Pompmolenlaan 12  
3447 GK Woerden  
Telefoon +31 (0)348 462626  
Fax: +31 (0)348 430117  
E-mail: [info@hobartnederland.nl](mailto:info@hobartnederland.nl)  
Internet: [www.hobartnederland.nl](http://www.hobartnederland.nl)

**Hobart Foster Belgium bvba/sprl**

Industriestraat 6  
1910 Kampenhout  
Telefoon +32 (0) 16.60.60.40  
Fax +32 (0) 16.60.59.88  
E-mail: [info@hobart.be](mailto:info@hobart.be)  
Internet: [www.hobart.be](http://www.hobart.be)

**Hobart Norge**

Gamle Drammenvei 120  
N-1363 Høvik  
Tlf.: +47-67109800  
E-post: [post@hobart.no](mailto:post@hobart.no)  
Hjemmeside: [www.hobart.no](http://www.hobart.no)

**Hobart Scandinavia ApS**

Håndværkerbyen 27  
2670 Greve  
Danmark  
Tlf.: +45 4390 5012  
Fax.: +45 4390 5002  
E-mail: [salg@hobart.dk](mailto:salg@hobart.dk)  
Internet: [www.hobart.dk](http://www.hobart.dk)

**Hobart Sweden/Finland**

Tel: +46 8 584 50 920  
E-mail: [info@hobart.se](mailto:info@hobart.se)  
Internet: [www.hobart.se](http://www.hobart.se)

**Australia****Hobart Food Equipment**

Unit 1 / 2 Picken Street,  
Silverwater NSW, 2128  
Tel: +61 1800 462 278  
Fax: +61 02 9714 0222  
E-mail: [sales@hobartfood.com.au](mailto:sales@hobartfood.com.au)  
Internet: [www.hobartequipment.com.au](http://www.hobartequipment.com.au)

**HOBART China**

15th Floor, Building A  
New Caohejing International Business  
Center  
391 Gui Ping Road  
Shanghai, 200233  
Telephone: +86 (0)21 34612000  
Fax: +86 (0)21 34617166  
Internet: [www.hobartchina.com](http://www.hobartchina.com)