



# First Choice Group

## SPARE PARTS DIAGRAM FOR



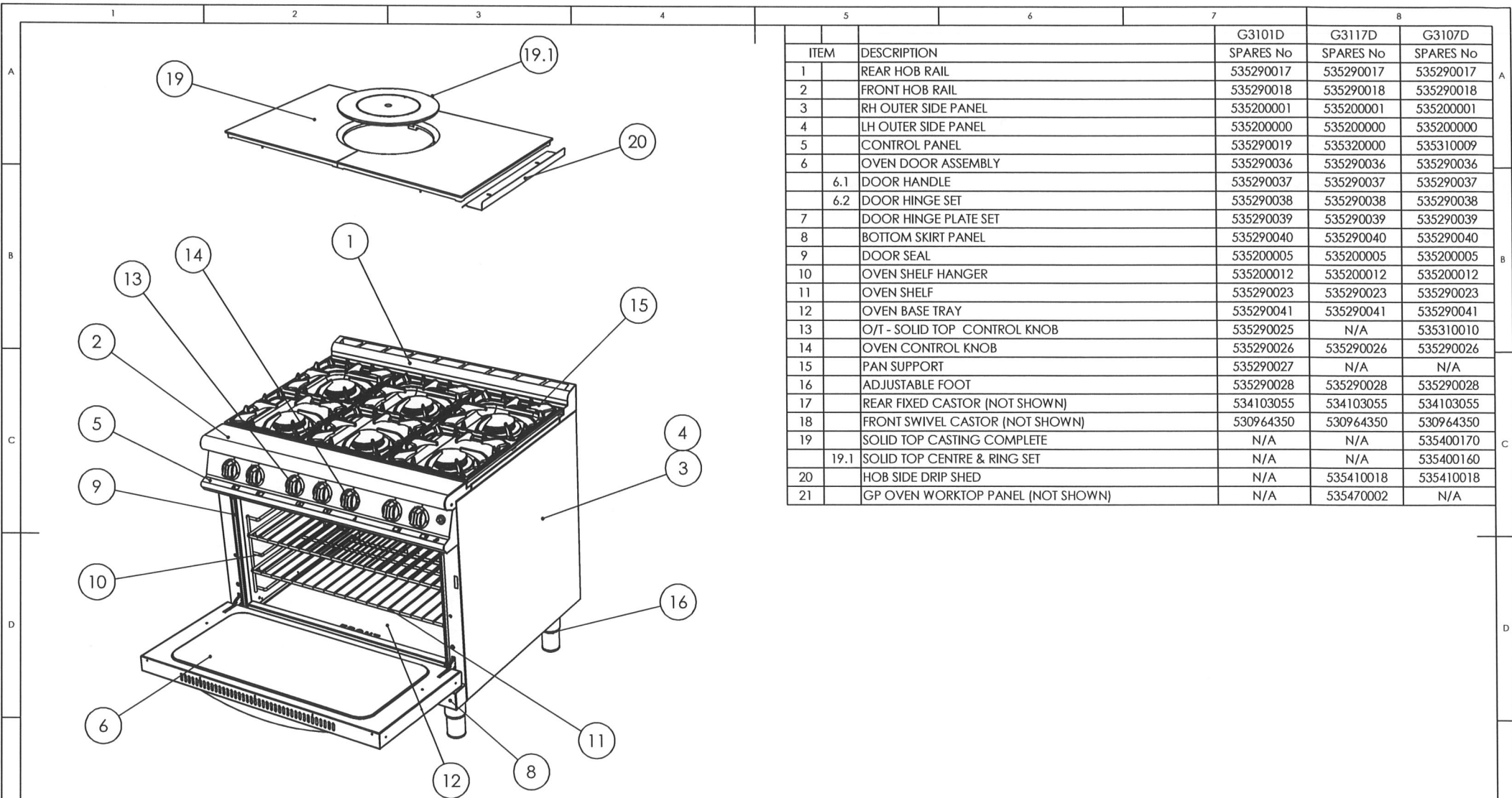
Oven Range  
G3101D



TB 14/03 - Gas Oven Burner changed after 2014 For new Burner, please see back pages for Technical Bulletin

As instructed by Falcon TB18/02, from 16th January 2018 the oven spark electrode and gas ignition wire on the above named unit will be supplied as a one piece assembly under the spares number - 535290059.

First Choice Group  
Blakeney Way, Kingswood Lakeside  
Cannock, Staffs, WS11 8LD  
TEL: 01543 577778 FAX: 01543504141  
Email: [enquires@firstchoice-cs.co.uk](mailto:enquires@firstchoice-cs.co.uk)  
Web: [www.firstchoice-cs.co.uk](http://www.firstchoice-cs.co.uk)

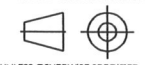


| ITEM | DESCRIPTION                       | G3101D    | G3117D    | G3107D    |
|------|-----------------------------------|-----------|-----------|-----------|
|      |                                   | SPARES No | SPARES No | SPARES No |
| 1    | REAR HOB RAIL                     | 535290017 | 535290017 | 535290017 |
| 2    | FRONT HOB RAIL                    | 535290018 | 535290018 | 535290018 |
| 3    | RH OUTER SIDE PANEL               | 535200001 | 535200001 | 535200001 |
| 4    | LH OUTER SIDE PANEL               | 535200000 | 535200000 | 535200000 |
| 5    | CONTROL PANEL                     | 535290019 | 535320000 | 535310009 |
| 6    | OVEN DOOR ASSEMBLY                | 535290036 | 535290036 | 535290036 |
| 6.1  | DOOR HANDLE                       | 535290037 | 535290037 | 535290037 |
| 6.2  | DOOR HINGE SET                    | 535290038 | 535290038 | 535290038 |
| 7    | DOOR HINGE PLATE SET              | 535290039 | 535290039 | 535290039 |
| 8    | BOTTOM SKIRT PANEL                | 535290040 | 535290040 | 535290040 |
| 9    | DOOR SEAL                         | 535200005 | 535200005 | 535200005 |
| 10   | OVEN SHELF HANGER                 | 535200012 | 535200012 | 535200012 |
| 11   | OVEN SHELF                        | 535290023 | 535290023 | 535290023 |
| 12   | OVEN BASE TRAY                    | 535290041 | 535290041 | 535290041 |
| 13   | O/T - SOLID TOP CONTROL KNOB      | 535290025 | N/A       | 535310010 |
| 14   | OVEN CONTROL KNOB                 | 535290026 | 535290026 | 535290026 |
| 15   | PAN SUPPORT                       | 535290027 | N/A       | N/A       |
| 16   | ADJUSTABLE FOOT                   | 535290028 | 535290028 | 535290028 |
| 17   | REAR FIXED CASTOR (NOT SHOWN)     | 534103055 | 534103055 | 534103055 |
| 18   | FRONT SWIVEL CASTOR (NOT SHOWN)   | 530964350 | 530964350 | 530964350 |
| 19   | SOLID TOP CASTING COMPLETE        | N/A       | N/A       | 535400170 |
| 19.1 | SOLID TOP CENTRE & RING SET       | N/A       | N/A       | 535400160 |
| 20   | HOB SIDE DRIP SHED                | N/A       | 535410018 | 535410018 |
| 21   | GP OVEN WORKTOP PANEL (NOT SHOWN) | N/A       | 535470002 | N/A       |

# PRODUCTION ISSUE

| ISSUE | MOD No | ALTERATION                            | DRAWN BY   | DATE     |
|-------|--------|---------------------------------------|------------|----------|
| A     | 1340/2 | PRODUCTION ISSUE                      | I.JAMES    | 06/07/12 |
| B     | 6834   | OUTER SIDE PANEL SPARES CODES CHANGED | P.METCALFE | 01/03/13 |

IF IN DOUBT ASK  
DO NOT SCALE  
FIRST ANGLE PROJECTION

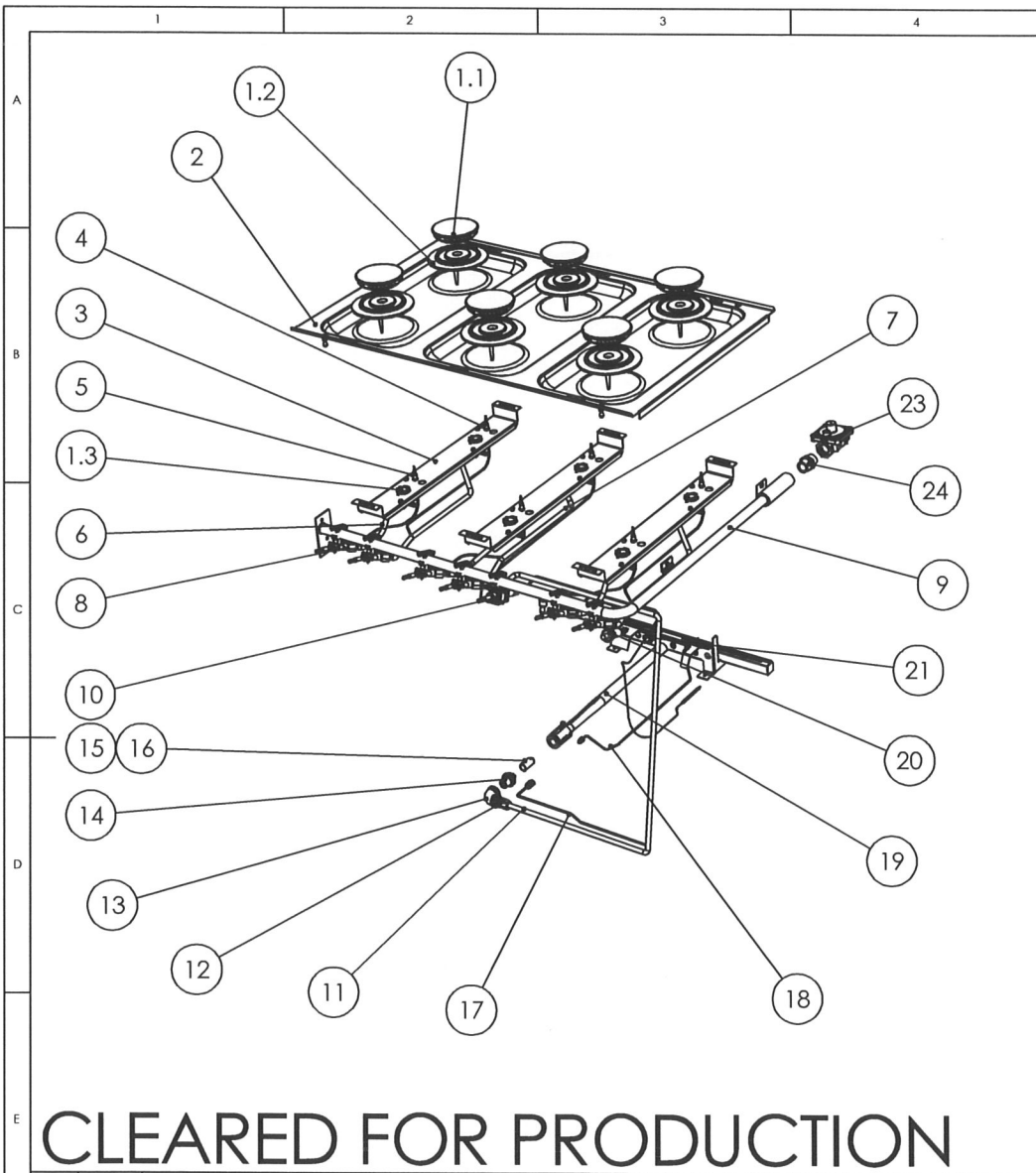


UNLESS OTHERWISE SPECIFIED:  
DIMENSIONS ARE IN MILLIMETERS  
TOLERANCES:  
LINEAR: ±0.5mm  
ANGULAR: ±0.5 DEG  
DEBUR AND  
BREAK SHARP EDGES



|                       |                                      |
|-----------------------|--------------------------------------|
| DRAWN: <b>I.JAMES</b> | PRODUCT: <b>G3101D/17D/07D</b>       |
| DATE: <b>19/04/12</b> | TITLE: <b>G3101D SPARES-FITMENTS</b> |
| SCALE: <b>1:10</b>    |                                      |
| MATL:                 | DRAWING NUMBER: <b>AA49463</b>       |
|                       | ISSUE: <b>B</b>                      |

This document may be out-of-date because it has file references that may have been updated. (more...)



| ITEM | DESCRIPTION                           | G3101     | G3101 OTC | G3121     | G3117     | G3117/2   |
|------|---------------------------------------|-----------|-----------|-----------|-----------|-----------|
|      |                                       | SPARES No | SPARES No | SPARES No | SPARES No | SPARES No |
| 1    | O/T BURNER ASSEMBLY COMPLETE          | 535290006 | 535290006 | 535290006 |           | N/A       |
|      | O/T BURNER CAP ASSEMBLY               | 1.1       | 535290000 | 535290000 | N/A       | N/A       |
|      | O/T BURNER BASE                       | 1.2       | 535290001 | 535290001 | N/A       | N/A       |
|      | O/T INJECTOR HOLDER NAT GAS & PROPANE | 1.3       | 535290003 | 535290003 | N/A       | N/A       |
|      | O/T 1.93 NAT GAS INJECTOR             | 1.3.1     | 535290004 | 535290004 | N/A       | N/A       |
|      | O/T 1.2 PROPANE INJECTOR              | 1.3.2     | 535290005 | 535290005 | N/A       | N/A       |
|      | 8mm OLIVE                             | 1.3.3     | 535480027 | 535480027 | N/A       | N/A       |
|      | TUBE NUT                              | 1.3.4     | 535480028 | 535480028 | N/A       | N/A       |
| 2    | HOB PANEL                             | 535400150 | 535400150 | 535400150 | N/A       | N/A       |
| 3    | O/T BURNER SUPPORT BAR                | 535290002 | 535290002 | 535290002 | N/A       | N/A       |
| 4    | O/T REAR THERMOCOUPLE                 | 535480012 | 535481112 | 535480012 | N/A       | N/A       |
| 5    | O/T FRONT THERMOCOUPLE                | 535480011 | 535480011 | 535480011 | N/A       | N/A       |
| 6    | O/T FRONT FLEXI PIPE C/W OLIVES       | 535400045 | 535400045 | 535400045 | N/A       | N/A       |
| 7    | O/T REAR FLEXI PIPE C/W OLIVES        | 535400055 | 535400055 | 535400055 | N/A       | N/A       |
| 8    | O/T CONTROL VALVE NAT GAS & PROPANE   | 535200021 | 535200021 | 535200021 | N/A       | N/A       |
|      | 8MM OLIVE                             | 8.1       | 535480027 | 535480027 | N/A       | N/A       |
|      | TUBE NUT                              | 8.2       | 535290007 | 535290007 | N/A       | N/A       |
|      | NAT GAS BYPASS SCREW (76)             | 8.3       | 535290008 | 535290008 | N/A       | N/A       |
|      | PROPANE BYPASS SCREW (51)             | 8.4       | 535290009 | 535290009 | N/A       | N/A       |
| 9    | FLOAT RAIL                            | 535290010 | 535300000 | 535300000 | 535310008 | N/A       |
| 10   | OVEN THERMOSTAT NAT GAS & PROPANE     | 535200022 | N/A       | N/A       | 535200022 | N/A       |
|      | 10MM OLIVE                            | 10.1      | 535290012 | N/A       | 535290012 | N/A       |
|      | TUBE NUT                              | 10.2      | 535290013 | N/A       | 535290013 | N/A       |
|      | NAT GAS BYPASS SCREW (76)             | 10.3      | 535290008 | N/A       | 535290008 | N/A       |
|      | PROPANE BYPASS SCREW (52)             | 10.4      | 535290014 | N/A       | 535290014 | N/A       |
| 11   | OVEN FLEXI PIPE C/W OLIVES            | 535480082 | N/A       | N/A       | 535480082 | N/A       |
| 12   | OVEN PIPE COUPLING                    | 535480042 | N/A       | N/A       | 535480042 | N/A       |
| 13   | ELBOW                                 | 535480041 | N/A       | N/A       | 535480041 | N/A       |
| 14   | INJECTOR HOLDER                       | 535480035 | N/A       | N/A       | 535480035 | N/A       |
| 15   | OVEN BURNER INJECTOR NAT GAS          | 535480036 | N/A       | N/A       | 535480036 | N/A       |
| 16   | OVEN BURNER INJECTOR PROPANE          | 535480037 | N/A       | N/A       | 535480037 | N/A       |
| 17   | OVEN THERMOCOUPLE EXTENSION           | 535400120 | N/A       | N/A       | 535400120 | N/A       |
| 18   | OVEN THERMOCOUPLE                     | 535400180 | N/A       | N/A       | 535400180 | N/A       |
| 19   | OVEN BURNER                           | 535290015 | N/A       | N/A       | 535290015 | N/A       |
| 20   | OVEN PIZO IGNITER                     | 535010000 | N/A       | N/A       | 535010000 | N/A       |
| 21   | OVEN IGNITION ELECTRODE               | 535480033 | N/A       | N/A       | 535480033 | N/A       |
| 22   | OVEN IGNITION LEAD (NOT SHOWN)        | 535290016 | N/A       | N/A       | 535290016 | N/A       |
| 23   | GOVERNOR                              | 535480015 | 535480015 | 535480015 | 535480015 | N/A       |
| 24   | 3/4" FITTING                          | 535480016 | 535480016 | 535480016 | 535480016 | N/A       |
|      | CONVERSION KIT NAT GAS TO PROPANE     | 535290029 | 535300005 | 535340002 | 535320001 | 535320003 |
|      | CONVERSION KIT PROPANE TO NAT GAS     | 535290030 | 535300006 | 535340003 | 535320002 | 535320004 |

**CLEARED FOR PRODUCTION**

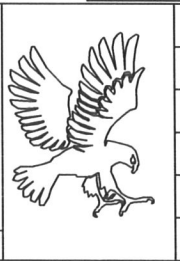
| ISSUE | MOD No | ALTERATION       | DRAWN BY   | DATE     |
|-------|--------|------------------|------------|----------|
| A     | 6422   | PRODUCTION ISSUE | IAIN JAMES | 09/08/11 |
|       |        |                  |            |          |
|       |        |                  |            |          |
|       |        |                  |            |          |

IF IN DOUBT ASK  
DO NOT SCALE  
FIRST ANGLE PROJECTION

UNLESS OTHERWISE SPECIFIED:  
DIMENSIONS ARE IN MILLIMETERS  
TOLERANCES:  
LIN: ±0.5mm  
ANGULAR: ±0.5 DEG

DEBUR AND  
BREAK SHARP EDGES

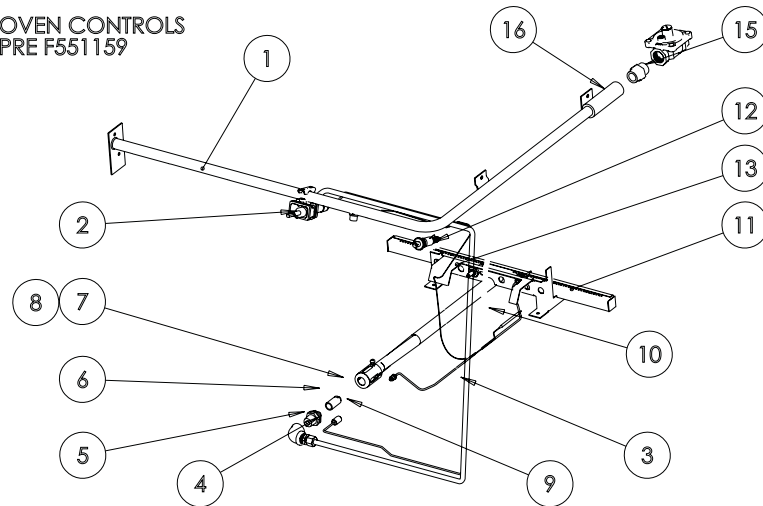
WEIGHT: 111329.23g



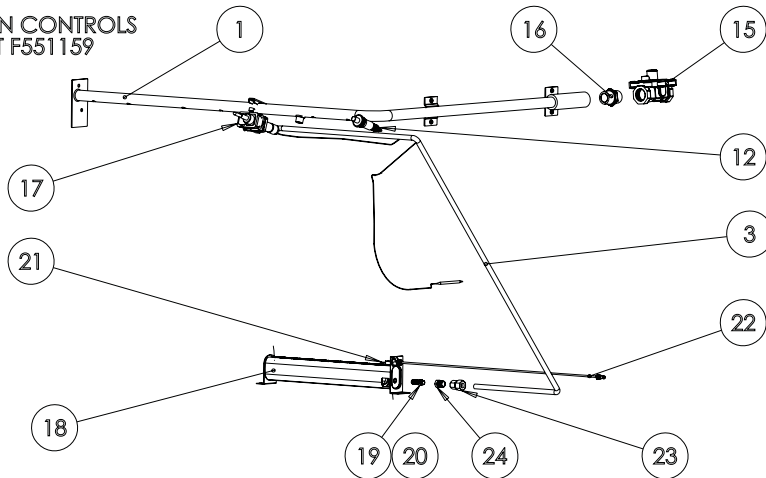
|                   |                          |
|-------------------|--------------------------|
| DRAWN: IAIN JAMES | PRODUCT: G3101/OTC/21/17 |
| DATE: 31/05/11    | TITLE: SPARES - CONTROLS |
| SCALE: 1:10       |                          |
| MATL: -           | DRAWING NUMBER: AA48638  |
| THICKNESS:        | ISSUE: A                 |
| BIN No:           | PART No:                 |

# DOMINATOR PLUS

OVEN CONTROLS  
PRE F551159



OVEN CONTROLS  
POST F551159



| ITEM | DESCRIPTION                                      | G3101<br>SPARES No | G3117<br>SPARES No | G3107<br>SPARES No |
|------|--|--------------------|--------------------|--------------------|
| 1    | FLOAT RAIL                                       | 535290010          | 535310008          | 535310008          |
| 2    | OVEN THERMOSTAT NAT GAS & PROPANE (PRE F551159)  | 535200022          | 535200022          | 535200022          |
|      | 10MM OLIVE                                       | 10.1 535290012     | 535290012          | 535290012          |
|      | TUBE NUT   | 10.2 535290013     | 535290013          | 535290013          |
|      | NAT GAS BYPASS SCREW (76)                        | 10.3 535290008     | 535290008          | 535290008          |
|      | PROPANE BYPASS SCREW (52)                        | 10.4 535290014     | 535290014          | 535290014          |
| 3    | OVEN FLEXI PIPE C/W OLIVES                       | 535480082          | 535480082          | 535480082          |
| 4    | OVEN PIPE COUPLING(PRE F551159)                  | 535480042          | 535480042          | 535480042          |
| 5    | ELBOW (PRE F551159)                              | 535480041          | 535480041          | 535480041          |
| 6    | INJECTOR HOLDER(PRE F551159)                     | 535480035          | 535480035          | 535480035          |
| 7    | OVEN BURNER INJECTOR NAT GAS(PRE F551159)        | 535480036          | 535480036          | 535480036          |
| 8    | OVEN BURNER INJECTOR PROPANE (PRE F551159)       | 535480037          | 535480037          | 535480037          |
| 9    | OVEN THERMOCOUPLE EXTENSION (PRE F551159)        | 535400120          | 535400120          | 535400120          |
| 10   | OVEN THERMOCOUPLE (PRE F551159)                  | 535400180          | 535400180          | 535400180          |
| 11   | OVEN BURNER (PRE F551159)                        | 535290015          | 535290015          | 535290015          |
| 12   | OVEN PIEZO IGNITER                               | 535010000          | 535010000          | 535010000          |
| 13   | OVEN IGNITION ELECTRODE (PRE F551159)            | 535480033          | 535480033          | 535480033          |
| 14   | OVEN IGNITION LEAD (NOT SHOWN) (PRE F551159)     | 535290016          | 535290016          | 535290016          |
| 15   | GOVERNOR   | 535480015          | 535480015          | 535480015          |
| 16   | 3/4" FITTING                                     | 535480016          | 535480016          | 535480016          |
| 17   | OVEN THERMOSTAT NAT GAS & PROPANE (POST F551159) | 535290062          | 535290062          | 535290062          |
|      | 10MM OLIVE                                       | 17.1 535290012     | 535290012          | 535290012          |
|      | TUBE NUT   | 17.2 535290013     | 535290013          | 535290012          |
|      | NAT GAS BYPASS SCREW (93)                        | 17.3 535290064     | 535290064          | 535290064          |
|      | PROPANE BYPASS SCREW (55)                        | 17.4 535290070     | 535290070          | 535290070          |
| 18   | OVEN BURNER(POST F551159)                        | 535290055          | 535290055          | 535290055          |
| 19   | OVEN BURNER INJECTOR NAT GAS (POST F551159)      | 535290056          | 535290056          | 535290056          |
| 20   | OVEN BURNER INJECTOR PROPANE (POST F551159)      | 535290057          | 535290057          | 535290057          |
| 21   | OVEN IGNITION ELECTRODE (POST F551159)           | 535290059          | 535290059          | 535290059          |
| 22   | OVEN THERMOCOUPLE (POST F551159)                 | 535290058          | 535290058          | 535290058          |
| 23   | OVEN BURNER COUPLING (POST F551159)              | 535290060          | 535290060          | 535290060          |
| 24   | OVEN BURNER REDUCER (POST F551159)               | 535290061          | 535290061          | 535290061          |
| 25   | OVEN IGNITION LEAD (POST F551159)(NOT SHOWN)     | 535290063          | 535290063          | 535290063          |
|      | CONVERSION KIT NAT GAS TO PROPANE (PRE F551159)  | 535290029          | 535320001          | 535310011          |
|      | CONVERSION KIT PROPANE TO NAT GAS (PRE F551159)  | 535290030          | 535320002          | 535310012          |
|      | CONVERSION KIT NAT GAS TO PROPANE (POST F551159) | 535290065          | 535320005          | 535310013          |
|      | CONVERSION KIT PROPANE TO NAT GAS (POST F551159) | 535290066          | 535320006          | 535310014          |

| Issue | Alteration | Date       | Product                 | Document Reference |
|-------|------------|------------|-------------------------|--------------------|
| B     | 7224       | 10/12/2014 | G3101D<br>Oven Controls | AA51835            |



# TECHNICAL BULLETIN

14/03



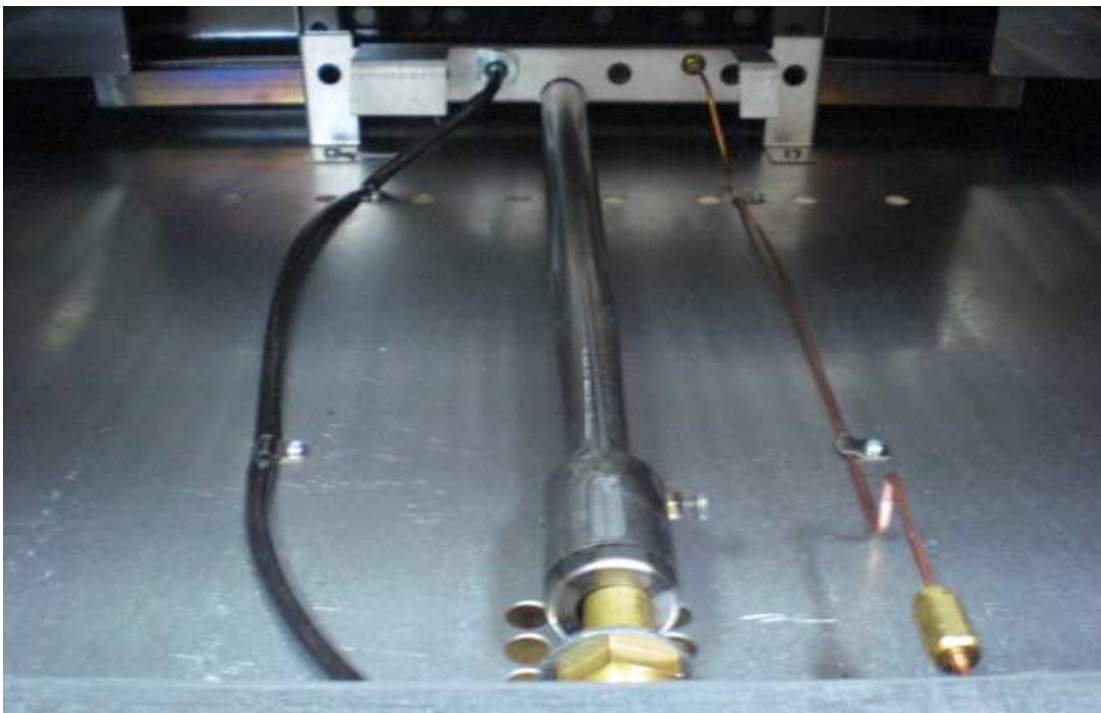
Falcon Foodservice Equipment  
Wallace View  
Hillfoots Road  
Stirling  
Scotland. FK9 5PY  
Tel: 01786 455200  
Fax: 01786 469454  
info@falconfoodservice.com  
www.falconfoodservice.com

## G3101, G3101D, G3107, G3107D, G3161 Oven Burner Change

From September 2014 the above units will have a change in the oven burner fitted to the appliance during manufacture.

The older style "T Bar" burner plus the ignition and thermocouple components will be replaced with a new bar burner as shown in the attached photos.

### T Burner System – Pre September 2014



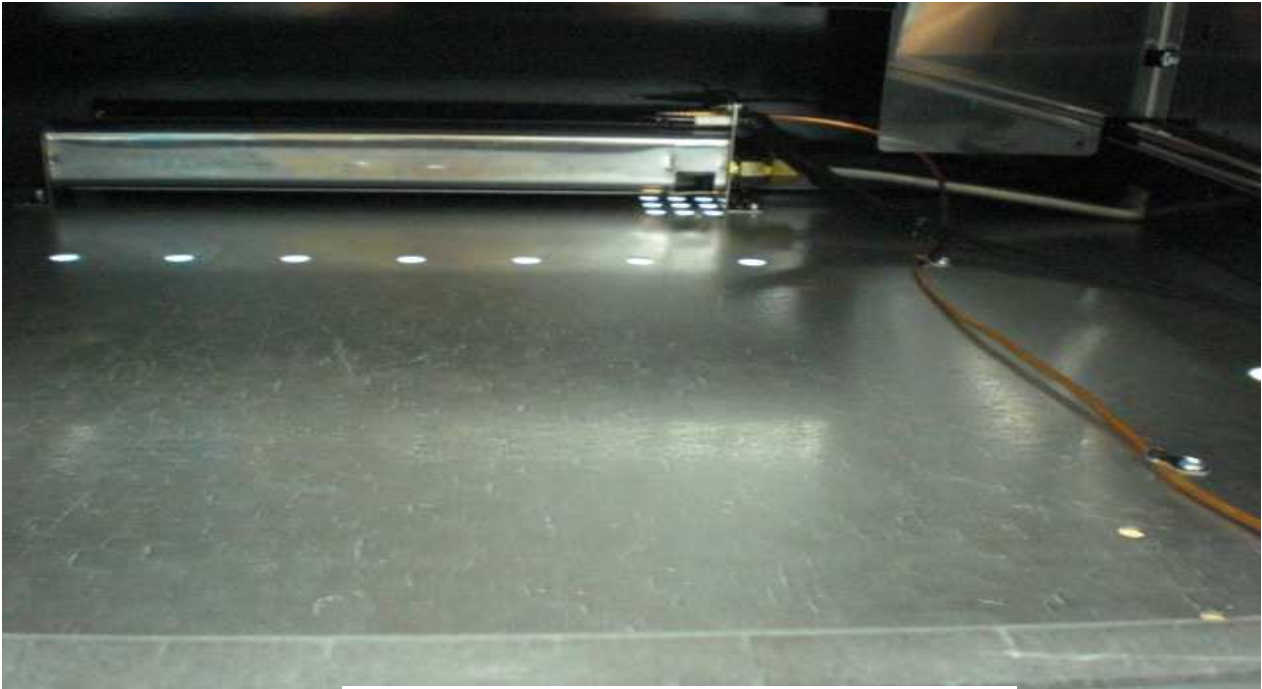
**Note** that when ordering spare parts that burner / injector ignition system and thermocouple are not interchangeable. The burner system fitted on the unit needs to be confirmed prior to ordering any parts.

Issued September 2014  
Page 1 of 2

# TECHNICAL BULLETIN

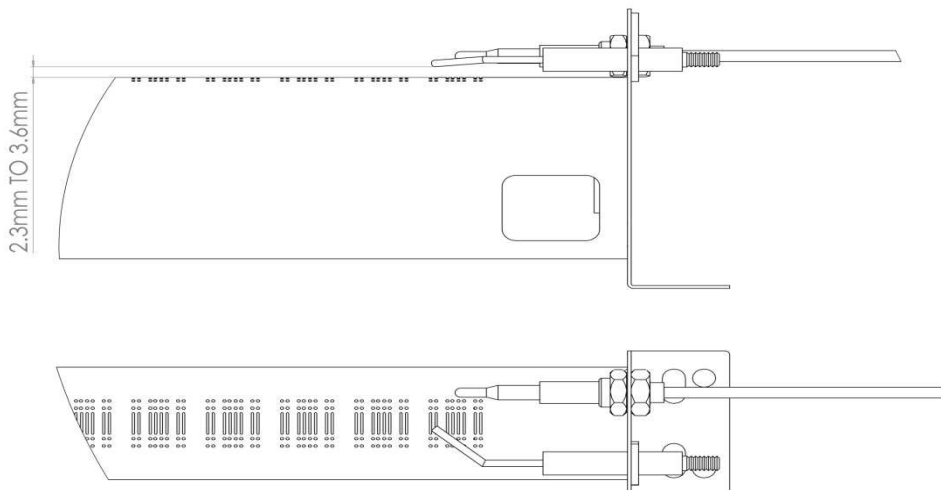
14/03

## New Burner System – Post September 2014



New thermocouple is one piece.

## New Burner System Critical Dimensions



To ensure a good spark, electrode must have a gap to burner of  
2.3mm to 3.6mm

Issued September 2014  
Page 2 of 2

# TECHNICAL BULLETIN

18/02



Falcon Foodservice Equipment  
Wallace View  
Hillfoots Road  
Stirling  
Scotland. FK9 5PY  
Tel: 01786 455200  
Fax: 01786 469454  
info@falconfoodservice.com  
www.falconfoodservice.com

## G3101/07/61 Dominator Plus Ranges

From 16<sup>th</sup> January 2018 the oven spark electrode and gas ignition wire on the above named units will be supplied as a one piece assembly under the spares number

**535290059.**

Issued October 2017  
Page 1 of 1