

Spare Parts List

Wire feeder systems for MIG equipment
manufactured by Lincoln Electric Bester S. A.

Edition 2008May ver01
Prepared by Mariusz Barszczowski

WIRE FEEDER	MACHINE ITEM	MACHINE	CODE	ROLL	WIRE	ITEM NUMBER	Q-TY	
0744-000-163R 0646-231-018R	B18021-1	MAGSTER 350C	1040	Ø40	U 0.6-0.8	BP10114-1	1	
	B18164-1	MAGSTER-350C LESA	-----		U 0.8-1.0	BP10118-1	1	
	B18131-1	PDE-41W	-----		U 1.0-1.2	BP10077-1	1	
	B18046-1	PDE-41	-----		U 1.2-1.6	BP10079-2	1	
	B18165-1	MAGSTER-351 LESA	1021		U 1.6-2.0	BP10128-1	1	
	B18122-1	PDE-41 ASK	-----		V 0.6-0.8	BP10076-1	1	
	B18186-1	PDE-41W NA	-----		V 0.8-1.0	BP10088-2	1	
	B18169-1	PDE-41 NA	-----		V 1.0-1.2	BP10092-2	1	
	B18173-1	PDE-41W ASK	-----		V 1.2-1.6	BP10095-1	1	
	B18048-1	PDE-41Wplus	-----		V 2.0-2.4	BP10097-1	1	
	B18047-1	PDE-41plus	-----		VK 1.0-1.2	BP10102-1	1	
	B18049-1	PDE-7FW	-----		VK 1.2-1.2	BP10145-1	1	
	B18171-1	PDE-7FW ASK	-----		VK 1.6-2.0	BP10103-1	1	
	B18041-1	MIG-350r	-----		VK 2.4-3.2	BP10104-1	1	
	B18042-1	MIG-450r	-----		VK 2.8-3.2	BP10105-1	1	
	B18043-1	MIG-500r	50015					
	B18211-1	PDE-7F WELDTECH	-----					
	B18227-1	PDE-51	1117					
0744-000-162R 0646-231-019R	B18123-1	PDE-41 LT	-----	Ø30	U 0.6-0.8	BP10113-1	1	
	B18007-1	MAGPOWER-4000+	1017		U 0.8-1.0	BP10117-1	1	
	B18019-1	MAGSTER-315 4x4	1037		U 1.0-1.2	BP10075-2	1	
	B18012-1	MAGSTER-250 4x4	1036		U 1.2-1.6	BP10078-1	1	
	B18226-1	PDE-50	1116		U 1.6-2.0	BP10127-1	1	
0744-000-179R	B18219-1	MIDIMAGSTER 1801	1104	Ø30	V 0.6-0.8	BP10085-2	1	
	B18220-1	MIDIMAGSTER 1613	1105		V 1.0-1.2	BP10120-2	1	
	B18221-1	MAGPOWER 1801 DUAL	1110		V 1.2-1.6	BP10094-1	1	
	B18221-2	MAGPOWER 1801+AKCESORIA	1110		VK 0.6-0.8	BP10181-1	1	
	B18222-1	MAGPOWER 1613	1111		VK 1.0-1.2	BP10101-1	1	
	B18215-1	MAGSTER 190	1106					
	B18216-1	MAGSTER 220	1107					
	B18217-1	MAGSTER 280	1108					
	B18218-1	MAGSTER 330	1109					
	B18230-1	MAGPOWER 2201	1120					
	B18231-1	MAGPOWER 2701	1121					
0744-000-191R 0646-231-193R	B18232-1	MAGPOWER 3301	1122					
	B18228-1	MAGSTER 280 4x4	1118					
	B18229-1	MAGSTER 330 4x4	1119					

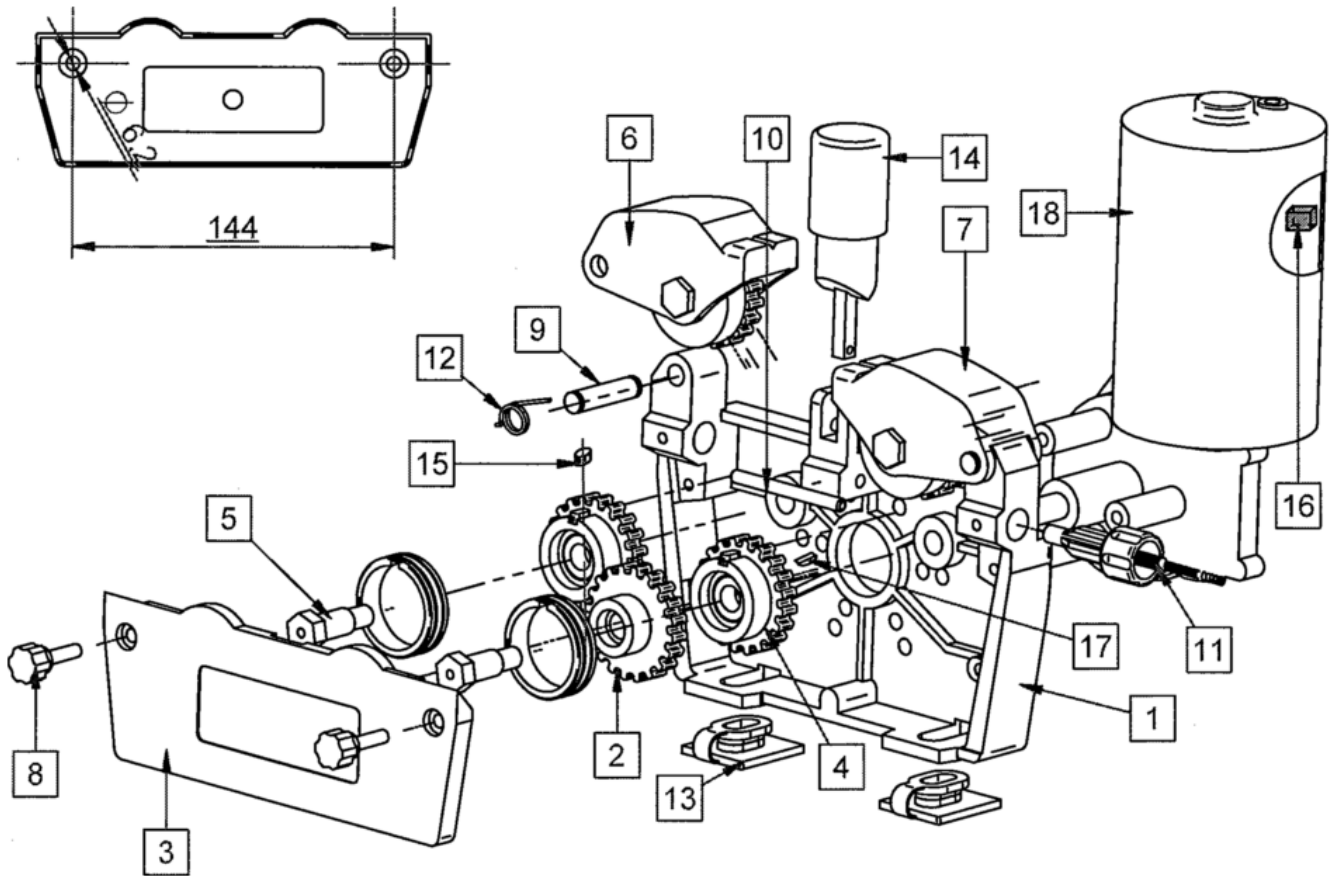
WIRE FEEDER	MACHINE ITEM	MACHINE	CODE	ROLL	WIRE	ITEM NUMBER	Q-TY
0646-231-020R	K10340-40-5-W	LF-40	50063	Ø37	U 1.0-1.2	KP14016-1.2A	1
0744-000-160R ²⁾	K14003-1	POWERTEC 200C	50003		U 1.0-1.2	KP14017-1.2A	2
	K14004-1	POWERTEC 250C	50004		U 1.2-1.6	KP14017-1.6A	2
	K14004-3	POWERTEC 250C-I	50054		V 0.6-0.8	KP14016-0.8	1
	K14005-1	POWERTEC 300C	50005		V 0.6-0.8	KP14017-0.8	2
	K14005-3	POWERTEC 300C-I	50055		V 0.8-1.0	KP14016-1.0	1
	K14003-2	POWERTEC 200C	50091		V 0.8-1.0	KP14017-1.0	2
	K14004-2	POWERTEC 250C	50092		V 1.0-1.2	KP14016-1.2	1
	K14005-5	POWERTEC 300C	50093		V 1.0-1.2	KP14017-1.2	2
	K14040-1	POWERTEC 161C	50090		V 1.2-1.6	KP14017-1.6	2
	K14040-2	POWERTEC 161C	50110		VK 0.9-1.1	KP14016-1.1R	1
	K14045-1	POWERTEC 191C	50106		VK 0.9-1.1	KP14017-1.1R	2
	K14046-1	POWERTEC 231C	50107		VK 1.2-1.6	KP14016-1.6R	1
	K14047-1	POWERTEC 271C	50108		VK 1.2-1.6	KP14017-1.6R	2
0744-000-165R	K14013-1	POWERTEC-280C PRO	50019, 50068, 50095		VK 1.6-2.4	KP14017-2.4R	2
	K14014-1	POWERTEC-350C PRO	50020, 50069, 50096				
	K14015-1	POWERTEC-420C PRO	50021, 50070, 50097				
	K14015-1W	POWERTEC-420C PRO WATER	50022, 50071, 50084, 50098				
	K14026-1W	LF-24 PROWATER	50035, 50115				
	K14025-1A	LF-24 AIR	50032				
	K14025-1W	LF-24 WATER	50033, 50114				
	K14030-1W	LF-33 WATER	50041, 50052, 50116				
0744-000-166R ¹⁾	K14003-1	POWERTEC 200C	50003				
	K14004-1	POWERTEC 250C	50004				
	K14004-3	POWERTEC 250C-I	50054				
	K14005-1	POWERTEC 300C	50005				
	K14005-3	POWERTEC 300C-I	50055				
0744-000-167R	K14005-2	POWERTEC-300C 4ROLL	50023				
0744-000-168R	K10406	LF-37	54035				
	K10407	LF-38	54036				
0744-000-169R	K14024-1	LF-22	50031, 50113				
0744-000-176R	K14035-1W	LF-34	50048, 50117				
	K14036-1W	LF-35	50049, 50118				

* - Spare parts for these wire feeder systems are exchangeable in 100%

1) - used for production until January 2008.

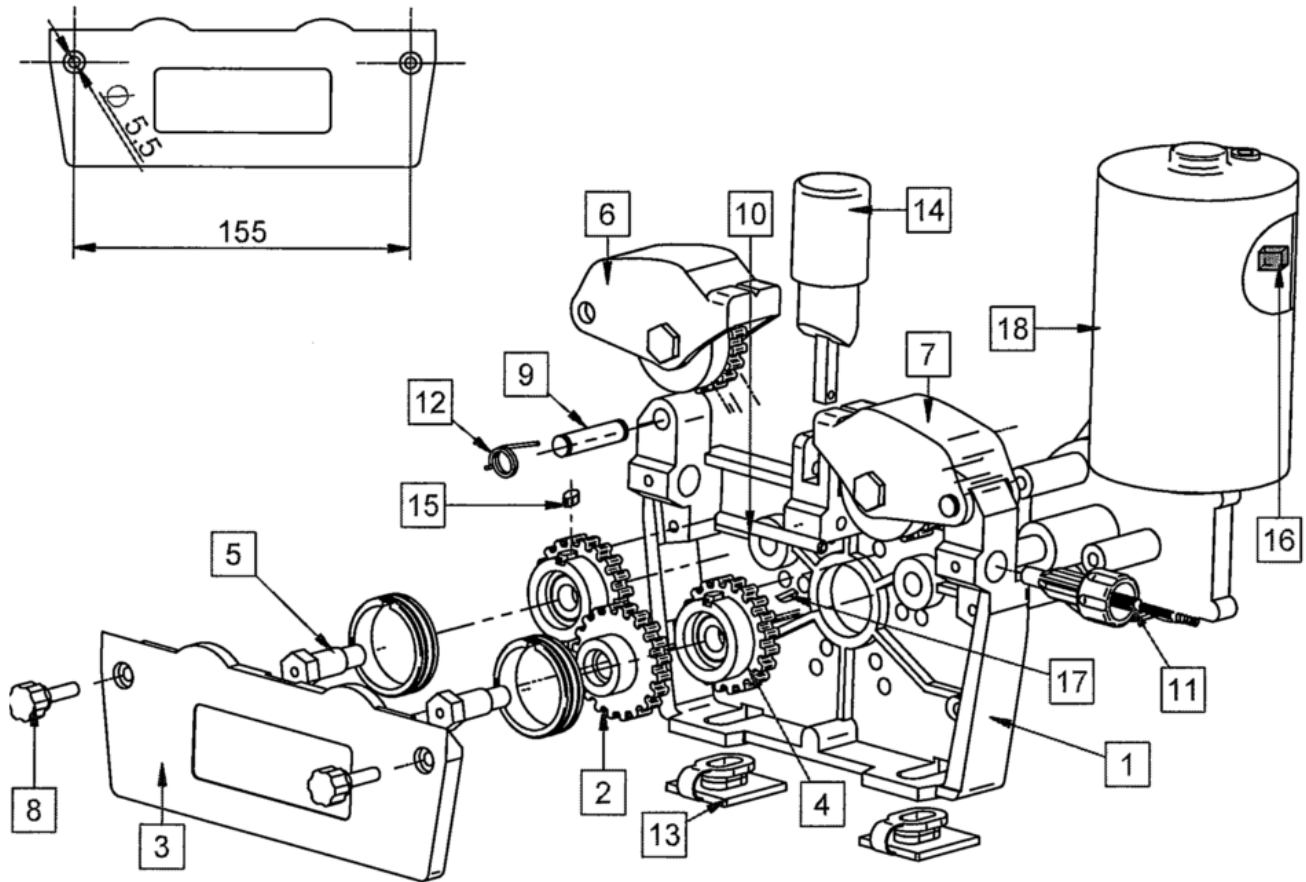
2) - used for production starting since February 2008.

1. Wire feeder unit for item number 0744-000-163R "A".



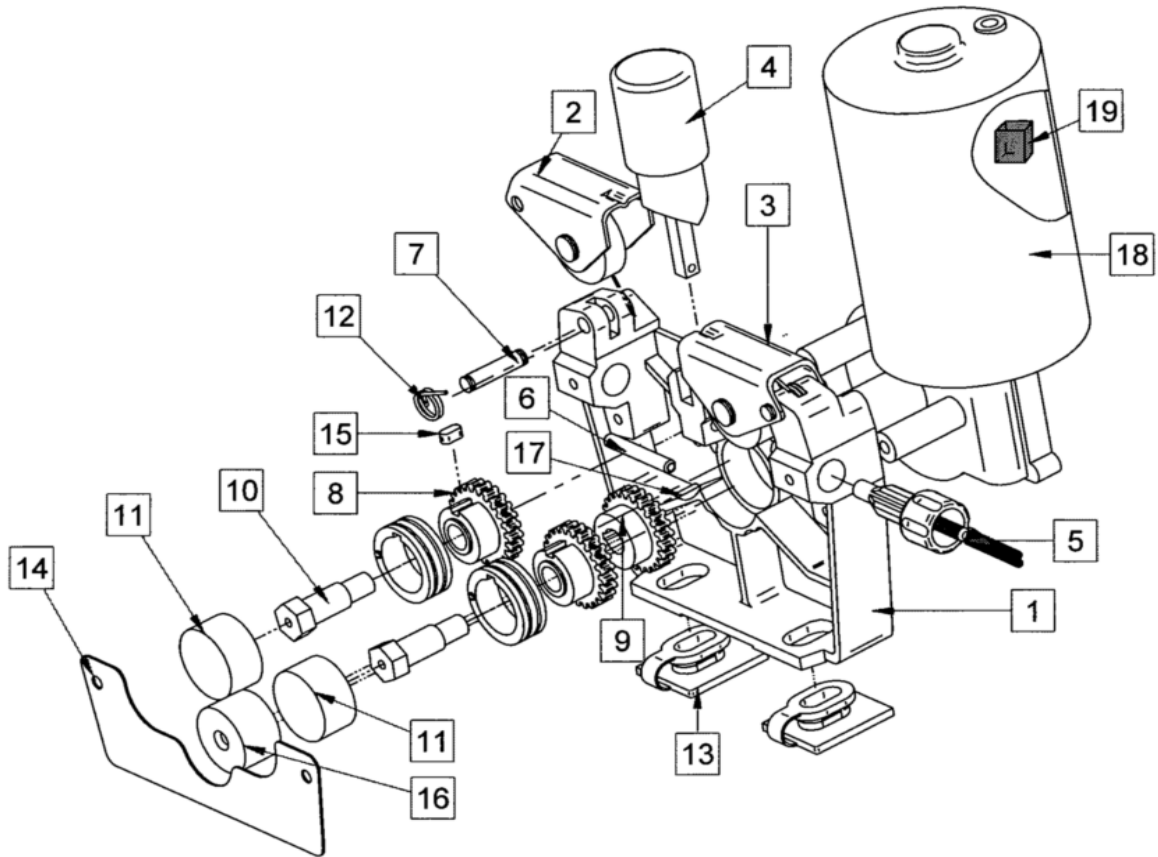
Pos.	Item number	Description 1	Description 2	Group
	0744-000-163R	ZPD-12+MOTOR 100.707	WIRE FEEDER CWF-5110PLUS	
	0646-231-018R	ZPD-12 WITHOUT MOTOR	WIRE FEEDER CWF-5110PLUS	
1	0646-231-112R	ZPD-12/1-1	FEED PLATE A	3
2	0646-231-050R	ZPD-12/2	GEAR WHEEL MOTOR	2
3	0646-231-093R	ZPD-12/3-1	ROLL COVER A	1
4	0646-231-051R	ZPD-12/4	GEAR WHEEL ROLL	2
5	0646-231-054R	ZPD-12/5	AXIS DRIVE ROLL	2
6	0646-231-113R	ZPD-12/6-1	PRESSURE ARM COMPL.L A	3
7	0646-231-114R	ZPD-12/7-1	PRESSURE ARM COMPL.R A	3
8	0646-231-087R	ZPD-12/8-1	SPECIAL SCREW A	2
9	0646-231-115R	ZPD-12/9-1	AXIS PRESSURE ARM A	3
10	0646-231-058R	ZPD-12/10-1	INTERMEDIATE GUIDE A	1
11	0646-231-056R	ZPD-12/11	INLET GUIDE COMPL.	1
12	0646-231-110R	ZPD-12-13/12	SPRING PRESSURE ARM	3
13	0646-231-111R	ZPD-12-13/13	INSULATING WASHER	2
14	0646-231-092R	ZPD-12/14-1	FIXING ARM COMPL. A	1
15	0646-231-079R	ZPD-11-12-13-19/15	KEY GEAR WHEEL	1
16	1111-311-043R	SZS-1	BRUSH TO ELVI 90W 42V	2
17	0646-231-102R	WOODRUFF KEY	TO MOTOR WIRE FEEDER	1
18	1111-722-042R	ELVI- 42V 90W	MOTOR 100.707	2

2. Wire feeder unit for item number 0744-000-163R "B".



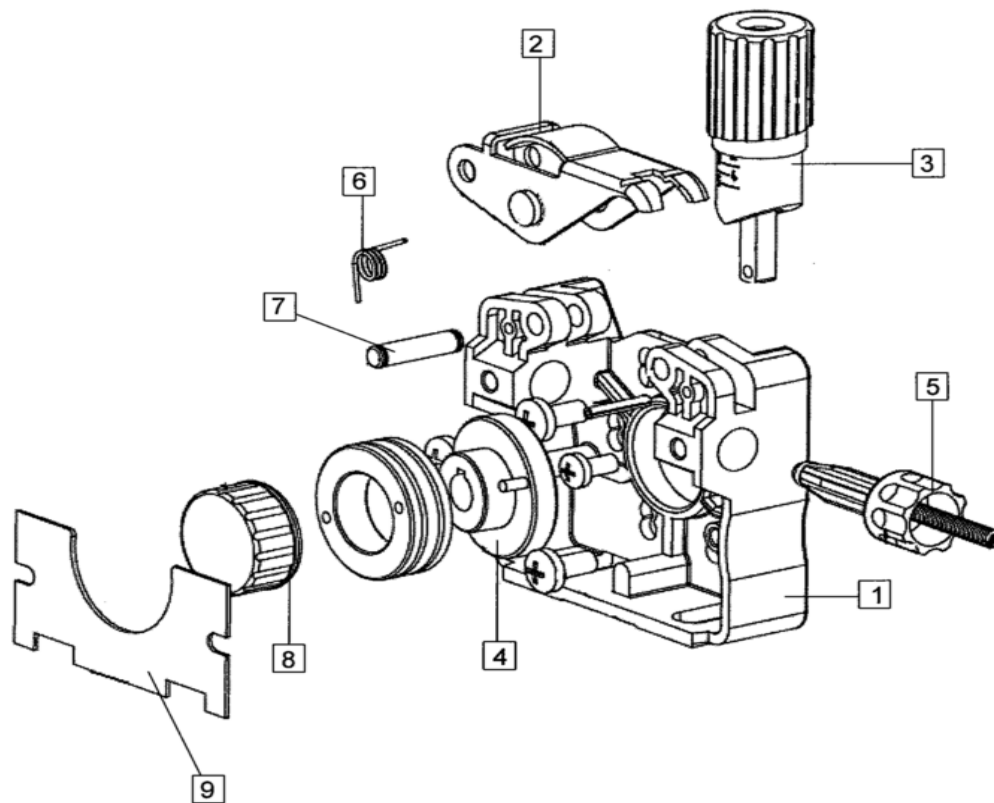
Pos.	indeks/item no	Opis 1/Description 1	Description 2	Group
	0744-000-163R	ZPD-12+MOTOR 100.708	WIRE FEEDER CWF-5110PLUS	2
	0646-231-018R	ZPD-12 WITHOUT MOTOR	WIRE FEEDER CWF-5110PLUS	2
1	0646-231-103R	ZPD-12/1-2	FEED PLATE B	3
2	0646-231-050R	ZPD-12/2	GEAR WHEEL MOTOR	2
3	0646-231-083R	ZPD-12/3-2	ROLL COVER B	1
4	0646-231-051R	ZPD-12/4	GEAR WHEEL ROLL	2
5	0646-231-054R	ZPD-12/5	AXIS DRIVE ROLL	2
6	0646-231-104R	ZPD-12/6-2	PRESSURE ARM COMPL.L B	3
7	0646-231-105R	ZPD-12/7-2	PRESSURE ARM COMPL.R B	3
8	0646-231-106R	ZPD-12/8-2	SPECIAL SCREW B	2
9	0646-231-107R	ZPD-12/9-2	AXIS PRESSURE ARM B	3
10	0646-231-108R	ZPD-12/10-2	INTERMEDIATE GUIDE B	1
11	0646-231-056R	ZPD-12/11	INLET GUIDE COMPL.	1
12	0646-231-110R	ZPD-12-13/12	SPRING PRESSURE ARM	3
13	0646-231-111R	ZPD-12-13/13	INSULATING WASHER	2
14	0646-231-082R	ZPD-12/14-2	FIXING ARM COMPL. B	1
15	0646-231-079R	ZPD-11-12-13-19/15	KEY GEAR WHEEL	1
16	1111-311-043R	SZS-1	BRUSH TO ELVI 90W 42V	2
17	0646-231-102R	WOODRUFF KEY	TO MOTOR WIRE FEEDER	1
18	1111-722-042R	ELVI- 42V 90W	MOTOR 100.707	2

3. Wire feeder unit for item number 0744-000-162R.



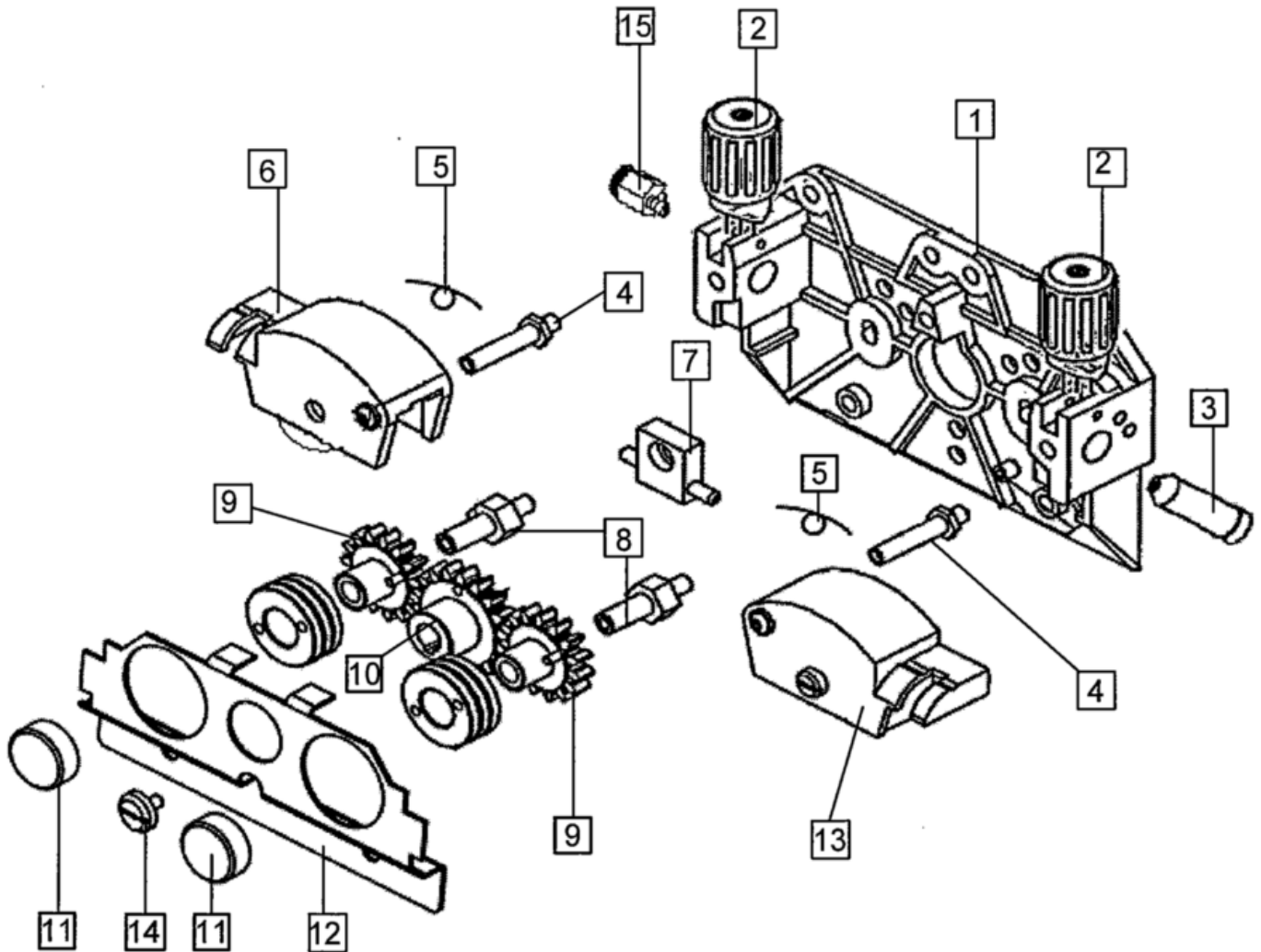
Pos.	Item number	Description 1	Description 2	Group
	0744-000-162R	ZPD-13+MOTOR 100.707	WIRE FEEDER CWF-4010	2
	0646-231-019R	ZPD-13 WITHOUT MOTOR	WIRE FEEDER CWF-4010	2
1	0646-231-116R	ZPD-13/1	FEED PLATE	3
2	0646-231-117R	ZPD-13/2	PRESSURE ARM COMPL.L	3
3	0646-231-118R	ZPD-13/3	PRESSURE ARM COMPL.R	3
4	0646-231-084R	ZPD-13/4	FIXING ARM COMPL.	1
5	0744-000-193R	ZPD-13-14/5	INLET GUIDE COMPL.	1
6	0646-231-076R	ZPD-13/6	INTERMEDIATE GUIDE	1
7	0646-231-120R	ZPD-13-14/7	AXIS PRESURRE ARM	3
8	0646-231-071R	ZPD-13/8	GEAR WHEEL ROLL	2
9	0646-231-070R	ZPD-13/9	GEAR WHEEL MOTOR	2
10	0646-231-074R	ZPD-13/10	AXIS DRIVE ROLL	2
11	0646-231-077R	ZPD-13/11	FIXING CAP	2
12	0646-231-110R	ZPD-12-13/12	SPRING PRESSURE ARM	3
13	0646-231-111R	ZPD-12-13/13	INSULATING WASHER	3
14	0646-231-122R	ZPD-13/14	METAL COVER	2
15	0646-231-079R	ZPD-12-13-19-20/15	KEY GEAR WHEEL	1
16	0646-231-121R	ZPD-13/16	FIXING CAP	2
17	0646-231-102R	WOODRUFF KEY	TO MOTOR WIRE FEEDER	1
18	1111-722-042R	ELVI-42V 90W	MOTOR 100.707	2
19	1111-311-043R	SZS-1	BRUSH TO ELVI 90W 42V	2

4. Wire feeder unit for item number 0744-000-166R and 0744-000-169R.



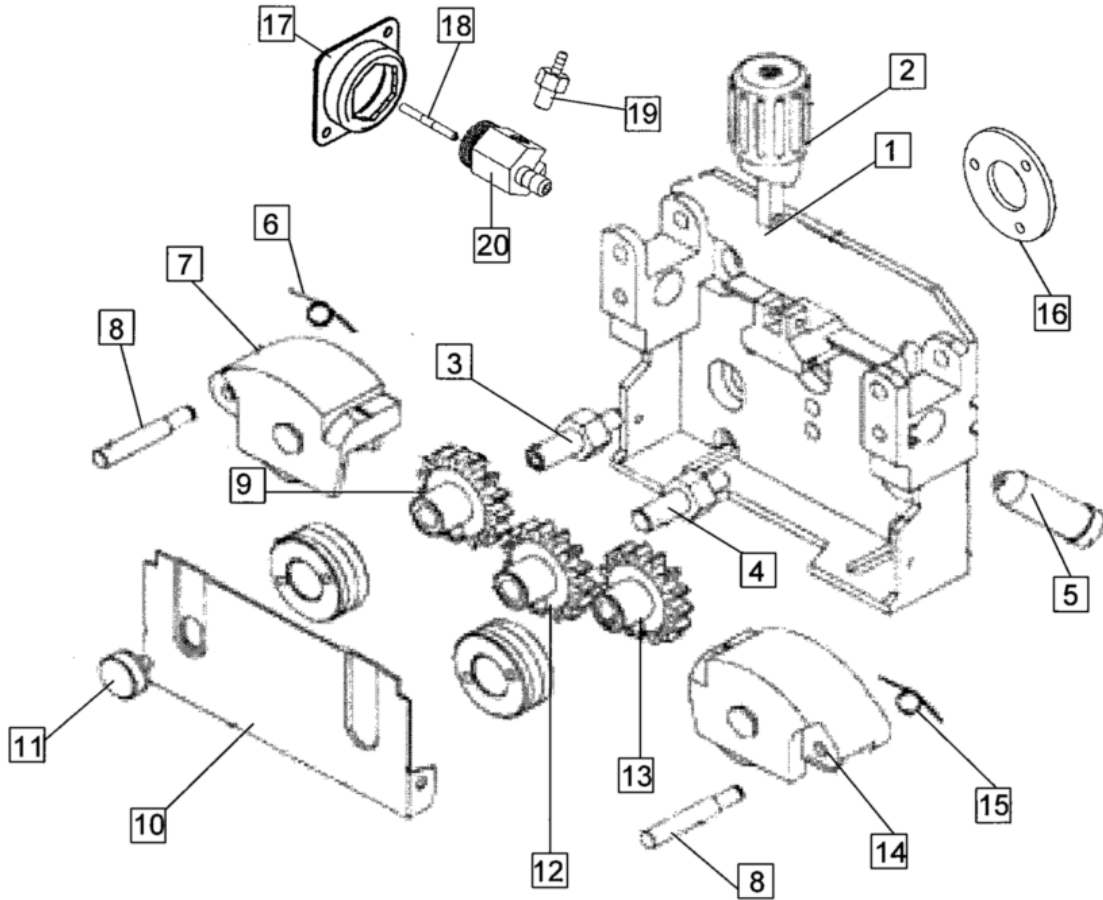
Pos	Item number	Description 1	Description 2	Group
	0744-000-166R	ZPD-14 WIRE FEEDER	CWF-300	2
1	0646-231-123R	ZPD-14/1	FEED PLATE	3
2	0646-231-096R	ZPD-14/2	PRESSURE ARM COMPL.	2
3	0646-231-097R	ZPD-14/3	FIXING ARM COMPL.	1
4	0744-000-194R	ZPD-14/4	ADAPTER COPL.	3
5	0744-000-193R	ZPD-13-14/5	INLET GUIDE COMPL.	1
6	0646-231-125R	ZPD-14/6	SPRING PRESSURE ARM	3
7	0646-231-120R	ZPD-13-14/7	AXIS PRESSURE ARM	3
8	0744-000-195R	ZPD-14/8	FIXING CAP	2
9	0646-231-127R	ZPD-14/9	METAL COVER	2

5. Wire feeder unit for item number 0646-231-020R



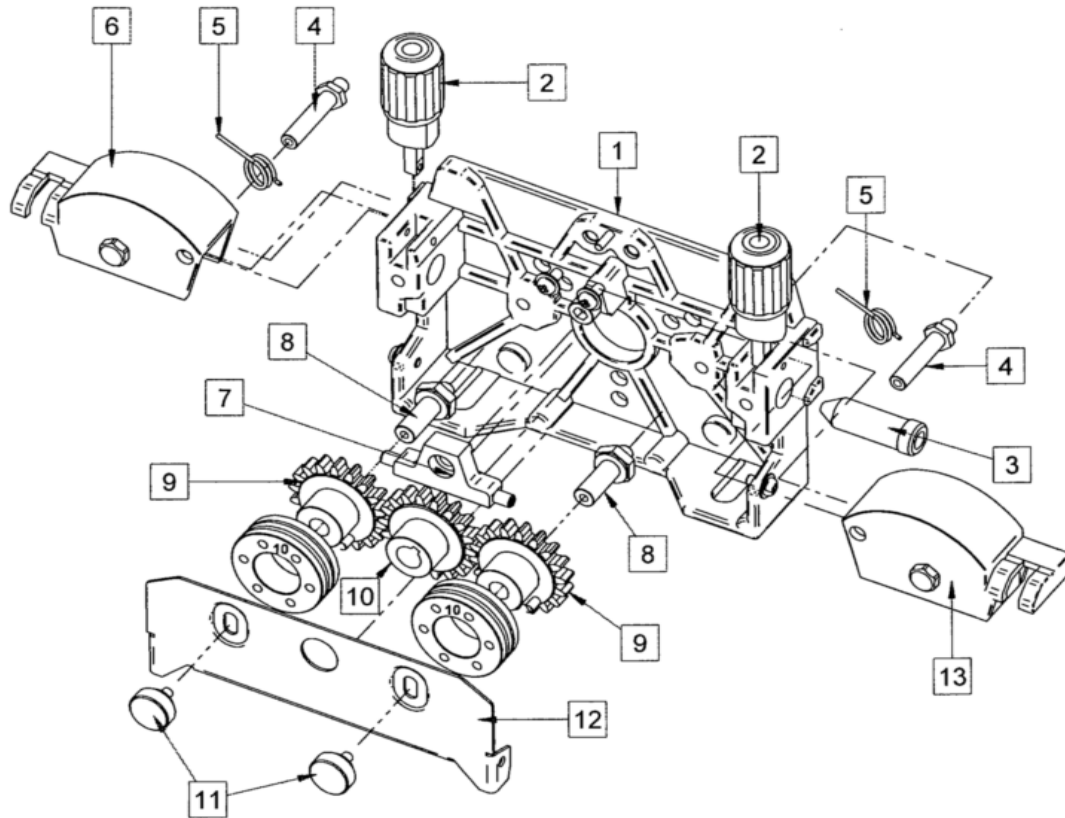
Pos	Item number	Description 1	Description 2	Group
	0646-231-020R	ZPD-15 WIRE FEEDER	LF-40	2
1	0646-233-030R	ZPD-15/1	FEED PLATE	3
2	0646-233-015R	ZPD-15-16-17-18/2	FIXING ARM COMPL.	1
3	0646-233-025R	ZPD-15-16-17/3 T51125	INLET GUIDE	1
4	0646-233-003R	ZPD-15-16-17/4 S51997-2	AXIS PRESSURE ARM	3
5	0646-233-013R	ZPD-15-16-17/5 S51997-12	SPRING PRESSURE ARM	3
6	0646-233-037R	ZPD-15/6	PRESSURE ARM COMPL.L	3
7	0646-233-023R	ZPD-15-16-17/7 T51126	INTERMEDIATE GUIDE	1
8	0646-233-031R	ZPD-15/8	AXIS DRIVE ROLL	2
9	0646-233-032R	ZPD-15/9 S51889	GEAR WHEEL ROLL	2
10	0646-233-035R	ZPD-15/10 S51888	GEAR WHEEL MOTOR	2
11	0646-233-033R	ZPD-15/11	FIXING CAP	2
12	0646-233-034R	ZPD-15/12	METAL COVER	2
13	0646-233-038R	ZPD-15/13	PRESSURE ARM COMPL.R	3
14	0646-233-036R	ZPD-15/14	SCERW MOTOR WHEEL	2
15	0646-233-054R	ZPD-15/15 S51899-1	EURO SOCKET	2

6. Wire feeder unit for item number 0744-000-168R



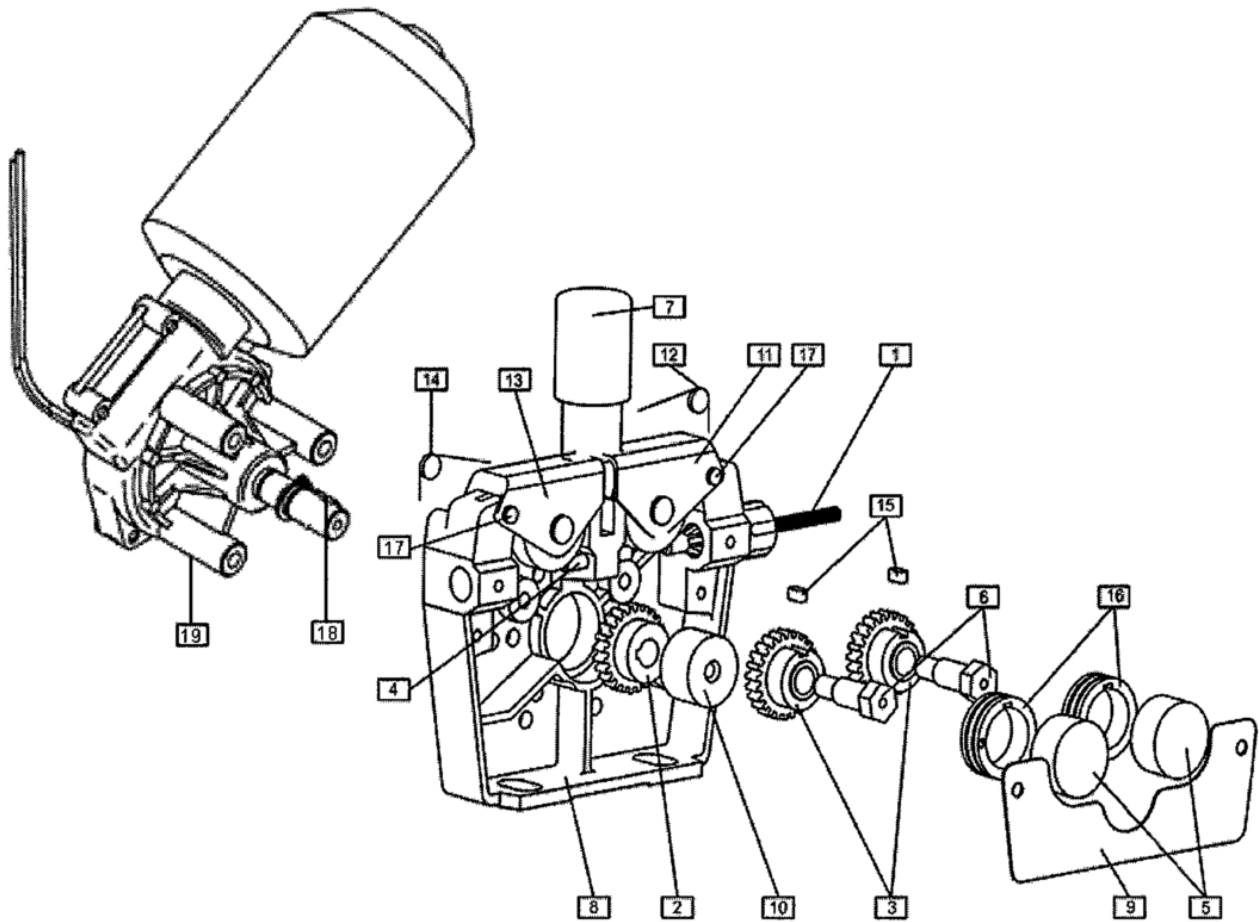
Pos.	Item number	Description 1	Description 2	Group
	0744-000-168R	ZPD-18 WIRE FEEDER	LF-37/38	2
1	0744-000-178R	ZPD-18/1	FEED PLATE	3
2	0646-233-015R	ZPD-15-16-17-18/2	FIXING ARM COMPL.	1
3	0646-233-039R	ZPD-18/3	AXIS DRIVE ROLL L	2
4	0646-233-040R	ZPD-18/4	AXIS DRIVE ROLL R	2
5	0744-000-188R	ZPD-18/5	INLET GUIDE	1
6	0646-233-041R	ZPD-18/6	SPRING PRESSURE ARM	3
7	0646-233-042R	ZPD-18/7	PRESSURE ARM COMPL.L	3
8	0646-233-043R	ZPD-18/8	AXIS PRESSURE ARM	3
9	0646-231-090R	ZPD-16-17-18/9 S51889-2	GEAR WHEEL ROLL	2
10	0646-233-045R	ZPD-18/10	METAL COVER	2
11	0646-231-091R	ZPD-18/11 M51651-3	FIXING CAP	2
12	0646-231-089R	ZPD-18/12 S51889-3	GEAR WHEEL	2
13	0646-231-088R	ZPD-18/13 S51888-1	GEAR WHEEL MOTOR	2
14	0646-233-048R	ZPD-18/14	PRESSURE ARM COMPL.R	3
15	0646-233-049R	ZPD-18/15	SPRING PRESSURE ARM	3
16	0646-233-050R	ZPD-18/16 S52134	DISTANCE WASHER	3
17	0646-233-051R	ZPD-18/17 S52133	EURO SHIELD	2
18	0646-233-052R	ZPD-18/18 S51127-4	OUTLET GUIDE	1
19	0646-233-053R	ZPD-18/19 T51120-2	SOCKET FERRULE	3
20	0742-210-005R	ZPD-18/20 M51607-2	EURO SOCKET	2

7. Wire feeder unit for item numbers:
- 0744-000-165R
 - 0744-000-167R
 - 0744-000-176R



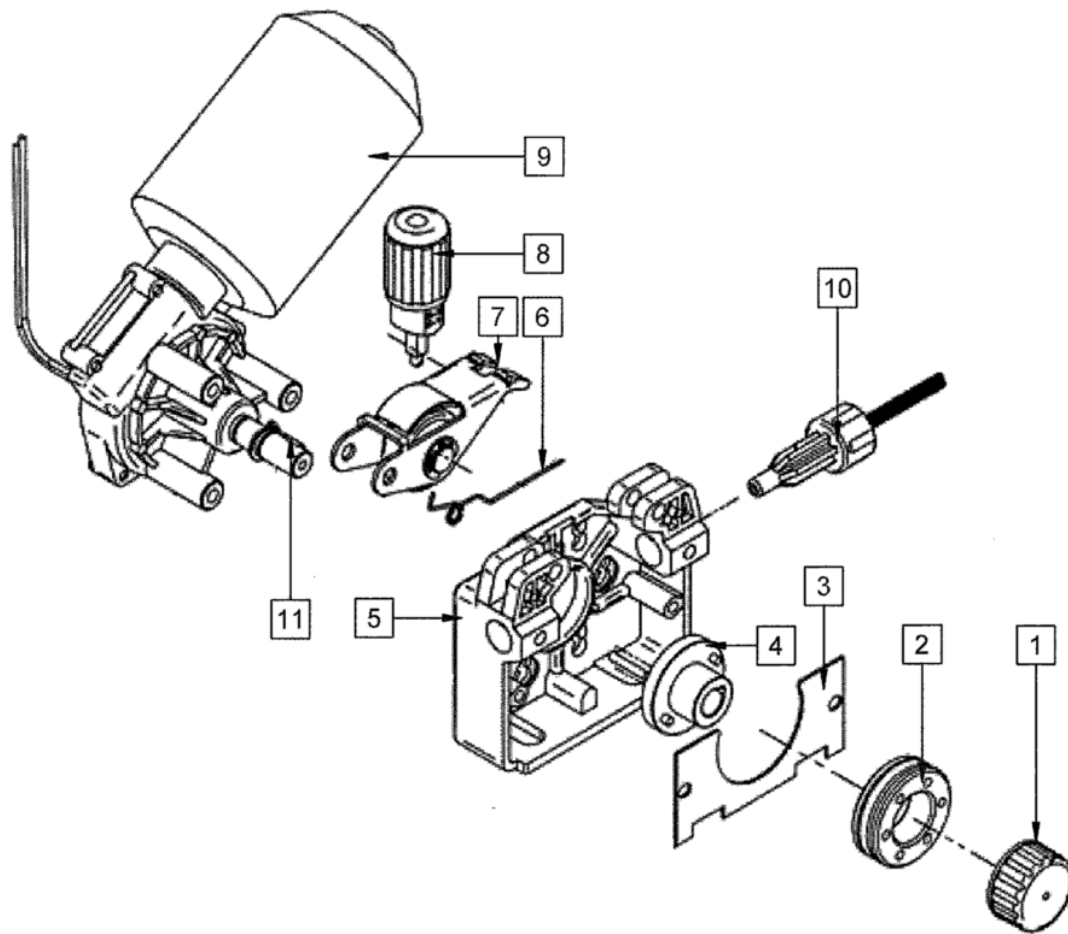
Pos.	Item number	Description 1	Description 2	Group
	0744-000-165R	ZPD-16 WIRE FEEDER	POWERTEC-PRO	2
	0744-000-167R	ZPD-17 WIRE FEEDER	POWERTEC-300 4ROLL	2
	0744-000-176R	ZPD-19 WIRE FEEDER	LF-34 LF-35	2
1	0646-233-002R	ZPD-16-17-19/1 S51997-1	FEED PLATE	3
2	0646-233-015R	ZPD-15-16-17-18-19/2	FIXING ARM COMPL.	1
3	0646-233-025R	ZPD-15-16-17-19/3 T51125	INLET GUIDE	1
4	0646-233-003R	ZPD-15-16-17-19/4 S51997-2	AXIS PRESSURE ARM	3
5	0646-233-013R	ZPD-15-16-17-19/5 S51997-12	SPRING PRESSURE ARM	3
6	0646-233-007R	ZPD-16-17-19/6 S51997-5	PRESSURE ARM COMPL.L	3
7	0646-233-023R	ZPD-15-16-17-19/7 T51126	INTERMEDIATE GUIDE	1
8	0646-233-020R	ZPD-16-17-19/8 S51997-19	AXIS DRIVE ROLL	2
9	0646-231-090R	ZPD-16-17-18-19/9 S51889-2	GEAR WHEEL ROLL	2
10	0646-233-028R	ZPD-16-17-19/10 S51888	GEAR WHEEL MOTOR	2
11	0744-000-190R	ZPD-16-17-19/11 S51997-20	FIXING CAP	2
12	0646-233-027R	ZPD-16-17-19/12 S51997-23	METAL COVER	2
13	0646-233-005R	ZPD-16-17-19/13 S51997-4	PRESSURE ARM COMPL.R	3

8. Wire feeder unit for item number 0744-000-191R



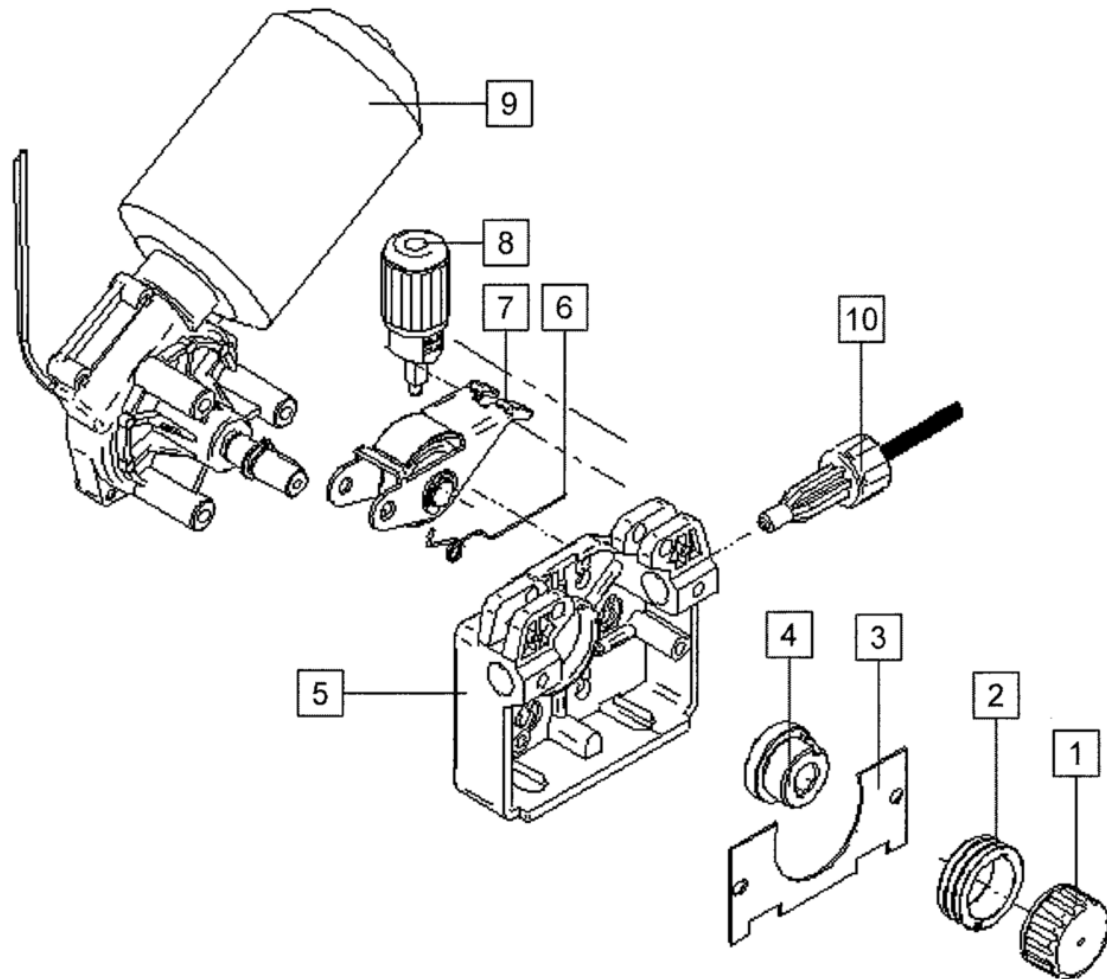
Pos.	Item number	Description 1	Description 2	Group
	0744-000-191R	ZPD-20+ MOTOR	WIRE FEEDER SSJ-5C	2
	0646-231-193R	ZPD-20 WHITOUT MOTOR	WIRE FEEDER SSJ-5C	2
1	0646-231-126R	ZPD-20/1	INLET GUIDE	1
2	0646-231-124R	ZPD-20/2	GEAR WHEEL MOTOR	2
3	0646-231-098R	ZPD-20/3	GEAR WHEEL ROLL	2
4	0646-231-099R	ZPD-20/4	INTERMEDIATE GUIDE	1
5	0646-231-101R	ZPD-20/5	FIXING CAP	2
6	0646-231-128R	ZPD-20/6	AXIS DRIVE ROLL	2
7	0646-231-129R	ZPD-20/7	FIXING ARM COMPL.	1
8	0646-231-130R	ZPD-20/8	FEED PLATE	2
9	0646-231-131R	ZPD-20/9	METAL COVER	2
10	0646-231-132R	ZPD-20/10	FIXING CAP	2
11	0646-231-133R	ZPD-20/11	PRESSURE ARM COMPL.R	2
12	0646-231-134R	ZPD-20/12	SPRING PRESSURE ARM R	2
13	0646-231-135R	ZPD-20/13	PRESSURE ARM COMPL.L	2
14	0646-231-136R	ZPD-20/14	SPRING PRESSURE ARM L	2
15	0646-231-079R	ZPD-12-13-19-20/15	KEY GEAR WHEEL	1
16		ROLL	ACCESSORIES	
17	0646-231-138R	ZPD-20/17	AXIS PRESSURE ARM	2
18	0646-231-102R	WOODRUFF KEY	TO MOTOR WIRE FEEDER	1
19	0646-231-137R	MOTOR 24V 40W		2

9. Wire feeder unit for item number 0744-000-160R



Pos.	Item number	Description 1	Description 2	Group
	0744-000-160R	ZPD-11 CHF28V50WC3002R37	WIRE FEEDER SSJ-4C	2
1	0744-000-216R	ZPD-10-11/1	FIXING CAP	2
2		ROLL	ACCESSORIES	
3	0744-000-218R	ZPD-11/3	METAL COVER	2
4	0744-000-227R	ZPD-11/4	ADAPTER	2
5	0744-000-219R	ZPD-10-11/5	FEED PLATE	2
6	0744-000-220R	ZPD-10-11/6	SPRING PRESSURE ARM	2
7	0744-000-221R	ZPD-10-11/7	PRESSURE ARM COMPLETE	2
8	0744-000-223R	ZPD-10-11/8	FIXING ARM COMPL.	2
9	0744-000-229R	MOTOR 28V 50W	MOTOR	2
10	0744-000-224R	ZPD-10-11/10	INLET GUIDE	1
11	0646-231-102R	WOODRUFF KEY	TO MOTOR WIRE FEEDER	1

10. Wire feeder unit for item number 0744-000-179R



Pos.	Item number	Description 1	Description 2	Group
	0744-000-179R	ZPD-10 CHF24V40WC3002R30	WIRE FEEDER SSJ-4C-2	2
1	0744-000-216R	ZPD-10-11/1	FIXING CAP	2
2		ROLL	ACCESSORIES	
3	0744-000-209R	ZPD-10/3	METAL COVER	2
4	0744-000-230R	ZPD-10/4	ADAPTER	2
5	0744-000-219R	ZPD-10-11/5	FEED PLATE	2
6	0744-000-220R	ZPD-10-11/6	SPRING PRESSURE ARM	2
7	0744-000-221R	ZPD-10-11/7	PRESSURE ARM COMPLETE	2
8	0744-000-223R	ZPD-10-11/8	FIXING ARM COMPL.	2
9	0744-000-222R	MOTOR 24V 40W		2
10	0744-000-224R	ZPD-10-11/10	INLET GUIDE	1
11	0646-231-102R	WOODRUFF KEY	TO MOTOR WIRE FEEDER	1