

13 mm (1/2") Pump
Maximum Flow Rate:
60.2 lpm (15.9 gpm)

DIMENSIONAL DRAWING

PUMP DATA

Specifications:

Ship Weight..... Aluminum 6 kg (13 lb)
 316 Stainless Steel 9 kg (20 lb)
 Alloy C 9.5 kg (21 lb)
Air Inlet6 mm (1/4")
Liquid Inlet.....13 mm (1/2")
Liquid Outlet.....13 mm (1/2")

GPS1 METAL CSA PUMP

PERFORMANCE

WILDEN®

22069 Van Buren Street
Grand Terrace, CA 92313-5607 USA

O: +1 (909) 422-1730 F: +1 (909) 783-3440
www.psgdover.com



a **DOVER** company

psgdover.com

GPS220/GPS230 METAL CSA PUMP

25 mm (1") Pump
Maximum Flow Rate:
204 lpm (54 gpm)

DIMENSIONAL DRAWINGS

PUMP DATA

Specifications:

Ship Weight..... Aluminum 19 kg (41 lb)
 Ductile Iron 29 kg (64 lb)
 316 Stainless Steel 31 kg (68 lb)
Air Inlet 13 mm (1/2")
Liquid Inlet..... 25 mm (1")
Liquid Outlet..... 25 mm (1")

GPS220/GPS230 METAL CSA PUMP

PERFORMANCE

WILDEN®

22069 Van Buren Street
Grand Terrace, CA 92313-5607 USA
O: +1 (909) 422-1730 F: +1 (909) 783-3440
www.psgdover.com



PSG®
a **DOVER** company
psgdover.com

GPS420/GPS430 CSA-CERTIFIED METAL PUMP

**38 mm (1-1/2") Pump
Maximum Flow Rate:
460 lpm (122 gpm)**

DIMENSIONAL DRAWING

PUMP DATA

Specifications:

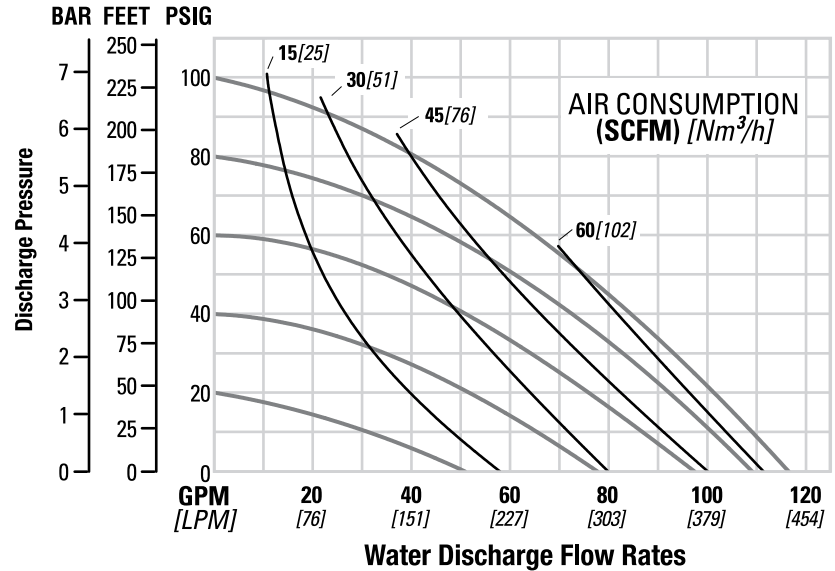
Ship Weight.... 420 Threaded AL 26 kg (57 lb)
 430 Flanged AL 28 kg (62 lb)
 430 Flanged SS 53 kg (116 lb)
 430 Flanged SS 53 kg (116 lb)
Air Inlet 19 mm (3/4")
Inlet.....38 mm (1-1/2")
Outlet.....38 mm (1-1/2")

GPS420/GPS430 CSA-CERTIFIED METAL PUMP

PERFORMANCE

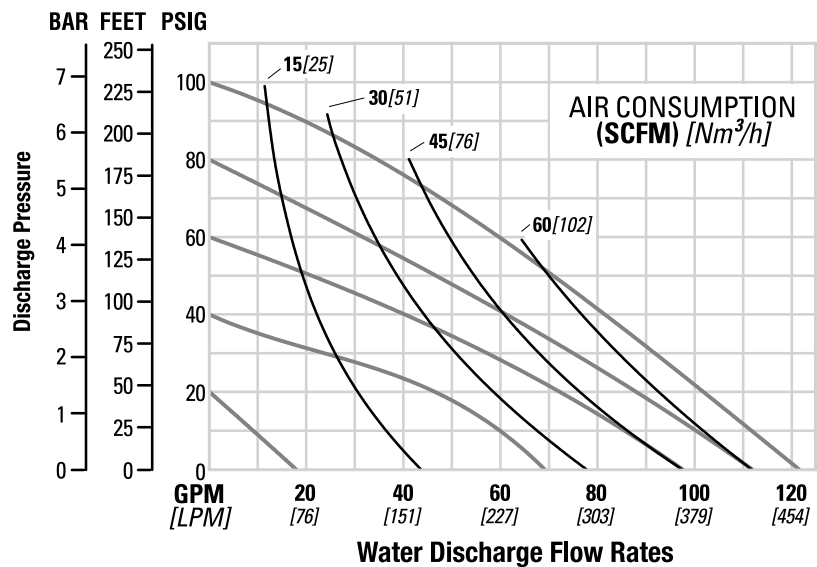
GPS420/GPS430 METAL EZ-INSTALL TPE-FITTED

Max. Flow Rate.....441 lpm (117 gpm)
 Max. Inlet Pressure6.9 bar (100 psig)
 Max. Size Solids..... 6.4 mm (1/4")
 Max. Suction Lift.....4.7 m Dry (15.3')
 9.0 m Wet (29.5')



GPS420/GPS430 METAL FULL-STROKE PTFE-FITTED

Max. Flow Rate.....460 lpm (122 gpm)
 Max. Inlet Pressure6.9 bar (100 psig)
 Max. Solids Passage..... 6.4 mm (1/4")
 Max. Suction Lift.....4.5 m Dry (14.8')
 8.6 m Wet (28.4')





GPS 820/GPS 830 CSA-CERTIFIED METAL PUMP

51 mm (2") Pump
Maximum Flow Rate:
645 lpm (171 gpm)

DIMENSIONAL DRAWING

PUMP DATA

Specifications:

Height..... 820 Threaded 670 mm (26.4")
 830 Flanged 760 mm (29.9")
Width..... 453 mm (17.9")
Depth..... Aluminum ADS 366 mm (14.4")
 Stainless Steel ADS 354 mm (13.9")
Ship Weight.....
 820 Threaded AL 47 kg (104 lb)
 830 Flanged AL 54 kg (118 lb)
 820 Threaded SS 73 kg (161 lb)
 830 Flanged SS 81 kg (178 lb)
Air Inlet 19 mm (3/4")
Inlet..... 51 mm (2")
Outlet..... 51 mm (2")



22069 Van Buren Street
Grand Terrace, CA 92313-5651 USA
O: +1 (909) 422-1730 F: +1 (909) 783-3440
www.psgdover.com



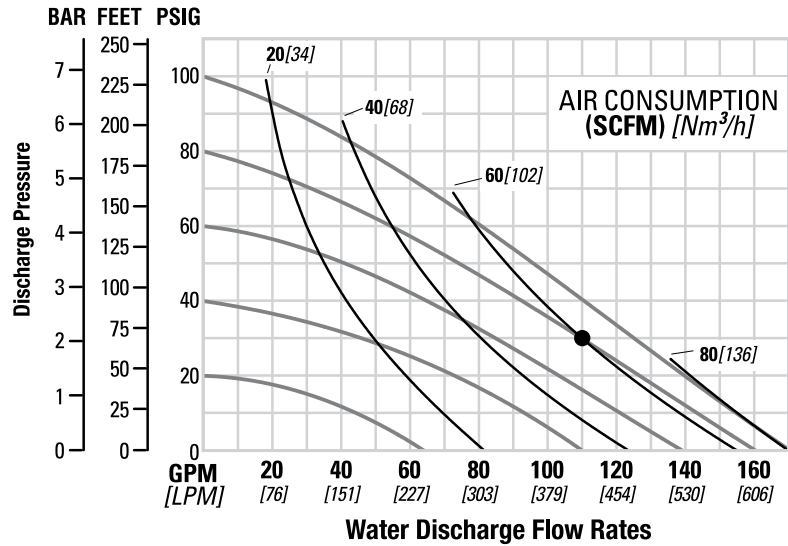
a DOVER company
psgdover.com

GPS820/GPS830 CSA-CERTIFIED METAL PUMP

PERFORMANCE

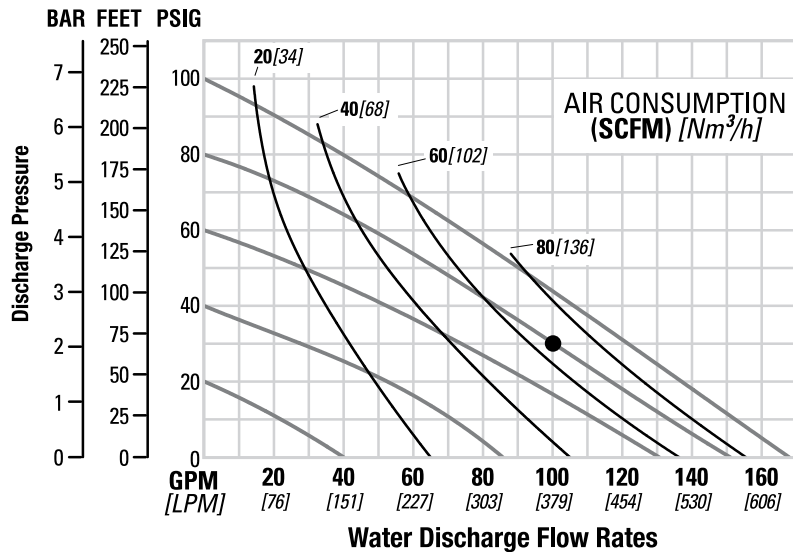
**GPS820/GPS830 METAL
EZ-INSTALL TPE-FITTED**

Max. Flow Rate.....645 lpm (171 gpm)
 Max. Inlet Pressure6.9 bar (100 psig)
 Max. Size Solids..... 6.4 mm (1/4")
 Max. Suction Lift.....5.5 m Dry (18.2')
 9.0 m Wet (29.5')



**GPS820/GPS830 METAL
FULL-STROKE PTFE-FITTED**

Max. Flow Rate.....636 lpm (168 gpm)
 Max. Inlet Pressure6.9 bar (100 psig)
 Max. Size Solids..... 6.4 mm (1/4")
 Max. Suction Lift.....6.1 m Dry (20.0')
 9.0 m Wet (29.5')



GPS1520/GPS1530 CSA-CERTIFIED METAL PUMP

76 mm (3") Pump
Maximum Flow Rate:
933 lpm (246 gpm)

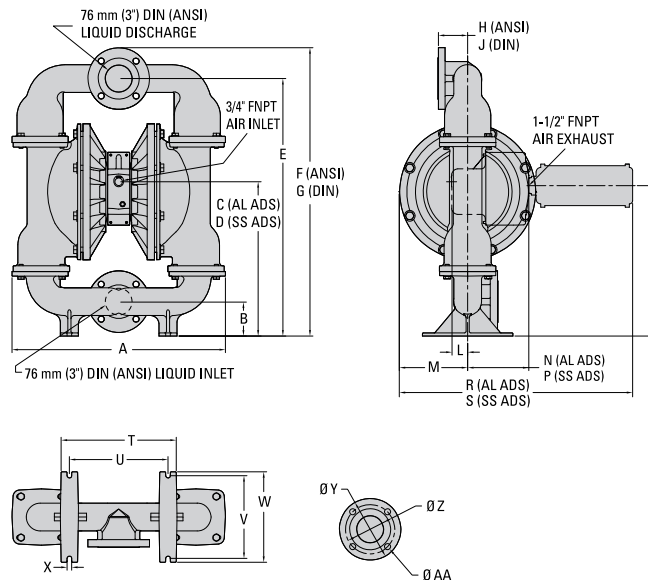
DIMENSIONAL DRAWING

PUMP DATA

Specifications:

Ship Weight.. 1520 Threaded AL 69 kg (152 lb)
 1520 Threaded SS 126 kg (278 lb)
 1530 Flanged 136 kg (300 lb)
 Air Inlet 19 mm (3/4")
 Inlet..... 76 mm (3")
 Outlet..... 76 mm (3")

GPS1530 Stainless Steel



DIMENSIONS

ITEM	METRIC (mm)	STANDARD (inch)
A	659	26.0
B	105	4.1
C	477	18.8
D	483	19.0
E	796	31.3
F	890	35.1
G	891	35.3
H	90	3.6
J	88	3.5
K	465	18.3
L	48	1.9
M	211	8.3
N	189	7.4
P	177	7.0
R	721	28.4
S	709	27.9
T	356	14.0
U	305	12.0
V	256	10.1
W	279	11.0
X	14	0.6
	DIN (mm)	ANSI (inch)
Y	200 DIA.	7.5 DIA.
Z	160 DIA.	6.0 DIA.
AA	18 DIA.	0.8 DIA.

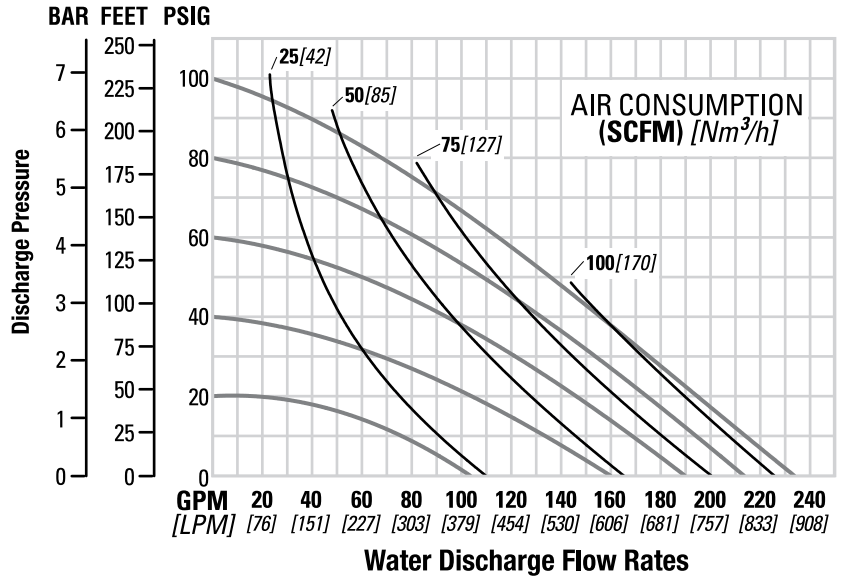
LW0260 REV. A

GPS1520/GPS1530 CSA-CERTIFIED METAL PUMP

PERFORMANCE

**GPS1520/GPS1530 METAL
EZ-INSTALL TPE-FITTED**

Max. Flow Rate.....884 lpm (234 gpm)
 Max. Inlet Pressure6.9 bar (100 psig)
 Max. Size Solids..... 12.7 mm (1/2")
 Suction Lift4.7 m Dry (15.3')
 9.0 m Wet (29.5')



**GPS1520/GPS1530 METAL
FULL-STROKE PTFE-FITTED**

Max. Flow Rate.....993 lpm (246 gpm)
 Max. Inlet Pressure6.9 bar (100 psig)
 Max. Size Solids..... 12.7 mm (1/2")
 Max. Suction Lift5.9 m Dry (19.3')
 8.6 m Wet (28.4')

