

# 430D 430D IT

Backhoe Loader



## Engine

Engine Model	Cat® 3054C DIT	
Gross Power (SAE J1995)	75 kW	101 hp
Net Power (SAE J1349)	72 kW	97 hp

## Operating Weight

Nominal	7355 kg	16,217 lb
Maximum	9800 kg	21,605 lb

## Backhoe

Dig Depth Standard	4639 mm	15 ft 3 in
Dig Depth Extended	6079 mm	19 ft 11 in

# 430D/430D IT Backhoe Loader

*The 430D/430D IT Backhoe Loader sets the industry standard for operator comfort, performance and versatility.*

---

## Pilot Operated Joystick Controls

Standard pilot operated joystick controls add excavator technology and ease of operation to the 430D/430D IT. Low effort controls are easy to use, reduce operator fatigue and increase efficiency. **pg. 4**

---

## Loader Performance

The standard loader and optional integrated toolcarrier offer versatile operation with increased breakout force and lift capacity. **pg. 5**

---

## Backhoe Performance

- ✓ New standard Cat Cushion Swing system, industry leading rotation and forces, improved Diagonal Retention System, excavator-style backhoe boom and an optional extendible stick combine for high productivity levels while the new swing casting and valve improve performance and durability. **pg. 6**

---

## Power Train

- ✓ New Cat 3054C DIT (Direct Injection Turbocharged) engine meets all U.S. EPA Tier 2/EU Stage II emissions requirements and is designed to deliver high productivity with higher net horsepower and an efficient fuel system that increases lug performance. **pg. 10**

---

## Operator Station

- ✓ The 430D/430D IT operator environment is ergonomically designed to create a comfortable work area with easy-to-use machine controls that reduce operator fatigue and increase efficiency and productivity. HVAC improvements increase operator comfort in all conditions. **pg. 12**

---

## Additional Features

Easy access flip-open hood, new color-coded fill caps and other benefits contribute to the ease of serviceability, efficiency and productivity of the 430D and 430D IT. **pg. 14**

*With higher horsepower, standard pilot operated joystick controls, superb digging forces and overall backhoe lift, the 430D/430D IT Backhoe Loader is everything you expect from a Cat machine and more!*



---

### Buckets and Couplers

- ✓ An expansive bucket line, improved heavy-duty Diagonal Retention System and Quick Couplers increase productivity and versatility. **pg. 7**

---

### Work Tools

A wide range of Caterpillar® Work Tools are available to meet the needs of your job site applications. **pg. 8**

---

### Hydraulics

- ✓ Our state-of-the-art closed-center, variable displacement pump with enhancements to the load-sensing hydraulic system improves implement response and speed while still providing high forces at any engine speed. **pg. 9**

---

### Customer Support

Your Cat dealer offers a wide range of services that help you operate longer with lower costs. **pg. 15**



✓ *New Feature*

## Pilot Operated Joystick Controls

*Low effort, comfortable controls reduce fatigue, increase the viewing area and give the operator more legroom.*



### **Pilot Operated Stabilizer Controls.**

These provide low effort and fine modulation control. The stabilizer controls are within easy reach of the operator when operating the backhoe.

**Pilot Control Pods.** Located on the left and right sides, the controls can move fore and aft and three stops are available for ergonomically correct positioning.

**Joystick Controls.** Standard excavator-style joysticks provide smooth modulation and are ergonomically designed for low effort control and operator comfort. As a result of this control design, legroom is increased and the rearward viewing area is greater.

### **Standard Pattern Changer Valve.**

The hydraulic excavator control pattern is standard and switching between backhoe and excavator control patterns with the standard pattern changer valve is as easy as loosening and moving a bolt on the side of the machine.

## Loader Performance

*Single-tilt or integrated toolcarrier loaders offer solid performance and maximum versatility.*

**Loader Linkage.** The standard single-tilt loader features increased lift and breakout forces. The optional integrated toolcarrier loader provides even higher forces, as well as parallel lift for efficient loading and material handling. A return-to-dig system makes operation easy and improves cycle times.



*430D IT Standard Quick Coupler*

**Quick Coupler.** Provides versatility and allows quick connection to selected work tools for the Cat family of integrated toolcarriers. Most work tools can be changed in less than 30 seconds, from the comfort of the operator station.

**Disconnects.** Flat face, hydraulic hose quick disconnect fittings with a connect-under-pressure feature improve the connection of hydraulic work tools.



**IT Loader Controls.** The 430D IT has a new, standard single lever, pilot-operated loader control for proportional control and fine modulation of the hydraulic work tools. A thumb roller control on top operates auxiliary hydraulic functions such as the clam bucket and two buttons control hydraulic broom angle.

**Reverse Signal System.** Pump control changes improve power management between the loader hydraulic system and machine rimpull for faster truck loading. The reverse signal system provides priority to backhoe hydraulics to maximize hydraulic horsepower.

## Backhoe Performance

*New Cat Cushion Swing system, high rotation linkage, improved Diagonal Retention System and strong dig forces boost productivity.*



**High Rotation Backhoe Linkage.** Single pin bucket linkage contributes to best-in-class rotation of 205 degrees for all applications, eliminating the need to change pin position when moving from loading trucks to vertical wall trenching.



**Backhoe Boom.** The excavator-style boom features box section fabrication with internal stiffeners for better balance and weight distribution. The curved design provides additional clearance over obstacles while digging a trench or truck loading. The narrow boom enhances the viewing area to the bucket and trench throughout the entire operating range.

**Extendible Stick.** This optional backhoe attachment replaces the standard stick and increases reach and dig depth by approximately 1.2 meters (4 feet). The extendible stick uses eight self-lubricated, non-metallic wear pads which can be shimmed or replaced. Durable wear pad materials increase wear life in all conditions.

### **New Cat Cushion Swing System.**

The new, standard Cat Cushion Swing System smooths the backhoe swing function when returning to the trench.

### **New Backhoe Swing Casting.**

Improved with replaceable bushings for durability and serviceability.

## Buckets and Couplers

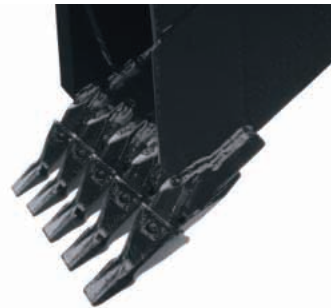
*Our expansive bucket line and improved heavy-duty Diagonal Retention System contribute to increased durability and greater performance.*



**Heavy Duty Rock Bucket.** Specifically designed to address harsh, rocky conditions and capable of digging in granite, caliche and rocky soil.



**Bucket Characteristics.** The side profile has a scalloped edge, similar to an excavator bucket, for exceptional fill factor characteristics and secure clamping ability.



**Quick Couplers.** Allow for quick attachment of buckets and other work tools. The D-Series High Rotation pin grabber design and a C-Series compatible pin grabber allow buckets to be changed without removing the bucket pins. Other manufacturers' buckets can be coupled with a pin puller coupler, one for Case and D-Series buckets or one for John Deere and D-Series buckets. D-Series quick couplers are painted black for easy identification.

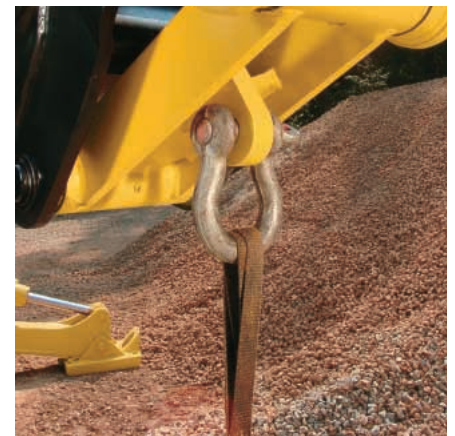
**Bucket Line.** Cat's expansive bucket line includes rock and coral bucket designs. All D-Series buckets are painted black and carry the Cat logo.

**Standard Duty Bucket.** Used in easy-to-penetrate, low-impact, moderately abrasive materials.

**Heavy Duty Bucket.** Used for a wide variety of soil conditions such as semi-rocky soil and hard bank material.

**High Capacity Bucket.** Same durable construction as the Heavy Duty bucket for tough materials but longer tip radius provides increased bucket capacity.

**New DRS 230 (Diagonal Retention System).** New DRS 230 with wide adapters provides maximum strength and improved wear characteristics. Heavy-duty bucket teeth are attached with diagonal pins rather than horizontal pins for easy exchange. The adapters are stronger as a result of this improved diagonal pinning and additional wear material on the bucket teeth increases durability.



**Lift Eye.** An integral lifting eye is a standard feature of the bucket linkage.

## Work Tools

Choose from a wide variety of tools designed specifically for the backhoe loader and integrated toolcarrier.



**430D/430D IT Work Tools.** Caterpillar Work Tools for backhoe loaders extend the versatility of the machine. Built for performance and durability, these tools deliver high productivity, long service life and excellent value:

### **Backhoe Work Tools**

- Standard Duty Bucket
- Heavy Duty Bucket
- Heavy Duty Rock Bucket
- High Capacity Bucket
- Coral Bucket
- Ditch Cleaning Bucket
- Hydraulic Hammer
- Vibratory Plate Compactor
- Ripper
- Thumb
- Auger

### **Loader Work Tools**

- General Purpose Bucket
- Multi Purpose Bucket
- Side Dump Bucket
- Light Material Bucket
- Penetration Bucket
- Loader Forks
- Material Handling Arm
- Angle Blade
- Broom
- Rake
- Asphalt Cutter
- Bale Spear
- Snow Plow



## Hydraulics

*Our state-of-the-art closed-center, variable displacement pump with enhancements to the load-sensing hydraulic system improves implement response and speed while still providing high forces at any engine speed.*



**Hydraulic System.** The load-sensing, variable flow hydraulic system senses work demand and adjusts flow and pressure to match. This allows full hydraulic forces at any engine speed for delicate jobs in tight areas.

**Hydraulic Pump.** Closed-centered implement valves, with pressure compensation for reduced lever effort, signal hydraulic system requirements to a control valve located on the pump. This valve controls the pump to deliver the flow and pressure necessary to fulfill the implement demands.

**Dual Setting Torque Limiter.** The variable displacement pump provides better performance in both backhoe and loader operations through a dual setting torque limiter. It automatically optimizes power to the hydraulic system during backhoe operations and manages the power balance between the loader hydraulic circuit and the drive train during front loader operations.

**XT-3 ES Hoses.** Improved bend radius and abrasion resistance provide reliable long life in the toughest conditions. Made of four overlapping, insulated wire spiral wraps bonded together for durability, XT-3 ES (Enhanced Spiral) hoses exceed SAE certification standards. The hose routing protects them from work damage, and hose failure downtime is substantially reduced. XT-3 ES hoses combined with Caterpillar couplings and O-ring face seal fittings provide a leak-free system.

**Clamps and Bushings.** Metal clamps with rubber busings are used at hose attachment points to eliminate metal-to-metal contact and increase wear life.

## Power Train

*New Cat 3054C DIT engine delivers higher net horsepower and increased lug performance for high productivity and efficiency.*



**Air Cleaner.** A new, dry-type, axial seal air cleaner with automatic, integrated dust ejection system provides more efficient pre-separation. The two-stage air filter incorporates both air cleaner and precleaner functions into a single unit mounted under the hood.

**Transmission.** The Caterpillar Power Shuttle transmission provides four speeds forward and reverse. Full synchromesh gears and hydraulically shifted forward and reverse shuttle clutches allow direction and travel speed to be changed on-the-go. A neutral start provision prevents starting while the shuttle is engaged.

**3054C DIT Diesel Engine.** New 3054C DIT (Direct Injection Turbocharged) meets all U.S. EPA Tier 2/EU Stage II emissions requirements and delivers higher horsepower, increased torque rise and reliable power with low emissions while providing excellent fuel economy with an efficient fuel system and traditional Caterpillar durability.

**Direct Injection Fuel System.** Individual unit fuel injectors deliver efficient and accurate fuel metering, reduced emissions, reliable power, high torque rise and responsive performance. A new water separator service indicator ensures the operator is reminded when service is necessary.

**Automatic Shift Transmission.**

The optional Auto-Shift transmission automatically matches gears with grade and load conditions. Manual mode gives full gear selection to the operator for operation as a Power Shift transmission.

**Kick-down Switch/Transmission**

**Neutralizer.** Located on the loader lever, the kick-down switch on Auto-Shift machines allows the operator to downshift through the gears to first. When this switch is depressed for more than one second, it serves as the transmission neutralizer to maintain engine and hydraulic speed when dumping into trucks.

**Transmission Neutralizer.** Standard on Power Shuttle machines, the hand-operated power disconnect provides easy, on-the-go shifting and full engine rpm for faster cycle times.

**Ride Control Option.** Offers a smooth ride in all conditions and reduces machine loping while roading. It also provides better material retention during load and carry operations while greatly increasing operator comfort. The system engages with the flip of a switch.

**New Caterpillar Front Axles.** New Cat heavy-duty front axles are developed specifically for demanding backhoe loader applications.

**Rear Axles and New Brakes.** Heavy-duty rear axle with self-adjusting inboard brakes, differential lock and final drives. New Kevlar brake discs extend service life, provide quieter braking and decrease stopping distance.

**Two Wheel Drive.** New tapered roller bearings improve kingpin alignment and provide more wear resistance to extend the life of the front axle and tires.

**All Wheel Drive (AWD) Option.** Heavy-duty front drive axle can be engaged at any time by activating the switch on the front console. The switch can be activated while the machine is stopped or moving, with or without load. AWD features outboard planetary gear final drives and improves mobility and loader performance in poor traction conditions.

**Brake Mode Selector.** The brake mode selector switch has three positions: two wheel drive, two wheel drive with all wheel braking and all wheel drive. Center position provides two wheel drive for better tire life while roading and engages the front axle when brakes are applied for improved braking performance.

## Operator Station

*Designed for maximum comfort, ease of operation and increased productivity.*



430D IT Deluxe Cab

**Operator Comfort.** The 430D/430D IT operator station incorporates years of cab design innovations to maximize operator productivity. The pilot operated controls allow for more legroom and a spacious work environment.

**ROPS Canopy.** Includes air suspension vinyl seat, tilt steering wheel, 12-volt power supply, phone clip, left side storage space with lockable compartment, drink holders and floor mats.

**New ROPS Canopy Plus.** Includes air suspension vinyl seat, tilt steering wheel, 12-volt power supply, front windshield and wiper/washer system, phone clip, left side storage space with a lockable compartment, drink holders and floor mats.

**Standard Cab.** Features an air suspension fabric seat, tilt steering wheel, 12-volt power adapter, left-side storage console with drink holders and a lockable compartment, phone clip, two doors and rear windows with opening glass and eight working lights. The cab is radio-ready.

**Deluxe Cab.** Includes all standard cab benefits plus a deluxe, nine-way adjustable air suspension seat; pilot operated stabilizer controls with individual auto-up feature; additional system monitoring including a voltmeter and service indicators for fuel water separator, engine air cleaner and hydraulic filters.

**HVAC System.** The heating, ventilation and air conditioning system main components are located near the floor and improvements have been made to air circulation and increased defrost capabilities. New air duct routings provide improved air flow for the operator.

**Tilt Wheel.** The standard tilt steering wheel on every 430D/430D IT allows more room when entering and exiting the cab and allows the operator to choose the most comfortable steering position.



*Deluxe Seat*

**Air Suspension Seat.** Utilizes an air adjustment mechanism for a greater operating range and more comfortable ride. By pressing a button, the seat can be tailored to support differing body weights. Adjustable seat height accommodates all operators. The Deluxe cab seat also has an adjustable back support, lumbar support, seat cushion extension, seat cushion tilt, as well as vertical and angle adjusting armrests.



**Operator Controls.** The controls of the 430D/430D IT have been carefully laid out to create a user-friendly environment. Switches, boom lock and pilot operated stabilizer controls are located in the side console, within easy reach of the operator. White-faced gauges are easy to read and the low effort pilot controls reduce operator fatigue and help boost overall productivity.

**Ride Control System.** Provides a smooth ride in all applications, reduces machine loping while roading and provides better material retention during load and carry operations while increasing operator comfort. A nitrogen accumulator added to the loader lift circuit cushions the system and engages with the flip of a switch.

**Rear Window.** The rear window features a heavy-duty hinge structure and positive latch mechanism to hold the window in the open position.

## Additional Features

*Easy access flip-open hood, new color-coded fill caps and other benefits contribute to the ease of serviceability, efficiency and productivity of the 430D and 430D IT.*



*Color-coded fill caps*

**Flip-Open Hood.** The flip-open hood provides easy, convenient access to all engine check points from the left side of the machine. Fill caps are color-coded for quick identification.

**Stackable Counterweights.** Allow easy adjustment of weight distribution without having to completely replace an existing counterweight.

**Fuel Tank.** Large capacity tank located on the frame's left side is lockable and includes a replaceable, bolt-on step.

**Tool and Battery Box.** Spacious, convenient and secure tool storage location.



## Customer Support

*Cat dealer services help you operate longer with lower costs.*



**Machine Selection.** Make detailed comparisons of the machines under consideration before purchase. Cat dealers can estimate component life, preventative maintenance cost and the true cost of lost production. You can also customize the machine that is right for you. Go on-line anytime to review the full range of features and options available using the Build and Quote applications on your dealer's website or [www.Cat.com](http://www.Cat.com).

**Purchase.** Look at the total package. Consider the financing options available as well as day-to-day operating costs. Look at dealer services that can be included in the cost of the machine to yield lower equipment owning and operating costs over the long run.

### **Customer Support Agreements.**

Cat dealers offer a variety of product support agreements and work with customers to develop a plan that best meets specific needs. These plans can cover the entire machine, including work tools, to help protect the customer's investment.

**Product Support.** You will find nearly all parts at our dealer parts counter. Cat dealers use a worldwide computer network to find in-stock parts to minimize machine downtime. Save money with genuine Cat Reman parts. You receive the same warranty and reliability as new products but with a cost savings of 40 to 70 percent.

**Operation.** Improving operating techniques can boost your profits. Your Cat dealer has training videotapes, literature and other ideas to help you increase productivity.

**Maintenance Services.** Choose from your dealer's range of maintenance services when you purchase your machine. Repair option programs guarantee the cost of repairs up front. Diagnostic programs such as S•O•S<sup>SM</sup> and Coolant Sampling and Technical Analysis help you avoid unscheduled repairs.

**Replacement.** Repair, rebuild or replace? Your Cat dealer can help you evaluate the cost involved so you can make the right choice.

## Engine

Engine Model	Cat 3054C DIT	
Gross Power (SAE J1995)	75 kW	101 hp
ISO 14396	75 kW	100 hp
Net Power (SAE J1349)	72 kW	97 hp
ISO 9249	73 kW	98 hp
EEC 80/1269	73 kW	98 hp
DIN 700200	104PS	
Bore	105 mm	4.13 in
Stroke	127 mm	5 in
Displacement	4.4 L	268 in <sup>3</sup>
Net Torque Rise @ 1400 rpm	29 %	
Net Peak Torque @ 1400 rpm	405 N·m	299 lb ft

- The net power ratings apply at 2200 rpm when tested under the specified conditions for the specified standard.
- Net torque rise meets SAE J1349.

## Weights

Operating Weight		
Nominal	7355 kg	16,217 lb
Maximum	9800 kg	21,605 lb
Cab, ROPS/FOPS	234 kg	515 lb
Auto-Shift Transmission	25 kg	55 lb
Ride Control	25 kg	55 lb
Air Conditioning	45 kg	99 lb
All-Wheel Drive	106 kg	234 lb
MP Bucket 0.96 m <sup>3</sup> (1.25 yd <sup>3</sup> )		
w/Fold-Over Fork	387 kg	855 lb
w/o Fold-Over Fork	217 kg	480 lb
Loader, IT w/QC	336 kg	741 lb
Extendible Stick (no weights)	354 kg	780 lb
Counterweights		
Base	145 kg	320 lb
Stack (3), each	104 kg	230 lb
Stack (1)	213 kg	470 lb

- Bumper (16 kg/35 lb) is standard with all units.
- Total gross machine weight not to exceed 9800 kg (21,605 lb).

## Backhoe

Dig Depth		
Standard	4639 mm	15 ft 3 in
E-Stick Retracted	4870 mm	16 ft
E-Stick Extended	6079 mm	19 ft 11 in
Reach from Swing Pivot		
Standard	5972 mm	19 ft 7 in
E-Stick Retracted	6173 mm	20 ft 3 in
E-Stick Extended	7303 mm	24 ft
Bucket Rotation	205°	
Bucket Dig Force		
Standard	65.5 kN	14,732 lb
E-Stick Retracted	65 kN	14,602 lb
E-Stick Extended	65 kN	14,602 lb
Stick Dig Force		
Standard	42 kN	9,448 lb
E-Stick Retracted	39.4 kN	8,865 lb
E-Stick Extended	28.6 kN	6,430 lb
Stick Lift @ 1219 mm (4 ft)		
Standard	6723 kg	14,821 lb
E-Stick Retracted	3563 kg	7,855 lb
E-Stick Extended	1843 kg	4,064 lb
Loading Height	3841 mm	12 ft 7 in
Loading Reach	1823 mm	6 ft

## Operating Specifications — Backhoe

Turning Circle: outside		
Front Wheels	8 m	26 ft 4 in
Widest Loader Bucket	10.8 m	35 ft 6 in

- ISO 5010.
- 2WD, AWD (inner wheel not braked).



## Loader

Bucket Capacity — General Purpose	1 m <sup>3</sup>	1.31 yd <sup>3</sup>
Bucket Width — General Purpose	2406 mm	95 in
Dump Height @ Max Angle		
Single-tilt	2575 mm	8 ft 5 in
IT with QC	2494 mm	8 ft 2 in
Dump Reach @ Max Angle		
Single-tilt	805 mm	2 ft 8 in
IT with QC	830 mm	2 ft 9 in
Dig Depth		
Single-tilt	135 mm	5 in
IT with QC	135 mm	5 in
Lift Capacity @ Full Height		
Single-tilt	2898 kg	6,391 lb
IT with QC	3152 kg	6,949 lb
Bucket Breakout Force		
Single-tilt	45.7 kN	10,269 lb
IT with QC	47.3 kN	10,628 lb

## Hydraulic System

Circuit Type	Load-sensing, closed-center	
Pump Capacity (@ 2200 rpm)	163 L/min	43 gal/min
System Pressure	22 754 kPa	3,300 psi
Pump Type	Variable flow, axial-piston	
Steering Type	Front wheel	
Power Steering	Hydrostatic	
2WD Cylinder		
Bore	70 mm	2.75 in
Stroke	224 mm	8.8 in
Rod Dia.	44 mm	1.75 in
AWD Cylinder		
Bore	65 mm	2.56 in
Stroke	211 mm	8.3 in
Rod Dia.	36 mm	1.42 in
Brake System	Inboard, oil-immersed	

## Brakes

- Brakes meet SAE J1473 and ISO 3450 requirements.
- Inboard, oil-immersed, hydraulically actuated, multiple discs on final drive input shaft.
- Self-adjusting, completely enclosed and sealed.
- Foot operated brake pedals can be interlocked for roading.
- Parking/secondary brakes are independent of the service brake system. Parking brake is mechanically applied through an adjustable hand lever located on the right console.

## Power Train

Power-Shuttle, Forward 1st	6 kph	3.7 mph
Forward 2nd	9.6 kph	6 mph
Forward 3rd	19.9 kph	12.3 mph
Forward 4th	33.7 kph	20.9 mph
Power-Shuttle, Reverse 1st	6 kph	3.7 mph
Reverse 2nd	9.6 kph	6 mph
Reverse 3rd	19.9 kph	12.3 mph
Reverse 4th	33.7 kph	20.9 mph
Auto-Shift (opt), Forward 1st	5.8 kph	3.6 mph
Forward 2nd	9.3 kph	5.8 mph
Forward 3rd	12.3 kph	7.6 mph
Forward 4th	19 kph	11.8 mph
Forward 5th	32 kph	19.8 mph
Auto-Shift (opt), Reverse 1st	5.8 kph	3.6 mph
Reverse 2nd	12.3 kph	7.6 mph
Reverse 3rd	23 kph	14.3 mph

- Auto-Shift automatically shifts between second gear and highest selected gear.
- Forward/reverse electric power shuttle is controlled by a conveniently placed, hand operated lever that provides instant direction changes between forward and reverse through power hydraulic clutches.
- Torque converter free-wheel clutch allows the converter stator to free-wheel during high speed, low torque conditions such as roading.
- Single-stage, 2.63:1 stall ratio.
- Travel speeds of two wheel drive backhoe loader at full throttle when equipped with 19.5 × 24 rear tires.

## Service Refills

Cooling System		
A/C	15.9 L	4.2 gal
High-Ambient	16.7 L	4.4 gal
Fuel Tank	128.7 L	34 gal
Engine Oil w/Filter	7.6 L	2 gal
Transmission		
2WD, Power Shuttle	15.1 L	4 gal
AWD, Power Shuttle	18.2 L	4.8 gal
2WD, Auto Shift	15.1 L	4 gal
AWD, Auto Shift	15.1 L	4 gal
Rear Axle	24.2 L	6.4 gal
Front Axle		
AWD	7.6 L	2 gal
Planetaries	0.8 L	0.2 gal
Hydraulic System	79 L	21 gal
Hydraulic Tank	38 L	10 gal

## Axle Ratings

### Front Axle

#### 2WD

Static	13 765 kg	30,319 lb
Dynamic	3170 kg	698,316 lb

#### AWD

Static	12 271 kg	27,029 lb
Dynamic	3170 kg	6,983 lb

### Rear Axle

Static	27 800 kg	61,233 lb
Dynamic	9270 kg	20,418 lb

- AWD and 2WD axles are pendulum mounted and permanently sealed and lubricated, requiring no daily maintenance. Also features double-acting steering cylinder with 50° steering angle for increased maneuverability. Oscillation 11° each direction from centerline.

## Standards

Brakes SAE J1473/ISO 3450

### Cab

ROPS	SAE J1040 MAY 94 and ISO 3471:1994
FOPS	SAE J/ISO 3449 APR98 LEVEL II and ISO 3449:1992 LEVEL II
Sound	ANSI/SAE J1166 is 78.5 dB (A)
Sound	SAE J88 is 73.0 dB (A)

- Brakes meet SAE J1473 and ISO 3450 requirements.
- When properly installed and maintained, the enclosed cab offered by Caterpillar meets all OSHA and MSHA requirements for operator sound exposure limits in effect at the time of manufacture. When tested with doors and windows closed and measured according to ANSI/SAE J1166, the operator sound exposure Leq (equivalent sound pressure level) is 78.5 dB(A).

## Engine Power Rating Conditions

- Based on standard air conditions of 25° C (77° F) and 99 kPa (29.32 in) in dry barometer.
- Used 35° API gravity fuel having an LHV of 42,780 kJg (18,390 BTU/lb) when used at 30° C (89° F) (reference a fuel density of 838.9 g/L [7.001 lb/gal]).
- Net power advertised is the power available at the flywheel when the engine is equipped with fan, air cleaner, muffler and alternator.
- No derating required up to 2286 m (7500 ft).

## Engine Features

- Dry-type, axial seal air cleaner with automatic, integrated dust ejection system provides more efficient pre-separation. Rolled air filters allow consistent linear flow with reduced installation space.
- Three-ring pistons made of lightweight, silicon/aluminum alloy for strength and maximal thermal conductivity.
- Forged chrome/molybdenum-steel crankshaft with either induction hardened or nitro-carburized journals.
- Front and rear crankshaft oil seals are “lip” type Viton and PTFE designs featuring an integral dust lip.
- Heat resistant, silicone-chrome steel intake and STELLITE-faced exhaust valves provide long engine life.
- Cylinder block is high strength cast iron alloy of deep-skirt, monobloc design for increased strength and long life.
- Cylinder head is high strength, cast iron alloy construction with extra duty wall and deck thickness. Intake and exhaust ports are precision cast to promote optimum gas flow.
- Direct injection fuel system provides accurate fuel delivery and remote mounted electric lift pump improves serviceability.
- Self-priming electric lift pump for improved cold start capability and easy filter changes.
- One filter fuel system reduces owning & operating costs.
- Dry-type, radial seal, two-stage air cleaner with automatic dust ejection system.
- Direct electric, 12-volt starting and charging system with 880 CCA Group 31 maintenance free battery.
- Standard glow plug starting aid system for efficient cold weather starting.
- High contact ratio/gear train, peripheral fixed isolated top cover and open deck block design reduce bare engine noise.
- Higher low end torque for better engine/machine performance.

## Tires

Tubeless, nylon, loader-design tire sets.

Type	Size	Ply Rating
2WD Bias		
Front	11L x 16	12
Rear	19.5 x 24	10
4WD Bias		
Front	12.5/80 x 18	10
Rear	19.5 x 24	10
4WD Radial		
Front	340/80 x R18	radial
Rear	19.5 x 24	radial
4WD Combination		
Front	340/80 x R18	radial
Rear	19.5 x 24	10

## Standard Duty Buckets

With weld-on adapters and pin-on teeth.

Width (mm/in)	Capacities SAE (liters/ft <sup>3</sup> )	Weight (kg/lb)	No. of Teeth
305/12	78/2.8	97/213	3
457/18	118/4.2	115/253	4
610/24	175/6.2	132/290	5
762/30	233/8.2	147/323	5
914/36	292/10.3	165/363	6

## High Capacity Buckets

With weld-on adapters and pin-on teeth.

Width (mm/in)	Capacities SAE (liters/ft <sup>3</sup> )	Weight (kg/lb)	No. of Teeth
457/18	180/6.4	146/321	4
610/24	240/8.5	171/376	5
762/30	320/11.3	195/429	5
914/36	380/13.4	214/471	6

## Heavy Duty Buckets

With weld-on adapters and pin-on teeth.

Width (mm/in)	Capacities SAE (liters/ft <sup>3</sup> )	Weight (kg/lb)	No. of Teeth
305/12	78/2.8	105/231	3
406/16	105/3.7	127/279	3
457/18	118/4.2	129/284	4
610/24	175/6.2	151/332	5
762/30	233/8.2	167/367	5
914/36	292/10.3	189/416	6

## Heavy Duty Rock Buckets

With weld-on adapters and pin-on teeth.

Width (mm/in)	Capacities SAE (liters/ft <sup>3</sup> )	Weight (kg/lb)	No. of Teeth
305/12	70/2.5	120/265	3
457/18	127/4.5	150/331	4
610/24	198/7.0	175/386	5
762/30	255/9.5	195/430	5
914/36	311/11.5	210/463	6

## Counterweights

Total gross machine weight not to exceed 9800 kg (21,605 lb).

### Minimum Counterweight Recommendations — Standard Stick

Loader Bucket	Power Train	Single-Tilt		IT Loader w/QC	
		kg	lb	kg	lb
GP	2WD	460	1,010	145	320
GP	AWD	355	780	bumper	bumper
MP	2WD	145	320	bumper	bumper
MP	AWD	bumper	bumper	bumper	bumper
MP with fold-over forks	2WD/AWD	bumper	bumper	N/A	N/A
Forks	2WD/AWD	N/A	N/A	bumper	bumper
Material handling arm	2WD	N/A	N/A	250	550
Material handling arm	AWD	N/A	N/A	145	320

### Minimum Counterweight Recommendations — Extendible Stick

Loader Bucket	Power Train	Single-Tilt		IT Loader w/QC	
		kg	lb	kg	lb
GP	2WD	570	1,250	570	1,250
GP	AWD	570	1,250	460	1,010
MP	2WD	570	1,250	250	550
MP	AWD	570	1,250	145	320
MP with fold-over forks	2WD	355	780	N/A	N/A
MP with fold-over forks	AWD	250	550	N/A	N/A
Forks	2WD	N/A	N/A	570	1,250
Forks	AWD	N/A	N/A	460	1,010
Material handling arm	AWD	N/A	N/A	570	1,250

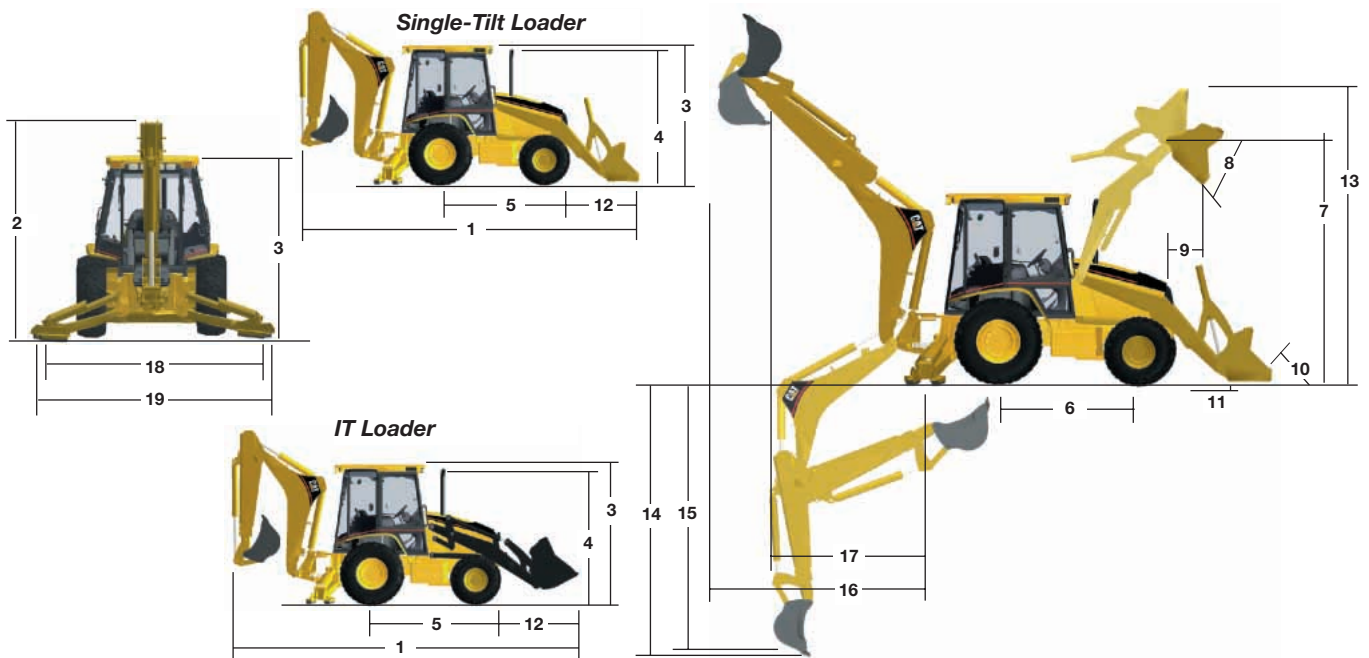
# Machine Dimensions

		Single-Tilt Loader		
		General Purpose (1.00 m <sup>3</sup> /1.31 yd <sup>3</sup> )	General Purpose (1.07 m <sup>3</sup> /1.40 yd <sup>3</sup> )	General Purpose (1.15 m <sup>3</sup> /1.50 yd <sup>3</sup> )
(1)	Overall transport length	7289 mm/23 ft 11 in	7354 mm/24 ft 2 in	7354 mm/24 ft 2 in
	Overall length (loader on ground)	7279 mm/23 ft 11 in	7344 mm/24 ft 1 in	7344 mm/24 ft 1 in
(2)	Overall transport height (standard stick)	3770 mm/12 ft 4 in	3770 mm/12 ft 4 in	3770 mm/12 ft 4 in
	Overall transport height (extendible stick)	3770 mm/12 ft 4 in	3770 mm/12 ft 4 in	3770 mm/12 ft 4 in
	Overall width with bucket	2406 mm/7 ft 11 in	2352 mm/7 ft 9 in	2406 mm/7 ft 11 in
(3)	Height to top of cab/canopy	2770 mm/9 ft 1 in	2770 mm/9 ft 1 in	2770 mm/9 ft 1 in
(4)	Height to top of exhaust stack	2670 mm/8 ft 9 in	2670 mm/8 ft 9 in	2670 mm/8 ft 9 in
	Height to loader hinge pin (transport)	510 mm/1 ft 8 in	510 mm/1 ft 8 in	510 mm/1 ft 8 in
	Ground clearance (minimum)	297 mm/1 ft 0 in	297 mm/1 ft 0 in	297 mm/1 ft 0 in
(5)	Rear axle centerline to front grill	2660 mm/8 ft 9 in	2660 mm/8 ft 9 in	2660 mm/8 ft 9 in
	Front wheel tread gauge	1871 mm/6 ft 2 in	1871 mm/6 ft 2 in	1871 mm/6 ft 2 in
	Rear wheel tread gauge	1714 mm/5 ft 8 in	1714 mm/5 ft 8 in	1714 mm/5 ft 8 in
(6)	Wheelbase 2WD/AWD	2100 mm/6 ft 11 in	2100 mm/6 ft 11 in	2100 mm/6 ft 11 in

		Single-Tilt Loader	
		Multi Purpose (0.96 m <sup>3</sup> /1.25 yd <sup>3</sup> )	Multi Purpose (1.03 m <sup>3</sup> /1.35 yd <sup>3</sup> )
(1)	Overall transport length	7274 mm/23 ft 10 in	7274 mm/23 ft 10 in
	Overall length (loader on ground)	7264 mm/23 ft 10 in	7264 mm/23 ft 10 in
(2)	Overall transport height (standard stick)	3770 mm/12 ft 4 in	3770 mm/12 ft 4 in
	Overall transport height (extendible stick)	3770 mm/12 ft 4 in	3770 mm/12 ft 4 in
	Overall width with bucket	2352 mm/7 ft 9 in	2406 mm/7 ft 11 in
(3)	Height to top of cab/canopy	2770 mm/9 ft 1 in	2770 mm/9 ft 1 in
(4)	Height to top of exhaust stack	2670 mm/8 ft 9 in	2670 mm/8 ft 9 in
	Height to loader hinge pin (transport)	510 mm/1 ft 8 in	510 mm/1 ft 8 in
	Ground clearance (minimum)	297 mm/1 ft 0 in	297 mm/1 ft 0 in
(5)	Rear axle centerline to front grill	2660 mm/8 ft 9 in	2660 mm/8 ft 9 in
	Front wheel tread gauge	1871 mm/6 ft 2 in	1871 mm/6 ft 2 in
	Rear wheel tread gauge	1714 mm/5 ft 8 in	1714 mm/5 ft 8 in
(6)	Wheelbase 2WD/AWD	2100 mm/6 ft 11 in	2100 mm/6 ft 11 in

### IT Loader with Quick Coupler

	General Purpose (1.00 m <sup>3</sup> /1.31 yd <sup>3</sup> )	General Purpose (1.15 m <sup>3</sup> /1.50 yd <sup>3</sup> )	Multi Purpose (0.96 m <sup>3</sup> /1.25 yd <sup>3</sup> )	Multi Purpose (1.03 m <sup>3</sup> /1.35 yd <sup>3</sup> )
(1) Overall transport length	7334 mm/24 ft 1 in	7399 mm/24 ft 3 in	7314 mm/24 ft 0 in	7314 mm/24 ft 0 in
Overall length (loader on ground)	7324 mm/24 ft 0 in	7389 mm/24 ft 3 in	7304 mm/23 ft 11 in	7304 mm/23 ft 11 in
(2) Overall transport height (standard stick)	3770 mm/12 ft 4 in	3770 mm/12 ft 4 in	3770 mm/12 ft 4 in	3770 mm/12 ft 4 in
Overall transport height (extendible stick)	3770 mm/12 ft 4 in	3770 mm/12 ft 4 in	3770 mm/12 ft 4 in	3770 mm/12 ft 4 in
Overall width	2352 mm/7 ft 9 in	2352 mm/7 ft 9 in	2352 mm/7 ft 9 in	2352 mm/7 ft 9 in
(3) Height to top of cab/canopy	2770 mm/9 ft 1 in	2770 mm/9 ft 1 in	2770 mm/9 ft 1 in	2770 mm/9 ft 1 in
(4) Height to top of exhaust stack	2670 mm/8 ft 9 in	2670 mm/8 ft 9 in	2670 mm/8 ft 9 in	2670 mm/8 ft 9 in
Height to loader hinge pin (transport)	510 mm/1 ft 8 in	510 mm/1 ft 8 in	510 mm/1 ft 8 in	510 mm/1 ft 8 in
Ground clearance (minimum)	297 mm/1 ft 0 in	297 mm/1 ft 0 in	297 mm/1 ft 0 in	297 mm/1 ft 0 in
(5) Rear axle centerline to front grill	2660 mm/8 ft 9 in	2660 mm/8 ft 9 in	2660 mm/8 ft 9 in	2660 mm/8 ft 9 in
Front wheel tread gauge	1871 mm/6 ft 2 in	1871 mm/6 ft 2 in	1871 mm/6 ft 2 in	1871 mm/6 ft 2 in
Rear wheel tread gauge	1714 mm/5 ft 8 in	1714 mm/5 ft 8 in	1714 mm/5 ft 8 in	1714 mm/5 ft 8 in
(6) Wheelbase 2WD/AWD	2100 mm/6 ft 11 in	2100 mm/6 ft 11 in	2100 mm/6 ft 11 in	2100 mm/6 ft 11 in



# Loader Bucket Dimensions and Performance

## Single-Tilt Loader

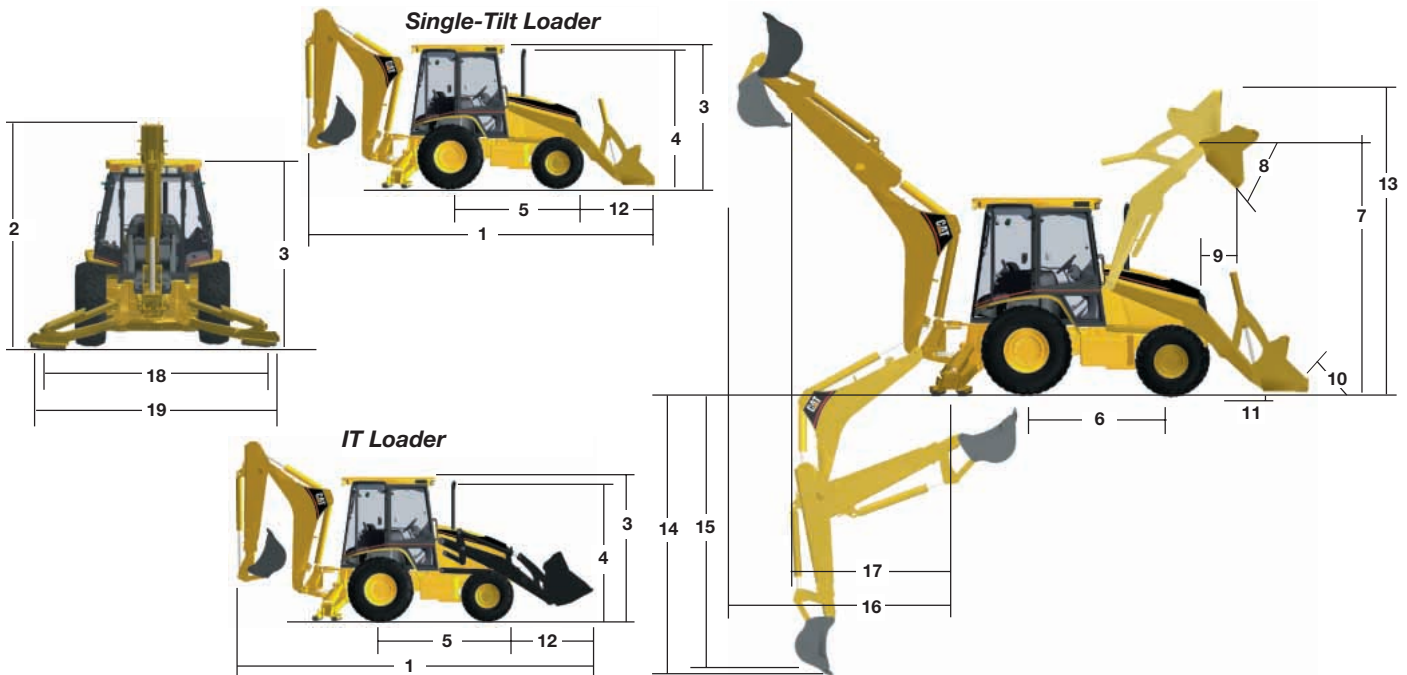
	General Purpose (1.00 m <sup>3</sup> /1.31 yd <sup>3</sup> )	General Purpose (1.07 m <sup>3</sup> /1.40 yd <sup>3</sup> )	General Purpose (1.15 m <sup>3</sup> /1.50 yd <sup>3</sup> )
Capacity (SAE) rated	1.00 m <sup>3</sup> /1.31 yd <sup>3</sup>	1.07 m <sup>3</sup> /1.40 yd <sup>3</sup>	1.15 m <sup>3</sup> /1.50 yd <sup>3</sup>
Width	2406 mm/7 ft 11 in	2262 mm/7 ft 5 in	2406 mm/7 ft 11 in
Lift capacity at maximum height	2898 kg/6,391 lb	2837 kg/6,254 lb	2826 kg/6,230 lb
Breakout force	45.7 kN/10,269 lb	44.6 kN/10,026 lb	44.5 kN/10,005 lb
(7) Maximum hinge pin height	3266 mm/10 ft 9 in	3266 mm/10 ft 9 in	3266 mm/10 ft 9 in
(8) Dump angle at full height	43°	43°	43°
Dump height at maximum angle	2575 mm/8 ft 5 in	2521 mm/8 ft 3 in	2521 mm/8 ft 3 in
(9) Dump reach at maximum angle	802 mm/2 ft 8 in	801 mm/2 ft 8 in	801 mm/2 ft 8 in
(10) Maximum bucket rollback at ground level	40°	40°	40°
(11) Digging depth	135 mm/5 in	174 mm/7 in	174 mm/7 in
Maximum grading angle	107°	107°	107°
Width of dozer cutting edge	N/A	N/A	N/A
(12) Grill to bucket cutting edge, carry position	1519 mm/5 ft 0 in	1581 mm/5 ft 2 in	1581 mm/5 ft 2 in
(13) Maximum operating height	4146 mm/13 ft 7 in	4188 mm/13 ft 9 in	4188 mm/13 ft 9 in
Jaw opening maximum	N/A	N/A	N/A
Bucket jaw clamping force	N/A	N/A	N/A
Weight (does not include teeth or forks)	445 kg/980 lb	438 kg/965 lb	458 kg/1,010 lb

## Single-Tilt Loader

	Multi Purpose (0.96 m <sup>3</sup> /1.25 yd <sup>3</sup> )	Multi Purpose (1.03 m <sup>3</sup> /1.35 yd <sup>3</sup> )
Capacity (SAE) rated	0.96 m <sup>3</sup> /1.25 yd <sup>3</sup>	1.03 m <sup>3</sup> /1.35 yd <sup>3</sup>
Width	2262 mm/7 ft 5 in	2406 mm/7 ft 11 in
Lift capacity at maximum height	2747 kg/6,056 lb	2707 kg/5,968 lb
Breakout force	44.9 kN/10,099 lb	44.6 kN/10,018 lb
(7) Maximum hinge pin height	3266 mm/10 ft 9 in	3266 mm/10 ft 9 in
(8) Dump angle at full height	43°	43°
Dump height at maximum angle	2609 mm/8 ft 7 in	2609 mm/8 ft 7 in
(9) Dump reach at maximum angle	721 mm/2 ft 4 in	721 mm/2 ft 4 in
(10) Maximum bucket rollback at ground level	40°	40°
(11) Digging depth	165 mm/6.5 in	165 mm/6.5 in
Maximum grading angle	110°	110°
Width of dozer cutting edge	2406 mm/7 ft 11 in	2406 mm/7 ft 11 in
(12) Grill to bucket cutting edge, carry position	1501 mm/4 ft 11 in	1501 mm/4 ft 11 in
(13) Maximum operating height	4174 mm/13 ft 8 in	4174 mm/13 ft 8 in
Jaw opening maximum	790 mm/2 ft 7 in	790 mm/2 ft 7 in
Bucket jaw clamping force	55.7 kN/12,524 lb	55.7 kN/12,524 lb
Weight (does not include teeth or forks)	662 kg/1,460 lb	685 kg/1,510 lb

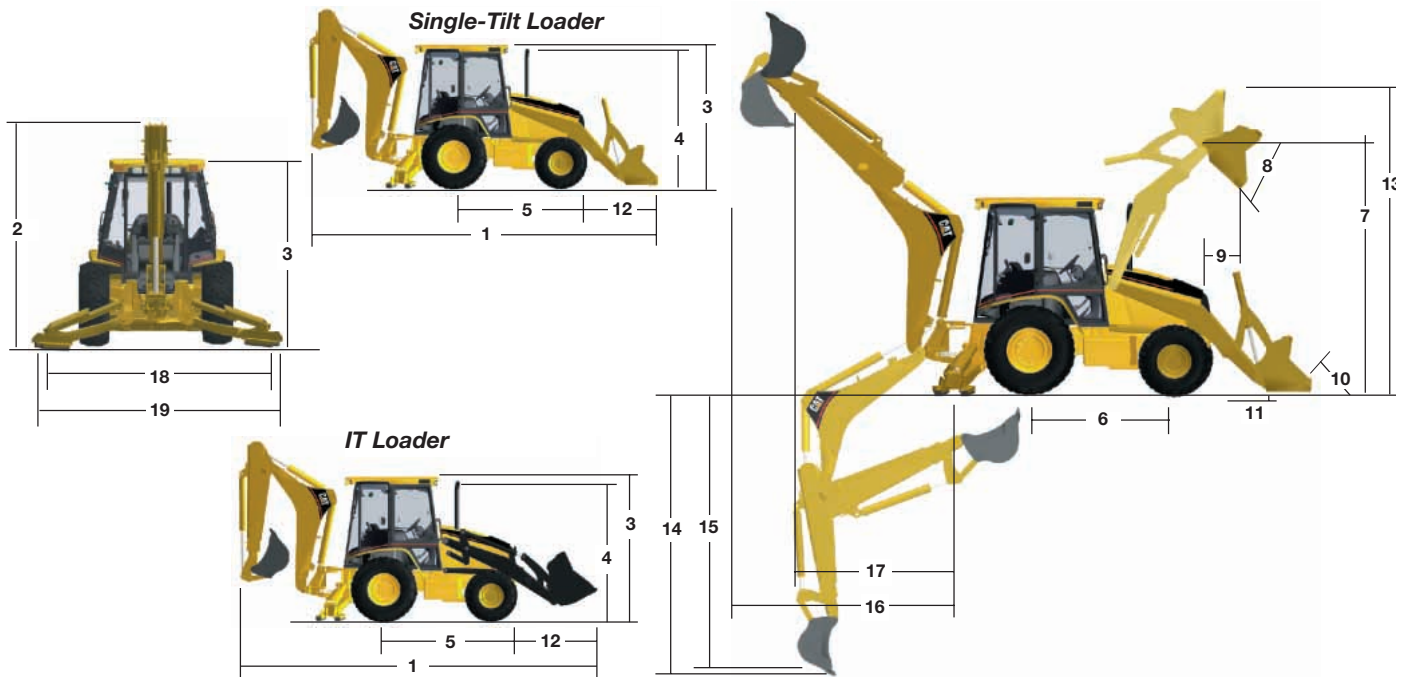
### IT Loader with Quick Coupler

	General Purpose (1.00 m <sup>3</sup> /1.31 yd <sup>3</sup> )	General Purpose (1.15 m <sup>3</sup> /1.50 yd <sup>3</sup> )	Multi Purpose (0.96 m <sup>3</sup> /1.25 yd <sup>3</sup> )	Multi Purpose (1.03 m <sup>3</sup> /1.35 yd <sup>3</sup> )
Capacity (SAE) rated	1.00 m <sup>3</sup> /1.31 yd <sup>3</sup>	1.15 m <sup>3</sup> /1.50 yd <sup>3</sup>	0.96 m <sup>3</sup> /1.25 yd <sup>3</sup>	1.03 m <sup>3</sup> /1.35 yd <sup>3</sup>
Width	2406 mm/7 ft 11 in	2406 mm/7 ft 11 in	2262 mm/7 ft 5 in	2406 mm/7 ft 11 in
Lift capacity at maximum height	3152 kg/6,949 lb	3098 kg/6,829 lb	2958 kg/6,521 lb	2916 kg/6,428 lb
Breakout force	47.3 kN/10,628 lb	46.3 kN/10,410 lb	48.5 kN/10,897 lb	48.3 kN/10,853 lb
(7) Maximum hinge pin height	3266 mm/10 ft 9 in	3266 mm/10 ft 9 in	3266 mm/10 ft 9 in	3266 mm/10 ft 9 in
(8) Dump angle at full height	43°	43°	43°	43°
Dump height at maximum angle	2494 mm/8 ft 2 in	2440 mm/8 ft 0 in	2531 mm/8 ft 4 in	2531 mm/8 ft 4 in
(9) Dump reach at maximum angle	830 mm/2 ft 9 in	827 mm/2 ft 9 in	751 mm/2 ft 6 in	751 mm/2 ft 6 in
(10) Maximum bucket rollback at ground level	40°	40°	40°	40°
(11) Digging depth	135 mm/5 in	174 mm/7 in	165 mm/6.5 in	165 mm/6.5 in
Maximum grading angle	108°	108°	111°	111°
Width of dozer cutting edge	N/A	N/A	2406 mm/7 ft 11 in	2406 mm/7 ft 11 in
(12) Grill to bucket cutting edge, carry position	1562 mm/5 ft 2 in	1625 mm/5 ft 4 in	1543 mm/5 ft 1 in	1543 mm/5 ft 1 in
(13) Maximum operating height	4204 mm/13 ft 10 in	4250 mm/13 ft 11 in	4223 mm/13 ft 10 in	4223 mm/13 ft 10 in
Jaw opening maximum	N/A	N/A	790 mm/2 ft 7 in	790 mm/2 ft 7 in
Bucket jaw clamping force	N/A	N/A	55.7 kN/12,524 lb	55.7 kN/12,524 lb
Weight (does not include teeth or forks)	445 kg/980 lb	458 kg/1,010 lb	662 kg/1,460 lb	685 kg/1,510 lb



# Backhoe Dimensions and Performance

	Standard Stick	Extendible Stick Retracted	Extendible Stick Extended
(14) Digging depth, SAE (max)	4639 mm/15 ft 3 in	4870 mm/16 ft 0 in	6079 mm/19 ft 11 in
(15) Digging depth, 2 ft flat bottom	4624 mm/15 ft 2 in	4847 mm/15 ft 11 in	6051 mm/19 ft 10 in
Reach from rear axle centerline at ground line	7062 mm/23 ft 2 in	7263 mm/23 ft 10 in	8393 mm/27 ft 6 in
(16) Reach from swing pivot at ground line	5972 mm/19 ft 7 in	6173 mm/20 ft 3 in	7303 mm/24 ft 0 in
Maximum operating height	5745 mm/18 ft 10 in	5884 mm/19 ft 4 in	6715 mm/22 ft 0 in
Loading height	3841 mm/12 ft 7 in	3940 mm/12 ft 11 in	4581 mm/15 ft 0 in
(17) Loading reach	1823 mm/6 ft 0 in	2040 mm/6 ft 8 in	3076 mm/10 ft 1 in
Swing arc	180°	180°	180°
Bucket rotation	205°	205°	205°
(18) Stabilizer spread, operating position (center of pad)	3219 mm/10 ft 7 in	3219 mm/10 ft 7 in	3219 mm/10 ft 7 in
(19) Stabilizer spread, operating position (outside edge of pad)	3689 mm/12 ft 1 in	3689 mm/12 ft 1 in	3689 mm/12 ft 1 in
Stabilizer spread, transport position	2352 mm/7 ft 9 in	2352 mm/7 ft 9 in	2352 mm/7 ft 9 in
Bucket dig force	65.6 kN/14,732 lb	65.0 kN/14,602 lb	65.0 kN/14,602 lb
Stick dig force	42.0 kN/9,448 lb	39.4 kN/8,865 lb	28.6 kN/6,430 lb





# Dimensions with Forks/Material-Handling Arm

## Cat 430D IT Operating Specifications with Forks

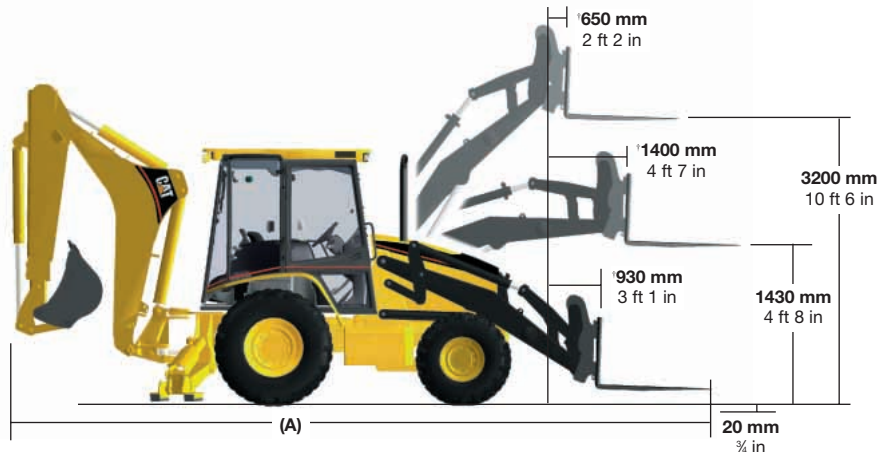
<b>Fork Tine Length:</b>	<b>1050 mm/3 ft 5 in</b>	<b>1200 mm/3 ft 11 in</b>	<b>1350 mm/4 ft 5 in</b>
Operating load (SAE J1197)	1961 kg/4,322 lb*	1890 kg/4,166 lb*	1816 kg/4,004 lb*
Operating load (CEN474-4)	2394 kg/5,277 lb*	2383 kg/5,254 lb*	2373 kg/5,232 lb*
Overall length (A)	7869 mm/25 ft 10 in	8019 mm/26 ft 4 in	8169 mm/26 ft 10 in
Load center	525 mm/1 ft 9 in	600 mm/2 ft 0 in	675 mm/2 ft 3 in

\*Tip limited.

Specifications include lubricants, full fuel tank, ROPS cab, 80 kg (176 lb) operator, 460 kg (1,010 lb) counterweight, standard tires, standard stick, 24-inch heavy-duty bucket, 2WD.

Machine stability is affected by machine options and backhoe attachments.

All dimensions are approximate.



<sup>1</sup>Measured from nose of machine.

## Cat 430D IT Operating Specifications with Material-Handling Arm

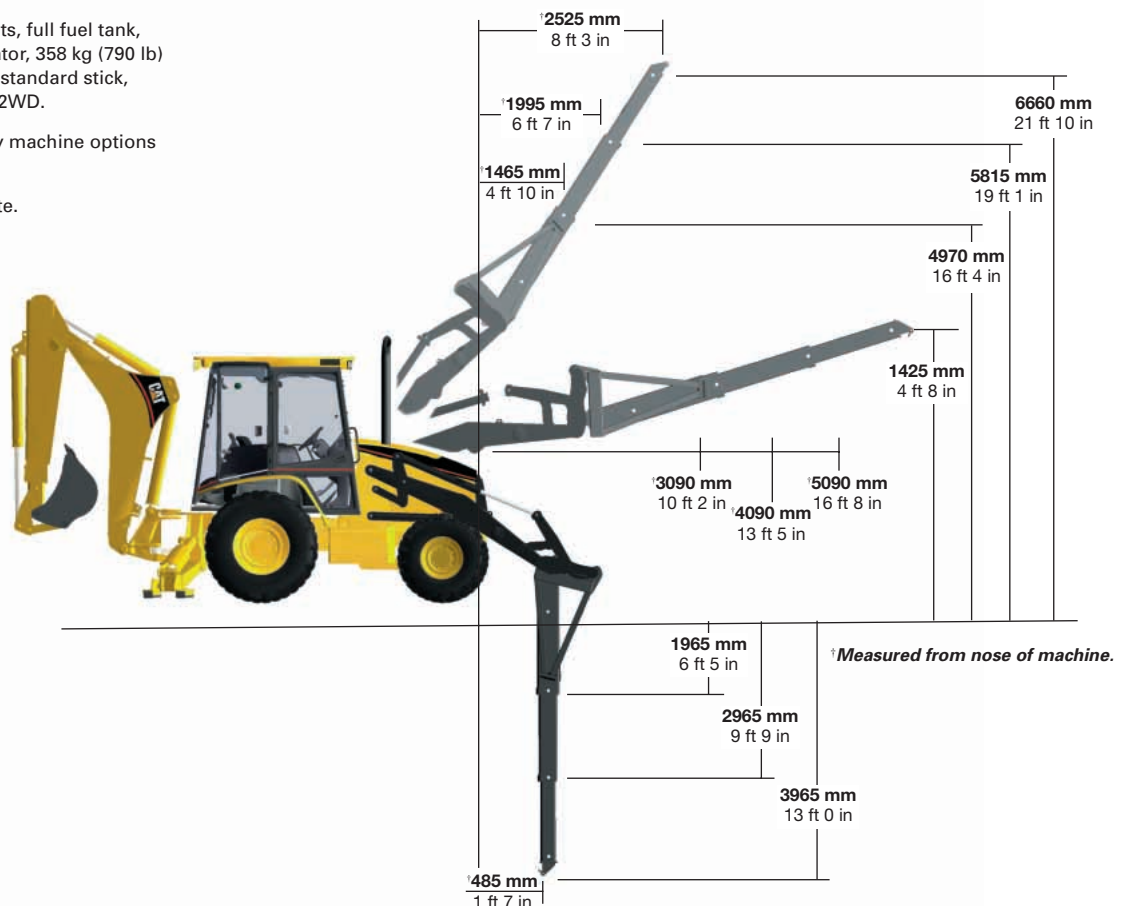
<b>Material-Handling Arm Position:</b>	<b>Retracted</b>	<b>Mid-Position</b>	<b>Extended</b>
Operating load (SAE J1197 & CEN474-4)	967 kg/2,131 lb**	612 kg/1,349 lb**	448 kg/988 lb**
Overall length, maximum	8815 mm/28 ft 11 in	9815 mm/32 ft 2 in	10 815 mm/35 ft 6 in

Specifications include lubricants, full fuel tank, ROPS cab, 80 kg (176 lb) operator, 358 kg (790 lb) counterweight, standard tires, standard stick, 24-inch standard-duty bucket, 2WD.

Machine stability is affected by machine options and backhoe attachments.

All dimensions are approximate.

\*\*Hydraulic limited.



<sup>1</sup>Measured from nose of machine.

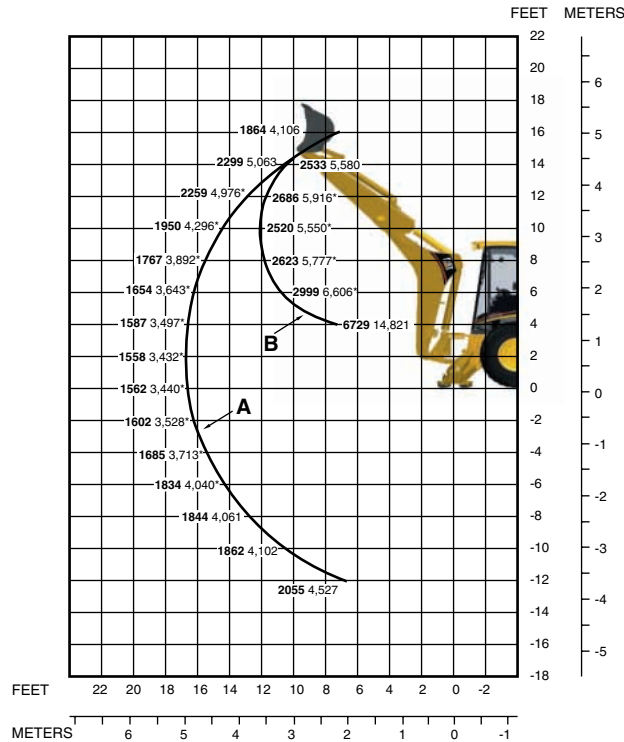
# Backhoe Lift Capacity

Standard and optional equipment may vary. Consult your Caterpillar dealer for details.

## Cat 430D/430D IT Standard Stick

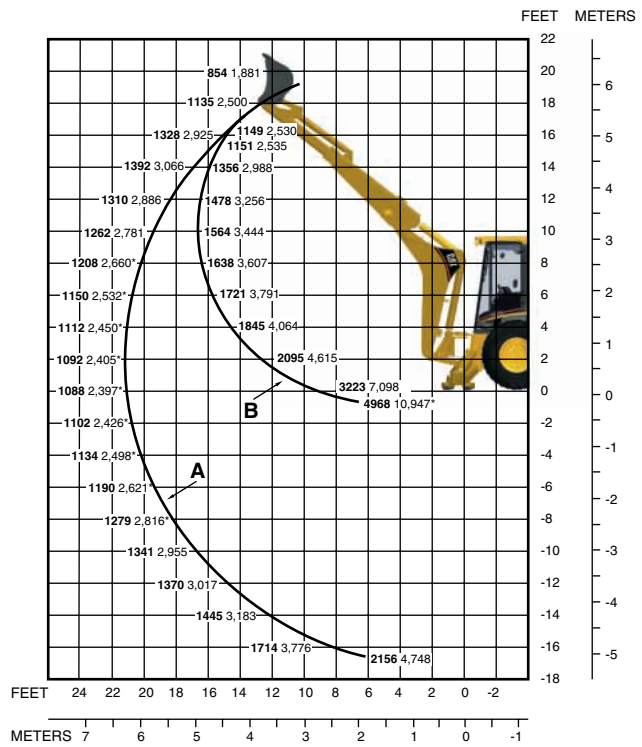
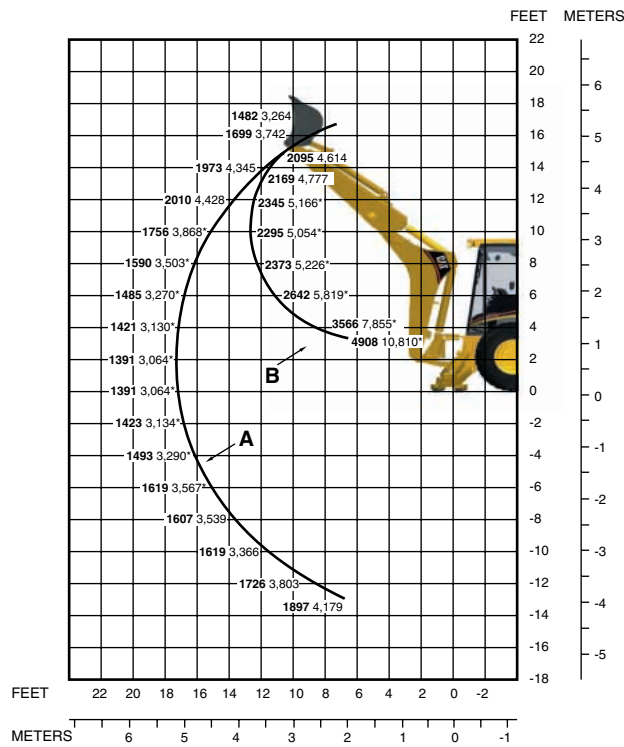
### KEY

- A — Boom lift **kg lb**
- B — Stick lift **kg lb**



## Cat 430D/430D IT Extendible Stick — Retracted

## Cat 430D/430D IT Extendible Stick — Extended



Lift capacities are over-end values. Machine equipped with 2WD, OROPS, 1.00 m<sup>3</sup> (1.31 yd<sup>3</sup>) general-purpose loader bucket, 610 mm (24 in) heavy duty backhoe bucket and 460 kg (1,010 lb) counterweight. Extendible stick includes 567 kg (1,250 lb) counterweight.

\* Indicates lift capacity is stability limited.

## Standard Equipment

*Standard equipment may vary. Consult your Caterpillar dealer for details.*

Air cleaner	Indicators
Alarm, back-up	Air cleaner service, water separator service, brake on, engine coolant, hydraulic oil level sight gauge, oil pressure
Alarm, audible system fault	Instrument panel lights
Alternator, 120-amp, 12-volt	Joystick controls
Axle, pendulum mount (front)	Pilot operated, excavator-style with pattern changer
Backhoe, center pivot, excavator-style	Key start/stop system
Battery, maintenance-free, 880 CCA	Lights, working (4 front, 4 rear)
Boom transport lock	Loader
Brace, lift cylinder	Self-leveling, return-to-dig and transmission disconnect switch
Brake, secondary parking	Mirror, rearview
Brakes, oil disk, dual pedals, interlock	Receptacle, 12-volt, internal and external
Bucket level indicator	Power steering, hydrostatic
Canopy, ROPS/FOPS	Radio installation kit
Coat hook	Seat belt, retractable (51 mm/2 in)
Coolant/Antifreeze, extended life	Seat, air suspension, fabric or vinyl cover, armrests
Counterweight, bumper	Stabilizer controls, pilot operated
Cushion swing system	Stabilizer shoes, grouser style
Differential lock	Starting system, thermal starting aid
Dome light (cab only)	Storage compartment, internal
Engine, Cat 3054C DIT (Direct Injection Turbocharged)	Stop and tail lights (2)
Engine enclosure	Swing transport lock
Face seals, O-ring	Tilt steering wheel
Fan, suction and guard	Tires
Fast reversing shuttle, all gears	Toolbox, external, lockable
Filters, spin-on fuel	Torque converter
Engine oil, transmission oil, water separator, hydraulic fluid	Throttles, hand and foot
Flashing hazard/signal lights	Transmission, four speed, syncromesh
Floor mat	Transmission neutralizer switch
Gauges	Transport tie-downs
Coolant temperature, fuel level, tachometer, hour meter, torque converter oil temperature	Warning horn, rear, electric
Grill, front with bumpers	
Ground line fuel fill	
Hydraulic hose, XT-3 ES	
Hydraulic oil cooler	

# Optional Equipment

With approximate change in operating weight (kg/lb).

Air conditioning . . . . .	.45/99	Cab, Standard with		Hydraulic valves, backhoe	
Attachments, backhoe		air conditioning . . . . .	.251/554	Auxiliary valve	
Mechanical Quick Coupler		Canopy Plus, ROPS . . . . .	.14/30	(standard stick) . . . . .	.5/11
D-Series buckets . . . . .	.75/165	Coolant, additional protection		Auxiliary valve	
C-Series buckets . . . . .	.75/165	(–50° C/–58° F) . . . . .	.0/0	(extendible stick) . . . . .	.5/11
D and Deere buckets . . . . .	.75/165	Counterweights		Hydraulic lines	
D and Case buckets . . . . .	.80/176	Base . . . . .	.145/320	Auxiliary, 2-way lines	
Attachments, front loader		Counterweight, 320 . . . . .	.145/320	(to boom) . . . . .	.10/22
General-purpose buckets		Counterweight, 550 . . . . .	.249/550	Universal, 1-way lines	
1.00 m <sup>3</sup> /1.30 yd <sup>3</sup> . . . . .	.431/968	Counterweight, 1010 . . . . .	.458/1,010	(to stick) . . . . .	.45/99
1.07 m <sup>3</sup> /1.40 yd <sup>3</sup> . . . . .	.439/980	Counterweight, 1250 . . . . .	.567/1,250	Quick disconnects . . . . .	.2/4
1.15 m <sup>3</sup> /1.50 yd <sup>3</sup> . . . . .	.458/1,010	Stackable		Loader, IT with QC	
Multi-purpose bucket		One . . . . .	.105/230	and Pilot loader control . . . . .	.338/745
0.96 m <sup>3</sup> /1.25 yd <sup>3</sup> . . . . .	.662/1,460	Two . . . . .	.249/550	Ride Control . . . . .	.25/55
0.96 m <sup>3</sup> /1.25 yd <sup>3</sup>		(Base + one 105/230 section)		Rotating beacon	
w/forks . . . . .	.832/1,835	Three . . . . .	.458/1,010	Fixed mounted . . . . .	.5/11
1.03 m <sup>3</sup> /1.35 yd <sup>3</sup> . . . . .	.723/1,595	(Base + two 105/230 sections)		Magnetic mounted . . . . .	.5/11
1.03 m <sup>3</sup> /1.35 yd <sup>3</sup>		Also available . . . . .	.567/1,250	Seat belt, 75 mm/3 in . . . . .	.0/0
w/forks . . . . .	.855/1,885	(Base + one 105/230 section		Stabilizers	
Carriage, fork . . . . .	–77/–169	and one 317/700 section)		Street pads, rubber (set of 4) . . .	.37/82
Material-handling arm . . . . .	–79/–173	Cutting edge, bolt-on		Reversible pads . . . . .	.38/84
Axle, front		Two piece . . . . .	.70/154	Stick, extendible . . . . .	.245/540
All-wheel drive with		Fenders, AWD, front . . . . .	.12/26	Teeth, loader bucket . . . . .	.45/99
driveshaft guard . . . . .	.135/298	Guards		Transmission, Auto-shift . . . . .	.25/55
Battery, additional, 880 CCA . . .	.27/60	Stabilizer, rock . . . . .	.30/65	Vandalism protection	
Cab, Deluxe . . . . .	.212/467	High ambient cooling package . . . .	.2/4	Gauge cover . . . . .	.1/2
Cab, Deluxe with		Hydraulic valves, loader		Padlocks . . . . .	.1/2
air conditioning . . . . .	.251/554	3rd valve for GP, MP or		Hood lock . . . . .	.0/0
Cab, Standard . . . . .	.212/467	Quick Coupler . . . . .	.27/60		

\*Included in base machine weight

Cab, Deluxe includes deluxe seat, auto-up stabilizers, voltmeter, and system monitors for plugged engine air filter, hydraulic filter and fuel/water separator.

---

## Notes



---

## Notes

# 430D/430D IT Backhoe Loader

**ForgetAboutBob.com**

*There's A New Skid Steer In Town!*



**800-492-6994**

For more complete information on Cat products, dealer services,  
and industry solutions, visit us on the web at [www.CAT.com](http://www.CAT.com)

© 2004 Caterpillar  
Printed in U.S.A.

AEHQ5578-01 (3-04)

Replaces AEHQ5578

Materials and specifications are subject to change without notice.  
Featured machines in photos may include additional equipment.  
See your Caterpillar dealer for available options.

**CATERPILLAR®**