

525B

Skidder



Engine

Engine Model	Cat® 3126 DITA diesel	
Gross Power	134 kW	180 hp

Dimensions

Wheelbase	3533 mm	139.1 in
-----------	---------	----------

Grapple

Bunching Capacity	1.16 m ²	12.5 ft ²
-------------------	---------------------	----------------------

Weights

Est Operating Weight	16 238 kg	35,800 lb
----------------------	-----------	-----------

525B Skidder

The 525B Skidder is built to exceed all expectations for skidding performance, reliability and comfort, while maximizing productivity.

Performance - Power Train

The field-proven Cat 3126 DITA diesel engine, heavy-duty torque converter with lock-up, five speed transmission and re-engineered differential lock system provide higher horsepower to the ground to maximize performance and productivity, and minimize fuel consumption. **pg. 4**

Performance - Hydraulics

The state-of-the-art closed-center, variable displacement, pressure compensating hydraulic system provides power for braking, steering, blade and grapple functions. **pg. 5**

Durability - Undercarriage

The exclusive front axle design, expanded tire options, and larger footprint provide outstanding skidding performance and a comfortable ride for the operator. **pg. 6**

Serviceability

Regular maintenance is simple with easy access to daily service points. Access to less frequent service points is also simplified. Major components are modular and most can be removed without disturbing or removing others. On-board diagnostic systems help prevent problems, and electronic analysis shortens analysis and repair time for higher productivity. **pg. 10**

Customer Support

Your Cat dealer offers a wide range of services that help you operate longer with lower costs. **pg. 11**

Engineered for demanding work. This skidder is a state-of-the-art machine that represents the Caterpillar® commitment to the logging industry. Reliable, durable operation. Rugged construction and easy maintenance provide long hours of service with the low operating costs you expect from Cat machines.



Durability - Structures

The 525B mainframe, hitch and decking blade are designed and built to surpass the expectations of the logging industry.
pg. 7

Application Flexibility

The 525B Wheel Skidder provides unsurpassed performance and application flexibility due to superior fore-aft stability, torque converter with lock-up power train, ground clearance and an extended wheelbase. **pg. 8**

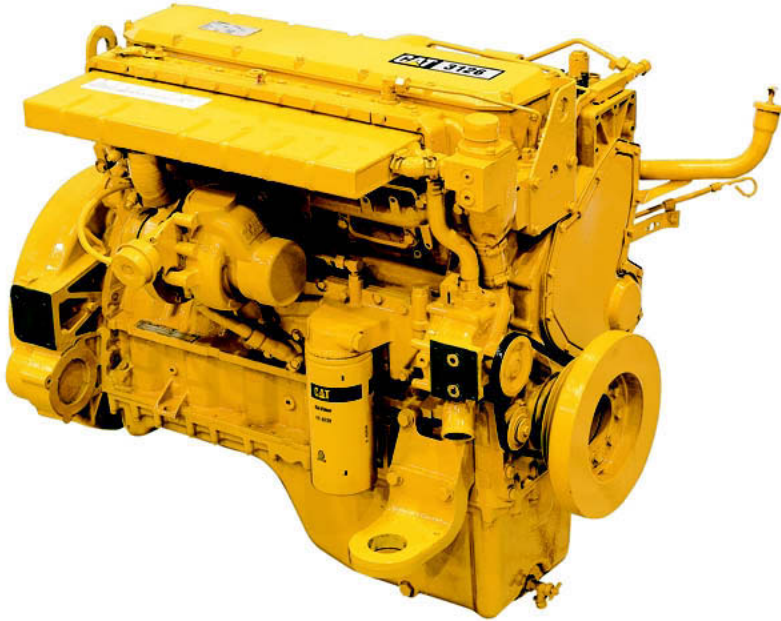
Operator Comfort

The 525B operator environment uses an ergonomic design that creates a comfortable work area with easy-to-use machine controls to reduce fatigue and increase efficiency and productivity.
pg. 9



Performance - Power Train

The 525B Skidder combines the Cat 3126 DITA engine and torque converter/direct drive for relentless pulling power.



3126 DITA Engine. The Cat 3126 delivers reliable power with low emissions, excellent fuel economy, and traditional Caterpillar durability.

Engine Design. Precise engineering and four-stroke cycle provide power, reliability, serviceability and fuel economy.

Direct-Injection Fuel System. Individual unit fuel injectors deliver efficient, accurate fuel metering, reduced emissions, reliable power, high torque rise and responsive performance.

Turbocharger. Enhances performance and engine efficiency, especially at high altitudes, by increasing air supply to the cylinders for excellent combustion.

Aftercooler. Jacket water aftercooler reduces smoke and emissions by providing cooler, more efficient combustion. This also extends the life of the piston rings and bore.

Fuel Pre-filter. Two high-efficiency fuel filters in series with a water separator element ensure excellent fuel cleanliness for extended injector and fuel system life.

Torque Converter. The large, heavy-duty torque converter with a lockup clutch is matched to the Cat 3126 engine for excellent rimpull and improved skidding performance.

High Breakout Loads. The 525B torque converter is also well suited for the high breakout loads required in grapple skidding.

Travel Speeds. Direct drive capability allows high travel speeds and minimal power train component wear.

Reduced Wheel Slip. Direct drive capability reduces wheel slip, which minimizes tire wear, component stress and fuel consumption.

Lock-Up Clutch. The integral lock-up clutch allows operation in converter drive or direct drive for high efficiency hauling, faster travel speeds, and reduced shock loads to the drive train.

- Auto Lock-up locks the converter clutch whenever the torque converter is in direct drive, maximizing travel speed and rimpull for fast, fuel-efficient hauling.

Five-Speed Transmission. The Caterpillar powershift countershaft transmission easily matches engine power to the load size and ground conditions. Gear 1 provides industry leading rimpull capability for heavy load applications, gears 2, 3 and 4 are for lighter loads and higher speed operations, while gear 5 provides excellent empty return speeds.

Differential Locks. Hydraulically engaged differential locks in both axles significantly expand the operating range of the 525B. They reduce tire slip during turns, improve flotation, and reduce tire wear. In addition, they enhance maneuverability by improving traction and allowing a tighter turning radius.

Performance - Hydraulics

State-of-the-art hydraulic system contributes to system efficiency and operational ease and productivity.



Load Sensing Hydraulics. A load sensing variable displacement pump and pressure compensating system continually monitor hydraulic power requirements, and provide hydraulic power based on demand.

Less Hydraulic Pump Demand. The hydraulic pump doesn't run continuously under load, but operates only when needed. This lowers horsepower consumption, maximizes power to the ground as well as loading and grapple forces. It also increases fuel efficiency, extends hydraulic component life, and reduces system heat.

Auto-Grab Feature. Auto-Grab constantly monitors tong pressure and adjusts as needed to securely hold grapple loads. Like the load sensing hydraulic system, Auto-Grab places demand on engine horsepower only when the system senses a shift in the load that requires a change in tong pressure. It is easily activated on demand by a switch located on the right-hand control lever. Tractor operation is easier, constant tong pressure is maintained, and operating costs are reduced through greater fuel efficiency and less time spent re-gripping slipped loads.

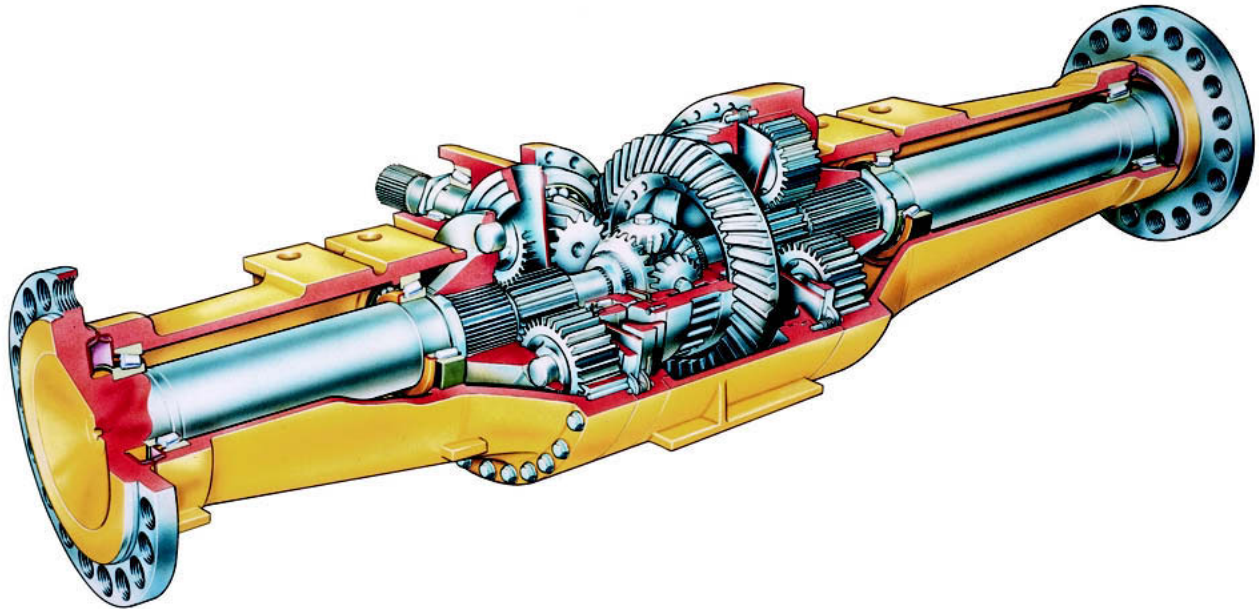
Winch. The 525B uses a high capacity winch with four-function control. This self-contained unit has a separate oil pump using winch sump oil for control, and to cool and lubricate the winch.

Cat Hoses. Caterpillar hose technology allows high pressures for maximum power and reduced downtime, and intelligent routing minimizes exposure to damage.

Steering. Fully hydraulic control. Meets the following standards: SAE J1511 OCT90, ISO 5010-1992.

Durability - Undercarriage

State-of-the-art engineering of rugged undercarriage components and systems for the 525B wheel skidder sets the industry standard for reliability and durability.



Cradled Front Axle. Exclusive to Caterpillar wheel skidders, the cradled front axle with a high pivot center acts as a working counterweight, and delivers enhanced performance and operator comfort. It provides excellent fore-aft stability for large grapples and the dual-function arch. Heavy-duty trunnion bearings assure durable, reliable operation. The 15 degree oscillation absorbs minor shock loads, isolating the cab from axle movement for a smoother ride.

Final Drives. Heavy-duty inboard final drives are protected from the harsh logging environment, and use splash oil lubrication and cooling. This configuration makes wheel and tire removal and installation easier.

Brake Components. Brake components are housed inside the axles, protecting them from dirt, dust and wet ground conditions. Inboard brakes allow for splash lubrication and cooling, are virtually maintenance free, and provide reliable brake performance in the most demanding logging applications.

Oil Sump. Full axle-length oil sump delivers excellent lubrication and heat rejection for long component life. All components housed in the axle are splash lubricated, and outboard bearings are maintenance free.

- Large oil capacity provides excellent heat rejection, ensuring proper lubrication.

Differential Locks. Differential locks provide added traction in poor ground conditions. On-the-go engagement / disengagement allows operator to maintain production without stopping.

Wheel Options. The 525B offers a choice of configurations allowing single or dual wheels. Dual or flotation tires (using 30.5 x 32 inner and 24.5 outer) increase flotation in wet, sloppy underfoot conditions, and improve stability on grades with large loads.

Durability - Structures

The 525B mainframe, hitch and decking blade are designed and built to surpass the expectations of the logging industry.

Box-Section Construction. The 525B frames use resilient box section construction that sets the industry standard for reliability and durability.

Front Frame. The front frame is designed with higher clearance to accommodate the front axle cradle mounts, and lower blade pivot mounting position.

Rear Frame. Tough rear frame provides the platform to support the grapple arch or cable arch configurations.

Ground Clearance. Maximized ground clearance improves maneuverability and avoids damage. Full belly guards protect all undercarriage components.

Decking Blade. Fabricated, box-section steel arms mount directly to the mainframe for superior strength.

Hitch. The bottom hitch is double-tapered for improved weight distribution, which reduces flexing stress and maintains tight joints.

Hitch Pins. The wide hitch pin spread reduces horizontal loads on hinge pins, and increases room for hydraulic hose routing.

Arches. The 525B single- and dual-function arches, and the cable arch are designed and tested to exceed durability requirements.



Grapples. Durable, high capacity sorting or bunching grapples are matched to machine size and horsepower for optimum performance.

Sorting Grapples. Sorting grapples are best for quickly selecting a few stems from a pile of logs.

Bunching Grapples. The strong bunching grapples offer large capacity for improved production in harvesting smaller trees and large loads.

Grapple Snubbers. Grapple snubber life has been improved, reducing grapple swing, hydraulic hose stresses and increasing component life.

Winch. The 525B winch attachment delivers the power and durability ideal for log truck towing, self-retrieval and log skidding.

ROPS / FOPS. Roll-Over Protection and Falling Object Protection guards offer protection to the operator and the machine.



Application Flexibility

The 525B Wheel Skidder can easily handle the variety of tasks for today's loggers.



Balance. Long front and rear frames and a low center of mass create excellent skidder balance. The powerful mechanically driven, heavy-duty winch provides outstanding grapple or cable skidder performance.

Torque Converter. The heavy duty lock-up torque converter offers two drive options: direct drive, the only option in many skidders, delivers excellent skidding power and speed; and torque converter drive, which provides torque multiplication and speed control, which reduces the need for frequent transmission gear changes.

Wheelbase. The 525B skidder has a wider, longer wheelbase to handle single- and dual-function arches and large capacity bunching grapples.

Tire Options. Expanded tire options allow the 525B to maintain outstanding skidding performance in a wide range of ground conditions.

Dual-Capable. The 525B is capable of using dual wheels with the installation of an optional dual axle. Duals increase flotation in poor underfoot conditions, and improve stability, especially when hauling large loads on a grade.

Arches and Blade. The 525B is available with a single- or dual-function arch, or the cable arch, and a decking blade to match the machine to the application.

Single Function Arch. Has less weight and fixed reach, making it ideal for fast skidding operations.

Dual-Function Arch. Offers variable reach and large grapple capacities, well suited for large bundles of small stems.

Cable Arch. Allows outstanding line skidding performance with a two position adjustable height fairlead to match site conditions.

Decking Blade. Efficiently clears landings and roads, and maintains stockpiles.

Operator Comfort

The 525B cab is designed for comfort and ease of operation, to maximize efficiency and productivity.

Comfortable Work Station. The 525B work station incorporates years of cab design innovations to maximize operator comfort and productivity.

Air Suspension Seat. Standard air suspension seat swivels 30 degrees to the right for maximum comfort.

Sealed Cab. Sealed and pressurized for efficient heating and cooling, and for keeping out dust, fumes and insects.

Air-Conditioning. Standard with enclosed cab attachment.

Windows. Large polycarbonate windows protect the operator and allow an excellent side and rear view. Sliding glass windows protected by metal screens in both doors provide fresh air and communication outside the machine.

Mounting. The modular ROPS/FOPS cab is resiliently mounted to the skidder frame to reduce vibration. The lowest entrance step has been lowered for easier cab access, and designed for greater durability.

Sound Insulation. Ample sound insulation reduces sound levels and boosts operator comfort.

Machine Controls. The comfortable 525B operator environment uses ergonomically designed and placed machine controls to reduce fatigue and increase productivity.

Steering Control. Tilts and telescopes, and incorporates controls for transmission direction and range selection for maximum convenience and productivity.

Transmission Controls. Transmission controls for forward, reverse and gear range are located on the steering wheel for easy fingertip control.



Single-lever Grapple Control. A single four-function lever controls all grapple and tong functions for simplified operation and reduced operator effort.

Decking Blade Control. Excellent modulation and precise control for various decking and clearing functions.

Auto-Grab Switch. System monitors and adjusts tong pressure as needed to maintain a secure grip on grapple loads.

Lock-up Torque Converter Drive. Selection switch and engagement indicator light helps match transmission speed range to skidding requirements.

Differential Lock Switch. Ergonomically located rocker switch allows quick engagement of differential locks when needed.

Analog Gauges. Four gauges indicate engine coolant temperature, hydraulic oil temperature, transmission oil temperature and fuel level.

Caterpillar Monitoring System. Monitors key fluid levels and temperatures, gear speed and direction, and vital electrical systems. A three-level warning system alerts the operator of potential problems.

Additional. Pre-wired for an entertainment radio: two speakers, antenna and standard built-in 24-to-12-volt converter. The machine is fitted with on-off key switch engine operation.

Serviceability

The most serviceable machines from the most committed dealers.



Built-in Servicing Ease. Caterpillar uses intelligent engineering to make regular maintenance procedures quick and simple. Easy access to daily service points increases the likelihood that maintenance will be done, extending machine service life and lowering overall operating costs. In addition, less service time means more working time and greater productivity.

Ground Level Access. Most filters and lube points are accessible from the ground. Remote lubrication points make daily attention to hard-to-reach joints easy.

Centrifugal Pre-Cleaner. Centrifugal pre-cleaner removes large debris before it reaches the internal air cleaner to provide significant engine protection.

S•O•SSM and Coolant Sampling Valves. Provide a fast, convenient means of obtaining uncontaminated fluid samples, which improves analysis reliability.

Radial Seal Air Filters. Hand access makes them easy to change, reducing air filter maintenance times.

Bolt-on Guards. Offer protection to critical components, but are easily removable for fast service access. Removable floor plates and side plate allow access to components under the cab.

Turbocharger Location. The relocated turbocharger provides easy access to the air cleaner and allows the cab compartment to be sealed from dust and debris.

Spin-on Oil Filters. Spin-on filters for fuel and oil systems reduce changing time, and help assure clean, tight seals.

Pressure Taps. Conveniently located for easy access to hydraulic system pressure measurements.

Ecology Drains. Located on the axle and transmission to make regular maintenance easier, and protect the environment from accidental oil spills.

Electrical System. 24-volt electrical system delivers increased electrical power for engine cranking, lights, and engine diagnostics. Wiring circuits are color coded, numbered and protected by circuit breakers.

On-Board Diagnostic Systems. The Caterpillar Monitoring System continuously checks all critical machine functions and components, and helps locate faults quickly for faster repair.

Customer Support

Cat dealer services help you operate longer with lower costs.



Product Support. You will find nearly all parts at our dealer parts counter. Cat dealers use a world-wide computer network to find in-stock parts to minimize machine down time. Save money with genuine Cat Reman parts. You receive the same warranty and reliability as new products at cost savings of 40 to 70 percent.

Machine Selection. Make detailed comparisons of the machines under consideration before purchase. Cat dealers can estimate component life, preventive maintenance cost, and the true cost of lost production.

Purchase. Look past initial price. Consider the financing options available as well as day-to-day operating costs. Look at dealer services that can be included in the cost of the machine to yield lower equipment owning and operating costs over the long run.

Customer Support Agreements. Cat dealers offer a variety of product support agreements, and work with customers to develop a plan that best meets specific needs. These plans can cover the entire machine, including attachments, to help protect the customer's investment.

Operation. Improving operating techniques can boost your profits. Your Cat dealer has training videotapes, literature and other ideas to help you increase productivity.

Maintenance Services. Choose from your dealer's range of maintenance services when you purchase your machine. Repair option programs guarantee the cost of repairs up front. Diagnostic programs such as S•O•SSM and Coolant Sampling and Technical analysis help you avoid unscheduled repairs.

Replacement. Repair, rebuild or replace? Your Cat dealer can help you evaluate the cost involved so you can make the right choice.

Engine

Engine Model	Cat 3126 DITA diesel	
Gross Power	134 kW	180 hp
Torque Rise	50%	
Max Torque @ Rated Speed	779.1 @ 1400 Nm	
Number of Cylinders	6	
Net Flywheel Power	119 kW	160 hp
Net Power - ISO 9249	119 kW	160 hp
Net Power - SAE J1349	119 kW	160 hp
Net Power - EEC 80/1269	119 kW	160 hp
Governed Speed at Rated Power	2,200 RPM	
Displacement	7.24 L	441.78 in ³
Bore	110 mm	4.33 in
Stroke	127 mm	5 in
Derating Altitude	3250 m	10,663 ft
Air Cleaner	dry centrifugal precleaner	
Alternator	75 Amp	
Fan Speed	1,909 RPM	
Fan Type	blower	
Electrical System	24 V	
Battery - Quantity	2	
Battery - Volts	12 V	
Battery - Capacity	950 CCA	
Starting System	direct electric	

- Net power advertised is the power available at the flywheel when the engine is equipped with fan, air cleaner, muffler and alternator. No derating required up to 3250 m (10,663 ft) altitude.
- Based on standard air conditions of 25°C (77°F) and 99 kPa (29.32" Hg) dry barometer. Used 35° API gravity fuel having an LHV of 42,780 kJ/kg (18,390 BTU/lb) when used at 30°C (86°F) [ref. a fuel density of 838.9 g/L (7.001lb/gal)].
- The Caterpillar 3126DITA meets the current European and North American emission regulations (ISO 8178).

Power Train

Travel Speed - Fwd. 1st	6.36 kph	3.95 mph
Travel Speed - Fwd. 2nd	8.94 kph	5.55 mph
Travel Speed - Fwd. 3rd	10.87 kph	6.75 mph
Travel Speed - Fwd. 4th	15.28 kph	9.49 mph
Travel Speed - Forward 5th	27.53 kph	17.1 mph
Travel Speed - Rev. 1st	6.18 kph	3.84 mph
Travel Speed - Rev. 2nd	10.46 kph	6.5 mph
Travel Speed - Rev. 3rd	18.6 kph	11.55 mph
Max Drawbar Pull	172 kN	38,730 lb
Torque Converter - Model	3308 Lock-up	
Torque Converter - Type	snlgl stg, rotating housing	
Transmission	Countershaft 5fwd/3rev	
Steering	hydraulic control	
Brakes - Service Type	hydraulic, wet disc	
Brakes - Parking Type	drum	
Transmission Cooler Location	Lower tank radiator	
Transmission Cooler Type	Plate	

Hydraulic System

Circuit Type	closed cntr, load sensing	
Pump Type	axial piston	
Pump Output @ 2200 RPM	190 L/min	50 gal/min
Reservoir Tank Capacity	62.5 L	16.5 Gal
Relief Valve Setting	21 000 kPa	3,045 PSI
Steering Valve	direct link, non-follow	
Steering Cylinder - Bore	76.2 mm	2.97 in
Steering Cylinder - Stroke	436.4 mm	17.02 in
Steering Cylinder - Rod Diameter	44.45 mm	1.73 in
Steering Relief Valve Settings	21 000 kPa	3,045 PSI
Dozer Valve	direct linkage control	
Dozer Cylinder - Bore	101.6 mm	3.95 in
Dozer Cylinder - Stroke	470 mm	18.33 in
Dozer Cylinder - Rod Diameter	57.1 mm	2.23 in
Grapple Valve	3or4 stack, pilot control	
Grapple System Relief Valve Settings	21 000 kPa	3,045 psi

Grapple

Bunching Capacity	1.16 m ²	12.5 ft ²
Sorting Capacity	0.836 m ²	9 ft ²
Bunching - Full Open Height	1874.5 mm	73.8 in
Bunching - Fully Closed Height	1532 mm	60.32 in
Bunching - Minimum Stem Diameter	134.6 mm	5.3 in
Bunching - Reach @ Full Open	711.2 mm	28 in
Bunching - Tip to Tip Height	2263 mm	89.1 in
Bunching - Tong Opening	3048 mm	120 in
Sorting - Full Open Height	1562.1 mm	61.5 in
Sorting - Fully Closed Height	1829 mm	72 in
Sorting - Minimum Stem Diameter	76.2 mm	3 in
Sorting - Tip to Tip Height	2197.1 mm	86.5 in
Sorting - Tong Opening	2540 mm	100 in

Arch

Arch Types	single/dual/cable	
Dual Function - Reach Max	2801.6 mm	110.3 in
Dual Function - Lift Max Reach	1150.6 mm	45.3 in
Dual Function - Lift Highest, Farthest	1828.9 mm	72 in
Dual Function - Lift Highest, Retracted	2694.9 mm	106.1 in
Dual Function - Lift Lowest, Farthest	2725.4 mm	107.3 in
Dual Function - Lift Lowest, Retracted	1125.2 mm	44.3 in
Dual Function - Reach Highest, Farthest	2654.3 mm	104.5 in
Dual Function - Reach Highest, Retracted	1242.1 mm	48.9 in
Dual Function - Reach Lowest, Farthest	2725.4 mm	107.3 in
Dual Function - Reach Lowest, Retracted	1491 mm	58.7 in
Single Function - Reach Max	2517 mm	99.1 in
Single Function - Lift Highest	2169 mm	85.4 in
Single Function - Reach Minimum	1666 mm	65.6 in
Single Function - Lift Lowest	343 mm	13.5 in

Winch

Line Pull - Std Drum	175 kN	39,300 lb
Line Speed	103.6 m/min	340 ft/min
Drum Capacity 19.0mm (3/4in)	45 m	148 ft
Drum Capacity 22.2mm (7/8in)	32 m	106 ft
Drum capacity 25.4mm (1in)	25 m	82 ft
Drum Diameter	254 mm	10 in
Drum Width	171.5 mm	6.69 in

Service Refill

Fuel Tank	315 L	83.2 Gal
Cooling System	50 L	13.2 Gal
Differential & Final Drives - Front	52 L	13.73 Gal
Differential & Final Drives - Rear	52 L	13.73 Gal
Engine Oil	27 L	7.13 Gal
Transmission & Torque Converter	54 L	14.26 Gal
Mechanical Winch	24.5 L	6.47 Gal
Hydraulic System - Tank	62.5 L	16.5 Gal
Hydraulic System - Total	123 L	32.47 Gal

Dimensions

Wheelbase	3533 mm	139.1 in
Length	6195.4 mm	241.62 in
Width	3385 mm	133.3 in
Height	3233.5 mm	126.11 in
Ground Clearance	581.7 mm	22.9 in

Weights

Est Operating Weight	16 238 kg	35,800 lb
Arch - Dual Function	1119 kg	2,466 lb
Arch - Cable Skidding	769 kg	1,696 lb
Decking Blade	796 kg	1,755 lb
Dozer, Extended Width	1015 kg	2,238 lb
Enclosed Cab	63 kg	138 lb
Enclosed ROPS + AC	1205 kg	2,657 lb
Frame - Cable Fenders	1320 kg	2,911 lb
Frame - No Fenders	1018 kg	2,245 lb
Grapple - Bunching 1.04 m ² / 11.2 ft ²	814 kg	1,795 lb
Grapple - Bunching 1.16 m ² / 12.5 ft ²	1045 kg	2,302 lb
Grapple - Sorting .84 m ² / 9.0 ft ²	807 kg	1,780 lb
Instrument Panel Guard	1 kg	2 lb
Lights - 4 Standard	67 kg	148 lb
Lights - 8 Optional	163 kg	359 lb
Open ROPS	1073 kg	2,366 lb
Operating Weight - Cable	769 kg	1,695 lb
Starting Aid, Ether	5 kg	11 lb
Tires - 24.5 x 32, 16 PR	322 kg	710 lb
Tires - 30.5L x 32, 16 PR	2353 kg	5,188 lb
Tires - 35.5L x 32, 16 PR	2960 kg	6,512 lb
Winch	785 kg	1,731 lb

- Operating weight includes enclosed cab, 30.5 tires, blade, dual-function arch, 1.16 m²/12.5 ft² bunching grapple, standard lights, full fuel tank.

Standards

Cab

- Enclosed cab with or without screens and open canopy with screens meet operator protective structure criteria for forestry equipment SAE J1084 APR80
- When properly installed and maintained, the enclosed cab offered by Caterpillar when tested with doors and windows closed according to ANSI/SAE J1166 MAY90, meets OSHA and MSHA requirements for operator sound exposure limits in effect at the time of manufacture.

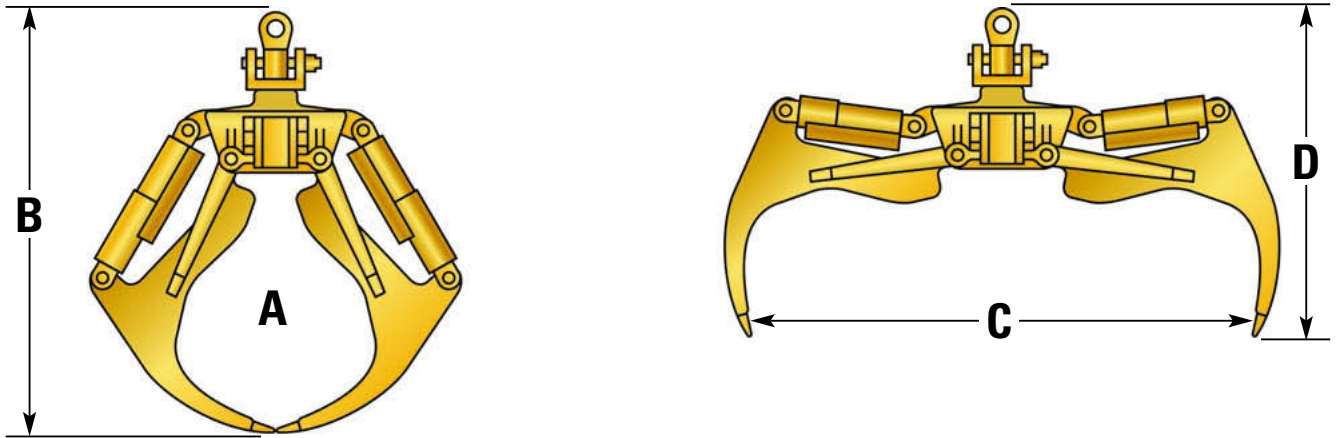
ROPS

- ROPS (Rollover Protective Structure) offered by Caterpillar for the machine meets ROPS criteria SAE J1040 APR88 and ISO 3471-1994. FOPS (Falling Object Protective Structure) meets FOPS criteria SAE J231 JAN81 and ISO 3449-1984.

Brakes

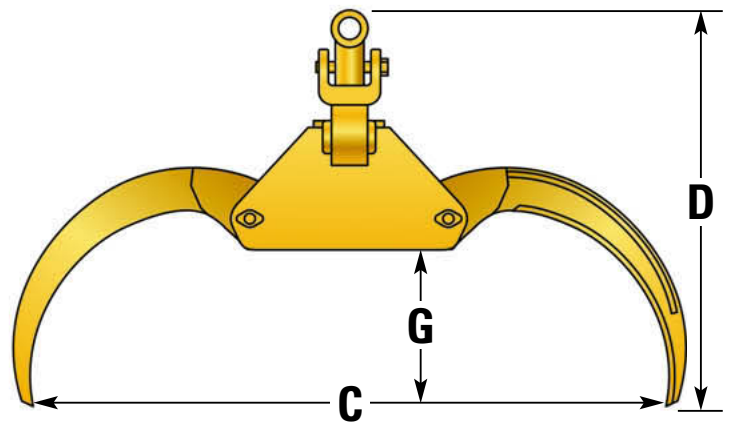
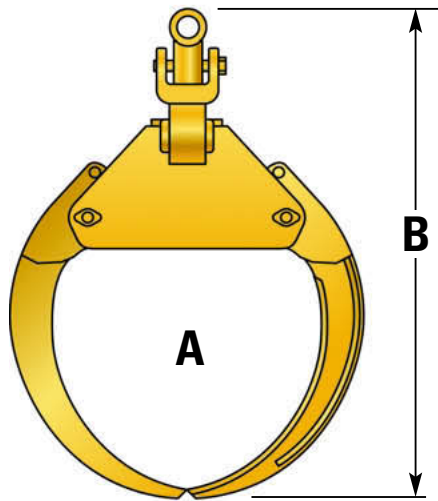
- Brakes meet the following standards: OSHA, SAE J1473 OCT90, ISO 3450-1985

525B Grapples

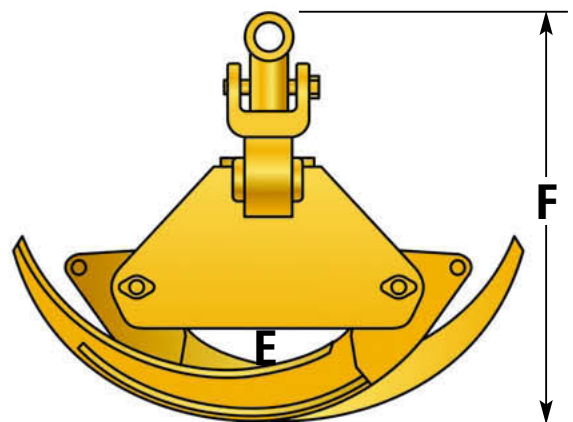


Sorting Grapple

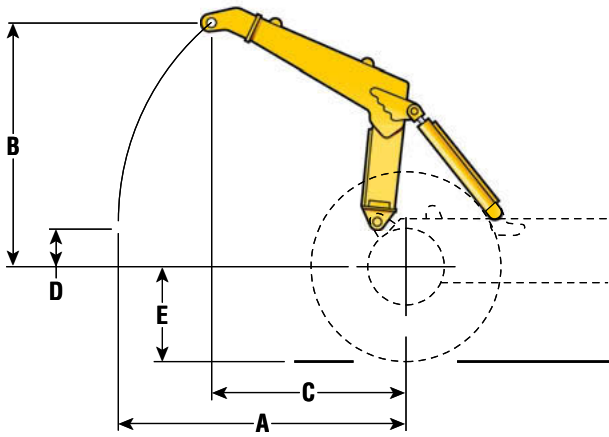
Dimension	Sorting	Bunching	Bunching
A Grapple capacity	0.83 m ² (9.0 ft ²)	1.04 m ² (11.2 ft ²)	1.16 m ² (12.5 ft ²)
B Tip to tip height	2197.1 mm (86.5 in)	2225 mm (87.6 in)	2263 mm (89.1 in)
C Tong opening	2540 mm (100 in)	2794 mm (110 in)	3048 mm (120 in)
D Full open height	1562 mm (61.5 in)	1979 mm (77.9 in)	1874.5 mm (73.8 in)
E Minimum stem diameter	76.2 mm (3 in)	134.6 mm (5.3 in)	134.6 mm (5.3 in)
F Fully closed height	1829 mm (72 in)	1516 mm (59.7 in)	1532 mm (60.3 in)
G Reach @ full tong opening	—	792.5 mm (31.2 in)	711.2 mm (28.0 in)



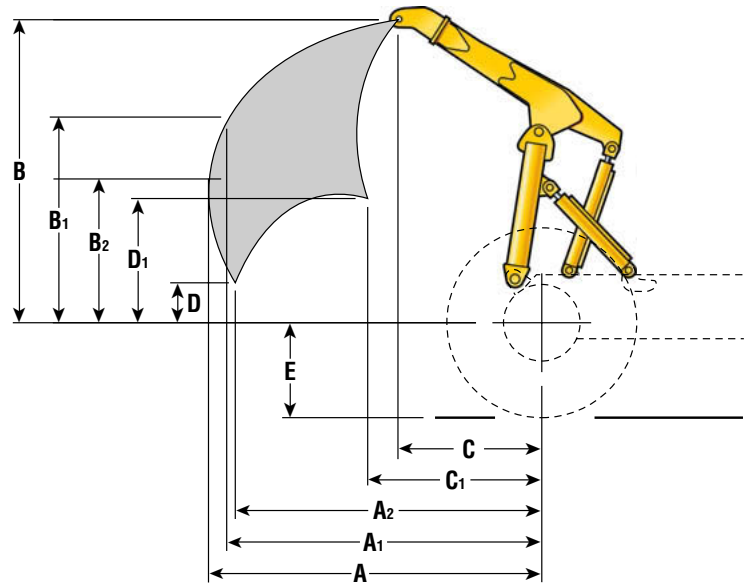
Bunching Grapple



Arch Configurations



Single Function



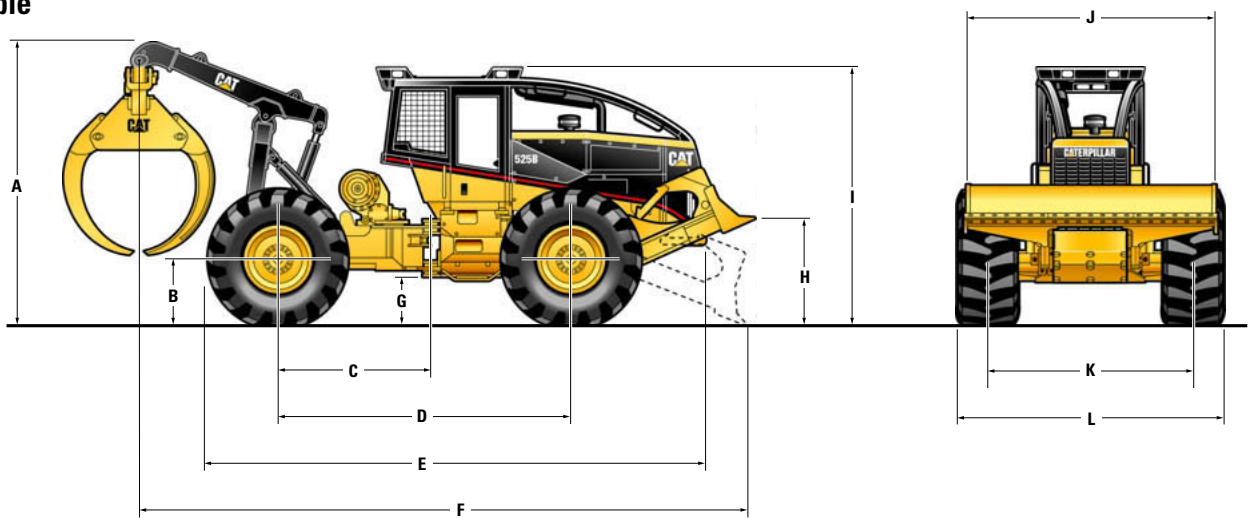
Dual Function

Dimension	Single Function	Dual Function
A Reach maximum	2517 mm (99.1 in)	2801.6 mm (110.3 in)
A1 Reach, highest farthest	—	2654.3 mm (104.5 in)
A2 Reach, lowest farthest	—	2725.4 mm (107.3 in)
B Lift maximum	2169 mm (85.4 in)	2694.9 mm (106.1 in)
B1 Lift, highest farthest	—	1828.9 mm (72.0 in)
B2 Lift at maximum reach	—	1125.2 mm (44.3 in)
C Reach minimum	1666 mm (65.6 in)	1150.6 mm (45.3 in)
C1 Reach, nearest lowest	—	1491 mm (58.7 in)
D Lift minimum	343 mm (13.5 in)	2725.4 mm (107.3 in)
D1 Lift, lowest nearest	—	1125.2 mm (44.3 in)
E Loaded tire radius	724 mm (28.4 in)	724 mm (28.4 in)

Dimensions

All dimensions are approximate.

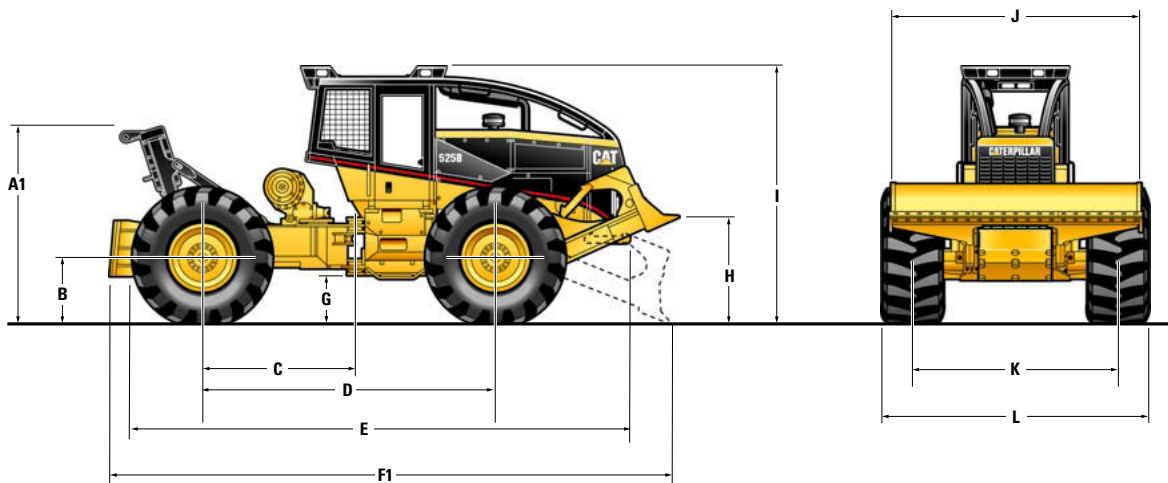
Grapple



Dimension	525B
A Ground level to center line of top roller (grapple)*	
dual function	3419 mm (134.6 in)
single function	2893 mm (113.9 in)
A1 Ground level to center line of top roller (cable)*	2694 mm (106.1 in)
B Ground level to axle center line*	724 mm (28.5 in)
C Rear axle center line to pin	1798 mm (70.8 in)
D Wheel base	3533 mm (139.1 in)
E Length without dozer or arch	6195 mm (243.9 in)
F Overall length (grapple)	
dual function	6487 mm (255.4 in)
single function	6911 mm (272.1 in)
F1 Overall length (cable)	6495 mm (273.4 in)
G Ground clearance*	463 mm (18.2 in)
H Decking blade lift height*	1226 mm (48.3 in)
I Height to top of cab*	3233 mm (127.3 in)
J Decking blade width	2678 mm (105.4 in)
K Tread width	2260 mm (88.0 in)
L Overall width	3385 mm (133.3 in)

*With 30.5 x 32 tires

Cable



Standard Equipment

Standard and optional equipment may vary. Consult your Caterpillar dealer for specifics.

Electrical

- 24-volt system
- 75 Amp alternator
- 2) 12-volt maintenance free, high CCA batteries
- alarm, back-up
- warning horn
- sealed electrical connectors
- color coded and numbered wires

Guards

- engine enclosures
- ground access for daily service
- engine fan guard
- hinged radiator grill
- integral underguards
- front brush sweeps

Operator Environment

- air suspension seat
 - 30 degree swivel
 - 3 position locking
 - retractable seat belt
- two pedal operation
- rearview mirrors
- tilt and telescoping steering wheel
- cup holder
- computer diagnostics and monitoring with three level information system
- controls and gauge package
 - electronic transmission control on steering wheel
 - locking differential selector and indicator light
 - lock-up torque converter selector and indicator light

Power Train

- Cat 3126 turbocharged and aftercooled engine
- electric pre-heat for cold starting
- multi-stage, dry centrifugal precleaner
- two-stage radial seal filter air cleaner
- radiator
- blower radiator fan
- coolant- 50% extended life antifreeze
 - 50% anti-boil protection
- lock-up torque converter
- five speed forward countershaft transmission
- brakes: service, secondary, parking
- four-wheel enclosed wet disc hydraulic service brakes
- inboard planetary final drives
- front and rear differential locks, with isolated control system
- high capacity fuel tank
- lubed for life driveline slipjoint and universal joints
- variable flow-modulated 1/4 turn steering
- muffler

Hydraulics

- closed center-load sensing system
- variable displacement piston pump
- full flow return line filter

Other Standard Equipment

- ecology drains on axles and engine
- vandalism protection
- cap locks - fuel tank, hydraulic tank, oil dipstick, oil filler

Optional Equipment

Standard and optional equipment may vary. Consult your Caterpillar dealer for specifics.

Alternator - 100 Amp

Arch

- dual function

- single function

- cable skidding

Cold weather starting aid package

Decking blade

- narrow

- wide with bolt on edge

Enclosed cab window screens

Frame

- no fenders

- grapple fenders

- cable fenders

Winch arrangement

Grapple -

- 11.2 ft²/1.04 m² bunching

- 12.5 ft²/1.16 m² bunching

- 9.0 ft²/.83 m² sorting

Lights

- four standard

- eight optional (twelve total)

Axle for wide tires

Operator environment

- open ROPS

- enclosed ROPS + AC

Tires

- 24.5 x 32, 16 PR

- 30.5L x 32, 16 PR

- 35.5L x 32, 16 PR

525B Skidder

AEHQ5391 (8-00)

(Replaces AEHQ5056)

www.CAT.com

© 2000 Caterpillar
Printed in U.S.A.

Materials and specifications are subject to change without notice.
Featured machines in photos may include additional equipment.
See your Caterpillar dealer for available options.

CATERPILLAR[®]