



City of Tacoma, WA

**TACOMA POWER**

**REQUEST FOR BIDS**

**CONTRACT FOR SPIDER SYSTEM FOR  
DISTRIBUTION**

**SPECIFICATION NO. PT20-0026N**



City of Tacoma  
Tacoma Power/ T&D

REQUEST FOR BIDS PT20-0026N  
Spider System for Distribution

**Submittal Deadline:** 11:00 a.m., Pacific Time, Monday, February 10, 2020

**Submittal Delivery:** Submittals will be received as follows:

|   |   |
|---|---|
| <p><b>By Carrier:</b><br/>City of Tacoma Procurement &amp; Payables Division<br/>Tacoma Public Utilities<br/>3628 S 35<sup>th</sup> Street<br/>Tacoma, WA 98409</p> | <p><b>In Person:</b><br/>City of Tacoma Procurement &amp; Payables Division<br/>Tacoma Public Utilities Lobby Security Desk<br/>Administration Building North – Main Floor<br/>3628 S 35<sup>th</sup> Street<br/>Tacoma, WA 98409</p> |
| <p><b>By Mail:</b><br/>City of Tacoma Procurement &amp; Payables Division<br/>Tacoma Public Utilities<br/>PO Box 11007<br/>Tacoma, WA 98411-0007</p>                | <p><b>By Email:</b><br/><br/>sendbid@cityoftacoma.org</p>   |

**Submittal Opening:** Submittals in response to a RFB will be opened by a Purchasing representative. After 1:00 p.m. the day of bid opening, the names of vendors submitting proposals are posted to the website for public viewing.

**Solicitation Documents:** An electronic copy of the complete solicitation documents may be viewed and obtained by accessing the City of Tacoma Purchasing website at [www.TacomaPurchasing.org](http://www.TacomaPurchasing.org).

- [Register for the Bid Holders List](#) to receive notices of addenda, questions and answers and related updates.
- Click here to see a [list of vendors registered for this solicitation](#).

**Pre-Proposal Meeting:** A pre-proposal meeting will not be held.

**Project Scope:** Spider system for pulling distribution lines. Please see bid documents for specifications of items to be quoted. **\*\*NO SUBSTITUTIONS\*\***

**Estimate:** \$65,000

**Paid Leave and Minimum Wage:** Effective February 1, 2016, the City of Tacoma requires all employers to provide paid leave and minimum wages, as set forth in Title 18 of the Tacoma Municipal Code. For more information visit [www.cityoftacoma.org/employmentstandards](http://www.cityoftacoma.org/employmentstandards).

**Americans with Disabilities Act (ADA Information):** The City of Tacoma, in accordance with Section 504 of the Rehabilitation Act (Section 504) and the Americans with Disabilities Act (ADA), commits to nondiscrimination on the basis of disability, in all of its programs and activities. Specification materials can be made available in an alternate format by emailing Gail Himes at [ghimes@cityoftacoma.org](mailto:ghimes@cityoftacoma.org), or by calling her collect at 253-591-5785.

**The following is applicable to Federal Aid Projects:**

The City of Tacoma in accordance with Title VI of the Civil Rights Act of 1964, 78 Stat. 252, 42 U.S.C. 2000d to 2000d-4 and Title 49, Code of Federal Regulations, Department of Transportation, subtitle A, Office of the Secretary, part 21, nondiscrimination in federally assisted programs of the Department of Transportation issued pursuant to such Act, hereby notifies all bidders that it will affirmatively ensure that in any contract entered into pursuant to this advertisement, disadvantaged business enterprises as defined at 49 CFR, part 26, will be afforded full opportunity to submit bids in response to this invitation and will not be discriminated against on the grounds of race, color, national origin, or sex in consideration for an award.

**Additional Information:** Requests for information regarding the specifications may be obtained by contacting [Choose an item.](#) by email to [Choose an item.](#)

**Protest Policy:** City of Tacoma protest policy, located at [www.tacomapurchasing.org](http://www.tacomapurchasing.org), specifies procedures for protests submitted prior to and after submittal deadline.



**Meeting sites are accessible to persons with disabilities. Reasonable accommodations for persons with disabilities can be arranged with 48 hours advance notice by calling 253-502-8468.**

**BIDDER'S CHECK LIST**

This checklist identifies the documents to be submitted. Bids received without this information may be considered non-responsive and may not be considered for award.

The following information is to be included in your proposal:

|                                 |  |
|---------------------------------|--|
| Bid Proposal Sheet              |  |
| Signature Page                  |  |
| Prime Contractors Pre-Work Form |  |
| Sustainability Information      |  |

**SIGNATURE PAGE**

**CITY OF TACOMA  
POWER/T&D**

All submittals must be in ink or typewritten and must be executed by a duly authorized officer or representative of the bidding/proposing entity. If the bidder/proposer is a subsidiary or doing business on behalf of another entity, so state, and provide the firm name under which business is hereby transacted.

Submittals will be received and time stamped only at the City of Tacoma Procurement & Payables Division, located in the Tacoma Public Utilities Administration Building North, 4<sup>th</sup> Floor, at 3628 South 35<sup>th</sup> Street, Tacoma, WA 98409. **See the Request for Bids page near the beginning of the specification for additional details.**

**REQUEST FOR BIDS SPECIFICATION NO. PT20-0026N  
Spider System for Distribution Lines**

The undersigned bidder/proposer hereby agrees to execute the proposed contract and furnish all materials, labor, tools, equipment and all other facilities and services in accordance with these specifications.

The bidder/proposer agrees, by submitting a bid/proposal under these specifications, that in the event any litigation should arise concerning the submission of bids/proposals or the award of contract under this specification, Request for Bids, Request for Proposals or Request for Qualifications, the venue of such action or litigation shall be in the Superior Court of the State of Washington, in and for the County of Pierce.

**Non-Collusion Declaration**

*The undersigned bidder/proposer hereby certifies under penalty of perjury that this bid/proposal is genuine and not a sham or collusive bid/proposal, or made in the interests or on behalf of any person or entity not herein named; and that said bidder/proposer has not directly or indirectly induced or solicited any contractor or supplier on the above work to put in a sham bid/proposal or any person or entity to refrain from submitting a bid/proposal; and that said bidder/proposer has not, in any manner, sought by collusion to secure to itself an advantage over any other contractor(s) or person(s).*

\_\_\_\_\_  
Bidder/Proposer's Registered Name

\_\_\_\_\_  
Signature of Person Authorized to Enter Date  
into Contracts for Bidder/Proposer

\_\_\_\_\_  
Address

\_\_\_\_\_  
Printed Name and Title

\_\_\_\_\_  
City, State, Zip

\_\_\_\_\_  
(Area Code) Telephone Number / Fax Number

\_\_\_\_\_  
E-Mail Address

\_\_\_\_\_  
State Business License Number  
in WA, also known as UBI (Unified Business Identifier) Number

\_\_\_\_\_  
E.I.No. / Federal Social Security Number Used on Quarterly  
Federal Tax Return, U.S. Treasury Dept. Form 941

\_\_\_\_\_  
State Contractor's License Number  
(See Ch. 18.27, R.C.W.)

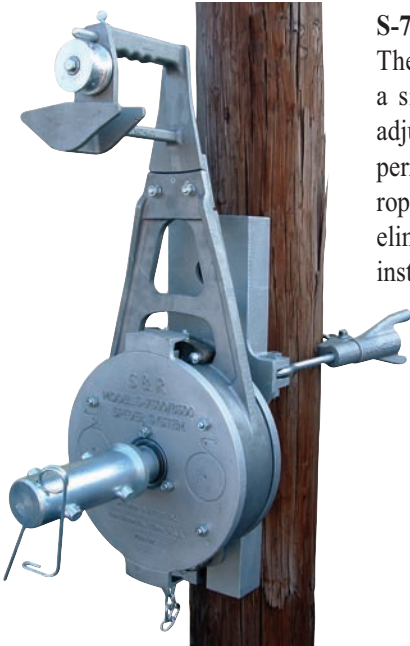
Addendum acknowledgement #1\_\_\_\_\_ #2\_\_\_\_\_ #3\_\_\_\_\_ #4\_\_\_\_\_ #5\_\_\_\_\_

***THIS PAGE MUST BE SIGNED AND RETURNED WITH SUBMITTAL.***

**Spider® Pilot Line System****S-7500  
Series****The Spider® System S-7500 Series**

The conventional method of installing a pulling line requires hanging “finger lines” at each pole. This involves much tying and untying while the pulling line is “walked” through. Not only is extra labor involved, but the finger lines are left dangling and subject to overnight vandalism. The Spider® System eliminates finger lines, vandalism, and extra climbs! It consists of a positive braking controller and a storage reel of rope that mount on the lead pole at any desired height. Once the controllers and storage reels are mounted on the lead pole, the lineman takes the pilot lines up with him and lays them in the stringing blocks as he frames the pole. After these lines are pulled out, they can be tied off under tension and left until time for stringing the conductor. When the pulling line is ready to be installed, the same storage reel can be mounted on either a pole-mounted winch or on a line truck winch. Adapters are available for this purpose. This allows the storage reel to rewind the pilot line, thus “hauling in” the pulling line under tension. The Spider® System can be adapted for use with the Puller-Tensioners.

## Spider® Pilot Line System



### S-75-C Controller

The controller can be mounted on wood poles with a simple lag screw or on non-wood poles with the adjustable chain tightener. The brake on the controller permits the storage reel to pay out the pilot line when the rope is pulled and engages when the rope is slack. This eliminates “backwinding” and holds tension during the installation of the pilot line.

### S-75-SR Storage Reel

**SPECIAL NOTE:** Spider® Storage Reels are designed for 3,000 feet maximum of 5/16” Spiderflex rope ONLY. The maximum line tension is not to exceed 500 pounds based on recommended work load of the Spiderflex Rope. Rope for the Spider® System is available in 5/16” dia. polyester over polyolefin Spiderflex Rope. Available in four colors: Black, Blue, Green, or Red.



### Spiderflex Rope

Spiderflex Rope is a 12-strand single braid rope constructed of high tenacity polyester wrapped in polyolefin yarns. This rope produces a firm line with good strength to weight ratio. Torque-free, Spiderflex Rope does not rotate under load, splices easily, stays flexible, has good handling properties, and does not kink or hockle. **ONLY 5/16”** is recommended for use with S-7500 or S-8500 Spider® Systems. Spiderflex Rope is available in Red, Green, Blue, and Black

| Size Dia. | Approximate Avg. Tensile (lbs.) | Approximate Weight per 100 ft. (lbs.) | Standard Spiderflex Rope  |
|-----------|---------------------------------|---------------------------------------|---|
| 5/16”     | 3,000                           | 2.5                                   | Size..... 5/16”<br>Material..... Polyester over polyolefin  |
| 3/8”      | 4,000                           | 3.5                                   | Construction..... Single braid, 12 strand   |
| 7/16”     | 5,400                           | 5.0                                   | Pounds/100 ft..... 2.5 lbs.   |
| 1/2”      | 6,800                           | 6.3                                   | Breaking strength..... 3,000 lbs.   |
| 5/8”      | 11,600                          | 11.0                                  | Coating..... Polyurethane   |
| 3/4”      | 14,800                          | 15.5                                  | Characteristics..... Low stretch, torque-free with excellent abrasion and ultra-violet (uv) resistance. Easy to splice. |

*Special Note: Maximum work load based on a 5 to 1 factor.*

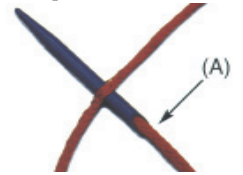
## Brummell Splice

### Step 1



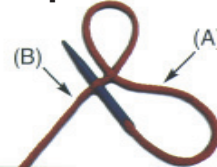
Insert fid at a 90 degree right angle through the rope at the point where the eye is desired.

### Step 2



Tape the end of (A) tightly with one layer of tape, insert the end of (A) in fid, push the fid and end of line (A) through the rope.

### Step 3



Pull on (A) to make the eye the required size. Insert the fid in (A) close to the point where (A) went through (B). Tape the end of (B) tightly and push (B) through the line.

### Step 4



Pull the splice up tight. Because of this interlock, the splice will not slip.

### Step 5



Repeat steps 3 and 4 until six loops are made in the rope.

\* Dimensions, weights, capacities are approximate. Manufacturer's specifications subject to change without notice.

## Spider® Pilot Line System

### The Spider® System S-8500 Series

The S-8500 Series Spider® System is now available. This series offers all the exclusive features of the S-7500 Spider® except the drum holds 6,000 feet of rope (twice the length of the conventional Spider®). Features include:

- S-85-SR Storage Reel holds 6,000 ft. of 5/16" Spiderflex rope.
- S-85-C Controller accommodates either S-85 or S-75 Storage Reels.
- S-85-SR Storage Reel will not fit existing conventional S-75-C Controller, however, existing S-75-C Controllers can be factory-modified to accept either reel. S&R controllers require no adjustments for braking during operation.
- S-75-WA Winch Adapter fits either S-85 or S-75 Storage Reel.
- Both series are stocked for immediate shipment.

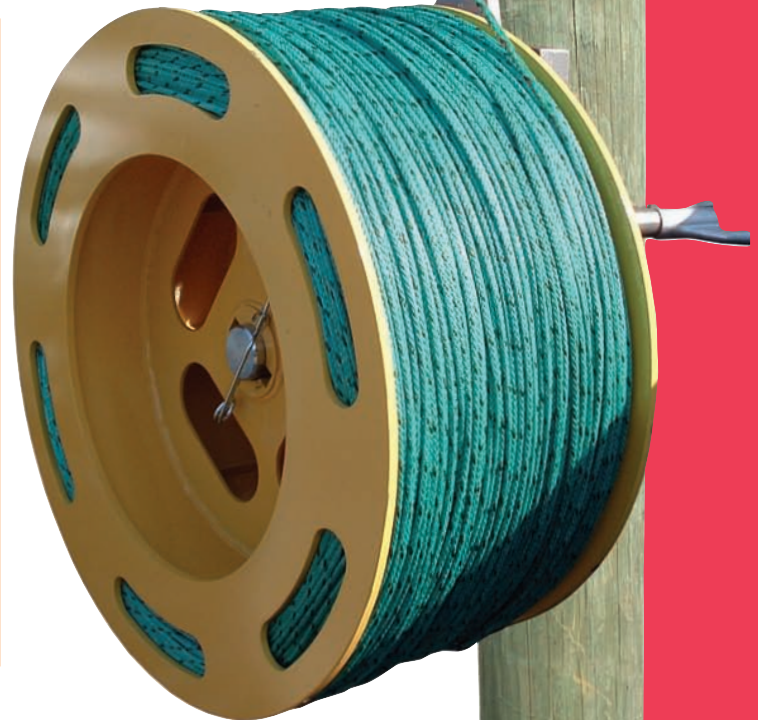
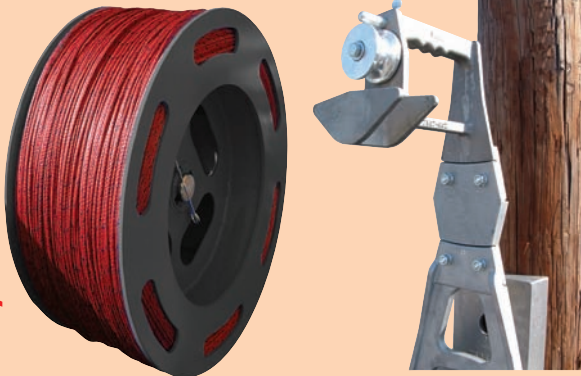
If you have construction requirements for pulls requiring 6,000 feet of rope, the S-8500 Series Spider® System is ideal. However, two S-7500-SR Storage Reels (each with 3,000 feet of rope) can be used for pulls requiring 6,000 feet of rope also. This is done simply by connecting two smaller reels together.

# S-8500 Series

### NEW S-80-SR Storage Reel

The NEW S-80-SR Storage Reel is new 4,500 ft. Spider® reel. The NEW 4,500 ft. reel will be compatible with the S-7500 and S-8500 series controllers. When used with the S-7500 series controller, the extension casting will need to be added to extend the handle assembly. The S-80-SR is fabricated from steel and has the same working load of 500 lb. maximum line tension.

4,500 ft.



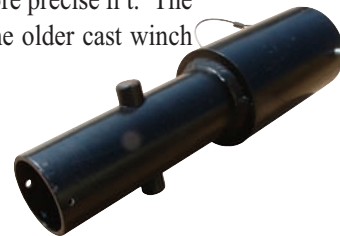
### S-75-WA Spider® Winch Shaft Adapter

The S-75-WA winch shaft adapter can be used with a line truck winch and an S-7500 or S-8500 Spider® reel to take up Spider® rope instead of using a puller outfit with a hydraulic Spider® rewind. The new S-75-WA is manufactured out of steel and is CNC precision machined for a more precise fit. The newer version has less "slop and lobe" when pulling in the Spiderflex rope than the older cast winch shaft adapter. Call today for a new and improved S-75-WA winch shaft adapter.



### S-75-PT Shaft Adapter

The S-75-PT shaft adapter can be used with a PT-2766 Classic, PT-2766-B or a PT-3366 and an S-7500 or S-8500 Spider® reel to take up Spider® rope.





## Spider® Pilot Line System

### Spider® System Parts & Remanufacture

#### Spider® System Parts

All parts are interchangeable with all existing S-7500 and S-8500 Spiders® regardless of whether they were manufactured. We have an operator's and parts manual available for your Spider® System. We stock all parts and can ship overnight if needed.

#### Spider® System Remanufacture

We can remanufacture your S-7500 or S-8500 Spider® System at a fraction of the cost of new units. We will completely disassemble your Spiders® and replace all worn out parts and return to you in "like-new condition" with a factory warranty. Again, we will remanufacture any S-7500 or S-8500 unit. We make it Easy!



#### SST-7585 Spider® Tree

The SST-7585 Spider® Storage Tree is an ideal companion for either the S-7500 or S-8500 Spider® Systems. It can store up to four controllers with reels (and rope) and one adapter. Easy to locate in the warehouse and immediately ready to go to the job site. Accommodates either the S-7500 or the S-8500 series complete. The lifting eye allows Storage Tree to be picked up and carried by fork lift and loaded on line truck with boom. The Spider® Tree eliminates handling of individual reels and controllers and reduces breakage. Available with or without vinyl cover.



#### Kellems Grip for Spiders®

Typically, most customers who receive new Spider® Reels with 5/16" Spiderflex rope will splice a very simple eye in the end of the rope to serve as a connection point. When the installation is finished, the end of the rope (with the simple eye) is attached to the larger 5/8" rope on the pulling machine. The method of connection is with a standard pulling swivel. One end of the swivel is attached to the Dua-pull grip on the 5/8" pulling rope and the other end directly to the eye splice in the 5/16" Spiderflex rope.

**The attachment of the 5/16" Spiderflex rope directly to the swivel presents a problem:** The Spider® rope will get excessive wear from being attached to the swivel pin, as well as rubbing on the edges of the slot in the ends of the swivel, and eventually fail if not inspected regularly!

**To solve the problem:** Install a Dua-pull grip on the 5/16" rope with two Punch-Lok clamps securely holding the tail. This step will dramatically reduce the potential hazardous condition.

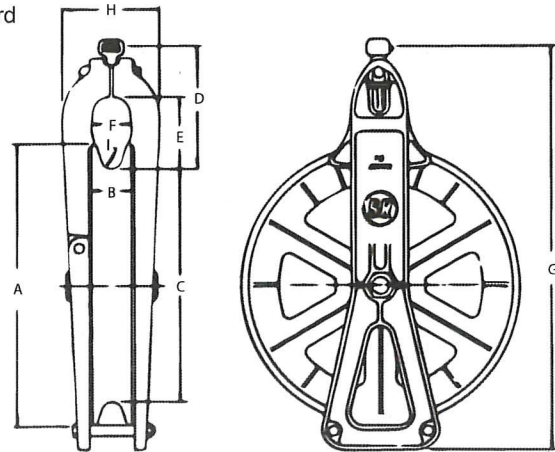
***THE CONNECTION BETWEEN THE TWO ROPES ALWAYS NEEDS TO BE:  
TWO FLEX EYE GRIPS AND A SWIVEL***

\* Dimensions, weights, capacities are approximate. Manufacturer's specifications subject to change without notice.

## 78 SERIES

### FEATURES

- Construction of single conductor type transmission lines, industry standard
- Large enough for bigger conductors yet still light and easy to handle
- Throat sections is sufficiently large to permit passage of sleeves and connections of most types encountered in new construction and reconductoring
- All aluminum alloy throughout
- Mounted on anti-friction ball bearings for easy, accurate sagging
- Socket connector fitting standard
- S+R exclusive positive locking head pin
- Tandem available in 35 in. and 42 in. to reduce break-over angle
- The 46 ¼ in. 79 Series is designed for large throat openings that allow the passing of "dead ends" often associated with river crossings. Also available with a urethane lining.



### COMPLETE DIMENSIONS

| SIZE [NDM] | SHEAVE OD IN. | RIM WIDTH IN. | GROOVE BOTTOM DIA. IN. |          | CONNECTION POINT TO GROOVE BOTTOM IN. |          | THROAT DIMENSIONS IN. |          |       | HEIGHT OVERALL IN. | WIDTH OVERALL IN. | GROOVE RADIUS IN. |
|------------|---------------|---------------|------------------------|----------|---------------------------------------|----------|-----------------------|----------|-------|--------------------|-------------------|-------------------|
|            |               |               | Polished Groove        | Urethane | Polished Groove                       | Urethane | Height                |          | Width |                    |                   |                   |
|            |               |               |                        |          |                                       |          | Polished Groove       | Urethane |       |                    |                   |                   |
| A          | B             | C             |                        | D        |                                       | E        |                       | F        | G     | H                  | I                 |                   |
| 20         | 20            | 3 1/8         | 16                     | 16 1/4   | 10 3/8                                | 10 1/4   | 5 11/16               | 5 9/16   | 3 1/8 | 30 1/8             | 7 5/8             | 13/16             |
| 22         | 22            | 3 1/8         | 18                     |          | 10 3/8                                |          | 5 11/16               |          | 3 1/8 | 32                 | 7 7/8             | 13/16             |
| 28         | 28            | 3 1/4         | 23 3/4                 | 24       | 10 1/4                                | 10 3/8   | 5 13/16               | 5 11/16  | 3 1/4 | 38 1/8             | 7 3/4             | 7/8               |
| 28-A       | 28            | 3 1/4         | -                      | 24       | -                                     | 10 3/8   | -                     | 5 11/16  | 3 1/4 | 38 1/8             | 7 3/4             | 1                 |
| 35         | 35            | 4             | -                      | 30 1/4   | -                                     | 12 13/4  | -                     | 8 1/32   | 4 1/2 | 47                 | 10 3/8            | 1 1/8             |
| 42         | 42            | 4 1/2         | -                      | 36       | -                                     | 17 3/8   | -                     | 9 3/4    | 5     | 58                 | 12 1/2            | 1 1/8             |
| 46.25      | 46.25         | 5.00          | -                      | 40.00    | -                                     | 14.50    | -                     | 6.75     | 4.00  | 61.00              | 10.00             | 1.375             |

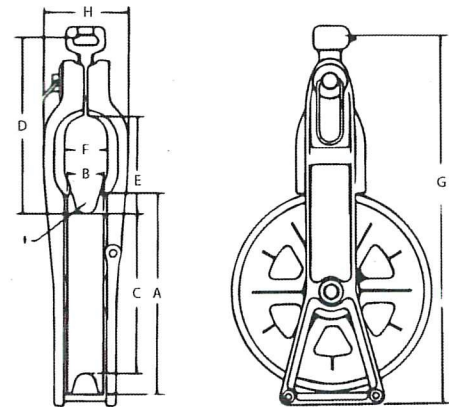
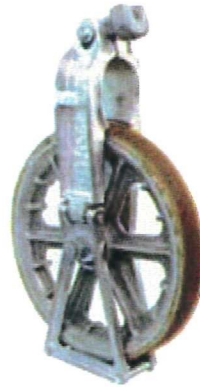
### SPECIFICATIONS

| SIZE [NDM] | MAXIMUM CONDUCTOR OD              | MAXIMUM WORKING LOAD LBS. | BLOCK WEIGHT [NDM] LBS. | MATERIAL                  |        | EFFICIENCY |
|------------|-----------------------------------|---------------------------|-------------------------|---------------------------|--------|------------|
|            |                                   |                           |                         | FRAME                     | SHEAVE |            |
| 20         | Refer to IEEE Standard 524 (2016) | 12,000                    | 42                      | A356-T6 Aluminum-(virgin) |        | 98%        |
| 22         |                                   | 12,000                    | 46                      |                           |        |            |
| 28         |                                   | 12,000                    | 62                      |                           |        |            |
| 28-A       |                                   | 12,000                    | 68                      |                           |        |            |
| 35         |                                   | 12,000                    | 115                     |                           |        |            |
| 42         |                                   | 17,000                    | 155                     |                           |        |            |
| 46.25      |                                   | 20,000                    | 185                     |                           |        |            |

## 74 SERIES

### FEATURES

- Steel socket connector
- Safety locking head pin
- Built-in handle and hand line hook
- Large widened throat
- Smoothly contoured conductor guard follows contour of sheave
- Lightweight aluminum alloy sheave
- Shielded ball bearings
- Lubrication fitting



### COMPLETE DIMENSIONS

| SIZE [NDM] | SHEAVE OD IN. | RIM WIDTH IN. | GROOVE BOTTOM DIA. IN. |          | CONNECTION POINT TO GROOVE BOTTOM IN. |          | THROAT DIMENSIONS IN. |          |       | HEIGHT OVERALL IN. | WIDTH OVERALL IN. | GROOVE RADIUS IN. |
|------------|---------------|---------------|------------------------|----------|---------------------------------------|----------|-----------------------|----------|-------|--------------------|-------------------|-------------------|
|            |               |               | Polished Groove        | Urethane | Polished Groove                       | Urethane | Height                |          | Width |                    |                   |                   |
|            |               |               |                        |          |                                       |          | Polished Groove       | Urethane |       |                    |                   |                   |
| A          | B             | C             |                        | D        |                                       | E        |                       | F        | G     | H                  | I                 |                   |
| 10         | 10            | 1 7/8         | 7 11/16                | 7 15/16  | 9 15/32                               | 9 11/32  | 4 59/64               | 4 51/64  | 2 1/8 | 19 7/16            | 4 1/4             | 17/32             |
| 12         | 12            | 2             | 9 5/8                  | 10       | 9 1/2                                 | 9 5/16   | 5 3/64                | 4 55/64  | 2 1/4 | 20 15/16           | 4 1/8             | 19/32             |
| 14         | 14 19/40      | 2 1/8         | 11 76/77               | 12 11/46 | 10 2/29                               | 9 33/35  | 5 7/13                | 5 7/17   | 2 3/8 | 24 1/16            | 5 5/32            | 13/20             |
| 16         | 16 1/2        | 2 1/4         | 14                     | 14       | 10 1/32                               | 10 1/32  | 5 29/64               | 5 29/64  | 2 1/2 | 26 1/32            | 5 1/2             | 23/32             |

### SPECIFICATIONS

| SIZE [NDM] | MAXIMUM CONDUCTOR OD, IN.         | MAXIMUM WORKING LOAD LBS. | BLOCK WEIGHT [NDM] | MATERIAL                   |        | EFFICIENCY |
|------------|-----------------------------------|---------------------------|--------------------|----------------------------|--------|------------|
|            |                                   |                           |                    | FRAME                      | SHEAVE |            |
| 10         | Refer to IEEE Standard 524 (2016) | 6,500                     | 11 1/2             | A356-T6 Aluminum- (virgin) |        | 98%        |
| 12         |                                   | 6,500                     | 14 1/2             |                            |        |            |
| 14         |                                   | 7,500                     | 18                 |                            |        |            |
| 16         |                                   | 9,000                     | 22                 |                            |        |            |

Block Ground



### ADDITIONAL FITTINGS

- #1 Hook
- #1 Hook with Safety Latch
- #6 Oval Eye

- #8 Clevis
- #3030 Y-Clevis

### ACCESSORIES

#### BLOCK GROUNDS

Provides direct grounding to the conductor or pulling line via an aluminum or steel sheave to maintain voltage drain for safer working conditions. This sheave applies constant contact against the conductor via spring-action from underneath the wire which prevents the block from "yawing".

\_\_\_\_\_  
Name of Bidder

**BID PROPOSAL**

**\*\*\*NO SUBSTITUTIONS\*\*\***

| <b>Description</b>  | <b>Price per Each</b> | <b>Total Quantity</b> | <b>Total Price</b> |
|---|-----------------------|-----------------------|--------------------|
| S-7500 Spider Reels   | \$ _____              | 4                     | \$ _____           |
| 3000 FT Rope for S-7500 (1-Blue, 1-Green, 1-Red, & 1-Black)   | \$ _____              | 4                     | \$ _____           |
| S-7500 Controllers  | \$ _____              | 4                     | \$ _____           |
| S-8500 Spider Reels   | \$ _____              | 4                     | \$ _____           |
| 6000 FT Rope for S-8500 (1-Blue, 1-Green, 1-Red, & 1-Black)   | \$ _____              | 4                     | \$ _____           |
| S-8500 Controllers  | \$ _____              | 4                     | \$ _____           |
| 22" 78 Series Polished Grove Stringing Block w/#3030 Y-Clevis | \$ _____              | 4                     | \$ _____           |
| <b>SUBTOTAL</b>   |                       |                       | <b>\$ _____</b>    |
| **Sales Tax @ 10.2%   |                       |                       |                    |
| <b>TOTAL AMOUNT</b>   |                       |                       | <b>\$ _____</b>    |



City of Tacoma  
 Community & Economic Development  
 Office of Small Business Enterprise  
 747 Market Street, Room 808  
 Tacoma, WA 98402  
 253-594-7933 or 253-591-5224

## PRIME CONTRACTOR'S PRE-WORK FORM

Company Name \_\_\_\_\_

Telephone \_\_\_\_\_

Address/City/State/Zip Code \_\_\_\_\_

Specification Number \_\_\_\_\_

Specification Title \_\_\_\_\_

| JOB CATEGORIES<br>SPECIFY | TOTAL<br>EMPLOYEES |   | TOTAL<br>MINORITY<br>EMPLOYEES |   | BLACK |   | ASIAN or PACIFIC<br>ISLANDER |   | AMERICAN<br>INDIAN or<br>ALASKAN NATIVE |   | HISPANIC |   |
|---------------------------|--------------------|---|--------------------------------|---|-------|---|------------------------------|---|---|---|----------|---|
|                           | M                  | F | M                              | F | M     | F | M                            | F | M                                       | F | M        | F |
| Officer / Managers        |                    |   |                                |   |       |   |                              |   |   |   |          |   |
| Supervisors               |                    |   |                                |   |       |   |                              |   |   |   |          |   |
| Project Managers          |                    |   |                                |   |       |   |                              |   |   |   |          |   |
| Office / Clerical         |                    |   |                                |   |       |   |                              |   |   |   |          |   |
|                           |                    |   |                                |   |       |   |                              |   |   |   |          |   |
|                           |                    |   |                                |   |       |   |                              |   |   |   |          |   |
|                           |                    |   |                                |   |       |   |                              |   |   |   |          |   |
|                           |                    |   |                                |   |       |   |                              |   |   |   |          |   |
|                           |                    |   |                                |   |       |   |                              |   |   |   |          |   |
| Apprentices               |                    |   |                                |   |       |   |                              |   |   |   |          |   |
| Trainees                  |                    |   |                                |   |       |   |                              |   |   |   |          |   |
| <b>TOTALS</b>             |                    |   |                                |   |       |   |                              |   |   |   |          |   |

### CONTRACTOR'S PROJECTED WORK FORCE - THIS PROJECT

|                |  |  |  |  |  |  |  |  |  |  |  |  |
|----------------|--|--|--|--|--|--|--|--|--|--|--|--|
| Superintendent |  |  |  |  |  |  |  |  |  |  |  |  |
| Foreman        |  |  |  |  |  |  |  |  |  |  |  |  |
| Operators      |  |  |  |  |  |  |  |  |  |  |  |  |
| Laborers       |  |  |  |  |  |  |  |  |  |  |  |  |
|                |  |  |  |  |  |  |  |  |  |  |  |  |
|                |  |  |  |  |  |  |  |  |  |  |  |  |
|                |  |  |  |  |  |  |  |  |  |  |  |  |
|                |  |  |  |  |  |  |  |  |  |  |  |  |
|                |  |  |  |  |  |  |  |  |  |  |  |  |
| Apprentice     |  |  |  |  |  |  |  |  |  |  |  |  |
| Trainee        |  |  |  |  |  |  |  |  |  |  |  |  |
| <b>TOTALS</b>  |  |  |  |  |  |  |  |  |  |  |  |  |

Type or Print Name of Responsible Officer / Title \_\_\_\_\_

Signature of Responsible Officer \_\_\_\_\_

Date \_\_\_\_\_

## **INSTRUCTIONS FOR COMPLETING PRIME CONTRACTOR'S PRE-WORK FORM**

***This form only applies to employees who will be working on this specific project.***

1. "Heading" the company name and address should reflect the prime contractor actually doing business with the City of Tacoma. If this address is different from that of the Equal Employment Opportunity Officer that administers the EEO programs of the company, the Equal Employment Opportunity Officer's address should be noted in the "Comments" section at the bottom of the form. "Telephone" should contain the area code, telephone number and extension (if any) for the Equal Employment Officer or the responsible official.
2. "Job Categories" at the extreme left hand column of the form specifying "Job Categories" lists "Officials & Managers." You are to list in addition to Officials & Managers any appropriate job titles such as Sales Workers, Office/Clerical, Professionals, Technical, etc., as they apply to your own company and only as pertains to this specific project.
3. The "M" and "F" headings at the top of each column refer to "Male" and "Female."
4. The "Total Employees" column should list the total number of male employees under "M" and the total female number of female employees under "F" for each job category listed. They should be listed in a similar manner in the "Total" category at the bottom of the form. The "Total Employees" column should include all those employees listed under "Non-Minority" and "Total Minorities." "Non-Minority" should include all employees not listed in the minority columns.
5. "Total Minorities" should include all employees listed under the "Black," "Asian or Pacific Islander" (A person having origins in any of the original peoples of the Far East, Southeast Asia, the Indian subcontinent, or the Pacific Islands. This area includes, for example, China, India, Japan, Korea, the Philippine Islands, and Samoa.), "American Indian or Alaskan Native," and "Hispanic" columns. These columns should include only employees who are members of that particular minority group. Designation and definitions of ethnic/national origin status follow the instructions and definitions of the Federal EEO-1 Form of the U. S. Equal Employment Opportunity Commission.
6. "Totals" this line should reflect the total of all lines in each of the above columns.
7. The signature of your company's designated responsible official or similar official responsible for equal employment opportunity must appear in the designated space at the bottom of the form. Please PRINT OR TYPE the person's name on the top line across from the signature. This is required since some signatures are difficult to read.
8. "Comments" this section is to be used as needed for explanations to under utilization rate or lack of turnover, proposed expansion or reduction of staff or any other pertinent information you believe will help clarify or explain the data presented on the form. If you need additional space, please explain on a separate sheet of paper.
9. If you need assistance or have questions regarding the completion of this form, please call the SBE Office at 253-594-7933 or 253-591-5224.

## Sustainability

The City has an interest in sustainable operations with minimal adverse impact on the environment. The City seeks to do business with vendors that value community and environmental stewardship that help us meet our sustainable purchasing goals.

1. Have you incorporated sustainability into your everyday business practices? Y/N Please describe

---

---

---

---

---

---

---

2. Have you taken measures to minimize impacts to the environment in the delivery of proposed goods and/or services? Y/N Please describe.

---

---

---

---

---

---

---

**CITY OF TACOMA  
STANDARD TERMS AND CONDITIONS  
GOVERNS BOTH GOODS AND SERVICES AS APPLICABLE**

In the event of an award by the City, these Terms and Conditions stated herein, Additional Contract Documents if issued, Solicitation if issued, Purchase Orders if issued by City, and Supplier's Submittal, if provided, shall constitute the Contract between City and Supplier for the acquisition of goods, including materials, supplies, and equipment or for the provision of services and deliverables.

Said documents represent the entire Contract between the parties and supersede any prior oral statements, discussions, or understandings between the parties, and/or subsequent Supplier invoices. No modification of the Contract shall be effective unless mutually agreed in writing.

The specific terms and conditions of any Solicitation (Specification, Request for Bids, Request for Proposals, Requests for Qualifications, Requests for Quotations, Request for Information, bid documents, request to enter into negotiations, or other form of solicitation issued by City, including any general, special, or technical provisions associated with such Solicitations) are incorporated herein by reference and supersede these Terms and Conditions where there is conflict or inconsistency.

In the event Additional Contract Documents are negotiated and agreed to in writing between Supplier and City, the specific terms of such Additional Contract Documents are incorporated herein by reference and supersede all other terms and conditions where there is conflict or inconsistency.

These Terms and Conditions, Additional Contract Documents if issued, Solicitation if issued, City purchase order if issued, are controlling over Supplier's Submittal if a Submittal is provided. Submittals if provided are incorporated herein by reference.

**1.01 SUPPLIER / CONTRACTOR**

As used herein, "Supplier" or "Contractor" shall be the Supplier(s) entering a Contract with City, whether designated as a Supplier, Contractor, Vendor, Proposer, Bidder, Respondent, Seller, Merchant, Service Provider, or otherwise.

**1.02 SUBMITTAL**

Submittal means Bids, Proposals, Quotes, Qualifications or other information, content, records or documents submitted in response to a City Solicitation.

**1.03 FORMS OF SUBMITTAL**

Unless stated otherwise, all submittals must be in SAP Ariba and submitted exactly as specified or directed, and all required forms must be used.

**1.04 COSTS TO PREPARE SUBMITTAL**

The City is not liable for any costs incurred by Supplier for the preparation of materials or a Submittal provided in response to a solicitation, conducting presentations to the City, or any other activities related to responding to the City's Solicitation.

**1.05 LICENSES/PERMITS**

- A. Suppliers, if applicable, must have a Washington state business license at the time of Submittal and throughout the term of the Contract. Failure to include a Washington state business license may be grounds for rejection of the Submittal or cancellation of contract award. Information regarding Washington state business licenses may be obtained at <http://bls.dor.wa.gov>.
- B. Upon award, it is the responsibility of the Supplier to register with the City of Tacoma's Tax and License Division, 733 South Market Street, Room 21, Tacoma, WA 98402-3768, 253-591-5252, [https://www.cityoftacoma.org/government/city\\_departments/finance/tax\\_and\\_license/](https://www.cityoftacoma.org/government/city_departments/finance/tax_and_license/). Supplier shall obtain a business license as is required by Tacoma Municipal Code Subtitle 6C.20.
- C. During the term of the Contract, Supplier, at its expense, shall obtain and keep in force any and all necessary licenses and permits.



## **1.06 PUBLIC DISCLOSURE: PROPRIETARY OR CONFIDENTIAL INFORMATION**

- A. Supplier Submittals, all documents and records comprising the Contract, and all other documents and records provided to the City by Supplier are deemed public records subject to disclosure under the Washington State Public Records Act, Chapter 42.56 RCW (Public Records Act). Thus, City may be required, upon request, to disclose the Contract and documents or records related to it unless an exemption under the Public Records Act or other laws applies. In the event CITY receives a request for such disclosure, determines in its legal judgment that no applicable exemption to disclosure applies, and Supplier has complied with the requirements to mark records considered confidential or proprietary as such requirements are stated below, City agrees to provide Supplier 10 days written notice of impending release. Should legal action thereafter be initiated by Supplier to enjoin or otherwise prevent such release, all expense of any such litigation shall be borne by Supplier, including any damages, attorneys' fees or costs awarded by reason of having opposed disclosure. City shall not be liable for any release where notice was provided and Supplier took no action to oppose the release of information.
- B. If Supplier provides City with records or information that Supplier considers confidential or proprietary, Supplier must mark all applicable pages or sections of said record(s) as "Confidential" or "Proprietary." Further, in the case of records or information submitted in response to a Request for Proposals, an index must be provided indicating the affected pages or sections and locations of all such material identified Confidential or Proprietary. Information not included in the required index will not be reviewed for confidentiality or as proprietary before release. If Supplier fails to so mark or index Submittals and related records, then the City, upon request, may release said record(s) without the need to satisfy the requirements of subsection A above; and Supplier expressly waives its right to allege any kind of civil action or claim against the City pertaining to the release of said record(s).
- C. Submission of materials in response to City's Solicitation shall constitute assent by Supplier to the foregoing procedure and Supplier shall have no claim against the City on account of actions taken pursuant to such procedure.

## **1.07 SUSTAINABILITY**

- A. The City has interest in measures used by its contractors to ensure sustainable operations with minimal adverse impact on the environment. The City seeks to do business with vendors that value community and environmental stewardship that help us meet our sustainable purchasing goals.
- B. The City encourages the use of environmentally preferable products or services that help to minimize the environmental and human health impacts of City operations. Suppliers are encouraged to incorporate environmentally preferable products or services into Submittals wherever possible. "Environmentally preferable" means products or services that have a lesser or reduced effect on human health and the environment when compared with competing products or services that serve the same purpose. This comparison may consider raw materials acquisition, production, manufacturing, packaging, distribution, reuse, operation, maintenance, or disposal of the product or service.
- C. Environmental Standards. The City seeks to ensure that all purchases comply with current environmental standards and product specifications. Where appropriate, third party independent certifiers such as Green Seal and USEPA Standards shall be a minimum specification for products to the City, unless specified otherwise herein.
- D. The City encourages the use of sustainability practices and desires any awarded Suppliers to assist in efforts to address such factors when feasible for:
  - 1. Pollutant releases
  - 2. Toxicity of materials used
  - 3. Waste generation
  - 4. Greenhouse gas emissions, including transportation of materials and services
  - 5. Recycle content
  - 6. Energy consumption
  - 7. Depletion of natural resources
  - 8. Potential impact on human health and the environment

#### **1.08 ALTERATIONS NOT ALLOWED**

Except as otherwise specifically provided in a Solicitation, Submittals that are incomplete or conditioned in any way, contain erasures, alternatives or items not called for, or not in conformity with law, may be rejected as being non-responsive. Any attempt to condition a Submittal by inserting exceptions to the Solicitation or any conditions, qualifications or additions that vary its terms may result in rejection of the Submittal. The City may reject any submittal containing a material deviation from the Solicitation.

#### **1.09 CORRECTION OF AMBIGUITIES AND OBVIOUS ERRORS**

- A. The City reserves the right to correct obvious errors in Supplier's Submittal. In this regard, if the unit price does not compute to the extended total price, the unit price shall govern.
- B. Supplier shall notify the City of Tacoma Procurement and Payables Division in writing of any ambiguity, conflict, discrepancy, omission or other error in a Solicitation no later than five business days prior to the submittal deadline.
  - 1. For solicitations conducted in SAP Ariba, Supplier shall notify the City of Tacoma Procurement and Payables Division on the message board of the event.
  - 2. For all other solicitations, Supplier shall notify the contract person listed in the Solicitation.
- C. The City will make necessary modifications by addendum.
- D. Supplier is responsible for identifying ambiguities, conflicts, discrepancies, omissions or other errors in the Solicitation prior to providing its Submittal or the ambiguity, conflict, discrepancy, omission, or other error is waived. Any Submittal that includes assumed clarifications and/or corrections without the required authentication of the same is subject to rejection.

#### **1.10 WARRANTIES/GUARANTEE**

- A. Suppliers warrant that all items, including services, as applicable:
  - 1. Are merchantable.
  - 2. Comply with the City's latest drawings and specifications.
  - 3. Are fit for the City's intended use.
  - 4. Will be performed according to the skill and care required by customarily accepted good practices and procedures followed by service providers rendering the same or similar type of service.
  - 5. Are new and unused unless otherwise stated.
  - 6. Comply with all applicable safety and health standards established for such products by the Occupational Safety and Health Administration (OSHA), Washington Industrial Safety and Health Act (WISHA) and/or Consumer Products Safety Act (CPSA), and all other applicable state and federal laws or agency regulations.
  - 7. Are properly packaged and contain appropriate instructions or warnings, including applicable MSDS sheets.

#### **1.11 PATENTS, TRADEMARKS AND COPYRIGHTS**

Suppliers warrant that equipment and/or materials furnished, including software, do not infringe on any patent, trademark or copyright, and agree to indemnify, defend and hold harmless, the City in the event of any infringement or claim thereof.

#### **1.12 DELIVERY OF SUBMITTALS TO THE CITY'S PROCUREMENT AND PAYABLES DIVISION**

- A. Submittal packages must be received by the City's Procurement and Payables Division in SAP Ariba (unless another form of delivery is stated), prior to the scheduled time and date stated in the Solicitation.
- B. Supplier is solely responsible for timely delivery of its Submittal.
- C. Submittals received after the time stated in the solicitation will not be accepted.
- D. For purposes of determining whether a Submittal has been timely received in SAP Ariba, the City's Procurement and Payables Division will rely on the submittal clock in SAP Ariba.

**1.13 SUBMITTAL IS NON-COLLUSIVE**

Supplier acknowledges that by its delivery of a Submittal to the City in response to a Solicitation, it represents that the prices in such Submittal are neither directly nor indirectly the result of any formal or informal agreement with another Supplier.

**1.14 PARTNERSHIPS**

The City will allow firms to partner in order to respond to a Solicitation. Multiple suppliers may team under a Prime Supplier's Submittal in order to provide responses to all sections in a single submission; however, each Supplier's participation must be clearly delineated by section. The Prime Supplier will be considered the responding vendor and the responsible party at contract award. All contract negotiations will be conducted only with the Prime Supplier. All contract payments will be made only to the Prime Supplier. Any agreements between the Prime Supplier and other companies will not be a part of the Contract between the City and the Prime Supplier. The City reserves the right to select more than one Prime Supplier.

**1.15 WITHDRAWAL OF SUBMITTALS**

- A. Prior to Submittal Deadline. Submittals may be withdrawn (including in SAP Ariba) prior to the scheduled submittal deadline.
- B. After Submittal Deadline. No Submittal can be withdrawn after having been opened before the actual award of the contract, unless the award is delayed more than 90 calendar days beyond the date of opening. If a delay of more than 90 calendar days does occur, Supplier must submit written notice to the City purchasing manager that Supplier is withdrawing its submittal.

**1.16 ACCEPTANCE OF SUBMITTALS**

- A. If the solicitation announcement so states, submittals, unless previously withdrawn, will be read aloud, irrespective of any irregularities or informalities in such submittal, at the time and place specified in the solicitation announcement.
- B. All submittals must remain open for acceptance by the City for a period of at least 90 calendar days from the submittal deadline.

**1.17 RIGHT TO REJECT**

- A. The City of Tacoma reserves the right to reject any and all submittals, waive minor deviations or informalities, supplement, amend, reduce or otherwise modify the scope of work or cancel the solicitation, and if necessary, call for new submittals.

**1.18 RESERVED RIGHTS**

- A. By providing a submittal in response to a City solicitation, Supplier acknowledges and consents to the below City rights and conditions. With regard to this procurement process, the City reserves, holds without limitation, and may exercise, at its sole discretion, the following rights and conditions:
  - 1. To terminate the procurement process or decide not to award a contract as a result thereof by written notice to the Suppliers for any reason whatsoever with or without substitution of another solicitation.
  - 2. To waive any defect, technicality, or any other minor informality or irregularity in any submittal, or any other response from Suppliers.
  - 3. To issue addenda for any purpose including:
    - a. To make minor or major changes or alterations to the evaluation, selection and/or performance schedule(s) for any events associated with a procurement.
    - b. To supplement, amend, reduce, cancel, or otherwise modify a Solicitation, including but not limited to modifications to the description of services and/or products contained in the solicitation, by omitting services/products and/or including services/products.
  - 4. To request clarifications, additional information, and/or revised Submittals from one or more Suppliers.
  - 5. To conduct investigations with respect to the qualifications and experience of Supplier(s), including inspection of facilities and to request additional evidence to support any such information.

6. To eliminate any Supplier that submits an incomplete or inadequate response, or is non-responsive to the requirements of a Solicitation, or is otherwise deemed to be unqualified during any stage of the procurement process.
7. To select and interview a single finalist or multiple finalists to further the City's evaluation of Submittals provided in response to a Solicitation. The City may, in its sole and exclusive discretion as to what is in the City's best interest, elect not to conduct interviews of any or all Suppliers in connection with a solicitation process.
8. Except in the case of Requests for Bids, to negotiate any rate/fee offered by a Supplier. The City shall have the sole right to make the final rate/fee offer during contract negotiations. If the selected Supplier does not accept the City's final offer, the City may, in its sole discretion discontinue contract negotiations and commence negotiations with another Supplier, except as otherwise provided in Chapter 39.80, RCW.
9. To select and enter into a Contract with one or more Suppliers whose Submittal best satisfies the interests of the City and is most responsive, in the sole judgment of the City, to the requirements of a Solicitation.
10. To award by line item or group of line items.
11. To not award one or more items.
12. To issue additional or subsequent solicitations.
13. To seek partnerships between one or more Suppliers.
14. Request additional related products and services from the selected Supplier(s) as necessary throughout the term of the Contract.
15. Negotiate costs or fees in the event of new legislation or regulatory changes, or issuance of related compliance guidance, technology enhancements, and innovative solutions.
16. In the event the City receives questions concerning a Solicitation from one or more Suppliers prior to the deadline for response, the City reserves the right to provide such questions, and the City's responses, if any, to all Suppliers.
17. If an award is made and, prior to entering into a contract, subsequent information indicates that such award is not in the best interest of the City, the City may rescind the award without prior notice to Supplier and either award to another Supplier or reject all submittals or cancel this solicitation.
18. To cancel award of a contract at any time before execution of the Contract by both parties if cancellation is deemed to be in the City's best interest. In providing a submittal, Suppliers agree that the City is not liable for any costs or damages for the cancellation of an award. Supplier assumes the sole risk and responsibility for all expenses connected with the preparation of its submittal.
19. To add additional City departments or divisions to the Contract or develop a separate Contract with the Supplier subject to all terms, conditions and pricing of the original Contract
20. To take any other action affecting a Solicitation or a procurement process that is determined to be in the City's best interests.

#### **1.19 SUBMITTAL CLARIFICATION**

Suppliers may be asked to clarify their Submittal. This action shall not be construed as negotiations or any indication of intentions to award. If called upon, Supplier must respond to such requests within two business days or the timeframe set forth by the City in its request for clarification. Supplier's failure to respond to such a request may result in rejection of its Submittal.

#### **1.20 EVALUATION OF SUBMITTALS**

- A. The City of Tacoma reserves the right to award to the lowest and best responsible Supplier(s) delivering a Submittal in compliance with the Solicitation, provided such Submittals are reasonable and are in the best interest of the City to accept. The City may use a number of criteria for determining award, including evaluation factors set forth in Municipal Code Section 1.06.262. Suppliers who are inexperienced or who fail to properly perform other contracts may have their submittal rejected for such cause.

1. Evaluation Factors. In addition to the factors set forth in Municipal Code Section 1.06.262, the following may be used by the City in determining the lowest and best responsible Submittal:
  - a. Compliance with a Solicitation and with applicable City requirements, including by not limited to, the City's Ethics Code and its Small Business Enterprise and Local Employment and Apprenticeship programs.
  - b. Submittal prices, listed separately if requested, as well as a lump sum total (if the unit price does not compute to the extended total price, the unit price shall govern).
  - c. The total cost to the City, including all applicable taxes, may be the basis for contract award.
  - d. Time of delivery and/or completion of performance (delivery date(s) offered).
  - e. Warranty terms.
  - f. Quality of performance of previous contracts or services, including safety requirements and past compliance with the City's Ethics Code.
  - g. Previous and existing compliance with laws and ordinances relating to contracts or services.
  - h. Sufficiency of financial resources.
  - i. Quality, availability, and adaptability of the supplies or services to the particular use required.
  - j. Ability to provide future maintenance and service on a timely basis.
  - k. Location of nearest factory authorized warranty repair facility or parts dealership.
  - l. Ability, capacity, experience, stability, reputation, integrity, character, judgment, technical qualifications, and skill to perform the contract or provide the services required.
2. Prompt Payment Discount. Payment discount periods of 20 calendar days or more, if offered in the submittal, will be considered in determining the apparent lowest responsible submittal. Discounts will be analyzed in context of their overall cumulative effect.
  - a. ePayable/Credit Card Acceptance. Submittals offering ePayable/Credit card acceptance may be compared against submittals offering a prompt payment discount to evaluate the overall cumulative effect of the discount against the advantage to the City of the ePayable/Credit card acceptance, and may be considered in determining the apparent lowest responsible submittal.
3. All other elements or factors, whether or not specifically provided for in a Solicitation, which would affect the final cost to, and the benefits to be derived by, the City, may be considered in determining the award of a Contract. The final award decision will be based on the best interests of the City.

**1.21 CONTRACT OBLIGATION**

- A. The Submittal contents of the successful Supplier will become contractual obligations if a Contract ensues.
- B. In the event the City of Tacoma determines to award a Contract, the selected Supplier(s) may be requested to execute Additional Contract Documents.
- C. Supplier shall register with the City of Tacoma on the SAP Ariba Network and be enabled for transactions upon request by the City.
- D. Suppliers may propose amendments to City's Contract documents or to these Terms and Conditions, but the City retains the right to accept or reject proposed amendments.
- E. No costs chargeable for work under the proposed Contract may be incurred before mutual acceptance and execution as directed.

**1.22 AWARD**

The City reserves the right to award Contracts for any or all items to one or more Suppliers in the best interests of the City.

**1.23 SUPPLIER'S REFUSAL TO ENTER INTO CONTRACT**

Any Supplier who refuses to enter into a Contract after it has been awarded to the Supplier will be in breach of the agreement to enter the Contract, and Supplier's certified or cashier's check or bid bond, if any, shall be forfeited.

**1.24 LEGAL HOLIDAYS**

- A. The City of Tacoma observes the following holidays, which shall apply to performance of all contracts:

|                               |                       |
|-------------------------------|-----------------------|
| New Year's Day                | January 1             |
| Martin Luther King's Birthday | 3rd Monday in January |

|                        |                          |
|------------------------|--------------------------|
| Washington's Birthday  | 3rd Monday in February   |
| Memorial Day           | Last Monday in May       |
| Independence Day       | July 4                   |
| Labor Day              | 1st Monday in September  |
| Veteran's Day          | November 11              |
| Thanksgiving Day       | 4th Thursday of November |
| Day after Thanksgiving | 4th Friday of November   |
| Christmas Day          | December 25              |

- B. When any of these holidays occur on Saturday or Sunday, the preceding Friday or the following Monday, respectively, is a legal holiday for the City of Tacoma.

**1.25 CONTRACT TERM**

All services shall be satisfactorily completed and all deliverables provided by the termination date stated, and the Contract shall expire on said date unless mutually extended in writing by the parties.

**1.26 EXTENSION OF CONTRACT**

Contracts shall be subject to extension at City's sole discretion.

**1.27 TERMINATION AND SUSPENSION**

- A. Supplies. The City reserves the right to terminate a Contract at any time upon prior written notice to Supplier. Upon the effective date of termination specified in such notice, and payment by the City, all conforming supplies, materials, or equipment previously furnished hereunder shall become its property.
- B. Services. The City may terminate a Contract at any time, with or without cause, by giving 10 business days written notice to Supplier. In the event of termination, all finished and unfinished work prepared by Supplier pursuant to the Contract shall be provided to the City. In the event City terminates the Contract due to the City's own reasons and without cause due to Supplier's actions or omissions, the City shall pay Supplier the amount due for actual work and services necessarily performed under the Contract up to the effective date of termination, not to exceed the total compensation set forth in the Contract.
- C. Suspension. For either services or supplies, the City may suspend a Contract, at its sole discretion, upon three business days' written notice to Supplier. Such notice shall indicate the anticipated period of suspension. Any reimbursement for expenses incurred due to the suspension shall be limited to Supplier's actual expenses and shall be subject to verification. Supplier shall resume performance of services under the Contract without delay when the suspension period ends.
- D. Termination or suspension of a Contract by City shall not constitute a waiver of any claims or remaining rights the City may have against Supplier relative to performance under a Contract.

**1.28 DEFAULT/BREACH**

In the event of material default or breach by Supplier on any of the conditions of a Contract, Supplier agrees that the City may, at its election, procure the goods or services from other sources, and may deduct from the unpaid balance due Supplier, or collect against the bond or security (if any), or may invoice and recover from Supplier all costs paid in excess of the price(s) set forth in the Contract.

- A. Supplies. The City at any time by written change order or other form of written contract amendment may make reasonable changes in the place of delivery, installation, or inspection, the method of shipment or packing, identification and ancillary matters that Supplier may accommodate without substantial additional expense.
- B. Services. The City shall have the right to make changes within the general scope of services and/or deliverables upon execution in writing of a change order or other written form of contract amendment. If the changes will result in additional work effort by Supplier the City agrees to reasonably compensate Supplier for such additional effort up to the maximum amount specified in the Contract or as otherwise provided by Tacoma Municipal Code. Any new services accepted by the City may be added to the Contract and/or substituted for discontinued services. New services shall meet or exceed all requirements of original award.
- C. Expansion Clause. A Contract may be further expanded in writing to include other related services or products normally offered by Supplier, as long as the price of such additional services or products have a profit margin equal to or less than that in place at the time of original submittal. Such additions and prices will be established in writing. New items not meeting these criteria will not be added to the Contract. Supplier profit margins are not to increase as a result any such expansion.

### **1.29 SCOPE OF SERVICES**

Supplier agrees to diligently and completely perform the services required by a Contract.

### **1.30 SERVICES DO NOT INCLUDE PUBLIC WORK**

Unless otherwise stated, the services and/or work contracted for herein exclude public work and improvements as defined in RCW 39.04, as that statute may hereafter be amended.

### **1.31 PREVAILING WAGES**

- A. If federal, state, local, or any applicable law requires Supplier to pay prevailing wages in connection with a Contract, and Supplier is so notified by the City, then Supplier shall pay applicable prevailing wages.
- B. If applicable, a Schedule of Prevailing Wage Rates for the locality or localities where the Contract will be performed is attached and made of part of the Contract by this reference. If prevailing wages do apply to the Contract, Supplier and its subcontractors shall:
  - 1. Be bound by the provisions of Chapter 39.12 RCW, as amended, relating to prevailing wages and usual fringe benefits,
  - 2. Ensure that no worker, laborer or mechanic employed in the performance of any part of the Contract shall be paid less than the prevailing rate of wage specified on that Schedule, and
  - 3. Immediately upon award of the Contract, contact the Department of Labor and Industries, Prevailing Wages section, Olympia, Washington, to obtain full information, forms and procedures relating to these matters. Per such procedures, a Statement of Intent to Pay Prevailing Wages must be submitted by Contractor and its subcontractors to the City, in the manner requested by the City, prior to any payment by the City hereunder, and an Affidavit of Wages Paid must be received or verified by the City prior to final Contract payment.

### **1.32 CONTRACT PRICING**

- A. Submitted prices shall include costs of submittal preparation, servicing of the account, all contractual requirements during contract period such as transportation, permits, insurance costs, bonds, labor, wages, materials, tools, components, equipment, and appurtenances necessary to complete the work, which shall conform to the best practice known to the trade in design, quality, material, and workmanship.
- B. Surcharges of any type will not be paid.
- C. If applicable, related additional products and corresponding services of benefit to the City not specifically required in a solicitation, but which Supplier offers to provide, may be included with the submittal. Supplier may request to add new products if the City approves them and Supplier can demonstrate the pricing is from the same pricing structure/profit margin.
- D. Unless specifically stated otherwise, only firm prices will be accepted and all prices shall remain firm during the term of a Contract.
- E. Price increases may at City's discretion be passed along during a contract period if the increase is mandated by statute, or the result of a tariff.
- F. By submitting prices, Supplier warrants prices equal to or better than the equivalent prices, terms, and benefits offered by Supplier to any other government unit or commercial customer.
- G. Should Supplier, during the term of a Contract, enter into any other contract, agreement or arrangement that provides lower prices, more favorable terms or greater benefits to any other government unit or commercial customer, the Contract with the City shall thereupon be deemed amended to provide the same price or prices, terms and benefits to the City. This provision applies to comparable products and purchase volumes by the City that are not less than the purchase volumes of the government unit or commercial customer that has received the lower prices, greater benefits, or more favorable terms.
- H. If at any time during the term of the Contract, Supplier reduces prices to other buyers purchasing approximately the same quantities stated on the Contract, Supplier will immediately notify the City purchasing manager of such fact, and the price(s) for future orders under the Contract shall be reduced accordingly.
- I. The City is entitled to any promotional pricing during the Contract period.
- J. Price decreases shall be immediately passed on to the City.

- K. The City reserves the right to increase or decrease the quantities of any item awarded pursuant to the Contract and pay according to the unit prices quoted in the submittal with no adjustments for anticipated profit.

### **1.33 APPROVED EQUALS WHEN ALTERNATES ARE ALLOWED**

- A. Unless an item is indicated as "no substitute," special brands, when named, are intended to describe the standard of quality, performance, or use desired. Equal items will be considered by the City, provided that Supplier specifies the brand and model, and provides all descriptive literature, independent test results, specification sheets, schematic drawings, photographs, product samples, local servicing, parts availability, etc., to enable the City to evaluate the proposed equal. Performance testing in the field may be required.
- B. The decision of the City as to what items are equal shall be final and conclusive. If the City elects to purchase a brand represented by Supplier to be an "equal," the City's acceptance of the item is conditioned on the City's inspection and testing after receipt. If, in the sole judgment of the City, the item is determined not to be an equal, the item shall be returned at Supplier's expense.
- C. When a brand name or level of quality is not stated in Supplier's submittal, it is understood Supplier's submittal shall exactly confirm with those required in the Contract. If more than one brand name is stated in a Solicitation, Supplier(s) must indicate the brand and model/part number to be supplied.

### **1.34 RISK OF LOSS, SHIPPING AND DELIVERY**

- A. Shipping. Prices must be quoted FOB destination (the place of destination as defined in RCW 62A.2-319, as that statute may hereafter be amended), with freight prepaid and allowed (shipping costs included in unit prices), and risk of loss remaining with Supplier until delivery is tendered.
- B. Delivery. Delivery will be to the designated addresses set forth in a Solicitation or as otherwise stated in the Contract. Deliveries shall be between 9:00 a.m. and 3:30 p.m., Monday through Friday only, except Legal Holidays. Failure to make timely delivery shall be cause for termination of the contract or order and return of all or part of the items at Supplier's expense except in the case of force majeure.

### **1.35 DELIVERY OF PRODUCTS AND PROVISION OF SERVICES – IDLING PROHIBITED**

- A. The City of Tacoma has a commitment to reduction of unnecessary fuel emissions and improving air quality by reducing unnecessary air pollution from idling vehicles. Limiting car and truck idling supports cleaner air, healthier work environments, the efficient use of city resources, the public's enjoyment of City properties and programs, conservation of natural resources, and good stewardship practices.
- B. Vehicles and/or diesel fuel trucks shall not idle at the time and location of the delivery to the City of Tacoma for more than three minutes. The City requires contractors to utilize practices that reduce fuel consumption and emission discharge, including turning off trucks and vehicles during delivery of products to the City. Exceptions to this requirement include when associated power is necessary to make a delivery or provide the service, when the engine is used to provide power to another device, and when a running engine is required for proper warm-up and cool-down of the engine.

### **1.36 PACKING SLIPS AND INVOICES**

- A. Each invoice shall show City of Tacoma purchase order number, release number if applicable, quantity, unit of measure, item description, unit price and extended price for each line if applicable, services and deliverables provided if applicable. Line totals shall be summed to give a grand total to which sales tax shall be added, if applicable.
  - 1. For transactions conducted in SAP Ariba, invoices shall be submitted through Ariba.
  - 2. For invoices paid by ACH or by check, unless stated otherwise, invoices shall be electronically submitted by email with corresponding PO number listed in the subject line to [accountspayable@cityoftacoma.org](mailto:accountspayable@cityoftacoma.org).
  - 3. For invoices paid by credit card, invoices shall also display the last name of the cardholder and last four digits (only) of the card number (e.g., Jones/6311). Unless stated otherwise, invoices shall be electronically submitted by email with corresponding PO number listed in the subject line to (do not combine different POs into one invoice or charge) to [pcardadmin@cityoftacoma.org](mailto:pcardadmin@cityoftacoma.org).
- B. Any terms, provisions or language in Supplier's invoice(s) that conflict with the terms of the Contract are superseded and shall not apply to the Contract unless expressly accepted in writing by the City.
- C. Packing slips and shipping notices shall be sent to the specific City Division or Department receiving the item(s) at the address stated in City's Solicitation or as otherwise stated in the Contract and include



complete description of items, contents of items if crated or cased, quantity, shipping point, carrier, bill of lading number and City of Tacoma purchase order.

- D. Supplier shall package orders, preferably in environmental friendly packaging such as reduced packaging and recyclable packing materials.

### **1.37 COOPERATIVE PURCHASING**

The Washington State Interlocal Cooperation Act RCW 39.34 provides that other governmental agencies may purchase goods and services based on the Contract with the City in accordance with the terms and prices of the Contract if all parties are agreeable. Each public agency shall formulate a separate contract with Supplier, incorporating the terms and conditions of the Contract with the City of Tacoma. The City shall incur no liability in connection with such contracts or purchases by other public agencies thereunder. It will be Supplier's responsibility to inform such public agencies of the Contract with the City. Supplier shall invoice such public agencies as separate entities.

### **1.38 TAXES**

- A. Unless otherwise stated, applicable federal, state, City, and local taxes shall be included in the submittal and in contract as indicated below. As used herein, the term "taxes" shall include any and all taxes, assessments, fees, charges, interest, penalties, and/or fines imposed by applicable laws and regulations in connection with the procurement of goods and/or services hereunder.
  - 1. Federal Excise Tax. The City of Tacoma is exempt from federal excise tax. The City will furnish a Federal Excise Tax Exemption certificate, if required. If Supplier fails to include any applicable tax in its submittal, then Supplier shall be solely responsible for the payment of said tax.
  - 2. State and Local Sales Tax. The City of Tacoma is subject to Washington state sales tax. It is Supplier's obligation to state the correct sales tax percentage and include the applicable Washington state, city and local sales tax as a separate line item(s) in the submittal.
  - 3. City of Tacoma Business and Occupation Tax. It is Supplier's obligation to include City of Tacoma Business and Occupation tax in the unit and/or lump sum prices submitted; it shall not be shown separately on the submittal. Per Sub-Title 6A of the City of Tacoma Municipal Code, transactions with the City of Tacoma may be subject to the City's Business and Occupation Tax.
- B. Any or All Other Taxes. Any or all other taxes are the responsibility of Supplier unless otherwise required by law. Except for state sales tax, Supplier acknowledges that it is responsible for the payment of all taxes applicable to the Contract and Supplier agrees to comply with all applicable laws regarding the reporting of income, maintenance of records, and all other requirements and obligations imposed pursuant to applicable law.
- C. If the City is assessed, made liable, or responsible in any manner for taxes contrary to the provisions of the Contract, Supplier agrees to hold the City harmless from such costs, including attorney's fees. In the event Supplier fails to pay any taxes, assessments, penalties, or fees imposed by any governmental body, including a court of law, other than those taxes the City is required to pay, then Supplier authorizes the City to deduct and withhold or pay over to the appropriate governmental body those unpaid amounts upon demand by the governmental body. It is agreed that this provision shall apply to taxes and fees imposed by City ordinance. Any such payments shall be deducted from Supplier's total compensation.

### **1.39 COMPENSATION**

- A. The City shall compensate Supplier in accordance with the Contract. Said compensation shall be the total compensation for Supplier's performance hereunder including, but not limited to, all work, services, deliverables, materials, supplies, equipment, subcontractor's fees and all reimbursable travel and miscellaneous or incidental expenses to be incurred by Supplier. Unless stated otherwise the total stated compensation may not be changed without a written change order or other form of contract amendment.
- B. Payment(s) made in accordance with the Contract shall fully compensate Supplier for all risk, loss, damages or expense of whatever nature, and acceptance of payment shall constitute a waiver of all claims submitted by Supplier.

### **1.40 PAYMENT TERMS**

- A. Payment shall be made through the City's ordinary payment process, and shall be considered timely if made within 30 days of receipt of a properly completed invoice. All payments shall be subject to adjustment for any amounts, upon audit or otherwise, determined to have been improperly invoiced.

The City may withhold payment to Supplier for any services or deliverables not performed as required hereunder until such time as Supplier modifies such services or deliverables to the satisfaction of the City.

- B. Invoices will not be processed for payment, nor will the period of cash discount commence, until all invoiced items are received and satisfactory performance of the Contract has been attained. Upon CITY'S request, Supplier shall submit necessary and appropriate documentation, as determined by the CITY, for all invoiced services and deliverables. If an adjustment in payment is necessary due to damage or dispute, the cash discount period shall commence on the date final approval for payment is authorized.

#### **1.41 PAYMENT METHOD – EPAYABLES – CREDIT CARD ACCEPTANCE – EFT/ACH ACCEPTANCE**

A. Payment methods include:

- 1. EPayables (Payment Plus). This is payment made via a virtual, single use VISA card number provided by the City's commercial card provider. Suppliers accepting this option will receive "due immediately" payment terms. Two options for acceptance are available to suppliers. Both are accompanied by an emailed advice containing complete payment details:
  - a. Straight-through processing (buyer initiated). Immediate, exact payments directly deposited to supplier accounts by the City's provider bank; the supplier does not need to know card account details.
  - b. Supplier retrieves card account through the secure, on-line portal provided via email notifications sent by the City's commercial card provider.
- 2. Credit card. Tacoma's VISA procurement card program is supported by standard bank credit suppliers and requires that merchants abide by the VISA merchant operating rules. It provides "due immediately" payment terms.
  - a. Suppliers must be PCI-DSS compliant (secure credit card data management) and federal FACTA (sensitive card data display) compliant.
  - b. Suppliers must be set up by their card processing equipment provider (merchant acquirer) as a minimum of a Level II merchant with the ability to pass along tax, shipping and merchant references information.
- 3. Electronic Funds Transfer (EFT) by Automated Clearing House (ACH). Standard terms are net 30 for this payment method.
- 4. Check or other cash equivalent. Standard terms are net 30 for this payment method.

B. The City's preferred method of payment is by ePayables (Payment Plus) followed by credit card (aka procurement card). Suppliers may be required to have the capability of accepting the City's ePayables or credit card methods of payment. **The City of Tacoma will not accept price changes or pay additional fees when ePayables (Payment Plus) or credit card is used.**

C. The City, in its sole discretion, will determine the method of payment for goods and/or services as part of the Contract.

#### **1.42 NOTICES**

Unless otherwise specified, except for routine operational communications, which may be delivered personally or transmitted by electronic mail, all notices required by the Contract shall be in writing and shall be deemed to have been duly given if delivered personally or mailed first-class mail, postage prepaid, to Supplier's registered agent and to the applicable City department representative.

#### **1.43 INDEPENDENT CONTRACTOR STATUS**

A. Supplier is considered an independent contractor who shall at all times perform his/her duties and responsibilities and carry out all services as an independent contractor and shall never represent or construe his/her status to be that of an agent or employee of the City, nor shall Supplier be eligible for any employee benefits. No payroll or employment taxes or contributions of any kind shall be withheld or paid by the City with respect to payments to Supplier. Supplier shall be solely responsible for all said payroll or employment taxes and/or contributions including, but not limited to, FICA, FUTA, federal income tax, state personal income tax, state disability insurance tax and state unemployment insurance tax. If the City is assessed, made liable or responsible in any manner for such taxes or contributions, Supplier agrees to indemnify and hold the City harmless from all costs incurred, including attorney fees.

- B. Unless otherwise specified in writing, Supplier shall provide at its sole expense all materials, working space, and other necessities and instruments to perform its duties under the Contract. Supplier, at its sole expense, shall obtain and keep in force any and all applicable licenses, permits and tax certificates necessary to perform the Contract.

**1.44 NONDISCRIMINATION**

Supplier agrees to take all steps necessary to comply with all federal, state, and City laws and policies regarding non-discrimination and equal employment opportunities. Supplier shall not discriminate in any employment action because of race, religion, color, national origin or ancestry, sex, gender identity, sexual orientation, age, marital status, familial status, or the presence of any sensory, mental, or physical handicap. In the event of non-compliance by Supplier with any of the non-discrimination provisions of the Contract, the City shall be deemed to have cause to terminate the Contract, in whole or in part.

**1.45 FEDERAL, STATE, AND MUNICIPAL LAWS AND REGULATIONS**

Supplier shall comply with all federal, state, municipal, and/or local laws and regulations in the performance of all terms and conditions of the Contract. Supplier shall be solely responsible for all violations of the law from any cause in connection with its performance of work under the Contract.

**1.46 FEDERAL AID PROJECTS**

The City of Tacoma in accordance with Title VI of the Civil Rights Act of 1964, 78 Stat. 252, 42 U.S.C. 2000d to 2000d-4 and Title 49, Code of Federal Regulations, Department of Transportation, subtitle A, Office of the Secretary, part 21, nondiscrimination in federally assisted programs of the Department of Transportation issued pursuant to such Act, hereby notifies all bidders that it will affirmatively insure that in any contract entered into pursuant to this advertisement, disadvantaged business enterprises as defined at 49 CFR, part 26, will be afforded full opportunity to submit bids in response to this invitation and will not be discriminated against on the grounds of race, color, national origin, or sex in consideration for an award.

**1.47 REPORTS, RIGHT TO AUDIT, PERSONNEL**

- A. Reports. Supplier shall, at such times and in such form as the City may reasonably require, furnish the City with periodic status reports pertaining to the services undertaken or goods provided pursuant to the Contract.
- B. Right to Audit. Upon City's request, Supplier shall make available to City all accounts, records and documents related to the scope of work for City's inspection, auditing, or evaluation during normal business hours as reasonably needed by City to assess performance, compliance and/or quality assurance under the Contract or in satisfaction of City's public disclosure obligations as applicable.
- C. Personnel. If before, during, or after the execution of a Contract, Supplier has represented or represents to the City that certain personnel would or will be responsible for performing services pursuant to the Contract, then Supplier is obligated to ensure that said personnel perform said Contract services to the maximum extent permitted by law. Substantial organizational or personnel changes within Supplier's firm are expected to be communicated to City immediately. Failure to do so could result in termination of the Contract. This provision shall only be waived by written authorization by the City, and on a case-by-case basis.

**1.48 INSURANCE**

- A. During the course and performance of a Contract, Supplier will provide proof and maintain the insurance coverage in the amounts and in the manner specified in the City of Tacoma Insurance Requirements as is applicable to the services, products, and deliverables provided under the Contract. The City of Tacoma Insurance Requirements document, if issued, is fully incorporated into the Contract by reference.
- B. Failure by City to identify a deficiency in the insurance documentation provided by Contractor or failure of City to demand verification of coverage or compliance by Contractor with these insurance requirements shall not be construed as a waiver of Contractor's obligation to maintain such insurance.

**1.49 INDEMNIFICATION – HOLD HARMLESS**

- A. Supplier agrees to indemnify, defend, and hold harmless the City of Tacoma, its officers, agents and employees, from and against any and all liability which may accrue to or be sustained by the City of Tacoma for any claim, suit or legal action made or brought against the City for the death of or injury to persons (including Supplier's or subcontractor's employees), or damage to property involving Supplier or subcontractor(s) and their employees or agents, or for any other cause arising out of and in

connection with or incident to the performance of the Contract, except for injuries or damages caused by the sole negligence of the City. In this regard, Supplier recognizes it is waiving immunity under Industrial Insurance Law, Title 51 RCW. This indemnification includes attorney's fees and the cost of establishing the right to indemnification hereunder in favor of the City of Tacoma. By Supplier's acceptance of this order, he/she agrees that this subsection has been mutually negotiated.

B. These indemnifications shall survive the termination of a Contract.

#### **1.50 CONFLICT OF INTEREST**

No officer, employee, or agent of the City, nor any member of the immediate family of any such officer, employee or agent as defined by City ordinance, shall have any personal financial interest, direct or indirect, in a Contract, either in fact or in appearance. Supplier shall comply with all federal, state, and City conflict of interest laws, statutes, and regulations. Supplier represents that Supplier presently has no interest and shall not acquire any interest, direct or indirect, in the program to which the Contract pertains that would conflict in any manner or degree with the performance of Supplier's services and obligations hereunder. Supplier further covenants that, in performance of a Contract, no person having any such interest shall be employed. Supplier also agrees that its violation of the City's Code of Ethics contained in Chapter 1.46 of the Tacoma Municipal Code shall constitute a breach of Contract subjecting the Contract to termination.

#### **1.51 CITY OWNERSHIP OF WORK/RIGHTS IN DATA/PUBLICATIONS**

A. To the extent that Supplier creates any work subject to the protections of the Copyright Act (Title 17 U.S.C.) in its performance of a Contract, Supplier agrees to the following: The work has been specially ordered and commissioned by the City. Supplier agrees that the work is a "work made for hire" for copyright purposes, with all copyrights in the work owned by City. To the extent that the work does not qualify as a work made for hire under applicable law, and to the extent that the work includes material subject to copyright, Supplier hereby assigns to City, its successors and assigns, all right, title and interest in and to the work, including but not limited to, all copyrights, patent, trade secret and other proprietary rights, and all rights, title and interest in and to any inventions and designs embodied in the work or developed during the course of Supplier's creation of the work.

B. Supplier shall be solely responsible for obtaining releases and/or licenses for the reproduction, distribution, creation of derivative works, performance, display, or other use of copyrighted materials. Should Supplier fail to obtain said releases and/or licenses, Supplier shall indemnify, defend, and hold harmless the City for any claim resulting there from.

#### **1.52 DUTY OF CONFIDENTIALITY**

Supplier acknowledges that unauthorized disclosure of information or documentation concerning the Scope of Work hereunder may cause substantial economic loss or harm to the City. Except for disclosure of information and documents to Supplier's employees, agents, or subcontractors who have a substantial need to know such information in connection with Supplier's performance of obligations under the Contract, Supplier shall not without prior written authorization by the City allow the release, dissemination, distribution, sharing, or other publication or disclosure of information or documentation obtained, discovered, shared or produced pursuant to a Contract.

#### **1.53 DISPUTE RESOLUTION**

In the event of a dispute pertaining to a Contract, the parties agree to attempt to negotiate in good faith an acceptable resolution. If a resolution cannot be negotiated, then the parties agree to submit the dispute to voluntary non-binding mediation before pursuing other remedies. This provision does not limit the City's right to terminate.

#### **1.54 GOVERNING LAW AND VENUE**

A. Washington law shall govern the interpretation of the Contract. The state or federal courts located in Pierce County Washington shall be the sole venue of any mediation, arbitration, or litigation arising out of the Contract.

B. Respondents providing submittals from outside the legal jurisdiction of the United States of America will be subject to Tacoma's City Attorney's Office (CAO) opinion as to the viability of possible litigation pursuant to a contract resulting from this Specification. If it is the opinion of the CAO that any possible litigation would be beyond reasonable cost and/or enforcement, the submittal may be excluded from evaluation.

**1.55 ASSIGNMENT**

Supplier shall not assign, subcontract, delegate or transfer any obligation, interest or claim to or under the Contract without the prior written consent of the City.

**1.56 WAIVER**

A waiver or failure by either party to enforce any provision of the contract shall not be construed as a continuing waiver of such provisions, nor shall the same constitute a waiver of any other provision of the Contract.

**1.57 SEVERABILITY AND SURVIVAL**

If any term, condition or provision herein or incorporated by reference is declared void or unenforceable or limited in its application or effect, such event shall not affect any other provisions hereof and all other provisions shall remain fully enforceable. The provisions of the Contract, which by their sense and context are reasonably intended to survive the completion, expiration or cancellation of the Contract, shall survive termination of the Contract.

**1.58 NO CITY LIABILITY**

Neither the City, its officials, staff, agents, employees, representatives, or consultants will be liable for any claims or damages resulting from any aspect of this procurement process.

**1.59 SIGNATURES**

A signed copy of Submittals, Contract documents, including but not limited to contract amendments, contract exhibits, task orders, statements of work and other such Contract related documents, delivered by email or other means of electronic transmission including by using a third party service, which service is provided primarily for the electronic execution of electronic records, shall be deemed to have the same legal effect as delivery of an original signed copy.

## CHAPTER 1.07 EQUITY IN CONTRACTING

### Sections:

|          |                            |
|----------|----------------------------|
| 1.07.010 | Policy and purpose.        |
| 1.07.020 | Definitions.               |
| 1.07.030 | Discrimination prohibited. |
| 1.07.040 | Program administration.    |
| 1.07.050 | Certification.             |
| 1.07.060 | Program requirements.      |
| 1.07.070 | Evaluation of submittals.  |
| 1.07.080 | Contract compliance.       |
| 1.07.090 | Program monitoring.        |
| 1.07.100 | Enforcement.               |
| 1.07.110 | Remedies.                  |
| 1.07.120 | Unlawful acts.             |
| 1.07.130 | Severability.              |
| 1.07.140 | Review of program.         |

### **1.07.010 Policy and purpose.**

It is the policy of the City of Tacoma that citizens be afforded an opportunity for full participation in our free enterprise system and that historically underutilized business enterprises shall have an equitable opportunity to participate in the performance of City contracts. The City finds that in its contracting for supplies, services and public works, there has been historical underutilization of small and minority-owned businesses located in certain geographically and economically disfavored locations and that this underutilization has had a deleterious impact on the economic well-being of the City. The purpose of this chapter is to remedy the effects of such underutilization through use of narrowly tailored contracting requirements to increase opportunities for historically underutilized businesses to participate in City contracts. It is the goal of this chapter to facilitate a substantial procurement, education, and mentorship program designed to promote equitable participation by historically underutilized businesses in the provision of supplies, services, and public works to the City. It is not the purpose of this chapter to provide any person or entity with any right, privilege, or claim, not shared by the public, generally, and this chapter shall not be construed to do so. This chapter is adopted in accordance with Chapter 35.22 RCW and RCW 49.60.400.

(Ord. 28625 Ex. A; passed Nov. 5, 2019; Ord. 27867 Ex. A; passed Dec. 15, 2009)

### **1.07.020 Definitions.**

Terms used in this chapter shall have the following meanings unless defined elsewhere in the Tacoma Municipal Code (“TMC”), or unless the context in which they are used clearly indicates a different meaning.

- A. “Bid” means an offer submitted by a Respondent to furnish Supplies, Services, and/or Public Works in conformity with the Specifications and any other written terms and conditions included in a City request for such offer.
- B. “Bidder” means an entity or individual who submits a Bid, Proposal or Quote. See also “Respondent.”
- C. “City” means all Departments, Divisions and agencies of the City of Tacoma.
- D. “Contract” means any type of legally binding agreement regardless of form or title that governs the terms and conditions for procurement of Public Works and Improvements and/or Non-Public Works and Improvements Supplies and Services. Contracts include the terms and conditions found in Specifications, Bidder or Respondent Submittals, and purchase orders issued by the City. A “Contract” as used in this chapter shall include an agreement between the City and a non-profit entity to perform construction-related services for Public Works. A “Contract” does not include: (1) awards made by the City with federal/state grant or City general funds monies to a non-profit entity where the City offers assistance, guidance, or supervision on a project or program, and the recipient of the grant awards uses the grant moneys to provide services to the community; (2) sales transactions where the City sells its personal or real property; (3) a loan transaction where the City is acting as a debtor or a creditor; (4) lease, franchise; (5) agreements to use City real property (such as Licenses, Permits and Easements) and, (6) banking and other financial or investment services.
- E. “Contractor” means any Person that presents a Submittal to the City, enters into a Contract with the City, and/or performs all or any part of a Contract awarded by the City, for the provision of Public Works, or Non-Public Works and Improvements, Supplies or Services.

F. “Goals” means the annual level of participation by MWBEs and SBEs in City Contracts as established in this chapter, the Program Regulations, or as necessary to comply with applicable federal and state nondiscrimination laws and regulations. Goals for individual Contracts may be adjusted as provided for in this chapter and shall not be construed as a minimum for any particular Contract or for any particular geographical area.

G. “MWBE Certified business” (or “MWBEs”) means a business that meets the criteria set forth in Section 1.07.050 of this chapter and has been certified as meeting that criteria by the Community and Economic Development Department Program Manager.

H. “SBE Certified Business” (or “SBEs”) means a business that meets the criteria set forth in Section 1.07.050 of this chapter and has been certified as meeting that criteria by the Community and Economic Development Department-SBE Program Manager.

I. “SBE Program Manager” means the individual appointed, from time to time, by the City’s Community and Economic Development Director to administer the Program Regulations.

J. “Program Regulations” shall mean the written regulations and procedures adopted pursuant to this chapter for procurement of Supplies, Services and Public Works.

K. “Non-Public Works and Improvements” means all competitively solicited procurement of Supplies and/or Services by the City not solicited as Public Works.

L. “Person” means individuals, companies, corporations, partnerships, associations, cooperatives, any other legally recognized business entity, legal representative, trustee, or receivers.

M. “Proposal” means a written offer to furnish Supplies or Services in response to a Request for Proposals. This term may be further defined in the Purchasing Policy Manual and/or in competitive solicitations issued by the City.

N. “Public Works (or “Public Works and Improvements”)” means all work, construction, alteration, repair, or improvement other than ordinary maintenance, executed at the cost of the City, or that is by law a lien or charge on any property therein. This term includes all Supplies, materials, tools, and equipment to be furnished in accordance with the Contract for such work, construction, alteration, repair, or improvement.

O. “Quote” means a competitively solicited written offer to furnish Supplies or Services by a method of procurement that is less formalized than a Bid or a Proposal. This term may be further defined in the Purchasing Policy Manual.

P. “Respondent” means any entity or Person, other than a City employee, that provides a Submittal in response to a request for Bids, Request for Proposals, Request for Qualifications, request for quotes or other request for information, as such terms are defined in Section 1.06.251 TMC. This term includes any such entity or Person whether designated as a supplier, seller, vendor, proposer, Bidder, Contractor, consultant, merchant, or service provider that; (1) assumes a contractual responsibility to the City for provision of Supplies, Services, and/or Public Works; (2) is recognized by its industry as a provider of such Supplies, Services, and/or Public works; (3) has facilities similar to those commonly used by Persons engaged in the same or similar business; and/or (4) distributes, delivers, sells, or services a product or performs a Commercially Useful Function.

Q. “Services” means non-Public Works and Improvements services and includes professional services, personal services, and purchased services, as such terms are defined in Section 1.06.251 TMC and/or the City’s Purchasing Policy Manual.

R. “Submittal” means Bids, Proposals, Quotes, qualifications or other information submitted in response to requests for Bids, Requests for Proposals, Requests for Qualifications, requests for Quotations, or other City requests for information, as such terms are defined in Section 1.06.251 TMC.

S. “Supplies” means materials, Supplies, and other products that are procured by the City through a competitive process for either Public Works procurement or Non-Public Works and Improvements procurement unless an approved waiver has been granted by the appropriate authority.

T. “Tacoma Public Utilities Service Area” means any ZIP code in which Tacoma Public Utilities maintains infrastructure or provides retail services.

(Ord. 28625 Ex. A; passed Nov. 5, 2019; Ord. 28274 Ex. A; passed Dec. 16, 2014; Ord. 28141 Ex. A; passed Mar. 26, 2013; Ord. 27867 Ex. A; passed Dec. 15, 2009)

**1.07.030 Discrimination prohibited.**

A. No person that is engaged in the construction of public works for the City, engaged in the furnishing of laborers or craftspeople for public works of the City, or is engaged for compensation in the provision of non-public works and improvements supplies and/or services to the City, shall discriminate against any other person on the basis of race, religion, color, national origin or ancestry, sex, gender identity, sexual orientation, age, marital status, familial status, or the presence of

any sensory, mental or physical disability in employment. Such discrimination includes the unfair treatment or denial of normal privileges to a person as manifested in employment upgrades, demotions, transfers, layoffs, termination, rates of pay, recruitment of employees, or advertisement for employment.

B. The violation of the terms of RCW 49.60 or Chapter 1.29 TMC by any person that is engaged in the construction of public works for the City, is engaged in the furnishing of laborers or craftspeople for public works of the City, or is engaged for compensation in the provision of non-public works and improvements supplies and/or services shall result in the rebuttable presumption that the terms of this chapter have also been violated. Such violation may result in termination of any City contract the violator may have with the City and/or the violator's ineligibility for further City Contracts.

(Ord. 27867 Ex. A; passed Dec. 15, 2009)

**1.07.040 Program administration.**

A. The Community and Economic Development Director, or their designated Program Manager, shall be responsible for administering this chapter and obtaining compliance with respect to contracts entered into by the City and/or its contractors. It shall be the duty of the Director to pursue the objectives of this chapter by conference, conciliation, persuasion, investigation, or enforcement action, as may be necessary under the circumstances. The Director is authorized to implement an administrative and compliance program to meet these responsibilities and objectives.

B. The Director is hereby authorized to adopt and to amend administrative rules and regulations known as the Program Regulations, to properly implement and administer the provisions of this chapter. The Program Regulations shall be in conformance with City of Tacoma policies and state and federal laws and be designed to encourage achievement of the MWBE and SBE goals set forth herein. The Program Regulations shall become effective following public notice and an opportunity to comment by the public.

C. The Program Regulations adopted pursuant to this section are for the administrative and procedural guidance of the officers and employees of the City and are further expressions of the public policy of the City. The Program Regulations, when adopted, shall not confer an independent cause of action or claim for relief cognizable in the courts of the state of Washington or the United States of America to any third parties, and such provisions shall not be used as the basis for a lawsuit in any court of competent jurisdiction challenging the award of any contract by the City.

(Ord. 28141 Ex. A; passed Mar. 26, 2013; Ord. 28110 Ex. B; passed Dec. 4, 2012; Ord. 27867 Ex. A; passed Dec. 15, 2009)

**1.07.050 Certification.**

A. The Program Manager shall approve a business as a Certified Business if all of the following criteria are satisfied:

1. The business is certified as a SBE, MBE, WBE, or MWBE through the state of Washington's Office of Minority & Women Business Enterprises; and
2. The company can demonstrate that it also meets at least one of the following additional requirements:
  - a. The personal residence of the owner is located within the City of Tacoma or Tacoma Public Utilities Service Area, or
  - b. The company's business offices are located in any county of the Tacoma Public Utilities Service Area or any county adjacent to Pierce County, or
  - c. When the work is performed outside of Pierce County, the company's business offices may be located in an adjacent county in which the work is performed, or
  - d. Such additional information as the Program Manager or designee may require.

When another governmental entity has an equivalent business classification process, the City may enter into an interlocal cooperative agreement for mutual recognition of certifications.

B. Appeals. The applicant may appeal any certification determination by the Program Manager under this chapter to the Director. The appeal must be made in writing and must set forth the specific reasons for the appeal. The Director shall make a decision on the appeal request within a reasonable time, which decision shall be final unless further appeal is made to the Hearing Examiner. In that event, the Hearing Examiner Rules of Procedure for Hearings, Chapter 1.23 TMC, shall be applicable to that appeal proceeding.

(Ord. 28625 Ex. A; passed Nov. 5, 2019; Ord. 28274 Ex. A; passed Dec. 16, 2014; Ord. 28147 Ex. A; passed May 7, 2013; Ord. 28141 Ex. A; passed Mar. 26, 2013; Ord. 28110 Ex. B; passed Dec. 4, 2012; Ord. 27867 Ex. A; passed Dec. 15, 2009)



**1.07.060 Program requirements.**

A. The program shall meet the following requirements:

1. Establishment of Annual Goals. The Program Regulations adopted pursuant to this chapter shall state reasonably achievable cumulative annual goals for utilization of MWBEs and SBEs in the provision of supplies, services, and public works procured by the City. Cumulative annual goals for the participation of MWBEs and SBEs in City contracts shall be based on the number of qualified MWBEs and SBEs operating within the Tacoma Public Utilities Service Area. The dollar value of all contracts awarded by the City to MWBEs and SBEs in the procurement of supplies, services, and public works shall be counted toward the accomplishment of the applicable goal.

2. Application of Annual Goals to Contracts. The Program Manager shall consult with City departments/divisions to establish department/division specific goals for competitively solicited contracts in accordance with this chapter and the Program Regulations.

B. Waivers. City departments/divisions or the Program Manager may request to waive one or more of the requirements of this chapter as they apply to a particular contract or contracts. Waivers may be granted in any one or more of the following circumstances:

1. Emergency: The supplies, services and/or public works must be provided with such immediacy that neither the City nor the contractor can comply with the requirements herein. Such emergency and waiver must be documented by the department/division awarding the contract.

2. Not Practicable: Compliance with the requirements of this chapter would impose an unwarranted economic burden or risk to the City after consideration of existing budgetary approvals.

3. Sole source: The supplies, services, and/or public works are available from only one source, and subcontracting possibilities do not reasonably exist as determined by the finance purchasing manager.

4. Government purchasing. The City is a party to or included in a federal, state or inter-local government purchasing agreement as approved by the finance purchasing manager.

5. Lack of certified contractors: An insufficient number of qualified contractors exist to create utilization opportunities.

6. Best interests of the City: Waiver of goals is in the best interests of the City due to unforeseen circumstances, provided that said circumstances are set forth in writing by the requestor.

C. Review of Waivers. A waiver determination by the finance purchasing manager may be reviewed by the Board of Contracts and Awards (C&A Board). The C&A Board may also review a request to reduce or waive the utilization requirements based on Not Practicable or Best Interests of the City circumstances. The C&A Board shall determine whether compliance with such requirements would impose unwarranted economic burden on, or risk to, the City of Tacoma as compared with the degree to which the purposes and policies of this chapter would be furthered by requiring compliance. If the determination of the C&A Board does not resolve the matter, a final determination shall be made by the City Council or Public Utility Board, as the case may be.

(Ord. 28625 Ex. A; passed Nov. 5, 2019; Ord. 28141 Ex. A; passed Mar. 26, 2013; Ord. 27867 Ex. A; passed Dec. 15, 2009)

**1.07.070 Evaluation of submittals.**

A. All submittals for a supplies, services, or public works and improvements contracts shall be evaluated for attainment of the MWBE and SBE requirements established for that contract in accordance with this chapter and the Program Regulations.

B. The determination of MWBE and SBE usage and the calculation of MWBE or SBE requirements per this section shall include the following considerations:

1. General. The dollar value of the contract awarded by the City to a MWBE or SBE in the procurement of supplies, services, or public works shall be counted toward achievement of the respective goal.

2. Supplies. A public works and improvements contractor may receive credit toward attainment of the MWBE and/or SBE requirement(s) for expenditures for supplies obtained from an MWBE or SBE; provided such MWBE or SBE assumes the actual and contractual responsibility for delivering the supplies with its resources. The contractor may also receive credit toward attainment of the MWBE or SBE goal for the amount of the commission paid to a MWBE or SBE resulting from a supplies contract with the City; provided the MWBE or SBE performs a commercially useful function in the process.

3. Services and Public Works subcontracts. Any bid by a certified MWBE and/or SBE or a bidder that utilizes a certified MWBE and/or SBE shall receive credit toward requirement attainment based on the percentage of MWBE and/or SBE usage demonstrated in the bid. A contractor that utilizes an MWBE and/or SBE subcontractor to provide services or public works

shall receive a credit toward the contractor's attainment of the respective requirement based on the value of the subcontract with that firm.

4. Brokers, Fronts, or Similar Pass-Through Arrangements. MWBEs and/or SBEs acting as brokers, fronts, or similar pass-through arrangements (as such terms are defined in the Program Regulations) shall not count toward the requirement attainment unless the activity reflects normal industry practices and the broker performs a commercially useful function.

C. Evaluation of competitively solicited submittals for public works and improvements and for services when a requirement has been established for the contract to be awarded shall be as follows:

1. When contract award is based on price. The lowest priced bid submitted by a responsive and responsible bidder will be reviewed to determine if it meets the requirement. An MWBE and/or SBE firm may self-count utilization on such bids if they will perform the work for the scope the requirement is based upon.

a. If the low bidder meets the requirements, the bid shall be presumed the lowest and best responsible bid for contract award.

b. any bidder that does not meet the MWBE and/or SBE requirements shall be considered a non-responsible bidder unless the bidder receives a waiver from the Program Manager or C&A Board.

2. When contract award is based on qualifications or other performance criteria in addition to price. Solicitations shall utilize a scoring system that promotes participation by certified contractors. The Program Regulations may establish further requirements and procedures for final selection and contract award, including:

a. Evaluation of solicitations for Architectural and Engineering (A&E) services;

b. Evaluation and selection of submittals in response to requests for proposals; and

c. Selection of contractors from pre-qualified roster(s).

(Ord. 28625 Ex. A; passed Nov. 5, 2019; Ord. 28141 Ex. A; passed Mar. 26, 2013; Ord. 27867 Ex. A; passed Dec. 15, 2009)

#### **1.07.080 Contract compliance.**

A. The contractor awarded a contract based on MWBE or SBE participation shall, during the term of the contract, comply with the requirements established in said contract. To ensure compliance with this requirement following contract award, the following provisions apply:

1. Any substitutions for or failure to utilize MWBE or SBEs projected to be used must be approved in advance by the Program Manager. Substitution of one MWBE or SBE with another shall be allowed where there has been a refusal to execute necessary agreements by the original MWBE or SBE, a default on agreements previously made or other reasonable excuse; provided that the substitution does not increase the dollar amount of the bid.

2. Where it is shown that no other MWBE or SBE is available as a substitute and that failure to secure participation by the MWBE or SBE identified in the solicitation is not the fault of the respondent, substitution with a non-MWBE or non-SBE shall be allowed; provided, that, the substitution does not increase the dollar amount of the bid.

3. If the Program Manager determines that the contractor has not reasonably and actively pursued the use of replacement MWBEs or SBEs, such contractor shall be deemed to be in non-compliance.

B. Record Keeping. All contracts shall require contractors to maintain relevant records and information necessary to document compliance with this chapter and the contractor's utilization of MWBEs or SBEs, and shall include the right of the City to inspect such records.

(Ord. 28625 Ex. A; passed Nov. 5, 2019; Ord. 28141 Ex. A; passed Mar. 26, 2013; Ord. 27867 Ex. A; passed Dec. 15, 2009)

#### **1.07.090 Program monitoring.**

A. An Advisory Committee shall monitor compliance with all provisions of this chapter and the related Regulations. The Program Manager shall establish procedures to collect data and monitor the effect of the provisions of this chapter to assure, insofar as is practical, that the remedies set forth herein do not disproportionately favor one or more racial, gender, ethnic, or other protected groups, and that the remedies do not remain in effect beyond the point that they are required to eliminate the effects of under utilization in City contracting, unless such provisions are supported by a Disparity Study. The Program Manager shall have the authority to obtain from City departments/divisions, respondents, and contractors such relevant records, documents, and other information as is reasonably necessary to determine compliance.

B. The Program Manager shall submit an annual report to the Community and Economic Development Director, Director of Utilities, and the City Manager detailing performance of the program. The report shall document MWBE and SBE utilization

levels, waivers, proposed modifications to the program, and such other matters as may be specified in the Program Regulations.

(Ord. 28625 Ex. A; passed Nov. 5, 2019: Ord. 28141 Ex. A; passed Mar. 26, 2013: Ord. 28110 Ex. B; passed Dec. 4, 2012: Ord. 27867 Ex. A; passed Dec. 15, 2009)

**1.07.100 Enforcement.**

The Director, or designee, may investigate the employment practices of contractors to determine whether or not the requirements of this chapter have been violated. Such investigation shall be conducted in accordance with the procedures established in the Program Regulations.

(Ord. 28625 Ex. A; passed Nov. 5, 2019: Ord. 28141 Ex. A; passed Mar. 26, 2013: Ord. 28110 Ex. B; passed Dec. 4, 2012: Ord. 27867 Ex. A; passed Dec. 15, 2009)

**1.07.110 Remedies.**

A. Upon receipt of a determination of contractor violation by the Program Manager, the City Manager or Director of Utilities, as appropriate, may take the following actions, singly or together, as appropriate:

1. Forfeit the contractor's bid bond and/or performance bond;
2. Publish notice of the contractor's noncompliance;
3. Cancel, terminate, or suspend the contractor's contract, or portion thereof;
4. Withhold funds due contractor until compliance is achieved; and/or
5. Recommend appropriate action including, but not limited to, disqualification of eligibility for future contract awards by the City (debarment) per Section 1.06.279 TMC;

B. Prior to exercise of any of the foregoing remedies, the City shall provide written notice to the contractor specifying the violation and the City's intent to exercise such remedy or remedies. The notice shall provide that each specified remedy becomes effective within ten business days of receipt unless the contractor appeals said action to the Hearing Examiner pursuant to Chapter 1.23 TMC.

C. When non-compliance with this chapter or the Program Regulations has occurred, the Program Manager and the department/division responsible for enforcement of the contract may allow continuation of the contract upon the contractor's development of a plan for compliance acceptable to the Director.

(Ord. 28625 Ex. A; passed Nov. 5, 2019: Ord. 28141 Ex. A; passed Mar. 26, 2013: Ord. 28110 Ex. B; passed Dec. 4, 2012: Ord. 27867 Ex. A; passed Dec. 15, 2009)

**1.07.120 Unlawful acts.**

It shall be unlawful for any Person to willfully prevent or attempt to prevent, by intimidation, threats, coercion, or otherwise, any Person from complying with the provisions of this chapter.

(Ord. 27867 Ex. A; passed Dec. 15, 2009)

**1.07.130 Severability.**

If any section of this chapter or its application to any Person or circumstance is held invalid by a court of competent jurisdiction, then the remaining sections of this chapter, or the application of the provisions to other Persons or circumstances, shall not be affected.

(Ord. 27867 Ex. A; passed Dec. 15, 2009)

**1.07.140 Review of program.**

This chapter shall be in effect through and until December 31, 2024, unless the City Council shall determine at an earlier date that the requirements of this chapter are no longer necessary. If this chapter has not been repealed by July 1, 2024, the City Council shall determine by the end of that year whether substantial effects or lack of opportunity of MWBEs and/or SBEs remain true in the relevant market and whether, and for how long, some or all of the requirements of this chapter should remain in effect.

(Ord. 28625 Ex. A; passed Nov. 5, 2019: Ord. 28274 Ex. A; passed Dec. 16, 2014: Ord. 28141 Ex. A; passed Mar. 26, 2013: Ord. 27867 Ex. A; passed Dec. 15, 2009)

