

Document Title	Specification of ADC Driver
Document Owner	AUTOSAR
Document Responsibility	AUTOSAR
Document Identification No	010
Document Status	Final
Part of AUTOSAR Standard	Classic Platform
Part of Standard Release	4.3.1

Document Change History			
Date	Release	Changed by	Change Description
2017-12-08	4.3.1	AUTOSAR Release Management	<ul style="list-style-type: none"> • Runtime error introduced; part of development errors changed into runtime errors • Exclude delta sigma ADC hardware from scope of ADC driver • Minor modifications in API Adc_SetupResultBuffer and Adc_ReadGroup • Header file structure update • Editorial changes
2016-11-30	4.3.0	AUTOSAR Release Management	<ul style="list-style-type: none"> • Variant-Post-Build requirements removed • Variant specific requirements for initialization API removed • Error classification table update • Editorial changes
2015-07-31	4.2.2	AUTOSAR Release Management	<ul style="list-style-type: none"> • DET changed from 'Development Error Tracer' to 'Default Error Tracer'.
2014-10-31	4.2.1	AUTOSAR Release Management	<ul style="list-style-type: none"> • AdcGroupId is changed to pre-compile time value in all variants.
2014-03-31	4.1.3	AUTOSAR Release Management	<ul style="list-style-type: none"> • "Common" Published Information corrected • ARXML adaptations
2013-10-31	4.1.2	AUTOSAR Release Management	<ul style="list-style-type: none"> • Editorial changes • Removed chapter(s) on change documentation

Document Change History			
Date	Release	Changed by	Change Description
2013-03-15	4.1.1	AUTOSAR Administration	<ul style="list-style-type: none"> • API and configuration parameter added to support ECU degradation concept • Common Published Information removed • BSW General rework
2011-12-22	4.0.3	AUTOSAR Administration	<ul style="list-style-type: none"> • Requirement of ADC group status to be available for debugging removed
2009-12-18	4.0.1	AUTOSAR Administration	<ul style="list-style-type: none"> • ADC444 add Adc_ResultAlignmentType • SWS_Adc_00124 version number check correction • SWS_Adc_00337 reformulation • Limitation of ranges for AdcPrescale and AdcChannelId • InstanceId removed • ADC324 removed, • SWS_Adc_00458 introduced , DET for Adc_GetVersionInfo
2010-02-02	3.1.4	AUTOSAR Administration	<ul style="list-style-type: none"> • Limit checking support included; new config parameters added AdcEnableLimitCheck, AdcChannelLimitCheck, AdcChannelLowLimit, AdcChannelHighLimit and AdcChannelRangeSelect introduced. • ADC debug support added. • ADC configurable ADC data buffer alignment added. • Min/max values for AdcGroupId, AdcStreamingNumSamples, AdcMaxChannelResolution and AdcChannelResolution added. • Legal disclaimer revised
2008-08-13	3.1.1	AUTOSAR Administration	<ul style="list-style-type: none"> • Legal disclaimer revised
2008-02-01	3.0.2	AUTOSAR Administration	<ul style="list-style-type: none"> • Correction of: Table of Content

Document Change History			
Date	Release	Changed by	Change Description
2007-12-21	3.0.1	AUTOSAR Administration	<ul style="list-style-type: none"> • New API Adc_ReadGroup introduced • Removed API Adc_ValueReadGroup • Modified API Adc_GetStreamLastPointer • New configuration parameter added • *AdcGroupReplacement • *AdcPriorityImplementation • *AdcResultBufferPointer • *AdcEnableQueuing • *AdcReadGroupApi • Configuration parameter removed • *ADC_GRP_PRIORITY_IMP_LEVEL • *ADC_STREAMING_BUFFER_POINTER • Priority mechanism improved • Type definitions modified and extended • State diagrams added • New state transitions defined • New state ADC_STREAM_COMPLETED added • State based requirements added • Sequence charts modified and extended • ADC buffer access mode example added • New DET's defined • *new DET ADC_E_ALREADY_INITIALIZED • *new DET ADC_E_PARAM_CONFIG • *new DET ADC_E_BUFFER_UNINIT

Document Change History			
Date	Release	Changed by	Change Description
			<ul style="list-style-type: none"> Part of existing requirements reformulated Added new requirement ID's SWS_Adc_00321-SWS_Adc_00432 Document meta information extended Small layout adaptations made
2007-01-24	2.1.15	AUTOSAR Administration	<ul style="list-style-type: none"> "Advice for users" revised "Revision Information" added
2006-11-28	2.1.14	AUTOSAR Administration	<ul style="list-style-type: none"> Removed the "On Demand" functionality. Related services not available anymore. Removed the "Gated Continuous" conversion mode. Related services not available anymore. Removed the distinction between internal and external hardware trigger. Introduced a priority mechanism for channel groups for allowing channel groups with higher priority to interrupt ongoing conversions (can cover also the "On demand" functionality). Reworked the "Streaming Access Mode". A dedicated data structure for the returned values of a conversion is now clearly defined. Conversion values access now allowed only through channel groups (no single channel value available. Related service not available anymore).
2006-05-16	2.0	AUTOSAR Administration	<ul style="list-style-type: none"> Document structure adapted to common Release 2.0 SWS Template.
2005-05-31	1.0	AUTOSAR Administration	<ul style="list-style-type: none"> Initial Release.

Disclaimer

This work (specification and/or software implementation) and the material contained in it, as released by AUTOSAR, is for the purpose of information only. AUTOSAR and the companies that have contributed to it shall not be liable for any use of the work.

The material contained in this work is protected by copyright and other types of intellectual property rights. The commercial exploitation of the material contained in this work requires a license to such intellectual property rights.

This work may be utilized or reproduced without any modification, in any form or by any means, for informational purposes only. For any other purpose, no part of the work may be utilized or reproduced, in any form or by any means, without permission in writing from the publisher.

The work has been developed for automotive applications only. It has neither been developed, nor tested for non-automotive applications.

The word AUTOSAR and the AUTOSAR logo are registered trademarks.

Table of Contents

1	Introduction and functional overview	9
2	Acronyms and abbreviations	10
3	Related documentation	11
3.1	Input documents.....	11
3.2	Related specification	11
4	Constraints and assumptions	13
4.1	Limitations	13
4.2	Applicability to car domains.....	13
5	Dependencies to other modules.....	14
5.1	File structure	14
5.1.1	Header file structure.....	14
6	Requirements traceability.....	16
7	Functional specification	24
7.1	General behavior.....	24
7.1.1	Background & Rationale	24
7.1.2	Requirements	24
7.1.3	ADC Buffer Access Mode Example	32
7.2	Conversion processing and interaction	35
7.2.1	Background & Rationale	35
7.2.2	Requirements	36
7.3	State Diagrams	37
7.3.1	ADC State Diagram for One-Shot/Continuous Group Conversion Mode.....	37
7.3.2	ADC State Diagram for HW/SW Trigger in One-Shot Group Conversion Mode.....	38
7.3.3	ADC State Diagram for SW Trigger in Continuous Conversion Mode	39
7.3.4	ADC State Diagram for One-Shot Conversion Mode, Software Trigger Source, Single Access Mode.....	40
7.3.5	ADC State Diagram for One-Shot Conversion, Hardware Trigger Source, Single Access Mode	41
7.3.6	ADC State Diagram for One-Shot Conversion Mode, Hardware Trigger Source, Linear and Circular Streaming Access Mode	42
7.3.7	ADC State Diagram for Continuous Conversion Mode, Software Trigger Source, Single Access Mode.....	43
7.3.8	ADC State Diagram for Continuous Conversion Mode, Software Trigger Source, Linear and Circular Streaming Access Mode	44
7.4	Support and management of HW low power states	45
7.4.1	Background.....	45
7.4.2	Requirements	45
7.5	Version check.....	47
7.5.1	Background & Rationale	47
7.6	Error detection.....	50

7.6.1	Development Error	50
7.6.2	Runtime Error	52
7.6.3	Transient Faults	52
8	API specification.....	54
8.1	Imported types	54
8.2	Type definitions	54
8.2.1	Adc_ConfigType	54
8.2.2	Adc_ChannelType	54
8.2.3	Adc_GroupType.....	54
8.2.4	Adc_ValueGroupType.....	54
8.2.5	Adc_PrescaleType.....	55
8.2.6	Adc_ConversionTimeType.....	55
8.2.7	Adc_SamplingTimeType.....	56
8.2.8	Adc_ResolutionType.....	56
8.2.9	Adc_StatusType	56
8.2.10	Adc_TriggerSourceType	56
8.2.11	Adc_GroupConvModeType	57
8.2.12	Adc_GroupPriorityType.....	57
8.2.13	Adc_GroupDefType	57
8.2.14	Adc_StreamNumSampleType	57
8.2.15	Adc_StreamBufferModeType.....	58
8.2.16	Adc_GroupAccessModeType	58
8.2.17	Adc_HwTriggerSignalType	58
8.2.18	Adc_HwTriggerTimerType	58
8.2.19	Adc_PriorityImplementationType	59
8.2.20	Adc_GroupReplacementType.....	59
8.2.21	Adc_ChannelRangeSelectType	59
8.2.22	Adc_ResultAlignmentType.....	60
8.2.23	Adc_PowerStateType	60
8.2.24	Adc_PowerStateRequestResultType.....	60
8.3	Function definitions	60
8.3.1	Adc_Init.....	60
8.3.2	Adc_SetupResultBuffer.....	62
8.3.3	Adc_DeInit	63
8.3.4	Adc_StartGroupConversion	64
8.3.5	Adc_StopGroupConversion	67
8.3.6	Adc_ReadGroup	69
8.3.7	Adc_EnableHardwareTrigger.....	71
8.3.8	Adc_DisableHardwareTrigger.....	73
8.3.9	Adc_EnableGroupNotification	74
8.3.10	Adc_DisableGroupNotification	75
8.3.11	Adc_GetGroupStatus.....	76
8.3.12	Adc_GetStreamLastPointer	79
8.3.13	Adc_GetVersionInfo.....	81
8.3.14	Adc_SetPowerState.....	81
8.3.15	Adc_GetCurrentPowerState	83
8.3.16	Adc_GetTargetPowerState	84
8.3.17	Adc_PreparePowerState	85
8.4	Call-back Notifications.....	86

8.5	Scheduled functions	86
8.5.1	Adc_Main_PowerTransitionManager	86
8.6	Expected Interfaces	88
8.6.1	Mandatory Interfaces	88
8.6.2	Optional Interfaces	88
8.6.3	Configurable interfaces	88
9	Sequence diagrams	91
9.1	Initialization of the ADC Driver	91
9.2	De-Initialization of the ADC Driver	91
9.3	Software triggered One-Shot conversion without notification	91
9.4	Software triggered continuous conversion with notification	93
9.5	Hardware triggered One-Shot conversion with notification	94
9.6	HW Trigger - One-Shot conversion - Linear Streaming	95
9.7	No Priority Mechanism – No Queuing	96
9.8	No Priority Mechanism – SW Queuing	97
9.9	HW_SW Priority Mechanism – SW Queuing	98
9.10	HW Priority Mechanism – HW Queuing	99
9.11	HW_SW Priority Mechanism – HW/SW Queuing	100
10	Configuration specification	102
10.1	How to read this chapter	102
10.2	Configuration and configuration parameters	102
10.2.1	Adc	102
10.2.2	AdcGeneral	103
10.2.3	AdcPowerStateConfig	107
10.2.4	AdcConfigSet	108
10.2.5	AdcChannel	108
10.2.6	AdcGroup	113
10.2.7	AdcHwUnit	119
10.3	Published information	120
10.3.1	AdcPublishedInformation	120
10.4	Configuration of symbolic names	121
11	Not applicable requirements	122

1 Introduction and functional overview

This specification describes the functionality, API and the configuration of the AUTOSAR Basic Software module ADC Driver. The ADC driver is targeting Successive Approximation ADC Hardware. Delta Sigma ADC conversion use cases are out of scope of this specification.

The ADC module initializes and controls the internal Analogue Digital Converter Unit(s) of the microcontroller. It provides services to start and stop a conversion respectively to enable and disable the trigger source for a conversion. Furthermore it provides services to enable and disable a notification mechanism and routines to query the status and result of a conversion.

The ADC module works on so called ADC Channel Groups, which are build from so called ADC Channels. An ADC Channel Group combines an analogue input pin (ADC Channel), the needed ADC circuitry itself and conversion result register into an entity that can be individually controlled and accessed via the ADC module.

2 Acronyms and abbreviations

Abbreviation / Acronym:	Description:
DEM	Diagnostic Event Manager
DET	Default Error Tracer
ADC	Analogue Digital Converter
MCU	Microcontroller Unit
API	Application Programming Interface
HW	Hardware
SW	Software
ADC HW Unit	Represents a microcontroller input electronic device that includes all parts necessary to perform an “analogue to digital conversion”.
ADC Module	ADC Basic Software module ADC Driver, abbreviated also with ADC Driver
ADC Channel	Represents a logical ADC entity bound to one port pin. Multiple ADC entities can be mapped to the same port pin.
ADC Channel Group	A group of ADC channels linked to the same ADC hardware unit (e.g. one Sample&Hold and one A/D converter). The conversion of the whole group is triggered by one trigger source.
ADC Result Buffer (ADC Streaming Buffer, ADC Stream Buffer)	The user of the ADC Driver has to provide a buffer for every group. This buffer can hold multiple samples of the same group channel if streaming access mode is selected. If single access mode is selected one sample of each group channel is held in the buffer.
Software Trigger	Software API call that starts the conversion of one ADC channel group or a continuous series of ADC channel group conversions.
Hardware Trigger	ADC internal trigger signal that starts one conversion of an ADC channel group. ADC hardware trigger are generated internally in the ADC hardware, e.g. based on an ADC timer or a trigger edge signal. The trigger hardware is tightly coupled or integrated in the ADC hardware. No software is required to start the ADC channel group conversion after the hardware trigger is detected. <i>Note: If the ADC hardware does not support hardware trigger, a similar behavior can be realized with software trigger in combination with the GPT/ICU driver. E.g. in a GPT timer notification function a software triggered ADC channel group conversion can be started.</i>
Conversion Mode	<u>One-Shot:</u> The conversion of an ADC channel group is performed once after a trigger and the results are written to the assigned result buffer. A trigger can be a software API call or a hardware event. <u>Continuous:</u> The conversions of an ADC channel group are performed continuously after a software API call (start) and the results are written to the assigned result buffer. The conversions themselves are running automatically (hardware/interrupt controlled). The Continuous conversions can be stopped by a software API call (stop).
Sampling Time, Sample Time	Time during which the analogue value is sampled (e.g. loading the capacitor, ...)
Conversion Time	Time during which the sampled analogue value is converted into digital representation.
Acquisition Time	Sample Time + Conversion Time.

Table 1: Acronyms and abbreviations used in this document

3 Related documentation

3.1 Input documents

- [1] General Requirements on Basic Software Modules,
AUTOSAR_SRS_BSWGeneral.pdf
- [2] General Requirements on SPAL,
AUTOSAR_SRS_SPALGeneral.pdf
- [3] Specification of Standard Types,
AUTOSAR_SWS_StandardTypes.pdf
- [4] List of Basic Software Modules,
AUTOSAR_TR_BSWModuleList.pdf
- [5] Specification of Diagnostic Event Manager,
AUTOSAR_SWS_DiagnosticEventManager.pdf
- [6] Specification of Default Error Tracer,
AUTOSAR_SWS_DefaultErrorTracer.pdf
- [7] Requirements on ADC Driver,
AUTOSAR_SRS_ADCCDriver.pdf
- [8] Specification of ECU Configuration,
AUTOSAR_TPS_ECUConfiguration.pdf
- [9] Layered Software Architecture,
AUTOSAR_EXP_LayeredSoftwareArchitecture.pdf
- [10] Specification of ECU State Manager,
AUTOSAR_SWS_ECUCStateManager.pdf
- [11] Specification of I/O Hardware Abstraction,
AUTOSAR_SWS_IOHardwareAbstraction.pdf
- [12] Basic Software Module Description Template,
AUTOSAR_TPS_BSWModuleDescriptionTemplate.pdf
- [13] General Specification of Basic Software Modules
AUTOSAR_SWS_BSWGeneral.pdf

3.2 Related specification

AUTOSAR provides a General Specification on Basic Software modules [13] (SWS BSW General), which is also valid for ADC Driver.

Thus, the specification SWS BSW General shall be considered as additional and required specification for ADC Driver.

4 Constraints and assumptions

4.1 Limitations

Power State Control APIs are implementable only if the MCAL driver owns the complete underlying HW peripheral i.e. the HW peripheral is not accessed by other MCAL modules.

4.2 Applicability to car domains

No restrictions.

5 Dependencies to other modules

Module MCU Driver

The Microcontroller Unit Driver (MCU Driver) is primarily responsible for initializing and controlling the chip's internal clock sources and clock prescalers. The clock frequency may affect:

- Trigger frequency
- Conversion time
- Sampling time

Module PORT driver

The PORT module shall configure the port pins used by the ADC module. Both analogue input pins and external trigger pins have to be considered.

5.1 File structure

5.1.1 Header file structure

[SWS_Adc_00267] [The file include structure shall be as follows.

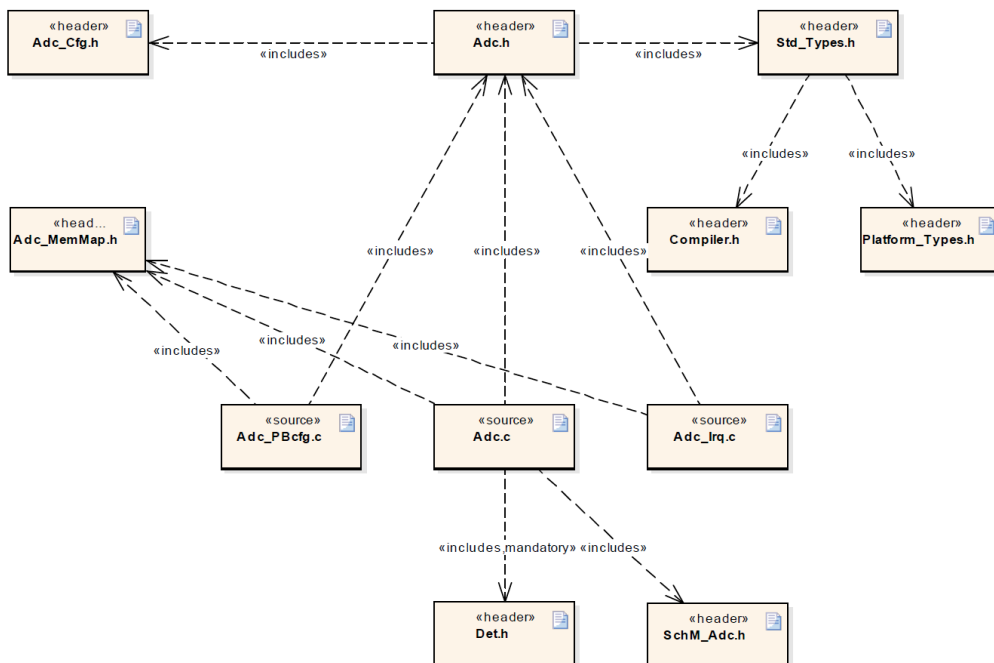


Figure 1: ADC Driver file include structure

] (SRS_BSW_00381, SRS_BSW_00412, SRS_BSW_00383, SRS_BSW_00415, SRS_BSW_00300, SRS_BSW_00346, SRS_BSW_00158, SRS_BSW_00314, SRS_BSW_00348, SRS_BSW_00353, SRS_BSW_00361

Note:

By this inclusion the APIs to report errors as well as the required Event Id symbols are included. This specification defines the name of the Event Id symbols which are provided by XML to the DEM configuration tool. The DEM configuration tool assigns ECU dependent values to the Event Id symbols and publishes the symbols in Dem_IntErrId.h.

6 Requirements traceability

Requirement	Description	Satisfied by
SRS_Adc_12280	The ADC Driver shall allow a specific result access modes for each ADC Channel Group	SWS_Adc_00140, SWS_Adc_00382, SWS_Adc_00383
SRS_Adc_12283	The ADC driver shall mask out information bits from the conversion result not belonging to the ADC value	SWS_Adc_00122
SRS_Adc_12291	The ADC Driver shall provide a service for querying the status of an ADC Channel Group	SWS_Adc_00219, SWS_Adc_00220, SWS_Adc_00221, SWS_Adc_00222, SWS_Adc_00224, SWS_Adc_00226, SWS_Adc_00325, SWS_Adc_00326, SWS_Adc_00327, SWS_Adc_00328, SWS_Adc_00329, SWS_Adc_00330, SWS_Adc_00331
SRS_Adc_12292	If the ADC provides signed values, the ADC driver shall put the sign bit into the MSB of the return value	SWS_Adc_00113, SWS_Adc_00214
SRS_Adc_12307	The ADC Driver shall support a specific basic static configurations per channel	SWS_Adc_00099
SRS_Adc_12317	The ADC Driver shall provide notification functions to inform the caller about the end of a conversion for a Channel Group	SWS_Adc_00104, SWS_Adc_00155, SWS_Adc_00156, SWS_Adc_00157
SRS_Adc_12318	The ADC driver shall provide a service to enable and disable each notification function separately	SWS_Adc_00057, SWS_Adc_00077, SWS_Adc_00157, SWS_Adc_00058, SWS_Adc_00156
SRS_Adc_12364	The ADC driver shall provide services to start and stop the conversion of an ADC Channel Group for all conversion modes	SWS_Adc_00060, SWS_Adc_00145, SWS_Adc_00157, SWS_Adc_00357, SWS_Adc_00386, SWS_Adc_00061, SWS_Adc_00146, SWS_Adc_00356, SWS_Adc_00385
SRS_Adc_12447	The ADC Driver shall allow to group ADC channels that belong to the same ADC HW unit	SWS_Adc_00090, SWS_Adc_00098, SWS_Adc_00100, SWS_Adc_00104, SWS_Adc_00280, SWS_Adc_00091, SWS_Adc_00099, SWS_Adc_00101, SWS_Adc_00277
SRS_Adc_12802	The ADC driver shall provide (for streaming access mode) a service to identify most recent sample and number of available samples of a channel group	SWS_Adc_00214, SWS_Adc_00219, SWS_Adc_00216
SRS_Adc_12817	The ADC Driver shall allow for each ADC channel group the	SWS_Adc_00146, SWS_Adc_00279, SWS_Adc_00283, SWS_Adc_00356

	static configuration of exactly one trigger source	SWS_Adc_00357
SRS_Adc_12818	The ADC Driver shall allow assigning one ADC channel to more than one ADC Channel Group	SWS_Adc_00092
SRS_Adc_12819	The ADC Driver shall provide a synchronous service for reading the last valid conversion results of the selected channel group	SWS_Adc_00113, SWS_Adc_00318, SWS_Adc_00122,
SRS_Adc_12820	The ADC driver shall allow the configuration of a priority level for each channel group	SWS_Adc_00288, SWS_Adc_00310, SWS_Adc_00341, SWS_Adc_00289, SWS_Adc_00340,
SRS_Adc_12822	The structure containing the results of a channel group conversion shall be generated with a uniform dimension	SWS_Adc_00320
SRS_Adc_12823	The ADC driver shall provide services to enable and disable HW triggers for each channel group	SWS_Adc_00114, SWS_Adc_00144, SWS_Adc_00281, SWS_Adc_00282, SWS_Adc_00116, SWS_Adc_00273,
SRS_Adc_12824	The result alignment shall be configurable between right-alignment and left-alignment	SWS_Adc_00113
SRS_Adc_12825	The results of the conversion of a channel group configured in streaming access mode shall be returned into a buffer with a fixed number of elements	SWS_Adc_00319
SRS_BSW_00005	Modules of the μ C Abstraction Layer (MCAL) may not have hard coded horizontal interfaces	SWS_Adc_00460
SRS_BSW_00006	The source code of software modules above the μ C Abstraction Layer (MCAL) shall not be processor and compiler dependent.	SWS_Adc_00460
SRS_BSW_00007	All Basic SW Modules written in C language shall conform to the MISRA C 2012 Standard.	SWS_Adc_00460
SRS_BSW_00009	All Basic SW Modules shall be documented according to a common standard.	SWS_Adc_00460
SRS_BSW_00010	The memory consumption of all Basic SW Modules shall be documented for a defined configuration for all supported platforms.	SWS_Adc_00460

SRS_BSW_00101	The Basic Software Module shall be able to initialize variables and hardware in a separate initialization function	SWS_Adc_00054
SRS_BSW_00160	Configuration files of AUTOSAR Basic SW module shall be readable for human beings	SWS_Adc_00460
SRS_BSW_00161	The AUTOSAR Basic Software shall provide a microcontroller abstraction layer which provides a standardized interface to higher software layers	SWS_Adc_00460
SRS_BSW_00162	The AUTOSAR Basic Software shall provide a hardware abstraction layer	SWS_Adc_00460
SRS_BSW_00164	The Implementation of interrupt service routines shall be done by the Operating System, complex drivers or modules	SWS_Adc_00460
SRS_BSW_00167	All AUTOSAR Basic Software Modules shall provide configuration rules and constraints to enable plausibility checks	SWS_Adc_00460
SRS_BSW_00168	SW components shall be tested by a function defined in a common API in the Basis-SW	SWS_Adc_00460
SRS_BSW_00170	The AUTOSAR SW Components shall provide information about their dependency from faults, signal qualities, driver demands	SWS_Adc_00460
SRS_BSW_00171	Optional functionality of a Basic-SW component that is not required in the ECU shall be configurable at pre-compile-time	SWS_Adc_00120, SWS_Adc_00228, SWS_Adc_00260, SWS_Adc_00266 SWS_Adc_00121, SWS_Adc_00259, SWS_Adc_00265,
SRS_BSW_00301	All AUTOSAR Basic Software Modules shall only import the necessary information	SWS_Adc_00460
SRS_BSW_00302	All AUTOSAR Basic Software Modules shall only export information needed by other modules	SWS_Adc_00460
SRS_BSW_00306	AUTOSAR Basic Software Modules shall be compiler and platform independent	SWS_Adc_00460
SRS_BSW_00307	Global variables naming	SWS_Adc_00460

	convention	
SRS_BSW_00308	AUTOSAR Basic Software Modules shall not define global data in their header files, but in the C file	SWS_Adc_00460
SRS_BSW_00312	Shared code shall be reentrant	SWS_Adc_00460
SRS_BSW_00323	All AUTOSAR Basic Software Modules shall check passed API parameters for validity	SWS_Adc_00125, SWS_Adc_00126, SWS_Adc_00128, SWS_Adc_00129, SWS_Adc_00131, SWS_Adc_00152, SWS_Adc_00225, SWS_Adc_00241
SRS_BSW_00325	The runtime of interrupt service routines and functions that are running in interrupt context shall be kept short	SWS_Adc_00460
SRS_BSW_00328	All AUTOSAR Basic Software Modules shall avoid the duplication of code	SWS_Adc_00460
SRS_BSW_00330	It shall be allowed to use macros instead of functions where source code is used and runtime is critical	SWS_Adc_00460
SRS_BSW_00334	All Basic Software Modules shall provide an XML file that contains the meta data	SWS_Adc_00460
SRS_BSW_00335	Status values naming convention	SWS_Adc_00221, SWS_Adc_00222, SWS_Adc_00224
SRS_BSW_00336	Basic SW module shall be able to shutdown	SWS_Adc_00111
SRS_BSW_00341	Module documentation shall contain all needed informations	SWS_Adc_00460
SRS_BSW_00342	It shall be possible to create an AUTOSAR ECU out of modules provided as source code and modules provided as object code, even mixed	SWS_Adc_00460
SRS_BSW_00343	The unit of time for specification and configuration of Basic SW modules shall be preferably in physical time unit	SWS_Adc_00460
SRS_BSW_00344	BSW Modules shall support link-time configuration	SWS_Adc_00460
SRS_BSW_00347	A Naming separation of different instances of BSW drivers shall be in place	SWS_Adc_00460
SRS_BSW_00357	For success/failure of an API call a standard return type shall be defined	SWS_Adc_00460
SRS_BSW_00359	All AUTOSAR Basic Software	SWS_Adc_00082

	Modules callback functions shall avoid return types other than void if possible	
SRS_BSW_00360	AUTOSAR Basic Software Modules callback functions are allowed to have parameters	SWS_Adc_00082
SRS_BSW_00371	The passing of function pointers as API parameter is forbidden for all AUTOSAR Basic Software Modules	SWS_Adc_00460
SRS_BSW_00373	The main processing function of each AUTOSAR Basic Software Module shall be named according the defined convention	SWS_Adc_00460
SRS_BSW_00375	Basic Software Modules shall report wake-up reasons	SWS_Adc_00460
SRS_BSW_00386	The BSW shall specify the configuration for detecting an error	SWS_Adc_00107, SWS_Adc_00126, SWS_Adc_00129, SWS_Adc_00133, SWS_Adc_00137, SWS_Adc_00154, SWS_Adc_00165, SWS_Adc_00218, SWS_Adc_00241 SWS_Adc_00125, SWS_Adc_00128, SWS_Adc_00131, SWS_Adc_00136, SWS_Adc_00152, SWS_Adc_00164, SWS_Adc_00166, SWS_Adc_00225,
SRS_BSW_00398	The link-time configuration is achieved on object code basis in the stage after compiling and before linking	SWS_Adc_00460
SRS_BSW_00405	BSW Modules shall support multiple configuration sets	SWS_Adc_00054
SRS_BSW_00406	A static status variable denoting if a BSW module is initialized shall be initialized with value 0 before any APIs of the BSW module is called	SWS_Adc_00107, SWS_Adc_00294, SWS_Adc_00297, SWS_Adc_00299, SWS_Adc_00301, SWS_Adc_00302 SWS_Adc_00154, SWS_Adc_00295, SWS_Adc_00298, SWS_Adc_00300,
SRS_BSW_00413	An index-based accessing of the instances of BSW modules shall be done	SWS_Adc_00460
SRS_BSW_00414	Init functions shall have a pointer to a configuration structure as single parameter	SWS_Adc_00054
SRS_BSW_00416	The sequence of modules to be initialized shall be configurable	SWS_Adc_00460
SRS_BSW_00417	Software which is not part of the SW-C shall report error events only after the DEM is fully operational.	SWS_Adc_00460
SRS_BSW_00423	BSW modules with	SWS_Adc_00460

	AUTOSAR interfaces shall be describable with the means of the SW-C Template	
SRS_BSW_00424	BSW module main processing functions shall not be allowed to enter a wait state	SWS_Adc_00460
SRS_BSW_00425	The BSW module description template shall provide means to model the defined trigger conditions of schedulable objects	SWS_Adc_00460
SRS_BSW_00426	BSW Modules shall ensure data consistency of data which is shared between BSW modules	SWS_Adc_00460
SRS_BSW_00427	ISR functions shall be defined and documented in the BSW module description template	SWS_Adc_00460
SRS_BSW_00428	A BSW module shall state if its main processing function(s) has to be executed in a specific order or sequence	SWS_Adc_00460
SRS_BSW_00429	Access to OS is restricted	SWS_Adc_00460
SRS_BSW_00432	Modules should have separate main processing functions for read/receive and write/transmit data path	SWS_Adc_00460
SRS_BSW_00433	Main processing functions are only allowed to be called from task bodies provided by the BSW Scheduler	SWS_Adc_00460
SRS_SPAL_00157	All drivers and handlers of the AUTOSAR Basic Software shall implement notification mechanisms of drivers and handlers	SWS_Adc_00057, SWS_Adc_00058, SWS_Adc_00082, SWS_Adc_00083, SWS_Adc_00104
SRS_SPAL_12056	All driver modules shall allow the static configuration of notification mechanism	SWS_Adc_00080, SWS_Adc_00085, SWS_Adc_00084,
SRS_SPAL_12057	All driver modules shall implement an interface for initialization	SWS_Adc_00054
SRS_SPAL_12063	All driver modules shall only support raw value mode	SWS_Adc_00113
SRS_SPAL_12064	All driver modules shall raise an error if the change of the operation mode leads to degradation of running operations	SWS_Adc_00460
SRS_SPAL_12067	All driver modules shall set	SWS_Adc_00460

	their wake-up conditions depending on the selected operation mode	
SRS_SPAL_12068	The modules of the MCAL shall be initialized in a defined sequence	SWS_Adc_00460
SRS_SPAL_12069	All drivers of the SPAL that wake up from a wake-up interrupt shall report the wake-up reason	SWS_Adc_00460
SRS_SPAL_12077	All drivers shall provide a non blocking implementation	SWS_Adc_00460
SRS_SPAL_12078	The drivers shall be coded in a way that is most efficient in terms of memory and runtime resources	SWS_Adc_00460
SRS_SPAL_12092	The driver's API shall be accessed by its handler or manager	SWS_Adc_00460
SRS_SPAL_12125	All driver modules shall only initialize the configured resources	SWS_Adc_00056
SRS_SPAL_12129	The ISRs shall be responsible for resetting the interrupt flags and calling the according notification function	SWS_Adc_00078
SRS_SPAL_12163	All driver modules shall implement an interface for de-initialization	SWS_Adc_00110, SWS_Adc_00111
SRS_SPAL_12169	All driver modules that provide different operation modes shall provide a service for mode selection	SWS_Adc_00460
SRS_SPAL_12265	Configuration data shall be kept constant	SWS_Adc_00460
SRS_SPAL_12267	Wakeup sources shall be initialized by MCAL drivers and/or the MCU driver	SWS_Adc_00460
SRS_SPAL_12448	All driver modules shall have a specific behavior after a development error detection	SWS_Adc_00107, SWS_Adc_00125, SWS_Adc_00126, SWS_Adc_00128, SWS_Adc_00129, SWS_Adc_00131, SWS_Adc_00133, SWS_Adc_00136, SWS_Adc_00137, SWS_Adc_00152, SWS_Adc_00154, SWS_Adc_00164, SWS_Adc_00165, SWS_Adc_00166, SWS_Adc_00225, SWS_Adc_00241
SRS_SPAL_12461	Specific rules regarding initialization of controller registers shall apply to all driver implementations	SWS_Adc_00054, SWS_Adc_00246, SWS_Adc_00247, SWS_Adc_00248, SWS_Adc_00249, SWS_Adc_00250
SRS_SPAL_12463	The register initialization	SWS_Adc_00460

	settings shall be combined and forwarded	
--	---	--

7 Functional specification

7.1 General behavior

7.1.1 Background & Rationale

The table below shows a list of possible desired functionalities of an ADC user and in which way they are provided by the ADC module. Furthermore the table also depicts a possible realization and the mapping of these functionalities to the capabilities of a commercial microcontroller (C16x).

<i>Desired Functionality</i>	<i>ADC Driver Function</i>	<i>Example: C16x Derivate Wording</i>
Just one conversion result of a single channel.	Software triggered one-shot conversion where the converted group consists of exactly one channel.	Fixed channel, single conversion, software trigger.
Cyclic conversion of a single channel.	Hardware triggered one-shot conversion where the converted group consists of exactly one channel.	Fixed channel, single conversion, hardware trigger.
Repeated conversion of a single channel.	Continuous conversion where the converted group consists of exactly one channel.	Fixed channel, continuous conversion.
Just one conversion result of each channel within a group.	Software triggered one-shot conversion where the converted group consists of more than one channel.	Auto scan, single conversion, software trigger.
Cyclic conversion of each channel within a group.	Hardware triggered one-shot conversion where the converted group consists of more than one channel.	Auto scan, single conversion, hardware trigger.
Repeated conversion of each channel within a group.	Continuous conversion where the converted group consists of more than one channel.	Auto scan, continuous conversion.

Table 2: Different possibilities of One-shot and Continuous conversions

7.1.2 Requirements

[SWS_Adc_00090] [The ADC module shall allow grouping of one or more ADC channels into so called ADC Channel groups.] (SRS_Adc_12447)

[SWS_Adc_00091] [The ADC module's configuration shall be such that an ADC Channel group contains at least one ADC Channel.] (SRS_Adc_12447)

[SWS_Adc_00451] [The ADC module's configuration shall be such that an ADC Channel group contains exactly one ADC Channel if the global limit checking feature is enabled and the channel specific limit checking is enabled for the ADC Channel.]
()

[SWS_Adc_00092] [The ADC module shall allow the assignment of an ADC channel to more than one group.] (SRS_Adc_12818)

[SWS_Adc_00277] [The ADC module's configuration shall be such that all channels contained in one ADC Channel group shall belong to the same ADC HW Unit.] (SRS_Adc_12447)

The ADC module supports the following conversion modes:

- **[SWS_Adc_00380]** [The ADC module shall support the conversion mode "One-shot Conversion" for all ADC Channel groups. One-shot conversion means that exactly one conversion is executed for each channel configured for the group being converted.] ()
- **[SWS_Adc_00381]** [The ADC module shall support the conversion mode "Continuous Conversion"¹ for all ADC Channel groups with trigger source software. "Continuous Conversion" means that after the conversion has been completed, the conversion of the whole group is repeated. The conversions of the individual ADC channels within the group as well as the repetition of the whole group don't need any additional trigger events to be executed. Converting the individual channels within the group can be done sequentially or in parallel depending on hardware and/or software capabilities.] ()

The ADC module supports the following start conditions or trigger sources:

- **[SWS_Adc_00356]** [The ADC module shall support the start condition "Software API Call" for all conversion modes. The trigger source "Software API Call" means that the conversion of an ADC Channel group is started/stopped with a service provided by the ADC module.] (SRS_Adc_12817, SRS_Adc_12364)
- **[SWS_Adc_00357]** [The ADC module shall support the start condition "Hardware Event" for groups configured in One-Shot conversion mode. The trigger source "Hardware Event" means that the conversion of an ADC Channel group can be started by a hardware event, e.g. an expired timer or an edge detected on an input line.] (SRS_Adc_12817, SRS_Adc_12364)

[SWS_Adc_00279] [The ADC module shall allow configuring exactly one trigger source for each ADC Channel group.] (SRS_Adc_12817)

The ADC module supports the following result access modes:

- **[SWS_Adc_00382]** [The ADC module shall support result access using the API function `Adc_GetStreamLastPointer`. Calling `Adc_GetStreamLastPointer` informs the user about the position of the group conversion results of the latest conversion round in the result buffer and about the number of valid conversion

¹ On some microcontroller also called „auto-scan mode“.
25 of 122

results in the result buffer. The result buffer is an external buffer provided from the application.] (SRS_Adc_12280)

Note: The function is used for both types of groups, configured in Streaming Access Mode and in Single Access Mode (Single Access Mode is handled equal to Streaming Access Mode with Streaming Counter equal to 1).

- **[SWS_Adc_00383]** [The ADC module shall support result access using the API function `Adc_ReadGroup`, if the generation of this API function is statically configured. Calling `Adc_ReadGroup` copies the group conversion results of the latest conversion round to an application buffer which start address is specified as API parameter of `Adc_ReadGroup`.] (SRS_Adc_12280)
Note: The function is used for both types of groups, configured in Streaming Access Mode and in Single Access Mode.

[SWS_Adc_00140] [The ADC module shall guarantee the consistency of the returned result value for each completed conversion.] (SRS_Adc_12280)

Note:

The consistency of the group channel results can be obtained with the following methods on the application side:

- *Using group notification mechanism*
- *Polling via API function `Adc_GetGroupStatus`*

In any case, new result data must be read out from the result buffer (e.g. via `Adc_ReadGroup`) before they are overwritten. If the function `Adc_GetGroupStatus` reports state `ADC_STREAM_COMPLETED` and conversions for the same group are still ongoing (continuous conversion or hardware triggered conversion), the user is responsible to access the results in the result buffer, before the ADC driver overwrites the group result buffer.

[SWS_Adc_00384] [The ADC module's environment shall ensure that a conversion has been completed for the requested group before requesting the conversion result.] ()

Note: If no conversion has been completed for the requested channel group (e.g. because the conversion of the ADC Channel group has been stopped by the user) the value returned by the ADC module will be arbitrary (`Adc_GetStreamLastPointer` will return 0 and read `NULL_PTR`; `Adc_ReadGroup` will return `E_NOT_OK`).

[SWS_Adc_00288] [The ADC module shall allow the configuration of a priority level for each channel group.] (SRS_Adc_12820)

Note: This implies a prioritization mechanism, implemented in SW, or where available, supported by the HW. Groups with trigger source HW are prioritized always with the HW prioritization mechanism.

[SWS_Adc_00310] [The ADC module's priority mechanism shall allow aborting and restarting of channel group conversions.] (SRS_Adc_12820)

[SWS_Adc_00345] [The ADC module's priority mechanism shall allow suspending and resuming of channel group conversions.] ()

[SWS_Adc_00430] [The ADC module shall allow a group specific configuration whether the abort/restart or suspend/resume mechanism is used for interrupted channel groups.] ()

Note: In contrast to the software controlled abort/restart or suspend/resume mechanism on channel group level, the ADC hardware can support abort/restart and suspend/resume mechanism on ADC channel level. It is up to the implementation which of both mechanisms is implemented on channel level.

[SWS_Adc_00311] [The ADC module's priority mechanism shall allow the queuing of requests for different groups.] ()

Note: Higher priority groups can abort or suspend lower priority groups. In this case the priority handler should put the interrupted channel group conversion in the queue and this channel group conversion will be restarted or resumed later, transparently to the user.

[SWS_Adc_00312] [In the ADC module's priority mechanism the lowest priority is 0.] ()

[SWS_Adc_00289] [The ADC module's priority mechanism shall allow the configuration of 256 priority levels (0...255).] (SRS_Adc_12820)

[SWS_Adc_00315] [The ADC module shall support the static configuration option to disable the priority mechanism.] ()

[SWS_Adc_00340] [The ADC module shall support the static configuration option to enable the priority mechanism ADC_PRIORITY_HW_SW, using both hardware and software prioritization mechanism. If the hardware does not provide the hardware prioritization mechanism a pure software prioritization mechanism shall be implemented.] (SRS_Adc_12820)

[SWS_Adc_00341] [If the priority mechanism is supported by the hardware: The ADC module shall support the static configuration option ADC_PRIORITY_HW to enable the priority mechanism using only the hardware priority mechanism.] (SRS_Adc_12820)

Note: If hardware priority mechanism is selected, also groups with software trigger source are prioritized from the hardware prioritization mechanism.

[SWS_Adc_00339] [If hardware priority mechanism is supported and selected: The ADC module shall allow the mapping of the configured priority levels (0-255) to the available hardware priority levels.] ()

Note: The specific implementation of the ADC module describes restrictions concerning the available hardware priority levels and the possible mapping of the available hardware priorities to the priorities of the ADC channel groups.

[SWS_Adc_00332] [If the priority mechanism is active, the ADC module shall support a queuing of conversion requests. The conversion requests shall be queued when, if channel group with higher priority is requested for conversion while lower priority channel group conversion is ongoing (here lower priority group shall be queued) OR channel group conversion requests can not immediately be handled, because a higher priority channel group conversion is ongoing.] ()

[SWS_Adc_00417] [If the priority mechanism is active, the ADC module shall handle channel group conversion requests for groups with the same priority level, in a 'first come first served' order.] ()

[SWS_Adc_00333] [If the priority mechanism is not active and if the static configuration parameter AdcEnableQueuing is set to ON, the ADC module shall support a queuing of conversion requests and shall service the software groups in a 'first come first served' order.] ()

Note: Software conversion requests storage shall be supported in a software implemented queue or by the hardware.

[SWS_Adc_00335] [If the queuing mechanism is active (priority mechanism active or queuing explicitly activated), the ADC module shall store each software conversion request per channel group at most one time in the software queue.] ()

Note: The ADC module shall only store one conversion request per channel group, not multiple requests, which may occur if a high priority long-term conversion blocks the hardware.

[SWS_Adc_00336] ['Enable hardware trigger requests', generated with API function Adc_EnableHardwareTrigger, shall not be stored in any queue.] ()

[SWS_Adc_00337] [The hardware prioritization mechanism shall be used in case of hardware triggered conversion requests.] ()

[SWS_Adc_00338] [The ADC module shall not store additional software conversion requests for the same group, whose group status is not equal to ADC_IDLE.] ()

[SWS_Adc_00060] [The ADC module shall call the group notification function, whenever a conversion of all channels of the requested group is completed and if the notification is configured and enabled.] (SRS_Adc_12364)

[SWS_Adc_00413] [The ADC module functions shall be reentrant, if the functions are called for different channel groups. This requirement shall be applicable for all API functions, except `Adc_Init`, `Adc_DeInit`, `Adc_GetVersionInfo`, `Adc_SetPowerState`, `Adc_GetTargetPowerState`, `Adc_GetCurrentPowerState` and `Adc_PreparePowerState`.] ()

Note: The reentrancy of the API functions applies only if the caller takes care that there is no simultaneous usage of the same group.

[SWS_Adc_00503] [Simple read calls, as implemented in `Adc_ReadGroup` and `Adc_GetGroupStatus`, shall always be reentrant even if the functions are called for same channel groups. It is up to the implementation to use adequate protection mechanisms (e.g. disabling/enabling interrupts).] ()

Note: Calling `Adc_ReadGroup` can implicitly change the group status.

[SWS_Adc_00414] [The ADC module's environment shall check the integrity (see Note SWS_Adc_00413) if several calls for the same ADC group are used during runtime in different tasks or ISR's.] ()

[SWS_Adc_00415] [The ADC module shall not check the integrity (see Note SWS_Adc_00413) if several calls for the same ADC group are used during runtime in different tasks or ISRs.] ()

[SWS_Adc_00445] [The ADC module shall allow configuring limit checking for ADC Channels.] ()

[SWS_Adc_00446] [If limit checking is active for an ADC Channel, only ADC conversion results, which are in the configured range, are taken into account for updating the user specified ADC result buffer.] ()

[SWS_Adc_00447] [If limit checking is active for an ADC Channel, only ADC conversion results, which are in the configured range, are taken into account for triggering state transitions of the ADC group status.] ()

[SWS_Adc_00448] [If continuous conversion mode with SW trigger source is selected: if limit checking is active for an ADC Channel, ADC conversion results, which are not in the configured range, are neglected from the ADC driver, and the conversion is reiterated.] ()

[SWS_Adc_00449] [If one-shot conversion mode with SW trigger source is selected: if limit checking is active for an ADC Channel, an ADC conversion result, which is not in the configured range, is neglected from the ADC driver, and the ADC group, containing the ADC channel, will stay in state ADC_BUSY.] ()

Note: Before a new SW triggered one-shot conversion can be reissued, it is required to set the ADC group status to ADC_IDLE, using the API Adc_StopGroupConversion().

[SWS_Adc_00450] [If one-shot conversion mode with HW trigger source is selected: if limit checking is active for an ADC Channel, ADC conversion results, which are not in the configured range, are neglected from the ADC driver, and the conversion is reissued, triggered by the next HW trigger.] ()

7.1.3 ADC Buffer Access Mode Example

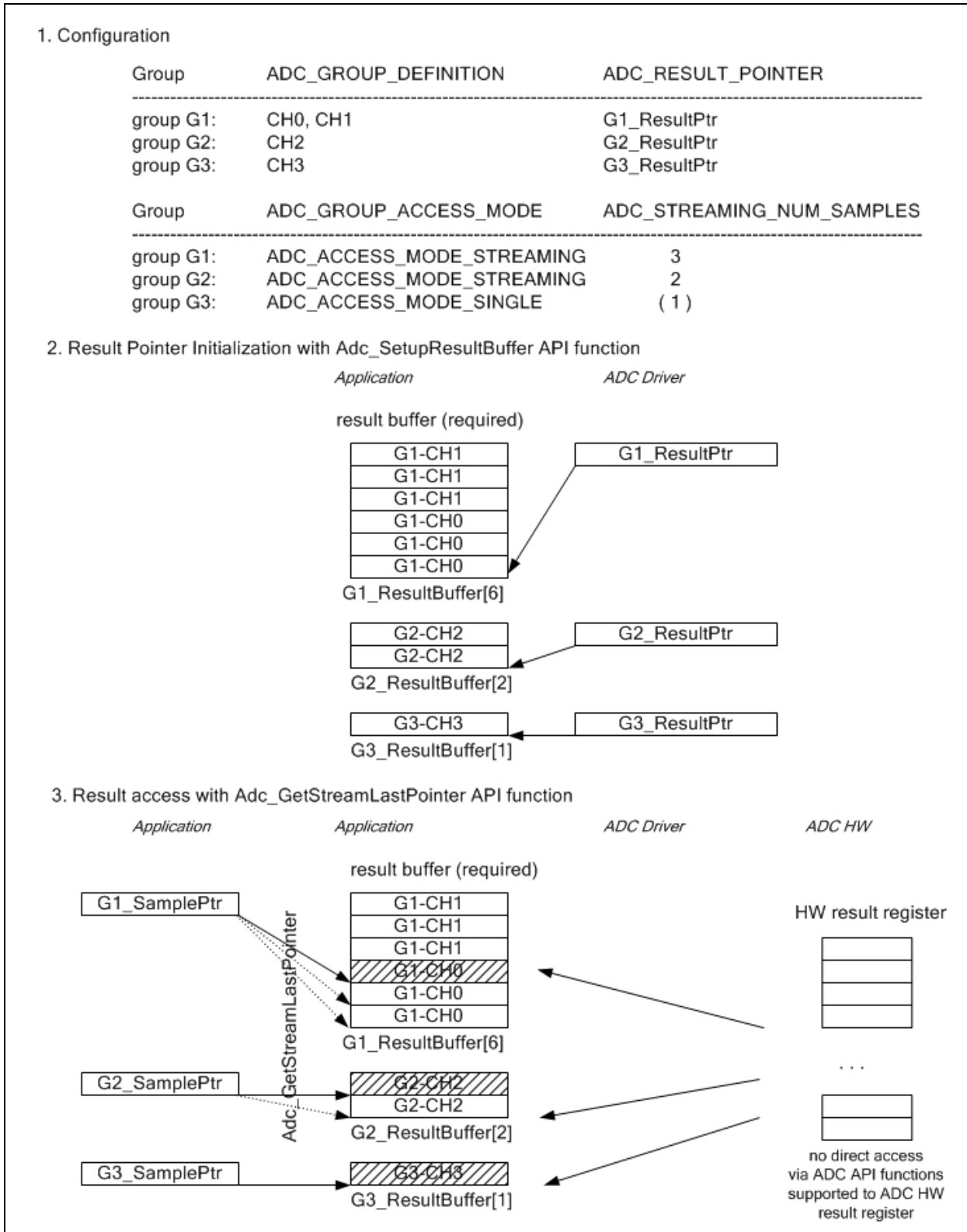


Figure 2: Example for Group and Result Buffer configuration – Result pointer initialization and calling Adc_GetStreamLastPointer for accessing results of latest conversion round in the Result Buffer

4. Result access with `Adc_ReadGroup` API function

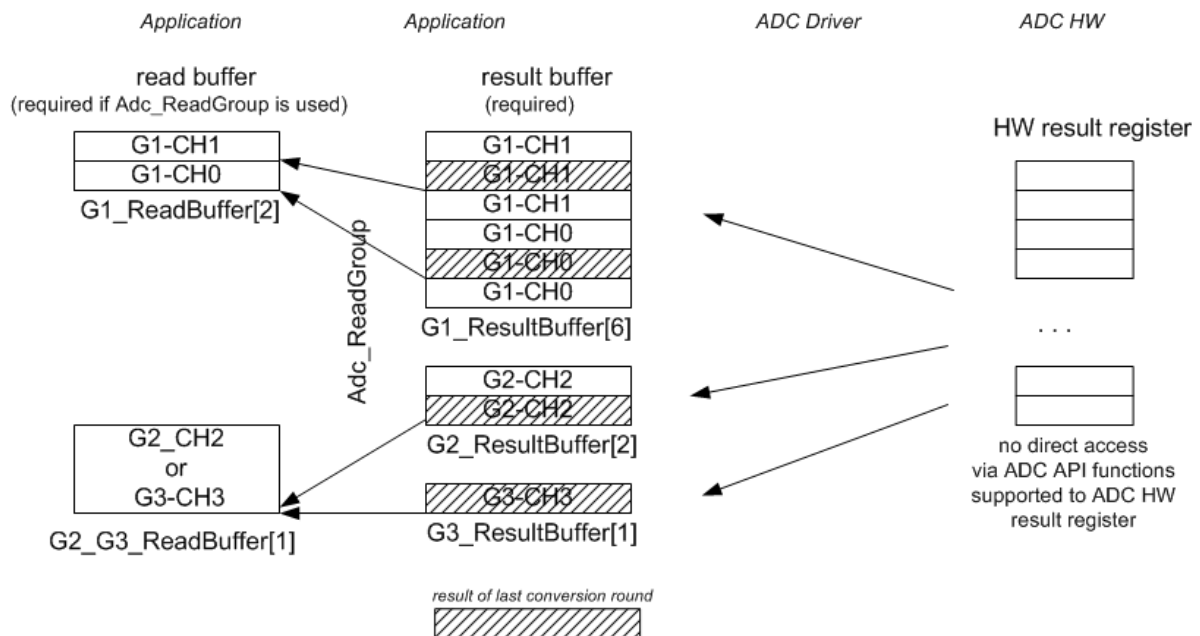


Figure 3: Example for calling `Adc_ReadGroup` which copies results from Result Buffer to optional Read Buffer

7.1.3.1 Example: Configuration

The example configuration consists of three ADC groups. Group 1 consists of 2 channels, group 2 and group 3 consist of one channel each. For group 1 and 2 the group access mode `ADC_ACCESS_MODE_STREAMING` is configured. The group access mode of group 3 is `ADC_ACCESS_MODE_SINGLE`. The ADC driver will store the conversion results of group 1-3 in three application buffers, accessed with three configured `ADC_RESULT_POINTER` : `G1_ResultPtr`, `G2_ResultPtr` and `G3_ResultPtr`.

7.1.3.2 Example: Initialization

The user has to provide application result buffers for the ADC group results. One buffer is required for each group. The buffer size depends on the number of group channels, the group access mode and from the number of streaming samples, if streaming access mode is selected. Before starting a group conversion, the user has to initialize the group result pointer using API function `Adc_SetupResultBuffer` which initializes the group result pointer to point to the specified application result buffer.

7.1.3.3 Example: Adc_GetStreamLastPointer Usage

The ADC driver stores the conversion results of group G1, G2 and G3 in the according result buffer `G1_ResultBuffer[]`, `G2_ResultBuffer[]` and `G3_ResultBuffer[]`. A direct access from the ADC API functions to the ADC hardware result register is not supported from the ADC driver.

The user provides three pointers `G1_SamplePtr`, `G2_SamplePtr` and `G3_SamplePtr` which will point to the ADC application result buffer after calling `Adc_GetStreamLastPointer`. Precisely pointer `G1_SamplePtr` points, after calling `Adc_GetStreamLastPointer`, to the latest `G1_CH0` result of the latest completed conversion round (`G1_CH0` is the first channel in G1 group definition). The application result buffer layout is shown in Figure 2. The application result buffer of group 1 holds three times the streaming results of `G1_CH0` and then three times the streaming results of `G1_CH1`. Knowing the application result buffer layout, the user is able to access all group channel results of the latest conversion round. `G2_SamplePtr` and `G3_SamplePtr` are also aligned, after calling `Adc_GetStreamLastPointer`, to point to the latest result of the first group channel of the according group. Both groups have only one channel. `G2_SamplePtr` points to one of the `G2_CH2` results (the latest result). Because group 3 is configured in single access mode, `G3_SamplePtr` points always to `G3_CH3`.

`Adc_GetStreamLastPointer` returns the number of valid samples per channel, stored in the application result buffer (number of complete group conversion rounds). If the return value is equal to the configured parameter 'number of streaming samples', all conversion results in the streaming buffer are valid. If the return value is 0, no conversion results are available in the streaming buffer (the sample pointer will be aligned to NULL).

To enable `Adc_GetStreamLastPointer` to align the sample pointer (`G1_SamplePtr`, `G2_SamplePtr` and `G3_SamplePtr`) to point to the latest channel result, the API is defined to pass a pointer to the result pointer instead the result pointer itself.

7.1.3.4 Example: Adc_ReadGroup Usage

If the optional API function `Adc_ReadGroup` is enabled, the user has to provide additional buffers for the selected groups, which can hold the results of one group conversion round. Calling `Adc_ReadGroup` copies the latest results from the application result buffer to the application read group buffer. In the example, one application read buffer (`G2_G3_ReadBuffer`) is used for group G2 and G3.

7.2 Conversion processing and interaction

7.2.1 Background & Rationale

The following examples specify the order of channel conversion depending on group and conversion type:

- **Example 1:** Channel group containing channels [CH0, CH1, CH2, CH3, and CH4] is configured in Continuous conversion mode. After finishing each scan, the notification (if enabled) is called. Then a new scan is started automatically.
- **Example 2:** Channel group containing channels [CH0, CH1, CH2, CH3, and CH4] is configured in One-Shot conversion mode. After finishing the scan the notification (if enabled) is called.
- **Example 3:** Channel group containing channel [CH3] is configured in Continuous conversion mode. After finishing each scan the notification (if enabled) is called. Then a new scan is started automatically.
- **Example 4:** Channel group containing channel [CH4] is configured in One-Shot conversion mode. After finishing the scan the notification (if enabled) is called.

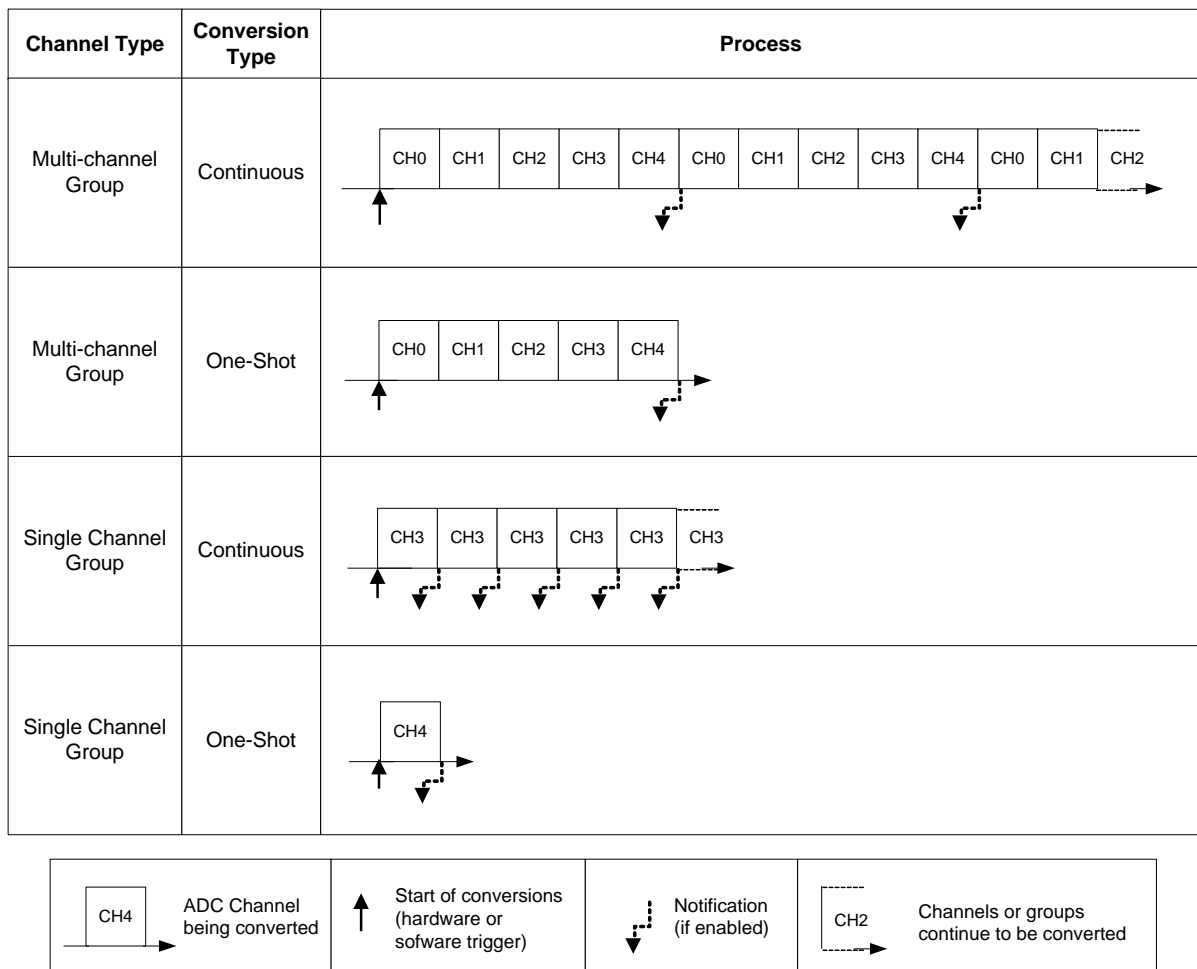


Figure 4: Conversion Mode behavior examples

7.2.2 Requirements

[SWS_Adc_00280] [The ADC module shall convert only one ADC Channel group per ADC HW Unit at a time. The ADC module shall not support the concurrent conversion of different (even exclusive) ADC Channel groups on the same ADC HW Unit.] (SRS_Adc_12447)

Note: Concurrent conversion of ADC Channel groups on different ADC HW Units may be possible, depending on the capabilities of the hardware. Also concurrent conversion of individual channels within one channel group may be possible if supported by the hardware.

Note: If a channel shall be used in different conversion modes (e.g. continuous conversion mode during normal operation and one-shot conversion mode for a special conversion at a dedicated point in time), this channel shall be assigned to different groups configured with the respective conversion modes.

Note: In order to request the conversion of a channel shared between two groups, the ADC user has to stop the conversion of the first group containing the specified channel and then start the conversion of the second group containing the specified channel.

7.3 State Diagrams

The ADC module has a state machine that is shown in the following figures. The states are group specific and not module specific. The diagrams show all possible configuration options for ADC groups. The state transitions depend on the ADC group configuration.

7.3.1 ADC State Diagram for One-Shot/Continuous Group Conversion Mode

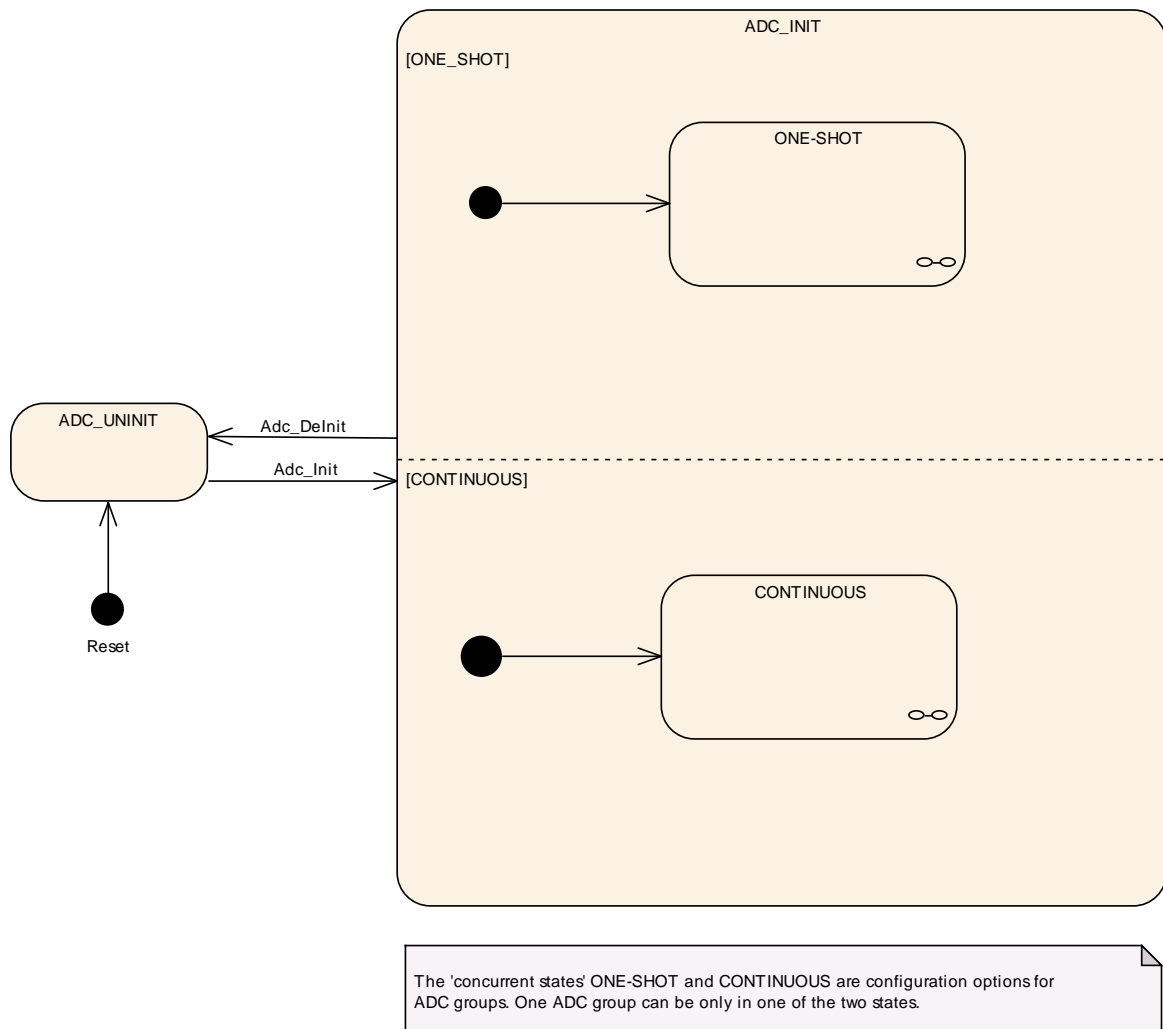
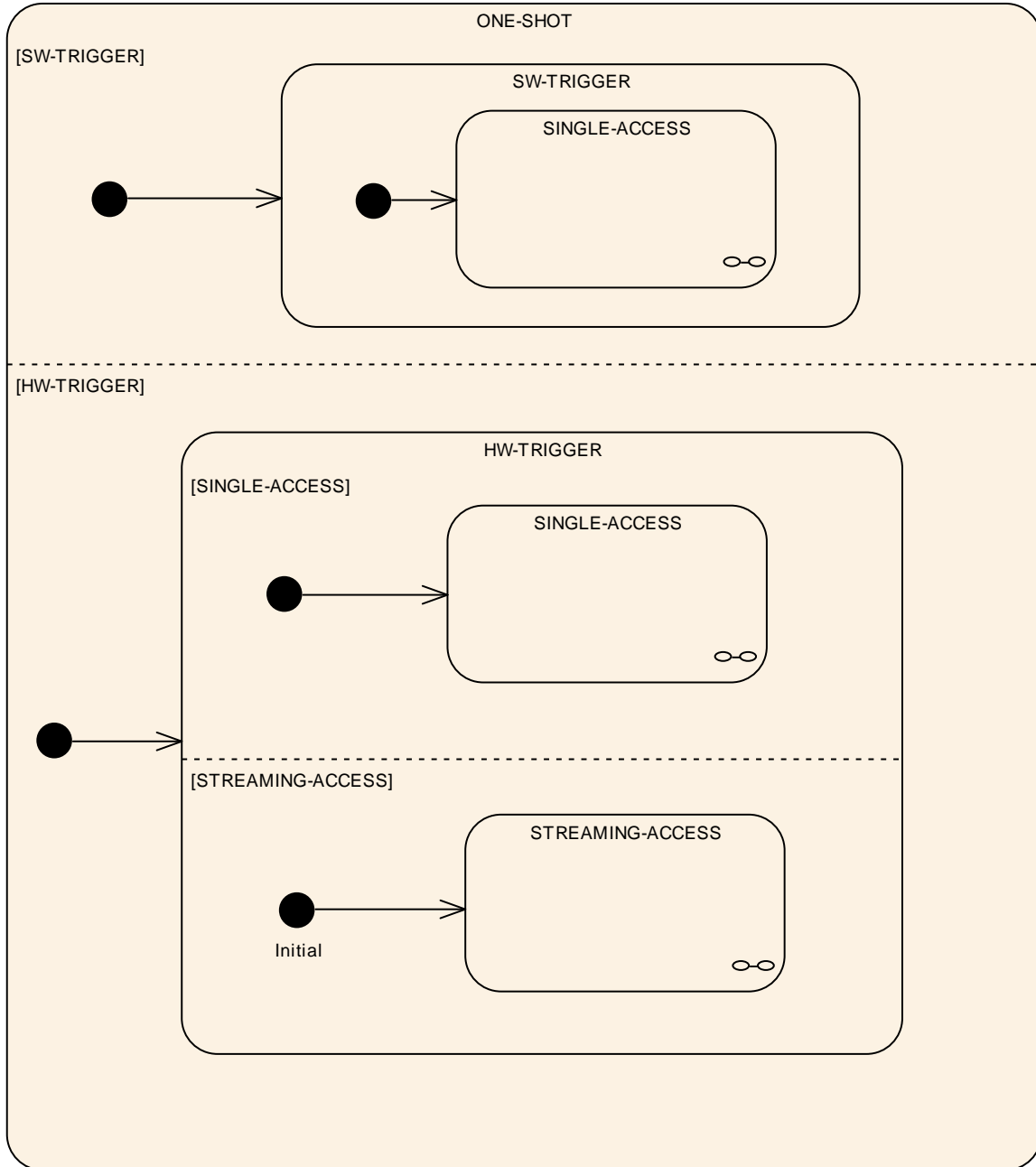


Figure 5: ADC State Diagram for One-Shot/Continuous Group Conversion Mode

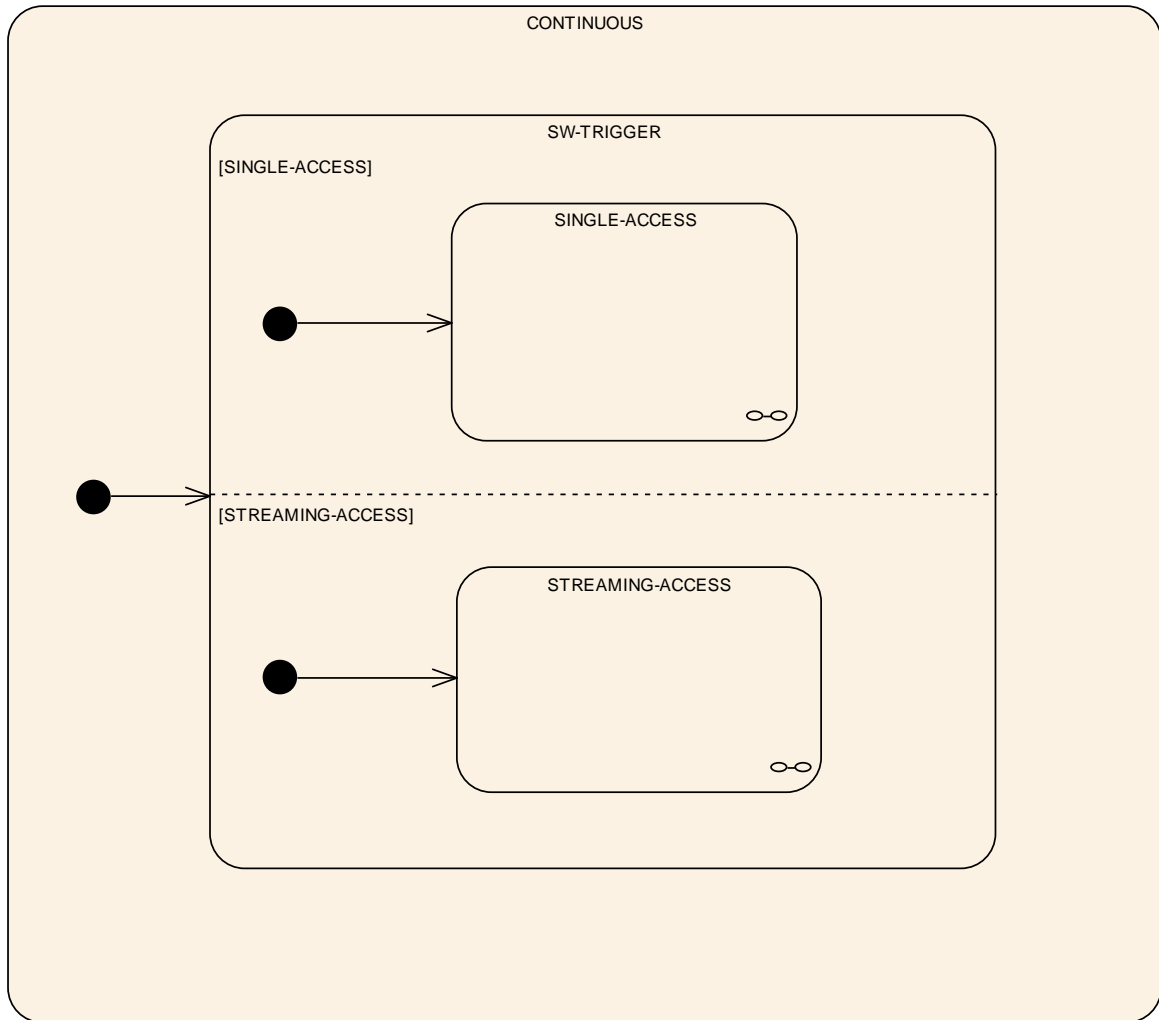
7.3.2 ADC State Diagram for HW/SW Trigger in One-Shot Group Conversion Mode



The 'concurrent states' SW-TRIGGER and HW-TRIGGER are configuration options for ADC groups. One ADC group can be only in one of the two states.
The 'concurrent states' SINGLE-ACCESS and STREAMING-ACCESS are configuration options for ADC groups. One ADC group can be only in one of the two states.

Figure 6: State Diagram HW/SW Trigger in One-Shot Group Conversion Mode

7.3.3 ADC State Diagram for SW Trigger in Continuous Conversion Mode



The 'concurrent states' SINGLE-ACCESS and STREAMING-ACCESS are configuration options for ADC groups. One ADC group can be only in one of the two states.

Figure 7: State Diagram SW Trigger in Continuous Conversion Mode

7.3.4 ADC State Diagram for One-Shot Conversion Mode, Software Trigger Source, Single Access Mode

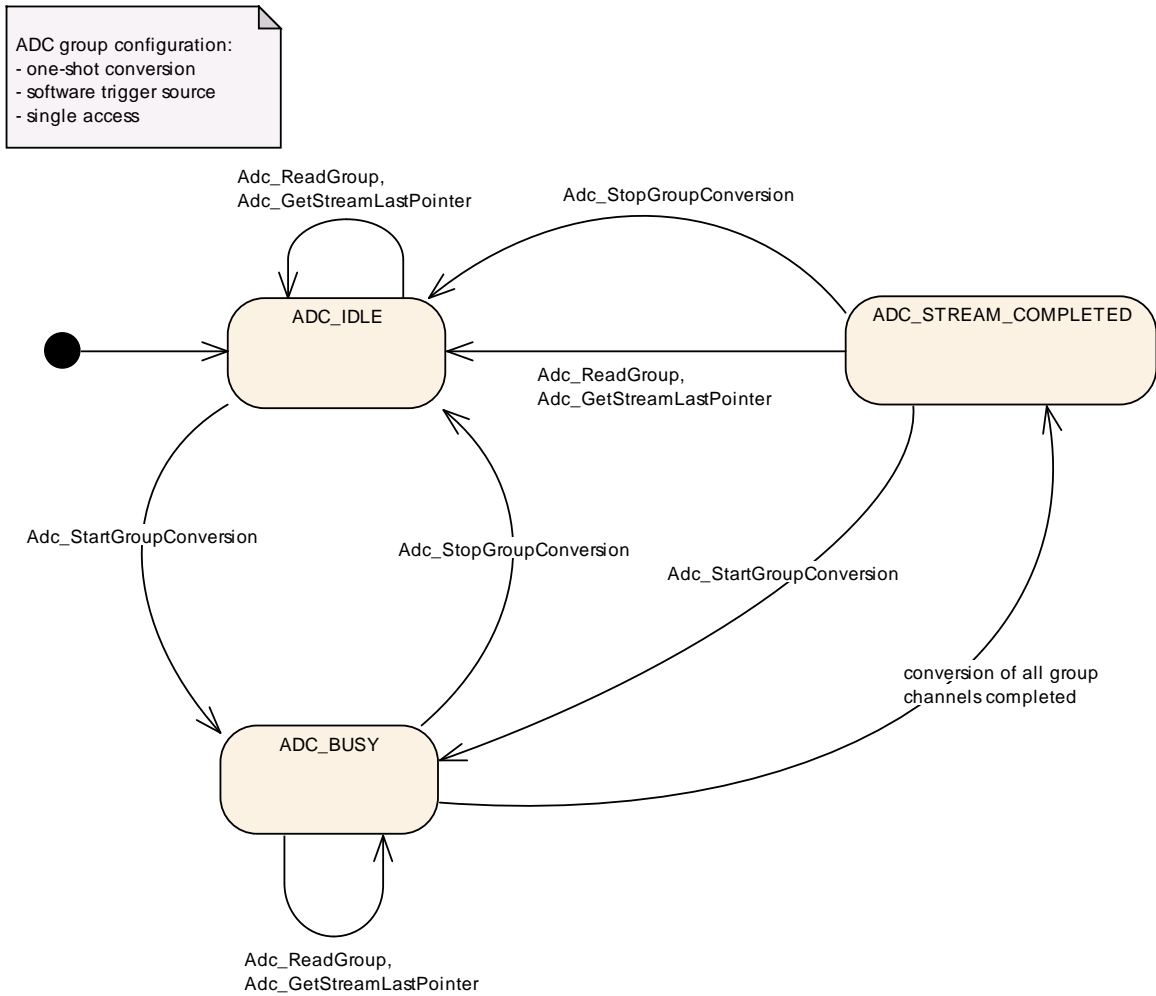


Figure 8: State Diagram On-Shot, SW Trigger, Single Access

7.3.5 ADC State Diagram for One-Shot Conversion, Hardware Trigger Source, Single Access Mode

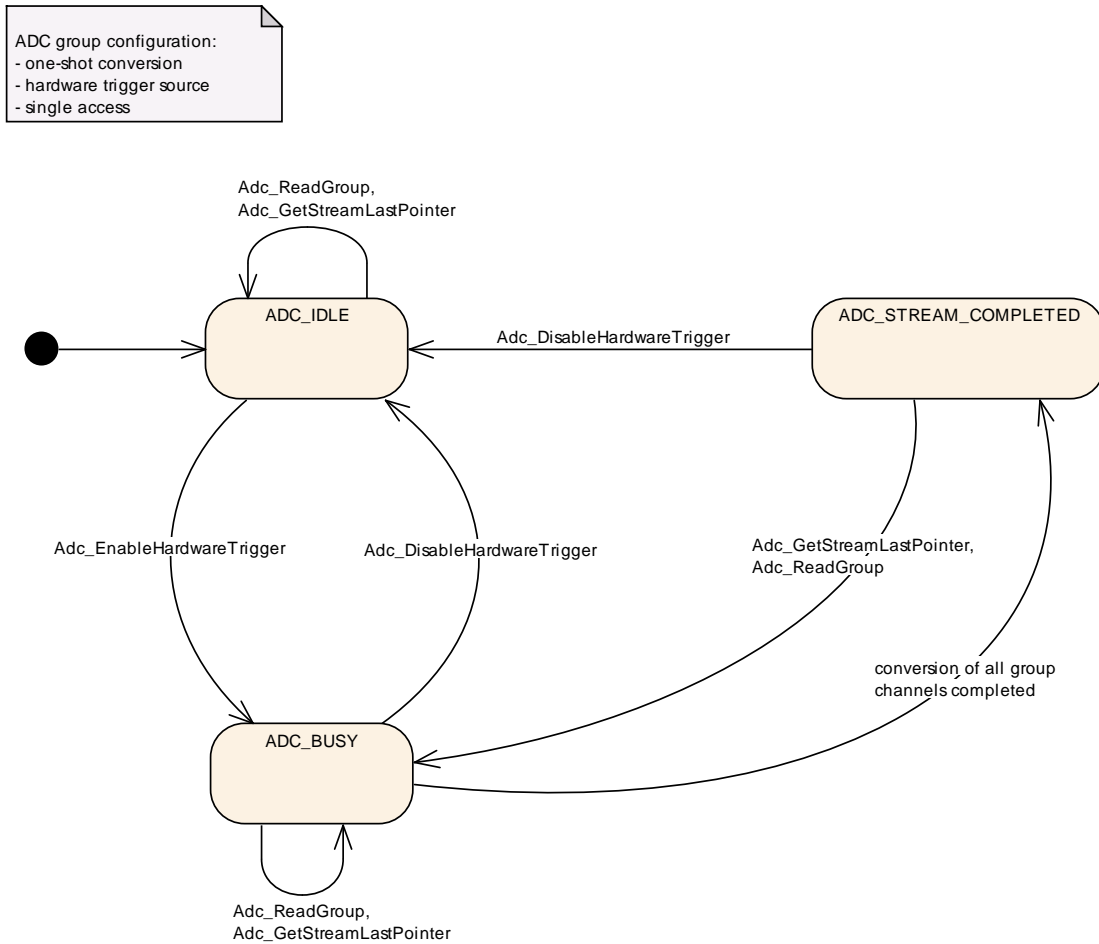


Figure 9: State Diagram One-Shot, HW Trigger, Single Access

7.3.6 ADC State Diagram for One-Shot Conversion Mode, Hardware Trigger Source, Linear and Circular Streaming Access Mode

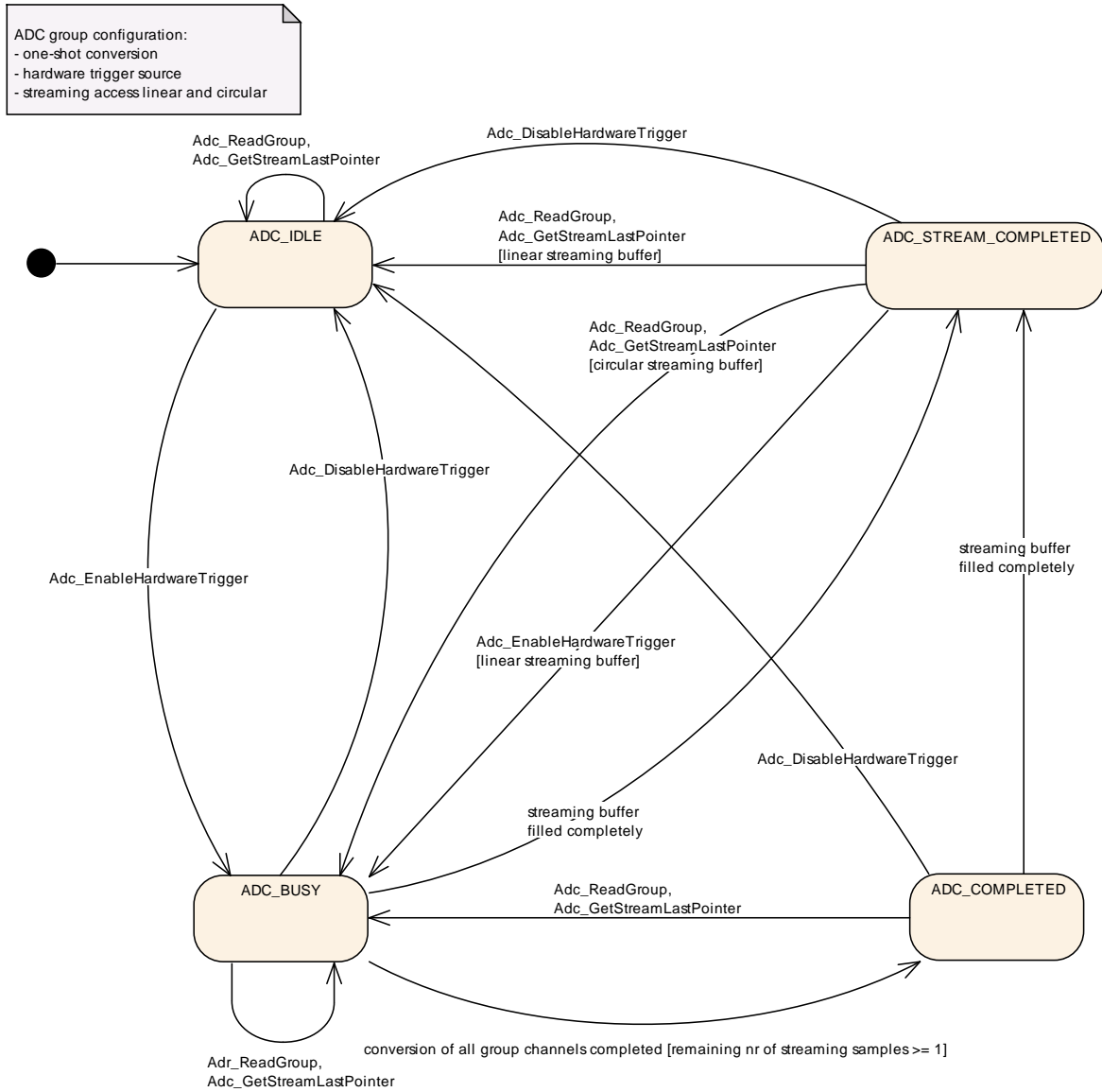


Figure 10: State Diagram One-Shot, HW Trigger, Streaming Access

7.3.7 ADC State Diagram for Continuous Conversion Mode, Software Trigger Source, Single Access Mode

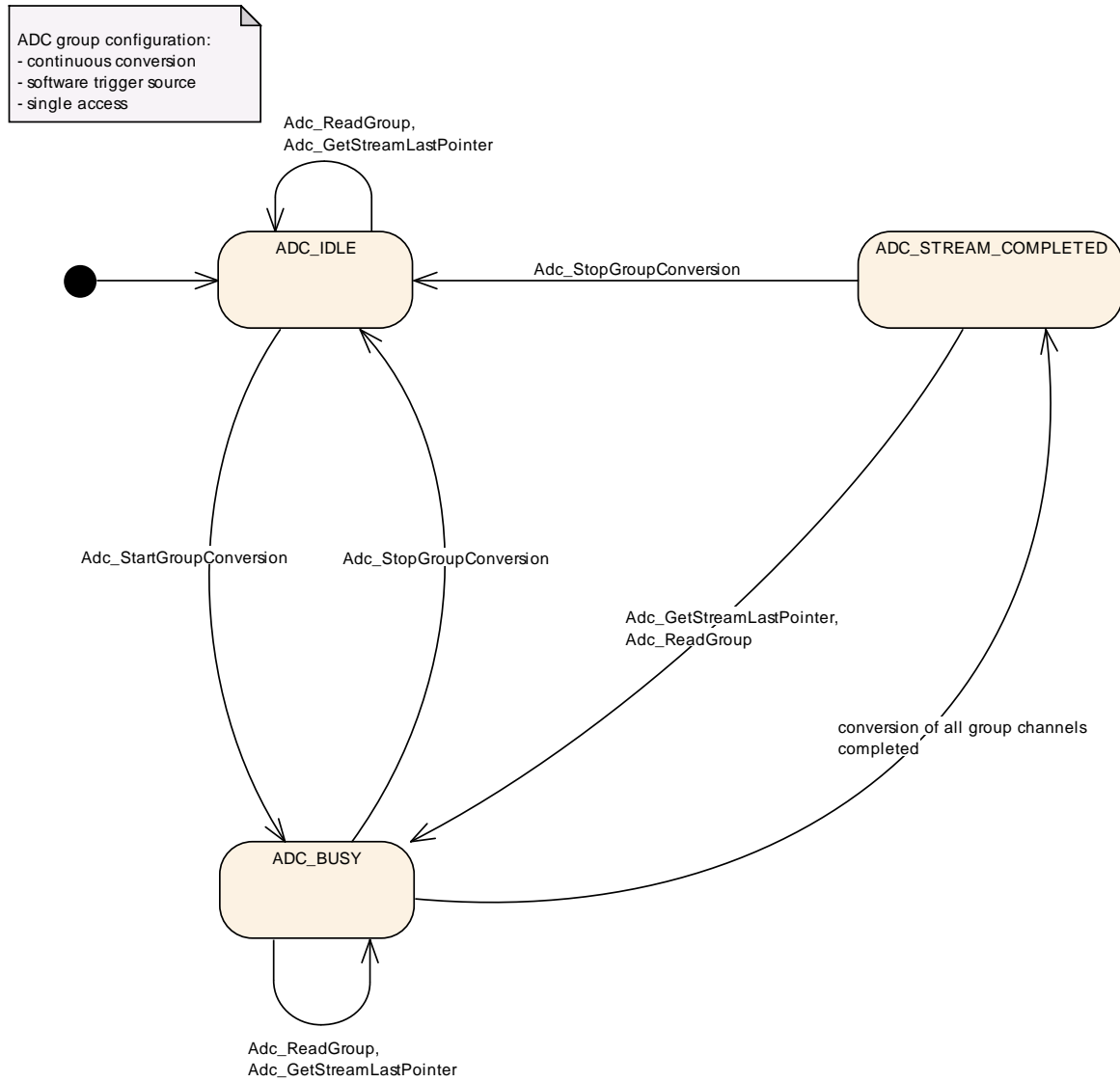


Figure 11: State Diagram Continuous, SW Trigger, Single Access

7.3.8 ADC State Diagram for Continuous Conversion Mode, Software Trigger Source, Linear and Circular Streaming Access Mode

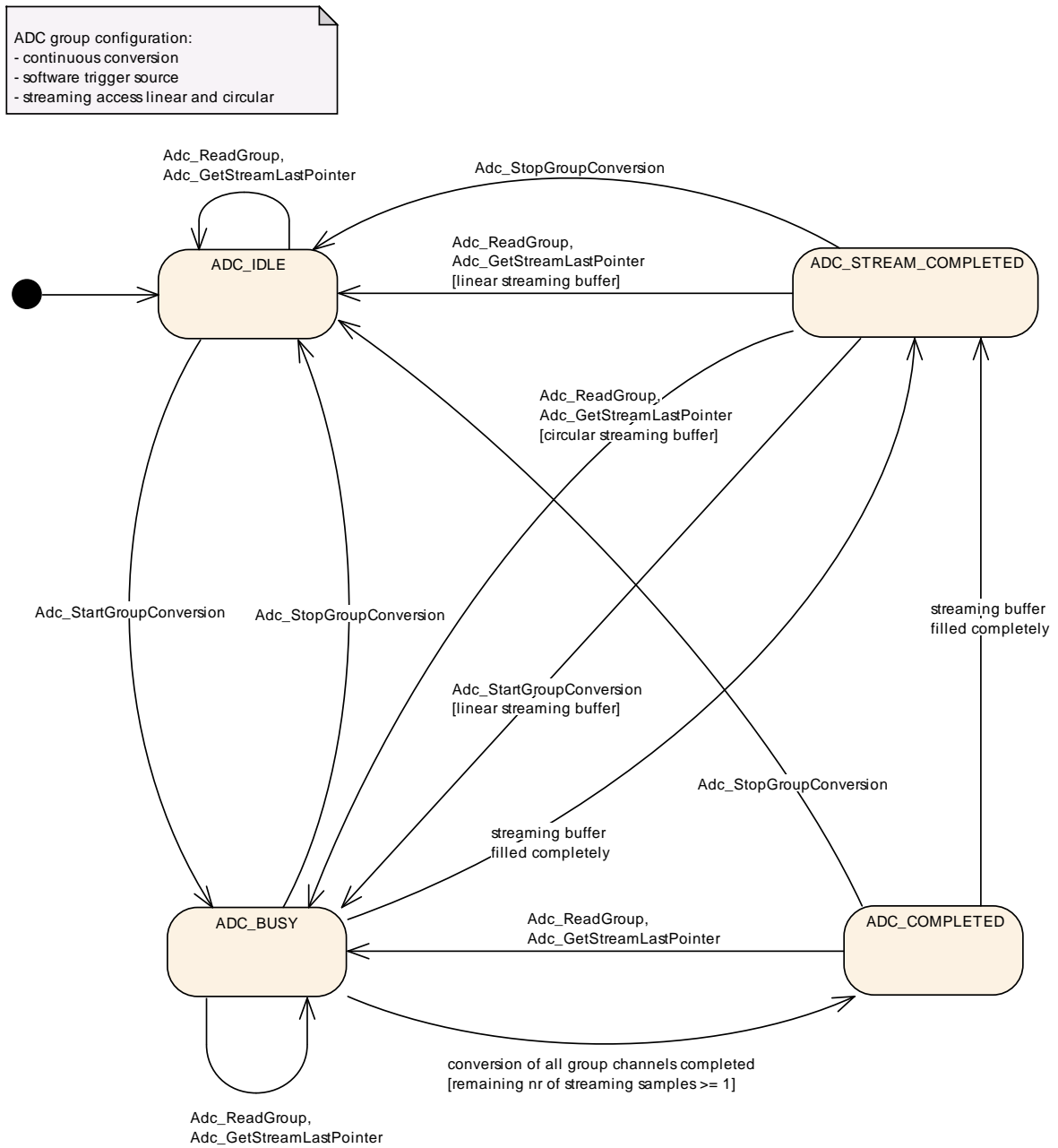


Figure 12: State Diagram Conversion, SW Trigger, Streaming Access

7.4 Support and management of HW low power states

Some ADC HW Module allow to be set in some operation modes which reduce the power consumption, eventually at the cost of a slower reaction time, a lower performance or eventually complete unavailability. Each ADC module could support one or more low power operation modes, considering the Full Power Mode as always present and set per default at startup.

7.4.1 Background

The ADC Driver offers power state control APIs and a background elaboration mechanism to handle asynchronous power state change processes (i.e. power state changes which are not immediately complete as they are requested, but need some longer operations).

It is assumed that all constraints deriving from ECU and SW architecture are already satisfied by the upper layers (Application, Mode Management in the service layer, IoHwAbstraction components dealing with peripheral control), thus the scope of control is limited to the ADC HW peripheral.

A check on the operation sequence is executed by the ADC Driver in order to avoid requesting a different power state before the previous request is still being processed or activating a power state when no preparation for the same has been requested.

The ADC module shall support power control capabilities as an optional function. This module neither mandates to use only power control enabled MCUs nor to configure the same. Rather it proposes a way to handle power states if this is supported by the suppliers.

7.4.2 Requirements

SWS_Adc_00462 The ADCDriver shall support power state changes and its APIs when the corresponding configuration parameter `AdcLowPowerStatesSupport` is set to TRUE.

SWS_Adc_00463 If the parameter `AdcLowPowerStatesSupport` is enabled then the APIs `Adc_PreparePowerState`, `Adc_SetPowerState`, `Adc_GetCurrentPowerState`, `Adc_GetTargetPowerState` shall be generated and shall be used to manage and get informations on power state transitions.

SWS_Adc_00464 The APIs `Adc_GetTargetPowerState` and `Adc_GetCurrentPowerState` shall be respectively used to gather information on the requested and the target ADC power states.

SWS_Adc_00465 The API `Adc_PreparePowerState` shall be used to start a power state transition.

SWS_Adc_00466 After preparation for a power state is achieved by API `Adc_PreparePowerState` then the API `Adc_SetPowerState` shall be used to achieve the requested power state of the ADC module.

In order to avoid incoherent power state conditions, some APIs (`Adc_SetPowerState`, `Adc_PreparePowerState`) have to be called in a given sequence, otherwise an error (if DET tracing is enabled) is stored and the action is interrupted. The ADC Driver keeps track of the call sequence.

SWS_Adc_00467 ADC Driver shall keep track of the call order of the APIs `Adc_SetPowerState` and `Adc_PreparePowerState`. In case the first one is called before the second one is called, a DET entry shall be stored and the action shall not be executed.

SWS_Adc_00469 The Adc Module shall keep track of the current and of the target powerstate if the parameter `AdcLowPowerStatesSupport` is set to TRUE.

SWS_Adc_00470 After the Initialization the power state of the module shall be always FULL POWER if the `AdcLowPowerStatesSupport` is set to TRUE.

SWS_Adc_00471 The ADC Driver shall support synchronous and asynchronous power state transitions, depending on the value of the configuration parameter `AdcPowerStateAsynchTransitionMode`.

SWS_Adc_00472 In case the configuration parameter `AdcPowerStateAsynchTransitionMode` is set to FALSE, the preparation process and the setting process shall be considered concluded as soon as the respective APIs return.

SWS_Adc_00473 In case the configuration parameter `AdcPowerStateAsynchTransitionMode` is set to TRUE, the preparation process shall continue in background after the relative API returns and its completion shall be notified by means of the configured callback.

7.5 Version check

7.5.1 Background & Rationale

The integration of incompatible files is to be avoided. Minimum implementation is the version check of the header file inside the .c file (version numbers of .c and .h files must be identical).

<i>Type of error</i>	<i>Relevance</i>	<i>Related error code</i>	<i>Value [hex]</i>
<p>Adc_Init has not been called prior to another function call (see SWS Adc 00154, SWS Adc 00294, SWS Adc 00295, SWS Adc 00296, SWS Adc 00297, SWS Adc 00298, SWS Adc 00299, SWS Adc 00300, SWS Adc 00301, SWS Adc 00302, SWS Adc 00486, SWS Adc 00491, SWS Adc 00493, SWS Adc 00496).</p>	Development	ADC_E_UNINIT	0x0A
<p>Adc_StartGroupConversion was called while another conversion is already running or a HW trigger is already enabled or a request is already stored in the queue (see SWS Adc 00346, SWS Adc 00348, ADC350, SWS Adc 00351, ADC352).</p> <p>Adc_EnableHardwareTrigger was called while a conversion is ongoing or a HW trigger is already enabled or the maximum number of HW triggers is already enabled (see SWS Adc 00321, SWS Adc 00349, SWS Adc 00353).</p> <p>Adc_DeInit was called while a conversion is still ongoing (see SWS Adc 00112).</p>	Runtime	ADC_E_BUSY	0x0B
<p>Adc_StopGroupConversion was called while no conversion was running (see SWS Adc 00241).</p> <p>Adc_DisableHardwareTrigger was called while group is not enabled (see SWS Adc 00304).</p>	Runtime	ADC_E_IDLE	0x0C
<p>Adc_Init has been called while ADC is already initialized (see SWS Adc 00107).</p>	Development	ADC_E_ALREADY_INITIALIZED	0x0D
<p>Adc_Init has been called with incorrect configuration parameter (configuration pointer is NULL_PTR for post-build configuration or configuration pointer is not equal NULL_PTR for pre-compile configuration)</p>	Development	ADC_E_PARAM_POINTER	0x0E
<p>Adc_SetupResultBuffer or Adc_GetVersionInfo called with invalid data buffer pointer,</p>	Development	ADC_E_PARAM_POINTER	0x14

NULL_PTR passed SWS Adc 00269 , SWS Adc 00458			
Invalid group ID requested (see SWS Adc 00125 , SWS Adc 00126 , SWS Adc 00152 , SWS Adc 00128 , SWS Adc 00129 , SWS Adc 00130 , SWS Adc 00131 , SWS Adc 00225 , SWS Adc 00218).	Development	ADC_E_PARAM_GROUP	0x15
Adc_EnableHardwareTrigger or Adc_DisableHardwareTrigger called on a group with conversion mode configured as continuous (see SWS Adc 00281 , SWS Adc 00282).	Development	ADC_E_WRONG_CONV_MODE	0x16
Adc_StartGroupConversion or Adc_StopGroupConversion called on a group with trigger source configured as hardware (see SWS Adc 00133 , SWS Adc 00164).	Development	ADC_E_WRONG_TRIGG_SRC	0x17
Adc_EnableHardwareTrigger or Adc_DisableHardwareTrigger called on a group with trigger source configured as software API (see SWS Adc 00136 , SWS Adc 00137).			
Enable/disable notification function for a group whose configuration set has no notification available (see SWS Adc 00165 , SWS Adc 00166).	Development	ADC_E_NOTIF_CAPABILIT Y	0x18
Conversion started and result buffer pointer is not initialized (see SWS Adc 00424 , SWS Adc 00425).	Development	ADC_E_BUFFER_UNINIT	0x19
One or more ADC group/channel not in IDLE state SWS Adc 00486	Runtime	ADC_E_NOT_DISENGAGED	0x1A
Unsupported power state request SWS Adc 00488 , SWS Adc 00497	Development	ADC_E_POWER_STATE_NOT _SUPPORTED	0x1B
Requested power state can not be reached directly SWS Adc 00489 , SWS Adc 00498 .	Runtime	ADC_E_TRANSITION_NOT_ POSSIBLE	0x1C
ADC not prepared for target power state SWS Adc 00490	Development	ADC_E_PERIPHERAL_NOT_ PREPARED	0x1D
--	Production	--	Assigned by DEM

Table 3: Error classification

7.6 Error detection

7.6.1 Development Error

Function	Criteria of detection	Related error code
Adc_Init	ADC driver and hardware already initialized. ADC initialization API called with incorrect configuration pointer	ADC_E_ALREADY_INITIALIZED ADC_E_PARAM_POINTER
Adc_DeInit	Function called prior to initialization.	ADC_E_UNINIT
Adc_StartGroupConversion	Function called prior to initialization. Function called with non existing group. Function called for a group configured for hardware trigger source. Function called while result buffer pointer is not initialized	ADC_E_UNINIT ADC_E_PARAM_GROUP ADC_E_WRONG_TRIGG_SRC ADC_E_BUFFER_UNINIT
Adc_StopGroupConversion	Function called prior to initialization. Function called with non existing group. Function called for a group configured for hardware trigger source.	ADC_E_UNINIT ADC_E_PARAM_GROUP ADC_E_WRONG_TRIGG_SRC
Adc_GetGroupStatus	Function called prior to initialization. Function called with non existing group.	ADC_E_UNINIT ADC_E_PARAM_GROUP
Adc_ReadGroup	Function called prior to initialization. Function called with non existing group.	ADC_E_UNINIT ADC_E_PARAM_GROUP
Adc_EnableHardwareTrigger	Function called prior to initialization. Function called with non existing group. Function called for a group configured for software API trigger source. Function called for a group configured for Continuous conversion mode. Function called while result buffer pointer is not initialized	ADC_E_UNINIT ADC_E_PARAM_GROUP ADC_E_WRONG_TRIGG_SRC ADC_E_WRONG_CONV_MODE ADC_E_BUFFER_UNINIT

Adc_DisableHardwareTrigger	<p>Function called prior to initialization.</p> <p>Function called with non existing group.</p> <p>Function called for a group configured for software API trigger source.</p> <p>Function called for a group configured for Continuous conversion mode.</p>	<p>ADC_E_UNINIT</p> <p>ADC_E_PARAM_GROUP</p> <p>ADC_E_WRONG_TRIGG_SRC</p> <p>ADC_E_WRONG_CONV_MODE</p>
Adc_EnableGroupNotification	<p>Function called prior to initialization.</p> <p>Function called with non existing group.</p> <p>Function called and notification function pointer is NULL.</p>	<p>ADC_E_UNINIT</p> <p>ADC_E_PARAM_GROUP</p> <p>ADC_E_NOTIF_CAPABILITY</p>
Adc_DisableGroupNotification	<p>Function called prior to initialization.</p> <p>Function called with non existing group.</p> <p>Function called and notification function pointer is NULL.</p>	<p>ADC_E_UNINIT</p> <p>ADC_E_PARAM_GROUP</p> <p>ADC_E_NOTIF_CAPABILITY</p>
Adc_SetupResultBuffer	<p>Function called prior to initialization.</p> <p>Function called with non existing group.</p> <p>Function called and DataBufferPtr is NULL_PTR.</p>	<p>ADC_E_UNINIT</p> <p>ADC_E_PARAM_GROUP</p> <p>ADC_E_PARAM_POINTER</p>
Adc_GetStreamLastPointer	<p>Function called prior to initialization.</p> <p>Function called with non existing group.dis</p>	<p>ADC_E_UNINIT</p> <p>ADC_E_PARAM_GROUP</p>
Adc_GetVersionInfo	Function called with NULL pointer.	ADC_E_PARAM_POINTER
Adc_SetPowerState	<p>Function called prior to initialization.</p> <p>Unsupported power state request</p> <p>ADC not prepared for target power state</p>	<p>ADC_E_UNINIT</p> <p>ADC_E_POWER_STATE_NOT_SUPPORTED</p> <p>ADC_E_PERIPHERAL_NOT_PREPARED</p>
Adc_GetCurrentPowerState	Function called prior to initialization.	ADC_E_UNINIT
Adc_GetTargetPowerState	Function called prior to initialization.	ADC_E_UNINIT
Adc_PreparePowerState	<p>Function called prior to initialization.</p> <p>Unsupported power state request</p>	<p>ADC_E_UNINIT</p> <p>ADC_E_POWER_STATE_NOT_SUPPORTED</p>

Table 4: Error detection – Development Error

7.6.2 Runtime Error

Adc_DeInit	Function called while conversion is running.	ADC_E_BUSY
Adc_StartGroupConversion	Function called while any group is not in state ADC_IDLE. Function called while conversion request already stored in queue. Function called while conversion of same group is already running.	ADC_E_BUSY
Adc_EnableHardwareTrigger	in state ADC_IDLE. Function called while HW trigger for the group is already enabled. Function called while maximum number of available hardware triggers is already enabled.	ADC_E_BUSY
Adc_SetupResultBuffer	Function called while any group is not in state ADC_IDLE.	ADC_E_BUSY
Adc_StopGroupConversion	Function called while group is in state ADC_IDLE.	ADC_E_IDLE
Adc_ReadGroup	Function called while group status is ADC_IDLE	ADC_E_IDLE
Adc_DisableHardwareTrigger	Function called for a non enabled group.	ADC_E_IDLE
Adc_GetStreamLastPointer	Function called while group status is ADC_IDLE	ADC_E_IDLE
Adc_SetPowerState	One or more ADC group/channel not in IDLE state	ADC_E_NOT_DISENGAGED
Adc_SetPowerState	Requested power state can not be reached directly	ADC_E_TRANSITION_NOT_POSSIBLE
Adc_PreparePowerState	Requested power state can not be reached directly	ADC_E_TRANSITION_NOT_POSSIBLE

Table 5: Error detection – Runtime Error

7.6.3 Transient Faults

Table 6: Error detection – Transient Faults

8 API specification

8.1 Imported types

In this chapter all types included from the following files are listed:

[SWS_Adc_00364] [

Module	Imported Type
Std_Types	Std_ReturnType
	Std_VersionInfoType

] ()

8.2 Type definitions

8.2.1 Adc_ConfigType

[SWS_Adc_00505] [

Name:	Adc_ConfigType	
Type:	Structure	
Range:	--	Implementation specific configuration data structure.
Description:	Data structure containing the set of configuration parameters required for initializing the ADC Driver and ADC HW Unit(s).	

] ()

8.2.2 Adc_ChannelType

[SWS_Adc_00506] [

Name:	Adc_ChannelType	
Type:	uint	
Range:	--	The range of this type is μ C specific and has to be described by the supplier.
Description:	Numeric ID of an ADC channel.	

] ()

8.2.3 Adc_GroupType

[SWS_Adc_00507] [

Name:	Adc_GroupType	
Type:	uint	
Range:	--	The range of this type is μ C specific and has to be described by the supplier.
Description:	Numeric ID of an ADC channel group.	

] ()

8.2.4 Adc_ValueGroupType

[SWS_Adc_00508] [

Name:	Adc_ValueGroupType	
Type:	int	
Range:	--	Implementation specific.
Description:	Type for reading the converted values of a channel group (raw, without further scaling, alignment according precompile switch ADC_RESULT_ALIGNMENT).	

] ()

The result values shall be stored in an integer buffer, i.e. an array of integers.

The following rules shall apply to the driver implementation:

- **[SWS_Adc_00318]** [In single value access mode the result buffer shall have as many elements as channels belonging to the group. In this way each buffer element corresponds to a channel, in the order the channels are defined in the group.] (SRS_Adc_12819)
- **[SWS_Adc_00319]** [In streaming access mode the result buffer shall have $m \cdot n$ elements, where n is the number of channels belonging to the group, m the number of samples acquired per channel. In this way the first m elements belong to the first channel in the group, the second m elements to the second channel and so on.] (SRS_Adc_12825)
- **[SWS_Adc_00320]** [The dimension (in number of bits) of each buffer element (of type integer) shall be uniform, tailored on the largest (in number of bits) channel belonging to any group.] (SRS_Adc_12822)

Note: Only if all ADC channels of all ADC groups have 8 bit resolution, Adc_ValueGroupType can be configured as 8 bit data type.

Note: The information about number of channels belonging to the group and number of samples acquired per channel can be derived from the group configuration data.

8.2.5 Adc_PrescaleType

[SWS_Adc_00509] [

Name:	Adc_PrescaleType	
Type:	uint	
Range:	--	-- The range of this type is μ C specific and has to be described by the supplier.
Description:	Type of clock prescaler factor. (This is not an API type).	

] ()

8.2.6 Adc_ConversionTimeType

[SWS_Adc_00510] [

Name:	Adc_ConversionTimeType	
Type:	uint	
Range:	--	-- The range of this type is μ C specific and has to be described by the supplier.
Description:	Type of conversion time, i.e. the time during which the sampled analogue value is converted into digital representation. (This is not an API type).	

] ()

8.2.7 Adc_SamplingTimeType

[SWS_Adc_00511] [

Name:	Adc_SamplingTimeType	
Type:	uint	
Range:	--	-- The range of this type is μ C specific and has to be described by the supplier.
Description:	Type of sampling time, i.e. the time during which the value is sampled, (in clock-cycles). (This is not an API type).	

] ()

8.2.8 Adc_ResolutionType

[SWS_Adc_00512] [

Name:	Adc_ResolutionType	
Type:	uint8	
Range:	--	-- The range of this type is μ C specific and has to be described by the supplier.
Description:	Type of channel resolution in number of bits. (This is not an API type).	

] ()

8.2.9 Adc_StatusType

[SWS_Adc_00513] [

Name:	Adc_StatusType	
Type:	Enumeration	
Range:	ADC_IDLE	-- The conversion of the specified group has not been started. - No result is available.
	ADC_BUSY	-- The conversion of the specified group has been started and is still going on. - So far no result is available.
	ADC_COMPLETED	-- A conversion round (which is not the final one) of the specified group has been finished. - A result is available for all channels of the group.
	ADC_STREAM_COMPLETED	-- The result buffer is completely filled - For each channel of the selected group the number of samples to be acquired is available
Description:	Current status of the conversion of the requested ADC Channel group.	

] ()

8.2.10 Adc_TriggerSourceType

[SWS_Adc_00514] [

Name:	Adc_TriggerSourceType	
Type:	Enumeration	
Range:	ADC_TRIGG_SRC_SW	-- Group is triggered by a software API call.
	ADC_TRIGG_SRC_HW	-- Group is triggered by a hardware event.
Description:	Type for configuring the trigger source for an ADC Channel group.	

] ()

8.2.11 Adc_GroupConvModeType

[SWS_Adc_00515] [

Name:	Adc_GroupConvModeType		
Type:	Enumeration		
Range:	ADC_CONV_MODE_ONESHOT	--	Exactly one conversion of each channel in an ADC channel group is performed after the configured trigger event. In case of 'group trigger source software', a started One-Shot conversion can be stopped by a software API call. In case of 'group trigger source hardware', a started One-Shot conversion can be stopped by disabling the trigger event (if supported by hardware).
	ADC_CONV_MODE_CONTINUOUS	--	Repeated conversions of each ADC channel in an ADC channel group are performed. 'Continuous conversion mode' is only available for 'group trigger source software'. A started 'Continuous conversion' can be stopped by a software API call.
Description:	Type for configuring the conversion mode of an ADC Channel group.		

] ()

8.2.12 Adc_GroupPriorityType

[SWS_Adc_00516] [

Name:	Adc_GroupPriorityType		
Type:	uint8		
Range:	0..255	--	--
Description:	Priority level of the channel. Lowest priority is 0.		

] ()

8.2.13 Adc_GroupDefType

[SWS_Adc_00517] [

Name:	Adc_GroupDefType		
Type:	implementation specific		
Description:	Type for assignment of channels to a channel group (this is not an API type).		

] ()

8.2.14 Adc_StreamNumSampleType

[SWS_Adc_00518] [

Name:	Adc_StreamNumSampleType		
Type:	uint		
Range:	--	--	The range of this type is μ C specific and has to be described by the supplier.
Description:	Type for configuring the number of group conversions in streaming access mode (in single access mode, parameter is 1).		

] ()

8.2.15 Adc_StreamBufferModeType

[SWS_Adc_00519] [

Name:	Adc_StreamBufferModeType	
Type:	Enumeration	
Range:	ADC_STREAM_BUFFER_LINEAR	-- The ADC Driver stops the conversion as soon as the stream buffer is full (number of samples reached).
	ADC_STREAM_BUFFER_CIRCULAR	-- The ADC Driver continues the conversion even if the stream buffer is full (number of samples reached) by wrapping around the stream buffer itself.
Description:	Type for configuring the streaming access mode buffer type.	

] ()

8.2.16 Adc_GroupAccessModeType

[SWS_Adc_00528] [

Name:	Adc_GroupAccessModeType	
Type:	Enumeration	
Range:	ADC_ACCESS_MODE_SINGLE	-- Single value access mode.
	ADC_ACCESS_MODE_STREAMING	-- Streaming access mode.
Description:	Type for configuring the access mode to group conversion results.	

] ()

8.2.17 Adc_HwTriggerSignalType

[SWS_Adc_00520] [

Name:	Adc_HwTriggerSignalType	
Type:	Enumeration	
Range:	ADC_HW_TRIG_RISING_EDGE	-- React on the rising edge of the hardware trigger signal (only if supported by the ADC hardware).
	ADC_HW_TRIG_FALLING_EDGE	-- React on the falling edge of the hardware trigger signal (only if supported by the ADC hardware).
	ADC_HW_TRIG_BOTH_EDGES	-- React on both edges of the hardware trigger signal (only if supported by the ADC hardware).
Description:	Type for configuring on which edge of the hardware trigger signal the driver should react, i.e. start the conversion (only if supported by the ADC hardware).	

] ()

8.2.18 Adc_HwTriggerTimerType

[SWS_Adc_00521] [

Name:	Adc_HwTriggerTimerType	
Type:	uint	
Range:	--	-- The range of this type is μ C specific and has to be described by the supplier.
Description:	Type for the reload value of the ADC module embedded timer (only if supported by the ADC hardware).	

] ()

8.2.19 Adc_PriorityImplementationType

[SWS_Adc_00522] [

Name:	Adc_PriorityImplementationType	
Type:	Enumeration	
Range:	ADC_PRIORITY_NONE	-- priority mechanism is not available
	ADC_PRIORITY_HW	-- Hardware priority mechanism is available only
	ADC_PRIORITY_HW_SW	-- Hardware and software priority mechanism is available
Description:	Type for configuring the prioritization mechanism.	

] ()

8.2.20 Adc_GroupReplacementType

[SWS_Adc_00523] [

Name:	Adc_GroupReplacementType	
Type:	Enumeration	
Range:	ADC_GROUP_REPL_ABORT_RESTART	-- Abort/Restart mechanism is used on group level, if a group is interrupted by a higher priority group. The complete conversion round of the interrupted group (all group channels) is restarted after the higher priority group conversion is finished. If the group is configured in streaming access mode, only the results of the interrupted conversion round are discarded. Results of previous conversion rounds which are already written to the result buffer are not affected.
	ADC_GROUP_REPL_SUSPEND_RESUME	-- Suspend/Resume mechanism is used on group level, if a group is interrupted by a higher priority group. The conversion round of the interrupted group is completed after the higher priority group conversion is finished. Results of previous conversion rounds which are already written to the result buffer are not affected.
Description:	Replacement mechanism, which is used on ADC group level, if a group conversion is interrupted by a group which has a higher priority.	

] ()

8.2.21 Adc_ChannelRangeSelectType

[SWS_Adc_00524] [

Name:	Adc_ChannelRangeSelectType	
Type:	Enumeration	
Range:	ADC_RANGE_UNDER_LOW	-- Range below low limit - low limit value included
	ADC_RANGE_BETWEEN	-- Range between low limit and high limit - high limit value included
	ADC_RANGE_OVER_HIGH	-- Range above high limit
	ADC_RANGE_ALWAYS	-- Complete range - independent from channel limit settings

	ADC_RANGE_NOT_UNDER_LOW	--	Range above low limit
	ADC_RANGE_NOT_BETWEEN	--	Range above high limit or below low limit - low limit value included
	ADC_RANGE_NOT_OVER_HIGH	--	Range below high limit - high limit value included
Description:	In case of active limit checking: defines which conversion values are taken into account related to the boardes defined with AdcChannelLowLimit and AdcChannelHighLimit.		

] ()

8.2.22 Adc_ResultAlignmentType

[SWS_Adc_00525] [

Name:	Adc_ResultAlignmentType		
Type:	Enumeration		
Range:	ADC_ALIGN_LEFT	--	left alignment
	ADC_ALIGN_RIGHT	--	right alignment
Description:	Type for alignment of ADC raw results in ADC result buffer (left/right alignment).		

] ()

8.2.23 Adc_PowerStateType

[SWS_Adc_00526] [

Name:	Adc_PowerStateType		
Type:	Enumeration		
Range:	1..255	--	power modes with decreasing power consumptions.
	ADC_FULL_POWER	0	Full Power
Description:	Power state currently active or set as target power state.		

] ()

8.2.24 Adc_PowerStateRequestResultType

[SWS_Adc_00527] [

Name:	Adc_PowerStateRequestResultType		
Type:	Enumeration		
Range:	ADC_SERVICE_ACCEPTED	0	Power state change executed.
	ADC_NOT_INIT	1	ADC Module not initialized.
	ADC_SEQUENCE_ERROR	2	Wrong API call sequence.
	ADC_HW_FAILURE	3	The HW module has a failure which prevents it to enter the required power state.
	ADC_POWER_STATE_NOT_SUPP	4	ADC Module does not support the requested power state.
	ADC_TRANS_NOT_POSSIBLE	5	ADC Module cannot transition directly from the current power state to the requested power state or the HW peripheral is still busy.
Description:	Result of the requests related to power state transitions.		

] ()

8.3 Function definitions

8.3.1 Adc_Init

[SWS_Adc_00365] [

Service name:	Adc_Init	
Syntax:	<pre>void Adc_Init(const Adc_ConfigType* ConfigPtr)</pre>	
Service ID[hex]:	0x00	
Sync/Async:	Synchronous	
Reentrancy:	Non Reentrant	
Parameters (in):	ConfigPtr	Pointer to configuration set in Variant PB (Variant PC requires a NULL_PTR).
Parameters (inout):	None	
Parameters (out):	None	
Return value:	None	
Description:	Initializes the ADC hardware units and driver.	

] ()

[SWS_Adc_00054] [In case of Variant PB: The function Adc_Init shall initialize the ADC hardware units and driver according to the configuration set referenced by ConfigPtr.] (SRS_BSW_00405, SRS_BSW_00101, SRS_BSW_00414, SRS_SPAL_12057, SRS_SPAL_12461)

[SWS_Adc_00056] [The function Adc_Init shall only initialize the configured resources. Resources that are not contained in the configuration file shall not be touched.] (SRS_SPAL_12125)

The following rules regarding initialization of controller registers apply to this driver implementation:

- **[SWS_Adc_00246]** [If the hardware allows for only one usage of the register, the driver module implementing that functionality is responsible for initializing the register.] (SRS_SPAL_12461)
- **[SWS_Adc_00247]** [If the register can affect several hardware modules and if it is an I/O register, it shall be initialized by the PORT driver.] (SRS_SPAL_12461)
- **[SWS_Adc_00248]** [If the register can affect several hardware modules and if it is not an I/O register, it shall be initialized by the MCU driver.] (SRS_SPAL_12461)
- **[SWS_Adc_00249]** [One-time writable registers that require initialization directly after reset shall be initialized by the startup code.] (SRS_SPAL_12461)
- **[SWS_Adc_00250]** [All other registers shall be initialized by the startup code.] (SRS_SPAL_12461)

[SWS_Adc_00077] [The function `Adc_Init` shall disable the notifications and hardware trigger capability (if statically configured as active).] (SRS_Adc_12318)

[SWS_Adc_00307] [The function `Adc_Init` shall set all groups to `ADC_IDLE` state.]
()

[SWS_Adc_00107] [If development error detection for the ADC module is enabled: if called when the ADC driver and hardware are already initialized, the function `Adc_Init` shall raise development error `ADC_E_ALREADY_INITIALIZED` and return without any action.] (SRS_BSW_00406, SRS_BSW_00386, SRS_SPAL_12448)

8.3.2 Adc_SetupResultBuffer

[SWS_Adc_00419] [

Service name:	Adc_SetupResultBuffer	
Syntax:	Std_ReturnType Adc_SetupResultBuffer (Adc_GroupType Group, const Adc_ValueGroupType* DataBufferPtr)	
Service ID[hex]:	0x0c	
Sync/Async:	Synchronous	
Reentrancy:	Reentrant	
Parameters (in):	Group	Numeric ID of requested ADC channel group.
	DataBufferPtr	pointer to result data buffer
Parameters (inout):	None	
Parameters (out):	None	
Return value:	Std_ReturnType	E_OK: result buffer pointer initialized correctly E_NOT_OK: operation failed or development error occurred
	Description: Initializes ADC driver with the group specific result buffer start address where the conversion results will be stored. The application has to ensure that the application buffer, where <code>DataBufferPtr</code> points to, can hold all the conversion results of the specified group. The initialization with <code>Adc_SetupResultBuffer</code> is required after reset, before a group conversion can be started.	

] ()

[SWS_Adc_00420] [The function `Adc_SetupResultBuffer` shall initialize the result buffer pointer of the selected group with the address value passed as parameter.] ()

[SWS_Adc_00421] [The ADC module's environment shall ensure that no group conversions are started without prior initialization of the according result buffer pointer to point to a valid result buffer.] ()

[SWS_Adc_00422] [The ADC module's environment shall ensure that the application buffer, which address is passed as parameter in `Adc_SetupResultBuffer`, has the according size to hold all group channel conversion results and if streaming

access is selected, hold these results multiple times as specified with streaming sample parameter (see ADC292).] ()

[SWS_Adc_00423] [If development error detection for the ADC module is enabled: if the channel group ID is non-existing, the function `Adc_SetupResultBuffer` shall raise development error `ADC_E_PARAM_GROUP` and return without any action.] ()

[SWS_Adc_00433] [If called while group is not in state `ADC_IDLE`, function `Adc_SetupResultBuffer` shall report a runtime error `ADC_E_BUSY`.] ()

[SWS_Adc_00434] [If development error detection for the ADC module is enabled: when called prior to initializing the driver, the function `Adc_SetupResultBuffer` shall raise development error `ADC_E_UNINIT`.] ()

[SWS_Adc_00457] [If development error detection for the ADC module is enabled: when called with a `NULL_PTR` as `DataBufferPtr`, the function `Adc_SetupResultBuffer` shall raise development error `ADC_E_PARAM_POINTER`.] ()

8.3.3 Adc_DeInit

[SWS_Adc_00366] [

Service name:	<code>Adc_DeInit</code>
Syntax:	<code>void Adc_DeInit(void)</code>
Service ID[hex]:	<code>0x01</code>
Sync/Async:	Synchronous
Reentrancy:	Non Reentrant
Parameters (in):	None
Parameters (inout):	None
Parameters (out):	None
Return value:	None
Description:	Returns all ADC HW Units to a state comparable to their power on reset state.

] ()

[SWS_Adc_00110] [The function `Adc_DeInit` shall return all ADC HW Units to a state comparable to their power on reset state. Values of registers which are not writeable are excluded. It's the responsibility of the hardware design that this state does not lead to undefined activities in the μ C.] (SRS_SPAL_12163)

[SWS_Adc_00111] [The function `Adc_DeInit` shall disable all used interrupts and notifications.] (SRS_BSW_00336, SRS_SPAL_12163)

[SWS_Adc_00358] [The ADC module's environment shall not call the function `Adc_DeInit` while any group is not in state `ADC_IDLE`.] ()

[SWS_Adc_00228] [The function `Adc_DelInit` shall be pre compile time configurable On/Off by the configuration parameter: `AdcDelInitApi`.] (SRS_BSW_00171)

[SWS_Adc_00112] [If called while not all groups are either in state `ADC_IDLE` or state `ADC_STREAM_COMPLETED`, while no conversion is ongoing (ADC groups which are implicitly stopped), the function `Adc_DelInit` shall report a runtime error.]

[SWS_Adc_00154] [If development error detection for the ADC module is enabled: if called before the module has been initialized, the function `Adc_DelInit` shall raise development error `ADC_E_UNINIT` and return without any action.] (SRS_BSW_00406, SRS_BSW_00386, SRS_SPAL_12448)

8.3.4 `Adc_StartGroupConversion`

[SWS_Adc_00367] [

Service name:	<code>Adc_StartGroupConversion</code>
Syntax:	<code>void Adc_StartGroupConversion(Adc_GroupType Group)</code>
Service ID[hex]:	<code>0x02</code>
Sync/Async:	Asynchronous
Reentrancy:	Reentrant
Parameters (in):	Group Numeric ID of requested ADC Channel group.
Parameters (inout):	None
Parameters (out):	None
Return value:	None
Description:	Starts the conversion of all channels of the requested ADC Channel group.

] ()

[SWS_Adc_00061] [The function `Adc_StartGroupConversion` shall start the conversion of all channels of the requested ADC Channel group. Depending on the group configuration, one-shot or continuous conversion is started.]
(SRS_Adc_12364)

[SWS_Adc_00431] [The function `Adc_StartGroupConversion` shall reset the internal result buffer pointer, that conversion result storage always starts, after calling `Adc_StartGroupConversion`, at the result buffer base address which was configured with `Adc_SetupResultBuffer`.] ()

[SWS_Adc_00156] [The function `Adc_StartGroupConversion` shall NOT automatically enable the notification mechanism for that group (this has to be done by a separate API call).] (SRS_Adc_12317, SRS_Adc_12318)

[SWS_Adc_00146] [The ADC module's environment shall only call `Adc_StartGroupConversion` for groups configured with software trigger source.]
(SRS_Adc_12817, SRS_Adc_12364)

[SWS_Adc_00259] [The function `Adc_StartGroupConversion` shall be pre-compile time configurable On/Off by the configuration parameter `AdcEnableStartStopGroupApi`.] (SRS_BSW_00171)

[SWS_Adc_00125] [If development error detection for the ADC module is enabled: when called with a non-existing channel group ID, function `Adc_StartGroupConversion` shall raise development error `ADC_E_PARAM_GROUP` and return without any action.] (SRS_BSW_00323, SRS_BSW_00386, SRS_SPAL_12448)

[SWS_Adc_00133] [If development error detection for the ADC module is enabled: when called on a group with trigger source configured as hardware, function `Adc_StartGroupConversion` shall raise development error `ADC_E_WRONG_TRIGG_SRC` and return without any action.] (SRS_BSW_00386, SRS_SPAL_12448)

[SWS_Adc_00346] [If the priority mechanism is disabled and the queuing is disabled : when called while any of the groups, which can not be implicitly stopped, is not in state ADC_IDLE , the function Adc_StartGroupConversion shall report a runtime error ADC_E_BUSY.] ()

Note: The condition that any group is not in state ADC_IDLE means in this context:

- Any conversion is ongoing
or
- Any HW trigger is enabled

[SWS_Adc_00426] [If the priority mechanism is disabled and the queuing is disabled: when called while any of the groups, which can be implicitly stopped, is not in state ADC_IDLE and not in state ADC_STREAM_COMPLETED, the function Adc_StartGroupConversion shall report a runtime error ADC_E_BUSY.] ()

Note: Groups which can be implicitly stopped are:

- Software triggered groups configured in one-shot, single-access mode
- Software triggered groups configured in continuous, linear streaming access mode
- Hardware triggered groups configured in one-shot, linear streaming access mode

[SWS_Adc_00348] [If the priority mechanism is enabled: when called while a group, which can not be implicitly stopped, is not in state ADC_IDLE, the function Adc_StartGroupConversion shall report a runtime error ADC_E_BUSY.] ()

Note: The condition that the group is not in state ADC_IDLE means in this context:

- The conversion of the same group is currently ongoing
or
- A conversion request for the same group is already stored one time in the queue

[SWS_Adc_00427] [If the priority mechanism is enabled: when called while a group, which can be implicitly stopped, is not in state ADC_IDLE and not in state ADC_STREAM_COMPLETED, the function Adc_StartGroupConversion shall report a runtime error ADC_E_BUSY.] ()

[SWS_Adc_00351] [If the priority mechanism is disabled and the queuing is enabled: when called while a group, which can not be implicitly stopped, is not in state ADC_IDLE, the function Adc_StartGroupConversion shall report a runtime error ADC_E_BUSY.] ()

[SWS_Adc_00428] [If the priority mechanism is disabled and the queuing is enabled: when called while a group, which can be implicitly stopped, is not in state ADC_IDLE and not in state ADC_STREAM_COMPLETED, the function Adc_StartGroupConversion shall report a runtime error ADC_E_BUSY.] ()

[SWS_Adc_00294] [If development error detection for the ADC module is enabled: when called prior to initializing the driver, the function Adc_StartGroupConversion shall raise development error ADC_E_UNINIT.] (SRS_BSW_00406)

[SWS_Adc_00424] [If development error detection for the ADC module is enabled: when called prior to initializing the result buffer pointer with function Adc_SetupResultBuffer, the function Adc_StartGroupConversion shall raise development error ADC_E_BUFFER_UNINIT.] ()

8.3.5 Adc_StopGroupConversion

[SWS_Adc_00368] [

Service name:	Adc_StopGroupConversion
Syntax:	void Adc_StopGroupConversion(Adc_GroupType Group)
Service ID[hex]:	0x03
Sync/Async:	Synchronous
Reentrancy:	Reentrant
Parameters (in):	Group Numeric ID of requested ADC Channel group.
Parameters (inout):	None
Parameters (out):	None
Return value:	None
Description:	Stops the conversion of the requested ADC Channel group.

] ()

[SWS_Adc_00385] [When the ADC Channel Group is in one-shot and software-trigger mode, the function `Adc_StopGroupConversion` shall stop an ongoing conversion of the group.] (SRS_Adc_12364)

[SWS_Adc_00437] [When the ADC Channel Group is in one-shot and software-trigger mode, the function `Adc_StopGroupConversion` shall remove a start/restart request of the group from the queue, if queuing is enabled and a start/restart request is stored in the queue.] ()

[SWS_Adc_00386] [When the ADC Channel Group is in continuous-conversion and software-trigger mode, the function `Adc_StopGroupConversion` shall stop an ongoing conversion of the group.] (SRS_Adc_12364)

[SWS_Adc_00438] [When the ADC Channel Group is in continuous-conversion and software-trigger mode, the function `Adc_StopGroupConversion` shall remove a start/restart request of the group from the queue, if queuing is enabled and a start/restart request is stored in the queue.] ()

[SWS_Adc_00155] [The function `Adc_StopGroupConversion` shall automatically disable group notification for the requested group.] (SRS_Adc_12317)

Note:

Groups which are implicitly stopped shall not disable the group notification until `Adc_StopGroupConversion` is called.

[SWS_Adc_00360] [The function `Adc_StopGroupConversion` shall set the group status to state `ADC_IDLE`.] ()

[SWS_Adc_00283] [The ADC module's environment shall only call the function `Adc_StopGroupConversion` for groups configured with trigger source software.] (SRS_Adc_12817)

[SWS_Adc_00260] [The function `Adc_StopGroupConversion` shall be pre compile time configurable On/Off by the configuration parameter `AdcEnableStartStopGroupApi`.] (SRS_BSW_00171)

[SWS_Adc_00126] [If development error detection for the ADC module is enabled: if the group ID is non-existing, the function `Adc_StopGroupConversion` shall raise development error `ADC_E_PARAM_GROUP` and return without any action.] (SRS_BSW_00323, SRS_BSW_00386, SRS_SPAL_12448)

[SWS_Adc_00164] [If development error detection for the ADC module is enabled: if the group has a trigger source configured as hardware, function `Adc_StopGroupConversion` shall raise development error `ADC_E_WRONG_TRIGG_SRC` and return without any action.] (SRS_BSW_00386, SRS_SPAL_12448)

[SWS_Adc_00241] [When called while the group is in state `ADC_IDLE`, the function `Adc_StopGroupConversion` shall report a runtime error `ADC_E_IDLE`.] (SRS_BSW_00323, SRS_BSW_00386, SRS_SPAL_12448)

Note: For groups which are implicitly stopped (groups with conversion mode one-shot or groups with linear streaming buffer mode), state is `ADC_STREAM_COMPLETED` until results are accessed with `Adc_ReadGroup` or `Adc_GetStreamLastPointer` API functions or until group is explicitly stopped by `Adc_StopGroupConversion` API.

[SWS_Adc_00295] [If development error detection for the ADC module is enabled: if called prior to initializing the module, function `Adc_StopGroupConversion` shall raise development error `ADC_E_UNINIT` and return without any action.] (SRS_BSW_00406)

Note:

All groups which are started with `Adc_StartGroupConversion` should also be stopped with `Adc_StopGroupConversion`, before they are started again to reset the group status to `ADC_IDLE`. Exceptions to this rule are groups which are implicitly stopped because of the selected conversion mode (linear buffer with streaming access mode or one-shot conversion mode with single access). These groups can also be restarted while the group is in state `ADC_STREAM_COMPLETED`.

8.3.6 Adc_ReadGroup

[SWS_Adc_00369] [

Service name:	Adc_ReadGroup	
Syntax:	Std_ReturnType Adc_ReadGroup(Adc_GroupType Group, Adc_ValueGroupType* DataBufferPtr)	
Service ID[hex]:	0x04	
Sync/Async:	Synchronous	
Reentrancy:	Reentrant	
Parameters (in):	Group	Numeric ID of requested ADC channel group.

Parameters (inout):	None	
Parameters (out):	DataBufferPtr	ADC results of all channels of the selected group are stored in the data buffer addressed with the pointer.
Return value:	Std_ReturnType	E_OK: results are available and written to the data buffer E_NOT_OK: no results are available or development error occurred
Description:	Reads the group conversion result of the last completed conversion round of the requested group and stores the channel values starting at the DataBufferPtr address. The group channel values are stored in ascending channel number order (in contrast to the storage layout of the result buffer if streaming access is configured).	

] ()

[SWS_Adc_00075] [The function Adc_ReadGroup shall read the latest available conversion results of the requested group.] ()

[SWS_Adc_00113] [The function Adc_ReadGroup shall read the raw converted values without further scaling. The read values shall be aligned according the configuration parameter setting of ADC_RESULT_ALIGNMENT.]
(SRS_SPAL_12063, SRS_Adc_12819, SRS_Adc_12292, SRS_Adc_12824)

[SWS_Adc_00122] [If applicable, the function Adc_ReadGroup shall mask out all information or diagnostic bits provided by the conversion but not belonging to the conversion results themselves.] (SRS_Adc_12283, SRS_Adc_12819)

[SWS_Adc_00329] [Calling function Adc_ReadGroup while group status is ADC_STREAM_COMPLETED shall trigger a state transition to ADC_BUSY for continuous conversion modes (single access mode or circular streaming buffer mode) and hardware triggered groups in single access mode or circular streaming access mode.] (SRS_Adc_12291)

[SWS_Adc_00330] [Calling function Adc_ReadGroup while group status is ADC_STREAM_COMPLETED shall trigger a state transition to ADC_IDLE for software triggered conversion modes which automatically stop the conversion (streaming buffer with linear access mode or one-shot conversion mode with single access) and for the hardware triggered conversion mode in combination with linear streaming access mode.] (SRS_Adc_12291)

[SWS_Adc_00331] [Calling function Adc_ReadGroup while group status is ADC_COMPLETED shall trigger a state transition to ADC_BUSY.]
(SRS_Adc_12291)

[SWS_Adc_00359] [The function Adc_ReadGroup shall be pre-compile configurable On/Off by the configuration parameter AdcReadGroupApi.] ()

[SWS_Adc_00388] [When called while the group status is ADC_IDLE and the group conversion was not started (no results are available from previous conversions), the function Adc_ReadGroup shall report a runtime error ADC_E_IDLE.] ()

[SWS_Adc_00152] [If development error detection for the ADC module is enabled: if the group ID is non-existing, the function `Adc_ReadGroup` shall raise development error `ADC_E_PARAM_GROUP` and return `E_NOT_OK`.] (SRS_BSW_00323, SRS_BSW_00386, SRS_SPAL_12448)

[SWS_Adc_00296] [If development error detection for the ADC module is enabled: when called prior to initializing the driver, the function `Adc_ReadGroup` shall raise development error `ADC_E_UNINIT` and return `E_NOT_OK`.] ()

8.3.7 Adc_EnableHardwareTrigger

[SWS_Adc_00370] [

Service name:	<code>Adc_EnableHardwareTrigger</code>
Syntax:	<code>void Adc_EnableHardwareTrigger(Adc_GroupType Group)</code>
Service ID[hex]:	<code>0x05</code>
Sync/Async:	Synchronous
Reentrancy:	Reentrant
Parameters (in):	Group Numeric ID of requested ADC Channel group.
Parameters (inout):	None
Parameters (out):	None
Return value:	None
Description:	Enables the hardware trigger for the requested ADC Channel group.

] ()

[SWS_Adc_00114] [The function `Adc_EnableHardwareTrigger` shall enable the hardware trigger for the requested ADC Channel group.] (SRS_Adc_12823)

Note: `Adc_EnableHardwareTrigger` can only be used for ADC internal trigger sources controlled from the ADC hardware.

[SWS_Adc_00144] [A group with trigger source hardware, whose trigger was enabled with `Adc_EnableHardwareTrigger`, shall execute the group channel conversions, whenever a trigger event occurs.] (SRS_Adc_12823)

[SWS_Adc_00432] [The function `Adc_EnableHardwareTrigger` shall reset the internal group result buffer pointer, that conversion result storage always starts, after calling `Adc_EnableHardwareTrigger`, at the result buffer base address which was configured with `Adc_SetupResultBuffer`.] ()

[SWS_Adc_00273] [The ADC module's environment shall guarantee that no concurrent conversions take place on the same HW Unit (happening of different hardware triggers at the same time).] (SRS_Adc_12823)

Note: The reason for SWS_Adc_00273 is that the ADC module can only handle one group conversion request per HW Unit at the same time. In case of concurrent HW conversion requests, the HW prioritization mechanism controls the conversion order.

[SWS_Adc_00120] [The ADC module's environment shall only call the function `Adc_EnableHardwareTrigger` for groups configured in hardware trigger mode (see `AdcGroupTriggSrc`).] (SRS_BSW_00171)

[SWS_Adc_00265] [The function `Adc_EnableHardwareTrigger` shall be pre-compile time configurable On/Off by the configuration parameter `AdcHwTriggerApi`.] (SRS_BSW_00171)

[SWS_Adc_00321] [If the priority mechanism is disabled and queuing disabled: when called while any group with trigger source SW is not in state `ADC_IDLE`, the function `Adc_EnableHardwareTrigger` shall report a runtime error `ADC_E_BUSY`.] ()

[SWS_Adc_00349] [If the HW trigger for the group is already enabled, the function `Adc_EnableHardwareTrigger` shall report a runtime error `ADC_E_BUSY`.] ()

[SWS_Adc_00353] [If the maximum number of available hardware triggers is already enabled (device and implementation specific), the function `Adc_EnableHardwareTrigger` shall report a runtime error `ADC_E_BUSY`.] ()

[SWS_Adc_00128] [If development error detection for the ADC module is enabled: if the channel group ID is invalid, the function `Adc_EnableHardwareTrigger` shall raise development error `ADC_E_PARAM_GROUP` and return without any action.] (SRS_BSW_00323, SRS_BSW_00386, SRS_SPAL_12448)

[SWS_Adc_00136] [If development error detection for the ADC module is enabled: if the group is configured for software API trigger mode, the function `Adc_EnableHardwareTrigger` shall raise development error `ADC_E_WRONG_TRIGG_SRC` and return without any action.] (SRS_BSW_00386, SRS_SPAL_12448)

[SWS_Adc_00281] [If development error detection for the ADC module is enabled: if a HW group is erroneously configured for continuous conversion mode, the function `Adc_EnableHardwareTrigger` shall raise development error `ADC_E_WRONG_CONV_MODE` and return without any action.] (SRS_Adc_12823)

Note: SW groups configured in continuous conversion mode shall raise development error `ADC_E_WRONG_TRIGG_SRC` instead.

[SWS_Adc_00297] [If development error detection for the ADC module is enabled: if called prior to initializing the driver, the function `Adc_EnableHardwareTrigger` shall raise development error `ADC_E_UNINIT` and return without any action.] (SRS_BSW_00406)

[SWS_Adc_00425] [If development error detection for the ADC module is enabled: when called prior to initializing the result buffer pointer with function `Adc_SetupResultBuffer`, the function `Adc_EnableHardwareTrigger` shall raise development error `ADC_E_BUFFER_UNINIT.`] ()

8.3.8 `Adc_DisableHardwareTrigger`

[SWS_Adc_00371] [

Service name:	<code>Adc_DisableHardwareTrigger</code>
Syntax:	<code>void Adc_DisableHardwareTrigger(Adc_GroupType Group)</code>
Service ID[hex]:	0x06
Sync/Async:	Synchronous
Reentrancy:	Reentrant
Parameters (in):	Group Numeric ID of requested ADC Channel group.
Parameters (inout):	None
Parameters (out):	None
Return value:	None
Description:	Disables the hardware trigger for the requested ADC Channel group.

] ()

[SWS_Adc_00116] [The function `Adc_DisableHardwareTrigger` shall disable the hardware trigger for the requested ADC Channel group.] (SRS_Adc_12823)

[SWS_Adc_00429] [The function `Adc_DisableHardwareTrigger` shall remove any queued start/restart request for the requested ADC Channel group if queuing is enabled.] ()

[SWS_Adc_00145] [The function `Adc_DisableHardwareTrigger` shall abort an ongoing conversion, if applicable (supported by the hardware).] (SRS_Adc_12364)

[SWS_Adc_00157] [If enabled, the function `Adc_DisableHardwareTrigger` shall disable the notification mechanism for the requested group.] (SRS_Adc_12317, SRS_Adc_12318, SRS_Adc_12364)

[SWS_Adc_00361] [The function `Adc_DisableHardwareTrigger` shall set the group status to state `ADC_IDLE.`] ()

[SWS_Adc_00121] [The ADC module's environment shall only call the function `Adc_DisableHardwareTrigger` for groups configured in hardware trigger mode (see `AdcGroupTriggSrc`).] (SRS_BSW_00171)

[SWS_Adc_00266] [The function `Adc_DisableHardwareTrigger` shall be pre-compile time configurable On/Off by the configuration parameter `AdcHwTriggerApi`.]
(SRS_BSW_00171)

[SWS_Adc_00129] [If development error detection for the ADC module is enabled: if the channel group ID is non-existing, the function `Adc_DisableHardwareTrigger` shall raise development error `ADC_E_PARAM_GROUP` and return without any action.]
(SRS_BSW_00323, SRS_BSW_00386, SRS_SPAL_12448)

[SWS_Adc_00137] [If development error detection for the ADC module is enabled: if the group is configured for software API trigger mode, the function `Adc_DisableHardwareTrigger` shall raise development error `ADC_E_WRONG_TRIGG_SRC` and return without any action.] (SRS_BSW_00386, SRS_SPAL_12448)

[SWS_Adc_00282] [If development error detection for the ADC module is enabled: if a HW group is erroneously configured for continuous conversion mode, the function `Adc_DisableHardwareTrigger` shall raise development error `ADC_E_WRONG_CONV_MODE` and return without any action.] (SRS_Adc_12823)

Note: SW groups configured in continuous conversion mode shall raise development error `ADC_E_WRONG_TRIGG_SRC` instead.

[SWS_Adc_00304] [If the group is not enabled (with a previous call of `Adc_EnableHardwareTrigger`), the function `Adc_DisableHardwareTrigger` shall report a runtime error `ADC_E_IDLE`.] ()

[SWS_Adc_00298] [If development error detection for the ADC module is enabled: if called prior to initializing the ADC module, `Adc_DisableHardwareTrigger` shall raise development error `ADC_E_UNINIT` and return without any action.]
(SRS_BSW_00406)

Note:

All groups which are enabled with `Adc_EnableHardwareTrigger` should also be disabled with `Adc_DisableHardwareTrigger`, before they are enabled again, even if they are implicitly stopped because of the selected conversion mode (streaming buffer with linear access mode).

8.3.9 Adc_EnableGroupNotification

[SWS_Adc_00372] [

Service name:	<code>Adc_EnableGroupNotification</code>
Syntax:	<code>void Adc_EnableGroupNotification(Adc_GroupType Group)</code>

Service ID[hex]:	0x07
Sync/Async:	Synchronous
Reentrancy:	Reentrant
Parameters (in):	Group Numeric ID of requested ADC Channel group.
Parameters (inout):	None
Parameters (out):	None
Return value:	None
Description:	Enables the notification mechanism for the requested ADC Channel group.

] ()

[SWS_Adc_00057] [The function `Adc_EnableGroupNotification` shall enable the notification mechanism for the requested ADC Channel group.] (SRS_SPAL_00157, SRS_Adc_12318)

[SWS_Adc_00100] [The function `Adc_EnableGroupNotification` shall be pre-compile time configurable On/Off by the configuration parameter `AdcGrpNotifCapability`.] (SRS_Adc_12447)

[SWS_Adc_00130] [If development error detection for the ADC module is enabled: if the channel group ID is non-existing, the function `Adc_EnableGroupNotification` shall raise development error `ADC_E_PARAM_GROUP` and return without any action.] (SRS_BSW_00323, SRS_BSW_00386, SRS_SPAL_12448,)

[SWS_Adc_00165] [If development error detection for the ADC module is enabled: if the group notification function pointer is NULL, the function `Adc_EnableGroupNotification` shall raise development error `ADC_E_NOTIF_CAPABILITY` and return without any action.] (SRS_BSW_00386, SRS_SPAL_12448)

[SWS_Adc_00299] [If development error detection for the ADC module is enabled: if called prior to initializing the ADC module, `Adc_EnableGroupNotification` shall raise development error `ADC_E_UNINIT` and return without any action.] (SRS_BSW_00406)

8.3.10 Adc_DisableGroupNotification

[SWS_Adc_00373] [

Service name:	<code>Adc_DisableGroupNotification</code>
Syntax:	<code>void Adc_DisableGroupNotification(Adc_GroupType Group)</code>
Service ID[hex]:	0x08
Sync/Async:	Synchronous
Reentrancy:	Reentrant
Parameters (in):	Group Numeric ID of requested ADC Channel group.

Parameters (inout):	None
Parameters (out):	None
Return value:	None
Description:	Disables the notification mechanism for the requested ADC Channel group.

] ()

[SWS_Adc_00058] [The function `Adc_DisableGroupNotification` shall disable the notification mechanism for the requested ADC Channel group.] (SRS_SPAL_00157, SRS_Adc_12318)

[SWS_Adc_00101] [The function `Adc_DisableGroupNotification` shall be pre-compile time configurable On/Off by the configuration parameter `AdcGrpNotifCapability`] (SRS_Adc_12447)

[SWS_Adc_00131] [If development error detection for the ADC module is enabled: if the channel group ID is non-existing, the function `Adc_DisableGroupNotification` shall raise development error `ADC_E_PARAM_GROUP` and return without any action.] (SRS_BSW_00323, SRS_BSW_00386, SRS_SPAL_12448)

[SWS_Adc_00166] [If development error detection for the ADC module is enabled: if the group notification function pointer is NULL, the function `Adc_DisableGroupNotification` shall raise development error `ADC_E_NOTIF_CAPABILITY` and return without any action.] (SRS_BSW_00386, SRS_SPAL_12448)

[SWS_Adc_00300] [If development error detection for the ADC module is enabled: if called prior to initializing the ADC module, `Adc_DisableGroupNotification` shall raise development error `ADC_E_UNINIT` and return without any action.] (SRS_BSW_00406)

8.3.11 `Adc_GetGroupStatus`

[SWS_Adc_00374] [

Service name:	<code>Adc_GetGroupStatus</code>	
Syntax:	<code>Adc_StatusType Adc_GetGroupStatus (</code> <code> Adc_GroupType Group</code> <code>)</code>	
Service ID[hex]:	0x09	
Sync/Async:	Synchronous	
Reentrancy:	Reentrant	
Parameters (in):	Group	Numeric ID of requested ADC Channel group.
Parameters (inout):	None	
Parameters (out):	None	
Return value:	<code>Adc_StatusType</code>	Conversion status for the requested group.
Description:	Returns the conversion status of the requested ADC Channel group.	

] ()

[SWS_Adc_00220] [The function `Adc_GetGroupStatus` shall return the conversion status of the requested ADC Channel group.] (SRS_Adc_12291)

[SWS_Adc_00221] [The function `Adc_GetGroupStatus` shall return `ADC_IDLE`:

- If `Adc_GetGroupStatus` is called before the conversion of the requested group has been started
- For groups with trigger source software: If `Adc_GetGroupStatus` is called after the conversion was stopped with `Adc_StopGroupConversion`
- In continuous group conversion mode with linear streaming access mode: If `Adc_GetGroupStatus` is called after calling `Adc_GetStreamLastPointer` (group was in state `ADC_STREAM_COMPLETED` while calling `Adc_GetStreamLastPointer`).
- In continuous group conversion mode with linear streaming access mode: If `Adc_GetGroupStatus` is called after calling `Adc_ReadGroup` (group was in state `ADC_STREAM_COMPLETED` while calling `Adc_ReadGroup`).
- In one-shot SW conversion mode: If `Adc_GetGroupStatus` is called after calling `Adc_GetStreamLastPointer`.
- In one-shot SW conversion mode: If `Adc_GetGroupStatus` is called after calling `Adc_ReadGroup`.
- For groups with trigger source hardware: If `Adc_GetGroupStatus` is called after calling `Adc_DisableHardwareTrigger`
- For groups with trigger source hardware and linear streaming access mode: If `Adc_GetGroupStatus` is called after calling `Adc_GetStreamLastPointer` (group was in state `ADC_STREAM_COMPLETED` while calling `Adc_GetStreamLastPointer`).
- For groups with trigger source hardware and linear streaming access mode: If `Adc_GetGroupStatus` is called after calling `Adc_ReadGroup` (group was in state `ADC_STREAM_COMPLETED` while calling `Adc_ReadGroup`).]

(SRS_BSW_00335, SRS_Adc_12291)

[SWS_Adc_00222] [The function `Adc_GetGroupStatus` shall return `ADC_BUSY`:

- If it is called while the first conversion round of the requested group is still ongoing (continuous conversion mode).
- Once trigger is enabled for group with HW trigger source.
- Once `Adc_StartGroupConversion` is called for group with SW trigger source.
- In continuous group conversion mode with single access mode: If `Adc_GetGroupStatus` is called after calling `Adc_GetStreamLastPointer`
- In continuous group conversion mode with single access mode: If `Adc_GetGroupStatus` is called after calling `Adc_ReadGroup`.
- In continuous group conversion mode with circular streaming access mode: If `Adc_GetGroupStatus` is called after calling `Adc_GetStreamLastPointer`
- In continuous group conversion mode with circular streaming access mode If `Adc_GetGroupStatus` is called after calling `Adc_ReadGroup`.
- In continuous group conversion mode with linear streaming access mode: If `Adc_GetGroupStatus` is called after calling `Adc_GetStreamLastPointer` (group was in state `ADC_COMPLETED` while calling `Adc_GetStreamLastPointer`).
- In continuous group conversion mode with linear streaming access mode: If `Adc_GetGroupStatus` is called after calling `Adc_ReadGroup` (group was in state `ADC_COMPLETED` while calling `Adc_ReadGroup`).
- In one-shot HW conversion mode and single access mode: If `Adc_GetGroupStatus` is called after calling `Adc_GetStreamLastPointer`.
- In one-shot HW conversion mode and single access mode: If `Adc_GetGroupStatus` is called after calling `Adc_ReadGroup`.
- In one-shot HW conversion mode and circular streaming access mode: If `Adc_GetGroupStatus` is called after calling `Adc_GetStreamLastPointer`.
- In one-shot HW conversion mode and circular streaming access mode: If `Adc_GetGroupStatus` is called after calling `Adc_ReadGroup`.
- In one-shot HW conversion mode and linear streaming access mode: If `Adc_GetGroupStatus` is called after calling `Adc_GetStreamLastPointer` (group was in state `ADC_COMPLETED` while calling `Adc_GetStreamLastPointer`).
- In one-shot HW conversion mode and linear streaming access mode: If `Adc_GetGroupStatus` is called after calling `Adc_ReadGroup` (group was in state `ADC_COMPLETED` while calling `Adc_ReadGroup`).] (SRS_BSW_00335, SRS_Adc_12291)

[SWS_Adc_00224] [The function `Adc_GetGroupStatus` shall return `ADC_COMPLETED`:

- If it is called after a conversion round (not the final one) of the requested group has been finished.] (SRS_BSW_00335, SRS_Adc_12291)

[SWS_Adc_00325] [The function `Adc_GetGroupStatus` shall return `ADC_STREAM_COMPLETED`:

- If it is called in single access mode after one conversion round is completed.
- If it is called in streaming access mode after the number of conversion rounds of the requested group have been finished, to fill the streaming buffer completely.

] (SRS_Adc_12291)

[SWS_Adc_00226] [The function `Adc_GetGroupStatus` shall provide atomic access to the status data by the use of atomic instructions.] (SRS_Adc_12291)

[SWS_Adc_00305] [To guarantee consistent returned values, it is assumed that ADC group conversion is always started (or enabled in case of HW group) successfully by SW before status polling begins.] ()

[SWS_Adc_00225] [If development error detection for the ADC module is enabled: if the channel group ID is non-existing, the function `Adc_GetGroupStatus` shall raise development error `ADC_E_PARAM_GROUP` and return `ADC_IDLE` without any action.] (SRS_BSW_00323, SRS_BSW_00386, SRS_SPAL_12448)

[SWS_Adc_00301] [If development error detection for the ADC module is enabled: if called prior to initializing the ADC module, `Adc_GetGroupStatus` shall raise development error `ADC_E_UNINIT` and return `ADC_IDLE` without any action.] (SRS_BSW_00406)

[SWS_Adc_00436] [In case of an aborted/suspended group, the state of the queued group remains the same as it was before the group was aborted/suspended.] ()

8.3.12 `Adc_GetStreamLastPointer`

[SWS_Adc_00375] [

Service name:	<code>Adc_GetStreamLastPointer</code>	
Syntax:	<code>Adc_StreamNumSampleType Adc_GetStreamLastPointer(Adc_GroupType Group, Adc_ValueGroupType** PtrToSamplePtr)</code>	
Service ID[hex]:	0x0b	
Sync/Async:	Synchronous	
Reentrancy:	Reentrant	
Parameters (in):	Group	Numeric ID of requested ADC Channel group.
Parameters (inout):	None	
Parameters (out):	<code>PtrToSamplePtr</code>	Pointer to result buffer pointer.
Return value:	<code>Adc_StreamNumSampleType</code>	Number of valid samples per channel.
Description:	Returns the number of valid samples per channel, stored in the result buffer. Reads a pointer, pointing to a position in the group result buffer. With the pointer position, the results of all group channels of the last completed conversion round can be accessed. With the pointer and the return value, all valid group conversion results can be accessed (the user has to take the layout of the result buffer into account).	

] ()

[SWS_Adc_00214] [The function `Adc_GetStreamLastPointer` shall set the pointer, passed as parameter (`PtrToSamplePtr`) to point in the ADC result buffer to the latest result of the first group channel of the last completed conversion round.]
(SRS_Adc_12292, SRS_Adc_12802)

[SWS_Adc_00418] [All values which the ADC driver stores in the ADC result buffer, are left without further scaling and shall be aligned according the configuration parameter setting of `ADC_RESULT_ALIGNMENT`.] ()

[SWS_Adc_00387] [The function `Adc_GetStreamLastPointer` shall return the number of valid samples per channel, stored in the ADC result buffer.] ()

Note: Valid samples are in the ADC result buffer when the group is in state `ADC_COMPLETED` or `ADC_STREAM_COMPLETED`. In state `ADC_BUSY` or `ADC_IDLE` the value 0 is returned.

Note: The return value is 1 for groups with single access mode configuration, if valid samples are stored in the ADC result buffer.

[SWS_Adc_00216] [When called while the group status is `ADC_BUSY` (a conversion of the group is in progress), the function `Adc_GetStreamLastPointer` shall set the pointer, passed as parameter (`PtrToSamplePtr`), to `NULL` and return 0.]
(SRS_Adc_12802)

[SWS_Adc_00219] [The ADC module's environment shall guarantee the consistency of the data that has been read by checking the return value of `Adc_GetGroupStatus`.] (SRS_Adc_12291, SRS_Adc_12802)

Note: See also `SWS_Adc_00140`.

[SWS_Adc_00326] [Calling function `Adc_GetStreamLastPointer` while group status is `ADC_STREAM_COMPLETED` shall trigger a state transition to `ADC_BUSY` for continuous conversion modes (single access mode or circular streaming buffer mode) and hardware triggered groups in single access mode or circular streaming access mode.] (SRS_Adc_12291)

[SWS_Adc_00327] [Calling function `Adc_GetStreamLastPointer` while group status is `ADC_STREAM_COMPLETED` shall trigger a state transition to `ADC_IDLE` for software conversion modes which automatically stop the conversion (streaming buffer with linear access mode or one-shot conversion mode with single access) and for the hardware triggered conversion mode in combination with linear streaming access mode.] (SRS_Adc_12291)

[SWS_Adc_00328] [Calling function `Adc_GetStreamLastPointer` while group status is `ADC_COMPLETED` shall trigger a state transition to `ADC_BUSY`.]
(SRS_Adc_12291)

[SWS_Adc_00215] [When called while the group status is ADC_IDLE and the group conversion was not started (no results are available from previous conversions) , the function Adc_GetStreamLastPointer shall report a runtime error ADC_E_IDLE.]

[SWS_Adc_00218] [If development error detection for the ADC module is enabled: if the group ID is non-existent, the function Adc_GetStreamLastPointer shall raise development error ADC_E_PARAM_GROUP, set the pointer, passed as parameter (PtrToSamplePtr), to NULL and return 0 without any further action.]
(SRS_BSW_00386)

[SWS_Adc_00302] [If development error detection for the ADC module is enabled: if called prior to initializing the driver, the function Adc_GetStreamLastPointer shall raise development error ADC_E_UNINIT, set the pointer, passed as parameter (PtrToSamplePtr), to NULL and return 0 without any further action.]
(SRS_BSW_00406)

8.3.13 Adc_GetVersionInfo

[SWS_Adc_00376] [

Service name:	Adc_GetVersionInfo
Syntax:	void Adc_GetVersionInfo(Std_VersionInfoType* versioninfo)
Service ID[hex]:	0x0a
Sync/Async:	Synchronous
Reentrancy:	Reentrant
Parameters (in):	None
Parameters (inout):	None
Parameters (out):	versioninfo Pointer to where to store the version information of this module.
Return value:	None
Description:	Returns the version information of this module.

] ()

[SWS_Adc_00458] [If development error detection for the ADC module is enabled: The function Adc_GetVersionInfo shall check the parameter versioninfo for not being NULL and shall raise the development error ADC_E_PARAM_POINTER if the check fails.] ()

8.3.14 Adc_SetPowerState

[SWS_Adc_00475] [

Service name:	Adc_SetPowerState
Syntax:	Std_ReturnType Adc_SetPowerState(Std_ReturnType Adc_SetPowerState())

) Adc_PowerStateRequestResultType* Result	
Service ID[hex]:	0x10	
Sync/Async:	Synchronous	
Reentrancy:	Non Reentrant	
Parameters (in):	None	
Parameters (inout):	None	
Parameters (out):	Result	<p>If the API returns E_OK: ADC_SERVICE_ACCEPTED: Power state change executed.</p> <p>If the API returns E_NOT_OK: ADC_NOT_INIT: ADC Module not initialized. ADC_SEQUENCE_ERROR: wrong API call sequence. ADC_HW_FAILURE: the HW module has a failure which prevents it to enter the required power state.</p>
Return value:	Std_ReturnType	<p>E_OK: Power Mode changed E_NOT_OK: request rejected</p>
Description:	This API configures the Adc module so that it enters the already prepared power state, chosen between a predefined set of configured ones.	

] ()

[SWS_Adc_00481]

[The API configures the HW in order to enter the previously prepared Power State. All preliminary actions to enable this transition (e.g. setting all channels in IDLE status, de-registering of all notifications and so on) must already have been taken by the responsible SWCs (e.g. IoHWAbs).

The API shall not execute preliminary, implicit power state changes (i.e. if a requested power state is not reachable starting from the current one, no intermediate power state change shall be executed and the request shall be rejected)

[SWS_Adc_00482]

[In case the target power state is the same as the current one, no action is executed and the API returns immediately with an E_OK result.

] ()

[SWS_Adc_00483]

[In case the normal Power State is requested, the API shall refer to the necessary parameters contained in the same containers used by Adc_Init.

] ()

No separate container or hard coded data shall be used for the normal (i.e. full) power mode, in order to avoid misalignments between initialization parameters used during the init phase and during a power state change.

[SWS_Adc_00484]

[For the other power states, only power state transition specific reconfigurations shall be executed in the context of this API (i.e. the API cannot be used to apply a completely new configuration to the Adc module). Any other re-configuration not strictly related to the power state transition shall not take place.] ()

[SWS_Adc_00485]

[The API shall refer to the configuration container related to the required Power State in order to derive some specific features of the state (e.g support of Power States).] ()

[SWS_Adc_00486]

[In case development error reporting is activated:
The API shall report the DET error **ADC_E_UNINIT** in case this API is called before having initialized the HW unit.
] ()

[SWS_Adc_00487]

[The API shall report a runtime error **ADC_E_NOT_DISENGAGED** in case this API is called when one or more HW channels (where applicable) are in a state different then IDLE (or similar non-operational states) and/or there are still notification registered for the HW module channels.
] ()

[SWS_Adc_00488]

[In case development error reporting is activated:
The API shall report the DET error **ADC_E_POWER_STATE_NOT_SUPPORTED** in case this API is called with an unsupported power state or the peripheral does not support low power states at all.
] ()

[SWS_Adc_00489]

[The API shall report a runtime error **ADC_E_TRANSITION_NOT_POSSIBLE** in case the requested power state cannot be directly reached from the current power state.
] ()

[SWS_Adc_00490]

[In case development error reporting is activated:
The API shall report the DET error **ADC_E_PERIPHERAL_NOT_PREPARED** in case the HW unit has not been previously prepared for the target power state by use of the API `Adc_PreparePowerState()`.
] ()

]

8.3.15 Adc_GetCurrentPowerState

[SWS_Adc_00476] [

Service name:	Adc_GetCurrentPowerState
Syntax:	Std_ReturnType Adc_GetCurrentPowerState(Adc_PowerStateType* CurrentPowerState, Adc_PowerStateRequestResultType* Result)
Service ID[hex]:	0x11
Sync/Async:	Synchronous
Reentrancy:	Non Reentrant
Parameters (in):	None
Parameters (inout):	None

Parameters (out):	CurrentPowerState	The current power mode of the ADC HW Unit is returned in this parameter
	Result	If the API returns E_OK: ADC_SERVICE_ACCEPTED: Current power mode was returned. If the API returns E_NOT_OK: ADC_NOT_INIT: ADC Module not initialized.
Return value:	Std_ReturnType	E_OK: Mode could be read E_NOT_OK: Service is rejected
Description:	This API returns the current power state of the ADC HW unit.	

] ()

[SWS_Adc_00491]

[In case development error reporting is activated:

The API shall report the DET error **ADC_E_UNINIT** in case this API is called before having initialized the HW unit.

] ()

8.3.16 Adc_GetTargetPowerState

[SWS_Adc_00477] [

Service name:	Adc_GetTargetPowerState	
Syntax:	Std_ReturnType Adc_GetTargetPowerState (Adc_PowerStateType* TargetPowerState, Adc_PowerStateRequestResultType* Result)	
Service ID[hex]:	0x12	
Sync/Async:	Synchronous	
Reentrancy:	Non Reentrant	
Parameters (in):	None	
Parameters (inout):	None	
Parameters (out):	TargetPowerState	The Target power mode of the ADC HW Unit is returned in this parameter
	Result	If the API returns E_OK: ADC_SERVICE_ACCEPTED: Target power mode was returned. If the API returns E_NOT_OK: ADC_NOT_INIT: ADC Module not initialized.
Return value:	Std_ReturnType	E_OK: Mode could be read E_NOT_OK: Service is rejected
Description:	This API returns the Target power state of the ADC HW unit.	

] ()

[SWS_Adc_00492]

[The API returns the requested power state of the HW unit. This shall coincide with the current power state if no transition is ongoing.

The API is considered to always succeed except in case of HW failures.

] ()

[SWS_Adc_00493]

[In case development error reporting is activated:

The API shall report the DET error **ADC_E_UNINIT** in case this API is called before having initialized the HW unit.

] ()

8.3.17 Adc_PreparePowerState

[SWS_Adc_00478] [

Service name:	Adc_PreparePowerState	
Syntax:	Std_ReturnType Adc_PreparePowerState(Adc_PowerStateType PowerState, Adc_PowerStateRequestResultType* Result)	
Service ID[hex]:	0x13	
Sync/Async:	Synchronous	
Reentrancy:	Non Reentrant	
Parameters (in):	PowerState	The target power state intended to be attained
Parameters (inout):	None	
Parameters (out):	Result	<p>If the API returns E_OK: ADC_SERVICE_ACCEPTED: ADC Module power state preparation was started.</p> <p>If the API returns E_NOT_OK: ADC_NOT_INIT: ADC Module not initialized. ADC_SEQUENCE_ERROR: wrong API call sequence (Current Power State = Target Power State). ADC_POWER_STATE_NOT_SUPP: ADC Module does not support the requested power state. ADC_TRANS_NOT_POSSIBLE: ADC Module cannot transition directly from the current power state to the requested power state or the HW peripheral is still busy.</p>
Return value:	Std_ReturnType	E_OK: Preparation process started E_NOT_OK: Service is rejected
Description:	This API starts the needed process to allow the ADC HW module to enter the requested power state.	

] ()

[SWS_Adc_00494]

[This API initiates all actions needed to enable a HW module to enter the target power state.

The possibility to operate the periphery depends on the power state and the HW features. These properties should be known to the integrator and the decision whether to use the periphery or not is in his responsibility.

] ()

[SWS_Adc_00495]

[In case the target power state is the same as the current one, no action is executed and the API returns immediately with an E_OK result.

The responsibility of the preconditions is left to the environment.

] ()

[SWS_Adc_00496]

[In case development error reporting is activated:
The API shall report the DET error **ADC_E_UNINIT** in case this API is called before having initialized the HW unit.

] ()

[SWS_Adc_00497]

[In case development error reporting is activated:
The API shall report the DET error **ADC_E_POWER_STATE_NOT_SUPPORTED** in case this API is called with an unsupported power state is requested or the peripheral does not support low power states at all.

] ()

[SWS_Adc_00498]

[The API shall report a runtime error **ADC_E_TRANSITION_NOT_POSSIBLE** in case the requested power state cannot be directly reached from the current power state.

All asynchronous operation, needed to reach the target power state, can be executed in background in the context of Adc_Main_PowerTransitionManager.

] ()

8.4 Call-back Notifications

Since the ADC Driver is a module on the lowest architectural layer it doesn't provide any call-back functions for lower layer modules.

8.5 Scheduled functions

8.5.1 Adc_Main_PowerTransitionManager

[SWS_Adc_00479] [

Service name:	Adc_Main_PowerTransitionManager
Syntax:	void Adc_Main_PowerTransitionManager (void)
Service ID[hex]:	0x14
Description:	This API is cyclically called and supervises the power state transitions, checking for the readiness of the module and issuing the callbacks IoHwAb_Adc_NotifyReadyForPowerState<Mode> (see

	AdcPowerStateReadyCbkJRef configuration parameter).
--	---

J ()

[SWS_Adc_00499]

[This API executes any non-immediate action needed to finalize a power state transition requested by Adc_PreparePowerState().

J ()

[SWS_Adc_00500]

[The rate of scheduling shall be defined by Adc MainSchedulePeriod and shall be variable, as the function only needs to be called if a transition has been requested

J ()

[SWS_Adc_00501]

][This API shall also issue callback notifications to the eventually registered users (IoHwAbs) as configured, only in case the asynch mode is chosen.] ()

[SWS_Adc_00502]

[In case the ADC module is not initialized, this function shall simply return without any further elaboration. This is needed to avoid to elaborate uninitialized variables. No DET error shall be entered, because this condition can easily be verified during the startup phase (tasks started before the initialization is complete).

Rationale: during the startup phase it can happen that the OS already schedules tasks, which call main functions, while some modules are not initialised yet. This is no real error condition, although need handling, i.e. returning without execution.

Although the transition state monitoring functionality is mandatory, the implementation of this API is optional, meaning that if the HW allows for other ways to deliver notification and watch the transition state the implementation of this function can be skipped.

J ()

8.6 Expected Interfaces

In this chapter all interfaces required from other modules are listed.

8.6.1 Mandatory Interfaces

This chapter defines all interfaces which are required to fulfill a core functionality of the module.

[SWS_Adc_00530]

API function	Description
Det_ReportRuntimeError	Service to report runtime errors. If a callout has been configured then this callout shall be called.

] (

8.6.2 Optional Interfaces

This chapter defines all interfaces which are required to fulfill an optional functionality of the module.

[SWS_Adc_00377]

API function	Description
Det_ReportError	Service to report development errors.

] ()

8.6.3 Configurable interfaces

In this chapter all interfaces are listed where the target function could be configured. The target function is usually a call-back function. The names of this kind of interfaces are not fixed because they are configurable.

[SWS_Adc_00078]

[The ADC module's ISR's, providing the "conversion completed events", shall be responsible for resetting the interrupt flags (if needed by hardware) and calling the associated notification function.] (SRS_SPAL_12129)

Note: The notification functions IoHwAb_Adc_Notification_<GroupID> run in interrupt context. It's the responsibility of the user to keep the code of these functions reasonably short. The names of the group notification functions are configurable (see ADC402).

8.6.3.1 IoHwAb_Adc_Notification<#groupID>

[SWS_Adc_00082]

Service name:	IoHwAb_AdcNotification<#groupID>
Syntax:	void IoHwAb_AdcNotification<#groupID>(void)
Sync/Async:	Synchronous
Reentrancy:	Non Reentrant
Parameters (in):	None
Parameters (inout):	None
Parameters (out):	None
Return value:	None
Description:	Will be called by the ADC Driver when a group conversion is completed for group <#groupID>.

] (SRS_BSW_00359, SRS_BSW_00360, SRS_SPAL_00157)

[SWS_Adc_00104]

[The ADC Driver shall support an individual notification per ADC Channel group (if capability is configured) that is called whenever the conversion for all channels of that group is completed.] (SRS_SPAL_00157, SRS_Adc_12447, SRS_Adc_12317)

[SWS_Adc_00083]

[When the notification mechanism is disabled, the ADC module shall send no notification.] (SRS_SPAL_00157)

[SWS_Adc_00416]

[When the notifications are re-enabled, the ADC module shall not send notifications for events that occurred while notifications have been disabled.] ()

[SWS_Adc_00084]

[For every group, a particular notification call-back has to be configured. This can be a function pointer or a NULL pointer.] (SRS_SPAL_12056)

[SWS_Adc_00080]

[If for a notification call-back the NULL pointer is configured, no call-back shall be executed.] (SRS_SPAL_12056)

[SWS_Adc_00085]

[The call-back notifications shall be configurable as pointers to user defined functions within the configuration structure. For all available channel groups, call-back functions have to be declared during the configuration phase of the module.

] (SRS_SPAL_12056)

8.6.3.2 IoHwAb_Adc_NotifyReadyForPowerState<#Mode>

[SWS_Adc_00480] [

Service name:	IoHwAb_Adc_NotifyReadyForPowerState<#Mode>
Syntax:	void IoHwAb_Adc_NotifyReadyForPowerState<#Mode>(void

)
Sync/Async:	Synchronous
Reentrancy:	Non Reentrant
Parameters (in):	None
Parameters (inout):	None
Parameters (out):	None
Return value:	None
Description:	The API shall be invoked by the ADC Driver when the requested power state preparation for mode <#Mode> is completed.

] ()

This interface provided by CDD or IoHwAbs controlling the peripheral is needed if at least one MCAL driver is configured for providing power mode control APIs.

There shall be one such a callback for each power mode in which the ADC has to change power state. It is possible to have the same power state for different power modes, but only one power state for a given power mode.

9 Sequence diagrams

9.1 Initialization of the ADC Driver

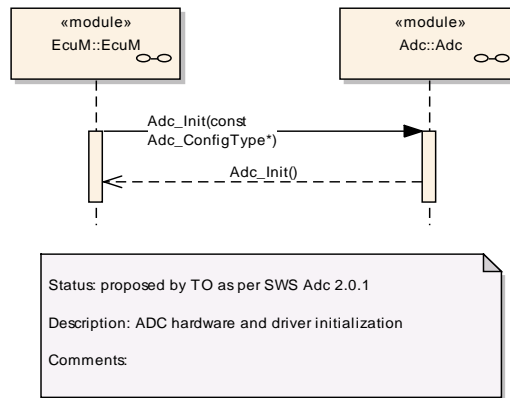


Figure 13: Initialization of the ADC Driver

9.2 De-Initialization of the ADC Driver

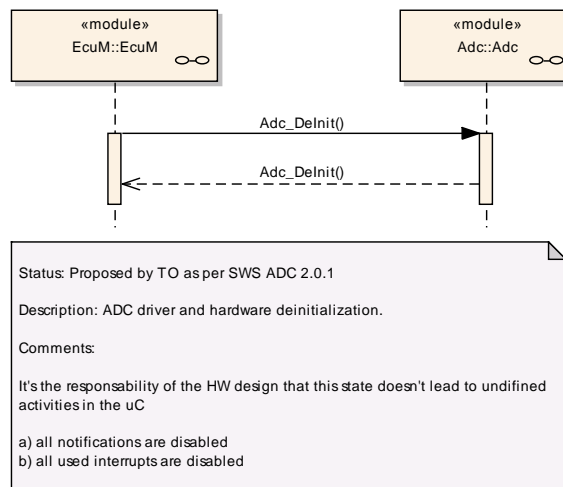


Figure 14: De-Initialization of the ADC Driver

9.3 Software triggered One-Shot conversion without notification

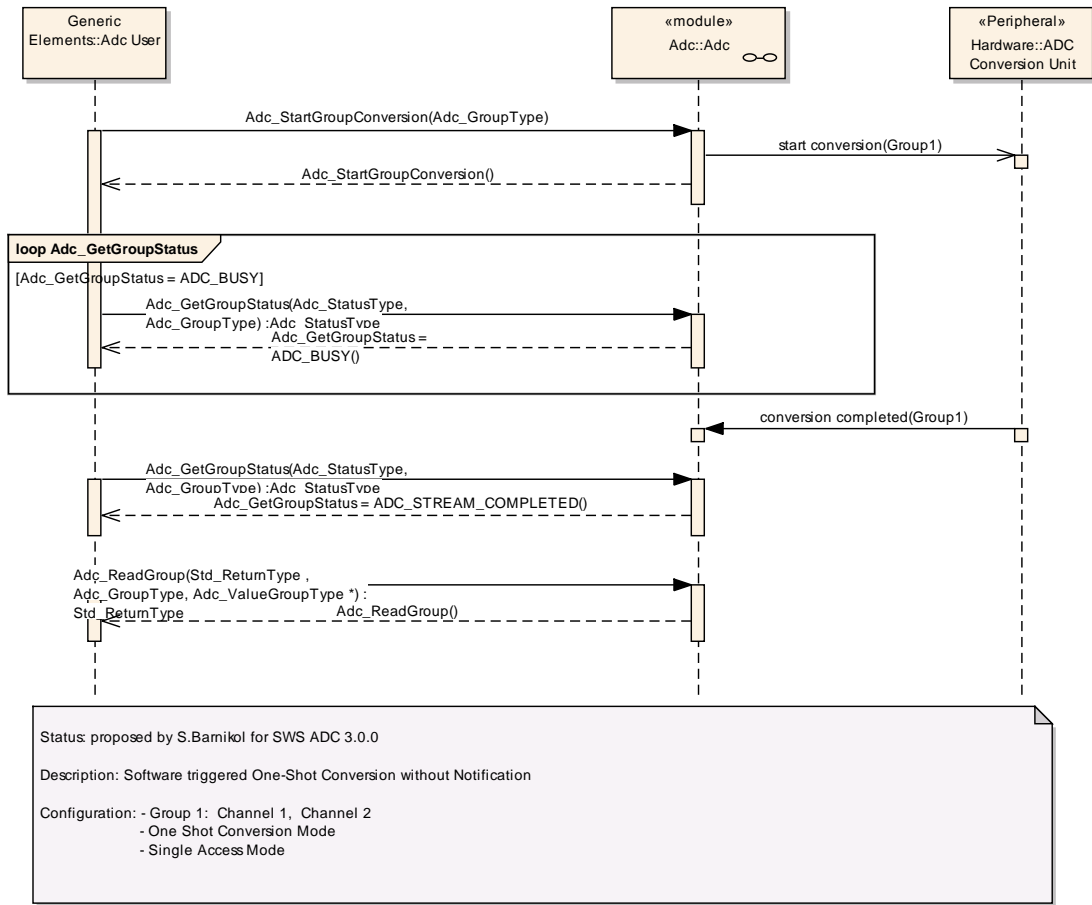


Figure 15: Software triggered one-shot conversion without notification

9.4 Software triggered continuous conversion with notification

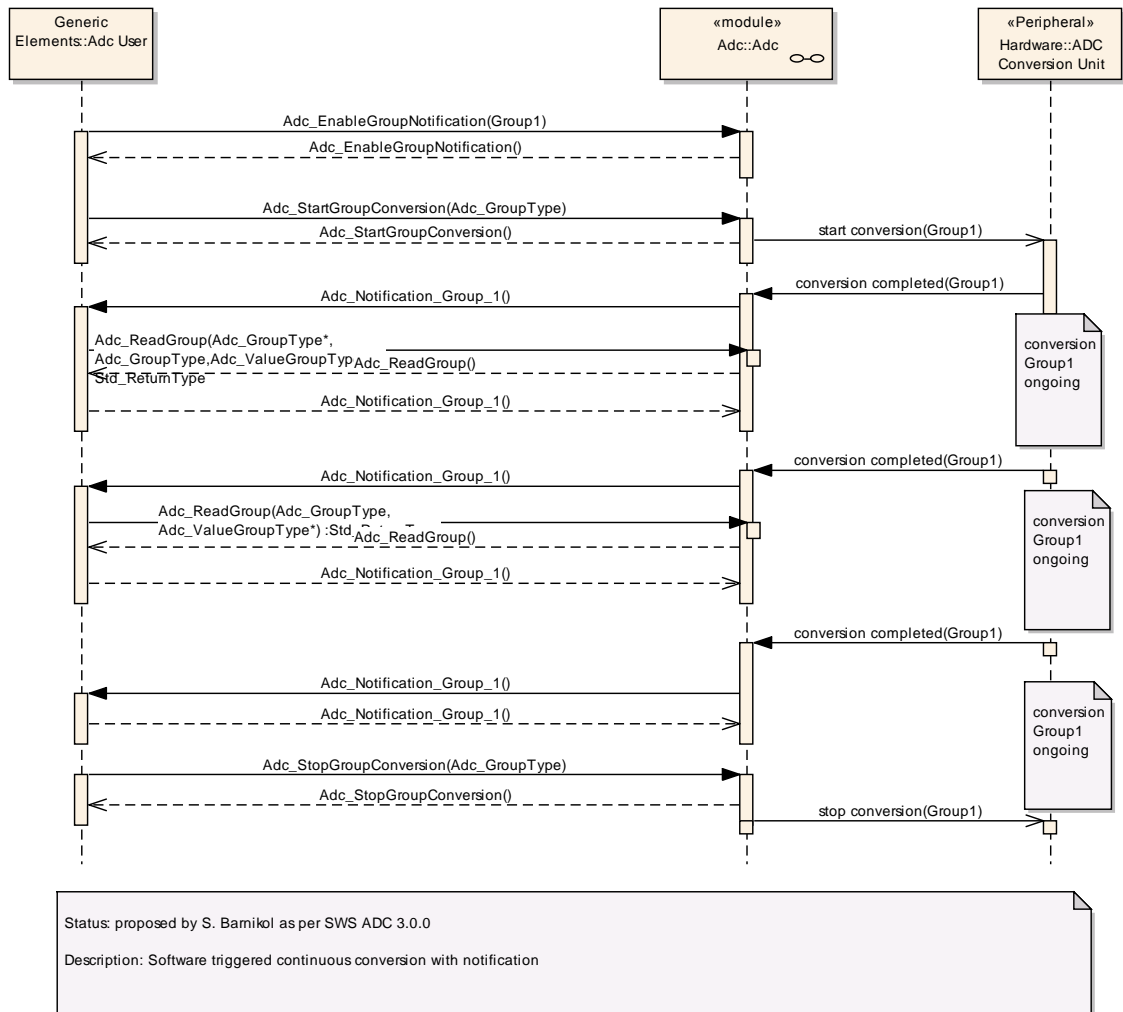


Figure 16: Software triggered continuous conversion with notification

9.5 Hardware triggered One-Shot conversion with notification

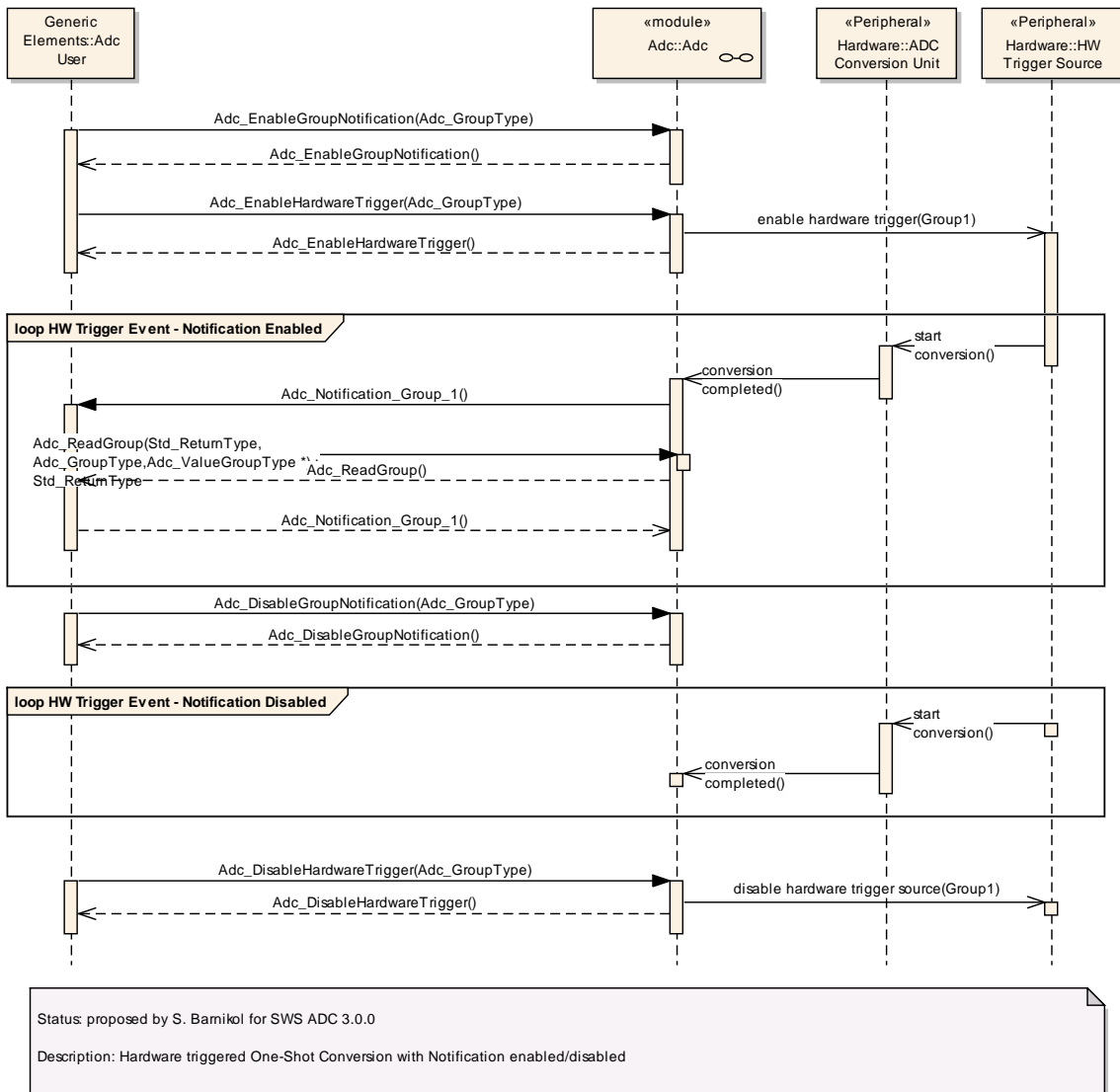


Figure 17: Hardware triggered one-shot conversion with notification

9.6 HW Trigger - One-Shot conversion - Linear Streaming

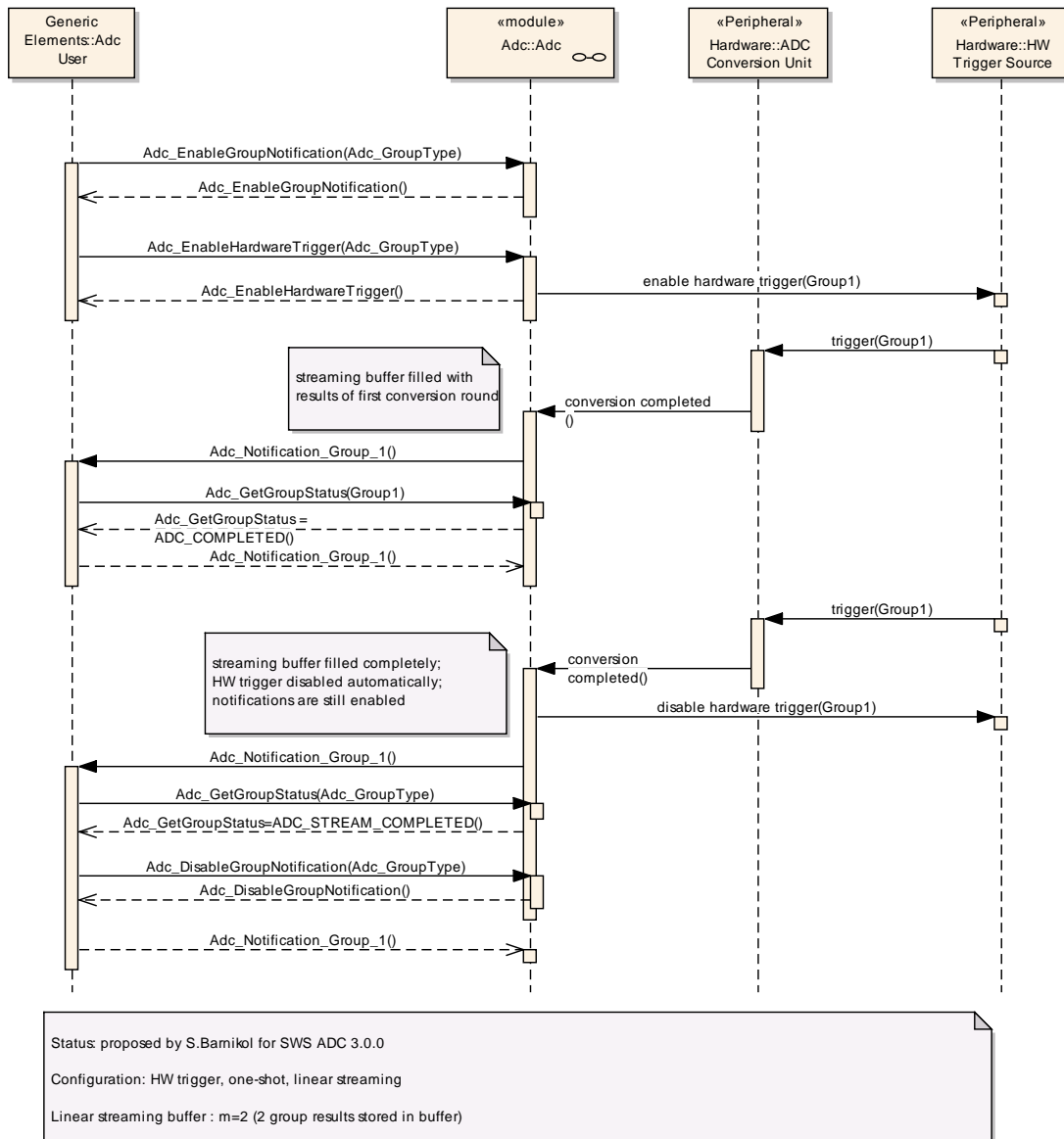
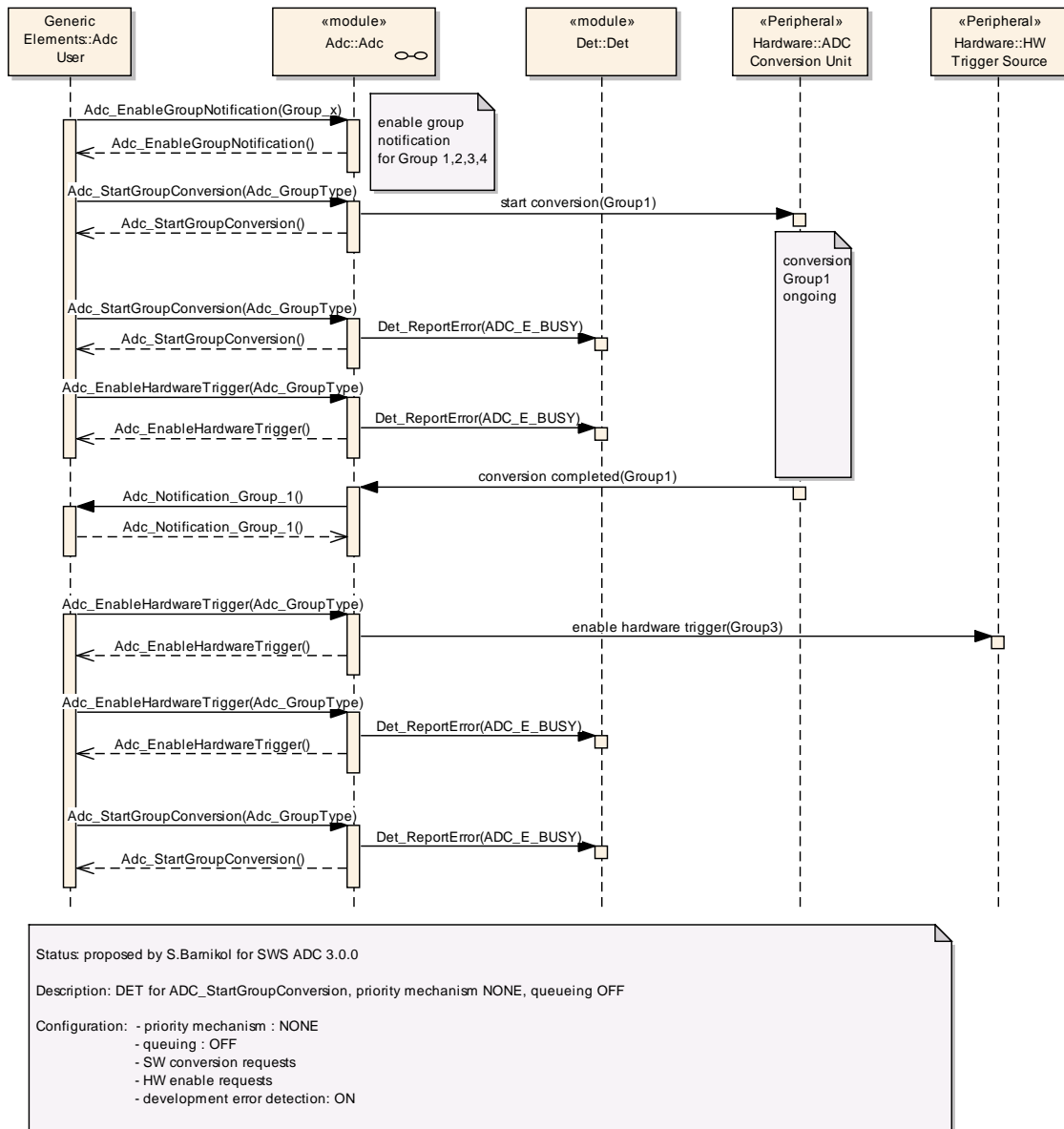


Figure 18: Hardware triggered one-shot conversion – linear streaming

9.7 No Priority Mechanism – No Queuing



Note: Det_ReportError(ADC_E_BUSY) needs to be exchanged in this diagram with Det_ReportRuntimeError(ADC_E_BUSY)

Figure 19: No priority mechanism – no queuing

9.8 No Priority Mechanism – SW Queuing

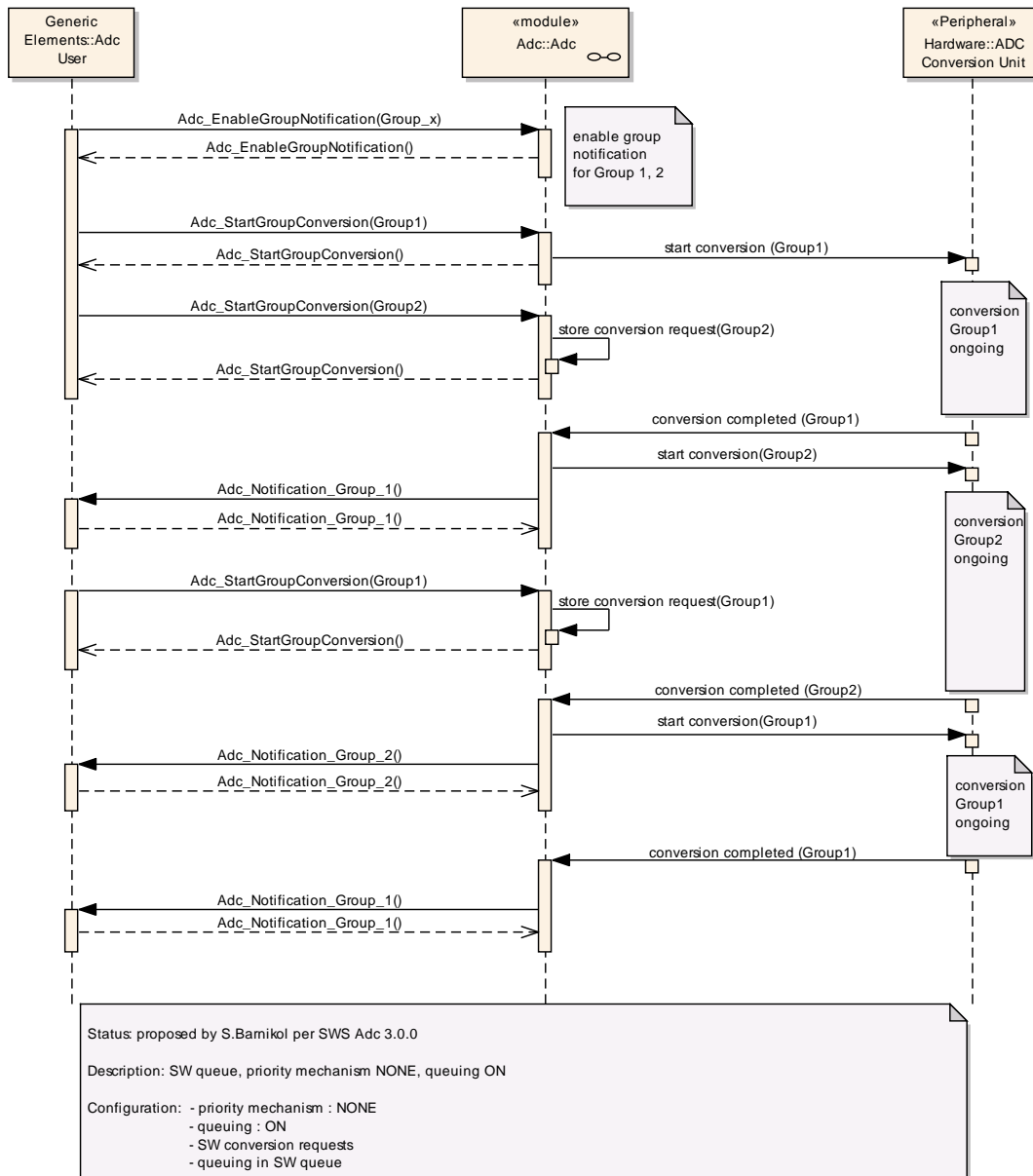


Figure 20: No priority mechanism – software queuing

9.9 HW_SW Priority Mechanism – SW Queuing

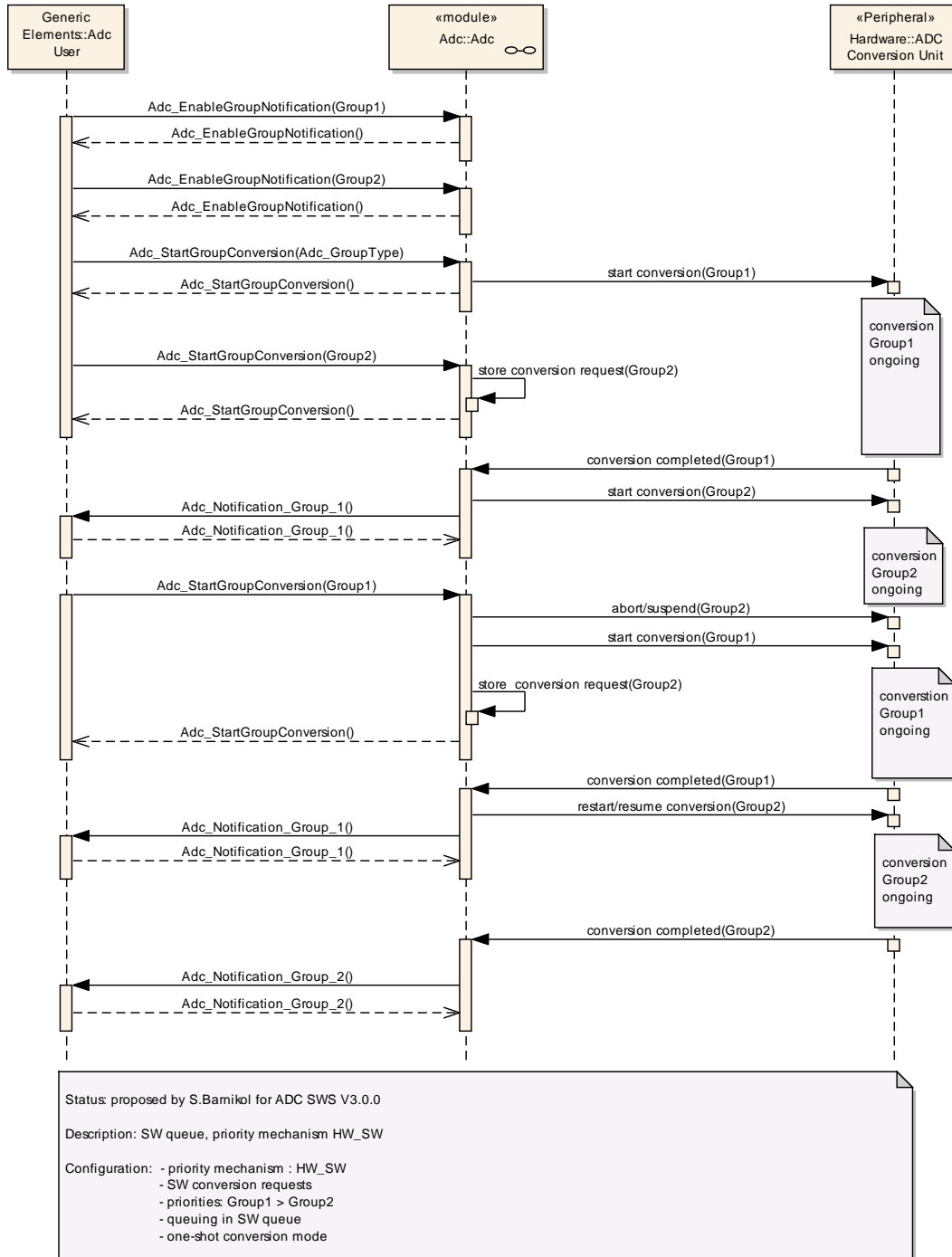


Figure 20: Hardware/software priority mechanism – SW queuing

9.10 HW Priority Mechanism – HW Queuing

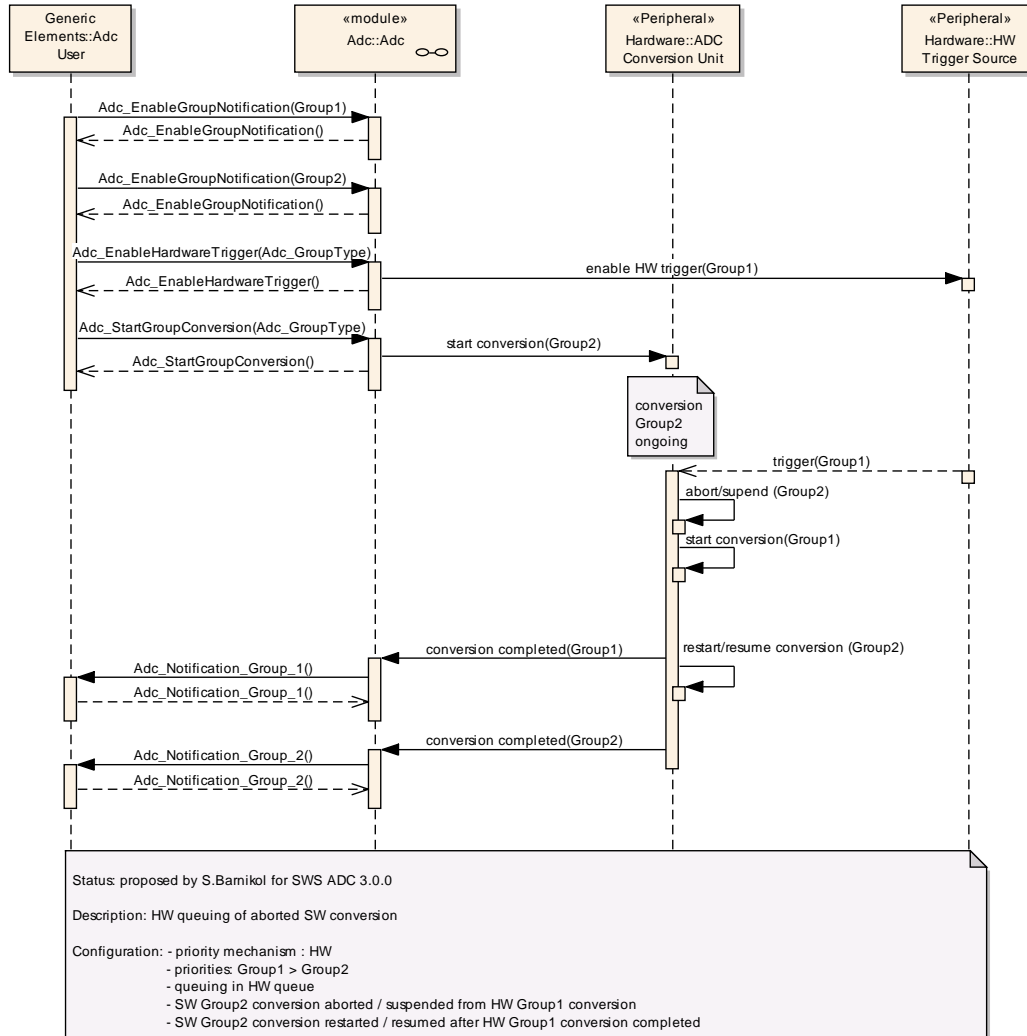


Figure 22: Hardware priority mechanism – HW queuing

9.11 HW_SW Priority Mechanism – HW/SW Queuing

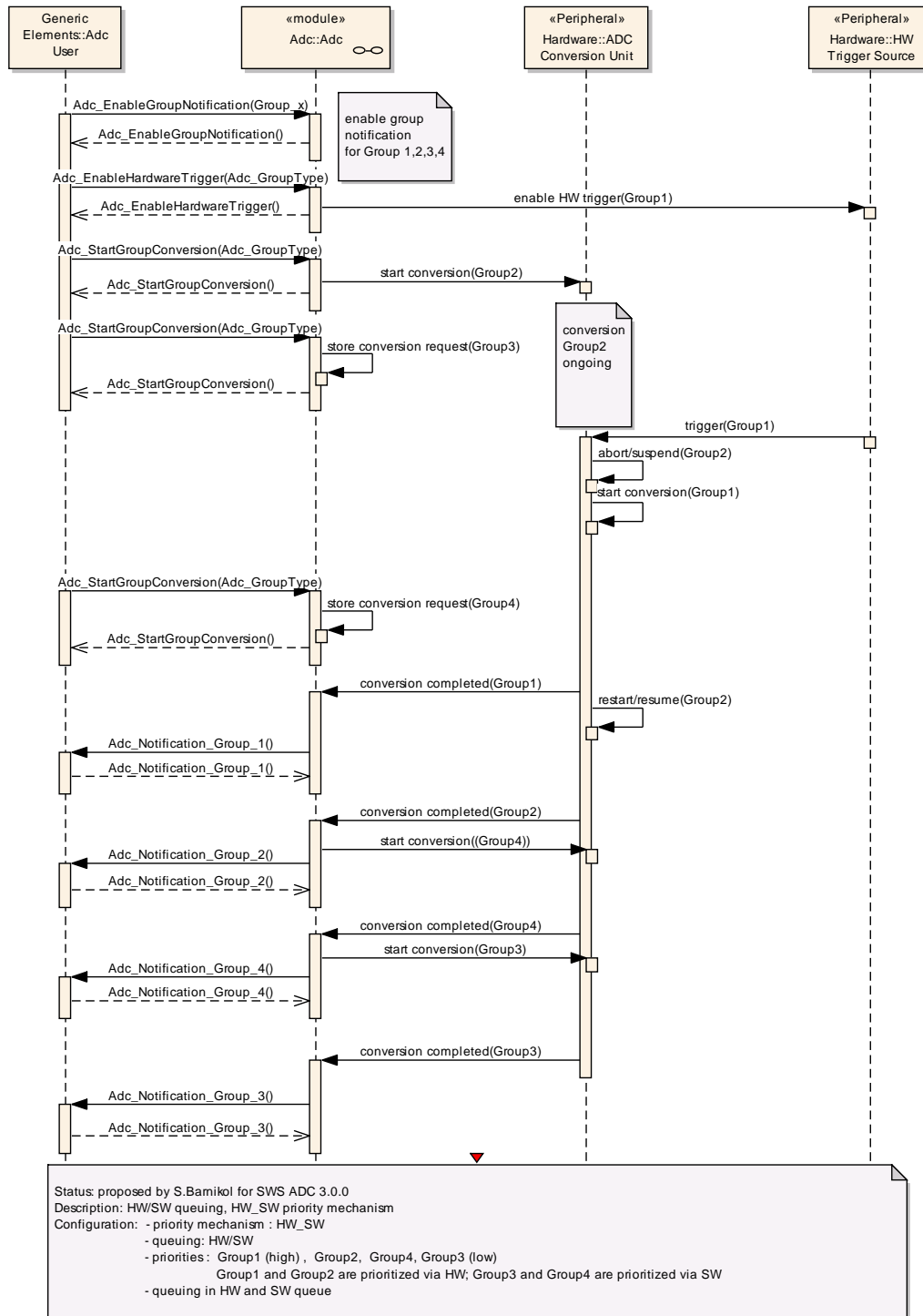


Figure 23: Hardware/software priority mechanism – hardware/software queuing

10 Configuration specification

In general, this chapter defines configuration parameters and their clustering into containers. In order to support the specification Chapter 10.1 describes fundamentals. It also specifies a template (table) you shall use for the parameter specification. We intend to leave Chapter 10.1 in the specification to guarantee comprehension.

Chapter 10.2 specifies the structure (containers) and the parameters of the module ADC Driver.

Chapter 10.2.3 specifies published information of the module ADC Driver.

10.1 How to read this chapter

For details refer to the chapter 10.1 “Introduction to configuration specification” in *SWS_BSWGeneral*.

10.2 Configuration and configuration parameters

The following chapters summarize all configuration parameters. The detailed meanings of the parameters describe Chapter 7 and Chapter 8.

10.2.1 Adc

SWS Item	ECUC_Adc_00462 :
Module Name	<i>Adc</i>
Module Description	Configuration of the Adc (Analog Digital Conversion) module.
Post-Build Variant Support	true
Supported Config Variants	VARIANT-POST-BUILD, VARIANT-PRE-COMPILE

Included Containers		
Container Name	Multiplicity	Scope / Dependency
AdcConfigSet	1	This container contains the configuration parameters and sub containers of the AUTOSAR Adc module.
AdcGeneral	1	General configuration (parameters) of the ADC Driver software module.
AdcPublishedInformation	1	Additional published parameters not covered by "Common" Published Information. Note that these parameters have "PUBLISHED-INFORMATION" configuration class setting, since they are published information.

10.2.2 AdcGeneral

SWS Item	ECUC_Adc_00027 :
Container Name	AdcGeneral
Description	General configuration (parameters) of the ADC Driver software module.
Configuration Parameters	

SWS Item	ECUC_Adc_00404 :		
Name	AdcDelnitApi		
Parent Container	AdcGeneral		
Description	Adds / removes the service Adc_Delnit() from the code. true: Adc_Delnit() can be used. false: Adc_Delnit() can not be used.		
Multiplicity	1		
Type	EcucBooleanParamDef		
Default value	--		
Post-Build Variant Value	false		
Value Configuration Class	Pre-compile time	X	All Variants
	Link time	--	
	Post-build time	--	
Scope / Dependency	scope: local		

SWS Item	ECUC_Adc_00405 :		
Name	AdcDevErrorDetect		
Parent Container	AdcGeneral		
Description	Switches the development error detection and notification on or off. <ul style="list-style-type: none"> • true: detection and notification is enabled. • false: detection and notification is disabled. 		
Multiplicity	1		
Type	EcucBooleanParamDef		
Default value	false		
Post-Build Variant Value	false		
Value Configuration Class	Pre-compile time	X	All Variants
	Link time	--	
	Post-build time	--	
Scope / Dependency	scope: local		

SWS Item	ECUC_Adc_00452 :		
Name	AdcEnableLimitCheck		
Parent Container	AdcGeneral		
Description	Enables or disables limit checking feature in the ADC driver.		
Multiplicity	1		
Type	EcucBooleanParamDef		
Default value	--		
Post-Build Variant Value	false		
Value Configuration Class	Pre-compile time	X	All Variants
	Link time	--	
	Post-build time	--	
Scope / Dependency	scope: local		

SWS Item	ECUC_Adc_00391 :		
Name	AdcEnableQueueing		

Parent Container	AdcGeneral		
Description	Determines, if the queuing mechanism is active in case of priority mechanism disabled. Note: If priority mechanism is enabled, queuing mechanism is always active and the parameter ADC_ENABLE_QUEUING is not evaluated. true: Enabled. false: Disabled.		
Multiplicity	1		
Type	EcucBooleanParamDef		
Default value	--		
Post-Build Variant Value	false		
Value Configuration Class	Pre-compile time	X	All Variants
	Link time	--	
	Post-build time	--	
Scope / Dependency	scope: local dependency: AdcPriorityImplementation: parameter is only evaluated for priority implementation ADC_PRIORITY_NONE.		

SWS Item	ECUC_Adc_00406 :		
Name	AdcEnableStartStopGroupApi		
Parent Container	AdcGeneral		
Description	Adds / removes the services Adc_StartGroupConversion() and Adc_StopGroupConversion() from the code. true: Adc_StartGroupConversion() and Adc_StopGroupConversion() can be used. false: Adc_StartGroupConversion() and Adc_StopGroupConversion() can not be used.		
Multiplicity	1		
Type	EcucBooleanParamDef		
Default value	--		
Post-Build Variant Value	false		
Value Configuration Class	Pre-compile time	X	All Variants
	Link time	--	
	Post-build time	--	
Scope / Dependency	scope: local		

SWS Item	ECUC_Adc_00105 :		
Name	AdcGrpNotifCapability		
Parent Container	AdcGeneral		
Description	Determines, if the group notification mechanism (the functions to enable and disable the notifications) is available at runtime. true: Enabled. false: Disabled.		
Multiplicity	1		
Type	EcucBooleanParamDef		
Default value	--		
Post-Build Variant Value	false		
Value Configuration Class	Pre-compile time	X	All Variants
	Link time	--	
	Post-build time	--	
Scope / Dependency	scope: local		

SWS Item	ECUC_Adc_00408 :		
Name	AdcHwTriggerApi		
Parent Container	AdcGeneral		
Description	Adds / removes the services Adc_EnableHardwareTrigger() and		

	Adc_DisableHardwareTrigger() from the code. true: Adc_EnableHardwareTrigger() and Adc_DisableHardwareTrigger() can be used. false: Adc_EnableHardwareTrigger() and Adc_DisableHardwareTrigger() can not be used.		
Multiplicity	1		
Type	EcucBooleanParamDef		
Default value	--		
Post-Build Variant Value	false		
Value Configuration Class	Pre-compile time	X	All Variants
	Link time	--	
	Post-build time	--	
Scope / Dependency	scope: local		

SWS Item	ECUC_Adc_00457 :		
Name	AdcLowPowerStatesSupport		
Parent Container	AdcGeneral		
Description	Adds / removes all power state management related APIs (ADC_SetPowerState, ADC_GetCurrentPowerState, ADC_GetTargetPowerState, ADC_PreparePowerState, ADC_Main_PowerTransitionManager), indicating if the HW offers low power state management.		
Multiplicity	0..1		
Type	EcucBooleanParamDef		
Default value	false		
Post-Build Variant Value	false		
Multiplicity	false		
Post-Build Variant Value	false		
Multiplicity Configuration Class	Pre-compile time	X	All Variants
	Link time	--	
	Post-build time	--	
Value Configuration Class	Pre-compile time	X	All Variants
	Link time	--	
	Post-build time	--	
Scope / Dependency	scope: local		

SWS Item	ECUC_Adc_00458 :		
Name	AdcPowerStateAsynchTransitionMode		
Parent Container	AdcGeneral		
Description	Enables / disables support of the ADCDriver to the asynchronous power state transition.		
Multiplicity	0..1		
Type	EcucBooleanParamDef		
Default value	false		
Post-Build Variant Value	false		
Multiplicity	false		
Post-Build Variant Value	false		
Multiplicity Configuration Class	Pre-compile time	X	All Variants
	Link time	--	
	Post-build time	--	
Value Configuration Class	Pre-compile time	X	All Variants
	Link time	--	
	Post-build time	--	
Scope / Dependency	scope: local dependency: This parameter shall only be configured if the parameter AdcLowPowerStatesSupport is set to true.		

SWS Item	ECUC_Adc_00393 :		
Name	AdcPriorityImplementation		
Parent Container	AdcGeneral		
Description	<p>Determines whether a priority mechanism is available for prioritization of the conversion requests and if available, the type of prioritization mechanism. The selection applies for groups with trigger source software and trigger source hardware. Two types of prioritization mechanism can be selected. The hardware prioritization mechanism (AdcPriorityHw) uses the ADC hardware features for prioritization of the software conversion requests and hardware trigger signals for groups with trigger source hardware. The mixed hardware and software prioritization mechanism (AdcPriorityHwSw) uses the ADC hardware features for prioritization of ADC hardware trigger for groups with trigger source hardware and a software implemented prioritization mechanism for groups with trigger source software. The group priorities for software triggered groups are typically configured with lower priority levels than the group priorities for hardware triggered groups.</p> <p>ImplementationType: Adc_PriorityImplementationType</p>		
Multiplicity	1		
Type	EcucEnumerationParamDef		
Range	ADC_PRIORITY_HW	Hardware priority mechanism is available only	
	ADC_PRIORITY_HW_SW	Hardware and software priority mechanism is available	
	ADC_PRIORITY_NONE	priority mechanism is not available	
Post-Build Variant Value	false		
Value Configuration Class	Pre-compile time	X	All Variants
	Link time	--	
	Post-build time	--	
Scope Dependency	scope: local		

SWS Item	ECUC_Adc_00394 :		
Name	AdcReadGroupApi		
Parent Container	AdcGeneral		
Description	<p>Adds / removes the service Adc_ReadGroup() and from the code. true: Adc_ReadGroup() can be used. false: Adc_ReadGroup() can not be used.</p>		
Multiplicity	1		
Type	EcucBooleanParamDef		
Default value	--		
Post-Build Variant Value	false		
Value Configuration Class	Pre-compile time	X	All Variants
	Link time	--	
	Post-build time	--	
Scope / Dependency	scope: local		

SWS Item	ECUC_Adc_00444 :		
Name	AdcResultAlignment		
Parent Container	AdcGeneral		
Description	<p>Alignment of ADC raw results in ADC result buffer (left/right alignment). Implementation Type: Adc_ResultAlignmentType</p>		
Multiplicity	1		
Type	EcucEnumerationParamDef		

Range	ADC_ALIGN_LEFT	left alignment	
	ADC_ALIGN_RIGHT	right alignment	
Post-Build Variant Value	false		
Value Configuration Class	Pre-compile time	X	All Variants
	Link time	--	
	Post-build time	--	
Scope Dependency	scope: local		

SWS Item	ECUC_Adc_00409 :		
Name	AdcVersionInfoApi		
Parent Container	AdcGeneral		
Description	Adds / removes the service Adc_GetVersionInfo() from the code. true: Adc_GetVersionInfo() can be used. false: Adc_GetVersionInfo() can not be used.		
Multiplicity	1		
Type	EcucBooleanParamDef		
Default value	false		
Post-Build Variant Value	false		
Value Configuration Class	Pre-compile time	X	All Variants
	Link time	--	
	Post-build time	--	
Scope / Dependency	scope: local		

Included Containers		
Container Name	Multiplicity	Scope / Dependency
AdcPowerStateConfig	0..*	Each instance of this parameter defines a power state and the callback to be called when this power state is reached.

10.2.3 AdcPowerStateConfig

SWS Item	ECUC_Adc_00459 :	
Container Name	AdcPowerStateConfig	
Description	Each instance of this parameter defines a power state and the callback to be called when this power state is reached.	
Configuration Parameters		

SWS Item	ECUC_Adc_00461 :	
Name	AdcPowerState	
Parent Container	AdcPowerStateConfig	
Description	Each instance of this parameter describes a different power state supported by the ADC HW. It should be defined by the HW supplier and used by the ADCDriver to reference specific HW configurations which set the ADC HW module in the referenced power state. At least the power mode corresponding to full power state shall be always configured.	
Multiplicity	1	
Type	EcucIntegerParamDef (Symbolic Name generated for this parameter)	
Range	0 ..	18446744073709551615
Default value	--	

Post-Build Variant Value	false		
Value Configuration Class	Pre-compile time	X	All Variants
	Link time	--	
	Post-build time	--	
Scope / Dependency	scope: local dependency: This parameter shall only be configured if the parameter AdcLowPowerStatesSupport is set to true.		

SWS Item	ECUC_Adc_00460 :		
Name	AdcPowerStateReadyCbkJef		
Parent Container	AdcPowerStateConfig		
Description	Each instance of this parameter contains a reference to a power mode callback defined in a CDD or IoHwAbs component.		
Multiplicity	1		
Type	EcucFunctionNameDef		
Default value	--		
maxLength	--		
minLength	--		
regularExpression	--		
Post-Build Variant Value	false		
Value Configuration Class	Pre-compile time	X	All Variants
	Link time	--	
	Post-build time	--	
Scope / Dependency	scope: local dependency: This parameter shall only be configured if the parameter AdcLowPowerStatesSupport is set to true.		

No Included Containers

10.2.4 AdcConfigSet

SWS Item	ECUC_Adc_00390 :		
Container Name	AdcConfigSet		
Description	This container contains the configuration parameters and sub containers of the AUTOSAR Adc module.		
Configuration Parameters			

Included Containers		
Container Name	Multiplicity	Scope / Dependency
AdcHwUnit	1..*	This container contains the Driver configuration (parameters) depending on grouping of channels This container could contain HW specific parameters which are not defined in the Standardized Module Definition. They must be added in the Vendor Specific Module Definition.

10.2.5 AdcChannel

SWS Item	ECUC_Adc_00268 :		
Container Name	AdcChannel		
Description	This container contains the channel configuration (parameters) depending on the hardware capability.		

	<p>The organization of this data structure could contain dependencies to the microcontroller so this is left up to the implementer and its location is left up to the configuration.</p> <p>Note: Since a AdcChannel can be part of several AdcGroups, this container is not realized as a subcontainer of AdcGroup but instead as a subcontainer of AdcHwUnit.</p>
--	---

Configuration Parameters

SWS Item	ECUC_Adc_00011 :		
Name	AdcChannelConvTime		
Parent Container	AdcChannel		
Description	Configuration of conversion time, i.e. the time during which the analogue value is converted into digital representation, (in clock cycles) for each channel, if supported by hardware. ImplementationType: Adc_ConversionTimeType		
Multiplicity	0..1		
Type	EcucIntegerParamDef		
Range	0 ..		
	18446744073709551615		
Default value	--		
Post-Build Multiplicity	Variant	true	
Post-Build Variant Value	true		
Multiplicity Configuration Class	Pre-compile time	X	VARIANT-PRE-COMPILE
	Link time	--	
	Post-build time	X	VARIANT-POST-BUILD
Value Configuration Class	Pre-compile time	X	VARIANT-PRE-COMPILE
	Link time	--	
	Post-build time	X	VARIANT-POST-BUILD
Scope / Dependency	scope: local		

SWS Item	ECUC_Adc_00455 :		
Name	AdcChannelHighLimit		
Parent Container	AdcChannel		
Description	High limit - used for limit checking.		
Multiplicity	0..1		
Type	EcucIntegerParamDef		
Range	0 ..		
	18446744073709551615		
Default value	--		
Post-Build Multiplicity	Variant	false	
Post-Build Variant Value	false		
Multiplicity Configuration Class	Pre-compile time	X	All Variants
	Link time	--	
	Post-build time	--	
Value Configuration Class	Pre-compile time	X	All Variants
	Link time	--	
	Post-build time	--	
Scope / Dependency	scope: local dependency: AdcEnableLimitCheck: not available if limit checking is not globally enabled. AdcChannelLimitCheck: not available if channel specific limit check is not enabled. AdcChannelLowLimit: has to be greater or equal than AdcChannelLowLimit.		

SWS Item	ECUC_Adc_00392 :		
Name	AdcChannelId		
Parent Container	AdcChannel		
Description	This parameter defines the assignment of the channel to the physical ADC hardware channel. ImplementationType: Adc_ChannelType		
Multiplicity	1		
Type	EcucIntegerParamDef		
Range	0 .. 1024		
Default value	--		
Post-Build Variant Value	true		
Value Configuration Class	Pre-compile time	X	VARIANT-PRE-COMPILE
	Link time	--	
	Post-build time	X	VARIANT-POST-BUILD
Scope / Dependency	scope: local		

SWS Item	ECUC_Adc_00453 :		
Name	AdcChannelLimitCheck		
Parent Container	AdcChannel		
Description	Enables or disables limit checking for an ADC channel.		
Multiplicity	0..1		
Type	EcucBooleanParamDef		
Default value	--		
Post-Build Variant Value	false		
Multiplicity Configuration Class	Pre-compile time	X	All Variants
	Link time	--	
	Post-build time	--	
Value Configuration Class	Pre-compile time	X	All Variants
	Link time	--	
	Post-build time	--	
Scope / Dependency	scope: local dependency: AdcEnableLimitCheck: not available if limit checking is not globally enabled. AdcGroupDefinition: ADC channels with limit checking feature enabled have to be assigned to ADC groups which consist exactly of one limit checking enabled ADC channel.		

SWS Item	ECUC_Adc_00454 :		
Name	AdcChannelLowLimit		
Parent Container	AdcChannel		
Description	Low limit - used for limit checking.		
Multiplicity	0..1		
Type	EcucIntegerParamDef		
Range	0 .. 18446744073709551615		
Default value	--		
Post-Build Variant Value	false		
Post-Build Variant Value	false		
Multiplicity Configuration Class	Pre-compile time	X	All Variants
	Link time	--	
	Post-build time	--	

Value Configuration Class	Pre-compile time	X	All Variants
	Link time	--	
	Post-build time	--	
Scope / Dependency	scope: local dependency: AdcEnableLimitCheck: not available if limit checking is not globally enabled. AdcChannelLimitCheck: not available if channel specific limit check is not enabled. AdcChannelHighLimit: has to be less or equal than AdcChannelHighLimit.		

SWS Item	ECUC_Adc_00456 :		
Name	AdcChannelRangeSelect		
Parent Container	AdcChannel		
Description	In case of active limit checking: defines which conversion values are taken into account related to the borders defined with AdcChannelLowLimit and AdcChannelHighLimit. Implementation Type: Adc_ChannelRangeSelectType		
Multiplicity	0..1		
Type	EcucEnumerationParamDef		
Range	ADC_RANGE_ALWAYS	Complete range - independent from channel limit settings.	
	ADC_RANGE_BETWEEN	Range between low limit and high limit - high limit value included.	
	ADC_RANGE_NOT_BETWEEN	Range above high limit or below low limit - low limit value included.	
	ADC_RANGE_NOT_OVER_HIGH	Range below high limit - high limit value included.	
	ADC_RANGE_NOT_UNDER_LOW	Range above low limit.	
	ADC_RANGE_OVER_HIGH	Range above high limit.	
	ADC_RANGE_UNDER_LOW	Range below limit - low limit value included.	
Post-Build Variant Multiplicity	false		
Post-Build Variant Value	false		
Multiplicity Configuration Class	Pre-compile time	X	All Variants
	Link time	--	
	Post-build time	--	
Value Configuration Class	Pre-compile time	X	All Variants
	Link time	--	
	Post-build time	--	
Scope Dependency	scope: local dependency: AdcEnableLimitCheck: not available if limit checking is not globally enabled. AdcChannelLimitCheck: not available if channel specific limit check is not enabled.		

SWS Item	ECUC_Adc_00089 :		
Name	AdcChannelRefVoltsrcHigh		
Parent Container	AdcChannel		
Description	Upper reference voltage source for each channel. Enumeration literals are defined vendor specific.		
Multiplicity	0..1		
Type	EcucEnumerationParamDef		
Range	--		
Post-Build Variant Multiplicity	Variant	true	

Post-Build Variant Value	true		
Multiplicity Configuration Class	Pre-compile time	X	VARIANT-PRE-COMPILE
	Link time	--	
	Post-build time	X	VARIANT-POST-BUILD
Value Configuration Class	Pre-compile time	X	VARIANT-PRE-COMPILE
	Link time	--	
	Post-build time	X	VARIANT-POST-BUILD
Scope / Dependency	scope: local		

SWS Item	ECUC_Adc_00023 :		
Name	AdcChannelRefVoltsrcLow		
Parent Container	AdcChannel		
Description	Lower reference voltage source for each channel. Enumeration literals are defined vendor specific.		
Multiplicity	0..1		
Type	EcucEnumerationParamDef		
Range	--		
Post-Build Variant Multiplicity	true		
Post-Build Variant Value	true		
Multiplicity Configuration Class	Pre-compile time	X	VARIANT-PRE-COMPILE
	Link time	--	
	Post-build time	X	VARIANT-POST-BUILD
Value Configuration Class	Pre-compile time	X	VARIANT-PRE-COMPILE
	Link time	--	
	Post-build time	X	VARIANT-POST-BUILD
Scope / Dependency	scope: local		

SWS Item	ECUC_Adc_00019 :		
Name	AdcChannelResolution		
Parent Container	AdcChannel		
Description	Channel resolution in bits. ImplementationType: Adc_ResolutionType		
Multiplicity	0..1		
Type	EcucIntegerParamDef		
Range	1 .. 63		
Default value	--		
Post-Build Variant Multiplicity	true		
Post-Build Variant Value	true		
Multiplicity Configuration Class	Pre-compile time	X	VARIANT-PRE-COMPILE
	Link time	--	
	Post-build time	X	VARIANT-POST-BUILD
Value Configuration Class	Pre-compile time	X	VARIANT-PRE-COMPILE
	Link time	--	
	Post-build time	X	VARIANT-POST-BUILD
Scope / Dependency	scope: local dependency: AdcMaxChannelResolution: The actual resolution has to be less or equal than the maximum resolution.		

SWS Item	ECUC_Adc_00290 :		
Name	AdcChannelSampTime		
Parent Container	AdcChannel		
Description	Configuration of sampling time, i.e. the time during which the value is sampled, (in clock cycles) for each channel, if supported by hardware.		

	ImplementationType: Adc_SamplingTimeType		
Multiplicity	0..1		
Type	EcucIntegerParamDef		
Range	0 ..		
	18446744073709551615		
Default value	--		
Post-Build Multiplicity	Variant	true	
Post-Build Variant Value	true		
Multiplicity Configuration Class	Pre-compile time	X	VARIANT-PRE-COMPILE
	Link time	--	
	Post-build time	X	VARIANT-POST-BUILD
Value Configuration Class	Pre-compile time	X	VARIANT-PRE-COMPILE
	Link time	--	
	Post-build time	X	VARIANT-POST-BUILD
Scope / Dependency	scope: local		

No Included Containers

10.2.6 AdcGroup

SWS Item	ECUC_Adc_00028 :
Container Name	AdcGroup
Description	This container contains the Group configuration (parameters).
Configuration Parameters	

SWS Item	ECUC_Adc_00317 :		
Name	AdcGroupAccessMode		
Parent Container	AdcGroup		
Description	Type of access mode to group conversion results. ImplementationType: Adc_GroupAccessModeType		
Multiplicity	1		
Type	EcucEnumerationParamDef		
Range	ADC_ACCESS_MODE_SINGLE		Single value access mode
	ADC_ACCESS_MODE_STREAMING		Streaming access mode
Post-Build Variant Value	true		
Value Configuration Class	Pre-compile time	X	VARIANT-PRE-COMPILE
	Link time	--	
	Post-build time	X	VARIANT-POST-BUILD
Scope Dependency	scope: local dependency: AdcGroupTriggSrc / AdcGroupConvMode: streaming access mode is not available for one-shot conversion mode with software trigger source.		

SWS Item	ECUC_Adc_00397 :		
Name	AdcGroupConversionMode		
Parent Container	AdcGroup		
Description	Type of conversion mode supported by the driver. ImplementationType: Adc_GroupConvModeType		
Multiplicity	1		
Type	EcucEnumerationParamDef		
Range	ADC_CONV_MODE_CONTINUOUS		Conversions of an ADC channel group are performed continuously after a software API call (start). The conversions itself are running

		automatically (no additional software or hardware trigger needed).
	ADC_CONV_MODE_ONESHOT	The conversion of an ADC channel group is performed once after a trigger.
Post-Build Variant Value	true	
Value Configuration Class	Pre-compile time	X VARIANT-PRE-COMPILE
	Link time	--
	Post-build time	X VARIANT-POST-BUILD
Scope Dependency	scope: local dependency: AdcGroupTriggSrc: Continuous conversion mode only available for software triggered groups.	

SWS Item	ECUC_Adc_00398 :		
Name	AdcGroupId		
Parent Container	AdcGroup		
Description	Numeric ID of the group. This parameter is the symbolic name to be used on the API. This symbolic name allows accessing Channel Group data. This value will be assigned to the symbolic name derived of the AdcGroup container shortName. ImplementationType: Adc_GroupType		
Multiplicity	1		
Type	EcucIntegerParamDef (Symbolic Name generated for this parameter)		
Range	0 .. 1023		
Default value	--		
Post-Build Variant Value	false		
Value Configuration Class	Pre-compile time	X	All Variants
	Link time	--	
	Post-build time	--	
Scope / Dependency	scope: local		

SWS Item	ECUC_Adc_00287 :		
Name	AdcGroupPriority		
Parent Container	AdcGroup		
Description	Priority level of the AdcGroup. ImplementationType: Adc_GroupPriorityType		
Multiplicity	0..1		
Type	EcucIntegerParamDef		
Range	0 .. 255		
Default value	--		
Post-Build Variant Multiplicity	true		
Post-Build Variant Value	true		
Multiplicity Configuration Class	Pre-compile time	X	VARIANT-PRE-COMPILE
	Link time	--	
	Post-build time	X	VARIANT-POST-BUILD
Value Configuration Class	Pre-compile time	X	VARIANT-PRE-COMPILE
	Link time	--	
	Post-build time	X	VARIANT-POST-BUILD
Scope / Dependency	scope: local dependency: ADC_PRIORITY_IMPLEMENTATION		

SWS Item	ECUC_Adc_00435 :		
Name	AdcGroupReplacement		

Parent Container	AdcGroup		
Description	Replacement mechanism, which is used on ADC group level, if a group conversion is interrupted by a group which has a higher priority. ImplementationType: Adc_GroupReplacementType		
Multiplicity	0..1		
Type	EcucEnumerationParamDef		
Range	ADC_GROUP_REPL_ABORT_RESTART	Abort/Restart mechanism is used on group level, if a group is interrupted by a higher priority group. The complete conversion round of the interrupted group (all group channels) is restarted after the higher priority group conversion is finished. If the group is configured in streaming access mode, only the results of the interrupted conversion round are discarded. Results of previous conversion rounds which are already written to the result buffer are not affected.	
	ADC_GROUP_REPL_SUSPEND_RESUME	Suspend/Resume mechanism is used on group level, if a group is interrupted by a higher priority group. The conversions round (conversion of all group channels) of the interrupted group is completed after the higher priority group conversion is finished. If the group is configured in streaming access mode, only the results of the interrupted conversion round are discarded. Results of previous conversion rounds which are already written to the result buffer are not affected.	
Post-Build Variant Multiplicity	true		
Post-Build Variant Value	true		
Multiplicity Configuration Class	Pre-compile time	X	VARIANT-PRE-COMPILE
	Link time	--	
	Post-build time	X	VARIANT-POST-BUILD
Value Configuration Class	Pre-compile time	X	VARIANT-PRE-COMPILE
	Link time	--	
	Post-build time	X	VARIANT-POST-BUILD
Scope Dependency	scope: local		

SWS Item	ECUC_Adc_00399 :
Name	AdcGroupTriggSrc
Parent Container	AdcGroup
Description	Type of source event that starts a group conversion. ImplementationType: Adc_TriggerSourceType

Multiplicity	1		
Type	EcucEnumerationParamDef		
Range	ADC_TRIGG_SRC_HW	Group is triggered by a hardware event.	
	ADC_TRIGG_SRC_SW	Group is triggered by a software API call.	
Post-Build Variant Value	true		
Value Configuration Class	Pre-compile time	X	VARIANT-PRE-COMPILE
	Link time	--	
	Post-build time	X	VARIANT-POST-BUILD
Scope Dependency	scope: local dependency: AdcGroupConvMode: Trigger source HW is not available for continuous conversion mode.		

SWS Item	ECUC_Adc_00400 :		
Name	AdcHwTrigSignal		
Parent Container	AdcGroup		
Description	Configures on which edge of the hardware trigger signal the driver should react, i.e. start the conversion (only if supported by the ADC hardware). ImplementationType: Adc_HwTriggerSignalType		
Multiplicity	0..1		
Type	EcucEnumerationParamDef		
Range	ADC_HW_TRIG_BOTH_EDGES	React on both edges of the hardware trigger signal (only if supported by the ADC hardware).	
	ADC_HW_TRIG_FALLING_EDGE	React on the falling edge of the hardware trigger signal (only if supported by the ADC hardware).	
	ADC_HW_TRIG_RISING_EDGE	React on the rising edge of the hardware trigger signal (only if supported by the ADC hardware).	
Post-Build Variant Multiplicity	true		
Post-Build Variant Value	true		
Value Configuration Class	Pre-compile time	X	VARIANT-PRE-COMPILE
	Link time	--	
	Post-build time	X	VARIANT-POST-BUILD
Value Configuration Class	Pre-compile time	X	VARIANT-PRE-COMPILE
	Link time	--	
	Post-build time	X	VARIANT-POST-BUILD
Scope Dependency	scope: local dependency: AdcTriggSrcHw: Valid only if the group is configured to be triggered by a hardware event.		

SWS Item	ECUC_Adc_00401 :		
Name	AdcHwTrigTimer		
Parent Container	AdcGroup		
Description	Reload value of the ADC module embedded timer (only if supported by ADC hardware). ImplementationType: Adc_HwTriggerTimerType		
Multiplicity	0..1		
Type	EcucIntegerParamDef		
Range	0 ..		
	18446744073709551615		

Default value	--		
Post-Build Variant Multiplicity	true		
Post-Build Variant Value	true		
Multiplicity Configuration Class	Pre-compile time	X	VARIANT-PRE-COMPILE
	Link time	--	
	Post-build time	X	VARIANT-POST-BUILD
Value Configuration Class	Pre-compile time	X	VARIANT-PRE-COMPILE
	Link time	--	
	Post-build time	X	VARIANT-POST-BUILD
Scope / Dependency	scope: local dependency: AdcTriggSrcHw: Valid only if the group is configured to be triggered by a hardware event.		

SWS Item	ECUC_Adc_00402 :		
Name	AdcNotification		
Parent Container	AdcGroup		
Description	Callback function for each group		
Multiplicity	0..1		
Type	EcucFunctionNameDef		
Default value	--		
maxLength	--		
minLength	--		
regularExpression	--		
Post-Build Variant Multiplicity	true		
Post-Build Variant Value	true		
Multiplicity Configuration Class	Pre-compile time	X	VARIANT-PRE-COMPILE
	Link time	--	
	Post-build time	X	VARIANT-POST-BUILD
Value Configuration Class	Pre-compile time	X	VARIANT-PRE-COMPILE
	Link time	--	
	Post-build time	X	VARIANT-POST-BUILD
Scope / Dependency	scope: local dependency: This parameter is only available, if notification capability is configured available by AdcGrpNotifCapability		

SWS Item	ECUC_Adc_00316 :	
Name	AdcStreamingBufferMode	
Parent Container	AdcGroup	
Description	Configure streaming buffer as "linear buffer" (i.e. the ADC Driver stops the conversion as soon as the stream buffer is full) or as "ring buffer" (wraps around if the end of the stream buffer is reached). ImplementationType: Adc_StreamBufferModeType	
Multiplicity	1	
Type	EcucEnumerationParamDef	
Range	ADC_STREAM_BUFFER_CIRCULAR	The ADC Driver continues the conversion even if the stream buffer is full (number of samples reached) by wrapping around the stream buffer itself.
	ADC_STREAM_BUFFER_LINEAR	The ADC Driver stops the conversion as soon as the stream buffer is full (number of samples reached).
Post-Build Variant	true	

Value			
Value Configuration Class	Pre-compile time	X	VARIANT-PRE-COMPILE
	Link time	--	
	Post-build time	X	VARIANT-POST-BUILD
Scope Dependency	scope: local dependency: AdcGroupAccessMode: Valid only for streaming access mode.		

SWS Item	ECUC_Adc_00292 :		
Name	AdcStreamingNumSamples		
Parent Container	AdcGroup		
Description	Number of ADC values to be acquired per channel in streaming access mode. Note: in single access mode this parameter assumes value 1, since only one sample per channel is processed. ImplementationType: Adc_StreamNumSampleType		
Multiplicity	1		
Type	EcucIntegerParamDef		
Range	1 .. 255		
Default value	1		
Post-Build Variant Value	true		
Value Configuration Class	Pre-compile time	X	VARIANT-PRE-COMPILE
	Link time	--	
	Post-build time	X	VARIANT-POST-BUILD
Scope / Dependency	scope: local dependency: AdcGroupAccessMode: Valid only for streaming access mode. In single access mode this parameter assumes value 1, since only one sample per channel is processed.		

SWS Item	ECUC_Adc_00014 :		
Name	AdcGroupDefinition		
Parent Container	AdcGroup		
Description	Assignment of AdcChannels to a AdcGroups. ImplementationType: Adc_GroupDefType		
Multiplicity	1..*		
Type	Reference to [AdcChannel]		
Post-Build Variant Multiplicity	true		
Post-Build Variant Value	true		
Multiplicity Configuration Class	Pre-compile time	X	VARIANT-PRE-COMPILE
	Link time	--	
	Post-build time	X	VARIANT-POST-BUILD
Value Configuration Class	Pre-compile time	X	VARIANT-PRE-COMPILE
	Link time	--	
	Post-build time	X	VARIANT-POST-BUILD
Scope / Dependency	scope: local		

No Included Containers

[SWS_Adc_00098] [(refers to ADC396): All channels of a group share the same group configuration (channel can have different channel specific configurations).] (SRS_Adc_12447)

10.2.7 AdcHwUnit

SWS Item	ECUC_Adc_00242 :
Container Name	AdcHwUnit
Description	This container contains the Driver configuration (parameters) depending on grouping of channels This container could contain HW specific parameters which are not defined in the Standardized Module Definition. They must be added in the Vendor Specific Module Definition.
Configuration Parameters	

SWS Item	ECUC_Adc_00087 :		
Name	AdcClockSource		
Parent Container	AdcHwUnit		
Description	The ADC module specific clock input for the conversion unit can statically be configured to select different clock sources if provided by hardware. Enumeration literals are defined vendor specific.		
Multiplicity	0..1		
Type	EcucEnumerationParamDef		
Range	--		
Post-Build Multiplicity	Variant	true	
Post-Build Variant Value	true		
Multiplicity Configuration Class	Pre-compile time	X	VARIANT-PRE-COMPILE
	Link time	--	
	Post-build time	X	VARIANT-POST-BUILD
Value Configuration Class	Pre-compile time	X	VARIANT-PRE-COMPILE
	Link time	--	
	Post-build time	X	VARIANT-POST-BUILD
Scope / Dependency	scope: local		

SWS Item	ECUC_Adc_00389 :		
Name	AdcHwUnitId		
Parent Container	AdcHwUnit		
Description	Description: Numeric ID of the HW Unit. This symbolic name allows accessing Hw Unit data. Enumeration literals are defined vendor specific.		
Multiplicity	1		
Type	EcucEnumerationParamDef		
Range	--		
Post-Build Variant Value	true		
Value Configuration Class	Pre-compile time	X	VARIANT-PRE-COMPILE
	Link time	--	
	Post-build time	X	VARIANT-POST-BUILD
Scope / Dependency	scope: local		

SWS Item	ECUC_Adc_00088 :		
Name	AdcPrescale		
Parent Container	AdcHwUnit		
Description	Optional ADC module specific clock prescale factor, if supported by hardware. ImplementationType: Adc_PrescaleType		
Multiplicity	0..1		
Type	EcucIntegerParamDef		
Range	0 .. 65535		

Default value	--		
Post-Build Multiplicity	Variant	true	
Post-Build Variant Value	true		
Multiplicity Configuration Class	Pre-compile time	X	VARIANT-PRE-COMPILE
	Link time	--	
	Post-build time	X	VARIANT-POST-BUILD
Value Configuration Class	Pre-compile time	X	VARIANT-PRE-COMPILE
	Link time	--	
	Post-build time	X	VARIANT-POST-BUILD
Scope / Dependency	scope: local		

Included Containers		
Container Name	Multiplicity	Scope / Dependency
AdcChannel	1..*	This container contains the channel configuration (parameters) depending on the hardware capability. The organization of this data structure could contain dependencies to the microcontroller so this is left up to the implementer and its location is left up to the configuration. Note: Since a AdcChannel can be part of several AdcGroups, this container is not realized as a subcontainer of AdcGroup but instead as a subcontainer of AdcHwUnit.
AdcGroup	1..*	This container contains the Group configuration (parameters).

[SWS_Adc_00138] [(refers to ADC242): The ADC Driver shall support one or several ADC HW Units of the same type. The selection of ADC HW Unit shall be done by the configuration container AdcHwUnit.] ()

10.3 Published information

For details refer to the chapter 10.3 “Published Information” in *SWS_BSWGeneral*.

10.3.1 AdcPublishedInformation

SWS Item	ECUC_Adc_00030 :
Container Name	AdcPublishedInformation
Description	Additional published parameters not covered by "Common" Published Information. Note that these parameters have "PUBLISHED-INFORMATION" configuration class setting, since they are published information.
Configuration Parameters	

SWS Item	ECUC_Adc_00410 :
Name	AdcChannelValueSigned
Parent Container	AdcPublishedInformation
Description	Information whether the result value of the ADC driver has sign information (true) or not (false). If the result shall be interpreted as signed value it shall apply to C-language rules.
Multiplicity	1
Type	EcucBooleanParamDef

Default value	--		
Post-Build Variant Value	false		
Value Configuration Class	Published Information	X	All Variants
Scope / Dependency	scope: local		

SWS Item	ECUC_Adc_00411 :		
Name	AdcGroupFirstChannelFixed		
Parent Container	AdcPublishedInformation		
Description	Information whether the first channel of an ADC Channel group can be configured (false) or is fixed (true) to a value determined by the ADC HW Unit.		
Multiplicity	1		
Type	EcucBooleanParamDef		
Default value	--		
Post-Build Variant Value	false		
Value Configuration Class	Published Information	X	All Variants
Scope / Dependency	scope: local		

SWS Item	ECUC_Adc_00412 :		
Name	AdcMaxChannelResolution		
Parent Container	AdcPublishedInformation		
Description	Maximum Channel resolution in bits (does not specify accuracy).		
Multiplicity	1		
Type	EcucIntegerParamDef		
Range	1 .. 63		
Default value	--		
Post-Build Variant Value	false		
Value Configuration Class	Published Information	X	All Variants
Scope / Dependency	scope: local		

No Included Containers

10.4 Configuration of symbolic names

[SWS_Adc_00099] [The symbolic names of ADC channels and ADC channel groups for use by the upper layer shall be defined by the configurator. They are to be defined in the modules configuration header file.] (SRS_Adc_12307, SRS_Adc_12447)

11 Not applicable requirements

[SWS_Adc_00460] [These requirements are not applicable to this specification.]
(SRS_BSW_00344, SRS_BSW_00167, SRS_BSW_00170, SRS_BSW_00398,
SRS_BSW_00375, SRS_BSW_00416, SRS_BSW_00168, SRS_BSW_00423,
SRS_BSW_00424, SRS_BSW_00425, SRS_BSW_00426, SRS_BSW_00427,
SRS_BSW_00428, SRS_BSW_00429, SRS_BSW_00432, SRS_BSW_00433,
SRS_BSW_00417, SRS_BSW_00161, SRS_BSW_00162, SRS_BSW_00005,
SRS_BSW_00164, SRS_BSW_00325, SRS_BSW_00342, SRS_BSW_00343,
SRS_BSW_00160, SRS_BSW_00007, SRS_BSW_00413, SRS_BSW_00347,
SRS_BSW_00307, SRS_BSW_00373, SRS_BSW_00301, SRS_BSW_00302,
SRS_BSW_00328, SRS_BSW_00312, SRS_BSW_00006, SRS_BSW_00357,
SRS_BSW_00306, SRS_BSW_00308, SRS_BSW_00371, SRS_BSW_00330,
SRS_BSW_00009, SRS_BSW_00010, SRS_BSW_00341, SRS_BSW_00334,
SRS_SPAL_12267, SRS_SPAL_12463, SRS_SPAL_12068, SRS_SPAL_12069,
SRS_SPAL_12169, SRS_SPAL_12064, SRS_SPAL_12067, SRS_SPAL_12077,
SRS_SPAL_12078, SRS_SPAL_12092, SRS_SPAL_12265)