

**COLOURSMART
BREEZEWAY
COLORBOND®
FENCING**

COLORBOND® COLOURSMART BREEZEWAY PANEL
 WIDTHS 2400, 3180; HEIGHTS 1200, 1500, 1800, 2100



COLORBOND® COLOURSMART BREEZEWAY GATE
 WIDTHS 930, 1720; HEIGHTS 1200, 1500, 1800, 2100

**1800mm High Panel Shown

FRONT ELEVATION

OXWORKS™

STANDARDS

- AS1397 Formability & Structural Grades of Steel:
 - Posts & Rails 0.8mm / Infill Sheets 0.35mm Base Metal Thickness (BMT)
- AS2728 Coated Mass & Paint Film Thickness

COLORBOND® BREEZEWAY PANELS

2400mm wide Breezeway Panel consists of:

- 3 x Overlapped Sheets (835mm Wide)
- 2 x CS Channel Posts
- 3 x 2400mm CS Rails
- 3 of 65 x 16 x 2400mm Slats (Cut on site)
- 2 of Pre-Slotted 50 x 50 x 250mm Breezeway Posts with 14mm Slat Spacings

3180mm wide Breezeway Panel consists of:

- 4 x Overlapped Sheets (835mm Wide)
- 2 x CS Channel Posts
- 3 x 3180mm CS Rails
- 3 of 65 x 16 x 3600mm Slats (Cut on site)
- 2 of Pre-Slotted 50 x 50 x 250mm Breezeway Posts with 14mm Slat Spacings

COLORBOND® BREEZEWAY GATES

Single Gates are 930mm Wide:

- 1 x Infill Sheets;
- 2 x Breezeway Gate Stile;
- 3 x 830mm CS Rail;
- 3 of 65 x 16 x 820mm Slats

Double Gates are 1720mm Wide per Leaf:

- 2 x Infill Sheets;
- 2 x Breezeway Gate Stile;
- 3 x 1620mm CS Rail;
- 3 of 65 x 16 x 1610mm Slats

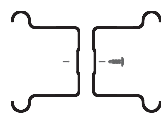
Available in 22 Colorbond® Steel Fencing colours, guaranteed to meet AS2728.



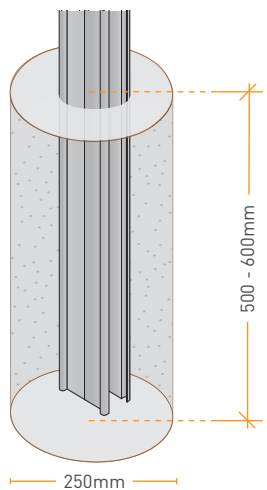
TITLE: COLOURSMART BREEZEWAY PANEL & GATE SPECIFICATIONS

CONTACT: sales@oxworks.com.au

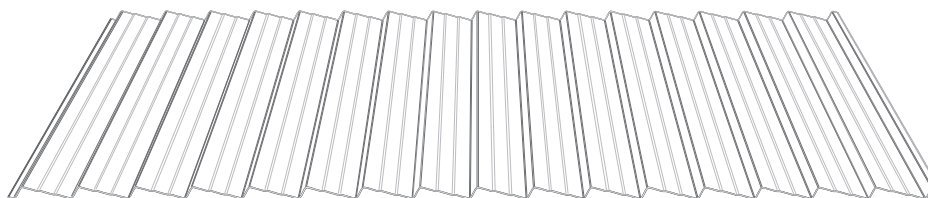
oxworks.com.au 1300 336 237



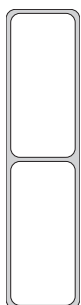
BACK TO BACK POST DETAIL



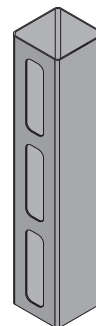
IN GROUND POST DETAIL



BREEZEWAY ZIG ZAG PROFILE
 0.35MM BASE METAL THICKNESS (BMT)

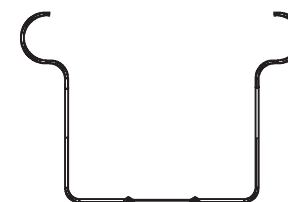


65 X 16MM
 POWDER COATED
 ALUMINIUM SLAT

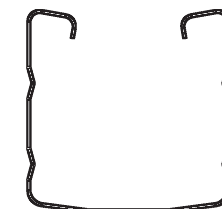


POWDER COATED
 BREEZEWAY
 PRE-SLOTTED
 ALUMINIUM POST
 14MM SPACINGS

BREEZEWAY PANEL INFILL



COLOURSMART POST
 PROFILE - 0.8 BMT



COLOURSMART RAIL
 PROFILE - 0.8 BMT



COLOURSMART BREEZEWAY PANEL
(2400 x 1800mm SHOWN)

OXWORKS™

STANDARDS

- AS1397 Formability & Structural Grades of Steel:
 - Posts & Rails 0.8mm / Infill Sheets 0.35mm Base Metal Thickness (BMT)
- AS2728 Coated Mass & Paint Film Thickness

COLORBOND® BREEZEWAY PANELS

2400mm wide Breezeway Panel consists of:

- 3 x Overlapped Sheets (835mm Wide)
- 2 x CS Channel Posts
- 3 x 2400mm CS Rails
- 3 of 65 x 16 x 2400mm Slats (Cut on site)
- 2 of Pre-Slotted 50 x 50 x 250mm Breezeway Posts with 14mm Slant Spacings

3180mm wide Breezeway Panel consists of:

- 4 x Overlapped Sheets (835mm Wide)
- 2 x CS Channel Posts
- 3 x 3180mm CS Rails
- 3 of 65 x 16 x 3600mm Slats (Cut on site)
- 2 of Pre-Slotted 50 x 50 x 250mm Breezeway Posts with 14mm Slant Spacings

COLORBOND® BREEZEWAY GATES

Single Gates are 930mm Wide:

- 1 x Infill Sheets;
- 2 x Breezeway Gate Stile;
- 3 x 830mm CS Rail;
- 3 of 65 x 16 x 820mm Slats

Double Gates are 1720mm Wide per Leaf:

- 2 x Infill Sheets;
- 2 x Breezeway Gate Stile;
- 3 x 1620mm CS Rail;
- 3 of 65 x 16 x 1610mm Slats

Available in 22 Colorbond® Steel Fencing colours, guaranteed to meet AS2728.

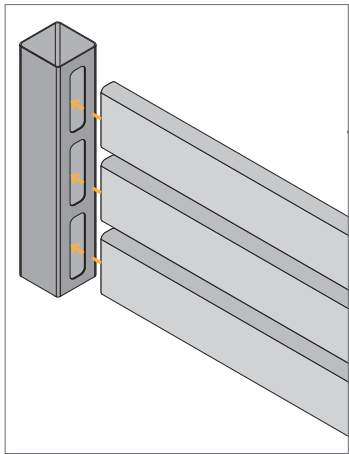


Colorbond®

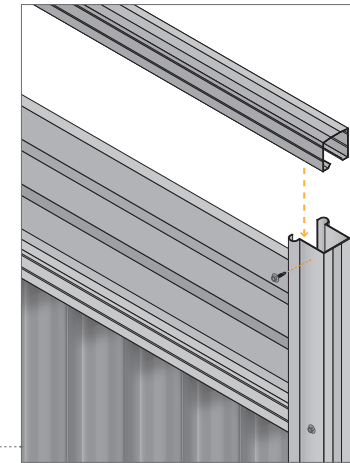
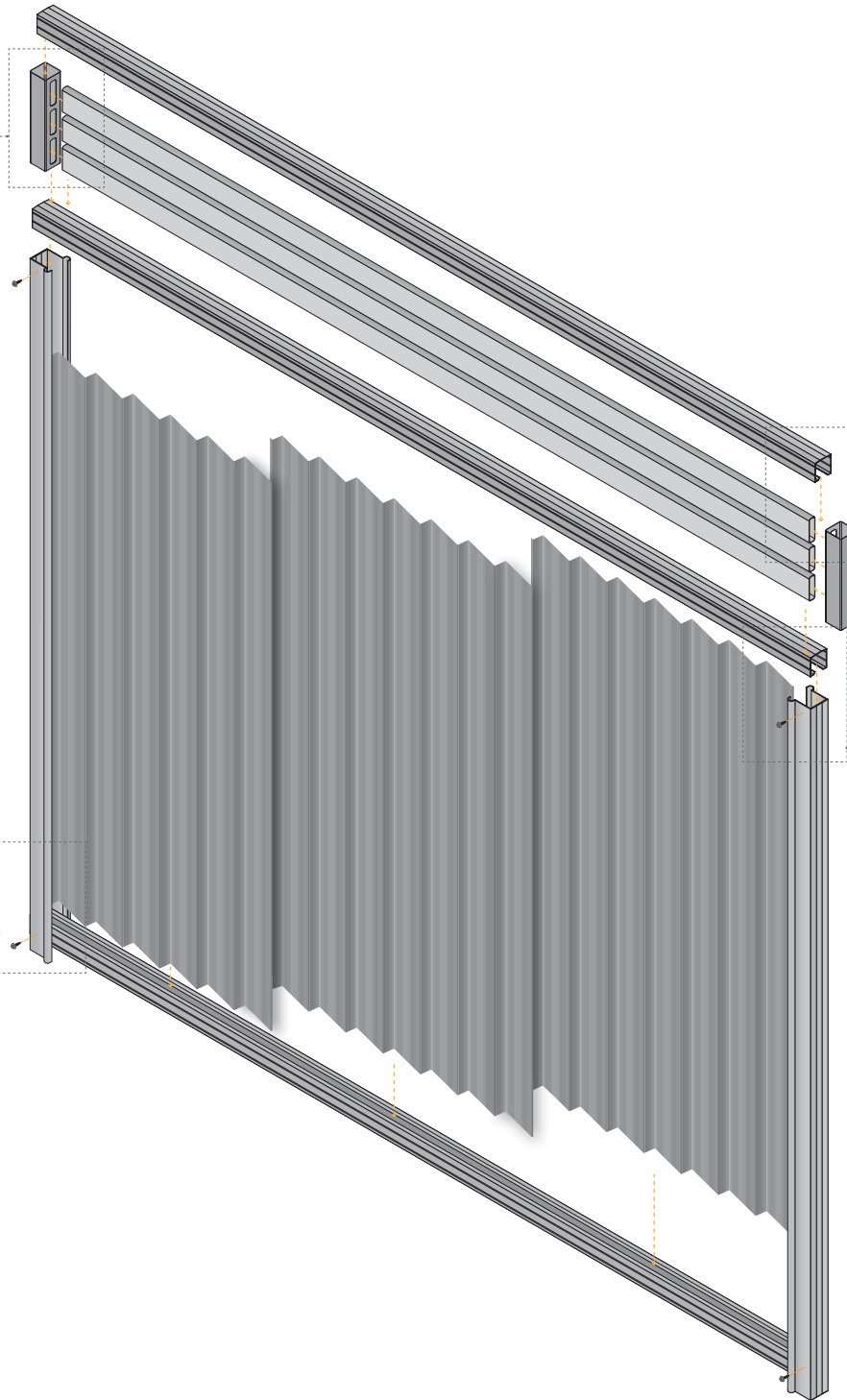
TITLE: COLOURSMART BREEZEWAY
TYPICAL CONFIGURATION
(2400 X 1800MM PANEL SHOWN)

CONTACT: sales@oxworks.com.au

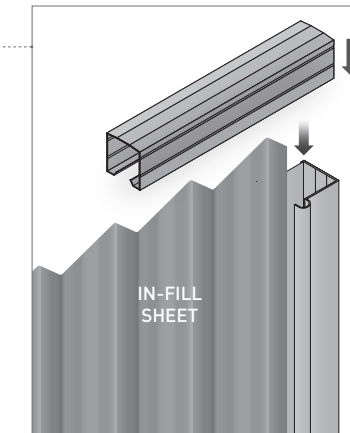
oxworks.com.au 📍 1300 336 237



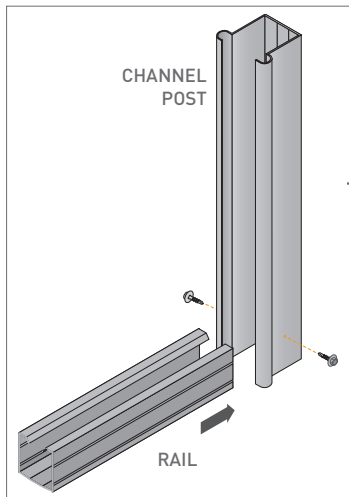
BREEZEWAY SLAT SETUP



TOP RAIL POST SETUP



IN-FILL SET-UP



BOTTOM RAIL & POST SET-UP

STANDARDS

- AS1397 Formability & Structural Grades of Steel:
 - Posts & Rails 0.8mm / Infill Sheets 0.35mm Base Metal Thickness (BMT)
- AS2728 Coated Mass & Paint Film Thickness

COLORBOND® BREEZEWAY PANELS

2400mm wide Breezeway Panel consists of:

- 3 x Overlapped Sheets (835mm Wide)
- 2 x CS Channel Posts
- 3 x 2400mm CS Rails
- 2 of 65 x 16 x 2400mm Slats (Cut on site)
- 2 of Pre-Slotted 50 x 50 x 250mm Breezeway Posts with 14mm Slat Spacings

3180mm wide Breezeway Panel consists of:

- 4 x Overlapped Sheets (835mm Wide)
- 2 x CS Channel Posts
- 3 x 3180mm CS Rails
- 3 of 65 x 16 x 3600mm Slats (Cut on site)
- 2 of Pre-Slotted 50 x 50 x 250mm Breezeway Posts with 14mm Slat Spacings

COLORBOND® BREEZEWAY GATES

Single Gates are 930mm Wide:

- 1 x Infill Sheets;
- 2 x Breezeway Gate Stile;
- 3 x 830mm CS Rail;
- 3 of 65 x 16 x 820mm Slats

Double Gates are 1720mm Wide per Leaf:

- 2 x Infill Sheets;
- 2 x Breezeway Gate Stile;
- 3 x 1620mm CS Rail;
- 3 of 65 x 16 x 1610mm Slats

Available in 22 Colorbond® Steel Fencing colours, guaranteed to meet AS2728.



TITLE: COLOURSMART BREEZEWAY UNASSEMBLED CONFIGURATION

CONTACT: sales@oxworks.com.au

oxworks.com.au 📍 1300 336 237

STANDARDS

- AS1397 Formability & Structural Grades of Steel:
 - Posts & Rails 0.8mm / Infill Sheets 0.35mm Base Metal Thickness (BMT)
- AS2728 Coated Mass & Paint Film Thickness

COLORBOND® BREEZEWAY PANELS

2400mm wide Breezeway Panel consists of:

- 3 x Overlapped Sheets (835mm Wide)
- 2 x CS Channel Posts
- 3 x 2400mm CS Rails
- 3 of 65 x 16 x 2400mm Slats (Cut on site)
- 2 of Pre-Slotted 50 x 50 x 250mm Breezeway Posts with 14mm Slant Spacings

3180mm wide Breezeway Panel consists of:

- 4 x Overlapped Sheets (835mm Wide)
- 2 x CS Channel Posts
- 3 x 3180mm CS Rails
- 3 of 65 x 16 x 3600mm Slats (Cut on site)
- 2 of Pre-Slotted 50 x 50 x 250mm Breezeway Posts with 14mm Slant Spacings

COLORBOND® BREEZEWAY GATES

Single Gates are 930mm Wide:

- 1 x Infill Sheets;
- 2 x Breezeway Gate Stile;
- 3 x 830mm CS Rail;
- 3 of 65 x 16 x 820mm Slats

Double Gates are 1720mm Wide per Leaf:

- 2 x Infill Sheets;
- 2 x Breezeway Gate Stile;
- 3 x 1620mm CS Rail;
- 3 of 65 x 16 x 1610mm Slats

Available in 22 Colorbond® Steel Fencing colours, guaranteed to meet AS2728.

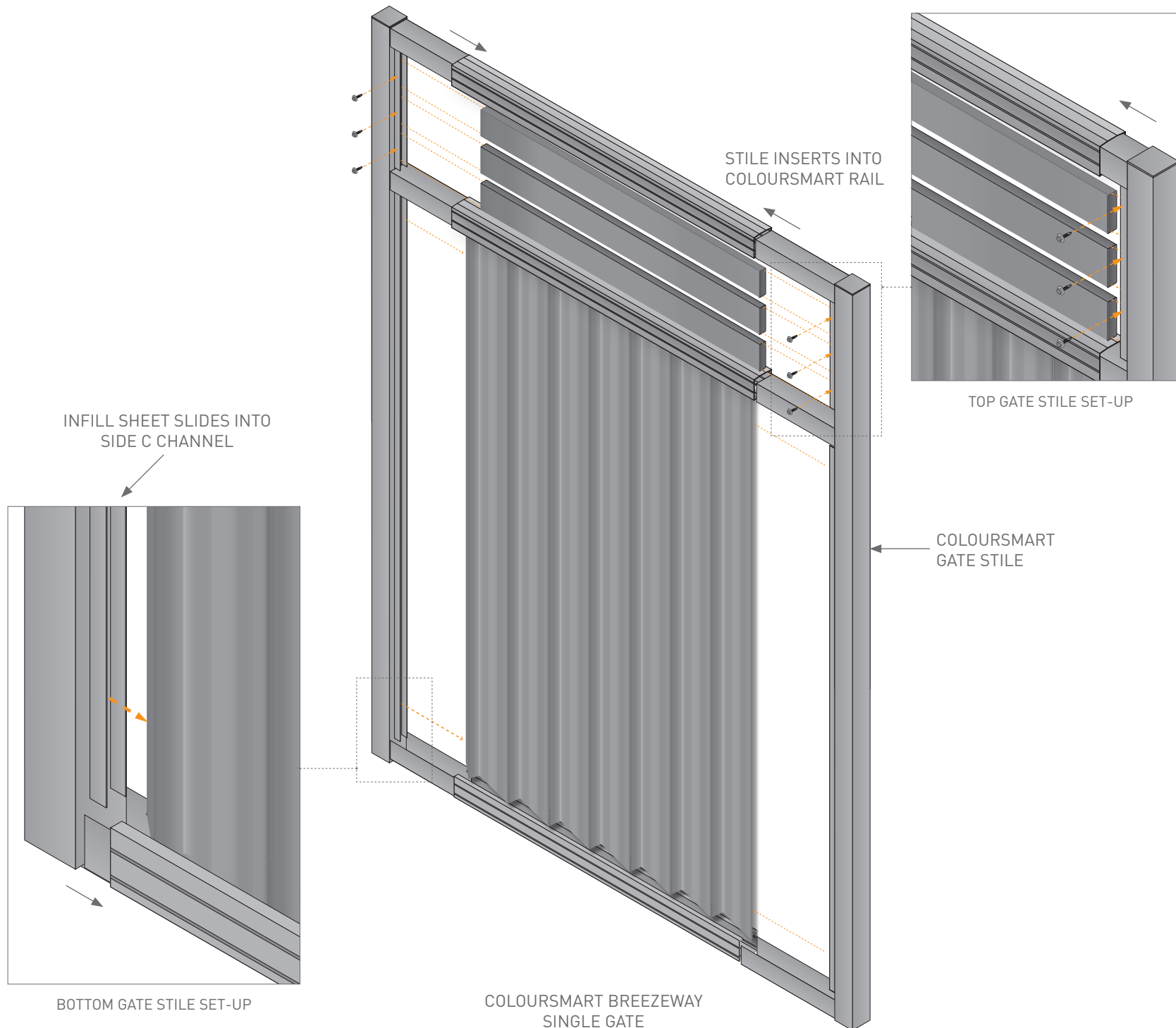


Colorbond®

TITLE: COLOURSMART BREEZEWAY SINGLE GATE UNASSEMBLED

CONTACT: sales@oxworks.com.au

oxworks.com.au 📍 1300 336 237



STANDARDS

- AS1397 Formability & Structural Grades of Steel:
 - Posts & Rails 0.8mm / Infill Sheets 0.35mm Base Metal Thickness (BMT)
- AS2728 Coated Mass & Paint Film Thickness

COLORBOND® BREEZEWAY PANELS

2400mm wide Breezeway Panel consists of:

- 3 x Overlapped Sheets (835mm Wide)
- 2 x CS Channel Posts
- 3 x 2400mm CS Rails
- 3 of 65 x 16 x 2400mm Slats (Cut on site)
- 2 of Pre-Slotted 50 x 50 x 250mm Breezeway Posts with 14mm Slant Spacings

3180mm wide Breezeway Panel consists of:

- 4 x Overlapped Sheets (835mm Wide)
- 2 x CS Channel Posts
- 3 x 3180mm CS Rails
- 3 of 65 x 16 x 3600mm Slats (Cut on site)
- 2 of Pre-Slotted 50 x 50 x 250mm Breezeway Posts with 14mm Slant Spacings

COLORBOND® BREEZEWAY GATES

Single Gates are 930mm Wide:

- 1 x Infill Sheets;
- 2 x Breezeway Gate Stile;
- 3 x 830mm CS Rail;
- 3 of 65 x 16 x 820mm Slats

Double Gates are 1720mm Wide per Leaf:

- 2 x Infill Sheets;
- 2 x Breezeway Gate Stile;
- 3 x 1620mm CS Rail;
- 3 of 65 x 16 x 1610mm Slats

Available in 22 Colorbond® Steel Fencing colours, guaranteed to meet AS2728.

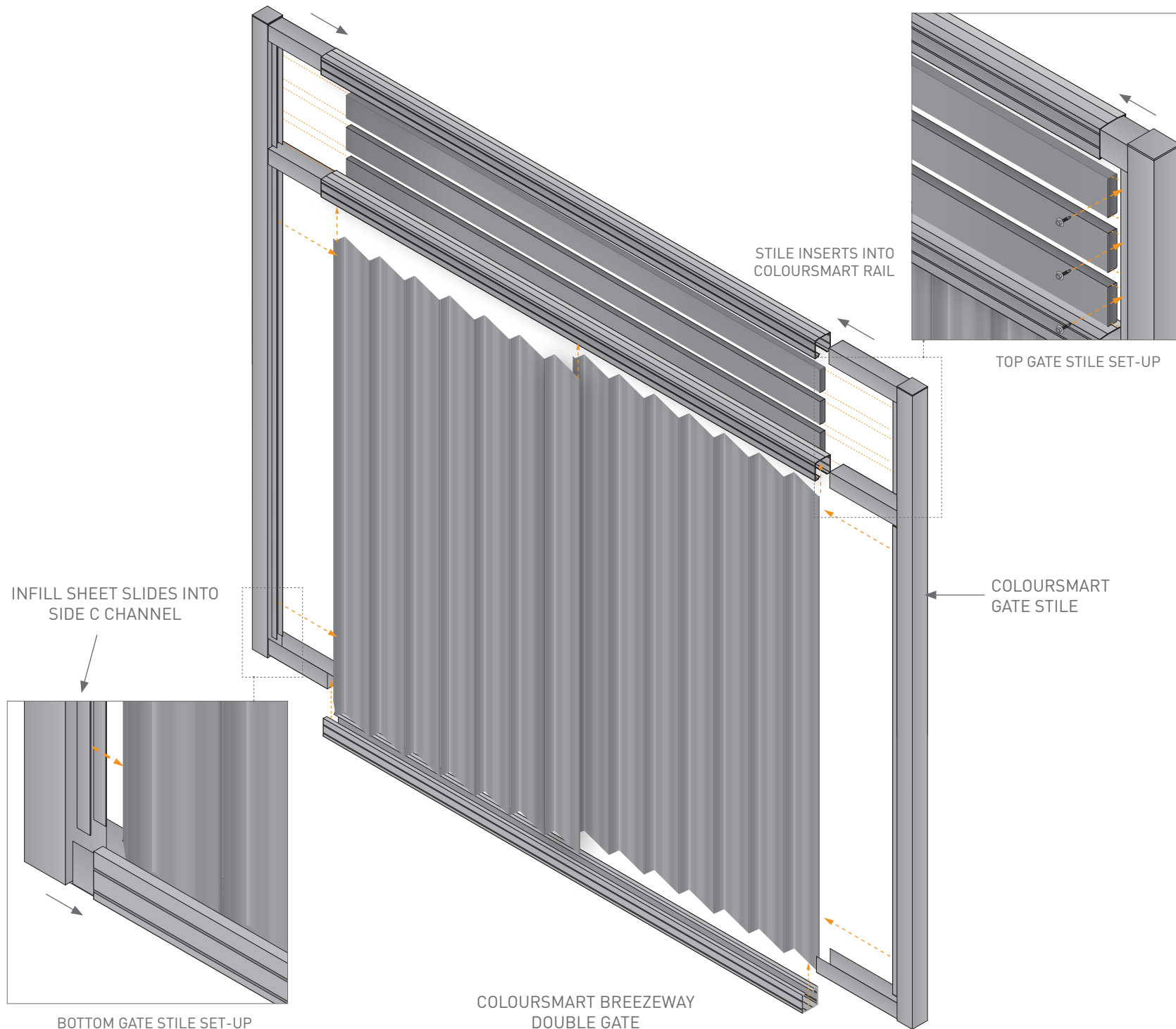


Colorbond®

TITLE: COLOURSMART BREEZEWAY DOUBLE GATE UNASSEMBLED

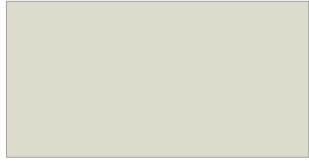
CONTACT: sales@oxworks.com.au

oxworks.com.au 📍 1300 336 237



STANDARD COLOUR RANGE - IN STOCK

Colorbond®



SURFMIST® SM
*Frost
Off White*



DOMAIN® DO
*Classic Cream
Primrose*



PAPERBARK® PA
*Terrace
Merino*



EVENING HAZE® EH
*Summershade
Mossvale Sands*



SHALE GREY® SG
*Snow Gum
Gull Grey*



DUNE® DU
*Seedpod
Grey Birch*



RIVERSAND® RI



PALE EUCALYPT® PE
*Meadow
Mist Green*



WILDERNESS® WN
*Willow
Rivergum Green*



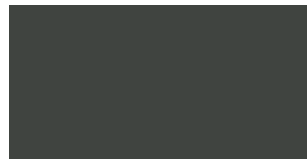
JASPER® JA
Plateau



BASALT® BA



IRONSTONE® IR
Dark Ash



WOODLAND GREY® WG
*Grey Ridge
Slate Grey*



MONUMENT® MO
Shadow

EXTENDED COLOUR RANGE - IN STOCK

Colorbond®



WALLABY® WA



WINDSPRAY® WS
*Haze
Armour Grey*



DEEP OCEAN® DE
*Bluestone
Mountain Blue*



MANOR RED® MR
*Red Oak
Heritage Red*



NIGHT SKY® BL
*Eclipse
Black* Posts & Rails Only



BUSHLAND® BU
Tea Tree



COTTAGE GREEN® CG
*Evergreen
Caulfield Green*



HARVEST® HA
Wheat

OXWORKS™

Colorbond®
FENCING REFRESH

COLORBOND® FENCING COLOUR NAMES & ALIASES

STANDARDS

- AS1397
Formability & Structural Grades of Steel:

- Posts & Rails 0.8mm
Base Metal Thickness (BMT)
- Infill Sheets 0.35mm BMT

- AS2728

- Coated Mass & Paint Film Thickness

AVAILABILITY

- All colours available IN STOCK at all Stores
- New Colours Available from Feb 2016

NOTE: As printers, monitors and phone screens can differ in the way they display colours, these colour swatches should be used as an indicative guide only.



TITLE: COLORBOND® STEEL FENCING COLOUR RANGE

CONTACT: sales@oxworks.com.au

oxworks.com.au 1300 336 237