

CHAPTER

5

Disconnect

Featured Products in this Chapter



- ▶ **CONCEPT® Disconnect Enclosure, Type 4X** P. 317
- ▶ **Fiberglass Disconnect, Type 4X** P. 328
- ▶ **WATERSHED® Disconnect Enclosure, Type 4X** P. 340
- ▶ **SEQUESTER™ External Disconnect Enclosure Package, Type 12** P. 408



CHAPTER CONTENTS

Wall-Mount Preferred-Cutout Disconnect Enclosures

Wall-Mount Preferred-Cutout Overview
 Preferred-Cutout Overview 312

Preferred Cutout, Disconnect Enclosure, Type 12
 Preferred Cutout, Disconnect Enclosure, Type 12 313
 POWERGLIDE® Defeater Handle Kit 316
 Disconnect Mounting Space 316

CONCEPT® Wall-Mount Disconnect Enclosures
 CONCEPT® Disconnect Enclosure, Type 4 317
 CONCEPT® Disconnect Enclosure, Type 4X 319
 CONCEPT® with Quarter-Turn Latches Disconnect Enclosure, Type 4X 322
 Disconnect Mounting Space 323

Type 4 and 12 Wall-Mount Disconnect Enclosures
 Disconnect Enclosure with Clamps, Type 4 324
 Disconnect Enclosure with Clamps, Type 4X 326
 Disconnect Mounting Space 327

Fiberglass Disconnect Enclosures
 Fiberglass Disconnect, Type 4X 328
 Disconnect Mounting Space 331

Low-Profile Type 12 Disconnect Enclosures and Accessories
 Low-Profile, One- to Five-Door Disconnect Enclosure, Type 12 332
 Disconnect Mounting Space 339
 Panels for A26 Low-Profile Type 12 Disconnect Enclosures 339

Hoffman WATERSHED® Wall-Mount Disconnect Enclosures
 WATERSHED® Disconnect Enclosure, Type 4X 340
 Disconnect Mounting Space 341
 Mounting Bracket Kit 342
 Stand-Off Kit 342
 Padlocking Handle Kit 342
 Padlocking Latch Kit 342

Wall-Mount Fixed-Depth Allen-Bradley Disconnect Enclosures

Wall-Mount Fixed-Depth AB Cutout Overview
 Fixed-Depth Allen-Bradley Cutout Overview 344

Type 12, 13 Fixed-Depth AB Disconnects
 Allen-Bradley® 1494 Cutout Disconnect Enclosure, Type 12 345
 Disconnect Mounting Space 347

Free-Stand Preferred-Cutout Disconnect Enclosures

Free-Stand Preferred-Cutout Disconnect Overview
 Preferred-Cutout Overview 348

Free-Stand Disconnect Enclosures and Accessories
 Free-Stand Disconnect Enclosure, Type 1 349
 Disconnect Mounting Space 352
 Gasket Kits 352

PROLINE-DD Modular Enclosures and Accessories
 PROLINE®-DD Disconnect Enclosure, Type 12 353
 Disconnect Mounting Space 355
 PROLINE®-DD Modular Subpanel 355
 PROLINE®-DD Modular 100-mm Bases 355

Free-Stand Stainless Steel Preferred-Cutout Disconnect Enclosures

Free-Stand Preferred-Cutout Stainless Steel Disconnect Overview
 Preferred-Cutout Overview 356

Stainless Steel Two-Door Disconnect Enclosure
 Two-Door Stainless Steel Enclosures for Flange-Mounted Disconnects, Type 4X 357
 Disconnect Mounting Space 360

Stainless Steel General Purpose Disconnect Enclosures
 General Purpose Stainless Steel Two-Door Floor-Mount Disconnect Enclosures, Type 4X 362
 General Purpose Single-Door Free-Stand Disconnect, Type 4X 364
 Disconnect Mounting Space 366

Stainless Steel Heavy Duty Disconnect Enclosures
 Stainless Steel Heavy-Duty Free-Stand Enclosures for Flange-Mount Disconnects, Type 4X 368
 Disconnect Mounting Space 374

Hoffman WATERSHED® Stainless Steel
 Hoffman WATERSHED® Free-Standing SS Disconnect Enclosures 376
 Disconnect Mounting Space 378
 Sanitary Leg Kits 379

Free-Stand Universal-Cutout Disconnect Enclosures

Free-Stand Universal-Cutout Disconnect Overview
 Universal Cutout Overview 380

Free-Stand Type 12 Disconnect Enclosures
 Two-Door with Floor Stands Disconnect Enclosure, Type 12 381
 Disconnect Mounting Space 385
 Heavy-Duty Free-Stand Disconnect Enclosure, Type 12 386
 Disconnect Mounting Space 396

Type 12 Modular Free-Stand Disconnect Enclosures and Accessories
 Modular Disconnect Enclosure, Type 12 398
 Disconnect Mounting Space 403
 End Plates 404
 Flat End Plates 404
 Barriers 405
 Gasket Kit 405

SEQUESTER® Preferred-Cutout Disconnect Enclosures

SEQUESTER® External Disconnect Preferred-Cutout Overview
 SEQUESTER® Preferred-Cutout Overview 406

SEQUESTER® External Disconnect Enclosures
 SEQUESTER® External Disconnect Enclosure, Type 12 407
 SEQUESTER® External Disconnect Enclosure Package, Type 12 408
 Disconnect Mounting Space 415

Disconnect Enclosure Accessories

Accessories for Free-Stand or Floor-Mount Disconnect Enclosures
 Operator Adapters for Universal Cutouts 416
 Operator Adapters for Preferred Cutouts 416
 Blank Adapter Plates, Mild Steel 416
 Blank Adapter Plates, Stainless Steel 417
 Enclosure Stabilizers 417
 Platform Assembly 417

Preferred-Cutout Overview



Application

Enclosures having the preferred cutout are sized for use with up to 200A disconnect switches and up to 400A circuit breakers unless otherwise specified. The preferred cutout accepts the smaller operating handle whose mounting hole centers are 4.688 in. apart. Preferred cutouts are standard in mild steel wall-mount enclosures, modular enclosures and some select large mild steel enclosures. They are also present on all standard stainless steel offerings. Mild steel operator adapter plates with brand specific preferred cutouts are available for enclosures with a rectangular universal cutout.

Preferred cutouts are designed to house the following:

Allen-Bradley

- Bulletin 1494V disconnect switches with flange-mount variable-depth operating mechanisms and Bulletin 1494V flange-mount variable-depth operating mechanisms for circuit breakers
- Bulletin 140U flexible cable operating mechanisms for 140U molded case circuit breakers
- Bulletin 1494C cable-operated disconnect switches with flange-mount handles
- Bulletin 194RC cable-operated flange-mount handles for use with the NFPA 79 compliant 194R IEC rotary disconnect switches

Allen-Bradley Bulletin 1494V-R1, -R2 and -W2 operating handles and Allen-Bradley Bulletin 1494F disconnect devices or Bulletin 1494D circuit breaker operators will NOT fit these enclosures.

ABB Controls flange-mount variable-depth operating mechanisms for disconnect switches and circuit breakers. Also the cable version for circuit breakers.

Eaton Cutler-Hammer Type C361 flange-mount variable-depth operating mechanisms with disconnect switches and Type C371 flange-mount variable-depth operating mechanisms for circuit breakers.

General Electric Type STDA flange handles and variable-depth operating mechanisms for disconnect switches and circuit breakers. Also SPECTRAFLEX™ cable operators for circuit breakers.

Siemens ITE MAX FLEX® flange-mount variable-depth operating handles for circuit breakers.

Schneider Square D® Class 9422 disconnect switches with flange-mount variable-depth operating mechanisms or cable mechanisms and Class 9422 flange-mount variable-depth operating mechanisms or cable mechanisms for circuit breakers.

These enclosures will NOT accept Square D Class 9422 bracket-mounted disconnect devices, Class 9422TG1 or TG2 devices.

Ordering

The disconnect switch, operating handle, and operating mechanism must be ordered from disconnect equipment supplier. See Technical Information in the Hoffman Specifier's Guide for wire bend space available when various manufacturers' disconnect switches are installed, or Disconnect Ordering Information at hoffmanonline.com for disconnect ordering guidelines and wire bend space available. Check the enclosure dimension drawings to verify the chosen disconnect switch will fit in the enclosure.

Preferred Cutout, Disconnect Enclosure, Type 12

Preferred Cutout, Disconnect Enclosure, Type 12



Industry Standards

UL 508A Listed; Type 12, 13; File No. E61997
 cUL Listed per CSA C22.2 No. 94; Type 12, 13; File No. E61997

NEMA/EEMAC Type 12, 13
 CSA File No. 42186: Type 12
 IEC 60529, IP65

Application

These general purpose disconnect enclosures accept major brand disconnect switches and circuit breakers, available with or without the Hoffman-supplied defeater door handle and handle hardware.

Features

- Includes latch pivot post(s) and cover interlock bracket welded to door, cover latch bar for door, and instructions for installing disconnects
- Model numbers ending with "PL" include handle and handle latching hardware

Specifications

- 14 gauge steel
- Seams continuously welded and ground smooth
- Bonding provision on door
- External mounting brackets
- External-formed flange around all sides of enclosure opening
- Removable door with continuous hinge
- Data pocket is high impact thermoplastic
- Oil-resistant gasket
- Collar studs for mounting optional panels
- Holes in body and door for mounting operating handle, operating mechanism, and door closing mechanism
- Available with or without Hoffman supplied padlocking defeater handle and latching system

Finish

White inside with ANSI 61 gray outside finish.

Accessories

See also *Accessories*.

Blank Adapter Plates, Mild Steel
 Compact Cooling Fans
 PANELITE™ Enclosure Lights Overview
 Panels for Type 3R, 4, 4X, 12 and 13 Enclosures
 POWERGLIDE® Defeater Handle Kit
 Steel and Stainless Steel Window Kits

Ordering

Note: Some flexible cable operating mechanisms may not work in 8-in. deep enclosures due to interference with cable control hardware on inside of flange.

Depending on model, order as follows:

PL models:

- Operating mechanism and disconnect switch or circuit breakers
- Operating handle

All other models:

- Operating mechanism and disconnect switch or circuit breakers
- Operating handle
- POWERGLIDE® Defeater Handle Kit

—or—

- Operating mechanism and disconnect switch or circuit breakers
- Operating handle
- Door hardware

Modification and Customization

Hoffman excels at modifying and customizing products to your specifications. Contact your local Hoffman sales office or distributor for complete information.

Bulletin: A25



Preferred Cutout, Disconnect Enclosure, Type 12

Standard Product

Table with columns: Catalog Number, AxBxC in., AxBxC mm, Footnotes, With or Without Handle, Panel, Conductive Panel, Panel Size D x E (in.), Panel Size D x E (mm), Data Pocket Size D x E (in.), Data Pocket Size D x E (mm). Rows include various model numbers like A20SA2208LP, A20SA2208LPP, etc.

*When using a Siemens ITE circuit breaker and an enclosure with an A dimension of 30-, 36- or 42-in., verify the amount of wire bend space required for both the line and load sides. Enclosures 12- and 16-in. deep can be modified to accept Siemens ITE 800 A and 1200 A circuit breakers. (Consult factory for details.)

†Catalog number A60SA3812A24LP enclosure will receive only 400 A and 600 A Allen-Bradley Bulletin 1494V disconnect switches, and Siemens ITE 800 Amp and 1200 Amp circuit breakers. The 400 Amp and 600 Amp Allen-Bradley disconnect switch will not fit any other size enclosure from the Bulletin A25 family. Blank Adapter Plates will not fit catalog number A60SA3812A24LP.

Purchase panels separately.

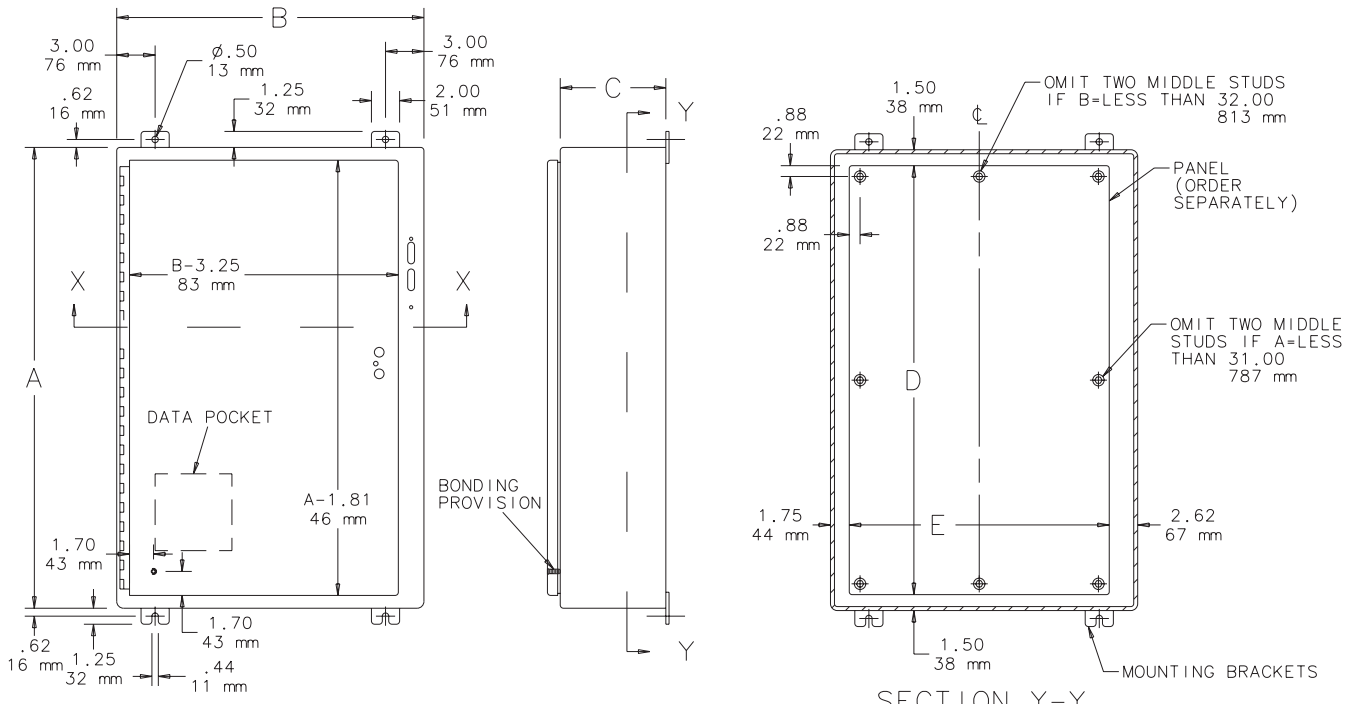
Preferred Cutout, Disconnect Enclosure, Type 12

Table 430.10(B) Minimum Wire Bending Space at the Terminals of Enclosed Motor Controllers

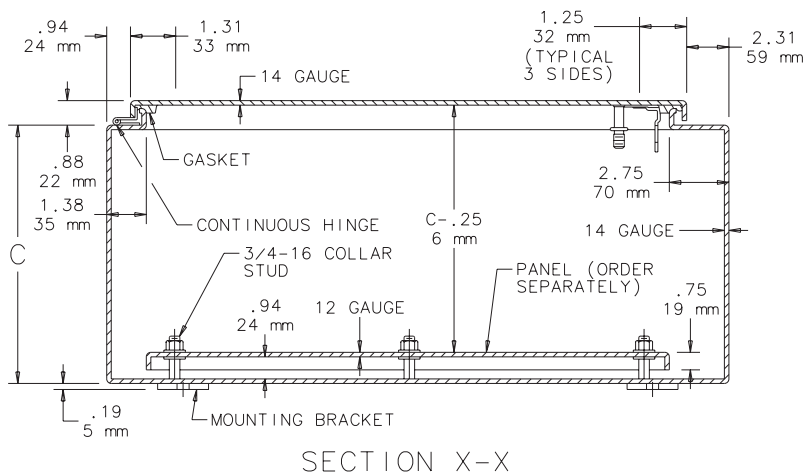
Size of Wire (AWG or kcmil)	Wires per Terminal 1 (mm)	Wires per Terminal 1 (in.)	Wires per Terminal 2 (mm)	Wires per Terminal 2 (in.)
14-10	Not specified	Not specified	—	—
8-6	30	1.5	—	—
4-3	50	2	—	—
2	65	2.5	—	—
1	75	3	—	—
1/0	125	5	125	5
2/0	150	6	150	6
3/0-4/0	175	7	175	7
250	200	8	200	8
300	250	10	250	10
350-500	300	12	300	12
600-700	350	14	400	16
750-900	450	18	475	19

This table is reproduced with permission from NRPA 2005-70, National Electrical Code, copyright 2005, National Fire Protection Association, Quincy, MA 02269. This reprinted material is not the complete and official position of the NFPA on the referenced subject which is represented only by the standard in its entirety.

Where provision for 3 or more wires per terminal exists, the minimum wire bending space shall be in accordance with the requirements of Article 312.



C2512-C


NOTE:

1. Panels have flanges along two sides when the side dimension is more than 21.00 (533mm).
2. Catalog number A60SA3812A24LP has a larger cutout in the enclosure flange to accommodate the Allen-Bradley 1494V-H2 and Siemens ITE FHOHN operating handles.
3. Panels are 12 gauge steel.
4. Enclosure with $A < 40.00$ (1016mm) require 2-point door hardware.

Preferred Cutout, Disconnect Enclosure, Type 12

Disconnect Mounting Space

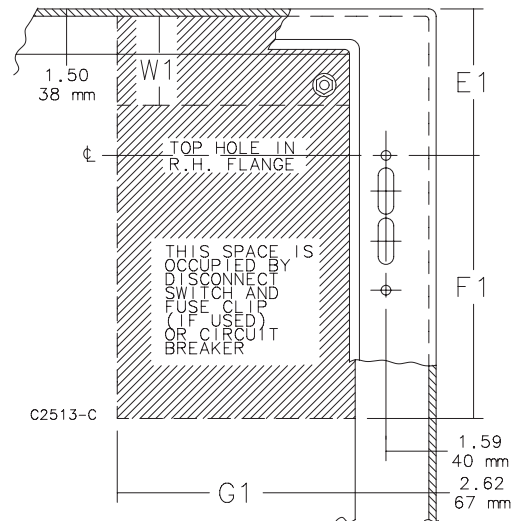
Disconnects will occupy space on panel shown by dimensions E1, F1 and G1 in Disconnect Mounting Space diagram. Wiring space W1 is available when disconnect is installed in the enclosure.

- E1 = 4.75 in. (121 mm) when C = 8.00 in. (203 mm)
- E1 = 7.09 in. (180 mm) when C = 10.00 in. (254 mm)
- E1 = 11.62 in. (294 mm) when C = 12.00 in. (305 mm)
- E1 = 11.62 in. (294 mm) when C = 16.00 in. (406 mm)
- E1 = 18.38 in. (467 mm) for A60SA3812A24LP
- W1 = Wiring Space.

See Technical Information for wire bend space.

Refer to **NATIONAL ELECTRICAL CODE 2005** article 430.10(B) for wiring space required for line side conductors to be connected to disconnect.

Verify your application to determine if wiring space is adequate.



Consult disconnect manufacturer or see Disconnect Ordering Information at hoffmanonline.com under Technical Resources for F1 and G1 dimensions of various brands of disconnects.

POWERGLIDE® Defeater Handle Kit



This clockwise defeater model includes door hardware for Bulletin A25 enclosures.

Bulletin: A80

Catalog Number	Description
AL55CWD	Medium POWERGLIDE Handle - Clockwise opening with defeater and door hardware

CONCEPT® Wall-Mount Disconnect Enclosures

CONCEPT® Disconnect Enclosure, Type 4



Industry Standards

Mounting brackets required to maintain UL/CSA external mounting requirement.

UL 508A Listed; Type 4, 12; File No. E61997
 cUL Listed per CSA C22.2 No. 94; Type 4, 12; File No. E61997

NEMA/EEMAC Type 4, 12, Type 13
 CSA File No. 42186: Type 4, 12
 VDE, IP66
 IEC 60529, IP66

Application

Use CONCEPT® Disconnect Enclosures in applications that require stylized design features and a preferred cutout for the disconnect switch or circuit breaker. Accepts major brand disconnect switches and circuit breakers and is supplied with a Hoffman-integrated tool-to-open handle.

Furnished with Enclosures

1. Door interlock bracket welded to door
2. Door latching system (2-point or 3-point) installed on door
3. Instructions to locate and install disconnect
4. Hardware kit consisting of padlocking door handle, panel mounting nuts, grounding hardware and sealing washers for mounting holes

Specifications

- 16 or 14 gauge steel (see table)
- Seams continuously welded and ground smooth
- External-formed 90-degree body flange
- Bonding provision on door; grounding stud on body
- Holes provided in body for mounting disconnect operating handle and operating mechanism
- Panel mounting studs fit optional CONCEPT panels and other accessories
- Mounting holes in back of body for direct mounting or for optional external mounting brackets
- Hidden hinges for clean, aesthetic appearance
- Removable corner-formed doors
- Provisions on door for optional high-impact thermoplastic data pocket
- Seamless foam-in-place gasket
- Door alignment device on doors wider than 30 in.
- Latching system interlocks with the disconnect handle for added safety
- Unique integrated door handle with tool-to-open feature and padlocking option
- Self-grounding latch system with double seal
- Four hinges on 60-inch-high doors
- Simple easy-to-remove and install hinge pins with built-in captivation clip
- High-torque threadless studs and fasteners on door
- Illustrated instruction sheet included

Finish

Two standard finishes are available:

- ANSI 61 gray polyester powder coating inside and out
- RAL 7035 textured light-gray polyester powder coating inside and out

Accessories

See also *Accessories*.

Blank Adapter Plates, Mild Steel
 Compact Cooling Fans
 PANELITE™ Enclosure Lights Overview
 CONCEPT® Panels
 Mounting-Bracket Kits
 Steel and Stainless Steel Window Kits

Modification and Customization

Hoffman excels at modifying and customizing products to your specifications. Contact your local Hoffman sales office or distributor for complete information.

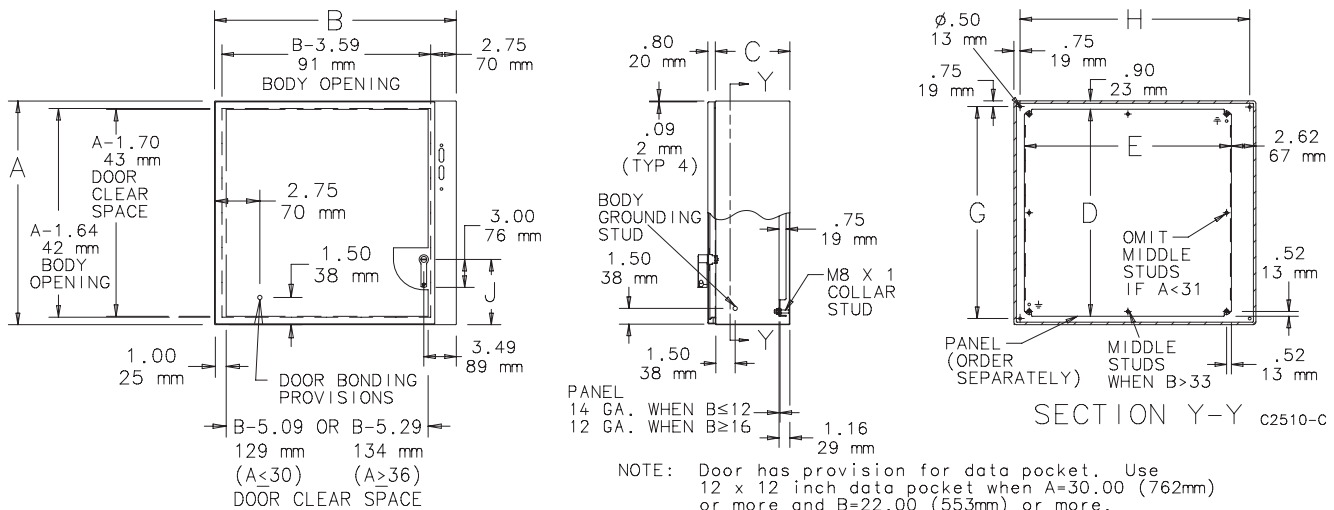
Bulletin: CWD

CONCEPT® Wall-Mount Disconnect Enclosures

Standard Product

Catalog Number	AxBxC in./mm	Finish	Door Gauge	Body Gauge	CONCEPT Panel	Conductive Panel	Panel Size D x E in./mm	Mounting G x H in./mm	Latches Qty.	Latches Style	J in./mm
CDSC20228	20.00 x 22.00 x 8.00 508 x 559 x 203	ANSI 61 Gray	14	16	CP2020	CP2020G	18.20 x 18.20 462 x 462	18.50 x 20.50 470 x 521	1	2-point	5.00 127
CDSC20228LG	20.00 x 22.00 x 8.00 508 x 559 x 203	RAL 7035 Gray	14	16	CP2020	CP2020G	18.20 x 18.20 462 x 462	18.50 x 20.50 470 x 521	1	2-point	5.00 127
CDSC24228	24.00 x 22.00 x 8.00 610 x 559 x 203	ANSI 61 Gray	14	16	CP2420	CP2420G	22.20 x 18.20 564 x 462	22.50 x 20.50 572 x 521	1	2-point	6.00 152
CDSC24228LG	24.00 x 22.00 x 8.00 610 x 559 x 203	RAL 7035 Gray	14	16	CP2420	CP2420G	22.20 x 18.20 564 x 462	22.50 x 20.50 572 x 521	1	2-point	6.00 152
CDSC24268	24.00 x 26.00 x 8.00 610 x 660 x 203	ANSI 61 Gray	14	16	CP2424	CP2424G	22.20 x 22.20 564 x 564	22.50 x 24.50 572 x 622	1	2-point	6.00 152
CDSC24268LG	24.00 x 26.00 x 8.00 610 x 660 x 203	RAL 7035 Gray	14	16	CP2424	CP2424G	22.20 x 22.20 564 x 564	22.50 x 24.50 572 x 622	1	2-point	6.00 152
CDSC30268	30.00 x 26.00 x 8.00 762 x 660 x 203	ANSI 61 Gray	14	16	CP3024	CP3024G	28.20 x 22.20 716 x 564	28.50 x 24.50 724 x 622	1	2-point	6.00 152
CDSC30268LG	30.00 x 26.00 x 8.00 762 x 660 x 203	RAL 7035 Gray	14	16	CP3024	CP3024G	28.20 x 22.20 716 x 564	28.50 x 24.50 724 x 622	1	2-point	6.00 152
CDSC36268	36.00 x 26.00 x 8.00 914 x 660 x 203	ANSI 61 Gray	14	14	CP3624	CP3624G	34.20 x 22.20 869 x 564	34.50 x 24.50 876 x 622	1	2-point	6.00 152
CDSC36268LG	36.00 x 26.00 x 8.00 914 x 660 x 203	RAL 7035 Gray	14	14	CP3624	CP3624G	34.20 x 22.20 869 x 564	34.50 x 24.50 876 x 622	1	2-point	6.00 152
CDSC36328	36.00 x 32.00 x 8.00 914 x 813 x 203	ANSI 61 Gray	14	14	CP3630	CP3630G	34.20 x 28.20 869 x 716	34.50 x 30.50 869 x 775	1	2-point	6.00 152
CDSC36328LG	36.00 x 32.00 x 8.00 914 x 813 x 203	RAL 7035 Gray	14	14	CP3630	CP3630G	34.20 x 28.20 869 x 716	34.50 x 30.50 869 x 775	1	2-point	6.00 152
CDSC423212	42.00 x 32.00 x 12.00 1067 x 813 x 305	ANSI 61 Gray	14	14	CP4230	CP4230G	40.20 x 28.20 1021 x 716	40.50 x 30.50 1029 x 775	1	3-point	21.00 533
CDSC423212LG	42.00 x 32.00 x 12.00 1067 x 813 x 305	RAL 7035 Gray	14	14	CP4230	CP4230G	40.20 x 28.20 1021 x 716	40.50 x 30.50 1029 x 775	1	3-point	21.00 533
CDSC423812	42.00 x 38.00 x 12.00 1067 x 965 x 305	ANSI 61 Gray	14	14	CP4236	CP4236G	40.20 x 34.20 1021 x 869	40.50 x 36.50 1029 x 927	1	3-point	21.00 533
CDSC423812LG	42.00 x 38.00 x 12.00 1067 x 965 x 305	RAL 7035 Gray	14	14	CP4236	CP4236G	40.20 x 34.20 1021 x 869	40.50 x 36.50 1029 x 927	1	3-point	21.00 533
CDSC483812	48.00 x 38.00 x 12.00 1219 x 965 x 305	ANSI 61 Gray	14	14	CP4836	CP4836G	46.20 x 34.20 1173 x 869	46.50 x 36.50 1181 x 927	1	3-point	24.00 610
CDSC483812LG	48.00 x 38.00 x 12.00 1219 x 965 x 305	RAL 7035 Gray	14	14	CP4836	CP4836G	46.20 x 34.20 1173 x 869	46.50 x 36.50 1181 x 927	1	3-point	24.00 610
CDSC603812	60.00 x 38.00 x 12.00 1524 x 965 x 305	ANSI 61 Gray	14	14	CP6036	CP6036G	58.20 x 34.20 1478 x 869	58.50 x 36.50 1486 x 927	1	3-point	30.00 762
CDSC603812LG	60.00 x 38.00 x 12.00 1524 x 965 x 305	RAL 7035 Gray	14	14	CP6036	CP6036G	58.20 x 34.20 1478 x 869	58.50 x 36.50 1486 x 927	1	3-point	30.00 762

Purchase panels separately.



CONCEPT® Wall-Mount Disconnect Enclosures

CONCEPT® Disconnect Enclosure, Type 4X



Industry Standards

Mounting brackets required to meet UL/cUL external mounting requirement.

UL 508A Listed; Type 3R, 4, 4X, 12; File No. E61997
 cUL Listed per CSA C22.2 No. 94; Type 3R, 4, 4X, 12; File No. E61997

NEMA/EEMAC Type 3R, 4, 4X, 12, 13
 IEC 60529, IP66

Meets NEMA Type 3RX requirements

Application

Use CONCEPT® Disconnect Enclosures in applications that require stylized design features and a preferred cutout that accepts major brand disconnect switches and circuit breakers.

Furnished with Enclosures

1. Door interlock bracket welded to door
2. Door latching system (2-point or 3-point) installed on door
3. Instructions to locate and install disconnect
4. Hardware kit consisting of padlocking door handle, panel mounting nuts, grounding hardware and sealing washers for mounting holes

Specifications

- 14 and 16 gauge Type 304 or 316L stainless steel
- Seams continuously welded and ground smooth
- External-formed 90-degree body flange
- Integral door ramp to properly align door and gasket to body flange
- Holes provided in right-hand flange are for mounting disconnect operating handle and operating mechanism
- Panel mounting studs fit optional CONCEPT panels and other accessories (purchase panels separately)
- Mounting holes in back of body for direct mounting or for optional external mounting brackets
- Stainless steel hidden hinges
- Standard full-access door opening
- Corner formed doors are interchangeable and easily removable by pulling captive hinge pins
- Provisions on door for optional high-impact thermoplastic data pocket
- Seamless foam-in-place gasket
- Door latching system (2- or 3-point) installed on door interlocks with disconnect handle for added safety
- Interlock bracket welded to door
- Unique integrated door handle with tool-to-open feature and padlock option installed on door
- Self-grounding latch system with double seal
- Bonding provision on door; grounding stud on body
- Includes hardware kit (consisting of padlocking door handle, panel mounting nuts, grounding hardware and sealing washers for mounting holes) and instructions for installing disconnects

Finish

Sides, top bottom and door have smooth #4 brushed finish. Handle is die-cast with black textured polyester powder paint.

Accessories

See also Accessories.

Blank Adapter Plates, Stainless Steel
 Compact Cooling Fans
 Mounting-Bracket Kits
 PANELITE™ Enclosure Lights Overview
 CONCEPT® Panels
 Steel and Stainless Steel Window Kits

Modification and Customization

Hoffman excels at modifying and customizing products to your specifications. Contact your local Hoffman sales office or distributor for complete information.

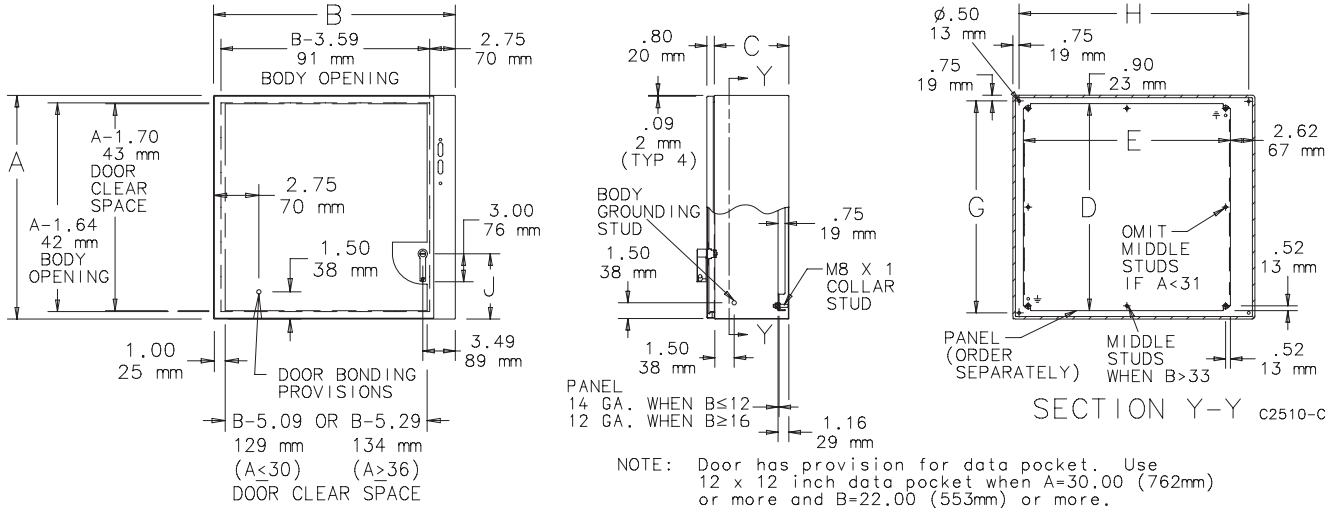
Bulletin: CWSD

CONCEPT® Wall-Mount Disconnect Enclosures
Standard Product

Catalog Number	AxBxC in./mm	Stainless Steel		Body Gauge	CONCEPT Panel	Conductive Panel	Panel Size		Mounting		Latches Style	J in./mm
		Type	Door Gauge				D x E in./mm	G x H in./mm				
CDSC20228SS	20.00 x 22.00 x 8.00	304	14	16	CP2020	CP2020G	18.20 x 18.20	18.50 x 20.50	1 - 2 point	5.00	127	
	508 x 559 x 203						462 x 462	470 x 521				
CDSC24228SS	24.00 x 22.00 x 8.00	304	14	16	CP2420	CP2420G	22.20 x 18.20	22.50 x 20.50	1 - 2 point	6.00	152	
	610 x 559 x 203						564 x 462	572 x 521				
CDSC24268SS	24.00 x 26.00 x 8.00	304	14	16	CP2424	CP2424G	22.20 x 22.20	22.50 x 24.50	1 - 2 point	6.00	152	
	610 x 660 x 203						564 x 564	572 x 622				
CDSC30268SS	30.00 x 26.00 x 8.00	304	14	16	CP3024	CP3024G	28.20 x 24.50	28.50 x 24.50	1 - 2 point	6.00	152	
	762 x 660 x 203						716 x 564	724 x 622				
CDSC36268SS	36.00 x 26.00 x 8.00	304	14	16	CP3624	CP3624G	32.20 x 22.20	34.50 x 24.50	1 - 2 point	6.00	152	
	914 x 660 x 203						869 x 564	876 x 622				

Enclosure doors have 2 quarter-turn latches and a handle with 2- or 3-point latch.

Purchase panels separately. Optional plated CONCEPT panels available. Optional NEMA style and stainless steel panels require conversion kit catalog number CCPM4.





Disconnect: Wall-Mount Preferred-Cutout Disconnect Enclosures
CONCEPT® Wall-Mount Disconnect Enclosures

Notes

CONCEPT® Wall-Mount Disconnect Enclosures
CONCEPT® with Quarter-Turn Latches Disconnect Enclosure, Type 4X

Specifications

- 14 gauge Type 304 stainless steel
- Seams continuously welded and ground smooth
- External-formed 90-degree body flange
- Integral door alignment device to properly align door and gasket to body flange
- Holes provided in body for mounting disconnect operating handle and operating mechanism
- Panel mounting studs fit optional CONCEPT panels and other accessories (purchase panels separately)
- Mounting holes in back of body for direct mounting or for optional external mounting brackets
- Stainless steel hidden hinges
- Standard full-access door opening
- Corner-formed doors are interchangeable and easily removable by pulling captive hinge pins
- Provisions on door for optional high-impact thermoplastic data pocket
- Seamless foam-in-place gasket
- Door latching system (2- or 3-point) installed on door and interlocks with the disconnect handle for added safety
- Interlock bracket welded to door
- Unique integrated door handle with tool-to-open feature and padlock option installed on door
- Self-grounding latch system with double seal
- Bonding provision on door; grounding stud on body
- Includes hardware kit (consisting of padlocking door handle, panel mounting nuts, grounding hardware and sealing washers for mounting holes) and instructions for installing disconnects

Industry Standards

Mounting brackets required to meet UL/cUL external mounting requirement.

UL 508A Listed; Type 3R, 4, 4X, 12; File No. E61997
 cUL Listed per CSA C22.2 No. 94; Type 3R, 4, 4X, 12; File No. E61997

NEMA/EEMAC Type 3R, 4, 4X, 12, 13
 IEC 60529, IP66
 Meets NEMA Type 3RX requirements

Application

For use in disconnect applications that require larger controls and stylized design features, CONCEPT® Disconnect Enclosures feature two additional quarter-turn latches and a door-alignment device for secure closure and security.

Furnished with Enclosures

1. Door interlock bracket welded to door
2. Door latching system (2-point or 3-point) installed on door
3. Instructions to locate and install disconnect
4. Hardware kit consisting of padlocking door handle, panel mounting nuts, grounding hardware, and sealing washers for mounting holes

Finish

Sides and body have smooth #4 brushed finish. Optional mild steel panels are painted white. Handle is die-cast with black textured polyester powder paint.

Accessories

See also Accessories.
 Blank Adapter Plates, Stainless Steel
 Compact Cooling Fans
 Mounting-Bracket Kits
 PANELITE™ Enclosure Lights Overview
 CONCEPT® Panels
 Steel and Stainless Steel Window Kits

Modification and Customization

Hoffman excels at modifying and customizing products to your specifications. Contact your local Hoffman sales office or distributor for complete information.

Bulletin: CWSD

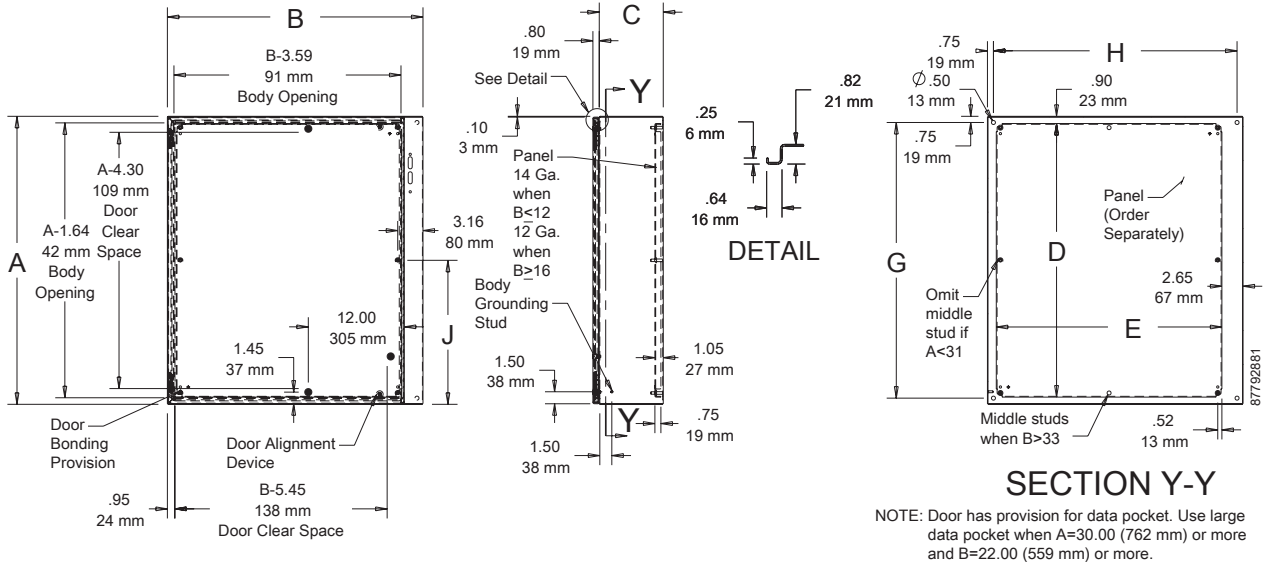
CONCEPT® Wall-Mount Disconnect Enclosures

Standard Product

Catalog Number	AxBxC in.	AxBxC mm	Stainless Steel		Door Gauge	Body Gauge	CONCEPT Panel	Conductive Panel	Panel Size D x E (in.)	Panel Size D x E (mm)	Mounting G x H (in.)	Mounting G x H (mm)	Latches	
			Type	Style									J (in.)	J (mm)
CDS363285SR	36.00 x 32.00 x 8.00	914 x 813 x 203	304	14	14	CP3630	CP3630G	34.20 x 28.20	869 x 716	34.50 x 30.50	869 x 775	1-2-point	6.00	152
CDS4232125SR	42.00 x 32.00 x 12.00	1067 x 813 x 305	304	14	14	CP4230	CP4230G	40.20 x 28.20	1021 x 716	40.50 x 30.50	1029 x 775	1-3-point	21.00	533
CDS4238125SR	42.00 x 38.00 x 12.00	1067 x 965 x 305	304	14	14	CP4236	CP4236G	40.20 x 34.20	1021 x 869	40.50 x 36.50	1029 x 927	1-3-point	21.00	533
CDS4838125SR	48.00 x 38.00 x 12.00	1219 x 965 x 305	304	14	14	CP4836	CP4836G	46.20 x 34.20	1173 x 869	46.50 x 36.50	1181 x 927	1-3-point	24.00	610
CDS6038125SR	60.00 x 38.00 x 12.00	1524 x 965 x 305	304	14	14	CP6036	CP6036G	58.20 x 34.20	1478 x 869	58.50 x 36.50	1486 x 927	1-3-point	30.00	762

Enclosure doors have 2 quarter-turn latches and a handle with 2- or 3-point latch.

Purchase panels separately. Optional plated CONCEPT panels available. Optional NEMA style and stainless steel panels require conversion kit catalog number CCPM4.



Disconnect Mounting Space

Disconnects will occupy space on panel shown by dimensions E1, F1 and G1. Wiring space W1 is available when disconnect is installed in the enclosure.

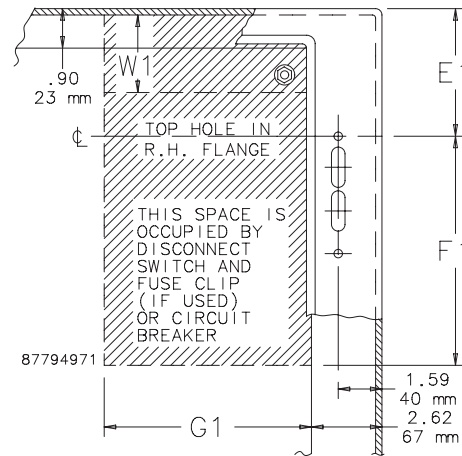
- E1 = 4.75 in. (121 mm) when C = 8.00 in. (203 mm)
- E1 = 11.62 in. (294 mm) when C = 12.00 in. (305 mm)
- W1 = Wiring Space.

See *Technical Information for wire bend space.*

Refer to **NATIONAL ELECTRICAL CODE, 2005** article 430-10(b) for wiring space required for line side conductors to be connected to disconnect.

Verify your application to determine whether wiring space is adequate.

Consult Space Occupied by Disconnect drawing to determine whether the disconnect device you are using will fit the enclosure size you have selected.



Consult disconnect manufacturer or see Disconnect Ordering Information at hoffmanonline.com under Technical Resources for F1 and G1 dimensions of various brands of disconnects.

Type 4 and 12 Wall-Mount Disconnect Enclosures

Disconnect Enclosure with Clamps, Type 4



Industry Standards

UL 508A Listed; Type 4, 12; File No. E61997
 cUL Listed per CSA C22.2 No. 94; Type 4, 12; File No. E61997

NEMA/EEMAC Type 3, 4, 12, 13
 CSA File No. 42186: Type 4, 12
 IEC 60529, IP66

Application

For disconnect applications in which a clamp-secured door is preferred. Clamps on three sides of the door keep liquid and contaminants out. Preferred cutout accepts major brand disconnect switches and circuit breakers.

Standard Product

Catalog Number	AxBxC in./mm	Panel	Conductive Panel	Panel Size D x E in./mm	Data Pocket Size in./mm	Number of Clamps
A24HS2108LP	24.00 x 21.38 x 8.00 610 x 543 x 203	A24P20	A24P20G	21.00 x 17.00 533 x 432	6.00 x 6.00 152 x 152	5
A24HS2508LP	24.00 x 25.38 x 8.00 610 x 645 x 203	A24P24	A24P24G	21.00 x 21.00 533 x 533	6.00 x 6.00 152 x 152	5
A30HS2508LP	30.00 x 25.38 x 8.00 762 x 645 x 203	A30P24	A30P24G	27.00 x 21.00 686 x 533	12.00 x 12.00 305 x 305	5
A36HS2508LP	36.00 x 25.38 x 8.00 914 x 645 x 203	A36P24	A36P24G	33.00 x 21.00 838 x 533	12.00 x 12.00 305 x 305	5
A36HS3108LP	36.00 x 31.38 x 8.00 914 x 797 x 203	A36P30	A36P30G	33.00 x 27.00 838 x 686	12.00 x 12.00 305 x 305	7
A42HS3112LP	42.00 x 31.38 x 12.00 1067 x 797 x 305	A42P30	A42P30G	39.00 x 27.00 991 x 686	6.00 x 6.00 152 x 152	10
A42HS3712LP	42.00 x 37.38 x 12.00 1067 x 949 x 305	A42P36	A42P36G	39.00 x 33.00 991 x 838	12.00 x 12.00 305 x 305	10
A48HS3712LP	48.00 x 37.38 x 12.00 1219 x 949 x 305	A48P36	A48P36G	45.00 x 33.00 1143 x 838	12.00 x 12.00 305 x 305	10
A60HS3712LP	60.00 x 37.38 x 12.00 1524 x 949 x 305	A60P36	A60P36G	57.00 x 33.00 1448 x 838	12.00 x 12.00 305 x 305	11

Purchase panels separately.

Furnished with Enclosures

1. Bracket welded to door for attaching disconnect door catch (interlock)
2. Instructions to locate and install disconnect switches, circuit breakers and operating mechanisms

Specifications

- 14 gauge steel
- Seams continuously welded and ground smooth
- External mounting brackets
- External-formed flange around all sides of enclosure opening
- Stainless steel door clamps on three sides of door
- Removable door with continuous hinge
- Data pocket is high impact thermoplastic
- Type 4 rated door gasket
- Collar studs for mounting optional panels
- Holes in body for mounting disconnect operating handle and operating mechanism
- Bonding provision on door
- Bracket welded to door for attaching disconnect door catch (interlock) and instructions for installing disconnects

Finish

ANSI 61 gray polyester powder coating inside and out.

Accessories

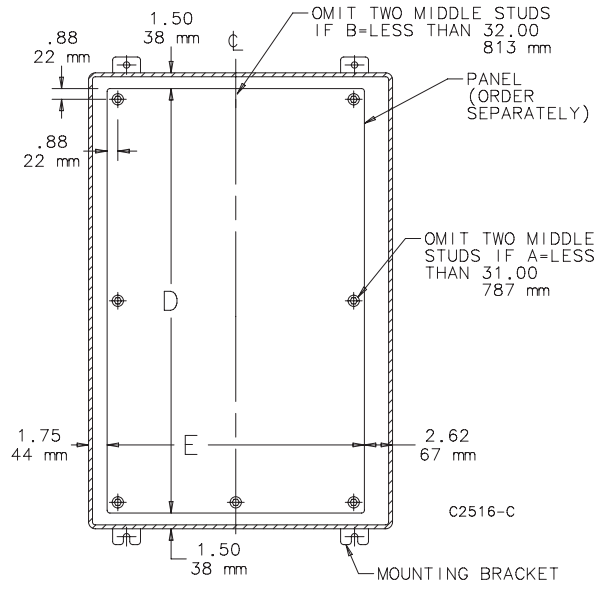
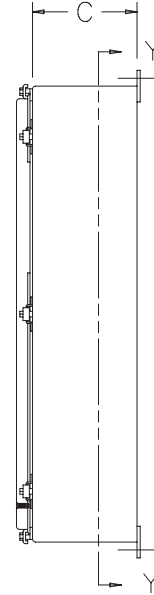
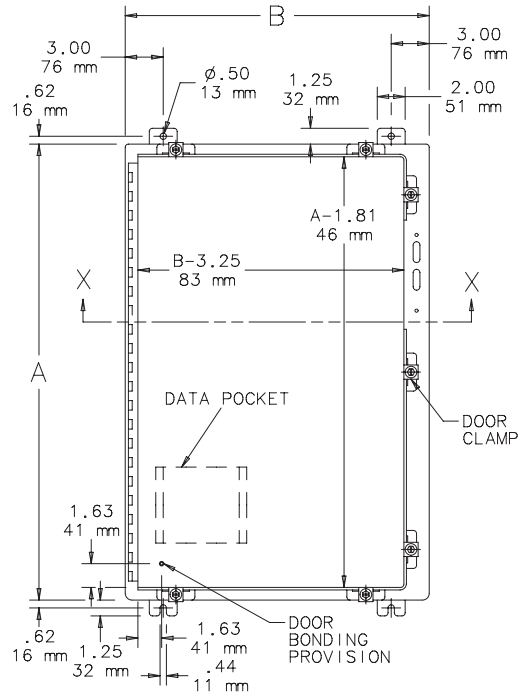
See also *Accessories*.
 Blank Adapter Plates, Mild Steel
 Industrial Corrosion Inhibitors
 Electric Heater
 PANELITE™ Enclosure Lights Overview
 Panels for Type 3R, 4, 4X, 12 and 13 Enclosures

Modification and Customization

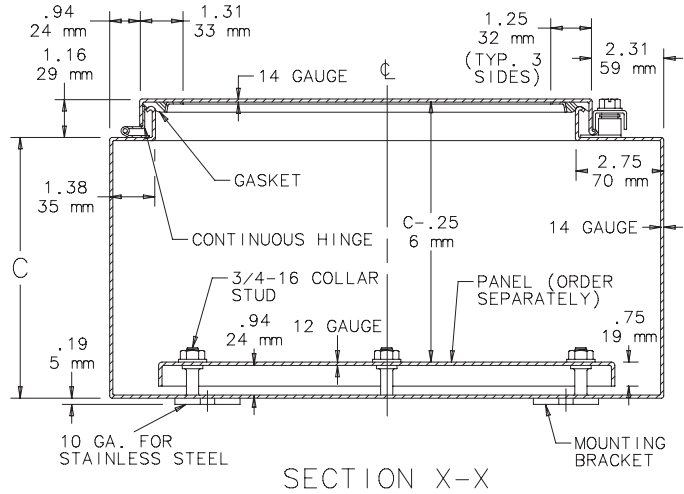
Hoffman excels at modifying and customizing products to your specifications. Contact your local Hoffman sales office or distributor for complete information.

Bulletin: A19

Type 4 and 12 Wall-Mount Disconnect Enclosures



NOTE: 1. 12 gauge panels have flanges along two sides when the side dimension is more than 21.00 inches (533mm). Panels A24P20 and A24P24 have flanges on four sides.



Type 4 and 12 Wall-Mount Disconnect Enclosures

Disconnect Enclosure with Clamps, Type 4X



Industry Standards

UL 508A Listed; Type 3R, 4, 4X, 12; File No. E61997
 cUL Listed per CSA C22.2 No. 94; Type 3R, 4, 4X, 12; File No. E61997

NEMA/EEMAC Type 3, 3R, 4, 4X, 12, 13
 CSA File No. 42186: Type 4, 4X, 12
 IEC 60529, IP66
 Meets NEMA Type 3RX requirements

Application

For disconnect applications in which a clamp-secured door is preferred, this enclosure features clamps on three sides to keep liquids and contaminants from entering and a preferred cutout that accepts major brand disconnect switches and circuit breakers.

Furnished with Enclosure

1. Bracket welded to door for attaching disconnect door catch (interlock)
2. Instructions to locate and install disconnect switches, circuit breakers and operating mechanisms

Specifications

- 14 gauge Type 304 or Type 316L stainless steel
- Seams continuously welded and ground smooth
- External mounting brackets
- External-formed flange around all sides of enclosure opening
- Stainless steel door clamps on three sides of door
- Door removed by pulling stainless steel continuous hinge pin
- Data pocket is high-impact thermoplastic
- Seamless foam-in-place gasket
- Collar studs provided for mounting optional panels
- Holes provided in body for mounting disconnect operating handle and operating mechanism
- Bonding provision on door; ground stud on body
- All exterior hardware on Type 316L enclosures matches the enclosure material
- Bracket welded to door to attach disconnect door catch (interlock)
- Includes instructions for installing disconnect switches, circuit breakers and operating mechanisms

Finish

Sides and body have smooth #4 brushed finish.

Accessories

See also *Accessories*.
 Blank Adapter Plates, Stainless Steel
 Industrial Corrosion Inhibitors
 Electric Heater
 PANELITE™ Enclosure Lights Overview
 Panels for Type 3R, 4, 4X, 12 and 13 Enclosures
 Terminal Block Kit Assembly for Type 4, 12 and 13 Enclosures
 Steel and Stainless Steel Window Kits

Modification and Customization

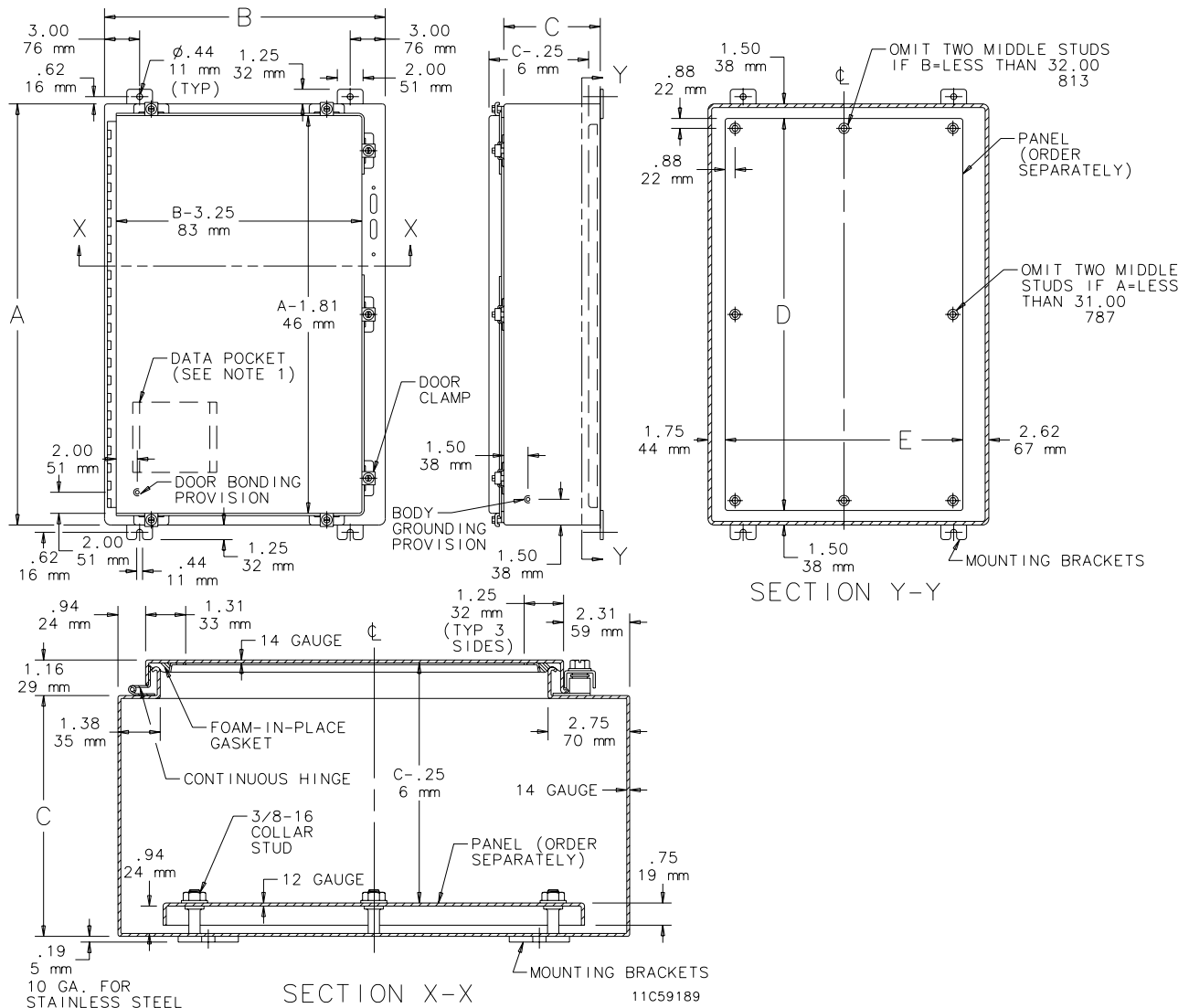
Hoffman excels at modifying and customizing products to your specifications. Contact your local Hoffman sales office or distributor for complete information.

Bulletin: A19S

Standard Product

Catalog Number	AxBxCin.	AxBxCmm	Stainless Steel		Conductive Panel	Panel Size D x E (in.)	Panel Size D x E (mm)	Data Pocket Size (in.)	Data Pocket Size (mm)	Number of Clamps
			Type	Panel						
A24HS2108SSLP	24.00 x 21.38 x 8.00	610 x 543 x 203	304	A24P20	A24P20G	21.00 x 17.00	533 x 432	6.00 x 6.00	152 x 152	5
A24HS2108SS6LP	24.00 x 21.38 x 8.00	610 x 543 x 203	316L	A24P20	A24P20G	21.00 x 17.00	533 x 432	6.00 x 6.00	152 x 152	5
A24HS2508SSLP	24.00 x 25.38 x 8.00	610 x 645 x 203	304	A24P24	A24P24G	21.00 x 21.00	533 x 533	6.00 x 6.00	152 x 152	5
A24HS2508SS6LP	24.00 x 25.38 x 8.00	610 x 645 x 203	316L	A24P24	A24P24G	21.00 x 21.00	533 x 533	6.00 x 6.00	152 x 152	5
A30HS2508SSLP	30.00 x 25.38 x 8.00	762 x 645 x 203	304	A30P24	A30P24G	27.00 x 21.00	686 x 533	12.00 x 12.00	305 x 305	5
A30HS2508SS6LP	30.00 x 25.38 x 8.00	762 x 645 x 203	316L	A30P24	A30P24G	27.00 x 21.00	686 x 533	12.00 x 12.00	305 x 305	5
A36HS2508SSLP	36.00 x 25.38 x 8.00	914 x 645 x 203	304	A36P24	A36P24G	33.00 x 21.00	838 x 533	12.00 x 12.00	305 x 305	5
A36HS2508SS6LP	36.00 x 25.38 x 8.00	914 x 645 x 203	316L	A36P24	A36P24G	33.00 x 21.00	838 x 533	12.00 x 12.00	305 x 305	5
A36HS3108SSLP	36.00 x 31.38 x 8.00	914 x 797 x 203	304	A36P30	A36P30G	33.00 x 27.00	838 x 686	12.00 x 12.00	305 x 305	7
A36HS3108SS6LP	36.00 x 31.38 x 8.00	914 x 797 x 203	316L	A36P30	A36P30G	33.00 x 27.00	838 x 686	12.00 x 12.00	305 x 305	7
A42HS3112SSLP	42.00 x 31.38 x 12.00	1067 x 797 x 305	304	A42P30	A42P30G	39.00 x 27.00	991 x 686	12.00 x 12.00	305 x 305	10
A42HS3112SS6LP	42.00 x 31.38 x 12.00	1067 x 797 x 305	316L	A42P30	A42P30G	39.00 x 27.00	991 x 686	12.00 x 12.00	305 x 305	10
A42HS3712SSLP	42.00 x 37.38 x 12.00	1067 x 949 x 305	304	A42P36	A42P36G	39.00 x 33.00	991 x 838	12.00 x 12.00	305 x 305	10
A42HS3712SS6LP	42.00 x 37.38 x 12.00	1067 x 949 x 305	316L	A42P36	A42P36G	39.00 x 33.00	991 x 838	12.00 x 12.00	305 x 305	10
A48HS3712SSLP	48.00 x 37.38 x 12.00	1219 x 949 x 305	304	A48P36	A48P36G	45.00 x 33.00	1143 x 838	12.00 x 12.00	305 x 305	10
A48HS3712SS6LP	48.00 x 37.38 x 12.00	1219 x 949 x 305	316L	A48P36	A48P36G	45.00 x 33.00	1143 x 838	12.00 x 12.00	305 x 305	10
A60HS3712SSLP	60.00 x 37.38 x 12.00	1524 x 949 x 305	304	A60P36	A60P36G	57.00 x 33.00	1448 x 838	12.00 x 12.00	305 x 305	11
A60HS3712SS6LP	60.00 x 37.38 x 12.00	1524 x 949 x 305	316L	A60P36	A60P36G	57.00 x 33.00	1448 x 838	12.00 x 12.00	305 x 305	11

Purchase panels separately. Optional stainless steel, composite or aluminum panels are available for most sizes

Type 4 and 12 Wall-Mount Disconnect Enclosures

Disconnect Mounting Space

Disconnects will occupy space on panel shown by dimensions E1, F1, and G1. Wiring space W1 is available when disconnect is installed in the enclosure.

E1 = 8.62 in. (219 mm) when C = 8.00 in. (203 mm)

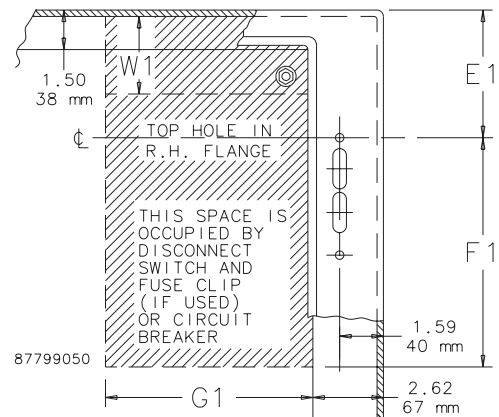
E1 = 11.62 in. (294 mm) when C = 12.00 in. (305 mm)

W1 = Wiring Space

Refer to **NATIONAL ELECTRICAL CODE, 2005** article 430-10(b) for wiring space required for line side conductors to be connected to disconnect.

Verify your application to determine whether wiring space is adequate.

Consult Space Occupied by Disconnect drawing to determine whether the disconnect device you are using will fit the enclosure size you have selected.



Consult disconnect manufacturer or see Disconnect Ordering Information at hoffmanonline.com under Technical Resources for F1 and G1 dimensions of various brands of disconnects.

Fiberglass Disconnect, Type 4X



Industry Standards

UL 508A Listed; Type 3, 3R, 4, 4X, 12, 13; File No. E61997
cUL Listed per CSA C22.2 No. 94; Type 3, 3R, 4, 4X, 12, 13; File No. E61997
Enclosure flammability evaluated per UL 508A

NEMA/EEMAC Type 3, 3R, 4, 4X, 12, 13
IEC 60529, IP66
Meets NEMA Type 3RX requirements

Application

For effective and economical disconnect protection in the harshest corrosive environments, these enclosures provide secure door closure through the use of Type 304 stainless steel slotted quarter-turn latches.

Specifications

- Fiberglass-reinforced material has excellent temperature and chemical resistance qualities and exhibits outstanding physical properties
- Seams are sealed; no holes or knockouts
- Seamless foam-in-place gasket assures water-tight and dust-tight seal
- Fiberglass material is easily drilled, filed or sawed
- Hinges are fiberglass-reinforced polyester
- Doors are secured with Type 304 stainless steel slotted quarter-turn latches
- Data pocket is high-impact thermoplastic
- Copper flashed steel collar studs for mounting optional panels and terminal block kits
- Holes provided in body for mounting disconnect operating handle and operating mechanism
- Internal grounding provisions for quarter-turn latches
- Includes bracket affixed to door for attaching disconnect door catch (interlock) and instructions for installing disconnects

Finish

Fiberglass material is light-gray inside and out. Optional steel panels are painted white. Optional stainless steel, aluminum, conductive and composite panels are unpainted.

Accessories

See also *Accessories*.
Frameless Window Kit
Panels for Type 3R, 4, 4X, 12 and 13 Enclosures
Steel and Stainless Steel Window Kits
Terminal Block Kit Assembly for Type 4, 12 and 13 Enclosures

Modification and Customization

Hoffman excels at modifying and customizing products to your specifications. Contact your local Hoffman sales office or distributor for complete information.

Bulletin: A17WD

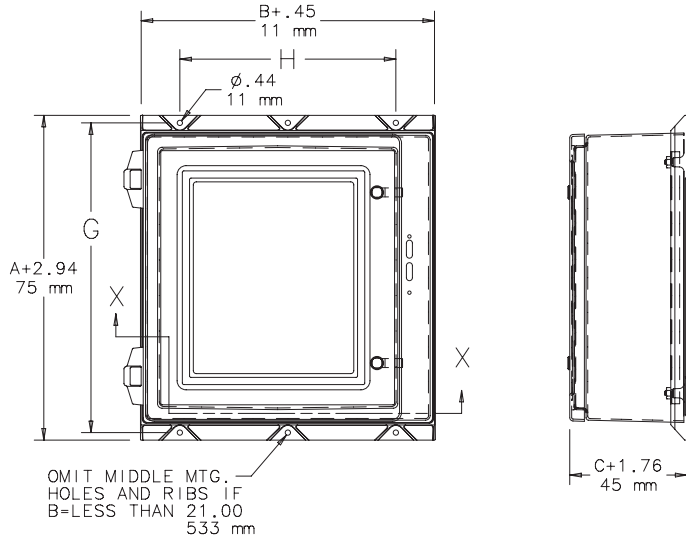
Standard Product

Catalog Number	AxBxC in./mm	Panel	Conductive Panel	Panel Size in./mm	Mounting G x H in./mm	Number of Latches
A20HS1610GQRLP	20.19 x 16.25 x 10.00	A20P16	A20P16G	17.00 x 13.00	21.81 x 10.00	2
	513 x 413 x 254			432 x 330	554 x 254	
A24HS2008GQRLP	24.25 x 20.25 x 8.00	A24P20	A24P20G	21.00 x 17.00	25.86 x 14.00	2
	616 x 514 x 203			533 x 432	657 x 356	
A24HS2408GQRLP	24.19 x 24.19 x 8.00	A24P24	A24P24G	21.00 x 21.00	25.81 x 18.00	2
	614 x 614 x 203			533 x 533	656 x 457	
A24HS2412GQRLP	24.19 x 24.19 x 12.00	A24P24	A24P24G	21.00 x 21.00	25.81 x 18.00	2
	614 x 614 x 305			533 x 533	656 x 457	
A30HS2412GQRLP	30.25 x 24.25 x 12.00	A30P24	A30P24G	27.00 x 21.00	31.95 x 18.00	2
	768 x 616 x 305			686 x 533	812 x 457	
A36HS3012GQRLP	36.25 x 30.25 x 12.00	A36P30	A36P30G	33.00 x 27.00	37.58 x 24.00	4
	921 x 768 x 305			838 x 686	955 x 610	
A48HS3612GQRLP	48.25 x 36.25 x 12.00	A48P36	A48P36G	45.00 x 33.00	49.58 x 30.00	5
	1226 x 921 x 305			1143 x 838	1259 x 762	
A60HS3612GQRLP	60.25 x 36.25 x 12.00	A60P36	A60P36G	57.00 x 33.00	61.58 x 30.00	5
	1530 x 921 x 305			1448 x 838	1564 x 762	

Purchase panels separately. Optional stainless steel, composite and aluminum panels available for most sizes. See General Accessories.

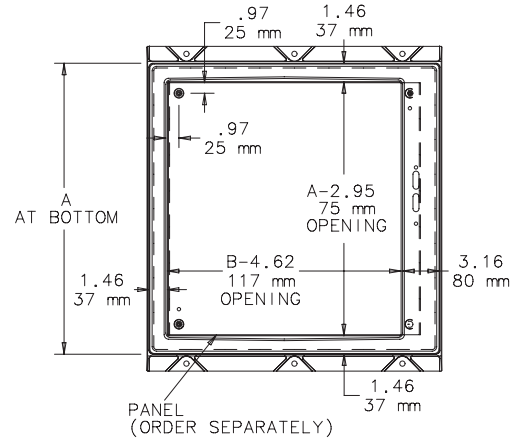
No additional "C" dimensions available.

Fiberglass Disconnect, Type 4X, 30 x 24 or Smaller Drawing

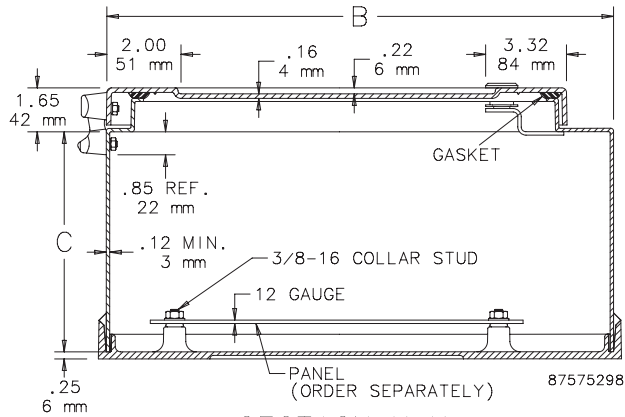


FRONT VIEW WITH DOOR

SIDE VIEW

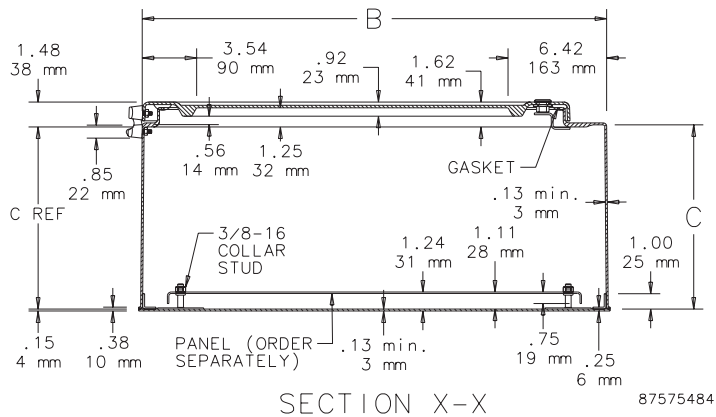
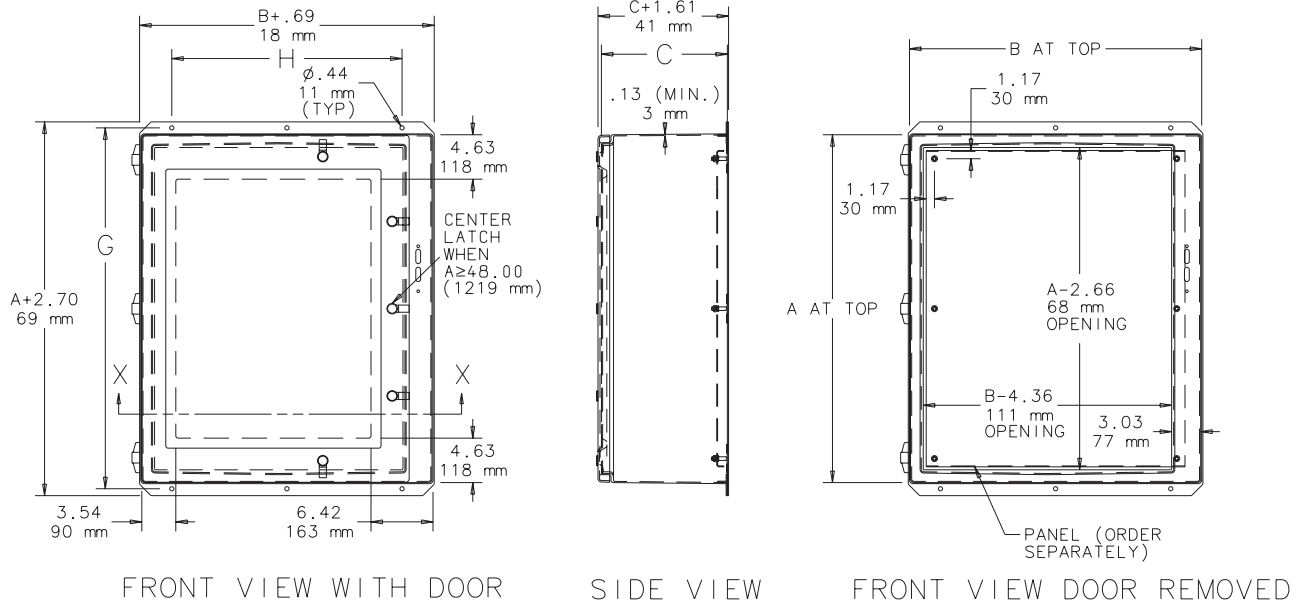


FRONT VIEW DOOR REMOVED



SECTION X-X

Fiberglass Disconnect, Type 4X, 36 x 30 or Larger Drawing



NOTE:

1. Large data pocket provision when $A = 30.00$ (762mm) or more. Data pocket is furnished but not installed. Large data pocket is 12.00 x 12.00 (305mm x 305mm); small data pocket is 6.00 x 6.00 (152mm x 152mm).
2. Internal grounding provisions on the latch side(s) of the internal body Flange.

87575484

Disconnect Mounting Space

Disconnects will occupy space on panel shown in Disconnect Mounting Space Diagram. Wiring space W1 is available when disconnect is installed in the enclosure.

E1 = 8.62 in. (219 mm) when A < 30.00 in. (768 mm) and C = 8.00 in. (203 mm), 10.00 in. (254 mm) or 12.00 in. (305 mm)

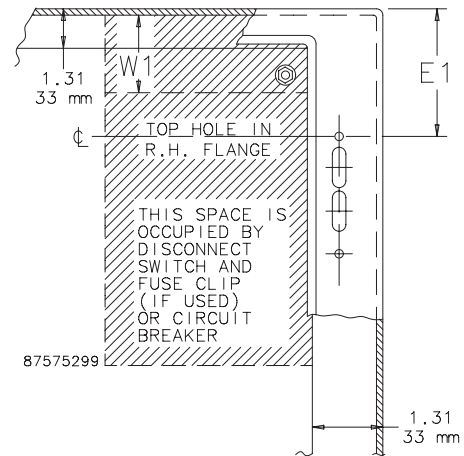
E1 = 11.62 in. (295 mm) when A > 30.00 in. (768 mm) and C = 12.00 in. (305 mm)

W1 = Wiring Space.

See *Technical Information for wire bend space.*

Refer to *National Electrical Code*® 2005 article 430-10(b) for wiring space required for line side conductors to be connected to disconnect.

Verify your application to determine whether wiring space is adequate.



Consult disconnect manufacturer or see Disconnect Ordering Information at hoffmanonline.com under Technical Resources for F1 and G1 dimensions of various brands of disconnects.

Low-Profile Type 12 Disconnect Enclosures and Accessories

Low-Profile, One- to Five-Door Disconnect Enclosure, Type 12



Specifications

- 14, 12 or 10 gauge steel
- Seams continuously welded and ground smooth
- Body stiffeners in larger enclosures for extra rigidity
- Body flange trough excludes liquids and contaminants
- Heavy duty lifting eyes anchor into reinforced top on larger models
- Removable centerposts for easy panel installation
- Heavy gauge continuous hinges
- Heavy duty latch mechanism operated by zinc die-cast padlocking defeater handle on all doors. 2-point latch on enclosures up to 36 in. (914 mm); 3-point latch on enclosures 42 in. (1067 mm) and above.
- Oil-resistant gasket
- Removable 10 gauge steel panels mount on collar studs. Purchase panels separately.
- Master door is far right-hand door on all enclosures
- Defeater on master door requires a screwdriver to open
- Mechanical interlock activated by master door prevents slave doors from being opened first. Doors can be closed in any order.
- Preferred cutout on right flange provides mounting for most disconnect switches and circuit breakers
- Enclosures with three to five doors have three stiffeners on rear of body

Industry Standards

UL 508A Listed; Type 12; File No. E61997
cUL Listed per CSA C22.2 No. 94; Type 12; File No. E61997

NEMA/EEMAC Type 12
IEC 60529, IP55

Application

Available in one- to four-door wall-mount and one- to five-door free-stand models, the larger wall-mount sizes accommodate more components and are ideal for applications with limited floor space. Free-stand enclosures are 48- and 60-in. high to provide a clear line of site above the enclosure.

Finish

ANSI 61 gray inside and outside over pretreated surfaces. Optional panels have white or conductive finish.

Accessories

See also *Accessories*.

Electric Heater

INTERSAFE® Data Interface Ports, Type 4/4X/12

PANELITE™ Enclosure Lights Overview

Panels for A26 Low-Profile Type 12 Disconnect Enclosures

Steel and Stainless Steel Window Kits

Modification and Customization

Hoffman excels at modifying and customizing products to your specifications. Contact your local Hoffman sales office or distributor for complete information.

Bulletin: A26M1, A26M2, A26MM

Standard Product Low Profile Type 12 One-Door Disconnect Enclosures

Catalog Number	AxBxCin.	AxBxCmm	Description	Body Gauge	Panel	Conductive Panel	Panel Qty.	Lifting Eyes
A30X1E2808	30.00 x 28.25 x 8.00	762 x 718 x 203	Wall-Mount	14	A25P21	A25P21G	1	0
A30X1E2810	30.00 x 28.25 x 10.00	762 x 718 x 254	Wall-Mount	14	A25P21	A25P21G	1	0
A36X1E2808	36.00 x 28.25 x 8.00	914 x 718 x 203	Wall-Mount	14	A31P21	A31P21G	1	0
A36X1E2810	36.00 x 28.25 x 10.00	914 x 718 x 254	Wall-Mount	14	A31P21	A31P21G	1	0
A42X1E2808	42.00 x 28.25 x 8.00	1067 x 718 x 203	Wall-Mount	14	A37P21	A37P21G	1	0
A42X1E2810	42.00 x 28.25 x 10.00	1067 x 718 x 254	Wall-Mount	14	A37P21	A37P21G	1	0
A48X1E4010	48.00 x 40.25 x 10.00	1219 x 1022 x 254	Free-Stand	12	A42P33	A42P33G	1	2
A48X1E4024	48.00 x 40.25 x 24.00	1219 x 1022 x 610	Free-Stand	12	A42P33	A42P33G	1	2
A48X1E4018	48.00 x 40.25 x 18.00	1220 x 1023 x 457	Free-Stand	12	A42P33	A42P33G	1	2
A60X1E4008	60.00 x 40.25 x 8.00	1524 x 1022 x 203	Free-Stand	12	A54P33	A54P33G	1	2
A60X1E4010	60.00 x 40.25 x 10.00	1524 x 1022 x 254	Free-Stand	12	A54P33	A54P33G	1	2
A60X1E4018	60.00 x 40.25 x 18.00	1525 x 1023 x 457	Free-Stand	12	A54P33	A54P33G	1	2
A60X1E4024	60.00 x 40.25 x 24.00	1525 x 1023 x 610	Free-Stand	12	A54P33	A54P33G	1	2

Purchase panels separately.



Low-Profile Type 12 Disconnect Enclosures and Accessories

Standard Product Low Profile Type 12 Two-Door Disconnect Enclosures

Catalog Number	AxBxC in.	AxBxC mm	Description	Body Gauge	Panel	Conductive Panel	Panel Qty.	Body Stiffener	Lifting Eyes
A30X2E5408	30.00 x 54.50 x 8.00	762 x 1384 x 203	Wall-Mount	12	A25P48	A25P48G	1	0	0
A30X2E5410	30.00 x 54.50 x 10.00	762 x 1384 x 254	Wall-Mount	12	A25P48	A25P48G	1	0	0
A36X2E5408	36.00 x 54.50 x 8.00	914 x 1384 x 203	Wall-Mount	12	A31P48	A31P48G	1	0	0
A36X2E5410	36.00 x 54.50 x 10.00	914 x 1384 x 254	Wall-Mount	12	A31P48	A31P48G	1	0	0
A42X2E5408	42.00 x 54.50 x 8.00	1067 x 1384 x 203	Wall-Mount	12	A37P48	A37P48G	1	0	0
A42X2E5410	42.00 x 54.50 x 10.00	1067 x 1384 x 254	Wall-Mount	12	A37P48	A37P48G	1	0	0
A48X2E7808	48.00 x 78.50 x 8.00	1219 x 1994 x 203	Free-Stand	12	A42P72	A42P72G	1	0	2
A48X2E7810	48.00 x 78.50 x 10.00	1219 x 1994 x 254	Free-Stand	12	A42P72	A42P72G	1	0	2
A48X2E7812	48.00 x 78.50 x 12.00	1219 x 1994 x 305	Free-Stand	12	A42P72	A42P72G	1	0	2
A48X2E7818	48.00 x 78.50 x 18.00	1219 x 1994 x 457	Free-Stand	12	A42P72	A42P72G	1	0	2
A48X2E7824	48.00 x 78.50 x 24.00	1219 x 1994 x 610	Free-Stand	12	A42P72	A42P72G	1	0	2
A60X2E7808	60.00 x 78.50 x 8.00	1524 x 1994 x 203	Free-Stand	12	A54P72	A54P72G	1	0	2
A60X2E7810	60.00 x 78.50 x 10.00	1524 x 1994 x 254	Free-Stand	12	A54P72	A54P72G	1	0	2
A60X2E7818	60.00 x 78.50 x 18.00	1524 x 1994 x 457	Free-Stand	12	A54P72	A54P72G	1	0	2
A60X2E7824	60.00 x 78.50 x 24.00	1524 x 1994 x 610	Free-Stand	12	A54P72	A54P72G	1	0	2

Purchase panels separately.

Standard Product Low Profile Type 12 Three-Door Disconnect Enclosures

Catalog Number	AxBxC in.	AxBxC mm	Description	Body Gauge	Panel	Conductive Panel	Panel Qty.	Body Stiffener	Lifting Eyes
A30X3E8310	30.00 x 82.25 x 10.00	762 x 2089 x 254	Wall-Mount	12	A25P21, A25P48	A25P21G, A25P48G	1, 1	0	2
A36X3E8310	36.00 x 82.25 x 10.00	914 x 2089 x 254	Wall-Mount	12	A31P21, A31P48	A31P21G, A31P48G	1, 1	0	2
A42X3E8310	42.00 x 82.25 x 10.00	1067 x 2089 x 254	Wall-Mount	12	A37P21, A37P48	A37P21G, A37P48G	1, 1	0	2
A48X3E1910	48.00 x 118.25 x 10.00	1219 x 3004 x 254	Free-Stand	12	A42P33, A42P72	A42P33G, A42P72G	1, 1	3	2
A48X3E1912	48.00 x 118.25 x 12.00	1219 x 3004 x 305	Free-Stand	12	A42P33, A42P72	A42P33G, A42P72G	1, 1	3	2
A48X3E1918	48.00 x 118.25 x 18.00	1219 x 3004 x 457	Free-Stand	12	A42P33, A42P72	A42P33G, A42P72G	1, 1	3	2
A60X3E1910	60.00 x 118.25 x 10.00	1524 x 3004 x 254	Free-Stand	12	A54P33, A54P72	A54P33G, A54P72G	1, 1	3	2
A60X3E1912	60.00 x 118.25 x 12.00	1524 x 3004 x 305	Free-Stand	12	A54P33, A54P72	A54P33G, A54P72G	1, 1	3	2
A60X3E1918	60.00 x 118.25 x 18.00	1524 x 3004 x 457	Free-Stand	12	A54P33, A54P72	A54P33G, A54P72G	1, 1	3	2
A60X3E1924	60.00 x 118.25 x 24.00	1524 x 3004 x 610	Free-Stand	12	A54P33, A54P72	A54P33G, A54P72G	1, 1	3	2

Purchase panels separately.

Standard Product Low Profile Type 12 Four-Door Disconnect Enclosures

Catalog Number	AxBxC in.	AxBxC mm	Description	Body Gauge	Panel	Conductive Panel	Panel Qty.	Body Stiffener	Lifting Eyes
A42X4E10810	42.00 x 108.50 x 10.00	1067 x 2756 x 254	Wall-Mount	10	A37P48	A37P48G	2	0	4
A48X4E15710	48.00 x 156.50 x 10.00	1219 x 3975 x 254	Free-Stand	10	A42P72	A42P72G	2	3	4
A48X4E15712	48.00 x 156.50 x 12.00	1219 x 3975 x 305	Free-Stand	10	A42P72	A42P72G	2	3	4
A48X4E15718	48.00 x 156.50 x 18.00	1219 x 3977 x 457	Free-Stand	10	A42P72	A42P72G	2	3	4
A60X4E15710	60.00 x 156.50 x 10.00	1524 x 3975 x 254	Free-Stand	10	A54P72	A54P72G	2	3	4
A60X4E15712	60.00 x 156.50 x 12.00	1524 x 3975 x 305	Free-Stand	10	A54P72	A54P72G	2	3	4
A60X4E15716	60.00 x 156.50 x 16.00	1524 x 3975 x 406	Free-Stand	10	A54P72	A54P72G	2	3	4
A60X4E15718	60.00 x 156.50 x 18.00	1524 x 3975 x 457	Free-Stand	10	A54P72	A54P72G	2	3	4

Purchase panels separately.

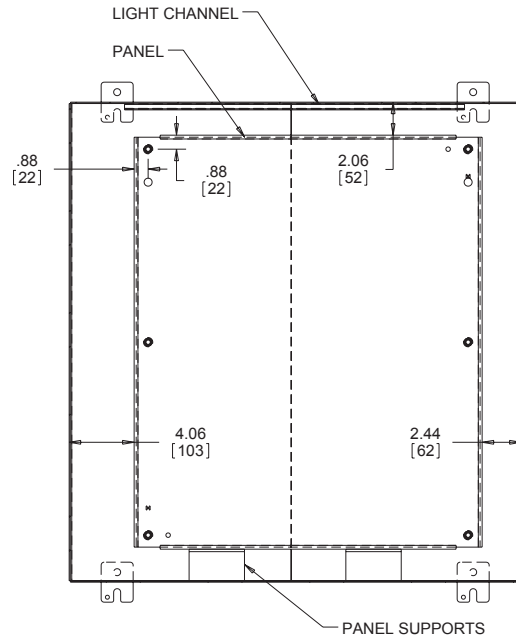
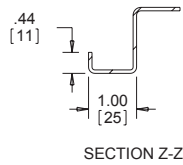
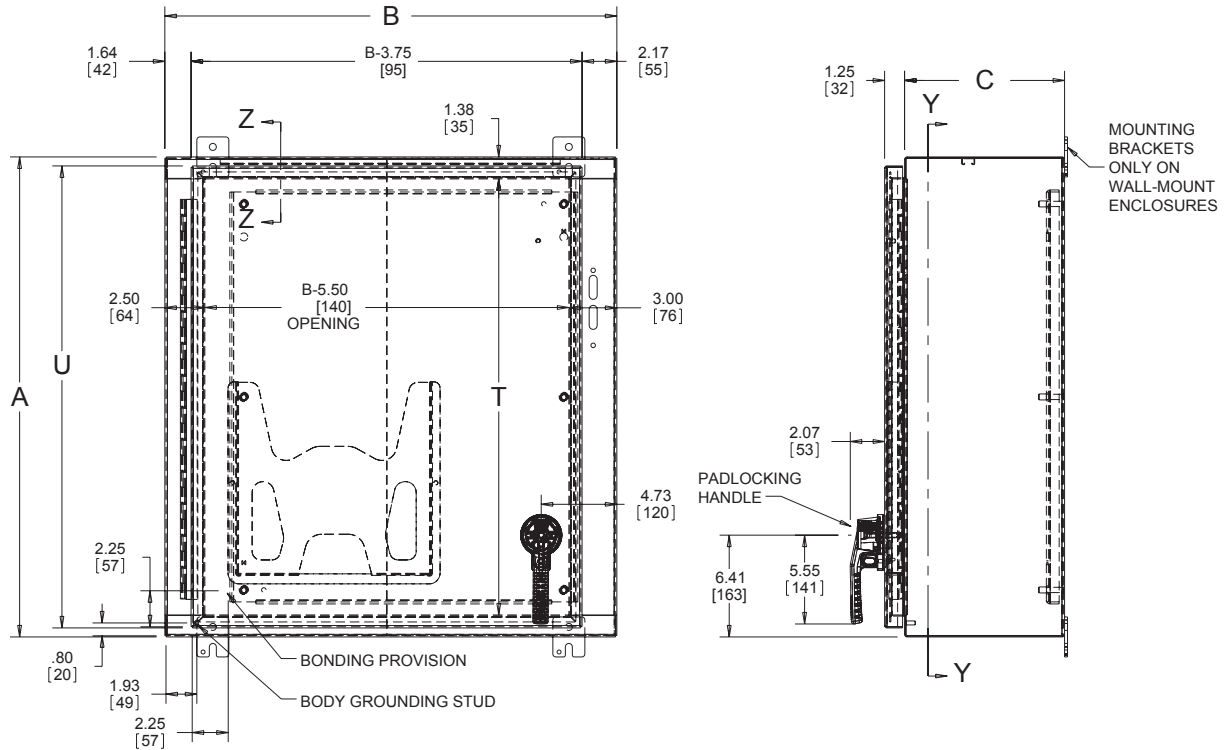
Standard Product Low Profile Type 12 Five-Door Disconnect Enclosures

Catalog Number	AxBxC in.	AxBxC mm	Description	Body Gauge	Panel	Conductive Panel	Panel Qty.	Body Stiffener	Lifting Eyes
A48X5E19612	48.00 x 196.25 x 12.00	1219 x 4987 x 305	Free-Stand	10	A42P33, A42P72	A42P33G, A42P72G	1, 2	3	4
A48X5E19618	48.00 x 196.25 x 18.00	1219 x 4987 x 457	Free-Stand	10	A42P33, A42P72	A42P33G, A42P72G	1, 2	3	4
A60X5E19610	60.00 x 196.25 x 10.00	1524 x 4987 x 254	Free-Stand	10	A54P33, A54P72	A54P33G, A54P72G	1, 2	3	4
A60X5E19612	60.00 x 196.25 x 12.00	1524 x 4987 x 305	Free-Stand	10	A54P33, A54P72	A54P33G, A54P72G	1, 2	3	4
A60X5E19616	60.00 x 196.25 x 16.00	1524 x 4987 x 406	Free-Stand	10	A54P33, A54P72	A54P33G, A54P72G	1, 2	3	8
A60X5E19618	60.00 x 196.25 x 18.00	1524 x 4987 x 457	Free-Stand	10	A54P33, A54P72	A54P33G, A54P72G	1, 2	3	8

Purchase panels separately.

Low-Profile Type 12 Disconnect Enclosures and Accessories

Single-Door Enclosure

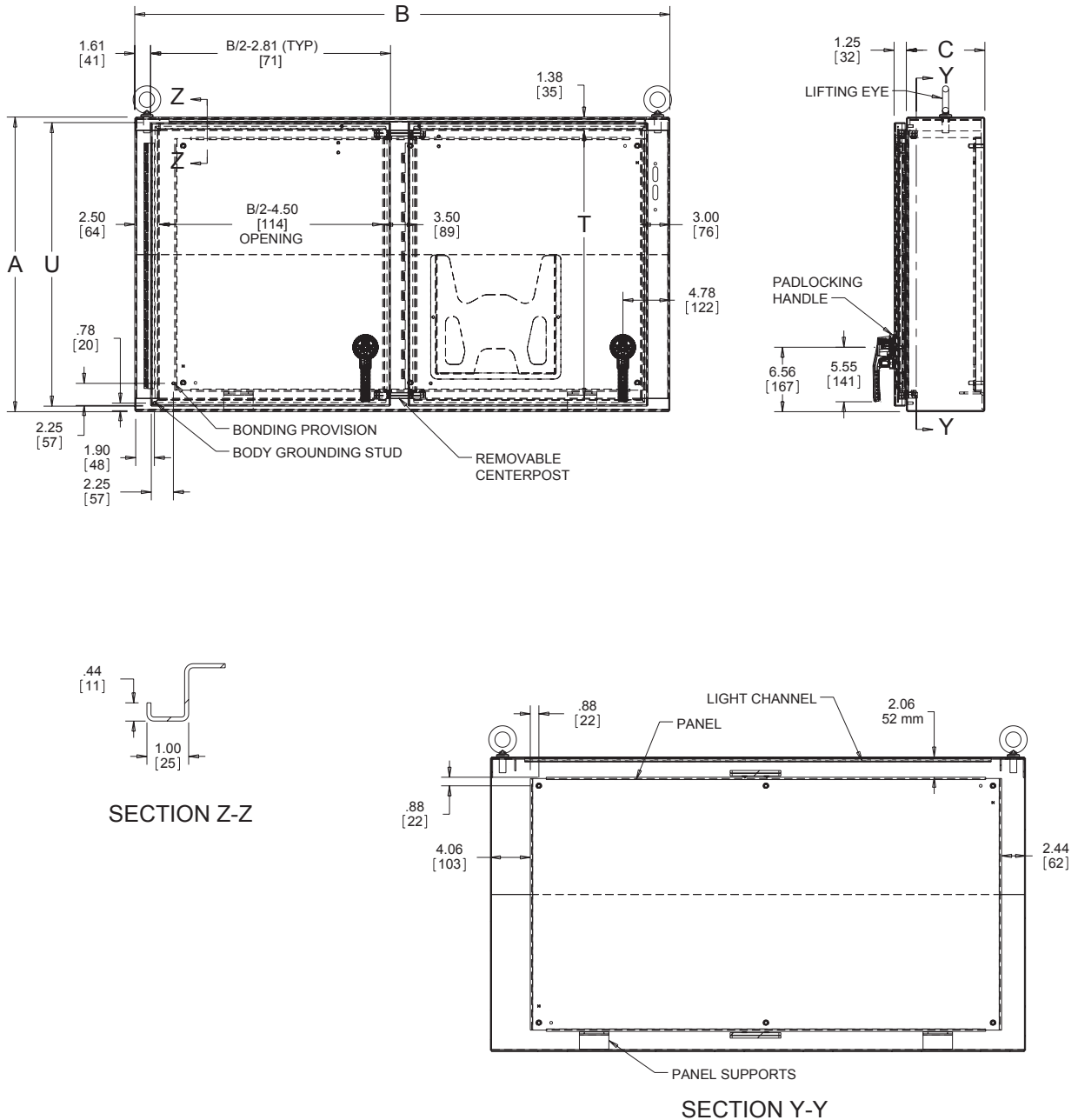


SECTION Y-Y

87574157

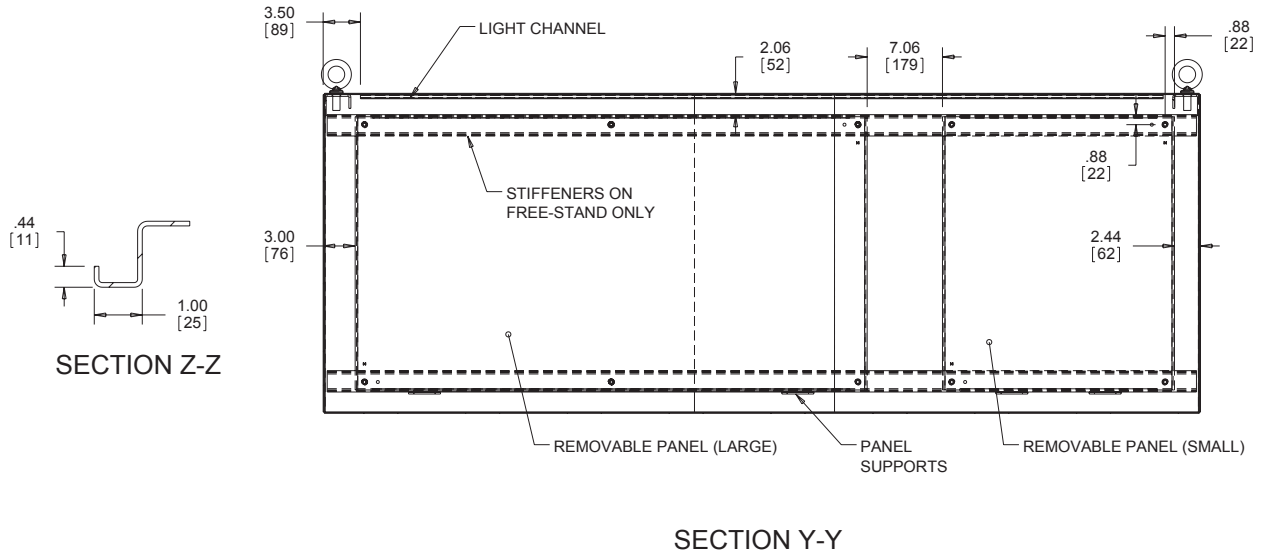
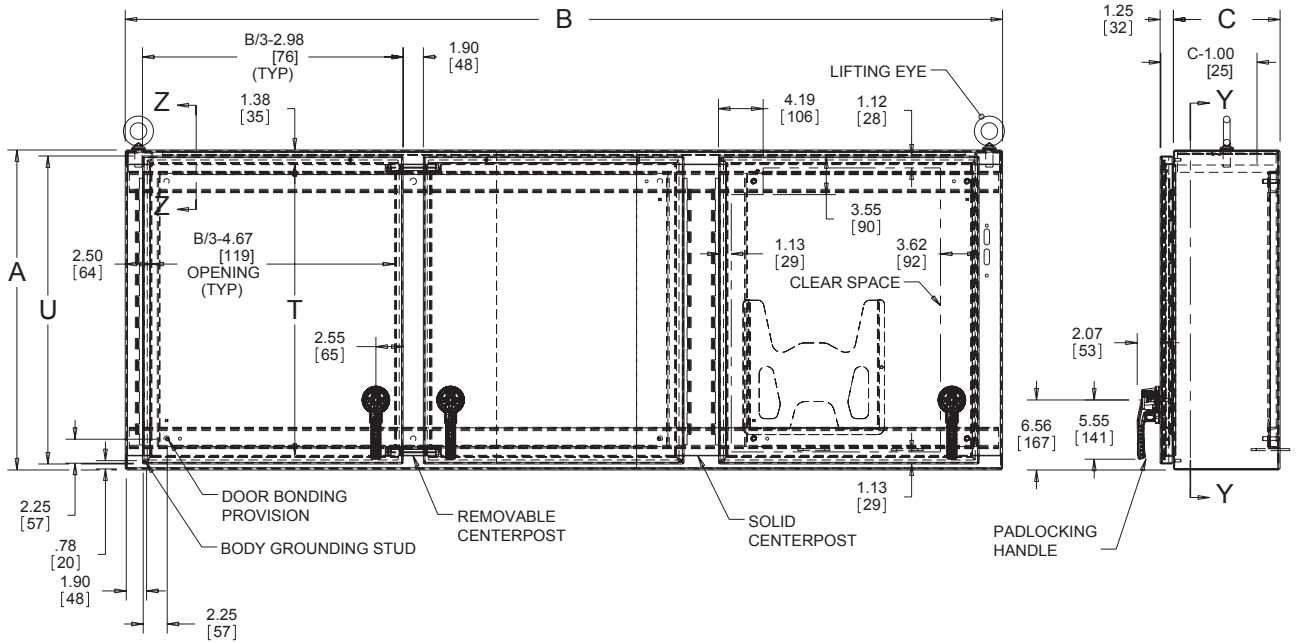
Low-Profile Type 12 Disconnect Enclosures and Accessories

Two-Door Enclosure



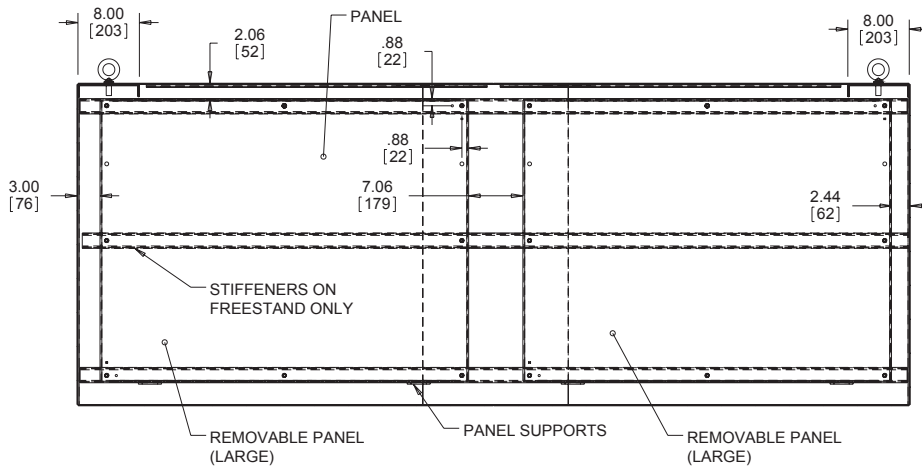
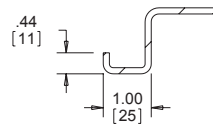
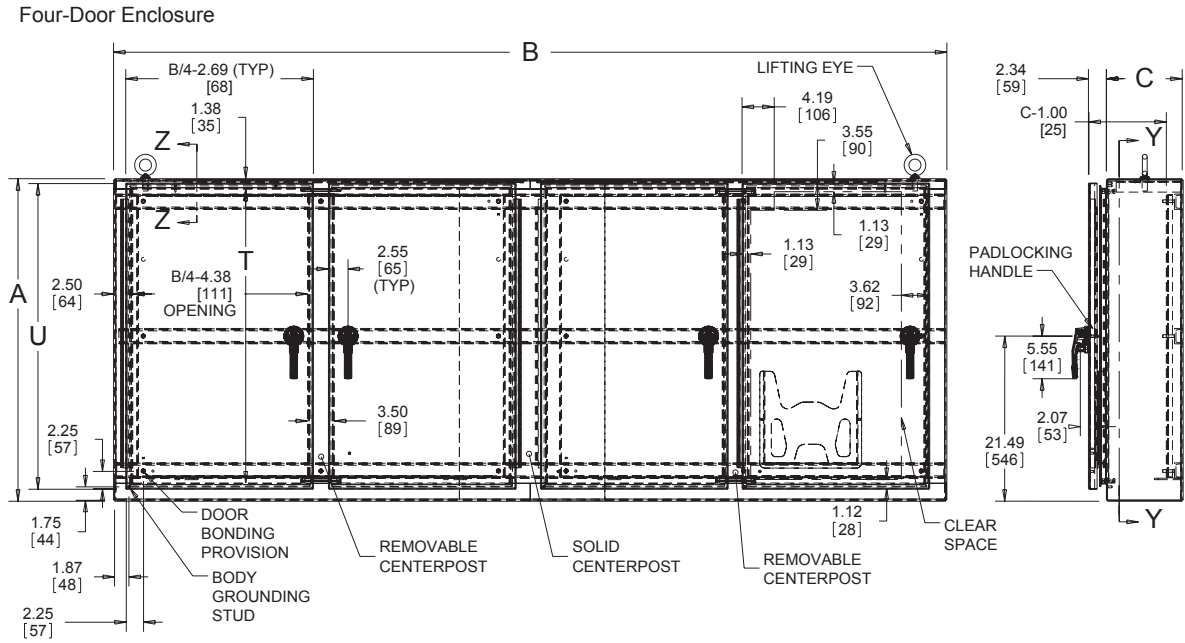
87574159

Three-Door Enclosure



87574161

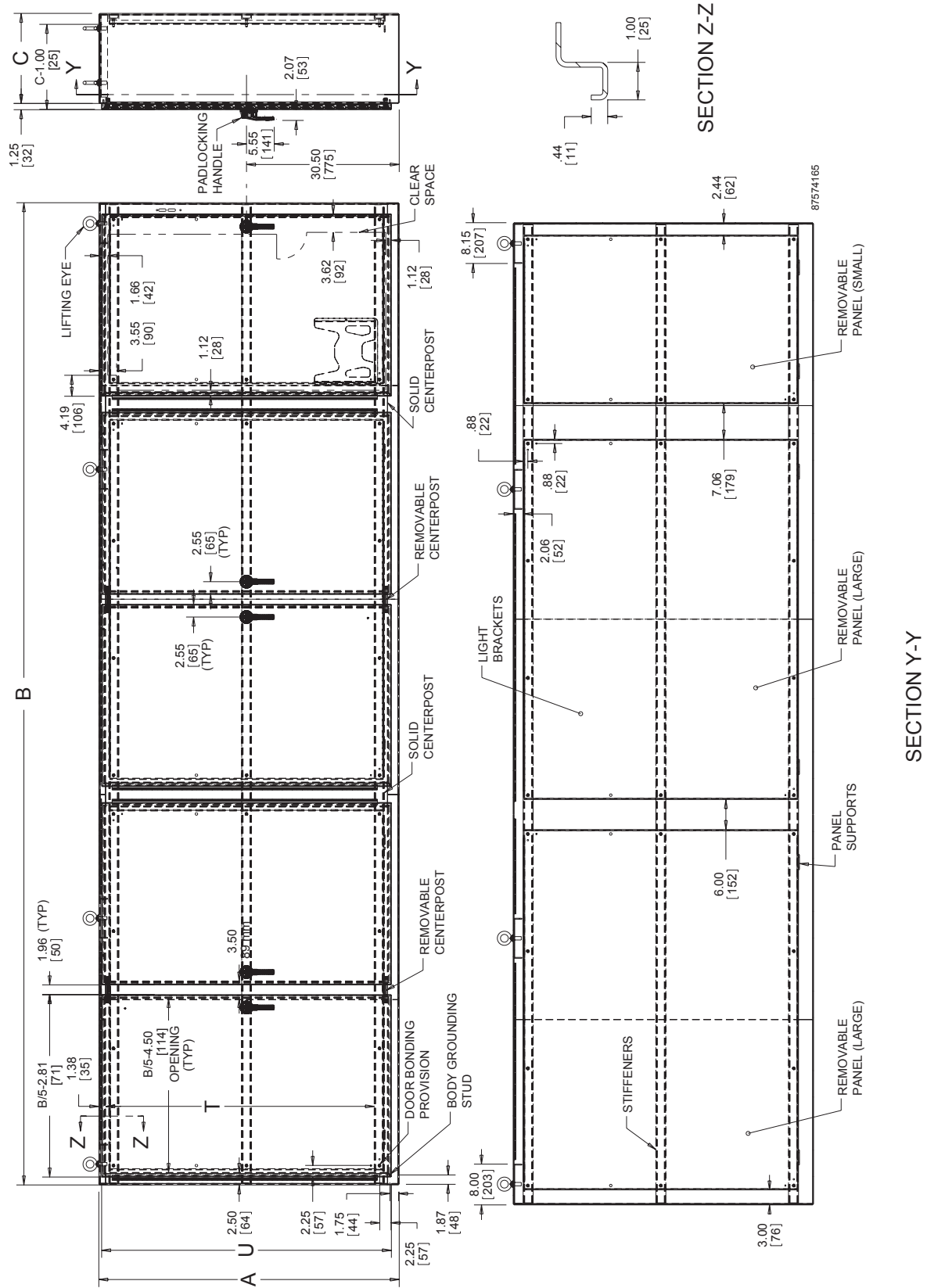
Low-Profile Type 12 Disconnect Enclosures and Accessories



87574163

Low-Profile Type 12 Disconnect Enclosures and Accessories

Five-Door Enclosure



Low-Profile Type 12 Disconnect Enclosures and Accessories

Disconnect Mounting Space

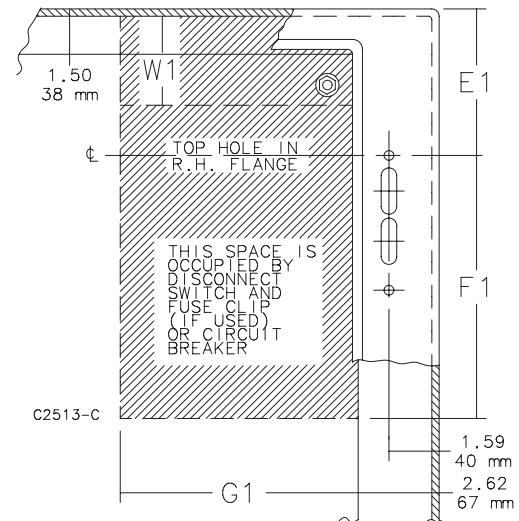
Disconnects will occupy space on panel shown by dimensions E1, F1 and G1 in Disconnect Mounting Space diagram. Wiring space W1 is available when disconnect is installed in the enclosure.

- E1 = 4.75 in. (121 mm) when C = 8.00 in. (203 mm)
- E1 = 7.09 in. (180 mm) when C = 10.00 in. (254 mm)
- E1 = 11.62 in. (294 mm) when C = 12.00 in. (305 mm)
- E1 = 11.62 in. (294 mm) when C = 16.00 in. (406 mm)
- E1 = 18.38 in. (467 mm) for A60SA3812A24LP
- W1 = Wiring Space.

See *Technical Information* for wire bend space.

Refer to **NATIONAL ELECTRICAL CODE 2005** article 430.10(B) for wiring space required for line side conductors to be connected to disconnect.

Verify your application to determine if wiring space is adequate.



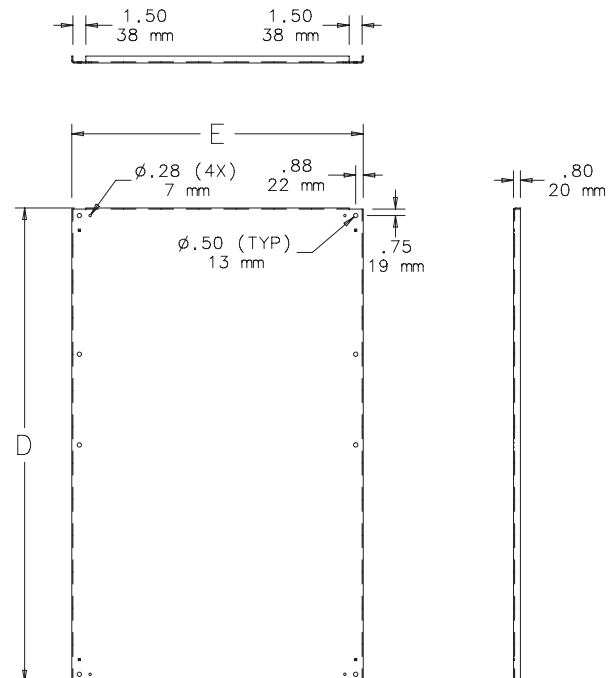
Consult disconnect manufacturer or see Disconnect Ordering Information at hoffmanonline.com under Technical Resources for F1 and G1 dimensions of various brands of disconnects.

Panels for A26 Low-Profile Type 12 Disconnect Enclosures

Optional panels for low-profile Type 12 enclosures (Bulletin A26) are 10 gauge steel. Finish is white polyester powder paint or a conductive, corrosion-resistant coating. Mounting hardware included with enclosure.

Bulletin: A26P

Catalog Number	Finish	Panel Size D x E (in.)	Panel Size D x E (mm)	Fits Bay
A25P21	Painted steel	25.88 x 21.75	657 x 552	1
A31P21	Painted steel	31.88 x 21.75	810 x 552	1
A31P21G	Conductive	31.88 x 21.75	810 x 552	1
A37P21	Painted steel	37.88 x 21.75	962 x 552	1
A37P21G	Conductive	37.88 x 21.75	962 x 552	1
A42P33	Painted steel	42.88 x 33.75	1089 x 857	1
A42P33G	Conductive	42.88 x 33.75	1089 x 857	1
A54P33	Painted steel	54.88 x 33.75	1394 x 857	1
A54P33G	Conductive	54.88 x 33.75	1394 x 857	1
A25P48	Painted steel	25.88 x 48.00	657 x 1219	2
A25P48G	Conductive	25.88 x 48.00	657 x 1219	2
A31P48	Painted steel	31.88 x 48.00	810 x 1219	2
A31P48G	Conductive	31.88 x 48.00	810 x 1219	2
A37P48	Painted steel	37.88 x 48.00	962 x 1219	2
A37P48G	Conductive	37.88 x 48.00	962 x 1219	2
A42P72	Painted steel	42.88 x 72.00	1089 x 1829	2
A42P72G	Conductive	42.88 x 72.00	1089 x 1829	2
A54P72	Painted steel	54.88 x 72.00	1394 x 1829	2
A54P72G	Conductive	54.88 x 72.00	1394 x 1829	2



87925504

Hoffman WATERSHED® Wall-Mount Disconnect Enclosures
WATERSHED® Disconnect Enclosure, Type 4X

Industry Standards

Mounting brackets required to meet UL/cUL external mounting requirement.

UL 508A Listed; Type 4, 4X, 12; File Number E61997
 cUL Listed per CSA C22.2 No. 94; Type 4, 4X, 12; File No. E61997

NSF 169
 NEMA/EEMAC Type 4, 4X, 12
 IEC 60529, IP66
 Meets NEMA Type 3RX requirements

Application

Specifically designed for disconnect applications in sanitary washdown production environments, such as food and beverage manufacturing. Hoffman WATERSHED® Disconnect Enclosures feature a sloped top, sloped door edges, bullet-style hinges and additional unique features that facilitate washdown runoff.

Specifications

- 14 gauge Type 304 stainless steel
- Seams continuously welded and ground smooth
- Smooth Type 304 stainless steel lift-off bullet-style hinges
- Hinges are shielded by door edges
- Hinged side of door has provisions to allow direct flushing of hinge area
- 20-degree sloped top
- 170-degree door opening
- Door edges are sloped 20 degrees at top and bottom
- Slanted flange trough collar along the top edge of the enclosure opening
- Stainless steel quarter-turn latches with flush slotted insert
- Seamless foam-in-place gasket
- Self-grounding latch system
- Bonding provision on door; grounding stud on body
- Panel studs fit optional NEMA size panels
- Preferred cutout on right flange provides mounting for most disconnect operators
- Mounting holes in back of body for direct mounting or for optional stand-off kit or external mounting brackets
- Furnished hardware kit consists of panel mounting nuts, grounding hardware and sealing washers for wall-mounting holes

Finish

Sides, top, bottom and door have a #4 brushed finish.

Accessories

See also Accessories.
 Mounting Bracket Kit
 Panels for Type 3R, 4, 4X, 12 and 13 Enclosures
 Stand-Off Kit
 Padlocking Handle Kit
 Padlocking Latch Kit

Modification and Customization

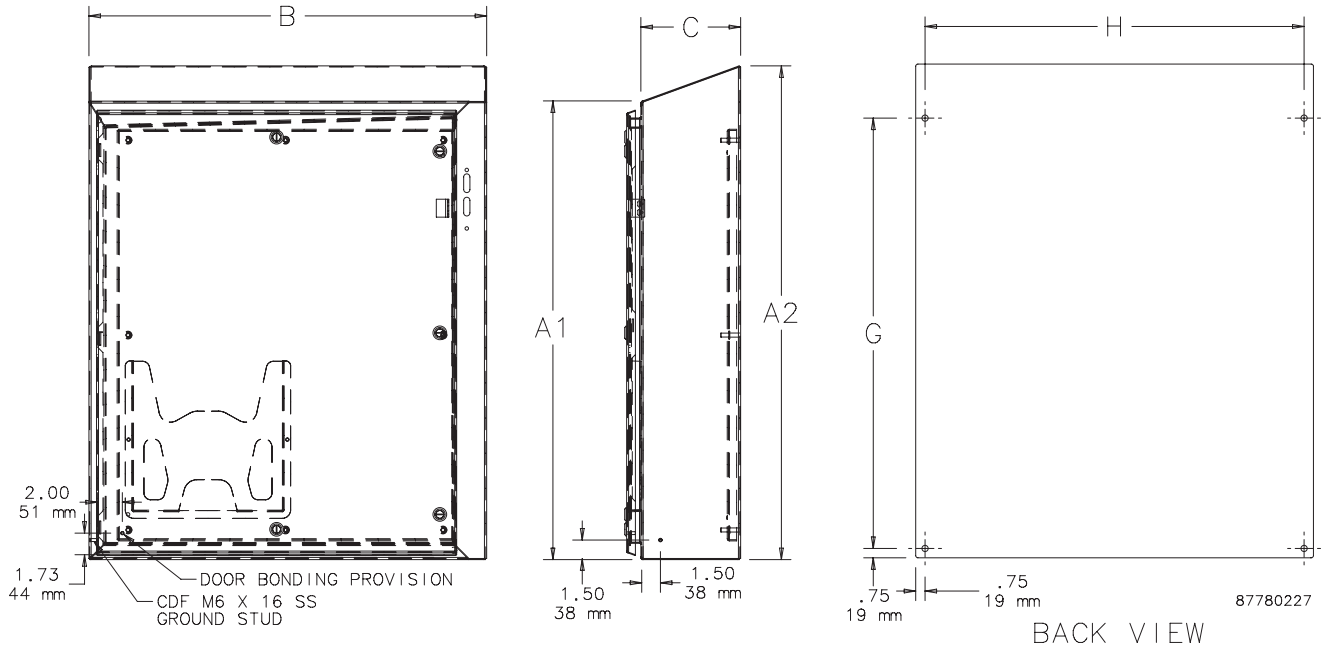
Hoffman excels at modifying and customizing products to your specifications. Contact your local Hoffman sales office or distributor for complete information.

Bulletin: [WS1D](#)

Hoffman WATERSHED® Wall-Mount Disconnect Enclosures
Standard Product

Catalog Number	AxBxC in./mm	A1 in./mm	A2 in./mm	B in./mm	C in./mm	G in./mm	H in./mm	Latch Qty.	Panel	Conductive Panel
WS24HS2508SS	24.00 x 25.00 x 8.00 610 x 635 x 203	24.53 623	27.44 697	25.89 658	8.00 203	22.50 572	24.39 620	4	A24P24	A24P24G
WS30HS2508SS	30.00 x 25.00 x 8.00 762 x 635 x 203	30.53 775	33.44 849	25.89 658	8.00 203	28.50 724	24.39 610	4	A30P24	A30P24G
WS36HS3108SS	36.00 x 31.00 x 8.00 914 x 787 x 203	36.70 932	39.58 1005	31.89 810	8.00 203	34.50 876	30.39 772	5	A36P30	A36P30G
WS48HS3716SS	48.00 x 37.00 x 16.00 1219 x 940 x 406	48.86 1241	54.66 1388	37.89 962	16.00 406	46.50 1181	36.39 924	5	A48P36	A48P36G
WS60HS3716SS	60.00 x 37.00 x 16.00 1524 x 940 x 406	60.87 1546	66.66 1693	37.89 962	16.00 406	58.50 1486	36.39 924	5	A60P36	A60P36G

Purchase panels separately. Optional Stainless steel, composite and aluminum panels available for most sizes.


Disconnect Mounting Space

Disconnects will occupy space on panel shown by dimensions E1, F1 and G1 in diagram. Wiring space W1 is available when disconnect is installed in the enclosure.

E1 = 4.75 in. (121 mm) when C = 8.00 in. (203 mm)

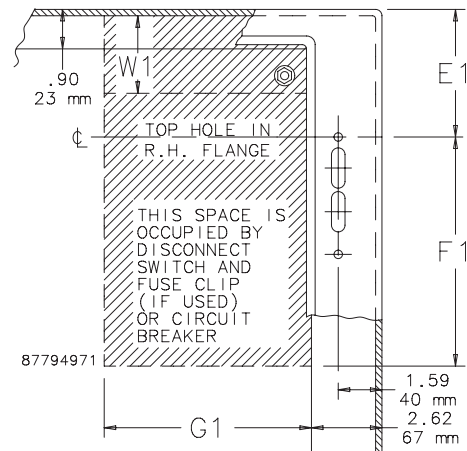
E1 = 11.62 in. (294 mm) when C = 16.00 in. (406 mm)

W1 = Wiring space.

See *Technical Information* for wire bend space.

Refer to *National Electrical Code*®, 2005 article 430-10(B) for wiring space required for line side conductors to be connected to disconnect.

Verify your application to determine if wiring space is adequate.



Consult disconnect manufacturer or see Disconnect Ordering Information at hoffmanonline.com under Technical Resources for F1 and G1 dimensions of various brands of disconnects.

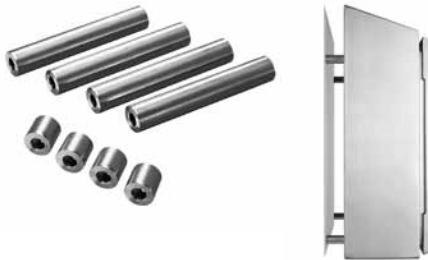
Hoffman WATERSHED® Wall-Mount Disconnect Enclosures
Mounting Bracket Kit


Type 304 stainless steel brackets are field-installable. Brackets maintain Type 4X rating. All hardware is included. Four brackets per kit.

Top brackets must be mounted to the sides of enclosure.

Bulletin: A80

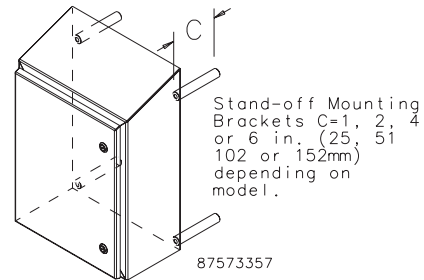
Catalog Number	Description
CMFKSS	Type 304 stainless steel mounting bracket kit

Stand-Off Kit


Stand-offs provide space between wall-mount enclosure and wall for better washdown accessibility. Maintains Type 4X rating. Sealing washers included. Four stand-offs per kit.

Bulletin: WSY

Catalog Number	C (in.)	C (mm)
WSSOK1SS	1.00	25
WSSOK2SS	2.00	51
WSSOK4SS	4.00	102
WSSOK6SS	6.00	152


Padlocking Handle Kit


Type 304 stainless steel padlocking handle for use on Hoffman WATERSHED® Wall-Mount Enclosures. Maintains Type 4X rating.

Bulletin: WSY

Catalog Number	Description
WSHPL	Stainless Steel Padlocking Handle

Padlocking Latch Kit


Type 304 stainless steel padlocking latch for use on Hoffman WATERSHED® Wall-Mount Enclosures. Maintains Type 4X rating.

Bulletin: WSY

Catalog Number	Description
WSLPL	Padlocking Latch Kit



Hoffman WATERSHED® Wall-Mount Disconnect Enclosures

Notes

Fixed-Depth Allen-Bradley Cutout Overview



Application

Enclosures having the “Allen-Bradley” cutout are ONLY compatible with fixed-depth Allen-Bradley devices up to 1494F Series C. This cutout is ONLY found on A22 Enclosures and on adapter plates in the A21ABA Adapter Kit.

Ordering

The disconnect switch, operating handle, and operating mechanism must be ordered separately. See Technical Information in the Hoffman Specifier’s Guide for wire bend space available, or Disconnect Ordering Information at hoffmanonline.com for disconnect ordering guidelines and wire bend space available. Check the enclosure dimension drawings to make sure the chosen disconnect switch will fit in the enclosure.

A complete assembly consists of:

1. An enclosure
2. Guide bracket(s) and door catch welded to door
3. Locking bar(s) for door hardware
4. Spacers and screws to support disconnect to panel
5. Instructions to locate and install disconnects

Allen-Bradley® 1494 Cutout Disconnect Enclosure, Type 12



Furnished with Enclosure

1. Guide bracket(s) and door catch welded to door
2. Locking bar(s) for door hardware
3. Spacers and screws to support disconnect to panel
4. Instructions to locate and install disconnects

Specifications

- 14 gauge steel
- Seams continuously welded and ground smooth
- External mounting brackets
- External-formed flange around all sides of enclosure opening
- Removable door with continuous hinge
- Type 12 rated door gasket
- Collar studs provided for mounting optional panels
- Holes provided in body and door for mounting disconnect switch, operating mechanism and door hardware
- Data pocket is high impact thermoplastic
- Guide bracket(s) and door catch welded to door
- Includes locking bar(s) for door hardware, spacers and screws to support disconnect panel, and instructions for installing disconnects

Finish

White inside with ANSI 61 gray outside finish.

Accessories

See also Accessories.

- Blank Adapter Plates, Mild Steel
- Electric Heater
- Compact Cooling Fans
- PANELITE™ Enclosure Lights Overview
- Panels for Type 3R, 4, 4X, 12 and 13 Enclosures
- Steel and Stainless Steel Window Kits

Modification and Customization

Hoffman excels at modifying and customizing products to your specifications. Contact your local Hoffman sales office or distributor for complete information.

Bulletin: A22

Industry Standards

UL 508A Listed; Type 12, 13; File No. E61997
cUL Listed per CSA C22.2 No. 94; Type 12, 13; File No. E61997

NEMA/EEMAC Type 12, 13
CSA File No. 42186: Type 12
IEC 60529, IP65

Application

These enclosures house Allen-Bradley® Bulletin 1494F flange-mount disconnect switches and Bulletin 1494D flange-mount operators for circuit breakers.



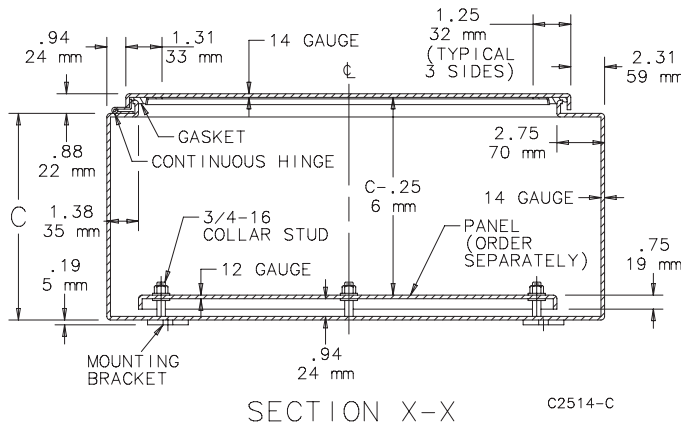
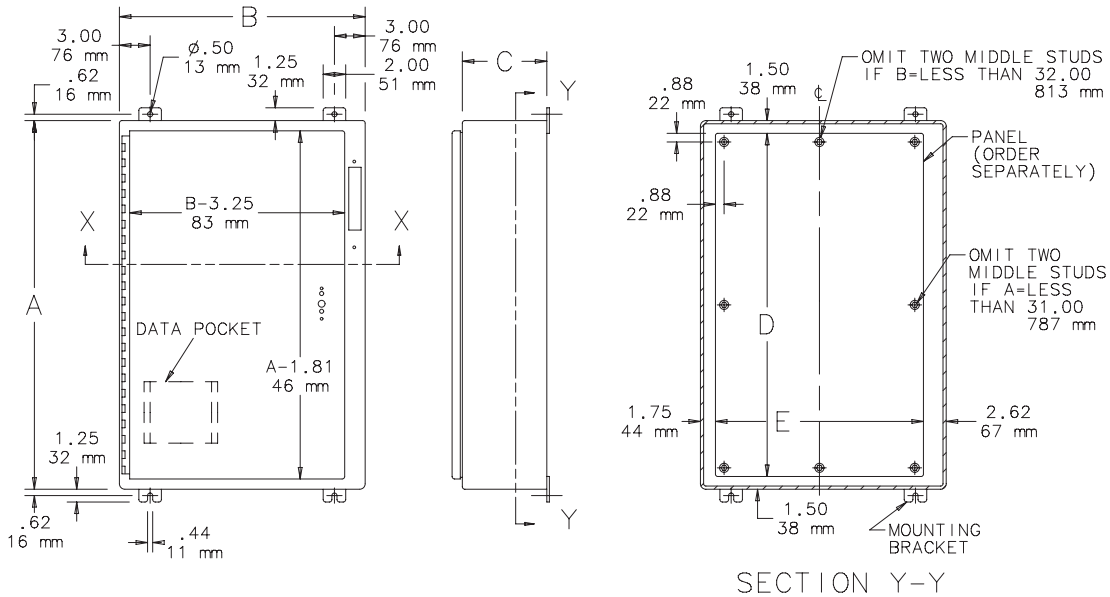
Disconnect: Wall-Mount Fixed-Depth Allen-Bradley Disconnect Enclosures Type 12, 13 Fixed-Depth AB Disconnects

Standard Product

Catalog Number	AxBxC in./mm	Panel	Conductive Panel	Panel Size D x E in./mm	Data Pocket Size in./mm
A20AB2208LP	20.00 x 21.38 x 8.00 508 x 543 x 203	A20P20	A20P20G	17.00 x 17.00 432 x 432	6.00 x 6.00 152 x 152
A24AB2208LP	24.00 x 21.38 x 8.00 610 x 543 x 203	A24P20	A24P20G	21.00 x 17.00 533 x 432	6.00 x 6.00 152 x 152
A24AB2608LP	24.00 x 25.38 x 8.00 610 x 645 x 203	A24P24	A24P24G	21.00 x 21.00 533 x 533	6.00 x 6.00 152 x 152
A30AB2208LP	30.00 x 21.38 x 8.00 762 x 543 x 203	A30P20	A30P20G	27.00 x 17.00 686 x 432	6.00 x 6.00 152 x 152
A36AB2608LP	36.00 x 25.38 x 8.00 914 x 645 x 203	A36P24	A36P24G	33.00 x 21.00 838 x 533	12.00 x 12.00 305 x 305
A24AB2210LP	24.00 x 21.38 x 10.00 610 x 543 x 254	A24P20	A24P20G	21.00 x 17.00 533 x 432	6.00 x 6.00 152 x 152
A24AB2610LP	24.00 x 25.38 x 10.00 610 x 645 x 254	A24P24	A24P24G	21.00 x 21.00 533 x 533	6.00 x 6.00 152 x 152
A30AB2210LP	30.00 x 21.38 x 10.00 762 x 543 x 254	A30P20	A30P20G	27.00 x 17.00 686 x 432	6.00 x 6.00 152 x 152
A30AB2610LP	30.00 x 25.38 x 10.00 762 x 645 x 254	A30P24	A30P24G	27.00 x 21.00 686 x 533	12.00 x 12.00 305 x 305
A36AB2610LP	36.00 x 25.38 x 10.00 914 x 645 x 254	A36P24	A36P24G	33.00 x 21.00 838 x 533	12.00 x 12.00 305 x 305
A36AB3210LP	36.00 x 31.38 x 10.00 914 x 797 x 254	A36P30	A36P30G	33.00 x 27.00 838 x 686	12.00 x 12.00 305 x 305
A42AB3210LP	42.00 x 31.38 x 10.00 1067 x 797 x 254	A42P30	A42P30G	39.00 x 27.00 991 x 686	6.00 x 6.00 152 x 152
A42AB3810LP	42.00 x 37.38 x 10.00 1067 x 949 x 254	A42P36	A42P36G	39.00 x 33.00 991 x 838	12.00 x 12.00 305 x 305
A48AB3810LP	48.00 x 37.38 x 10.00 1219 x 949 x 254	A48P36	A48P36G	45.00 x 33.00 1143 x 838	12.00 x 12.00 305 x 305
A60AB3810LP	60.00 x 37.38 x 10.00 1524 x 949 x 254	A60P36	A60P36G	57.00 x 33.00 1448 x 838	12.00 x 12.00 305 x 305
A36AB3212LP	36.00 x 31.38 x 12.00 914 x 797 x 305	A36P30	A36P30G	33.00 x 27.00 838 x 686	12.00 x 12.00 305 x 305
A42AB3212LP	42.00 x 31.38 x 12.00 1067 x 797 x 305	A42P30	A42P30G	39.00 x 27.00 991 x 686	6.00 x 6.00 152 x 152
A42AB3812LP	42.00 x 37.38 x 12.00 1067 x 949 x 305	A42P36	A42P36G	39.00 x 33.00 991 x 838	12.00 x 12.00 305 x 305
A48AB3812LP	48.00 x 37.38 x 12.00 1219 x 949 x 305	A48P36	A48P36G	45.00 x 33.00 1143 x 838	12.00 x 12.00 305 x 305
A60AB3812LP	60.00 x 37.38 x 12.00 1524 x 949 x 305	A60P36	A60P36G	57.00 x 33.00 1448 x 838	12.00 x 12.00 305 x 305
A48AB3816LP	48.00 x 37.38 x 16.00 1219 x 949 x 406	A48P36	A48P36G	45.00 x 33.00 1143 x 838	12.00 x 12.00 305 x 305
A60AB3816LP	60.00 x 37.38 x 16.00 1524 x 949 x 406	A60P36	A60P36G	57.00 x 33.00 1448 x 838	12.00 x 12.00 305 x 305

Purchase panels separately.

Disconnect: Wall-Mount Fixed-Depth Allen-Bradley Disconnect Enclosures Type 12, 13 Fixed-Depth AB Disconnects



Disconnect Mounting Space

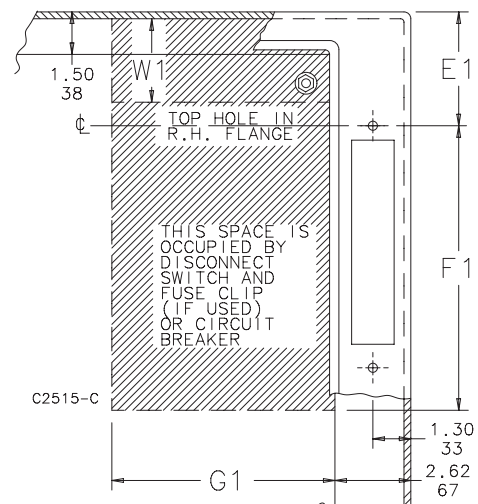
Disconnects will occupy space on panel shown by dimensions E1, F1 and G1. Wiring space W1 is available when disconnect is installed in the enclosure.

- E1 = 6.75 in. (171 mm) when C = 10.00 in. (254 mm)
- E1 = 9.50 in. (241 mm) when C = 12.00 in. (305 mm) except enclosures for 200 A switches
- E1 = 9.50 in. (241 mm) when C = 16.00 in. (406 mm)
- W1 = Wiring Space

Refer to **NATIONAL ELECTRICAL CODE, 2005** article 430-10(b) for wiring space required for line side conductors to be connected to disconnect.

Verify your application to determine if wiring space is adequate.

Consult Space Occupied by Disconnect drawing to determine whether the disconnect device you are using will fit the enclosure size you have selected.



Consult disconnect manufacturer or see Disconnect Ordering Information at hoffmanonline.com under Technical Resources for F1 and G1 dimensions of various brands of disconnects.

Free-Stand Preferred-Cutout Disconnect Overview

Preferred-Cutout Overview



Application

Enclosures having the preferred cutout are sized for use with up to 200A disconnect switches and up to 400A circuit breakers unless otherwise specified. The preferred cutout accepts the smaller operating handle whose mounting hole centers are 4.688 in. apart. Preferred cutouts are standard in mild steel wall-mount enclosures, modular enclosures and some select large mild steel enclosures. They are also present on all standard stainless steel offerings. Operator adapter for preferred cutouts must be ordered separately to be used with A21S, A28S4 and A4S enclosures.

Preferred cutouts are designed to house the following:

Allen-Bradley

- Bulletin 1494V disconnect switches with flange-mount variable-depth operating mechanisms and Bulletin 1494V flange-mount variable-depth operating mechanisms for circuit breakers
- Bulletin 140U flexible cable operating mechanisms for 140U molded case circuit breakers
- Bulletin 1494C cable-operated disconnect switches with flange-mount handles
- Bulletin 194RC cable-operated flange-mount handles for use with the NFPA 79 compliant 194R IEC rotary disconnect switches

Allen-Bradley Bulletin 1494V-R1, -R2 and -W2 operating handles and Allen-Bradley Bulletin 1494F disconnect devices or Bulletin 1494D circuit breaker operators will NOT fit these enclosures.

ABB Controls flange-mount variable-depth operating mechanisms for disconnect switches and circuit breakers. Also the cable version for circuit breakers.

Eaton Cutler-Hammer Type C361 flange-mount variable-depth operating mechanisms with disconnect switches and Type C371 flange-mount variable-depth operating mechanisms for circuit breakers.

General Electric Type STDA flange handles and variable-depth operating mechanisms for disconnect switches and circuit breakers. Also SPECTRAFLEX™ cable operators for circuit breakers.

Siemens ITE MAX FLEX® flange-mount variable-depth operating handles for circuit breakers.

Schneider Square D® Class 9422 disconnect switches with flange-mount variable-depth operating mechanisms or cable mechanisms and Class 9422 flange-mount variable-depth operating mechanisms or cable mechanisms for circuit breakers.

These enclosures will NOT accept Square D Class 9422 bracket-mounted disconnect devices, Class 9422TG1 or TG2 devices.

Ordering

Order the disconnect switch, operating handle and operating mechanism separately. See Technical Information in the Hoffman Specifier's Guide for wire bend space available when various manufacturers' disconnect switches are installed or Disconnect Ordering Information at hoffmanonline.com for disconnect ordering guidelines and wire bend space available. Check the enclosure dimension drawings to verify the chosen disconnect switch will fit in the enclosure.

All 24.12-in. (613-mm) and deeper enclosures using short connecting rods by the following manufacturers require a Hoffman platform assembly, catalog number ADSCPA, purchased separately.

- ABB Controls flange-operated devices
- Eaton Cutler-Hammer C361 devices
- Eaton Cutler-Hammer C371 mechanisms which use C371E, F, G, K operating mechanism (see Disconnect Enclosure Accessories)
- General Electric Type TDA devices (see Disconnect Enclosure Accessories)
- Schneider Square D® Class 9422 devices (see Disconnect Enclosure Accessories)

The platform assembly can be omitted if long connecting rods are ordered in place of short connecting rods.

- For Eaton Cutler-Hammer operating mechanisms C371E and C371F order catalog number C371CS1 connecting rod. For C371G and C371K order catalog number C371CS2 connecting rod.
- For General Electric devices, order catalog number TDSR extended length drive rod
- For Schneider Square D devices, order catalog number 9422-R2 extra long operating rod(s). Some devices require two rods. Consult factory for space occupied on panel when platform is used.

Free-Stand Disconnect Enclosures and Accessories

Free-Stand Disconnect Enclosure, Type 1



Industry Standards

UL508A Listed; Type 1; File No. E61997
 cUL Listed per CSA C22.2 No. 14; Type 1; File No. E61997

NEMA/EEMAC Type 1
 IEC 60529 IP30

Application

Free-Stand Disconnect Enclosures, Type 1, are an economical way to protect electrical and electronic equipment in applications that do not require extensive environmental protection.

Specifications

- 14 gauge steel body and door; 12 gauge back covers
- 4-in. high 10 gauge steel integral lifting base
- Modified preferred disconnect cutout
- Heights from 60 in. to 84 in. Usable height inside cabinet 4 in. less than nominal height.
- Sturdy 7 gauge lifting tabs
- Flush doors
- 3-point latch with heavy-duty handle
- Screwdriver defeater in handle on master door
- Padlock provision in handle
- Predrilled holes in lifting base provide bolt-down capability

- Bonding provision on each door
- Studs included for mounting optional panels on threaded bolts
- Optional rack angles mount to top and bottom of front flanges

Finish

RAL 7035 light gray polyester powder paint inside and outside. Optional panels have white or conductive finish.

Accessories

See also Accessories.

- Rack-Angle Mounted Drawer
- Rack-Mount Steel Shelf
- Rack Mounting Angle Kit - L Style
- Electric Heater
- Compact Cooling Fans

Modification and Customization

Hoffman excels at modifying and customizing products to your specifications. Contact your local Hoffman sales office or distributor for complete information.

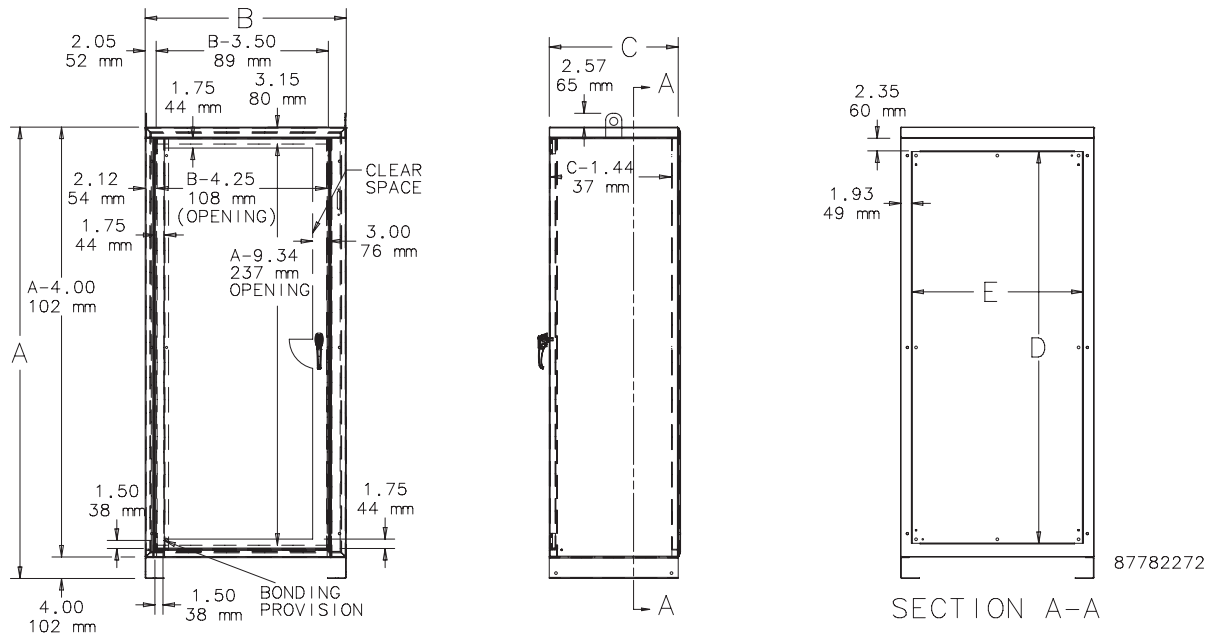
Bulletin: A38D

Free-Stand Disconnect Enclosures and Accessories

Standard Product Free-Stand Type 1 Large One-Door Disconnect Enclosures

Catalog Number	AxBxC in./mm	Panel	Conductive Panel	Panel Size D x E in./mm	Use Rack Angle
A60XN2712FSLP	60.00 x 27.00 x 12.00 1524 x 686 x 305	A49P21N	A49P21NG	49.16 x 21.50 1249 x 546	ARA6019THG
A60XN2718FSLP	60.00 x 27.00 x 18.00 1524 x 686 x 457	A49P21N	A49P21NG	49.16 x 21.50 1249 x 546	ARA6019THG
A60XN2724FSLP	60.00 x 27.00 x 24.00 1524 x 686 x 610	A49P21N	A49P21NG	49.16 x 21.50 1249 x 546	ARA6019THG
A60XN3718FSLP	60.00 x 37.50 x 18.00 1524 x 953 x 457	A49P32N	A49P32NG	49.16 x 32.00 1249 x 813	ARA6019THG
A72XN2718FSLP	72.00 x 27.00 x 18.00 1829 x 686 x 457	A61P21N	A61P21NG	61.16 x 21.50 1553 x 546	ARA7219THG
A72XN3718FSLP	72.00 x 37.50 x 18.00 1829 x 953 x 457	A61P32N	A61P32NG	61.16 x 32.00 1553 x 813	ARA7219THG
A72XN3724FSLP	72.00 x 37.50 x 24.00 1829 x 953 x 610	A61P32N	A61P32NG	61.16 x 32.00 1553 x 813	ARA7219THG
A84XN2718FSLP	84.00 x 27.00 x 18.00 2134 x 686 x 457	A73P21N	A73P21NG	73.16 x 21.50 1858 x 546	ARA8419THG
A84XN3724FSLP	84.00 x 37.50 x 24.00 2134 x 953 x 610	A73P32N	A73P32NG	73.16 x 32.00 1858 x 813	ARA8419THG

Purchase panels separately.

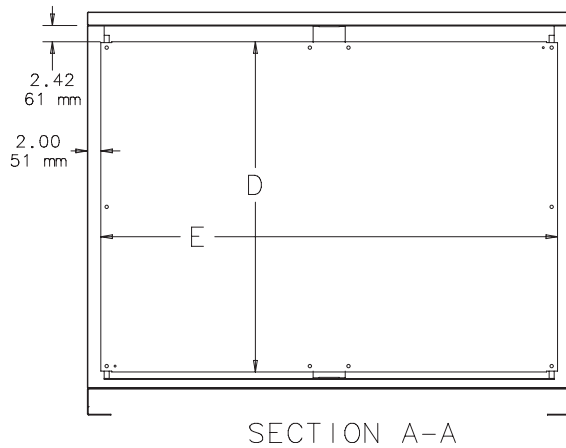
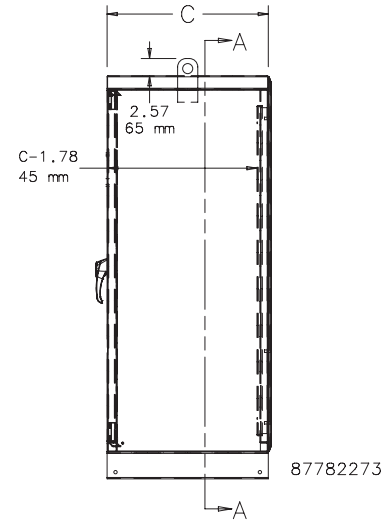
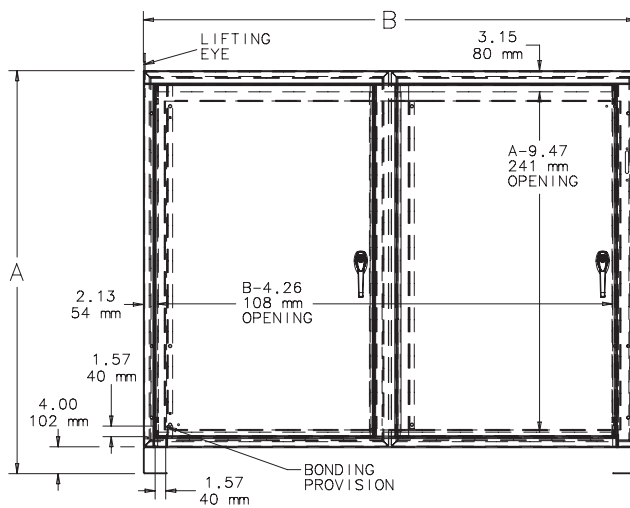


Free-Stand Disconnect Enclosures and Accessories

Standard Product Free-Stand Type 1 Large Two-Door Disconnect Enclosures

Catalog Number	AxBxC in./mm	Panel	Conductive Panel ¹	Panel Size D x E in./mm	Use Rack Angle
A60XN5312FSLP	60.00 x 53.50 x 12.00 1524 x 1359 x 305	A49P48N	A49P48NG	49.16 x 48.00 1249 x 1219	ARA6019THG
A60XN5318FSLP	60.00 x 53.50 x 18.00 1524 x 1359 x 457	A49P48N	A49P48NG	49.16 x 48.00 1249 x 1219	ARA6019THG
A60XN7324FSLP	60.00 x 73.50 x 24.00 1524 x 1867 x 610	A49P68N	A49P68NG	49.16 x 68.00 1249 x 1727	ARA6019THG
A72XN7318FSLP	72.00 x 73.50 x 18.00 1829 x 1867 x 457	A61P68N	A61P68NG	61.16 x 68.00 1553 x 1727	ARA7219THG
A72XN7324FSLP	72.00 x 73.50 x 24.00 1829 x 1867 x 610	A61P68N	A61P68NG	61.16 x 68.00 1553 x 1727	ARA7219THG
A84XN7318FSLP	84.00 x 73.50 x 18.00 2134 x 1867 x 457	A73P68N	A73P68NG	73.16 x 68.00 1858 x 1727	ARA8419THG
A84XN7324FSLP	84.00 x 73.50 x 24.00 2134 x 1867 x 610	A73P68N	A73P68NG	73.16 x 68.00 1858 x 1727	ARA8419THG

Purchase panels separately.



Free-Stand Disconnect Enclosures and Accessories

Disconnect Mounting Space

Disconnect is located 11.62 in. from outside top of enclosure. Wiring space is available when disconnect is installed in the enclosure.

See *Technical Information* section for wire bend space.

Refer to **NATIONAL ELECTRICAL CODE, 2005** article 430-10(b) for wiring space required for line side conductors to be connected to disconnect. **Verify your application to determine whether wiring space is adequate.**

Consult *Space Occupied by Disconnect* drawing to determine whether the disconnect device you are using will fit the enclosure size you have selected.

Gasket Kits

Apply self-adhesive strip gaskets for gasketed NEMA 1 solution. Each kit includes sufficient gasket for any one- or two-door enclosure. Choose kit by number of doors.

Bulletin: A38P

Catalog Number	Description
A38GSKT	For one-door enclosures
A38GSKT2	For two-door enclosures

PROLINE-DD Modular Enclosures and Accessories

PROLINE®-DD Disconnect Enclosure, Type 12



Application

For a modular disconnect system with application flexibility, choose a PROLINE®-DD Modular Enclosure. These two-door packages and their components are compatible with any of the standard flange-mounted disconnect switches and mechanisms described below.

Allen-Bradley

- Bulletin 1494V variable-depth flange-operated disconnect switches and circuit breaker mechanisms.
- Bulletin 140U flexible cable operating mechanisms for 140U molded case circuit breakers.

These enclosures do not accept Allen-Bradley Bulletin 1494F disconnect devices or Bulletin 1494D circuit breaker operators.

ABB Controls Disconnect switches up to and including 200 A, also operators for ABB circuit breakers up to 800 A.

Eaton Cutler-Hammer Variable-depth disconnect switches up to and including 200 A, operators for C-H Westinghouse circuit breakers up to 600 A and FLEX SHAFT™ handle mechanisms for circuit breakers.

General Electric Type TDA variable-depth operating mechanisms for disconnect switches up to and including 200 A as well as operator mechanisms or SPECTRAFLEX™ cable operators for circuit breakers up to 600 amp.

Siemens ITE MAX FLEX™ flange-mounted variable-depth operating handles for disconnect switches and circuit breakers as well as some fixed-depth operators for disconnect switches.

Schneider Square D Class 9422 disconnect switches up to and including 200 A, with variable-depth or cable mechanisms for 30, 60 or 100 A. Also circuit breakers with variable-depth operators or cable mechanisms up to 400 A.

Bulletin: P20DC



Industry Standards

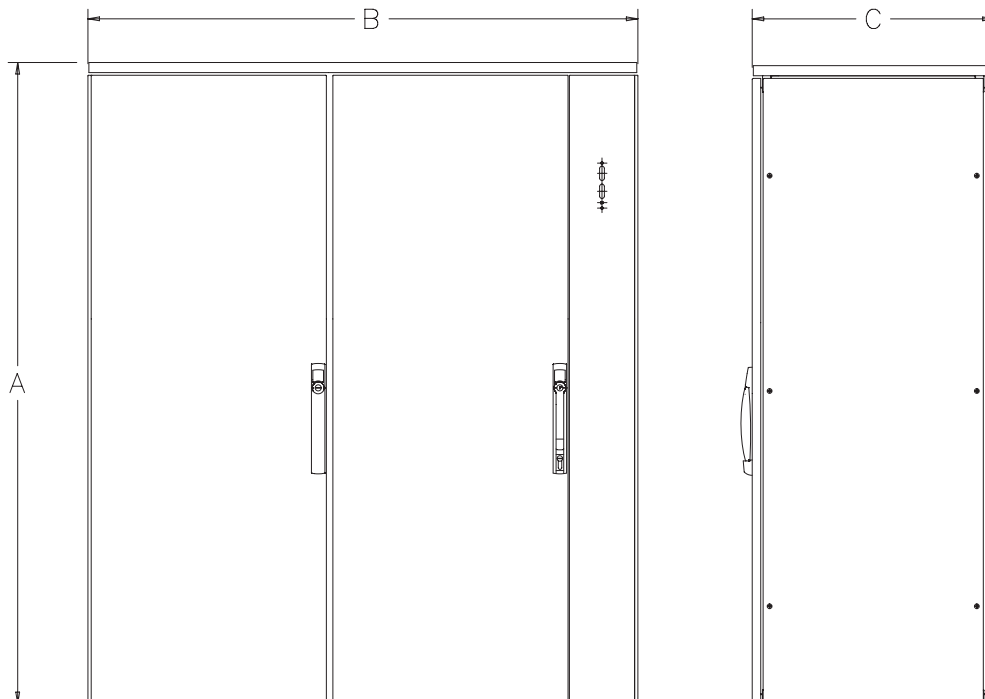
UL 508A Listed; Type 12; File Number E61997
cUL Listed per CSA C22.2 No. 94; Type 12; File No. E61997

NEMA/EEMAC Type 12
CSA File Number 42186: Type 12
VDE IP55
IEC 60529, IP55

Standard Product

Catalog Number	AxBxC in./mm	Nominal Size mm/in.
PTDDC20185	78.11 x 78.18 x 19.65 1984 x 1808 x 499	2000 x 1800 x 500
PTDDC20186	78.11 x 78.18 x 23.58 1984 x 1808 x 599	2000 x 1800 x 600

PROLINE-DD Modular Enclosure

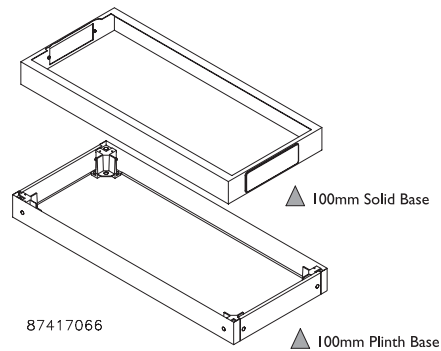
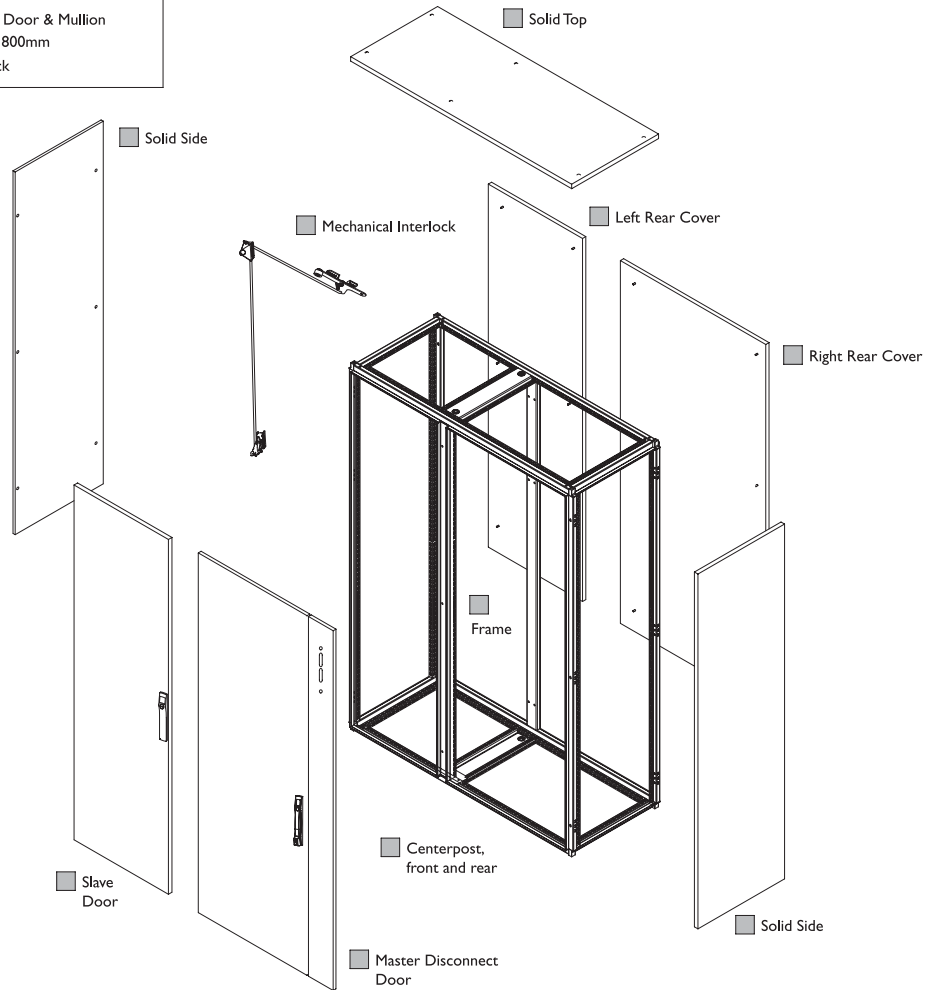


87798627

PROLINE-DD Modular Enclosures and Accessories

- Standard Configuration**
- Frame with removable centerpost at front and fixed centerpost at rear
 - Solid Top
 - Solid Sides
 - Left Rear Cover, 2000 x 800mm
 - Right Rear Cover, 2000 x 1000mm
 - Master Disconnect Door & Mullion
 - Slave Door, 2000 x 800mm
 - Mechanical Interlock

- Optional Components**
- All optional components may be ordered separately. Components labeled **▲** may be included in an **▲** configuration.



PROLINE-DD Modular Enclosures and Accessories

Disconnect Mounting Space

Disconnects will occupy space on panel shown by dimensions E1, F1 and G1. Wiring space W1 is available when disconnect is installed in the enclosure.

See *Technical Information for E1 Spacing by Enclosure Height for various disconnect switch manufacturers.*

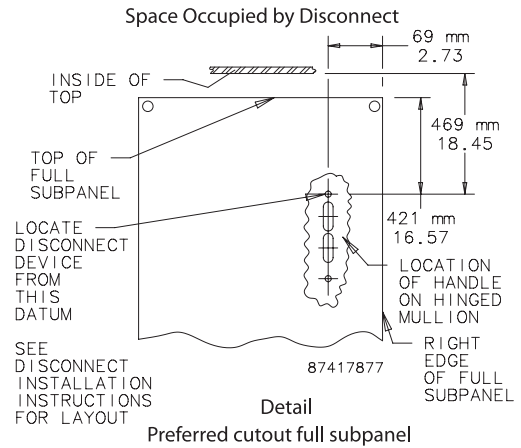
W1 = Wiring Space.

See *Technical Information chapter for wire bend space.*

Refer to **NATIONAL ELECTRICAL CODE, 2005** article 430-10(b) for wiring space required for line side conductors to be connected to disconnect.

Verify your application to determine whether wiring space is adequate.

Consult *Space Occupied by Disconnect* drawing to determine whether the disconnect device you are using will fit the enclosure size you have selected.

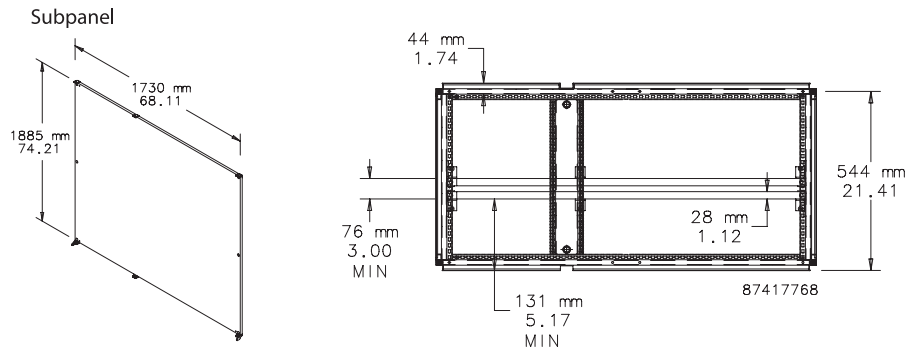


PROLINE®-DD Modular Subpanel

The Subpanel mounts inside the PROLINE-DD Modular Enclosures. The subpanel size is 2000 x 1800 mm and is constructed of 10 gauge steel. It also has glide blocks to facilitate handling and installation (hardware is included).

Bulletin: P20

Catalog Number	AxB in./mm	Type	Used with Assembled Enclosure 1	Used with Assembled Enclosure 2
PPF2018	78.70 x 70.90 2000 x 1800	Subpanel White Painted Finish	PTDDC20185	PTDDC20186
PPF2018G	78.70 x 70.90 2000 x 1800	Subpanel Conductive Finish	PTDDC20185	PTDDC20186

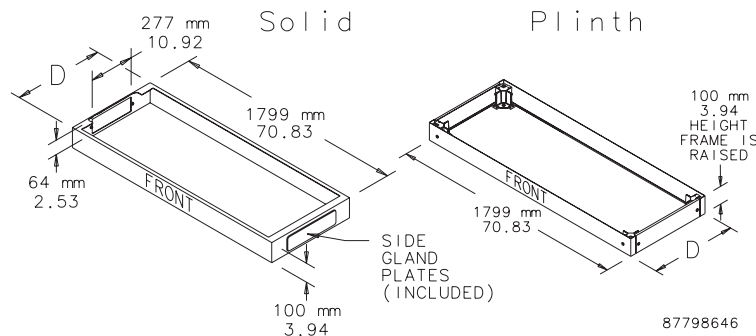


PROLINE®-DD Modular 100-mm Bases

These 100-mm solid and plinth bases mount to PROLINE-DD Modular Enclosures. Gland plates are necessary to maintain Type 12 rating when using plinth base.

Bulletin: P20

Catalog Number	Type	Used with Assembly	D (mm)	D (in.)
PB1185	100-mm Solid Base	PTDDC20185	459	18.07
PB1186	100-mm Solid Base	PTDDC20186	559	22.01
PPB1186	100-mm Plinth Base	PTDDC20186	559	22.01



Free-Stand Preferred-Cutout Stainless Steel Disconnect Overview

Preferred-Cutout Overview



Application

Enclosures having the preferred cutout are sized for use with up to 200 A disconnect switches and up to 400A circuit breakers unless otherwise specified. The preferred cutout accepts the smaller operating handle whose mounting hole centers are 4.688 in. apart. Preferred cutouts are standard in mild steel wall-mount enclosures, modular enclosures and some select large mild steel enclosures. They are also present on all standard stainless steel offerings. Operator adapters for preferred cutouts must be ordered separately to be used with A21S, A28S4, WS2D and A4S enclosures.

Preferred cutouts are designed to house the following:

Allen-Bradley

- Bulletin 1494V disconnect switches with flange-mount variable-depth operating mechanisms and Bulletin 1494V flange-mount variable-depth operating mechanisms for circuit breakers
- Bulletin 140U flexible cable operating mechanisms for 140U molded case circuit breakers
- Bulletin 1494C cable-operated disconnect switches with flange-mount handles
- Bulletin 194RC cable-operated flange-mount handles for use with the NFPA 79 compliant 194R IEC rotary disconnect switches

Allen-Bradley Bulletin 1494V-R1, -R2 and -W2 operating handles and Allen-Bradley Bulletin 1494F disconnect devices or Bulletin 1494D circuit breaker operators will NOT fit these enclosures.

ABB Controls flange-mount variable-depth operating mechanisms for disconnect switches and circuit breakers. Also the cable version for circuit breakers.

Eaton Cutler-Hammer Type C361 flange-mount variable-depth operating mechanisms with disconnect switches and Type C371 flange-mount variable-depth operating mechanisms for circuit breakers.

General Electric Type STDA flange handles and variable-depth operating mechanisms for disconnect switches and circuit breakers. Also SPECTRAFLEX™ cable operators for circuit breakers.

Siemens ITE MAX FLEX® flange-mount variable-depth operating handles for circuit breakers.

Schneider Square D® Class 9422 disconnect switches with flange-mount variable-depth operating mechanisms or cable mechanisms and Class 9422 flange-mount variable-depth operating mechanisms or cable mechanisms for circuit breakers.

These enclosures will NOT accept Square D Class 9422 bracket-mounted disconnect devices, Class 9422TG1 or TG2 devices.

Ordering

Order the disconnect switch, operating handle and operating mechanism separately. See Technical Information in the Hoffman Specifier's Guide for wire bend space available when various manufacturers' disconnect switches are installed or Disconnect Ordering Information at hoffmanonline.com for disconnect ordering guidelines and wire bend space available. Check the enclosure dimension drawings to verify the chosen disconnect switch will fit in the enclosure.

All 24.12-in. (613-mm) and deeper enclosures using short connecting rods by the following manufacturers require a Hoffman platform assembly, catalog number ADSCPA, purchased separately.

- ABB Controls flange-operated devices
- Eaton Cutler-Hammer C361 devices
- Eaton Cutler-Hammer C371 mechanisms which use C371E, F, G, K operating mechanism (see Disconnect Enclosure Accessories)
- General Electric Type TDA devices (see Disconnect Enclosure Accessories)
- Schneider Square D® Class 9422 devices (see Disconnect Enclosure Accessories)

The platform assembly can be omitted if long connecting rods are ordered in place of short connecting rods.

- For Eaton Cutler-Hammer operating mechanisms C371E and C371F order catalog number C371CS1 connecting rod. For C371G and C371K order catalog number C371CS2 connecting rod.
- For General Electric devices, order catalog number TDSR extended length drive rod
- For Schneider Square D devices, order catalog number 9422-R2 extra long operating rod(s). Some devices require two rods. Consult factory for space occupied on panel when platform is used.

Two-Door Stainless Steel Enclosures for Flange-Mounted Disconnects, Type 4X



Specifications

- Manufactured from 12 gauge Type 304 stainless steel
- Seams continuously welded and ground smooth
- Body stiffeners in larger enclosures for extra rigidity
- Body flange trough collar excludes liquids and contaminants
- Removable centerposts permit easy panel installation
- Heavy-gauge continuous hinges
- Rollers on ends of latch rods for easier door closing
- Heavy-duty lifting eyes are Type 316 stainless steel
- Data pocket is high-impact thermoplastic
- 15-in. floor stands are welded to enclosure
- Seamless foam-in-place gasket provides oil-tight and dust-tight seal against contaminants
- Panel supports
- Collar studs provided for mounting optional panels
- Heavy-duty 3-point latching mechanism operated by Type 316 stainless steel POWERGLIDE® padlocking handle on all doors
- Masterdoor is right-hand door on X enclosures and left-hand door on CPX enclosures
- Type 316 stainless steel handle with defeater on master door
- Type 316 stainless steel handle (non-defeater) on slave door
- Mechanical interlock operated by master door prevents slave door from being opened first; doors can be closed in any order
- Preferred cutout on right flange provides mounting for most disconnect operators
- Bonding provision on doors; grounding studs on body
- Accessory mounting channel provided in enclosure top

Finish

Stainless steel enclosures are unpainted. Sides and body have smooth #4 brushed finish. Optional mild steel panels are painted white. Optional conductive panels are available.

Accessories

See also Accessories.

- Blank Adapter Plates, Mild Steel
- INTERSAFE® Data Interface Ports, Type 4/4X/12
- Operator Adapters for Universal Cutouts
- PANELITE™ Enclosure Lights Overview
- Panels for Type 3R, 4, 4X, 12 and 13 Enclosures
- Steel and Stainless Steel Window Kits

Modification and Customization

Hoffman excels at modifying and customizing products to your specifications. Contact your local Hoffman sales office or distributor for complete information.

Bulletin: A21S4

Industry Standards

UL 508A Listed; Type 3R, 4, 4X, 12; File No. E61997
cUL Listed per CSA C22.2 No. 94; Type 3R, 4, 4X, 12; File No. E61997

NEMA/EEMAC Type 3R, 4, 4X, 12
CSA File No. 42186: Type 4, 4X, 12
IEC 60529, IP66
Meets NEMA Type 3RX requirements

Standard Product **Two-Door with Provision for Disconnect Operator on Right Flange**

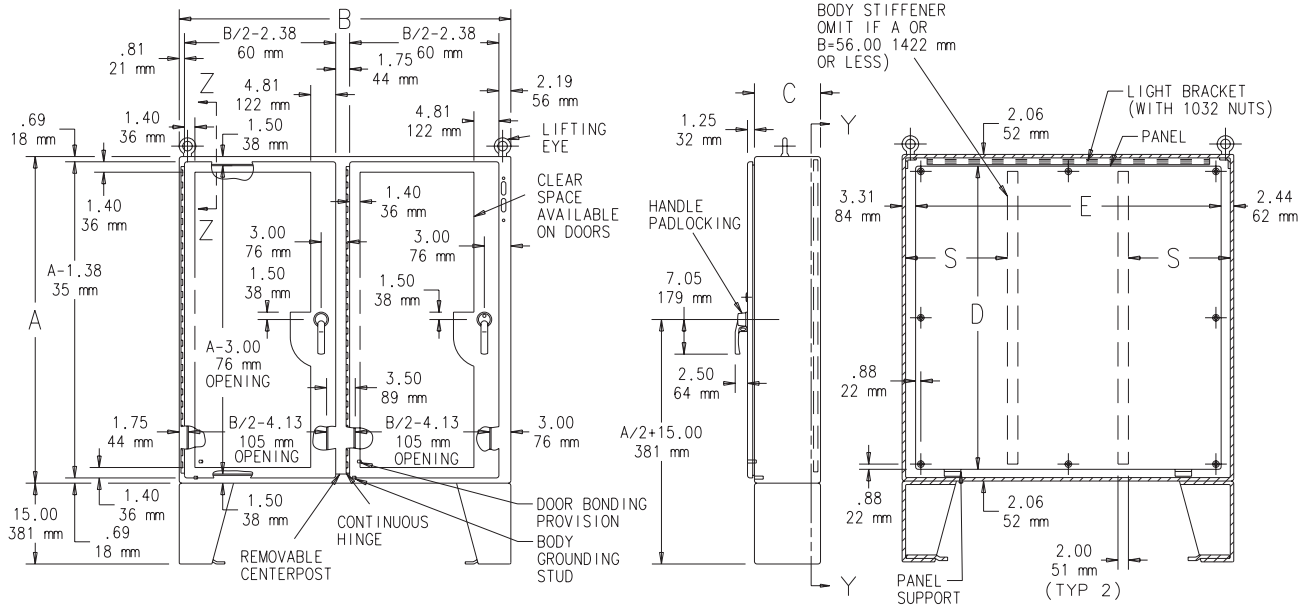
Catalog Number	AxBxC in./mm	Panel	Conductive Panel	Panel Size D x E in./mm
A60X4912SSLPN4	60.12 x 49.75 x 12.12	A60P48	A60P48G	56.00 x 44.00
	1527 x 1264 x 308			1422 x 1118
A60X6112SSLPN4	60.12 x 61.75 x 12.12	A60P60	A60P60G	56.00 x 56.00
	1527 x 1568 x 308			1422 x 1422
A72X6112SSLPN4	72.12 x 61.75 x 12.12	A72P60	A72P60G	68.00 x 56.00
	1832 x 1568 x 308			1727 x 1422
A72X7312SSLPN4	72.12 x 73.75 x 12.12	A72P72	A72P72G	68.00 x 68.00
	1832 x 1873 x 308			1727 x 1727
A60X4918SSLPN4	60.12 x 49.75 x 18.12	A60P48	A60P48G	56.00 x 44.00
	1527 x 1264 x 460			1422 x 1118
A60X6118SSLPN4	60.12 x 61.75 x 18.12	A60P60	A60P60G	56.00 x 56.00
	1527 x 1568 x 460			1422 x 1422
A72X6118SSLPN4	72.12 x 61.75 x 18.12	A72P60	A72P60G	68.00 x 56.00
	1832 x 1568 x 460			1727 x 1422
A72X7318SSLPN4	72.12 x 73.75 x 18.12	A72P72	A72P72G	68.00 x 68.00
	1832 x 1873 x 460			1727 x 1727
A72X7324SSLPN4	72.12 x 73.75 x 24.12	A72P72	A72P72G	68.00 x 68.00
	1832 x 1873 x 613			1727 x 1727

Purchase panels separately.

All 24.12-in. (613 mm) and deeper enclosures using short connecting rods in the following models require a Hoffman platform assembly, catalog number ADSCPA, purchased separately. • ABB Controls flange-operated devices • Eaton Cutler-Hammer C361 devices • Eaton Cutler-Hammer C371 mechanisms which use C371E, F, G, K operating mechanism • General Electric Type TDA devices (see next paragraph for option) • Schneider Square D Class 9422 devices (see next paragraph for option)

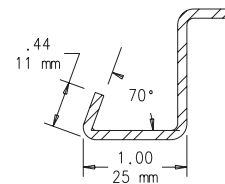
The platform assembly can be omitted if long connecting rods are ordered in place of short connecting rods. • For Eaton Cutler-Hammer operating mechanisms C371E and C371F order catalog number C371CS1 connecting rod. For C371G and C371K order catalog number C371CS2 connecting rod. • For General Electric devices, order catalog number TDSR extended length drive rod • For Schneider Square D devices, order catalog number 9422-R2 extra long operating rod(s). Some devices require two rods. Consult factory for space occupied on panel when platform is used.

Disconnect Operator on the Right Flange



- NOTES: 1. Optional panels are 10 gauge steel. Right door is master door.
2. Right door includes removable 12.00 x 12.00 (305mm x 305mm) data pocket.

87568837



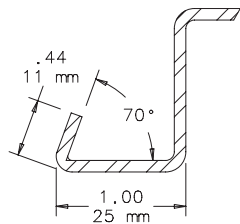
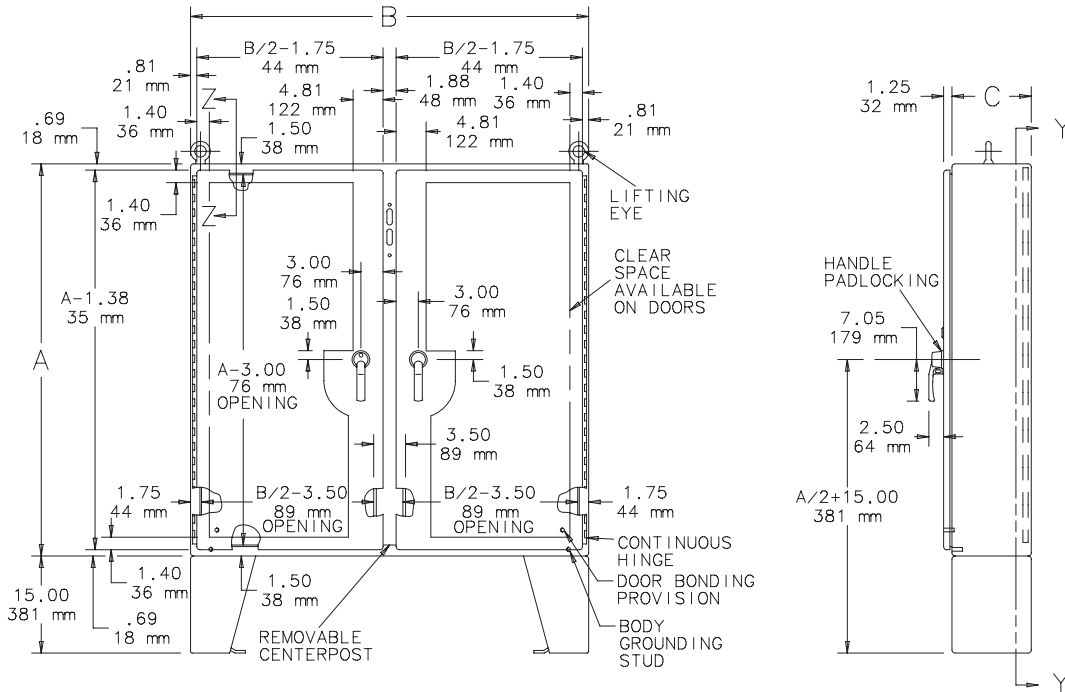
SECTION Z-Z

Standard Product **Two-Door with Provision for Disconnect Operator on Centerpost**

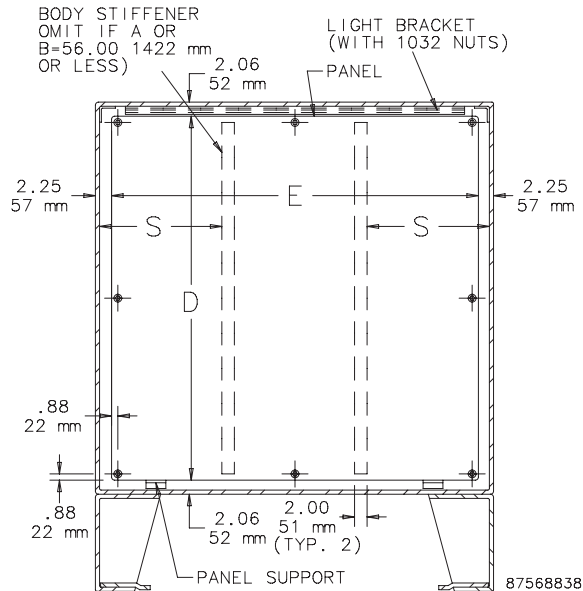
Catalog Number	AxBxCin./mm	Panel	Conductive Panel	Panel Size D x E in./mm
A60CPX4812SSLPN4	60.12 x 48.50 x 12.12 1527 x 1232 x 308	A60P48	A60P48G	56.00 x 44.00 1422 x 1118
A60CPX6012SSLPN4	60.12 x 60.50 x 12.12 1527 x 1537 x 308	A60P60	A60P60G	56.00 x 56.00 1422 x 1422
A72CPX7212SSLPN4	72.12 x 72.50 x 12.12 1832 x 1842 x 308	A72P72	A72P72G	68.00 x 68.00 1727 x 1727
A72CPX7218SSLPN4	72.12 x 72.50 x 18.12 1832 x 1842 x 460	A72P72	A72P72G	68.00 x 68.00 1727 x 1727

Purchase panels separately.

Disconnect Operator on the Centerpost Flange



SECTION Z-Z



SECTION Y-Y

NOTES:

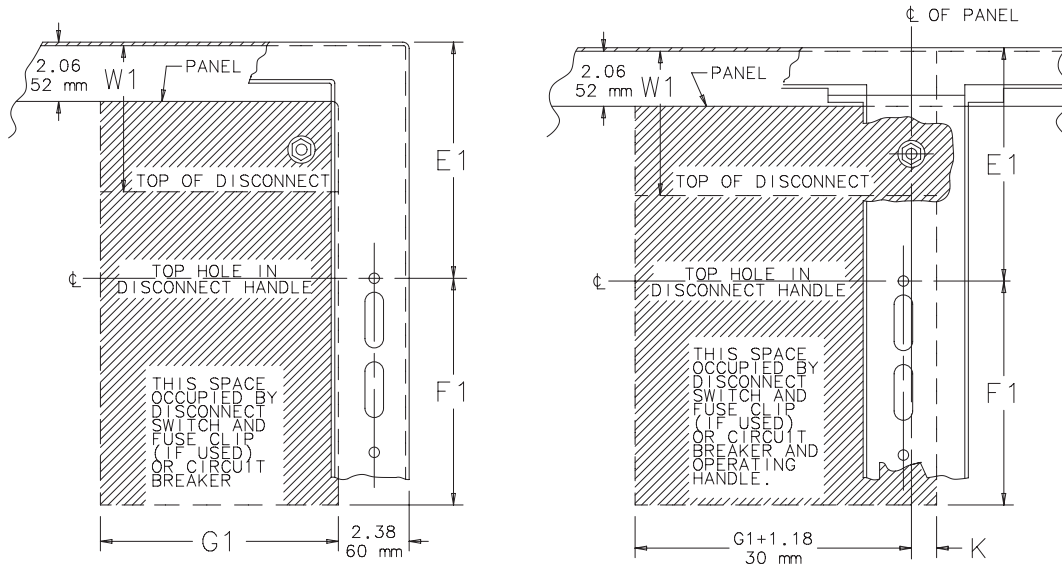
- Optional panels are 10 gauge steel. Left door is master door.
- Right door includes removable 12.00 x 12.00 (305mm x 305mm) data pocket.

Disconnect Mounting Space

Disconnects will occupy space on panel shown by dimensions E1, F1, G1 and K. Wiring Space W1 is available when disconnect is installed in the enclosure. See the Technical Information chapter for E1 Spacing by Enclosure Height for various disconnect switch manufacturers.

Refer to *National Electrical Code*®, 2005 article 430-10(b) for wiring space required for line side conductors to be connected to disconnect.

Verify your application to determine if wiring space is adequate.



Consult disconnect manufacturer or see Disconnect Ordering Information at hoffmanonline.com under Technical Resources for F1 and G1 dimensions of various brands of disconnects.

11C59193



Disconnect: Free-Stand Stainless Steel Preferred-Cutout Disconnect Enclosures
Stainless Steel Two-Door Disconnect Enclosure

Notes

General Purpose Stainless Steel Two-Door Floor-Mount Disconnect Enclosures, Type 4X



petroleum and chemical processing industries. Designed to house the most popular disconnect switches and circuit breakers.

Features

- Seams continuously welded and ground smooth
- Seamless foam-in-place one-piece gasket provides water-, oil- and dust-tight seal against contaminants
- Heavy-duty three-point latching mechanism on each door, operated by Hoffman's black die-cast POWERGLIDE® padlocking handle. Black die-cast quarter-turn latches with slotted insert provided on the top and bottom of each door.
- Master door is far right-hand door on all enclosures
- Master door handle provided with integral screwdriver defeater
- Mechanical interlock activated by master door prevents slave door from being opened first. Doors can be closed in any order.
- Concealed hinges provide 180-degree door opening and allow easy door removal and cleaning of hinge area
- Bolt-on 15-in.-high stainless steel floor stands
- Heavy-duty Type 316L stainless steel lifting eyes
- Collar studs on inside of enclosure back for optional mounting panels
- Removable centerpost for easy panel installation
- Bonding provisions on doors and ground studs on body
- No interior stiffeners to obstruct component mounting
- Provisions for mounting optional fluorescent light packages

Specifications

- 14 gauge doors and 12 gauge body from Type 304 stainless steel
- Flange trough collar on all four sides of door openings
- Data pocket is high-impact plastic attached with pressure-sensitive adhesive
- Preferred cutout on right-hand flange provides mounting for most disconnect operators

Finish

Stainless steel enclosures are unpainted. External surfaces of front, sides, top and bottom have a #4 finish. Interior welds are not finished. Optional panels have white or conductive finish.

Accessories

See also Accessories.
 Electric Heater
 Electrical Interlocks
 PANELITE™ Enclosure Lights Overview
 Panels for Type 3R, 4, 4X, 12 and 13 Enclosures
 Steel and Stainless Steel Window Kits

Modification and Customization

Hoffman excels at modifying and customizing products to your specifications. Contact your local Hoffman sales office or distributor for complete information.

Bulletin: A452

Industry Standards

UL508A Listed; Type 3R, 4, 4X, 12; File No. E61997
 cUL Listed per CSA C22.2 No. 94; Type 3R, 4, 4X, 12; File No. E61997

NEMA/EEMAC: Type 3R, 4, 4X, 12
 IEC 60529, IP66
 Meets NEMA Type 3RX requirements

Application

This disconnect enclosure is designed to house electronic controls and components. It provides protection from noncorrosive or mildly corrosive elements in both indoor and outdoor environments. Typical applications are in the food and beverage, packaging, water,

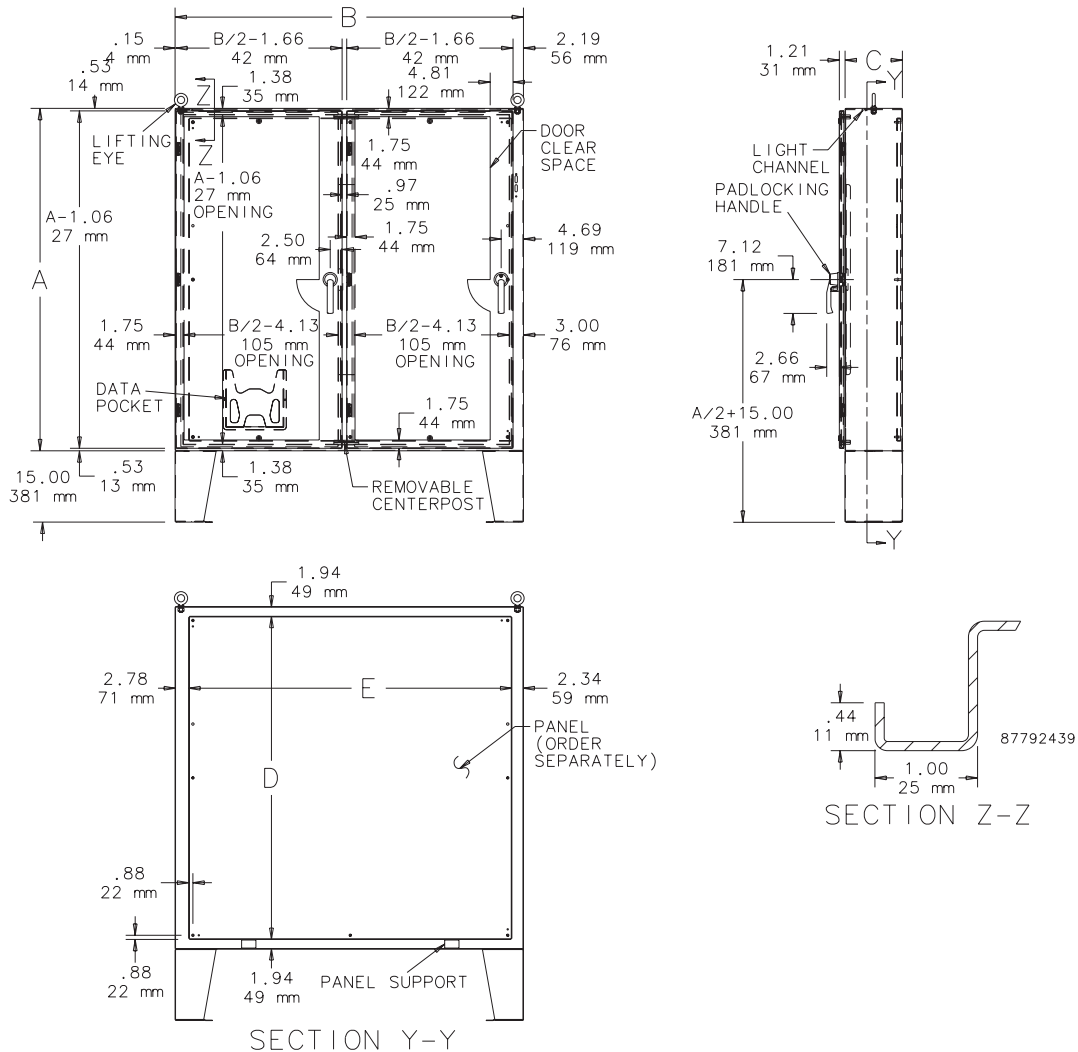
Standard Product

Catalog Number	AxBxC in./mm	Panel	Conductive Panel	Panel Size D x E in./mm	No. of Quarter-turn Latches
A60HX4912SSLPQT	60.06 x 49.31 x 12.06 1526 x 1253 x 306	A60P48	A60P48G	56.00 x 44.00 1422 x 1118	4
A60HX4918SSLPQT	60.06 x 49.31 x 18.06 1526 x 1253 x 459	A60P48	A60P48G	56.00 x 44.00 1422 x 1118	4
A60HX6112SSLPQT	60.06 x 61.31 x 12.06 1526 x 1557 x 306	A60P60	A60P60G	56.00 x 56.00 1422 x 1422	4
A60HX6118SSLPQT	60.06 x 61.31 x 18.06 1526 x 1557 x 459	A60P60	A60P60G	56.00 x 56.00 1422 x 1422	4
A72HX6112SSLPQT	72.06 x 61.31 x 12.06 1830 x 1557 x 306	A72P60	A72P60G	68.00 x 56.00 1727 x 1422	4
A72HX6118SSLPQT	72.06 x 61.31 x 18.06 1830 x 1557 x 459	A72P60	A72P60G	68.00 x 56.00 1727 x 1422	4
A72HX7312SSLPQT	72.06 x 73.31 x 12.06 1830 x 1862 x 306	A72P72	A72P72G	68.00 x 68.00 1727 x 1727	4
A72HX7318SSLPQT	72.06 x 73.31 x 18.06 1830 x 1862 x 459	A72P72	A72P72G	68.00 x 68.00 1727 x 1727	4
A72HX7324SSLPQT	72.06 x 73.31 x 24.06 1830 x 1862 x 611	A72P72	A72P72G	68.00 x 68.00 1727 x 1727	4

Purchase panels separately

All 24.12-in. (613-mm) and deeper enclosures using short connecting rods in the following models require a Hoffman platform assembly, catalog number ADSCPA, purchased separately. • ABB Controls flange-operated devices • Eaton Cutler-Hammer C361 devices • Eaton Cutler-Hammer C371 mechanisms which use C371E, F, G, K operating mechanism • General Electric Type TDA devices (see next paragraph for option) • Schneider Square D Class 9422 devices (see next paragraph for option)

The platform assembly can be omitted if long connecting rods are ordered in place of short connecting rods. • For Eaton Cutler-Hammer operating mechanisms C371E and C371F order catalog number C371CS1 connecting rod. For C371G and C371K order catalog number C371CS2 connecting rod. • For General Electric devices, order catalog number TDSR extended length drive rod • For Schneider Square D devices, order catalog number 9422-R2 extra long operating rod(s). Some devices require two rods. Consult factory for space occupied on panel when platform is used.



General Purpose Single-Door Free-Stand Disconnect, Type 4X



Industry Standards

UL508A Listed; Type 3R, 4, 4X, 12; File No. E61997
 cUL Listed per CSA C22.2 No. 94; Type 3R, 4, 4X, 12; File No. E61997

NEMA/EEMAC: Type 3R, 4, 4X, 12
 IEC 60529, IP66
 Meets NEMA Type 3RX

Application

This single door stainless steel enclosure with quarter-turn latches is designed to house electronic controls and components. It provides protection from non-corrosive or mildly corrosive elements in both indoor and outdoor environments. Typical applications are in the pharmaceutical, food and beverage, packaging, water, petroleum and chemical processing industries.

Specifications

- Type 304 stainless steel 14 gauge doors and body, and 14 or 12 gauge back
- Seams continuously welded and ground smooth
- Flange trough collar on all four sides of door openings
- Seamless foam-in-place one-piece gasket provides water-, oil- and dust-tight seal against contaminants
- Heavy-duty three-point latching mechanism on each door, operated by Hoffman's black die-cast POWERGLIDE® padlocking handle. Black die-cast quarter-turn latches with slotted insert provided on the top and bottom of each door.
- Black Die-Cast POWERGLIDE handle has integral screwdriver defeater

- Collar studs on inside of enclosure back for optional mounting panels
- Concealed stainless steel hinges provide **180-degree door opening** and allow easy door removal and cleaning of hinge area
- Heavy-duty Type 316L stainless steel lifting eyes
- Bonding provision on door; grounding stud on body
- High-impact plastic Data Pocket kit included with enclosure
- Accessory mounting channel provided in enclosure top

Finish

Stainless steel enclosures are unpainted. External surfaces of front, sides, top and bottom have a #4 finish. Interior welds are not finished. Optional mild steel back panels are painted white. Optional conductive back panels are available.

Accessories

See also Accessories.
 Heaters
 PANELITE™ Enclosure Lights Overview
 Panel Support Kit
 Panels for Type 3R, 4,4X, 12 and 13 Enclosures
 Stainless Steel Window Kits

Modification and Customization

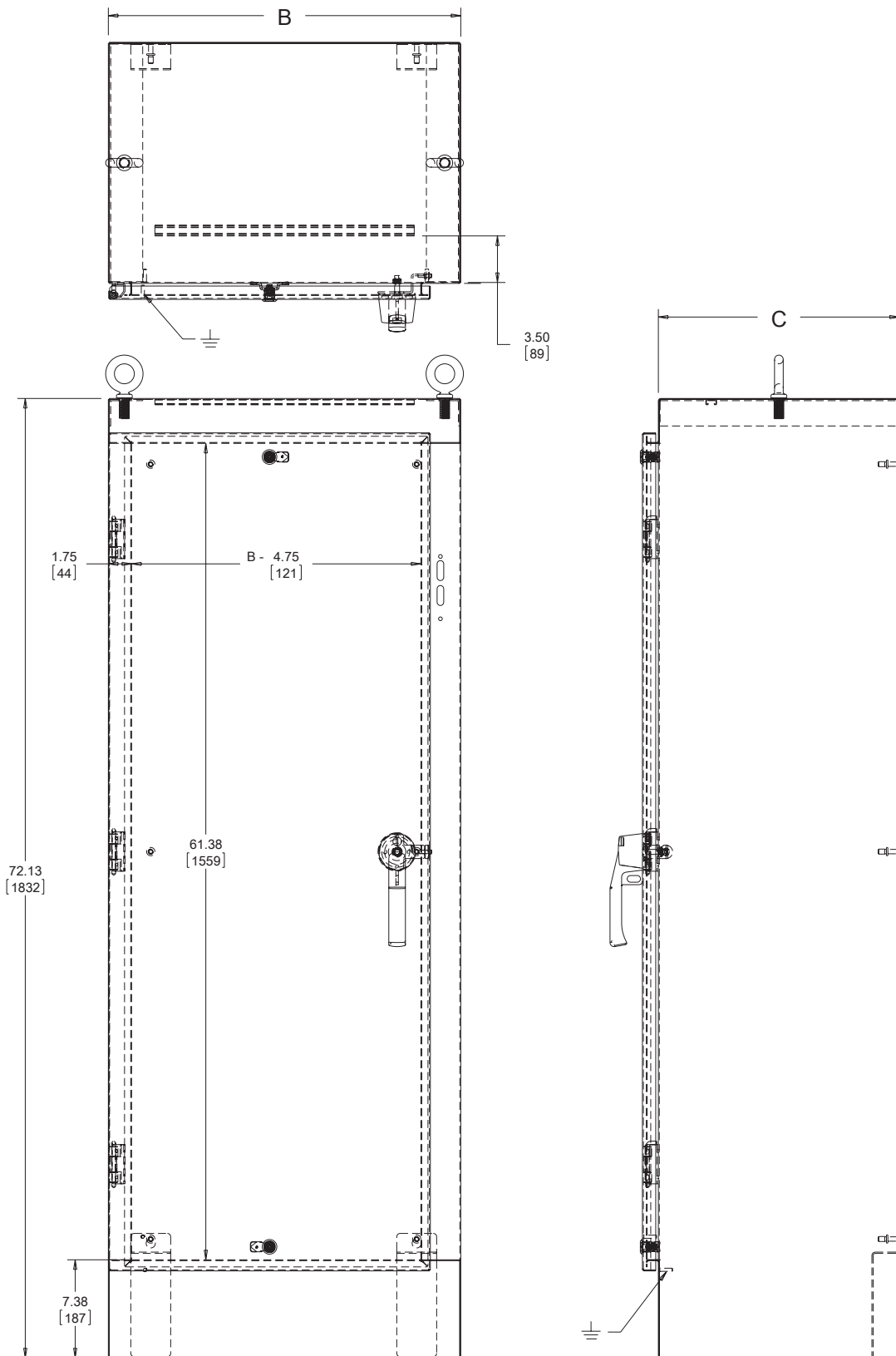
Hoffman excels at modifying and customizing products to your specifications. Contact your local Hoffman sales office or distributor for complete information.

Bulletin: A30S4

Standard Product

Catalog Number	AxBxC in./mm	Panel	Conductive Panel	Panel Size D x E in./mm
A72HXS2718SSLPQT	72.13 x 26.50 x 18.13 1832 x 673 x 461	A72PM28	A72PM28G	60.00 x 21.75 1524 x 552
A72HXS3224SSLPQT	72.13 x 32.50 x 24.12 1832 x 826 x 613	A72PM34	A72PM34G	60.00 x 27.75 1524 x 705
A72HXS3924SSLPQT	72.13 x 38.50 x 24.15 1832 x 978 x 613	A72PM40	A72PM40G	60.00 x 33.75 1524 x 857

Disconnect: Free-Stand Stainless Steel Preferred-Cutout Disconnect Enclosures
Stainless Steel General Purpose Disconnect Enclosures



89061901

Disconnect Mounting Space

Disconnects will occupy space on panel shown by dimensions E1, F1, G1 and K. Wiring Space W1 is available when disconnect is installed in the enclosure.

See the Technical Information chapter for E1 Spacing by Enclosure Height for various disconnect switch manufacturers.

Refer to National Electrical Code®, 2005 article 430-10(b) for wiring space required for line side conductors to be connected to disconnect.

Verify your application to determine if wiring space is adequate.

All 24.12-in. (613-mm) and deeper enclosures using short connecting rods by the following manufacturers require a Hoffman platform assembly, catalog number ADSCPA, purchased separately.

- ABB Controls flange-operated devices
- Eaton Cutler-Hammer C361 devices
- Eaton Cutler-Hammer C371 mechanisms which use C371E, F, G, K operating mechanism (see Disconnect Enclosure Accessories)
- General Electric Type TDA devices (see Disconnect Enclosure Accessories)
- Schneider Square D® Class 9422 devices (see Disconnect Enclosure Accessories)

The platform assembly can be omitted if long connecting rods are ordered in place of short connecting rods.

- For Eaton Cutler-Hammer operating mechanisms C371E and C371F order catalog number C371CS1 connecting rod. For C371G and C371K order catalog number C371CS2 connecting rod.
- For General Electric devices, order catalog number TDSR extended length drive rod
- For Schneider Square D devices, order catalog number 9422-R2 extra long operating rod(s). Some devices require two rods.

Consult factory for space occupied on panel when platform is used.

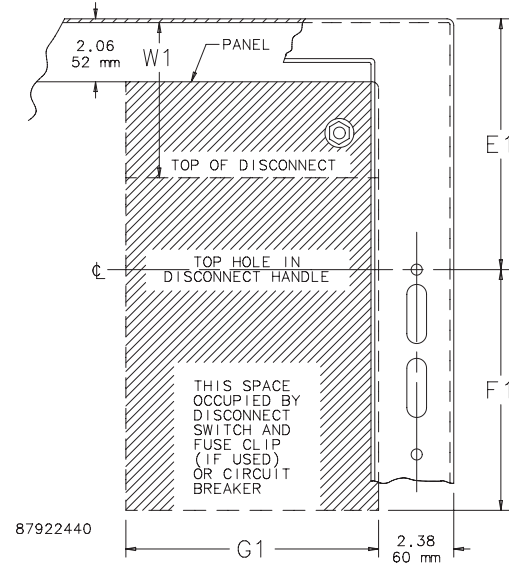
Be sure to match the disconnect device you are using with the correct enclosure size.

A Complete Assembly Consists of:

1. An enclosure
2. A panel
3. A disconnect device.

Consult the Technical Information chapter of this catalog for wire bend information and hoffmanonline.com for disconnect manufacturer information.

Disconnect switch (or circuit breakers), operating handle and operating mechanism are not furnished with enclosure.



Consult disconnect manufacturer or see Disconnect Ordering Information at hoffmanonline.com under Technical Resources for F1 and G1 dimensions of various brands of disconnects.



**Disconnect: Free-Stand Stainless Steel Preferred-Cutout Disconnect Enclosures
Stainless Steel General Purpose Disconnect Enclosures**

Notes

Stainless Steel Heavy-Duty Free-Stand Enclosures for Flange-Mount Disconnects, Type 4X



Application

This disconnect enclosure is designed to house electronic controls and components. It provides protection from noncorrosive or mildly corrosive elements in both indoor and outdoor environments. Typical applications are in the food and beverage, packaging, water, petroleum and chemical processing industries. Designed to house the most popular disconnect switches and circuit breakers.

Specifications

- Manufactured from 12 gauge Type 304 stainless steel
- Seams continuously welded and ground smooth
- Body stiffeners in larger enclosures for extra rigidity
- Body flange trough collar excludes liquids and contaminants
- Heavy-duty lifting eyes anchor into reinforced top
- Removable centerposts permit easy panel installation
- Heavy-gauge continuous hinges
- Heavy-duty 3-point latching mechanism operated by Type 316L stainless steel POWERGLIDE® padlocking handle on all doors
- Ends of latch rods have rollers for easier door closing
- Panel supports
- Data pocket is high-impact thermoplastic
- Seamless foam-in-place gasket provides oil-tight and dust-tight seal against contaminants
- Removable 10 gauge steel panels mount on collar studs
- Master door is far right-hand door on all enclosures
- Type 316 stainless steel handle with defeater on master door
- Type 316 stainless steel handle (non-defeater) on slave door
- Mechanical interlock activated by master door prevents slave doors from being opened first. Doors can be closed in any order.
- Preferred cutout on right flange provides mounting for most disconnect operators
- Bonding provision on doors; grounding studs on body
- Accessory mounting channel provided in enclosure top

Industry Standards

UL 508A Listed 508; Type 3R, 4, 4X, 12; File No. E61997
 cUL Listed per CSA C22.2 No. 94; Type 3R, 4, 4X, 12; File No. E61997

NEMA/EEMAC Type 3R, Type 4, 4X, 12
 CSA File No. 42186: Type 4, 4X, 12
 IEC 60529, IP66
 Meets NEMA Type 3RX requirements

Finish

Stainless steel enclosures are unpainted. Sides and body have smooth #4 brushed finish. White mild steel panels are furnished with enclosure. Optional conductive panels are available.

Accessories

See also Accessories.
 Electric Heater
 Compact Cooling Fans
 Floor Stand Kit
 PANELITE™ Enclosure Lights Overview
 Operator Adapters for Preferred Cutouts
An operator adapter for a preferred cutout must be ordered separately.

Modification and Customization

Hoffman excels at modifying and customizing products to your specifications. Contact your local Hoffman sales office or distributor for complete information.

Bulletin: A28S4

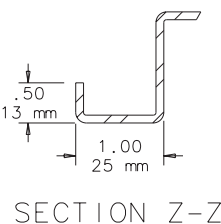
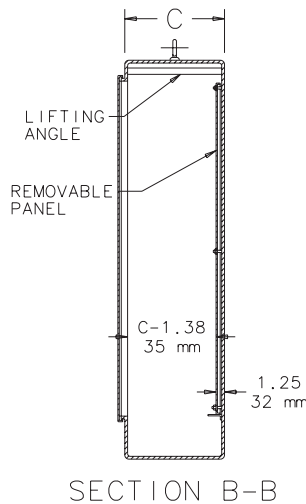
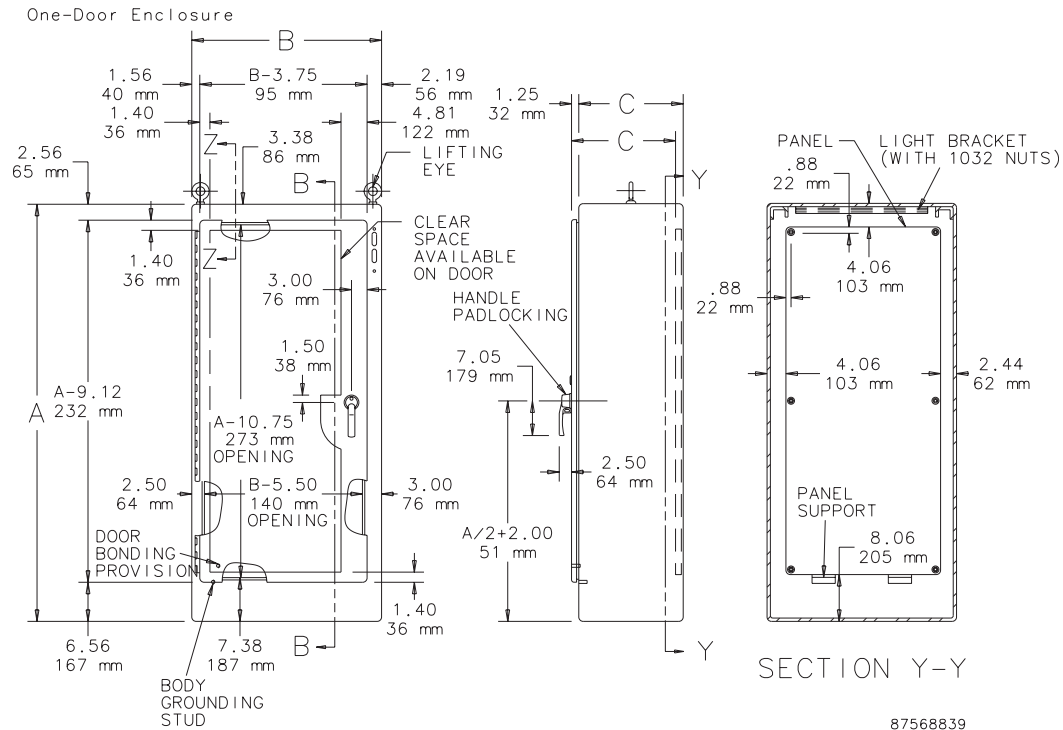
Standard Product One-Door Enclosures

Catalog Number	AxBxC in.	AxBxC mm	Panel	Conductive Panel	Panel Size (in.)	Panel Size (mm)
A72XM2818SSN4	72.12 x 28.25 x 18.12	1832 x 718 x 460	A72PM28	A72PM28G	60.00 x 21.75	1524 x 552
A72XM3418SSN4	72.12 x 34.25 x 18.12	1832 x 870 x 460	A72PM34	A72PM34G	60.00 x 27.75	1524 x 705
A72XM4018SSN4	72.12 x 40.25 x 18.12	1832 x 1022 x 460	A72PM40	A72PM40G	60.00 x 33.75	1524 x 857
A84XM4018SSN4	84.12 x 40.25 x 18.12	2137 x 1022 x 460	A84PM40	A84PM40G	72.00 x 33.75	1829 x 857
A90XM4018SSN4	90.12 x 40.25 x 18.12	2289 x 1022 x 460	A90PM40	A90PM40G	78.00 x 33.75	1981 x 857
A90XM4020SSN4	90.12 x 40.25 x 20.12	2289 x 1022 x 511	A90PM40	A90PM40G	78.00 x 33.75	1981 x 857
A84XM4024SSN4	84.12 x 40.25 x 24.12	2137 x 1022 x 613	A84PM40	A84PM40G	72.00 x 33.75	1829 x 857
A90XM4024SSN4	90.12 x 40.25 x 24.12	2289 x 1022 x 613	A90PM40	A90PM40G	78.00 x 33.75	1981 x 857

White mild steel panels are furnished with enclosure. Purchase conductive panels separately.

All 24.12-in. (613-mm) and deeper enclosures using short connecting rods in the following models require a Hoffman platform assembly, catalog number ADSCPA, purchased separately. • ABB Controls flange-operated devices • Cutler-Hammer C361 devices • Cutler-Hammer C371 mechanisms which use C371E, F, G, K operating mechanism • General Electric Type TDA devices (see next paragraph for option) • Square D Class 9422 devices (see next paragraph for option)

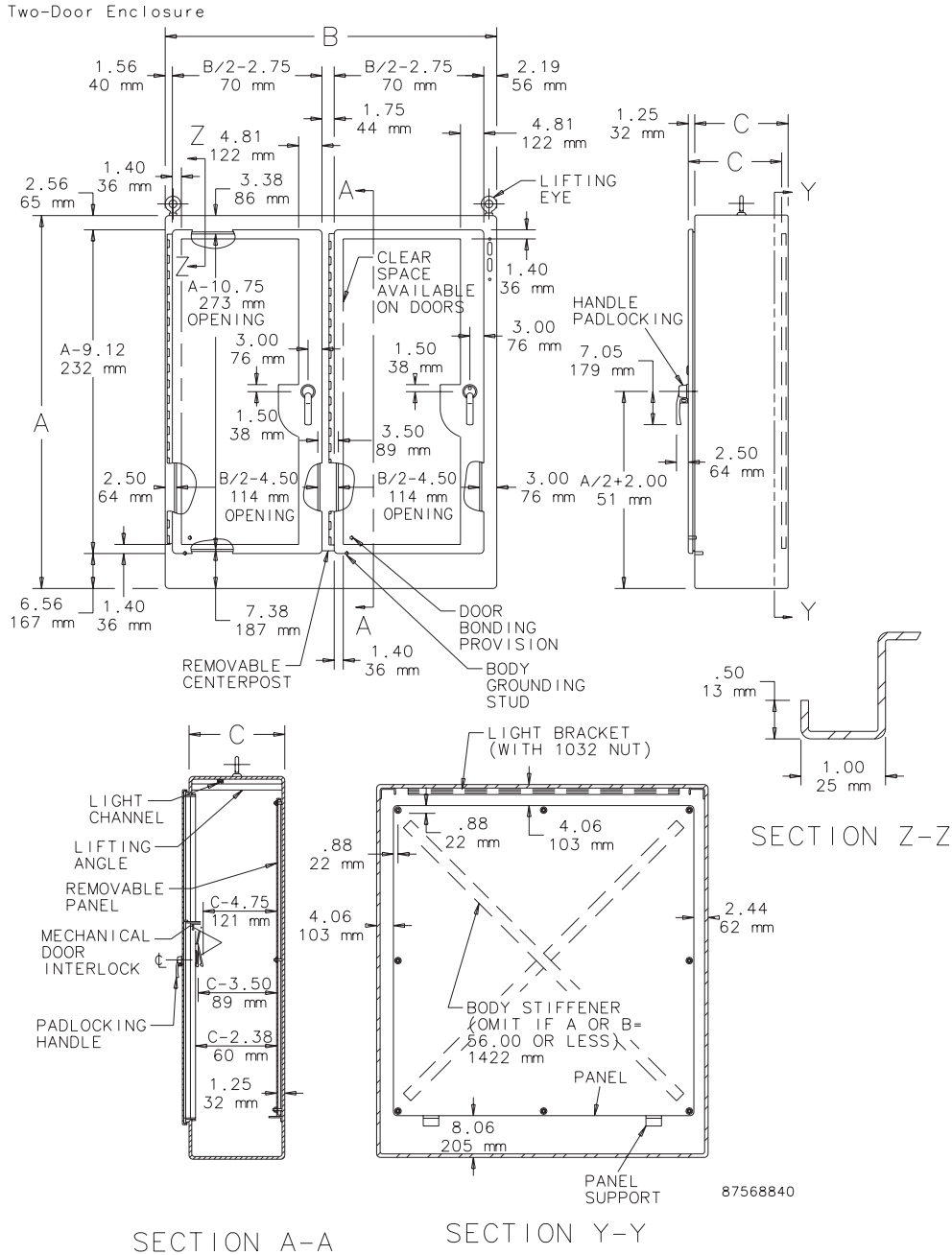
The platform assembly can be omitted if long connecting rods are ordered in place of short connecting rods. • For Cutler-Hammer operating mechanisms C371E and C371F order catalog number C371CS1 connecting rod. For C371G and C371K order catalog number C371CS2 connecting rod. • For General Electric devices, order catalog number TDSR extended length drive rod • For Square D devices, order catalog number 9422-R2 extra long operating rod(s). Some devices require two rods. Consult factory for space occupied on panel when platform is used.



Standard Product **Two-Door Enclosures**

Catalog Number	AxBxC in.	AxBxC mm	Panel	Conductive Panel	Panel Size (in.)	Panel Size (mm)
A72XM5418SSN4	72.12 x 54.50 x 18.12	1832 x 1384 x 460	A72PM54	A72PM54G	60.00 x 48.00	1524 x 1219
A72XM6618SSN4	72.12 x 66.50 x 18.12	1832 x 1689 x 460	A72PM66	A72PM66G	60.00 x 60.00	1524 x 1524
A72XM7818SSN4	72.12 x 78.50 x 18.12	1832 x 1994 x 460	A72PM78	A72PM78G	60.00 x 72.00	1524 x 1829
A84XM7818SSN4	84.12 x 78.50 x 18.12	2137 x 1994 x 460	A84PM78	A84PM78G	72.00 x 72.00	1829 x 1829
A90XM7818SSN4	90.12 x 78.50 x 18.12	2289 x 1994 x 460	A90PM78	A90PM78G	78.00 x 72.00	1981 x 1829
A90XM7820SSN4	90.12 x 78.50 x 20.12	2289 x 1994 x 511	A90PM78	A90PM78G	78.00 x 72.00	1981 x 1829
A72XM7824SSN4	72.12 x 78.50 x 24.12	1832 x 1994 x 613	A72PM78	A72PM78G	60.00 x 72.00	1524 x 1829
A84XM7824SSN4	84.12 x 78.50 x 24.12	2137 x 1994 x 613	A84PM78	A84PM78G	72.00 x 72.00	1829 x 1829
A90XM7824SSN4	90.12 x 78.50 x 24.12	2289 x 1994 x 613	A90PM78	A90PM78G	78.00 x 72.00	1981 x 1829

White mild steel panels are furnished with enclosure. Purchase conductive panels separately.

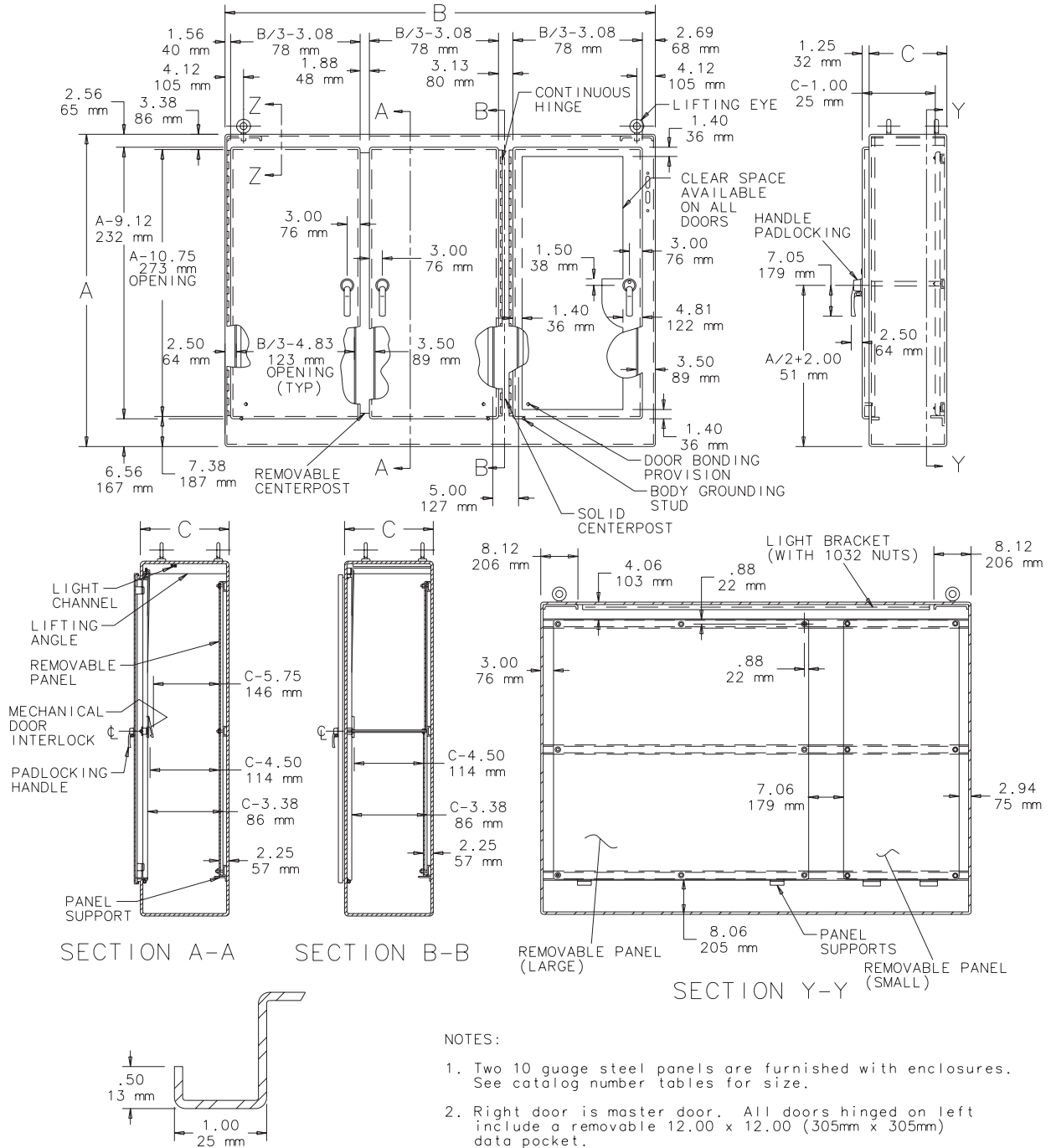


Standard Product **Three-Door Enclosures**

Catalog Number	AxBxC in.	AxBxC mm	Large Panel	Conductive Large Panel	Number of Large Panels	Size of Large Panels (in.)	Size of Large Panels (mm)	Small Panel	Small Conductive Panel	Number of Small Panels	Size of Small Panels (in.)	Size of Small Panels (mm)
A72XM3EQ18SSN4	72.12 x 100.75 x 18.12	1832 x 2559 x 460	A72PM66	A72PM66G	1	60.00 x 60.00	1524 x 1524	A72PM34	A72PM34G	1	60.00 x 27.75	1524 x 705
A72XM3EW18SSN4	72.12 x 118.75 x 18.12	1832 x 3016 x 460	A72PM78	A72PM78G	1	60.00 x 72.00	1524 x 1829	A72PM40	A72PM40G	1	60.00 x 33.75	1524 x 857
A84XM3EW18SSN4	84.12 x 118.75 x 18.12	2137 x 3016 x 460	A84PM78	A84PM78G	1	72.00 x 72.00	1829 x 1829	A84PM40	A84PM40G	1	72.00 x 33.75	1829 x 857
A84XM3EW24SSN4	84.12 x 118.75 x 24.12	2137 x 3016 x 613	A84PM78	A84PM78G	1	72.00 x 72.00	1829 x 1829	A84PM40	A84PM40G	1	72.00 x 33.75	1829 x 857
A90XM3EW24SSN4	90.12 x 118.75 x 24.12	2289 x 3016 x 613	A90PM78	A90PM78G	1	78.00 x 72.00	1981 x 1829	A90PM40	A90PM40G	1	78.00 x 33.75	1981 x 857

White mild steel panels are furnished with enclosure. Purchase conductive panels separately.

Three-Door Enclosure



- NOTES:
- Two 10 gauge steel panels are furnished with enclosures. See catalog number tables for size.
 - Right door is master door. All doors hinged on left include a removable 12.00 x 12.00 (305mm x 305mm) data pocket.

87568841

Standard Product Four- and Five-Door Enclosures

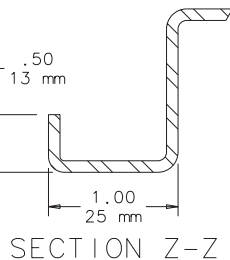
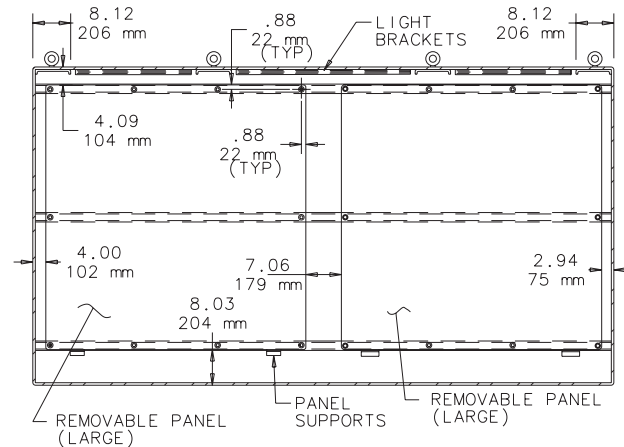
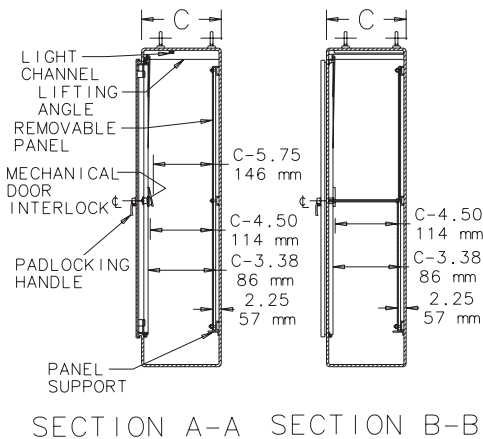
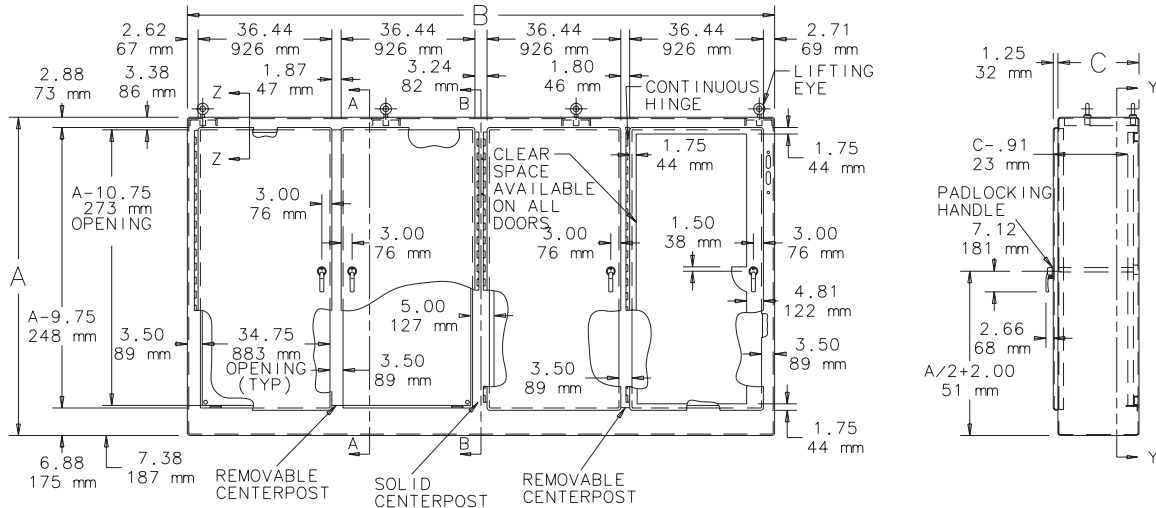
Catalog Number	AxBxC in.	AxBxC mm	Number of Doors	Panel	Number of Panels	Size of Panels (in.)	Sizes of Panels (mm)
A72XM4EW18SSN4	72.12 x 158.00 x 18.12	1832 x 4013 x 460	4	A72PM78	2	60.00 x 72.00	1524 x 1829
A84XM4EW18SSN4	84.12 x 158.00 x 18.12	2137 x 4013 x 460	4	A84PM78	2	72.00 x 72.00	1829 x 1829
A84XM5EW24SSN4	84.12 x 197.75 x 24.12	2137 x 5023 x 613	5	A84PM78 and A84PM40	2 and 1	72.00 x 72.00 and 72.00 x 33.75	1829 x 1829 and 1329 x 857

White mild steel panels are furnished with enclosure. Optional conductive panels are available.

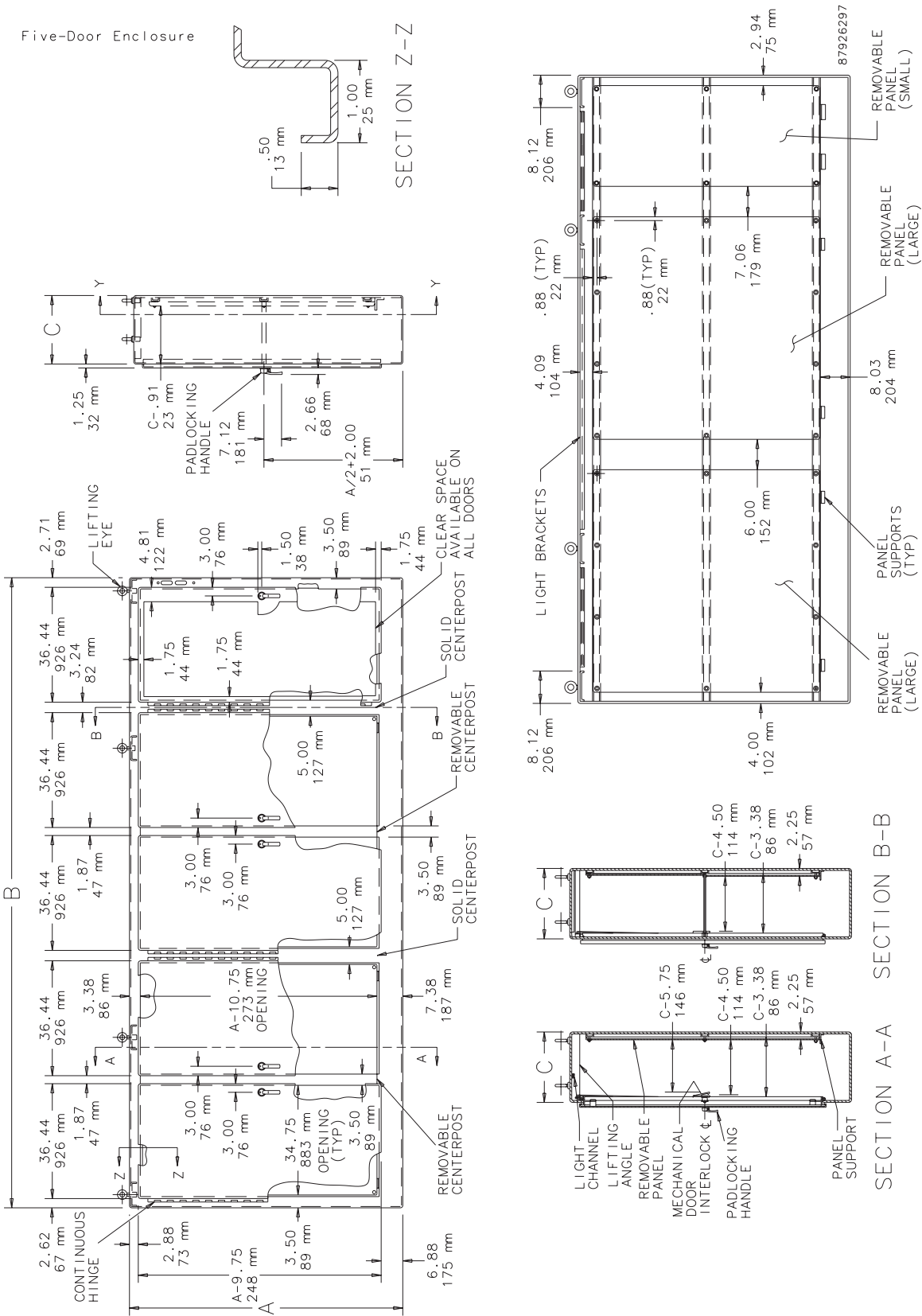
All 24.12-in. (613-mm) and deeper enclosures using short connecting rods in the following models require a Hoffman platform assembly, catalog number ADSCPA, purchased separately. • ABB Controls flange-operated devices • Eaton Cutler-Hammer C361 devices • Eaton Cutler-Hammer C371 mechanisms which use C371E, F, G, K operating mechanism • General Electric Type TDA devices (see next paragraph for option) • Schneider Square D Class 9422 devices (see next paragraph for option)

The platform assembly can be omitted if long connecting rods are ordered in place of short connecting rods. • For Eaton Cutler-Hammer operating mechanisms C371E and C371F order catalog number C371CS1 connecting rod. For C371G and C371K order catalog number C371CS2 connecting rod. • For General Electric devices, order catalog number TDSR extended length drive rod • For Schneider Square D devices, order catalog number 9422-R2 extra long operating rod(s). Some devices require two rods. Consult factory for space occupied on panel when platform is used.

Four-Door Enclosure



87926296



Disconnect Mounting Space

Disconnects will occupy space on panel shown by dimensions E1, F1 and G1 in the diagram. Wiring space W1 is available when disconnect is installed in the enclosure.

See the *Technical Information* section for E1 Spacing by Enclosure Height for various disconnect switch manufacturers.

Refer to *National Electrical Code*, 2005 article 430-10(b) for wiring space required for line side conductors to be connected to disconnect.

Verify your application to determine if wiring space is adequate.

All 24.12-in. (613-mm) and deeper enclosures using short connecting rods by the following manufacturers require a Hoffman platform assembly, catalog number ADSCPA, purchased separately.

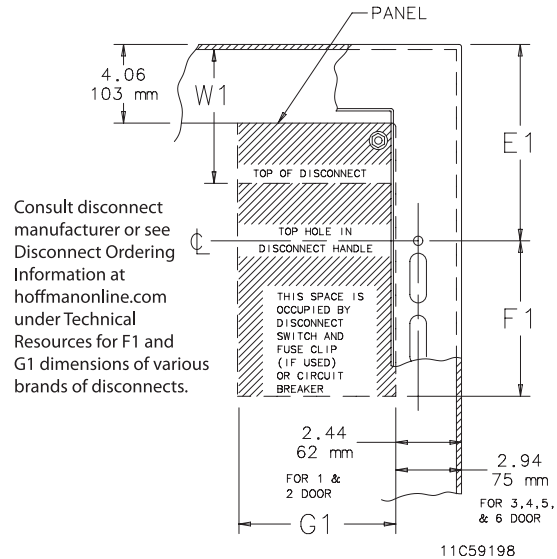
- ABB Controls flange-operated devices
- Eaton Cutler-Hammer C361 devices
- Eaton Cutler-Hammer C371 mechanisms which use C371E, F, G, K operating mechanism (see Disconnect Enclosure Accessories)
- General Electric Type TDA devices (see Disconnect Enclosure Accessories)
- Schneider Square D® Class 9422 devices (see Disconnect Enclosure Accessories)

The platform assembly can be omitted if long connecting rods are ordered in place of short connecting rods.

- For Eaton Cutler-Hammer operating mechanisms C371E and C371F order catalog number C371CS1 connecting rod. For C371G and C371K order catalog number C371CS2 connecting rod.
 - For General Electric devices, order catalog number TDSR extended length drive rod
 - For Schneider Square D devices, order catalog number 9422-R2 extra long operating rod(s). Some devices require two rods.
- Consult factory for space occupied on panel when platform is used.

A Complete Assembly Consists of:

1. An enclosure
2. A panel
3. An operator adapter (see Disconnect Enclosure Accessories in this publication to select the proper operator adapter for the brand and type of disconnect being used). *Door hardware is furnished with enclosure.*
4. A disconnect device.





Disconnect: Free-Stand Stainless Steel Preferred-Cutout Disconnect Enclosures
Stainless Steel Heavy Duty Disconnect Enclosures

Notes

Hoffman WATERSHED® Free-Standing SS Disconnect Enclosures



Industry Standards

UL 508A Listed; Type 3, 3R, 4, 4X, 12; File Number E61997
 cUL Listed per CSA C22.2 No. 94; Type 3, 3R, 4, 4X, 12; File No. E61997

NSF 169
 NEMA/EEMAC: Type 3R, 4, 4X, 12
 IEC 60529, IP66
 Meets NEMA Type 3RX requirements

Application

The Hoffman WATERSHED® Stainless Steel Free-Stand Disconnect Enclosure, with its unique design and type 4X rating, is a perfect fit for mounting electrical or high-tech electronic equipment in settings such as sanitary washdown production environments, petrochemical plants, pulp and paper facilities, and water treatment plants.

Specifications

- Manufactured from 12 gauge Type 304 stainless steel; back is 10 gauge
- Seams continuously welded and ground smooth
- Smooth Type 304 stainless steel lift-off bullet-style hinges
- Hinges are shielded by door edges

- Hinged side of door has provisions to allow direct flushing of hinge area
- 20-degree sloped top facilitates runoff of water and cleaning solutions and prohibits placement of objects on top of enclosure
- 170-degree door opening
- Door edges are sloped 20 degrees at top and bottom edges to facilitate runoff
- Slanted flange trough collar prohibits pooling of fluids along the top edge of the enclosure opening
- Heavy-duty three-point latching mechanism operated by a Type 316 stainless steel POWERGLIDE® padlocking handle on all doors
- Master door has POWERGLIDE handle with integral screwdriver defeater
- Mechanical interlock activated by master door prevents slave doors from being opened first. Doors can be closed in any order.
- Master door is far right-hand door on all enclosures
- Seamless foam-in-place one-piece gasket provides an oil-tight, water-tight and dust-tight seal against contaminants
- Bonding provision on doors; grounding stud on body
- Accessory mounting channel provided in enclosure top
- Heavy-duty lifting eyes are Type 316 stainless steel
- Removable centerpost permits easy panel installation
- Panel studs accept optional NEMA-size panels
- Preferred cutout on right flange provides mounting for most disconnect operators
- Mounting holes in bottom of enclosure for direct mounting or for optional sanitary legs or stainless steel floor stands
- Furnished hardware kit consists of panel mounting nuts, grounding hardware and hole seals for bottom mounting holes
- Ends of latch rods have rollers for easier

Finish

Stainless steel enclosures are unpainted. External surfaces have a #4 brushed finish. Optional mild steel panels are painted white. Optional conductive panels are available.

Accessories

See also Accessories.
 Industrial Corrosion Inhibitors
 Floor Stand Kit
 Panels for Type 3R, 4, 4X, 12 and 13 Enclosures
 Operator Adapters for Preferred Cutouts
 Sanitary Leg Kits
An operator adapter for a preferred cutout must be ordered separately.

Bulletin: WS2D

Standard Product

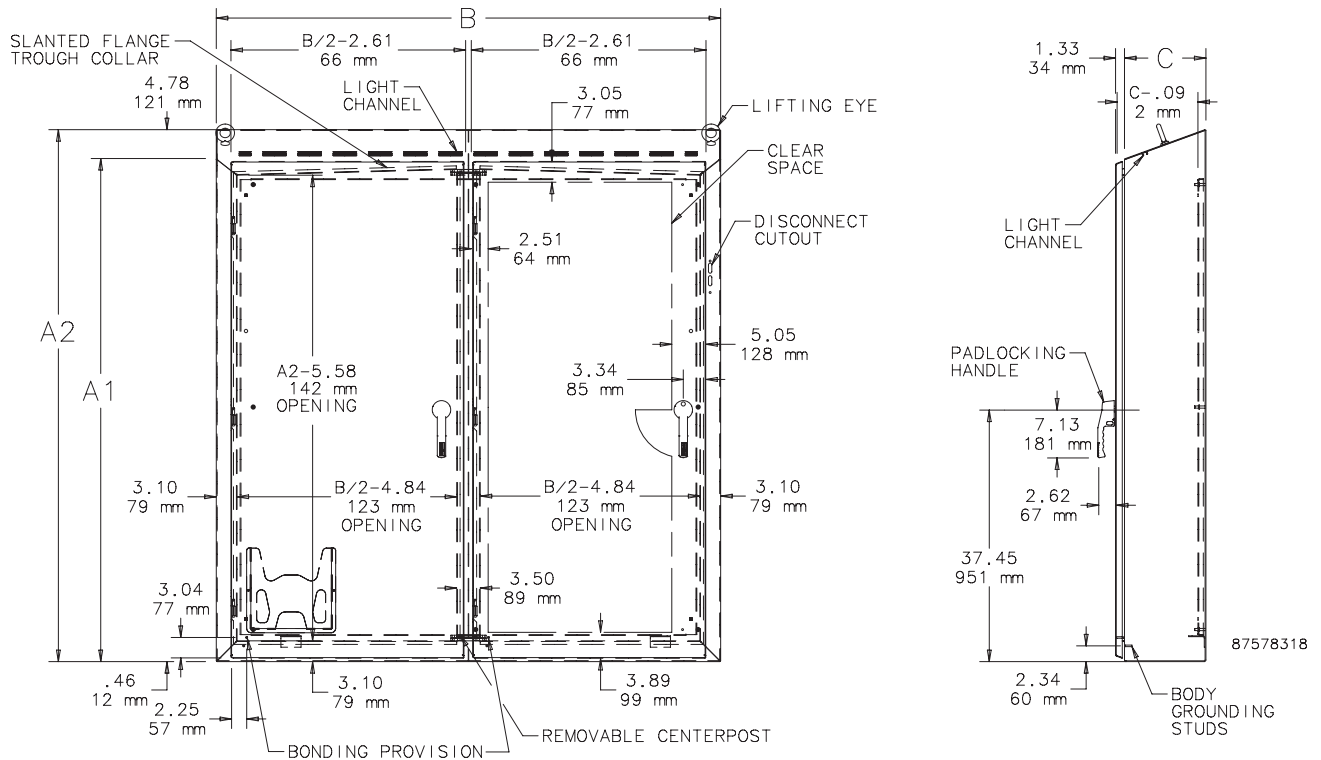
Catalog Number	AxBxC in./mm	A1 in./mm	A2 in./mm	B in./mm	C in./mm	Panel	Conductive Panel
WS62XM5112SS	62.00 x 51.00 x 12.00 1575 x 1295 x 305	62.81 1595	67.20 1707	51.09 1298	12.12 308	A60P48	A60P48G
WS62XM5118SS	62.00 x 51.00 x 18.00 1575 x 1295 x 457	62.81 1595	67.20 1707	51.09 1298	18.12 460	A60P48	A60P48G
WS62XM6312SS	62.00 x 63.00 x 12.00 1575 x 1600 x 305	62.81 1595	67.20 1707	63.09 1602	12.12 305	A60P60	A60P60G
WS62XM6318SS	62.00 x 63.00 x 18.00 1575 x 1602 x 457	62.81 1595	67.20 1707	63.09 1602	18.12 460	A60P60	A60P60G
WS74XM6312SS	74.00 x 63.00 x 12.00 1880 x 1600 x 305	74.81 1900	79.20 2012	63.09 1602	12.12 305	A72P60	A72P60G
WS74XM6318SS	74.00 x 63.00 x 18.00 1880 x 1600 x 457	74.81 1900	81.38 2067	63.09 1602	18.12 460	A72P60	A72P60G
WS74XM7512SS	74.00 x 75.00 x 12.00 1880 x 1905 x 305	74.81 1900	79.20 2012	75.09 1907	12.12 305	A72P72	A72P72G
WS74XM7518SS	74.00 x 75.00 x 18.00 1880 x 1905 x 457	74.81 1900	81.38 2067	75.09 1907	18.12 460	A72P72	A72P72G
WS74XM7524SS	74.00 x 75.00 x 24.00 1880 x 1905 x 610	74.81 1900	83.57 2123	75.09 1907	24.12 613	A72P72	A72P72G

A x B x C are nominal dimensions.

Purchase panels separately.

All 24.12-in. (613-mm) and deeper enclosures using short connecting rods by the following manufacturers require a Hoffman platform assembly, catalog number ADSCPA, purchased separately. • ABB Controls flange-operated devices • Cutler-Hammer C361 devices • Eaton Cutler-Hammer C371 mechanisms which use C371E, F, G, K operating mechanism (see next paragraph for option) • General Electric Type TDA devices (see next paragraph for option) • Schneider Square D Class 9422 devices (see next paragraph for option)

The platform assembly can be omitted if long connecting rods are ordered in place of short connecting rods. • For Eaton Cutler-Hammer operating mechanisms C371E and C371F order catalog number C371CS1 connecting rod. For C371G and C371K order catalog number C371CS2 connecting rod. • For General Electric devices, order catalog number TDSR extended length drive rod • For Schneider Square D devices, order catalog number 9422-R2 extra long operating rod(s). Some devices require two rods. Consult factory for space occupied on panel when platform is used.



Disconnect Mounting Space

Disconnects are located by dimension E1. Wiring space W1 is available when disconnect is installed in the enclosure.

E1 = 8.62 in. (219 mm) when C = 8.00 in. (203 mm)

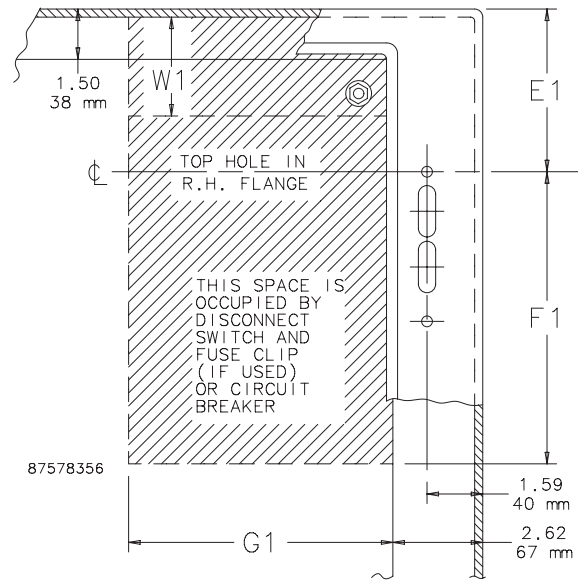
E1 = 11.62 in. (295 mm) when C = 12.00 in. (305 mm)

W1 = Wiring Space.

See *Technical Information for wire bend space.*

Refer to *National Electrical Code*® 2005 article 430.10(B) for wiring space required for line side conductors to be connected to disconnect. Verify your application to determine if wiring space is adequate.

Verify your application to determine if wiring space is adequate.



Consult disconnect manufacturer or see Disconnect Ordering Information at hoffmanonline.com under Technical Resources for F1 and G1 dimensions of various brands of disconnects.



Disconnect: Free-Stand Stainless Steel Preferred-Cutout Disconnect Enclosures Hoffman WATERSHED® Stainless Steel

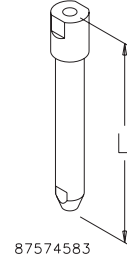
Sanitary Leg Kits



Sanitary Leg Kits provide space between the enclosure and the floor for better washdown accessibility. Available with fixed or independently adjustable legs. Adjustable leg shown. Four legs per kit. Maintains NEMA Type 4X rating when properly installed on a Hoffman Type 4X enclosure.

Bulletin: WSY

Catalog Number	Description	Size L (in.)	Size L (mm)
WSASLKSS	Adjustable Sanitary Leg Kit	11.50 -12.50	292-318
WSFSLKSS	Fixed Sanitary Leg Kit	12.00	305



Free-Stand Universal-Cutout Disconnect Overview

Universal Cutout Overview



Application

The universal cutout is used in large freestand and floorstand enclosures, i.e., Bulletins A21(S), A28(S) and A34. Operator Adapter Kits are required in order to install the various manufacturers' hardware. Note that 400 A (or greater) disconnect switches and 600 A (or greater) circuit breakers need to use the "Large" or "High Amp" cutout, which is provided in the A21ABVA kit for Allen-Bradley variable-depth disconnect switches or the A21ITE kit for Siemens (and select other manufacturers) flex-cable devices. The "Large" or "High Amp" cutout accepts the larger operating handle whose mounting hole centers are 6.500-in. apart.

Universal cutouts are designed to house the following:

Allen-Bradley

- Bulletin 1494F flange-mount disconnect switches and Bulletin 1494D flange-mount operators for circuit breakers
 - Bulletin 1494V disconnect switches with flange-mount variable-depth operating mechanisms and Bulletin 1494V flange-mount variable-depth operating mechanisms for circuit breakers
 - Bulletin 140U flexible cable operating mechanisms for 140U molded case circuit breakers
 - Bulletin 1494C cable-operated disconnect switches with flange-mount handles
 - Bulletin 194RC cable-operated flange-mount handles for use with the NFPA 79 compliant 194R IEC rotary disconnect switches
- Allen-Bradley Bulletin 1494V-R1, -R2 and -W2 operating handles and Allen-Bradley Bulletin 1494F disconnect devices or Bulletin 1494D circuit breaker operators will NOT fit these enclosures.*

ABB Controls flange-mount variable-depth operating mechanisms for disconnect switches and circuit breakers. Also the cable version for circuit breakers.

Eaton Cutler-Hammer Type C361 disconnect switches and operator mechanisms, and Type C371 circuit breakers and circuit breaker operating mechanisms. Also Type SM safety handle mechanisms and FLEX SHAFT™ handle operators for circuit breakers.

General Electric Type STDA flange handles and variable-depth operating mechanisms for disconnect switches and circuit breakers. Also SPECTRAFLEX™ cable operators for circuit breakers.

Siemens ITE MAX FLEX® flange-mount variable-depth operating handles for disconnect switches and circuit breakers.

Schneider Square D® disconnect switches and circuit breakers used with Class 9422 flange-mount variable-depth operating mechanisms or cable mechanisms.

These enclosures will NOT receive Class 9422 bracket-mount disconnect devices, Class 9422TG1 or TG2 devices.

Disconnect Enclosures with Universal Cutout

Universal cutout requires an operator adapter for the brand and type of disconnect being used. See Disconnect Enclosure Accessories to select the operator adapter.

Ordering

The disconnect switch, operating handle and operating mechanism must be ordered separately. See Technical Information in the Hoffman Specifier's Guide for wire bend space available when various manufacturers' disconnect switches are installed, or Disconnect Ordering Information at hoffmanonline.com for disconnect ordering guidelines and wire bend space available. Check the enclosure dimension drawings to verify the chosen disconnect switch will fit in the enclosure.

All 24.12-in. (613-mm) and deeper enclosures using short connecting rods by the following manufacturers require a Hoffman platform assembly, catalog number ADSCPA, purchased separately.

- ABB Controls flange-operated devices
- Eaton Cutler-Hammer C361 devices
- Eaton Cutler-Hammer C371 mechanisms which use C371E, F, G, K operating mechanism (see Disconnect Enclosure Accessories)
- General Electric Type TDA devices (see Disconnect Enclosure Accessories)
- Schneider Square D® Class 9422 devices (see Disconnect Enclosure Accessories)

The platform assembly can be omitted if long connecting rods are ordered in place of short connecting rods.

- For Eaton Cutler-Hammer operating mechanisms C371E and C371F order catalog number C371CS1 connecting rod. For C371G and C371K order catalog number C371CS2 connecting rod.
- For General Electric devices, order catalog number TDSR extended length drive rod
- For Schneider Square D devices, order catalog number 9422-R2 extra long operating rod(s). Some devices require two rods. Consult factory for space occupied on panel when platform is used.

Two-Door with Floor Stands Disconnect Enclosure, Type 12



Industry Standards

UL 508A Listed; Type 12; File No. E61997
 cUL Listed per CSA C22.2 No. 94; Type 12; File No. E61997

NEMA/EEMAC Type 12
 CSA File No. 42186: Type 12
 IEC 60529, IP55

Application

A disconnect can be installed on the centerpost or right side of this enclosure. Floor stands provide additional height and access for cleaning under the enclosure.

Specifications

- 10 gauge steel
- Seams continuously welded and ground smooth
- Body stiffeners in larger enclosures for extra rigidity
- Body flange trough excludes liquids and contaminants
- Removable centerposts permit easy panel installation
- Heavy gauge continuous hinges
- Heavy-duty 3-point latching mechanism operated by padlocking handle on all doors
- Rollers on ends of latch rods for easier door closing
- Heavy-duty lifting eyes anchor into reinforced top
- Data pocket is high impact thermoplastic
- 15-in. floor stands are welded to enclosure
- Provisions for mounting lights
- Oil-resistant door gasket

- Panel supports
- Collar studs provided for mounting optional panels
- Master door is right-hand door on X enclosures and left-hand door on CPX enclosures
- Integral defeater on master door handle requires a screwdriver to open
- Mechanical interlock operated by master door prevents slave door from being opened first. Doors can be closed in any order.
- Includes door hardware

Finish

White interior with ANSI 61 gray exterior finish over pretreated surfaces. Optional panels have white or conductive finish.

Accessories

See also Accessories.
 Blank Adapter Plates, Mild Steel
 INTERSAFE® Data Interface Ports, Type 4/4X/12
 Operator Adapters for Universal Cutouts
 Panels for Type 3R, 4, 4X, 12 and 13 Enclosures
 Steel and Stainless Steel Window Kits

Modification and Customization

Hoffman excels at modifying and customizing products to your specifications. Contact your local Hoffman sales office or distributor for complete information.

Bulletin: A21

Free-Stand Type 12 Disconnect Enclosures

Standard Product Provision for Disconnect Operator on Right Flange

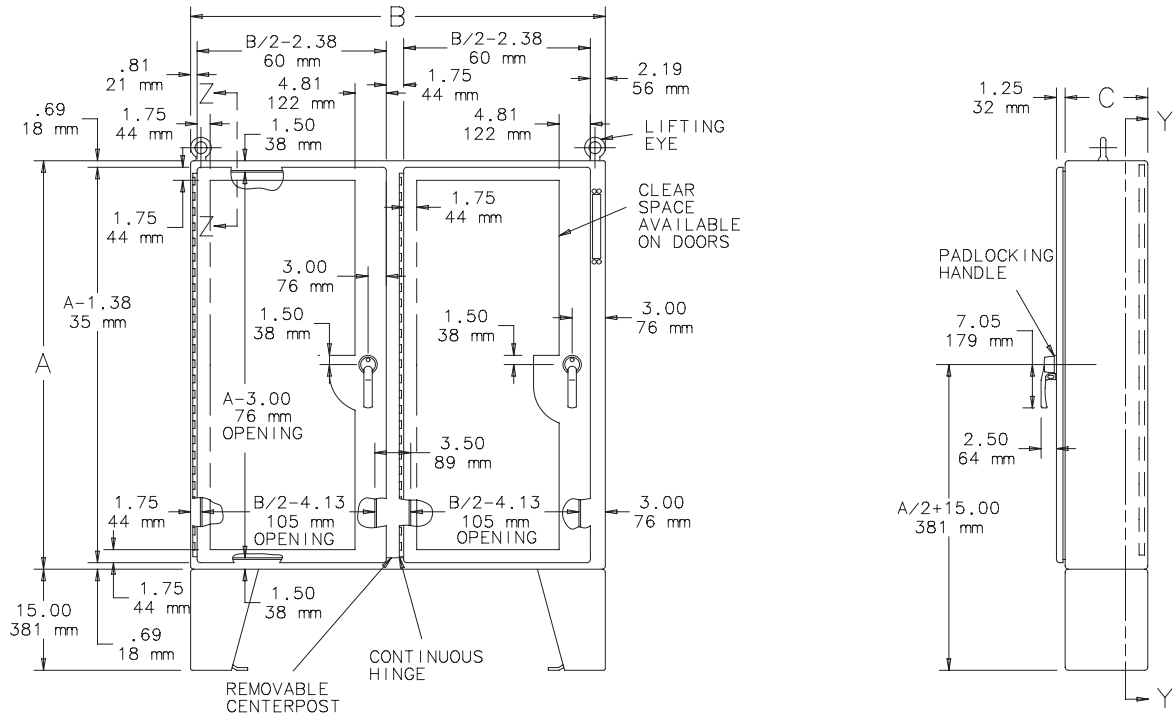
Catalog Number	AxBxC in./mm	Panel	Conductive Panel	Panel Size D x E in./mm	Stiffener Position S in./mm
A60X4912LPFTC	60.12 x 49.75 x 12.12 1527 x 1264 x 308	A60P48	A60P48G	56.00 x 44.00 1422 x 1118	None None
A60X6112LPFTC	60.12 x 61.75 x 12.12 1527 x 1568 x 308	A60P60	A60P60G	56.00 x 56.00 1422 x 1422	21.00 533
A72X6112LPFTC	72.12 x 61.75 x 12.12 1832 x 1568 x 308	A72P60	A72P60G	68.00 x 56.00 1727 x 1422	21.00 533
A72X7312LPFTC	72.12 x 73.75 x 12.12 1832 x 1873 x 308	A72P72	A72P72G	68.00 x 68.00 1727 x 1727	24.00 610
A60X4918LPFTC	60.12 x 49.75 x 18.12 1527 x 1264 x 460	A60P48	A60P48G	56.00 x 44.00 1422 x 1118	None None
A60X6118LPFTC	60.12 x 61.75 x 18.12 1527 x 1568 x 460	A60P60	A60P60G	56.00 x 56.00 1422 x 1422	21.00 533
A72X6118LPFTC	72.12 x 61.75 x 18.12 1832 x 1568 x 460	A72P60	A72P60G	68.00 x 56.00 1727 x 1422	21.00 533
A72X7318LPFTC	72.12 x 73.75 x 18.12 1832 x 1873 x 460	A72P72	A72P72G	68.00 x 68.00 1727 x 1727	24.00 610
A60X4924LPFTC	60.12 x 49.75 x 24.12 1527 x 1264 x 613	A60P48	A60P48G	56.00 x 44.00 1422 x 1118	None None
A60X6124LPFTC	60.12 x 61.75 x 24.12 1527 x 1568 x 613	A60P60	A60P60G	56.00 x 56.00 1422 x 1422	21.00 533
A72X7324LPFTC	72.12 x 73.75 x 24.12 1832 x 1873 x 613	A72P72	A72P72G	68.00 x 68.00 1727 x 1727	24.00 610

Purchase panels separately.

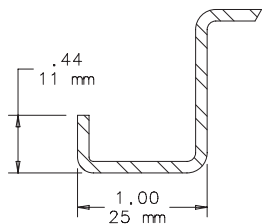
All 24.12-in. (613-mm) and deeper enclosures using short connecting rods in the following models require a Hoffman platform assembly, catalog number ADSCPLA, purchased separately. • ABB Controls flange-operated devices • Eaton Cutler-Hammer C361 devices • Eaton Cutler-Hammer C371 mechanisms which use C371E, F, G, K operating mechanism (see footnote below) • General Electric Type TDA devices (see footnote below) • Schneider Square D Class 9422 devices (see footnote below)

The platform assembly can be omitted if long connecting rods are ordered in place of short connecting rods. • For Eaton Cutler-Hammer operating mechanisms C371E and C371F order catalog number C371CS1 connecting rod. For C371G and C371K order catalog number C371CS2 connecting rod. • For General Electric devices, order catalog number TDSR extended length drive rod • For Schneider Square D devices, order catalog number 9422-R2 extra long operating rod(s). Some devices require two rods.

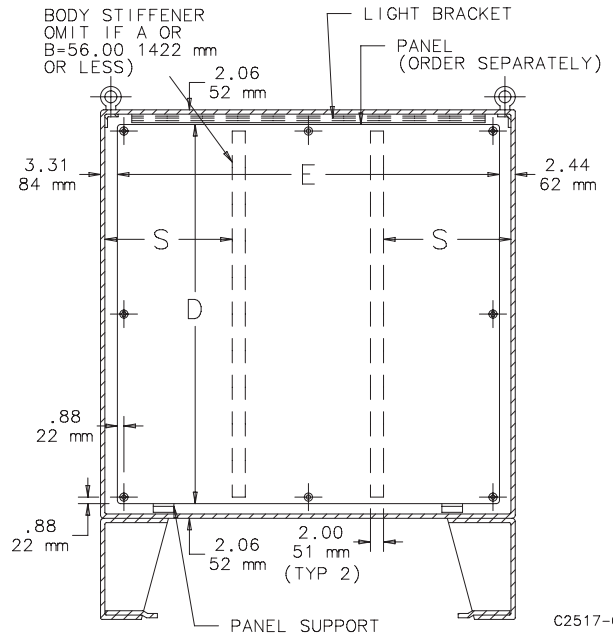
Disconnect Operator on Right Flange



- NOTE: 1. Panels are 10 gauge steel. Right door is master door.
 2. Right door includes removable 12.00 x 12.00 data pocket.



SECTION Z-Z



SECTION Y-Y

C2517-C

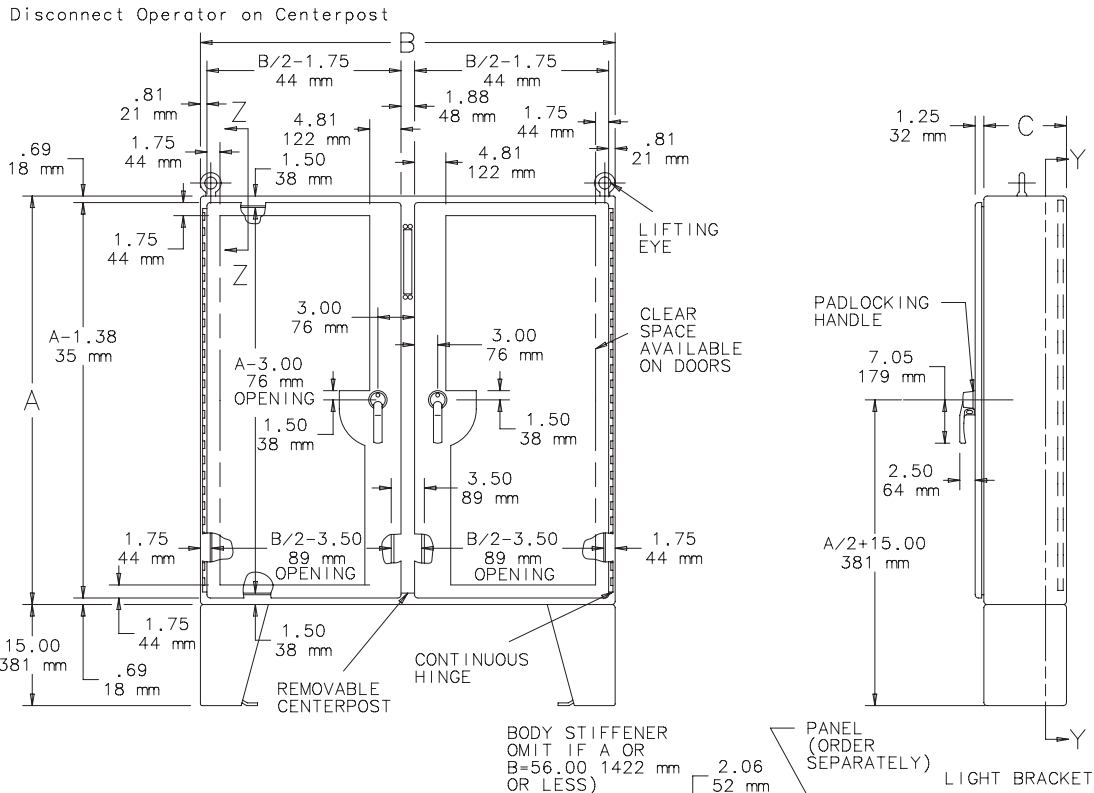
Free-Stand Type 12 Disconnect Enclosures

Standard Product Provision for Disconnect Operator on Centerpost

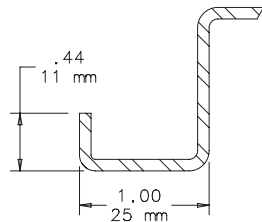
Catalog Number	AxBxC in./mm	Panel	Conductive Panel	Panel Size D x E in./mm	Stiffener Position S in./mm
A60CPX4812LPFTC	60.12 x 48.50 x 12.12 1527 x 1232 x 308	A60P48	A60P48G	56.00 x 44.00 1422 x 1118	None None
A60CPX6012LPFTC	60.12 x 60.50 x 12.12 1527 x 1537 x 308	A60P60	A60P60G	56.00 x 56.00 1422 x 1422	21.00 533
A72CPX7212LPFTC	72.12 x 72.50 x 12.12 1832 x 1841 x 308	A72P72	A72P72G	68.00 x 68.00 1727 x 1727	24.00 610
A72CPX7218LPFTC	72.12 x 72.50 x 18.12 1832 x 1841 x 460	A72P72	A72P72G	68.00 x 68.00 1727 x 1727	24.00 610

Purchase panels separately.

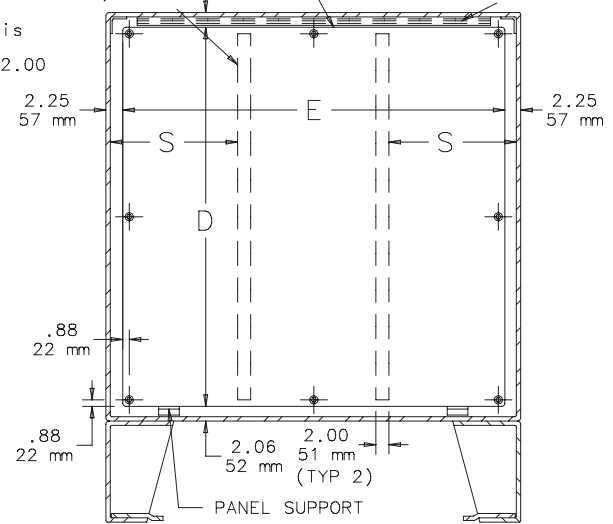
The platform assembly can be omitted if long connecting rods are ordered in place of short connecting rods. • For Cutler-Hammer operating mechanisms C371E and C371F order catalog number C371CS1 connecting rod. For C371G and C371K order catalog number C371CS2 connecting rod. • For General Electric devices, order catalog number TDSR extended length drive rod • For Square D devices, order catalog number 9422-R2 extra long operating rod(s). Some devices require two rods.



- Note:
1. Panels are 10 gauge steel. Left door is master door.
 2. Left door includes removable 12.00 x 12.00 data post.



SECTION Z-Z



SECTION Y-Y

C2518-C

Free-Stand Type 12 Disconnect Enclosures

Disconnect Mounting Space

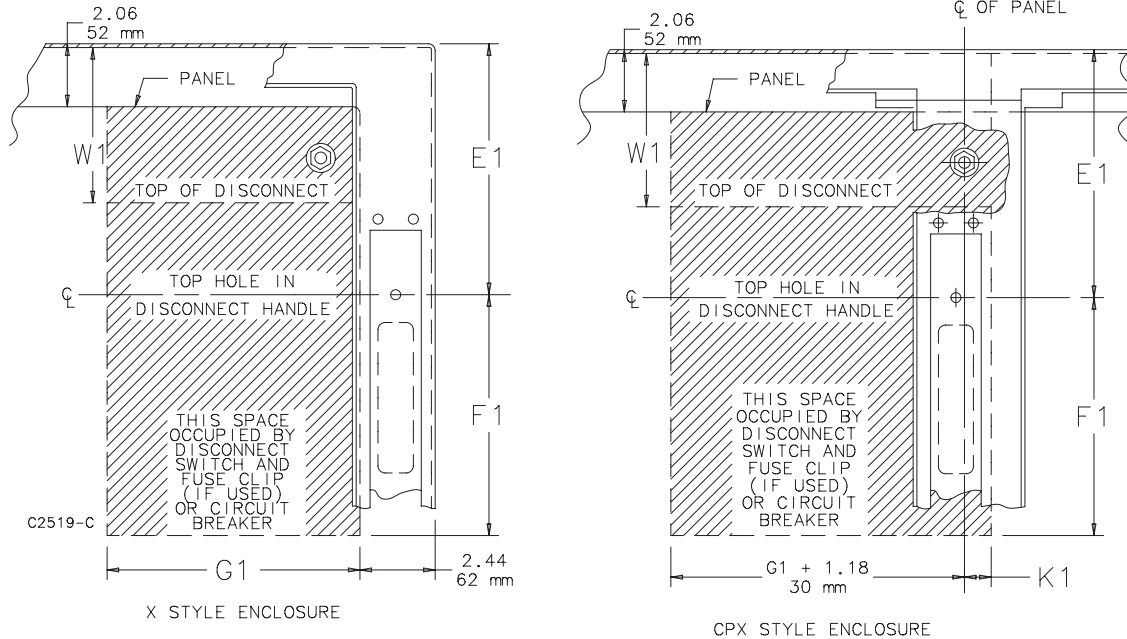
Disconnects are located by dimension E1. Wiring space W1 is available when disconnect is installed in the enclosure. See Technical Information chapter for E1 Spacing by Enclosure Height for various disconnect switch manufacturers.

W1 = Wiring Space

See *Technical Information* chapter for wire bend space.

Refer to **NATIONAL ELECTRICAL CODE, 2005** article 430-10(b) for wiring space required for line side conductors to be connected to disconnect. **Verify your application to determine whether wiring space is adequate.**

Consult *Space Occupied by Disconnect* drawing to determine whether the disconnect device you are using will fit the enclosure size you have selected.



Consult disconnect manufacturer or see Disconnect Ordering Information at hoffmanonline.com under Technical Resources for F1 and G1 dimensions of various brands of disconnects.

Free-Stand Type 12 Disconnect Enclosures

Heavy-Duty Free-Stand Disconnect Enclosure, Type 12



Application

Simple, heavy-duty and cost-effective, this disconnect enclosure can be ordered with one to six doors to fit a range of applications.

Specifications

- 10 gauge steel
- Seams continuously welded and ground smooth
- Body stiffeners in larger enclosures for extra rigidity
- Body flange trough excludes liquids and contaminants
- Heavy-duty lifting eyes anchor into reinforced top
- Removable centerposts permit easy panel installation
- Heavy gauge continuous hinges
- Heavy-duty 3-point latching mechanism operated by padlocking handle on all doors
- Ends of latch rods have rollers for easier door closing
- Panel supports
- Data pocket is high-impact thermoplastic
- Oil-resistant gasket
- Master door is far right-hand door on all enclosures
- Defeater on primary door requires a screwdriver to open
- Mechanical interlock activated by master door prevents slave doors from being opened first. Doors can be closed in any order.
- Universal cutout on right flange provides mounting for most disconnect operators by using operator adapters
- Models available with panel included or panel sold separately
- FTC models include removable painted 10 gauge steel panels which mount on collar studs
- Includes door hardware

Finish

White inside with ANSI 61 gray outside finish over pretreated surfaces. Panels have white or conductive finish.

Accessories

See also Accessories.

Blank Adapter Plates, Mild Steel

Blower Fan Package

Floor Stand Kit

Operator Adapters for Universal Cutouts

Panels for Type 3R, 4, 4X, 12 and 13 Enclosures

Modification and Customization

Hoffman excels at modifying and customizing products to your specifications. Contact your local Hoffman sales office or distributor for complete information.

Bulletin: A28M1, A28M2, A28MM

Industry Standards

UL 508A Listed; Type 12; File No. E61997
cUL Listed per CSA C22.2 No. 94; Type 12; File No. E61997

NEMA/EEMAC Type 12

CSA File No. 42186: Type 12

IEC 60529, IP55

Standard Product One-Door Enclosures

Catalog Number	AxBxC in./mm	With or Without Panel	Painted Panel	Conductive Panel	Panel Size in./mm
A72XM2818FTC	72.12 x 28.25 x 18.12 1832 x 718 x 460	With	A72PM28	A72PM28G	60.00 x 21.75 1524 x 552
A72XM2818FTCLP	72.12 x 28.25 x 18.12 1832 x 718 x 460	Without	—	—	—
A72XM3418FTC	72.12 x 34.25 x 18.12 1832 x 870 x 460	With	A72PM34	A72PM34G	60.00 x 27.75 1524 x 705
A72XM3418FTCLP	72.12 x 34.25 x 18.12 1832 x 870 x 460	Without	—	—	—
A72XM4018FTC	72.12 x 40.25 x 18.12 1832 x 1022 x 460	With	A72PM40	A72PM40G	60.00 x 33.75 1524 x 857
A72XM4018FTCLP	72.12 x 40.25 x 18.12 1832 x 1022 x 460	Without	—	—	—
A84XM4018FTC	84.12 x 40.25 x 18.12 2137 x 1022 x 460	With	A84PM40	A84PM40G	72.00 x 33.75 1829 x 857
A84XM4018FTCLP	84.12 x 40.25 x 18.12 2137 x 1022 x 460	Without	—	—	—
A90XM4018FTC	90.12 x 40.25 x 18.12 2289 x 1022 x 460	With	A90PM40	A90PM40G	78.00 x 33.75 1981 x 857
A90XM4018FTCLP	90.12 x 40.25 x 18.12 2289 x 1022 x 460	Without	—	—	—
A90XM4020FTC	90.12 x 40.25 x 20.12 2289 x 1022 x 511	With	A90PM40	A90PM40G	78.00 x 33.75 1981 x 857

Free-Stand Type 12 Disconnect Enclosures

Catalog Number	AxBxC in./mm	With or Without Panel	Painted Panel	Conductive Panel	Panel Size in./mm
A90XM4020FTCLP	90.12 x 40.25 x 20.12 2289 x 1022 x 511	Without	—	—	—
A84XM4024FTC	84.12 x 40.25 x 24.12 2137 x 1022 x 613	With	A84PM40	A84PM40G	72.00 x 33.75 1829 x 857
A84XM4024FTCLP	84.12 x 40.25 x 24.12 2137 x 1022 x 613	Without	—	—	—
A90XM4024FTC	90.12 x 40.25 x 24.12 2289 x 1022 x 613	With	A90PM40	A90PM40G	78.00 x 33.75 1981 x 857
A90XM4024FTCLP	90.12 x 40.25 x 24.12 2289 x 1022 x 613	Without	—	—	—

All 24.12-in. (613-mm) and deeper enclosures using short connecting rods in the following models require a Hoffman platform assembly, catalog number ADSCPA, purchased separately. • ABB Controls flange-operated devices • Cutler-Hammer C361 devices • Cutler-Hammer C371 mechanisms which use C371E, F, G, K operating mechanism • General Electric Type TDA devices (see next paragraph for option) • Square D Class 9422 devices (see next paragraph for option)

The platform assembly can be omitted if long connecting rods are ordered in place of short connecting rods. • For Cutler-Hammer operating mechanisms C371E and C371F order catalog number C371CS1 connecting rod. For C371G and C371K order catalog number C371CS2. • For General Electric devices, order catalog number TDSR extended length drive rod • For Square D devices, order catalog number 9422-R2 extra long operating rod(s). Some devices require two rods. Consult factory for space occupied on panel when platform is used.

Enclosures with panel include a painted panel. Order conductive panels separately.

Free-Stand Type 12 Disconnect Enclosures

Standard Product **Two-Door Enclosures**

Catalog Number	AxBxC in./mm	With or Without Panel	Stiffener Locations in./mm	Painted Panel	Conductive Panel	Panel Size in./mm
A72XM5418FTC	72.12 x 54.50 x 18.12 1832 x 1384 x 460	With	None None	A72PM54	A72PM54G	60.00 x 48.00 1524 x 1219
A72XM5418FTCLP	72.12 x 54.50 x 18.12 1832 x 1384 x 460	Without	None None	—	—	— —
A72XM6618FTC	72.12 x 66.50 x 18.12 1832 x 1689 x 460	With	21.00 533	A72PM66	A72PM66G	60.00 x 60.00 1524 x 1524
A72XM6618FTCLP	72.12 x 66.50 x 18.12 1832 x 1689 x 460	Without	21.00 533	—	—	— —
A72XM7818FTC	72.12 x 78.50 x 18.12 1832 x 1994 x 460	With	24.00 610	A72PM78	A72PM78G	60.00 x 72.00 1524 x 1829
A72XM7818FTCLP	72.12 x 78.50 x 18.12 1832 x 1994 x 460	Without	24.00 610	—	—	— —
A84XM7818FTC	84.12 x 78.50 x 18.12 2137 x 1994 x 460	With	24.00 610	A84PM78	A84PM78G	72.00 x 72.00 1829 x 1829
A84XM7818FTCLP	84.12 x 78.50 x 18.12 2137 x 1994 x 460	Without	24.00 610	—	—	— —
A90XM7818FTC	90.12 x 78.50 x 18.12 2289 x 1994 x 460	With	24.00 610	A90PM78	A90PM78G	78.00 x 72.00 1981 x 1829
A90XM7818FTCLP	90.12 x 78.50 x 18.12 2289 x 1994 x 460	Without	24.00 610	—	—	— —
A90XM7820FTC	90.12 x 78.50 x 20.12 2289 x 1994 x 511	With	24.00 610	A90PM78	A90PM78G	78.00 x 72.00 1981 x 1829
A90XM7820FTCLP	90.12 x 78.50 x 20.12 2289 x 1994 x 511	Without	24.00 610	—	—	— —
A72XM7824FTC	72.12 x 78.50 x 24.12 1832 x 1994 x 613	With	24.00 610	A72PM78	A72PM78G	60.00 x 72.00 1524 x 1829
A72XM7824FTCLP	72.12 x 78.50 x 24.12 1832 x 1994 x 613	Without	24.00 610	—	—	— —
A84XM7824FTC	84.12 x 78.50 x 24.12 2137 x 1994 x 613	With	24.00 610	A84PM78	A84PM78G	72.00 x 72.00 1829 x 1829
A84XM7824FTCLP	84.12 x 78.50 x 24.12 2137 x 1994 x 613	Without	24.00 610	—	—	— —
A90XM7824FTC	90.12 x 78.50 x 24.12 2289 x 1994 x 613	With	24.00 610	A90PM78	A90PM78G	78.00 x 72.00 1981 x 1829
A90XM7824FTCLP	90.12 x 78.50 x 24.12 2289 x 1994 x 613	Without	24.00 610	—	—	— —

Enclosures with panel include a painted panel. Order conductive panels separately.

Standard Product **Three-Door Enclosures**

Catalog Number	AxBxC in./mm	With or Without Panel	Large Painted Panel	Large Conductive Panel	No. of Large Panels	Large Panel Size in./mm	Small Painted Panel	Small Conductive Panel	No. of Small Panels	Small Panel Size in./mm
A72XM3EQ18FTC	72.12 x 100.75 x 18.12 1832 x 2559 x 460	With	A72PM66	A72PM66G	1	60.00 x 60.00 1524 x 1524	A72PM34	A72PM34G	1	60.00 x 27.75 1524 x 705
A72XM3EQ18FTCLP	72.12 x 100.75 x 18.12 1832 x 2559 x 460	Without	—	—	—	—	—	—	—	—
A72XM3EW18FTC	72.12 x 118.75 x 18.12 1832 x 3017 x 460	With	A72PM78	A72PM78G	1	60.00 x 72.00 1524 x 1829	A72PM40	A72PM40G	1	60.00 x 33.75 1524 x 857
A72XM3EW18FTCLP	72.12 x 118.75 x 18.12 1832 x 3017 x 460	Without	—	—	—	—	—	—	—	—
A84XM3EW18FTC	84.12 x 118.75 x 18.12 2137 x 3017 x 460	With	A84PM78	A84PM78G	1	72.00 x 72.00 1829 x 1829	A84PM40	A84PM40G	1	72.00 x 33.75 1829 x 857
A84XM3EW18FTCLP	84.12 x 118.75 x 18.12 2137 x 3017 x 460	Without	—	—	—	—	—	—	—	—
A84XM3EW24FTC	84.12 x 118.75 x 24.12 2137 x 3017 x 613	With	A84PM78	A84PM78G	1	72.00 x 72.00 1829 x 1829	A84PM40	A84PM40G	1	72.00 x 33.75 1829 x 857
A84XM3EW24FTCLP	84.12 x 118.75 x 24.12 2137 x 3017 x 613	Without	—	—	—	—	—	—	—	—
A90XM3EW24FTC	90.12 x 118.75 x 24.12 2289 x 3017 x 613	With	A90PM78	A90PM78G	1	78.00 x 72.00 1981 x 1829	A90PM40	A90PM40G	1	78.00 x 33.75 1981 x 857
A90XM3EW24FTCLP	90.12 x 118.75 x 24.12 2289 x 3017 x 613	Without	—	—	—	—	—	—	—	—

Enclosures with panel include a painted panel. Order conductive panels separately.

Standard Product **Four-Door Enclosures**

Catalog Number	AxBxC in./mm	With or Without Panel	Large Painted Panel	Conductive Large Panel	Number of Large Panels	Size of Large Panels in./mm
A84XM4EW18FTC	84.12 x 158.00 x 18.12 2137 x 4013 x 460	With	A84PM78	A84PM78G	2	72.00 x 72.00 1829 x 1829
A84XM4EW18FTCLP	84.12 x 158.00 x 18.12 2137 x 4013 x 460	Without	—	—	—	—
A90XM4EW18FTC	90.12 x 158.00 x 18.12 2289 x 4013 x 460	With	A90PM78	A90PM78G	2	78.00 x 72.00 1981 x 1829
A90XM4EW18FTCLP	90.12 x 158.00 x 18.12 2289 x 4013 x 460	Without	—	—	—	—
A84XM4EW24FTC	84.12 x 158.00 x 24.12 2137 x 4013 x 613	With	A84PM78	A84PM78G	2	72.00 x 72.00 1829 x 1829
A84XM4EW24FTCLP	84.12 x 158.00 x 24.12 2137 x 4013 x 613	Without	—	—	—	—
A90XM4EW24FTC	90.12 x 158.00 x 24.12 2289 x 4013 x 613	With	A90PM78	A90PM78G	2	78.00 x 72.00 1981 x 1829
A90XM4EW24FTCLP	90.12 x 158.00 x 24.12 2289 x 4013 x 613	Without	—	—	—	—

Enclosures with panel include a painted panel. Order conductive panels separately.

Standard Product **Five-Door Enclosures**

Catalog Number	AxBxC in./mm	With or Without Panel	Large Painted Panel	Conductive Large Panel	No. of Large Panels	Large Panel Size in./mm	Small Painted Panel	Conductive Small Panel	No. of Small Panels	Small Panel Size in./mm
A84XM5EW18FTC	84.12 x 197.75 x 18.12 2137 x 5023 x 460	With	A84PM78	A84PM78G	2	72.00 x 72.00 1829 x 1829	A84PM40	A84PM40G	1	72.00 x 33.75 1829 x 857
A84XM5EW18FTCLP	84.12 x 197.75 x 18.12 2137 x 5023 x 460	Without	—	—	—	—	—	—	—	—
A90XM5EW18FTC	90.12 x 197.75 x 18.12 2289 x 5023 x 460	With	A90PM78	A90PM78G	2	78.00 x 72.00 1981 x 1829	A90PM40	A90PM40G	1	78.00 x 33.75 1981 x 857
A90XM5EW18FTCLP	90.12 x 197.75 x 18.12 2289 x 5023 x 460	Without	—	—	—	—	—	—	—	—
A84XM5EW24FTC	84.12 x 197.75 x 24.12 2137 x 5023 x 613	With	A84PM78	A84PM78G	2	72.00 x 72.00 1829 x 1829	A84PM40	A84PM40G	1	72.00 x 33.75 1829 x 857
A84XM5EW24FTCLP	84.12 x 197.75 x 24.12 2137 x 5023 x 613	Without	—	—	—	—	—	—	—	—
A90XM5EW24FTC	90.12 x 197.75 x 24.12 2289 x 5023 x 613	With	A90PM78	A90PM78G	2	78.00 x 72.00 1981 x 1829	A90PM40	A90PM40G	1	78.00 x 33.75 1981 x 857
A90XM5EW24FTCLP	90.12 x 197.75 x 24.12 2289 x 5023 x 613	Without	—	—	—	—	—	—	—	—

Enclosures with panel include a painted panel. Order conductive panels separately.

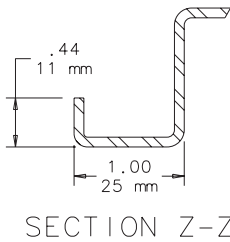
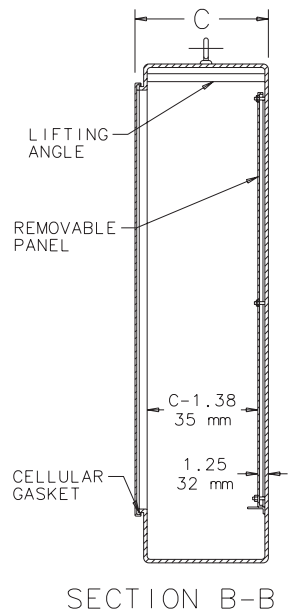
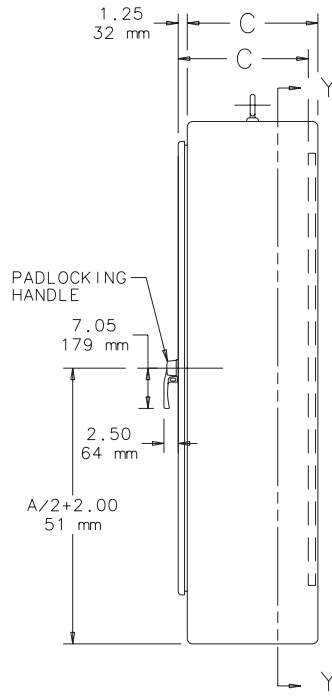
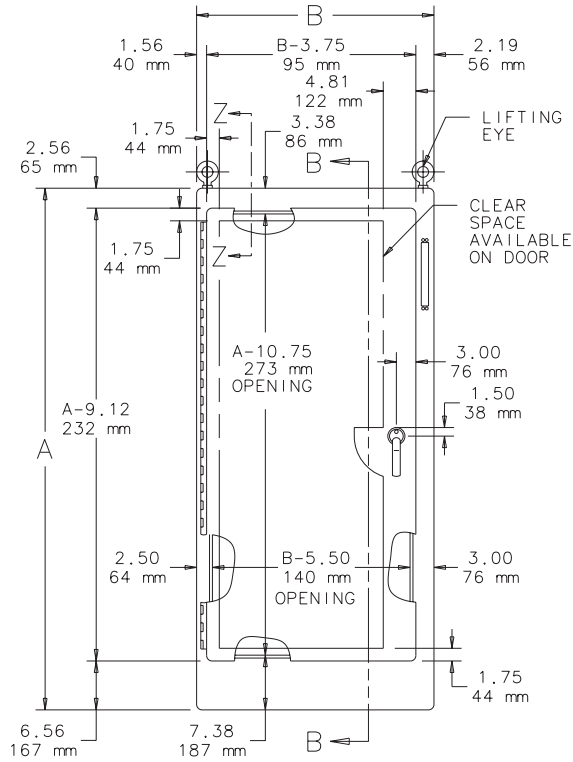
Standard Product **Six-Door Enclosures**

Catalog Number	AxBxC in./mm	With or Without Panel	Large Painted Panel	Conductive Large Panel	Number of Large Panels	Size of Large Panels in./mm
A84XM6EW24FTC	84.12 x 236.00 x 24.12 2137 x 5994 x 613	With	A84PM78	A84PM78G	3	72.00 x 72.00 1829 x 1829
A84XM6EW24FTCLP	84.12 x 236.00 x 24.12 2137 x 5994 x 613	Without	—	—	—	—
A90XM6EW24FTC	90.12 x 236.00 x 24.12 2289 x 5994 x 613	With	A90PM78	A90PM78G	3	78.00 x 72.00 1981 x 1829
A90XM6EW24FTCLP	90.12 x 236.00 x 24.12 2289 x 5994 x 613	Without	—	—	—	—

Enclosures with panel include a painted panel. Order conductive panels separately.

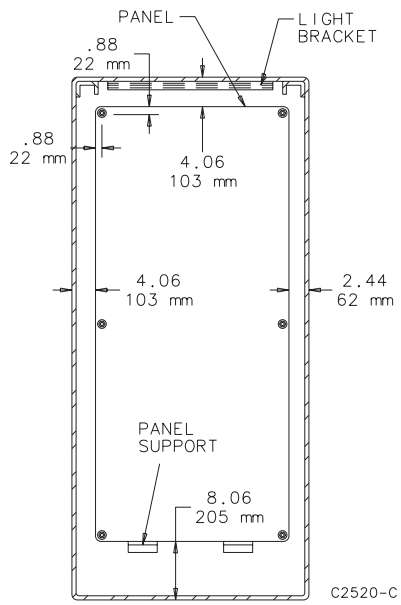
Free-Stand Type 12 Disconnect Enclosures

One-Door Enclosure



SECTION Z-Z

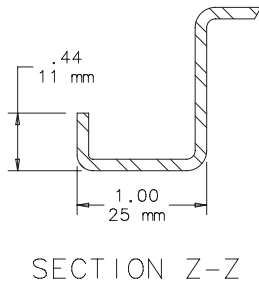
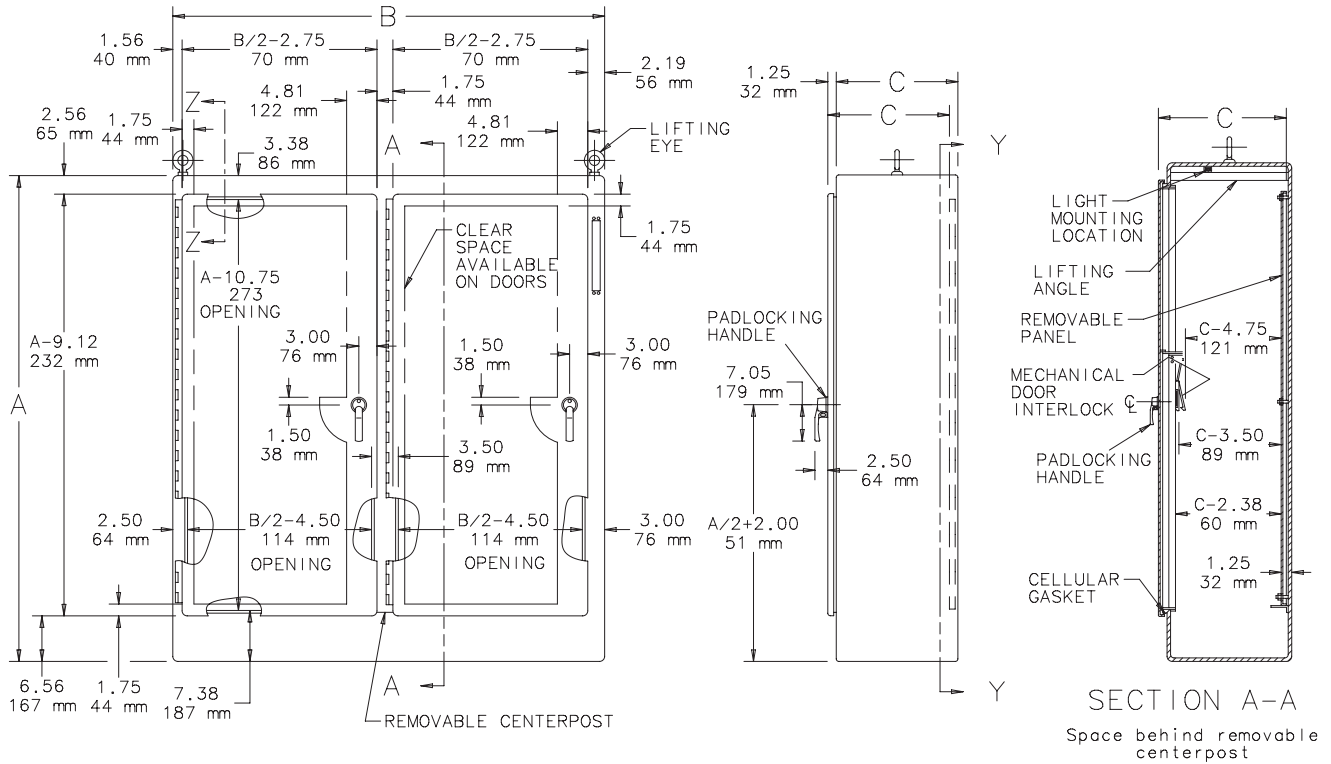
NOTE: 1. 10 gauge steel panel is furnished with FTC enclosures. FTCLP models are less panel; panels can be purchased separately. See catalog number table for size.
 2. Door has removable 12.00 x 12.00 data pocket.



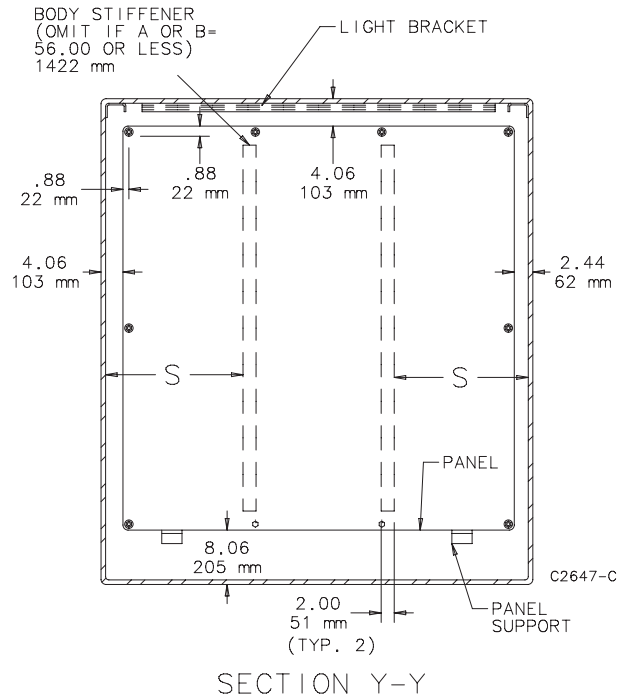
SECTION Y-Y

C2520-C

Two-Door Enclosure

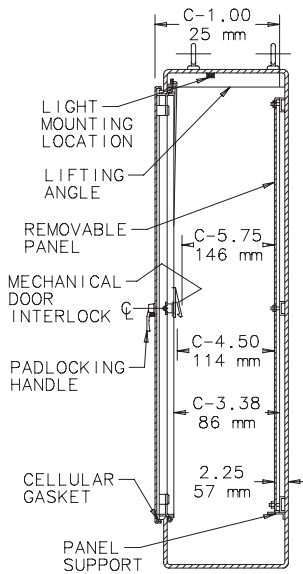
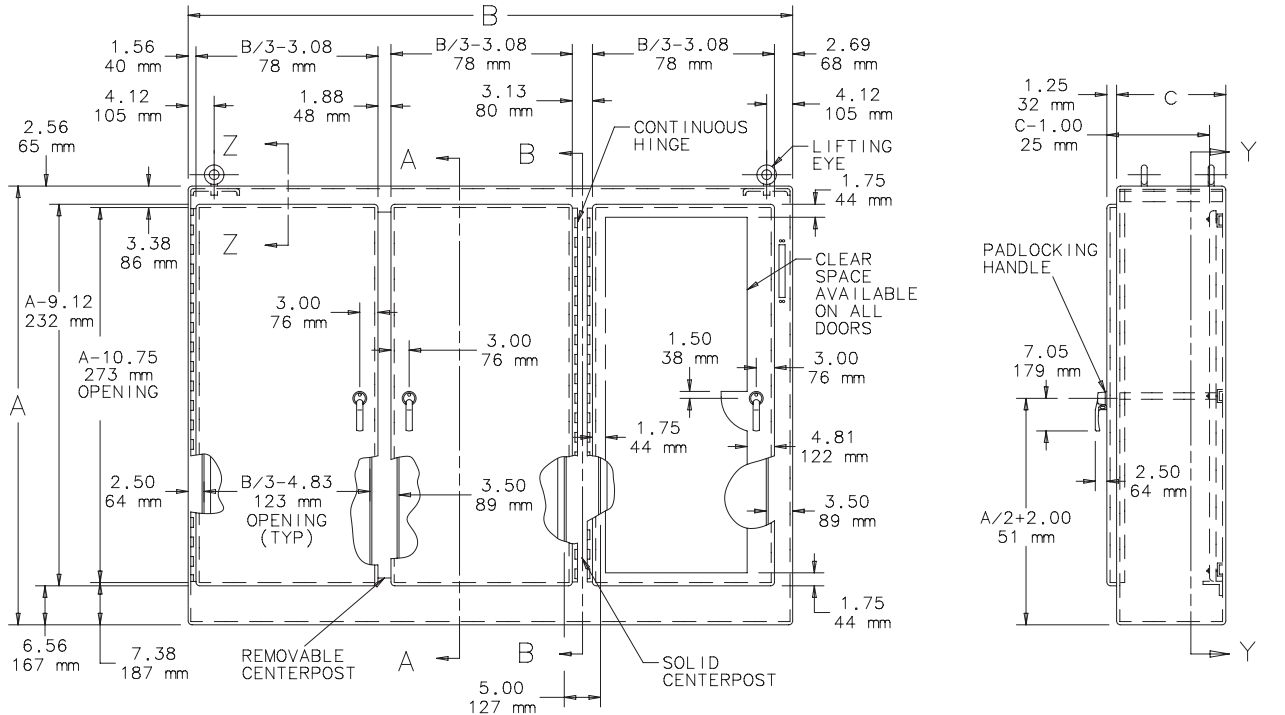


- NOTE:
1. 10 gauge steel panel is furnished with FTC enclosures. FTCLP models are less panel; panels can be purchased separately. See catalog number table for size.
 2. Right door is master door and includes a removable 12.00 x 12.00 data pocket.
 3. Number of panel mounting studs varies with panel width.

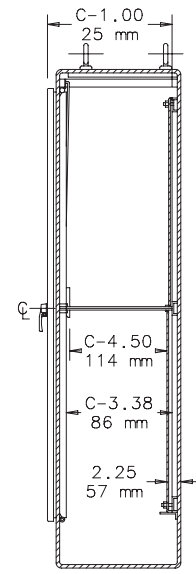


Free-Stand Type 12 Disconnect Enclosures

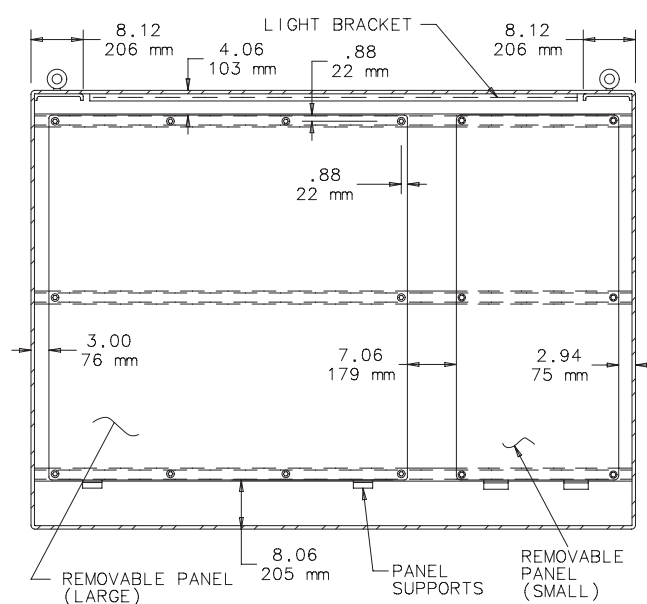
Three-Door Enclosure



SECTION A-A
Space behind removable centerpost

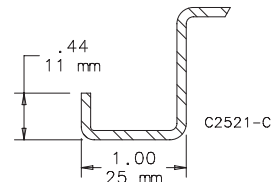


SECTION B-B
Space behind solid centerpost



SECTION Y-Y

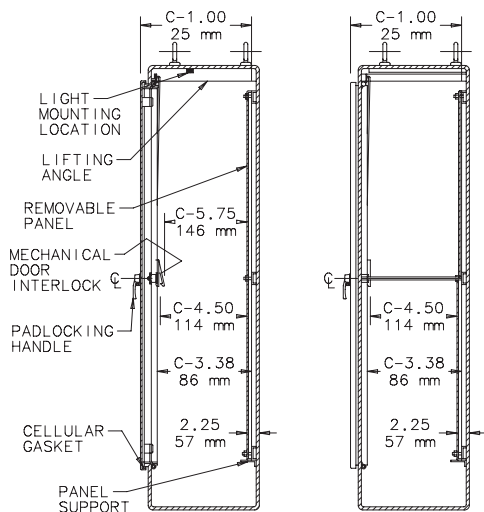
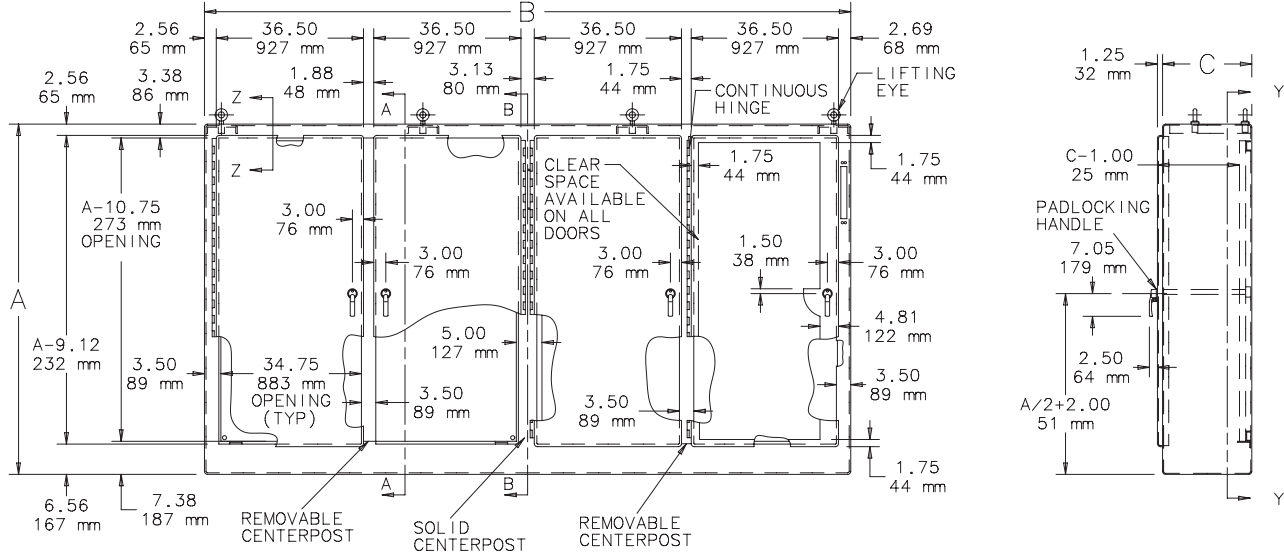
- NOTE:
1. 10 gauge steel panel is furnished with FTC enclosures. FTCLP models are less panel; panels can be purchased separately. See catalog number table for size.
 2. Right door is master door. All doors hinged on left include a removable 12.00 x 12.00 in. (305 x 305mm) data pocket.
 3. Number of panel mounting studs varies with panel width.



SECTION Z-Z

Free-Stand Type 12 Disconnect Enclosures

FOUR-DOOR ENCLOSURE

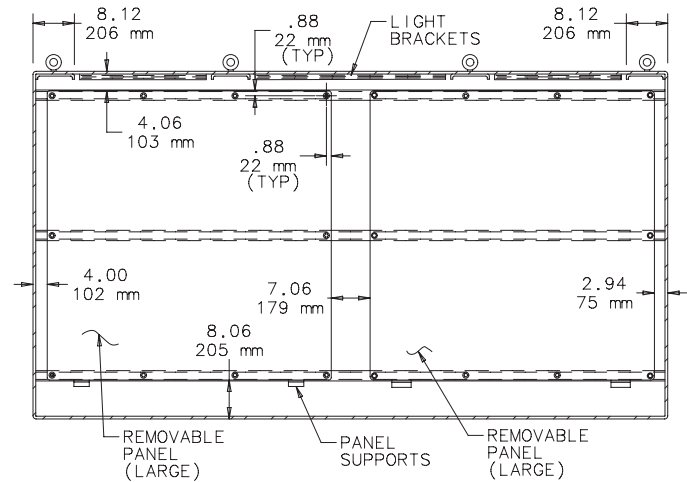


SECTION A-A

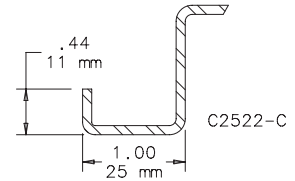
Space behind removable centerpost

SECTION B-B

Space behind solid centerpost



SECTION Y-Y



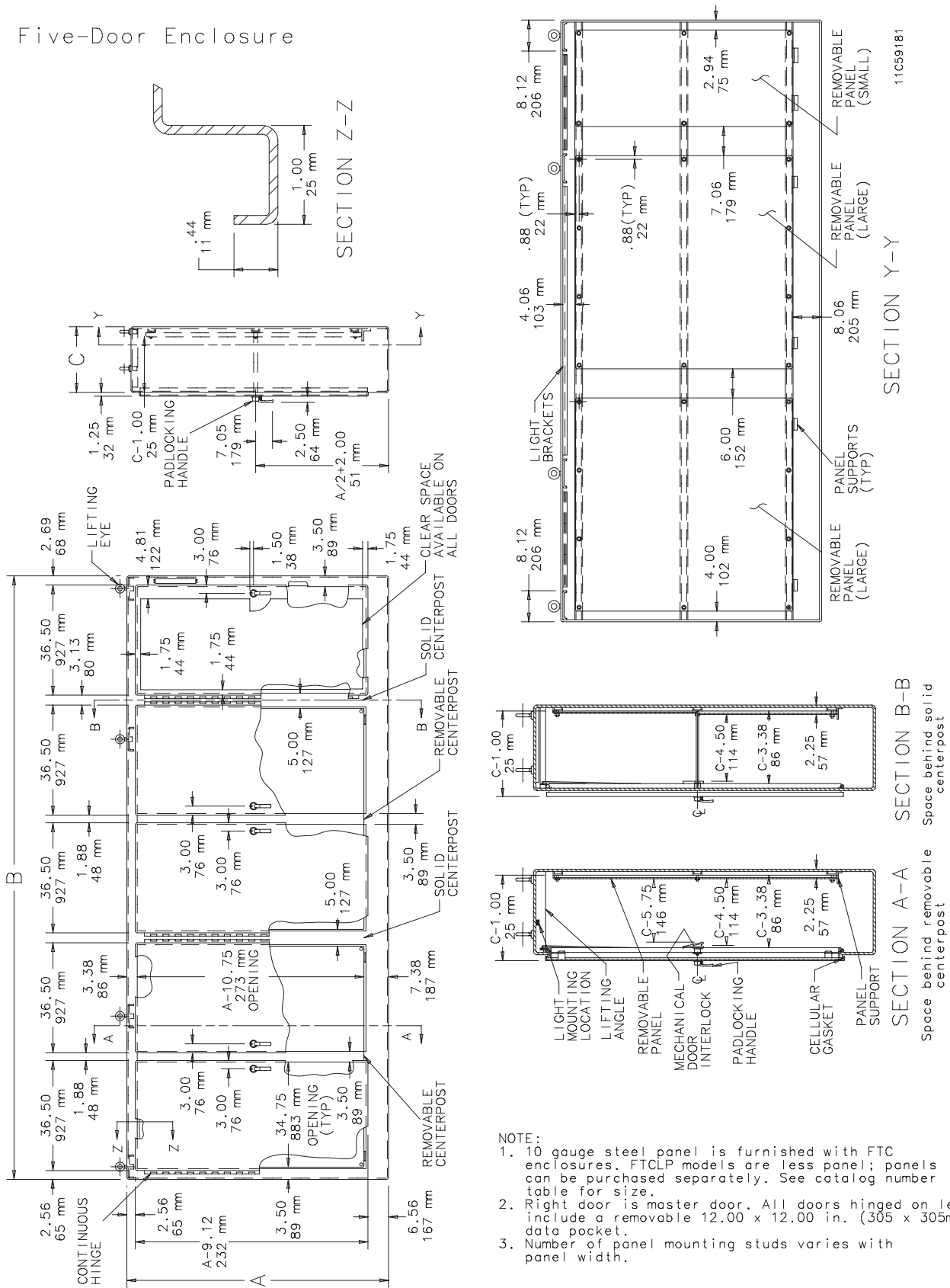
SECTION Z-Z

NOTE:

1. 10 gauge steel panel is furnished with FTC enclosures. FTCLP models are less panel; panels can be purchased separately. See catalog number table for size.
2. Right door is master door. All doors hinged on left include a removable 12.00 x 12.00 in. (305 x 305mm) data pocket.

Free-Stand Type 12 Disconnect Enclosures

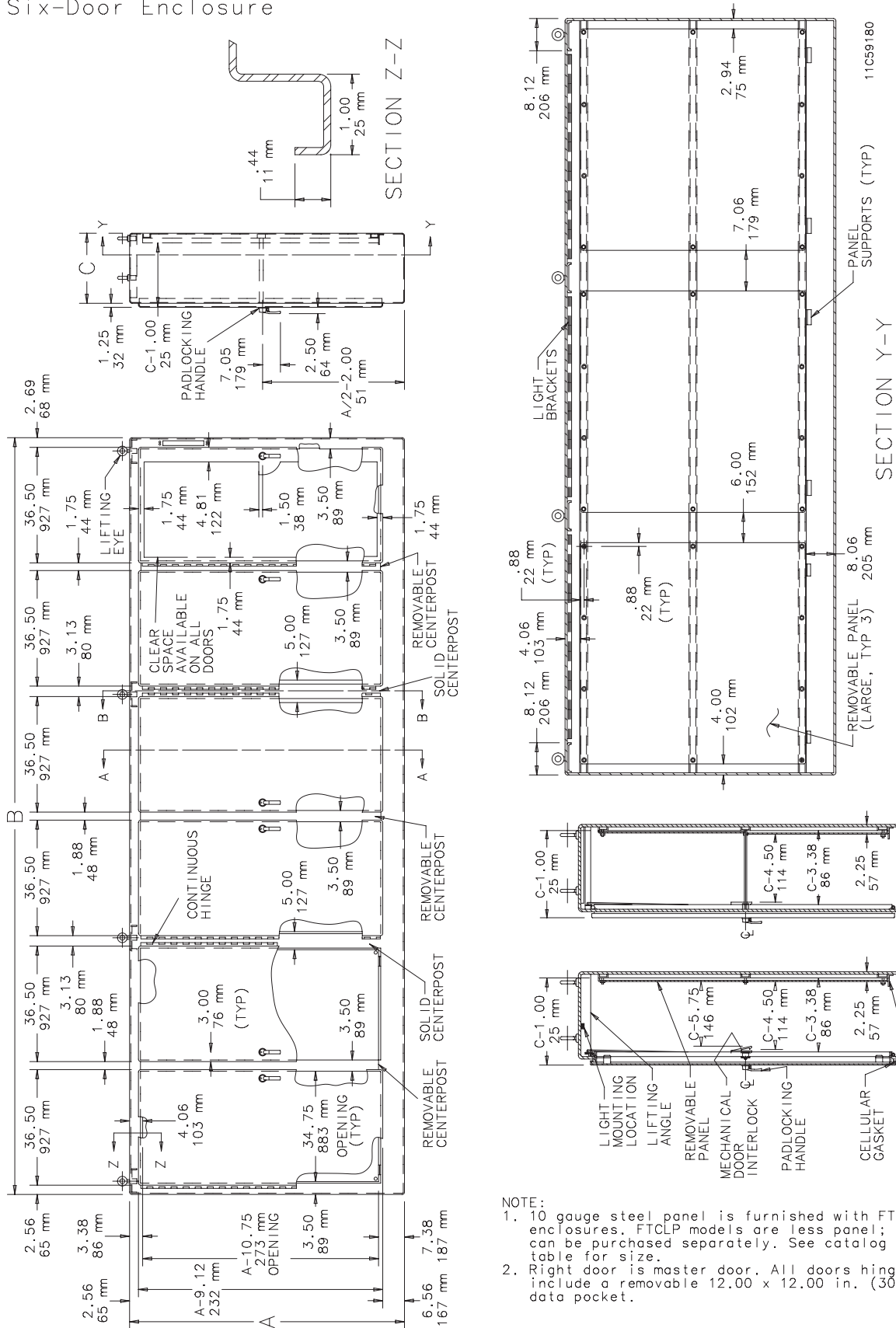
Five-Door Enclosure



11CS9181

- NOTE:
1. 10 gauge steel panel is furnished with FTC enclosures. FTCLP models are less panel; panels can be purchased separately. See catalog number table for size.
 2. Right door is master door. All doors hinged on left include a removable 12.00 x 12.00 in. (305 x 305mm) data pocket.
 3. Number of panel mounting studs varies with panel width.

Six-Door Enclosure



NOTE:
 1. 10 gauge steel panel is furnished with FTC enclosures. FTCLP models are less panel; panels can be purchased separately. See catalog number table for size.
 2. Right door is master door. All doors hinged on left include a removable 12.00 x 12.00 in. (305 x 305mm) data pocket.

Free-Stand Type 12 Disconnect Enclosures

Disconnect Mounting Space

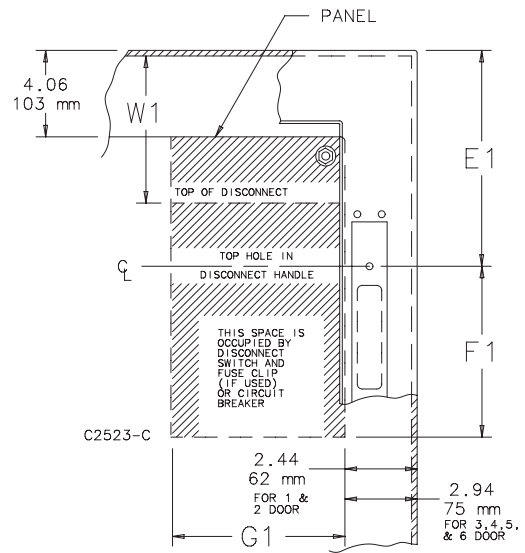
Disconnects are located by dimension E1. Wiring space W1 is available when disconnect is installed in the enclosure. See Technical Information chapter for E1 Spacing by Enclosure Height for various disconnect switch manufacturers.

W1 = Wiring Space

See *Technical Information chapter for wire bend space.*

Refer to **NATIONAL ELECTRICAL CODE, 2005** article 430-10(b) for wiring space required for line side conductors to be connected to disconnect. **Verify your application to determine whether wiring space is adequate.**

Consult Space Occupied by Disconnect drawing to determine whether the disconnect device you are using will fit the enclosure size you have selected.



Consult disconnect manufacturer or see Disconnect Ordering Information at hoffmanonline.com under Technical Resources for F1 and G1 dimensions of various brands of disconnects.



Disconnect: Free-Stand Universal-Cutout Disconnect Enclosures
Free-Stand Type 12 Disconnect Enclosures
Notes

Type 12 Modular Free-Stand Disconnect Enclosures and Accessories

Modular Disconnect Enclosure, Type 12



Industry Standards

UL 508A Listed; Type 12; File No. E61997 cUL Listed per CSA C22.2 No. 94; Type 12; File No. E61997

NEMA Type 12
 CSA File No. 42186: Type 12
 IEC 60529, IP55

Application

Modular disconnect enclosures provide configuration flexibility and versatility. One- and two-door models can be bolted together in any configuration. Slave enclosures can be added or removed as required.

Features

One-Door Disconnect Enclosure (left side open): Universal cutout on right flange provides mounting for most disconnect operators by using operator adapters. Right side is closed since disconnect operator cannot be obscured by a door. Master door is hinged on left. Defeater on master door requires a screwdriver to open. Master door activates mechanical interlock which prevents slave doors from being opened first. Doors may be closed in any order. Interlock is furnished.

Two-Door Disconnect Enclosure (left side open): Universal cutout on right flange provides mounting for most disconnect operators by using operator adapters. Right side is closed. Master door is right-hand door. Both doors hinged on left. Defeater on master door requires a screwdriver to open. Master door activates mechanical interlock which prevents slave doors from being opened first. Doors may be closed in any order. Removable centerpost permits easy panel installation. Interlock is furnished.

One-Door Slave Enclosure (both sides open): Door hinged on left. Interlock is furnished.

Two-Door Slave Enclosure (both sides open): Right-hand door hinged on right and left-hand door hinged on left. Removable centerpost permits easy panel installation. Interlock is furnished.

Specifications

- 10 gauge steel
- Seams are continuously welded and ground smooth
- Body stiffeners in larger enclosures for extra rigidity
- Body flange trough excludes liquids and contaminants
- Heavy-duty lifting eyes anchor into reinforced top
- Heavy gauge lift-off hinges
- Heavy-duty 3-point latching mechanism operated by padlocking handle on all doors
- Rollers on ends of latch rods for easier door closing
- Data pocket is high-impact thermoplastic
- Oil-resistant door gasket
- Panel supports
- Removable 10 gauge steel panels mount on collar studs
- Bonding provision on door
- Mechanical interlock standard on each enclosure. Parts required to connect interlock system between adjacent enclosures are provided.
- Interlock rods are furnished with enclosures. Gasket kits and end plate purchased separately.
- Models available with panel include painted panel; conductive panel sold separately

Finish

ANSI 61 gray finish inside and outside over pretreated surfaces. Panels have white or conductive finish. Flat end plates are ANSI 61 gray inside and outside.

Accessories

See also Accessories.
 Blank Adapter Plates, Mild Steel
 End Plates
 PANELITE™ Enclosure Lights Overview
 Operator Adapters for Universal Cutouts
 Panels for Type 3R, 4, 4X, 12 and 13 Enclosures
 Center Panel Supports

Modification and Customization

Hoffman excels at modifying and customizing products to your specifications. Contact your local Hoffman sales office or distributor for complete information.

Bulletin: A34

Type 12 Modular Free-Stand Disconnect Enclosures and Accessories

Standard Product **Master Modular Type 12 Enclosures for Flange-Mount Disconnects, One-Door (left side open)**

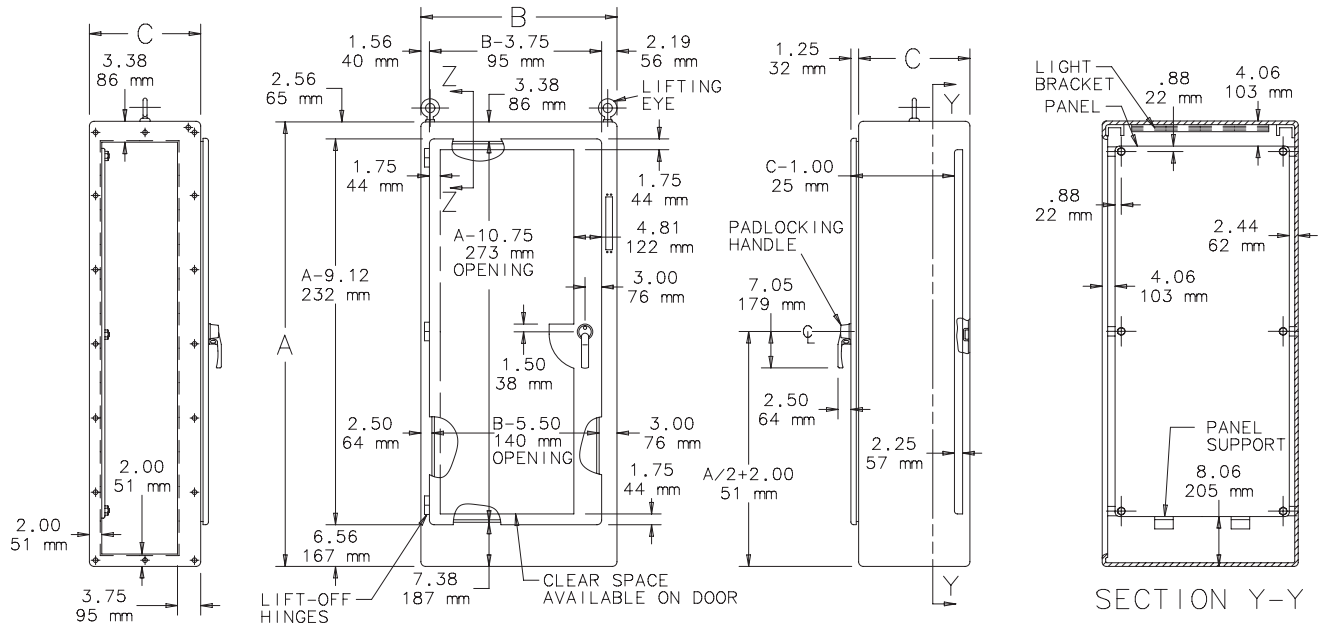
Catalog Number	AxBxC in./mm	With or Without Panel	Panel	Conductive Panel	Panel Size D x E in./mm
AMOD72X4018FTC	72.12 x 40.25 x 18.12 1832 x 1020 x 460	With	A72PM40	A72PM40G	60.00 x 33.75 1524 x 857
AMOD72X4018FTCLP	72.12 x 40.25 x 18.12 1832 x 1020 x 460	Without	—	—	—
AMOD84X4018FTC	84.12 x 40.25 x 18.12 2137 x 1020 x 460	With	A84PM40	A84PM40G	72.00 x 33.75 1829 x 857
AMOD84X4018FTCLP	84.12 x 40.25 x 18.12 2137 x 1020 x 460	Without	—	—	—
AMOD84X4024FTC	84.12 x 40.25 x 24.12 2137 x 1020 x 613	With	A84PM40	A84PM40G	72.00 x 33.75 1829 x 857
AMOD84X4024FTCLP	84.12 x 40.25 x 24.12 2137 x 1020 x 613	Without	—	—	—

All 24.12-in. (613-mm) and deeper enclosures using short connecting rods in the following models require a Hoffman platform assembly, catalog number ADSCPA, purchased separately. • ABB Controls flange-operated devices • Cutler-Hammer C361 devices • Cutler-Hammer C371 mechanisms which use C371E, F, G, K operating mechanism • General Electric Type TDA devices (see next paragraph for option) • Square D Class 9422 devices (see next paragraph for option)

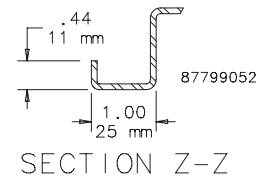
The platform assembly can be omitted if long connecting rods are ordered in place of short connecting rods. • For Cutler-Hammer operating mechanisms C371E and C371F order catalog number C371CS1 connecting rod. For C371G and C371K order catalog number C371CS2. • For General Electric devices, order catalog number TDSR extended length drive rod. • For Square D devices, order catalog number 9422-R2 extra long operating rod(s). Some devices require two rods. Consult factory for space occupied on panel when platform is used.

Enclosures with panel include a painted panel. Order conductive panels separately.

Single-Door Master Disconnect Enclosure with Provisions for Disconnect (Left Side Open)



- NOTE:
- 10 gauge steel panel is furnished with FTC enclosures. FTCLP models are less panel; panels can be purchased separately. See catalog number table for size.
 - Master door includes a removable 12.00 x 12.00 in. (305 x 305mm) data pocket.

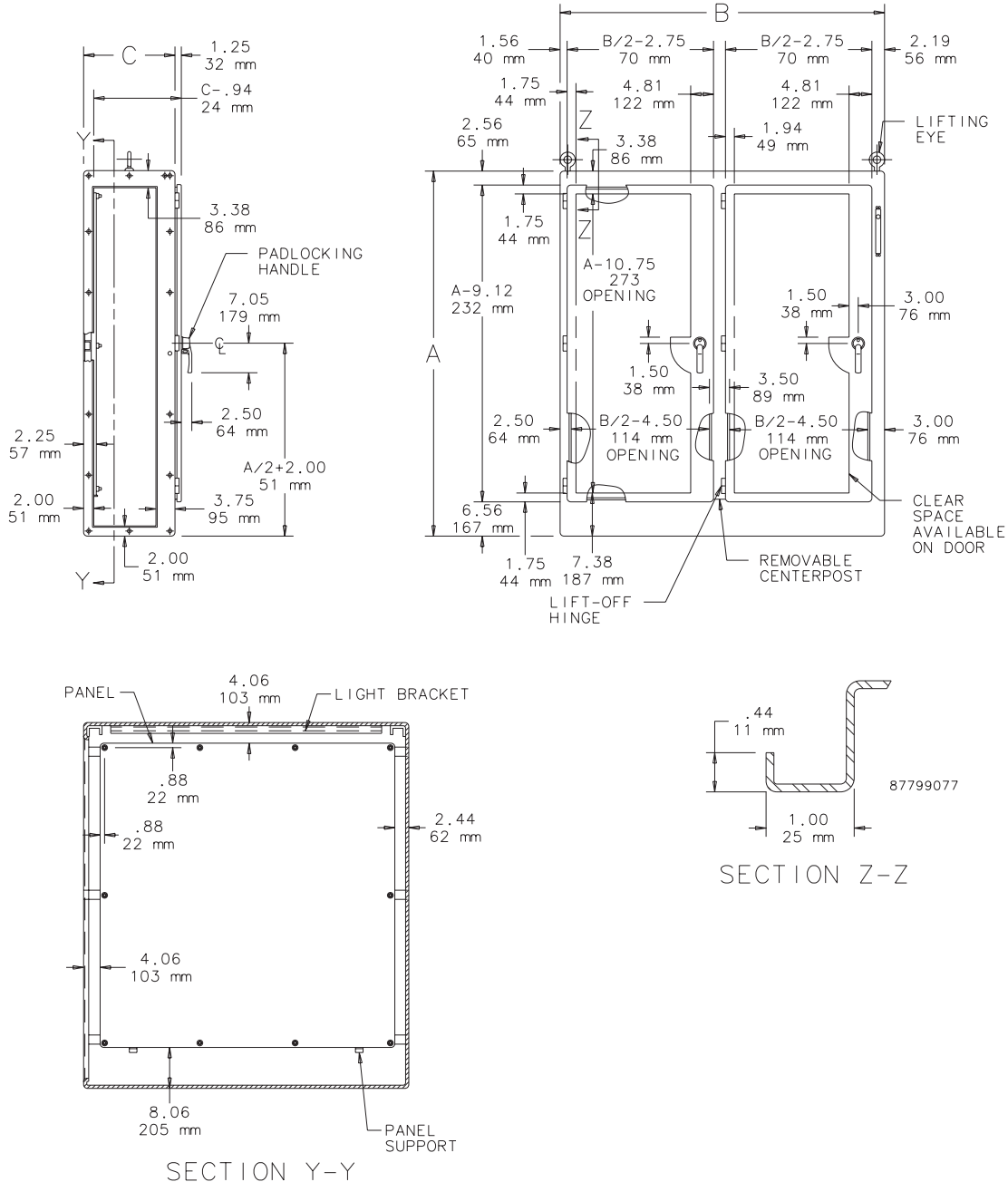


Type 12 Modular Free-Stand Disconnect Enclosures and Accessories

Standard Product **Master Modular Type 12 Enclosures for Flange-Mount Disconnects, Two-Door (left side open)**

Catalog Number	AxBxC in./mm	With or Without Panel	Panel	Conductive Panel	Panel Size D x E in./mm
AMOD72X7818FTC	72.12 x 78.50 x 18.12	With	A72PM78	A72PM78G	60.00 x 72.00
	1832 x 1994 x 460				1524 x 1829
AMOD72X7818FTCLP	72.12 x 78.50 x 18.12	Without	—	—	—
	1832 x 1994 x 460				
AMOD84X7818FTC	84.12 x 78.50 x 18.12	With	A84PM78	A84PM78G	72.00 x 72.00
	2137 x 1994 x 460				1829 x 1829
AMOD84X7818FTCLP	84.12 x 78.50 x 18.12	Without	—	—	—
	2137 x 1994 x 460				
AMOD84X7824FTC	84.12 x 78.50 x 24.12	With	A84PM78	A84PM78G	72.00 x 72.00
	2137 x 1994 x 613				1829 x 1829
AMOD84X7824FTCLP	84.12 x 78.50 x 24.12	Without	—	—	—
	2137 x 1994 x 613				

Enclosures with panel include a painted panel. Order conductive panels separately.



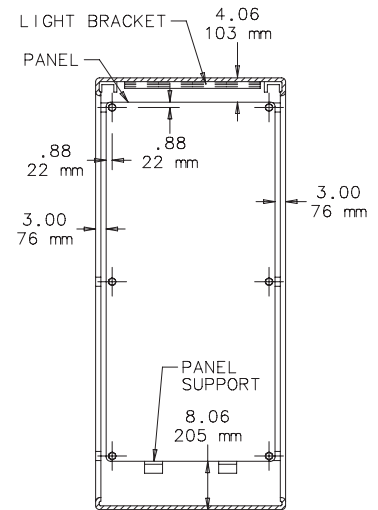
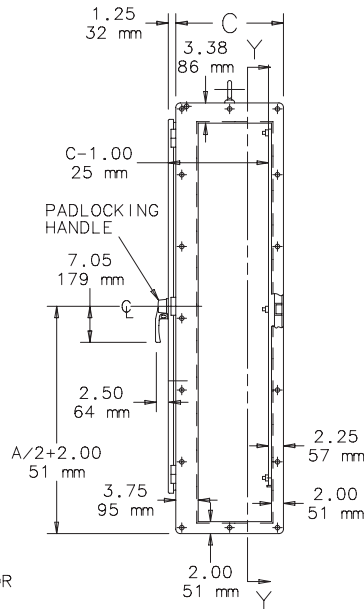
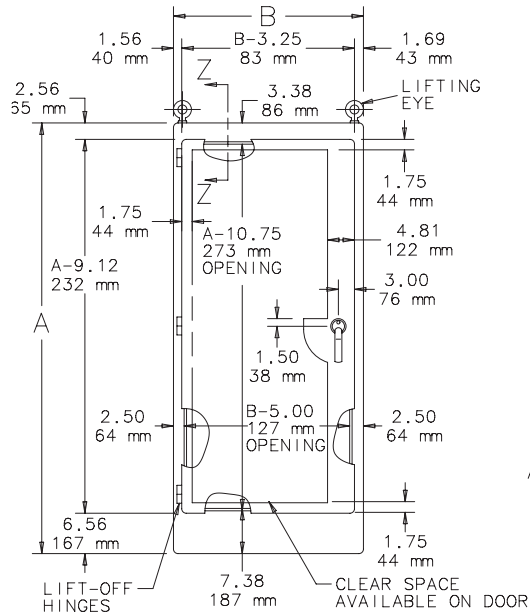
Type 12 Modular Free-Stand Disconnect Enclosures and Accessories

Standard Product **Slave Modular Type 12 Enclosures for Flange-Mount Disconnects, One-Door (both sides open)**

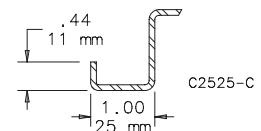
Catalog Number	AxBxC in./mm	With or Without Panel	Panel	Conductive Panel	Panel Size D x E in./mm
AMOD723918FTC	72.12 x 39.75 x 18.12 1832 x 1010 x 460	With	A72PM40	A72PM40G	60.00 x 33.75 1524 x 857
AMOD723918FTCLP	72.12 x 39.75 x 18.12 1832 x 1010 x 460	Without	—	—	—
AMOD843918FTC	84.12 x 39.75 x 18.12 2137 x 1010 x 460	With	A84PM40	A84PM40G	72.00 x 33.75 1829 x 857
AMOD843918FTCLP	84.12 x 39.75 x 18.12 2137 x 1010 x 460	Without	—	—	—
AMOD843924FTC	84.12 x 39.75 x 24.12 2137 x 1010 x 613	With	A84PM40	A84PM40G	72.00 x 33.75 1829 x 857
AMOD843924FTCLP	84.12 x 39.75 x 24.12 2137 x 1010 x 613	Without	—	—	—

Enclosures with panel include a painted panel. Order conductive panels separately.

Single-Door Slave Enclosure (Both Sides Open)



SECTION Y-Y



SECTION Z-Z

- NOTE: 1. 10 gauge steel panel is furnished with FTC enclosures. FTCLP models are less panel; panels can be purchased separately. See catalog number table for size.
2. Door hinged on left includes a removable 12.00 x 12.00 in. (305 x 305mm) data pocket.

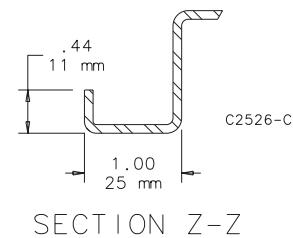
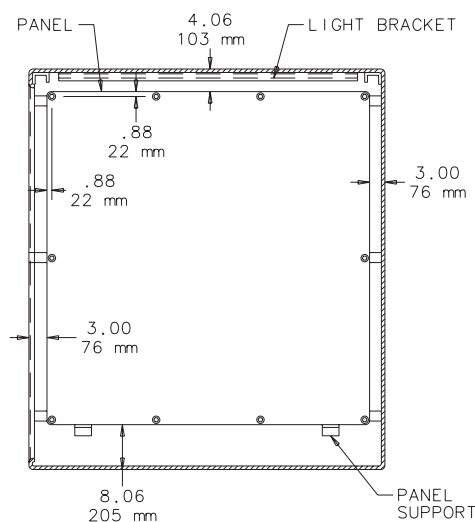
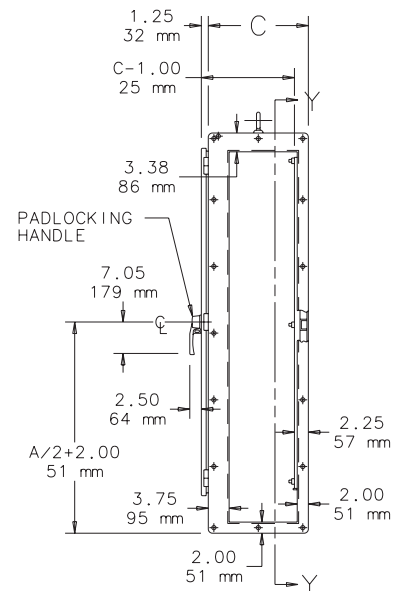
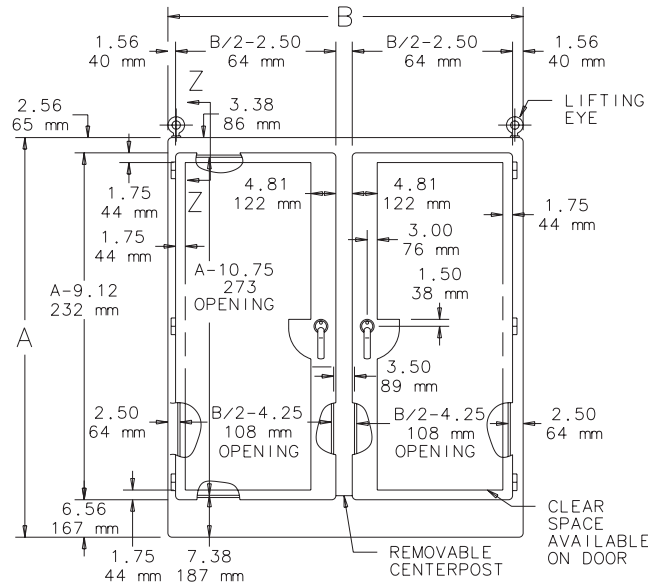
Type 12 Modular Free-Stand Disconnect Enclosures and Accessories

Standard Product **Slave Modular Type 12 Enclosures for Flange-Mount Disconnects, Two-Door (both sides open)**

Catalog Number	AxBxC in./mm	With or Without Panel	Panel	Conductive Panel	Panel Size D x E in./mm
AMOD727718FTC	72.12 x 78.00 x 18.12 1832 x 1981 x 460	With	A72PM78	A72PM78G	60.00 x 72.00 1524 x 1829
AMOD727718FTCLP	72.12 x 78.06 x 18.12 1832 x 1981 x 460	Without	—	—	—
AMOD847718FTC	84.12 x 78.00 x 18.12 2137 x 1981 x 460	With	A84PM78	A84PM78G	72.00 x 72.00 1829 x 1829
AMOD847718FTCLP	84.12 x 78.00 x 18.12 2137 x 1981 x 460	Without	—	—	—
AMOD847724FTC	84.12 x 78.00 x 24.12 2137 x 1981 x 613	With	A84PM78	A84PM78G	72.00 x 72.00 1829 x 1829
AMOD847724FTCLP	84.12 x 78.00 x 24.12 2137 x 1981 x 613	Without	—	—	—

Enclosures with panel include a painted panel. Order conductive panels separately.

Two-Door Slave Enclosure with Provisions for Disconnect (Both Sides Open)



NOTE: 10 gauge panel is furnished with FTC enclosures; see order table for size. Door hinged on left includes a removable 12.00 x 12.00 in. (305 x 305mm) data pocket.

SECTION Y-Y

Type 12 Modular Free-Stand Disconnect Enclosures and Accessories

Disconnect Mounting Space

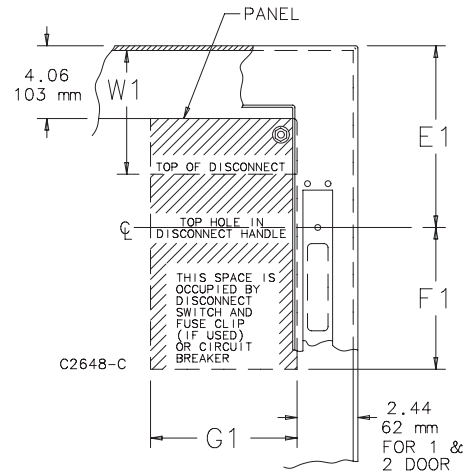
Disconnects are located by dimension E1. Wiring space W1 is available when disconnect is installed in the enclosure. See Technical Information section for E1 Spacing by Enclosure Height for various disconnect switch manufacturers.

W1 = Wiring Space.

See *Technical Information* section for wire bend space.

Refer to **NATIONAL ELECTRICAL CODE®**, 2005 article 430-10(b) for wiring space required for line side conductors to be connected to disconnect. **Verify your application to determine whether wiring space is adequate.**

Consult Space Occupied by Disconnect drawing to determine whether the disconnect device you are using will fit the enclosure size you have selected.



Consult disconnect manufacturer or see Disconnect Ordering Information at hoffmanonline.com under Technical Resources for F1 and G1 dimensions of various brands of disconnects.

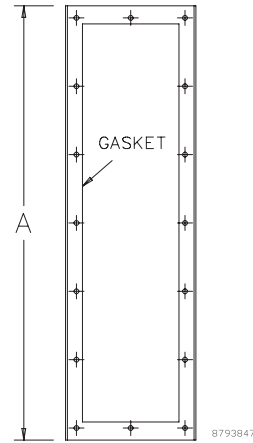
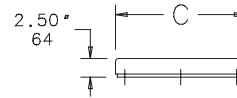
Type 12 Modular Free-Stand Disconnect Enclosures and Accessories

End Plates

Used to seal open end(s) of an assembly of modular enclosures. The 2.50-in. deep End Plates allow extra wiring space. Gasket and mounting bolts are included.

Bulletin: A34Y

Catalog Number	Ax C in./mm
AMOD72EPT	72.12 x 18.12 1832 x 460
AMOD84EPT	84.12 x 18.12 2137 x 460
AMOD8424EPT	84.12 x 24.12 2137 x 613



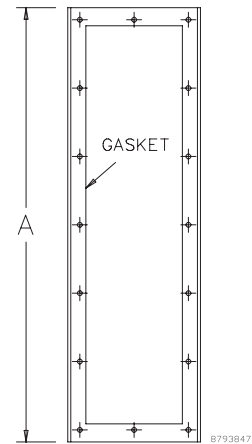
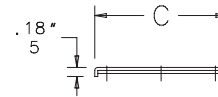
End Plate

Flat End Plates

Used to seal open end(s) of an assembly of modular enclosures. The Flat End Plate provides a low profile cover for the open end of a modular enclosure. Studs welded to the end plate eliminate bolt holes. Gasket and mounting hardware are furnished.

Bulletin: A34Y

Catalog Number	Ax C in./mm
AMOD7218FEP	72.12 x 18.12 1832 x 460
AMOD8418FEP	84.12 x 18.12 2137 x 460
AMOD8424FEP	84.12 x 24.12 2137 x 613



Flat End Plate

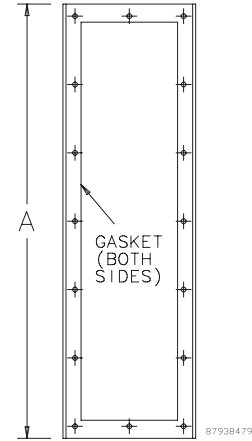
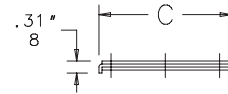
Type 12 Modular Free-Stand Disconnect Enclosures and Accessories

Barriers

Used to provide a barrier between individual enclosures in an assembly of modular enclosures. The flat plate is gasketed on both sides and inserted between two modular enclosures. Bolts and instructions are included.

Bulletin: A34Y

Catalog Number	AxC in./mm
AMOD7218BAP	72.12 x 18.12 1832 x 460
AMOD8418BAP	84.12 x 18.12 2137 x 460
AMOD8424BAP	84.12 x 24.12 2137 x 613



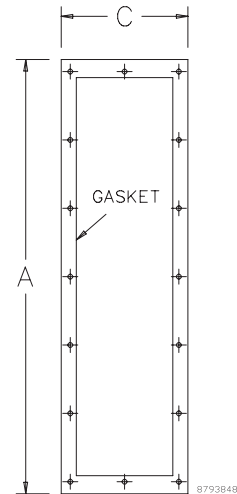
Barrier

Gasket Kit

Used to maintain enclosure rating when modular enclosures are joined together; includes a one-piece gasket, bolts and instructions.

Bulletin: A34Y

Catalog Number	AxC in./mm
AMOD7218FGK	72.12 x 18.12 1832 x 460
AMOD8418FGK	84.12 x 18.12 2137 x 460
AMOD8424FGK	84.12 x 24.12 2137 x 613



Gasket Kit

SEQUESTR® External Disconnect Preferred-Cutout Overview

SEQUESTR® Preferred-Cutout Overview



Application

The SEQUESTR® enclosures have the standard preferred cutout on the left-hand flange. They accept left-hand 1494V Allen-Bradley variable-depth devices and left-hand Class 9422 Square D variable-depth devices.

SEQUESTR cutouts are designed to house the following:

Allen-Bradley Bulletin 1494V DSX left-hand disconnect switches with flange-mount variable depth operating mechanisms and Bulletin 1494V flange-mount variable-depth operating mechanisms for circuit breakers.

These enclosures will NOT accept Allen-Bradley Bulletin 1494F disconnect devices or Bulletin 1494D circuit breaker operators.

Schneider Square D® Class 9422 disconnect switches with flange-mount left-hand variable-depth operating mechanisms and Class 9422 flange-mount left-hand variable-depth operating mechanisms for circuit breakers.

These enclosures will NOT accept Square D Class 9422 bracket-mounted disconnect devices, Class 9422TGI or TG2 devices.

Ordering

Disconnect switch (or circuit breakers), operating handle and operating mechanism are not furnished with enclosure. Consult the Hoffman Specifier's Guide Technical Information chapter for wire bend information and hoffmanonline.com for disconnect manufacturer information. Consult drawings to match the disconnect device you are using with the correct enclosure size.

A complete assembly consists of:

1. An Enclosure
2. Door interlock brackets
3. Door latching system (2-point on SEQUESTR Enclosure, 3-point on main control cabinet doors)
4. Instructions to locate and install disconnect
5. Grounding hardware kit
6. Conductive panel in SEQUESTR External Disconnect Enclosure

SEQUESTER® External Disconnect Enclosures
SEQUESTER® External Disconnect Enclosure, Type 12

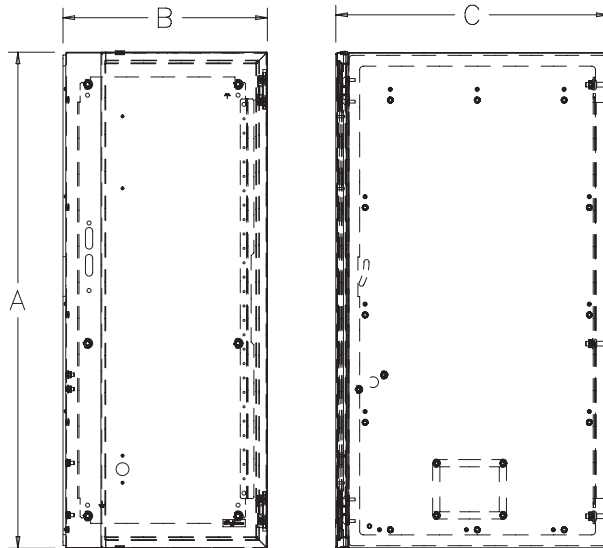
Industry Standards

 UL 508A Listed; Type 12; File No. E61997
 cUL Listed per CSA C22.2 No. 94; Type 12; File No. E61997

 NEMA/EEMAC Type 12
 CSA File No. 42186: Type 12
 IEC 60529, IP55

Standard Product External Disconnect Enclosure including back panel

Catalog Number	A (in.)	A (mm)	B (in.)	B (mm)	C (in.)	C (mm)
AXD18	34.45	875	14.00	356	18.12	460
AXD20	34.45	875	14.00	356	20.12	511
AXD24	34.45	875	14.00	356	24.12	613



87923295

Application

Retrofit disconnect enclosures to isolate incoming power and help mitigate arc flash occurrences by moving the disconnect switch to the SEQUESTER® Enclosure. Power is passed-through to the main enclosure.

Features

- Interlocks with doors of main control cabinet when the disconnect switch is powered ON
- Maintains UL Type 12 rating
- Provision for pass-through power into the main cabinet—blank plate for customer modification
- Preferred disconnect cutout
- Quarter-turn screwdriver slot latch
- Hidden hinges
- Bonding provision on door
- Conductive back panel included
- Installation hardware and templates included

Specifications

- 16 gauge steel
- Continuously welded and ground seams all around
- Hinged on right side

Finish

- ANSI 61 gray exterior and interior
- Included back panel has conductive finish

Accessories

 See also *Accessories*.
 Industrial Corrosion Inhibitors
 Touch-Up Paint

Bulletin: A70D
Optional Terminal Plates

Catalog Number	For
ATBP3060	30 and 60 amp switches
ATBP100	100 amp switches
ATBP200	200 amp switches

IP20 rated

Optional Replacement Conductive Panel

Catalog Number	Panel Size (in.)	Panel Size (mm)	Description
A31P12G	31.00 x 12.16	787 x 309	16 gauge

SEQUESTR® External Disconnect Enclosures

SEQUESTR® External Disconnect Enclosure Package, Type 12



Industry Standards

UL 508A Listed; Type 12; File No. E61997
 cUL Listed per CSA C22.2 No. 94; Type 12; File No. E61997

NEMA/EEMAC Type 12
 CSA File No. 42186: Type 12
 IEC 60529, IP55

Application

The SEQUESTR® External Disconnect Enclosure Package helps mitigate arc flash occurrences when working on interior components by isolating incoming power from the main enclosure. Shipped as one unit for new installations, the disconnect switch and fuse block/circuit breaker are mounted in the external enclosure, with terminal connections to bring power to the main enclosure.

Features

- Interlocks doors of main control cabinet when disconnect switch is powered ON
- Mechanical interlock on main control enclosure activated by master door prevents slave door from being opened first
- Provision for pass-through power into the main enclosure
- Preferred disconnect cutout
- Quarter-turn, screwdriver slot latch on SEQUESTR™ Enclosure
- Rugged POWERGLIDE® Handle with three-point latch on main control enclosure
- Grounding studs on body
- Bonding provision on door
- Conductive back panel included in SEQUESTR External Disconnect Enclosure
- Optional back panel for main control cabinet for maximum ordering flexibility
- SEQUESTR External Disconnect Enclosure is shipped unattached for easy disconnect installation

Specifications

- A28X base enclosure
- A70D external disconnect enclosure
- External disconnect enclosure 16 gauge steel; main control cabinet 10 gauge steel
- Continuously welded and ground seams all around
- Body flange trough excludes liquids and contaminants
- Heavy duty lifting eyes anchored into reinforced top
- Removable centerposts for easy back panel installation
- No disconnect cutout on main control cabinet

Finish

- SEQUESTR External Disconnect Enclosure ANSI 61 gray exterior and interior
- A28X main control cabinet ANSI 61 gray exterior and white interior
- SEQUESTR External Disconnect Enclosure back panel has conductive finish

Accessories

See also Accessories.
 Industrial Corrosion Inhibitors
 Floor Stand Kit
 PANELITE™ Enclosure Lights Overview
Bulletin: A28X1, A28X2 , A28XM

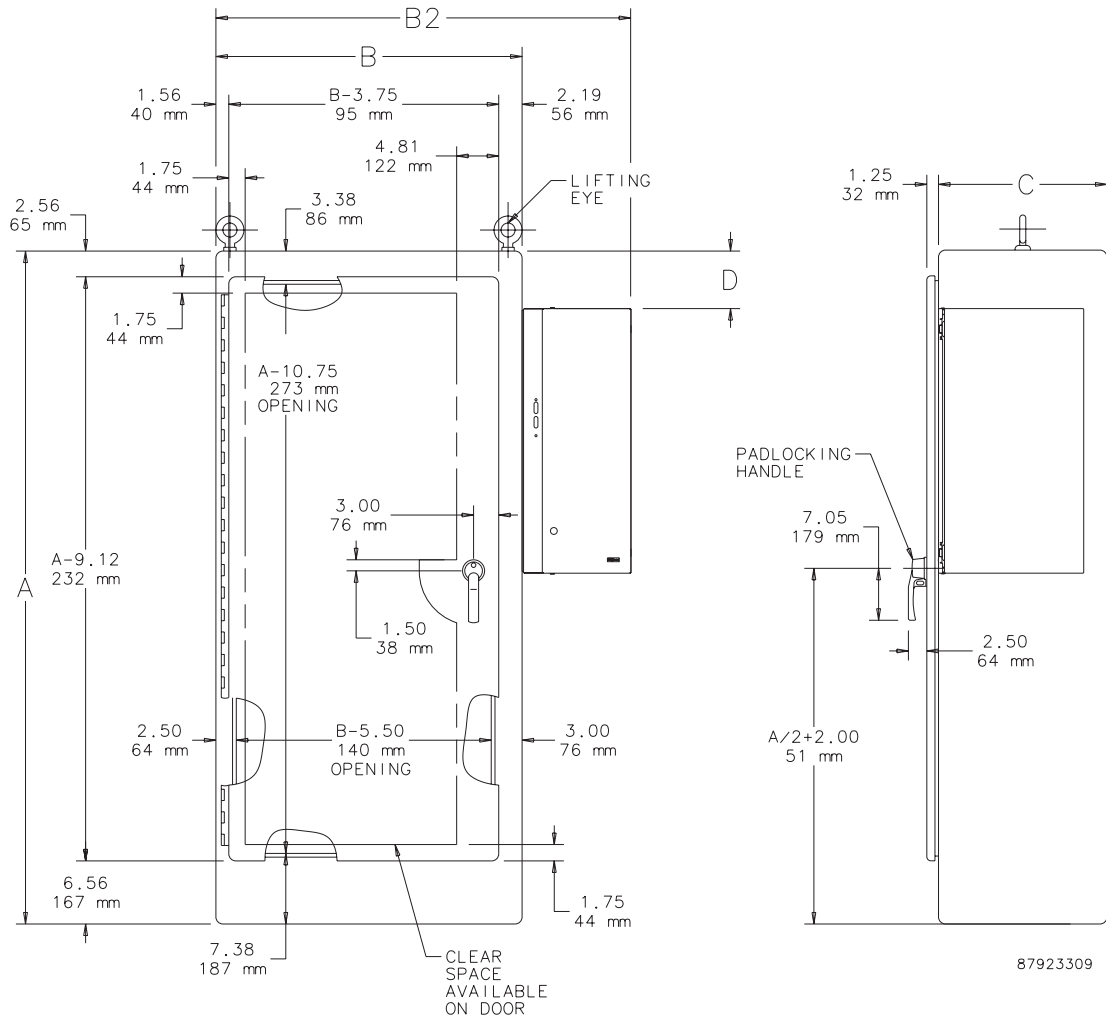
Standard Product **One-Door Enclosure**

Catalog Number	AxBxC in./mm	B2 in./mm	D in./mm	Panel	Panel Size in./mm
A72XD2818FTCLP	72.12 x 28.25 x 18.12 1832 x 718 x 460	42.25 1073	0 0	A72PM28	60.00 x 21.75 1524 x 552
A72XD3418FTCLP	72.12 x 34.25 x 18.12 1832 x 870 x 460	48.25 1226	0 0	A72PM34	60.00 x 27.75 1524 x 705
A72XD4018FTCLP	72.12 x 40.25 x 18.12 1832 x 1022 x 460	54.25 1378	0 0	A72PM40	60.00 x 33.75 1524 x 857
A84XD4018FTCLP	84.12 x 40.25 x 18.12 2137 x 1022 x 460	54.25 1378	6.00 152	A84PM40	72.00 x 33.75 1829 x 857
A90XD4018FTCLP	90.12 x 40.25 x 18.12 2289 x 1022 x 460	54.25 1378	9.00 229	A90PM40	78.00 x 33.75 1981 x 857
A90XD4020FTCLP	90.12 x 40.25 x 20.12 2289 x 1022 x 511	54.25 1378	9.00 229	A90PM40	78.00 x 33.75 1981 x 857
A84XD4024FTCLP	84.12 x 40.25 x 24.12 2137 x 1022 x 613	54.25 1378	6.00 152	A84PM40	72.00 x 33.75 1829 x 857
A90XD4024FTCLP	90.12 x 40.25 x 24.12 2289 x 1022 x 613	54.25 1378	9.00 229	A90PM40	78.00 x 33.75 1981 x 857

B dimension is large enclosure without External Disconnect Enclosure.

B2 dimension is overall size including External Disconnect Enclosure.

Purchase panels separately.



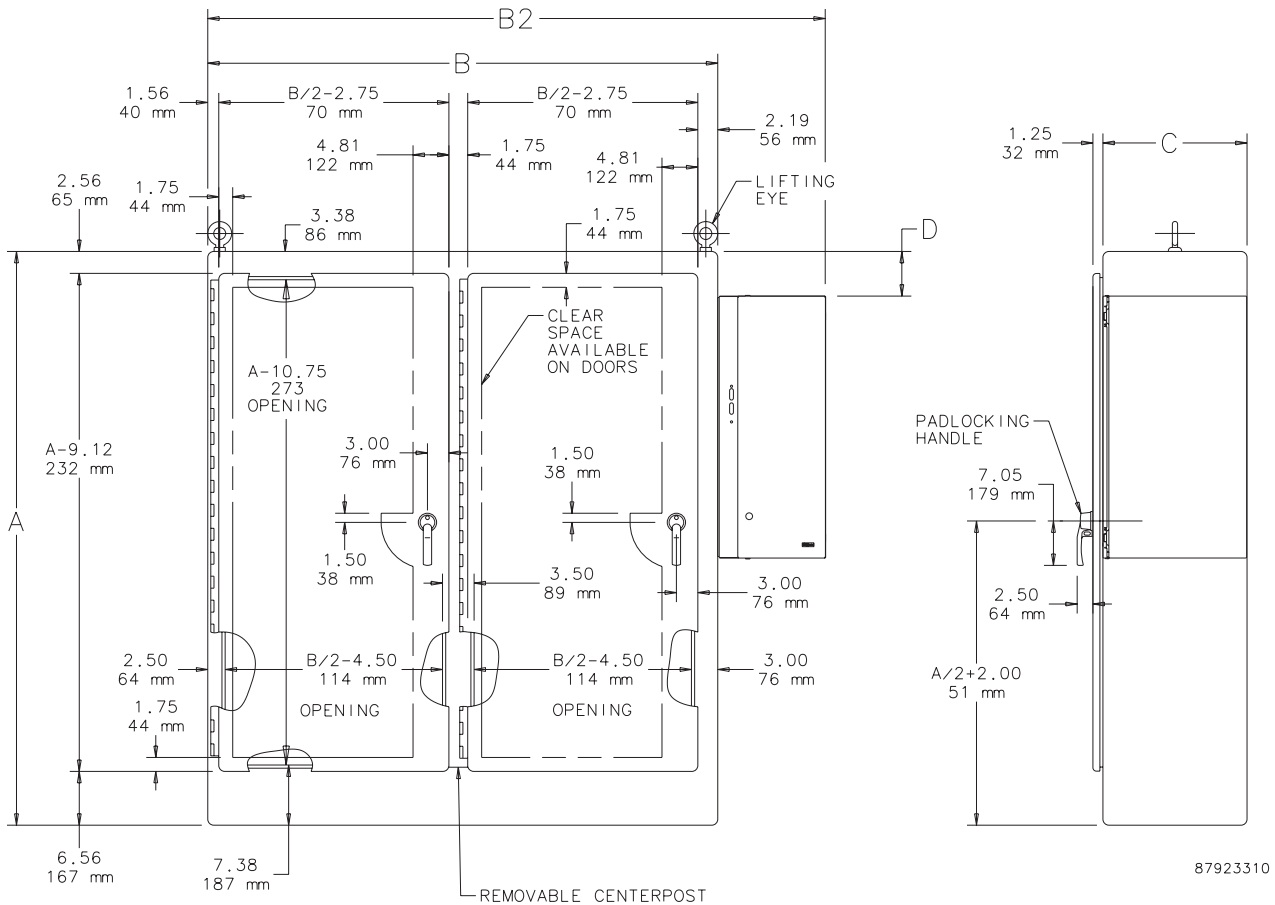
Standard Product **Two-Door Enclosures**

Catalog Number	AxBxC in./mm	B2 in./mm	D in./mm	Stiffener Locations in./mm	Panel	Panel Size in./mm
A72XD5418FTCLP	72.12 x 54.50 x 18.12	68.50	0	None	A72PM54	60.00 x 48.00
	1832 x 1384 x 460	1740	0	None		1524 x 1219
A72XD6618FTCLP	72.12 x 66.50 x 18.12	80.50	0	21.00	A72PM66	60.00 x 60.00
	1832 x 1689 x 460	2045	0	533		1524 x 1524
A72XD7818FTCLP	72.12 x 78.50 x 18.12	92.50	0	24.00	A72PM78	60.00 x 72.00
	1832 x 1994 x 460	2350	0	610		1524 x 1829
A84XD7818FTCLP	84.12 x 78.50 x 18.12	92.50	6.00	24.00	A84PM78	72.00 x 72.00
	2137 x 1994 x 460	2350	152	910		1829 x 1829
A90XD7818FTCLP	90.12 x 78.50 x 18.12	92.50	9.00	24.00	A90PM78	78.00 x 72.00
	2289 x 1994 x 460	2350	229	610		1981 x 1829
A90XD7820FTCLP	90.12 x 78.50 x 20.12	92.50	9.00	24.00	A90PM78	78.00 x 72.00
	2289 x 1994 x 511	2350	229	610		1981 x 1829
A72XD7824FTCLP	72.12 x 78.50 x 24.12	92.50	0	24.00	A72PM78	60.00 x 72.00
	1832 x 1994 x 613	2350	0	610		1524 x 1829
A84XD7824FTCLP	84.12 x 78.50 x 24.12	92.50	6.00	24.00	A84PM78	72.00 x 72.00
	2137 x 1994 x 613	2350	152	610		1829 x 1829
A90XD7824FTCLP	90.12 x 78.50 x 24.12	92.50	9.00	24.00	A90PM78	78.00 x 72.00
	2289 x 1994 x 613	2350	229	610		1981 x 1829

B dimension is large enclosure without External Disconnect Enclosure.

B2 dimension is overall size including External Disconnect Enclosure.

Purchase panels separately.



87923310

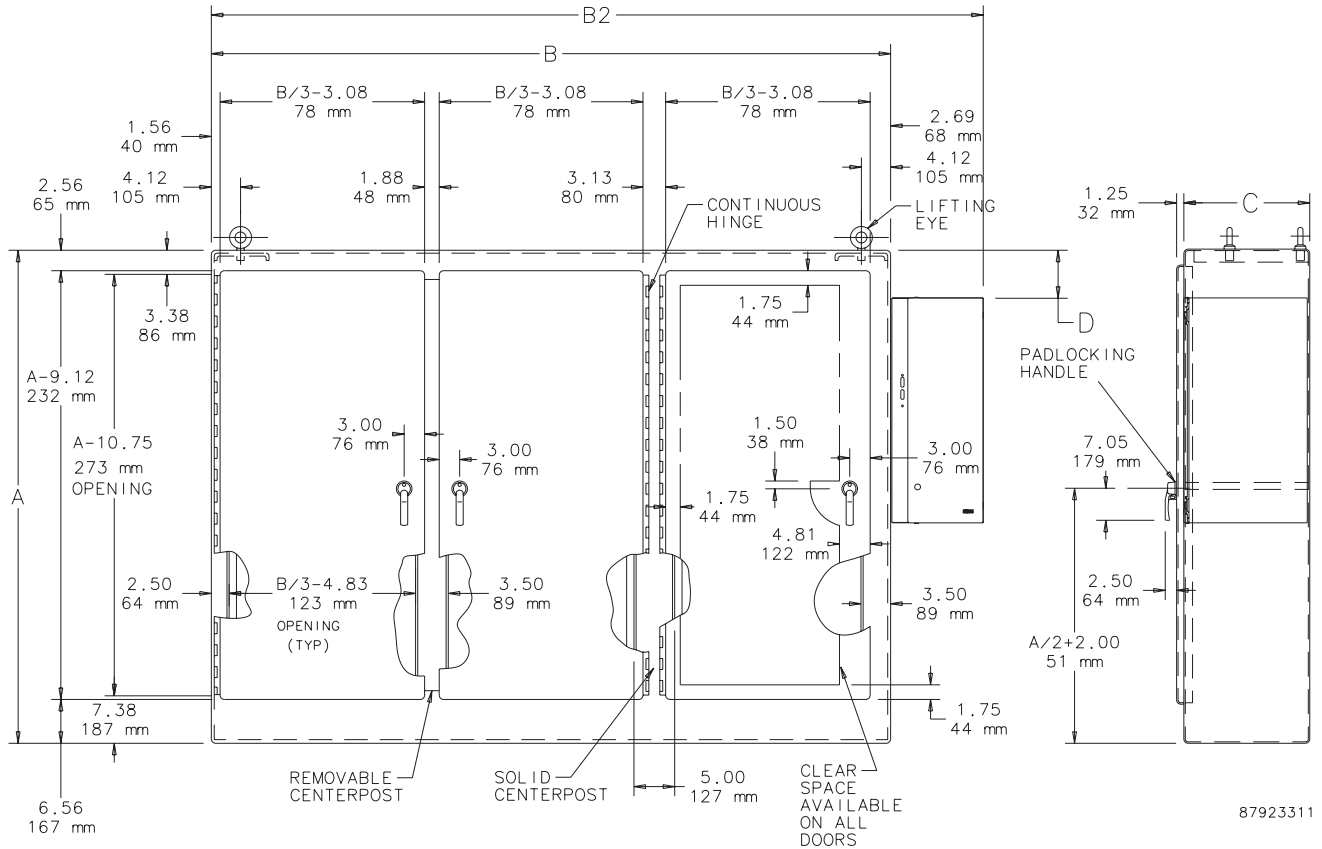
Standard Product **Three-Door Enclosures**

Catalog Number	AxBxC in./mm	B2 in./mm	D in./mm	Large Panel	Number of Large Panels	Size of Large Panels in./mm	Small Panel	Number of Small Panels	Size of Small Panels in./mm
A72XD3EQ18FTCLP	72.12 x 100.75 x 18.12	114.75	0	A72PM66	1	60.00 x 60.00	A72PM34	1	60.00 x 27.75
	1832 x 2559 x 460	2915	0			1524 x 1524			1524 x 705
A72XD3EW18FTCLP	72.12 x 118.75 x 18.12	132.75	0	A72PM78	1	60.00 x 72.00	A72PM40	1	60.00 x 33.75
	1832 x 3016 x 460	3372	0			1524 x 1829			1524 x 857
A84XD3EW18FTCLP	84.12 x 118.75 x 18.12	132.75	6.00	A84PM78	1	72.00 x 72.00	A84PM40	1	72.00 x 33.75
	2137 x 3016 x 460	3372	152			1829 x 1829			1829 x 857
A84XD3EW24FTCLP	84.12 x 118.75 x 24.12	132.75	6.00	A84PM78	1	72.00 x 72.00	A84PM40	1	72.00 x 33.75
	2137 x 3016 x 613	3372	152			1829 x 1829			1829 x 857
A90XD3EW24FTCLP	90.12 x 118.75 x 24.12	132.75	9.00	A90PM78	1	78.00 x 72.00	A90PM40	1	78.00 x 33.75
	2289 x 3016 x 613	3372	229			1981 x 1829			1981 x 857

B dimension is large enclosure without External Disconnect Enclosure.

B2 dimension is overall size including External Disconnect Enclosure.

Purchase panels separately.



SEQUESTR® External Disconnect Enclosures

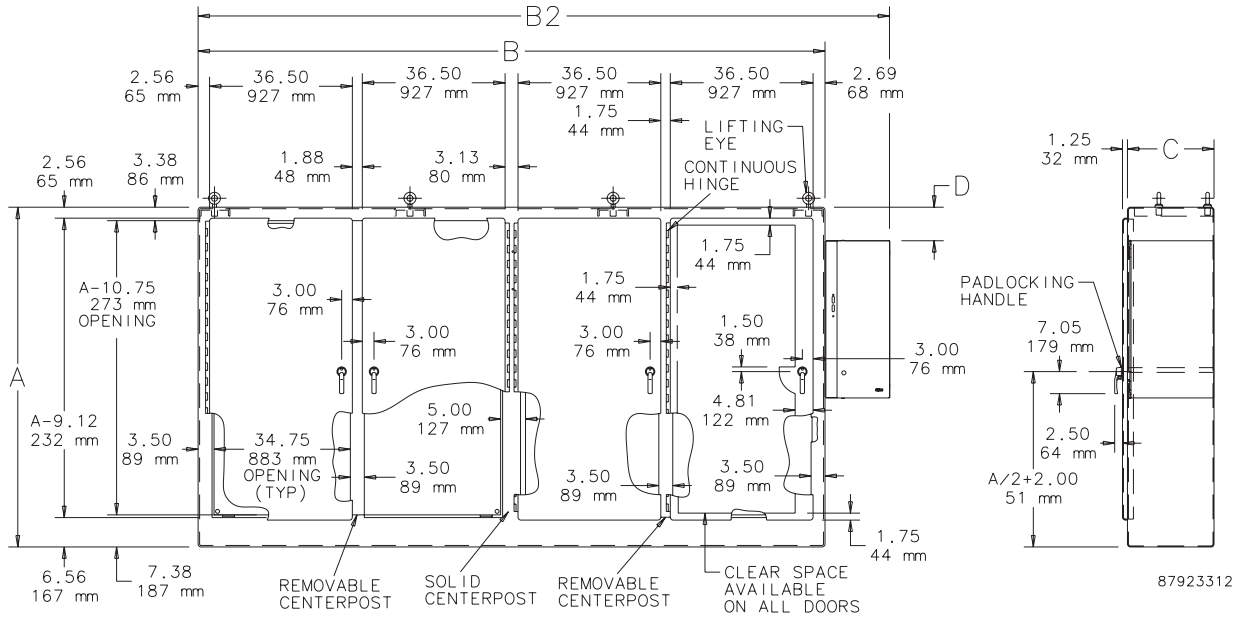
Standard Product **Four-Door Enclosures**

Catalog Number	AxBxC in./mm	B2 in./mm	D in./mm	Large Panel	Number of Panels	Size of Panels in./mm
A84XD4EW18FTCLP	84.12 x 158.00 x 18.12 2137 x 4013 x 460	172.00 4369	6.00 152	A84PM78	2	72.00 x 72.00 1829 x 1829
A90XD4EW18FTCLP	90.12 x 158.00 x 18.12 2289 x 4013 x 460	172.00 4369	9.00 229	A90PM78	2	78.00 x 72.00 1981 x 1829
A84XD4EW24FTCLP	84.12 x 158.00 x 24.12 2137 x 4013 x 613	172.00 4369	6.00 152	A84PM78	2	72.00 x 72.00 1829 x 1829
A90XD4EW24FTCLP	90.12 x 158.00 x 24.12 2289 x 4013 x 613	172.00 4369	9.00 229	A90PM78	2	78.00 x 72.00 1981 x 1829

B dimension is large enclosure without External Disconnect Enclosure.

B2 dimension is overall size including External Disconnect Enclosure.

Purchase panels separately.



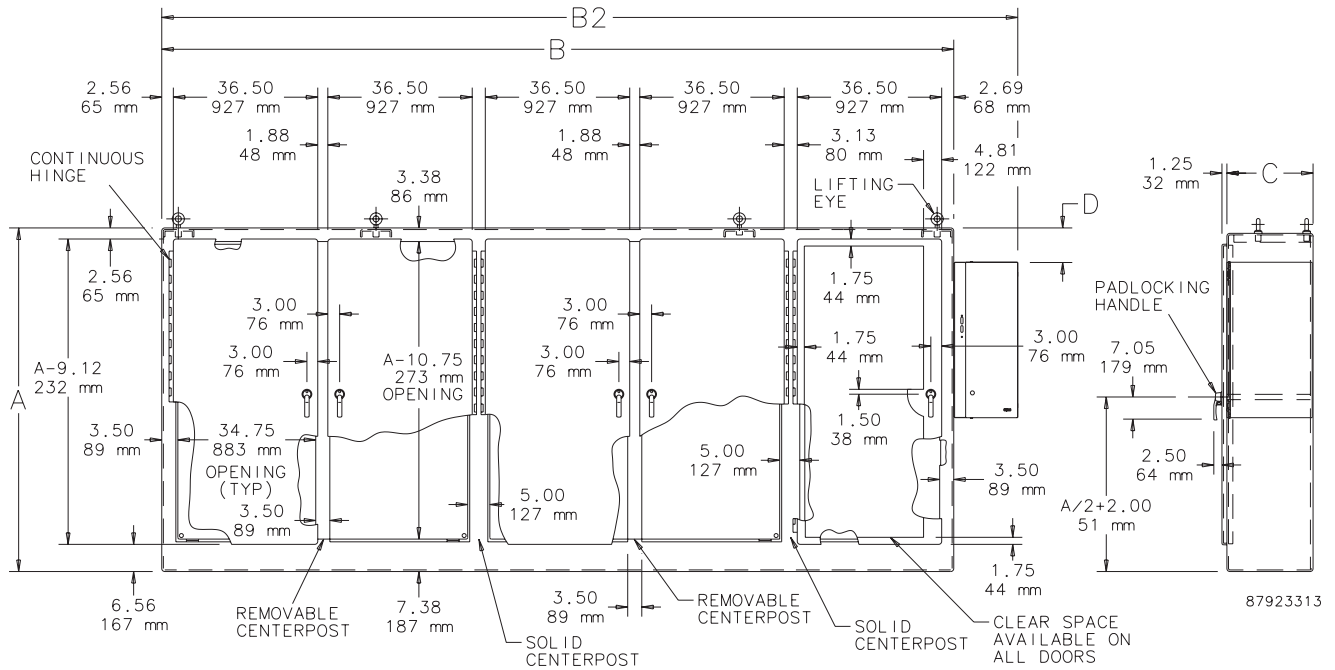
Standard Product **Five-Door Enclosures**

Catalog Number	AxBxC in./mm	B2 in./mm	D in./mm	Large Panel	Number of Large Panels	Size of Large Panels in./mm	Small Panel	Number of Small Panels	Size of Small Panels in./mm
A84XD5EW18FTCLP	84.12 x 197.75 x 18.12 2137 x 5023 x 460	211.00 5359	6.00 152	A84PM78	1	72.00 x 72.00 1829 x 1829	A84PM40	1	72.00 x 33.75 1829 x 857
A90XD5EW18FTCLP	90.12 x 197.75 x 18.12 2289 x 5023 x 460	211.00 5359	9.00 229	A90PM78	1	78.00 x 72.00 1981 x 1829	A90PM40	1	78.00 x 33.75 1981 x 857
A84XD5EW24FTCLP	84.12 x 197.75 x 24.12 2137 x 5023 x 613	211.00 5359	6.00 152	A84PM78	1	72.00 x 72.00 1829 x 1829	A84PM40	1	72.00 x 33.75 1829 x 857
A90XD5EW24FTCLP	90.12 x 197.75 x 24.12 2289 x 5023 x 613	211.00 5359	9.00 229	A90PM78	1	78.00 x 72.00 1981 x 1829	A90PM40	1	78.00 x 33.75 1981 x 857

B dimension is large enclosure without External Disconnect Enclosure.

B2 dimension is overall size including External Disconnect Enclosure.

Purchase panels separately.



SEQUESTR® External Disconnect Enclosures

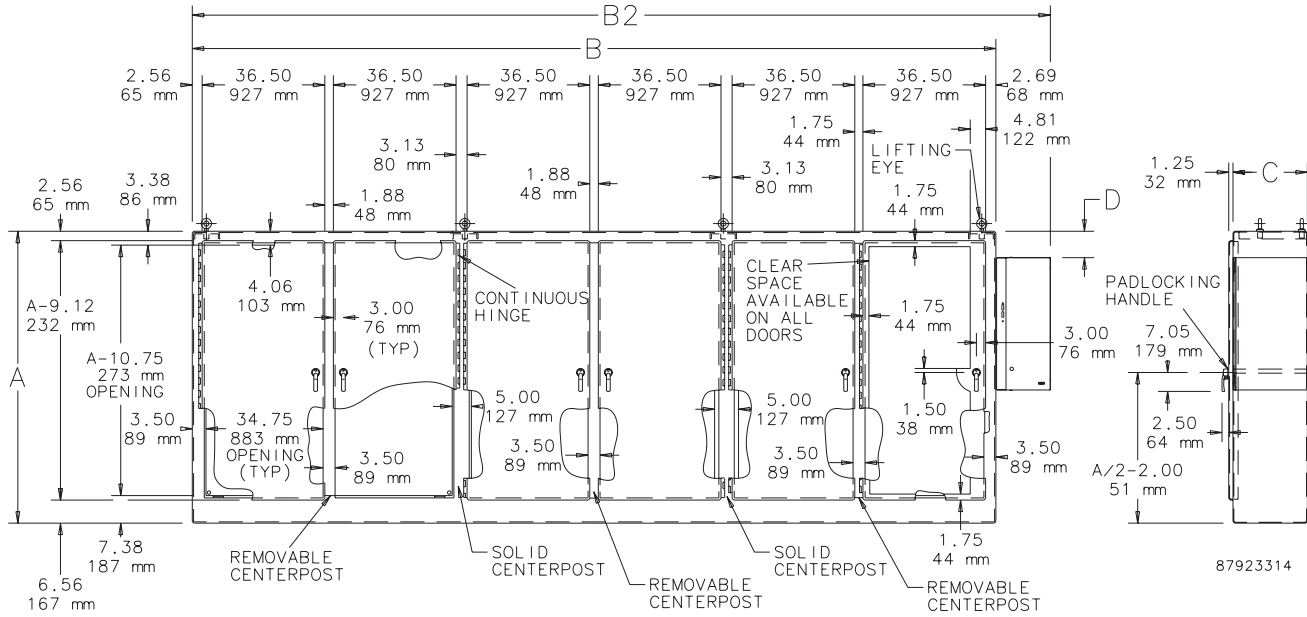
Standard Product Six-Door Enclosure

Catalog Number	AxBxC in./mm	B2 in./mm	D in./mm	Large Panel	Number of Large Panels	Size of Panels in./mm
A84XD6EW24FTCLP	84.12 x 236.00 x 24.12	250.00	6.00	A84PM78	3	72.00 x 72.00
	2137 x 5994 x 613	6350	152			1829 x 1829
A90XD6EW24FTCLP	90.12 x 197.75 x 24.12	250.00	9.00	A90PM78	3	78.00 x 72.00
	2289 x 5023 x 613	6350	229			1981 x 1829

B dimension is large enclosure without External Disconnect Enclosure.

B2 dimension is overall size including External Disconnect Enclosure.

Purchase panels separately.



Optional Terminal Plates

Catalog Number	For
ATBP3060	30 and 60 amp switches
ATBP100	100 amp switches
ATBP200	200 amp switches

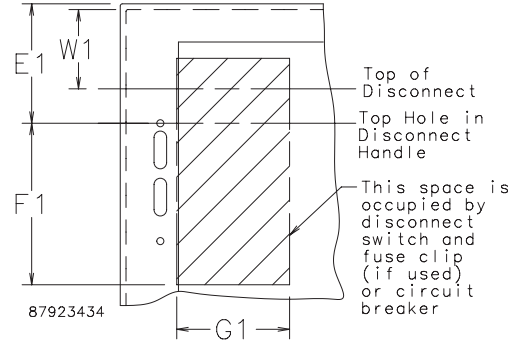
Terminal Plates are IP20 rated.

Disconnect Mounting Space

Disconnects are located by dimension E1. Wiring space W1 is available when disconnect is installed in the enclosure. See the Hoffman Specifier's Guide Technical Information chapter for E1 Spacing by Enclosure Height for various disconnect switch manufacturers.

Refer to **National Electrical Code® 2005** article 430.10(B) for wiring space required for line side conductors to be connected to disconnect. **Verify your application to determine if wiring space is adequate.**

Consult Space Occupied by Disconnect drawing to determine whether the disconnect device you are using will fit the enclosure size you have selected.



Consult disconnect manufacturer or see Disconnect Ordering Information at hoffmanonline.com under Technical Resources for F1 and G1 dimensions of various brands of disconnects.

Accessories for Free-Stand or Floor-Mount Disconnect Enclosures

Operator Adapters for Universal Cutouts



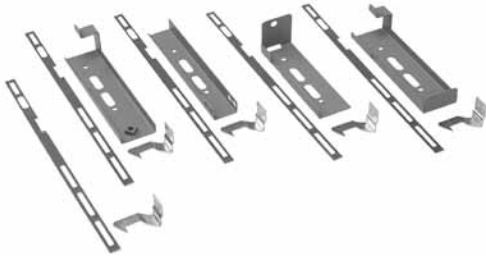
Used on all Hoffman disconnect enclosures with a universal flange cutout.

An operator adapter is required to install a disconnect in Bulletin A21, A28 and A34 Hoffman enclosures that have a universal cutout. Operator adapters include an adapter plate and additional components needed to interlock the master door with the disconnect operating mechanism. Panel drilling and installation instructions are furnished with each operator adapter. Each brand and type of disconnect requires a different operator adapter. Be sure to select the correct operator adapter and enclosure for the disconnect device selected.

Bulletin: A80

Catalog Number	Brand and Type of Operator
A21ABA	Allen-Bradley 1494F and 1494D fixed-depth mechanisms
A21ABVA	Allen-Bradley 1494V variable-depth mechanisms;
A21CHVA	Allen-Bradley 140U, 1494C, and 194RC cable-operated mechanisms
A21CHVA	ABB Controls variable-depth;
A21WHA	S1, S2, T5 cable size; Cutler-Hammer C361, C371, and C371 Flex Shaft
A21WHAMTA	Eaton Cutler-Hammer/Westinghouse SM mechanisms
A21WHAMTA	Eaton Cutler-Hammer/Westinghouse AMT and flex-cable mechanisms
A21GETDA	General Electric STDA and flex-cable mechanisms
A21ITE	Siemens I-T-E Max-Flex™ ; ABB Controls Cable S3-S5, S6, S7
A21SDA	Square D® Class 9422 variable-depth and flex-cable mechanisms

Operator Adapters for Preferred Cutouts



An operator adapter is required to install a disconnect in Bulletin A21S4, A28S4 and WS2D Hoffman enclosures that have a preferred cutout. Operator adapters include components needed to interlock the master door with the disconnect operating mechanism. Panel drilling and installation instructions are furnished with each operator adapter.

Each brand and type of disconnect requires a different operator adapter. Be sure to select the proper operator adapter and enclosure for the disconnect that you have selected.

Bulletin: A28Y

Catalog Number	Brand and Type of Operator
APCABVA	Allen-Bradley 1494V variable-depth
APCCHVA	Eaton Cutler-Hammer C361, C371 and C371 Flex Shaft™
APCGETDA	General Electric STDA
APCITE	Siemens I-T-E Max-Flex™
APCSDA	Schneider Square D® Class 9422 variable-depth and cable mechanisms

Blank Adapter Plates, Mild Steel



Used to cover flange cutouts in disconnect enclosures when disconnects are not installed. This greatly increases the versatility of disconnect enclosures enabling them to also be used as regular Type 12 enclosures.

Hoffman adapter plates are made from heavy gauge steel and have an oil-resistant gasket to maintain a dust-tight and oil-tight seal. Mounting hardware and instructions are included.

Door hardware is not furnished with blank adapter plate. Door hardware must be ordered separately from the disconnect manufacturer when using catalog numbers A22BAP on Bulletin A22 Enclosures and A3456BAP on Bulletin A25 Enclosures.

Bulletin: A80

Catalog Number	For Mild Steel Enclosure Bulletin Number
A21BAP	A21, A28, A34 (Universal Cutouts)
A22BAP	A22 only
A3456BAP	A19, CW1, A25, A26 (Preferred Cutouts)

A22BAP will fit all Bulletin A22 enclosures except A48AB3812A2LP and A60AB3812A2LP.

A3456BAP will fit all Bulletin A25 enclosures except A60SA3812A24LP.

Accessories for Free-Stand or Floor-Mount Disconnect Enclosures

Blank Adapter Plates, Stainless Steel

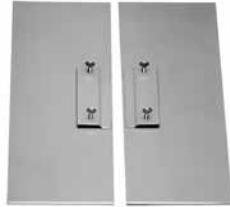


Used to cover flange cutouts in disconnect enclosures when disconnects are not installed. Hoffman adapter plates are made from heavy gauge Type 304 stainless steel and have an oil-resistant gasket to maintain the dust-tight and oil-tight qualities of the enclosure. The plates have a #4 brushed finish. All necessary mounting hardware and instructions are included.

Bulletin: A80

Catalog Number	For Enclosure Bulletin Number
A2128BAPSS	A19S, CWS, A21S4, A28S4 and WS2D with preferred cutouts

Enclosure Stabilizers



Helps prevent injury to workers by stabilizing floor-mount enclosures which are not bolted down. To install, slip the stabilizer under the floor stand and tighten two thumb screws. Made from .19-in. (5-mm) steel plate. Bright orange finish.

Bulletin: A80

Catalog Number	Description
AENST	Two stabilizers

Platform Assembly

Application

The Platform Assembly is a 6.00-in. (152-mm) high spacer that is required with all 24.12-in. (613-mm) and deeper disconnect enclosures when short connecting rods are used with the following disconnect models.

- ABB Controls flange-operated devices
- Cutler-Hammer C361 devices
- Cutler-Hammer C371 mechanisms which use C371E, F, G, K operating mechanism (see next paragraph for option)
- General Electric Type TDA devices
- Square D® Class 9422 devices

Consult factory for space occupied on panel when platform is used.

Ordering

The platform assembly can be omitted if long connecting rods are ordered in place of short connecting rods.

- For Cutler-Hammer Operating mechanisms C371E and C371F, order catalog number C371CS1 connecting rod. For C371G and C371K, order catalog number C371CS2 connecting rod.
- For General Electric devices, order catalog number TDSR extended length drive rod.
- For Square D devices, order catalog number 9422-R2 extra long operating rod(s). Some devices require two rods.

Bulletin: A28Y

Catalog Number	Description
ADSCPA	Set of 4 rods and mounting hardware

