

Parts Catalog

SPORTSMAN 6X6 MV A07CL50MA

2007

9921127
Parts Manual



POLARIS[®]
The Way Out.



Read the Operator's manual entirely. When you see this symbol, the subsequent instructions and warnings are serious - follow without exception. Your life and the lives of others depend on it!

© Copyright 2006 Printed 08/21/06

Cover photo may show optional equipment not supplied with standard unit.

Table of Contents

Selected Models

Illustrated Parts Lists.....	4
AIR BOX.....	4
BRAKE CALIPER MOUNTING, REAR.....	6
BRAKE CALIPER, FRONT.....	8
BRAKE CALIPER, REAR.....	10
BRAKE, HAND/BRAKE LINE.....	12
BRAKE, REAR/BRAKE LINE.....	14
CAB, FRONT.....	16
CAB, REAR and SEAT.....	18
CLUTCH COVER.....	20
CLUTCH, DRIVE.....	22
CLUTCH, DRIVEN.....	24
CONTROLS, THROTTLE ASM/CABLE.....	26
COOLING SYSTEM.....	28
DECALS.....	30
DRIVE, MIDDLE.....	32
DRIVE, REAR.....	34
DUMP BOX.....	36
ELECTRICAL.....	38
ENGINE, CARBURETOR.....	40
ENGINE, CARBURETOR MOUNTING/VENTING/FUEL LINES.....	42
ENGINE, CRANKCASE.....	44
ENGINE, CRANKSHAFT and PISTON.....	46
ENGINE, CYLINDER.....	48
ENGINE, FUEL PUMP.....	50
ENGINE, INTAKE and EXHAUST.....	52
ENGINE, MAGNETO.....	54
ENGINE, MOUNTING.....	56
ENGINE, OIL FILTER.....	58
ENGINE, OIL PUMP.....	60
ENGINE, RECOIL STARTER.....	62
ENGINE, STARTING MOTOR.....	64
ENGINE, WATER PUMP.....	66
EXHAUST SYSTEM.....	68
FUEL SYSTEM.....	70
GEAR SELECTOR.....	72
GEARCASE, FRONT.....	74
HANDLEBAR and HEADLIGHT POD.....	76
IGNITION SWITCH/CHOKE.....	78
OIL TANK.....	80
RACK, FRONT and BUMPER MOUNTING.....	82
SHAFT, DRIVE.....	84
SHAFT, PROP.....	86
SPEEDOMETER.....	88
STEERING POST.....	90
STORAGE, FRONT.....	92
SUSPENSION, FRONT.....	94
SUSPENSION, STRUT STABILIZER, REAR.....	96
SUSPENSION, STRUT, FRONT.....	98
SWING ARM, REAR.....	100
SWING ARM/SHOCK MOUNTING.....	102
TOOL KIT.....	104
TRANSMISSION.....	106

TRANSMISSION, INTERNAL.....*	108
TRANSMISSION, MOUNTING.....	110
TRANSMISSION, OUTPUT.....	112
TRANSMISSION, SELECTOR MOUNTING.....	114
WHEEL, FRONT.....	116
WHEEL, REAR and MIDDLE.....	118
WINCH and BRUSH GUARD.....	120
WINCH SWITCH and HOOK.....	122

Part Number Index.....	124
Part Description Index.....	128

© Copyright 2006. All rights reserved.

Polaris Industries provides this publication as is without warranty of any kind, either expressed or implied. While every precaution has been taken in the preparation of this manual, Polaris assumes no responsibility for errors or omissions. Neither is any liability assumed for damages resulting from the use of the information contained herein. Polaris reserves the right to revise and improve its products as it sees fit. This publication describes the state of this product at the time of its publication, and may not reflect the product in the future. The illustrations in this manual are not intended for safe and proper assembly or disassembly of equipment. The illustrations are intended for ordering parts only.

Polaris is registered trademark.

All other brands and product names are trademarks or registered trademarks of their respective holders.

Printed in the United States of America.



Alphabetized Table of Contents

A
AIR BOX.....4

B
BRAKE CALIPER MOUNTING, REAR.....6
BRAKE CALIPER, FRONT.....8
BRAKE CALIPER, REAR.....10
BRAKE, HAND/BRAKE LINE.....12
BRAKE, REAR/BRAKE LINE.....14

C
CAB, FRONT.....16
CAB, REAR and SEAT.....18
CLUTCH COVER.....20
CLUTCH, DRIVE.....22
CLUTCH, DRIVEN.....24
CONTROLS, THROTTLE ASM/CABLE.....26
COOLING SYSTEM.....28

D
DECALS.....30
DRIVE, MIDDLE.....32
DRIVE, REAR.....34
DUMP BOX.....36

E
ELECTRICAL.....38
ENGINE, CARBURETOR.....40
ENGINE, CARBURETOR MOUNTING/VENTING/FUEL LINES.....42
ENGINE, CRANKCASE.....44
ENGINE, CRANKSHAFT and PISTON.....46
ENGINE, CYLINDER.....48
ENGINE, FUEL PUMP.....50
ENGINE, INTAKE and EXHAUST.....52
ENGINE, MAGNETO.....54
ENGINE, MOUNTING.....56
ENGINE, OIL FILTER.....58
ENGINE, OIL PUMP.....60
ENGINE, RECOIL STARTER.....62
ENGINE, STARTING MOTOR.....64
ENGINE, WATER PUMP.....66
EXHAUST SYSTEM.....68

F
FUEL SYSTEM.....70

G
GEAR SELECTOR.....72
GEARCASE, FRONT.....74

H
HANDLEBAR and HEADLIGHT POD.....76

I
IGNITION SWITCH/CHOKE.....78

O
OIL TANK.....80

R
RACK, FRONT and BUMPER MOUNTING.....82

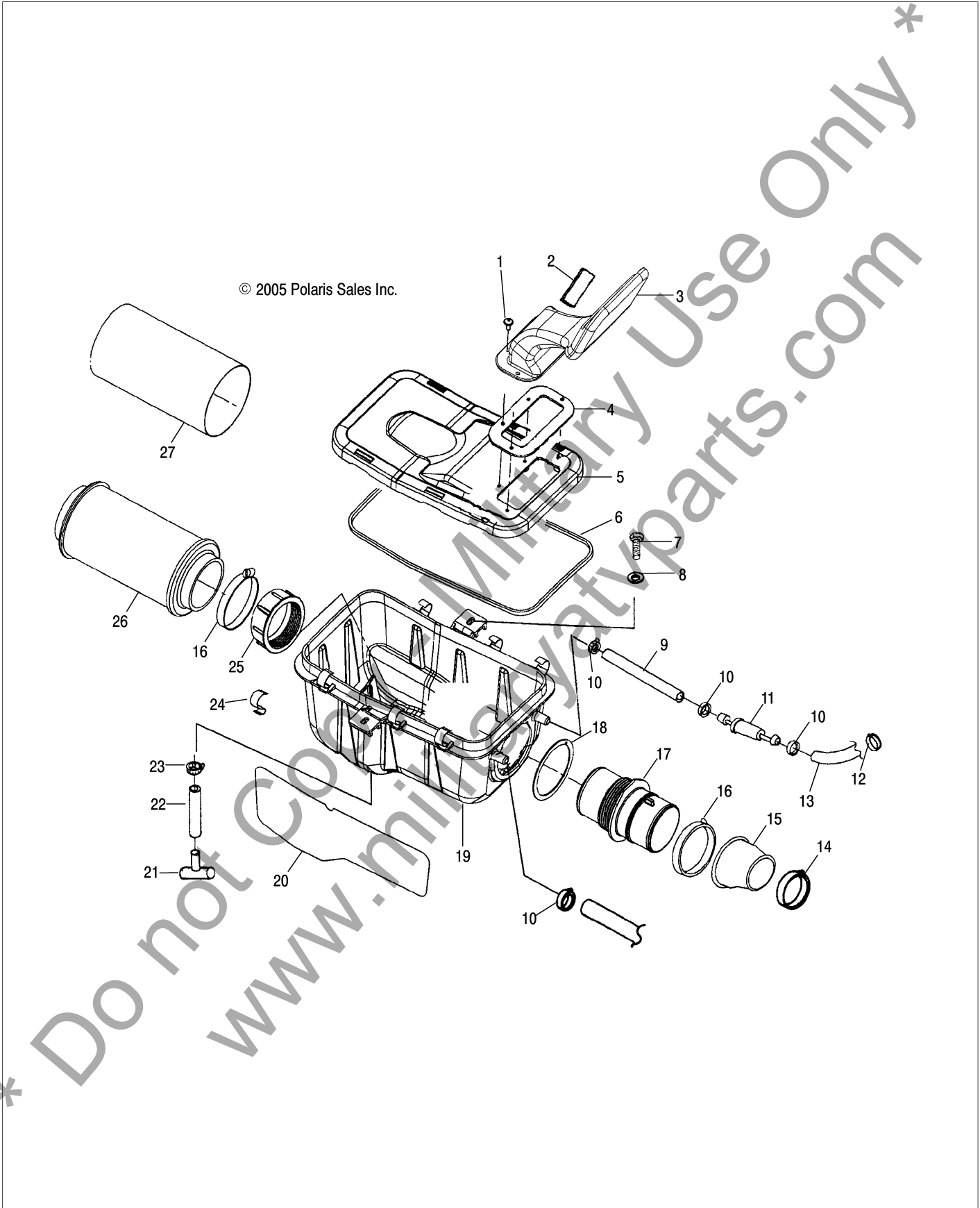
S
SHAFT, DRIVE.....84
SHAFT, PROP.....86
SPEEDOMETER.....88
STEERING POST.....90
STORAGE, FRONT.....92
SUSPENSION, FRONT.....94
SUSPENSION, STRUT STABILIZER, REAR.....96
SUSPENSION, STRUT, FRONT.....98
SWING ARM, REAR.....100
SWING ARM/SHOCK MOUNTING.....102

T
TOOL KIT.....104
TRANSMISSION.....106
TRANSMISSION, INTERNAL.....108
TRANSMISSION, MOUNTING.....110
TRANSMISSION, OUTPUT.....112
TRANSMISSION, SELECTOR MOUNTING.....114

W
WHEEL, FRONT.....116
WHEEL, REAR and MIDDLE.....118
WINCH and BRUSH GUARD.....120
WINCH SWITCH and HOOK.....122

AIR BOX

Applies to A07CL50MA [4999201649920164C05]



AIR BOX

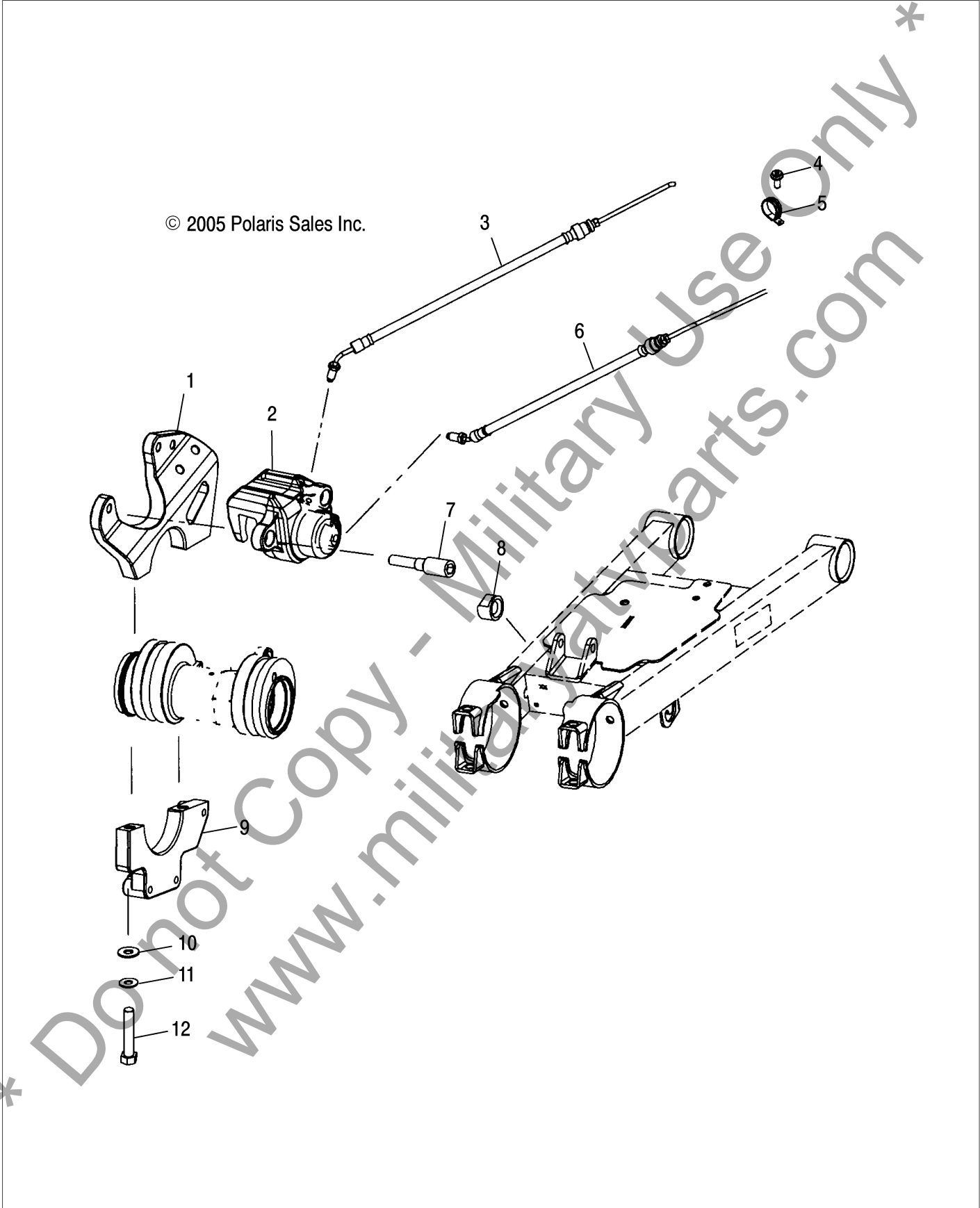
Applies to A07CL50MA [4999201649920164C05]

Ref.	Part No.	Qty	Part Description	Notes
1.	7517317	4	Screw	
2.	5810455	1	Pad	
3.	5433395	1	Duct, Inlet	
4.	5411422	1	Gasket, Intake	
5.	5432868	1	Cover, Air Box	
6.	5811482	1	Seal, Cover	
7.	7515179	2	Screw	
8.	7558301	2	Washer, Flat	
9.	8450073-600	AR	Line, Breather	
10.	7080699	4	Clamp, Hose	
11.	2530029	1	Filter, Breather	
12.	7080694	1	Clamp, Hose, Spring	
13.	5411921	1	Hose, Breather	
14.	7080511	1	Clamp, Band	
15.	5411540	1	Boot, Carburetor	
16.	7080413	2	Clamp, Band	
17.	5432473	1	Duct, Carburetor, Inlet	
18.	5830128	1	Gasket, Carburetor Inlet Duct	
19.	5433387	1	Box, Air	
20.	5813042	1	Foil	
21.	5432377	1	Plug, Trap	
22.	8450059-150	AR	Line, Fuel	
23.	7080650	1	Clamp, Hose	
24.	5242044	6	Clip	
25.	5432601	1	Collar, Inlet, Carburetor	
26.	7080595	1	Filter, Air	
27.	5811633	1	Filter, Sleeve, Precleaner	

* Do not Copy - Military Use Only *
www.militaryatvparts.com

BRAKE CALIPER MOUNTING, REAR

Applies to A07CL50MA [4999201649920164C07]



BRAKE CALIPER MOUNTING, REAR

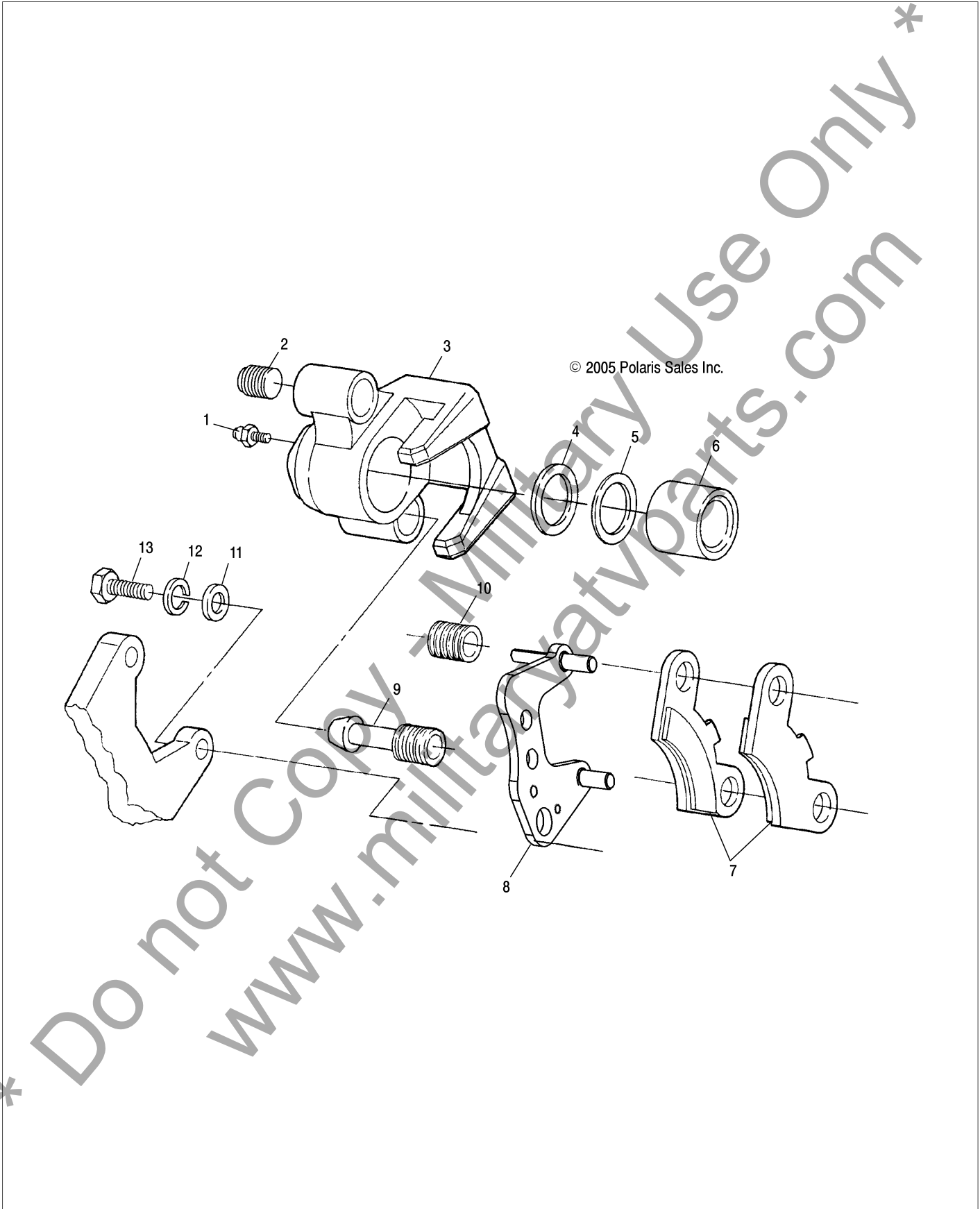
Applies to A07CL50MA [4999201649920164C07]

Ref.	Part No.	Qty	Part Description	Notes
1.	5132220	1	Mount, Caliper, Upper	
2.	1910408	1	Asm., Caliper, Rear	
3.	1910480	1	Line, Brake, JB to Rear	
4.	7512084	1	Screw	
5.	7080573	1	Clamp, Rubber Coated	
6.	1910481	1	Line, Brake, M/C to Rear, RH	
7.	7517758	2	Bolt, Shoulder	
8.	5131759	1	Bushing, Caliper Mount	
9.	5131786	1	Mount, Caliper, Lower	
10.	7558402	2	Washer, Flat	
11.	7552901	2	Washer, Spring Lock	
12.	7512312	2	Bolt	

* Do not Copy - Military Use Only *
www.militaryatvparts.com

BRAKE CALIPER, FRONT

Applies to A07CL50MA [4999201649920164B04]



BRAKE CALIPER, FRONT

Applies to A07CL50MA [4999201649920164B04]

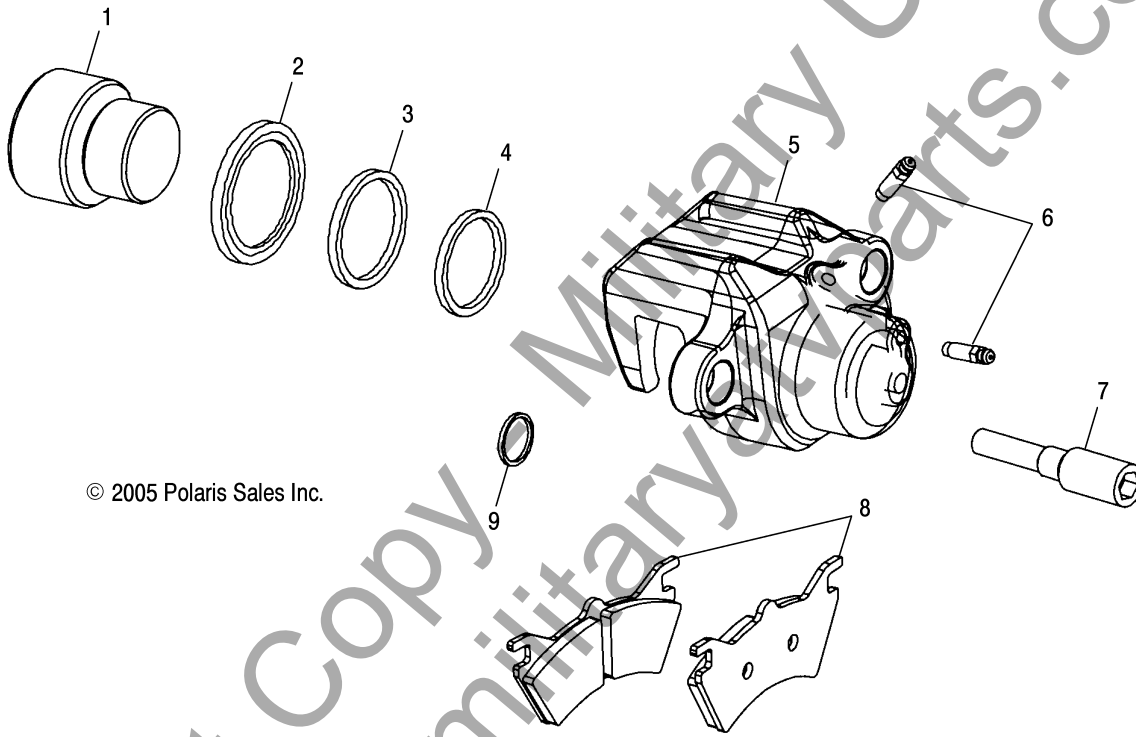
Ref.	Part No.	Qty	Part Description	Notes
1.	7080352	1	Screw, Bleeder	
2.	7515489	1	Screw, Socket Set	
3.	5134754	1	Caliper, LH	
3.	5134755	1	Caliper, RH	
3.	1930642	1	Kit, Front Brake Boot	
4.	5411596	1	Seal, Caliper, Inner	
5.	5411597	1	Seal, Caliper, Outer	
6.	5132405	1	Piston, Caliper	
7.	2202412	2	Kit, Asm., Front Brake Pad	
8.	1910411	1	Asm., Mount, Caliper	
9.	5412505	1	Boot, Pin Bushing	
10.	5412506	1	Boot, Pin Seal	
11.	7558402	4	Washer, Flat	
12.	7552901	4	Washer, Spring Lock	
13.	7512365	4	Screw, Cap	
.	1910877	1	Asm., Caliper, Brake, LH	[Incl. 1-6,8,9]
.	1910878	1	Asm., Caliper, Brake, RH	[Incl. 1-6,8,9]

*

*

BRAKE CALIPER, REAR

Applies to A07CL50MA [4999201649920164B10]



© 2005 Polaris Sales Inc.

BRAKE CALIPER, REAR

Applies to A07CL50MA [4999201649920164B10]

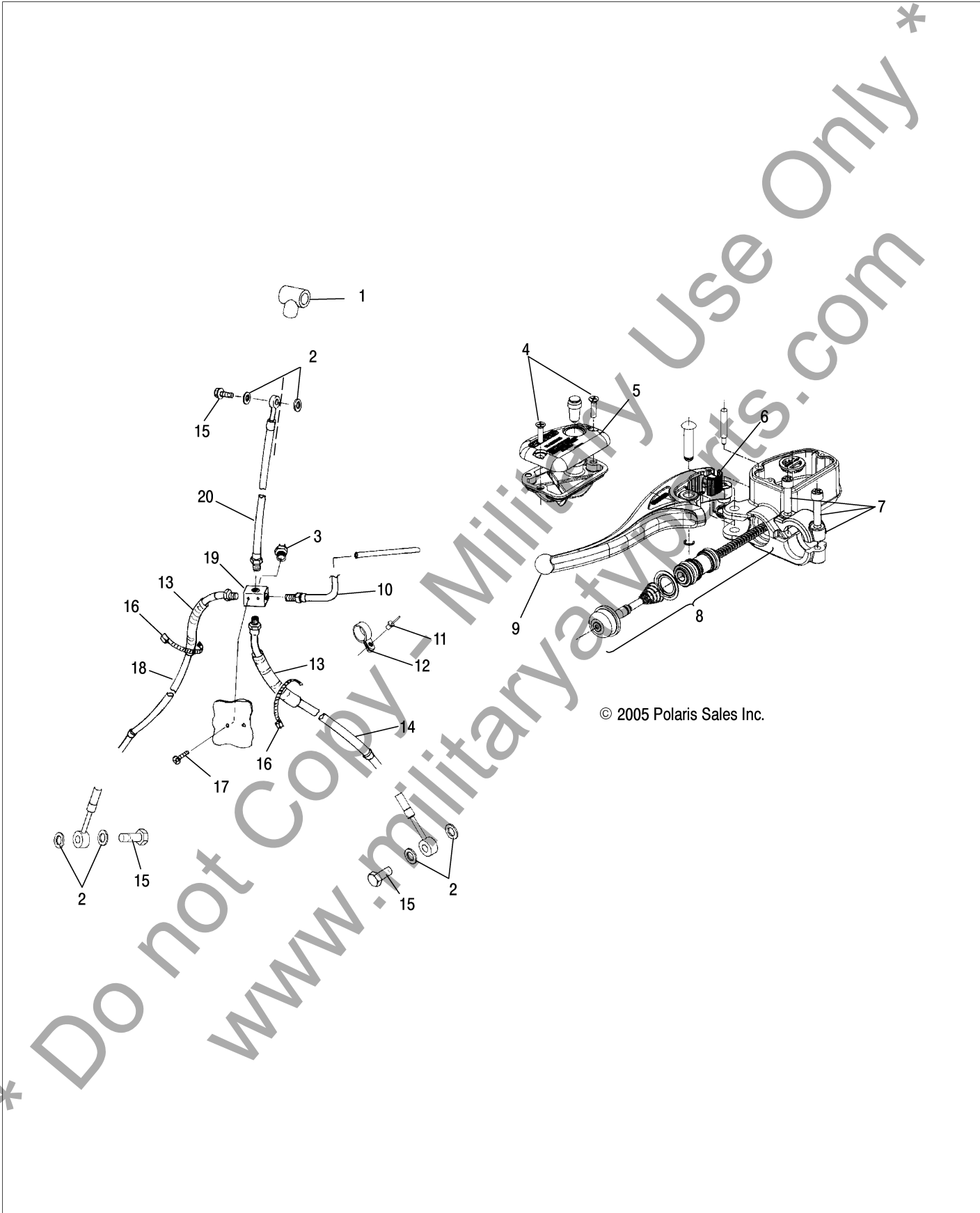
Ref.	Part No.	Qty	Part Description	Notes
1.	-----	1	PISTON	
2.	-----	1	SEAL, DUST	
3.	-----	1	RING, SQUARE	
4.	-----	1	RING, SQUARE	
5.	1910408	1	Asm., Caliper, Brake	
6.	2201428	2	Kit, Bleeder	
7.	7517758	2	Bolt, Shoulder	
8.	2201749	1	Kit, Brake Pads	
9.	-----	2	O-RING	
.	2201683	1	Kit, Piston, Seals	[Incl. 1-4,9]
.	2201684	1	Kit, Seals	[Incl. 2-4,9]

*

* Do not Copy - Military Use Only *
www.militaryatvparts.com

BRAKE, HAND/BRAKE LINE

Applies to A07CL50MA [4999201649920164B08]



© 2005 Polaris Sales Inc.

BRAKE, HAND/BRAKE LINE**Applies to A07CL50MA [4999201649920164B08]**

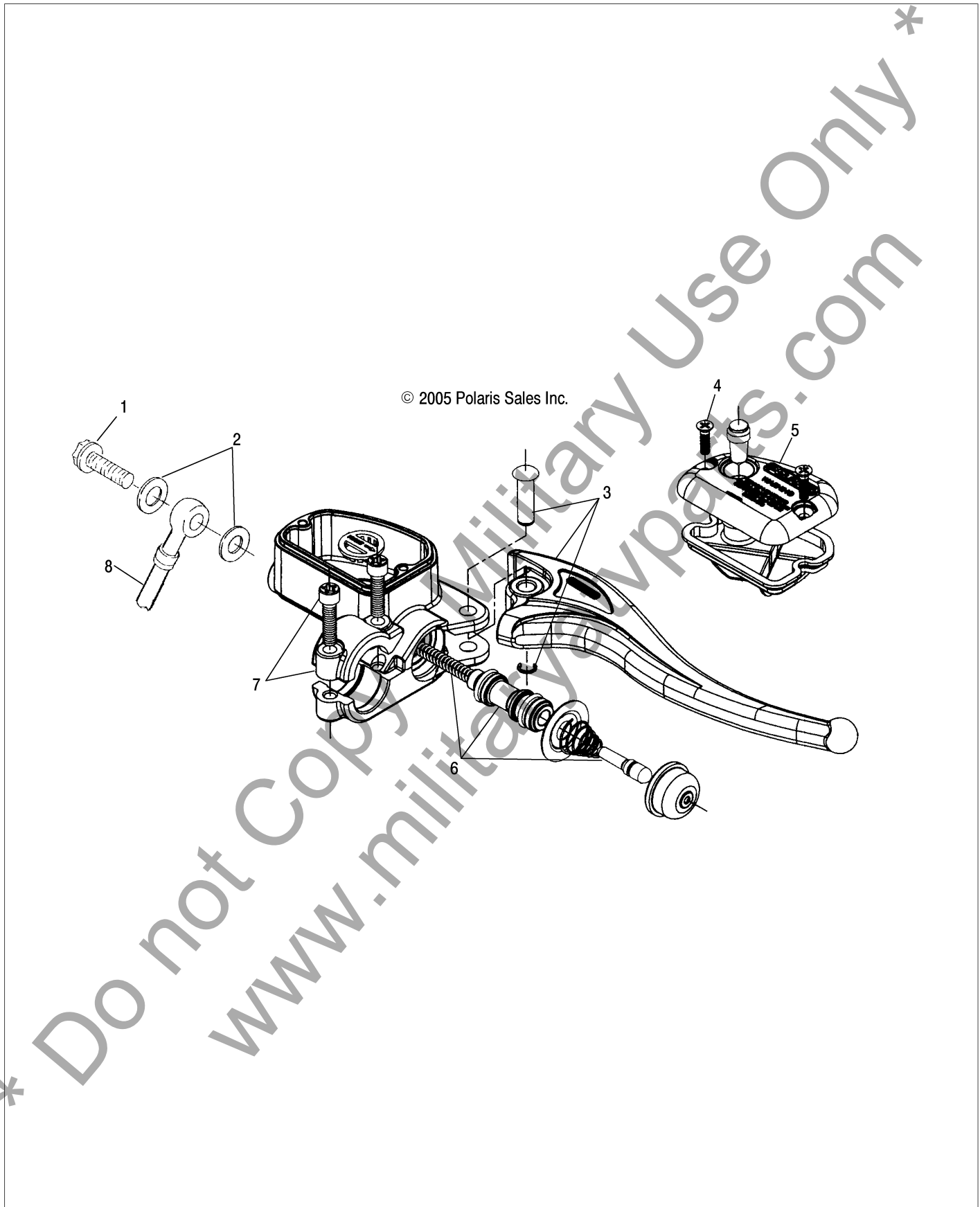
Ref.	Part No.	Qty	Part Description	Notes
1.	5411297	1	Boot, Brake Line, Rubber	
2.	5410988	6	Seal	
3.	4110164	1	Switch, Stoplight	
4.	7517899	2	Screw	
5.	2202725	1	Kit, Master Cylinder Cap	[Incl. Cap, Screws, Sight, Gasket]
6.	2201836	1	Kit, Master Cylinder Park Brake Lever	[Incl. Lever, Spring]
7.	2201833	1	Kit, Master Cylinder Clamp	[Incl. Clamp, Screws]
8.	2202410	1	Kit, Piston	[Incl. Piston, Seals, Boot, Spring]
9.	2201835	1	Kit, Master Cylinder Lever	[Incl. Pin, Lever, Clip]
10.	1910480	1	Line, Brake, JB to Rear	
11.	7621462	3	Rivet	
12.	7080539	3	Clamp, Nylon	
13.	8360031-145	AR	Conduit	
14.	1910838	1	Line, Brake, Front, LH	[w/Fittings]
15.	1910499	3	Bolt, Banjo	
16.	7080138	8	Cable Tie	
17.	7512024	2	Screw	
18.	1910839	1	Line, Brake, Front, RH	
19.	7052292	1	Fitting, Cross	
20.	1910470	1	Line, Brake, Pod	
.	2010238	1	Asm., Master Cylinder	

*

*

BRAKE, REAR/BRAKE LINE

Applies to A07CL50MA [4999201649920164B09]



BRAKE, REAR/BRAKE LINE

Applies to A07CL50MA [4999201649920164B09]

Ref.	Part No.	Qty	Part Description	Notes
1.	1910499	1	Bolt, Banjo	
2.	5410988	2	Seal	
3.	2202195	1	Kit, Lever, RH	
4.	7517899	2	Screw	
5.	2202196	1	Kit, Cover, RH	[Incl. Cap w/Glass, Baffle and Diaphragm]
6.	2202194	1	Kit, Piston, RH	
7.	2202193	1	Kit, Clamp, RH	
8.	1910481	1	Line, Brake, M/C to Rear, RH	
.	2010201	1	Asm., Master Cylinder	

*

* Do not Copy - Military Use Only *
www.militaryatvparts.com

CAB, FRONT

Applies to A07CL50MA [49ATVCAB6X6]



© 2006 Polaris Sales Inc.

CAB, FRONT**Applies to A07CL50MA [49ATVCAB6X6]**

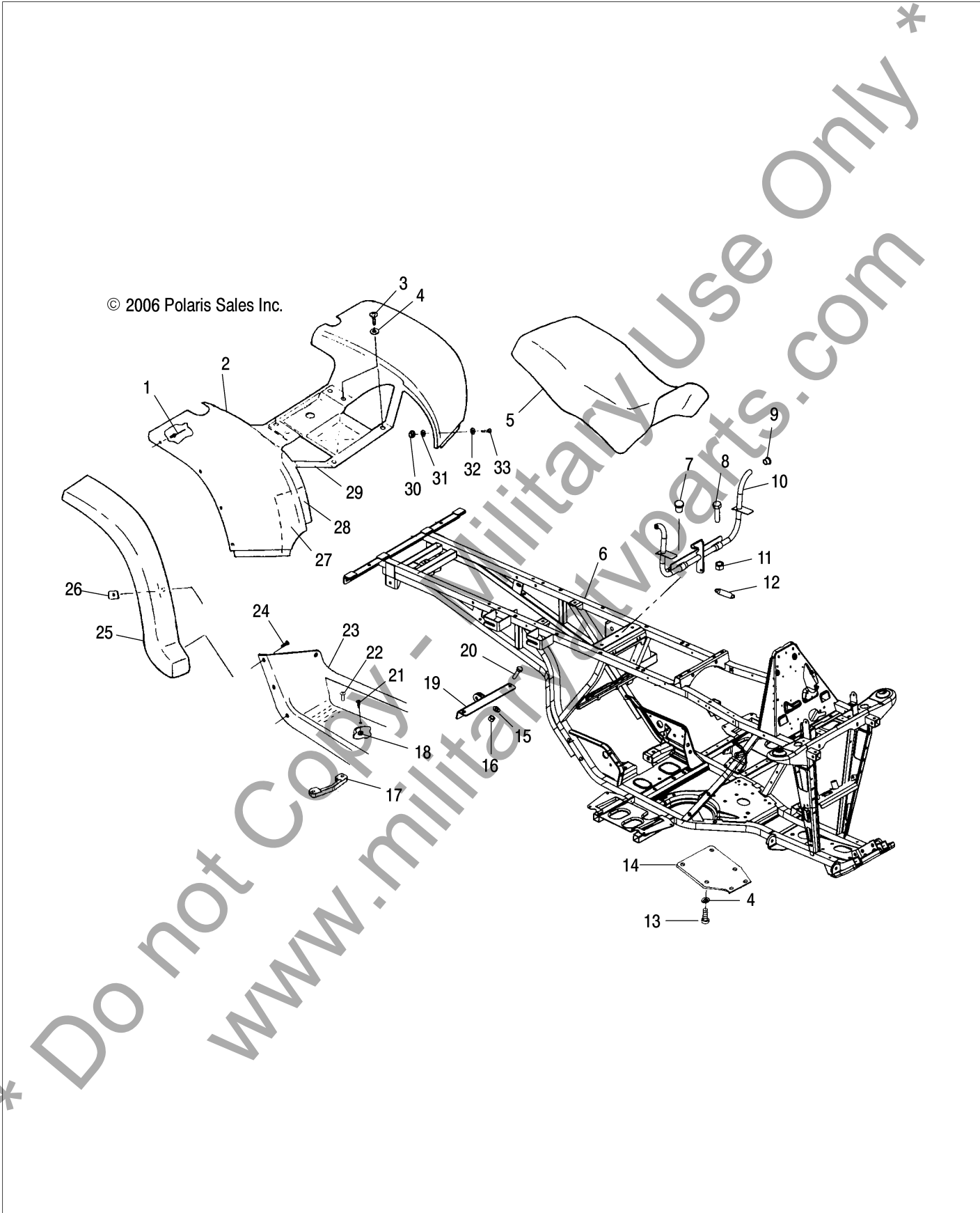
Ref.	Part No.	Qty	Part Description	Notes
1.	5810996	1	Foil, Foam	
2.	2632663-177	1	Asm., Panel/Foam, Black Metallic, LH	[Incl. Foam]
2.	2632782-177	1	Asm., Panel/Foam, Black Metallic, RH	[Incl. Foil]
2.	5812138	1	Foam, LH	
3.	7517386	4	Screw	
4.	5435110-400	1	Cover, Front, Camo Green Metallic	
5.	5432139-400	1	Asm., Cab, Front, Camo Green Metallic	
6.	7670057	12	Nut, Speed	
7.	7670135	4	Nut, Speed	
8.	7517312	2	Screw	
9.	5431798-070	1	Guard, Mudflap, Front, Black, LH	
9.	5431799-070	1	Guard, Mudflap, Front, Black, RH	
10.	5811110	2	Foil	
11.	7541925	2	Nut, Nyllok	
12.	7555792	2	Washer	
13.	7556034	2	Washer	
14.	7512085	2	Screw	
15.	7512232	10	Bolt	
16.	7555931	2	Washer	
17.	7542122	2	Nut, Nyllok	
18.	5412191	1	Line, Breather	
19.	7670109	1	Clip, Routing	
20.	7621509	2	Rivet	
21.	5246315-067	1	Guard, Splash, Black, LH	
21.	5246316-067	1	Guard, Splash, Black, RH	
22.	7517685	1	Screw	
23.	5811491	1	Foil, Side Panel, RH	

*

*

CAB, REAR and SEAT

Applies to A07CL50MA [49ATVCABRR6X6]

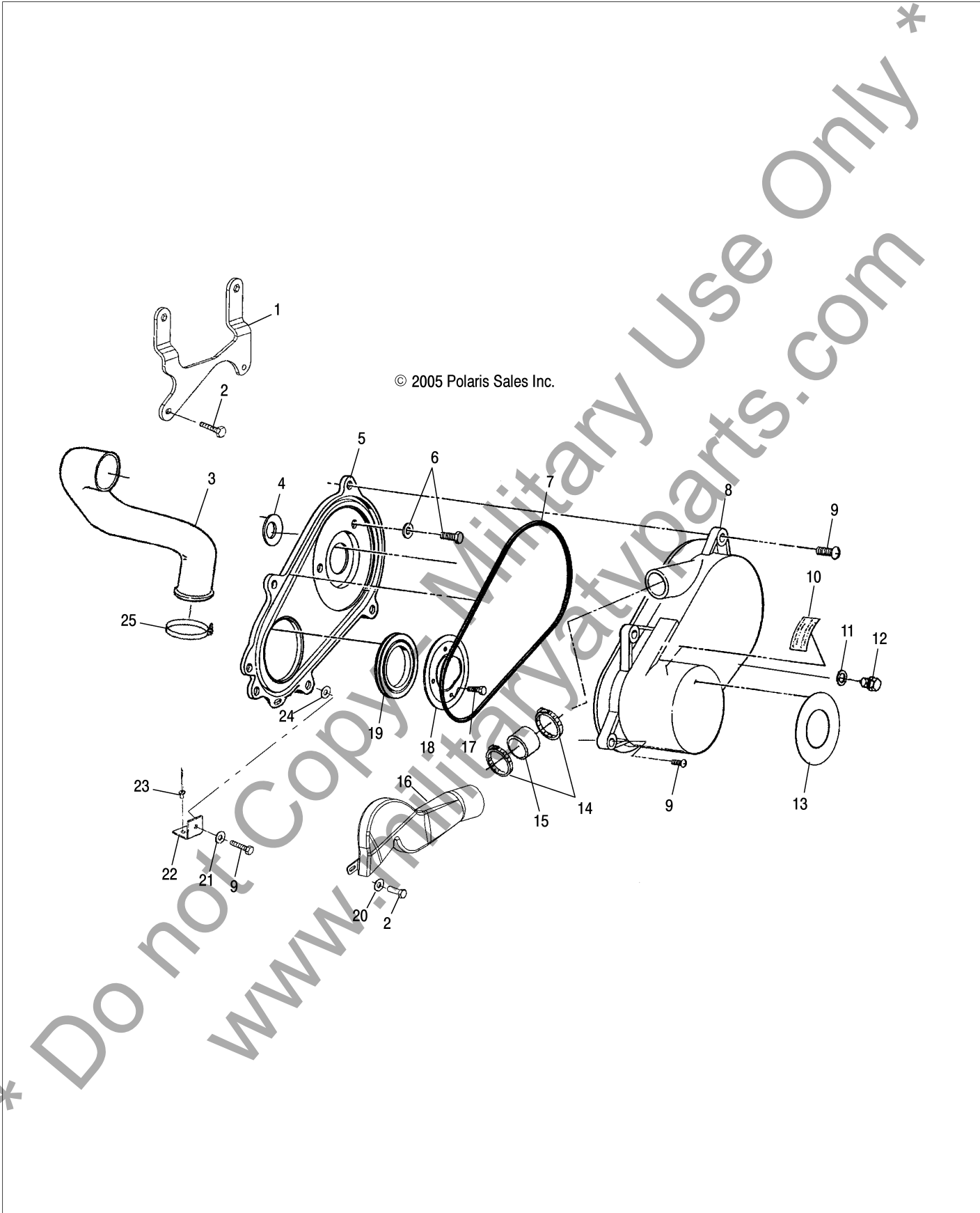


CAB, REAR and SEAT**Applies to A07CL50MA [49ATVCABRR6X6]**

Ref.	Part No.	Qty	Part Description	Notes
1.	7661645	4	Rivet	
2.	5433428-400	1	Cab, Rear, Camo Green Metallic	
3.	7512242	4	Screw	
4.	7555859	10	Washer, Flat	
5.	2682959-070	1	Asm., Seat, Black	
5.	2682960-070	1	Covering, Seat, Black	
6.	1013967-067	1	Frame, Main, Black	
7.	5412067	3	Bumper, Rubber	
8.	7512240	2	Bolt	
9.	5432798	2	Plug, Nylon	
10.	1013307-067	1	Lever, Box, Black	
11.	7542153	2	Nut, Nylok, Flange	
12.	7041879	1	Spring, Latch Return	
13.	7515179	6	Screw	
14.	5432763	1	Guard, Rock	
15.	7555734	2	Washer, Flat	
16.	7542324	2	Nut, Nylok	
17.	5432280	1	Spacer, Footwell	
18.	7542122	8	Nut, Nylok	
19.	1040293-067	1	Mount, Strut, Rear	
20.	7512392	2	Bolt	
21.	7512279	6	Screw	
22.	7517377	2	Screw	
23.	5432221-070	1	Footwell, Black, LH	
23.	5434417-070	1	Footwell, Black, RH	
24.	7512232	12	Bolt	
25.	5433429	1	Guard, Mud, Rear, Black, LH	
25.	5433430	1	Guard, Mud, Rear, Black, RH	
26.	7670057	12	Nut, Speed	
27.	5811111	1	Foil	
28.	5811106	2	Foil, Front	
29.	5811087	1	Foil	
30.	7541925	2	Nut, Nylok	
31.	7555792	2	Washer	
32.	7556034	2	Washer	
33.	7512085	2	Screw	

CLUTCH COVER

Applies to A07CL50MA [4999201649920164C06]



CLUTCH COVER

Applies to A07CL50MA [4999201649920164C06]

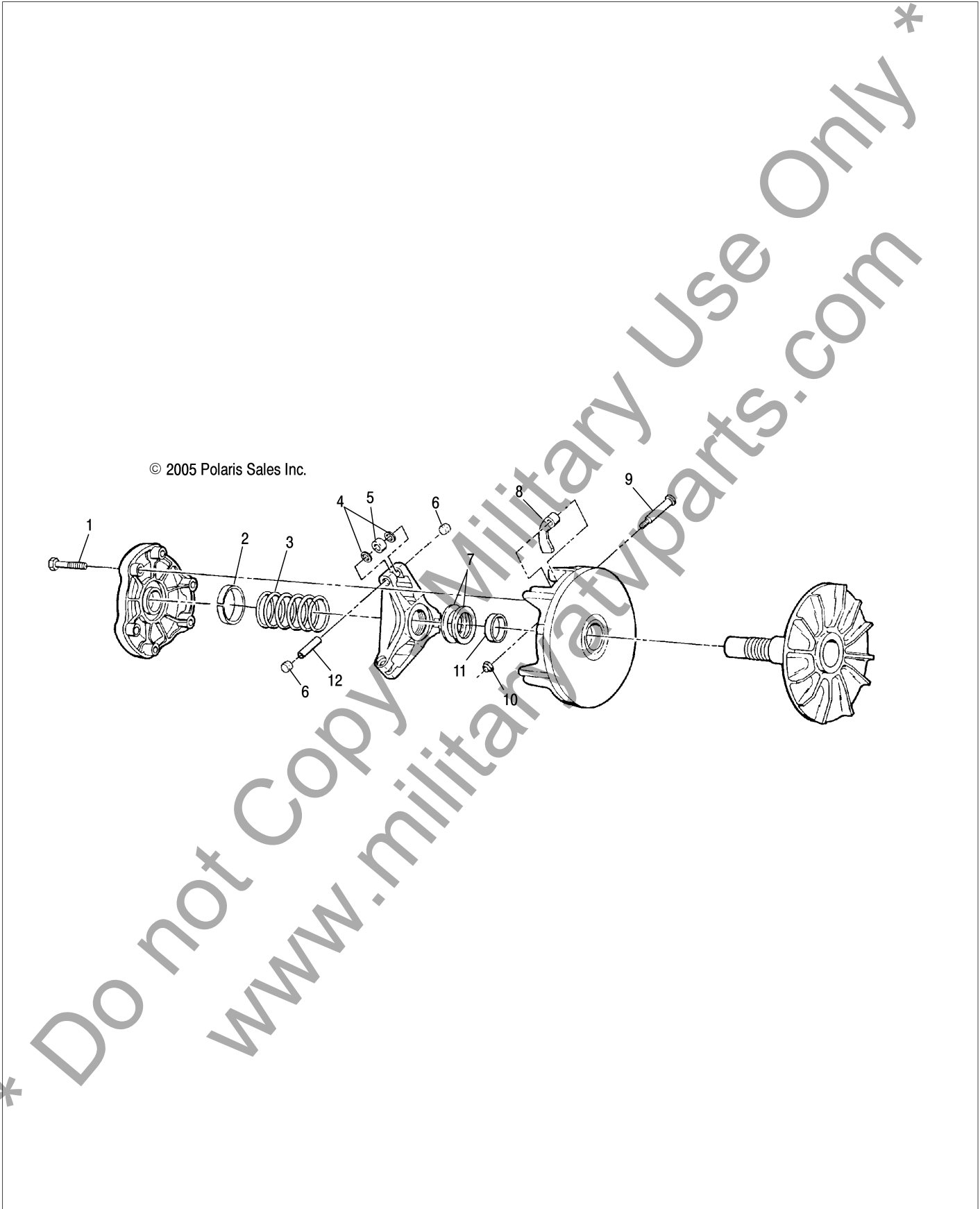
Ref.	Part No.	Qty	Part Description	Notes
1.	5247524-067	1	Bracket, Clutch Cover, Black	
2.	7512232	3	Bolt	
3.	5433427	1	Duct, Clutch Air, Inlet	
4.	5411553	1	Seal, Cover, Inner	
5.	2201957	1	Kit, Inner Clutch Cover	[Incl. 9]
6.	7510000	3	Asm., Bolt and Washer	
7.	5521578	1	Seal, Clutch Cover, Outer	
8.	2633261	1	Asm., Clutch Cover, Outer	[Incl. 11,12]
9.	7512094	10	Screw	
10.	7172563	1	Decal, Warning, Clutch Cover	
11.	5410542	1	O-Ring	
12.	5434264	1	Plug, Drain	
13.	7172746	1	Decal, Automatic Transmission	
14.	7081279	2	Clamp, Narrow Band	
15.	5412636	1	Boot, Duct	
16.	5433657	1	Duct, Air Outlet, Clutch	
17.	3084205	3	Asm., Screw and Washer	
18.	5242046	1	Bracket, Clutch, Seal	
19.	5412637	1	Seal, Cover, Case	
20.	7558301	1	Washer, Flat	
21.	7555935	1	Washer	
22.	5247949	1	Bracket, Clutch Cover, Front	
23.	7661637	2	Rivet	
24.	7556091	1	Spacer	
25.	7080511	1	Clamp, Narrow Band	

*

*

CLUTCH, DRIVE

Applies to A07CL50MA [4999201649920164C03]



CLUTCH, DRIVE

Applies to A07CL50MA [4999201649920164C03]

Ref.	Part No.	Qty	Part Description	Notes
1.	7518062	6	Screw	
2.	3576510	1	Bearing, Cover	
3.	7041157	1	Spring, Clutch	
4.	5430945	6	Washer	
5.	1321457	3	Asm., Roller and Bushing	
6.	5431936	6	Button, Clutch	
7.	5210752	AR	Spacer, .020	
7.	5242981	AR	Spacer, .025	
7.	5210753	AR	Spacer, .032	
7.	5210754	AR	Spacer, .050	
8.	5630513	3	Weight, Shift, 10-MH	
9.	7512266	3	Bolt, Shoulder	
10.	7541906	3	Nut, FLEXLOC	
11.	3576504	1	Bushing, Moveable	
12.	5020422	3	Pin, Roller	
.	1322682	1	Asm., Drive Clutch	[Incl. 1-2,6-10]

*

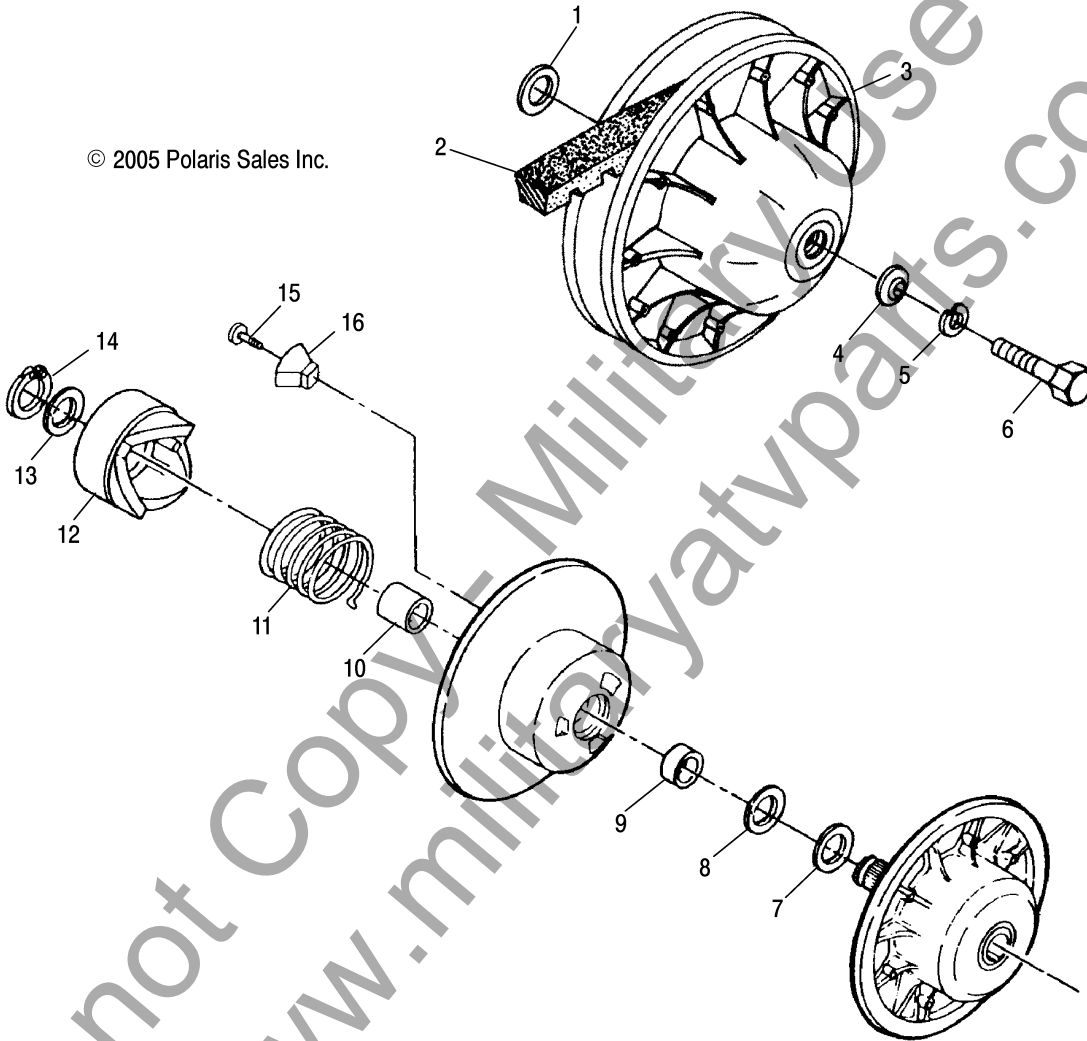
Do not Copy - Military Use Only
www.militaryatvparts.com

*

CLUTCH, DRIVEN

Applies to A07CL50MA [4999201649920164C04]

© 2005 Polaris Sales Inc.



CLUTCH, DRIVEN

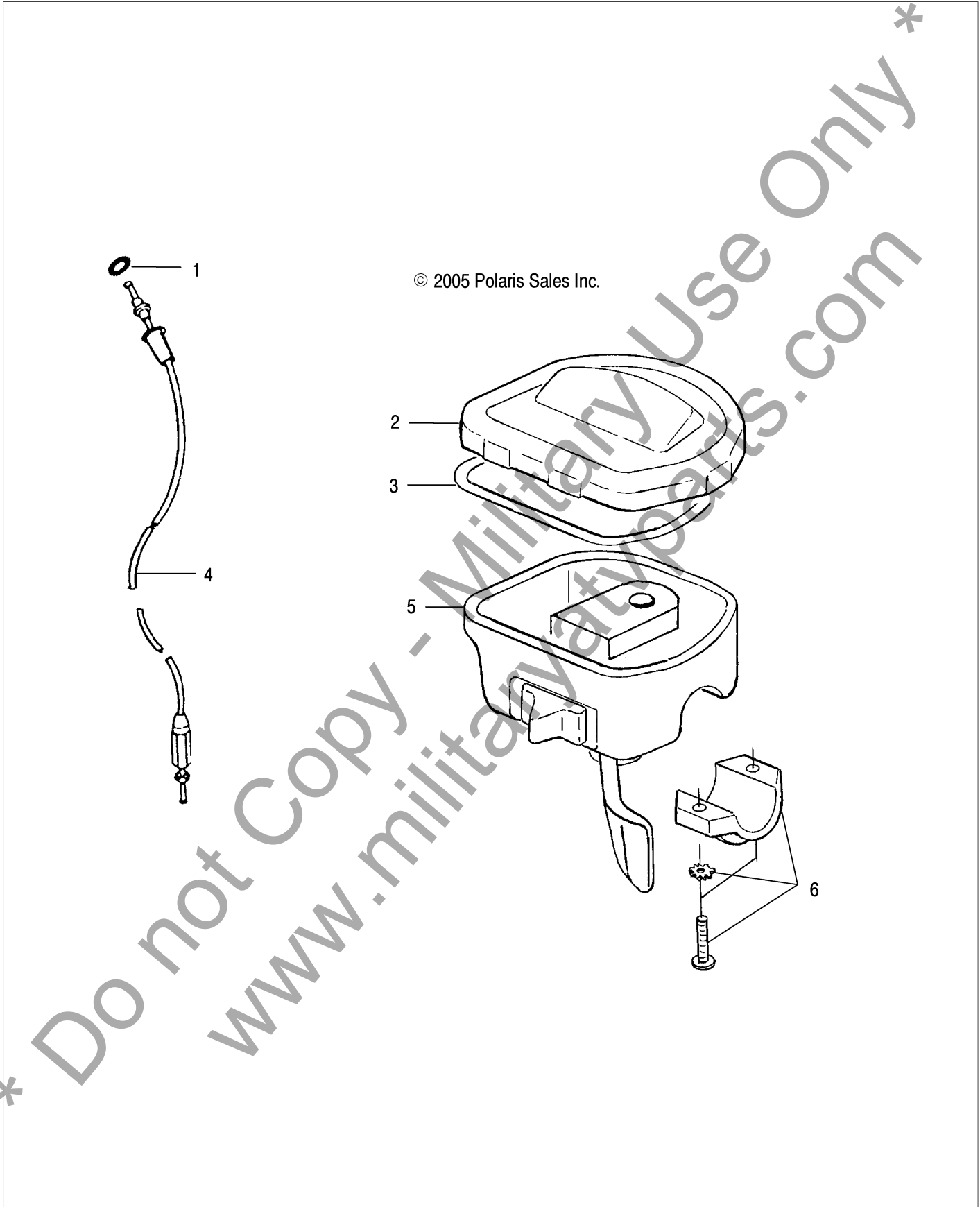
Applies to A07CL50MA [4999201649920164C04]

Ref.	Part No.	Qty	Part Description	Notes
1.	7556120	AR	Bushing	[3 Max]
2.	3211077	1	Belt, Drive	
3.	1322180	1	Asm., Driven Clutch	[Incl. 7-10,13-16]
4.	5220646	1	Washer, Dome	
5.	7552901	1	Washer, Spring Lock	
6.	7515382	1	Bolt	
7.	7555898	AR	Washer, .020	
7.	7556076	AR	Washer, .025	
8.	7556804	AR	Washer, .030	
9.	3576504	1	Bushing, Moveable	
10.	3576511	1	Bushing, Moveable, 1 Inch	
11.	7041198	1	Spring, Clutch, Red	
12.	5131446	1	Ramp, Stationary	
13.	5210752	1	Spacer, 020	
14.	7710448	1	Ring, Retaining	
15.	7511854	3	Bolt	
16.	5436521	3	Button, Ramp	

* Do not Copy - Military Use Only *
www.militaryatvparts.com

CONTROLS, THROTTLE ASM/CABLE

Applies to A07CL50MA [4999201649920164B07]



CONTROLS, THROTTLE ASM/CABLE

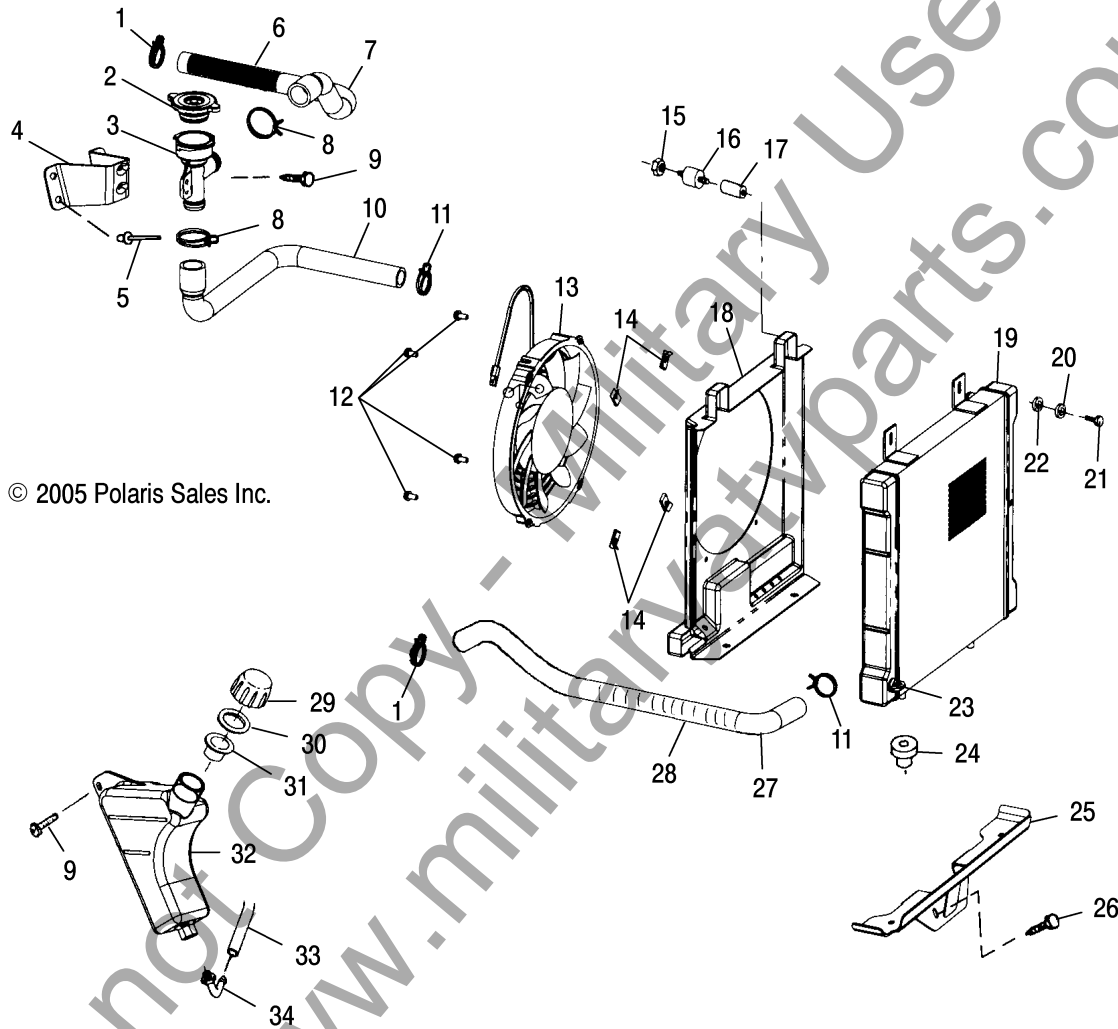
Applies to A07CL50MA [4999201649920164B07]

Ref.	Part No.	Qty	Part Description	Notes
1.	5410193	1	O-Ring	
2.	5434113	1	Cover, Throttle Control	
3.	5411439	1	O-Ring	
4.	7081170	1	Cable, Throttle	
5.	2010250	1	Asm., Throttle Control, AWD	[Incl. 6]
6.	2010191	1	Asm., Throttle Clamp	

* Do not Copy - Military Use Only *
www.militaryatvparts.com

COOLING SYSTEM

Applies to A07CL50MA [4999201649920164A07]



COOLING SYSTEM**Applies to A07CL50MA [4999201649920164A07]**

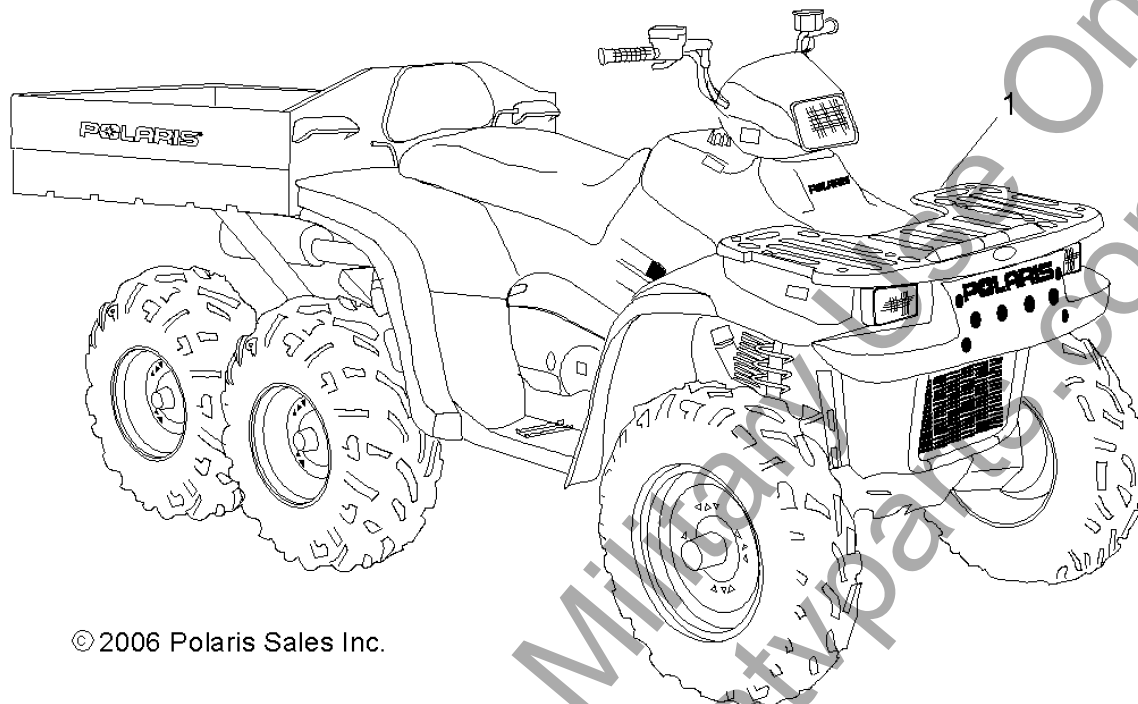
Ref.	Part No.	Qty	Part Description	Notes
1.	7080614	2	Clamp, Hose	
2.	1240044	1	Cap, Pressure	
3.	5433364	1	Filler, Coolant	
4.	5243505	1	Bracket, Filler, Coolant	
5.	7661637	3	Rivet	
6.	5433948	1	Flexguard	
7.	5411811	1	Hose, Engine, Upper	
8.	7080827	2	Clamp, 1 Inch	
9.	7512084	4	Screw	
10.	5411632	1	Hose, Neck, Filler	
11.	7080826	2	Clamp	
12.	7517659	4	Screw	
13.	2410430	1	Asm., Fan and Motor	
14.	7670111	4	U-Clip	
15.	7547069	2	Nutsert, Hex	
16.	3110032	2	Mount, Rubber	
17.	5020572	2	Spacer, Mount	
18.	5433059	1	Shroud, Fan	
19.	1240178	1	Radiator	
20.	7552801	2	Washer, Split Lock	
21.	7512240	2	Bolt	
22.	7558301	2	Washer, Flat	
23.	7052296	1	Valve, Drain	
23.	5411633	1	O-Ring	
24.	5410584	2	Bushing, Mount, Lower, Radiator	
25.	5243503-067	1	Bracket, Radiator, Lower, Black	
26.	7512232	2	Bolt	
27.	5411694	1	Hose, Engine, Lower	
28.	5521511	1	Guard, Hose	
29.	5430743	1	Cap, Overflow	
30.	5810279	1	Gasket	
31.	5433774	1	Plug, Cap	
32.	5433410	1	Tank, Surge	
33.	8450003-1525	AR	Line, Fuel	
34.	7052065	1	Fitting, 90 Degree	

*

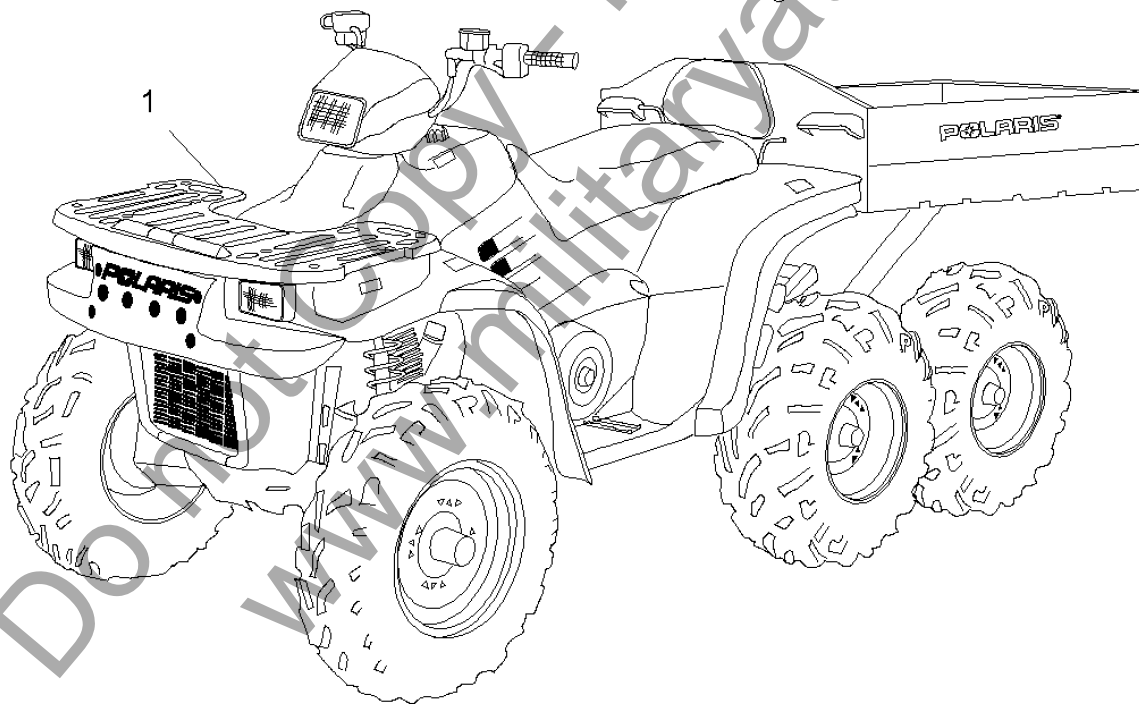
*

DECALS

Applies to A07CL50MA [49ATVDECAL076X6MV]



© 2006 Polaris Sales Inc.



DECALS

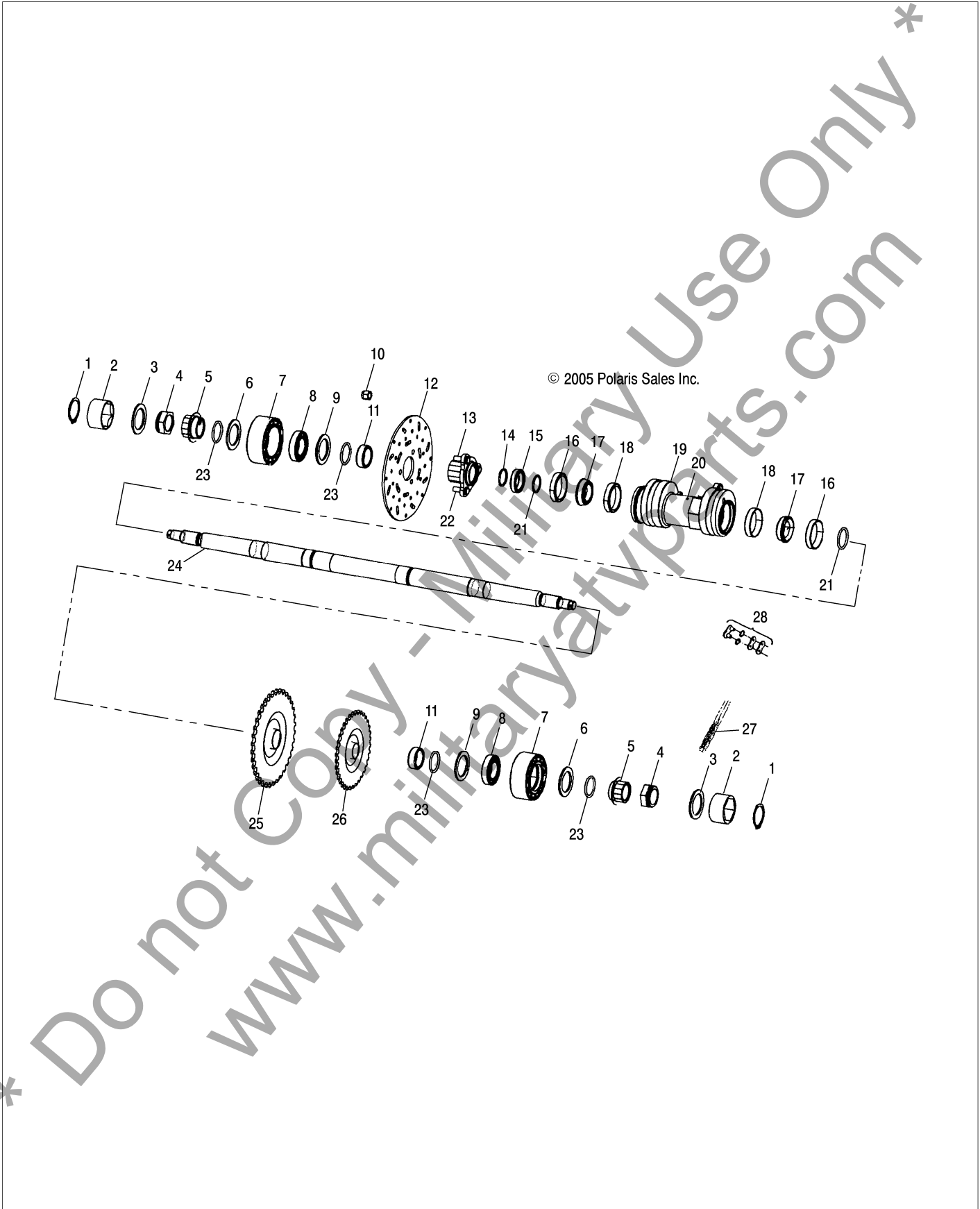
Applies to A07CL50MA [49ATVDECAL076X6MV]

Ref.	Part No.	Qty	Part Description	Notes
1.	7171494	1	Decal, Arrow, LH	
1.	7171495	1	Decal, Arrow, RH	

* Do not Copy - Military Use Only *
www.militaryatvparts.com

DRIVE, MIDDLE

Applies to A07CL50MA [4999201649920164B11]



DRIVE, MIDDLE

Applies to A07CL50MA [4999201649920164B11]

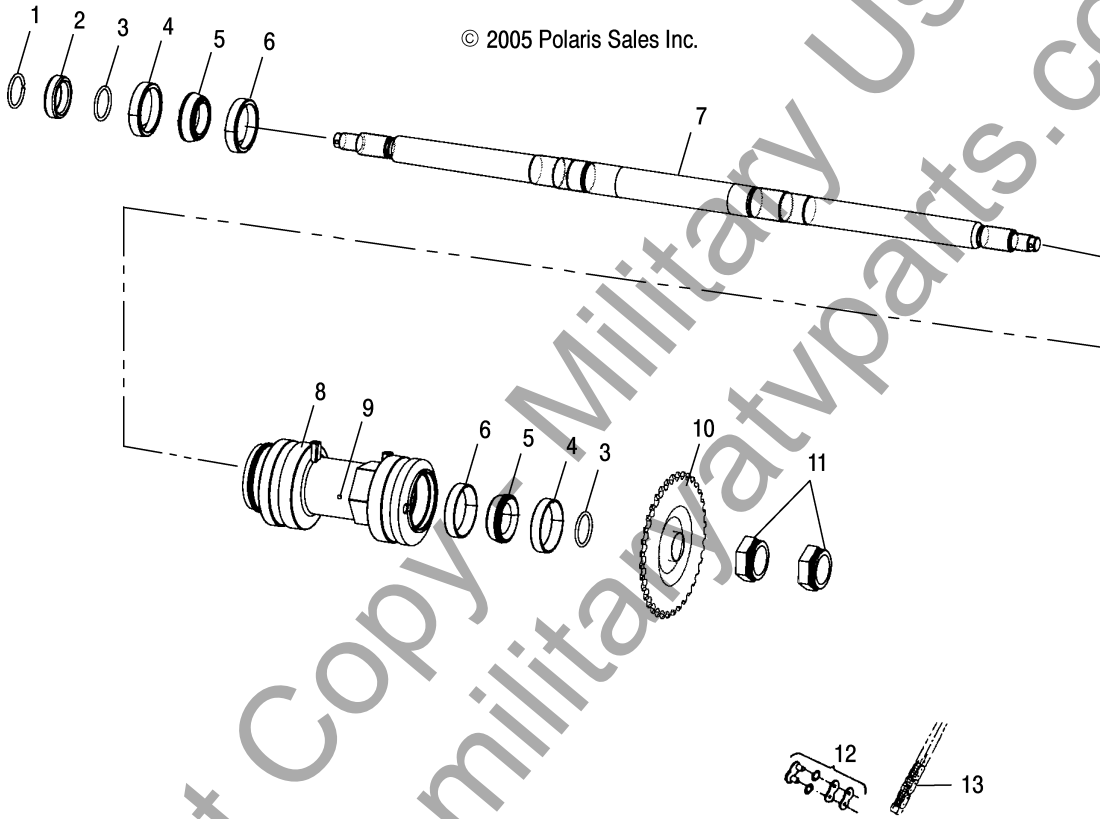
Ref.	Part No.	Qty	Part Description	Notes
1.	7710472	2	Ring, Retaining	
2.	5510372	2	Retainer, Nut	
3.	5411555	2	Seal, Foam	
4.	7547031	2	Nut, Jam	
5.	5630987	2	Hub, Locking Middle Axle	
6.	3610074	2	Seal, Inner	
7.	5132219	2	Housing, Swing Arm	
8.	3515501	2	Bearing	
9.	3610013	2	Seal, Axle, Rear	
10.	7542439	3	Nut, Nylok	
11.	5132218	2	Spacer, Bearing	
12.	5244425	1	Disc, Brake	
13.	1520259	1	Asm., Hub, Brake Disc, Locking	
14.	7710405	1	Ring, Snap	
15.	5010462	1	Spacer, Axle	
16.	3610070	2	Seal, Lip	
17.	3554518	2	Bearing, Cone, Tapered	
18.	3554517	2	Bearing, Cup, Tapered	
19.	5132098	1	Housing, Axle, Rear	
20.	7080306	1	Fitting, Lubrication	
21.	5410889	2	O-Ring	
22.	7515513	3	Stud	
23.	5411739	4	O-Ring	
24.	5132049	1	Axle, Middle	
25.	3221139	1	Sprocket, 38T	
26.	3221138	1	Sprocket, 30T	
27.	3221193-080	1	Chain, 80P	
28.	3221192	1	Link, Connector	

*

*

DRIVE, REAR

Applies to A07CL50MA [4999201649920164B12]



DRIVE, REAR

Applies to A07CL50MA [4999201649920164B12]

Ref.	Part No.	Qty	Part Description	Notes
1.	7710405	1	Ring, Snap	
2.	5132464	1	Spacer, Bearing	
3.	5410889	2	O-Ring	
4.	3610070	2	Seal, Lip	
5.	3554518	2	Bearing, Cone, Tapered	
6.	3554517	2	Bearing, Cup, Tapered	
7.	5132497	1	Axle, Rear	
8.	5132875	1	Housing, Axle, Rear	
9.	7080306	1	Fitting, Lubrication	
10.	3221140	1	Sprocket, 30T	
11.	5020468	2	Nut, Jam	
12.	3221192	1	Link, Connector	
13.	3221193-116	1	Chain, 116P	

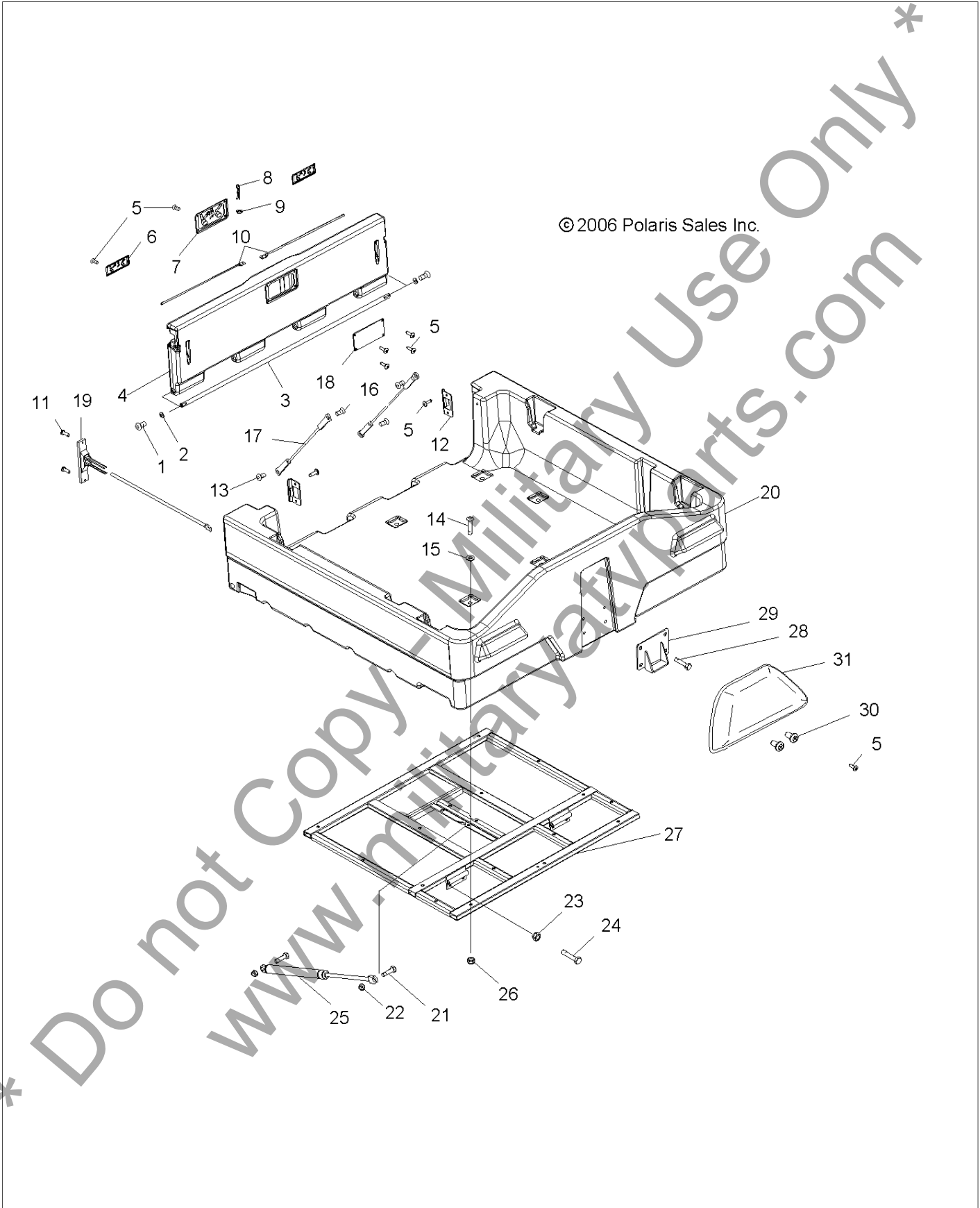
*

* Do not Copy - Military Use Only *
www.militaryatvparts.com

*

DUMP BOX

Applies to A07CL50MA [49ATVBOX076X6MV]



DUMP BOX

Applies to A07CL50MA [49ATVBOX076X6MV]

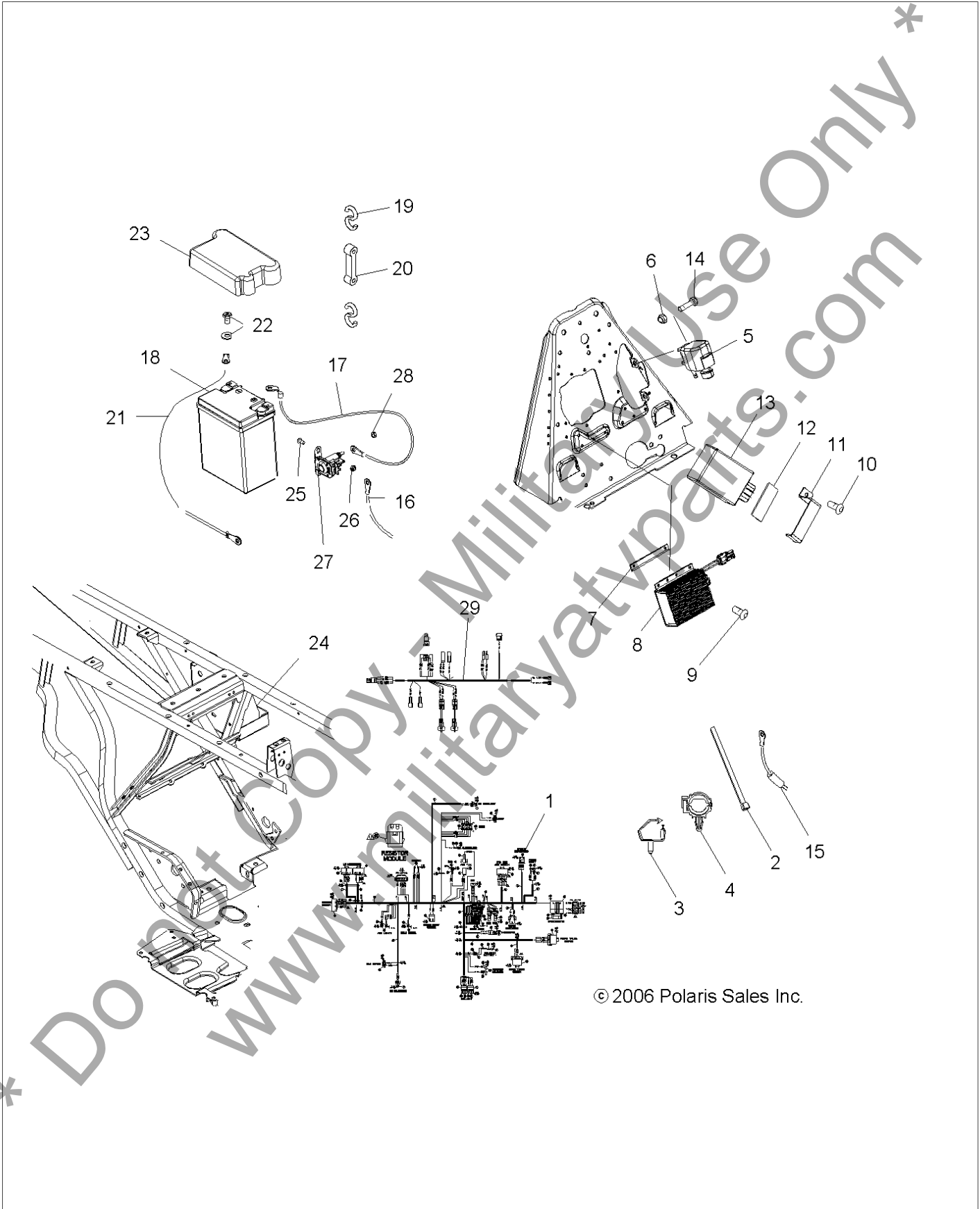
Ref.	Part No.	Qty	Part Description	Notes
1.	7515177	2	Screw	
2.	7558221	2	Washer	
3.	5132358	1	Rod, Hinge	
4.	5433388	1	Tailgate	
5.	7517561	22	Screw	
6.	5433656	2	Latch	
7.	5433655	1	Latch, Paddle	
8.	7661644	2	Pin, Hitch	
9.	7556143	2	Washer, Rubber	
10.	5132373	2	Shaft, Latch	
11.	7517790	4	Screw	
12.	5243304	2	Bracket, Box Latch	
13.	7517938	2	Screw	
14.	7517747	9	Screw	
15.	7556157	9	Washer	
16.	7517742	2	Screw	
17.	7080881	2	Cable, Tailgate	
18.	5244068-067	1	Cover, Tailgate, Black	
19.	2410179	2	Asm., Taillight w/Brake Light	
19.	4010340	2	Bulb	
20.	5436818-070	1	Box, Molded, Black	
21.	7512329	2	Bolt	
22.	7542324	2	Nut, Nylok	
23.	7512492	4	Screw	
24.	7542449	4	Nut, Flange Lock	
25.	7041301	1	Shock, Dump Box	
26.	7547089	9	Nut, Flange	
27.	1012893-067	1	Support, Box, Black	
28.	7515350	4	Screw	
29.	1013125-067	1	Latch, Box, Black	
30.	7512084	4	Screw	
31.	2682522-070	1	Asm., Backrest, Black	
31.	2681664-070	1	Covering, Backrest, Black	

*

*

ELECTRICAL

Applies to A07CL50MA [49ATVELECT076X6MV]



© 2006 Polaris Sales Inc.

ELECTRICAL**Applies to A07CL50MA [49ATVELECT076X6MV]**

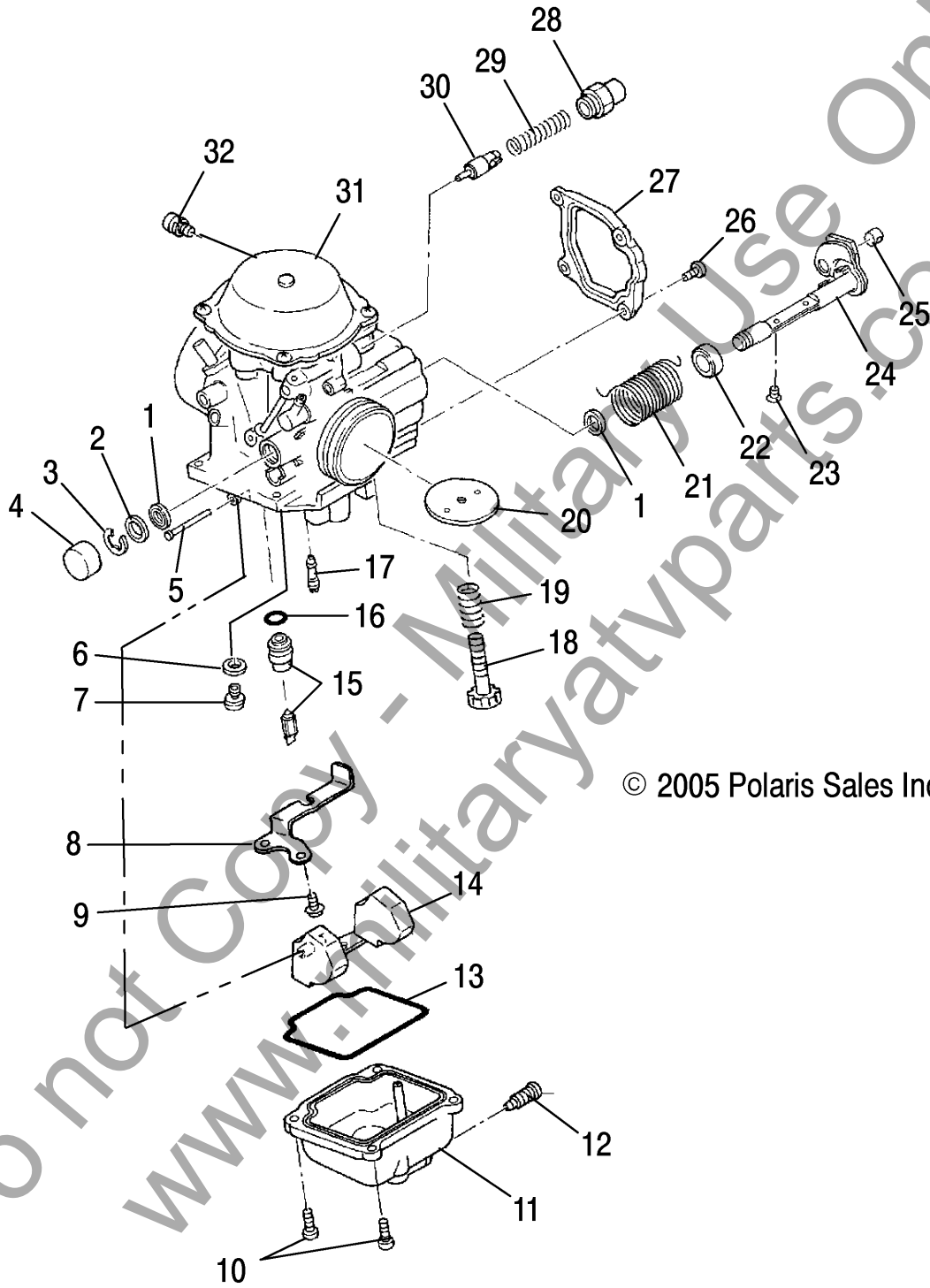
Ref.	Part No.	Qty	Part Description	Notes
1.	2410882	1	Harness, Main	
1.	4010924	1	Module, Resistor	
2.	7080138	4	Cable Tie	
3.	7670109	4	Clip, Routing	
4.	4020139	4	Clip, Rosebud	
5.	3089239	1	Asm., Coil, Ignition	
6.	7541925	1	Nut, Nylok	
7.	5247782	1	Heat Sink	
8.	4011568	1	Control, Module	
9.	7512018	2	Screw	
10.	7512024	2	Screw	
11.	5246747	1	Bracket, CDI	
12.	5810317	1	Pad	
13.	3089238	1	CDI System	
14.	7512007	1	Bolt	
15.	2202607	1	Kit, Fusible Link	
16.	4010093	1	Cable, Solenoid/Starter	
17.	4010094	1	Cable, Battery/Solenoid	
18.	4011138	1	Battery, Sealed	
19.	7010032	2	Hook, Battery Strap	
20.	5412499	1	Strap, Holddown, Battery	
21.	4010095	1	Cable, Battery/Engine	
22.	2202848	1	Kit, Battery Bolt	
23.	5431769	1	Cover, Battery	
24.	5810290	3	Pad, Battery	
25.	7512027	2	Screw	
26.	7518287	2	Nut, Nylok	
27.	4010947	1	Solenoid, Starter	
28.	7547270	2	Nut	
29.	2410573	1	Harness, IR/Blackout	

*

*

ENGINE, CARBURETOR

Applies to A07CL50MA [4999201649920164D08]



© 2005 Polaris Sales Inc.

ENGINE, CARBURETOR

Applies to A07CL50MA [4999201649920164D08]

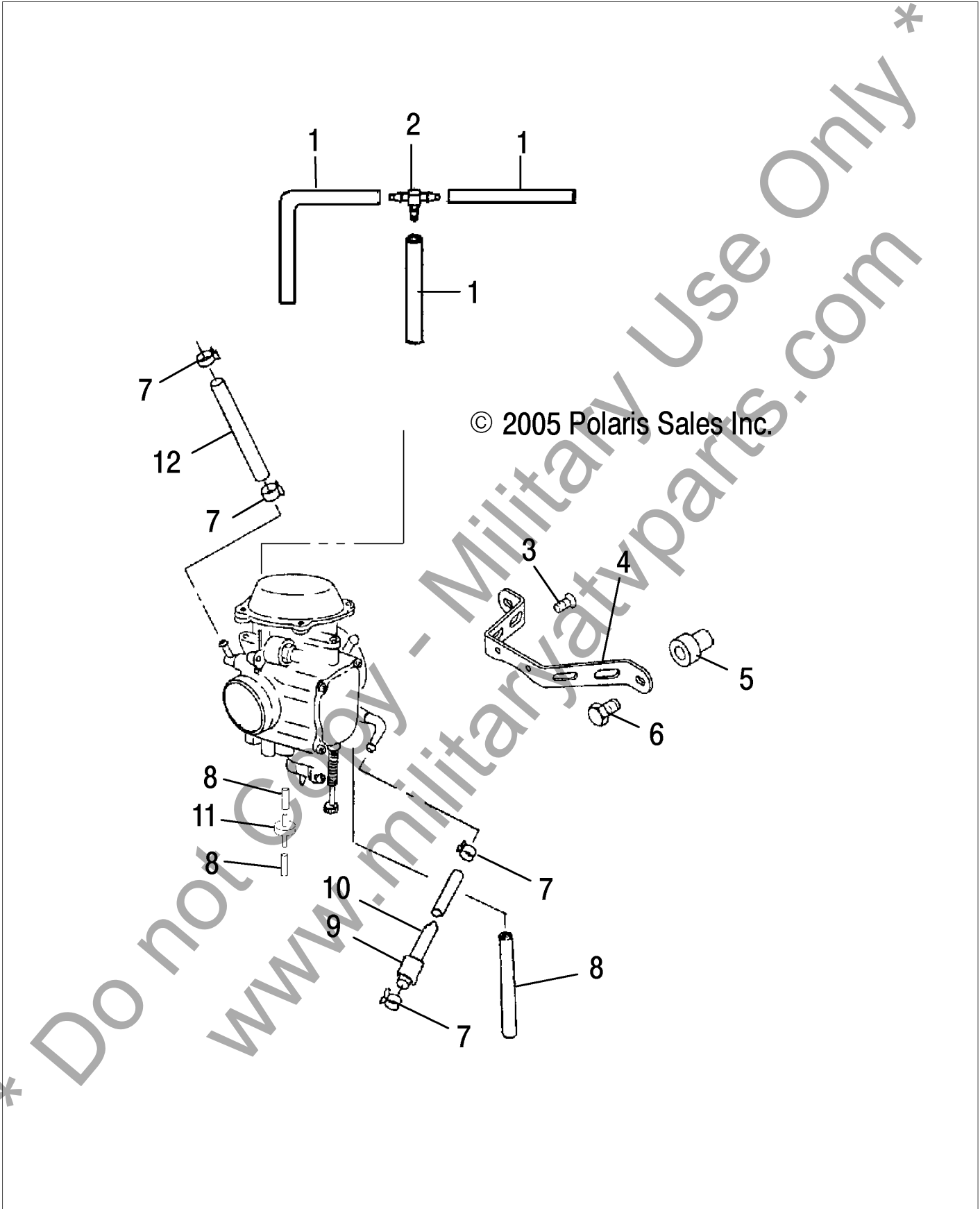
Ref.	Part No.	Qty	Part Description	Notes
1.	3130515	2	Seal	
2.	-----	1	PACKING	
3.	3130518	1	E-Ring	
4.	3130519	1	Cap	
5.	3130361	1	Pin, Float	
6.	3130014	1	Washer	
7.	3130566	1	Jet, Main, #142.5	
8.	3130594	1	Plate	
9.	3130591	2	Screw	
10.	3130520	4	Screw	
11.	3130590	1	Asm., Float Body	
12.	3130521	1	Screw	
13.	3130532	1	O-Ring	
14.	3130529	1	Asm., Float	
15.	3131360	1	Valve, Needle, 1.5	
16.	3130533	1	O-Ring	
17.	3130624	1	Jet, Pilot, #40	
18.	3131423	1	Screw, Adjust	
19.	3130836	1	Spring	
20.	3130502	1	Valve, Throttle, 100	
21.	3130589	1	Spring	
22.	3130514	1	Ring	
23.	3130501	2	Screw	
24.	3130513	1	Asm., Throttle Shaft	
25.	3130543	1	Guide, Cable	
26.	3130535	4	Screw	
27.	3130511	1	Cover	
28.	3130199	1	Holder, Guide	
29.	3130538	1	Spring	
30.	3130539	1	Asm., Plunger	
31.	3131572	1	Asm., Carburetor	[Incl. 1-24,26,28-32]
32.	3084205	2	Asm., Screw and Washer	

*

*

ENGINE, CARBURETOR MOUNTING/VENTING/FUEL LINES

Applies to A07CL50MA [4999201649920164A10]



ENGINE, CARBURETOR MOUNTING/VENTING/FUEL LINES

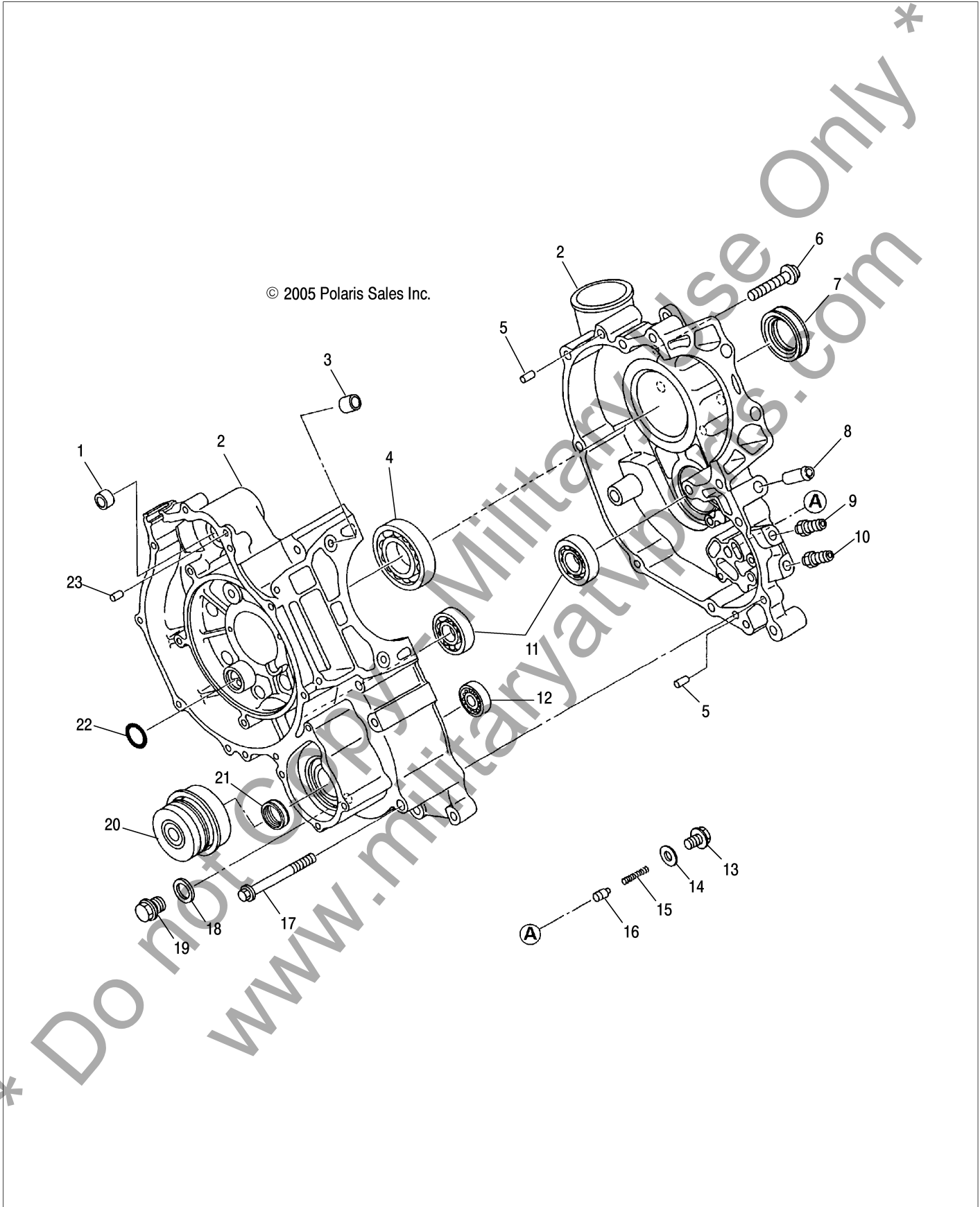
Applies to A07CL50MA [4999201649920164A10]

Ref.	Part No.	Qty	Part Description	Notes
1.	8450003-1525	AR	Line, Fuel	
2.	7052075	1	Fitting, Tee	
3.	3084205	5	Asm., Screw and Washer	
4.	5246553	1	Bracket, Carburetor Mount	
5.	7541923	2	Nut, Well	
6.	7512247	2	Bolt	
7.	7080003	4	Clamp, Hose	
8.	8360009-600	AR	Line, Fuel	
9.	8450105-65	AR	Sheath, Reflect Sleeve	
10.	8450103	AR	Line, Fuel	
11.	7051011	1	Valve, Check	
12.	8450040-600	AR	Line, Fuel	

* Do not Copy - Military Use Only *
www.militaryatvparts.com

ENGINE, CRANKCASE

Applies to A07CL50MA [4999201649920164D05]



ENGINE, CRANKCASE

Applies to A07CL50MA [4999201649920164D05]

Ref.	Part No.	Qty	Part Description	Notes
1.	3083669	1	Bushing, Starter	
2.	3089240	1	Asm., Crankcase	[Incl. 1,2,4,5,7,8,11,12,17,20,21,23]
3.	3087266	2	Pipe, Knock	
4.	3080676	1	Bearing, Ball	
5.	3084840	2	Pin, Dowel	
6.	3084205	3	Asm., Screw and Washer	
7.	3084839	1	Seal, Oil	
8.	3085525	1	Pipe, Air Breather	
9.	3087154	1	Union	
10.	3084842	1	Union	
11.	3084834	2	Bearing, Ball	
12.	3084835	1	Bearing, Ball	
13.	3084845	1	Plug	
14.	3089450	1	Gasket, Aluminum	
15.	3084844	1	Spring	
16.	3086810	1	Valve, One Way	
17.	3084841	10	Bolt, Flange	
18.	3082956	1	Gasket	
19.	3086749	1	Plug	
20.	3084837	1	Seal, Mechanical	
21.	3084836	1	Seal, Oil	
22.	3084847	1	O-Ring	
23.	3086838	2	Pin, Dowel	

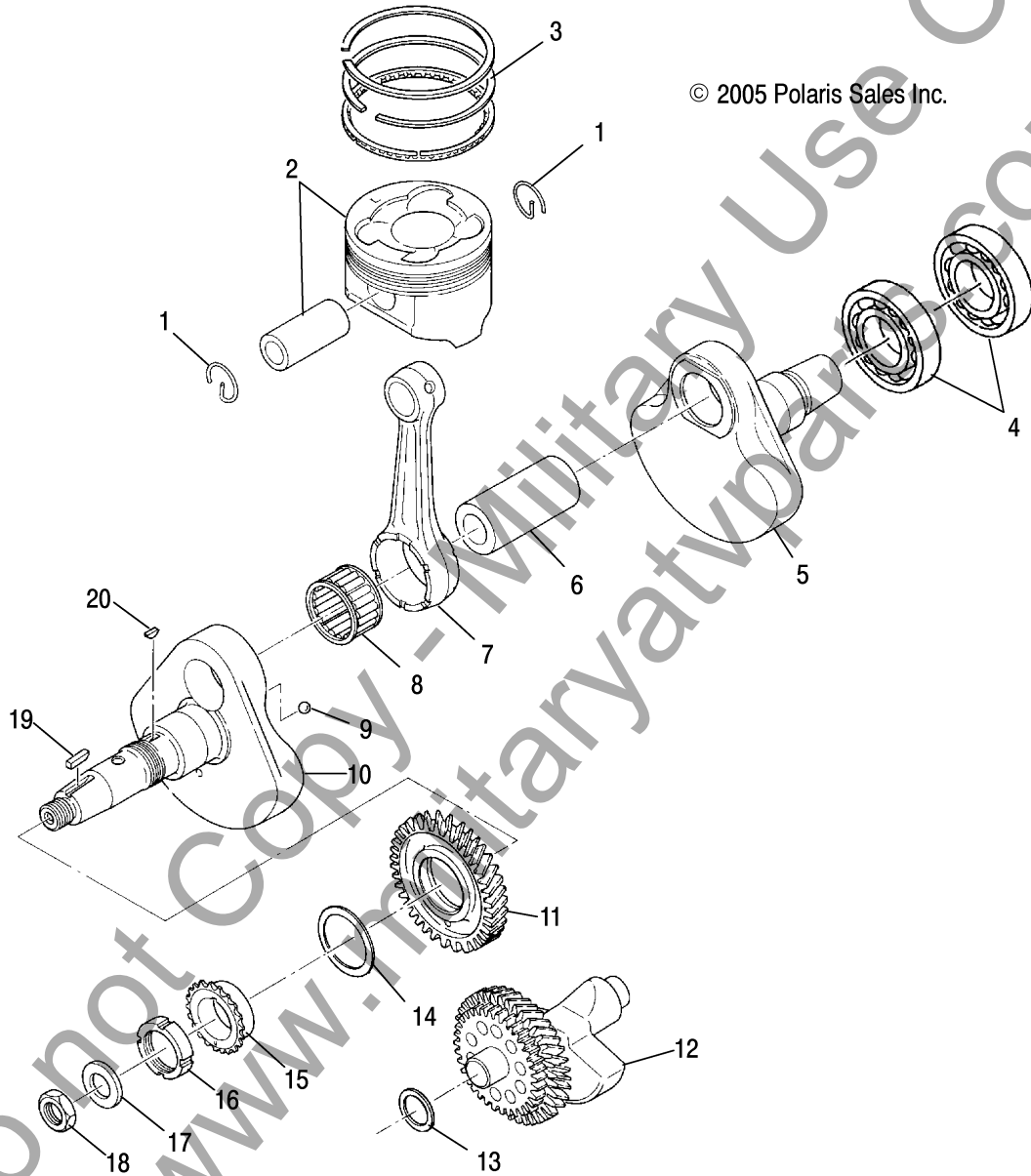
*

*

Do not Copy - Military Use Only
www.militaryatvparts.com

ENGINE, CRANKSHAFT and PISTON

Applies to A07CL50MA [4999201649920164D06]



ENGINE, CRANKSHAFT and PISTON**Applies to A07CL50MA [4999201649920164D06]**

Ref.	Part No.	Qty	Part Description	Notes
1.	3085534	2	Clip	
2.	3087221	1	Set, Piston, Standard	[Incl. 1]
2.	3087222	1	Set, Piston, .010 Inch/.25MM O/S	[Incl. 1]
2.	3087223	1	Set, Piston, .020 Inch/.50MM O/S	[Incl. 1]
3.	3087224	1	Set, Piston, Ring, Standard	
3.	3087225	1	Set, Piston, Ring, .010 Inch/.25MM O/S	
3.	3087226	1	Set, Piston, Ring, .020 Inch/.50MM O/S	
4.	3085815	2	Bearing, Ball	
5.	3085812	1	Crankshaft 2	
6.	3087090	1	Pin, Crank	
7.	3085376	1	Rod, Connecting	
8.	3085343	1	Bearing, End, Large	
9.	3085024	1	Ball, Steel	
10.	3089540	1	Asm., Crankshaft	[Incl. 4-11]
10.	3089541	1	Crankshaft 1	
11.	3089245	1	Gear 1, Balancer	
12.	3085404	1	Shaft, Balancer	
13.	3084895	1	Spacer, 0.8	
13.	3084896	1	Spacer, 1.0	
13.	3084897	1	Spacer, 1.2	
14.	3240088	1	Spacer, 0.6	
14.	3084892	1	Spacer, 0.8	
14.	3084893	1	Spacer, 1.0	
14.	3084894	1	Spacer, 1.2	
15.	3084882	1	Sprocket 1	
16.	3085528	1	Nut, Slit	
17.	3086767	1	Washer	
18.	3083905	1	Nut, Lock	
19.	3081447	1	Key	
20.	3081543	1	Key, Woodruff	

ENGINE, CYLINDER

Applies to A07CL50MA [4999201649920164D07]



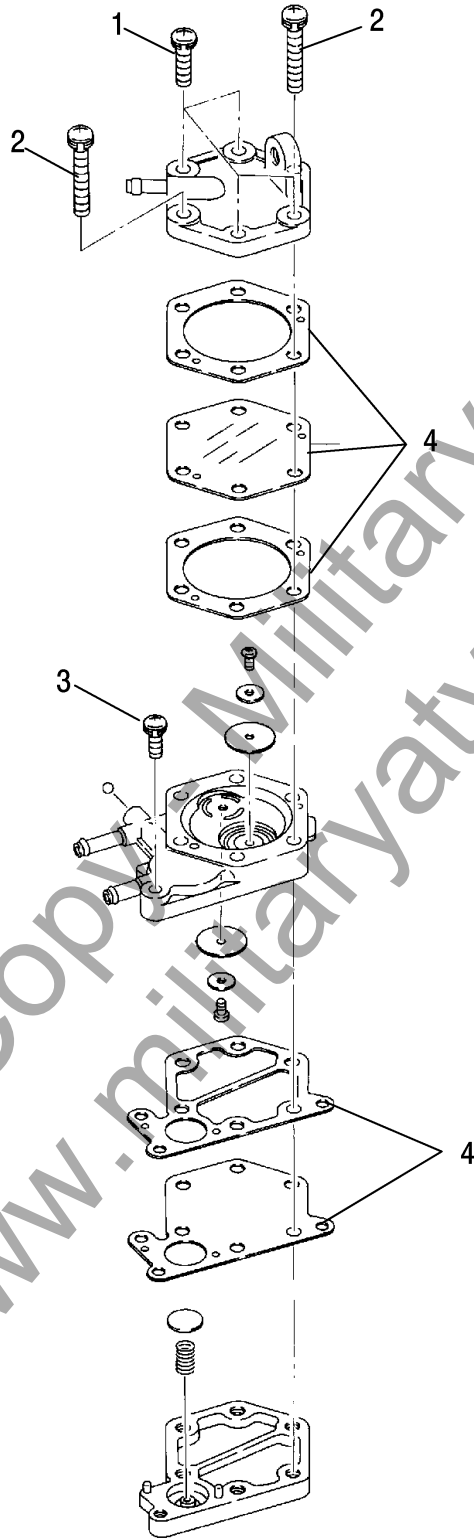
ENGINE, CYLINDER**Applies to A07CL50MA [4999201649920164D07]**

Ref.	Part No.	Qty	Part Description	Notes
1.	3083166	1	Asm., Band, Adapter	[Incl. 2]
2.	3081497	1	Asm., Screw and Washer	
3.	3081330	2	Bolt, Socket Head	
4.	3084857	2	Pin, Straight	
5.	3084994	4	Guide, Valve	
6.	3084858	2	Seal, Intake Valve	
7.	3084867	1	O-Ring	
8.	3084870	1	Adapter	
9.	3084877	10	Bolt, Flange	
10.	3084866	1	Adapter, Camshaft	
11.	3085074	1	Gasket, Rocker Cover	
12.	3085073	1	Cover, Rocker	
13.	3084874	10	Bolt, Flange	
14.	3084859	2	Seal, Exhaust Valve	
15.	3084861	1	Gasket	
16.	3084860	1	Plug	
17.	3084875	4	Bolt	
18.	3085854	1	Bolt, Rocker Shaft	
19.	3084876	4	Bolt	
20.	3084864	1	Support, Valve Rocker Shaft	[PTO]
21.	3084863	1	Support, Valve Rocker Shaft	[MAG]
22.	3084862	1	Plug, Blind	
23.	3085326	2	Stud	
24.	3080530	2	Washer, Spring Lock	
25.	3087199	2	Nut	
26.	3085075	1	Gasket	
27.	3086781	2	Bolt, Flange	
28.	3085527	1	Head, Cylinder	[Incl. 4-6,14-16,22,23]
29.	3089242	1	Cover, Camshaft	
30.	3084873	4	Bolt, Flange	
31.	3089256	1	Asm., Cylinder	[Incl. 32]
32.	3086747	1	Pipe 2, Elbow	
33.	3085370	1	Gasket, Cylinder	
34.	3087266	2	Pipe, Knock	
35.	3084849	1	Union	
36.	3085371	1	Gasket, Head	
37.	3084879	1	Adapter	

ENGINE, FUEL PUMP

Applies to A07CL50MA [4999201649920164E02]

© 2005 Polaris Sales Inc.



ENGINE, FUEL PUMP

Applies to A07CL50MA [4999201649920164E02]

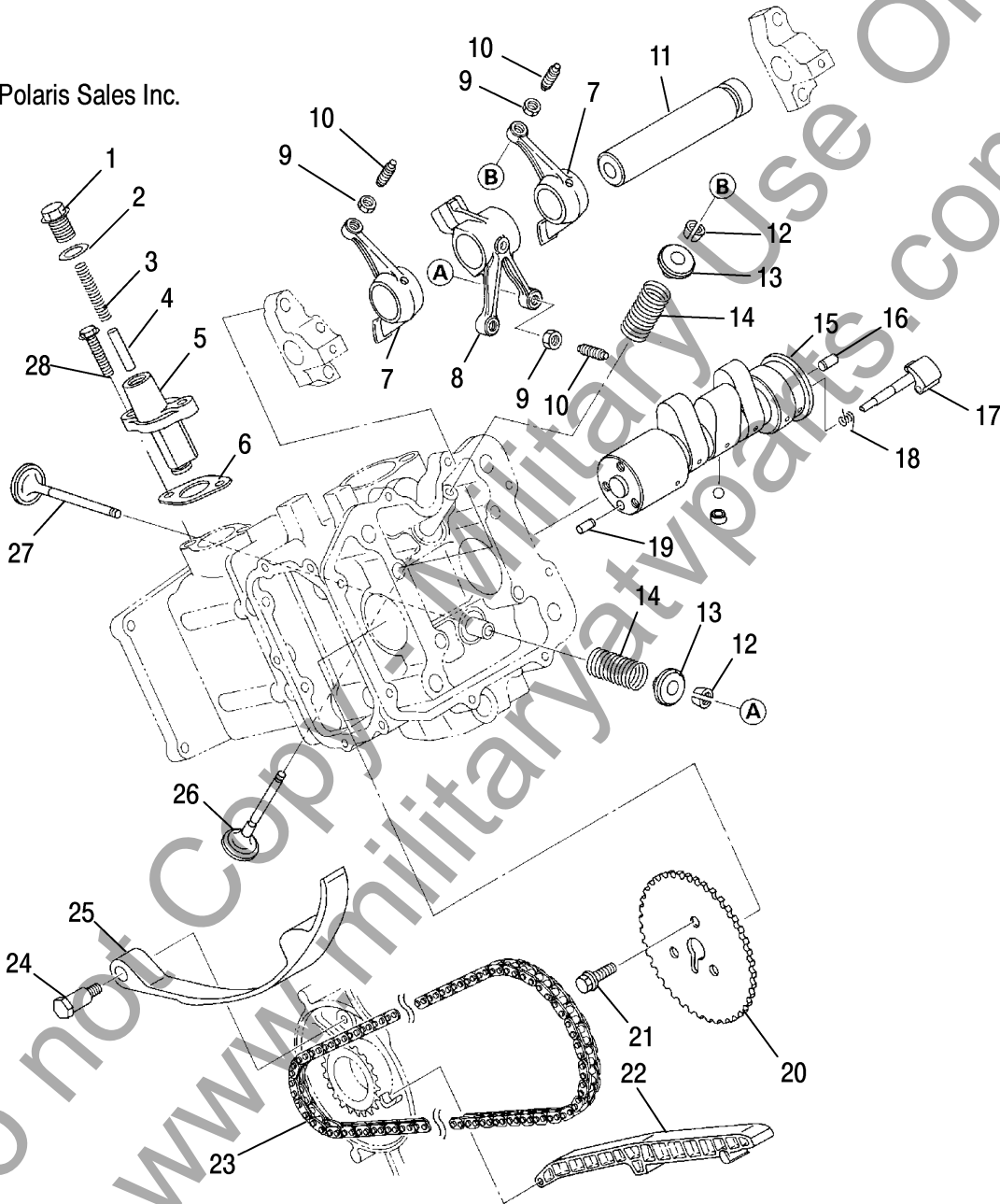
Ref.	Part No.	Qty	Part Description	Notes
1.	3084591	4	Asm., Screw and Washer	
2.	3085356	2	Asm., Screw and Washer	
3.	3084999	1	Asm., Screw and Washer	
4.	3088170	1	Set, Gasket, Diaphragm	
.	3085275	1	Asm., Fuel Pump	[Incl. All]

* Do not Copy - Military Use Only *
www.militaryatvparts.com

ENGINE, INTAKE and EXHAUST

Applies to A07CL50MA [4999201649920164D09]

© 2005 Polaris Sales Inc.



ENGINE, INTAKE and EXHAUST

Applies to A07CL50MA [4999201649920164D09]

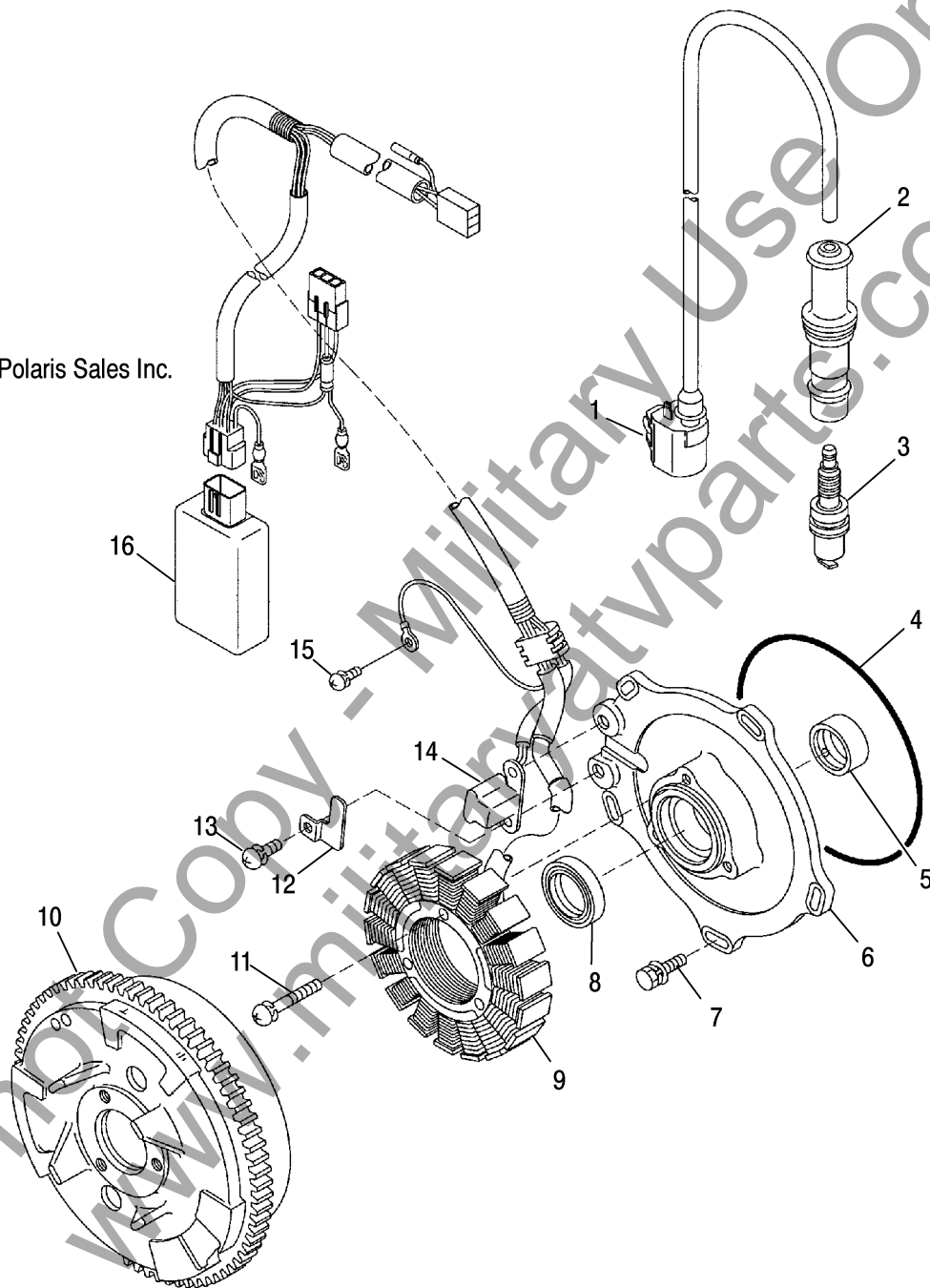
Ref.	Part No.	Qty	Part Description	Notes
1.	3087129	1	Plug	
2.	3087130	1	Gasket, Plug	
3.	3087131	1	Spring, Tensioner	
4.	3087132	1	Pin	
5.	3086493	1	Asm., Tensioner	[Incl. 1-4]
6.	3086448	1	Gasket, Tensioner	
7.	3084910	2	Asm., Rocker Arm, Intake	[Incl. 9,10]
8.	3084913	1	Asm., Rocker Arm, Exhaust	[Incl. 9,10]
9.	3084912	4	Nut	
10.	3084911	4	Screw, Adjusting	
11.	3084909	1	Shaft, Rocker	
12.	3084908	8	Collet, Valve	
13.	3087203	4	Retainer, Valve Spring	
14.	3086892	4	Spring, Valve	
15.	3086212	1	Asm., Camshaft	[Incl. 15-19]
16.	3086838	1	Pin, Dowel	
17.	3085348	1	Lever, Release	
18.	3085076	1	Spring, Return	
19.	3084899	1	Pin, Dowel	
20.	3084914	1	Sprocket 2	
21.	3081657	3	Asm., Bolt and Washer	
22.	3084916	1	Guide, Chain	
23.	3084915	1	Chain, Timing	
24.	3084924	1	Asm., Bolt, Pivot Lever	
25.	3084917	1	Lever	
26.	3085349	2	Valve, Intake	
27.	3085412	2	Valve, Exhaust	
28.	3083361	2	Bolt, Flange	

* Do not Copy - Military Use Only *
www.militaryatvparts.com

ENGINE, MAGNETO

Applies to A07CL50MA [4999201649920164D14]

© 2005 Polaris Sales Inc.



ENGINE, MAGNETO

Applies to A07CL50MA [4999201649920164D14]

Ref.	Part No.	Qty	Part Description	Notes
1.	3089239	1	Asm., Ignition Coil	[Incl. 1,2]
2.	3084980	1	Cap, Spark Plug	
3.	3070175	1	Plug, Spark, BKR5E	
4.	3084978	1	O-Ring	
5.	3084972	1	Bearing, Metal	
6.	3089545	1	Asm., Plate	[Incl. 5,6,8,9,11-15]
6.	3089248	1	Plate	
7.	3081657	5	Asm., Bolt and Washer	
8.	3084973	1	Seal, Oil	
9.	3089546	1	Stator	[Incl. 14]
10.	3089544	1	Flywheel w/Ring Gear	
11.	3089547	3	Asm., Screw and Washer	
12.	3089250	1	Band, Pulse	
13.	3084976	2	Asm., Screw and Washer	
14.	3089254	1	Coil, Pulser	
15.	3081256	1	Asm., Screw and Washer	
16.	3089238	1	CDI System	

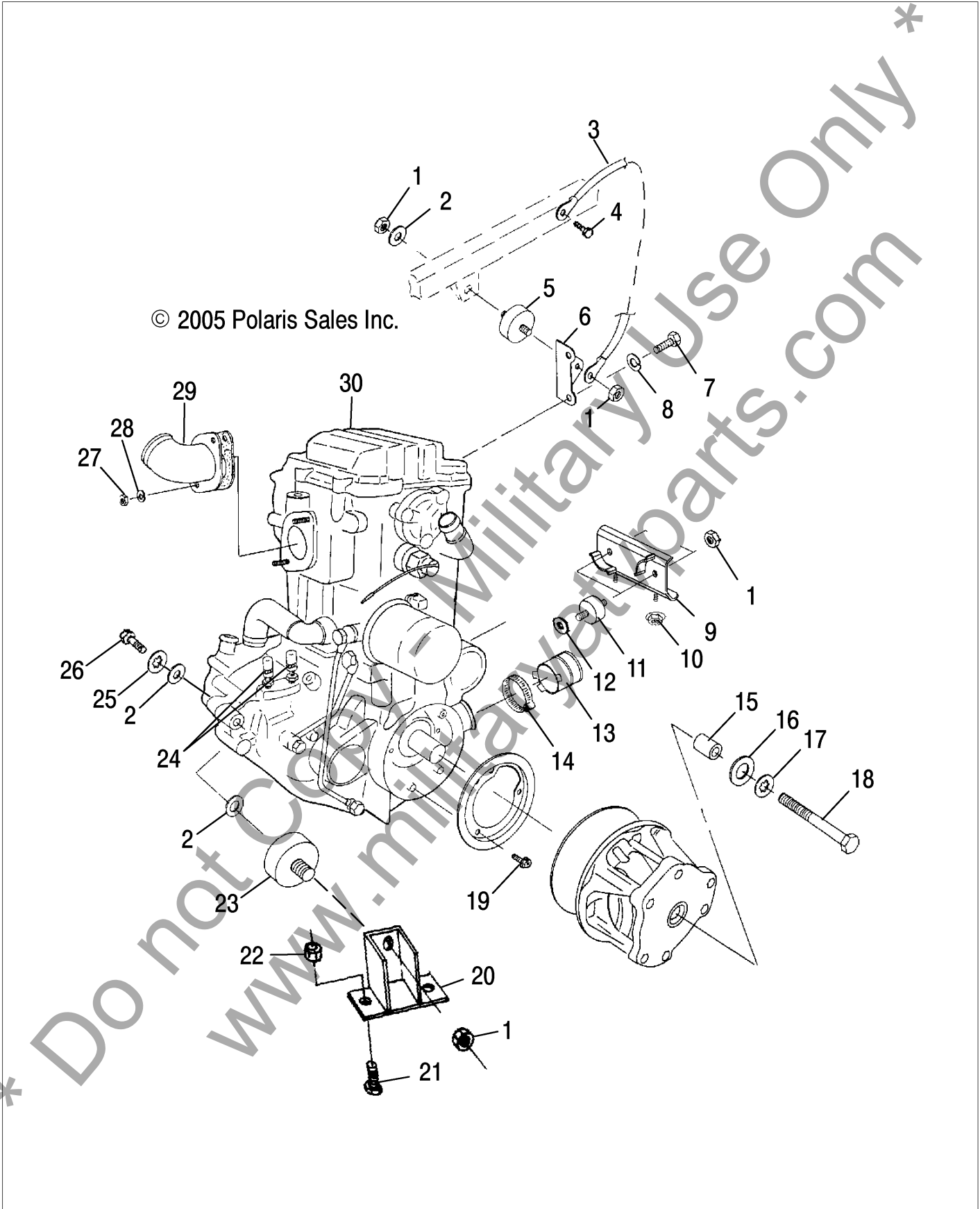
*

Do not Copy - Military Use Only
www.militaryatvparts.com

*

ENGINE, MOUNTING

Applies to A07CL50MA [4999201649920164A09]



ENGINE, MOUNTING

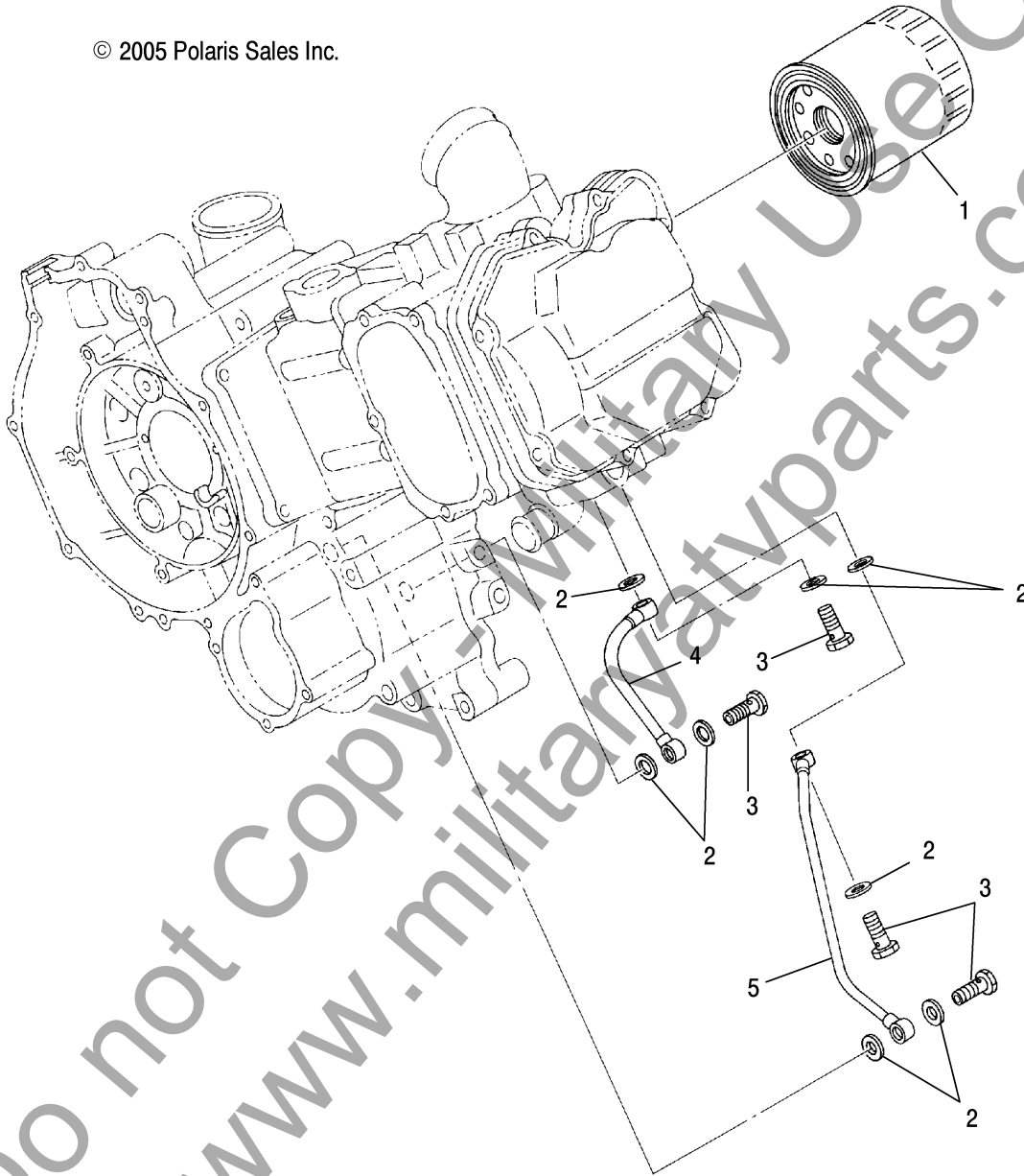
Applies to A07CL50MA [4999201649920164A09]

Ref.	Part No.	Qty	Part Description	Notes
1.	7547108	5	Nut	
2.	7555801	4	Washer	
3.	4010132	1	Cable, Ground/Engine	
4.	7512232	1	Bolt	
5.	3110044	1	Mount, Rubber, Top	
6.	5242674	1	Bracket, Mount, Engine, Top	
7.	7512315	2	Bolt	
8.	7552901	2	Washer, Spring Lock	
9.	1014993-067	1	Mount, Rear Engine, Black	
10.	7547089	2	Nut, Flange, Lock	
11.	3110046	2	Mount, Rubber, Front	
12.	7555815	2	Washer, Flat	
13.	5412487	1	Boot, Clutch Intake	
14.	7080511	1	Clamp, Narrow Band	
15.	5430261	1	Bushing	
16.	5210748	1	Washer	
17.	7575202	1	Washer, Lock	
18.	7512566	1	Bolt	
19.	3084205	5	Asm., Screw and Washer	
20.	1040688-067	1	Mount, Engine, Front, Black	
21.	7515398	2	Screw	
22.	7542324	2	Nut, Nylok	
23.	3110067	1	Mount, Motor	
24.	7080474	2	Clamp, Hose	
25.	7552603	1	Washer, Spring Lock	
26.	7515417	1	Screw	
27.	3087199	2	Nut	
28.	3080530	2	Washer, Spring Lock	
29.	1261391-029	1	Manifold, Black	
30.	3089961	1	Engine, Short Block, EH500PLE108	NOTE: The Short Block assembly contains a crankcase assembly, cylinder and cylinder head assembly, and a piston & crankshaft assembly. Prior authorization required for warranty consideration.

ENGINE, OIL FILTER

Applies to A07CL50MA [4999201649920164D13]

© 2005 Polaris Sales Inc.



ENGINE, OIL FILTER

Applies to A07CL50MA [4999201649920164D13]

Ref.	Part No.	Qty	Part Description	Notes
1.	3084963	1	Asm., Filter, Oil	
2.	3084846	8	Gasket, Aluminum	
3.	3086815	4	Bolt, Banjo	
4.	3084964	1	Pipe, Oil Delivery 1	
5.	3084965	1	Pipe, Oil Delivery 2	

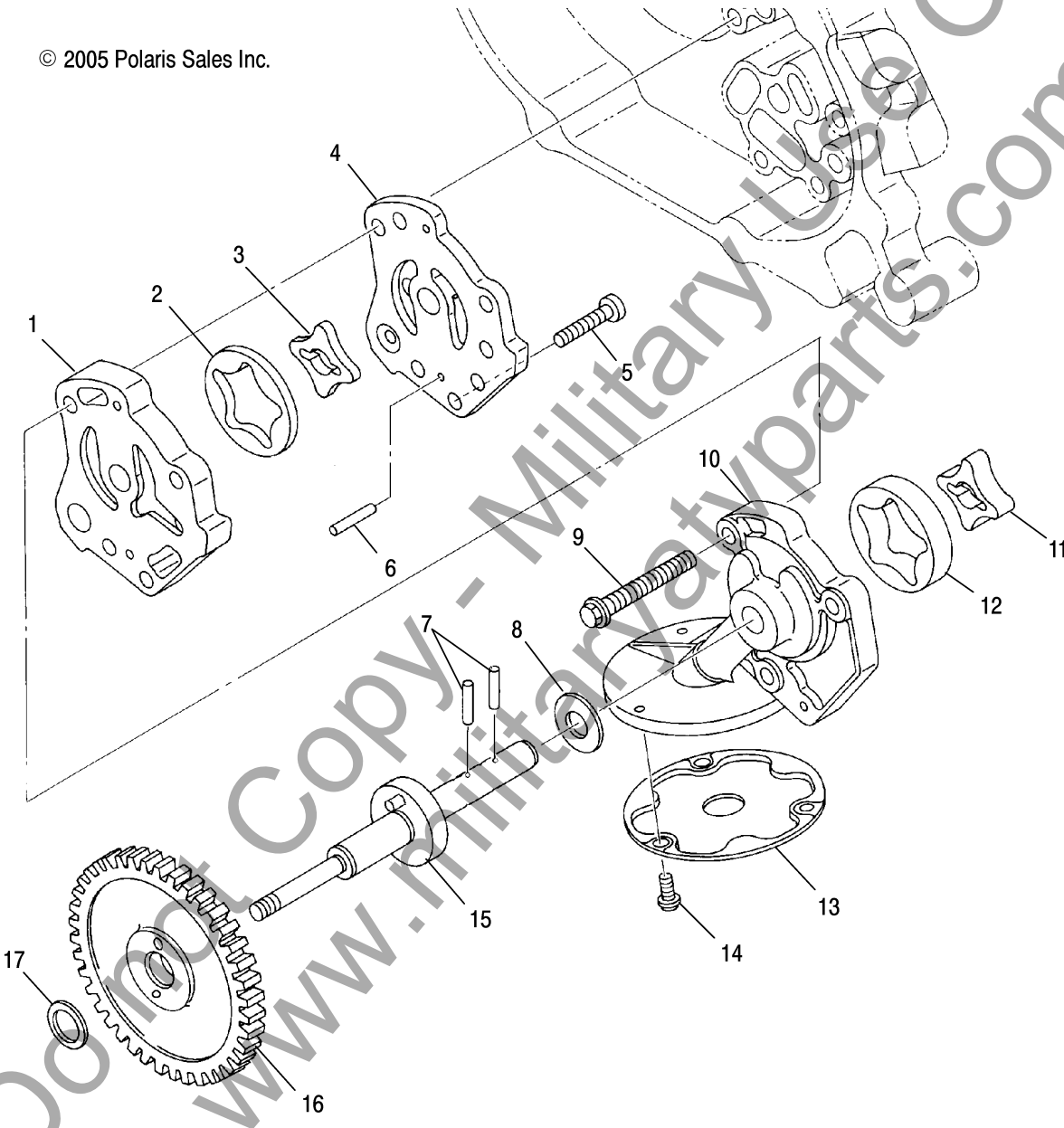
* Do not Copy - Military Use Only *

www.militaryatvparts.com

ENGINE, OIL PUMP

Applies to A07CL50MA [4999201649920164D12]

© 2005 Polaris Sales Inc.



ENGINE, OIL PUMP

Applies to A07CL50MA [4999201649920164D12]

Ref.	Part No.	Qty	Part Description	Notes
1.	3084946	1	Pump, Oil, Case 2	
2.	3084949	1	Rotor, Outer, Feed	
3.	3084948	1	Rotor, Inner, Feed	
4.	3087276	1	Asm., Oil Pump	[Incl. 1-8,10-15]
4.	3087264	1	Pump, Oil, Case 1	
5.	3085535	1	Screw	
6.	3084955	2	Pin, Dowel	
7.	3084954	2	Pin, Dowel	
8.	3084953	1	Washer	
9.	3084962	3	Asm., Bolt and Washer	
10.	3087265	1	Pump, Oil, Case 3	
11.	3084950	1	Rotor, Inner	
12.	3084951	1	Rotor, Outer	
13.	3084956	1	Unit, Oil Strainer	
14.	3084205	3	Asm., Screw and Washer	
15.	3084952	1	Shaft, Pump	
16.	3084958	1	Gear 2, Pump	
17.	3084959	AR	Spacer, 0.8	
17.	3084960	AR	Spacer, 1.0	
17.	3084961	AR	Spacer, 1.2	

*

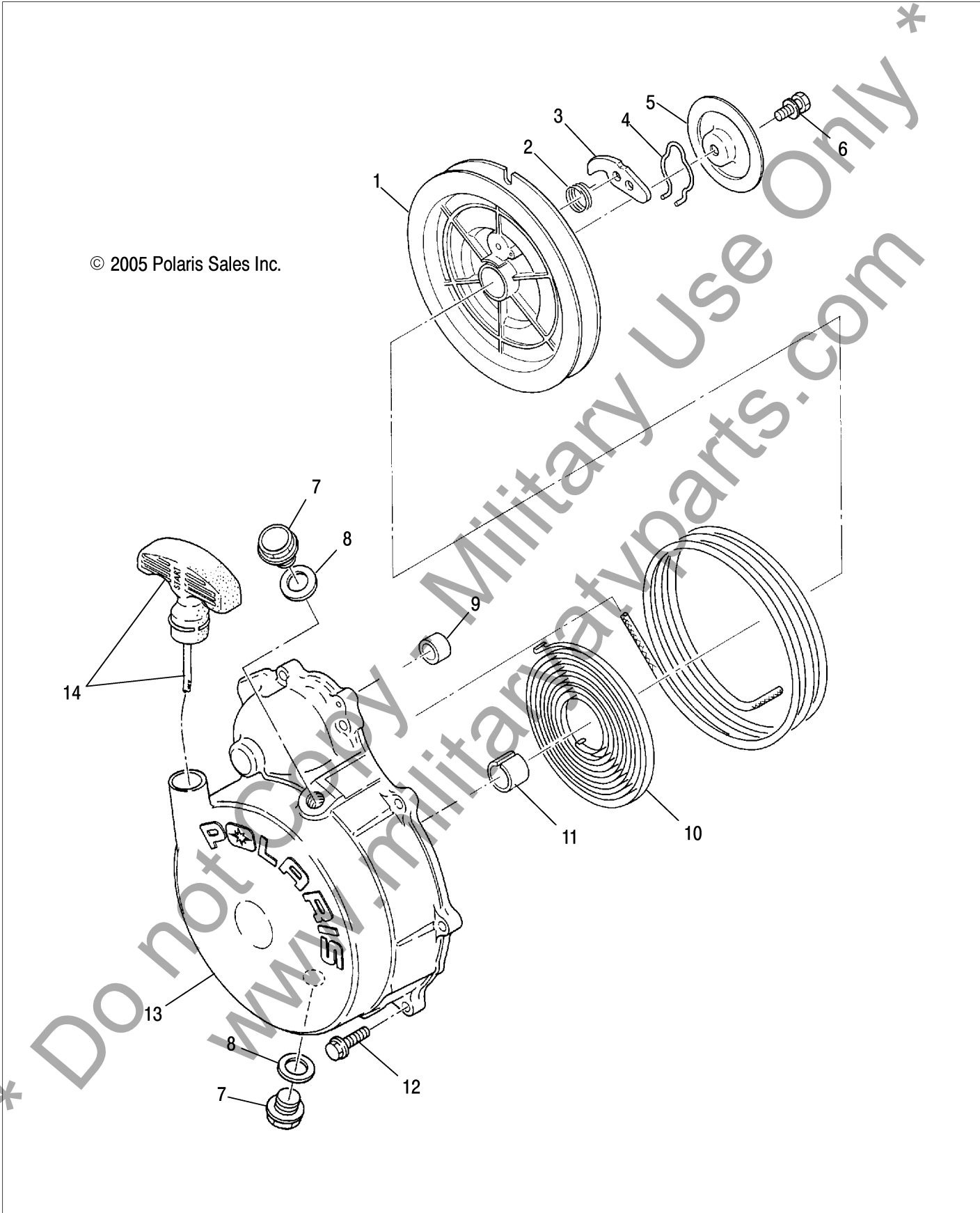
*

Do not Copy - Military Use Only
www.militaryatvparts.com

ENGINE, RECOIL STARTER

Applies to A07CL50MA [4999201649920164D10]

© 2005 Polaris Sales Inc.



ENGINE, RECOIL STARTER

Applies to A07CL50MA [4999201649920164D10]

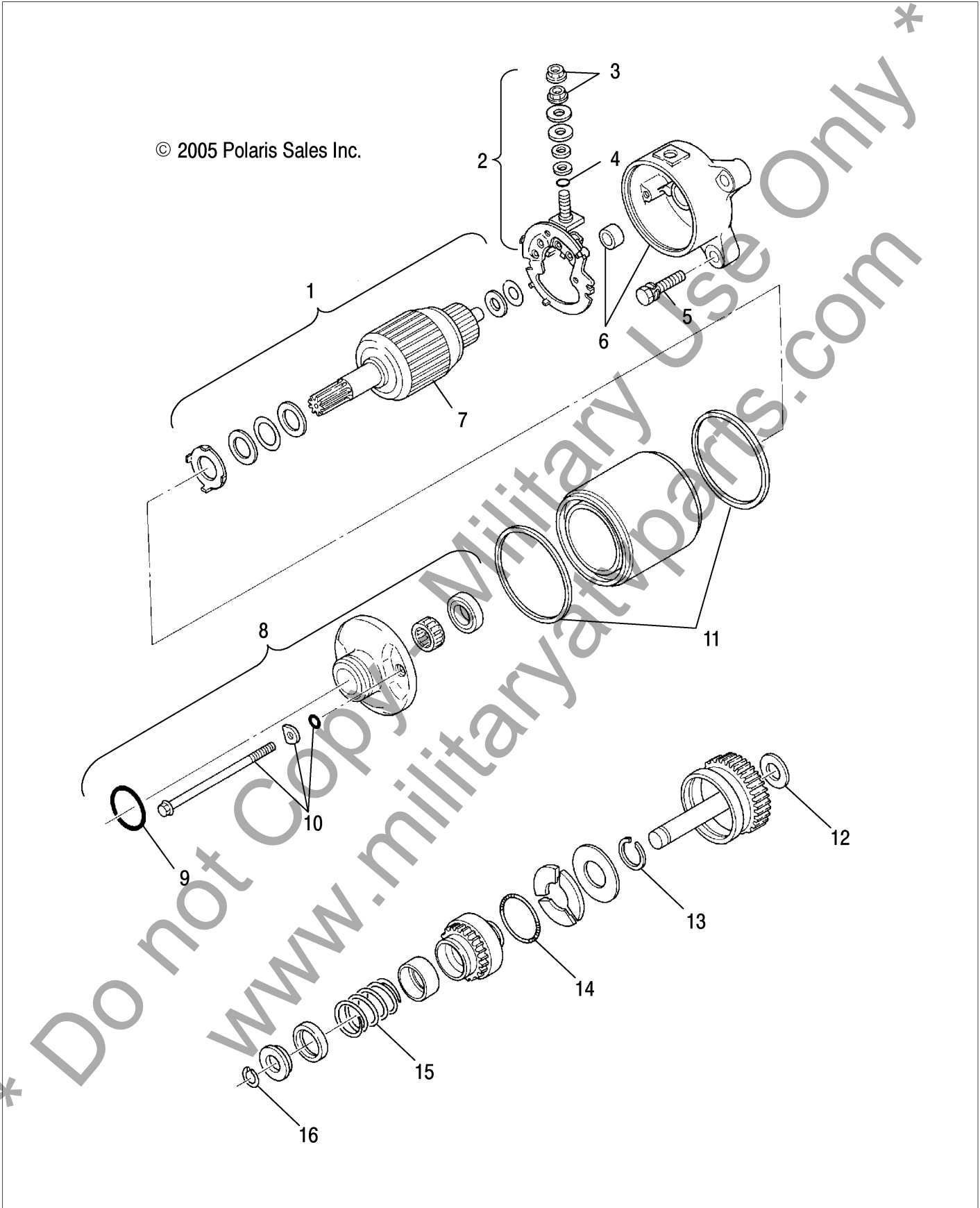
Ref.	Part No.	Qty	Part Description	Notes
1.	3084822	1	Asm., Reel	
2.	3083463	1	Spring, Return	
3.	3083378	1	Ratchet	
4.	3083379	1	Spring, Friction	
5.	3084744	1	Plate, Friction	
6.	3085266	1	Asm., Bolt and Washer	
7.	3086749	2	Plug	
8.	3082956	2	Gasket	
9.	3083669	1	Bushing, Starter	
10.	3083185	1	Spring, Spiral	
11.	3084750	1	Bushing	
12.	3084877	9	Bolt, Flange	
13.	3087163	1	Asm., Recoil	[Incl. 1-6,9-11,13,14]
13.	3087164	1	Asm., Starter Case	[Incl. 11]
14.	3085083	1	Asm., Rope	

*

*

ENGINE, STARTING MOTOR

Applies to A07CL50MA [4999201649920164E01]



ENGINE, STARTING MOTOR

Applies to A07CL50MA [4999201649920164E01]

Ref.	Part No.	Qty	Part Description	Notes
1.	3084982	1	Set, Washer	
2.	3088169	1	Set, Brush, Carbon	
3.	3083649	2	Nut, Flange	
4.	3084408	3	O-Ring	
5.	3082038	2	Asm., Bolt and Washer	
6.	3085034	1	Asm., Cover, Rear	
7.	3085353	1	Asm., Armature	
8.	3085033	1	Asm., Bracket, Front	[Incl. 9]
9.	3240114	1	O-Ring	
10.	3084983	2	Asm., Bolt Set	[Incl. 4]
11.	3084405	2	Ring, Rubber	
12.	7555908	1	Washer	
13.	3084412	1	Clip	
14.	3084411	1	Spring, Weight	
15.	3084410	1	Spring, Return	
16.	3084409	1	Clip	
.	3084981	1	Asm., Starting Motor	[Incl. 1-4,6-11]
.	3087030	1	Asm., Gear Shaft	[Incl. 13-16]

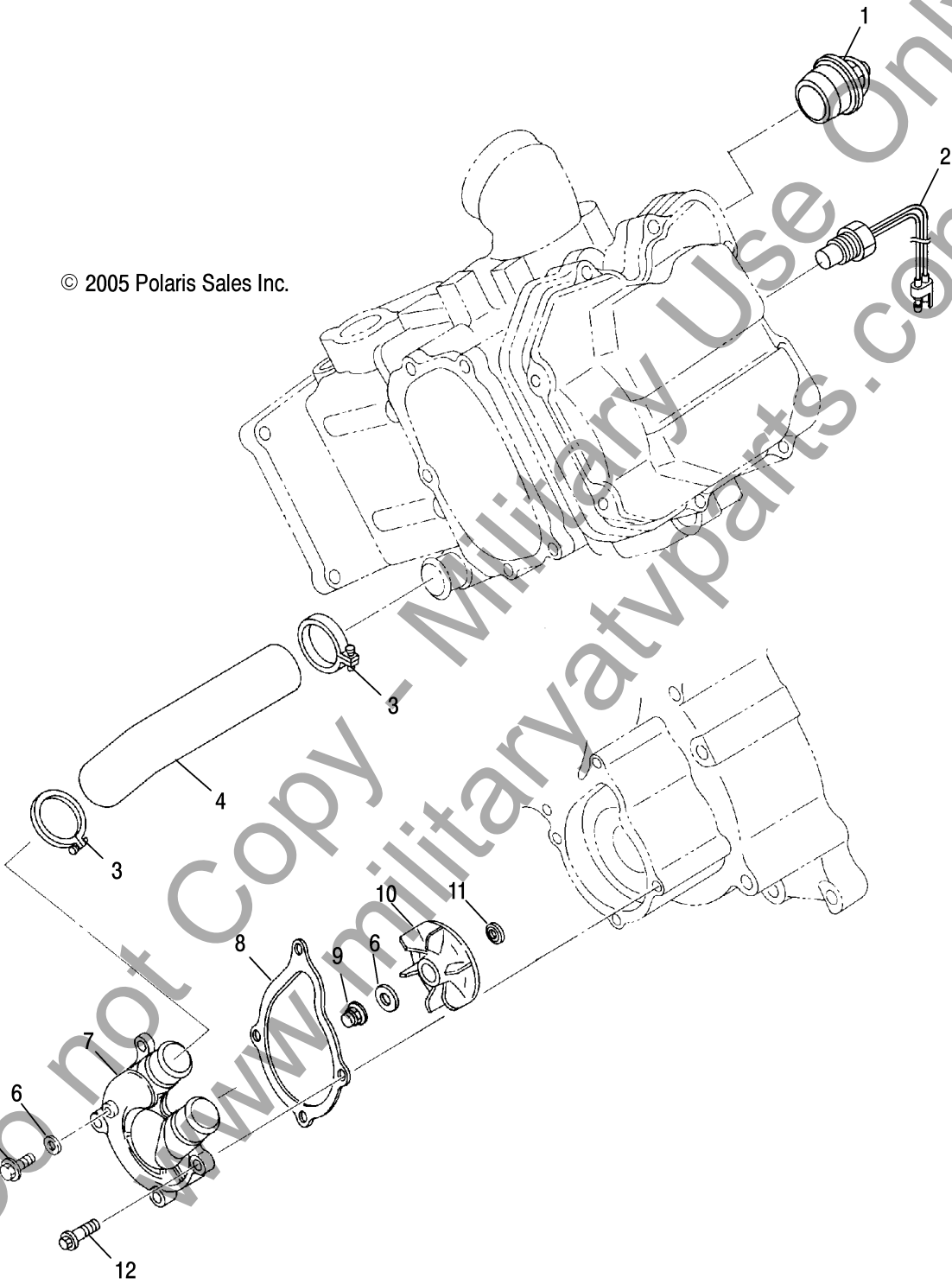
*

*

ENGINE, WATER PUMP

Applies to A07CL50MA [4999201649920164D11]

© 2005 Polaris Sales Inc.



ENGINE, WATER PUMP

Applies to A07CL50MA [4999201649920164D11]

Ref.	Part No.	Qty	Part Description	Notes
1.	3084940	1	Thermostat	
2.	3089246	1	Asm., Sensor, Thermo	
3.	3086774	2	Clamp, Hose	
4.	3085857	1	Hose, Main	
5.	3085359	1	Bolt, Flange	
6.	7555998	2	Washer, Flat	
7.	3085351	1	Cover, Water Pump	
8.	3086840	1	Gasket, Water Pump	
9.	3085077	1	Nut, Self Lock	
10.	3084935	1	Impeller	
11.	3084942	1	Washer, Seal	
12.	3084877	4	Bolt, Flange	

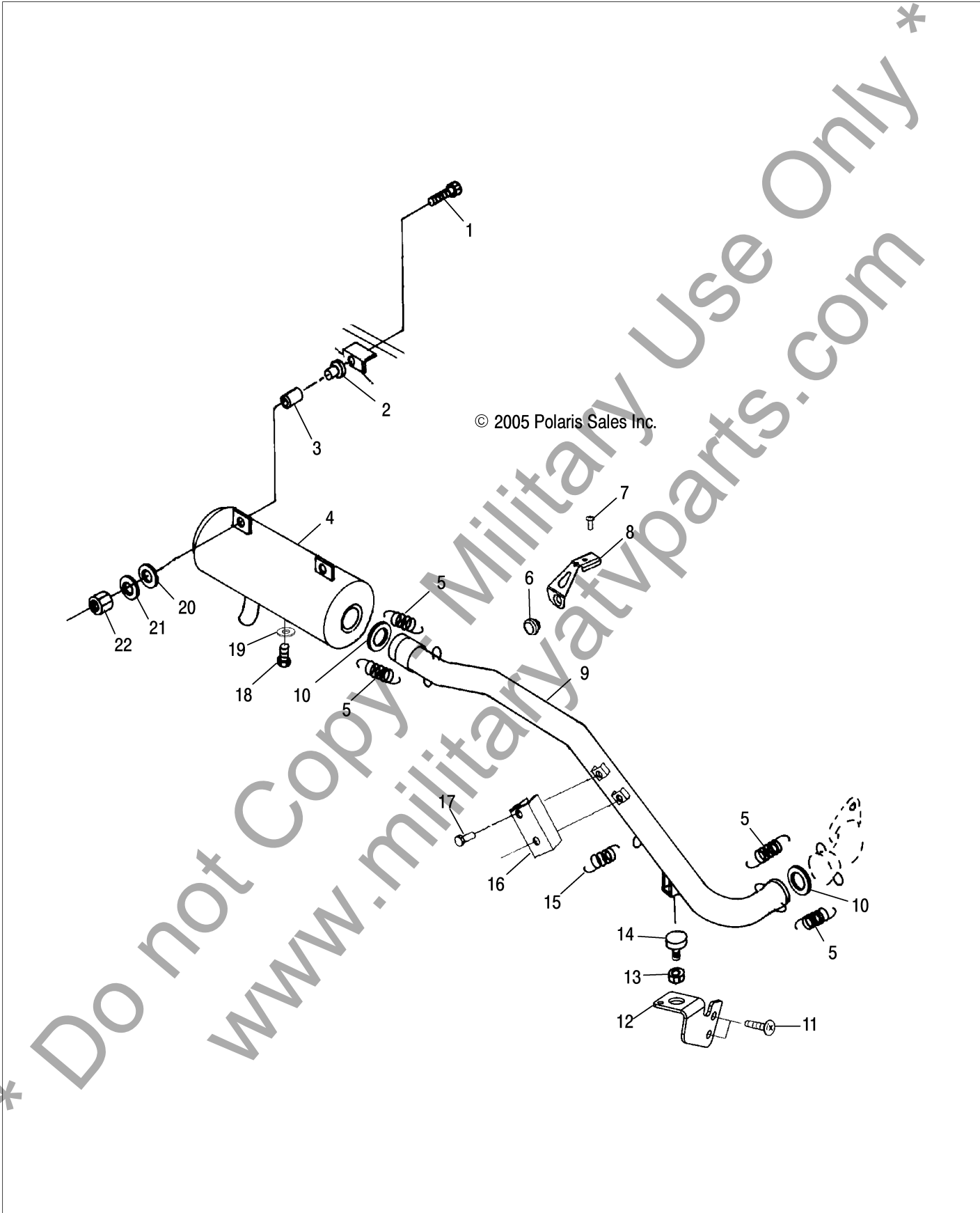
*

Do not Copy - Military Use Only
www.militaryatvparts.com

*

EXHAUST SYSTEM

Applies to A07CL50MA [4999201649920164A08]



EXHAUST SYSTEM

Applies to A07CL50MA [4999201649920164A08]

Ref.	Part No.	Qty	Part Description	Notes
1.	7515316	2	Bolt	
2.	5412659	2	Dampener, Vibration	
3.	5010192	2	Bushing	
4.	1260989-029	1	Silencer, Black	
5.	7041804	4	Spring	
6.	5412067	1	Bumper, Rubber	
7.	7517386	1	Screw	
8.	5246408	1	Bracket, Support, Side Panel, RH	
9.	1261245-029	1	Pipe, Exhaust, Black	
10.	5243518	2	Seal, Exhaust	
11.	7512232	2	Bolt	
12.	5242344	1	Bracket, Exhaust, Support	
13.	7542301	1	Nut, Hex	
14.	3110064	1	Mount, Torque Stop	
15.	7042029	1	Spring	
16.	5244014	1	Shield, Heat, Exhaust	
17.	7517615	2	Screw	
18.	7512666	2	Bolt	
19.	7556230	1	Washer	
20.	5410436	2	Washer, Rubber	
21.	7555716	2	Washer	
22.	7542324	2	Nut, Nylok	

*

*

FUEL SYSTEM

Applies to A07CL50MA [4999201649920164A11]



FUEL SYSTEM

Applies to A07CL50MA [4999201649920164A11]

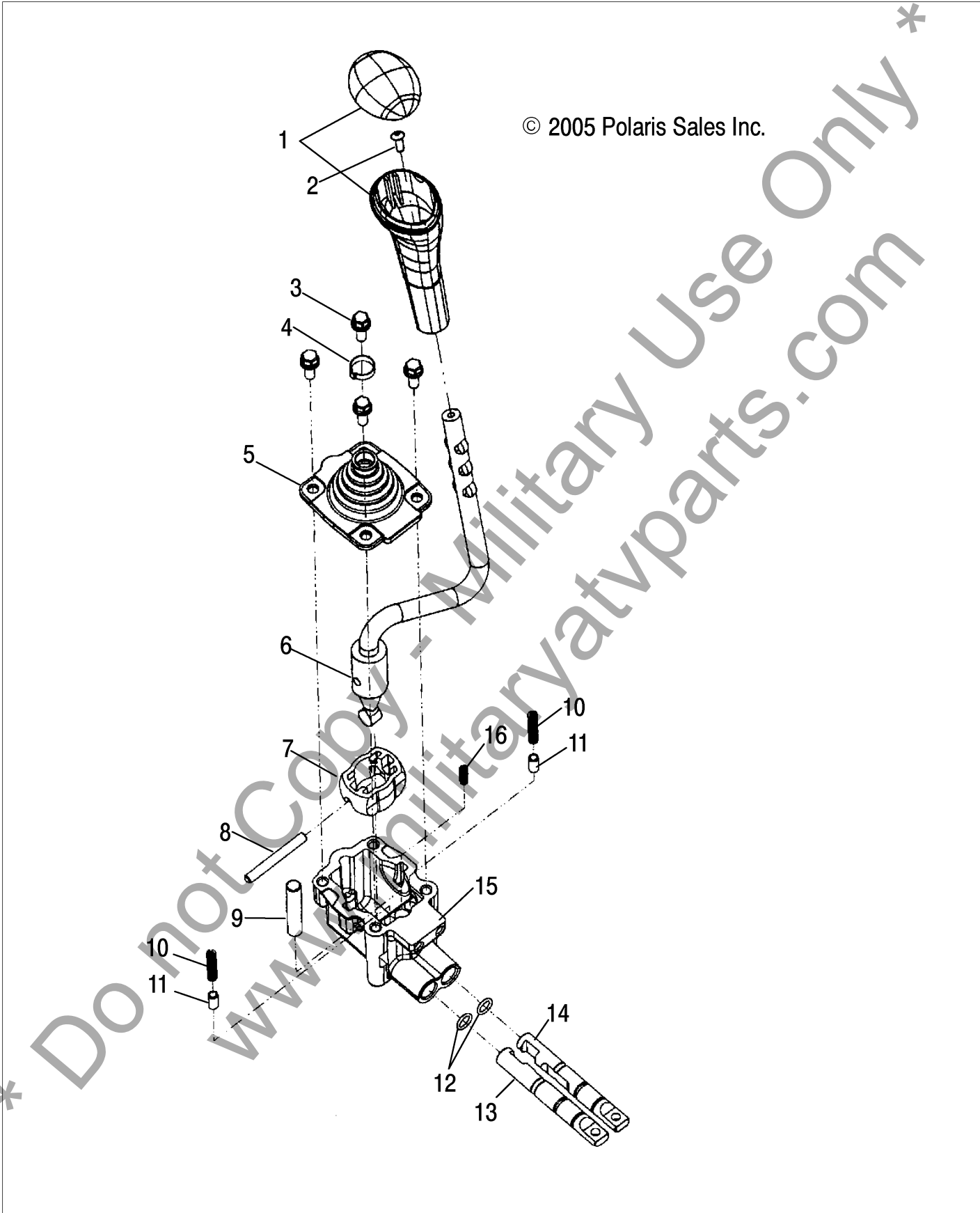
Ref.	Part No.	Qty	Part Description	Notes
1.	5433687	1	Cap, Gas Tank	
2.	5812123	1	Gasket	
3.	5811310	1	Seal, Foam	
4.	8360009-600	AR	Line, Fuel	
5.	5431053	1	Vent, Tank	
6.	7515179	2	Screw	
7.	5222154	1	Bracket, Fuel Mounting, Cover, LH	
7.	5222155	1	Bracket, Fuel Mounting, Cover, RH	
8.	7052161	1	Valve, 3-Way	
9.	5432733	1	Nut, Fuel Valve	
10.	5432559	1	Knob, Fuel Valve	
11.	7517505	1	Screw	
12.	7080003	6	Clamp, Hose	
13.	8450103	AR	Line, Fuel	
14.	5813045	1	Foil	
15.	7052364	1	Fitting, Dual, Outlet	
16.	7515136	1	Screw	
17.	2530009	1	Filter, Small, In-Line	
18.	8450105-65	AR	Sheath, Reflect Sleeve	
19.	5813044	1	Foil	
20.	2520407	1	Asm., Fuel Tank	[Incl. 14-16,19]

*

*

GEAR SELECTOR

Applies to A07CL50MA [4999201649920164C11]



GEAR SELECTOR

Applies to A07CL50MA [4999201649920164C11]

Ref.	Part No.	Qty	Part Description	Notes
1.	3233195	1	Asm., Knob, Hi/Lo/Rev.	
2.	7512024	1	Screw	
3.	3233649	4	Screw	
4.	3233131	1	Strap, Wire	
5.	3233648	1	Cover, Gear Selector Boot	
6.	3233658	1	Handle, Gear Selector	
7.	3233646	1	Sphere, Plastic	
8.	3233754	1	Pin, Dowel	
9.	3233644	1	Pin, Dowel	
10.	3233642	2	Spring, Detent	
11.	3233060	2	Bullet, Detent	
12.	3233076	2	O-Ring	
13.	3233639	1	Slide, Low	
14.	3233640	1	Slide, High/Reverse	
15.	3233641	1	Body, Gear Selector	
16.	3233643	1	Spring, Centering	
.	1341271	1	Asm., Gear Selector	[Incl. All]

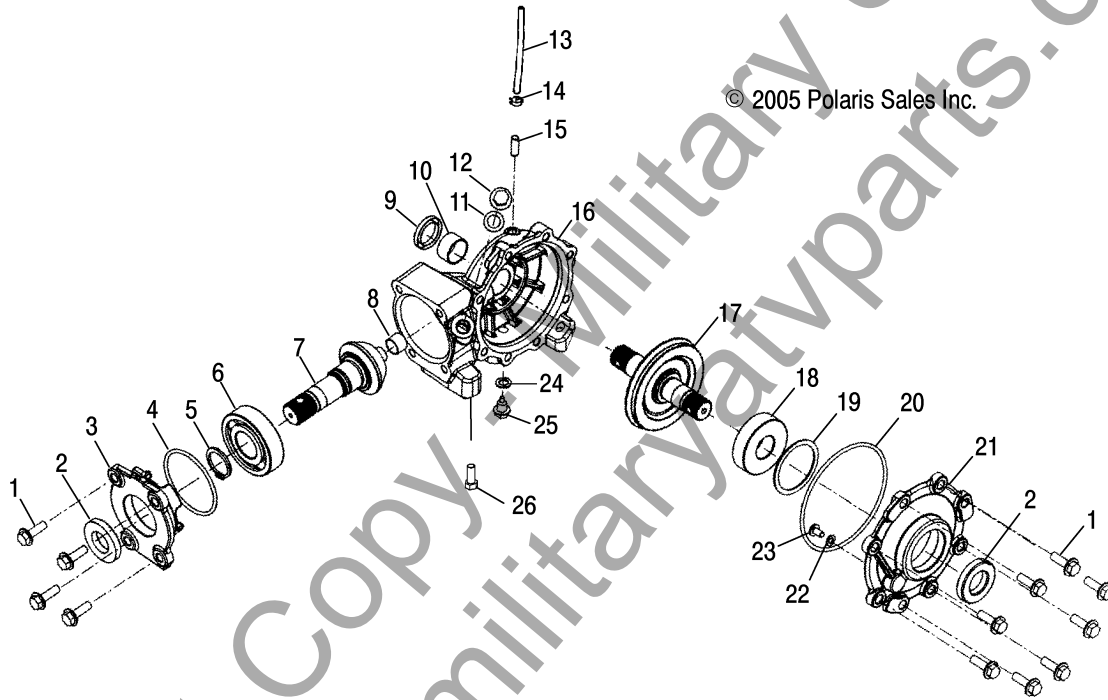
*

Do not Copy - Military Use Only
www.militaryatvparts.com

*

GEARCASE, FRONT

Applies to A07CL50MA [4999201649920164B01]



GEARCASE, FRONT

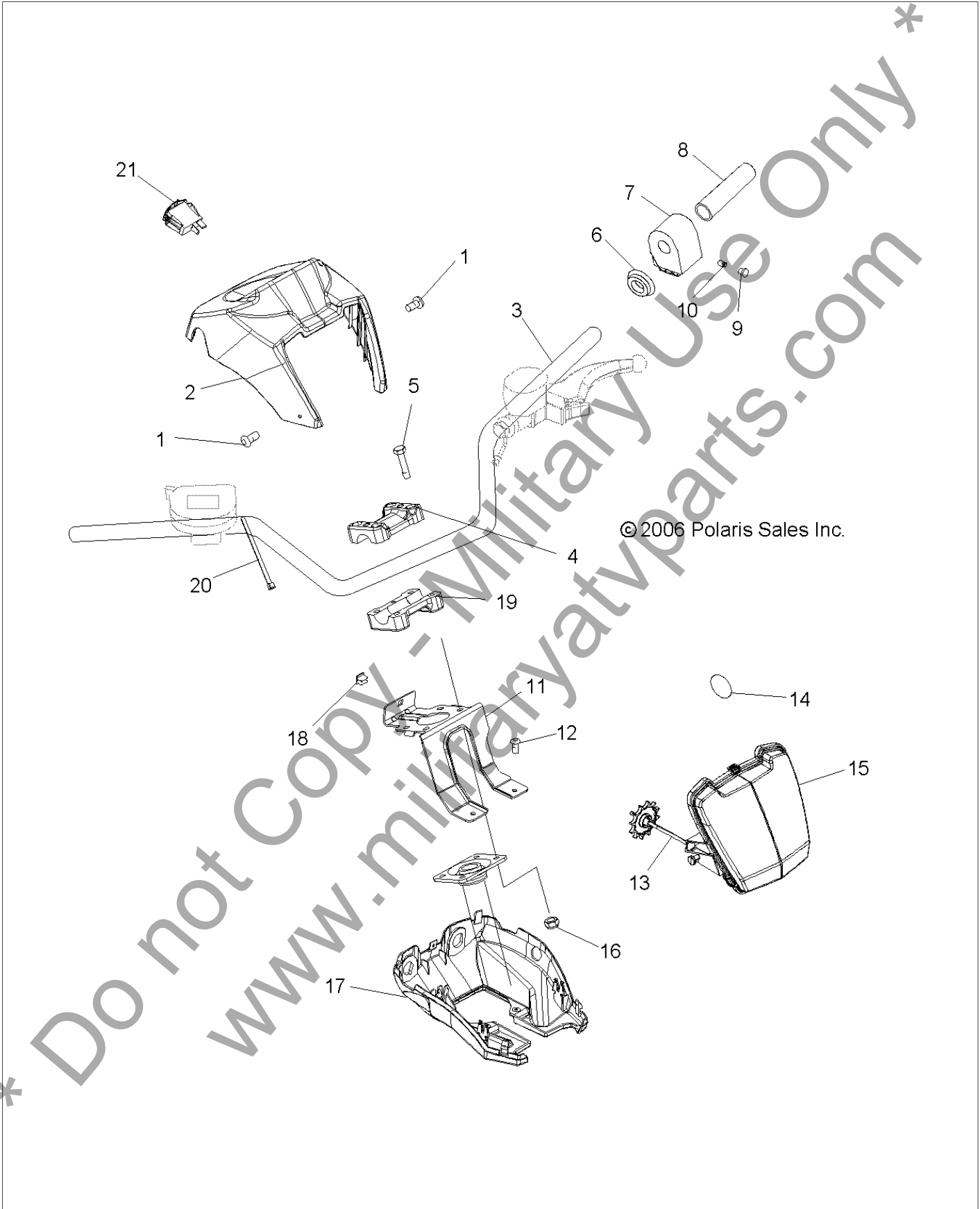
Applies to A07CL50MA [4999201649920164B01]

Ref.	Part No.	Qty	Part Description	Notes
1.	3233252	12	Screw	
2.	3233248	2	Seal	
3.	3233701	1	Cover, Input, Front Housing	
4.	3233700	1	O-Ring	
5.	3233699	1	Ring, Retaining	
6.	3233589	1	Bearing, Ball	
7.	3233726	1	Pinion, Input, 14T	
8.	3233541	1	Bushing	
9.	3233319	1	Seal	
10.	3233697	1	Bushing	
11.	3233324	1	Washer	
12.	3233711	1	Plug, Oil Fill	
13.	8450003-1525	AR	Line, Fuel	
14.	7080307	1	Clamp, Hose	
15.	3233524	1	Tube, Vent	
16.	3233696	1	Gearcase	
17.	3233725	1	Shaft, Output, 29T	
18.	3233020	1	Bearing	
19.	3233554	AR	Shim	
20.	3233693	1	O-Ring	
21.	3233724	1	Cover, Output	
22.	3233583	AR	Shim	
23.	3233582	1	Button, Thrust	
24.	3233254	1	Washer, Plug	
25.	3233253	1	Plug, Drain	
26.	7518364	4	Bolt	
.	1341323	1	Asm., Front Gearcase	[Incl. 1-12,15-25]

* Do not Copy - Military Use Only *
www.militaryatvparts.com

HANDLEBAR and HEADLIGHT POD

Applies to A07CL50MA [49ATVHANDLEBAR076X6MV]



HANDLEBAR and HEADLIGHT POD

Applies to A07CL50MA [49ATVHANDLEBAR076X6MV]

Ref.	Part No.	Qty	Part Description	Notes
1.	7511881	3	Screw	
2.	5435364-400	1	Pod, Headlight, Upper, Camo Green Metallic	
3.	5244581-067	1	Tube, Handlebar, Black	
4.	5631517	1	Block, Handlebar, Pegged	
5.	7515189	4	Screw	
6.	5433903	1	Spacer, Switch, LH	
7.	4011385	1	Control, LH Hi/Lo/Off	
8.	5412900-070	2	Grip, Handlebar, Black	
9.	5432952	1	Plug, Hole	
10.	7517625	1	Screw, Set	
11.	5244969-067	1	Bracket, Pod Mounting, Black	
12.	7517317	2	Screw	
13.	4032079	1	Knob, Adjusting	[w/Rod]
14.	5410163	2	O-Ring	
15.	2410642	1	Asm., Headlight, Black	
16.	7542122	4	Nut, Nylok	
17.	5436747-070	1	Pod, Headlight, Lower, Black	
18.	7670127	1	Clip	
19.	5631516	1	Block, Handlebar	
20.	7080138	5	Cable Tie	
21.	4011074	1	Switch, Worklight, On/Off	

*

*

IGNITION SWITCH/CHOKE

Applies to A07CL50MA [49ATVIGNITION076X6MV]

© 2006 Polaris Sales Inc.



IGNITION SWITCH/CHOKE

Applies to A07CL50MA [49ATVIGNITION076X6MV]

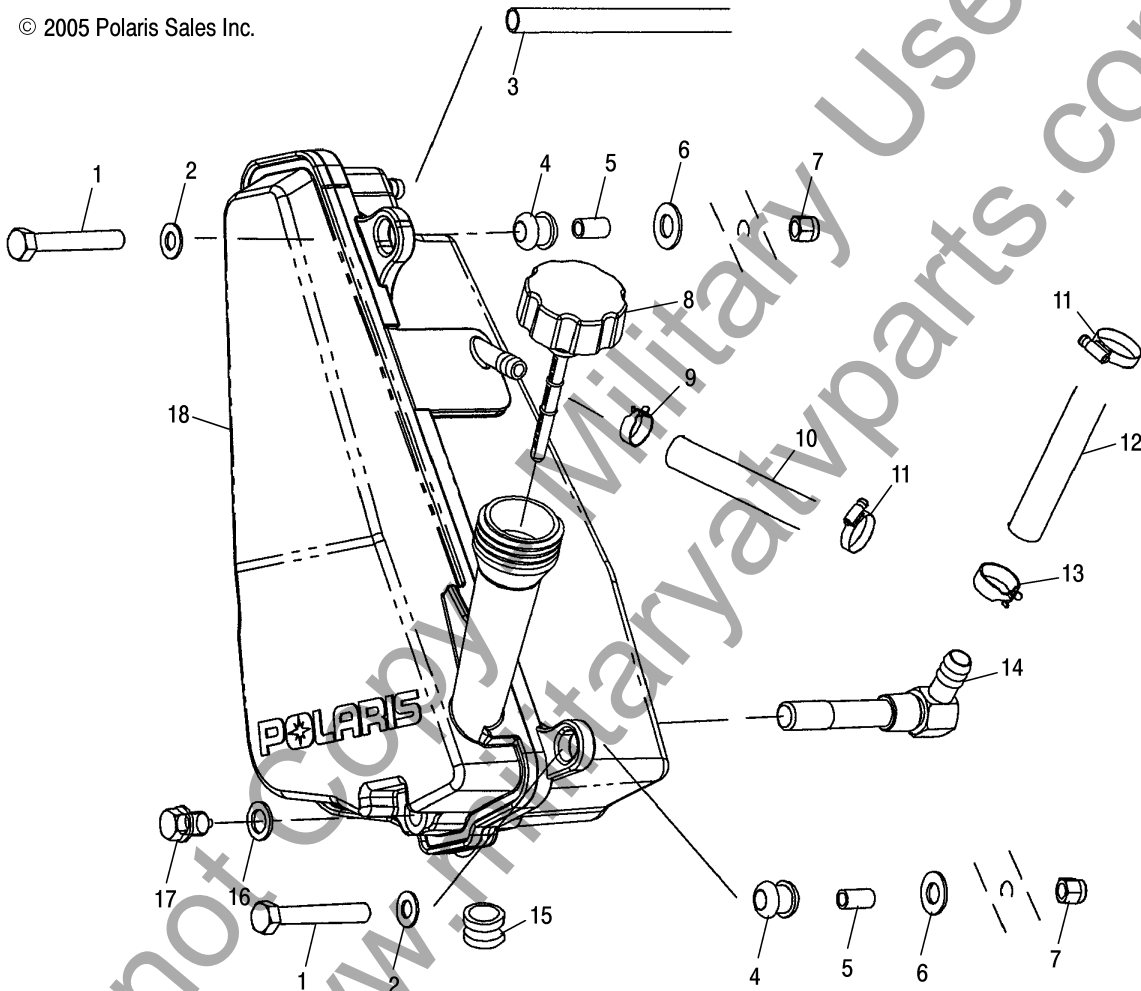
Ref.	Part No.	Qty	Part Description	Notes
1.	7081171	1	Cable, Choke	
2.	4010638	1	Receptacle, Pod Mount, 12V	
3.	4010820	1	Asm., Switch, Ignition, Keyless	[Incl. 4,5]
4.	4010822	1	Lever, Ignition Switch	
5.	7517560	1	Screw	
6.	7080922	1	Nut, Choke	
7.	5433733	1	Nut, Ignition	

* Do not Copy - Military Use Only *
www.militaryatvparts.com

OIL TANK

Applies to A07CL50MA [4999201649920164A12]

© 2005 Polaris Sales Inc.



OIL TANK

Applies to A07CL50MA [4999201649920164A12]

Ref.	Part No.	Qty	Part Description	Notes
1.	7515189	2	Screw	
2.	7558301	2	Washer, Flat	
3.	5412191	1	Line, Breather	
4.	5410828	2	Grommet	
5.	5333204	2	Bushing, Mounting	
6.	7555932	2	Washer, Nylon	
7.	7542122	2	Nut, Nylok	
8.	5434308	1	Dipstick, Oil Tank	
9.	7080699	1	Clamp, Hose	
10.	8450073-600	AR	Line	
11.	7080474	2	Clamp, Hose	
12.	8450096-100	AR	Line, Fuel	
13.	7081026	1	Clamp, Hose, Spring	
14.	7052326	1	Screen, Oil Filter, 90 Degree	
15.	5412507	1	Grommet	
16.	5850135	1	Washer	
17.	7051524	1	Plug	
18.	1261653	1	Tank, Oil	

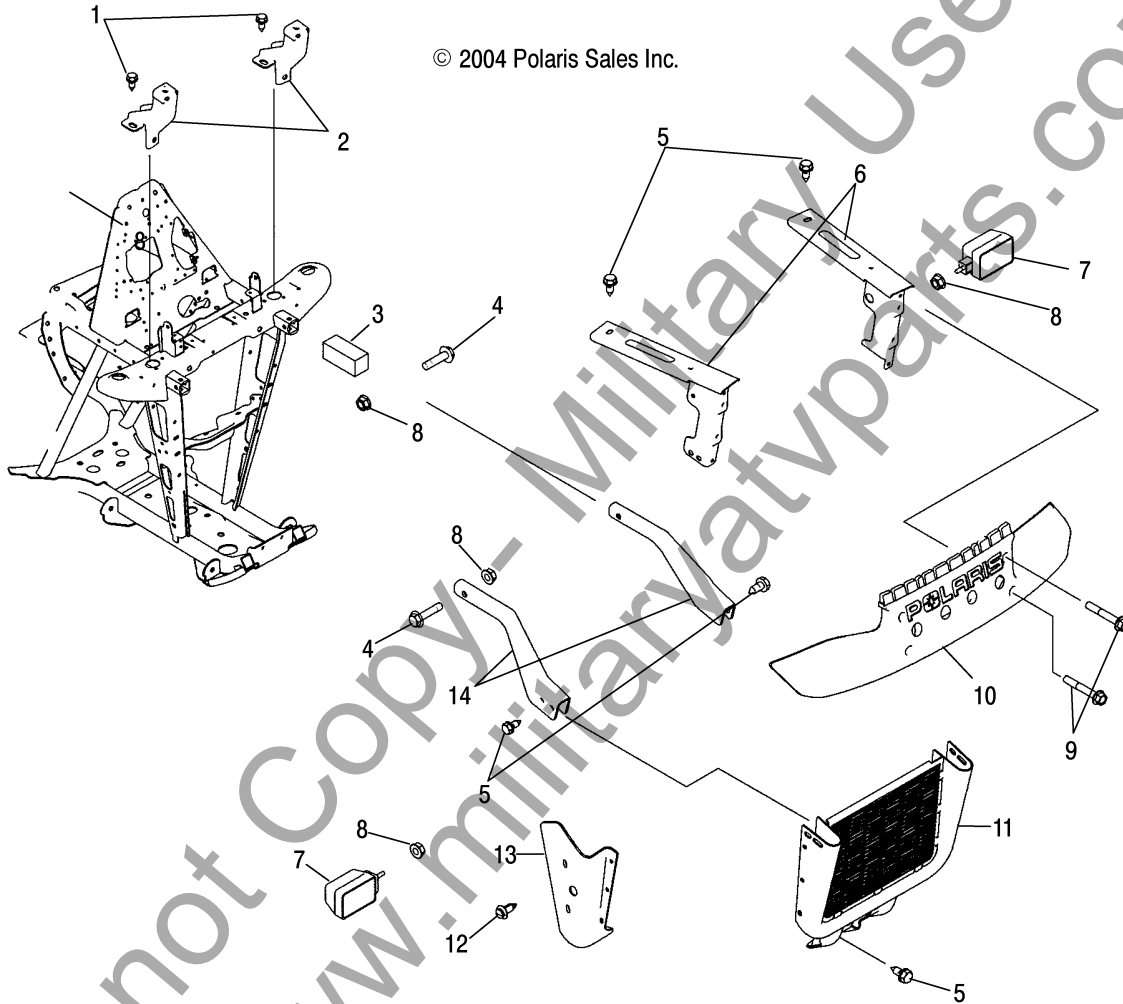
*

Do not Copy - Military Use Only
www.militaryatvparts.com

*

RACK, FRONT and BUMPER MOUNTING

Applies to A07CL50MA [4995169516A11]



RACK, FRONT and BUMPER MOUNTING

Applies to A07CL50MA [4995169516A11]

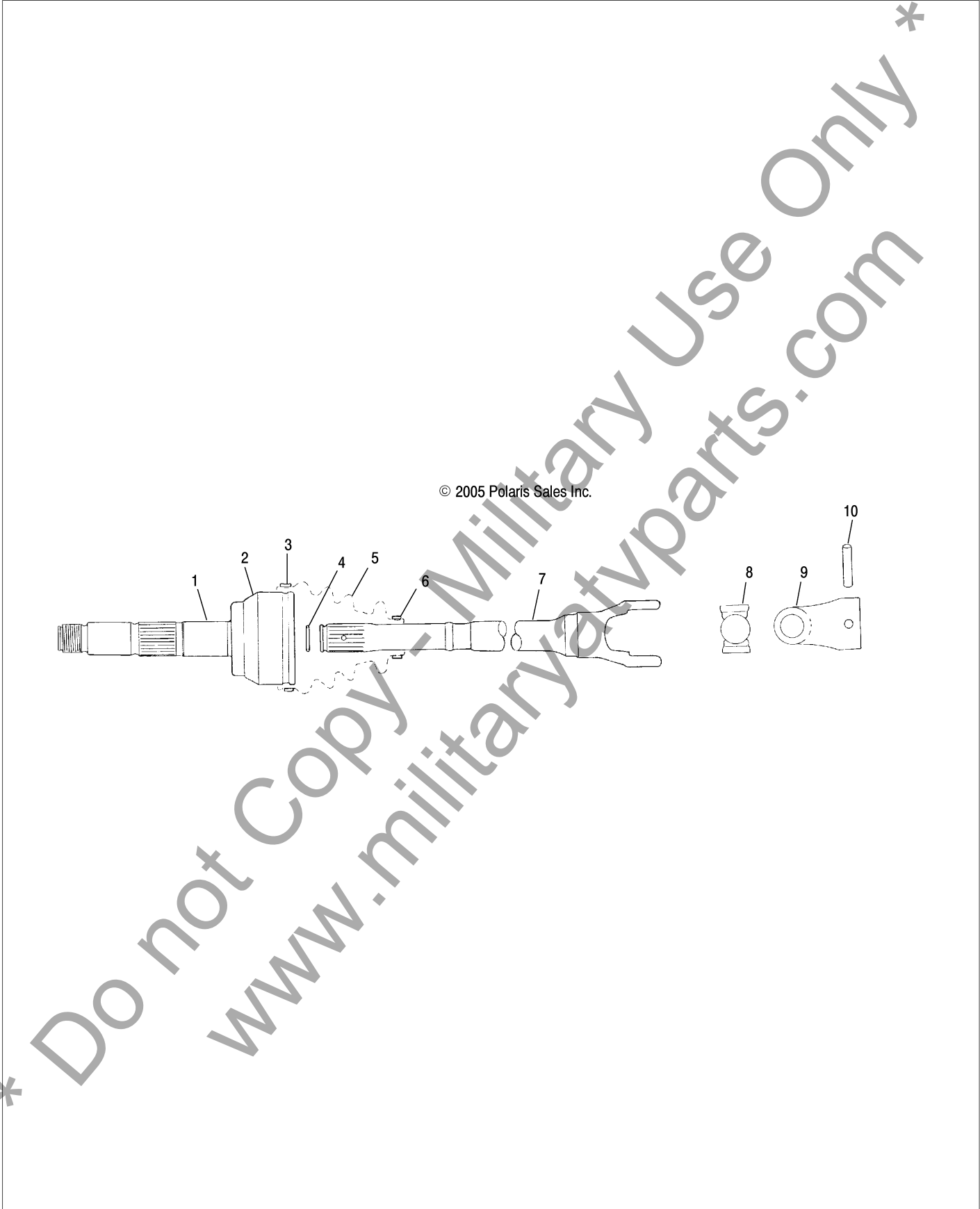
Ref.	Part No.	Qty	Part Description	Notes
1.	7512232	6	Bolt	
2.	1013744-067	1	Support, Front Rack, Black, LH	
2.	1013746-067	1	Support, Front Rack, Black, RH	
3.	5810467	1	Plug, Frame	
4.	7518341	2	Bolt, Flange	
5.	7515399	6	Screw	
6.	1014099-067	1	Mount, Rack, Black, LH	
6.	1014101-067	1	Mount, Rack, Black, RH	
7.	2431014	1	Asm., Headlight, Side Mount, 27W, LH	
7.	2431015	1	Asm., Headlight, Side Mount, 27W, RH	
7.	4030059	2	Bulb, 27W	
8.	7542343	4	Nut, Flange	
9.	7517977	4	Bolt	
10.	5432155-070	1	Bumper, Black	
11.	1013772-067	1	Guard, Brush, Black	
12.	7661855	6	Rivet	
13.	5433923	1	Shield, Radiator Side, LH	
13.	5433924	1	Shield, Radiator Side, RH	
14.	5244729-067	1	Extension, Frame, Black, LH	
14.	5244730-067	1	Extension, Frame, Black, RH	

*

*

SHAFT, DRIVE

Applies to A07CL50MA [4999201649920164A14]



SHAFT, DRIVE

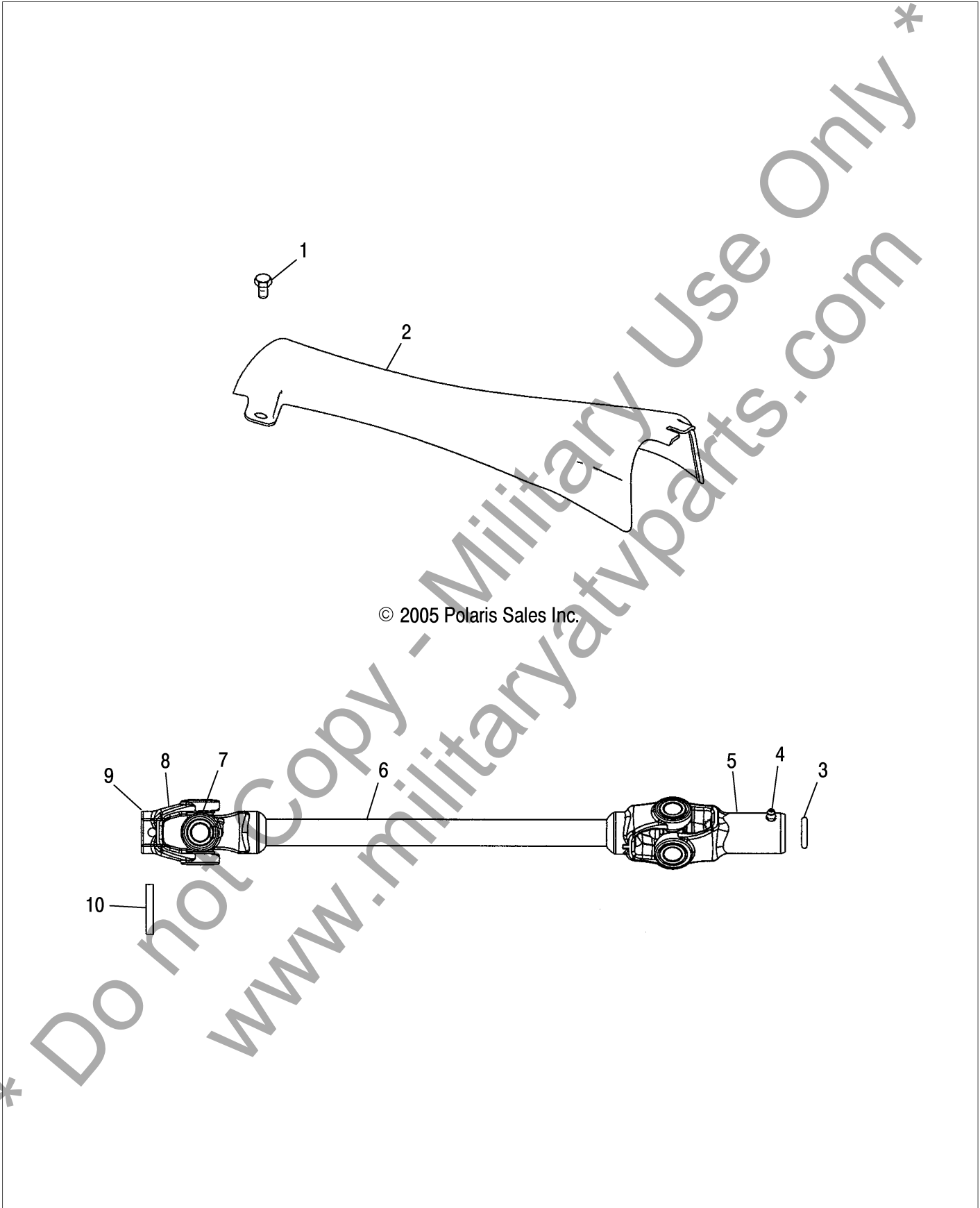
Applies to A07CL50MA [4999201649920164A14]

Ref.	Part No.	Qty	Part Description	Notes
1.	1380215	1	Asm., Drive Shaft, Front	
2.	1380118	1	Asm., CV Housing w/Sleeve	
3.	3260121	1	Clamp, Band	
4.	7670092	1	Circlip	
5.	2201015	1	Kit, Replacement Boot	
6.	3260123	1	Clamp, Band	
7.	1380223	1	Shaft, Drive	[Incl. 4]
8.	2202015	1	Kit, Cross and Bearing	
9.	3260133	1	Yoke	
10.	7661913	2	Pin, Spring	

* Do not Copy - Military Use Only *
www.militaryatvparts.com

SHAFT, PROP

Applies to A07CL50MA [4999201649920164A13]



SHAFT, PROP

Applies to A07CL50MA [4999201649920164A13]

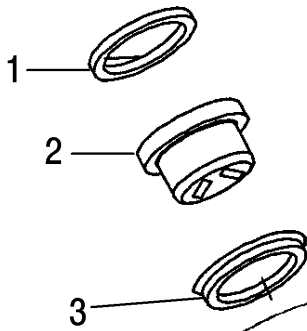
Ref.	Part No.	Qty	Part Description	Notes
1.	7517386	2	Screw	
2.	5433154	1	Guard, Prop Shaft, Front	
3.	5411092	1	O-Ring	
4.	7080424	1	Fitting, Lubrication	
5.	3260131	1	Yoke	
6.	1380217	1	Shaft, Prop	
7.	2202015	2	Kit, Cross and Bearing	
8.	3260133	1	Yoke	
9.	1380217	1	Asm., Prop Shaft, Front	[Incl. 5-8]
10.	7661913	1	Pin, Spring	

*

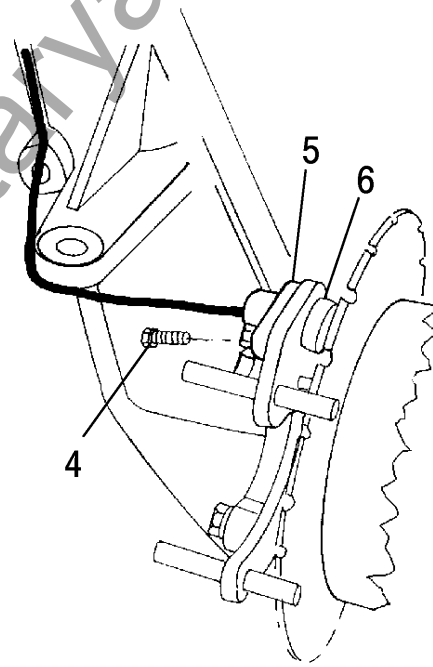
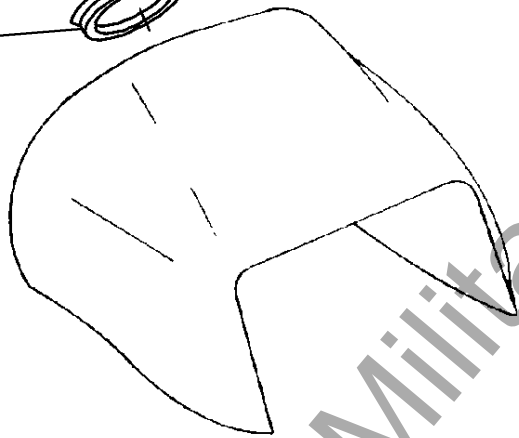
* Do not Copy - Military Use Only *
www.militaryatvparts.com

SPEEDOMETER

Applies to A07CL50MA [4999201649920164D03]



© 2005 Polaris Sales Inc.



SPEEDOMETER

Applies to A07CL50MA [4999201649920164D03]

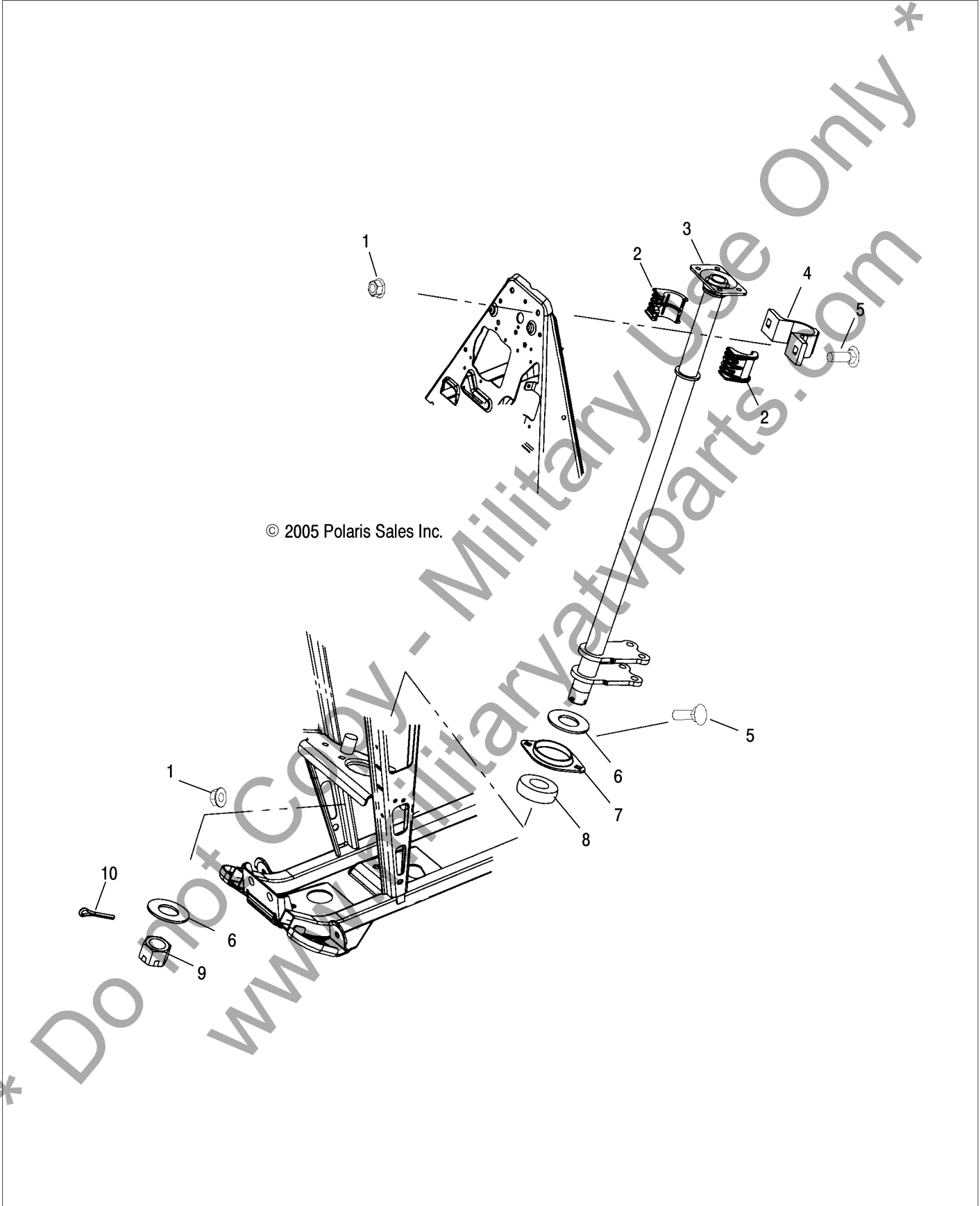
Ref.	Part No.	Qty	Part Description	Notes
1.	5434380	1	Bezel	
2.	3280431	1	Asm., Cluster, Instrument	
3.	5412138	1	Mount, Rubber	
4.	7517658	1	Screw	
5.	4010298	1	Sensor	
6.	5132382	1	Cap, Sensor	

* Do not Copy - Military Use Only *

www.militaryatvparts.com

STEERING POST

Applies to A07CL50MA [4999201649920164B06]



STEERING POST

Applies to A07CL50MA [4999201649920164B06]

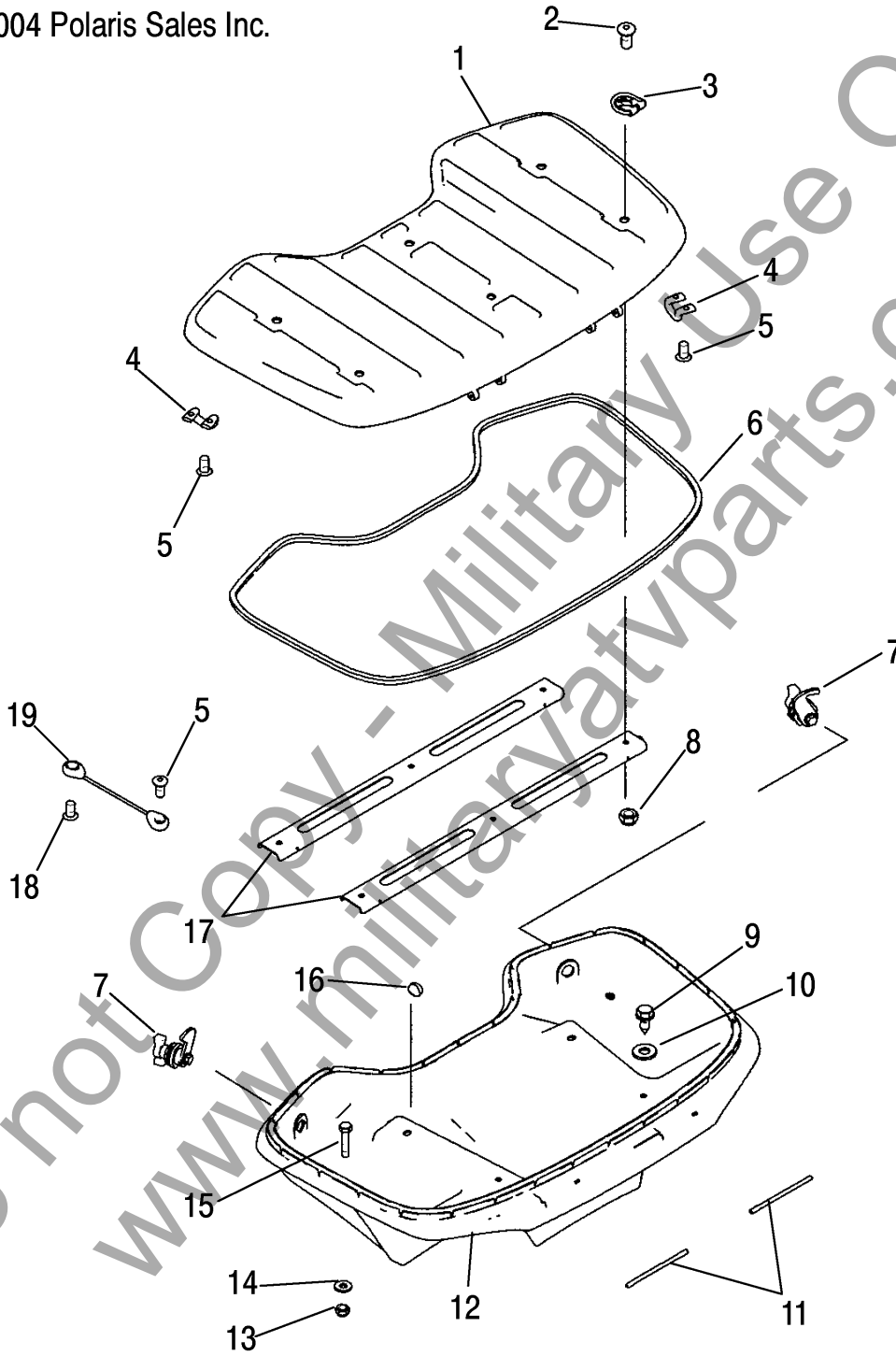
Ref.	Part No.	Qty	Part Description	Notes
1.	7542343	4	Nut, Flange	
2.	5433866	2	Bushing, Upper	
3.	1822630-067	1	Post, Steering, Black	
4.	5246732	1	Bracket, Upper Bushing	
5.	7517428	4	Bolt	
6.	7556162	2	Bushing	
7.	5222393	1	Flangette	
8.	3514352	1	Bearing	
9.	7547158	1	Nut, Slotted, Hex	
10.	7661633	1	Pin, Cotter	

* Do not Copy - Military Use Only *
www.militaryatvparts.com

STORAGE, FRONT

Applies to A07CL50MA [4995169516A12]

© 2004 Polaris Sales Inc.



STORAGE, FRONT**Applies to A07CL50MA [4995169516A12]**

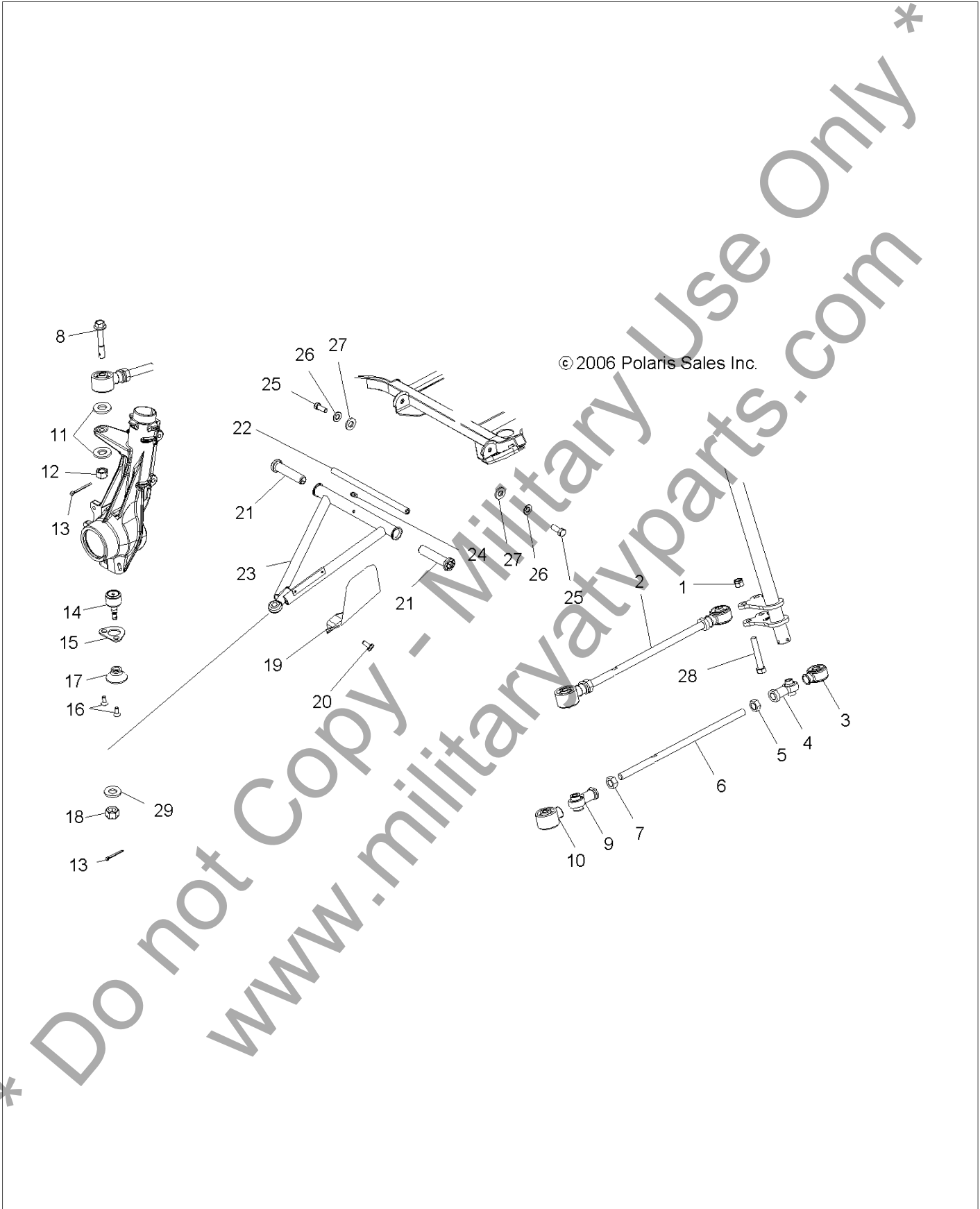
Ref.	Part No.	Qty	Part Description	Notes
1.	1253528	1	Asm., Front Cover	[Incl. 2-5,8,17]
2.	7518216	6	Screw	
3.	7081101	6	Ring, Tie Down	
4.	5334257	2	Latch, Wire	
5.	7512076	6	Screw	
6.	5521641	1	Seal, Front Compartment	
7.	7081241	1	Latch, 1/4 Turn, LH	
7.	7081242	1	Latch, 1/4 Turn, RH	
8.	7542324	6	Nut, Nylok	
9.	7515399	4	Screw	
10.	7555958	4	Washer, Flat	
11.	5133825	2	Pin, Hinge, Front	
12.	5434790-070	1	Base, Front Box, Black	
13.	7541925	2	Nut, Nylok	
14.	7555792	2	Washer	
15.	7512007	2	Bolt	
16.	5412352	3	Plug, Compartment	
17.	5246928	2	Channel, Lid	
18.	7512024	2	Screw	
19.	7081124	2	Cable, Lid, Front	

*

*

SUSPENSION, FRONT

Applies to A07CL50MA [49ATVAARM6X6]



SUSPENSION, FRONT

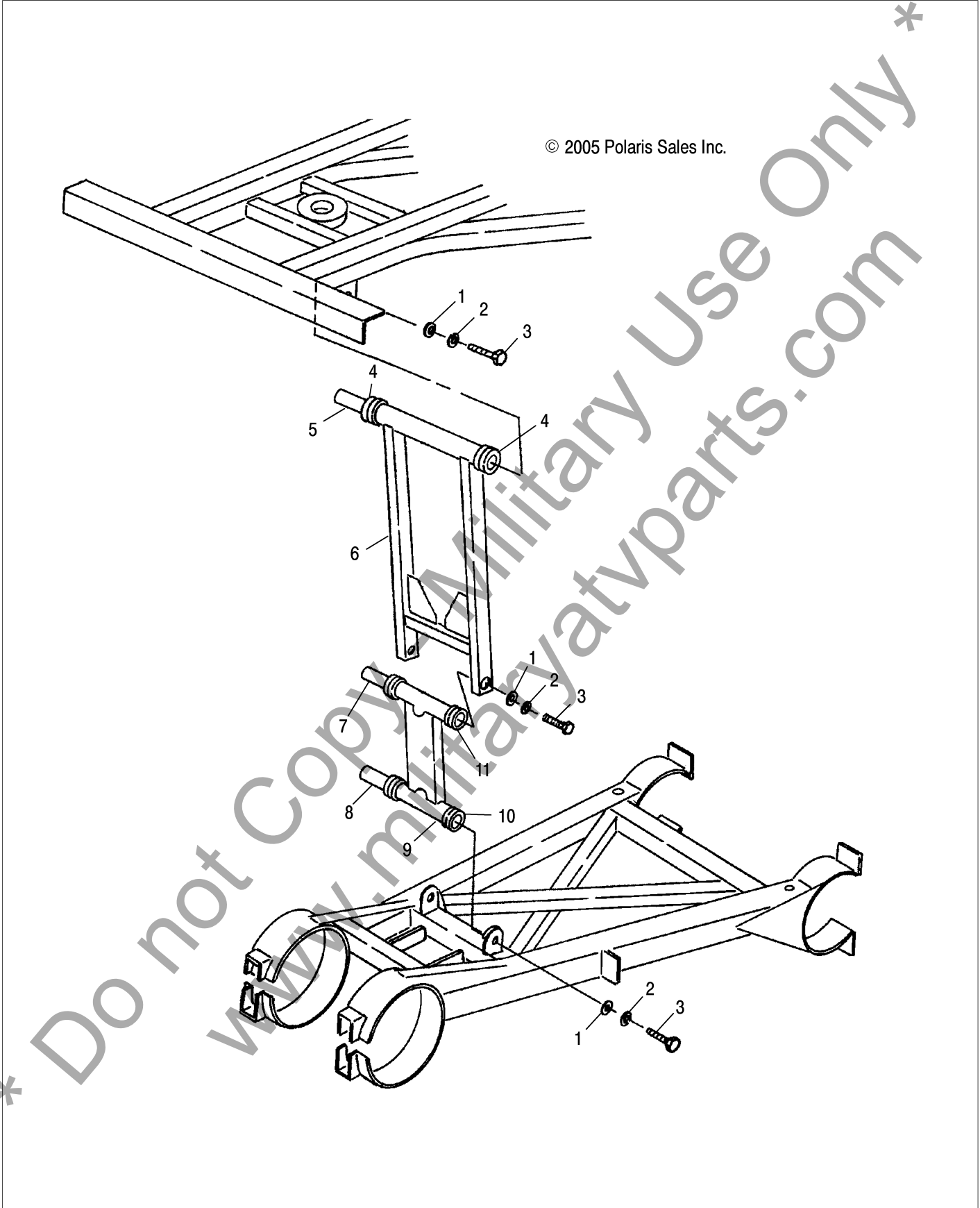
Applies to A07CL50MA [49ATVAARM6X6]

Ref.	Part No.	Qty	Part Description	Notes
1.	7542439	2	Nut, Nylok	
2.	1822852	2	Asm., Tie Rod	
3.	5412928	2	Boot, Seal, Rod End	
4.	7061139	2	Rod End, RH	
5.	7542711	2	Nut, Jam	
6.	5020926	2	Tie Rod	
7.	7547028	2	Nut, Jam, LH	
8.	7517909	2	Bolt	
9.	7061138	2	Rod End, LH	
10.	5412929	1	Boot, Seal, Rod End	
11.	7556099	4	Washer	
12.	7547177	2	Nut	
13.	7661203	4	Pin, Cotter	
14.	7061130	2	Joint, Ball, Greaseless	
15.	5211121	2	Bracket, Ball Joint	
16.	7512284	4	Bolt, Socket	
17.	5412658	2	Boot, Balljoint, Greaseless	
18.	7542438	2	Nut, Castle	
19.	5431150-070	1	Shield, CV Joint, Black, LH	
19.	5431149-070	1	Shield, CV Joint, Black, RH	
20.	7512084	4	Screw	
21.	5434551	4	Bushing, A-Arm, Long, Black	
22.	5133806	2	Shaft, A-Arm	
23.	2202282	1	Kit, A-Frame, LH	[Incl. 13,21,22,25]
23.	2202283	1	Kit, A-Frame, RH	[Incl. 13,21,22,25]
24.	7080433	2	Fitting, Lubrication	
25.	7512492	4	Screw	
26.	7552603	4	Washer, Spring Lock	
27.	7555832	4	Washer	
28.	7515415	2	Screw	
29.	7555957	2	Washer	

SUSPENSION, STRUT STABILIZER, REAR

Applies to A07CL50MA [4999201649920164C01]

© 2005 Polaris Sales Inc.



SUSPENSION, STRUT STABILIZER, REAR

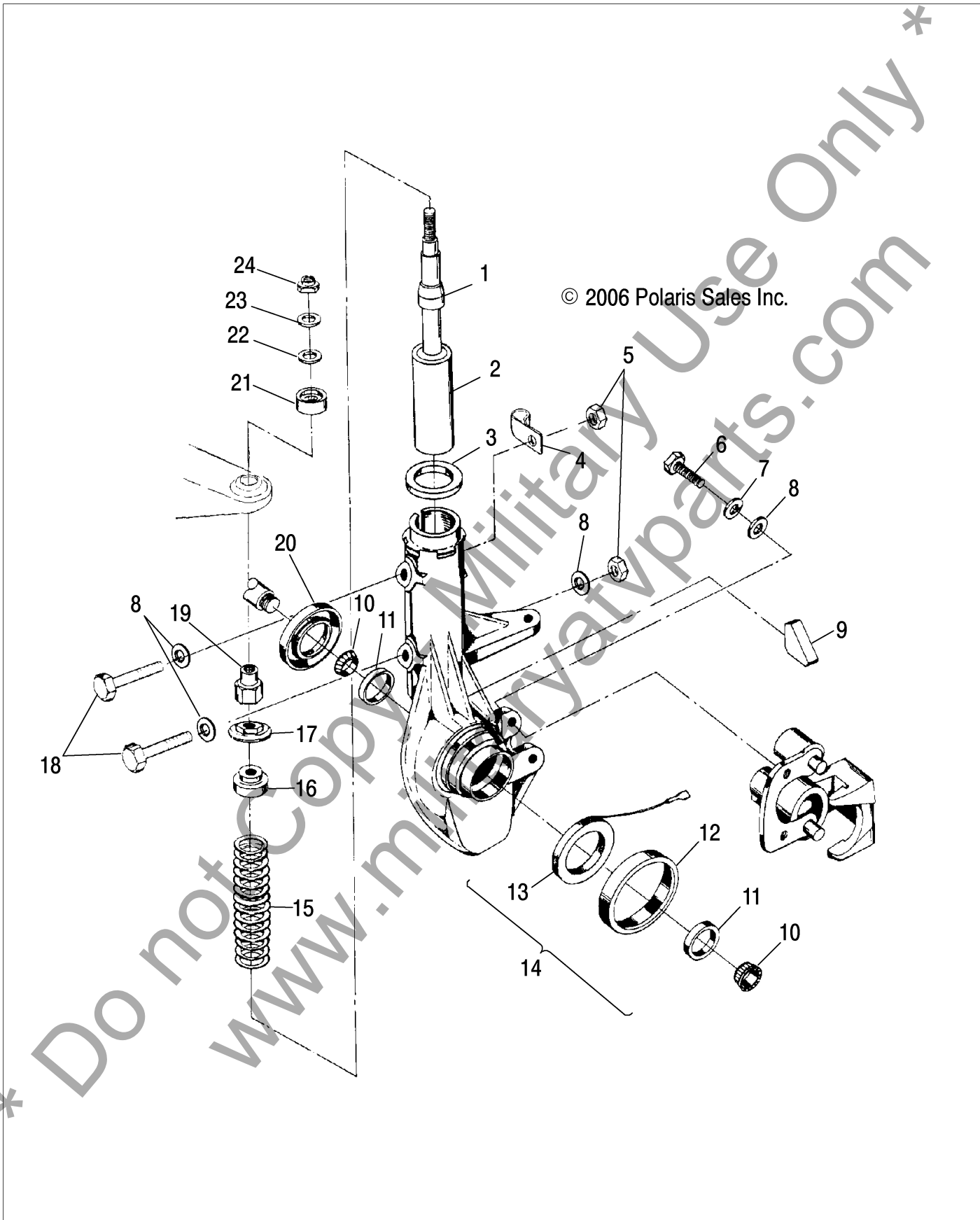
Applies to A07CL50MA [4999201649920164C01]

Ref.	Part No.	Qty	Part Description	Notes
1.	7555832	6	Washer	
2.	7552603	6	Washer, Spring Lock	
3.	7512492	6	Screw	
4.	5434551	2	Bushing, A-Arm, Long, Black	
5.	5020764	1	Shaft, Upper, Stabilizer	
6.	1541853-067	1	Stabilizer, Upper, Black	
7.	5020765	1	Shaft, Stabilizer	
8.	5020766	1	Shaft, Stabilizer, Lower	
9.	1541852-067	1	Stabilizer, Lower, Black	
10.	5434548	2	Bushing, A-Arm, Short, Black	
11.	5434553	2	Bushing, Stabilizer, Long, Black	

* Do not Copy - Military Use Only *
www.militaryatvparts.com

SUSPENSION, STRUT, FRONT

Applies to A07CL50MA [49ATVSTRUT6X6]



SUSPENSION, STRUT, FRONT**Applies to A07CL50MA [49ATVSTRUT6X6]**

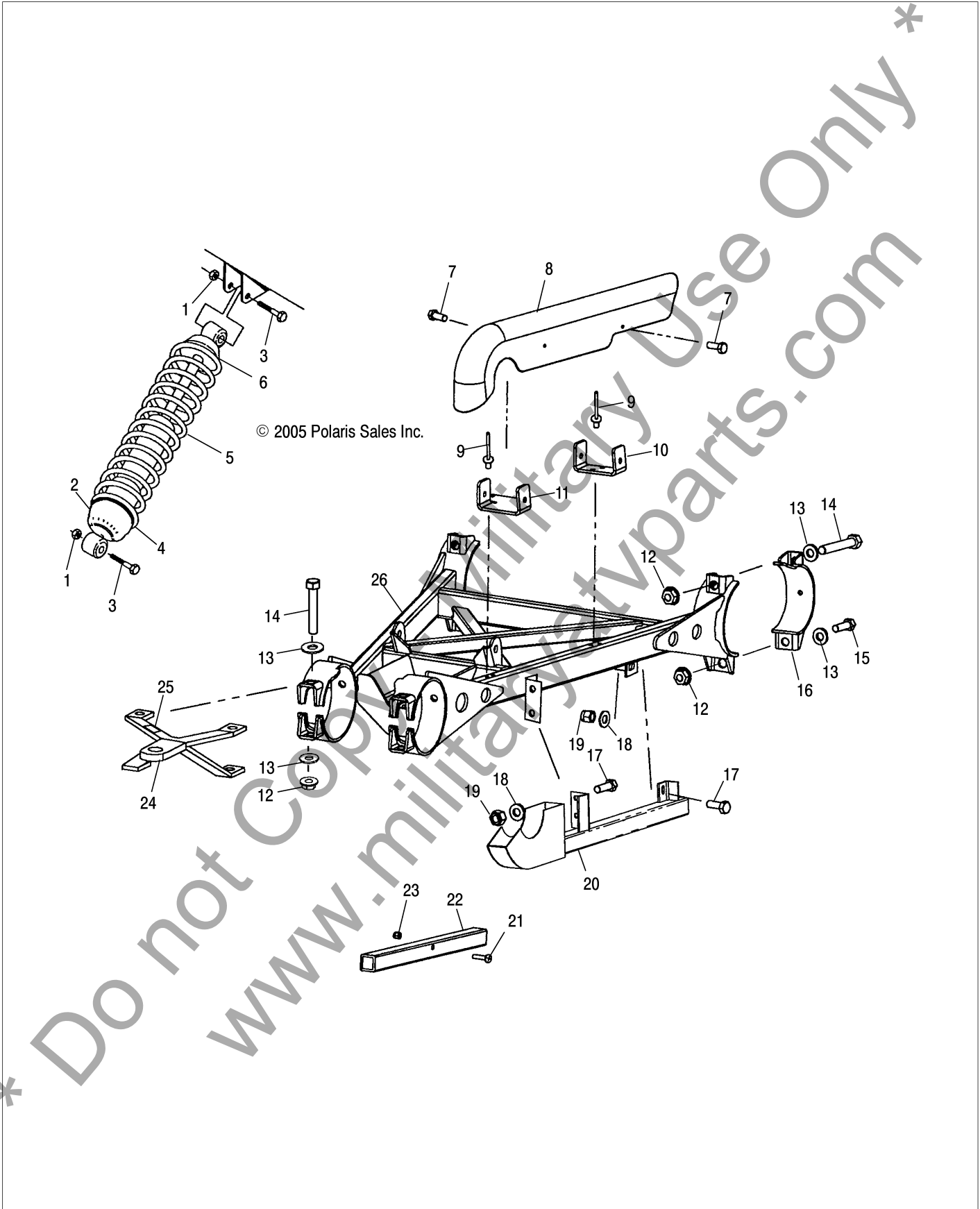
Ref.	Part No.	Qty	Part Description	Notes
1.	5412665	2	Bumper	
2.	7041761	2	Strut, Front	
3.	5211115	2	Washer	
4.	7080367	2	Clamp, Cable	
5.	7542324	4	Nut, Nylok	
6.	7512365	4	Screw, Cap	
7.	7552901	4	Washer, Spring Lock	
8.	7558402	10	Washer, Flat	
9.	5810439	2	Retainer, Casting Wire, Strut	
10.	3554509	4	Bearing, Tapered Roller	
11.	3554507	4	Bearing, Tapered Roller Cup	
12.	5222193	2	Sleeve, Hubstrut Seal	
13.	2410133	2	Coil, Magnetic	
14.	1822821	1	Asm., Hubstrut, LH	[42mm][Incl. 9,11-13,20]
14.	1822822	1	Asm., Hubstrut, RH	[42mm][Incl. 9,11-13,20]
15.	7041450-067	2	Spring, Coil, Black	
16.	5243364	2	Retainer, Spring	
17.	5432871	2	Ball, Pivot, Bottom	
18.	7515339	4	Bolt	
19.	5132062	2	Spacer	
20.	3610028	2	Seal, Hubstrut	
21.	5432872	2	Ball, Pivot, Top	
22.	5810291	2	Spacer, Rubber	
23.	7555749	2	Washer	
24.	7547104	2	Nut	

*

*

SWING ARM, REAR

Applies to A07CL50MA [4999201649920164C02]



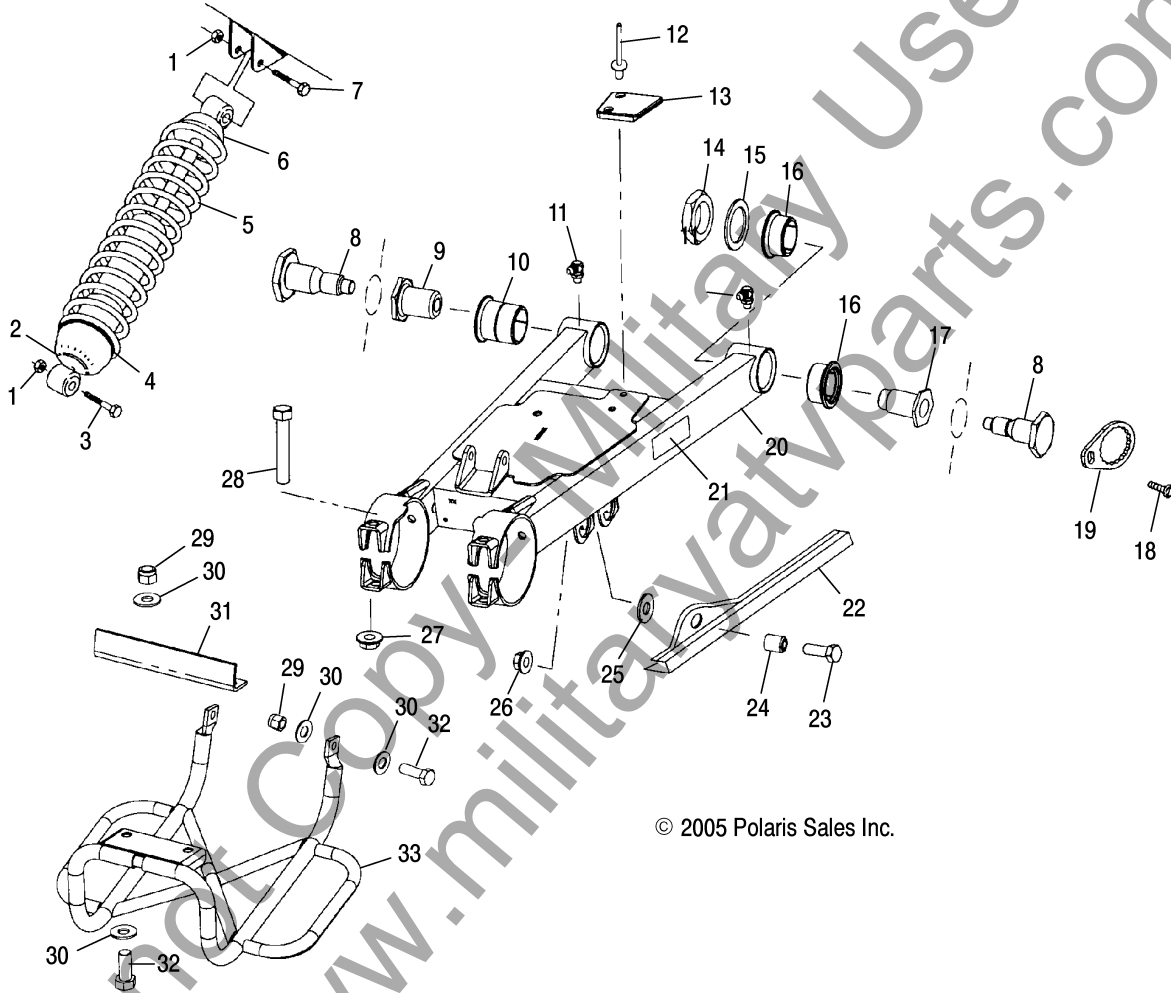
SWING ARM, REAR**Applies to A07CL50MA [4999201649920164C02]**

Ref.	Part No.	Qty	Part Description	Notes
1.	7542439	2	Nut, Nylok	
2.	7041963	1	Shock, Rear	
3.	7515415	2	Screw	
4.	7556142	1	Washer	
5.	7041880-067	1	Spring, Compression, Black	
6.	5241147	1	Retainer, Short	
7.	7517386	4	Screw	
8.	5433539	1	Cover, Chain, Rear	
9.	7661637	4	Rivet	
10.	5244077-067	1	Mount, Chain Cover, Front, Black	
11.	5244078-067	1	Mount, Chain Cover, Rear, Black	
12.	7542522	6	Nut, Flange	
13.	7555883	8	Washer	
14.	7512576	4	Bolt	
15.	7512520	2	Bolt	
16.	1580067-067	2	Bracket, Swing Arm, Black	
17.	7515321	3	Bolt	
18.	7558402	6	Washer, Flat	
19.	7542324	3	Nut, Nylok	
20.	1013327-067	1	Guard, Chain, Lower, Black	
21.	7515117	1	Screw	
22.	5521279	1	Guide, Chain, Rear	
23.	7541925	1	Nut, Nylok	
24.	2200472	1	Kit, Hitch	[Incl. 12-14]
25.	7170509	1	Decal, Hitch	
26.	1541344-067	1	Extension, Swing Arm, Black	

*

SWING ARM/SHOCK MOUNTING

Applies to A07CL50MA [4999201649920164B13]



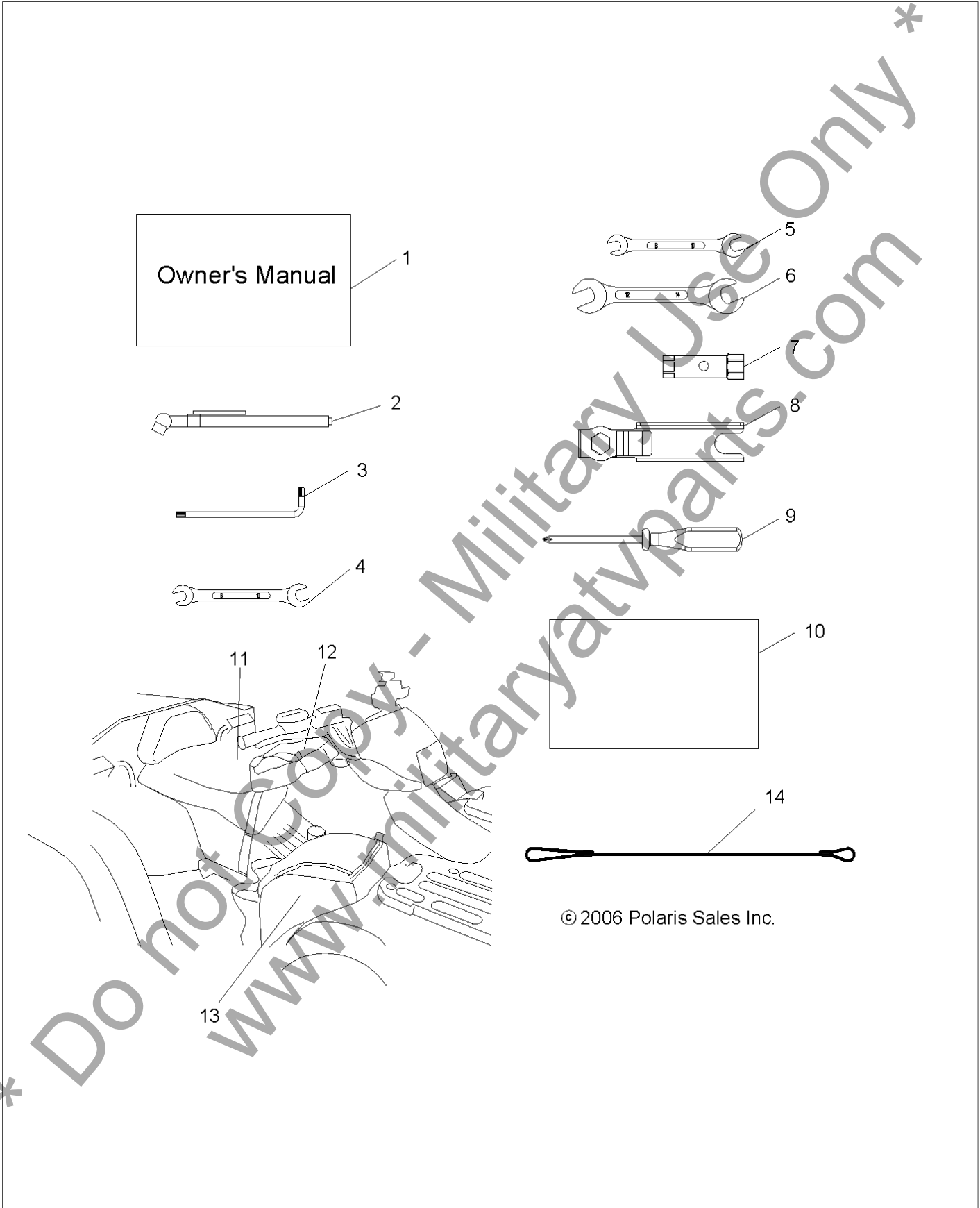
© 2005 Polaris Sales Inc.

SWING ARM/SHOCK MOUNTING**Applies to A07CL50MA [4999201649920164B13]**

Ref.	Part No.	Qty	Part Description	Notes
1.	7542439	2	Nut, Nylok	
2.	7041962	1	Shock, Mid Axle	
3.	7515438	1	Bolt	
4.	7556142	1	Washer	
5.	7041987-067	1	Spring, Compression, Black	
6.	5241147	1	Retainer, Shock	
7.	7515415	1	Screw	
8.	5134321	2	Bolt, Pivot	
9.	5133166	1	Bushing, LH	
10.	5434545	1	Bushing, Black, LH	
11.	7080510	2	Fitting, Zerk	
12.	7661046	2	Rivet	
13.	5432727	1	Guide, Chain Pad	
14.	7547082	1	Nut, Hex, Jam	
15.	7556035	1	Washer, Flat	
16.	5434546	2	Bushing, Black, RH	
17.	5133167	1	Bushing, Pivot, RH	
18.	7515399	2	Screw	
19.	5247488	2	Bracket, Bolt Lock	
20.	1541583	1	Asm., Swing Arm	[Incl. 10,11,16]
21.	7078572	1	Decal, "Chain Free Play"	
22.	5432854	1	Guard, Chain	
23.	7515304	1	Screw, Flange	
24.	5332828	1	Bushing	
25.	7558402	1	Washer, Flat	
26.	7542343	1	Nut, Flange	
27.	7542522	2	Nut, Flange	
28.	7512576	2	Bolt	
29.	7542324	4	Nut, Nylok	
30.	7558402	8	Washer, Flat	
31.	5222221-067	1	Mount, Rock Guard, Bracket, Black	
32.	7512325	4	Bolt	
33.	1013328-067	1	Guard, Swing Arm, Black	

TOOL KIT

Applies to A07CL50MA [49ATVTOOL076X6MV]



© 2006 Polaris Sales Inc.

TOOL KIT

Applies to A07CL50MA [49ATVTOOL076X6MV]

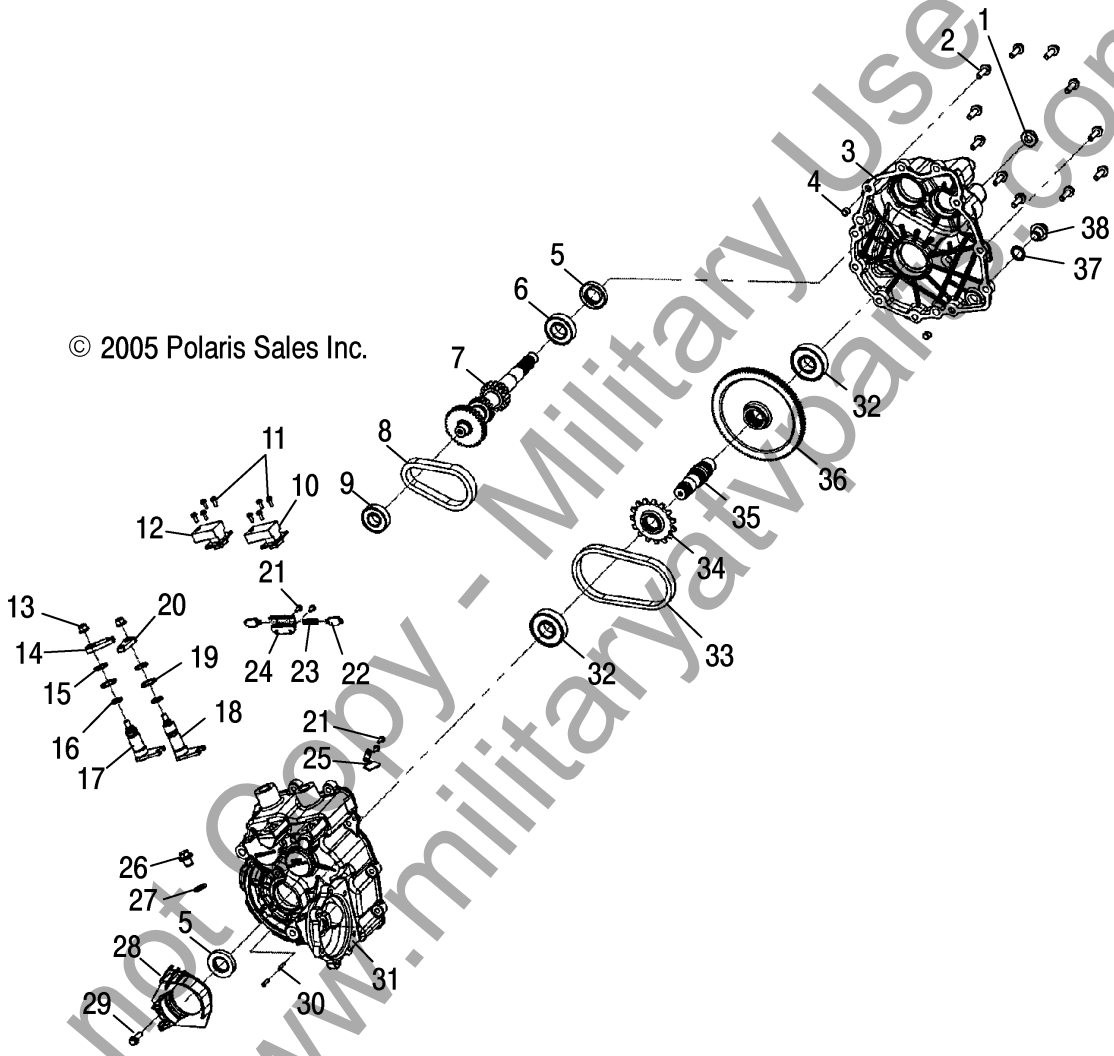
Ref.	Part No.	Qty	Part Description	Notes
1.	9920775	1	Manual, Owner's, '07 Sportsman 6X6	
2.	2870725	1	Gauge, Tire Pressure	
3.	2874858	1	Wrench, Torx	
4.	2874743	1	Wrench, 1/2 x 9/16	
5.	-----	1	WRENCH, OPEN, 8-10MM	
6.	2875090	1	Wrench, Open, 12-14mm	
7.	-----	1	WRENCH, BOX 125MM	
8.	-----	1	HANDLE, WRENCH	[SPARK PLUG PULLER]
9.	-----	1	SCREWDRIVER	
10.	2682572	1	Pouch, Tool Kit	
11.	2202868	1	Cover, Seat	
12.	2202860	1	Bag, Gas Tank	
13.	2203316	2	Bag, Fender	
13.	2383670	1	Cover, Storage	
14.	1015007	1	Asm., Steering Lock Cable	
.	2874925	1	Asm., Tool Kit	[Incl. 5-10]

*

* Do not Copy - Military Use Only *
www.militaryatvparts.com

TRANSMISSION

Applies to A07CL50MA [4999201649920164C13]



© 2005 Polaris Sales Inc.

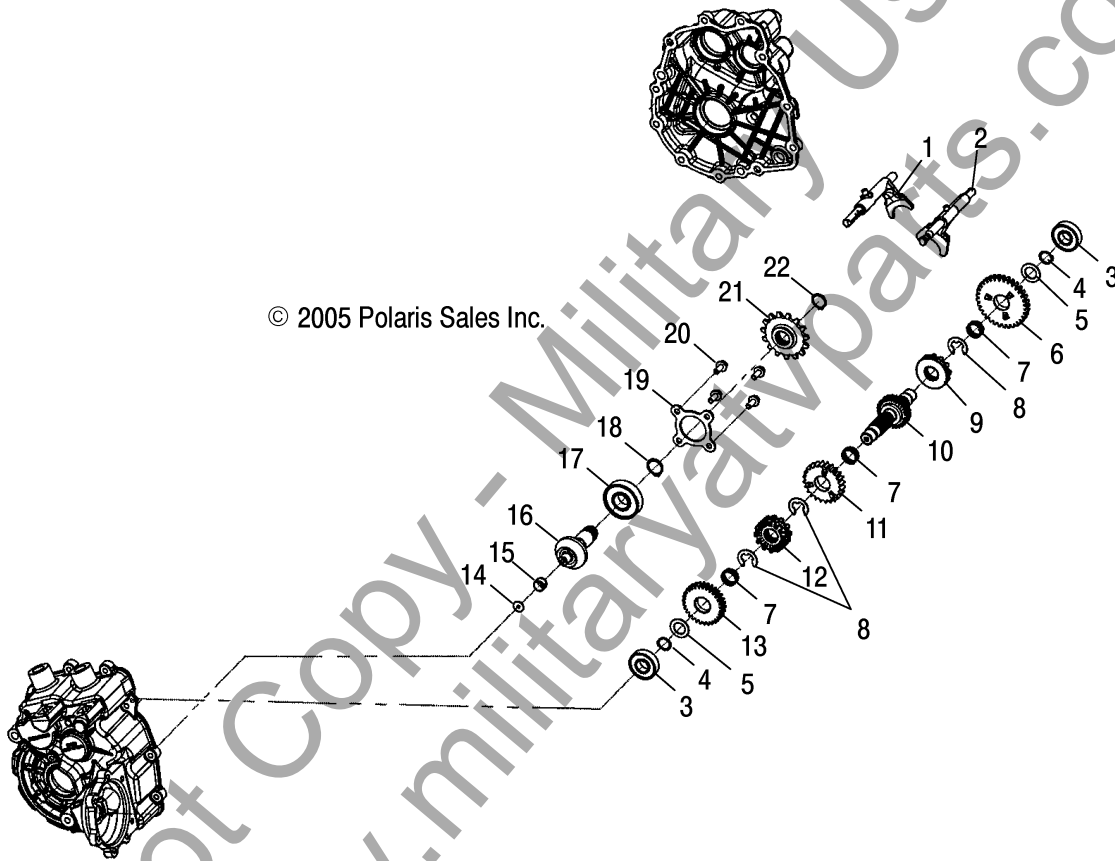
TRANSMISSION

Applies to A07CL50MA [4999201649920164C13]

Ref.	Part No.	Qty	Part Description	Notes
1.	3233527	1	Bushing, Pivot	
2.	3233252	11	Screw	
3.	3233632	1	Gearcase, LH	
4.	3233529	2	Pipe, Knock	
5.	3233788	2	Seal, Triple Lip	
6.	3233019	1	Bearing	
7.	3233704	1	Shaft, Input	
8.	3233036	1	Chain, Silent	
9.	3233018	1	Bearing	
10.	3234002	1	Switch, 3 Position	
11.	3233749	8	Screw	
12.	3234001	1	Switch, 2 Position	
13.	3233961	2	Nut, Flange Lock	
14.	3233547	1	Bellcrank	
15.	3233045	2	Ring, Retaining	
16.	3233548	2	O-Ring	
17.	3233549	1	Shaft, Shift	
18.	3233737	1	Shaft, Shift, High/Reverse	
19.	3233040	2	Washer	
20.	3233153	1	Bellcrank	
21.	3233747	4	Screw, Tapping w/Lock Washer	
22.	3233308	2	Pin, Interlock	
23.	3233032	1	Spring	
24.	3233309	1	Bracket, Interlock	
25.	3233043	1	Deflector, Oil	
26.	3233711	1	Plug, Oil Fill	
27.	3233872	1	Washer, Nylon	
28.	3233897	1	Guide, Chain	
29.	3233026	1	Screw	
30.	3233037	1	Vent	
31.	3233895	1	Gearcase, RH	
32.	3233020	2	Bearing	
33.	3233546	1	Chain, Roller	
34.	3233729	1	Sprocket, 15/26T	
35.	3233544	1	Shaft, Output	
36.	3233360	1	Gear, 100T	
37.	3233035	1	Washer	
38.	3233448	1	Plug	
.	1341428	1	Asm., Gearcase	[Incl. All]

TRANSMISSION, INTERNAL

Applies to A07CL50MA [4999201649920164C14]



TRANSMISSION, INTERNAL

Applies to A07CL50MA [4999201649920164C14]

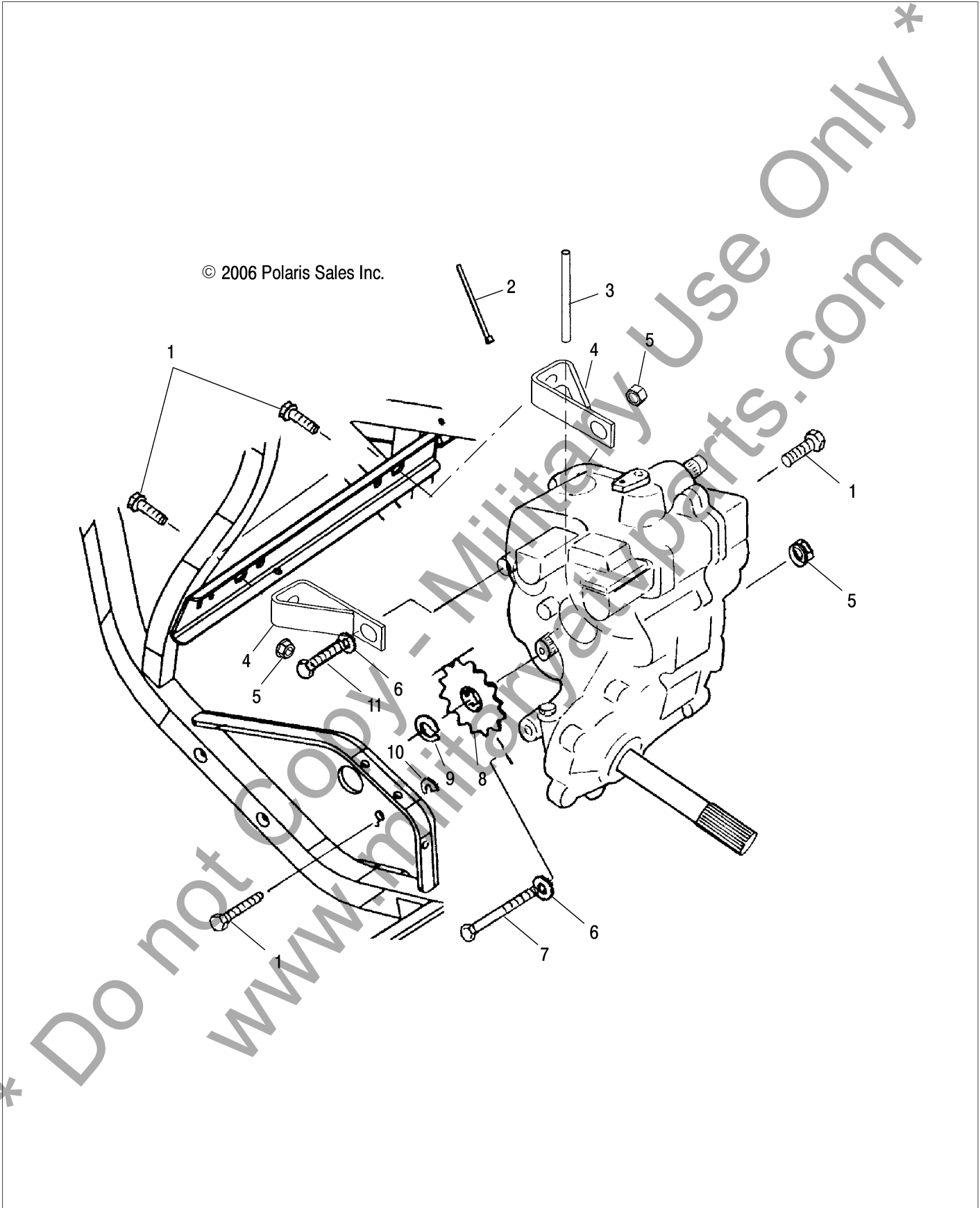
Ref.	Part No.	Qty	Part Description	Notes
1.	3233706	1	Fork, Shift, Low	
2.	3233633	1	Fork, Shift, High/Reverse	
3.	3233018	2	Bearing	
4.	3233177	2	Ring, Retaining	
5.	3233176	2	Washer	
6.	3233731	1	Gear, 33T	
7.	3233718	3	Bearing, Needle	
8.	3233720	3	Ring, Retaining	
9.	3233732	1	Dog, Engagement, Low	
10.	3233733	1	Shaft, Reverse, 29T	
11.	3233719	1	Sprocket, 24T	
12.	3233721	1	Dog, Engagement, High/Reverse	
13.	3233722	1	Gear, 30T	
14.	3233542	1	Washer, Thrust	
15.	3233541	1	Bushing	
16.	3233540	1	Shaft, Pinion	
17.	3233020	1	Bearing	
18.	3233306	1	Ring, Retaining	
19.	3233263	1	Cover, Bearing	
20.	3233539	4	Screw	
21.	3233730	1	Sprocket, 15/22T	
22.	3233537	1	Ring, Retaining	
.	1341428	1	Asm., Gearcase	[Incl. All]

*

*

TRANSMISSION, MOUNTING

Applies to A07CL50MA [49ATVGEARCASEMTG6X6]



TRANSMISSION, MOUNTING

Applies to A07CL50MA [49ATVGEARCASEMTG6X6]

Ref.	Part No.	Qty	Part Description	Notes
1.	7518364	4	Bolt	
2.	7080138	1	Cable Tie	
3.	8360009-600	AR	Line, Fuel	
4.	1014772	2	Mount, Transmission	
5.	7547089	4	Nut, Flange Lock	
6.	7555806	2	Washer, Flat	
7.	7517646	1	Screw	
8.	3221044	1	Sprocket, 12T	
9.	7710434	1	Ring, Snap	
10.	5211065	AR	Shim, .010	
10.	5210764	AR	Shim, .020	
10.	5211517	AR	Shim, .030	
11.	7517640	1	Screw	

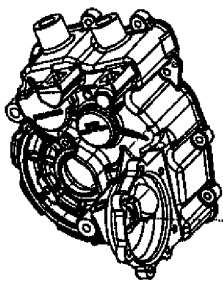
*

Do not Copy - Military Use Only
www.militaryatvparts.com

*

TRANSMISSION, OUTPUT

Applies to A07CL50MA [4999201649920164D01]



© 2005 Polaris Sales Inc.

*

TRANSMISSION, OUTPUT

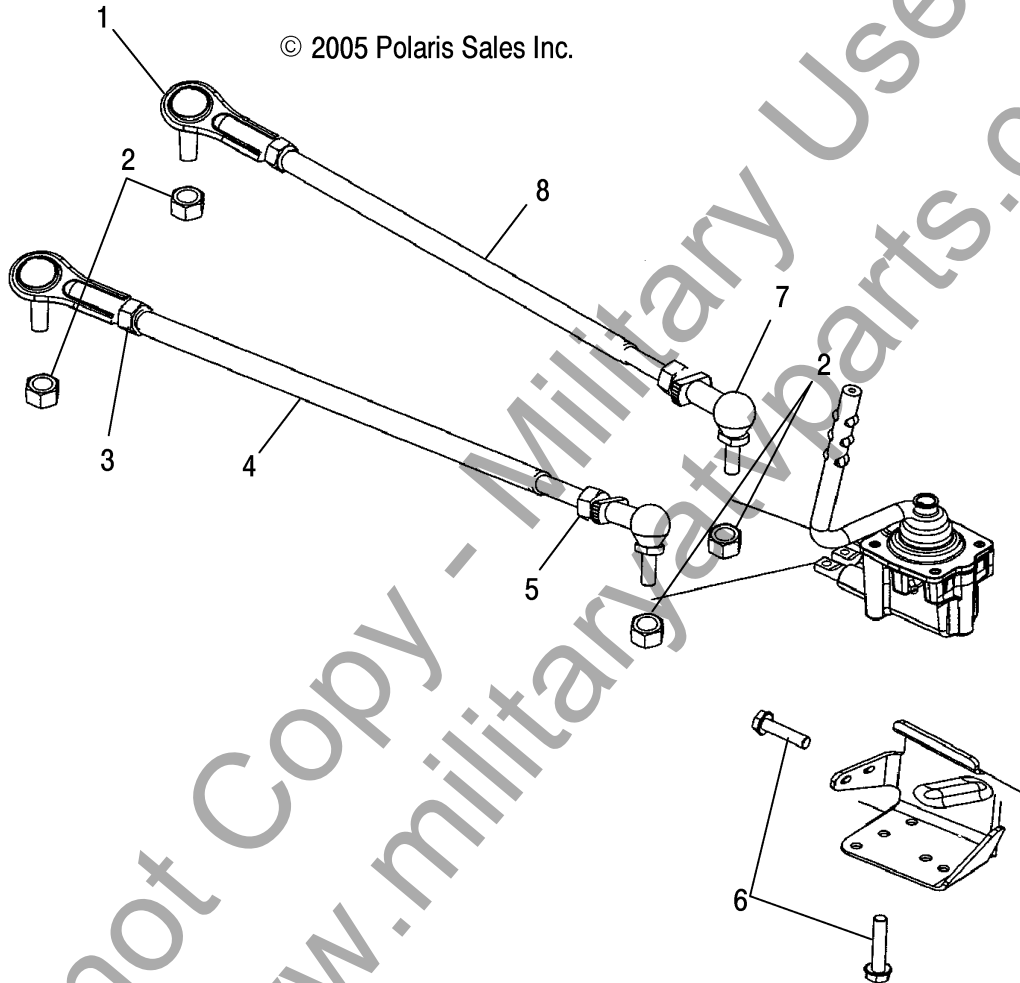
Applies to A07CL50MA [4999201649920164D01]

Ref.	Part No.	Qty	Part Description	Notes
1.	3233788	1	Seal, Triple Lip	
2.	3233539	7	Screw	
3.	3233556	1	Cover, Snorkel	
4.	3233555	1	O-Ring	
5.	3233554	1	Shim	
6.	3233020	1	Bearing	
7.	3233898	1	Gear, 25T	
8.	3233899	1	Shaft, Snorkel	
9.	3233552	1	Bushing	
.	1341428	1	Asm., Gearcase	[Incl. All]

* Do not Copy - Military Use Only *
www.militaryatvparts.com

TRANSMISSION, SELECTOR MOUNTING

Applies to A07CL50MA [4999201649920164C12]



© 2005 Polaris Sales Inc.

TRANSMISSION, SELECTOR MOUNTING

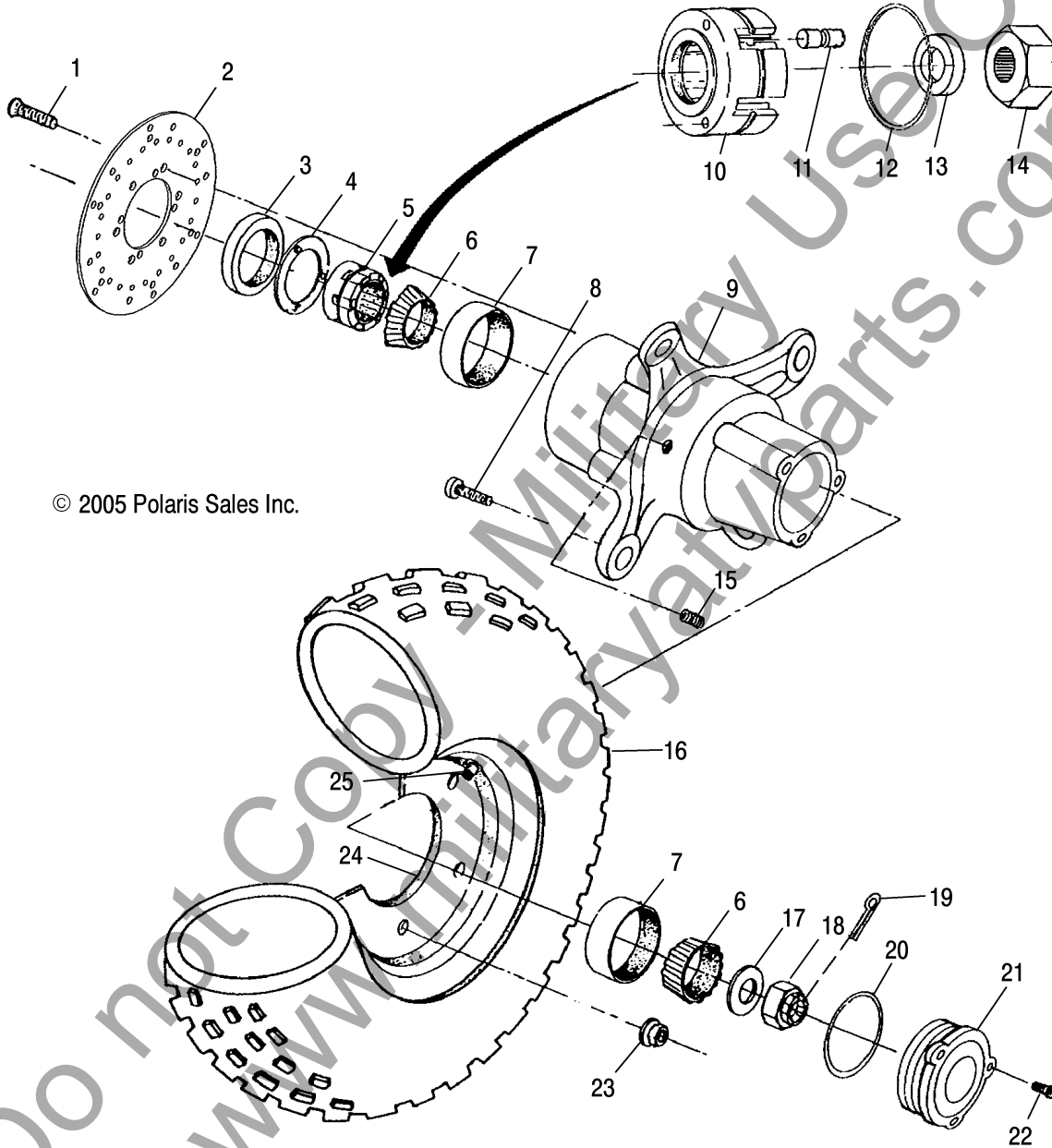
Applies to A07CL50MA [4999201649920164C12]

Ref.	Part No.	Qty	Part Description	Notes
1.	7061128	2	Rod End, LH	
2.	7546707	4	Nut	
3.	7547198	2	Nut, Jam, LH	
4.	1821430	1	Asm., Linkage	
5.	7547083	2	Nut, Jam, RH	
6.	7517386	5	Screw	
7.	7061129	2	Rod End, RH	
8.	1821428	1	Asm., Linkage, Short	

* Do not Copy - Military Use Only *
www.militaryatvparts.com

WHEEL, FRONT

Applies to A07CL50MA [4999201649920164B03]



© 2005 Polaris Sales Inc.

WHEEL, FRONT

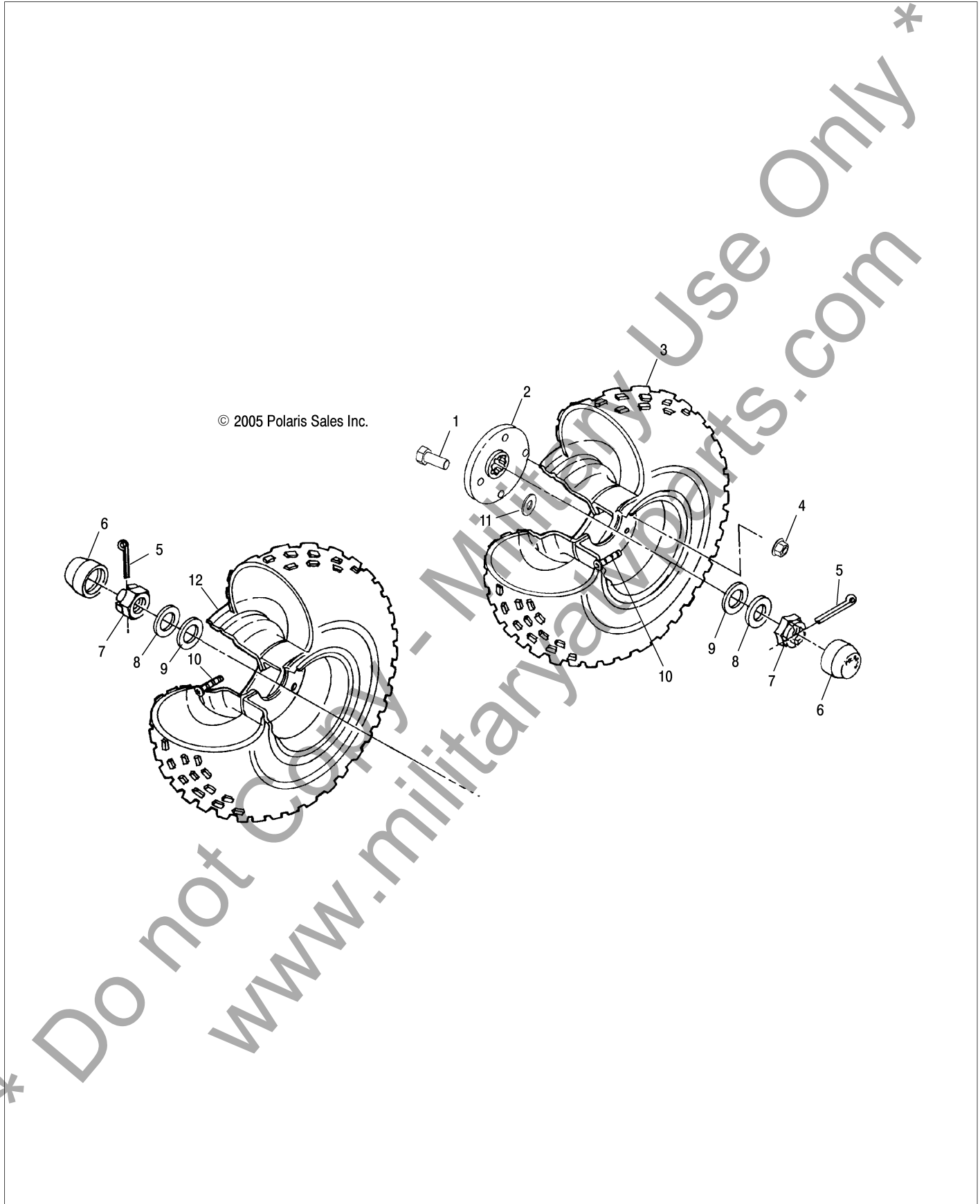
Applies to A07CL50MA [4999201649920164B03]

Ref.	Part No.	Qty	Part Description	Notes
1.	7512325	8	Bolt	
2.	5243676	2	Disc, Brake	
3.	3610019	2	Seal, Front Hub	
4.	5211148	2	Plate, Armature	
5.	1520281	2	Clutch, Front Hub, Elec./Mech.	
6.	3554506	4	Bearing, Tapered Roller Cone	
7.	3554507	4	Bearing, Tapered Roller Cup	
8.	7515513	8	Stud	
9.	1520243	2	Asm., Hub w/Bearing Race	[Incl. 3,7,8]
10.	3250028	2	Cage, Roll	
11.	3250010	12	Roll	
12.	3250032	2	Spring, Garter	
13.	1321814	2	Spacer	
14.	3250030	2	Cam	
15.	7052045	2	Plug, Magnetic Drain	
16.	2872464	2	Tire, 25x8-12	
17.	7556004	2	Washer	
18.	7542810	2	Nut, Slotted	
19.	7661402	2	Pin, Cotter	
20.	5410470	2	O-Ring	
21.	5432611	2	Cap, Hub	
22.	7512027	6	Screw	
23.	7547237	8	Nut, Flange	
24.	1520269-463	2	Rim, Front, Flat Black	
25.	1525017	2	Valve, Rim	

* Do not Copy - Military Use Only *
www.militaryatvparts.com

WHEEL, REAR and MIDDLE

Applies to A07CL50MA [4999201649920164B14]



© 2005 Polaris Sales Inc.

WHEEL, REAR and MIDDLE

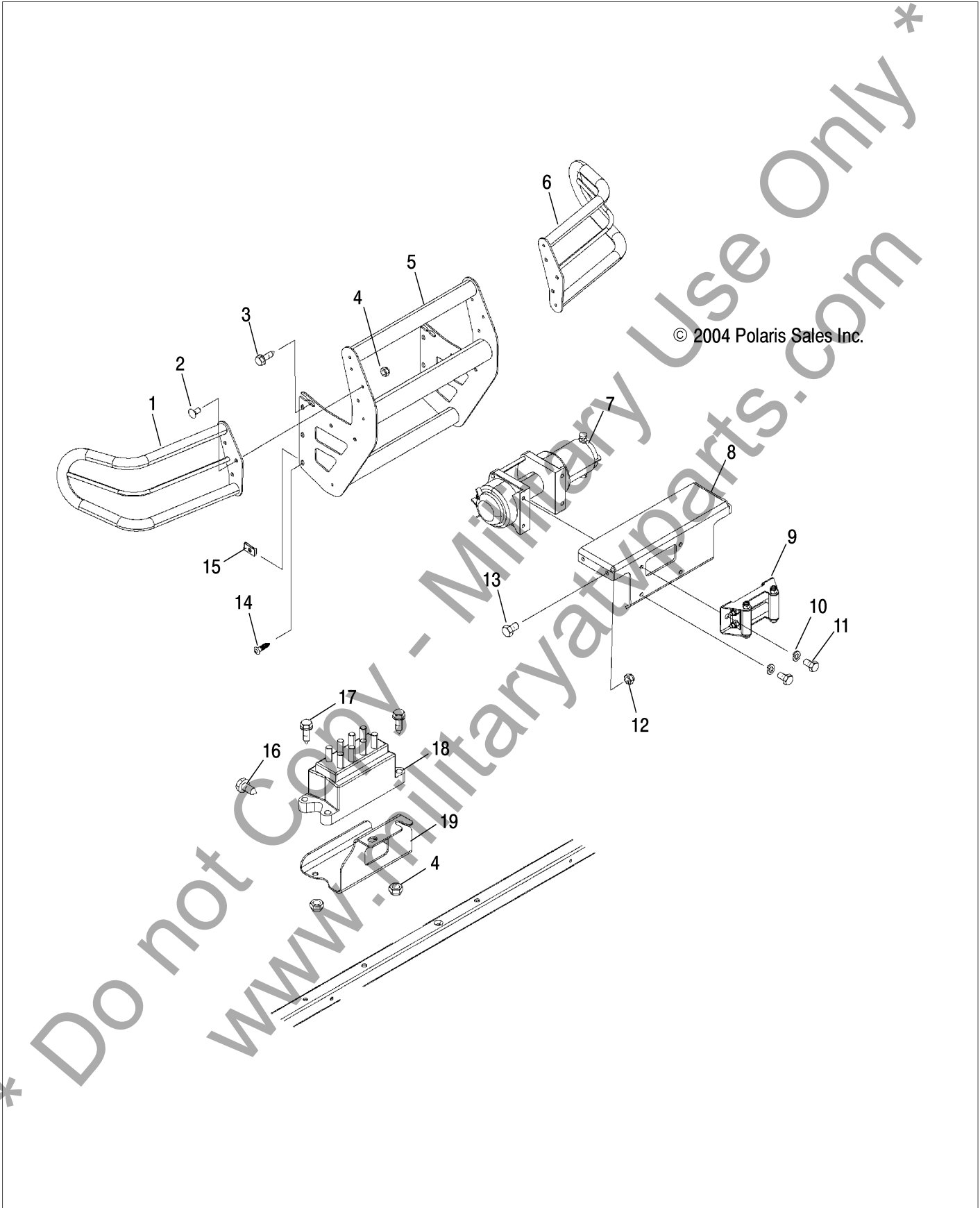
Applies to A07CL50MA [4999201649920164B14]

Ref.	Part No.	Qty	Part Description	Notes
1.	7512673	16	Bolt	
2.	5131777	4	Hub, Rear Wheel	
3.	2872463	4	Tire, 25x11-10	
4.	7542714	16	Nut	
5.	7661404	2	Pin, Cotter	
6.	5411164	4	Cover, Dust, Hub	
7.	7543005	4	Nut, Castle	
8.	7555745	4	Washer	
9.	7555796	4	Washer, Cone	
10.	1525017	4	Valve, Rim	
11.	7670081	16	Nut, Push	
12.	1520183-463	4	Rim, Rear, Flat Black	

* Do not Copy - Military Use Only *
www.militaryatvparts.com

WINCH and BRUSH GUARD

Applies to A07CL50MA [49ATVWINCH076X6MV]



© 2004 Polaris Sales Inc.

WINCH and BRUSH GUARD

Applies to A07CL50MA [49ATVWINCH076X6MV]

Ref.	Part No.	Qty	Part Description	Notes
1.	1014996-067	1	Guard, headlight, Black, RH	
2.	7515203	6	Screw	
3.	7517208	4	Screw	
4.	7542122	8	Nut, Nylok	
5.	1014994-067	1	Guard, Brush, Black	
6.	1014995-067	1	Guard, headlight, Black, LH	
7.	2202876	1	Winch, Warn	
8.	5247293-067	1	Plate, Winch Mount, Black	
9.	1015038	1	Roller, Fairlead, Warn Winch	
10.	7552901	4	Washer, Spring Lock	
11.	7515317	4	Screw	
12.	7542343	4	Nut, Flange	
13.	7512310	4	Screw	
14.	7517686	6	Screw	
15.	7670057	6	Nut, Flange	
16.	7517386	2	Screw	
17.	7512247	2	Screw	
18.	4011179	1	Asm., Contactor w/Wires	
19.	5246340	1	Bracket, Contactor/Solenoid, Winch	

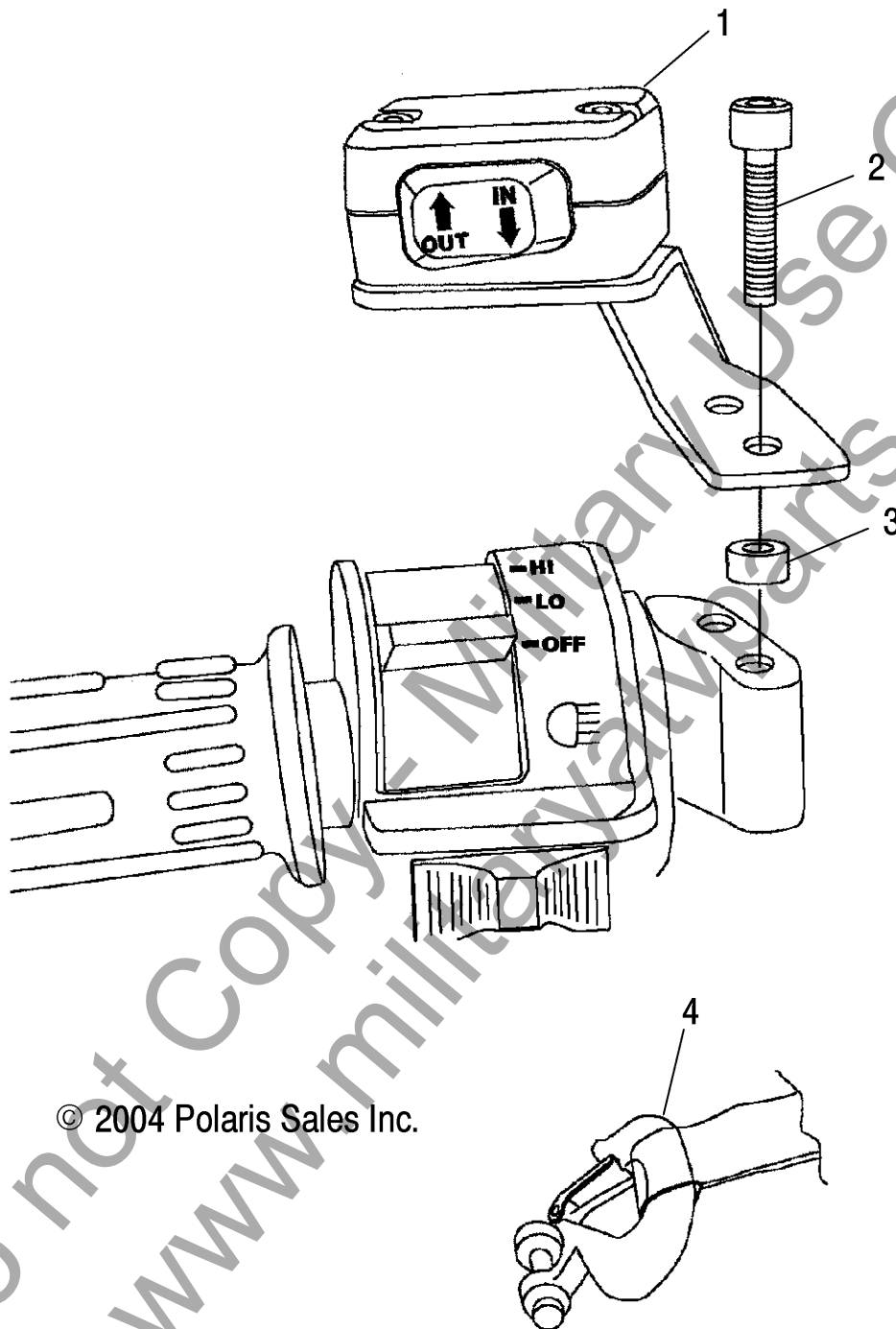
*

Do not Copy - Military Use Only
www.militaryatvparts.com

*

WINCH SWITCH and HOOK

Applies to A07CL50MA [49ATVWINCHSWTCH076X6MV]



© 2004 Polaris Sales Inc.

WINCH SWITCH and HOOK

Applies to A07CL50MA [49ATVWINCHSWTCH076X6MV]

Ref.	Part No.	Qty	Part Description	Notes
1.	4011180	1	Asm., Handlebar Switch	
1.	2202255	1	Switch, Winch	
2.	7518304	2	Screw	
3.	5133010	2	Spacer, Master Cylinder Clamp	
4.	2202253	1	Asm., Hook, Warn Winch	

* Do not Copy - Military Use Only *

www.militaryatvparts.com

Part Number Index

The Part Number Index is a numeric index of all part numbers included in this manual. The index shows what page(s) the part is used on.

Part Number	Page	Part Number	Page	Part Number	Page	Part Number	Page
-----	11, 41, 105	2201833	13	3084591	51	3084978	55
1012893-067	37	2201835	13	3084744	63	3084980	55
1013125-067	37	2201836	13	3084750	63	3084981	65
1013307-067	19	2201957	21	3084822	63	3084982	65
1013327-067	101	2202015	85, 87	3084834	45	3084983	65
1013328-067	103	2202193	15	3084835	45	3084994	49
1013744-067	83	2202194	15	3084836	45	3084999	51
1013746-067	83	2202195	15	3084837	45	3085024	47
1013772-067	83	2202196	15	3084839	45	3085033	65
1013967-067	19	2202253	123	3084840	45	3085034	65
1014099-067	83	2202255	123	3084841	45	3085073	49
1014101-067	83	2202282	95	3084842	45	3085074	49
1014772	111	2202283	95	3084844	45	3085075	49
1014993-067	57	2202410	13	3084845	45	3085076	53
1014994-067	121	2202412	9	3084846	59	3085077	67
1014995-067	121	2202607	39	3084847	45	3085083	63
1014996-067	121	2202725	13	3084849	49	3085266	63
1015007	105	2202848	39	3084857	49	3085275	51
1015038	121	2202860	105	3084858	49	3085326	49
1040293-067	19	2202868	105	3084859	49	3085343	47
1040688-067	57	2202876	121	3084860	49	3085348	53
1240044	29	2203316	105	3084861	49	3085349	53
1240178	29	2383670	105	3084862	49	3085351	67
1253528	93	2410133	99	3084863	49	3085353	65
1260989-029	69	2410179	37	3084864	49	3085356	51
1261245-029	69	2410430	29	3084866	49	3085359	67
1261391-029	57	2410573	39	3084867	49	3085370	49
1261653	81	2410642	77	3084870	49	3085371	49
1321457	23	2410882	39	3084873	49	3085376	47
1321814	117	2431014	83	3084874	49	3085404	47
1322180	25	2431015	83	3084875	49	3085412	53
1322682	23	2520407	71	3084876	49	3085525	45
1341271	73	2530009	71	3084877	49, 63, 67	3085527	49
1341323	75	2530029	5	3084879	49	3085528	47
1341428	107, 109, 113	2632663-177	17	3084882	47	3085534	47
1380118	85	2632782-177	17	3084892	47	3085535	61
1380215	85	2633261	21	3084893	47	3085812	47
1380217	87	2681664-070	37	3084894	47	3085815	47
1380223	85	2682522-070	37	3084895	47	3085854	49
1520183-463	119	2682572	105	3084896	47	3085857	67
1520243	117	2682959-070	19	3084897	47	3086212	53
1520259	33	2682960-070	19	3084899	53	3086448	53
1520269-463	117	2870725	105	3084908	53	3086493	53
1520281	117	2872463	119	3084909	53	3086747	49
1525017	117, 119	2872464	117	3084910	53	3086749	45, 63
1541344-067	101	2874743	105	3084911	53	3086767	47
1541583	103	2874858	105	3084912	53	3086774	67
1541852-067	97	2874925	105	3084913	53	3086781	49
1541853-067	97	2875090	105	3084914	53	3086810	45
1580067-067	101	3070175	55	3084915	53	3086815	59
1821428	115	3080530	49, 57	3084916	53	3086838	45, 53
1821430	115	3080676	45	3084917	53	3086840	67
1822630-067	91	3081256	55	3084924	53	3086892	53
1822821	99	3081330	49	3084935	67	3087030	65
1822822	99	3081447	47	3084940	67	3087090	47
1822852	95	3081497	49	3084942	67	3087129	53
1910408	7, 11	3081543	47	3084946	61	3087130	53
1910411	9	3081657	53, 55	3084948	61	3087131	53
1910470	13	3082038	65	3084949	61	3087132	53
1910480	7, 13	3082956	45, 63	3084950	61	3087154	45
1910481	7, 15	3083166	49	3084951	61	3087163	63
1910499	13, 15	3083185	63	3084952	61	3087164	63
1910838	13	3083361	53	3084953	61	3087199	49, 57
1910839	13	3083378	63	3084954	61	3087203	53
1910877	9	3083379	63	3084955	61	3087221	47
1910878	9	3083463	63	3084956	61	3087222	47
1930642	9	3083649	65	3084958	61	3087223	47
2010191	27	3083669	45, 63	3084959	61	3087224	47
2010201	15	3083905	47	3084960	61	3087225	47
2010238	13	3084205	21, 41, 43, 45, 57, 61	3084961	61	3087226	47
2010250	27			3084962	61	3087264	61
2200472	101	3084405	65	3084963	59	3087265	61
2201015	85	3084408	65	3084964	59	3087266	45, 49
2201428	11	3084409	65	3084965	59	3087276	61
2201683	11	3084410	65	3084972	55	3088169	65
2201684	11	3084411	65	3084973	55	3088170	51
2201749	11	3084412	65	3084976	55	3089238	39, 55



Part Number Index (continued)

Part Number	Page	Part Number	Page	Part Number	Page	Part Number	Page
3089239	39, 55	3233153	107	3233788	107, 113	5132220	7
3089240	45	3233176	109	3233872	107	5132358	37
3089242	49	3233177	109	3233895	107	5132373	37
3089245	47	3233195	73	3233897	107	5132382	89
3089246	67	3233248	75	3233898	113	5132405	9
3089248	55	3233252	75, 107	3233899	113	5132464	35
3089250	55	3233253	75	3233961	107	5132497	35
3089254	55	3233254	75	3234001	107	5132875	35
3089256	49	3233263	109	3234002	107	5133010	123
3089450	45	3233306	109	3240088	47	5133166	103
3089540	47	3233308	107	3240114	65	5133167	103
3089541	47	3233309	107	3250010	117	5133806	95
3089544	55	3233319	75	3250028	117	5133825	93
3089545	55	3233324	75	3250030	117	5134321	103
3089546	55	3233360	107	3250032	117	5134754	9
3089547	55	3233448	107	3260121	85	5134755	9
3089961	57	3233524	75	3260123	85	5210748	57
3110032	29	3233527	107	3260131	87	5210752	23, 25
3110044	57	3233529	107	3260133	85, 87	5210753	23
3110046	57	3233537	109	3280431	89	5210754	23
3110064	69	3233539	109, 113	3514352	91	5210764	111
3110067	57	3233540	109	3515501	33	5211065	111
3130014	41	3233541	75, 109	3554506	117	5211115	99
3130199	41	3233542	109	3554507	99, 117	5211121	95
3130361	41	3233544	107	3554509	99	5211148	117
3130501	41	3233546	107	3554517	33, 35	5211517	111
3130502	41	3233547	107	3554518	33, 35	5220646	25
3130511	41	3233548	107	3576504	23, 25	5222154	71
3130513	41	3233549	107	3576510	23	5222155	71
3130514	41	3233552	113	3576511	25	5222193	99
3130515	41	3233554	75, 113	3610013	33	5222221-067	103
3130518	41	3233555	113	3610019	117	5222393	91
3130519	41	3233556	113	3610028	99	5241147	101, 103
3130520	41	3233582	75	3610070	33, 35	5242044	5
3130521	41	3233583	75	3610074	33	5242046	21
3130529	41	3233589	75	4010093	39	5242344	69
3130532	41	3233632	107	4010094	39	5242674	57
3130533	41	3233633	109	4010095	39	5242981	23
3130535	41	3233639	73	4010132	57	5243304	37
3130538	41	3233640	73	4010298	89	5243364	99
3130539	41	3233641	73	4010340	37	5243503-067	29
3130543	41	3233642	73	4010638	79	5243505	29
3130566	41	3233643	73	4010820	79	5243518	69
3130589	41	3233644	73	4010822	79	5243676	117
3130590	41	3233646	73	4010924	39	5244014	69
3130591	41	3233648	73	4010947	39	5244068-067	37
3130594	41	3233649	73	4011074	77	5244077-067	101
3130624	41	3233658	73	4011138	39	5244078-067	101
3130836	41	3233693	75	4011179	121	5244425	33
3131360	41	3233696	75	4011180	123	5244581-067	77
3131423	41	3233697	75	4011385	77	5244729-067	83
3131572	41	3233699	75	4011568	39	5244730-067	83
3211077	25	3233700	75	4020139	39	5244969-067	77
3221044	111	3233701	75	4030059	83	5246315-067	17
3221138	33	3233704	107	4032079	77	5246316-067	17
3221139	33	3233706	109	4110164	13	5246340	121
3221140	35	3233711	75, 107	5010192	69	5246408	69
3221192	33, 35	3233718	109	5010462	33	5246553	43
3221193-080	33	3233719	109	5020422	23	5246732	91
3221193-116	35	3233720	109	5020468	35	5246747	39
3233018	107, 109	3233721	109	5020572	29	5246928	93
3233019	107	3233722	109	5020764	97	5247293-067	121
3233020	75, 107, 109, 113	3233724	75	5020765	97	5247488	103
3233026	107	3233725	75	5020766	97	5247524-067	21
3233032	107	3233726	75	5020926	95	5247782	39
3233035	107	3233729	107	5131446	25	5247949	21
3233036	107	3233730	109	5131759	7	5332828	103
3233037	107	3233731	109	5131777	119	5333204	81
3233040	107	3233732	109	5131786	7	5334257	93
3233043	107	3233733	109	5132049	33	5410163	77
3233045	107	3233737	107	5132062	99	5410193	27
3233060	73	3233747	107	5132098	33	5410436	69
3233076	73	3233749	107	5132218	33	5410470	117
3233131	73	3233754	73	5132219	33	5410542	21

Part Number Index (continued)

Part Number	Page	Part Number	Page	Part Number	Page	Part Number	Page
5410584	29	5433657	21	7052364	71	7515189	77, 81
5410828	81	5433687	71	7061128	115	7515203	121
5410889	33, 35	5433733	79	7061129	115	7515304	103
5410988	13, 15	5433774	29	7061130	95	7515316	69
5411092	87	5433866	91	7061138	95	7515317	121
5411164	119	5433903	77	7061139	95	7515321	101
5411297	13	5433923	83	7078572	103	7515339	99
5411422	5	5433924	83	7080003	43, 71	7515350	37
5411439	27	5433948	29	7080138	13, 39, 77, 111	7515382	25
5411540	5	5434113	27	7080306	33, 35	7515398	57
5411553	21	5434264	21	7080307	75	7515399	83, 93, 103
5411555	33	5434308	81	7080352	9	7515415	95, 101, 103
5411596	9	5434380	89	7080367	99	7515417	57
5411597	9	5434417-070	19	7080413	5	7515438	103
5411632	29	5434545	103	7080424	87	7515489	9
5411633	29	5434546	103	7080433	95	7515513	33, 117
5411694	29	5434548	97	7080474	57, 81	7517208	121
5411739	33	5434551	95, 97	7080510	103	7517312	17
5411811	29	5434553	97	7080511	5, 21, 57	7517317	5, 77
5411921	5	5434790-070	93	7080539	13	7517377	19
5412067	19, 69	5435110-400	17	7080573	7	7517386	17, 69, 87, 101, 115, 121
5412138	89	5435364-400	77	7080595	5	7517428	91
5412191	17, 81	5436521	25	7080614	29	7517505	71
5412352	93	5436747-070	77	7080650	5	7517560	79
5412487	57	5436818-070	37	7080694	5	7517561	37
5412499	39	5510372	33	7080699	5, 81	7517615	69
5412505	9	5521279	101	7080826	29	7517625	77
5412506	9	5521511	29	7080827	29	7517640	111
5412507	81	5521578	21	7080881	37	7517646	111
5412636	21	5521641	93	7080922	79	7517658	89
5412637	21	5630513	23	7081026	81	7517659	29
5412658	95	5630987	33	7081101	93	7517685	17
5412659	69	5631516	77	7081124	93	7517686	121
5412665	99	5631517	77	7081170	27	7517742	37
5412900-070	77	5810279	29	7081171	79	7517747	37
5412928	95	5810290	39	7081241	93	7517758	7, 11
5412929	95	5810291	99	7081242	93	7517790	37
5430261	57	5810317	39	7081279	21	7517899	13, 15
5430743	29	5810439	99	7170509	101	7517909	95
5430945	23	5810455	5	7171494	31	7517938	37
5431053	71	5810467	83	7171495	31	7517977	83
5431149-070	95	5810996	17	7172563	21	7518062	23
5431150-070	95	5811087	19	7172746	21	7518216	93
5431769	39	5811106	19	7510000	21	7518287	39
5431798-070	17	5811110	17	7511854	25	7518304	123
5431799-070	17	5811111	19	7511881	77	7518341	83
5431936	23	5811310	71	7512007	39, 93	7518364	75, 111
5432139-400	17	5811482	5	7512018	39	7541906	23
5432155-070	83	5811491	17	7512024	13, 39, 73, 93	7541923	43
5432221-070	19	5811633	5	7512027	39, 117	7541925	17, 19, 39, 93, 101
5432280	19	5812123	71	7512076	93	7542122	17, 19, 77, 81, 121
5432377	5	5812138	17	7512084	7, 29, 37, 95	7542153	19
5432473	5	5813042	5	7512085	17, 19	7542301	69
5432559	71	5813044	71	7512094	21	7542324	19, 37, 57, 69, 93, 99, 101, 103
5432601	5	5813045	71	7512094	21	7542343	83, 91, 103, 121
5432611	117	5830128	5	7512232	17, 19, 21, 29, 57, 69, 83	7542438	95
5432727	103	5850135	81	7512240	19, 29	7542439	33, 95, 101, 103
5432733	71	7010032	39	7512242	19	7542449	37
5432763	19	7041157	23	7512247	43, 121	7542522	101, 103
5432798	19	7041198	25	7512266	23	7542711	95
5432854	103	7041301	37	7512279	19	7542714	119
5432868	5	7041450-067	99	7512284	95	7542810	117
5432871	99	7041761	99	7512310	121	7543005	119
5432872	99	7041804	69	7512312	7	7546707	115
5432952	77	7041879	19	7512315	57	7547028	95
5433059	29	7041880-067	101	7512325	103, 117	7547031	33
5433154	87	7041962	103	7512329	37	7547069	29
5433364	29	7041963	101	7512365	9, 99	7547082	103
5433387	5	7041987-067	103	7512392	19	7547083	115
5433388	37	7042029	69	7512492	37, 95, 97	7547089	37, 57, 111
5433395	5	7051011	43	7512520	101	7547104	99
5433410	29	7051524	81	7512566	57	7547108	57
5433427	21	7052045	117	7512576	101, 103	7547158	91
5433428-400	19	7052065	29	7512666	69	7547177	95
5433429	19	7052075	43	7512673	119	7547198	115
5433430	19	7052161	71	7515117	101		
5433539	101	7052292	13	7515136	71		
5433655	37	7052296	29	7515177	37		
5433656	37	7052326	81	7515179	5, 19, 71		



Part Number Index (continued)

Part Number	Page	Part Number	Page
7547237	117	8450105-65	43, 71
7547270	39	9920775	105
7552603	57, 95, 97		
7552801	29		
7552901	7, 9, 25, 57, 99, 121		
7555716	69		
7555734	19		
7555745	119		
7555749	99		
7555792	17, 19, 93		
7555796	119		
7555801	57		
7555806	111		
7555815	57		
7555832	95, 97		
7555859	19		
7555883	101		
7555898	25		
7555908	65		
7555931	17		
7555932	81		
7555935	21		
7555957	95		
7555958	93		
7555998	67		
7556004	117		
7556034	17, 19		
7556035	103		
7556076	25		
7556091	21		
7556099	95		
7556120	25		
7556142	101, 103		
7556143	37		
7556157	37		
7556162	91		
7556230	69		
7556804	25		
7558221	37		
7558301	5, 21, 29, 81		
7558402	7, 9, 99, 101, 103		
7575202	57		
7621462	13		
7621509	17		
7661046	103		
7661203	95		
7661402	117		
7661404	119		
7661633	91		
7661637	21, 29, 101		
7661644	37		
7661645	19		
7661855	83		
7661913	85, 87		
7670057	17, 19, 121		
7670081	119		
7670092	85		
7670109	17, 39		
7670111	29		
7670127	77		
7670135	17		
7710405	33, 35		
7710434	111		
7710448	25		
7710472	33		
8360009-600	43, 71, 111		
8360031-145	13		
8450003-1525	29, 43, 75		
8450040-600	43		
8450059-150	5		
8450073-600	5, 81		
8450096-100	81		
8450103	43, 71		

* Not Copy - Military Use Only *
www.militaryatvparts.com

Part Description Index

The Part Description Index is an alphabetical index of all part descriptions included in this manual. The index shows what page(s) the part is used on.

A

Adapter.....49
 Adapter, Camshaft.....49
 Asm., Armature.....65
 Asm., Backrest, Black.....37
 Asm., Band, Adapter.....49
 Asm., Bolt and Washer.....21, 53, 55, 61, 63, 65
 Asm., Bolt Set.....65
 Asm., Bolt, Pivot Lever.....53
 Asm., Bracket, Front.....65
 Asm., Cab, Front, Camo Green Metallic.....17
 Asm., Caliper, Brake.....11
 Asm., Caliper, Brake, LH.....9
 Asm., Caliper, Brake, RH.....9
 Asm., Caliper, Rear.....7
 Asm., Camshaft.....53
 Asm., Carburetor.....41
 Asm., Cluster, Instrument.....89
 Asm., Clutch Cover, Outer.....21
 Asm., Coil, Ignition.....39
 Asm., Contactor w/Wires.....121
 Asm., Cover, Rear.....65
 Asm., Crankcase.....45
 Asm., Crankshaft.....47
 Asm., CV Housing w/Sleeve.....85
 Asm., Cylinder.....49
 Asm., Drive Clutch.....23
 Asm., Drive Shaft, Front.....85
 Asm., Driven Clutch.....25
 Asm., Fan and Motor.....29
 Asm., Filter, Oil.....59
 Asm., Float.....41
 Asm., Float Body.....41
 Asm., Front Cover.....93
 Asm., Front Gearcase.....75
 Asm., Fuel Pump.....51
 Asm., Fuel Tank.....71
 Asm., Gear Selector.....73
 Asm., Gear Shaft.....65
 Asm., Gearcase.....107, 109, 113
 Asm., Handlebar Switch.....123
 Asm., Headlight, Black.....77
 Asm., Headlight, Side Mount, 27W, LH.....83
 Asm., Headlight, Side Mount, 27W, RH.....83
 Asm., Hook, Warn Winch.....123
 Asm., Hub w/Bearing Race.....117
 Asm., Hub, Brake Disc, Locking.....33
 Asm., Hubstrut, LH.....99
 Asm., Hubstrut, RH.....99
 Asm., Ignition Coil.....55
 Asm., Knob, Hi/Lo/Rev.....73
 Asm., Linkage.....115
 Asm., Linkage, Short.....115
 Asm., Master Cylinder.....13, 15
 Asm., Mount, Caliper.....9
 Asm., Oil Pump.....61
 Asm., Panel/Foam, Black Metallic, LH.....17
 Asm., Panel/Foam, Black Metallic, RH.....17
 Asm., Plate.....55
 Asm., Plunger.....41
 Asm., Prop Shaft, Front.....87
 Asm., Recoil.....63
 Asm., Reel.....63
 Asm., Rocker Arm, Exhaust.....53
 Asm., Rocker Arm, Intake.....53
 Asm., Roller and Bushing.....23
 Asm., Rope.....63
 Asm., Screw and Washer.....21, 41, 43, 45, 49, 51, 55, 57, 61

Asm., Seat, Black.....19
 Asm., Sensor, Thermo.....67
 Asm., Starter Case.....63
 Asm., Starting Motor.....65
 Asm., Steering Lock Cable.....105
 Asm., Swing Arm.....103
 Asm., Switch, Ignition, Keyless.....79
 Asm., Taillight w/Brake Light.....37
 Asm., Tensioner.....53
 Asm., Throttle Clamp.....27
 Asm., Throttle Control, AWD.....27
 Asm., Throttle Shaft.....41
 Asm., Tie Rod.....95
 Asm., Tool Kit.....105
 Axle, Middle.....33
 Axle, Rear.....35

B

Bag, Fender.....105
 Bag, Gas Tank.....105
 Ball, Pivot, Bottom.....99
 Ball, Pivot, Top.....99
 Ball, Steel.....47
 Band, Pulse.....55
 Base, Front Box, Black.....93
 Battery, Sealed.....39
 Bearing.....33, 75, 91, 107, 109, 113
 Bearing, Ball.....45, 47, 75
 Bearing, Cone, Tapered.....33, 35
 Bearing, Cover.....23
 Bearing, Cup, Tapered.....33, 35
 Bearing, End, Large.....47
 Bearing, Metal.....55
 Bearing, Needle.....109
 Bearing, Tapered Roller.....99
 Bearing, Tapered Roller Cone.....117
 Bearing, Tapered Roller Cup.....99, 117
 Bellcrank.....107
 Belt, Drive.....25
 Bezel.....89
 Block, Handlebar.....77
 Block, Handlebar, Pegged.....77
 Body, Gear Selector.....73
 Bolt.....7, 17, 19, 21, 25, 29, 37, 39, 43, 49, 57, 69, 75, 83, 91, 93, 95, 99, 101, 103, 111, 117, 119
 Bolt, Banjo.....13, 15, 59
 Bolt, Flange.....45, 49, 53, 63, 67, 83
 Bolt, Pivot.....103
 Bolt, Rocker Shaft.....49
 Bolt, Shoulder.....7, 11, 23
 Bolt, Socket.....95
 Bolt, Socket Head.....49
 Boot, Balljoint, Greaseless.....95
 Boot, Brake Line, Rubber.....13
 Boot, Carburetor.....5
 Boot, Clutch Intake.....57
 Boot, Duct.....21
 Boot, Pin Bushing.....9
 Boot, Pin Seal.....9
 Boot, Seal, Rod End.....95
 Box, Air.....5
 Box, Molded, Black.....37
 Bracket, Ball Joint.....95
 Bracket, Bolt Lock.....103
 Bracket, Box Latch.....37
 Bracket, Carburetor Mount.....43
 Bracket, CDI.....39
 Bracket, Clutch Cover, Black.....21
 Bracket, Clutch Cover, Front.....21

Bracket, Clutch, Seal.....21
 Bracket, Contactor/Solenoid, Winch.....121
 Bracket, Exhaust, Support.....69
 Bracket, Filler, Coolant.....29
 Bracket, Fuel Mounting, Cover, LH.....71
 Bracket, Fuel Mounting, Cover, RH.....71
 Bracket, Interlock.....107
 Bracket, Mount, Engine, Top.....57
 Bracket, Pod Mounting, Black.....77
 Bracket, Radiator, Lower, Black.....29
 Bracket, Support, Side Panel, RH.....69
 Bracket, Swing Arm, Black.....101
 Bracket, Upper Bushing.....91
 Bulb.....37
 Bulb, 27W.....83
 Bullet, Detent.....73
 Bumper.....99
 Bumper, Black.....83
 Bumper, Rubber.....19, 69
 Bushing.....25, 57, 63, 69, 75, 91, 103, 109, 113
 Bushing, A-Arm, Long, Black.....95, 97
 Bushing, A-Arm, Short, Black.....97
 Bushing, Black, LH.....103
 Bushing, Black, RH.....103
 Bushing, Caliper Mount.....7
 Bushing, LH.....103
 Bushing, Mount, Lower, Radiator.....29
 Bushing, Mounting.....81
 Bushing, Moveable.....23, 25
 Bushing, Moveable, 1 Inch.....25
 Bushing, Pivot.....107
 Bushing, Pivot, RH.....103
 Bushing, Stabilizer, Long, Black.....97
 Bushing, Starter.....45, 63
 Bushing, Upper.....91
 Button, Clutch.....23
 Button, Ramp.....25
 Button, Thrust.....75

C

Cab, Rear, Camo Green Metallic.....19
 Cable Tie.....13, 39, 77, 111
 Cable, Battery/Engine.....39
 Cable, Battery/Solenoid.....39
 Cable, Choke.....79
 Cable, Ground/Engine.....57
 Cable, Lid, Front.....93
 Cable, Solenoid/Starter.....39
 Cable, Tailgate.....37
 Cable, Throttle.....27
 Cage, Roll.....117
 Caliper, LH.....9
 Caliper, RH.....9
 Cam.....117
 Cap.....41
 Cap, Gas Tank.....71
 Cap, Hub.....117
 Cap, Overflow.....29
 Cap, Pressure.....29
 Cap, Sensor.....89
 Cap, Spark Plug.....55
 CDI System.....39, 55
 Chain, 116P.....35
 Chain, 80P.....33
 Chain, Roller.....107
 Chain, Silent.....107
 Chain, Timing.....53
 Channel, Lid.....93
 Circlip.....85
 Clamp.....29



Part Description Index (continued)

Clamp, 1 Inch.....29
 Clamp, Band.....5, 85
 Clamp, Cable.....99
 Clamp, Hose.....5, 29, 43, 57, 67, 71, 75, 81
 Clamp, Hose, Spring.....5, 81
 Clamp, Narrow Band.....21, 57
 Clamp, Nylon.....13
 Clamp, Rubber Coated.....7
 Clip.....5, 47, 65, 77
 Clip, Rosebud.....39
 Clip, Routing.....17, 39
 Clutch, Front Hub, Elec./Mech.....117
 Coil, Magnetic.....99
 Coil, Pulser.....55
 Collar, Inlet, Carburetor.....5
 Collet, Valve.....53
 Conduit.....13
 Control, LH Hi/Lo/Off.....77
 Control, Module.....39
 Cover.....41
 Cover, Air Box.....5
 Cover, Battery.....39
 Cover, Bearing.....109
 Cover, Camshaft.....49
 Cover, Chain, Rear.....101
 Cover, Dust, Hub.....119
 Cover, Front, Camo Green Metallic.....17
 Cover, Gear Selector Boot.....73
 Cover, Input, Front Housing.....75
 Cover, Output.....75
 Cover, Rocker.....49
 Cover, Seat.....105
 Cover, Snorkel.....113
 Cover, Storage.....105
 Cover, Tailgate, Black.....37
 Cover, Throttle Control.....27
 Cover, Water Pump.....67
 Covering, Backrest, Black.....37
 Covering, Seat, Black.....19
 Crankshaft 1.....47
 Crankshaft 2.....47

D

Dampener, Vibration.....69
 Decal, "Chain Free Play".....103
 Decal, Arrow, LH.....31
 Decal, Arrow, RH.....31
 Decal, Automatic Transmission.....21
 Decal, Hitch.....101
 Decal, Warning, Clutch Cover.....21
 Deflector, Oil.....107
 Dipstick, Oil Tank.....81
 Disc, Brake.....33, 117
 Dog, Engagement, High/Reverse.....109
 Dog, Engagement, Low.....109
 Duct, Air Outlet, Clutch.....21
 Duct, Carburetor, Inlet.....5
 Duct, Clutch Air, Inlet.....21
 Duct, Inlet.....5

E

Engine, Short Block, EH500PLE108.....57
 E-Ring.....41
 Extension, Frame, Black, LH.....83
 Extension, Frame, Black, RH.....83
 Extension, Swing Arm, Black.....101

F

Filler, Coolant.....29
 Filter, Air.....5
 Filter, Breather.....5
 Filter, Sleeve, Precleaner.....5
 Filter, Small, In-Line.....71
 Fitting, 90 Degree.....29
 Fitting, Cross.....13
 Fitting, Dual, Outlet.....71
 Fitting, Lubrication.....33, 35, 87, 95
 Fitting, Tee.....43
 Fitting, Zerk.....103
 Flangette.....91
 Flexguard.....29
 Flywheel w/Ring Gear.....55
 Foam, LH.....17
 Foil.....5, 17, 19, 71
 Foil, Foam.....17
 Foil, Front.....19
 Foil, Side Panel, RH.....17
 Footwell, Black, LH.....19
 Footwell, Black, RH.....19
 Fork, Shift, High/Reverse.....109
 Fork, Shift, Low.....109
 Frame, Main, Black.....19

G

Gasket.....29, 45, 49, 63, 71
 Gasket, Aluminum.....45, 59
 Gasket, Carburetor Inlet Duct.....5
 Gasket, Cylinder.....49
 Gasket, Head.....49
 Gasket, Intake.....5
 Gasket, Plug.....53
 Gasket, Rocker Cover.....49
 Gasket, Tensioner.....53
 Gasket, Water Pump.....67
 Gauge, Tire Pressure.....105
 Gear 1, Balancer.....47
 Gear 2, Pump.....61
 Gear, 100T.....107
 Gear, 25T.....113
 Gear, 30T.....109
 Gear, 33T.....109
 Gearcase.....75
 Gearcase, LH.....107
 Gearcase, RH.....107
 Grip, Handlebar, Black.....77
 Grommet.....81
 Guard, Brush, Black.....83, 121
 Guard, Chain.....103
 Guard, Chain, Lower, Black.....101
 Guard, headlight, Black, LH.....121
 Guard, headlight, Black, RH.....121
 Guard, Hose.....29
 Guard, Mud, Rear, Black, LH.....19
 Guard, Mud, Rear, Black, RH.....19
 Guard, Mudflap, Front, Black, LH.....17
 Guard, Mudflap, Front, Black, RH.....17
 Guard, Prop Shaft, Front.....87
 Guard, Rock.....19
 Guard, Splash, Black, LH.....17
 Guard, Splash, Black, RH.....17
 Guard, Swing Arm, Black.....103
 Guide, Cable.....41
 Guide, Chain.....53, 107

Guide, Chain Pad.....103
 Guide, Chain, Rear.....101
 Guide, Valve.....49

H

Handle, Gear Selector.....73
 HANDLE, WRENCH.....105
 Harness, IR/Blackout.....39
 Harness, Main.....39
 Head, Cylinder.....49
 Heat Sink.....39
 Holder, Guide.....41
 Hook, Battery Strap.....39
 Hose, Breather.....5
 Hose, Engine, Lower.....29
 Hose, Engine, Upper.....29
 Hose, Main.....67
 Hose, Neck, Filler.....29
 Housing, Axle, Rear.....33, 35
 Housing, Swing Arm.....33
 Hub, Locking Middle Axle.....33
 Hub, Rear Wheel.....119

I

Impeller.....67

J

Jet, Main, #142.5.....41
 Jet, Pilot, #40.....41
 Joint, Ball, Greaseless.....95

K

Key.....47
 Key, Woodruff.....47
 Kit, Seals.....11
 Kit, A-Frame, LH.....95
 Kit, A-Frame, RH.....95
 Kit, Asm., Front Brake Pad.....9
 Kit, Battery Bolt.....39
 Kit, Bleeder.....11
 Kit, Brake Pads.....11
 Kit, Clamp, RH.....15
 Kit, Cover, RH.....15
 Kit, Cross and Bearing.....85, 87
 Kit, Front Brake Boot.....9
 Kit, Fusible Link.....39
 Kit, Hitch.....101
 Kit, Inner Clutch Cover.....21
 Kit, Lever, RH.....15
 Kit, Master Cylinder Cap.....13
 Kit, Master Cylinder Clamp.....13
 Kit, Master Cylinder Lever.....13
 Kit, Master Cylinder Park Brake Lever.....13
 Kit, Piston.....13
 Kit, Piston, RH.....15
 Kit, Piston, Seals.....11
 Kit, Replacement Boot.....85
 Knob, Adjusting.....77
 Knob, Fuel Valve.....71

L

Latch.....37
 Latch, 1/4 Turn, LH.....93
 Latch, 1/4 Turn, RH.....93

Part Description Index (continued)

Latch, Box, Black.....37
 Latch, Paddle.....37
 Latch, Wire.....93
 Lever.....53
 Lever, Box, Black.....19
 Lever, Ignition Switch.....79
 Lever, Release.....53
 Line.....81
 Line, Brake, Front, LH.....13
 Line, Brake, Front, RH.....13
 Line, Brake, JB to Rear.....7, 13
 Line, Brake, M/C to Rear, RH.....7, 15
 Line, Brake, Pod.....13
 Line, Breather.....5, 17, 81
 Line, Fuel.....5, 29, 43, 71, 75, 81, 111
 Link, Connector.....33, 35

M

Manifold, Black.....57
 Manual, Owner's, '07 Sportsman 6X6.....105
 Module, Resistor.....39
 Mount, Caliper, Lower.....7
 Mount, Caliper, Upper.....7
 Mount, Chain Cover, Front, Black.....101
 Mount, Chain Cover, Rear, Black.....101
 Mount, Engine, Front, Black.....57
 Mount, Motor.....57
 Mount, Rack, Black, LH.....83
 Mount, Rack, Black, RH.....83
 Mount, Rear Engine, Black.....57
 Mount, Rock Guard, Bracket, Black.....103
 Mount, Rubber.....29, 89
 Mount, Rubber, Front.....57
 Mount, Rubber, Top.....57
 Mount, Strut, Rear.....19
 Mount, Torque Stop.....69
 Mount, Transmission.....111

N

Nut.....39, 49, 53, 57, 95, 99, 115, 119
 Nut, Castle.....95, 119
 Nut, Choke.....79
 Nut, Flange.....37, 65, 83, 91, 101, 103, 117, 121
 Nut, Flange Lock.....37, 107, 111
 Nut, Flange, Lock.....57
 Nut, FLEXLOC.....23
 Nut, Fuel Valve.....71
 Nut, Hex.....69
 Nut, Hex, Jam.....103
 Nut, Ignition.....79
 Nut, Jam.....33, 35, 95
 Nut, Jam, LH.....95, 115
 Nut, Jam, RH.....115
 Nut, Lock.....47
 Nut, Nylok.....17, 19, 33, 37, 39, 57, 69, 77, 81, 93, 95, 99, 101, 103, 121
 Nut, Nylok, Flange.....19
 Nut, Push.....119
 Nut, Self Lock.....67
 Nut, Slit.....47
 Nut, Slotted.....117
 Nut, Slotted, Hex.....91
 Nut, Speed.....17, 19
 Nut, Well.....43
 Nutsert, Hex.....29

O

O-Ring.....21, 27, 29, 33, 35, 41, 45, 49, 55, 65, 73, 75, 77, 87, 107, 113, 117
 O-RING.....11

P

PACKING.....41
 Pad.....5, 39
 Pad, Battery.....39
 Pin.....53
 Pin, Cotter.....91, 95, 117, 119
 Pin, Crank.....47
 Pin, Dowel.....45, 53, 61, 73
 Pin, Float.....41
 Pin, Hinge, Front.....93
 Pin, Hitch.....37
 Pin, Interlock.....107
 Pin, Roller.....23
 Pin, Spring.....85, 87
 Pin, Straight.....49
 Pinion, Input, 14T.....75
 Pipe 2, Elbow.....49
 Pipe, Air Breather.....45
 Pipe, Exhaust, Black.....69
 Pipe, Knock.....45, 49, 107
 Pipe, Oil Delivery 1.....59
 Pipe, Oil Delivery 2.....59
 PISTON.....11
 Piston, Caliper.....9
 Plate.....41, 55
 Plate, Armature.....117
 Plate, Friction.....63
 Plate, Winch Mount, Black.....121
 Plug.....45, 49, 53, 63, 81, 107
 Plug, Blind.....49
 Plug, Cap.....29
 Plug, Compartment.....93
 Plug, Drain.....21, 75
 Plug, Frame.....83
 Plug, Hole.....77
 Plug, Magnetic Drain.....117
 Plug, Nylon.....19
 Plug, Oil Fill.....75, 107
 Plug, Spark, BKR5E.....55
 Plug, Trap.....5
 Pod, Headlight, Lower, Black.....77
 Pod, Headlight, Upper, Camo Green Metallic.....77
 Post, Steering, Black.....91
 Pouch, Tool Kit.....105
 Pump, Oil, Case 1.....61
 Pump, Oil, Case 2.....61
 Pump, Oil, Case 3.....61

R

Radiator.....29
 Ramp, Stationary.....25
 Ratchet.....63
 Receptacle, Pod Mount, 12V.....79
 Retainer, Casting Wire, Strut.....99
 Retainer, Nut.....33
 Retainer, Shock.....103
 Retainer, Short.....101
 Retainer, Spring.....99
 Retainer, Valve Spring.....53
 Rim, Front, Flat Black.....117
 Rim, Rear, Flat Black.....119
 Ring.....41
 Ring, Retaining.....25, 33, 75, 107, 109
 Ring, Rubber.....65
 Ring, Snap.....33, 35, 111
 RING, SQUARE.....11
 Ring, Tie Down.....93
 Rivet.....13, 17, 19, 21, 29, 83, 101, 103
 Rod End, LH.....95, 115

Rod End, RH.....95, 115
 Rod, Connecting.....47
 Rod, Hinge.....37
 Roll.....117
 Roller, Fairlead, Warn Winch.....121
 Rotor, Inner.....61
 Rotor, Inner, Feed.....61
 Rotor, Outer.....61
 Rotor, Outer, Feed.....61

S

Screen, Oil Filter, 90 Degree.....81
 Screw.....5, 7, 13, 15, 17, 19, 21, 23, 29, 37, 39, 41, 57, 61, 69, 71, 73, 75, 77, 79, 81, 83, 87, 89, 93, 95, 97, 101, 103, 107, 109, 111, 113, 115, 117, 121, 123
 Screw, Adjust.....41
 Screw, Adjusting.....53
 Screw, Bleeder.....9
 Screw, Cap.....9, 99
 Screw, Flange.....103
 Screw, Set.....77
 Screw, Socket Set.....9
 Screw, Tapping w/Lock Washer.....107
 SCREWDRIVER.....105
 Seal.....13, 15, 41, 75
 Seal, Axle, Rear.....33
 Seal, Caliper, Inner.....9
 Seal, Caliper, Outer.....9
 Seal, Clutch Cover, Outer.....21
 Seal, Cover.....5
 Seal, Cover, Case.....21
 Seal, Cover, Inner.....21
 SEAL, DUST.....11
 Seal, Exhaust.....69
 Seal, Exhaust Valve.....49
 Seal, Foam.....33, 71
 Seal, Front Compartment.....93
 Seal, Front Hub.....117
 Seal, Hubstrut.....99
 Seal, Inner.....33
 Seal, Intake Valve.....49
 Seal, Lip.....33, 35
 Seal, Mechanical.....45
 Seal, Oil.....45, 55
 Seal, Triple Lip.....107, 113
 Sensor.....89
 Set, Brush, Carbon.....65
 Set, Gasket, Diaphragm.....51
 Set, Piston, .010 Inch/.25MM O/S.....47
 Set, Piston, .020 Inch/.50MM O/S.....47
 Set, Piston, Ring, .010 Inch/.25MM O/S.....47
 Set, Piston, Ring, .020 Inch/.50MM O/S.....47
 Set, Piston, Ring, Standard.....47
 Set, Piston, Standard.....47
 Set, Washer.....65
 Shaft, A-Arm.....95
 Shaft, Balancer.....47
 Shaft, Drive.....85
 Shaft, Input.....107
 Shaft, Latch.....37
 Shaft, Output.....107
 Shaft, Output, 29T.....75
 Shaft, Pinion.....109
 Shaft, Prop.....87
 Shaft, Pump.....61
 Shaft, Reverse, 29T.....109
 Shaft, Rocker.....53
 Shaft, Shift.....107
 Shaft, Shift, High/Reverse.....107
 Shaft, Snorkel.....113



Part Description Index (continued)

Shaft, Stabilizer.....97
 Shaft, Stabilizer, Lower.....97
 Shaft, Upper, Stabilizer.....97
 Sheath, Reflect Sleeve.....43, 71
 Shield, CV Joint, Black, LH.....95
 Shield, CV Joint, Black, RH.....95
 Shield, Heat, Exhaust.....69
 Shield, Radiator Side, LH.....83
 Shield, Radiator Side, RH.....83
 Shim.....75, 113
 Shim, .010.....111
 Shim, .020.....111
 Shim, .030.....111
 Shock, Dump Box.....37
 Shock, Mid Axle.....103
 Shock, Rear.....101
 Shroud, Fan.....29
 Silencer, Black.....69
 Sleeve, Hubstrut Seal.....99
 Slide, High/Reverse.....73
 Slide, Low.....73
 Solenoid, Starter.....39
 Spacer.....21, 99, 117
 Spacer, .020.....23
 Spacer, .025.....23
 Spacer, .032.....23
 Spacer, .050.....23
 Spacer, 0.6.....47
 Spacer, 0.8.....47, 61
 Spacer, 020.....25
 Spacer, 1.0.....47, 61
 Spacer, 1.2.....47, 61
 Spacer, Axle.....33
 Spacer, Bearing.....33, 35
 Spacer, Footwell.....19
 Spacer, Master Cylinder Clamp.....123
 Spacer, Mount.....29
 Spacer, Rubber.....99
 Spacer, Switch, LH.....77
 Sphere, Plastic.....73
 Spring.....41, 45, 69, 107
 Spring, Centering.....73
 Spring, Clutch.....23
 Spring, Clutch, Red.....25
 Spring, Coil, Black.....99
 Spring, Compression, Black.....101, 103
 Spring, Detent.....73
 Spring, Friction.....63
 Spring, Garter.....117
 Spring, Latch Return.....19
 Spring, Return.....53, 63, 65
 Spring, Spiral.....63
 Spring, Tensioner.....53
 Spring, Valve.....53
 Spring, Weight.....65
 Sprocket 1.....47
 Sprocket 2.....53
 Sprocket, 12T.....111
 Sprocket, 15/22T.....109
 Sprocket, 15/26T.....107
 Sprocket, 24T.....109
 Sprocket, 30T.....33, 35
 Sprocket, 38T.....33
 Stabilizer, Lower, Black.....97
 Stabilizer, Upper, Black.....97
 Stator.....55
 Strap, Holddown, Battery.....39

Strap, Wire.....73
 Strut, Front.....99
 Stud.....33, 49, 117
 Support, Box, Black.....37
 Support, Front Rack, Black, LH.....83
 Support, Front Rack, Black, RH.....83
 Support, Valve Rocker Shaft.....49
 Switch, 2 Position.....107
 Switch, 3 Position.....107
 Switch, Stoplight.....13
 Switch, Winch.....123
 Switch, Worklight, On/Off.....77

WRENCH, BOX 125MM.....105
 Wrench, Open, 12-14mm.....105
 WRENCH, OPEN, 8-10MM.....105
 Wrench, Torx.....105

Yoke.....85, 87

T

Tailgate.....37
 Tank, Oil.....81
 Tank, Surge.....29
 Thermostat.....67
 Tie Rod.....95
 Tire, 25x11-10.....119
 Tire, 25x8-12.....117
 Tube, Handlebar, Black.....77
 Tube, Vent.....75

U

U-Clip.....29
 Union.....45, 49
 Unit, Oil Strainer.....61

V

Valve, 3-Way.....71
 Valve, Check.....43
 Valve, Drain.....29
 Valve, Exhaust.....53
 Valve, Intake.....53
 Valve, Needle, 1.5.....41
 Valve, One Way.....45
 Valve, Rim.....117, 119
 Valve, Throttle, 100.....41
 Vent.....107
 Vent, Tank.....71

W

Washer.....17, 19, 21, 23, 37, 41, 47, 57, 61, 65,
 69, 75, 81, 93, 95, 97, 99, 101, 103, 107, 109,
 117, 119
 Washer, .020.....25
 Washer, .025.....25
 Washer, .030.....25
 Washer, Cone.....119
 Washer, Dome.....25
 Washer, Flat.....5, 7, 9, 19, 21, 29, 57, 67, 81, 93,
 99, 101, 103, 111
 Washer, Lock.....57
 Washer, Nylon.....81, 107
 Washer, Plug.....75
 Washer, Rubber.....37, 69
 Washer, Seal.....67
 Washer, Split Lock.....29
 Washer, Spring Lock.....7, 9, 25, 49, 57, 95, 97,
 99, 121
 Washer, Thrust.....109
 Weight, Shift, 10-MH.....23
 Winch, Warn.....121
 Wrench, 1/2 x 9/16.....105

* Do not Copy - Military Use Only *
www.militaryatvparts.com



POLARIS[®]
The Way Out.

Polaris Industries, Inc.
2100 Highway 55
Medina, MN 55340
(763) 417-8650

www.polarisindustries.com
