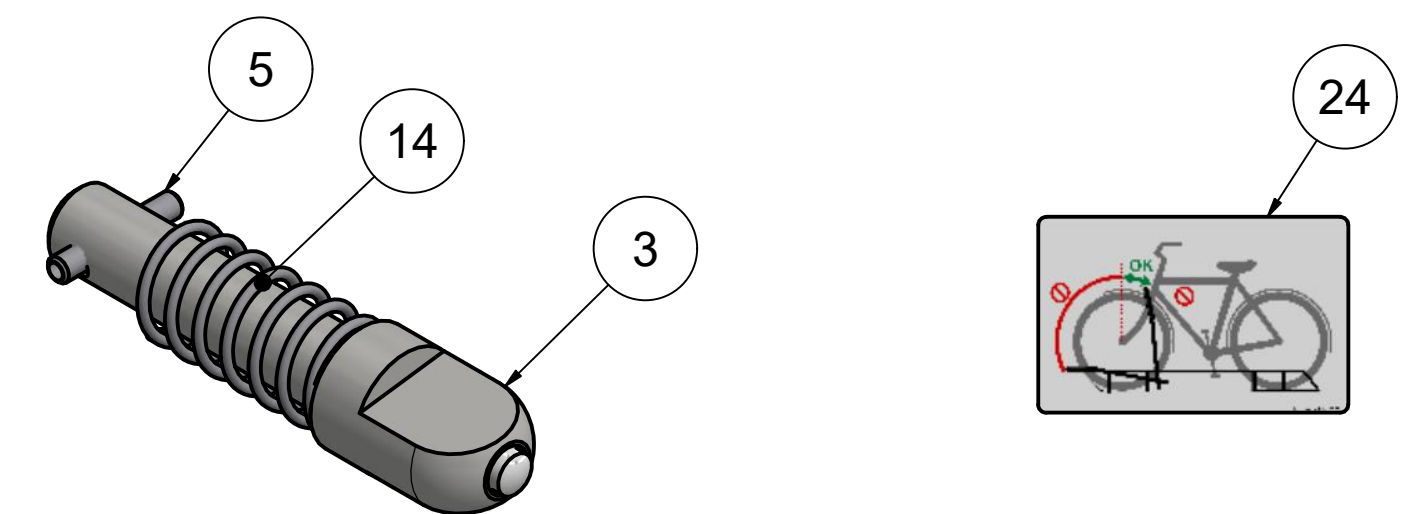


PARTS LIST - 4-DIGIT P/Ns ARE NOT SET UP FOR SALE. CONTACT SPORTWORKS FOR REPLACEMENT P/Ns

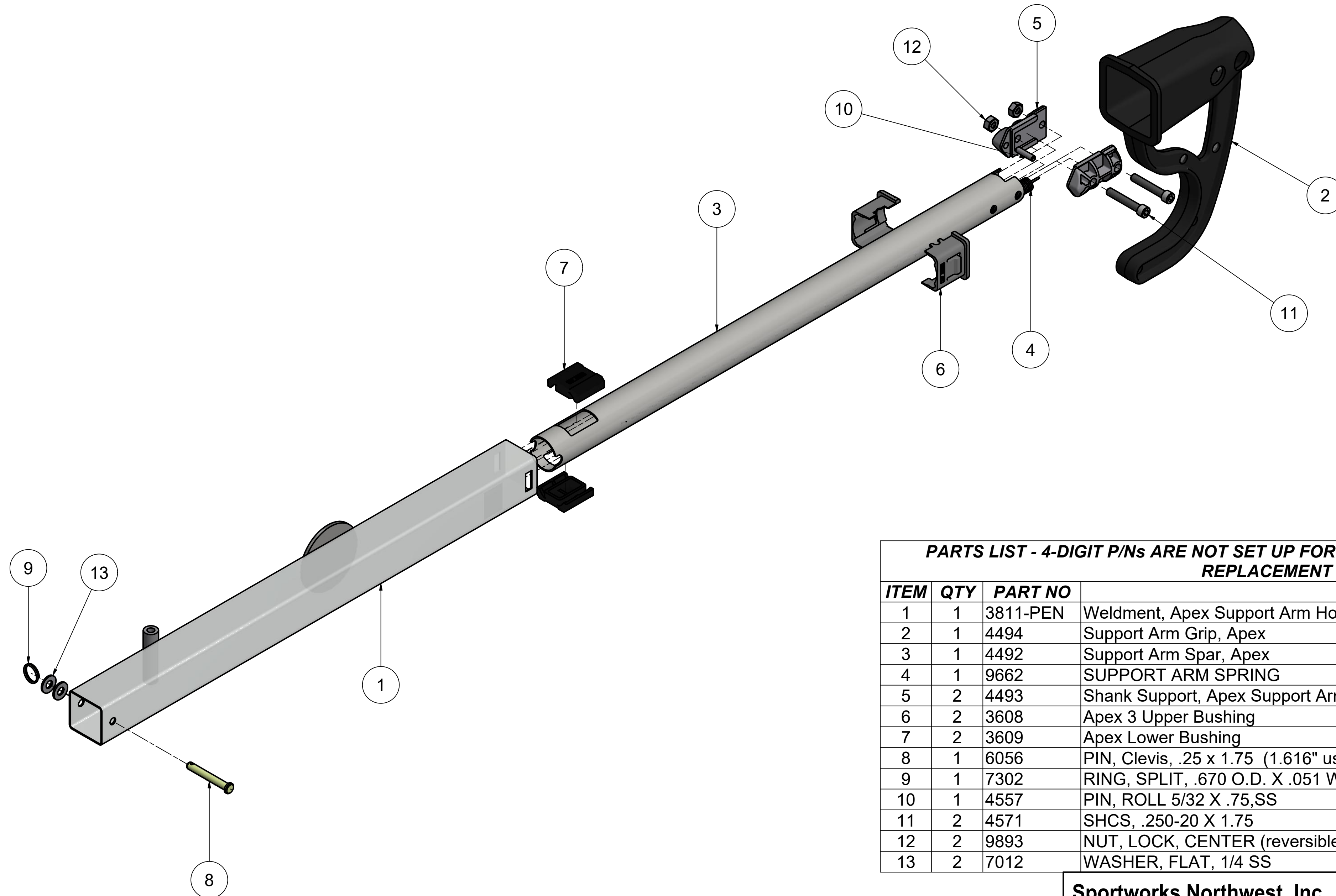
| ITEM | QTY | PART NO | TITLE |
|------|-----|----------|---|
| 1 | 1 | 2332-PEN | Weldment, Apex 3 RL Bike Rack, SS Tubular Frame, Anti-Glare Finish |
| 2 | 3 | 6147-PEN | Apex Saddle Wheel Tray Weldment, Stainless, Bead Blast |
| 3 | 1 | 3604 | Apex Latch Pin Sub-Assy |
| 4 | 1 | 2335 | Sub Assy, Apex 3 RL Black Latch Handle |
| 5 | 1 | 5205 | PIN, ROLL, .15625 OD x .875, 18-8 Stainless, Import |
| 6 | 1 | 4489 | Support Arm Assembly, Apex RH SIDE OF TRAY |
| 7 | 2 | 4490 | Support Arm Assembly, Apex LH SIDE OF TRAY |
| 8 | 3 | 4675 | MAGNET, 45LB, Neodymium w/Stainless Steel Cup, 2.375" dia |
| 9 | 3 | 7010 | NUT, HEX, 10-32, Nylock, Stainless, Import |
| 10 | 3 | 7302 | RING, SPLIT, .670 O.D. X .051 WIRE DIA, SS |
| 11 | 3 | 5348 | PIN, Clevis, .25 x 2.793 (2-39/64" useable length), Alloy Steel, GR8, Yellow Zinc |
| 12 | 2 | 4488 | Strap, Apex Tray Mount |
| 13 | 12 | 7012 | WASHER, FLAT, 1/4 SS |
| 14 | 1 | 7068 | SPRING, Compression, Latch Pin, Stainless |
| 15 | 2 | 8046 | CAP, PLASTIC, ROUND, 1-1/4" |
| 16 | 12 | 6378 | BOLT, CARRIAGE, 1/4-20 x .750, Stainless, Import |
| 17 | 12 | 9893 | NUT, LOCK, CENTER (reversible), Deformed thread, 1/4-20, 18-8 Stainless |
| 18 | 3 | 7109 | LABEL, RACK CHAIN GUARD |
| 19 | 1 | 9682 | LABEL, Vehicle Racks Patent Decal w/Mfr. Info |
| 20 | 1 | 9803 | LABEL, # 1, Pull Handle to Stow Rack/ Push In & Pull Handle Up to Release and Lower |
| 21 | 3 | 9810 | LABEL No. 2, Front Wheel Here (English only) |
| 22 | 3 | 9811 | LABEL No. 3, PULL HOOK UP |
| 23 | 3 | 3537 | LABEL, MMT Support Arm Placement |
| 24 | 1 | 3575 | LABEL, MMT Support Arm Placement, For Bus Front Fascia |



LATCH PIN DETAIL

| | | | |
|--|---------|---------------------------------------|------------------|
| Sportworks Northwest, Inc. 15540 Woodinville-Redmond Rd. NE, Bldg A-200 Woodinville, WA 98072, PH: 425-483-7000, FX: 425-488-9001 | TITLE | Apex 3 RL Parts and Options Breakdown | |
| | DWG NO. | 101395 | REV A |
| <small>PROPRIETARY: THIS IS PROPRIETARY INFORMATION AND IS NOT TO BE REFERENCED OR DISTRIBUTED WITHOUT PRIOR WRITTEN AUTHORIZATION OF SPORTWORKS NORTHWEST, INC.</small> | SIZE | C2B | NO DRAWING SCALE |
| | SHEET | 1 | OF 5 |

4490 SUPPORT ARM PARTS



PARTS LIST - 4-DIGIT P/Ns ARE NOT SET UP FOR SALE. CONTACT SPORTWORKS FOR REPLACEMENT P/Ns

| ITEM | QTY | PART NO | TITLE |
|------|-----|----------|---|
| 1 | 1 | 3811-PEN | Weldment, Apex Support Arm Housing, Shot Peened |
| 2 | 1 | 4494 | Support Arm Grip, Apex |
| 3 | 1 | 4492 | Support Arm Spar, Apex |
| 4 | 1 | 9662 | SUPPORT ARM SPRING |
| 5 | 2 | 4493 | Shank Support, Apex Support Arm Hook |
| 6 | 2 | 3608 | Apex 3 Upper Bushing |
| 7 | 2 | 3609 | Apex Lower Bushing |
| 8 | 1 | 6056 | PIN, Clevis, .25 x 1.75 (1.616" useable length), Alloy Steel, GR8, Zinc Plate |
| 9 | 1 | 7302 | RING, SPLIT, .670 O.D. X .051 WIRE DIA, SS |
| 10 | 1 | 4557 | PIN, ROLL 5/32 X .75,SS |
| 11 | 2 | 4571 | SHCS, .250-20 X 1.75 |
| 12 | 2 | 9893 | NUT, LOCK, CENTER (reversible), Deformed thread, 1/4-20, 18-8 Stainless |
| 13 | 2 | 7012 | WASHER, FLAT, 1/4 SS |

Sportworks Northwest, Inc.

15540 Woodinville-Redmond Rd. NE, Bldg A-200
Woodinville, WA 98072, PH: 425-483-7000, FX: 425-488-9001

PROPRIETARY: THIS IS PROPRIETARY INFORMATION AND IS NOT TO BE REFERENCED OR DISTRIBUTED WITHOUT PRIOR WRITTEN AUTHORIZATION OF SPORTWORKS NORTHWEST, INC.

TITLE

Apex 3 RL Parts and Options Breakdown

DWG NO.

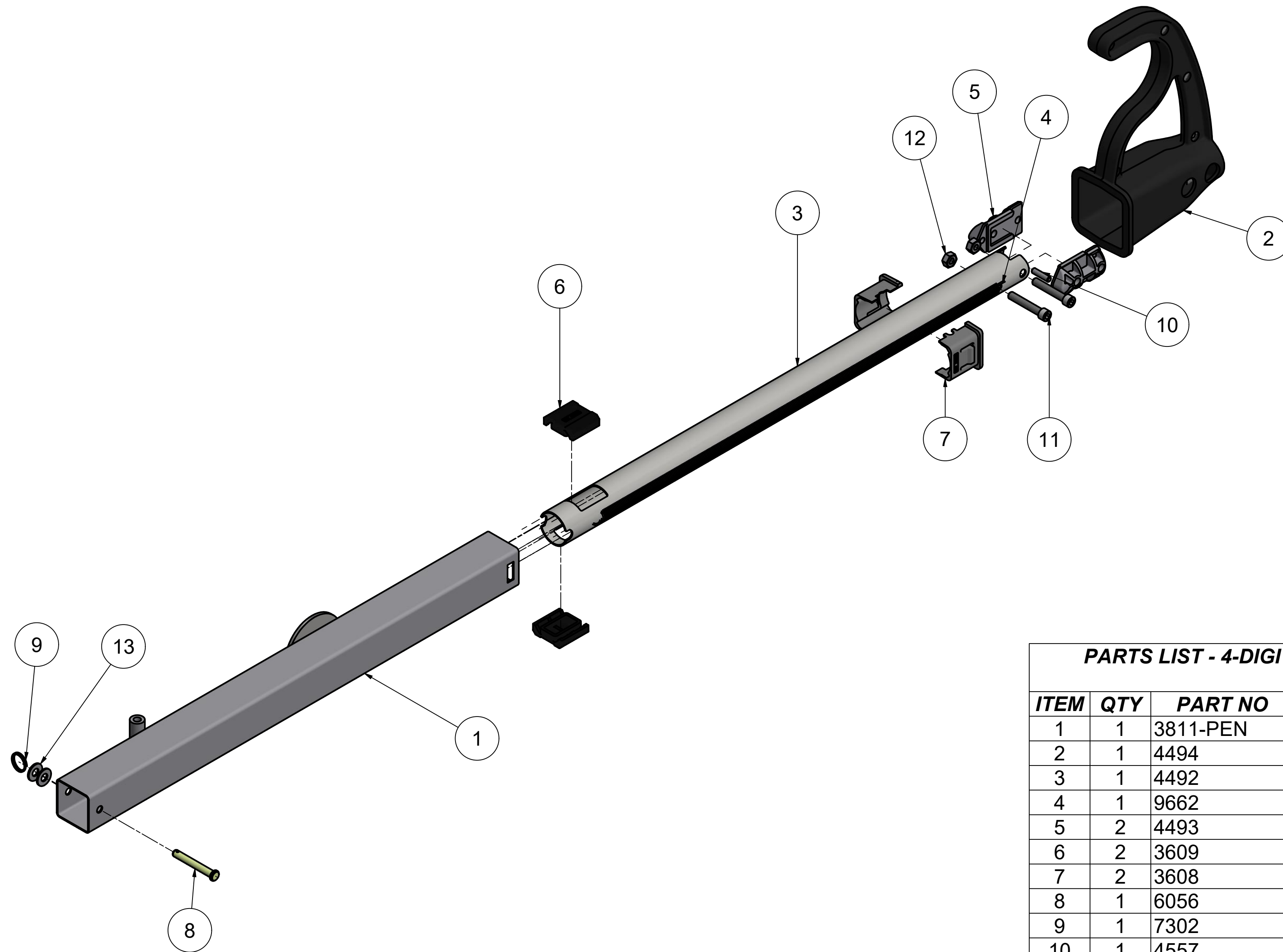
101395

REV

A

SIZE C2B | NO DRAWING SCALE | SHEET 2 OF 5

4489 SUPPORT ARM PARTS



PARTS LIST - 4-DIGIT P/Ns ARE NOT SET UP FOR SALE. CONTACT SPORTWORKS FOR REPLACEMENT P/Ns

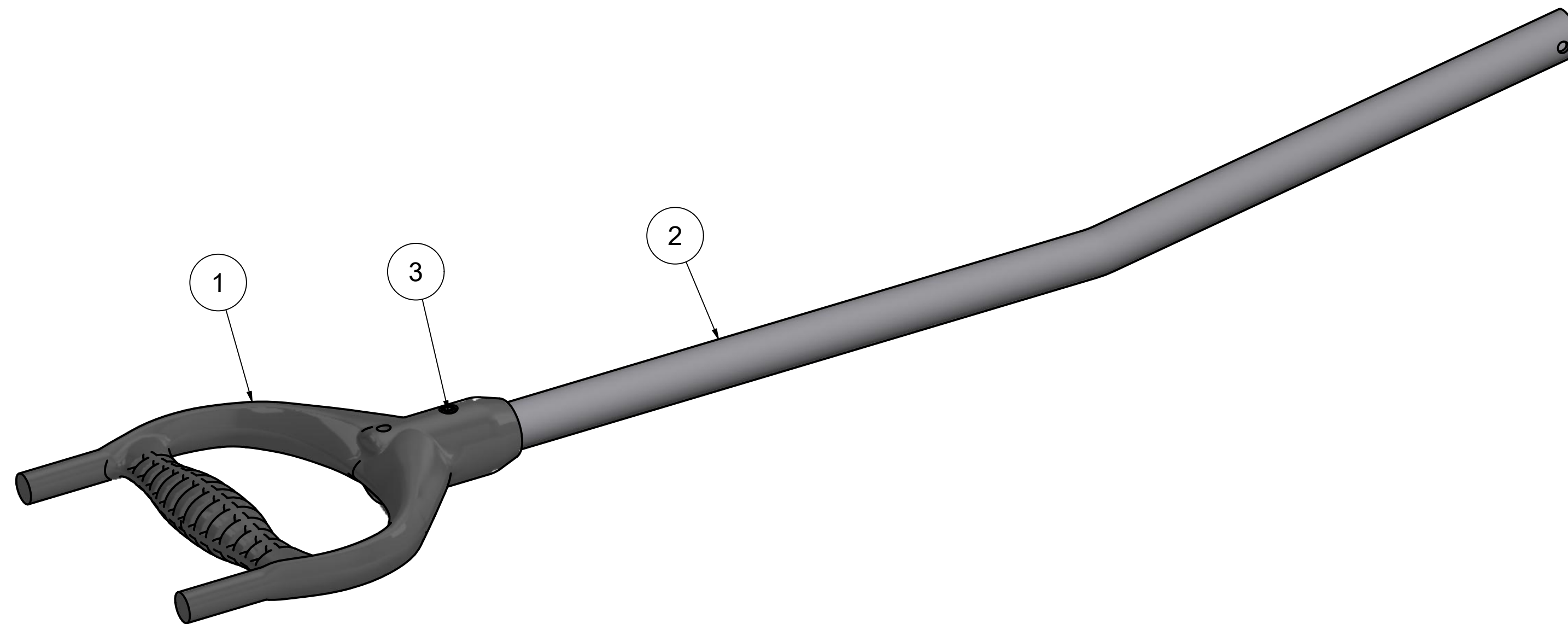
| ITEM | QTY | PART NO | TITLE |
|------|-----|----------|---|
| 1 | 1 | 3811-PEN | Weldment, Apex Support Arm Housing, Shot Peened |
| 2 | 1 | 4494 | Support Arm Grip, Apex |
| 3 | 1 | 4492 | Support Arm Spar, Apex |
| 4 | 1 | 9662 | SUPPORT ARM SPRING |
| 5 | 2 | 4493 | Shank Support, Apex Support Arm Hook |
| 6 | 2 | 3609 | Apex Lower Bushing |
| 7 | 2 | 3608 | Apex 3 Upper Bushing |
| 8 | 1 | 6056 | PIN, Clevis, .25 x 1.75 (1.616" useable length), Alloy Steel, GR8, Zinc Plate |
| 9 | 1 | 7302 | RING, SPLIT, .670 O.D. X .051 WIRE DIA, SS |
| 10 | 1 | 4557 | PIN, ROLL 5/32 X .75,SS |
| 11 | 2 | 4571 | SHCS, .250-20 X 1.75 |
| 12 | 2 | 9893 | NUT, LOCK, CENTER (reversible), Deformed thread, 1/4-20, 18-8 Stainless |
| 13 | 2 | 7012 | WASHER, FLAT, 1/4 SS |

| | |
|--|--|
| Sportworks Northwest, Inc. 15540 Woodinville-Redmond Rd. NE, Bldg A-200 Woodinville, WA 98072, PH: 425-483-7000, FX: 425-488-9001 <small>PROPRIETARY: THIS IS PROPRIETARY INFORMATION AND IS NOT TO BE REFERENCED OR DISTRIBUTED WITHOUT PRIOR WRITTEN AUTHORIZATION OF SPORTWORKS NORTHWEST, INC.</small> | TITLE Apex 3 RL Parts and Options Breakdown |
| | DWG NO. 101395 |
| REV A | |
| SIZE C2B NO DRAWING SCALE SHEET 3 OF 5 | |

PARTS LIST - 4-DIGIT P/Ns ARE NOT SET UP FOR SALE. CONTACT SPORTWORKS FOR REPLACEMENT P/Ns

| ITEM | QTY | PART NO | TITLE |
|------|-----|---------|--|
| 1 | 1 | 5406 | Molded Latch Handle - Black |
| 2 | 1 | 2334 | Tube, Apex 3 RL Latch Handle |
| 3 | 1 | 5235 | PIN, ROLL, .1875 x 1, 18-8 Stainless, Import |

2335 LATCH HANDLE PARTS



Sportworks Northwest, Inc.

15540 Woodinville-Redmond Rd. NE, Bldg A-200
Woodinville, WA 98072, PH: 425-483-7000, FX: 425-488-9001

PROPRIETARY: THIS IS PROPRIETARY INFORMATION AND IS NOT TO BE REFERENCED OR DISTRIBUTED WITHOUT PRIOR WRITTEN AUTHORIZATION OF SPORTWORKS NORTHWEST, INC.

TITLE

Apex 3 RL Parts and Options Breakdown

DWG NO.

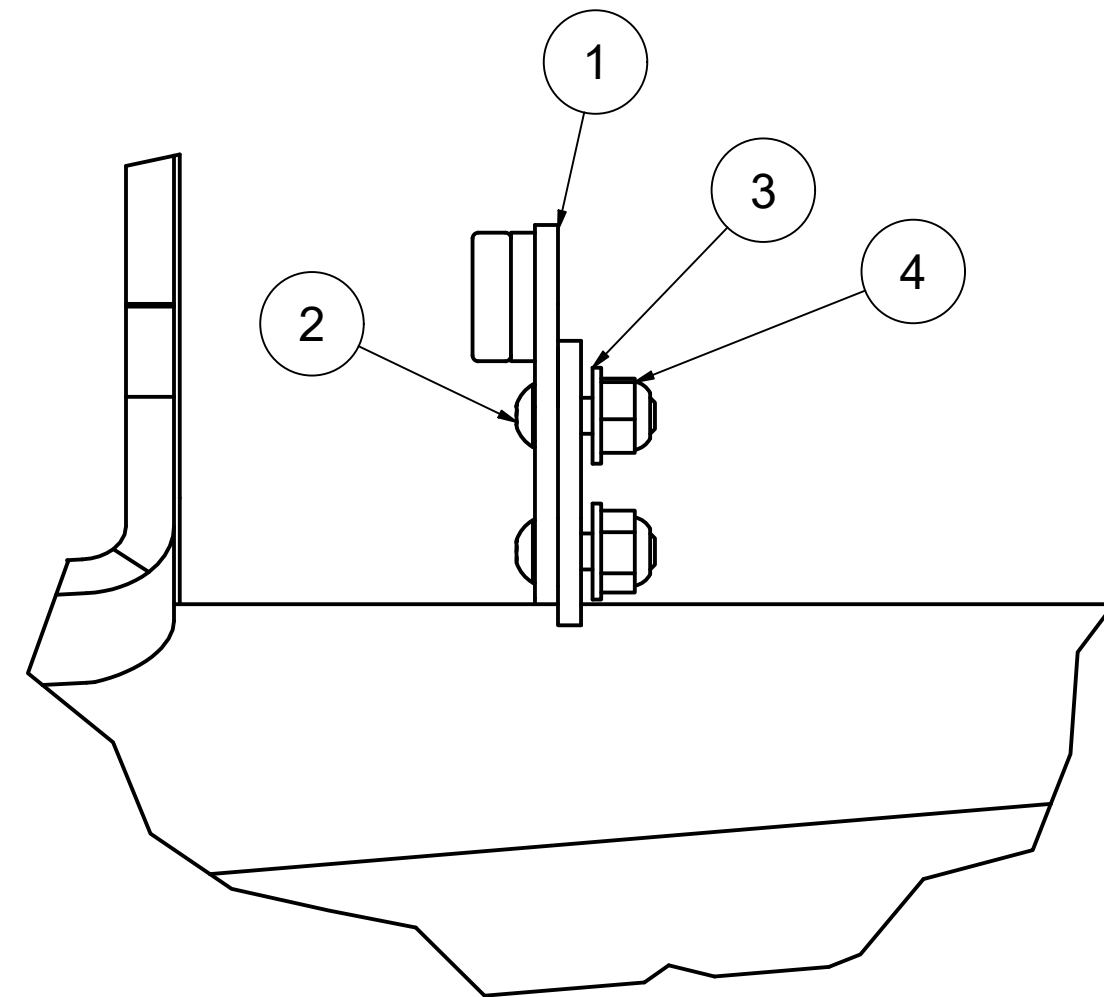
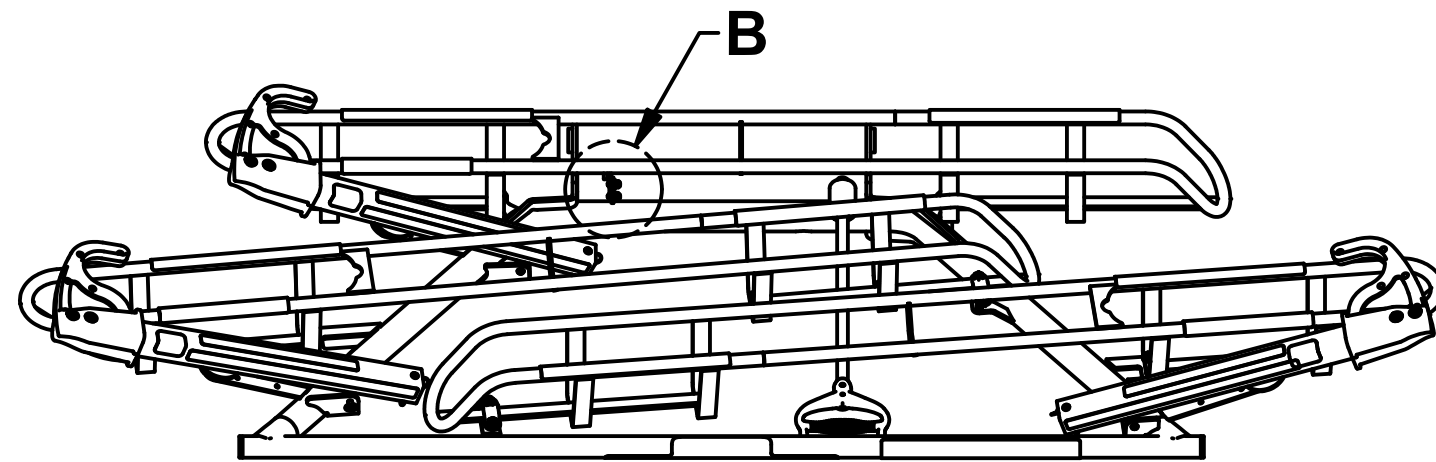
101395

REV

A

SIZE C2B | NO DRAWING SCALE | SHEET 4 OF 5

DEPLOYMENT KIT PARTS (-DPLY OPTION)



DETAIL "B"

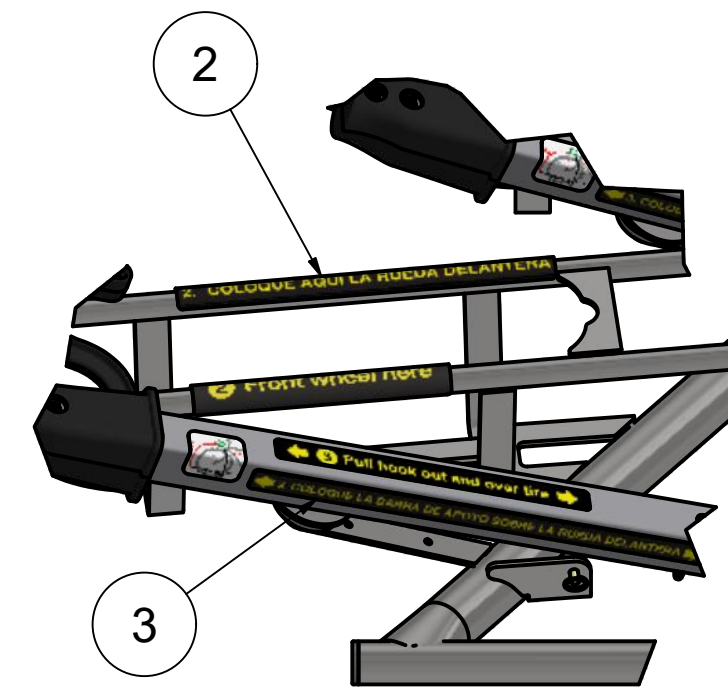
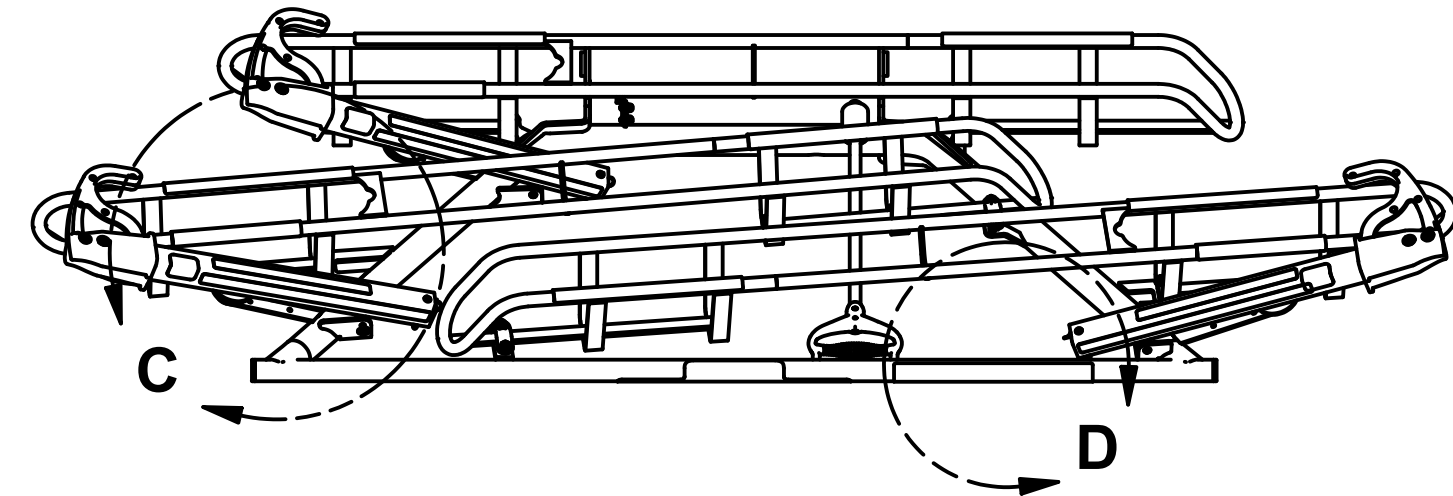
PARTS LIST - 4-DIGIT P/Ns ARE NOT SET UP FOR SALE. CONTACT SPORTWORKS FOR REPLACEMENT P/Ns

| ITEM | QTY | PART NO | TITLE |
|------|-----|---------|--|
| 1 | 1 | 6239 | Magnet Subassembly, Apex Deployment Kit |
| 2 | 2 | 7511 | BHCS, 10-32 x .625, Stainless, Import |
| 3 | 2 | 7159 | WASHER, FLAT, #10, SAE, Stainless, Import |
| 4 | 5 | 7010 | NUT, HEX, 10-32, Nylock, Stainless, Import |

NOTES

1. TO COMPLETE THE DEPLOYMENT SENSOR SYSTEM, THE APEX PIVOT PLATE MUST ALSO BE SPECIFIED WITH THE -DPLY OPTION

SPANISH LABEL PARTS (-SPAN OPTION)



DETAIL "C"



DETAIL "D"

PARTS LIST - 4-DIGIT P/Ns ARE NOT SET UP FOR SALE. CONTACT SPORTWORKS FOR REPLACEMENT P/Ns

| ITEM | QTY | PART NO | TITLE |
|------|-----|---------|--|
| 1 | 1 | 7624 | LABEL, 1., Bus Rack, Spanish |
| 2 | 3 | 7625 | LABEL, 2., COLOQUE AQUI...(Spanish) |
| 3 | 3 | 7626 | LABEL, 3. COLOQUE LA BARRA...(Spanish) |

Sportworks Northwest, Inc.

15540 Woodinville-Redmond Rd. NE, Bldg A-200
Woodinville, WA 98072, PH: 425-483-7000, FX: 425-488-9001

PROPRIETARY: THIS IS PROPRIETARY INFORMATION AND IS NOT TO BE REFERENCED OR DISTRIBUTED WITHOUT PRIOR WRITTEN AUTHORIZATION OF SPORTWORKS NORTHWEST, INC.

TITLE

Apex 3 RL Parts and Options Breakdown

DWG NO.

101395

REV

A

SIZE C2B | NO DRAWING SCALE | SHEET 5 OF 5