



SPRAY CONTROL VALVES

Transland Valve Features Include:

- Stainless steel or cast aluminum
- Stainless steel or hard chrome-plated brass balls
- Teflon seals
- Viton O-Rings
- Instant on-off control of liquids
- Smooth operation
- Service kits for all models

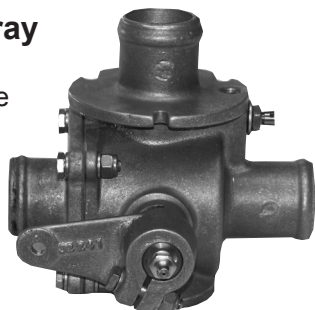
The 3-way ball valves are for pilot control of the spray system. In the off position, the liquid is recirculated in the hopper. At the same time, the venturi in the recirculating port is connected to the discharge port of the valve which applies negative pressure on the boom to reduce the pressure on the nozzle and eliminate trailing. Transland stainless steel and aluminum valves have the same balls and seals. Any new, improved stainless steel models will have the same basic components.

Manual Spray Control Valves

1½” Piper Pawnee

20360 Aluminum Spray Control Valve

For 1965 and later Pawnee and all conventional spray systems.



20361 Aluminum Spray Control Valve

For 1964 and earlier Pawnee. Similar to 20360.

Brass Ball: 42289
Weight: 4 lbs
Service Kit: 54006

2” Air Tractor, Ayres/Thrush

58384 Stainless Steel Spray Control Valve

For use on Air Tractor and early model Thrush. 2” Q.D. inlet port, 2” hose outlet port & 1½” return port.

Stainless Ball: 52465
Weight: 6 lbs. 4 oz.
Service Kit: 54509



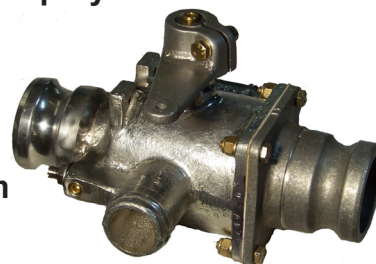
58384Q

Has Quick Disconnects on inlet and outlet

2” Air Tractor, Ayres/Thrush

20384 Aluminum Spray Control Valve

Brass Ball: 42465
Weight: 4 lbs.
Service Kit: 54001



22384 Aluminum Steel Spray Control Valve

Same as 58324Q but Aluminum
Has Quick Disconnects on inlet and outlet

2” Ayres/Thrush, Snow, Stearman

58882 Stainless Steel Spray Control Valve

For Thrush, Snow “C” & “D” models, and Stearman. 2” Q.D. inlet port, 2” hose outlet return port.

Stainless Ball: 52465
Weight: 7 lbs.
Service Kit: 54439



20882 Aluminum Spray Control Valve

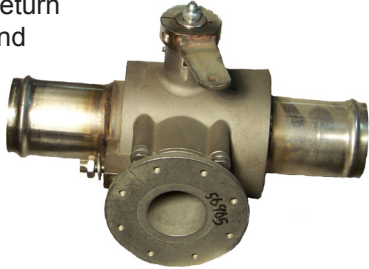
Brass Ball: 42465
Weight: 5 lbs.
Service Kit: 54001

2" Ag-Cat

58380 Stainless Steel Spray Control Valve

2" O.D. inlet & outlet hose connector ports, 1½" return hose connector port and adjustable suckback.

Stainless Ball: 52465
Weight: 7 lbs
Service Kit: 54439



20380 Aluminum Spray Control Valve

Brass Ball: 42465
Weight: 5 lbs
Service Kit: 54002

2" Ag-Cat

58324 Stainless Steel Spray Control Valve

For Ag-Cat "A" model serial no.s 1726-1731, "B" & "D" models serial no.s 1 & up.
2" Q.D. inlet at 25° & 2" hose outlet connector ports, 1½" return hose connector port and adjustable suckback.

Stainless Ball: 52465
Weight: 7.5 lbs
Service Kit: 54439

22324 Aluminum Spray Control Valve

Brass Ball: 42465
Weight: 5 lbs
Service Kit: 54002

2" Weatherly

59589 Stainless Steel Spray Control Valve

For model 620B (similar to 57789)
2" Q.D. inlet 2" hose outlet & 1½" return ports.

Stainless Ball: 52465
Weight: 7.5 lbs
Service Kit: 54439



2" Cessna

58383 Stainless Steel Spray Control Valve

For use on Air Tractor and early model Thrush.
2" Q.D. inlet port, 2" hose outlet & return ports.

Stainless Ball: 52465
Weight: 7 lbs.
Service Kit: 54439



20383 Aluminum Spray Control Valve

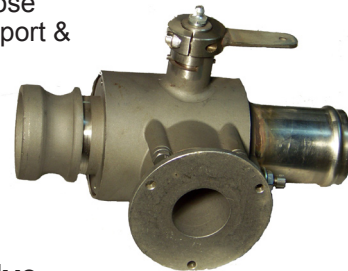
Brass Ball: 42465
Weight: 5 lbs.
Service Kit: 54001

2" Piper Pawnee

57789 Stainless Steel Spray Control Valve

For Thrush, Snow "C" & "D" models, and Stearman.
2" Q.D. inlet port, 2" hose outlet port, 1½" return port & adjustable suckback.

Stainless Ball: 52465
Weight: 7 lbs.
Service Kit: 54439



21589 Aluminum Spray Control Valve

Brass Ball: 42465
Weight: 5.5 lbs.
Service Kit: 54001

2" Callair, Snow

58381 Stainless Steel Spray Control Valve

For Callair A9, Super A9, Snow "C" and "D" models.
2" hose inlet & 2" hose outlet ports.

Stainless Ball: 52465
Weight: 7 lbs.
Service Kit: 54439

20381 Aluminum Spray Control Valve

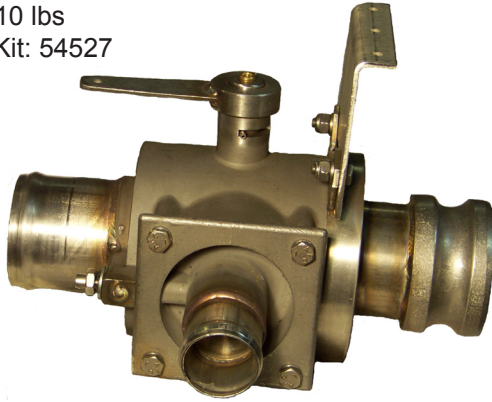
Brass Ball: 42465
Weight: 5 lbs.
Service Kit: 54001



2½" Air Tractor

58483 Stainless Steel Spray Control Valve
2½" Q.D. inlet, 2½" hose outlet & 1½" return ports.

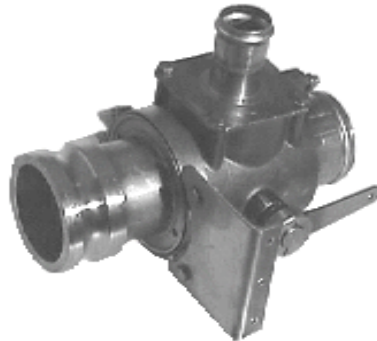
Stainless Ball: 52326
Weight: 10 lbs
Service Kit: 54527



3" Air Tractor

53384 Stainless Steel Spray Control Valve
3" Q.D. inlet, 3" hose outlet & 1½" return ports.

Stainless Ball: 52326
Weight: 10.5 lbs
Service Kit: 54474



3" Ayres/Thrush

22311 Aluminum Spray Control Valve
3" hose inlet and outlet ports.

Stainless Ball: 52326
Weight: 10.12 lbs.
Service Kit: 54526



53382 Stainless Steel Spray Control Valve
3" Q.D. inlet, 3" hose outlet and 1½" return ports.

Stainless Ball: 52326
Weight: 10.5 lbs.
Service Kit: 54474

3" Ag-Cat

53380 Stainless Steel Spray Control Valve
3" hose inlet and outlet ports and 1½" return port.

Stainless Ball: 52326
Weight: 10.5 lbs.
Service Kit: 54474

3" Cessna

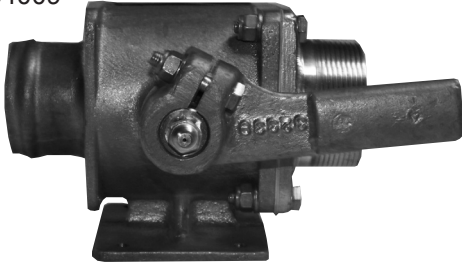
53383 Stainless Steel Spray Control Valve
3" Q.D. inlet, 3" hose outlet and 1½" return ports.

Stainless Ball: 52326
Weight: 10.5 lbs.
Service Kit: 54474

■ **Loader Valves**

20391 Aluminum Left Loader Valve

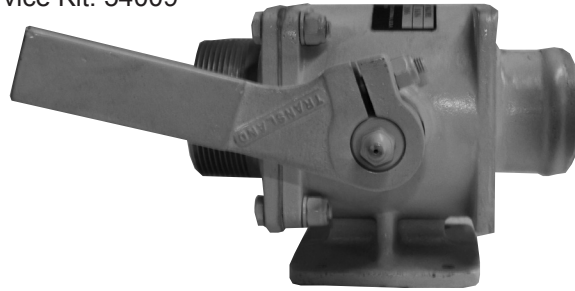
Weight: 4 lbs.
Service Kit: 54009



2" Ag-Cat

20393 Aluminum Loader Valve

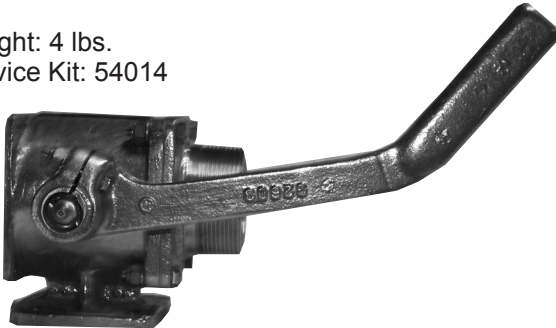
Weight: 5 lbs.
Service Kit: 54009



2" Air Tractor, Ayres/Thrush

22395 Aluminum Loader Valve

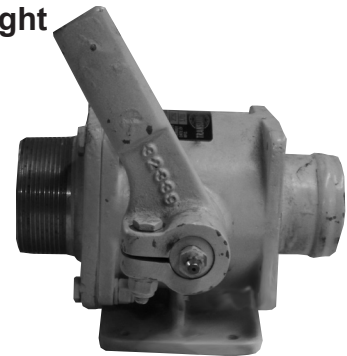
Weight: 4 lbs.
Service Kit: 54014



2" Cessna, Piper Brave

20392 Aluminum Right Loader Valve

Weight: 4 lbs.
Service Kit: 54009



2" Ag-Cat

22306 Aluminum Loader Valve

Weight: 5 lbs.
Service Kit: 54506



2" Piper Pawnee

20394 Aluminum Left Loader Valve

Weight: 5 lbs.
Service Kit: 54010



21039 Aluminum Loader Valve

Weight: 5 lbs.
Service Kit: 54009



20395 Aluminum Loader Valve

Weight: 4 lbs.
Service Kit: 54014



■ 3" Loader Valves for Air Tractor

Aluminum

24800 Left Hand Loader Valve

For models 402, 502 and 602.
3" NPT threaded inlet port
at 45°.

Ball: 57015
Weight: X lbs.
Service Kit: 54532



24801 Left Hand Loader Valve

For model 802.
3" NPT threaded straight inlet port.

Ball: 57015
Weight: X lbs.
Service Kit: 54532

24802 Right Hand Loader Valve

For model 802.
3" NPT threaded straight inlet port.

Ball: 57015
Weight: X lbs.
Service Kit: 54532

24803 Left Hand Loader Valve

For model 802.
3" Q.D. inlet port at 45°.

Ball: 57015
Weight: X lbs.
Service Kit: 54532



Aluminum

24804 Right Hand

For model 802.
3" Q.D. inlet port at 45°.

Ball: 57015
Weight: X lbs.
Service Kit: 54532



24805 Left Hand Loader Valve

For model 802.
3" NPT threaded inlet port at 45°.

Ball: 57015
Weight: X lbs.
Service Kit: 54532

24445 Left Hand Loader Valve

24446 Right Hand Loader Valve

For model 802A.
3" Q.D. straight inlet

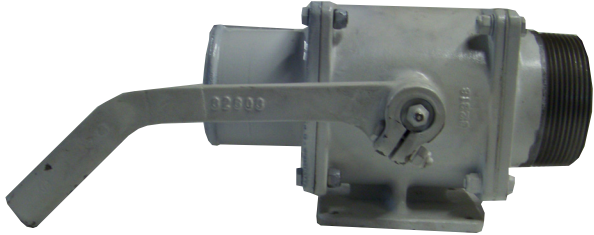
Ball: 57015
Weight: X lbs.
Service Kit: 54532



3" Ayres/Thrush

22310 Aluminum Loader Valve

Ball: 52326
Service Kit: 54533

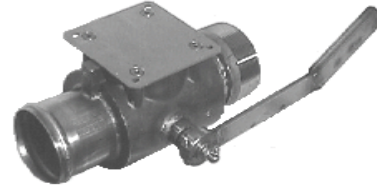


3" Ayres/Thrush

52313 Stainless Steel L.H. Loader Valve

3" NPT threaded inlet port and 3" hose outlet port.

Ball: 52326
Weight: 12 lbs.
Service Kit: 54534



22313 Aluminum L.H. Loader Valve

Ball: 52326
Weight: 12 lbs.
Service Kit: 54533

■ Butterfly Valves

(Gate Box to Pump emergency shut-off)

1½" Butterfly Valves

53622 All stainless steel construction.

2" Butterfly Valves

23623 Aluminum body, stainless disc & shaft.

53617 All stainless steel construction for Cessna.
Weight: 2 lbs.

53623 All stainless steel construction.
Weight: 1.75 lbs.



2½" Butterfly Valves

23624 Aluminum 14° male Q.D. with butterfly valve.



53624 Stainless steel 14° male Q.D. with butterfly valve

23626 Aluminum body, stainless disc, shaft and male Q.D. with butterfly valve.
Weight: 1.75 lbs.

53626 All stainless steel version of 23626..

3" Butterfly Valves

23625 Aluminum body, stainless disc & shaft. Standard on all new Air Tractors.



53625 All stainless steel version of 23625.
Weight: 1.5 lbs.

4" Butterfly Valves

53627 All stainless steel construction.

■ **Ball Boom Shut-Off Valves**

1½" Ball Boom Shut-Off Valve
58301 Stainless steel.

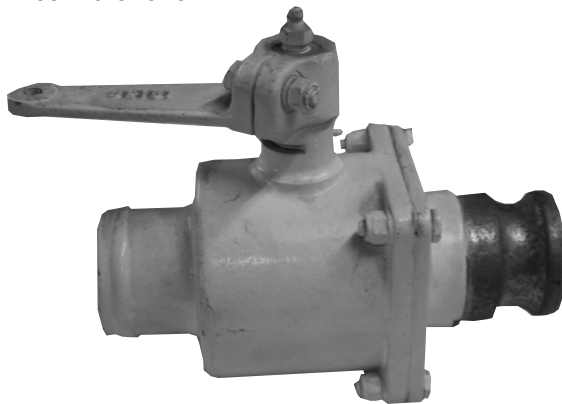
2" Ball Boom Shut-Off Valve
58302 Stainless steel.



■ **Shut-Off Valves**

2" Ag-Cat
20373 Aluminum Shut-Off Valve
1½" Q.D. outlet and 2" hose connector inlet.

Ball: 52338
Weight: 4 lbs.
Service Kit: 54010



2½" Ayres/Thrush
20879 Aluminum Shut-Off Valve
2½" Q.D. outlet and 2" hose connector inlet.
Use between gate box and pump.

Ball: 52338
Weight: 4 lbs.
Service Kit: 54010



50879 Stainless Steel Shut-Off Valve

Weight: 4.5 lbs.
Service Kit: 54502

■ **Boom Shut-Off Valve Cables** (for opening and closing the Boom Shut-Off valve)

25119 Push/Pull Round Knob Cable
With round knob. 5 feet long.

25122 Push/Pull Round Knob Cable
With round knob. 6 feet long.

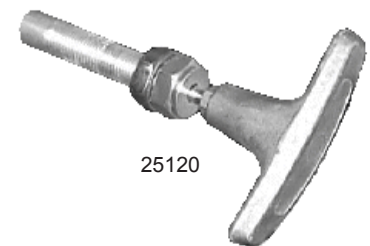
25118 Push/Pull T-Handle Cable
With locking T-Handle. 4½ feet long.

25120 Push/Pull T-Handle Cable
With locking T-Handle. 5 feet long.

25121 Push/Pull T-Handle Cable
With locking T-Handle. 6 feet long.

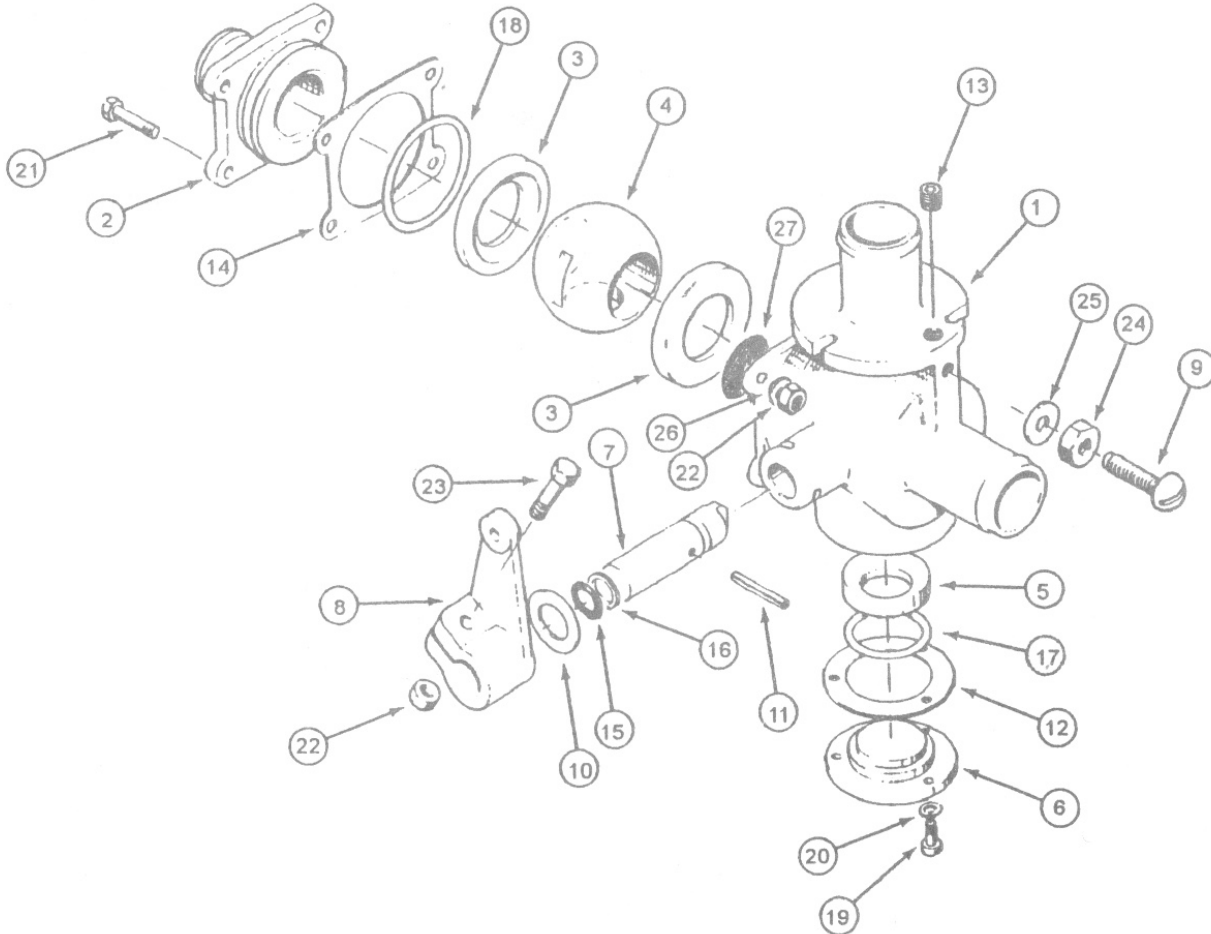
25123 Push/Pull T-Handle Cable
With locking T-Handle. 8 feet long.

25124 Push/Pull T-Handle Cable
With locking T-Handle. 7 feet long.





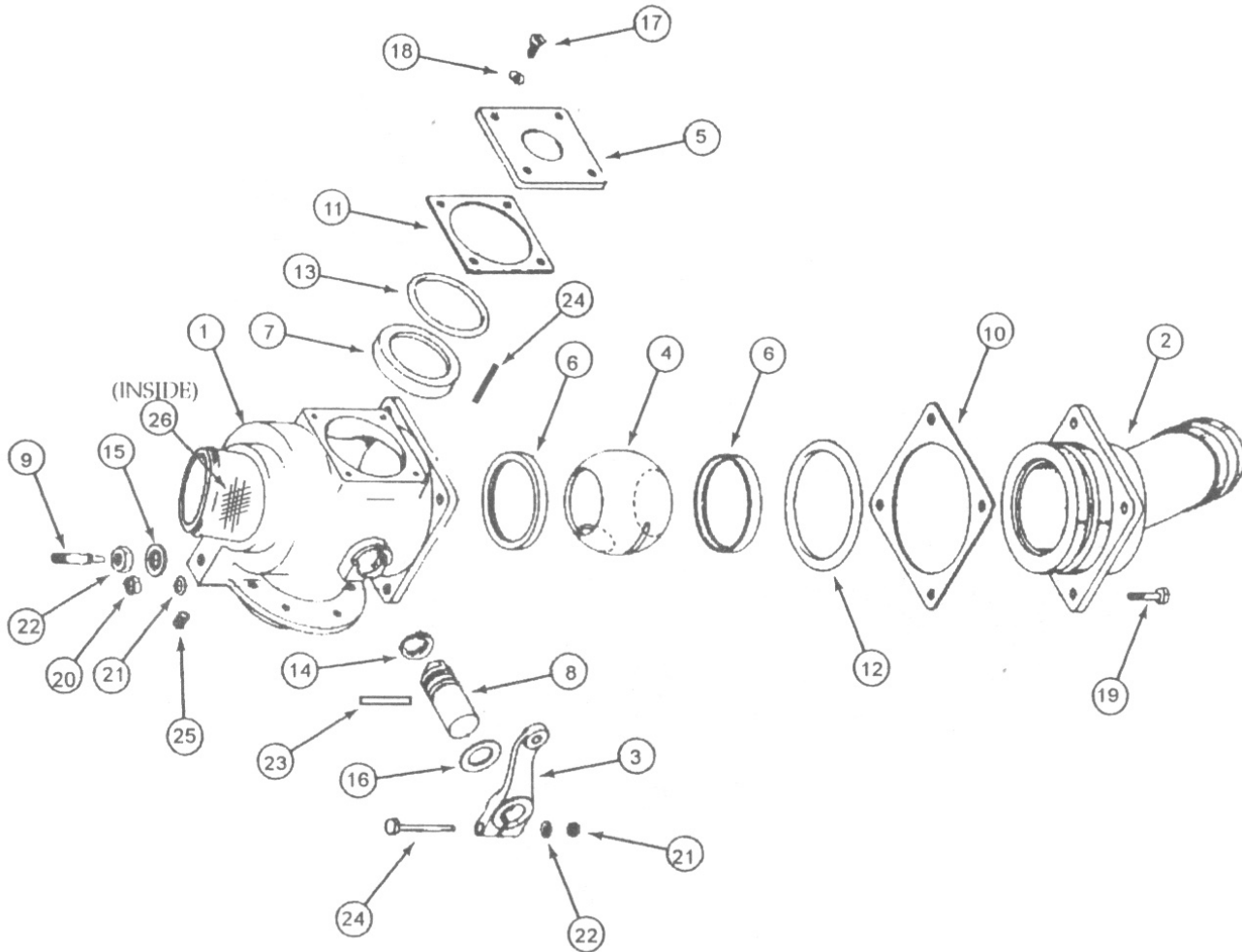
Parts Breakdown for 20360 & 20361 1½” Aluminum Manual Spray Control Valves



ITEM	PART NO.	DESCRIPTION	QTY	ITEM	PART NO.	DESCRIPTION	QTY
1	42353	Body (20360)	1	17	81610	O Ring	1
1	42286	Body (20361)	1	18	81620	O Ring (20360)	1
2	42354	Cap (20360)	1	18	81620	O Ring (20361)	2
2	42287	Cap (20361)	1	19	80800	Screw	3
3	60054	Seal	2	20	81202	Lockwasher	3
4	52289	Ball	1	21	80111	Bolt	4
5	60053	Seal	1	22	80558	Nut	5
6	42293	Cover Plate	1	23	80115	Bolt	1
7	40118	Shaft	1	24	80536	Nut	1
8	42241	Arm	1	25	85694	Stat-O-Seal	1
9	40119	Screw	1	26	81228	Washer	1
10	60049	Washer	1	27	11000	Screen	1
11	86310	Roll Pin	1	---	54006	Seal Kit includes:	
12	60052	Bottom Shim	A/R			3 ea. items 12, 14;	
13	81276	Plug	1			2 ea. items 3;	
14	60051	Rear Shim	A/R			1 ea. items 5, 10, 15, 16,	
15	81603	O Ring	1			17, 18, 25	
16	82069	Backup Ring (@ overhaul only)	1				



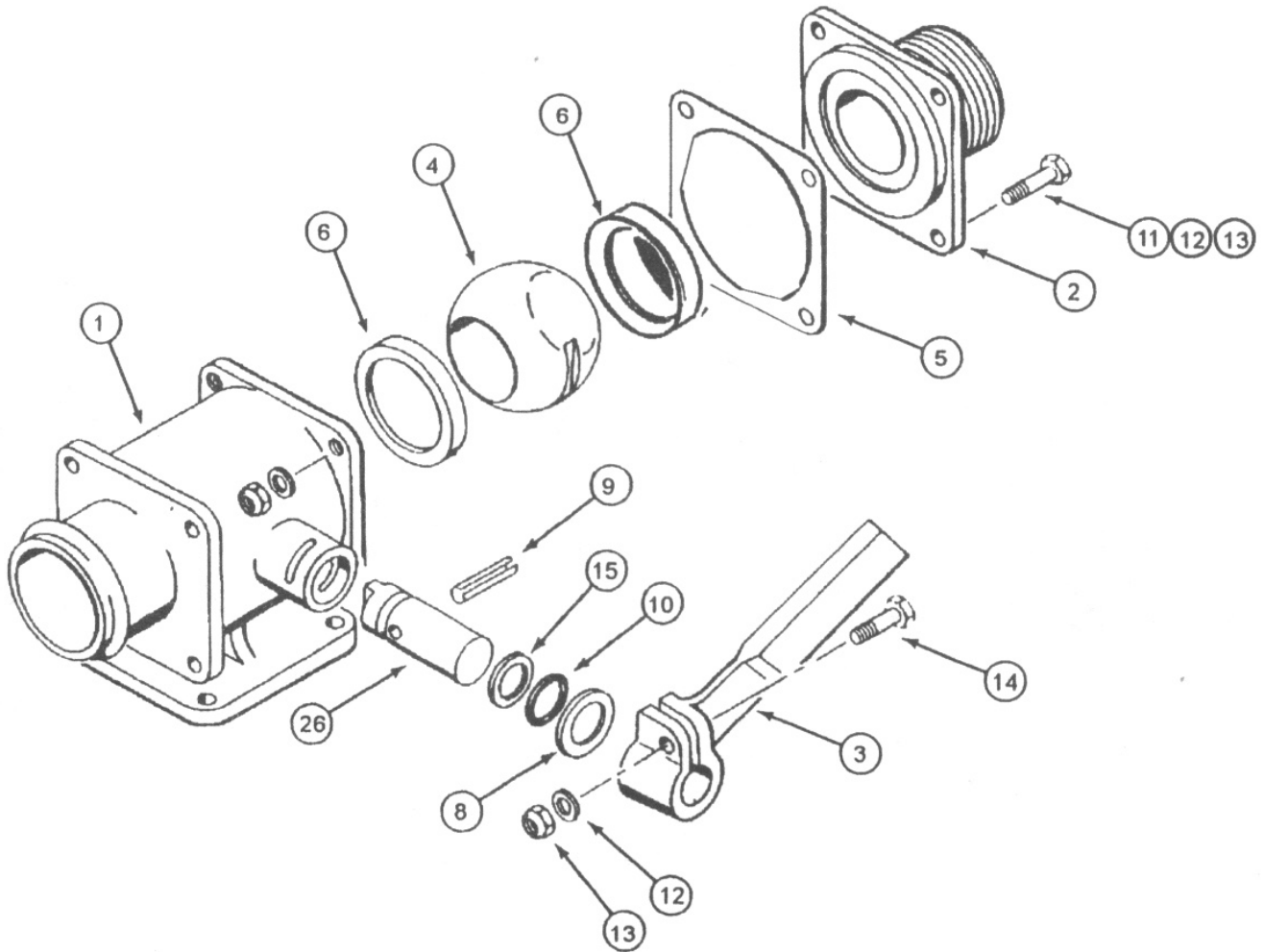
Parts Breakdown for 22324 2" Aluminum Spray Control Valve



ITEM	PART NO.	DESCRIPTION	QTY	ITEM	PART NO.	DESCRIPTION	QTY
1	40034	Body	1	14	81603	O Ring, Vinton	1
2	42771	Cap	1	15	85694	Thread, Seal 7500	1
3	40033	Handle	1	16	60049	Washer, Black Fiber	4
4	42306	Ball	1	17	80814	Screw (AN500-416-8)	4
5	42342	Cap, Retainer Plate	1	18	81203	Washer	4
6	61498	Seal, Teflon	2	19	80112	Bolt (AN4C-10A)	4
7	60046	Seal, Teflon	1	20	80569	Nut (AN363-1032)	5
8	41000	Shaft	1	21	81218	Washer	5
9	40119	Screw Adjust	1	22	80552	Nut (AN340-516)	1
10	60047	Shim, Paper	1	23	86310	Spring Pin	2
11	60048	Shim, Paper	1	24	80027	Bolt (AN3-15A)	1
12	81623	O Ring, Vinton	1	25	81276	Pipe Plug Brass 1/8"	1
13	81614	O Ring, Vinton	1	26	10615	Screen 40 Mesh	1



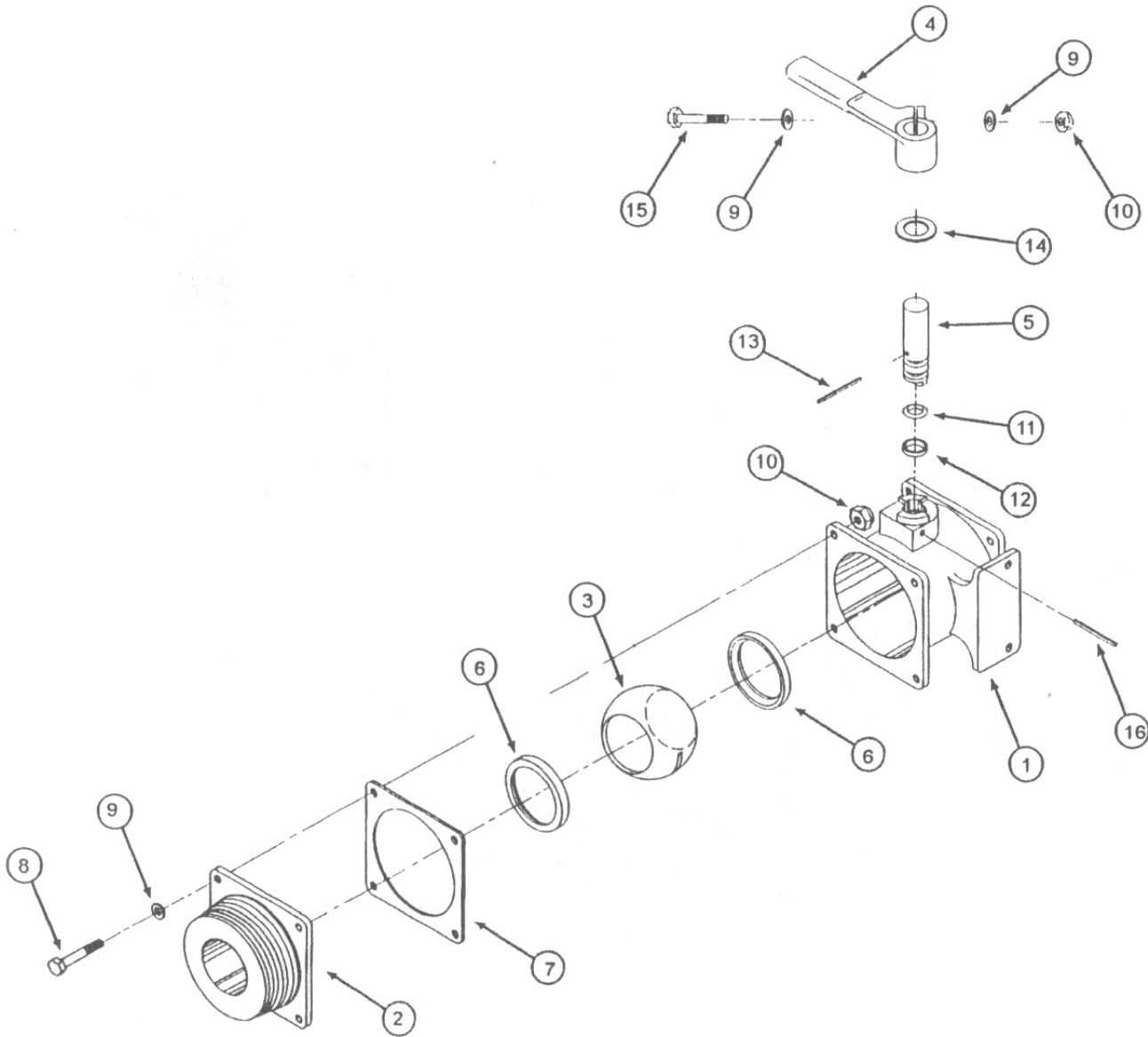
Parts Breakdown for 20391, 20392, 20393, 20394 & 20395 2" Aluminum Loader Valves



ITEM	PART NO.	DESCRIPTION	QTY	ITEM	PART NO.	DESCRIPTION	QTY
1	42400	Body, LH (20391)	1	7	40118	Shaft	1
1	42441	Body, RH (20392, 20393)	1	8	60049	Washer	1
1	42335	Body (20394)	1	9	86310	Roll Pin	1
1	42604	Body (20395)	1	10	81603	O Ring	1
2	42336	Cap (20391, 20392, 20393, 20394)	1	11	80111	Bolt	4
2	42605	Cap (20395)	1	12	81228	Washer	5
3	42339	Arm (20391, 20392, 20394)	1	13	80558	Nut	5
3	42795	Arm (20393)	1	14	80115	Bolt	1
3	42603	Arm (20395)	1	15	82069	Backup Ring (@ overhaul only)	1
4	42338	Ball (except 20395)	1		54009	Seal Kit (20391, 20392, 20393)	
4	42305	Ball (20395)	1		54010	Seal Kit (20394)	
5	60047	Shim	A/R		54014	Seal Kit (20395)	
6	60045	Seal (except 20395)	2				
6	60075	Seal (20395)	2				



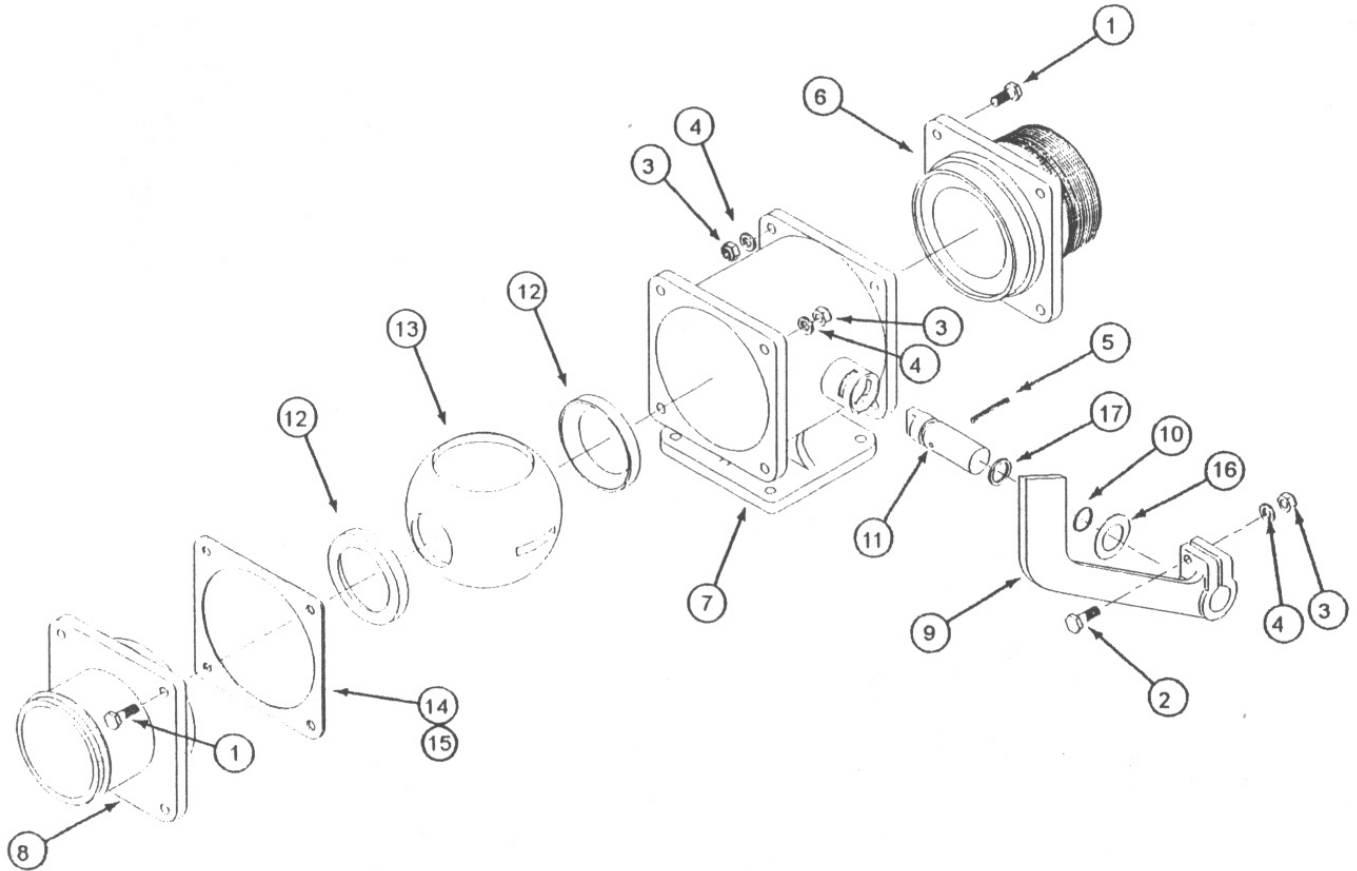
Parts Breakdown for 22306 2" Aluminum Loader Valve



ITEM	PART NO.	DESCRIPTION	QTY	ITEM	PART NO.	DESCRIPTION	QTY
1	42454	Body	1	9	81230	Washer	6
2	42615	Cap	1	10	80559	Nut	5
3	42305	Ball	1	11	82069	Backup Ring	1
4	42339	Arm	1	12	81603	O Ring	1
5	41001	Shaft	1	13	86310	Spring Pin	1
6	61499	Seal	2	14	60049	Washer	1
7	60047	Shim	1	15	80116	Bolt	1
8	80112	Bolt	4				



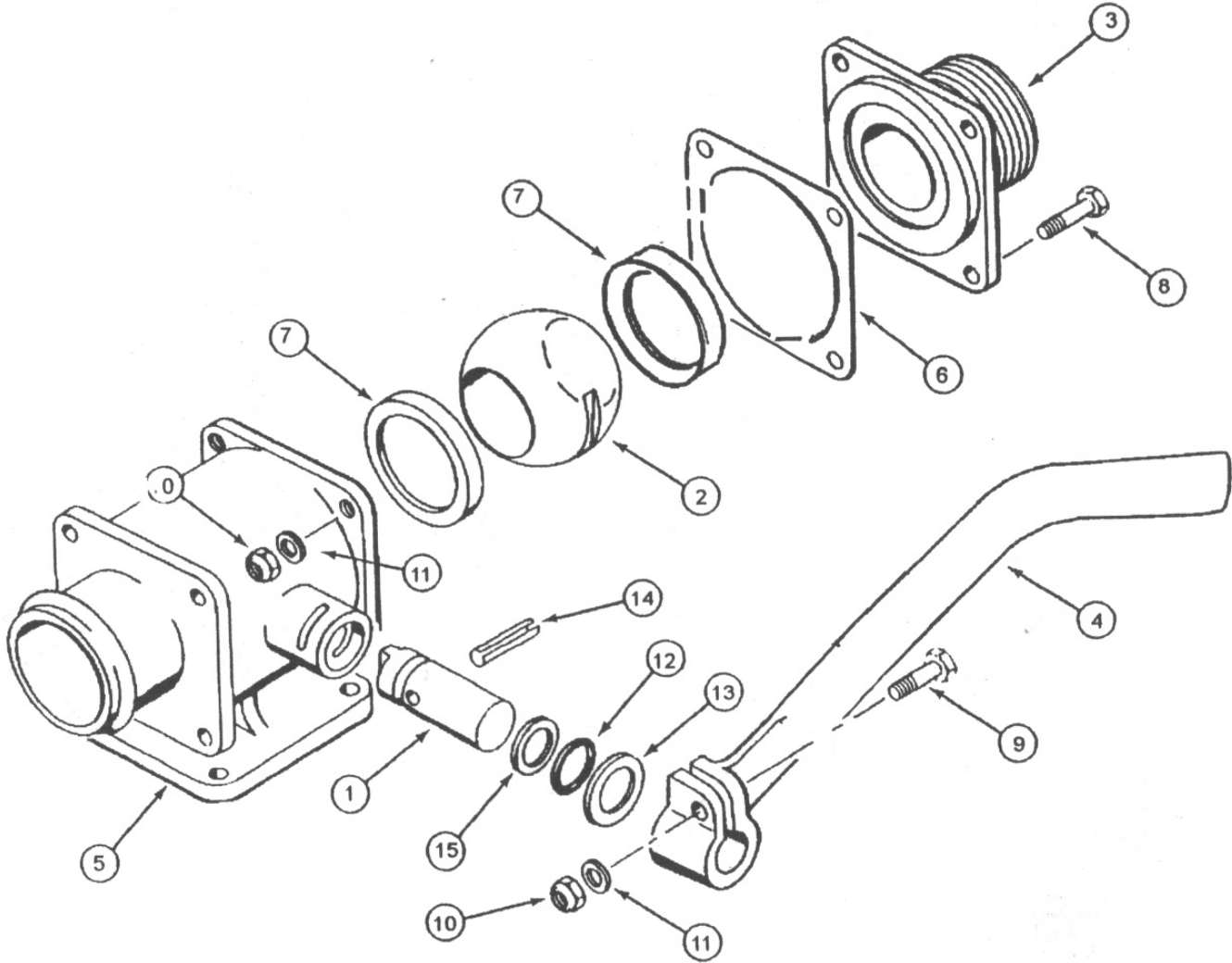
Parts Breakdown for 22313 3" Aluminum Bottom Loader Valve



ITEM	PART NO.	DESCRIPTION	QTY	ITEM	PART NO.	DESCRIPTION	QTY
1	80114	Bolt	8	10	81603	O Ring	1
2	80115	Bolt	7	11	40118	Shaft	1
3	80558	Nut	9	12	60780	Seal	2
4	81228	Washer	9	13	42326	Ball	1
5	86310	Spring Pin	1	14	60791	Gasket	3
6	42317	Fitting	1	15	60792	Gasket	3
7	45318	Body	1	16	60049	Washer	1
8	42323	Fitting, Hose	1	17	82069	Backup Ring	1
9	42603	Arm	1				



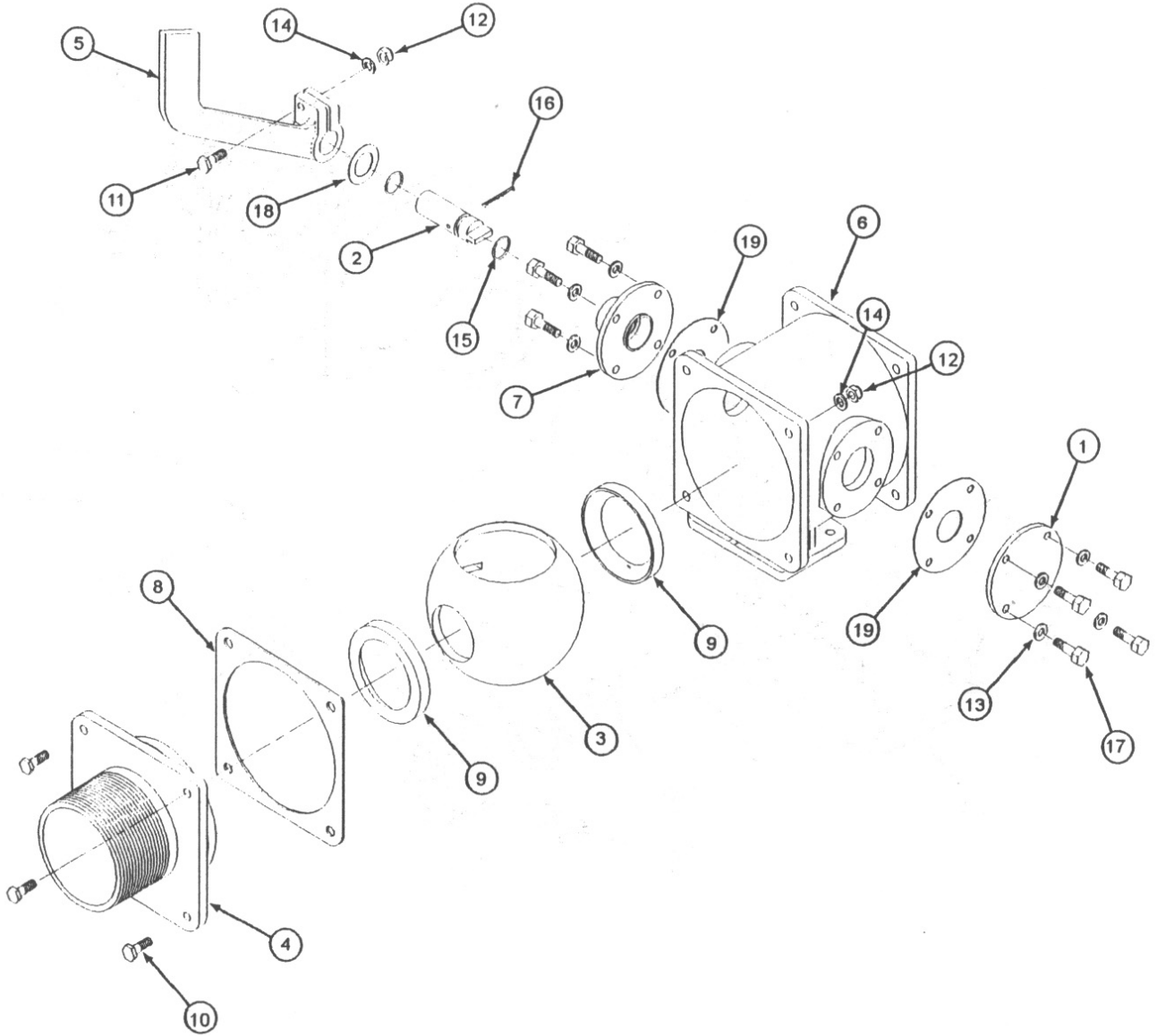
Parts Breakdown for 22395 2" Aluminum Loader Valve



ITEM	PART NO.	DESCRIPTION	QTY	ITEM	PART NO.	DESCRIPTION	QTY
1	40118	Shaft	1	8	80111	Bolt	4
2	42305	Ball	1	9	80115	Bolt	1
3	42452	Cap	1	10	80558	Nut	5
4	42603	Arm	1	11	81228	Washer	5
5	42604	Body	1	12	81603	O Ring	1
6	60047	Shim	4	13	60049	Washer	1
7	60075	Seal	2	14	86310	Spring Pin	1
				15	82069	Backup Ring (if needed)	1



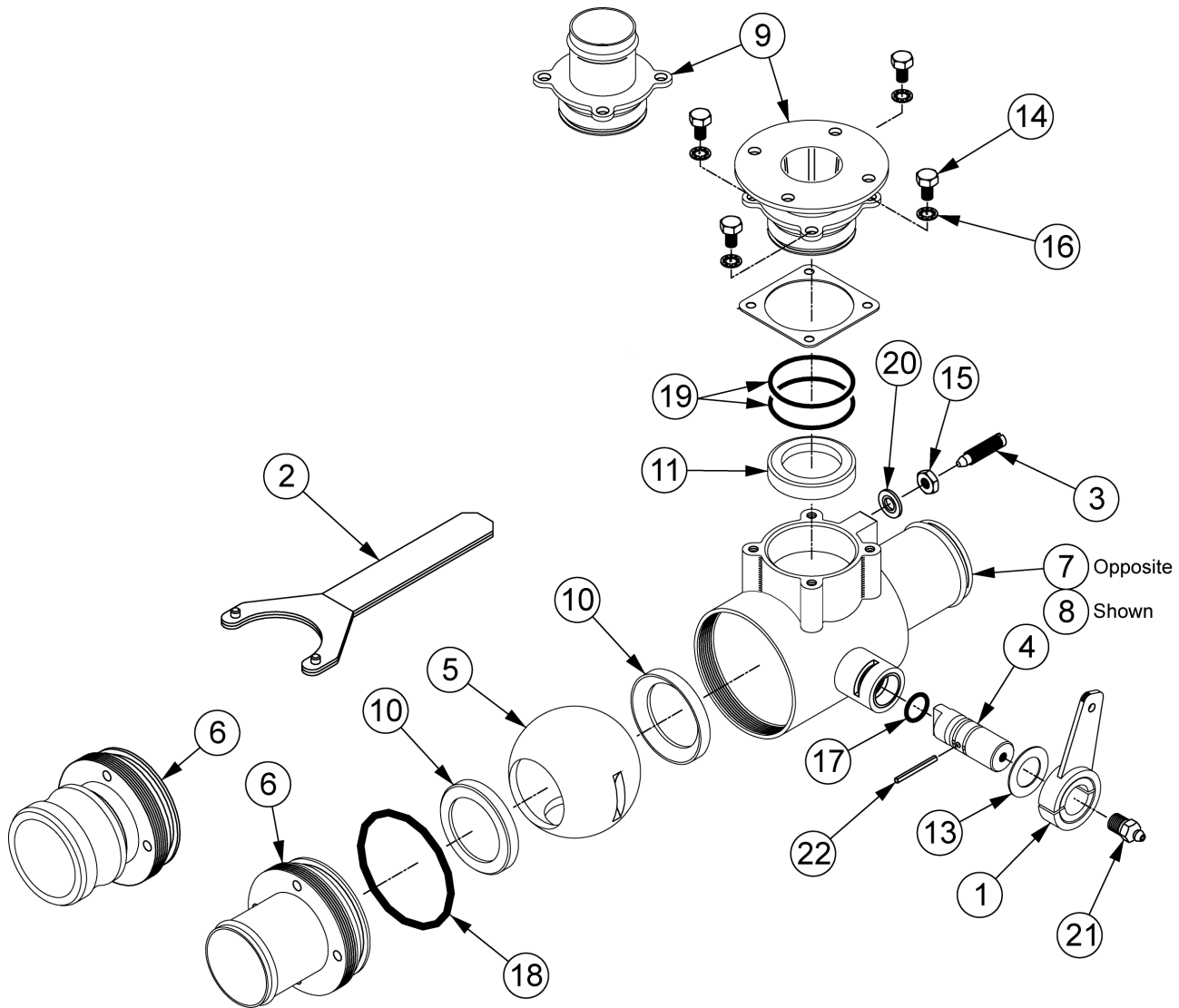
Parts Breakdown for 24445 (Left Hand) & 24446 (Right Hand) 3" Aluminum Loader Valves



ITEM	PART NO.	DESCRIPTION	QTY	ITEM	PART NO.	DESCRIPTION	QTY
1	14583	Plate-Plug	1	11	80115	Bolt	1
2	40118	Shaft	1	12	80559	Nut	5
3	57015	Ball	1	13	81197	Washer	12
4	42296	Cap	1	14	81230	Washer	5
5	42603	Arm	1	15	81603	O Ring	1
6	43297	Body	1	16	86310	Spring Pin	1
7	44366	Cap, Handle Mount	1	17	85653	Bolt	8
8	60762	Gasket	6	18	60049	Washer (24446)	1
9	60803	Seal	2	19	60767	Gasket	2
10	80114	Bolt	4	20	85035	3" Aluminum Adapter	1



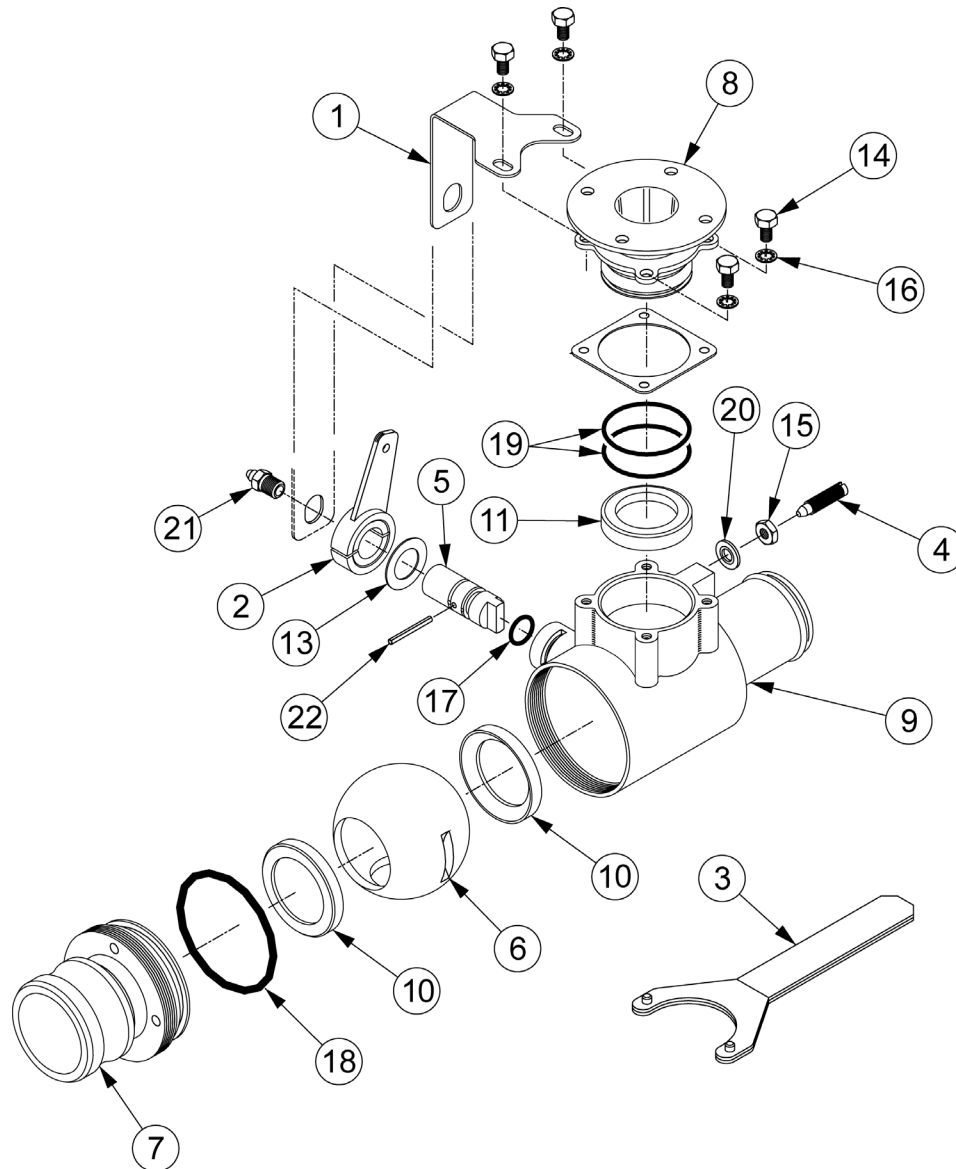
Parts Breakdown for 58380, 58381, 58383 & 58384 2" Stainless Steel Manual Spray Control Valves



ITEM	PART NO.	DESCRIPTION	QTY	ITEM	PART NO.	DESCRIPTION	QTY
1	24398	Arm Assy	1	10	60045	Seal, Teflon	2
2	24427	Wrench	1	11	60046	Seal, Teflon	1
3	40119	Screw	1	13	60049	Washer	1
4	48118	Shaft	1	14	80102	Bolt	4
5	52465	Ball (stainless)	1	15	80536	Nut	1
6	56400	Cap (58383, 58384)	1	16	81202	Washer	4
6	56900	Cap (58380)	1	17	81603	O-Ring	1
7	56901	Body (58381)	1	18	81623	O-Ring	1
8	56902	Body (58380, 58383)	1	19	81672	O-Ring	2
8	56903	Body (58384)	1	20	85694	Seal	1
9	56905	Venturi (58380)	1	21	86177	Grease Fitting	1
9	56906	Venturi (58383)	1	22	86310	Spring Pin	1
9	56907	Venturi (58384)	1				



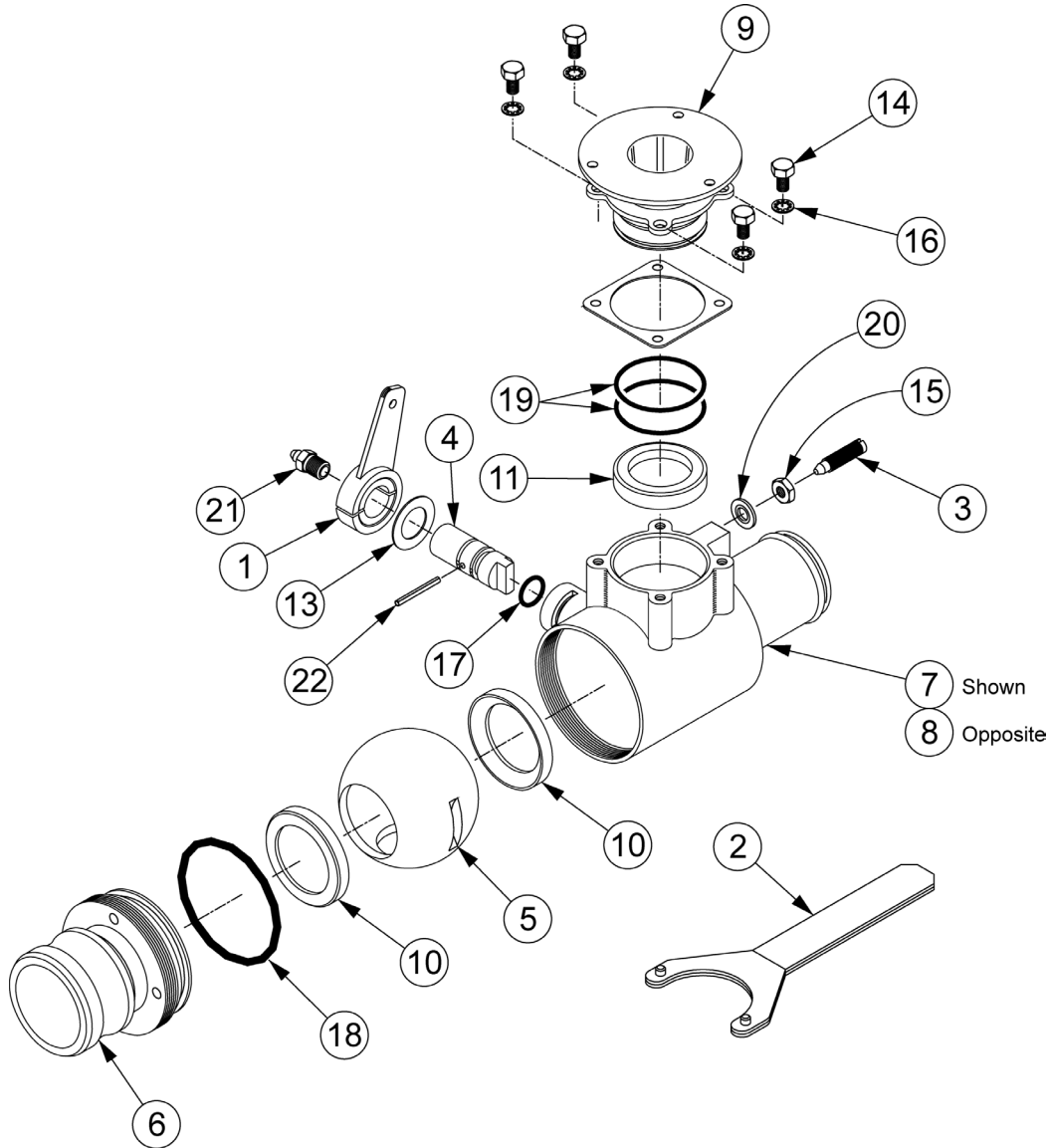
Parts Breakdown for 58882 2" Stainless Steel Manual Spray Control Valve



ITEM	PART NO.	DESCRIPTION	QTY	ITEM	PART NO.	DESCRIPTION	QTY
1	15979	Safety Plate	1	13	60049	Washer	1
2	24398	Arm Assy	1	14	80102	Bolt	4
3	24427	Wrench	1	15	80536	Nut	4
4	40119	Screw	1	16	81202	Washer	1
5	48115	Shaft	1	17	81603	O-Ring	1
6	52465	Ball (stainless)	1	18	81623	O-Ring	1
7	56400	Cap	1	19	81672	O-Ring	2
8	56906	Venturi	1	20	85694	Seal	1
9	56915	Body	1	21	86177	Grease Fitting	1
10	60045	Seal, Teflon	2	22	86311	Coil Pin	1
11	60046	Seal, Teflon	1				



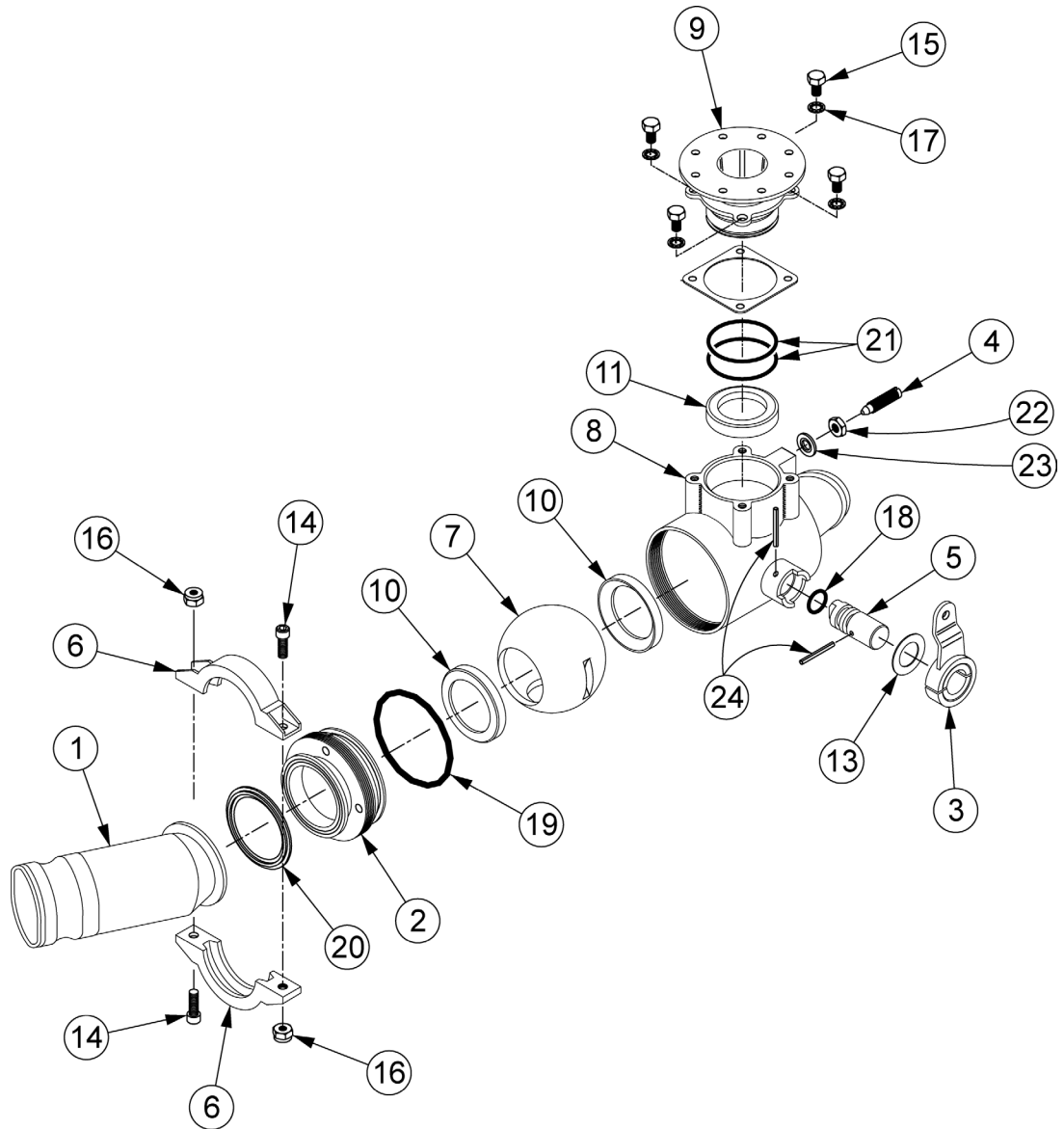
Parts Breakdown for 57789 & 59589 2" Stainless Steel Manual Spray Control Valves



ITEM	PART NO.	DESCRIPTION	QTY	ITEM	PART NO.	DESCRIPTION	QTY
1	24398	Arm Assy	1	13	60049	Washer	1
2	24427	Wrench	1	14	80102	Bolt	4
3	40119	Screw	1	15	80536	Nut	4
4	48118	Shaft	1	16	81202	Washer	1
5	52465	Ball (stainless)	1	17	81603	O-Ring	1
6	56400	Cap	1	18	81623	O-Ring	1
7	56901	Body (57789)	1	19	81672	O-Ring	2
8	56902	Body (59589)	1	20	85694	Seal	1
9	56908	Venturi	1	21	86177	Grease Fitting	1
10	60045	Seal, Teflon	2	22	86310	Spring Pin	1
11	60046	Seal, Teflon	1				



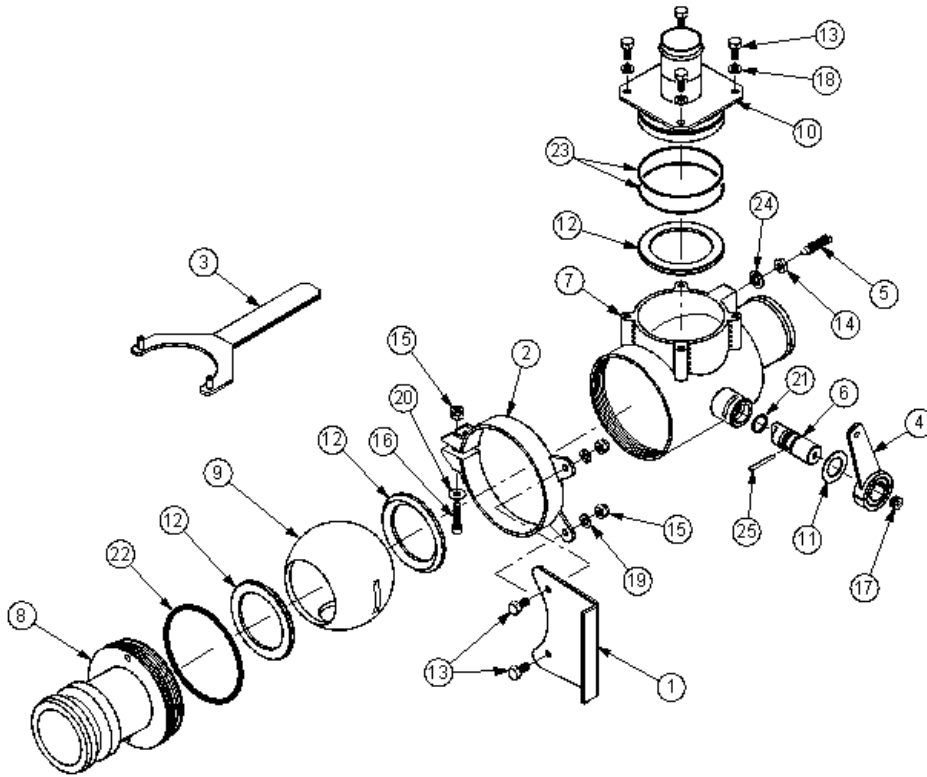
Parts Breakdown for 58324 2" Stainless Steel Manual Spray Control Valve



ITEM	PART NO.	DESCRIPTION	QTY	ITEM	PART NO.	DESCRIPTION	QTY
1	23095	Cap	1	13	60049	Washer	1
2	23096	Cap Adapter	1	14	80051	Screw, Socket Head	2
3	24431	Arm Assy	1	15	80102	Bolt	4
4	40119	Screw	1	16	80559	Nut	2
5	41000	Shaft	1	17	81202	Washer	4
6	44431	Clamp	2	18	81603	O-Ring	1
7	52465	Ball (stainless)	1	19	81623	O-Ring	1
8	56904	Body	1	20	81642	Gasket	1
9	56407	Venturi	1	21	81672	O-Ring	2
10	60045	Seal, Teflon	2	22	80536	Nut	1
11	60046	Seal, Teflon	1	23	85694	Seal	1
			1	24	86310	Roll Pin	1



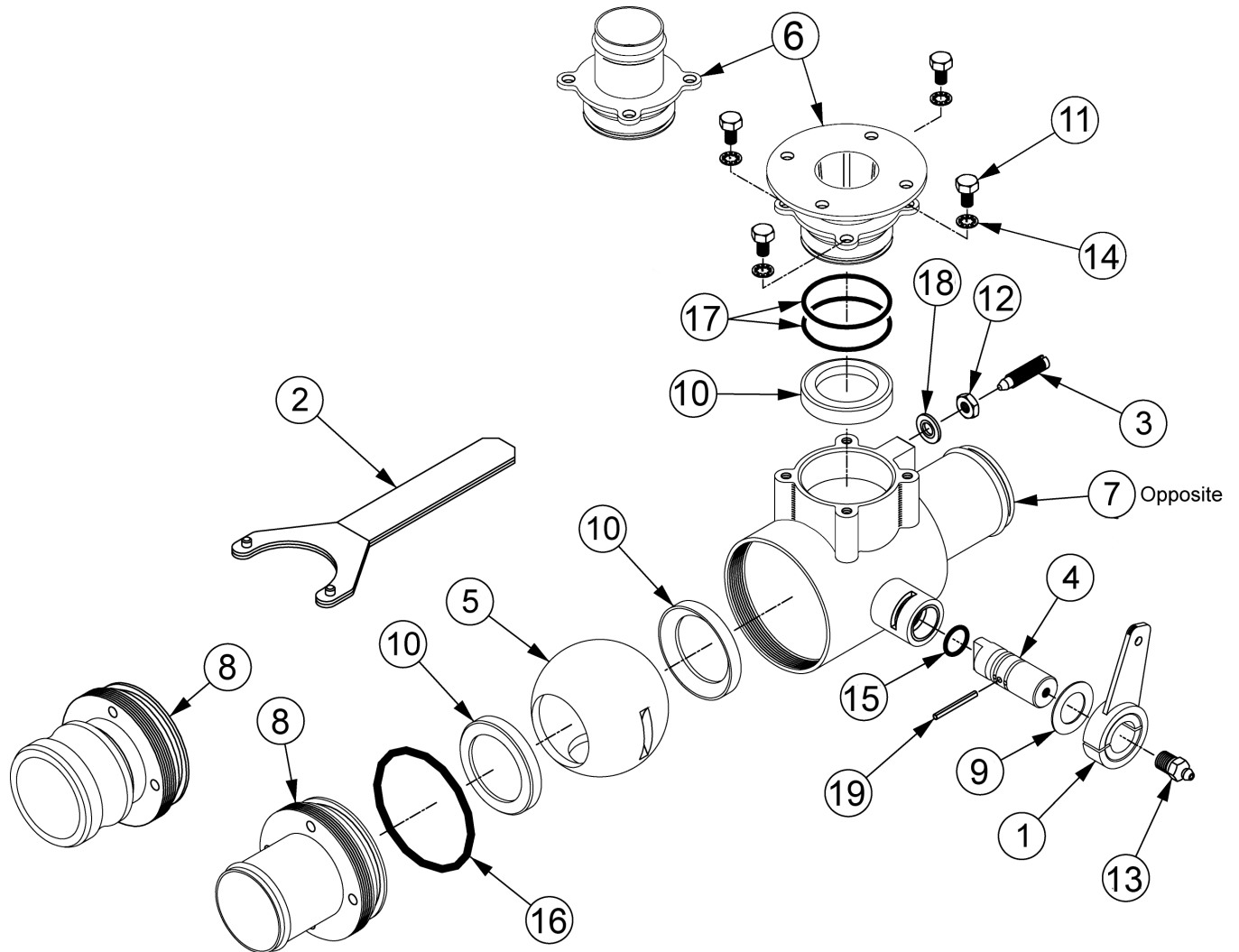
Parts Breakdown for 58483 2½" Stainless Steel Manual Spray Control Valve



ITEM	PART NO.	DESCRIPTION	QTY	ITEM	PART NO.	DESCRIPTION	QTY
1	14961	Bracket	1	14	80536	Nut	1
2	22087	Clamp Assy	1	15	80559	Nut	3
3	24072	Wrench	1	16	81012	Screw	1
4	24396	Arm Assy	1	17	81194	Plug	1
5	40119	Screw	1	18	81195	Washer, Lock	4
6	48118	Shaft	1	19	81230	Washer, Flat	2
7	51976	Body	1	20	81260	Washer, Flat	1
8	51978	Cap	1	21	81603	O-Ring	1
9	52326	Ball (stainless)	1	22	81628	O-Ring	1
10	55422	Venturi	1	23	81671	O-Ring	2
11	60049	Washer, Black Fiber	1	24	85694	Seal	1
12	60779	Seal, Teflon	3	25	86310	Spring Pin	1
13	80104	Bolt	6				



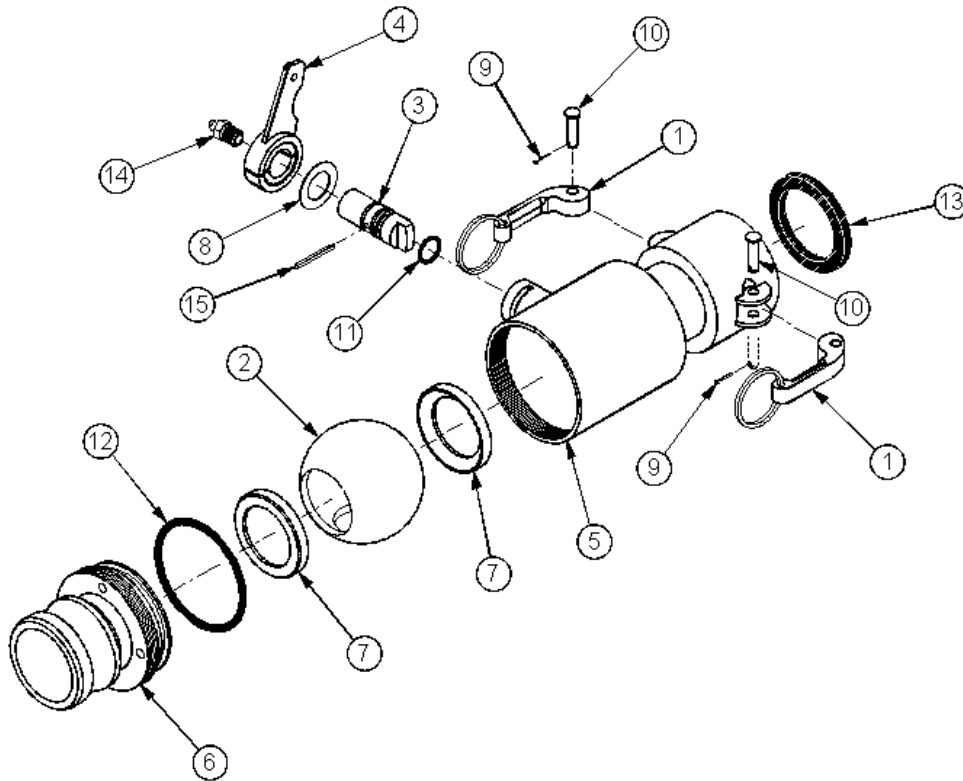
Parts Breakdown for 53380 & 53383 3" Stainless Steel Spraying Valves



ITEM	PART NO.	DESCRIPTION	QTY	ITEM	PART NO.	DESCRIPTION	QTY
1	24396	Arm Assy	1	11	80104	Bolt	4
2	24072	Wrench	1	12	80536	Nut	1
3	40119	Screw	1	13	81194	Plug	1
4	48118	Shaft	1	14	81195	Washer, Lock	4
5	52326	Ball (stainless)	1	15	81603	O-Ring	1
6	55422	Venturi	1	16	81628	O-Ring	1
7	56080	Body Assy	1	17	81671	O-Ring	2
8	56083	Cap Assy (53383)	1	18	85694	Seal	1
8	56084	Cap Assy (53380)	1	19	86310	Spring Pin	1
9	60049	Washer, Black Fiber	1				
10	60779	Seal, Teflon	3				



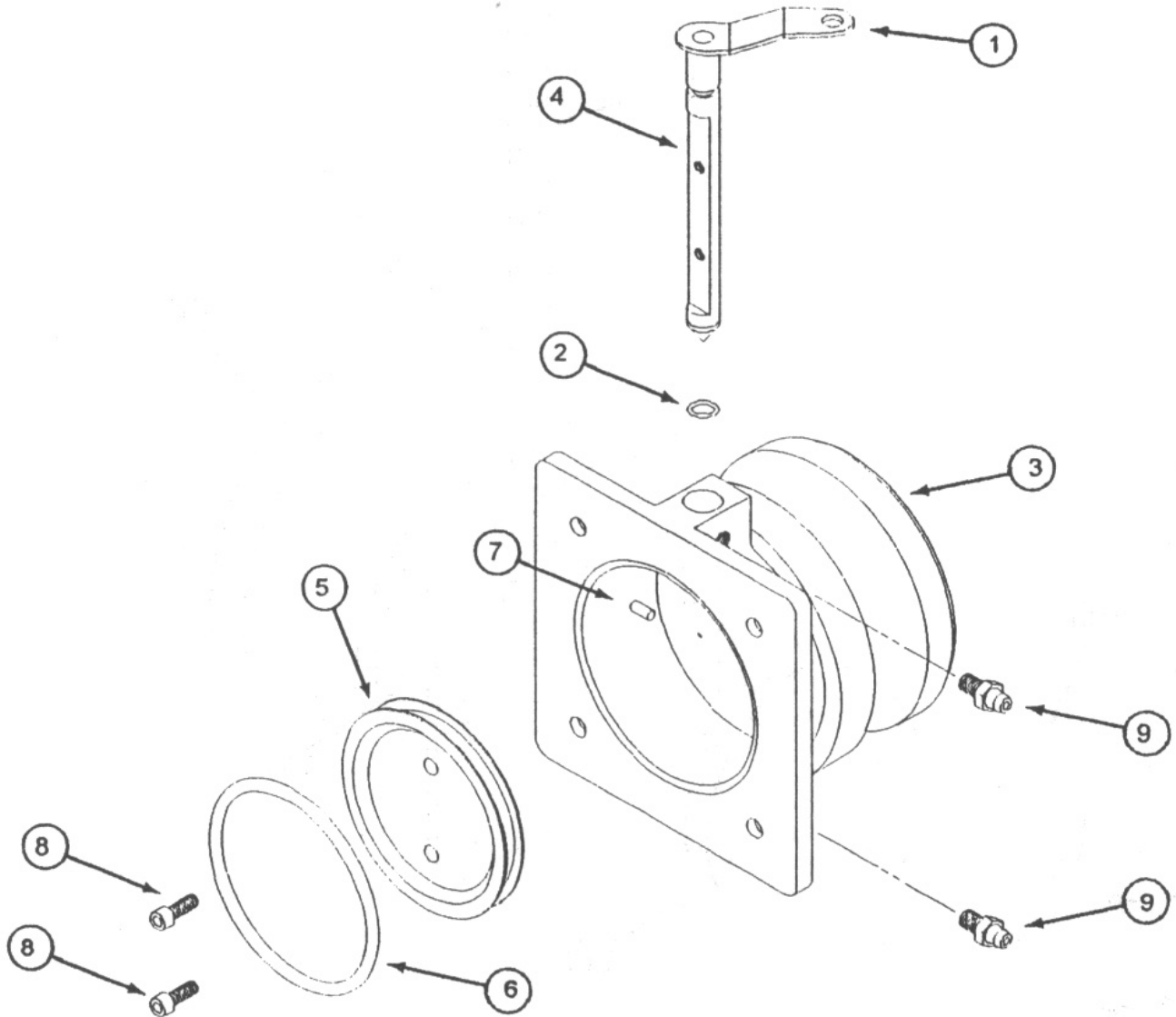
Parts Breakdown for 58301(1½") & 58302(2") Stainless Steel Ball Boom Shut-Off Valves



ITEM	PART NO.	DESCRIPTION	QTY	ITEM	PART NO.	DESCRIPTION	QTY
1	40224	Arm	2	8	60049	Washer, Black Fiber	1
2	52289	Ball (58301)	1	9	80588	Cotter Pin	2
2	52465	Ball (58302)	1	10	80608	Clevis Pin	2
3	48118	Shaft	1	11	81603	O-Ring	1
4	51960	Arm Assy	1	12	81620	O-Ring (58301)	1
5	51962	Body (58301)	1	12	81623	O-Ring (58302)	1
5	56090	Body (58302)	1	13	85363	Seal (58302)	1
6	51961	Cap (58301)	1	13	85364	Seal (58301)	1
6	56400	Cap (58302)	1	14	86177	Grease Fitting	1
7	60045	Seal, Teflon (58301)	2	15	86310	Spring Pin	1
7	60054	Seal, Teflon (58302)	2				



Parts Breakdown for 23623 (2"), 23625 (3") & 23626 (2 1/2") Butterfly Valves



ITEM	PART NO.	DESCRIPTION	QTY	ITEM	PART NO.	DESCRIPTION	QTY
1	14599	Handle (23623, 23626)	1	5	43800	Disc 2-1/2" (23626)	1
1/4	24413	Shaft Assembly (23625)	1	5	42876	Disc 3" (23625)	1
2	14198	Plate-O Ring Rtnr (23626)	1	5	44372	Disc 2" (23623)	1
3	43803	Body (23626)	1	6	81596	O Ring, Vinton (23626, 23625)	1
3	44441	Body (23625)	1	6	81610	O Ring, Vinton (23623)	1
3	44437	Body (23623)	1	7	85234	Dowel Pin S.S. (23626)	1
4	43802	Shaft 2-1/2" (23626)	1	7	86205	Dowel Pin S.S. (23625, 23623)	1
4	44369	Shaft 2" (23623)	1	8	80945	Screw #8-32	2
				9	80946	Screw #6-32	2