



Texas Industrial Remcor, Inc.

QUALITY VALVES AND CONTROLS. TODAY AND TOMORROW.

INTRODUCING THE NEW RC2 CONTROL SYSTEM

Control the flow from inside the cab!



THE NEW RC2 CONTROL SYSTEM:

- Ensures no potential leaks in the tractor cab when using high pressure applications.
- Handles simpler coupling and decoupling from the tractor with no pressure gauge tube to deal with.
- Eliminates the pressure gauge and gauge tube for those users who want their pressure gauge mounted outside of the cab.

Available in multiple configurations.

Contact your sales representative to order !



CATALOG NO. 33

SPRAYER VALVES AND CONTROLS CATALOG

Texas Industrial Remcor, Inc.,

PO Box 3704, Temple, Texas 76505 254-982-4236 Fax: 254-982-4836

www.sprayervalves.com

CONTROLLED SPRAYING



RC-1B SERIES - CONTROL SYSTEMS WITHOUT SOLENOID SHUTOFF VALVES

RC-1B Remote Control System with Toggle-type Boom & Pressure Regulator Switches

RC-1B Remote Control Systems are designed to give the operator complete and safe control of both spraying pressure and boom shut-down from the tractor seat. The cab harness of the control console attaches to the sprayer harness with molded quick disconnects for quick and easy coupling of the sprayer to the tractor. This exclusive feature also affords the option of cab and sprayer harness lengths most suitable for your tractor and sprayer combination. Includes 0-100 PSI/0-700 kPa pressure gauge, adjustable mounting bracket, toggle-type regulator switch, master switch and on-off switches for solenoid shutoff valves, 8 ft. power cord, fuseholder and fuse, and high pressure gauge line encased in a tight-fitting jacket of the wiring harnesses.

The standard control system is equipped with 6 ft. cab harness, 8 ft. sprayer harness, and nylon pressure regulator without solenoid shutoff valves as follows:

RC-1B	Remote Control System with 1560A pressure regulator and switches for 3 solenoid valves
RC-1BL	Remote Control System with 1560A pressure regulator, liquid filled pressure gauge, and switches for 3 solenoid valves
2170	Remote Control System with 1560A pressure regulator and switches for 2 solenoid valves
2170L	Remote Control System with 1560A pressure regulator, liquid filled pressure gauge, and switches for 2 solenoid valves
2150	Remote Control System with 1560A pressure regulator and switches for 4 solenoid valves
2150L	Remote Control System with 1560A pressure regulator, liquid filled pressure gauge, and switches for 4 solenoid valves
2160	Remote Control System with 1560A pressure regulator and switches for 5 solenoid valves
2160L	Remote Control System with 1560A pressure regulator, liquid-filled pressure gauge, and switches for 5 solenoid valves

RC-1B SERIES - COMPLETE CONTROL SYSTEMS INCLUDING SOLENOID SHUTOFF VALVES

Control Systems with 1999A Series Solenoid Valves

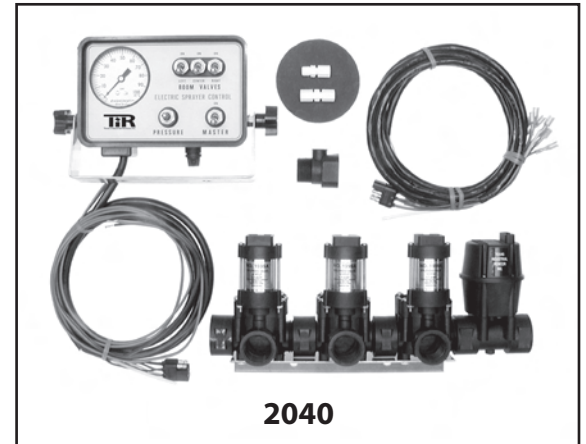
The standard control system is equipped with 6-ft. cab harness, 8-ft. sprayer harness, nylon pressure regulator, solenoid shutoff valves, 0-100 PSI/0-700 kPa pressure gauge and valve mounting bracket. Solenoid shutoff valves, pressure regulator and valve mounting bracket are completely factory assembled for quick and convenient mounting onto a sprayer.

2040 Sprayer Control System with 3 booms switches, 1541A Pressure Regulator, 1999A-3 Solenoid Valves and 1990 Valve Mounting Bracket (18GPM, 175 PSI)

2040L Same as 2040 above, except with Liquid Filled Pressure Gauge

2060 Sprayer Control System with 2 boom switches, 1541A Pressure Regulator, 1999A-2 Solenoid Valves and 1989 Valve Mounting Bracket (18GPM, 175 PSI)

2060L Same as 2060 above, except with Liquid Filled Pressure Gauge



Control Systems with 2100B Series Solenoid Valves

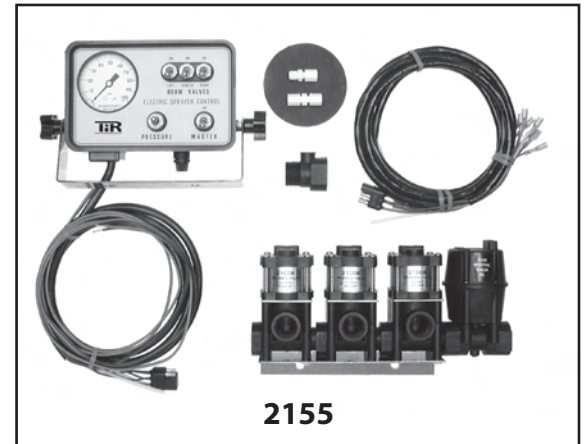
The standard control system is equipped with 6-ft. cab harness, 8-ft. sprayer harness, nylon pressure regulator, solenoid shutoff valves, 0-100 PSI/0-700 kPa pressure gauge and valve mounting bracket. Solenoid shutoff valves, pressure regulator and valve mounting bracket are completely factory assembled for quick and convenient mounting onto a sprayer.

2155 Sprayer Control System with 3 boom switches, 1560A Pressure Regulator, 2100B-3 Solenoid Valves and 2151 Valve Mounting Bracket (10GPM, 125 PSI)

2155L Same as 2155 above, except with Liquid Filled Pressure Gauge

2165 Sprayer Control System with 2 boom switches, 1560A Pressure Regulator, 2100B-2 Solenoid Valves and 2149 Valve Mounting Bracket (10GPM, 125 PSI)

2165L Same as 2165 above, except with Liquid Filled Pressure Gauge

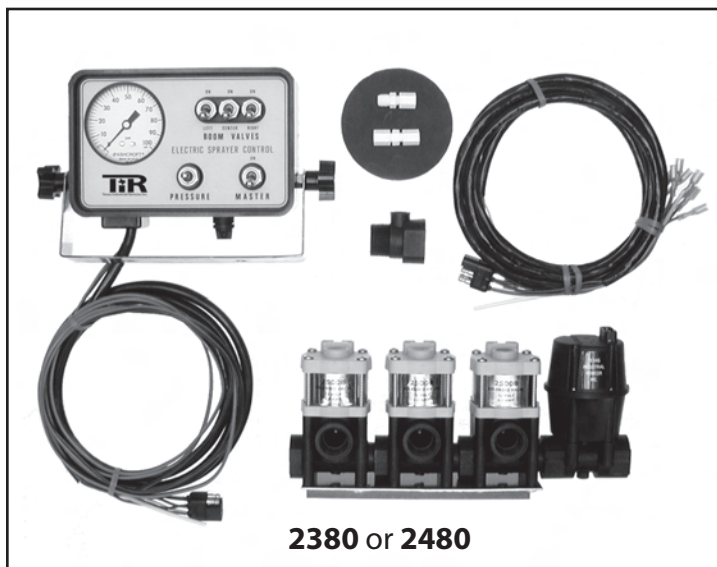


OPTIONAL EQUIPMENT FOR RC-1B CONTROLS

- 1734L** Liquid-filled pressure gauge, 0-160 PSI, in lieu of standard gauge
- 1332L** Liquid-filled pressure gauge, 0-100 PSI & 0-700 kPa, in lieu of standard gauge
- 1541A** 1" nylon pressure regulator in lieu of 1560A regulator
- 1294** 10 ft. cab harness in lieu of 6 ft. cab harness
- 1577** 15 ft. sprayer harness in lieu of 8 ft. sprayer harness
- 1578** 24 ft. sprayer harness in lieu of 8 ft. sprayer harness
- 1231** 15 ft. extension harness assembly with quick disconnects

Contact factory for controls with Weather Pack disconnects.

CONTROLLED SPRAYING



Control Systems with 2500B or 2502B Series Solenoid Valves

The standard control system is equipped with 6-ft. cab harness, 8-ft. sprayer harness, nylon pressure regulator, solenoid shutoff valves and valve mounting bracket

2380 Sprayer Control System with 1560A Pressure Regulator, 0-100 PSI/0-700 kPa Pressure Gauge and 2500B-3 solenoid shutoff valves and 2151 valve mounting bracket (10 GPM, 100 PSI)

2635 Sprayer Control System with 1560A Pressure Regulator, 0-100 PSI/0-700 kPa Pressure Gauge, 2500B-2 solenoid shutoff valves and 2149 valve mounting bracket (10 GPM, 100 PSI)

2480 Sprayer Control System with 1560A Pressure Regulator, 0-200 PSI Pressure Gauge 2502B-3 solenoid shutoff valves and 2151 valve mounting bracket (8 GPM, 175 PSI)

2415 Sprayer Control System with 1560A Pressure Regulator, 0-200 PSI Pressure Gauge 2502B-2 solenoid shutoff valves and 2149 valve mounting bracket (8GPM, 175 PSI)

For more information on our 2500 series valves, see pages 10 and 11 of this catalog. Optional Equipment – Refer to page 3 for list of optional equipment for RC-1B series controls. Contact factory for controls with Weather Pack disconnects.

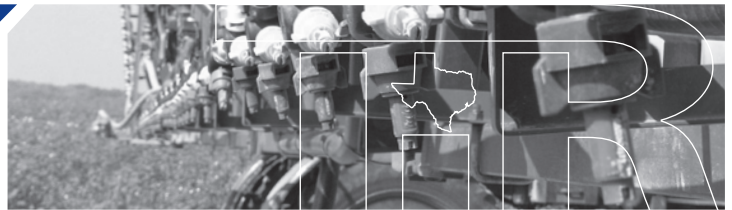


RC-10N SERIES

The RC-10N Series Remote Control System is the ideal control package for sprayers which require control over only one boom shutoff valve. Includes 0-100 PSI/0-700 kPa pressure gauge, mounting bracket, regulator switch, on-off boom switch, 8-ft. power cord with fuse holder and fuse, and a 15-ft. sprayer harness with encased high pressure gauge tubing which acts as both a pressure transmitter and a pulsation dampener. The standard package is equipped with a 1560A 3/4" pressure regulator.

RC-10N Remote Control System with 1560A pressure regulator, without solenoid shutoff valve

2055 Sprayer Control System with 1541A pressure regulator, 1999A-1 solenoid valve and 1988 valve mounting bracket. Solenoid valve, pressure regulator and valve mounting bracket are completely factory assembled for quick and convenient mounting on a sprayer (18 GPM, 175 PSI)



2180 Sprayer Control System with 1560A pressure regulator, 0-100 PSI/0-700 kPa pressure gauge 2100B-1 solenoid valve and 2148 valve mounting bracket. Solenoid valve, pressure regulator and valve mounting bracket are completely factory assembled for quick and convenient mounting on a sprayer (10 GPM, 125 PSI)

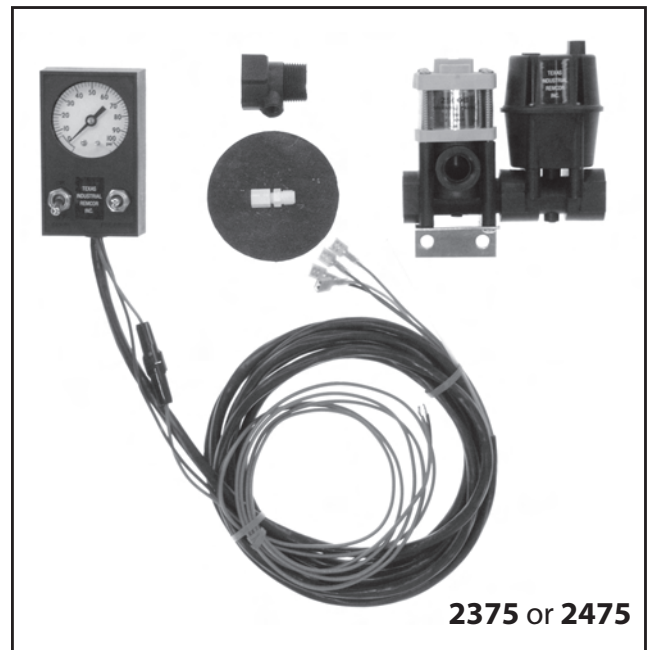
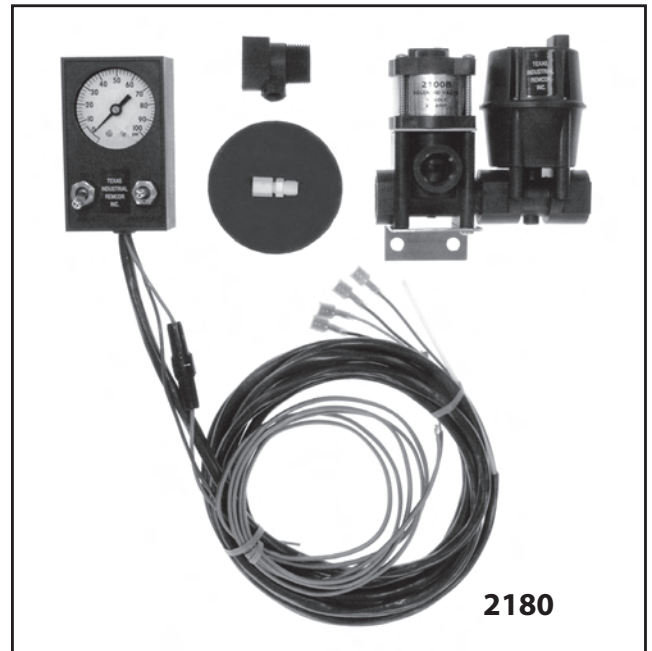
2375 Sprayer Control System with 1560A pressure regulator, 0-100 PSI/0-700 kPa pressure gauge and 2500B-1 solenoid shutoff valve and 2148 valve mounting bracket (10 GPM, 100 PSI)

2475 Sprayer Control System with 1560A pressure regulator, 0-200 PSI pressure gauge and 2502B-1 solenoid shutoff valve and 2148 valve mounting bracket (8 GPM, 175 PSI)

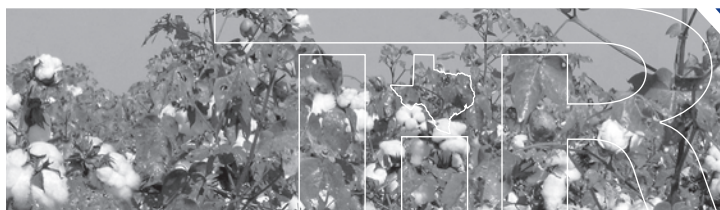
OPTIONAL EQUIPMENT FOR RC-10N CONTROLS

1541A 1" nylon pressure regulator in lieu of 1560A regulator

1585 15-ft. extension harness assembly with quick disconnects



2-WAY SOLENOID VALVES



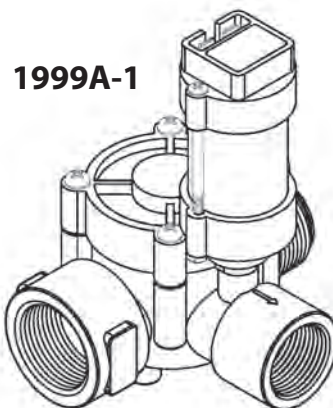
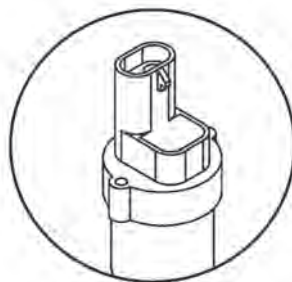
LARGE SOLENOID VALVES (Boom Valves for Larger Flows)

1999A Series Solenoid Valves and Assemblies

Valve Assemblies

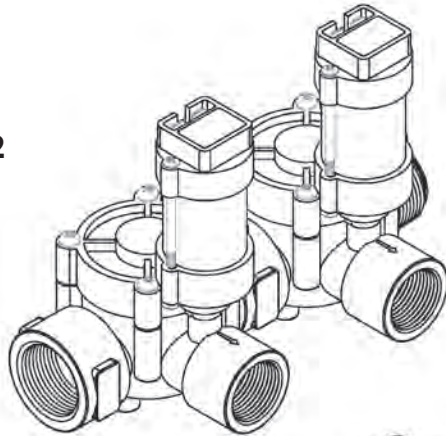
Series 1999A 12-Volt DC Electric Boom Shutoff Valves have 1" NPT female inlet, 1" male bypass outlet and 3/4" NPT female boom line outlet for high volume applications at minimum pressure loss (pressure drop is only 5 PSI at 18 GPM). Current draw of only 1.1 amp per valve. Chemical resistant glass filled nylon body with Viton diaphragm and seals standard, Aflas is optional. Maximum operating pressure, 175 PSI and 18 GPM. For multiple valve units, simply screw one valve to another.

- 1999A-1** Solenoid Shutoff Valve, single
- 1999A-2** Solenoid Shutoff Valves, double
- 1999A-3** Solenoid Shutoff Valves, triple
- 2045** Repair Kit for 1999 Solenoid Valve (Viton)
- 2517** Repair Kit for 1999A Solenoid Valve (Viton)
- 2113** Repair Kit for 1999 Solenoid Valve (Aflas)
- 2518** Repair Kit for 1999A Solenoid Valve (Aflas)

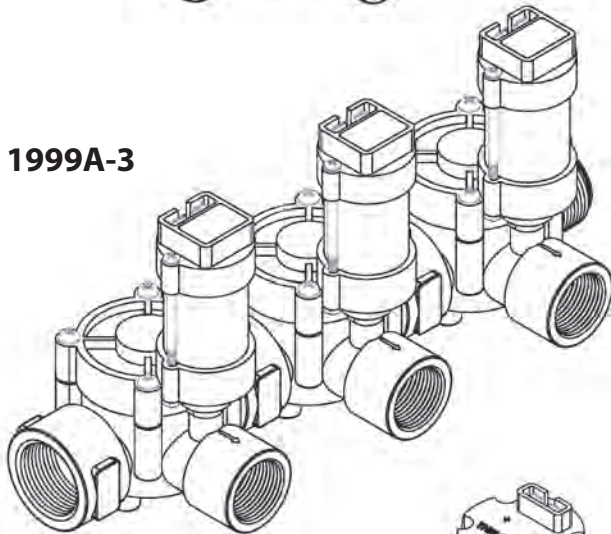


Series 1999A Valves are available with a Weather Pack sealed connector at no extra charge. To order with the Weather Pack connector, simply add "WP" after the valve number.

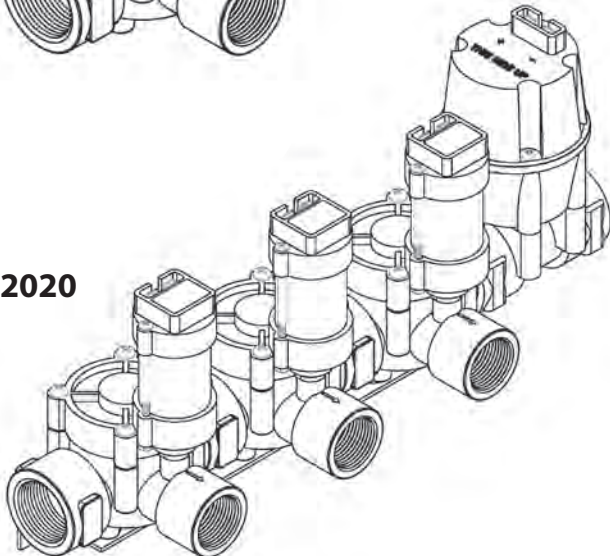
1999A-2



1999A-3



2020



Valve, Regulator and Mounting Bracket Assemblies

Solenoid Valve(s), pressure regulator and valve mounting bracket are completely factory assembled for quick and convenient mounting on a sprayer.

2035 Assembly consists of 1999A-1 Solenoid Valve, 1541A 1" Pressure Regulator and 1988 Mounting Bracket (18 GPM, 175 PSI)

2025 Assembly consists of 1999A-2 Solenoid Valves, 1541A 1" Pressure Regulator and 1989 Mounting Bracket (18 GPM, 175 PSI)

2020 Assembly consists of 1999A-3 Solenoid Valves, 1541A 1" Pressure Regulator and 1990 Mounting Bracket (18 GPM, 175 PSI)

Mounting Brackets

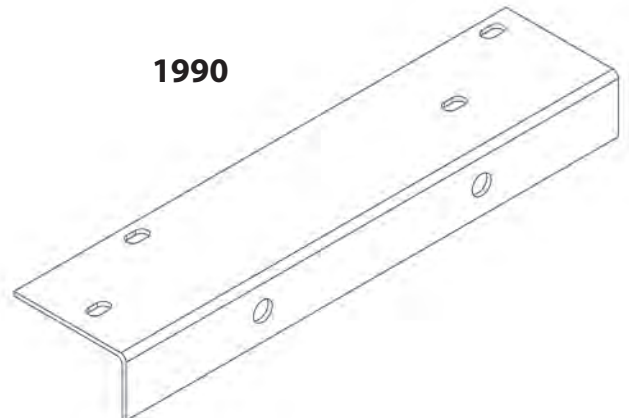
Valve Mounting Brackets are formed from 14 gauge stainless steel. Screws for attaching bracket to valve(s) are included.

1988 Mounting Bracket for 1999A-1 single valve

1989 Mounting Bracket for 1999A-2 double valves

1990 Mounting Bracket for 1999A-3 triple valves

1990



2-WAY SOLENOID VALVES



LARGE SOLENOID VALVES (Boom Valves for Larger Flows)

2100B Series Solenoid Valves and Assemblies

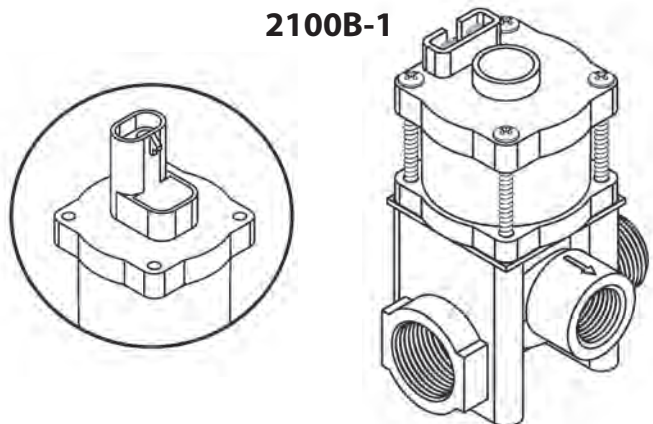
Valve Assemblies

Series 2100B 12-Volt DC Electric Boom Shutoff Valves have a 3/4" NPT female inlet, 3/4" NPT male bypass outlet and a 1/2" NPT female boom line outlet. These direct operating valves are designed for 125 PSI maximum operating pressure and 10 GPM. (Only 5 PSI pressure loss at 10 GPM.) Totally enclosed epoxy encapsulated coil draws only 2.4 amps per valve at 12 volts. Viton seals and "O" rings are standard, Aflas is optional, both are easily replaced. Wetted parts consist of 430 stainless steel and chemical resistant glass filled nylon body. For multiple units, simply screw one valve to another.

- 2100B-1** Solenoid Shutoff Valve, single
- 2100B-2** Solenoid Shutoff Valves, double
- 2100B-3** Solenoid Shutoff Valves, triple
- 2255** Viton Repair Kit for 2100A or 2100B Valve
- 2252** Aflas Repair Kit for 2100A or 2100B Valve

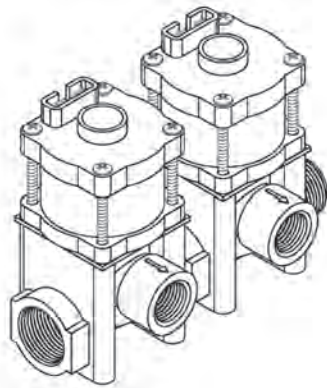


2100B-1

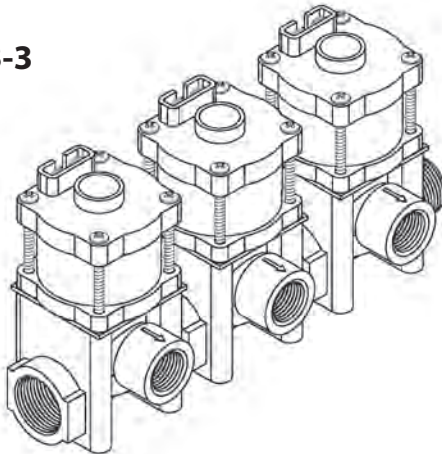


2100B Valves are available with a Weather Pack sealed connector at no extra charge. To order with the Weather Pack connector, simply add "WP" to the valve number.

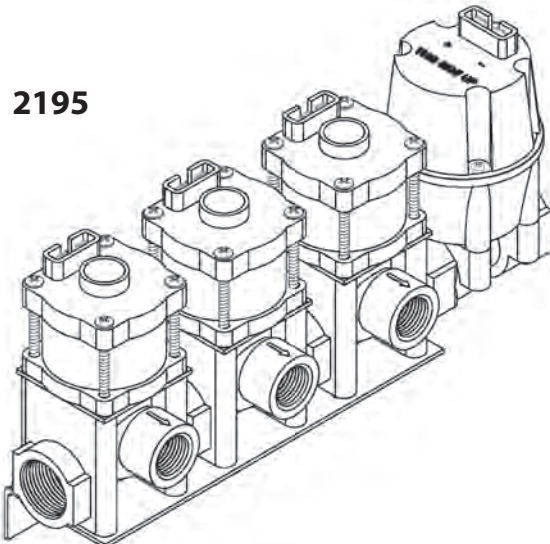
2100B-2



2100B-3



2195



Valve, Regulator and Mounting Bracket Assemblies

Solenoid Valve(s), pressure regulator and valve mounting bracket are completely factory assembled for quick and convenient mounting on a sprayer.

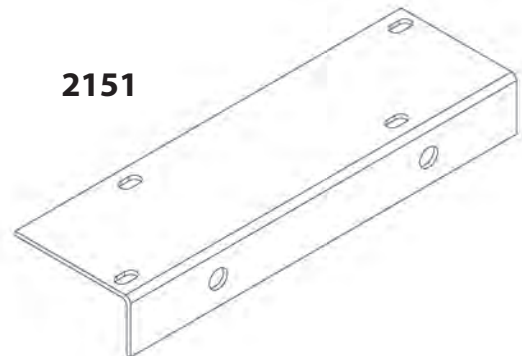
- 2175** Assembly consists of 2100B-1 Solenoid Valve, 1560A 3/4" Pressure Regulator and 2148 Mounting Bracket (10 GPM, 125 PSI)
- 2185** Assembly consists of 2100B-2 Solenoid Valves, 1560A 3/4" Pressure Regulator and 2149 Mounting Bracket (10 GPM, 125 PSI)
- 2195** Assembly consists of 2100B-3 Solenoid Valves, 1560A 3/4" Pressure Regulator and 2151 Mounting Bracket (10 GPM, 125 PSI)

Mounting Brackets

Valve Mounting Brackets are formed from 14 gauge stainless steel. Screws for attaching bracket to valve(s) are included.

- 2148** Mounting Bracket for 2100B-1, single valve
- 2149** Mounting Bracket for 2100B-2, double valves
- 2151** Mounting Bracket for 2100B-3, triple valves

2151



2-WAY SOLENOID VALVES



LARGE SOLENOID VALVES (Boom Valves for Larger Flows)

2500B, 2501B and 2502B Series Solenoid Valves

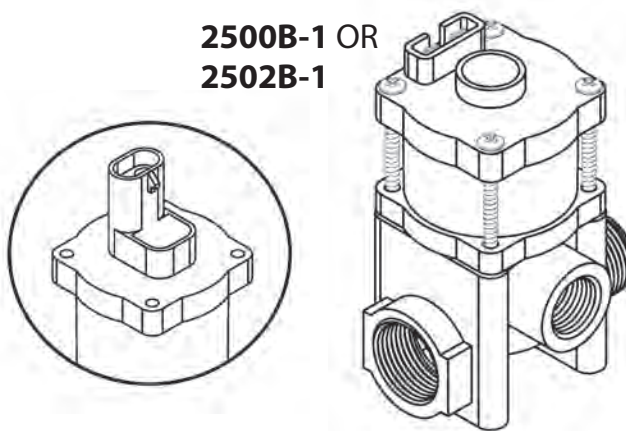
Model 2500B and 2502B 12-Volt DC Electric Boom Shutoff Valves have a 3/4" NPT female inlet, 3/4" NPT male bypass outlet and a 1/2" NPT female boom outlet. Totally enclosed epoxy encapsulated coil draws only 2 amps per valve at 12 volts. Equipped with Viton seat and seal. Wetted parts consist of 430 stainless steel and chemical resistant glass filled nylon body. For multiple units, simply screw one valve to another.

Model 2500B Series Valves are designed for 100 PSI maximum operating pressure and 10 GPM (only 5 PSI pressure loss at 10 GPM).

- 2500B-1** Solenoid Shutoff Valve, single
- 2500B-2** Solenoid Shutoff Valves, double
- 2500B-3** Solenoid Shutoff Valves, triple
- 2352** Repair Kit for 2500 Series Valves



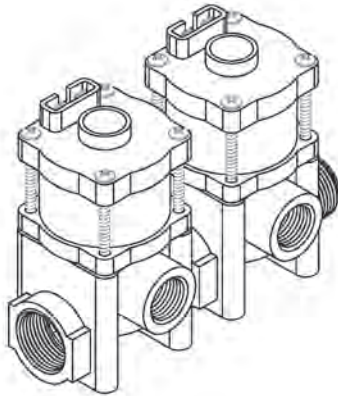
**2500B-1 OR
2502B-1**



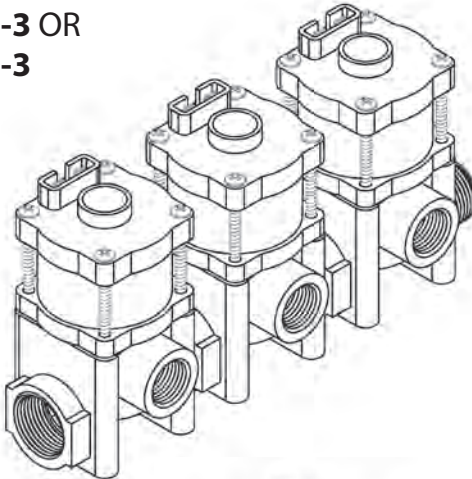
Series 2500B Valves are available with Weather Pack sealed connector at no extra charge. To order with the Weather Pack connector, simply add "WP" after the valve number.

**2500B-2 OR
2502B-2**

Also Available with WP

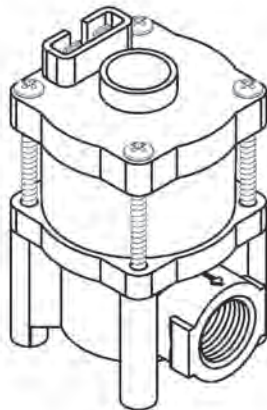


**2500B-3 OR
2502B-3**



2501B

Also Available with WP



Model 2502B Series Valves are designed for 175 PSI maximum operating pressure and 8 GPM (only 5 PSI pressure loss at 8 GPM).

- 2502B-1** Solenoid Shutoff Valve, single
- 2502B-2** Solenoid Shutoff Valves, double
- 2502B-3** Solenoid Shutoff Valves, triple
- 2352** Repair Kit for 2500 Series Valves

Model 2501B 12-Volt DC Electric Shutoff Valve has a 1/2" NPT female inlet and outlet. This valve is designed for 150 PSI maximum operating pressure and 6 GPM. (Only 5 PSI pressure loss at 6 GPM.) Totally enclosed epoxy encapsulated coil draws only 2 amps at 12 volts. Equipped with Viton seat and seal and chemical resistant glass filled nylon body.

- 2501B** Solenoid Shutoff Valve, single
- 2352** Repair Kit for 2500 Series Valves

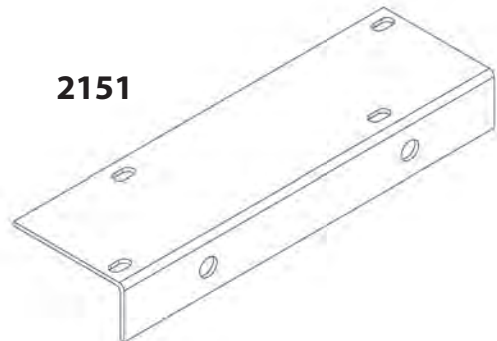
Mounting Brackets

For 2500B, 2501B, 2502B and 2504B Valves

Valve Mounting Brackets are formed from 14 gauge stainless steel. Screws for attaching bracket to valve(s) are included.

- 2148** Mounting Bracket for single valve
- 2149** Mounting Bracket for double valves
- 2151** Mounting Bracket for triple valves

2151



2-WAY SOLENOID VALVES

3000 SERIES Solenoid Valves

Series 3000 12-Volt DC electric shutoff valves are equipped with Viton seat. Coils are totally epoxy encapsulated with 1/4" male terminals or Weather Pack connector. Wetted parts consist of 430 stainless steel stop and pole plunger for added pull and a chemical resistant glass filled nylon body.

3002 Solenoid Valve

1/2" NPT female inlet and outlet, .272 Dia. Orifice, 1.48 CV Rating, 3.1 GPM (11 LPM), 130 PSI (895 kPa), 2 Amps.

3008 Solenoid Valve

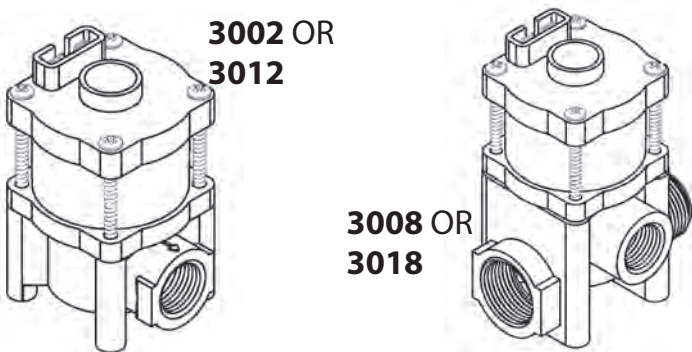
1/2" NPT female inlet and outlet, .312 Dia. Orifice, 1.83 CV Rating, 4 GPM (15 LPM), 40 PSI (275 kPa), 1.1 Amps.

3012 Solenoid Valve

3/4" NPT female inlet and 3/4" NPT male bypass outlet with 1/2" NPT female outlet, .272 Dia. Orifice, 1.48 CV Rating, 3.1 GPM (11 LPM), 130 PSI (895 kPa), 2 Amps.

3018 Solenoid Valve

3/4" NPT female inlet and 3/4" NPT male bypass outlet with 1/2" NPT female outlet, .312 Dia. Orifice, 1.83 CV Rating, 4 GPM (15 LPM), 40 PSI (275 kPa), 1.1 Amps.



Series 3000 Valves are available with a Weather Pack sealed connector at no extra charge. To order with the Weather Pack connector, simply add "WP" after the valve number.

SMALL SOLENOID VALVES (End Nozzle/Foam Marker/Small Sprayers)

2200A Series Solenoid Valves

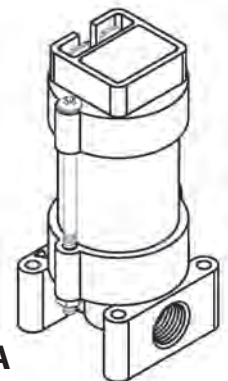
Series 2200A 12-Volt DC solenoid valves have a 1/4" NPT female inlet and outlet. The valve housing is made of glass filled nylon and the wetted metal parts of 304 and 430 stainless steel. Viton seal and "O" rings are standard. Coils are totally epoxy encapsulated with 1/4 male spade or Weather Pack sealed electrical connections. These direct operating valves can be used for foam and dye markers, small sprayers, boom end nozzles, chemical injection systems, individual nozzle shutoffs, etc.

The 2200A series valves are available in following versions:

2201A Solenoid Valve

.148 Dia. Orifice, .45 CV Rating, 1 GPM (3.75 LPM), 125 PSI (860 kPa), 12-Volt DC, 1.1 Amp.

This is a good choice when large flow and high pressure are required.

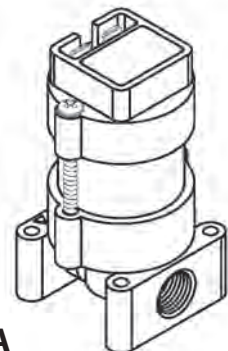


2201A

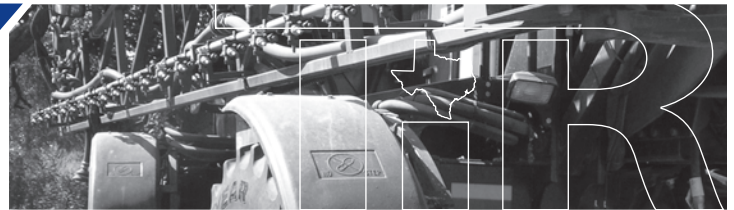
2202A Solenoid Valve

.148 Dia. Orifice, .45 CV Rating, 1 GPM (3.75 LPM), 80 PSI (550 kPa), 12-Volt DC, .85 Amp.

This valve has the same flow as the 2201A. Can be used when maximum operating pressure does not exceed 80 PSI. Ideal for small sprayers.



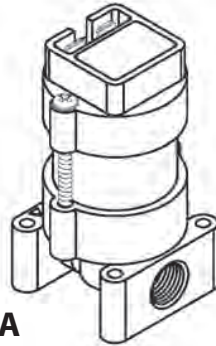
2202A



2203A Solenoid Valve

.105 Dia. Orifice, .26 CV Rating, 1/2 GPM (1.9 LPM), 175 PSI (1200 kPa), 12-Volt DC, .85 Amp.

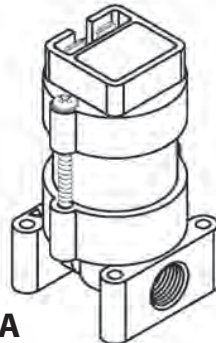
This is a good choice for foam markers to control both air and liquids.



2203A

2206A Solenoid Valve

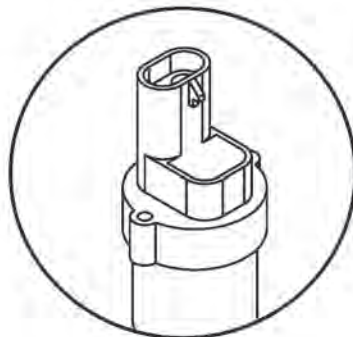
.070 Dia. Orifice, .1 CV Rating, .22 GPM (.85 LPM), 200 PSI (1375 kPa), 12-volt DC, .85 Amp.



2206A

Optional Weather Pack Sealed Connector

All 2200A series valves on these pages are available with a Weather Pack sealed connector at no extra charge. To order with the Weather Pack connector, simply add "WP" after the part number of the valve.



2-WAY MANIFOLD SOLENOID VALVES

2200 Series Manifold Valves (For ATV Use and Industrial Equipment - Street Sweepers, Roadside Spraying and Scrubbers.)

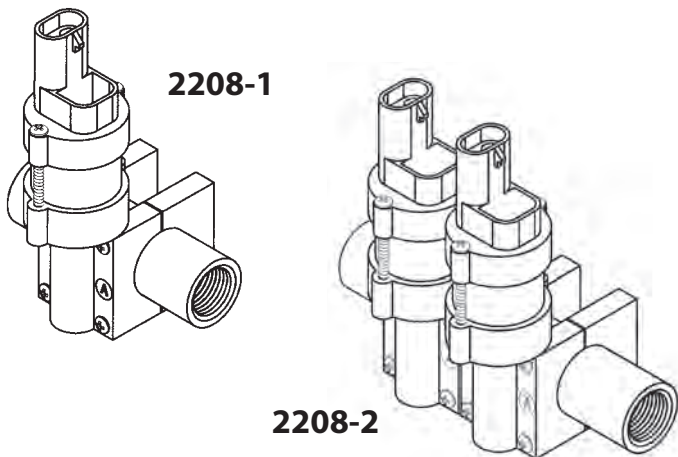
Series 2200 Manifold valves are clamped onto a 3/4" NPT pipe which acts as the central inlet for all the valves. The valves are plugged into 3/8" dia. holes drilled into the pipe. The 3/4" NPT pipe can be stainless, steel, aluminum, brass, PVC or PP. The valves have a 1/4" NPT outlet. The valve housing is made of glass filled nylon and wetted metal parts of 430 and 304 stainless steel. Viton "O" rings and seals are standard. Coils are totally epoxy encapsulated and have Weather Pack sealed electrical connections.

Manifold valve assemblies can be used for roadside spraying, street sweeper and scrubber equipment and other agricultural and industrial applications. Shown are some of the configurations possible.

Prices do not include the 3/4" NPT pipe.

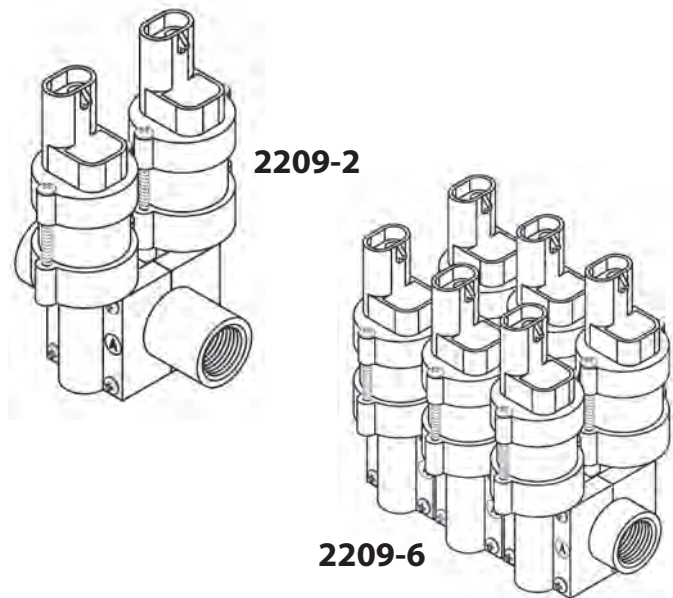
2208 Manifold Valve

.148 Dia. Orifice, .45 CV Rating, 1 GPM (3.75 LPM) at 5 PSI pressure drop, 80 PSI (550 kPa), 12-Volt DC, .85 Amp.



2209 Manifold Valve

.148 Dia. Orifice, .45 CV Rating, 1 GPM (3.75 LPM) at 5 PSI pressure drop, 80 PSI (550 kPa), 12-Volt DC, .85 Amp. Available in 2, 4 or 6 bank.



2209-6EMI Manifold Valve

.148 Dia. Orifice, .45 CV Rating, 1 GPM (3.75 LPM) at 5 PSI pressure drop, 80 PSI (550 kPa), 12-Volt DC, .85 Amp. Available in 2, 4 or 6 bank.

The coil is epoxy encapsulated EMI (Electro Magnetic Interference) Suppressed. It reduces peak spikes from 350 to 35 volts. Diode reduces voltage of coil from .85 to .68 AMP.

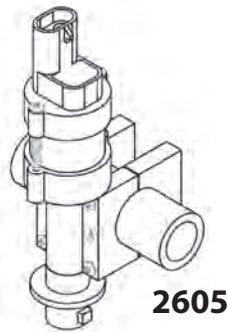


2600 Series Manifold Nozzle Body Valves

The following **Series 2600** manifold nozzle body valves are clamped onto a 3/4" NPT boom pipe. The valves are plugged into 3/8" dia. holes drilled into the boom pipe. These direct operating valves can be used for field, golf course and roadside spraying where instantaneous opening and shutoff is desirable.

2605 Manifold Nozzle Body Valve

.148 Dia. Orifice, .45 CV Rating, 1 GPM (3.75 LPM) at 5 PSI pressure drop. 80 PSI (550 kPa), 12-Volt DC, .85 Amp.

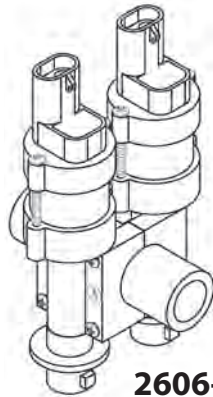


2605

2606 Manifold Nozzle Body Valve

This is a cluster of 2 valves. With different nozzle sizes, this combination can give 3 spray rates. A cluster of 4 valves can give 15 spray rates.

.148 Dia. Orifice, .45 CV Rating, 1 GPM (3.75 LPM) at 5 PSI pressure drop. 80 PSI (550 kPa), 12-Volt DC, .85 Amp.

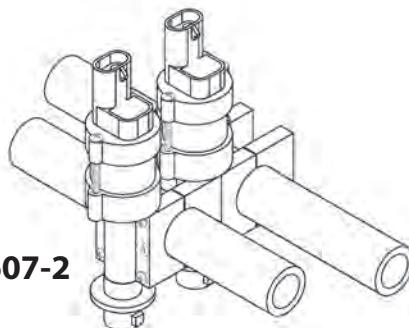


2606-2

2607 Manifold Nozzle Body Valve

This is a cluster of 2 valves attached to 2 boom pipes. This makes immediate switch over from the one chemical to another possible.

.148 Dia. Orifice, .45 CV Rating, 1 GPM (3.75 LPM) at 5 PSI pressure drop. 80 PSI (550 kPa), 12-Volt DC, .85 Amp.



2607-2

2600A SERIES Nozzle Body Valves

Series 2600A 12-Volt DC solenoid valves have a 1/4" NPT female inlet and a nozzle body outlet. The nozzle body outlet is compatible with most of the industry standard quick disconnect nozzle caps. The valve housing is made of glass filled nylon and the wetted metal parts of 304 and 430 stainless steel. Viton seals and "O" rings are standard. Coils are totally epoxy encapsulated with Weather Pack sealed electrical connections. These direct operating valves can be used for boom end nozzles or individual nozzle shutoffs.

The **2600A** series valves are available in following versions:

2601A Solenoid Valve

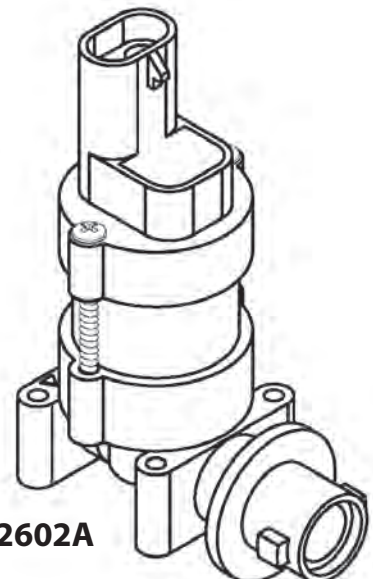
.148 Dia. Orifice, .45 CV Rating, 1 GPM (3.75 LPM), 125 PSI (860 kPa), 1.1 Amp.

2602A Solenoid Valve

.148 Dia. Orifice, .45 CV Rating, 1 GPM (3.75 LPM), 80 PSI (550 kPa), .85 Amp.

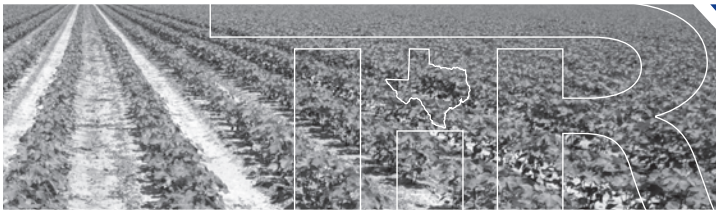
2603A Solenoid Valve

.105 Dia. Orifice, .26 CV Rating, 1/2GPM (1.9 LPM), 175 PSI (1200 kPa), .85 Amp.



2602A

3-WAY SOLENOID VALVES

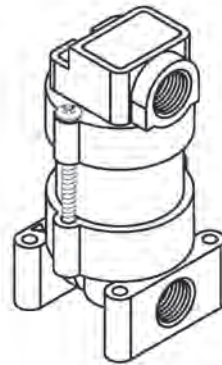


3-WAY SOLENOID VALVES (For Foam and Flow Direction)

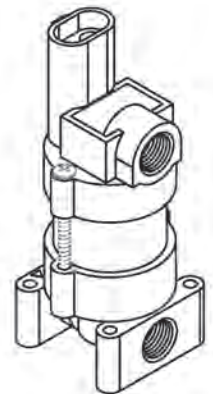
The **2204A** and **2204AWP** 3-Way 12-Volt DC solenoid valves have a 1/4" NPT female inlet and two 1/4" NPT female outlets. The valve housing is made of glass filled nylon and the wetted metal parts of 304 and 430 stainless steel. Viton seals and "O" rings are standard. The coil is totally epoxy encapsulated. Ideal for foam markers to control both air and liquids - .105 Dia. Orifice, .22 CV Rating, 1/2 GPM (1.9 LPM), 55 PSI (380 kPa), 12-Volt DC, .85 Amp.

2204A 3-Way Valve with 1/4" male spade terminals

2204AWP 3-Way valve with Weather Pack connector (shroud half)



2204A

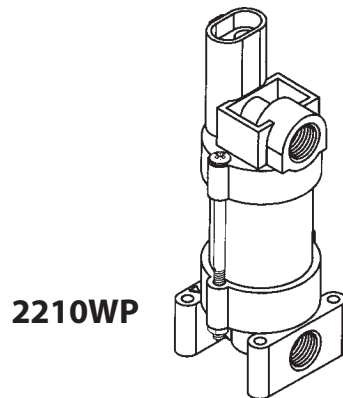
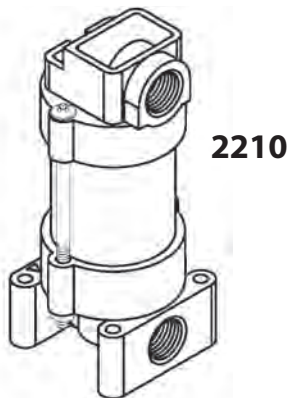


2204AWP

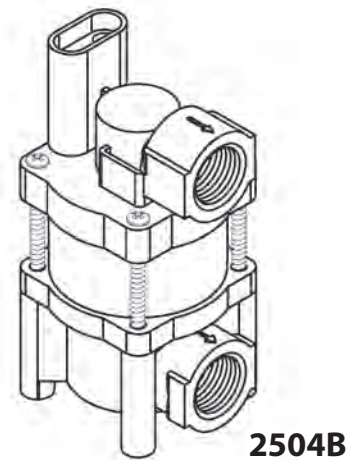
The **2210** and **2210WP** 3-Way high pressure 12-Volt DC solenoid valves have a 1/4" NPT female inlet and two 1/4" NPT female outlets. The valve housing is made of glass filled nylon and the wetted metal parts of 304 and 430 stainless steel. Viton seals and "O" rings are standard. The coil is totally epoxy encapsulated. Can be used for both air and liquids – .105 Dia. Orifice, 1/2 GPM (1.9 LPM), 200 PSI (1375 kPa), 12-Volt DC, 1.1 Amp.

2210 3-Way Valve with 1/4" male spade terminals

2210WP 3-Way Valve with Weather Pack connector (shroud half)



The **2504B** 3-Way 12-Volt DC solenoid valve has 1/2" NPT female inlet and two 1/2" NPT female outlets. The valve housing is made of glass filled nylon and the wetted metal parts of 430 stainless steel. Viton seals and "O" rings are standard. The coil is totally epoxy encapsulated and equipped with Weather Pack connector (shroud half). Ideal for foam markers to control both air and liquids – .220 Orifice, .9 CV Rating, 2 GPM (7.5 LPM), 75 PSI (500 kPa), 12-Volt DC, 1.1 Amp.



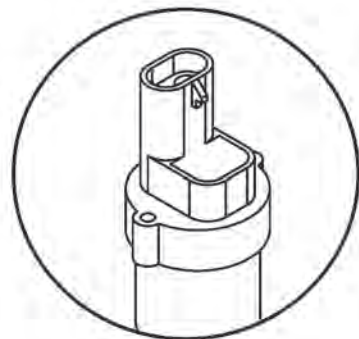
Optional for 2504B Valve

2148 Mounting Bracket, 14 gauge stainless steel

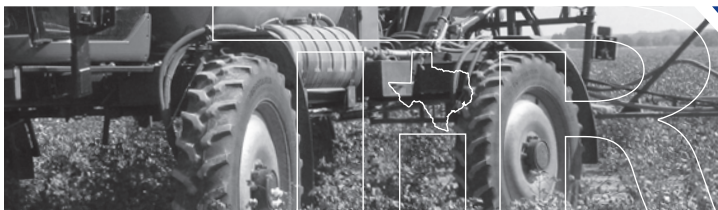
2671 Repair Kit for 2504B Valve

Optional Weather Pack Sealed Connector

All 2204A and 2210 series valves on these pages are available with a Weather Pack sealed connector at no extra charge. To order with the Weather Pack connector, simply add "WP" after the part number of the valve.



MOTORIZED VALVES

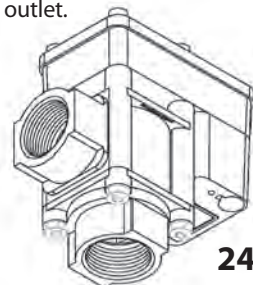


MOTORIZED VALVES

2400 Series 2-Way Motorized Valves (20 GPM, 150 PSI, 12-Volt)

Series 2400 2-way valves have only 5 PSI pressure drop at 20 GPM. Wetted parts are made of glass filled nylon and 303 stainless. Easy to replace Viton face seal. Totally enclosed motor with sealed connector, draws 2.5 Amp. max. Motor is protected by a self resetting fuse. Open and closing time is .8 sec.

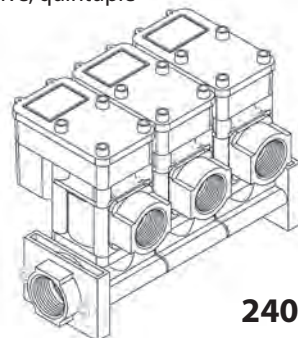
2402 The 2402 is a single valve with a 1" NPT bottom inlet and a 1" NPT side outlet.



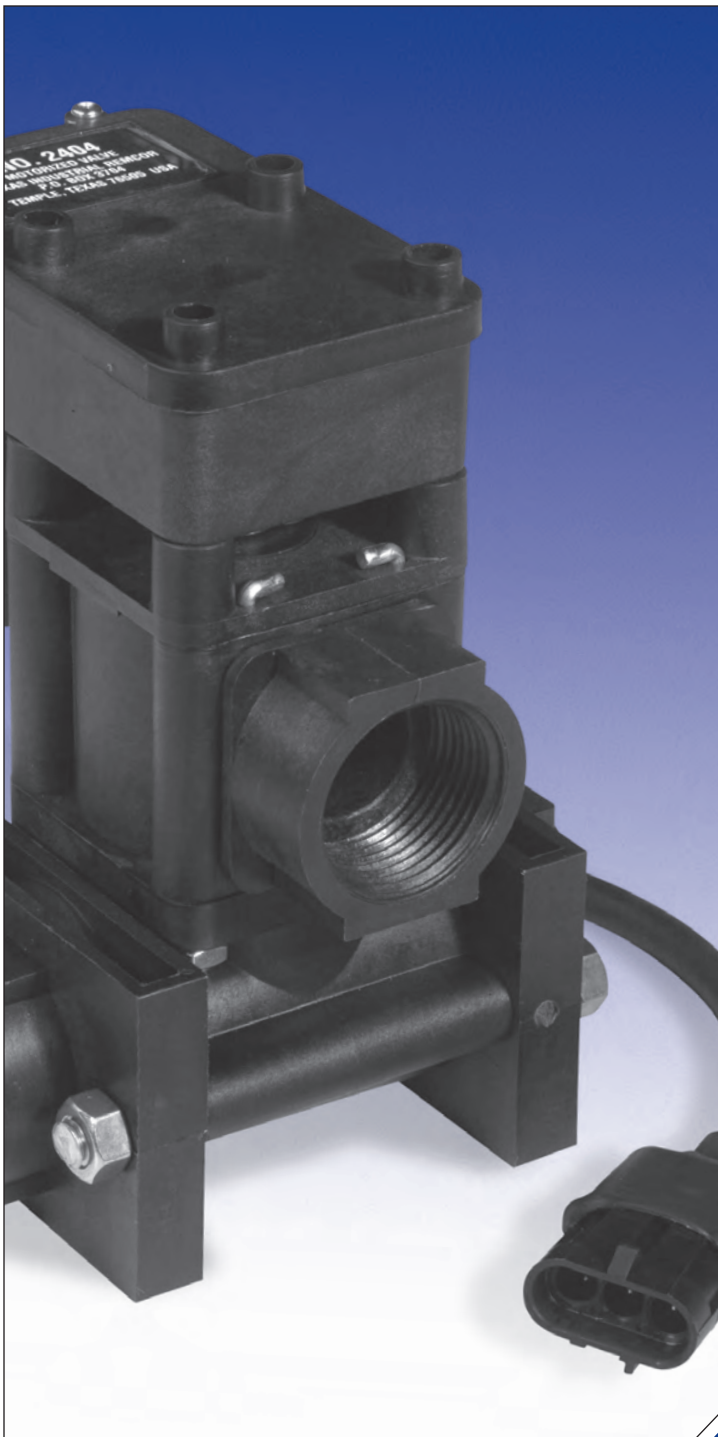
2402

The **2404 valves** are mounted on a stackable manifold and can accommodate up to 5 sections. They can be assembled with 1" NPT or 1-1/2" NPT end plates on both ends or with a blank end plate on one end. Mounting holes are on the bottom of the end plates.

- 2404-1** Shutoff Valve, single
- 2404-2** Shutoff Valve, double
- 2404-3** Shutoff Valve, triple
- 2404-4** Shutoff Valve, quadruple
- 2404-5** Shutoff Valve, quintuple

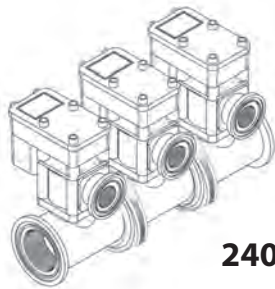


2404-3



2404F flanged valves have flanged manifold and outlet fittings. Additionally, the flanged manifold has 1-1/2" NPT threads and the flanged outlet has 3/4" NPT threads. Flanges have gasket sets enabling fitting to a variety of other brand valves.

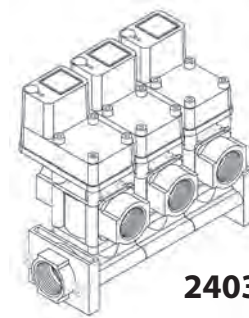
- 2404-1F** Shutoff Valve, single
- 2404-2F** Shutoff Valve, double
- 2404-3F** Shutoff Valve, triple
- 2404-4F** Shutoff Valve, quadruple
- 2404-5F** Shutoff Valve, quintuple
- 2445** Repair Kit for 2402, 2404 or 2404F Valve



2404-3F

2403 The 2403 valves are mounted on a stackable manifold and can accommodate up to 5 sections. They can be assembled with 1" NPT or 1-1/2" NPT end plates on both ends or with a blank end plate on one end. Mounting holes are on the bottom of the end plates.

- 2403-1** Shutoff Valve, single
- 2403-2** Shutoff Valve, double
- 2403-3** Shutoff Valve, triple
- 2403-4** Shutoff Valve, quadruple
- 2403-5** Shutoff Valve, quintuple

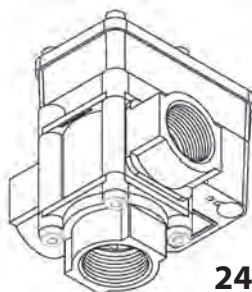


2403-3

2400 Series 3-Way Motorized Valves (18 GPM, 150 PSI, 12 Volt)

Series 2400 3-way valves have only 5 PSI pressure drop at 18 GPM. Wetted parts are made of glass filled nylon and 303 stainless. Easy to replace Viton face seal. Totally enclosed motor with sealed connector, draws 2.5 Amp. max. Motor is protected by a self resetting fuse. Open and closing time .8 sec.

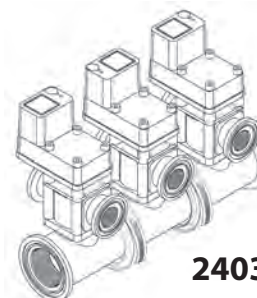
- 2401** The 2401 is a single valve with a 1" NPT bottom inlet and 1" NPT side outlets



2401

2403F flanged valves have flanged manifold and outlet fittings. Additionally, the flanged manifold has 1-1/2" NPT threads and the flanged outlets have 3/4" NPT threads. Flanges have gasket sets enabling fitting to a variety of other brand valves.

- 2403-1F** Shutoff Valve, single
- 2403-2F** Shutoff Valve, double
- 2403-3F** Shutoff Valve, triple
- 2403-4F** Shutoff Valve, quadruple
- 2403-5F** Shutoff Valve, quintuple
- 2447** Repair Kit for 2401, 2403 or 2403F Valve



2403-3F

2 OR 3 WAY ELECTRIC BALL VALVES

ELECTRIC BALL VALVES

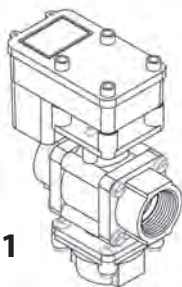
2700 Series 2 or 3 Way Electric Ball Valves

(30 GPM, 200 PSI, 12 Volt)

SOLD AS 2-WAY; MAY BE CONVERTED TO 3-WAY BY CUSTOMER

Series 2700 12-Volt DC Electric Ball Valves can be used for either 2 or 3-way applications. One outlet is plugged for 2-way applications – for 3-way applications, the plug may be removed. Only 5 PSI pressure drop at 30 GPM. Wetted parts are made of glass filled nylon and 303 stainless steel. Equipped with Teflon shaft and ball seals. Totally enclosed motor with sealed connector, draws 2.5 Amp. max. Motor is protected by a self resetting fuse. Open and closing time .8 sec.

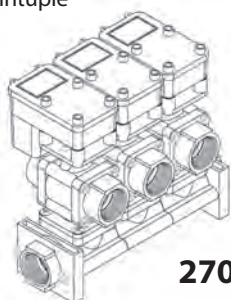
2701 The 2701 is a single valve with a 1" NPT bottom inlet and 1" NPT side outlets.



2701

The **2702** valves are mounted on stackable manifold and can accommodate up to 5 sections. The manifold can be assembled with 1" NPT or 1-1/2" NPT end plates on both ends or with a blank plate on one end. Outlets are 1" NPT. Mounting holes are on the bottom of the end plates.

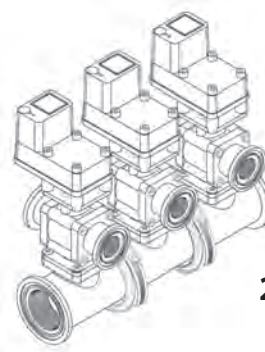
- 2702-1** Shutoff Valve, single
- 2702-2** Shutoff Valve, double
- 2702-3** Shutoff Valve, triple
- 2702-4** Shutoff Valve, quadruple
- 2702-5** Shutoff Valve, quintuple



2702-3

2702F flanged valves have flanged manifold and outlet fittings. Additionally, the flanged manifold has 1-1/2" NPT threads and the outlet fittings have 3/4" NPT threads. Flanges have gasket sets enabling fitting to a variety of other brand valves.

- 2702-1F** Shutoff Valve, single
- 2702-2F** Shutoff Valve, double
- 2702-3F** Shutoff Valve, triple
- 2702-4F** Shutoff Valve, quadruple
- 2702-5F** Shutoff Valve, quintuple
- 2532** Repair Kit for 2701, 2702 or 2702F Valve

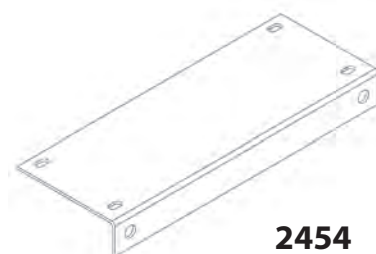


2702-3F

Optional Equipment for 2400 and 2700 Series Valves (for Valves with Bolted Type Manifold)

Valve Mounting Brackets are formed from 14 gauge stainless steel. Screws for attaching brackets to valve(s) are included.

- 2452** Bracket for 1 valve
- 2453** Bracket for 2 valves
- 2454** Bracket for 3 valves
- 2455** Bracket for 4 valves
- 2456** Bracket for 5 valves



2454

SPRAYER CONTROLS

SPRAYER CONTROLS FOR 2400 & 2700 SERIES MOTORIZED SHUTOFF VALVES

The **2490** is a single Control System for sprayers which require control for only one motorized boom shutoff valve. Includes 0-200 PSI pressure gauge, control panel with mounting bracket, toggle-type on-off boom switch and pressure regulator switch, 8-ft. power cord with fuse holder and fuse, 20-ft. sprayer harness and 1541A 1" pressure regulator.

2490 Single Control System with 1541A 1" Pressure Regulator

The **2460** is a remote Control System for sprayers which require 2 or 3 motorized boom shutoff valves. Equipped with a 10-ft. cab harness and a 10-ft. sprayer harness with quick disconnects for quick and easy coupling of the sprayer to the tractor. Includes 0-160 PSI pressure gauge, adjustable mounting bracket, toggle-type regulator switch, master switch and on-off switches for motorized shutoff valves, 8-ft. power cord, fuse holder with fuse, high pressure gauge line encased in the tight fitting jacket of the wiring harnesses and a 1541A 1" pressure regulator

2460 Remote Control System with 1541A 1" Pressure Regulator and switches for 3 motorized shutoff valves

2460L Remote Control System with 1541A 1" Pressure Regulator, 1734L Liquid Filled Gauge and switches for 3 motorized shutoff valves

2550 Remote Control System with 1541A 1" Pressure Regulator and switches for 2 motorized shutoff valves

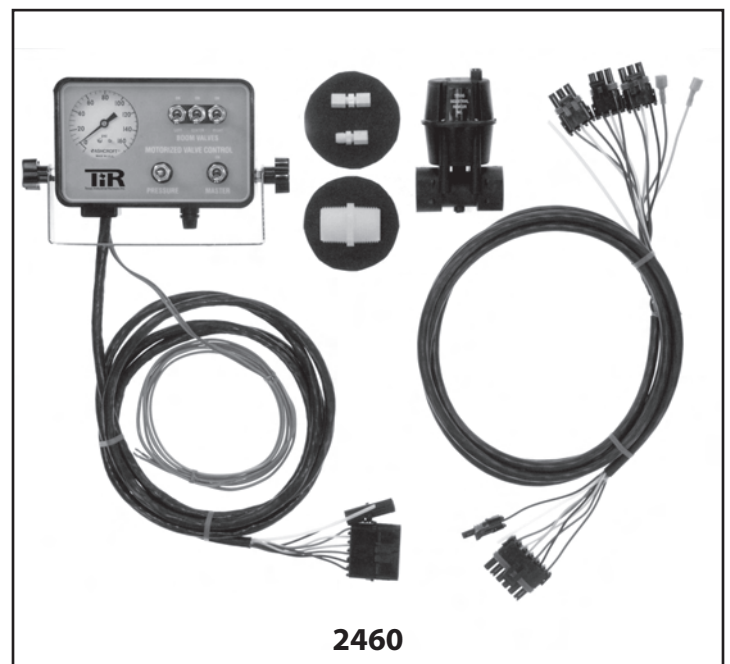
2550L Remote Control System with 1541A 1" Pressure Regulator, 1734L Liquid Filled Gauge and switches for 2 motorized shutoff valves

2545 Remote Control System with 1541A 1" Pressure Regulator and switches for 5 motorized shutoff valves

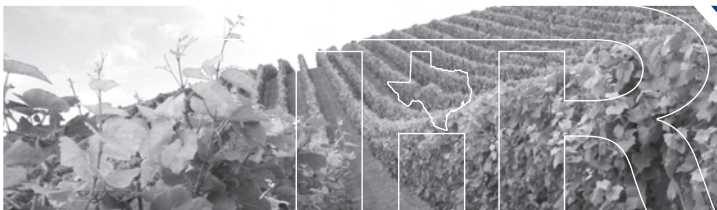
2545L Remote Control System with 1541A 1" Pressure Regulator, Liquid Filled Gauge and switches for 5 motorized shutoff valves

2653 Optional Equipment -15' extension harness

Contact factory for controls with Weather Pack disconnects.



MANUAL VALVE

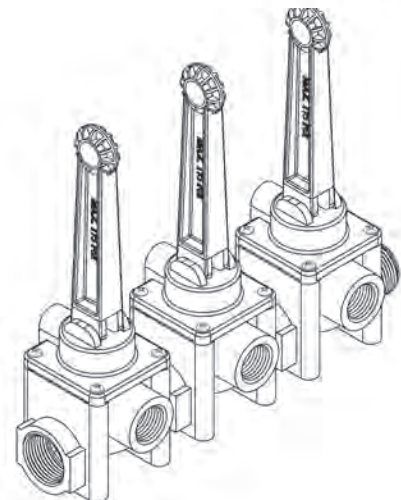
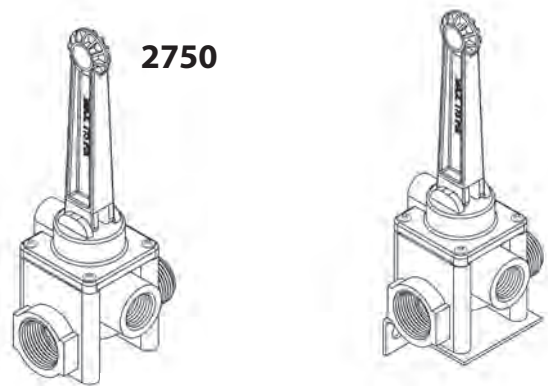


MANUAL VALVE

2750 Manual Valve (0-10 GPM, 175 PSI)

The **2750 Manual Valve** has a 3/4" NPT male and female inlet and bypass and a 1/2" NPT female boom outlet. Wetted parts are made of glass filled nylon and 302 stainless. Viton seal and "O" ring are easy to replace.

2750 The 2750 is a manual valve with a 1/4" NPT pump pressure point that needs to be drilled, to function.



- 2148** Mounting Bracket for single valve
- 2149** Mounting Bracket for double valves
- 2151** Mounting Bracket for triple valves

Electric Sprayer Pressure Regulators

The model **1560A** and **1541A** Electric Pressure Regulators are equipped with a precision high torque motor and gear reduction and a high strength body for heavy-duty service. Chemical resistant glass filled nylon body, stainless steel motor shaft and butterfly and Viton seal. Low current draw, 50 MA at 12-volt. Maximum recommended pressure is 150 PSI. Speed at 12 volt = 1 RPM or at 6-volt = .5 RPM.

1560A 3/4" NPT with 3/4" orifice and close-tolerance butterfly for use as either bypass regulator or throttling valve. Use for flow rates up to 50 GPM

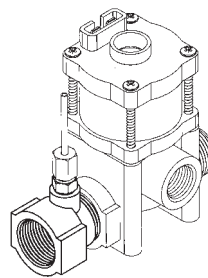
1541A 1" NPT with 1" orifice. Use for flow rates from 15 to 100 GPM



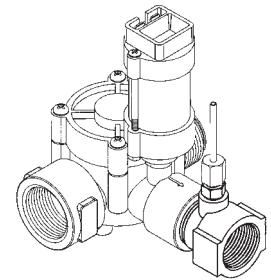
Pressure Adaptor

The Pressure Adaptor is used to connect the 1/8" gauge tubing to the spray line. With the 2100B, 2500B or 2502B valves the adaptor is used on the inlet side of the valve; while with the 1999A valve, the adaptor is screwed into the outlet.

2152 Pressure Adaptor



2100B, 2500B or 2502B



1999A

Switch & Wire Assembly For Pressure Regulators

Assembly includes a 2-way switch with 8-ft. battery power cord and 8-ft. wires from switch to regulator connector.

1625 Switch & Wire Assembly for 1541A or 1560A Pressure Regulator



Chemical Isolator Kit

The Chemical Isolator Kit keeps chemicals from entering the tractor or truck cab for added operator safety. Dampens and protects pressure gauge from corrosive chemicals. Large capacity assures accurate pressure reading. Maximum operating pressure, 150 PSI (1000 kPa). Pre-filled at the factory with non-toxic RV antifreeze.

2300 Chemical Isolator Kit with mounting bracket and fitting for both 1/8" and 1/4" tubing.

2391 Chemical Isolator with mounting bracket and 1/4" female NPT threads without tube fittings

2350 Chemical Isolator with mounting bracket and 1/8" female NPT threads without tube fittings.

Switch & Wire Assembly For Solenoid Shutoff Valves

Switch & Wire Assembly for on-off control of one solenoid shutoff valve. Includes on-off switch with 8-ft. battery power cord and 8-ft. wires with connectors for solenoid valve.

2114 Switch & Wire Assembly





QUALITY VALVES AND CONTROLS. TODAY AND TOMORROW.

4 EASY WAYS TO ORDER

Online:

www.sprayervalves.com

Phone:

254-982-4236

Fax:

254-982-4836

Mail:

Texas Industrial Remcor, Inc.
P.O. Box 3704
Temple, Texas 76505
USA

PRICING AND TERMS

Terms are cash with order or COD.

Accounts and terms are available for firms with approved credit.

All prices are F.O.B. Temple, Texas

Prices and specifications are subject to change without notice.

Distributed By:

LIMITED WARRANTY

Texas Industrial Remcor, Inc. guarantees that this product shall be free from defects in workmanship, under normal usage, for a period of 90 days from the date of original purchase. Defective units or parts should be returned to the factory with transportation prepaid. If inspection shows them to be defective, they will be repaired or replaced without charge. The use of pipe dope could void warranty. Texas Industrial Remcor, Inc. assumes no liability for consequential damages.