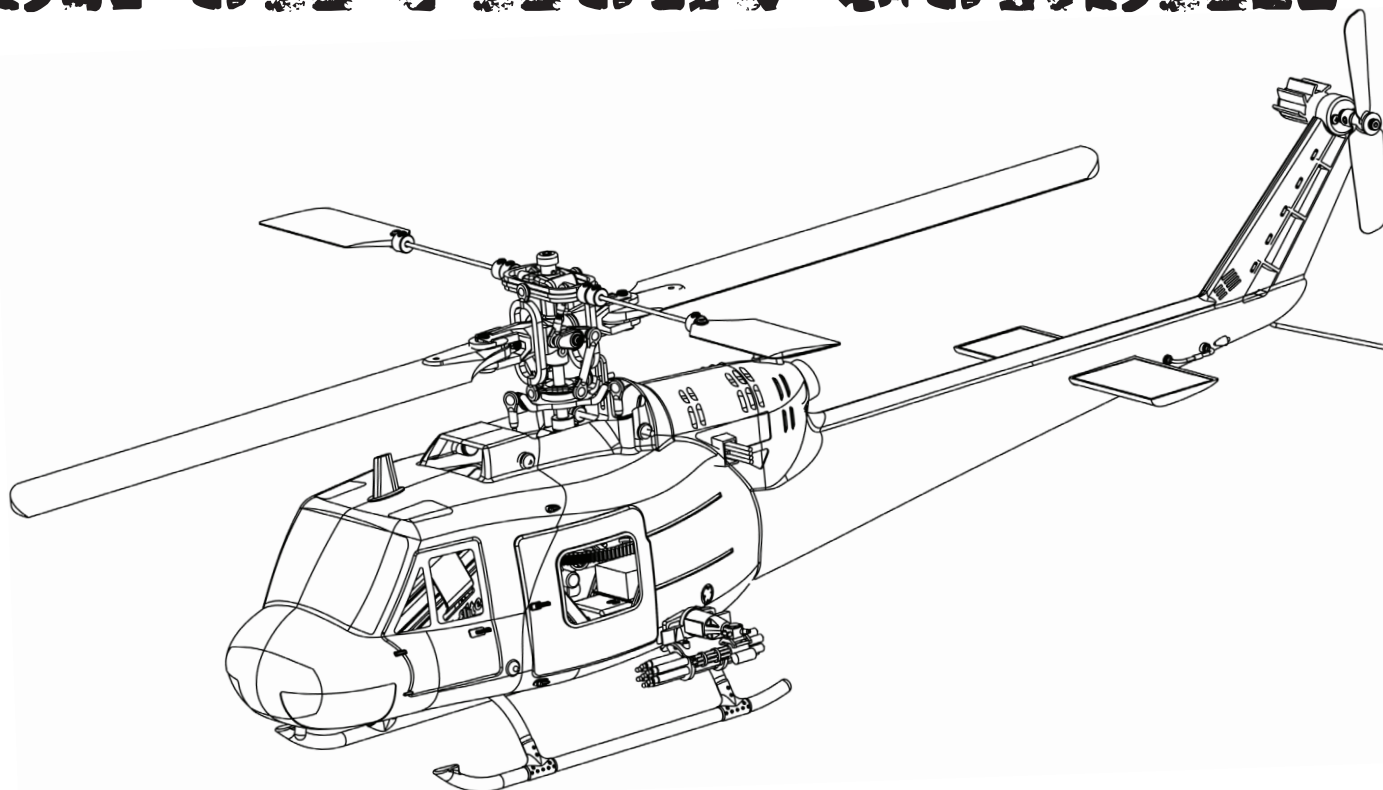


**RTF**

**BLADE**<sup>®</sup>

**#1 BY DESIGN**

# SR UH-1 HUEY GUNSHIP



**Instruction Manual**

## NOTICE

All instructions, warranties and other collateral documents are subject to change at the sole discretion of Horizon Hobby, Inc. For up-to-date product literature, visit [horizonhobby.com](http://horizonhobby.com) and click on the support tab for this product.


## Meaning of Special Language

The following terms are used throughout the product literature to indicate various levels of potential harm when operating this product:

**NOTICE:** Procedures, which if not properly followed, create a possibility of physical property damage AND a little or no possibility of injury.

**CAUTION:** Procedures, which if not properly followed, create the probability of physical property damage AND a possibility of serious injury.

**WARNING:** Procedures, which if not properly followed, create the probability of property damage, collateral damage, serious injury or death OR create a high probability of superficial injury.

 **WARNING:** Read the ENTIRE instruction manual to become familiar with the features of the product before operating. Failure to operate the product correctly can result in damage to the product, personal property and cause serious injury.

This is a sophisticated hobby product. It must be operated with caution and common sense and requires some basic mechanical ability. Failure to operate this Product in a safe and responsible manner could result in injury or damage to the product or other property. This product is not intended for use by children without direct adult supervision. Do not attempt disassembly, use with incompatible components or augment product in any way without the approval of Horizon Hobby, Inc. This manual contains instructions for safety, operation and maintenance. It is essential to read and follow all the instructions and warnings in the manual, prior to assembly, setup or use, in order to operate correctly and avoid damage or serious injury.

## Additional Safety Precautions and Warnings

**Age Recommendation: Not for children under 14 years.** This is not a toy.

- Always keep a safe distance in all directions around your model to avoid collisions or injury. This model is controlled by a radio signal subject to interference from many sources outside your control. Interference can cause momentary loss of control.
- Always operate your model in open spaces away from full-size vehicles, traffic and people.
- Always carefully follow the directions and warnings for this and any optional support equipment (chargers, rechargeable battery packs, etc.).

- Always keep all chemicals, small parts and anything electrical out of the reach of children.
- Always avoid water exposure to all equipment not specifically designed and protected for this purpose. Moisture causes damage to electronics.
- Never place any portion of the model in your mouth as it could cause serious injury or even death.
- Never operate your model with low transmitter batteries.

## Battery Warnings

- Never leave charging batteries unattended.
- Always charge batteries away from flammable materials.
- Never charge batteries outside safe temperature range.
- Never charge batteries outside recommended levels.
- Never charge damaged batteries.
- Store batteries safely.
- By handling, charging or using the included Li-Po battery, you assume all risks associated with lithium batteries.
- If at any time the battery begins to balloon or swell, discontinue use immediately. If charging or discharging, discontinue and disconnect. Continuing to use, charge or discharge a battery that is ballooning or swelling can result in fire.
- Always store the battery at room temperature in a dry area for best results.
- Always transport or temporarily store the battery in a temperature range of 40–120° F. Do not store battery or model in a car or direct sunlight. If stored in a hot car, the battery can be damaged or even catch fire.
- NEVER USE A Ni-Cd OR Ni-MH CHARGER. Failure to charge the battery with a compatible charger may cause fire resulting in personal injury and/or property damage.
- Never discharge Li-Po cells to below 3V under load.
- Never cover warning labels with hook and loop strips.

The Battery Charger included with your aircraft is designed to safely charge the Li-Po battery.



**CAUTION:** All instructions and warnings must be followed exactly. Mishandling of Li-Po batteries can result in a fire, personal injury, and/or property damage.

## FRANCE RF SETTING:

The included transmitter has a France RF setting that complies with French regulations. When in France, always use the France power setting when operating the transmitter outdoors. See page 7 for more information.

## Introduction

The UH-1 Huey was the first turbine powered helicopter to enter production for the U.S. Military and is most famously known for its service in the Vietnam War. This scale licensed Huey is based on that famous helicopter. Combined with SR flight characteristics, the Blade® Huey is a great combination of scale and performance for Ready to Fly helis.

Before you fly the helicopter, you must read this manual. The Blade SR UH-1 Huey is a sophisticated Radio Controlled flying machine that has some features and pre-flight checks you will need to be familiar with before you fly.



## Table of Contents

Charging the Flight Battery .....	4
Low Voltage Cutoff (LVC) .....	4
Throttle Hold .....	4
Stunt Mode .....	5
Transmitter and Receiver Binding .....	5
Installing the Flight Battery .....	5
Control Test .....	6
Elevator .....	6
Collective Pitch .....	6
Aileron .....	6
Flying the Blade SR UH-1 Huey .....	7
Gyro Gain Adjustment .....	7
Post-Flight Inspections and Maintenance .....	7
RF Mode .....	7
Limited Warranty .....	8
Warranty and Service Contact Information .....	8
Customer Service Information .....	8
FCC Information .....	9
Compliance Information for the European Union .....	9
Exploded View .....	10
Parts List .....	13

## Blade SR UH-1 Huey Specifications

<b>Length</b>	25.8 in (655mm)
<b>Height</b>	9.3 in (235mm)
<b>Main Rotor Diameter</b>	21.8 in (550mm)
<b>Tail Rotor Diameter</b>	3.2 in (80mm)
<b>Gross Weight</b>	12 oz (340 g)

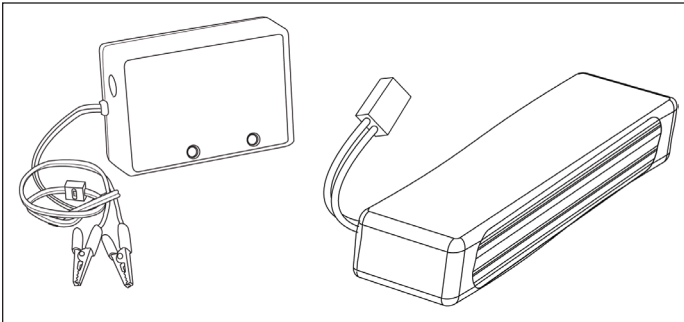
## Components

<b>Main Motor</b>	Brushless outrunner, 3900Kv (installed)
<b>Tail Motor</b>	Direct drive N60 (installed)
<b>Onboard Electronics</b>	2-in-1 Mixer/ESC (installed)
<b>Battery</b>	3S 11.1V 1000mAh Li-Po
<b>Charger</b>	DC Li-Po Balancing Charger Power Supply AC to 12V DC, 1.5A
<b>Transmitter</b>	HP6DSM SR 2.4GHz DSM® 6-Channel with AA Batteries
<b>Receiver</b>	Spektrum™ 6100e Microlite 6-Channel DSM® Receiver (installed)
<b>Swash Servos</b>	DS75 Digital Sub-Micro (installed)
<b>Gyro</b>	G110 Micro Heading Lock (installed)

To register your product online, visit [www.bladehelis.com](http://www.bladehelis.com)

## Charging the Flight Battery

The Blade SR UH-1 Huey comes with a DC balancing charger and 3S Li-Po battery. You must charge the included Li-Po battery pack with a Li-Po specific charger only (such as the included charger). Never leave the battery and charger unattended during the charge process. Failure to follow the instructions properly could result in a fire. When charging, make sure the battery is on a heat-resistant surface. Fully charge the flight battery before binding the aircraft or performing control tests.



### DC Li-Po Balancing Charger Features

- Charges 3-cell lithium polymer battery packs
- 800mA charge rate
- LED charge status indicator
- 12V alligator clip input cord

#### Specifications

- Input power: 12V DC, 1.5-amp
- Charges 3-cell Li-Po packs with minimum capacity of 1000mAh

#### 3S 11.1V 1000mAh Li-Po Battery Pack

The Blade SR UH-1 Huey 3S Li-Po battery pack features a balancing lead that allows you to safely charge your battery pack when used with the included Li-Po balancing charger.

**⚠ WARNING:** The balance connector must be inserted into the correct port of your charger prior to charging.

## The Battery Charging Process

1. Charge only batteries that are cool to the touch and are not damaged. Look at the battery to make sure it is not damaged e.g., swollen, bent, broken or punctured.
2. Connect the charger to a 12V power source or the included AC power supply, noting proper polarity.
3. The red LED flashes.
4. Connect the battery balance lead to the charger. The balance connector is keyed to prevent reverse polarity.
5. The red and green LEDs glow solid when the battery is charging.
6. Charging is complete when only the red LED glows solid.
7. Always unplug the battery from the charger immediately upon completion of charging.

**⚠ CAUTION:** Overcharging a battery can cause a fire.

**NOTICE:** Attempting to charge an over-discharged battery will cause the charger to repeatedly flash red and green, indicating an error has occurred.

**⚠ CAUTION:** Only use a charger specifically designed to charge a Li-Po battery. Failure to do so could result in fire causing injury or property damage.

**⚠ CAUTION:** Never exceed the manufacturer's recommended charge rate.

## Low Voltage Cutoff (LVC)

The ESC will continuously lower power to the motor until complete shutdown occurs once the battery reaches 9V under load. This helps prevent over-discharge of the Li-Po battery. Land immediately when the helicopter requires increased throttle to maintain hover. Continuing to fly after LVC can damage the battery, cause a crash or both. Crash damage and batteries damaged due to over-discharge are not covered under warranty.

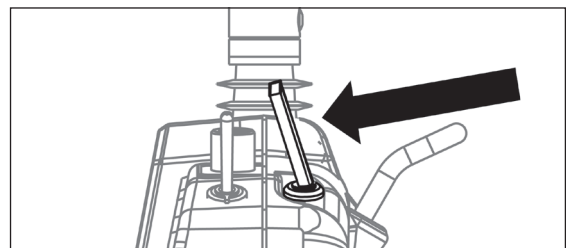
Disconnect and remove the Li-Po battery from the aircraft after use to prevent trickle discharge. Fully charge and store the Li-Po battery in a safe location. During storage, ensure the battery charge does not fall below 3V per cell.

## Throttle Hold

Throttle hold only turns off the motor on an electric helicopter. You must maintain pitch and direction control.

The blades will spin if the throttle hold is OFF (0). For safety, turn the throttle hold ON (1) any time you need to touch the helicopter or check the direction controls.

Additionally, throttle hold is used to turn off the motor if the helicopter is out of control, in danger of crashing, or both. Throttle hold will also allow you to perform an auto-rotation landing once the helicopter has sufficient altitude.



## Stunt Mode

Stunt Mode allows you to fly aerobatics.

### When the helicopter is in stunt mode:

- The rotor head speed is constant.
- The main rotor will increase negative pitch as the throttle/collective stick is moved from the middle stick position to the low stick position. Negative pitch allows the helicopter to fly upside down and perform mild aerobatics.

Change between stunt and idle up modes in a hover with the throttle near the middle stick position.

The helicopter may go up or down when you change between modes due to the difference in the throttle and pitch curves.

Turn the SM TCM ADJ knob to the full clockwise (+) position for maximum throttle in stunt mode.

## Transmitter and Receiver Binding

Binding is the process of programming the receiver to recognize the GUID (Globally Unique Identifier) code of a single specific transmitter. You need to 'bind' your chosen Spektrum™ DSM technology equipped aircraft transmitter to the receiver for proper operation.

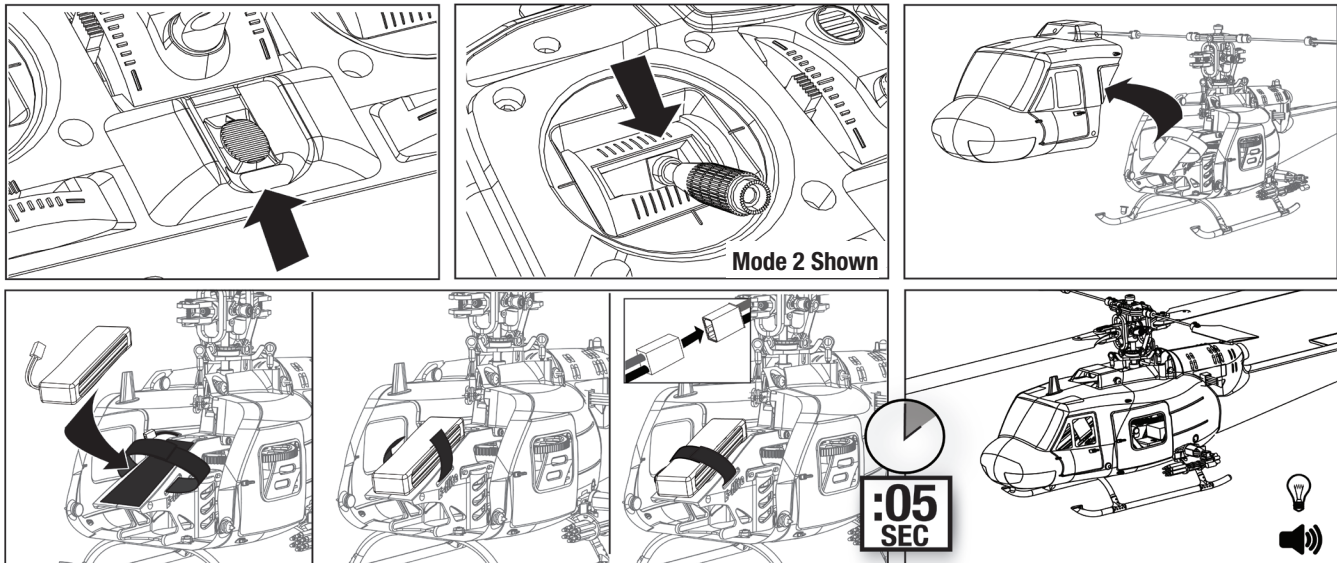
If you choose to use a different Spektrum DSM radio than the one included, please follow these binding instructions for proper operation.

### Binding Procedure

1. Read the transmitter instructions for binding to a receiver (location of transmitter's Bind control).
2. Make sure the transmitter is powered off.
3. Install a bind plug in the helicopter's extension labeled 'bind'.
4. Connect the flight battery to the ESC. The receiver LED will begin to flash rapidly.
5. Move the transmitter controls to neutral (flight controls: rudder, elevators and ailerons) or to low positions (throttle).
6. Power on the transmitter while holding the transmitter bind button or switch. Refer to your transmitter's manual for instructions.
7. When the receiver binds to the transmitter, the receiver light will turn solid.
8. Disconnect the flight battery from the ESC. Remove the bind plug from the extension.
9. Safely store the bind plug (some owners attach the bind plug to their transmitter using two-part loops and clips).
10. The receiver will keep the bind to the transmitter until another binding is done.
11. Always perform the control test shown in this manual before flying the helicopter.

If you encounter problems, refer to the transmitter troubleshooting guide for other instructions. If needed, contact the appropriate Horizon Product Support office.

## Installing the Flight Battery



1. Power on the transmitter.
2. Lower throttle and center the throttle trim.
3. Attach loop material to the battery and hook material to the helicopter frame.
4. Install the flight battery on the helicopter frame. Secure the battery with a hook and loop strap. Connect the battery cable to the ESC.
5. Wait 5 seconds while the gyro initializes.
6. The aircraft will emit 2 tones and a solid red LED on the gyro once it is ready.

**⚠ WARNING:** After connecting the battery, move Throttle Hold (TH HOLD) switch to position (1).

**⚠ CAUTION:** Always disconnect the Li-Po battery from the aircraft receiver when not flying to avoid over-discharging the battery. Batteries discharged below 9V may become damaged, resulting in loss of performance and potential fire when batteries are charged.

Do not move the helicopter after connecting the flight battery to let the helicopter gyro calibrate. Do not allow the battery to touch the motor.

## Control Test

Place the helicopter on a clean and flat ground surface (concrete or asphalt) free of obstructions. Always stay clear of the moving rotor blades.

**CAUTION:** Keep pets and other animals away from the helicopter. Animals may injure themselves if they attack or run toward the helicopter.

1. Move the throttle stick to idle/low stick position and move all transmitter switches to the (0) position.
2. Turn the transmitter on.

**CAUTION:** The transmitter battery alarm beeps when the transmitter batteries are 4.3V or less. Replace the transmitter batteries when the alarm beeps.

3. Connect the red JST battery connector to the helicopter's 2-in-1 unit. Do not allow the helicopter to move until the red LED on the gyro is solid.
4. The motor beeps twice when the helicopter's 2-in-1 unit arms properly. Move the Throttle Hold (TH HOLD) switch to the (1) position.

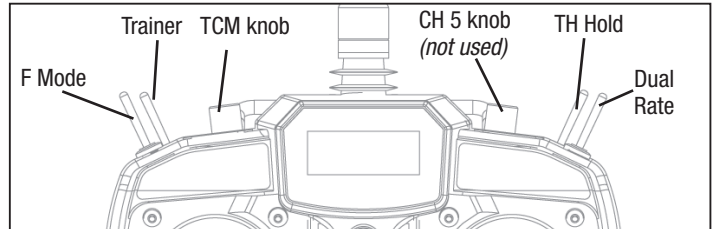
**WARNING:** The motor, main rotor and tail rotor will spin when the throttle is increased if the TH HOLD switch is not moved to the (1) position.

5. Check the swashplate directions to ensure they are moving in the correct direction. Please refer to the diagrams below for reference.
6. Place the helicopter in an open area outdoors.

**WARNING:** Stay at least 30 feet (10 meters) away from the helicopter when the motor is running. Do not attempt to fly the helicopter at this time.

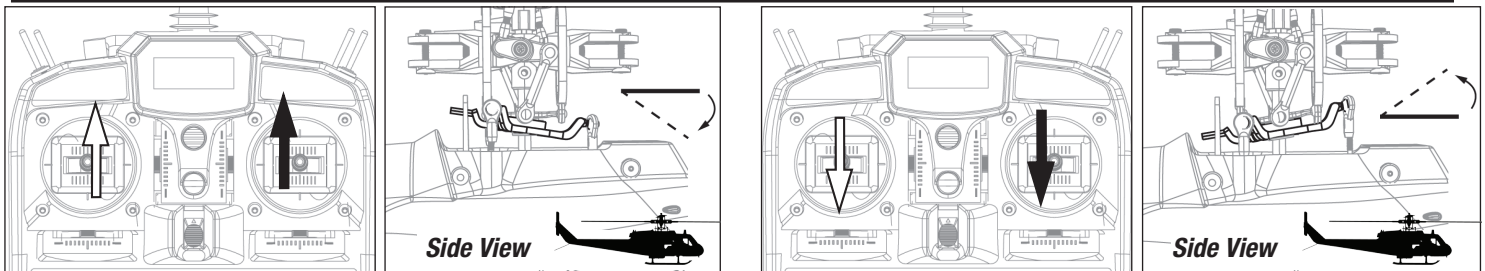
7. Ensure the throttle is lowered completely. Move the TH HOLD switch to the (0) position. Slowly increase the throttle until the blades begin to spin. The main blades spin clockwise when viewing the helicopter from the top. The tail rotor blades spin counterclockwise when viewing the helicopter from the right-hand side.

**NOTICE:** If the main rotor blades are spinning backward, reduce the throttle to idle. Move the throttle hold switch to the (1) position. Disconnect the battery from the helicopter and reverse any two motor wire connections to the 2-in-1 unit.

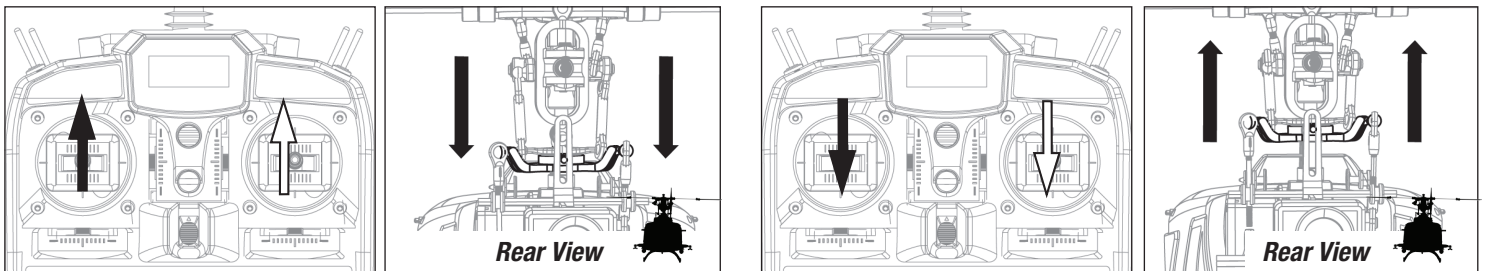


## Elevator

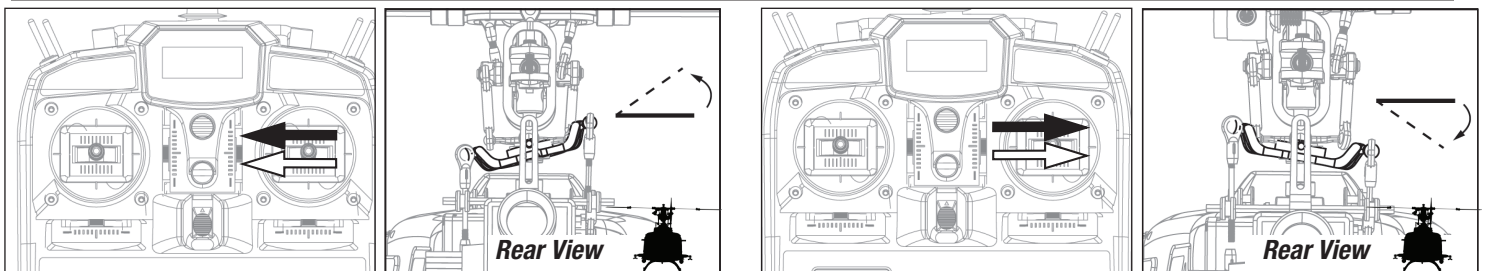
MODE 2 ↑ MODE 1 ↑



## Collective Pitch



## Aileron



## Flying the Blade SR UH-1 Huey

- Always keep the aircraft in sight and under control.
- Always ensure spectators, especially children, are at least 40 feet away when the motor is running.
- Always turn on throttle hold at rotor strike.
- Always use fully charged batteries.
- Always keep transmitter powered on while aircraft is powered.
- Always remove batteries before disassembly
- Always keep moving parts clean.
- Always keep parts dry.
- Always let parts cool after use before touching.
- Always remove batteries after use.
- Never operate aircraft with damaged wiring
- Never touch moving parts

### Consult local laws and ordinances before choosing a location to fly your aircraft.

Select a large, open area away from people and objects. Your first flights should be outdoors in low-wind conditions. Do not attempt to fly the Blade SR UH-1 Huey helicopter indoors. Always stay at least 30 feet (10 meters) away from the helicopter when it is flying.

The Blade UH-1 Huey is not intended to be flown indoors where it might be possible to fly a Blade mSR or Blade CX2. Experienced pilots may find it possible to fly the helicopter in a large gymnasium.

**CAUTION:** Familiarize yourself with the Blade SR UH-1 Huey primary controls before attempting your first flight. The Huey is more responsive than other Blade helicopters, such as the Blade CX2. We recommend getting help from an experienced pilot and installing training gear, if you are new to collective pitch helicopters.

While attempting to establish a low-level hover, you can also check to see if any trim adjustments are required to help keep the SR UH-1 Huey from constantly drifting in various directions. If you find the aircraft drifts without any directional control input, land the model before making any adjustments to the trim settings.

- If the helicopter drifts forward or backward, adjust the elevator trim.
- If the helicopter drifts to the left or right, adjust the aileron trim.

**CAUTION:** Always fly the helicopter with your back to the sun and wind to prevent loss of flight control.

Continue making trim adjustments until the helicopter hovers at a low altitude with very little drifting and directional control input. If the Blade SR UH-1 Huey is your first helicopter model, seek help from an experienced pilot to trim the model for you before making your first flight.

## Gyro Gain Adjustment

- If the tail wags or oscillates, lower the gain on the gyro.  
Turn the pot on the gyro counterclockwise. You can access it through the hole in the side of the fuselage.
- If the tail is drifting while hovering, increase the gain on the gyro.  
Turn the pot on the gyro clockwise. You can access it through the hole in the side of the fuselage.

### Stock Dip Switch Settings on Gyro

Servo Mode	STD
Reverse	NOR

## Post-Flight Inspections and Maintenance

<b>Ball Links</b>	Make sure the plastic ball link holds the control ball, but is not tight or binding on the ball. When a link is too loose on the ball, it can separate from the ball during flight and cause a crash. Replace worn ball links before they fail.
<b>Cleaning</b>	Make sure the battery is not connected before cleaning. Remove dust and debris with a soft brush or a dry, lint-free cloth.
<b>Bearings</b>	Replace the bearings when they become sticky in places when turning.
<b>Wiring</b>	Make sure the wiring does not block moving parts. Replace any damaged wiring and loose connectors.
<b>Fasteners</b>	Make sure there are no loose screws, fasteners or connectors. Do not over tighten metal screws in plastic parts. Tighten screws so the parts are mated together, then turn the screw only 1/8th of a turn more. Make sure the main rotor blade screws are properly tightened. Do not allow main rotor blades to move freely in the blade grips.
<b>Rotors</b>	Make sure there is no damage to the rotor blades or other parts that move at high speed. Damage to these parts include: cracks, burrs, chips or scratches. Replace damaged parts before flying.

## RF Mode

The included transmitter has a France RF Mode that complies with French regulations. The transmitter must be in France mode when used outdoors in France. At all other times, the transmitter should be in Standard mode.

### FRANCE MODE

Power on the transmitter, flip the D/R switch until the screen displays "F".

### STANDARD MODE

Power on the transmitter. Move the D Rate switch between Hi and Lo until the screen displays "nF".

## Limited Warranty

### What this Warranty Covers

Horizon Hobby, Inc. ("Horizon") warrants to the original purchaser that the product purchased (the "Product") will be free from defects in materials and workmanship at the date of purchase.

### What is Not Covered

This warranty is not transferable and does not cover (i) cosmetic damage, (ii) damage due to acts of God, accident, misuse, abuse, negligence, commercial use, or due to improper use, installation, operation or maintenance, (iii) modification of or to any part of the Product, (iv) attempted service by anyone other than a Horizon Hobby authorized service center, or (v) Products not purchased from an authorized Horizon dealer.

OTHER THAN THE EXPRESS WARRANTY ABOVE, HORIZON MAKES NO OTHER WARRANTY OR REPRESENTATION, AND HEREBY DISCLAIMS ANY AND ALL IMPLIED WARRANTIES, INCLUDING, WITHOUT LIMITATION, THE IMPLIED WARRANTIES OF NON-INFRINGEMENT, MERCHANTABILITY AND FITNESS FOR A PARTICULAR PURPOSE. THE PURCHASER ACKNOWLEDGES THAT THEY ALONE HAVE DETERMINED THAT THE PRODUCT WILL SUITABLY MEET THE REQUIREMENTS OF THE PURCHASER'S INTENDED USE.

### Purchaser's Remedy

Horizon's sole obligation and purchaser's sole and exclusive remedy shall be that Horizon will, at its option, either (i) service, or (ii) replace, any Product determined by Horizon to be defective. Horizon reserves the right to inspect any and all Product(s) involved in a warranty claim. Service or replacement decisions are at the sole discretion of Horizon. Proof of purchase is required for all warranty claims. SERVICE OR REPLACEMENT AS PROVIDED UNDER THIS WARRANTY IS THE PURCHASER'S SOLE AND EXCLUSIVE REMEDY.

### Limitation of Liability

HORIZON SHALL NOT BE LIABLE FOR SPECIAL, INDIRECT, INCIDENTAL OR CONSEQUENTIAL DAMAGES, LOSS OF PROFITS OR PRODUCTION OR COMMERCIAL LOSS IN ANY WAY, REGARDLESS OF WHETHER SUCH CLAIM IS BASED IN CONTRACT, WARRANTY, TORT, NEGLIGENCE, STRICT LIABILITY OR ANY OTHER THEORY OF LIABILITY, EVEN IF HORIZON HAS BEEN ADVISED OF THE POSSIBILITY OF SUCH DAMAGES. Further, in no event shall the liability of Horizon exceed the individual price of the Product on which liability is asserted. As Horizon has no control over use, setup, final assembly, modification or misuse, no liability shall be assumed nor accepted for any resulting damage or injury. By the act of use, setup or assembly, the user accepts all resulting liability. If you as the purchaser or user are not prepared to accept the liability associated with the use of the Product, purchaser is advised to return the Product immediately in new and unused condition to the place of purchase.

### Law

These terms are governed by Illinois law (without regard to conflict of law principals). This warranty gives you specific legal rights, and you may also have other rights which vary from state to state. Horizon reserves the right to change or modify this warranty at any time without notice.

## WARRANTY SERVICES

### Questions, Assistance, and Services

Your local hobby store and/or place of purchase cannot provide warranty support or service. Once assembly, setup or use of the Product has been started, you must contact your local distributor or Horizon directly. This will enable Horizon to better answer your questions and service you in the event that you may need any assistance. For questions or assistance, please direct your email to [productsupport@horizonhobby.com](mailto:productsupport@horizonhobby.com), or call 877.504.0233 toll free to speak to a Product Support representative. You may also find information on our website at [www.horizonhobby.com](http://www.horizonhobby.com).

### Inspection or Services

If this Product needs to be inspected or serviced, please use the Horizon Online Service Request submission process found on our website or call Horizon to obtain a Return Merchandise Authorization (RMA) number. Pack the Product securely using a shipping carton. Please note that original boxes may be included, but are not designed to withstand the rigors of shipping without additional protection. Ship via a carrier that provides tracking and insurance for lost or damaged parcels, as Horizon is not responsible for merchandise until it arrives and is accepted at our facility. An Online Service Request is available at <http://www.horizonhobby.com> under the Support tab. If you do not have internet access, please contact Horizon Product Support to obtain a RMA number along with instructions for submitting your product for service. When calling Horizon, you will be asked to provide your complete name, street address, email address and phone number where you can be reached during business hours. When sending product into Horizon, please include your RMA number, a list of the included items, and a brief summary of the problem. A copy of your original sales receipt must be included for warranty consideration. Be sure your name, address, and RMA number are clearly written on the outside of the shipping carton.

**NOTICE: Do not ship LiPo batteries to Horizon. If you have any issue with a LiPo battery, please contact the appropriate Horizon Product Support office.**

### Warranty Requirements

**For Warranty consideration, you must include your original sales receipt verifying the proof-of-purchase date.** Provided warranty conditions have been met, your Product will be serviced or replaced free of charge. Service or replacement decisions are at the sole discretion of Horizon.

### Non-Warranty Service

**Should your service not be covered by warranty service will be completed and payment will be required without notification or estimate of the expense unless the expense exceeds 50% of the retail purchase cost.** By submitting the item for service you are agreeing to payment of the service without notification. Service estimates are available upon request. You must include this request with your item submitted for service. Non-warranty service estimates will be billed a minimum of ½ hour of labor. In addition you will be billed for return freight. Horizon accepts money orders and cashiers checks, as well as Visa, MasterCard, American Express, and Discover cards. By submitting any item to Horizon for service, you are agreeing to Horizon's Terms and Conditions found on our website <http://www.horizonhobby.com/Service/Request/>.

## Warranty and Service Contact Information

Country of Purchase	Horizon Hobby	Address	Phone Number / Email Address
United States of America	Horizon Service Center (Electronics and engines)	4105 Fieldstone Rd Champaign, Illinois, 61822 USA	877-504-0233 Online Repair Request visit: <a href="http://www.horizonhobby.com/service">www.horizonhobby.com/service</a>
	Horizon Product Support (All other products)	4105 Fieldstone Rd Champaign, Illinois, 61822 USA	877-504-0233 <a href="mailto:productsupport@horizonhobby.com">productsupport@horizonhobby.com</a>
United Kingdom	Horizon Hobby Limited	Units 1-4 Ployters Rd Staple Tye Harlow, Essex, CM18 7NS, United Kingdom	+44 (0) 1279 641 097 <a href="mailto:sales@horizonhobby.co.uk">sales@horizonhobby.co.uk</a>
Germany	Horizon Technischer Service	Hamburger Str. 10 25335 Elmshorn, Germany	+49 4121 46199 66 <a href="mailto:service@horizonhobby.de">service@horizonhobby.de</a>
France	Horizon Hobby SAS	14 Rue Gustave Eiffel Zone d'Activité du Réveil Matin 91230 Montgeron	+33 (0) 1 60 47 44 70 <a href="mailto:infofrance@horizonhobby.com">infofrance@horizonhobby.com</a>

## Customer Service Information

Country of Purchase	Horizon Hobby	Address	Phone Number / Email Address
United States	Sales	4105 Fieldstone Rd Champaign, Illinois, 61822 USA	(800) 338-4639 <a href="mailto:sales@horizonhobby.com">sales@horizonhobby.com</a>
United Kingdom	Horizon Hobby Limited	Units 1-4 Ployters Rd Staple Tye Harlow, Essex, CM18 7NS, United Kingdom	+44 (0) 1279 641 097 <a href="mailto:sales@horizonhobby.co.uk">sales@horizonhobby.co.uk</a>
Germany	Horizon Hobby GmbH	Hamburger Str. 10 25335 Elmshorn, Germany	+49 4121 46199 60 <a href="mailto:service@horizonhobby.de">service@horizonhobby.de</a>
France	Horizon Hobby SAS	14 Rue Gustave Eiffel Zone d'Activité du Réveil Matin 91230 Montgeron	+33 (0) 1 60 47 44 70 <a href="mailto:infofrance@horizonhobby.com">infofrance@horizonhobby.com</a>



## FCC Information

This device complies with part 15 of the FCC rules. Operation is subject to the following two conditions: (1) This device may not cause harmful interference, and (2) this device must accept any interference received, including interference that may cause undesired operation.

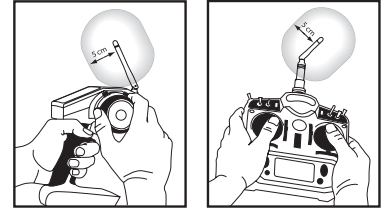
**CAUTION:** Changes or modifications not expressly approved by the party responsible for compliance could void the user's authority to operate the equipment.

This product contains a radio transmitter with wireless technology which has been tested and found to be compliant with the applicable regulations governing a radio transmitter in the 2.400GHz to 2.4835GHz frequency range.

### Antenna Separation Distance

When operating your E-flite transmitter, please be sure to maintain a separation distance of at least 5 cm between your body (excluding fingers, hands, wrists, ankles and feet) and the antenna to meet RF exposure safety requirements as determined by FCC regulations.

These illustrations show the approximate 5 cm RF exposure area and typical hand placement when operating your E-flite transmitter.



## Compliance Information for the European Union

AT	BG	CZ	CY	DE
DK	ES	FI	FR	GR
HU	IE	IT	LT	LU
LV	MT	NL	PL	PT
RO	SE	SI	SK	UK

### Declaration of Conformity

(in accordance with ISO/IEC 17050-1)

No. HH2011081201



Product(s): Blade SR UH-1 Huey Gunship RTF  
Item Number(s): BLH1700EU1, BLH1700EU2, BLH1700UK1, BLH1700UK2  
Equipment class: 2

The object of declaration described above is in conformity with the requirements of the specifications listed below, following the provisions of the European R&TTE Directive 1999/5/EC and EMC Directive 2004/108/EC:

EN 300-328 V1.7.1

EN 301 489-1 V1.7.1: 2006

EN 301 489-17 V1.3.2: 2008

EN 60950-1:2006+A11

EN55022: 2006,

EN55024: 1998+A1: 2001+A2: 2003

(EN61000-4-2: 2001, EN61000-4-3: 2006, EN61000-4-8: 2001)

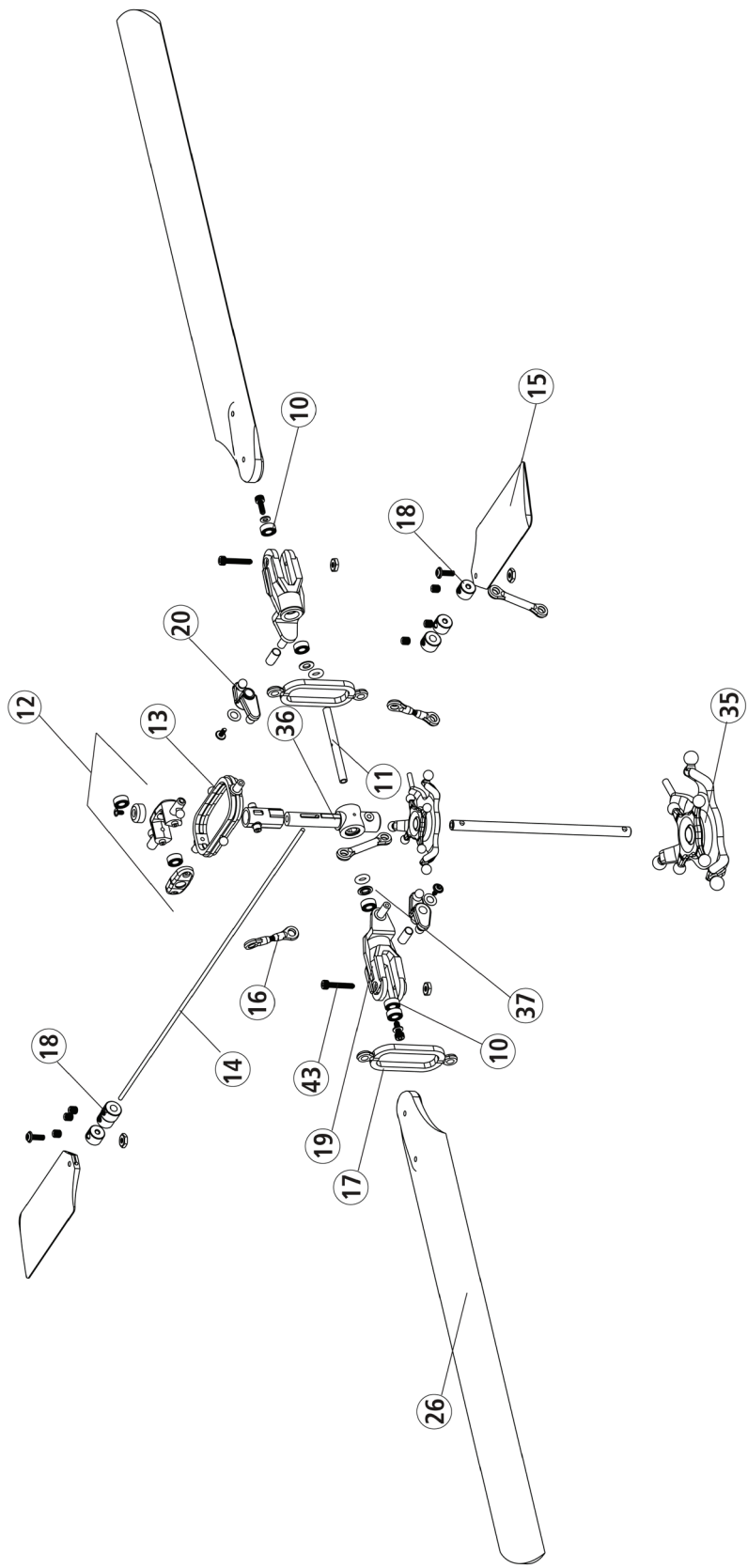
Signed for and on behalf of:  
Horizon Hobby, Inc.  
Champaign, IL USA  
August 12, 2011

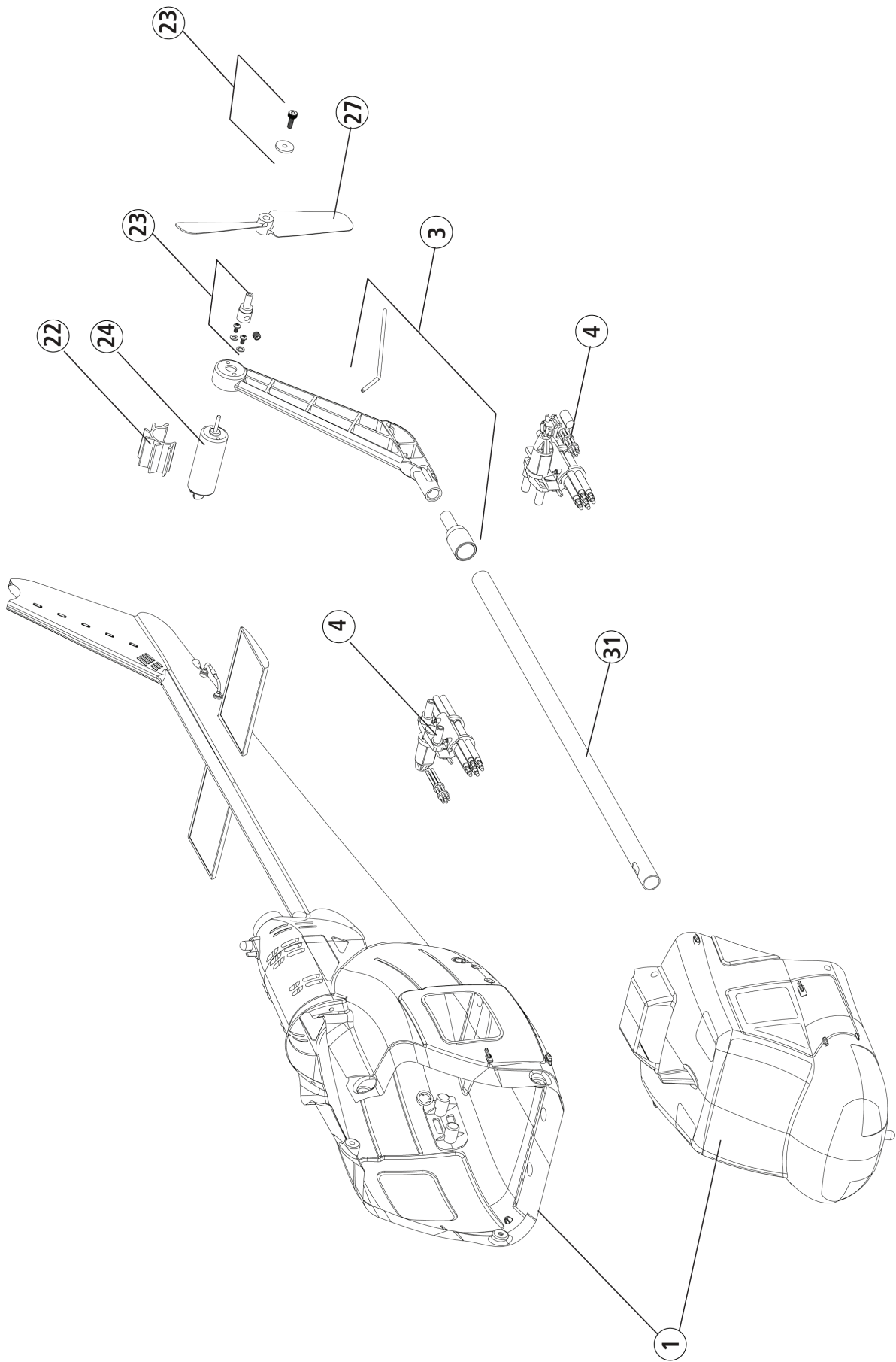
Steven A. Hall  
Vice President  
International Operations and Risk Management  
Horizon Hobby, Inc.

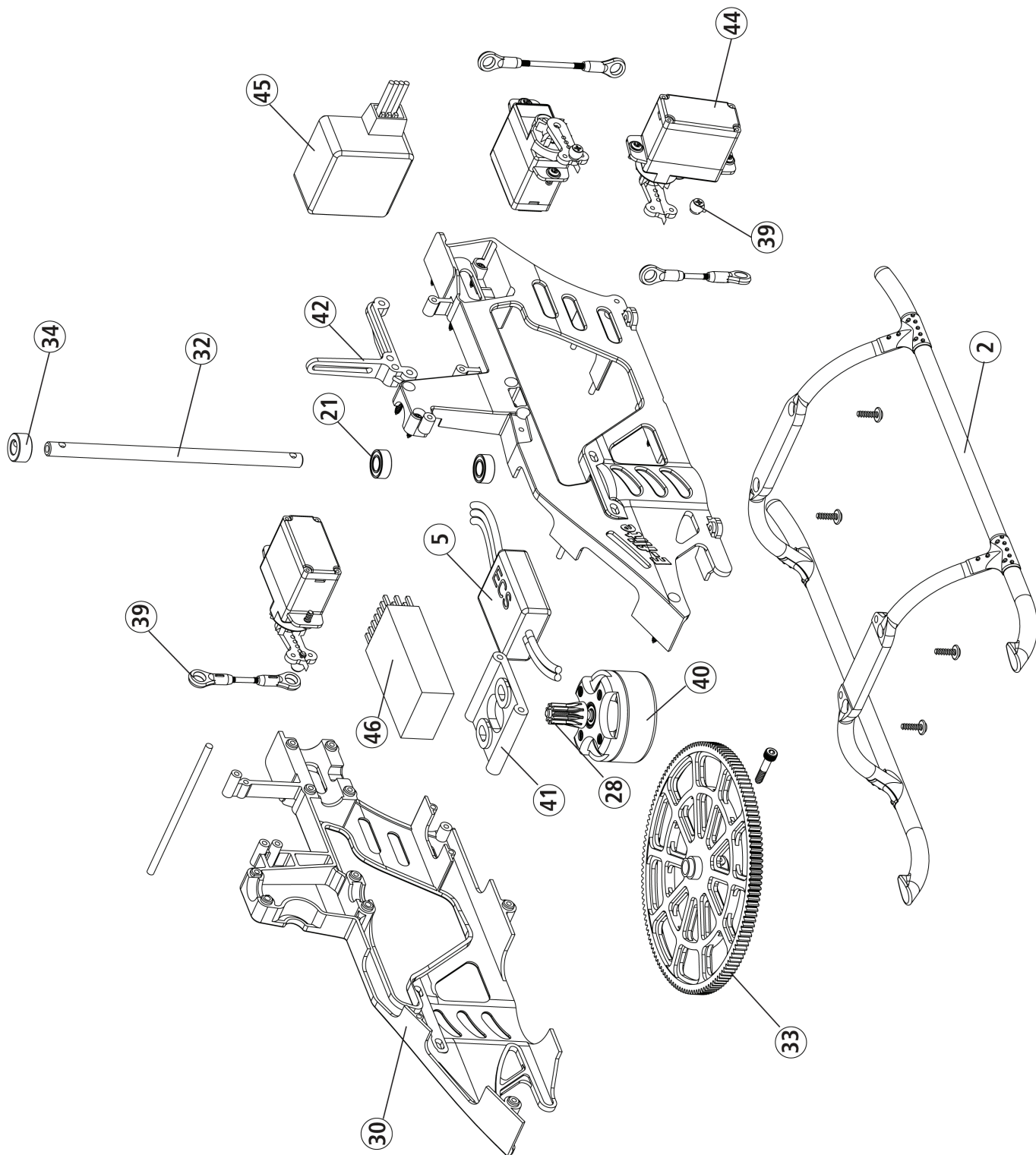
### Instructions for disposal of WEEE by users in the European Union



This product must not be disposed of with other waste. Instead, it is the user's responsibility to dispose of their waste equipment by handing it over to a designated collections point for the recycling of waste electrical and electronic equipment. The separate collection and recycling of your waste equipment at the time of disposal will help to conserve natural resources and ensure that it is recycled in a manner that protects human health and the environment. For more information about where you can drop off your waste equipment for recycling, please contact your local city office, your household waste disposal service or where you purchased the product.







## Parts List

#	Part #	Description
1	BLH1740	SR UH-1 Huey Gunship Body Kit: SR Huey
2	BLH1741	Landing Gear Set: SR Huey
3	BLH1742	Tail Motor Mount Assembly: SR Huey
4	BLH1743	Gun Pods: SR Huey
5	EFLA308H	2-in-1 Helicopter Brushless ESC/Mixer: BSR/Huey
6	EFLB0998	1000mAh 3S 11.1V 20C LiPo 20AWG JST
7	EFLC3105	3-Cell Li-Po Balancing Charger, 0.8A
8	EFLC4000	AC to 12VDC, 1.5-Amp Power Supply
	EFLC4000AU	AC to 12VDC, 1.5 Amp Power Supply AU Plug
	EFLC4000EU	AC to 12VDC, 1.5 Amp Power Supply EU Plug
	EFLC4000UK	AC to 12VDC, 1.5 Amp Power Supply UK Plug
9	EFLH1057	HP6DSM 6-Channel Transmitter, 2.4GHz DSM2: BSR/Huey
10	EFLH1115	Bearing 3x6x2.5mm (2):BCP/P/B400/BSR/Huey
11	EFLH1523	Spindle/Feathering Shaft (2): BCP/BCPP/BCPP2/BSR/Huey
12	EFLH1146	Rotor Head Set: BCP, BCPP, BSR/Huey
13	EFLH1148	Paddle Control Frame: BCP, BCPP, BSR/Huey
14	EFLH1149	Flybar (2): BCP, BCPP, BSR/Huey
15	EFLH1150	Paddle Set: BCP, BCPP, BSR/Huey
16	EFLH1151	Pitch Control Link Set: BCP, BCPP, BSR/Huey
17	EFLH1163	Paddle Control Frame Pushrod Set: BCP, BCPP, BSR/Huey
18	EFLH1165	Flybar Weight (2): BCP, BCPP, BSR/Huey
19	EFLH1171	Bell Mixer Main Blade Grip Set: BCP, BCPP, BSR/Huey
20	EFLH1172	Bell Mixer Arm & Pushrod Set: BCP, BCPP, BSR/Huey
21	EFLH1215	Bearing 4 x 8 x 3mm (2): BCX/2/3, BSR/Huey
22	EFLH1319	Direct-Drive N60 Tail Motor Heat Sink: BCPP2, BSR/Huey

#	Part #	Description
23	EFLH1323	Direct-Drive Tail Rotor Blade/Prop Adapter: BCPP2, BSR/Huey
24	EFLH1322	Direct-Drive N60 Tail Motor: BCPP2, BSR/Huey
26	EFLH1385	Main Blades, Huey: BCP, CP+, CPro, CPro2, BSR/Huey
27	EFLH1387	Tail Rotor Blade Black, Huey: BCP,CP+,CPro,CPro2, BSR/Huey
28	EFLH1409	Pinion Gear, 9T 0.5M: B400, BSR/Huey, B450
29	EFLH1444	Hook and Loop Battery Strap: B400, BSR/Huey
30	EFLH1501	Main Frame: BSR/Huey
31	EFLH1503	Tail Boom, Blue: BSR/Huey
32	EFLH1508	Main Shaft (2): BSR/Huey
33	EFLH1509	Main Gear: BSR/Huey
34	EFLH1510	Main Shaft Retaining Collar: BSR/Huey
35	EFLH1511	Swashplate: BSR/Huey
36	EFLH1512	Center Hub: BSR/Huey
37	EFLH1513	O-Ring & Shim Set: BSR/Huey
38	EFLH1514	Hardware Set: BSR/Huey
39	EFLH1515	Servo Pushrod Set: BSR/Huey
40	EFLH1516	3900Kv Brushless Motor: BSR/Huey
41	EFLH1517	Motor Mount: BSR/Huey
42	EFLH1524	Anti-Rotation Bracket/Guide: BSR/Huey
43	EFLH1525	Blade Grip Bolts: BCP/CP/BSR/Huey
44	EFLRDS75H	7.5-Gram DS75 Digital Sub-Micro Helicopter Servo
45	EFLRG110HL	11.0-Gram G110 Micro Heading Lock Gyro
46	SPMAR6100EB	DSM2 6-CH Replacement Receiver for Blade Heli End Pin

## Optional Part

Part #	Description
EFLA625	Light Kit SR UH-1 Huey

©2011 Horizon Hobby, Inc.

US 7, 391, 320. Other patents pending.

Blade, DSM and DSM2 are trademarks or registered trademarks of Horizon Hobby, Inc.

The Spektrum trademark is used with permission of Bachmann Industries, Inc.

Bell, Huey, and UH-1 Iroquois emblems, logos, and body designs are trademarks of Textron Innovations Inc. and are used under license by Horizon Hobby, Inc.

Created 8/11 32619.US BLH1700