

STA-RITE®

Max-E-Therm® Pool & Spa Heater

OPERATION AND INSTALLATION MANUAL

⚠ WARNING

FOR YOUR SAFETY - READ BEFORE OPERATING

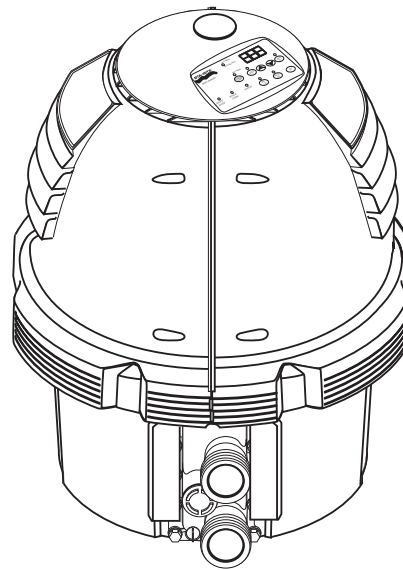
Warning: If you do not follow these instructions exactly, a fire or explosion may result, causing property damage, personal injury or loss of life.

For additional free copies of this manual; call (800) 831-7133.

120/240 VAC NATURAL GAS/LP GAS

| MODELS | Natural | Propane | HD |
|--------------------|---------|---------|---------|
| 200K BTU/HR | SR200NA | SR200LP | SR200HD |
| 250K BTU/HR (ASME) | 460767 | 460768 | |
| 333K BTU/HR | SR333NA | SR333LP | SR333HD |
| 400K BTU/HR | SR400NA | SR400LP | SR400HD |
| 400K BTU/HR (ASME) | 460763 | 460764 | |

FOR YOUR SAFETY - This product must be installed and serviced by authorized personnel, qualified inpool/spa heater installation. Improper installation and/or operation can create carbon monoxide gas and flue gases which can cause serious injury, property damage, or death. For indoor installations, as an additional measure of safety, Pentair Water Pool and Spa, Inc. strongly recommends installation of suitable Carbon Monoxide detectors in the vicinity of this appliance and in any adjacent occupied spaces. Improper installation and/or operation will void the warranty.



**OWNER:
Retain For
Future
Reference**

⚠ WARNING

Warning: Improper installation, adjustment, alteration, service or maintenance can cause property damage, personal injury or death. Installation and service must be performed by a qualified installer, service agency or the gas supplier.

For Your Safety

WHAT TO DO IF YOU SMELL GAS

- Do not try to light any appliance.
- Do not touch any electrical switch; do not use any phone in your building.
- Immediately call your gas supplier from a neighbor's phone. Follow the gas supplier's instructions.
- If you cannot reach your gas supplier, call the fire department.

DO NOT store or use gasoline or other flammable vapors and liquids in the vicinity of this or other appliances.

Pentair Water Pool and Spa, Inc.

1620 Hawkins Ave., Sanford, NC 27330 • (800) 831-7133 or (919) 566-8000
10951 W. Los Angeles Ave., Moorpark, CA 93021 • (800) 831-7133 or (805) 553-5000

Customer Service

If you have questions about ordering Pentair Pool and Spa® replacement parts, and pool products, please call:

Customer Service and Technical Support (8 A.M. to 5 P.M. Eastern Time/Pacific Time)

Phone: (800) 831-7133

Fax: (800) 284-4151

Web sites

www.pentairpool.com - www.staritepool.com

© 2012 Pentair Water Pool and Spa, Inc. All rights reserved.

1620 Hawkins Ave., Sanford, NC 27330 • (800) 831-7133 or (919) 566-8000

10951 West Los Angeles Ave., Moorpark, CA 93021 • (800) 831-7133 or (805) 553-5000

293 Wright Street, Delavan, WI 53115 • (262) 728-5551

This document is subject to change without notice.

Sta-Rite®, Max-E-Therm®, IntelliTouch® and EasyTouch® are trademarks and/or registered trademarks of Pentair Water Pool and Spa, Inc. and/or its affiliated companies in the United States and/or other countries. Saf-T Vent® is a registered trademark of Selkirk Corporation. Unless noted, names and brands of others that may be used in this document are not used to indicate an affiliation or endorsement between the proprietors of these names and brands and Pentair Water Pool and Spa, Inc. Those names and brands may be the trademarks or registered trademarks of those parties or others.

Contents

| | |
|---|-----------|
| Section 1. Introduction | 4 |
| Important Notices | 4 |
| Warranty Information | 4 |
| Code Requirements | 5 |
| Consumer Information and Safety Information | 6 - 8 |
| General Specifications | 8 |
| Section 2. Installation | 9 |
| Heater Description | 9 |
| Sequence of Operation/Putting the Heater into Service | 9 |
| Specifications | 10 |
| Plumbing Connections | 11 |
| Valves | 11 |
| Manual By-Pass | 11 |
| Water Connections | 12 |
| Below Pool Installation | 12 |
| Gas Connections | 13 |
| Sediment Traps | 13 |
| Gas Pipe Sizing | 14 |
| Testing Gas Pressure/Gas Pressure Requirements | 15 |
| Outdoor Installation | 16 |
| Outdoor Installation Venting Guidelines | 17 |
| Indoor Venting—General Requirements (Category I & Category III – clarification) | 18 |
| Heater Clearances | 18 |
| Outside Vent Removal | 18 |
| Combustion Air Supply | 19 |
| Corrosive Vapors and Possible Causes | 19 |
| Vent Installation (Indoor Installation for U.S. or Outdoor Shelter for Canada) | 20 |
| Vertical Venting - Negative Pressure | 20 - 22 |
| Horizontal or Vertical Venting - Positive Pressure | 23 |
| Connecting Special Gas Venting | 23 - 25 |
| Outdoor Shelter Installation | 26 |
| Garage or Utility Room Installation | 26 |
| Control Panel Indexing | 27 |
| Final Installation Check | 27 |
| Electrical Connections | 28 |
| Fireman's Switch Connection/Remote Control Connections | 29 |
| Max-E-Therm® Wiring Diagram | 30 |
| Electrical Schematic Ladder Diagram | 31 |
| Section 3. Operation | 32 |
| Basic System Operation | 32 |
| HSI (Hot-Surface Ignition) Lighting/Operation | 32 |
| Operating Instructions | 33 |
| To Turn Off Gas to Appliance | 33 |
| Safety Controls | 34 - 36 |
| Section 4. Troubleshooting | 37 |
| Initial Troubleshooting and Troubleshooting Chart | 37 |
| Heater Will Not Fire Troubleshooting | 38 - 41 |
| LED Diagnostics | 42 - 43 |
| Burner / Heat Exchanger Troubleshooting | 44 |
| Section 5. Maintenance | 45 |
| Care and Maintenance | 45 |
| Pressure Relief Valve | 45 |
| After Start-Up | 46 |
| Spring, Fall and Winter Operation | 46 |
| Maintaining Pool Temperature | 47 |
| Energy Saving Tips | 47 |
| Chemical Balance | 47 - 48 |
| Replacement Parts | 49 - 53 |

Introduction

Max-E-Therm® Pool and Spa Heater

Congratulations on your purchase of a Max-E-Therm high performance heating system. Proper installation and service of your new heating system and correct chemical maintenance of the water will ensure years of enjoyment. The Max-E-Therm is a lightweight, efficient, induced-draft, gas fired high performance pool and spa heater that can be directly connected to schedule 40 PVC pipe, [schedule 80 CPVC for ASME models only]. The Max-E-Therm also comes equipped with the Pentair multifunction temperature controller which shows, at a glance, the proper functioning of the heater. All Max-E-Therm heaters are designed with a direct ignition device, HSI (hot-surface ignition), which eliminates the need for a standing pilot. The Max-E-Therm requires an external power source (120/240 VAC 60 Hz) to operate.

SPECIAL INSTRUCTIONS TO OWNER: Retain this manual for future reference. This instruction manual provides operating instructions, installation and service information for the Max-E-Therm high performance heater. The information in this manual applies to all Max-E-Therm models. **READ AND REVIEW THIS MANUAL COMPLETELY**, it is very important that the owner/installer read and understand the section covering installation instructions, and recognize the local and state codes before installing the Max-E-Therm. Its use will reduce service calls and chance of injury and will lengthen product life. History and experience has shown that most heater damage is caused by improper installation practices.

IMPORTANT NOTICES

...For the installer and operator of the Max-E-Therm pool and spa heater. The manufacturer's warranty may be void if, for any reason, the heater is improperly installed and/or operated. Be sure to follow the instructions set forth in this manual. If you need any more information, or if you have any questions regarding to this pool heater, please contact Pentair Water Pool and Spa, Inc. at (800) 831-7133.

WARRANTY INFORMATION

The Max-E-Therm pool heater is sold with a limited factory warranty. *Specific details are described on the warranty registration card which is included with the product.* Return the warranty registration card after filling in the serial number from the rating plate inside the heater.

Pentair Water Pool and Spa's high standards of excellence include a policy of continuous product improvement resulting in your state-of-the-art heater. We reserve the right to make improvements which change the specifications of the heater without incurring an obligation to update the current heater equipment.

These heaters are designed for the heating of chlorine, bromine or salt system swimming pools and spas or in non-stationary installations, and should never be employed for use as space heating boilers or general purpose water heaters. The manufacturer's warranty may be void if, for any reason, the heater is improperly installed and/or operated. Be sure to follow the instructions set forth in this manual.

CAUTION

OPERATING THIS HEATER CONTINUOUSLY AT WATER TEMPERATURE BELOW 68° F. WILL CAUSE HARMFUL CONDENSATION AND WILL DAMAGE THE HEATER AND VOID THE WARRANTY. Do not use the heater to protect pools or spas from freezing if the final maintenance temperature desired is below 68° F., as this will cause condensation related problems.

CODE REQUIREMENTS

Installation must be in accordance with all local codes and/or the latest edition of the *National Fuel Gas Code, ANSI Z223.1/NFPA54* and the *National Electrical Code, ANSI/NFPA70 (U.S.)*, or standards *CSA B149 – INSTALLATION CODES FOR GAS-BURNING APPLIANCES AND EQUIPMENT* and/or local codes and *Standard CSA C22.1 – Canadian Electrical Code, Part 1 (Canada)*. The heater, when installed, must be electrically grounded and bonded in accordance with local codes, or, in absence of local codes, with the *Canadian Electrical Code* or the *National Electrical Code, ANSI/NFPA70*, as applicable.



⚠ DANGER

CARBON MONOXIDE GAS IS DEADLY – Exhaust from this pool heater contains toxic levels of carbon monoxide, a dangerous, poisonous gas you cannot see or smell.

CONSUMER INFORMATION AND SAFETY

⚠ WARNING


The U.S. Consumer Product Safety Commission warns that elevated water temperature can be hazardous. See below for water temperature guidelines before setting temperature.

1. Spa or hot tub water temperatures should never exceed 104° F. A temperature of 100° F is considered safe for a healthy adult. Special caution is suggested for young children. Prolonged immersion in hot water can induce hyperthermia.
2. Drinking of alcoholic beverages before or during spa or hot tub use can cause drowsiness which could lead to unconsciousness and subsequently result in drowning.
3. Pregnant women beware! Soaking in water above 100° F can cause fetal damage during the first three months of pregnancy (resulting in the birth of a brain-damaged or deformed child). Pregnant women should stick to the 100° F maximum rule.
4. Before entering the spa or hot tub, the user should check the water temperature with an accurate thermometer. Spa or hot tub thermostats may err in regulating water temperatures by as much as 4° F.
5. Persons with a medical history of heart disease, circulatory problems, diabetes or blood pressure problems should obtain their physician's advice before using spas or hot tubs.
6. Persons taking medication which induce drowsiness, such as tranquilizers, antihistamines or anticoagulants should not use spas or hot tubs.

⚠ WARNING

Should overheating occur or the gas supply fail to shut off, turn off the manual gas control valve to the heater. Do not use this heater if any part has been under water. Immediately call a qualified service technician to inspect the heater and to replace any part of control system and gas control which has been under water.

SAFETY INFORMATION

The Max-E-Therm® pool heaters are designed and manufactured to provide many years of safe and reliable service when installed, operated and maintained according to the information in this manual. Throughout the manual, safety warnings and cautions are identified by the “” symbol. Be sure to read and comply with all of the warnings and cautions.

DANGER — CARBON MONOXIDE GAS IS DEADLY

READ OWNERS MANUAL COMPLETELY BEFORE OPERATING

THIS PRODUCT MUST BE INSTALLED AND SERVICED BY A PROFESSIONAL SERVICE TECHNICIAN, QUALIFIED IN POOL HEATER INSTALLATION. Some jurisdictions require that installers be licensed. Check with your local building authority about contractor licensing requirements. Improper installation and/or operation could create carbon monoxide gas and flue gases which could cause serious injury or death. Improper installation and/or operation will void the warranty.

Exhaust from this pool heater contains toxic levels of carbon monoxide, a dangerous, poisonous gas you cannot see or smell. Symptoms of carbon monoxide exposure or poisoning include dizziness, headache, nausea, weakness, sleepiness, muscular twitching, vomiting and inability to think clearly. IF YOU EXPERIENCE ANY OF THE ABOVE SYMPTOMS, IMMEDIATELY TURN OFF THE POOL HEATER, LEAVE THE VICINITY OF THE POOL OR SPA AND GET INTO FRESH AIR IMMEDIATELY. THE POOL HEATER MUST BE THOROUGHLY TESTED BY A GAS PROFESSIONAL BEFORE RESUMING OPERATION.

EXCESSIVE CARBON MONOXIDE EXPOSURE CAN CAUSE BRAIN DAMAGE OR DEATH.


NEVER use this pool heater indoors without specified ventilation system (and properly installed vent pipe). NEVER use this pool heater in the home or in partly enclosed areas (such as garages), unless the specified ventilation system is used. If used outdoors, install far from open windows, doors, vents and other openings.

Pentair strongly recommends that all vents, pipes and exhaust systems be initially and periodically tested for proper operation. This testing can be accomplished by using a hand-held carbon monoxide meter and/or by consulting with a gas professional.

Pool heaters must be used in conjunction with carbon monoxide detectors installed near the pool heater. The carbon monoxide detectors must be periodically inspected for proper operation so as to insure continued safety. Broken or malfunctioning carbon monoxide detectors must be replaced immediately.


WARNING — FOR YOUR SAFETY

This product must be installed and serviced by a professional service technician, qualified in pool heater installation. Some jurisdictions require that installers be licensed. Check with your local building authority about contractor licensing requirements. Improper installation and/or operation could create carbon monoxide gas and flue gases which could cause serious injury or death. Improper installation and/or operation will void the warranty.

 **WARNING — This heater is equipped with an unconventional gas control valve that is factory set with a manifold pressure of -.2 inches wc.** Improper installation, adjustment, alteration, service or maintenance can cause property damage, personal injury or loss of life. Installation or service must be performed by a qualified installer, service agency or the gas supplier. If this control is replaced, it must be replaced with an identical control.


Do not attempt to adjust the gas flow by adjusting the regulator setting.


SAFETY INFORMATION, (cont'd.)


 **WARNING** — **Risk of fire or explosion from incorrect fuel use or faulty fuel conversion.** Do not try to run a heater set up for natural gas on propane gas or vice versa. Only qualified service technicians should attempt to convert heater from one fuel to the other. Do not attempt to alter the rated input or type of gas by changing the orifice. If it is necessary to convert to a different type of gas, consult your Pentair dealer. Serious malfunction of the burner can occur which may result in loss of life. Any additions, changes, or conversions required in order for the appliance to satisfactorily meet the application needs must be made by a Pentair dealer or other qualified agency using factory specified and approved parts. The heater is available for use with natural gas or LP (propane) gas only. It is not designed to operate with any other fuels. Refer to the nameplate for the type of gas the heater is equipped to use.

- Use heater only with the fuel for which it is designed.
- If a fuel conversion is necessary, refer this work to a qualified service technician or gas supplier before putting the heater into operation.

 **WARNING** — **Risk of fire or explosion from flammable vapors.** Do not store gasoline, cleaning fluids, varnishes, paints, or other volatile flammable liquids near heater or in the same room with heater.

 **WARNING** — **Risk of explosion if unit is installed near propane gas storage.** Propane (LP) gas is heavier than air. Consult local codes and fire protection authorities about specific installation requirements and restrictions. Locate the heater away from propane gas storage and filling equipment as specified by the Standard for the Storage and Handling of Liquefied Petroleum Gases, CAN/CSA B149.2 (latest edition) or ANSI/NFPA 58 (latest edition).

 **WARNING** — **Risk of fire, carbon monoxide poisoning, or asphyxiation if exhaust venting system leaks.** Only qualified service technicians should attempt to service the heater, as leakage of exhaust products or flammable gas may result from incorrect servicing.

 **WARNING** — **Risk of asphyxiation if exhaust is not correctly vented. Follow venting instructions exactly when installing heater.** Do not use a draft hood with this heater, as the exhaust is under pressure from the burner blower and a draft hood will allow exhaust fumes to blow into the room housing the heater. The heater is supplied with an integral venting system for outdoor installation. A vent conversion kit (See [Page 23](#) for Part Numbers for Conversion Kits) is available for installations in enclosures (Canada) or indoors (U.S.). Use the specified venting, and only the specified venting, when heater is installed in an enclosure or indoors. In Canada, this pool heater can only be installed outdoors or in an enclosure that is not normally occupied and has no openings directly into occupied areas. See [Page 19](#) for enclosure venting requirements.

 **CAUTION** — **Label all wires prior to disconnection when servicing controls. Wiring errors can cause improper and dangerous operation. Wiring errors can also destroy the control board.**

- Connect heater to **120 or 240 Volt, 60 Hz., Single Phase** power only.
- Verify proper operation after servicing.
- Do not allow children to play on or around heater or associated equipment.
- Never allow children to use the pool or spa without adult supervision.
- Read and follow other safety information contained in this manual prior to operating this pool heater.

GENERAL SPECIFICATIONS

NOTICE:

- Combustion air contaminated by corrosive chemical fumes can damage the heater and will void the warranty.
- The Combination Gas Control Valve on this heater differs from most appliance gas controls. If it must be replaced, for safety reasons replace it only with an identical gas control.
- The access door panels must be in place to provide proper ventilation. Do not operate the heater for more than five (5) minutes with the access door panels removed.
- This heater is design certified by CSA International as complying with the Standard for Gas Fired Pool Heaters, ANSI Z21.56/CSA 4.7, and is intended for use in heating fresh water swimming pools or spas.
- The heater is designed for the heating of chlorine, bromine or salt system swimming pools and spas. It should **NOT** be used as a space heating boiler, or general purpose water heater. The heater requires an external **120** or **240** VAC single-phase electric power source.
- The heater is design certified by CSA International for installation on combustibile flooring. Specified minimum clearances must be maintained to combustibile surfaces (see "Heater Clearances", [page 18](#)).
- The heater should be located in an area where leakage of the heater or connections will not result in damage to the area adjacent to the heater or to the structure. When such locations cannot be avoided, it is recommended that a suitable drain pan, adequately drained, be installed under the heater. The pan must not restrict air flow.
- The heater may not be installed within 5 ft. (1.5M) of the inside surface of a pool or spa unless it is separated by a solid fence, wall or other permanent barrier.

CONSUMER INFORMATION AND SAFETY

WARNING

The U.S. Consumer Product Safety Commission warns that carbon monoxide is an "invisible killer". Carbon monoxide is a colorless and odorless gas.

1. Carbon monoxide is produced by burning fuel, including natural gas and propane.
2. Proper installation, operation and maintenance of fuel-burning appliances in the home is the most important factor in reducing carbon monoxide poisoning.
3. Be sure that fuel burning appliances such as heaters are installed by professionals according to manufacturer's instructions and codes.
4. Always follow the manufacturer's directions for safe operation.
5. Have the heating system (including vents) inspected and serviced annually by a trained service technician.
6. Examine vents regularly for improper connections, visible cracks, rust or stains.
7. Install battery-operated carbon monoxide alarms. The alarms should be certified to the requirements of the most recent UL, IAS, CSA and IAPMO standard for carbon monoxide alarms. Test carbon monoxide alarms regularly and replace dead batteries.

Installation Instructions

HEATER DESCRIPTION

Figure 1 is a diagram of the heater showing how it operates. Precisely matched orifice plates meter the air and gas into the mixer. The blower draws the air and gas through the mixer and forces it into the burner's flame holder. A sealed heat exchanger surrounds the flame holder, discharging exhaust gases out the flue.

Two inch PVC water piping connects directly to the manifold/header on the heat exchanger using 2" PVC slip unions provided with the heater. The outer manifold remains cool; no heat sinks are required. A thermal regulator and an internal bypass regulate the water flow through the heat exchanger to maintain the correct outlet temperature. The heater operator control panel board assembly is located on top of the heater.

SEQUENCE OF OPERATION

An electronic temperature sensing **thermistor** in the manifold adapter inlet controls the heater operation. When the inlet water temperature drops below the temperature set on the **operating control**, the **burner controller** supplies power to the combustion **air blower** through a series of **safety interlocks**. The interlocks consist of:

- the **pressure switch (PS)**, which senses that the pump is running,
- the **high limit switch (HLS)**, which opens if the heat exchanger outlet temperature goes above 135° F (57° C), and
- the **air flow switch (AFS)**, which senses the pressure drop across the air metering orifice,
- the **automatic gas shut-off (AGS)** switch, which opens if the heat exchanger outlet temperature goes above 140° F (60° C).
- the **stack flue sensor (SFS)**, which shuts down the heater if the flue gas temperature reaches 480° F (249° C).

The air flow switch (AFS) senses the pressure drop across the air metering orifice. As soon as there is sufficient air flow, the AFS closes, closing the circuit to the **hot surface igniter (HSI)**, which ignites the fuel mixture. On a call for heat, the blower and HSI are energized. In about 20 seconds, the gas valve opens and ignition occurs. The HSI then switches to a sensing mode and monitors the flame.

The heater is equipped with a digital operating control that enables the user to pre-set the desired pool and spa water temperatures. The control enables the user to select between pool and spa heating, and features a digital display that indicates the water temperature.

PUTTING THE HEATER INTO SERVICE

If the heater is installed below the level of the pool, or more than two feet above pool level, the pressure switch setting should be adjusted. See WATER PRESSURE SWITCH, in the SAFETY CONTROLS Section.

Before putting the heater into service for the first time, follow the instructions under "BEFORE START-UP" (page 32) in the front of this manual. Check for proper operation of the heater by following the steps under "OPERATION INSTRUCTIONS."

Damage to equipment caused by improper installation or repair will void the warranty.

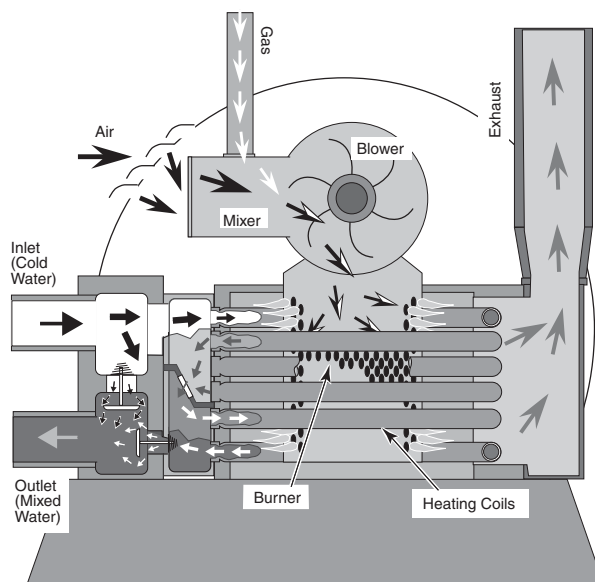


Figure 1.

SPECIFICATIONS

These installation instructions are designed for use by qualified personnel only, trained especially for installation of this type of heating equipment and related components. Some states require installation and repair by licensed personnel. If this applies in your state, be sure your contractor bears the appropriate license. See **Figure 2** for Outdoor and Indoor Installations.

DIMENSIONS IN INCHES

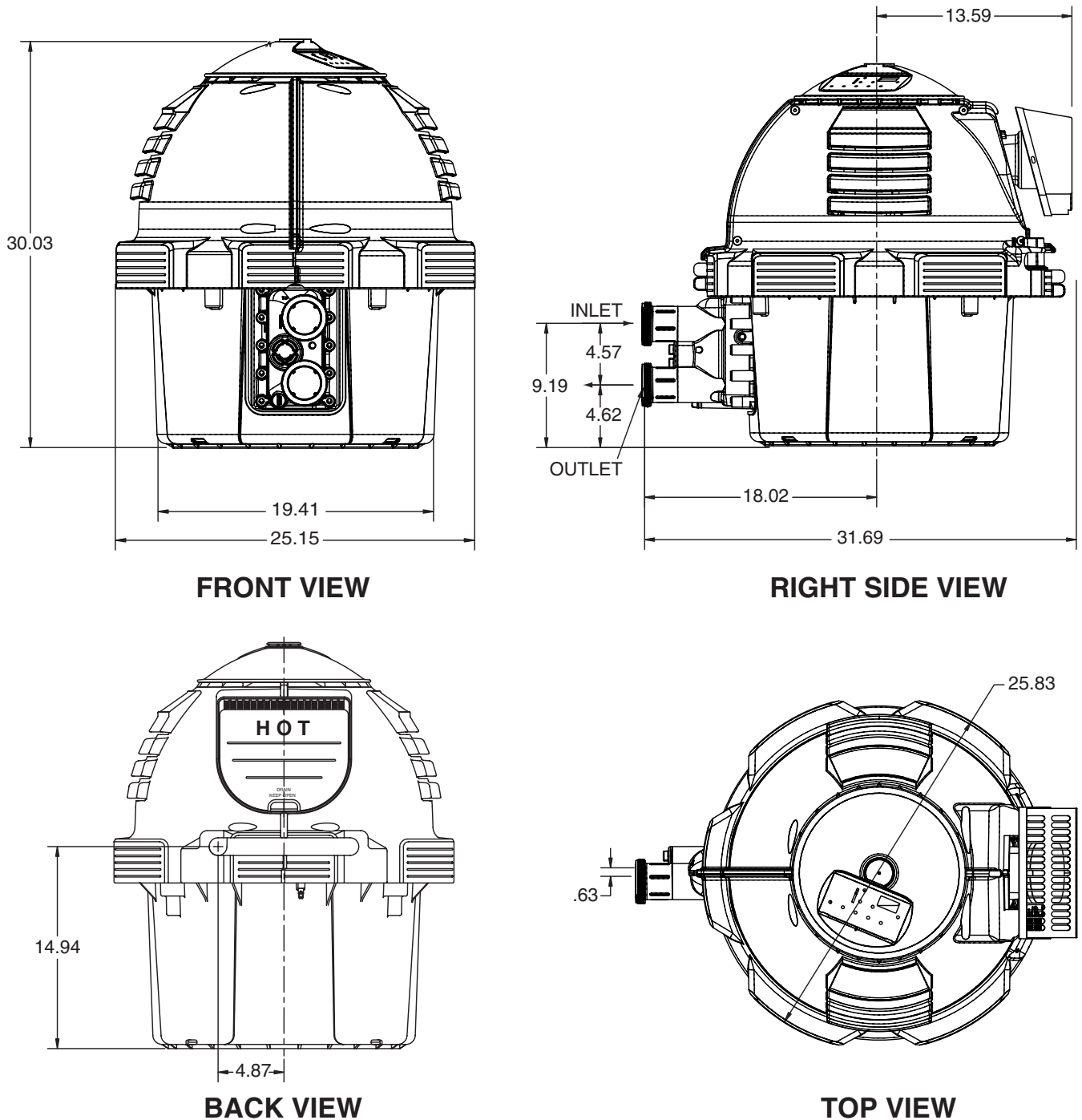


Figure 2.

PLUMBING CONNECTIONS

The Max-E-Therm® heater has the unique capability of direct schedule 40 PVC, [schedule 80 CPVC for ASME models] plumbing connections. A set of bulkhead fittings is included with the Max-E-Therm to insure conformity with Pentair’s recommended PVC plumbing procedure. Other plumbing connections can be used. See Figure 3 for plumbing connections.

CAUTION

Before operating the heater on a new installation, turn on the circulation pump and bleed all the air from the filter using the air relief valve on top of the filter. Water should flow freely through the heater. Do not operate the heater unless water in the pool/spa is at the proper level. If a manual by-pass is installed, temporarily close it to insure that all air is purged from the heater.

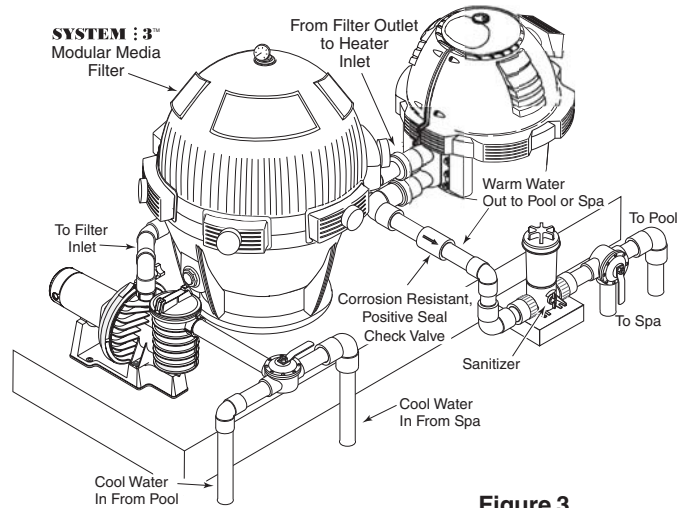


Figure 3. Typical Installation

VALVES

When any equipment is located below the surface of the pool or spa, valves should be placed in the circulation piping system to isolate the equipment from the pool or spa. Check valves are recommended to prevent back-siphoning. Back-siphoning is most likely to occur when the pump stops, creating a pressure-suction differential. Do **NOT** sanitize the pool by putting chlorine tablets or sticks into the skimmer(s). When the pump is off, this will cause a high concentration of chlorine to enter the heater, which could cause corrosion damage to the heat exchanger.

CAUTION

Exercise care when installing chemical feeders so as to not allow back siphoning of chemical into the heater, filters or pump. When chemical feeders are installed in the circulation of the piping system, make sure the feeder outlet line is down stream of the heater, and is equipped with a positive seal noncorrosive “Check Valve”, (P/N R172288), between the feeder and heater.

MANUAL BY-PASS

Where the water flow rate exceeds the maximum 120 GPM, a manual bypass should be installed and adjusted. After installing the valve, adjust the valve to bring the flow rate within the acceptable range. Then remove the valve handle or lock it in place to avoid tampering. See Figure 4.

| Model | Min. (GPM) (LPM) | Max. (GPM) (LPM) * |
|-------|------------------|--------------------|
| 200 | 20 (76) | 120 (454) |
| 333 | 33 (125) | 120 (454) |
| 400 | 40 (152) | 120 (454) |

* Do not exceed the maximum recommended flow rate for the connecting piping.

Table 1.

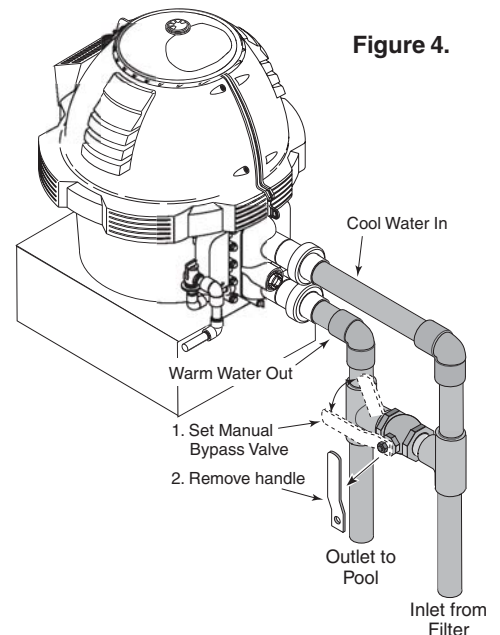


Figure 4.

See page 45 for Pressure Relief Valve Installations.

WATER CONNECTIONS

The heater requires proper water flow and pressure for its operation. See **Figure 5** for the recommended installation. The filter pump discharges to the filter, the filter discharges to the heater, and the heater discharges directly to the pool or spa.

A manual bypass valve should be installed across the heater when the pump flow exceeds 120 GPM (454 LPM). See “WATER FLOW RATE” on [page 11- Table 1](#) for setting of the manual by-pass valve.

Make sure that the outlet plumbing from the heater contains no shut-off valves or other flow restrictions that could prevent flow through the heater (except for below pool installations as noted below, or winterizing valves where needed). To switch flow between the pool and spa, use a diverter valve. Do not use any valve that can shut off the flow.

Install the chemical feeder downstream of the heater. Install a chemical resistant one-way check valve between the heater and the chemical feeder to prevent back-siphoning through the heater when the pump is off.

NOTICE: If the heater is plumbed in backwards, it will cycle continuously. Make sure piping from filter is not reversed when installing heater.

Connect the heater directly to 2" PVC pipe, using the integral unions provided. Heat sinks are not required. The low thermal mass of the heater will prevent overheating of the piping connected to the pump even if the heater shuts down unexpectedly.

Occasionally a two-speed pump will not develop enough pressure on the low speed to operate the heater. In this case, run the pump at high speed only to operate the heater. If this does not solve the problem, do not try to run the heater. Instead, correct the installation.

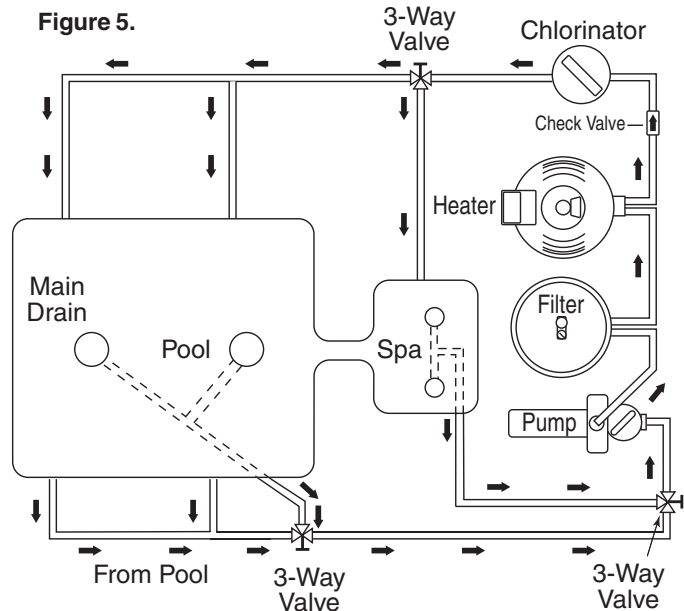
Do not operate the heater while an automatic pool cleaner is also operating. If the circulation pump suction is plugged (for example by leaves), there may not be adequate flow to the heater. Do not rely on the pressure switch in this case.

BELOW POOL INSTALLATION

If the heater is below water level, the pressure switch must be adjusted. This adjustment must be done by a qualified service technician.

See following **CAUTION** before installation.

| |
|--|
| ⚠ CAUTION |
| BELOW OR ABOVE POOL INSTALLATION |
| <p>The water pressure switch is set in the factory at 3.00 PSI (± 0.75 PSI). This setting is for a heater installed at pool level. If the heater is to be installed more than 1' above or below, the water pressure switch must be adjusted by a qualified service technician. See page 34, Figure 32.</p> |
| FLOW SWITCH |
| <p>If the heater is installed more than 5' above the pool or more than 4' below the pool level, you will be beyond the limits of the pressure switch and a flow switch must be installed. Locate and install the flow switch externally on the outlet piping from the heater, as close as possible to the heater. Connect the flow switch wires in place of the water pressure switch wires.</p> |



GAS CONNECTIONS

GAS LINE INSTALLATIONS

Before installing the gas line, be sure to check which gas the heater has been designed to burn. This is important because different types of gas require different gas pipe sizes. The rating plate on the heater will indicate which gas the heater is designed to burn. The tables, shown on [page 14](#), show which size pipe is required for the distance from the gas meter to the heater. The table is for natural gas at a specific gravity of .65 and propane at a specific gravity of 1.55.

When sizing gas lines, calculate three (3) additional feet of straight pipe for every elbow used. When installing the gas line, avoid getting dirt, grease or other foreign material in the pipe as this may cause damage to the gas valve, which may result in heater failure.

The gas meter should be checked to make sure that it will supply enough gas to the heater and any other appliances that may be used on the same meter. The gas line from the meter will usually be of a larger size than the gas valve supplied with the heater. Therefore a reduction of the connecting gas pipe will be necessary. Make this reduction as close to the heater as possible.

The heater requires a gas supply of not less than 4" (10.2cm) wc and not more than 14" (35.6cm) wc. Gas supply pressures outside of this range may result in improper burner operation. A minimum flowing or dynamic inlet pressure (while the heater is running) of 4" (10.2cm) wc is required to maintain input rating with no more than a 2" pressure drop between static and dynamic. The gas supply must be installed in accordance with the *National Fuel Gas Code, ANSIZ223.1*, or standard *CSA B149.1, Natural Gas and Propane Installation Codes*, as applicable and all applicable local codes. Install a manual shut-off valve and a sediment trap and union located outside the heater panels, see [Figure 6](#). Do not use a restrictive gas cock. The following minimum gas pipe sizes are recommended for natural gas supply piping, see [Table 2](#) on [page 14](#). For low pressure LP gas, pipe size may be reduced by 1/4", with a minimum pipe size of 1/2". Check for compliance with local codes.

The heater and any other gas appliances must be disconnected from the gas supply piping system during any pressure testing on that system, (greater than 1/2 PSI). The heater and its gas connection must be leak tested before placing the heater in operation. **Do not use flame to test the gas line.** Use soapy water or another nonflammable method.

NOTE

A manual main shut-off valve must be installed externally to the heater.

⚠ WARNING

DO NOT INSTALL THE GAS LINE UNION INSIDE THE HEATER CABINET. THIS WILL VOID YOUR WARRANTY.

SEDIMENT TRAPS

Install a sediment trap and union located outside the heater panels in accordance with National code requirements. Do not use a restrictive gas cock. The sediment trap shall be either a tee fitting with a capped nipple in the bottom outlet which can be removed for cleaning, as illustrated in [Figure 6](#), or an other device recognized as an effective sediment trap. All gas piping should be tested after installation in accordance with local codes.

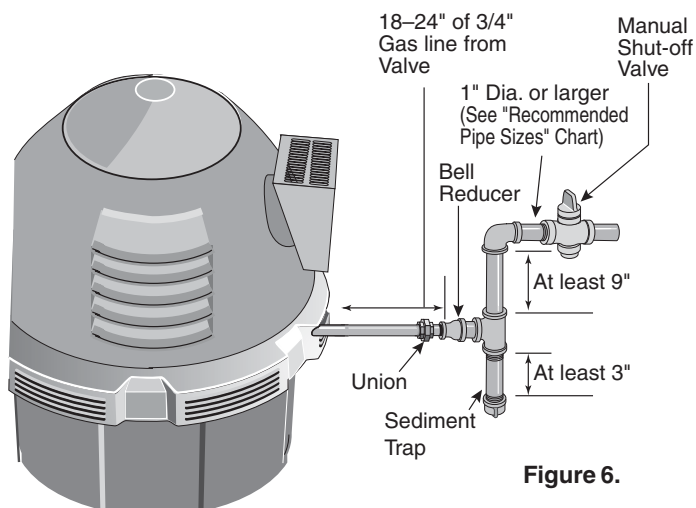


Figure 6.

GAS PIPE SIZING

Table 2.

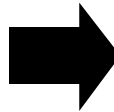
| PIPE SIZING FOR GAS LINE CONNECTIONS | | | | | | | | | | | | | | |
|---|------|-----|------|-----|------|------|--------|------|--------|------|------|-----|--------|-----|
| MAXIMUM EQUIVALENT PIPE LENGTH (Ft.) | | | | | | | | | | | | | | |
| Natural Gas at 1000 B.T.U. per Cubic Foot | | | | | | | | | | | | | | |
| Propane Gas at 2500 B.T.U. per Cubic Foot | | | | | | | | | | | | | | |
| MODEL | 1/2" | | 3/4" | | 1" | | 1-1/4" | | 1-1/2" | | 2" | | 2-1/2" | |
| | NAT | PRO | NAT | PRO | NAT | PRO | NAT | PRO | NAT | PRO | NAT | PRO | NAT | PRO |
| 200 | - | 20' | 30' | 80' | 125' | 250' | 450' | 600' | - | - | - | - | - | - |
| 333 | - | - | 10' | 30' | 50' | 100' | 200' | 350' | 400' | 600' | - | - | - | - |
| 400 | - | - | - | 10' | 20' | 60' | 100' | 150' | 200' | 450' | 400' | - | - | - |

“RESIDENTIAL” PROPANE GAS 2 STAGE REGULATION

In many Propane gas line installations, the gas supplier and/or installer will utilize a two stage regulation process where by at the supply tank they will install the first stage gas regulator, which would be at a higher pressure, usually 10 psi. This higher pressure allows for a much longer distance and in a much smaller pipe size. Then within a short distance of the pool heater, usually around 24 inches, they will install a second regulator, which is the second stage, and this would be set at the required inlet pressure of the heater.

See “Gas Pressure Requirement Charts”

| Stage One "High Pressure" Gas Pipe Sizing | | | |
|---|-------------|---------------|----------------|
| 10 PSI @ 2500 B.T.U. Per CU. FT. | | | |
| MAXIMUM EQUIVALENT PIPE LENGTH | | | |
| Model | 0 to 50 Ft. | 50 to 100 Ft. | 100 to 150 Ft. |
| 200 through 400 | 1/2 in. | 1/2 in. | 1/2 in. |



| Stage Two "Low Pressure" Gas Pipe Sizing | | |
|--|-------------|--------------|
| Stage 2 set at 14 in. W.C. | | |
| MAXIMUM EQUIVALENT PIPE LENGTH | | |
| Model | 0 to 10 Ft. | 10 to 20 Ft. |
| 200 through 400 | 3/4 in. | 3/4 in. |

Table 3.

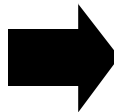
Table 4.

“RESIDENTIAL” NATURAL GAS 2 STAGE REGULATION

In many Natural gas line installations, the gas supplier and/or installer may utilize a two stage regulation process where by at the streets main gas supply they will install the first stage gas regulator, which would be at a higher pressure. This higher pressure is usually set at 2 psi or 5 psi and can be for long distances and in a much smaller pipe size. Then within a short distance of the pool heater, generally around 24 inches, they will install a second regulator, which is the second stage. This second stage regulator would be set at the minimum operating pressure for the heater. For “Natural Gas Pentair Pool Heaters” the minimum is 7 inches W.C.

See “Gas Pressure Requirement Charts”

| Stage One "High Pressure" Gas Pipe Sizing | | | |
|---|-------------|---------------|----------------|
| 2 PSI @ 1000 B.T.U. Per CU. FT. | | | |
| MAXIMUM EQUIVALENT PIPE LENGTH | | | |
| Model | 0 to 50 Ft. | 50 to 100 Ft. | 100 to 150 Ft. |
| 200 through 333 | 1/2 in. | 1/2 in. | 1/2 in. |
| 400 | 3/4 in. | 3/4 in. | 3/4 in. |
| 5 PSI @ 1000 B.T.U. Per CU. FT. | | | |
| 200 through 400 | 1/2 in. | 1/2 in. | 1/2 in. |



| Stage Two "Low Pressure" Gas Pipe Sizing | | |
|--|-------------|--------------|
| Stage 2 set at 7 in. W.C. | | |
| MAXIMUM EQUIVALENT PIPE LENGTH | | |
| Model | 0 to 10 Ft. | 10 to 20 Ft. |
| 200 through 333 | 3/4 in. | 3/4 in. |
| 400 | 3/4 in. | 1 in. |
| Stage 2 set at 7 in. W.C. | | |
| 200 through 400 | 3/4 in. | 1 in. |

Table 5.

Table 6.

TESTING GAS PRESSURE

Before operating the heater, the heater and its gas connections must be leak tested. **Do NOT use an open flame to test for leaks.** Test all gas connections for leaks with soapy water or another non-flammable method (see page 14).

The heater and its individual shut-off valve must be disconnected from the gas supply piping system during any pressure testing of that system at test pressures in excess of 1/2 psig (3.5 kPa).

The heater must be isolated from the gas supply system by closing its individual manual shut-off valve during any pressure testing of the gas supply at test pressures equal to or less than 1/2 psig (3.5 kPa).

CHECKING THE GAS PRESSURE THROUGH THE COMBINATION GAS CONTROL VALVE

⚠ WARNING

Risk of fire and explosion. Improper installation, incorrect adjustment, alteration, service, or maintenance of the Combination Gas Control Valve can lead to fire or explosion, causing loss of life, personal injury, and/or property damage. If it is necessary to adjust the gas valve, this must be done by only by a qualified service agency. **These instructions are for the use of qualified service technicians only!**

This appliance is equipped with an unconventional gas control valve that is factory set with a manifold pressure of $-0.2''$ (-0.5cm) wc. Installation or service must be performed by a qualified installer, service agency, or the gas supplier. If this control valve is replaced, it must be replaced with an identical control.

The combination gas valve incorporates dual shut-off valves and a negative-pressure regulator. For proper operation, the regulated pressure at the outlet manifold of the valve must be $-0.2''$ (-0.5cm) wc below the reference pressure at the blower mixer inlet, and the gas valve ‘VENT’ tap must be connected to the end cap air orifice as shown in Figure 7.

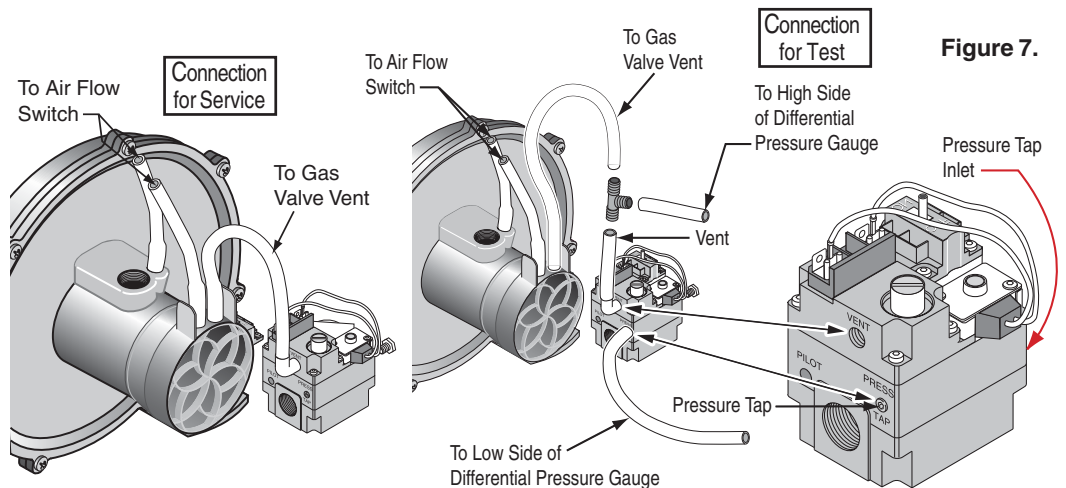


Figure 7.

Do not attempt to adjust the gas input by adjusting the regulator setting. The correct gas regulator setting is required to maintain proper combustion and must NOT be altered.

⚠ CAUTION

The use of Flexible Connectors (FLEX) is NOT recommended unless they are properly sized according to the supplier recommendations for the heater rating.

GAS PRESSURE REQUIREMENTS

| Gas Pressure | Natural | Propane |
|---------------|----------------|----------------|
| | Inches W.C. | |
| Maximum Inlet | 14 | 14 |
| Minimum Inlet | 4 | 4 |
| Manifold | -0.2 ± 0.1 | -0.2 ± 0.1 |

NOTE: All readings must be taken while heater is operating. Any adjustments or readings made while heater is off will result in performance problems.

Table 7.

OUTDOOR INSTALLATION (U.S. and Canada)

For heaters located outdoors, using the built-in stackless venting system.

⚠ WARNING

Risk of explosion if a unit burning propane gas is installed in a pit or other low spot. Propane is heavier than air. Do not install the heater using propane in pits or other locations where gas might collect. Consult your local building code officials to determine installation requirements and specific installation restrictions of the heater relative to propane storage tanks and filling equipment. Installation must meet the requirements for the Standard for the Storage and Handling of Liquid Petroleum Gases, ANSI/NFPA 58 (latest edition) in the U.S., or CAN/CSA B149.2 (latest edition) in Canada. Consult local codes and fire protection authorities about specific installation restrictions.

Locate the heater on a level surface in an open area that is protected from drainage or run-off. Install the heater in an area where leaves or other debris will not collect on or around the heater.

To avoid damage to the electronic components in the heater, take care to prevent prolonged exposure to driving sources of water (such as lawn sprinklers, heavy roof runoff, hoses, etc.). Avoid operation in persistent, extreme, moist or salty environments.

In extreme weather, shut down the heater and disconnect the power to it until the weather has moderated. In areas subject to hurricanes or very high winds, purchase the Bolt Down Bracket Kit, P/N 42001-0085S, see [Figure 8](#).

HEATER CLEARANCES – OUTDOOR

IMPORTANT!

- In an outdoor installation it is important to ensure water is diverted from overhanging eaves with a proper gutter/drainage system. The heater must be set on a level foundation for proper drainage.
- This unit shall not be operated outdoors at temperatures below -20° F.

If the heater is located under a roof overhang, there must be at least three feet (1M) of clearance between the bottom of the overhang and the top of the heater exhaust vent, see [Figure 9](#). If the heater is under a roof overhang, the space around the heater must be open on three sides. **DO NOT, under any circumstances, install the heater under ANY deck.**

For minimum exhaust vent clearances for all building openings, including but not limited to vented eaves, doors, windows, gravity air inlet, see [Figure 10](#), [page 17](#).

In Canada, the heater must be installed with the top of the vent at least 10 feet (3M) below, or to either side of, any opening into a building, see [Figure 11](#), [page 17](#).

Orient the heater for convenient access to the water connections and the gas and electrical connections. *Note: Check local building codes for installing the heater from any property line set back requirements.*

⚠ CAUTION

If installing the heater next to or near an air conditioning unit or a heat pump, allow a minimum of 36 in. between the air conditioning unit and the heater.

Bolt Down Bracket Kit P/N 42001-0085S

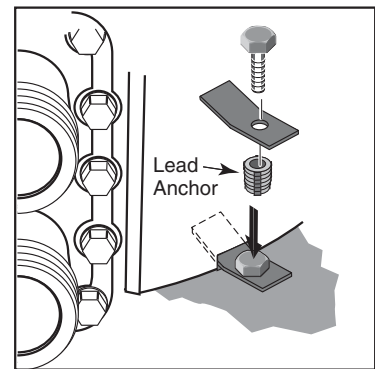


Figure 8.

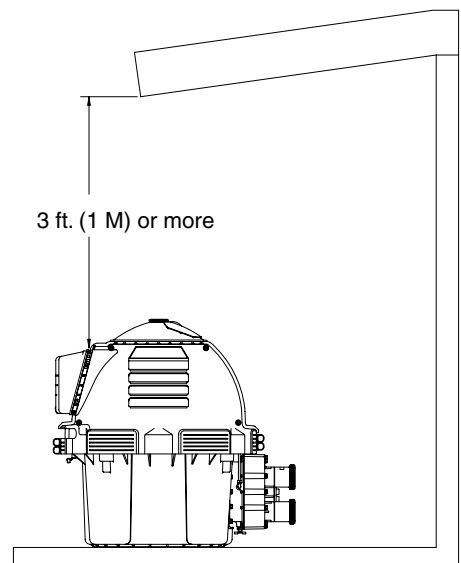
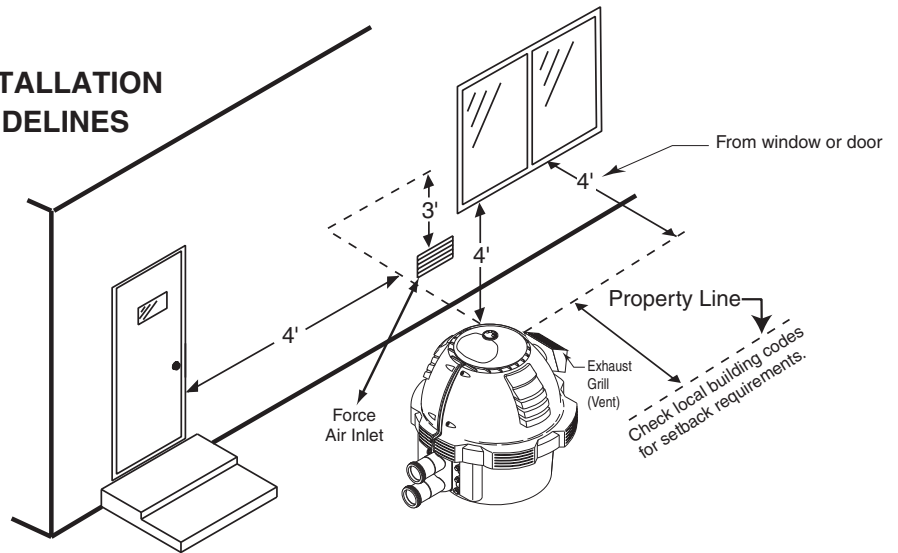
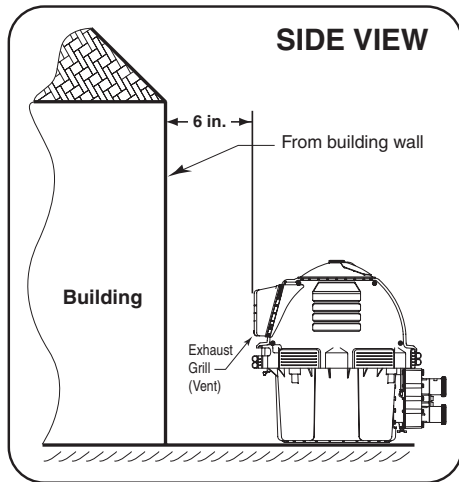


Figure 9.

OUTDOOR INSTALLATION VENTING GUIDELINES

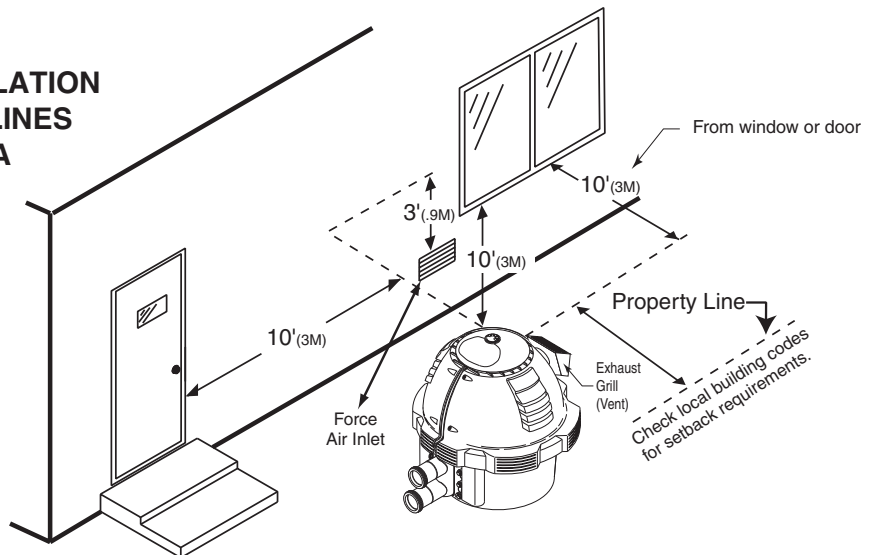
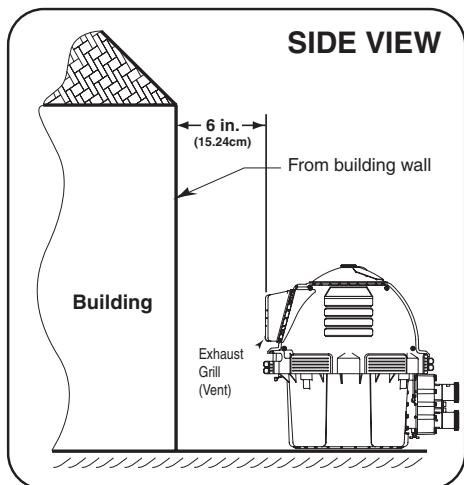


Vent Termination:

- Must be at least 3 ft. above any forced air inlet located within a 10 ft. radius.
- Must be located 6 in. away from the building wall and the following distances away from any building wall openings, included but not limited to vented eaves, doors, windows, gravity air inlet:
 - 4 ft. below,
 - 4 ft. horizontally

Figure 10.

OUTDOOR INSTALLATION VENTING GUIDELINES FOR CANADA



Vent Termination:

- Must be at least 3 ft. (.9M) above any forced air inlet located within a 10 ft. (3M) radius.
- Must be located 6 in. (15.24cm) away from the building wall and the following distances away from any building wall openings, included but not limited to vented eaves, doors, windows, gravity air inlet:
 - 10 ft. (3M) below,
 - 10 ft. (3M) horizontally

Figure 11.

INDOOR VENTING — General Requirements

The heater may be installed as a Category I or Category III appliance.

Vented Appliance (Category I) – Vertical only

An appliance that operates with a *nonpositive* vent static pressure and with a vent gas temperature that avoids excessive condensate production in the vent, see pages 20-22.

Vented Appliance (Category III) – Vertical or Horizontal

An appliance that operates with a *positive* vent static pressure and with a vent gas temperature that avoids excessive condensate production in the vent, see pages 23-25.

If you are considering connecting this heater to a pre-existing vent system, make sure that the vent system meets the appropriate venting requirements as given in this manual on pages 18-27. If not, replace the vent system. **DO NOT** use a draft hood with this heater.

The Max-E-Therm heaters operate with a positive vent static pressure and with a vent gas temperature less than 400° F (204°C). The total length of the horizontal run must not exceed the length that is listed in table 11 on page 23.

HEATER CLEARANCES — General Requirements

INDOOR INSTALLATION (U.S.) OR OUTDOOR SHELTER (CANADA)

The following clearances must be maintained from combustible surfaces:

- TOP 6 in. (15 cm)**
- ALL SIDES 6 in. (15 cm)**
- VENT 6 in. (15 cm)**

Note: The heater is design certified by CSA International for installation on combustible flooring. For installation on carpeting, the heater must be mounted on a metal or wood panel that extends at least three inches (10cm) beyond the base of the heater. If the heater is installed in a closet or alcove, the entire floor shall be covered by the panel. On an outdoor shelter installation, the exhaust discharges into a vent pipe. Orient the heater so that the vent pipe does not interfere with adjustment of the operating controls. The operating control panel, located on the top of the jacket, can be rotated for convenient access to the control panel.

OUTSIDE VENT COVER REMOVAL

The heater is supplied from the factory with a built-in stackless outside vent for outdoor installation. Remove the outside vent cover for outdoor shelter installation.

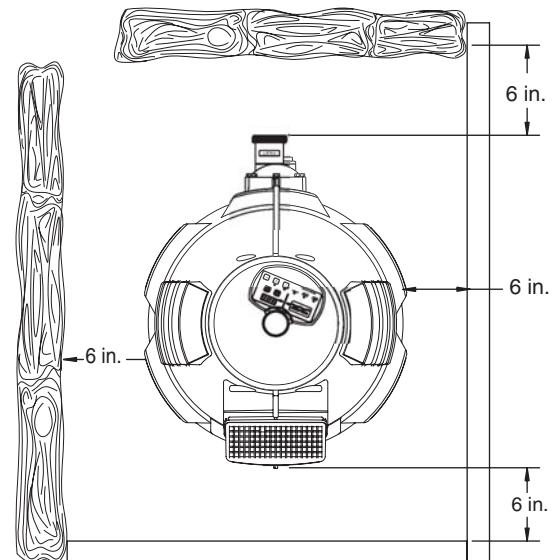


Figure 12.

COMBUSTION AIR SUPPLY

For indoor installation, the heater location must provide sufficient air supply for proper combustion and ventilation of the surrounding area.

The minimum requirements for the air supply specify that the room in which a heater is installed should be provided with two permanent air supply openings; one within 12 inches (30cm) of the ceiling, the other within 12 inches (30cm) of the floor for combustion air, in accordance with the latest edition of ANSI Z223.1, or the National Fuel Gas code, the CSA B149.1, Natural Gas and Propane Installation Codes, as applicable, and any local codes that may apply. These openings shall directly, or through duct, connect to outdoor air.

Pentair Water Pool and Spa, Inc. does not recommend indoor installations that do not provide combustion air from outside the building.

Air Supply Requirements Guide for Max-E-Therm Heaters

| Minimum Net Free Open Area for Each Opening* (Square Inches/Centimeters) | | | | |
|---|------------------------------|-----------------------------|-------------------------------|----------------------------|
| Model | All Air From Inside Building | | All Air From Outside Building | |
| | Combustion | Vent | Combustion | Vent |
| 200 | 200 sq. in. 1291 sq. cm. | 200 sq. in. 1291 sq. cm. | 50 sq. in. 323 sq. cm. | 50 sq. in. 323 sq. cm. |
| 333 | 333 sq. in. 2149 sq. cm. | 333 sq. in. 2149 sq. cm. | 84 sq. in. 542 sq. cm. | 84 sq. in. 542 sq. cm. |
| 400 | 400 sq. in. 2581 sq. cm. | 400 sq. in. 2581 sq. cm. | 100 sq. in. 645 sq. cm. | 100 sq. in. 645 sq. cm. |

* Area indicated is for one of two openings; one at floor level and one at the ceiling.

Table 8.

⚠ CAUTION

Chemicals should not be stored near the heater installation. Combustion air can be contaminated by corrosive chemical fumes which can void the warranty.

Corrosive Vapors and Possible Causes

| Area | Likely Contaminants |
|--|--|
| Chlorinated swimming pools and spas | Pool or spa cleaning chemicals. Acids, such as hydrochloric or muriatic acid. |
| New construction and remodeling areas | Glues and cements, construction adhesives, paints, varnishes, and paint and varnish strippers. Waxes and cleaners containing calcium or sodium chloride. |
| Beauty parlors | Permanent wave solutions, bleaches, aerosol cans containing chlorocarbons or fluorocarbons. |
| Refrigeration plants or various industrial finishing and processing plants | Refrigerants, acids, glues and cements, construction adhesives. |
| Dry cleaning and laundry areas | Bleaches, detergents, or laundry soaps containing chlorine. Waxes and cleaners containing chlorine, calcium or sodium chloride. |

Table 9.

VENT INSTALLATION – INDOOR INSTALLATION (U.S.) OR OUTDOOR SHELTER (CANADA)

(Category I)

Always vent the heater to the outdoors, see Note*.

- Vent it vertically using Type “B” double wall vent connector pipe.

Locate the heater so as to minimize the length of horizontal venting and the number of vent elbows required. Horizontal vent runs must slope up 1/4" per foot (2cm/M) from the heater to allow exhaust condensate to drain and it is recommended to have a condensate drain as described in the venting installation instructions.

VERTICAL VENTING - NEGATIVE PRESSURE

(See Figures 13, 14 and 15)

Vent the heater vertically in a negative pressure (positive draft) system in accordance with the National Fuel Gas Code, ANSI Z223.1/NFPA 54 and/or CSA B149.1, Natural Gas and Propane Installation Codes, and local codes. Type “B” Double-wall vent connector is recommended; however single-wall pipe is allowed by the National Fuel Gas Code in some circumstances. Consult your local code official for detailed information. **Do not** use a draft hood with this heater.

To connect a negative pressure metal gas vent to the heater, order the appropriate Metal Flue Collar from the chart below:

| Metal Flue Collar | Part No. |
|-------------------|------------|
| 4 x 6" | 77707-0076 |
| 4 x 8" | 77707-0077 |

1. See Table 10, to determine allowable vent sizes for your heater.

NOTICE: Table 10 is for installations in which the total lateral vent length (that is, the horizontal distance from the flue collar to the main vertical portion of the vent) is less than 1/2 the total vent height (the vertical distance from the flue collar to the vent termination) and which have three or less elbows in the system. For venting systems which do not meet these conditions, consult the National Fuel Gas Code, ANSI Z223.1 (U.S.), or the standards CSA B149.1 and B149.2 (Canada).

Read “VERTICAL VENTING – NEGATIVE PRESSURE” before using this table.

Table 10. – Permitted Minimum and Maximum Vent Heights By Size and Heater Model

| Type "B" Double-Wall Vent with Type "B" Double-Wall Connector in Feet (Meters) | | | |
|--|----------------------------|----------------------------|-----------------------------|
| Vent Size | Model 200 Height min./max. | Model 333 Height min./max. | Model 400 Height min./max. |
| 6 in. | 6 ft. (1.8)/100 ft. (30.5) | 30 ft. (9)/100 ft. (30.5) | Not Rec. |
| 7 in. | 6 ft. (1.8)/100 ft. (30.5) | 10 ft. (3)/100 ft. (30.5) | 15 ft. (4.6)/100 ft. (30.5) |
| 8 in. | 6 ft. (1.8)/100 ft. (30.5) | 6 ft. (1.8)/100 ft. (30.5) | 8 ft. (2.4)/100 ft. (30.5) |
| 9 and 10 in. | 6 ft. (1.8)/50 ft. (15.3) | 6 ft. (1.8)/100 ft. (30.5) | 6 ft. (1.8)/100 ft. (30.5) |
| Type "B" Double-Wall Vent with Single-Wall Connector in Feet (Meters) | | | |
| Vent Size | Model 200 Height min./max. | Model 333 Height min./max. | Model 400 Height min./max. |
| 6 in. | 6 ft. (1.8)/15 ft. (4.6) | Not Rec. | Not Rec. |
| 7 in. | 6 ft. (1.8)/8 ft. (2.4) | 10 ft. (3)/20 ft. (6) | 15 ft. (4.6)/50 ft. (15.3) |
| 8 in. | Not Rec. | 6 ft. (1.8)/20 ft. (6) | 8 ft. (2.4)/20 ft. (6) |
| 9 in. | Not Rec. | Not Rec. | 6 ft. (1.8)/6 ft. (1.8) |
| 10 in. | Not Rec. | Not Rec. | Not Rec. |

NOTE *: Vent must be at least eight (8) feet away from nearest vertical surface. Vents extending five (5) feet or more above the roof must be braced or guyed. Consult your local code officials for detailed information.

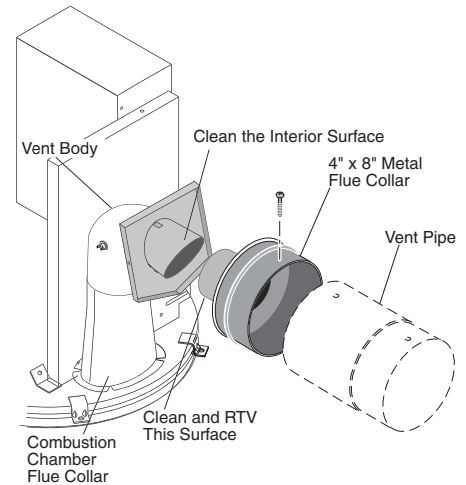


Figure 13.

2. Install the metal Flue Collar in the Vent Body of the heater (located under the outside vent cover). Fasten the metal Flue Collar to the Vent Body with two #10 sheet metal screws. Use high temperature silicone RTV to seal the Flue Collar to the Vent Body. Before connecting the metal Flue Collar to the Vent Body, wet a clean cloth or paper towel with isopropyl alcohol (rubbing alcohol) and vigorously wipe the socket of the Vent Body. Immediately wipe the cleaned surfaces dry with a clean cloth or paper towel. Repeat for the exterior of the 4" end of the metal Flue Collar. Attach the metal Flue Collar to the Vent Body using the RTV supplied with the kit, following the vent manufacturer's instructions (included with kit).
3. Attach the vent pipe to the metal Flue Collar with sheet-metal screws.

⚠ WARNING

Risk of fire or asphyxiation if vent is not assembled according to manufacturer's instructions or if vent parts from different manufacturers are mixed. Vent parts from different manufacturers ARE NOT interchangeable. Mixing parts from more than one manufacturer may cause leaks or damage to vent. When assembling a vent, pick one manufacturer and be sure that all vent parts come from that manufacturer and are specified by the manufacturer for your system. Follow manufacturer's instructions, local code requirements, National Fuel Gas Code requirements (U.S.) or standards CSA B149.1 and B149.2 (Canada) carefully during assembly and installation.

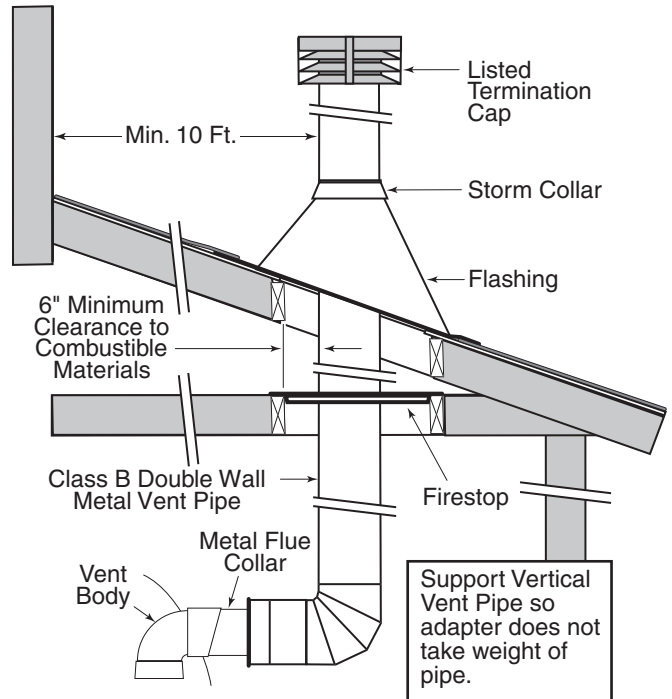


Figure 14. – Typical Metal Vent Pipe Installation - U.S. (Vertical – Negative Pressure)

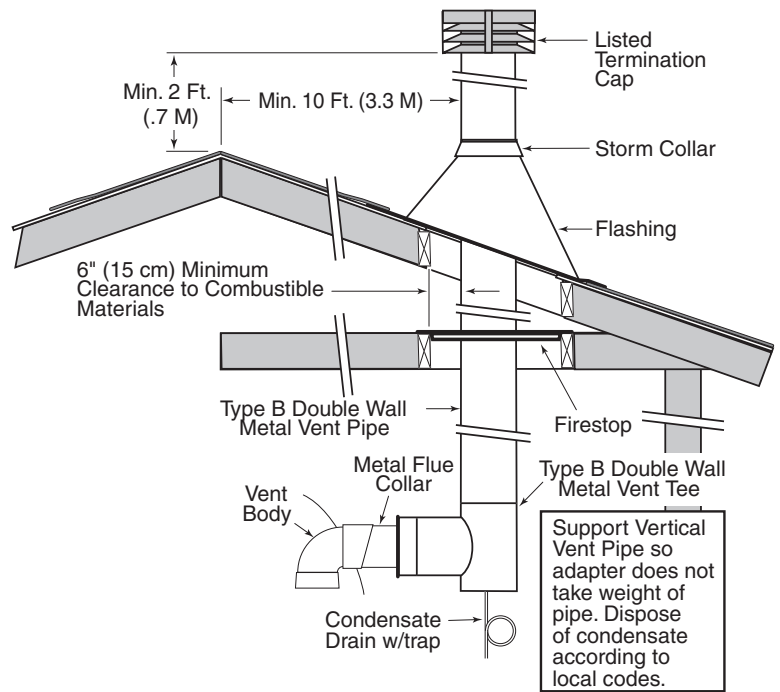


Figure 15. – Typical Metal Vent Pipe Installation - Canada (Vertical – Negative Pressure)

4. Install vent pipe so that it can expand and contract freely as the temperature changes. Support the vent pipe according to applicable codes and the vent manufacturer's instructions. Pipe support must allow the vent pipe free movement out and back, from side to side, or up and down as necessary, without putting a strain on the heater or vent body. Slope horizontal pipe runs up from the heater at least 1/4" per foot (2cm per meter). Install Listed condensate drains at low points where condensate might collect. Plumb condensate drains to a drain through hard piping or high temperature tubing such as silicone rubber or EPDM rubber – do not use vinyl or other low temperature tubing. Follow drain manufacturer's installation instructions.
5. Use Listed fire stop for floor and ceiling penetrations. Use Listed thimble for wall penetrations. Use a Listed roof flashing, roof jack, or roof thimble for all roof penetrations. Do not fill the space around the vent (that is, the clear air space in the thimble or fire stop) with insulation. The roof opening must be located so that the vent is vertical.
6. **Do not run the heater vent into a common vent with any other appliance.**

WARNING

Fire Hazard. Do not vent the heater directly into a masonry chimney. Installation into a masonry chimney must use a chimney liner and must meet the National Fuel Gas Code, ANSI Z223.1/NFPA 54 and/or CSA B149.1, Natural Gas and Propane Installation Codes requirements and all local code requirements.

WARNING

Risk of fire, carbon monoxide poisoning, or asphyxiation. It is recommended to use a CO Monitor and Fire Alarm in rooms that contain gas fired appliances.

HORIZONTAL OR VERTICAL VENTING - POSITIVE PRESSURE (See Figures 16, 17, and 18)**(Category III)**

Vent the heater either horizontally or vertically using an optional vent adapter of the 4-inch special gas approved Category III vent pipes. Install the vent pipe in accordance with local codes and the provisions of the National Fuel Gas Code, ANSI Z223.1 (U.S.), or the standards CSA B149.1, Natural Gas and Propane Installation Codes (Canada), and the vent manufacturer's instructions. Do not use a draft hood with this heater. Install the vent according to the vent manufacturer's detailed instructions. Maintain clearance between the vent pipe and combustible surfaces according to the vent manufacturer's instructions and code requirements. Do not place any insulating materials around the vent or inside the required clear air space surrounding the vent. See Table 11 for maximum permissible vent lengths.

NOTE

The allowable vent runs for each vent pipe diameter are different and can not be exceeded.

Each 90-degree elbow reduces the maximum horizontal vent run by 12 feet and each 45-degree elbow in the vent run reduces the maximum vent run by 6 feet. See the table below for the maximum vent lengths using 90-degree and 45-degree elbows.

The Max-E-Therm® may be installed as a “Category III” appliance **(which requires a four (4) inch special gas approved “Category III” vent pipe)** and is a forced-draft pool and spa heater which uses positive pressure to push flue gases through the vent pipe to the outside. **Flue gases under positive pressure may escape into the dwelling with any cracks or loose joints in the vent pipe, or improper vent installation.** The vent pipe must be of a sealed-seam construction, such as those listed for use with “Category III Appliances”, and for operating temperatures less than 400°F (204°C). Vent pipe construction will be of UL 1738 approved non-corrosive material, such as stainless steel, aluminum, galvanized. A condensate trap may be needed. The use of “Approved” thimbles, roof jacks and/or side vent terminals are required; and the proper clearances to combustible materials must be maintained in accordance with type of vent pipe employed—in the absence of a clearance recommendation by the vent pipe manufacturer, the requirements of the Uniform Mechanical Code should be met. **The ventilation air requirements for the Max-E-Therm heater can be found on page 19.** It is recommended that vent runs over 18 feet may need to be insulated to reduce condensation related problems and/or the use of a condensate trap in the vent run close to the heater may be necessary in certain installations such as cold climates. Horizontal vents 3' (1M) or less in length do not require a condensate tee. The Max-E-Therm heater is suitable for through-the-wall venting.

| 4 in. Special Gas Vent (Vertical or Horizontal)* | |
|--|----------------------------|
| No. of 90° Elbows | Maximum Length in Feet (M) |
| 0 | 70 ft. (21.3M) |
| 1 | 58 ft. (17.7M) |
| 2 | 46 ft. (14.0M) |
| 3 | 34 ft. (10.4M) |
| 4 | 22 ft. (6.7M) |

*Minimum vent length is one foot (.34M), or in accordance with vent manufacturer's instruction, and local and national codes. Horizontal vents 3'(1M) or less in length do not require a condensate tee, but must slope down toward the outlet at 1/4" to the foot (2cm/M) to allow condensate to drain.

Table 11.

⚠ CAUTION

Do **NOT** combine exhaust vent pipes to a common exhaust vent in multiple unit installations. Run separate vent pipes.

CONNECTING SPECIAL GAS VENT TO THE HEATER

Metallic:

- Order an optional appliance adapter kit, (Pentair offers optional appliance adapter kits, call our Customer Service dept.):
 - Part No. 77707-0086 for Saf-T Vent® or Saf-T Vent® CI.
 - Part No. 77707-0087 for Z-Vent.
- Remove the outside vent cover.
- Install the Appliance Adapter in the Vent Body of the heater (located under the outside Vent Cover). Before connecting the Appliance Adapter to the Vent Body, wet a clean cloth or paper towel with isopropyl alcohol (rubbing alcohol) and vigorously wipe the socket of the Vent Body. Immediately wipe the cleaned surfaces dry with a clean cloth or paper towel. Repeat for the exterior of the heater end of the Appliance Adapter. Attach the appliance adapter to the vent body using the adhesive specified by the vent manufacturer, following the vent manufacturer's instructions.

⚠ WARNING

Risk of carbon monoxide poisoning if adapter is improperly attached. Mechanical connections (such as screws) can cause cracking and leaks in the adapter. Do **NOT** drill holes or use screws to connect the appliance adapter to the heater vent body. Attach with manufacturer's specified adhesive.

⚠ WARNING

Risk of fire or asphyxiation if vent is not assembled according to manufacturer's instructions or if vent parts from different manufacturers are mixed. Vent parts from different manufacturers ARE NOT interchangeable. Mixing parts from more than one manufacturer may cause leaks or damage to vent. When installing a vent, pick one manufacturer and be sure that all vent parts come from that manufacturer and are specified by the manufacturer for your system. Follow manufacturer's instructions and local and National Fuel Gas Code (U.S.) or CSA B149.1, Natural Gas and Propane Installation Codes (Canada) requirements carefully during assembly and installation.

4. Install vent pipe so that it can expand and contract freely as the temperature changes. Support the vent pipe according to applicable codes and vent manufacturer's instructions. Pipe support must allow the vent pipe free movement out and back, from side to side, or up and down as necessary, without putting a strain on the heater or vent body. It is recommended to slope the horizontal pipe runs up from the heater at least 1/4" per foot (2cm/M). Install "Approved" condensate drains at low points where condensate might collect. Plumb condensate drains to a drain through hard piping or high-temperature tubing such as silicone rubber or EPDM rubber – do not use vinyl or other low temperature tubing. Follow drain manufacturer's installation instructions.
5. Use an "Approved" firestop for floor and ceiling penetrations. Use an "Approved" thimble for wall penetrations. Use an "Approved" roof flashing, roof jack, or roof thimble for all roof penetrations. Do not fill the space around the vent (that is, the clear air space in the thimble or firestop) with insulation. The roof opening must be located so that the vent is vertical.
6. **Vent Termination – Vertical** (See Figures 16 and 17), for height of vent termination above the roof. Use an "Approved" vent terminal specified by local and national codes and your manufacturer's instructions. A roof termination must be vertical. In Canada, the Vent Cap location shall have a minimum clearance of 4 feet (1.2M) horizontally from electric meters, gas meters, regulators, and relief openings.
7. Make sure entire installation is sealed according to approved standard.

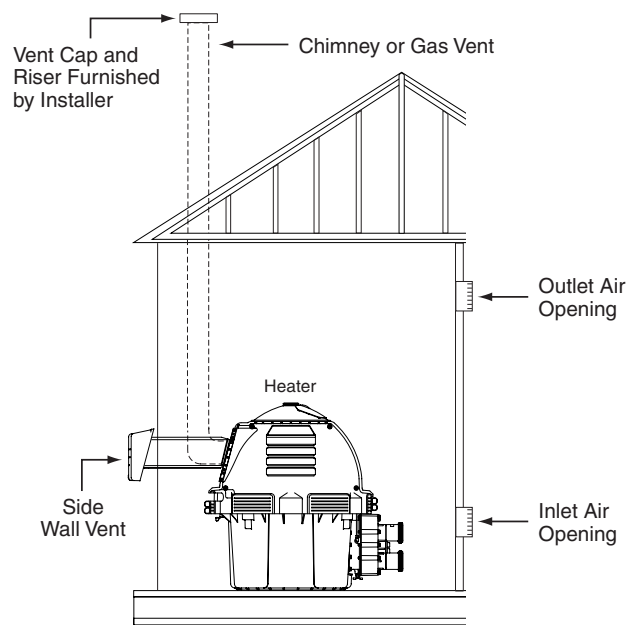


Figure 16.

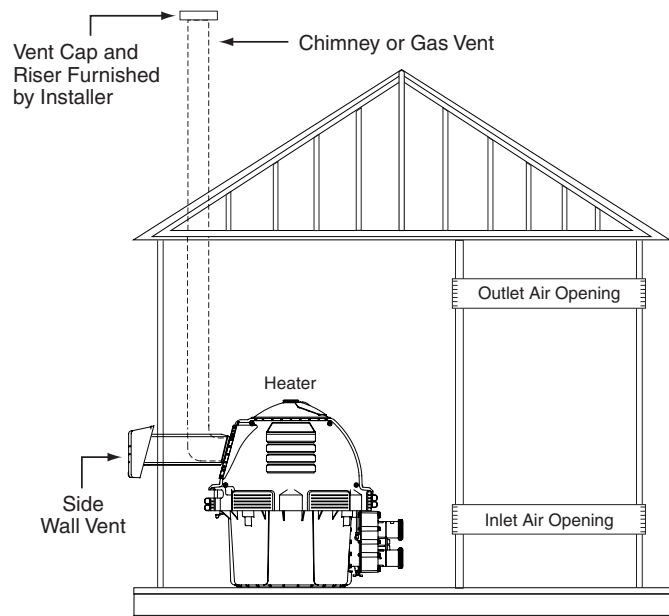


Figure 17.

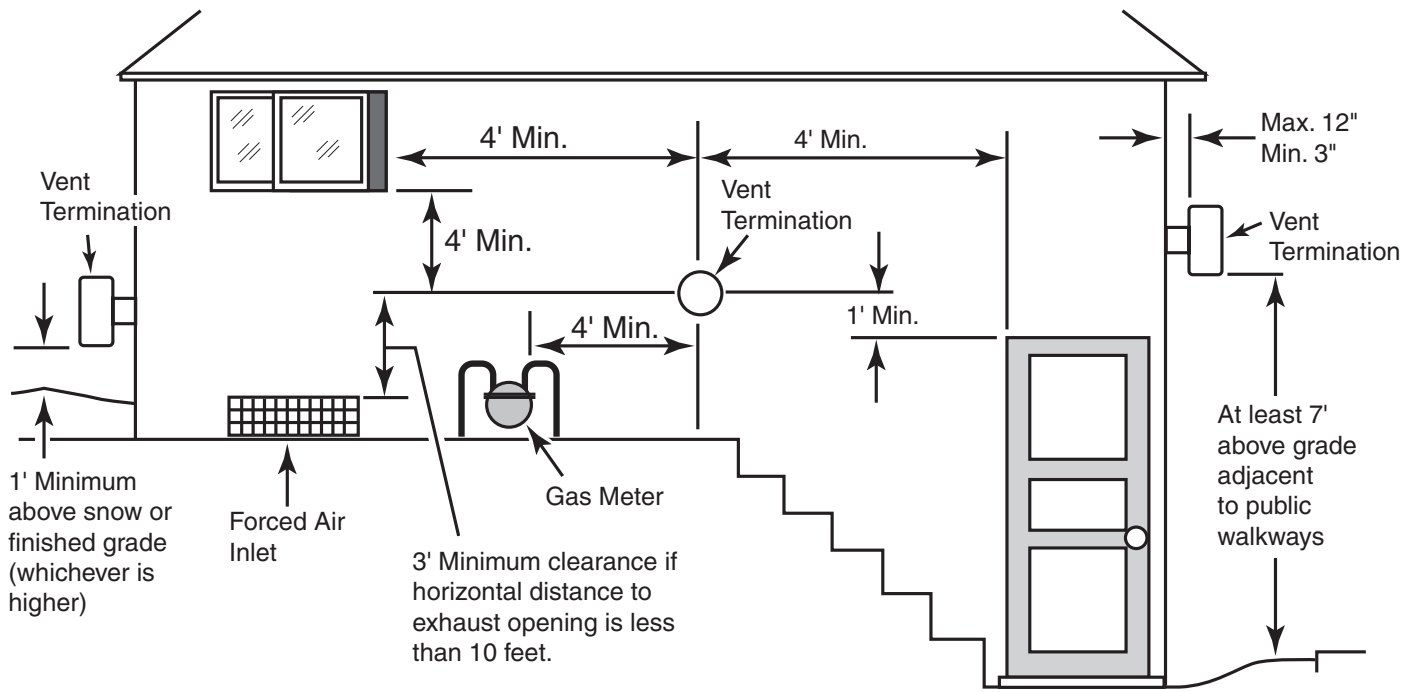


Figure 18.

8. Vent Termination – Horizontal

The terminal must be located (U.S. – See Figure 18):

- at least 3" and at most 12" out from the wall (see Figure 19), following the vent manufacturer’s instructions
- at least 12" above finished grade or the normally expected snow accumulation level, whichever is higher
- at least 4 feet below or horizontally from, or 1 foot above, any doors or windows or gravity air inlet to a building
- at least 3 feet above any forced air inlet located within 10 feet
- at least 4 feet horizontally from electric meters, gas meters, regulators and relief equipment
- at least 7 feet above grade adjacent to walkways or similar traffic areas

The terminal must be located (Canada – See Figure 18):

- at least 10 feet (3.3M) from any opening into a building
- at least 12" (.3M) above finished grade or the normally expected snow accumulation level, whichever is higher
- at least 4 feet (1.2M) horizontally from electric meters, gas meters, regulators and relief equipment
- at least 7 feet (2.1M) above grade adjacent to walkways or similar traffic areas

Allow at least three feet (1M) vertical clearance over vent termination when terminating under an overhang.

Avoid corners or alcoves where snow or wind could have an effect. Exhaust may affect shrubbery and some building materials. Keep shrubbery away from termination. To prevent staining or deterioration, sealing or shielding exposed surfaces may be required.

WARNING

Fire Hazard. Do not run the heater vent into a common vent with any other appliance. Do not run the Special Gas Vent into, through, or within any active vent such as a factory built or masonry chimney.

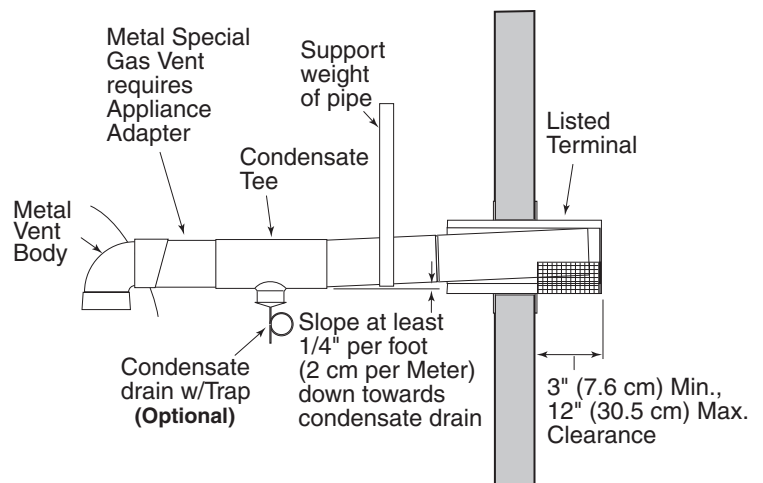


Figure 19.

OUTDOOR SHELTER INSTALLATION

In Canada, this pool heater can only be installed outdoors or in an enclosure that is not normally occupied and has no direct openings into occupied areas.

⚠ WARNING

Risk of asphyxiation if exhaust is not correctly vented. Follow venting instructions exactly when installing heater. Do not use a draft hood with this heater, as the exhaust is under pressure from the burner blower and a draft hood will allow exhaust fumes to blow into the room housing the heater. Exhaust venting to the outdoors is required for all outdoor shelter installations.

⚠ WARNING

Risk of explosion if a unit burning propane gas is installed in a pit or other low spot. Propane is heavier than air. Do not install the heater using propane in pits or other locations where gas might collect. Consult your local building code officials to determine installation requirements and specific installation restrictions of the heater relative to propane storage tanks and filling equipment. Installation must meet the requirements for the Standard for the Storage and Handling of Liquefied Petroleum Gases, CAN/CSA B149.2 (latest edition) or ANSI/NFPA 58 (latest edition). Consult local codes and fire protection authorities about specific installation restrictions.

The heater is design certified by CSA International for installation on combustible flooring; in alcoves; basements; in closet or utility rooms (in the U.S.).

GARAGE OR UTILITY ROOM INSTALLATION

In Canada, the heater must be installed in a room that is not normally occupied and has no openings directly to occupied areas.

⚠ WARNING

Risk of fire and explosion if installed at floor level in an automotive garage or near gasoline or flammable liquid storage. Gasoline fumes are heavier than air and will settle to floor level in closed spaces. Gasoline fumes and spilled gasoline or other volatile liquids (such as some paints and varnishes) will travel across the floor and can be ignited by a gas appliance.

In any utility room or residential garage installation, install the heater with the base at least 18 inches (.5M) above the floor, see [Figure 20](#). In a garage, install a rail or wall to protect the heater from physical damage by a moving vehicle.

Provide an adequate ventilation air supply (See [Table 8, page 19](#)).
Choose a location that will avoid contamination by chemical fumes.

⚠ CAUTION

A Propane (LPG) fired heater must not be installed in a garage in Massachusetts, by order of the Massachusetts State Fire Marshal. For more information, call the Massachusetts State Fire Marshal's office.

NOTICE: Combustion air contaminated by corrosive chemical fumes can damage the heater and will void the warranty (See [Table 9, page 19](#)).

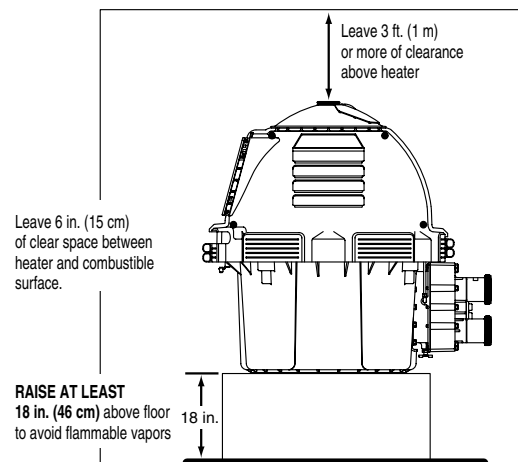


Figure 20.

CONTROL PANEL INDEXING

On an outdoor shelter installation, the exhaust discharges into a vent pipe. The heater control panel assembly, on top of the jacket, can be turned to any of six positions for convenient access to the panel, see [Figure 21](#).

1. Unbolt and separate the jacket halves.
2. Pull hair pin clips.
3. Depress plastic clips on the control panel assembly.
4. Lift panel off of support plate.
5. Turn the assembly to the desired position and snap in place.
6. Make sure that the operating controls can be adjusted without having to lean over the exhaust vent.
7. Replace hair pin clips.
8. Replace jacket halves and bolts and tighten.

FINAL INSTALLATION CHECK

Check that horizontal vent pipe runs slope uniformly at least 1/4" per foot (2cm per meter) to condensate drain(s). No sags, no dips, no high or low spots.

Check that vent is supported at elbows, tees, and horizontal and vertical runs according to manufacturer's instructions and code requirements.

Check that vent supports and wall and ceiling penetrations allow free movements up, down, and sideways without putting any strains on the heater or vent body.

Check for at least six inch (15cm) free air clearance between the heater vent pipe and combustible materials.

Check that all joints are completely together and sealed.

In Florida, building codes require that the heater be anchored to the equipment pad or platform to withstand high wind pressures created during hurricanes. A Bolt Down Bracket Kit, P/N 42001-0085S, see [Figure 22](#), is available with anchor clamps designed to hold the unit to the equipment pad in high wind conditions. Insert the Bolt Down Brackets in the knockouts in the Lower Enclosure and bolt them solidly to the pad. Installation of the anchor clamps are recommended in all installations and are required in Florida, (See Florida Building Code 301.13).

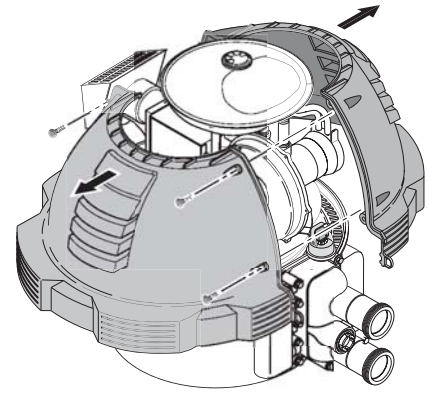
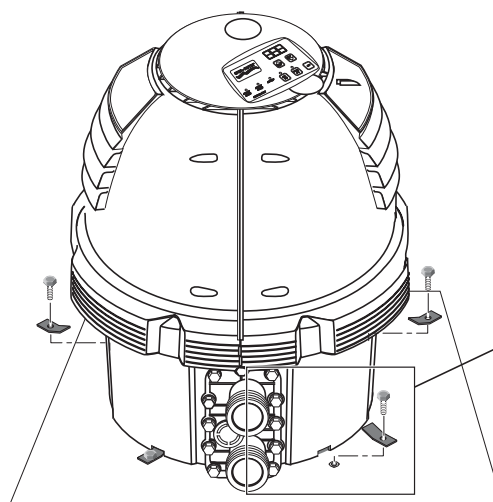
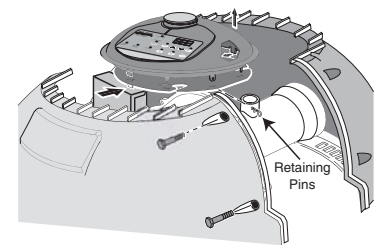
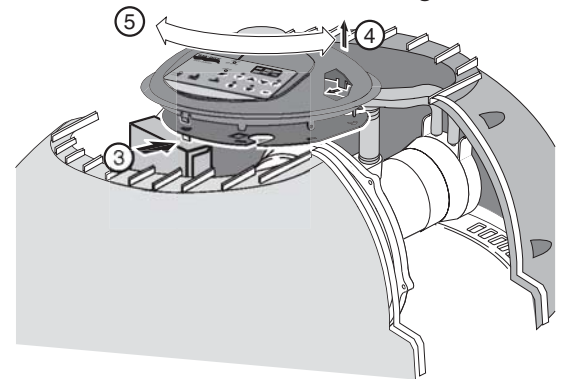


Figure 21.



Bolt Down Bracket Kit
P/N 42001-0085S

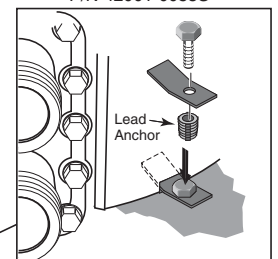


Figure 22.

ELECTRICAL CONNECTIONS

Electrical Rating 60 Hz 120 / 240 Volts AC, single phase

Enclose the line to the heater in an approved flexible conduit connected directly to the junction box on the inside of the access door panel. Line voltage field wiring should be 14 gauge, with a circuit capacity of 15 amps.

⚠ CAUTION

This heater is designed to operate at 120 or 240 VAC. It is not recommended to be connected to OR operate on a 208 VAC.

NOTE

- This heater is configured for a 240V application. If it is to be installed in a 120V application, remove the jacket halves, open the control box, remove the 240V plug from the receptacle and replace it with the 120V plug. The 120V plug is located within the control box. This procedure is to be performed prior to making any electrical connection to the heater.
- If any of the original wiring supplied with this heater must be replaced, installer must supply (No. 18AWG, 600V, 105° C. U.L. approved AWM low energy stranded) copper wire or it's equivalent.



⚠ CAUTION

The heater ships from the Factory with the 240V plug installed. Installing the 120V plug and then connecting the heater to 240V line current will immediately destroy the transformer, control board and ignition control module, and will void warranty. If you install the 240V plug and connect the heater to 120 volts line current, the heater will not operate.

Please read the boxes headed “**IMPORTANT! READ ME FIRST!**” on [pages 37](#) and [41](#) before proceeding.

1. All wiring must be in accordance with all applicable codes.
2. The heater, when installed, must be electrically grounded and bonded in accordance with local codes or, in the absence of local codes, with the National Electrical Code or the Canadian Electrical Code (as applicable). A bonding lug is provided on the outside of the panel under the vent for this purpose.
3. Electrical power circuits to the pool heater must follow local codes and National Electrical Code or Canadian Electrical Code (as applicable).
4. All wiring between the heater and devices not attached to it, or between separate devices which are installed in the field, must be “Type T” wire rated for 35°C rise.
5. All line voltage wiring shall be enclosed in approved flexible conduit, and shall be securely attached to the field wiring box located inside the access door panel. The conduit or cable connector at the field wiring box should contain an insulating bushing or its equivalent to prevent abrasion of the wires as they enter the box.
6. **The filter pump should run continuously when the heater is on, and for at least 15 minutes after the heater turns off.** Any switches in the pump circuit (including circuit breakers) that can disconnect the pump must also disconnect the heater.
7. Do not wire single-pole switches, including protective devices, into a grounded line. The heater is not sensitive to polarity.

Connect the **L1** of the power supply to the **black** wire, the **L2** or neutral lead to the **red** wire, and the **ground** wire to the **green** wire. A time clock controlling the filter pump should have a low-voltage Fireman’s Switch that switches off the heater at least 15 minutes before shutting off the pump, see [Figure 23](#).

Always use crimp type connectors when connecting two wires.

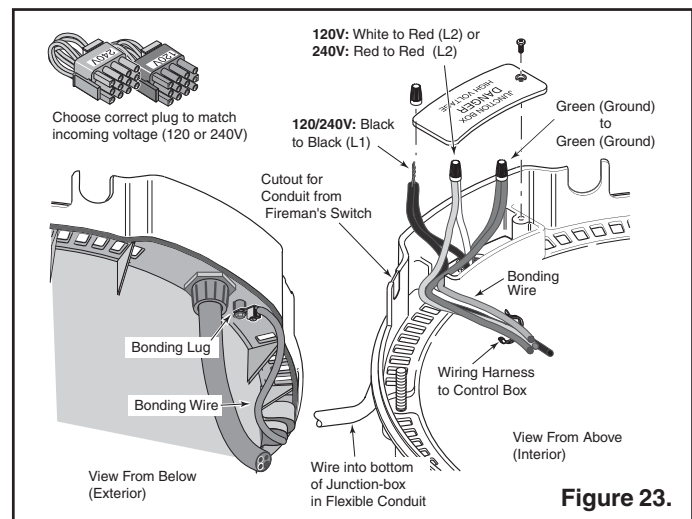


Figure 23.

CONNECTION OF FIREMAN'S SWITCH OR REMOTE CONTACT

⚠ CAUTION

If, while there is line voltage connected to the heater, you touch either line voltage terminal with any 24VAC wire that is connected to the control board (including the Fireman's Switch jumper), you will immediately destroy the control board and void the warranty.

REMOTE CONTROL CONNECTIONS

1. Switch off power to heater at main circuit breaker panel.
2. Unbolt and remove the upper jacket halves (see Figure 24).
3. Open control box cover.
- 4a. *To connect a 2-Wire Control* (such as Pentair's IntelliTouch® or EasyTouch®) or a timer:
 - Remove the factory installed jumper from the Fireman's Switch terminals.
 - Connect wires between the Fireman's Switch terminals on the heater and the relay. Connect wires from the controller or timer to the Fireman's Switch. Controller, timer or relay should be sized to handle 24VAC at 0.5 Amp (because it will be completing the 24VAC control board circuit on the heater as shown in Figure 25). DO NOT apply line voltage to the Fireman's Switch terminals. Use 18 gauge wire with a minimum 3/64" (1.2mm) thick insulation rated for a temperature rise of at least 105°C.
 - Knock-outs are provided to route the wires through the bottom of the control box and past the junction box.
- 4b. *To connect a 3-Wire Control:*
 - Connect wires between the control board terminals on the heater and the external relays, as shown in Figure 26. Use at least 2 relays per heater, to allow for an "OFF setting" on each heater mode. Select relays that can handle logic level switching. DO NOT apply line voltage to control board terminals.
 - Move jumper (as shown on Figure 26) to enable external control and to disable the heater membrane pad's "Pool ON" and "Spa ON" buttons (the "OFF" key on the membrane pad remains functional).
 - Knock-outs are provided to route the wires through the bottom and the top of the control box and past the junction box.
5. Close control box cover.
6. Re-install and bolt up the jacket halves.

To control heaters that are operated in parallel, connect wiring at same locations on heater as 2-Wire or 3-Wire Control. It is imperative that each control circuit is isolated from the other control circuits, to avoid that current will flow from one heater to another through the control circuits.

NOTICE: The fuse for the Fireman's Switch is a 1.25 Amp 1¼ x ¼" fast blow fuse, which is commonly available.

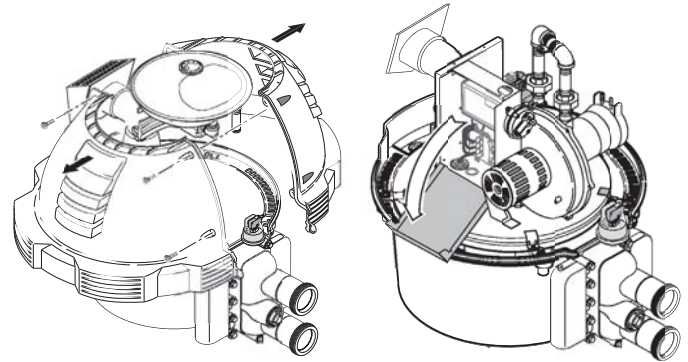


Figure 24.

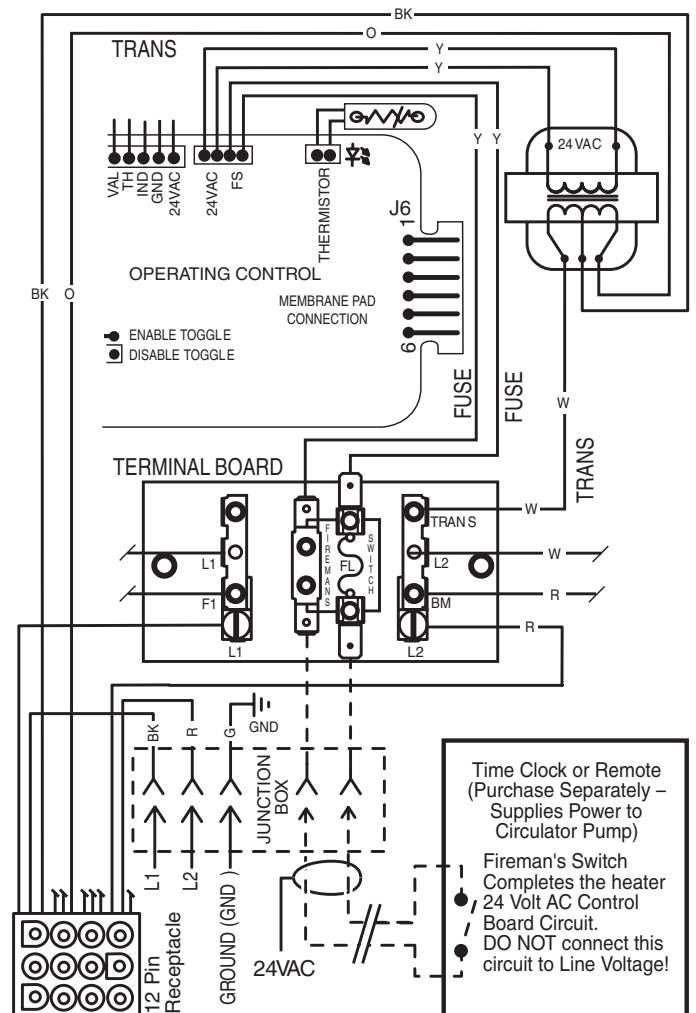


Figure 25.

MAX-E-THERM® WIRING DIAGRAM

(3-WIRE SYSTEM)

CONNECTION DIAGRAM

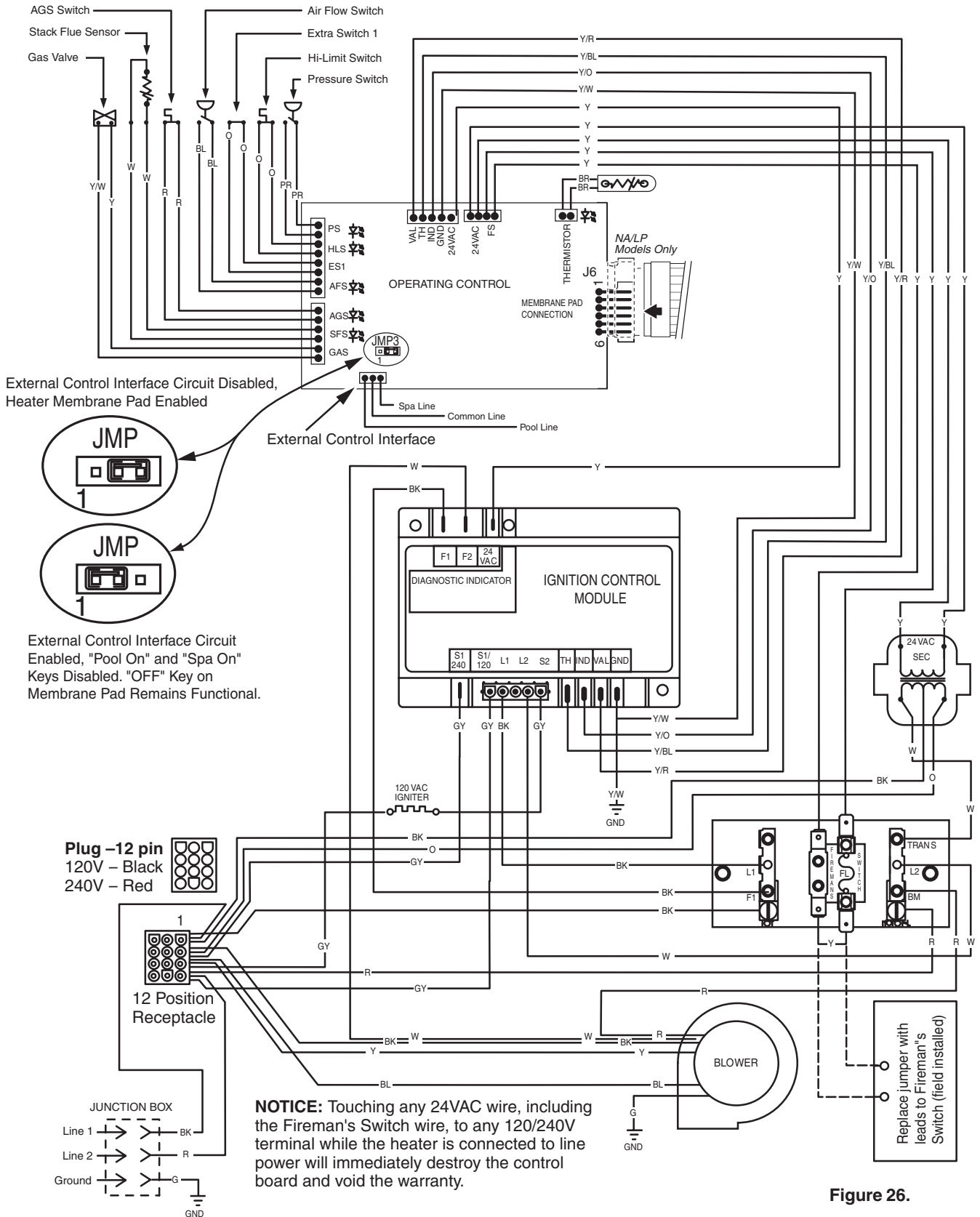
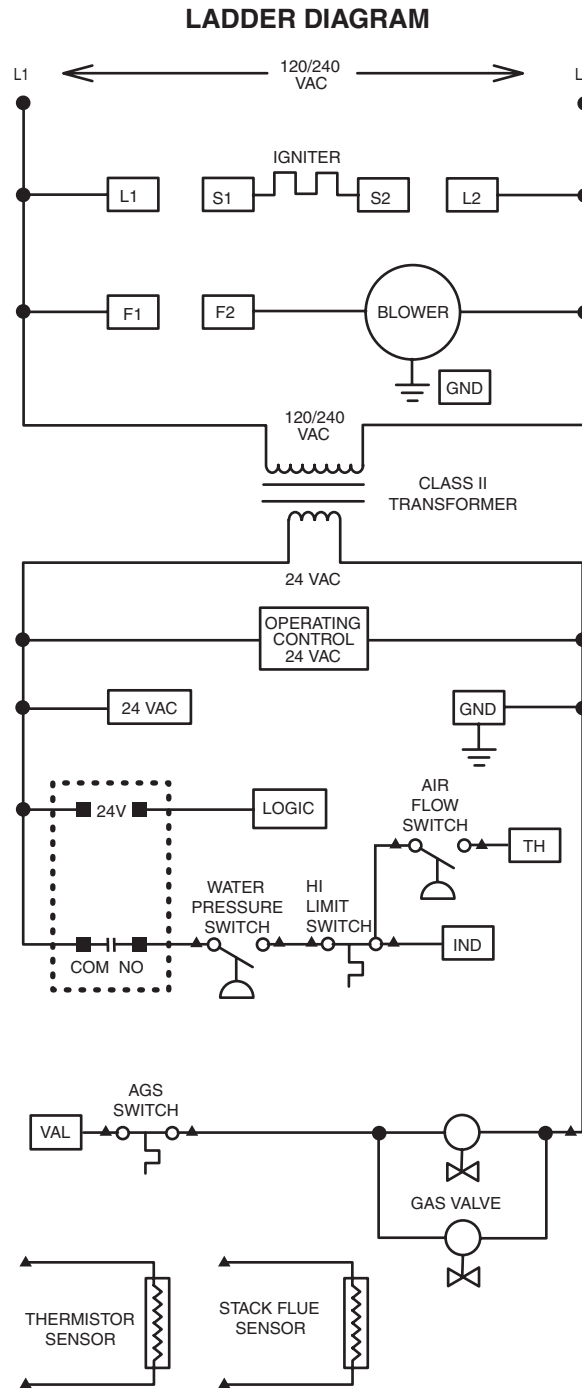


Figure 26.

MAX-E-THERM® ELECTRICAL SCHEMATIC LADDER DIAGRAM



NOTES:

- 1.)

| | | | | | |
|----|-----|-----|-----|-----|--------|
| L1 | L2 | F1 | F2 | S1 | 24 VAC |
| S2 | GND | IND | VAL | AND | TH |

ARE CONNECTED ON THE IGNITION MODULE.

- 2.) ▲ PIN AND SOCKET CONNECTOR.

- 3.) IF ANY OF THE ORIGINAL WIRES AS SUPPLIED WITH THE APPLIANCE MUST BE REPLACED, THEY MUST BE REPLACED WITH TYPE 105° C OR ITS EQUIVALENT.

Figure 27.



Operation Instructions

BASIC SYSTEM OPERATION

Start pump, make sure the pump is running and is primed, to close the water pressure switch and supply power to heater. Be sure the pool and/or spa is properly filled with water. Follow the Lighting/Operating instructions below.

MAX-E-THERM® HSI ELECTRONIC IGNITION LIGHTING/OPERATION

FOR YOUR SAFETY: READ BEFORE LIGHTING

|  WARNING | |
|--|--|
|  | If you do not follow these instructions exactly, a fire or explosion may result causing property damage, personal injury or loss of life. |
| | Do not attempt to light the heater if you suspect a gas leak. Lighting the heater can result in a fire or explosion which can cause personal injury, death, and property damage. |

START-UP AND OPERATION

START-UP AND SHUTDOWN INSTRUCTIONS ARE ON THE LABEL ATTACHED TO THE COVER OF THE APPLIANCE CONTROL BOX.

BEFORE START-UP

- A. This appliance does not have a pilot. It is equipped with an ignition device which automatically lights the burners. Do not try to light the burners by hand.
- B. **BEFORE OPERATING**, smell all around the appliance area for gas. Be sure to smell next to the floor because some gas is heavier than air and will settle on the floor.

WHAT TO DO IF YOU SMELL GAS

- Do not try to light any appliance.
 - Do not touch any electrical switch; do not use any phone in your building.
 - Immediately call your gas supplier from a neighbor's phone. Follow the gas supplier's instructions.
 - If you cannot reach your gas supplier, call the Fire Department.
- C. Use only your hand to turn the gas control on or off. Never use tools. If you cannot change the ON/OFF setting by hand, don't try to repair it, call a qualified service technician. Forced or attempted repair may result in a fire or explosion.
- D. Do not use this heater if any part has been under water. Immediately call a qualified service technician to inspect the heater and to replace any part of the control system and any gas control which has been under water.

- E. Do not operate the pool heater unless the pool or spa is properly filled with water.
- F. Before operating the appliance for the first time or after it has been off for an extended time, perform the following checklist:
1. Remove debris or other articles from inside the heater and the area around the heater and its exhaust vent. Make sure the ventilation openings are clear of debris or obstruction. For installations in an enclosed space, make sure openings for combustion and ventilation air are unobstructed.
 2. Keep heater area clear and free from combustibles, flammable liquids and chemicals.
 3. Check that all water connections are tight.
 4. Water must be flowing through the heater during operation. Make sure that pool/spa is filled with water and have pump operating. Check that water flow is unobstructed from the appliance. When operating for the first time or after an extended shut-down, run filter pump for several minutes to clear all air from the system.

OPERATING INSTRUCTIONS

1. **STOP!** Read the safety information on (page 32).
2. Set both pool and spa thermostats to the lowest settings.
3. Turn off all electric power to the appliance.
4. This appliance does not have a pilot. It is equipped with an ignition device which automatically lights the burner. Do not try to light the burner by hand.
5. Remove the jacket cover(s) by unfastening the screws connecting both halves of the top jacket, see Figure 28.
6. **Toggle-Style Valve:** Pull toggle toward you to turn gas off, see Figure 29.
7. Wait five (5) minutes to clear out any gas. If you then smell gas, **STOP!** Follow “B” in the “Before Start-up” instructions (page 32). If you don’t smell gas, go to the next step.
8. **Toggle-Style Valve:** Push toggle away from you to turn gas on.
9. Replace the jacket cover(s). All jacket covers must be in place when operating the heater.
10. Set 3-way valves on inlet and outlet to pool or spa, as appropriate.
11. Turn on all electric power to the appliance.
12. Press either the POOL ON or SPA ON button switch on the operating control.
13. Set the thermostat to desired setting (**NOTICE:** Set point must be above actual water temperature or burner will not fire). See “OPERATING the CONTROL PANEL”.
14. The blower should come on immediately, and after about 20 seconds, the burner should fire. When operating for the first time, the burner may not fire on the first try because of air in the gas line. If it does not fire at first, push the OFF switch, wait five minutes, and again push the POOL or SPA ON switch. The burner should fire after about 20 seconds. You may have to repeat this until all of the air has cleared the gas line.
15. The burner should fire until the pool/spa temperature reaches the desired temperature set on the thermostat. The blower will continue to run for about 45 seconds after the burner shuts off. If any of the safety interlocks should open during burner operation, the burner shuts off immediately, but the blower continues to run for about 45 seconds. Should overheating occur or the gas supply fail to shut off, turn off the manual gas control valve to the appliance.
16. If the appliance will not operate, follow the instructions below “TO TURN OFF GAS TO THE APPLIANCE”, and call your service technician or gas supplier.

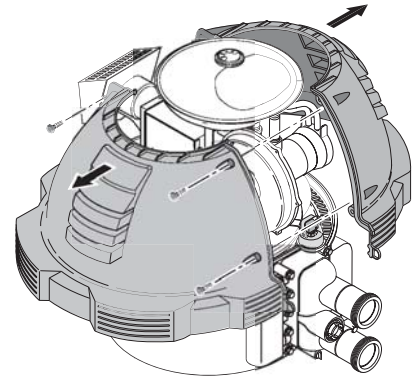


Figure 28.

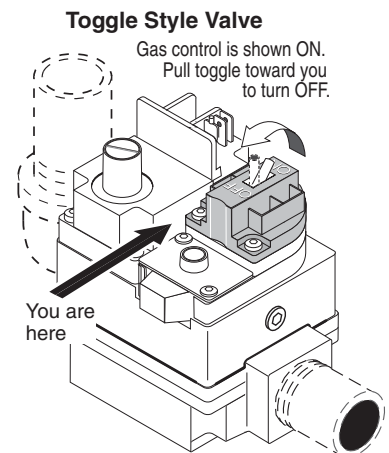


Figure 29.

TO TURN OFF GAS TO APPLIANCE

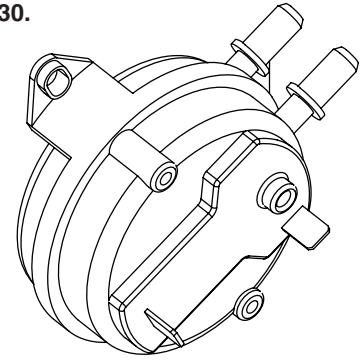
1. Press the OFF button on operating control.
2. Switch off all electric power to the unit.
3. Remove the jacket cover(s), see Figure 28.
4. **Toggle-Style Valve:** Pull toggle toward you to turn gas off, see Figure 29.
5. Replace the jacket cover(s).

SAFETY CONTROLS

AIR FLOW SWITCH (AFS)

The air flow switch, (see **Figure 30**), is a safety device used to insure that the combustion air blower (fan) is operating and has been designed to monitor the vacuum (negative) pressure within the blower housing. The air flow switch is factory set and is connected upstream of the ignition module. The ignition module does not operate unless the air pressure switch and all safety switches are closed.

Figure 30.



Air Flow Switch

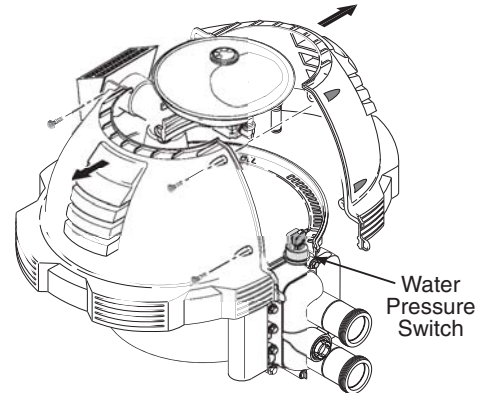
WATER PRESSURE SWITCH

⚠ WARNING

Hazardous pressure. Do not bypass the Water Pressure Switch or render it inoperable.

The water pressure switch, (see **Figure 31**). If the water flow is restricted, the water pressure switch may prevent the burner from firing and cause the “Service System” light to go on. If the light remains on after the filter has been serviced, have a qualified service technician check the system.

Figure 31.



For deck-level heater installations, the Water Pressure Switch is factory set at 3.00 psi (20.6 kPa). **NOTE:** See, *Below Pool Level Installation instructions on page 12*. If the pressure switch is one foot (.3M) below or above the pool water level, reset the switch so that it is open when the pump is off and closed when the pump is running. Turn the star-wheel on the switch clockwise (↻) to raise setting (heater below the pool) and counterclockwise (↺) to lower the setting (heater above the pool – see **Figure 32**. Test the switch after resetting.

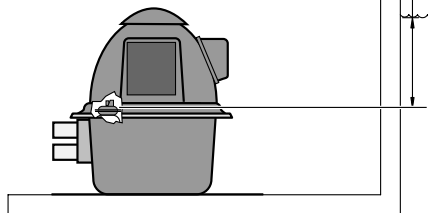
NOTICE: When the heater is mounted more than five feet (1.5M) above or four feet (1.2M) below the deck level, a Pressure Switch is no longer adequate. A Flow Switch must be installed instead.

NOTICE: Heater operation with incorrect Pressure Switch setting may cause operation with no water flow. Operation of the heater without sufficient water flow may severely damage it.

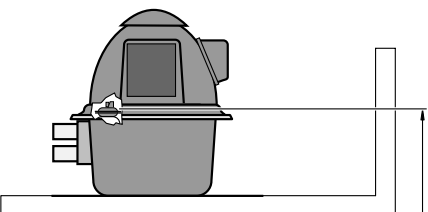
HIGH LIMITS

A “High Limit”, is a safety device that opens the electrical circuit and shuts off the heater based on a water temperature set point within the “High Limit Device”. The Max-E-Therm series of heaters contains two (2) high limit devices which are located on the main inlet / outlet header.

Turn star wheel **clockwise** to raise pressure set point if pressure switch is more than 4 feet (1.2M) below water level



A reference scale is on the back of pressure switch



Turn star wheel **counterclockwise** to lower pressure set point if pressure switch is more than 5 feet (1.5M) above water level

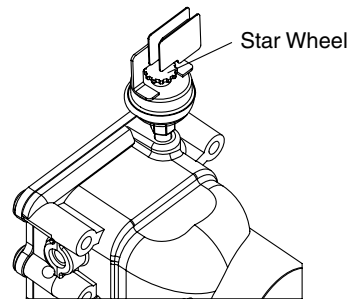


Figure 32.

SAFETY CONTROLS, (cont'd.)

OPERATION OF IGNITION MODULE

The Ignition Module, (see [Figure 33](#)), is microprocessor based and operates on 24VAC supplied by the transformer. The control utilizes a microprocessor to continually and safely monitor, analyze, and control the proper operation of the gas flame holder. The module with the presence of the flame sensor, using flame rectification, allows the heater to operate.

OPERATING THE CONTROL PANEL

The five operating switches are:

POOL ON Press this button to govern heater operation by the pool temperature setting.

SPA ON Press this button to govern heater operation by the spa temperature setting.

HEATER OFF Press this button to switch off the heater.

▲ TEMP Press this button to raise the temperature setting.

▼ TEMP Press this button to lower the temperature setting.

To toggle the display between degrees Centigrade (°C) and degrees Fahrenheit (°F):

1. Turn the Operating Control OFF.
2. Press **▲ TEMP** or **▼ TEMP** for 5 seconds. The display will flash once and change modes (°C to °F or vice versa).
3. Turn the Operating Control ON.

When either the **▲ TEMP** or **▼ TEMP** buttons are depressed, the digital display will indicate the temperature setting. After five seconds, the display will return to the actual pool/spa temperature.

In addition to the digital temperature display, there are five indicator lights:

The **POOL ON** light indicates that the pool water temperature is governing operation of the heater.

The **SPA ON** light indicates that the spa water temperature is governing operation of the heater.

The **HEATING** light comes on and stays on when the burner is firing. This light should be on whenever the burner is on. It blinks when the heater is calling for heat but not firing. If this light is on but the burner fails to come on, one of the “service” lights should come on, indicating a fault in the system.

The **SERVICE SYSTEM** light indicates that there is insufficient water flow to the heater. If the pump is operating, this usually indicates that the filter and/or skimmers should be cleaned (some filters may require back-washing). If the light remains on after the filter/skimmers have been serviced, the system should be checked by a qualified service technician.

The **SERVICE HEATER** light indicates a fault in the heater or its controls. If this light comes on, shut down the heater (See “TO TURN OFF GAS TO THE APPLIANCE” on [page 33](#)), and have a qualified service technician check the system.

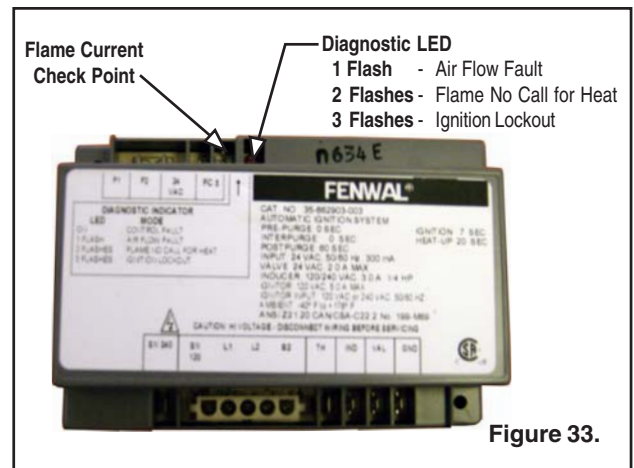
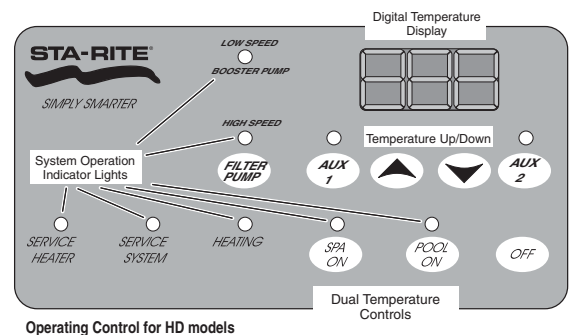
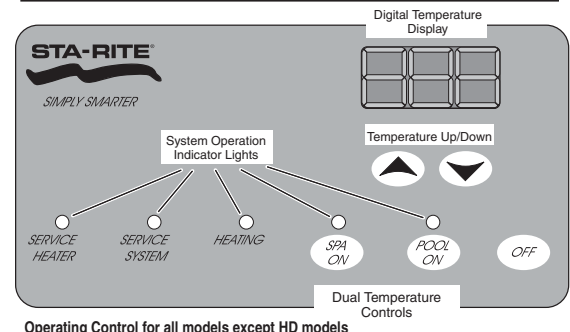


Figure 33.



Operating Control for HD models



Operating Control for all models except HD models

(See [page 30](#) for the External Control Interface for HD models.)

Figure 34.

⚠ WARNING

Risk of explosion or fire causing burns or death if safety interlocks are disabled. DO NOT attempt to operate heater when SERVICE HEATER light is on or if blower or burner will not start. Instead, follow instructions under “To Switch Off Gas to the Appliance,” and call a qualified service technician to repair unit.

TEMPERATURE SETTING

The heater comes factory set at 78° F for the pool mode and 100° F for the spa mode. Using the up and down arrows, you can set the thermostats to a minimum temperature of 65° F, or a maximum of 104° F. If you desire to heat only one body of water, the thermostat is capable of an off mode. As an example, if you only wish to heat the spa and not the pool, simply depress and hold the pool down arrow, and the thermostat will lower its setting to 65° F then go to an off mode.

MAXIMUM TEMPERATURE SET POINT

1. Unbolt and remove the upper jacket halves (see [Figure 35](#)).
2. Pull hair pin clips.
3. Press the clips and remove the control panel board dome. Locate the yellow button on the corner of the control board.
4. Push the **Max. Temp. Set Point** button on the back of the control board (see [Figure 36](#)).

The following sequence should happen:

- A. The unit will come on and the **POOL ON** light will come on.
 - B. Press the **▲ TEMP** or **▼ TEMP** pad (on TOP of the panel) to set maximum pool temperature.
 - C. Wait up to 30 seconds; the **POOL ON** light will go off and the **SPA ON** light will come on. To override the time delay, push the **Max. Temp. Set Point** button again.
 - D. Press the **▲ TEMP** or **▼ TEMP** button on the control panel and set maximum spa temperature to 104°F (40°C) or less.
 - E. Wait up to 30 seconds; the **SPA ON** light will go off and the unit will shut down. To override the time delay, push the **Max. Temp. Set Point** button again.
5. Reinstall and bolt up the upper jacket halves.

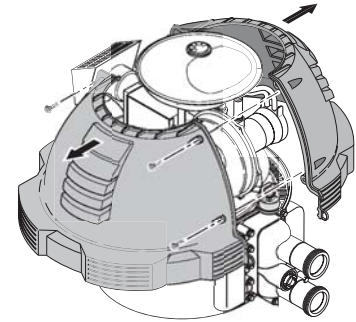


Figure 35.

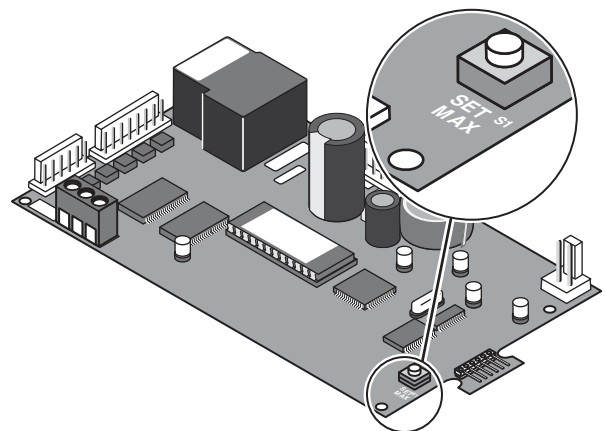
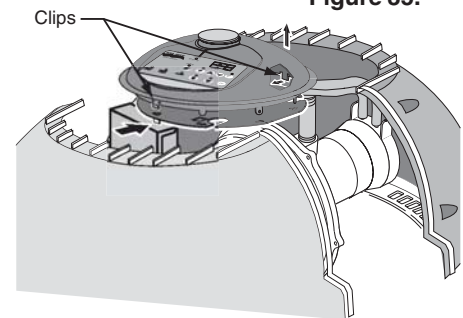


Figure 36.

Troubleshooting Instructions

Initial Troubleshooting

Only qualified, trained service technicians with appropriate test equipment should service the heater. Remember that all parts of the system affect heater operation. Before starting this troubleshooting procedure, make sure that the pump is running correctly, that there are no blockages in the system, that the valves are correctly set and that the time clock is correctly set and is running.

IMPORTANT! READ ME FIRST!

NOTICE: Installing the **black 120 volt** plug in the control box and then connecting the heater to a **240 volt line will destroy the transformer, control board, and ignition control module, and will void the warranty.** If you install the red 240 volt plug and then connect the heater to a 120 volt line, the heater will not operate.

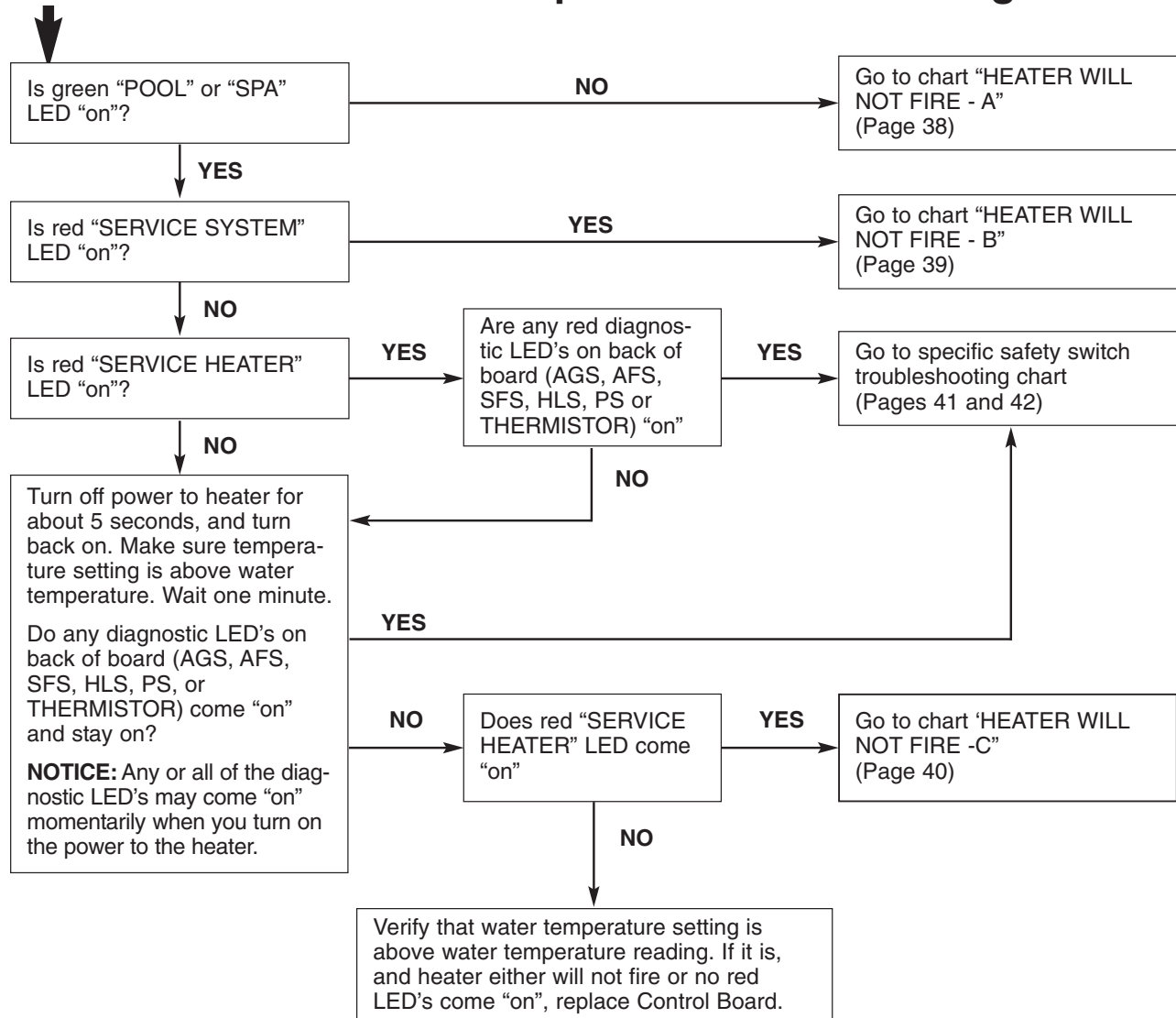
READ THE FOLLOWING CAREFULLY:

1. Check the line voltage to your heater. This heater will operate

on either 120 Volts AC or 240 Volts AC.

2. Remove the covers and check the 12-pin plug in the back of the control box. The plug must match the voltage in the heater circuit.
3. If the 12-pin plug is not plugged into the back of the control box, select the correct plug from the bag in the control box and plug it in. The **BLACK** plug is for **120 volts**, the **RED** plug is for **240 volts**.

Start here for directions to specific Troubleshooting Chart

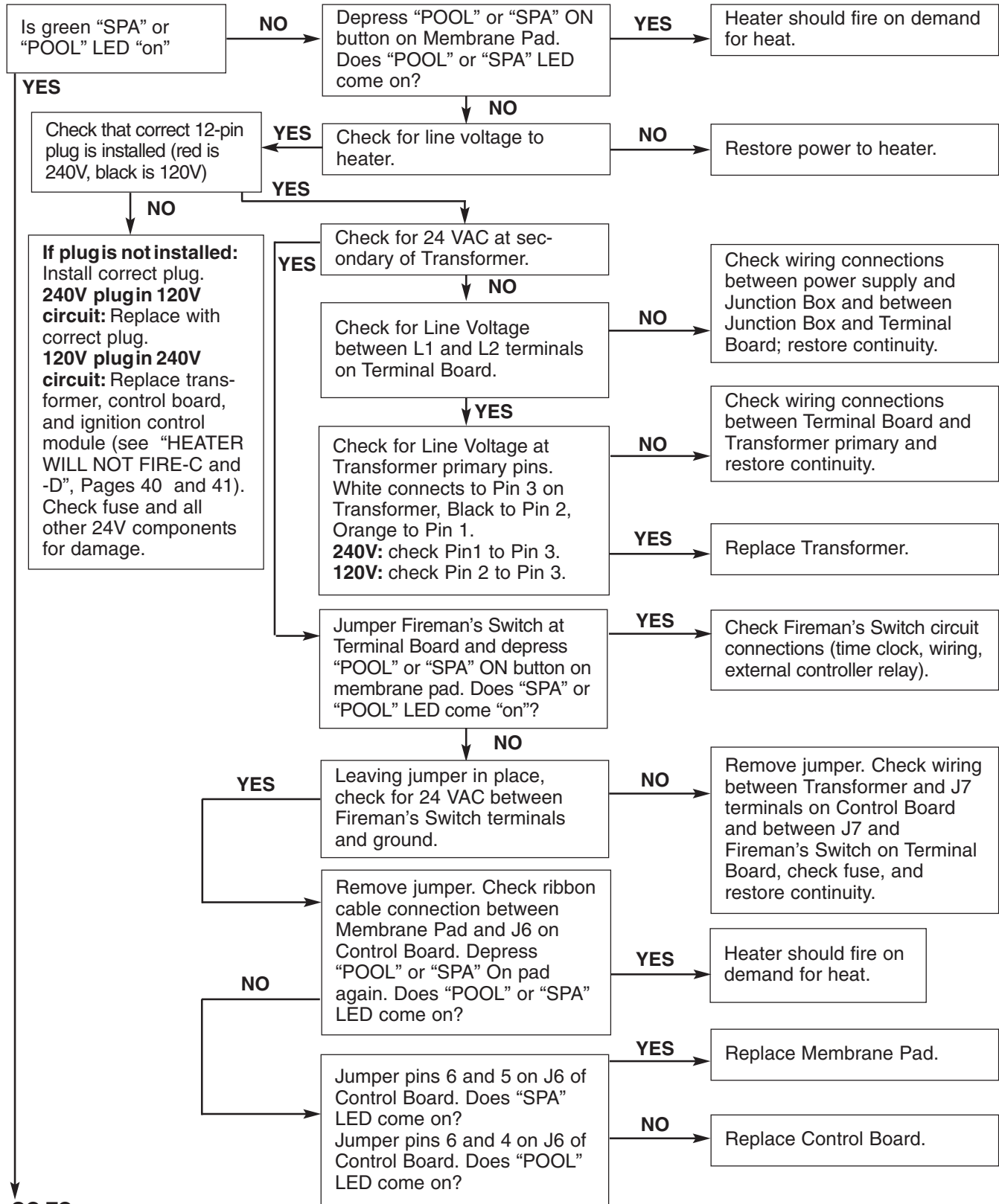


⚠ WARNING Hazardous voltage. Can shock, burn or kill. Disconnect power before servicing any components.

⚠ WARNING Fire and Explosion hazard. Do not jumper switch terminals to remedy a failed safety switch.

Heater Will Not Fire - A

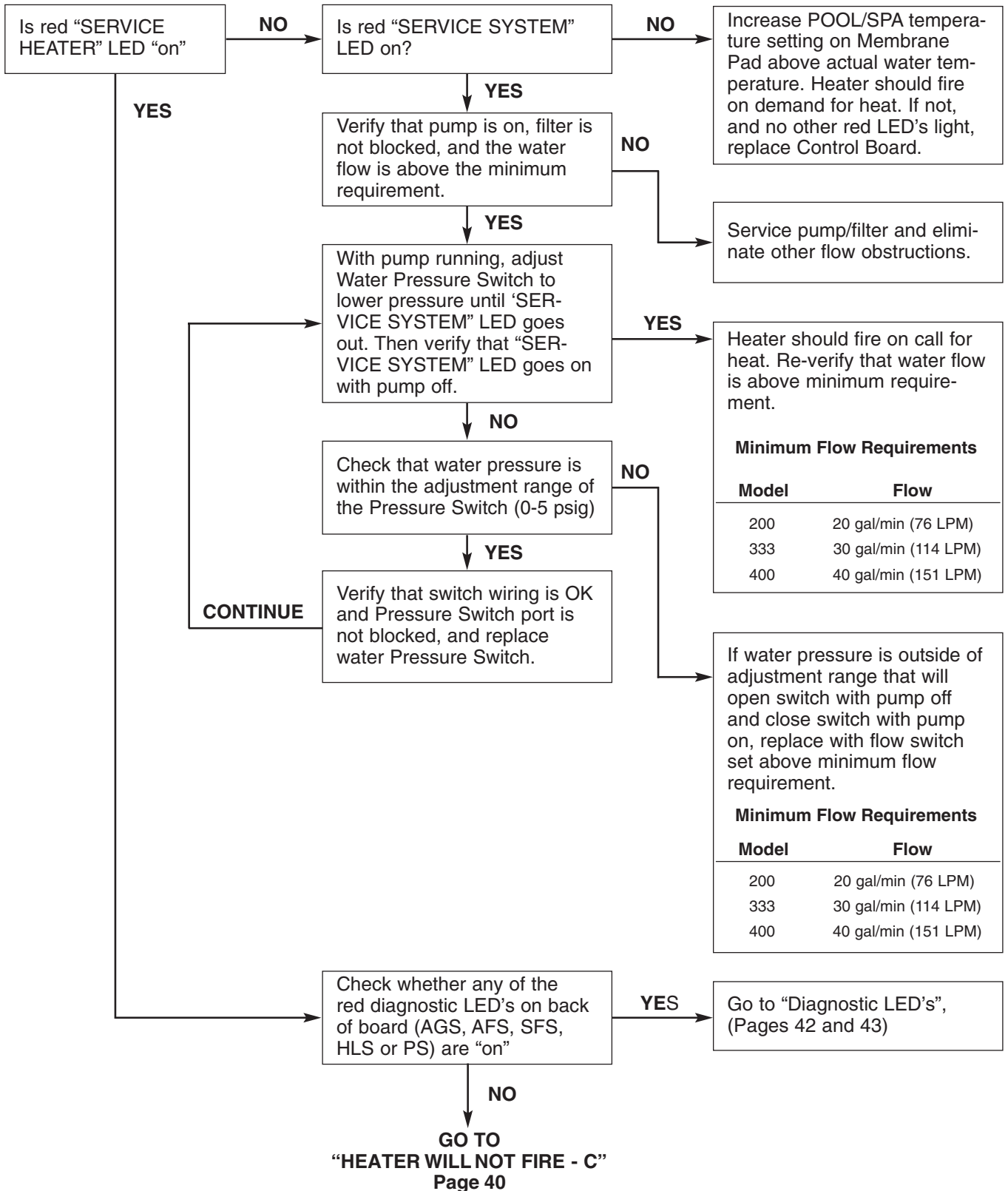
Start



GO TO
"HEATER WILL NOT FIRE - B"
Page 39

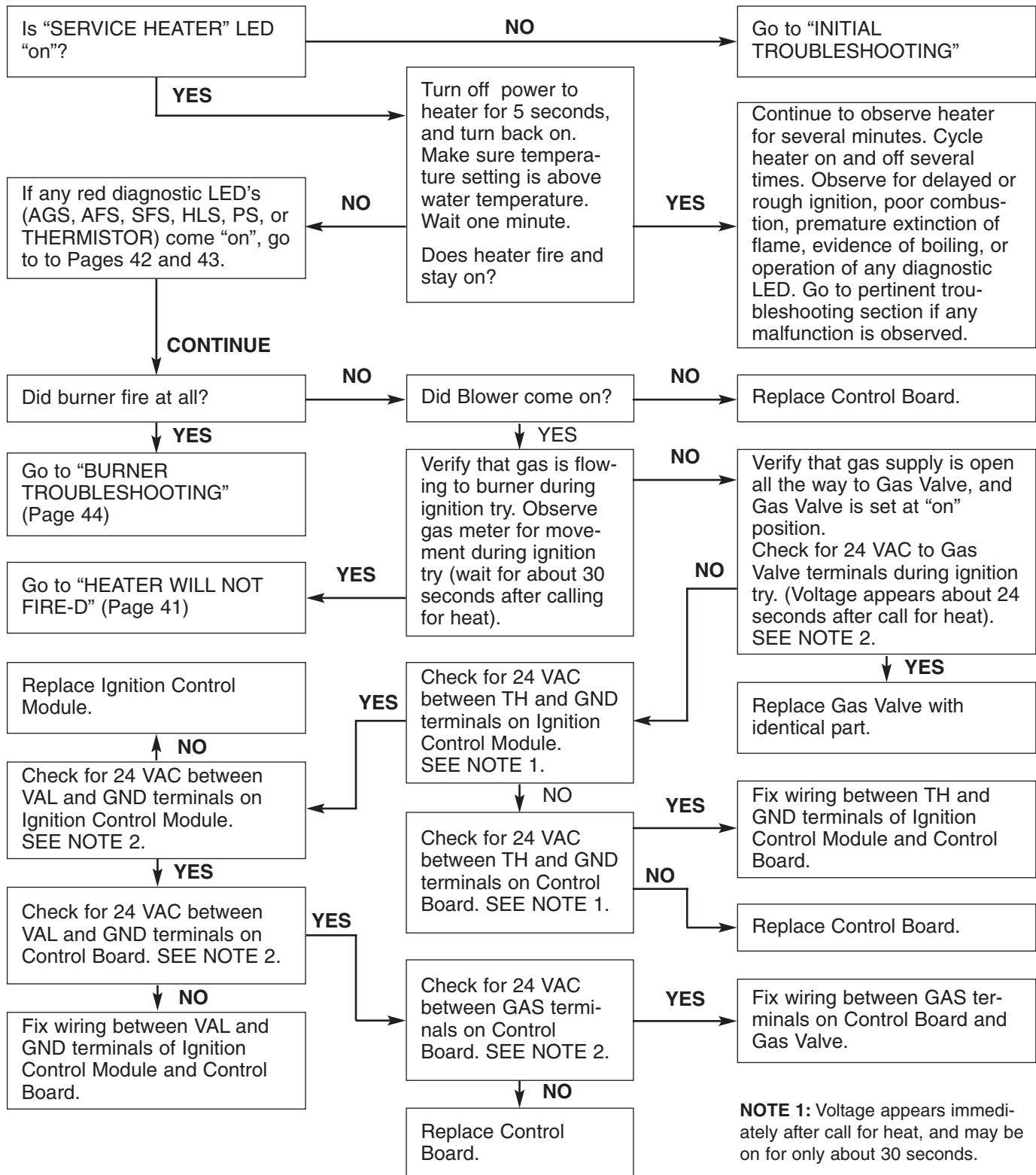
Heater Will Not Fire - B

Start



Heater Will Not Fire - C

Start



NOTE 1: Voltage appears immediately after call for heat, and may be on for only about 30 seconds.

NOTE 2: Voltage appears about 24 seconds after call for heat, and may be on for only about 7 seconds.

Heater Will Not Fire - D

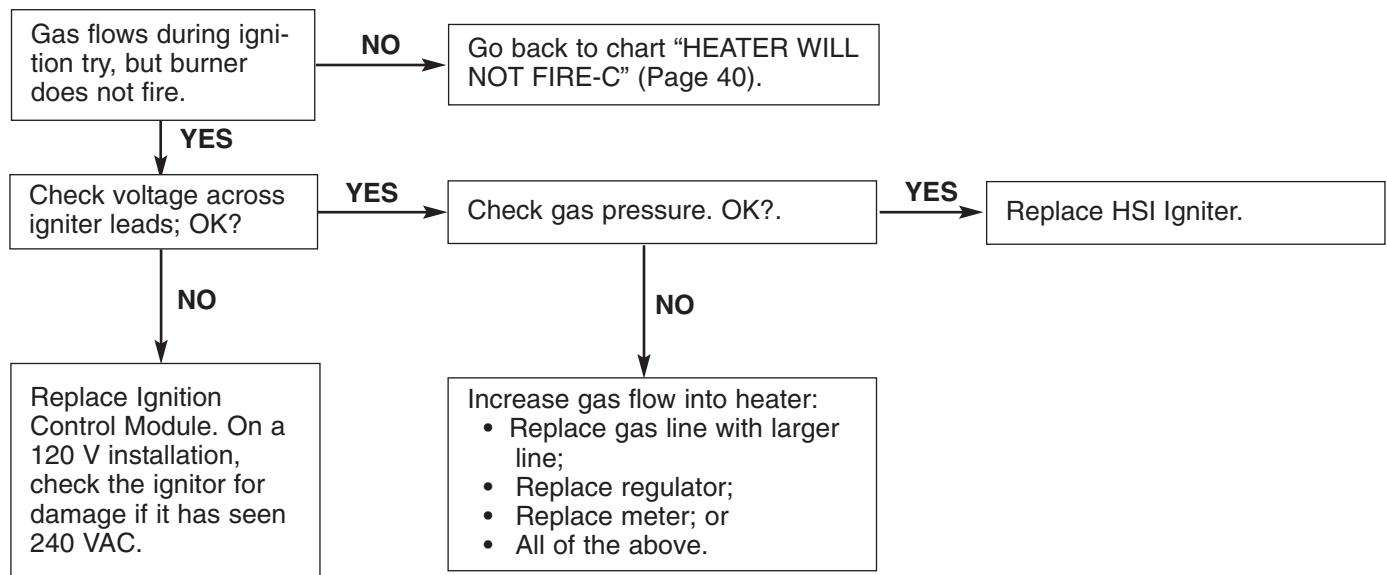
IMPORTANT! READ ME FIRST!

IMPORTANT! READ ME FIRST!!

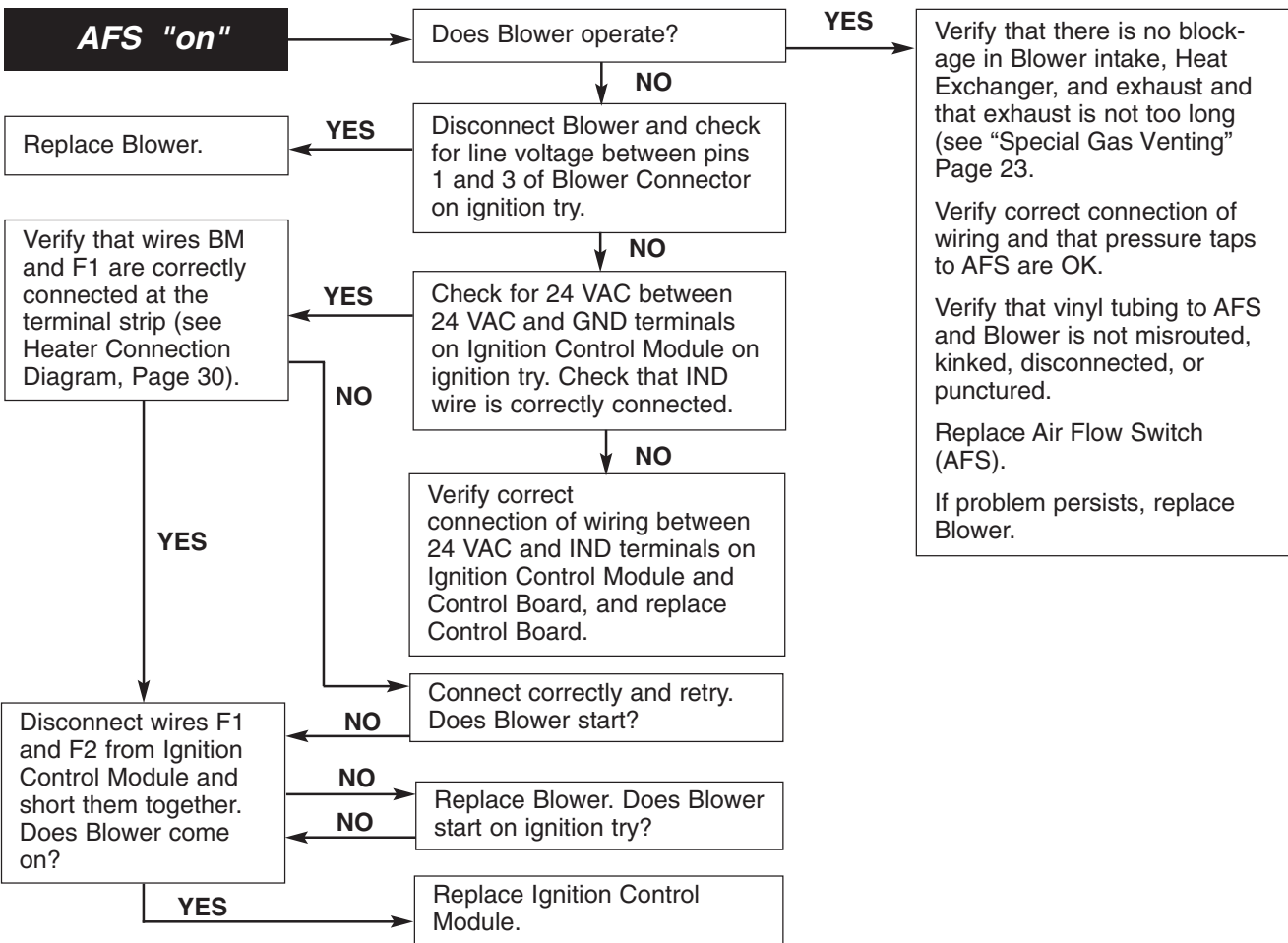
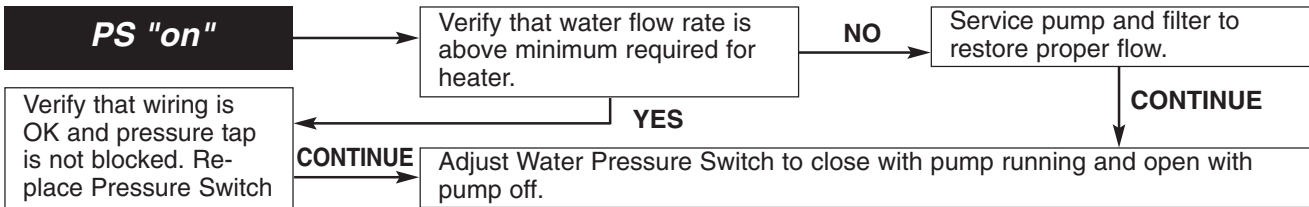
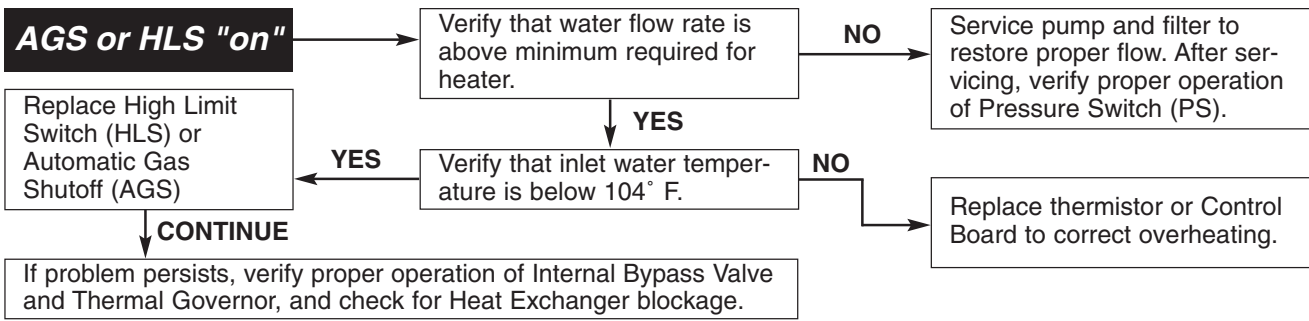
If your heater is correctly connected to **240 Volts AC**, the Ignition Control Module (ICM) will convert the 240VAC to an intermittent pulse to the ignitor. Digital meters don't read this type of signal well. (An analog meter will give a better reading than a digital meter). If the ICM is bad, your volt-

meter will read either 0 VAC or 240 VAC. If your ICM is good, your meter will read some voltage between 0 and 240 VAC. Exactly what reading you get will depend on the meter, but with a good ICM, the reading won't be 0 VAC or 240 VAC, but somewhere in between.

Start

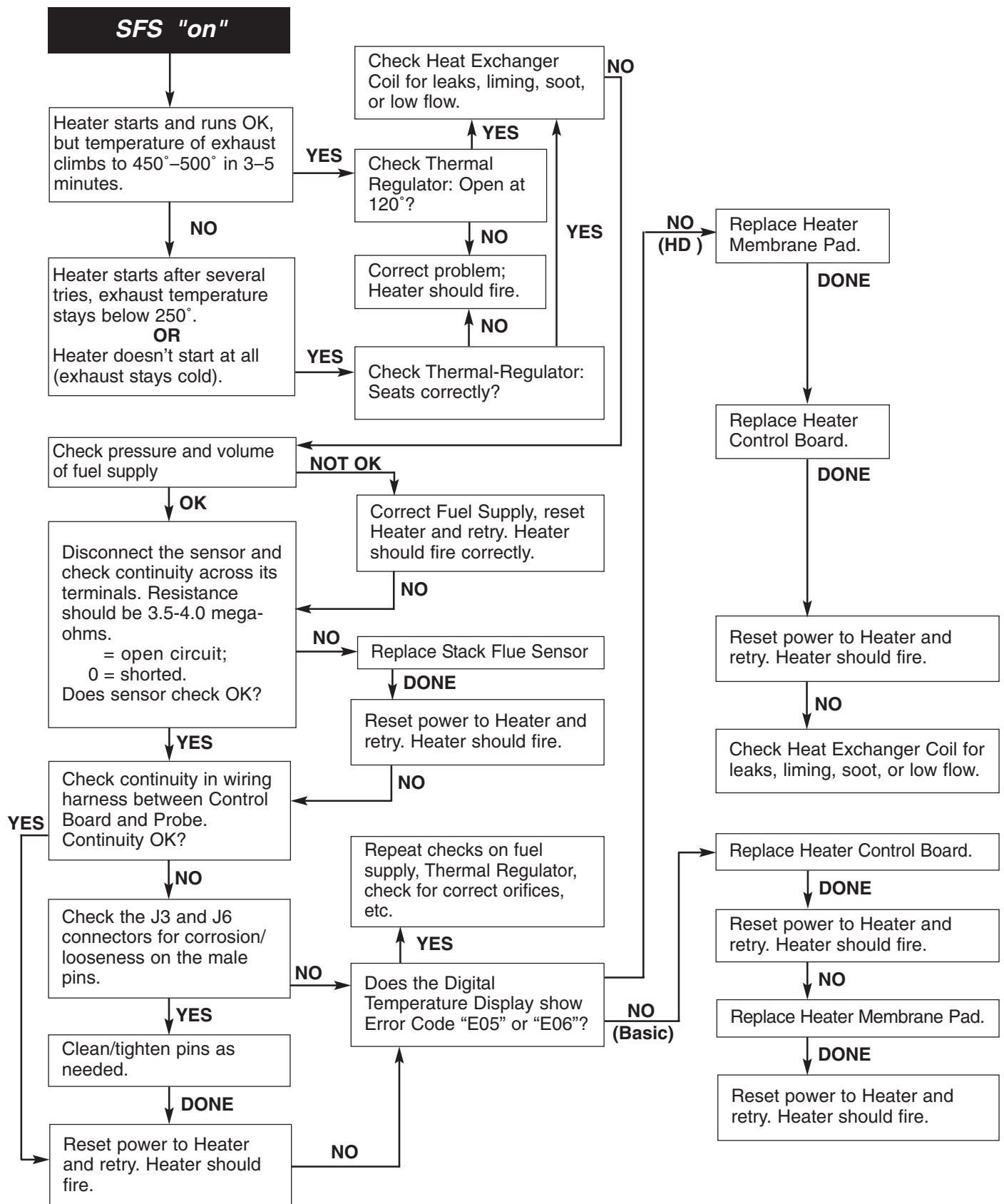


Diagnostic LED's: AGS, AFS, HLS, PS, THERMISTOR



CAUTION Do not jumper a safety switch to remedy a failed switch. **NOTE:** ES1 is a spare and should be jumpered.

Diagnostic LED's: SFS



Burner Troubleshooting

| SYMPTOM | CAUSE | REMEDY |
|--|------------------------------------|--|
| Loud, high-pitched whine | Flame is too rich. | Verify pressure tap between gas valve and blower inlet. See page 16 and verify that the gas regulator setting is $-0.2''$ (-0.5cm) wc. Contact a qualified technician or service agency to replace the gas orifice. |
| Flame is "fluttery." Exhaust may have acrid smell or burner may fail to stay lit. | Flame is too lean. | See page 16 and verify that the gas regulator setting is $-0.2''$ (-0.5cm) wc. Contact a qualified technician or service agency to replace the gas orifice. |
| Burner pulsates or surges, especially on ignition. | Exhaust vent is too long. | Reduce length of exhaust vent and/or number of elbows. |
| Combustion appears normal, but flame does not stay lit. | Flame current is not being sensed. | Check for wet or damaged igniter with low resistance to ground. Replace with new igniter. Verify burner flameholder is properly grounded. Replace Ignition Control Module. |

Heat Exchanger Troubleshooting

| SYMPTOM | CAUSE | REMEDY |
|---|--|---|
| Boiling in heat exchanger. May be accompanied by "bumping" sounds. | Low water flow to heater. Heat exchanger plugged. Bypass valve stuck open. Thermal governor stuck closed. | Service pump and or filter. Service heat exchanger. Correct water chemistry. Service bypass valve. Replace thermal governor. |
| Sweating. | Thermal governor failed. | Replace thermal governor. |

Maintenance Instructions

CARE AND MAINTENANCE

⚠ WARNING

Risk of fire or explosion from flammable vapors. Do not store gasoline, cleaning fluids, varnishes, paints, or other volatile flammable liquids near heater or in the same room with heater.

The following maintenance is recommended every six months and at the start of every swimming season:

1. Inspect the jacket covers and venting system to make sure that there are no obstructions to the flow of ventilating air or burner exhaust. Check that room air intakes are open and clear of obstructions.
2. Keep the area in and around the heater clear and free from combustible materials, gasoline and other flammable vapors and corrosive liquids.
3. Test the operation of the pressure relief valve by lifting the valve lever, (if installed).
4. Test for proper operation of the water pressure switch. (See “WATER PRESSURE SWITCH” (page 34) for testing instructions).
5. On enclosed installations with high-temperature Special Gas Vent systems, repeat the “Final Installation Check,” [page 27](#). Check for evidence of joint leakage. Make sure that joints have not slipped partially or completely apart. Check pipe and fittings for cracks or breaks. The combustion air blower is permanently lubricated, and does not require periodic lubrication. The burner does not require maintenance or adjustment by the user. Call a qualified service technician if you suspect that the burner may require maintenance.

PRESSURE RELIEF VALVE (NOT FACTORY INSTALLED)

Some U.S. local codes may require installation of a pressure relief valve (PRV). Purchase separately and install a 3/4" pressure relief valve complying with the ANSI/ASME Boiler and Pressure Vessel Code, having a capacity equal to the Btu/hr rating of the heater. The relief pressure of the valve **MUST NOT EXCEED 50 PSI**.

A 3/4" NPT connection is provided in the manifold for installing a pressure relief valve. The relief valve must be installed vertically. To install the valve, use a 3/4" brass nipple and elbow (user supplied), as illustrated in [Figure 37](#). No valve is allowed to be placed between the manifold adapter and the relief valve.

To avoid water damage or scalding from operation of the relief valve, install a drain pipe in the outlet of the pressure relief valve that will direct water discharging from the valve to a safe place for disposal. Do not install any reducing couplings or valves in the drain pipe. The drain pipe must be installed so as to allow complete drainage from the valve and drain line. ***The relief valve should be tested at least once a year by lifting the valve lever.***

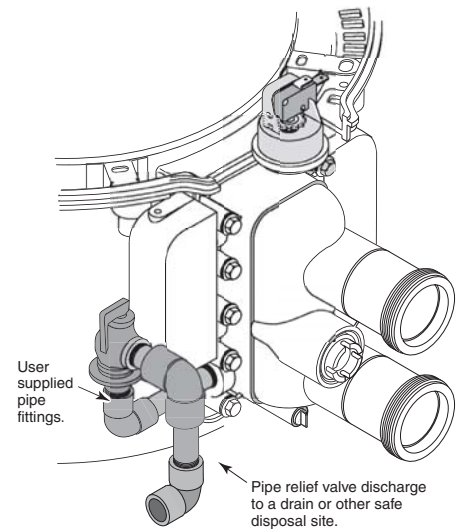


Figure 37.

⚠ WARNING

Explosion hazard. Any heater installed with restrictive devices in the piping system downstream from the heater, (including check valves, isolation valves, flow nozzles, or therapeutic pool valving), must have a relief valve installed as described above.

AFTER START-UP

CHECKING WATER FLOW

⚠ WARNING

Fire or flooding hazard. If the unit overheats and the burner fails to shut off, follow instructions under “To Turn Off Gas to the Appliance”, page 33, and call a qualified service technician to repair unit.

After start-up, the outlet water pipe should feel slightly warmer than the inlet pipe. If it feels hot, or if you hear the water in the heater boiling, there may not be enough water flow to the appliance. Make sure that the filter is not plugged. If water temperature remains high but the unit continues to operate, turn off the appliance and call your service technician.

SPRING AND FALL OPERATION

If the pool is only used occasionally, lower the pool thermostat to 68° F (20° C) and leave the heater on. This will keep the pool and the surrounding ground warm enough so that the heater should restore the pool to a comfortable temperature within about one day.

WINTER OPERATION

⚠ CAUTION

- Operating this heater continuously at water temperatures below 68° F. (20° C) will cause harmful condensation and will damage the heater and void the warranty.
- If the heater has been drained for freezing condition, do NOT turn “ON” until the system is circulating water.
- Water trapped in the heat exchanger can result in freeze damage to the exchanger or headers. Freeze damage is specifically not covered by the warranty.
- When starting the heater for the swimming season with a water temperature below 50° F (10° C), the heater may be used to heat the water; however, make sure that the heater operates continuously until the water temperature reaches the heater’s minimum setting of 68° F (20° C). During cold weather, if there is no danger of freezing, operate the filter pump continuously even if the heater is not operating. If air temperatures are expected to drop below freezing (32° F/0° C), shut down the heater and winterize it.

For outdoor heaters in freezing climates, shut the heater down and drain it for winter as follows, see **Figure 38**:

1. Turn off electrical supply to the heater and pump.
2. Close main gas control valve and manual gas valve (located outside the heater). Turn switch on heater gas valve to OFF.
3. In northern climates where they may be required, open drain cock located on the bottom of the manifold adapter, and drain the heat exchanger and manifold adapter completely. If heater is below pool water level, be sure to close isolation valves to prevent draining the pool (isolation valves are not required and should not be used on heaters installed above pool water level except when needed for winterizing valves). Assist the draining by blowing out the heat exchanger through the pressure switch fitting with low pressure compressed air (less than 5 PSI or 35 kPa).

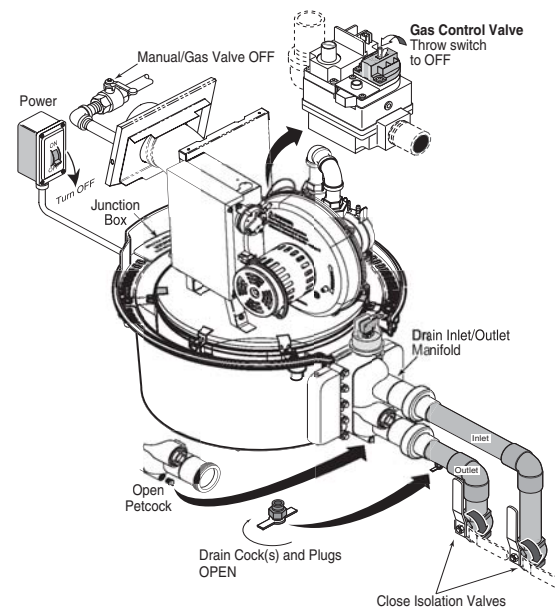


Figure 38.

⚠ WARNING

Explosion hazard. Purging the system with compressed air can cause components to explode, with risk of severe injury or death to anyone nearby. Use only a low pressure (below 5 PSI or 35 kPa), high volume blower when air purging the heater, pump, filter, or piping.

4. Remove the Water Pressure Switch. Plug the port in the manifold to prevent bugs and dirt from getting into the manifold.
5. Drain the plastic inlet/outlet manifold through the outlet pipe. If the pipe does not drain naturally to the pool, install a drain cock in the outlet pipe to drain the manifold.
6. Cover air inlet grate with a plastic bag to prevent bugs, leaves, etc., from getting into the heater.

NOTICE: Water trapped in the heater can cause freeze damage. Allowing the heater to freeze voids the warranty.

To return the heater to service after winterizing:

1. Close drain cock and fittings.
2. Before starting the heater, circulate water through the heater for several minutes until all air noises stop. See also “BEFORE START-UP” (page 32) and “CARE AND MAINTENANCE” (page 45).

(See additional notes under **Important Notices in Introduction.**)

MAINTAINING POOL TEMPERATURE

To maintain pool temperature, make sure that the heater switch and valving are reset to pool settings after using the spa.

ENERGY SAVING TIPS

1. Keep the pool or spa covered when not in use. This will reduce heating costs, reduce water evaporation, conserve chemicals and reduce load on the filtering system.
2. Reduce pool thermostat to 78° F (25° C) or lower; reduce spa temperature to 100° F (38° C). This is accepted as being the most healthy temperature for swimming by the American Red Cross.
3. Use a time clock to start the filter pump at 6 a.m. or later. The swimming pool loses less heat after daybreak.
4. For pools used only on weekends, lower the thermostat setting by 10° F to 15° F (5° C to 8° C) during the week to reduce heat loss. A properly sized heater will restore normal temperature within one day.
5. Turn the heater off when the pool will not be used for an extended period.
6. Follow a regular program of preventive maintenance for the heater each new swimming season. Check operation of the heater and its controls.

CHEMICAL BALANCE

POOL AND SPA WATER

Your Pentair pool heater was designed specifically for your spa or pool and will give you many years of trouble-free service, provided you keep your water chemistry in proper condition.

Water chemistry should follow good swimming pool water chemistry practices. When using a chlorinator, install it down stream from the heater and at a lower level than the heater outlet. Install a corrosion resistant positive seal “Check Valve”, (P/N R172288), between the heater and the chlorinator to prevent concentrated chemicals from back-siphoning into the heater. Back-siphoning is most likely to occur when the pump stops, creating a pressure-suction differential. Do NOT sanitize the pool by putting chlorine tablets or sticks into the skimmer(s). When the pump is off, this will cause a high concentration of chlorine to enter the heater, which could cause corrosion damage to the heat exchanger.

Three major items that can cause problems with your pool heater are: improper pH, disinfectant residual, and total alkalinity. These items, if not kept properly balanced, can shorten the life of the heater and cause permanent damage.

⚠ CAUTION

Heat exchanger damage resulting from chemical imbalance is not covered by the warranty.

WHAT A DISINFECTANT DOES

Two pool guests you do not want are algae and bacteria. To get rid of them and make pool water sanitary for swimming - as well as to improve the water's taste, odor and clarity - some sort of disinfectant must be used.

Chlorine and bromine are universally approved by health authorities and are accepted disinfecting agents for bacteria control.

WHAT IS A DISINFECTANT RESIDUAL?

When you add chlorine or bromine to the pool water, a portion of the disinfectant will be consumed in the process of destroying bacteria, algae and other oxidizable materials. The disinfectant remaining is called chlorine residual or bromine residual. You can determine the disinfectant residual of your pool water with a reliable test kit, available from your local pool supply store.

You must maintain a disinfectant residual level adequate enough to assure a continuous kill of bacteria or virus introduced into pool water by swimmers, through the air, from dust, rain or other sources.

CHEMICAL BALANCE, (cont'd.)

It is wise to test pool water regularly. Never allow chlorine residual to drop below 0.6 ppm (parts per million). The minimum level for effective chlorine or bromine residual is 1.4 ppm.

pH - The term pH refers to the acid/alkaline balance of water expressed on a numerical scale from 0 to 14. A test kit for measuring pH balance of your pool water is available from your local pool supply store; see [Table 12](#).

Muriatic Acid has a pH of about 0. Pure water is 7 (neutral). Weak Lye solution have a pH of 13-14.

RULE: 7.4 to 7.6 is a desirable pH range. It is essential to maintain correct pH, see [Table 12](#).

If pH becomes too high (over alkaline), it has these effects:

1. Greatly lowers the ability of chlorine to destroy bacteria and algae.
2. Water becomes cloudy.
3. There is more danger of scale formation on the plaster or in the heat exchanger tubing.
4. Filter elements may become blocked.

If pH is too low (over acid) the following conditions may occur:

1. Excessive eye burn or skin irritation.
2. Etching of the plaster.
3. Corrosion of metal fixtures in the filtration and recirculation system, which may create brown, blue, green, or sometimes almost black stains on the plaster.
4. Corrosion of copper tubes in the heater, which may cause leaks.
5. If you have a sand and gravel filter, the alum used as a filter aid may dissolve and pass through the filter.

CAUTION: Do not test for pH when the chlorine residual is 3.0 ppm or higher, or bromine residual is 6.0 ppm or higher. See your local pool supply store for help in properly balancing your water chemistry.

RULE: Chemicals that are acid lower pH. Chemicals that are alkaline raise pH.

ALKALINITY High or Low:

"Total alkalinity" is a measurement of the total amount of alkaline chemicals in the water, and control pH to a great degree. (It is not the same as pH which refers merely to the relative alkalinity/acidity balance.) Your pool water's total alkalinity should be 100 - 140 ppm to permit easier pH control.

A total alkalinity test is simple to perform with a reliable test kit. You will need to test about once a week and make proper adjustments until alkalinity is in the proper range. Then, test only once every month or so to be sure it is being maintained. See your local pool dealer for help in properly balancing the water chemistry.

WATER CHEMISTRY PARAMETERS

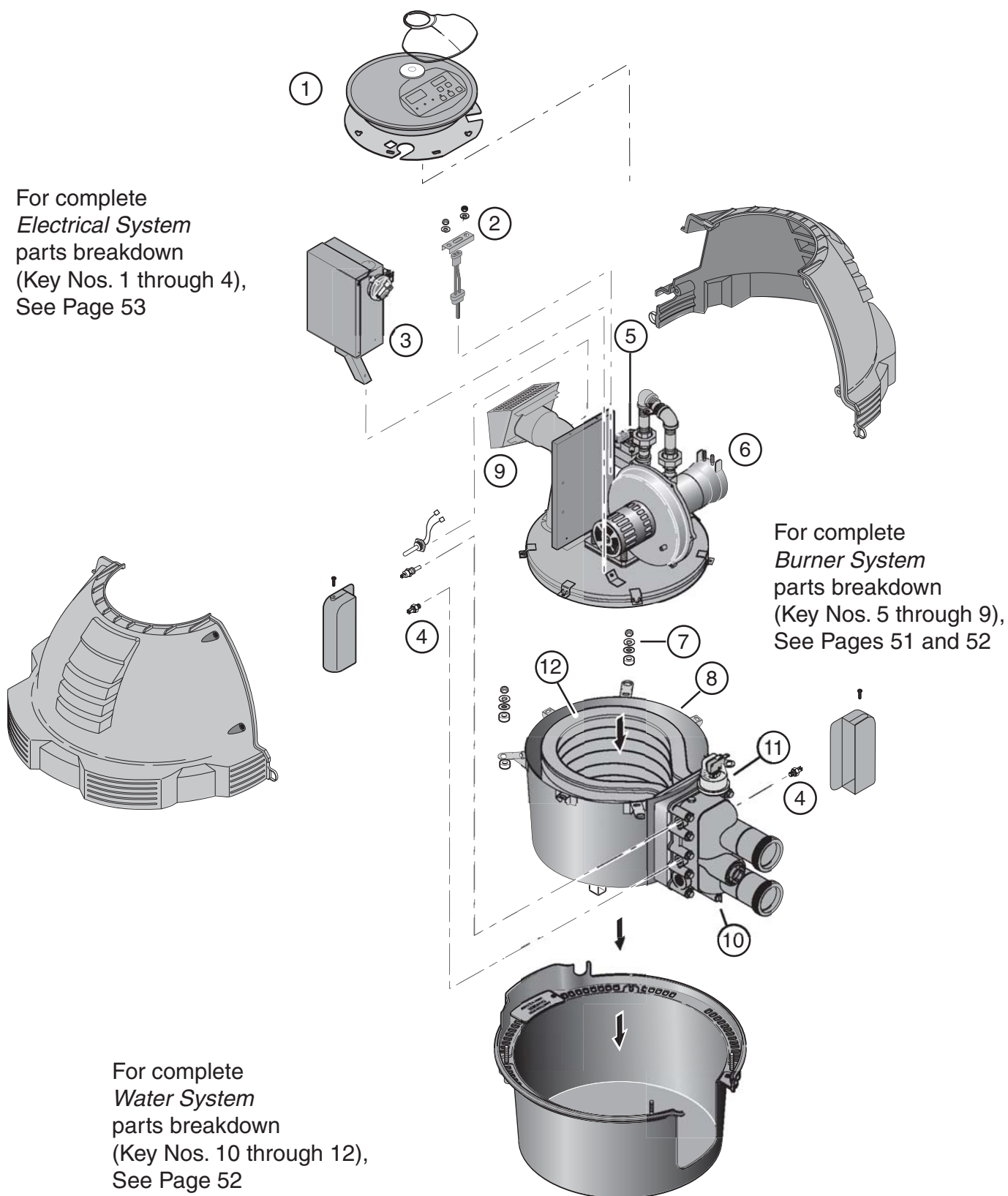
Table 12.

| Disinfectant levels | Minimum | Ideal | Maximum |
|--|---|---------|-----------------------------|
| Free Chlorine, ppm | 1.0 | 2.0-4.0 | 5.0 |
| Combined Chlorine, ppm | None | None | 0.2 |
| Bromine, ppm | 2.0 | 4-6 | 10.0 |
| Other Sanitizers | Levels not established. Consult local health department before use. | | |
| Chemical Values | | | |
| pH | 7.2 | 7.4-7.6 | 7.8 |
| Total Alkalinity (Buffering), ppm as CaCO ₃ | 60 | 80-100 | 180 |
| Total Dissolved Solids, ppm | N/A | N/A | 1,500 ppm > TDS at startup* |
| Calcium Hardness, ppm, as CaCO ₃ | 150 | 200-400 | 500-1,000 |
| Heavy Metals | None | None | None |
| Biological Values | | | |
| Algae | None | None | None |
| Bacteria | None | None | Refer to Local Code |

NOTICE: Failure to adhere to the listed water chemistry parameters may result in premature failure of the heat exchanger and will void the warranty.

*Start-up TDS includes source water TDS and any other inorganic salt added at start-up.

MAX-E-THERM® REPLACEMENT PARTS

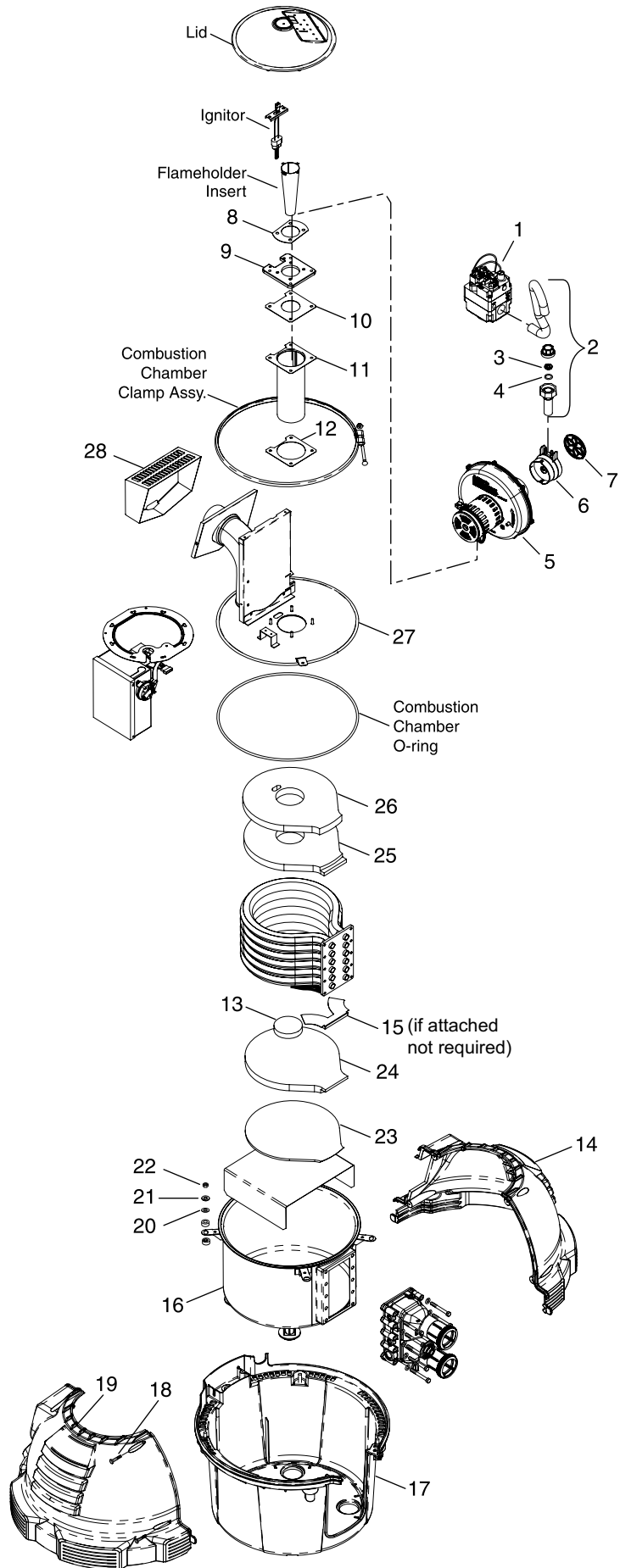
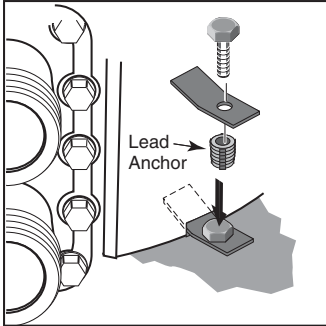


Repair Parts are available from your Pentair dealer.

If your dealer cannot supply you, call Customer Support at 1-800-831-7133.

MAX-E-THERM® REPLACEMENT PARTS

For Heater mounting bolts and clamps, purchase separately **Bolt Down Bracket Kit, Part No. 42001-0085S.**



MAX-E-THERM® REPLACEMENT PARTS

REPAIR PARTS – BURNER SYSTEM

| Key No. | Part Description | Qty. | Model | | |
|---------|--|------|-------------------------------|-------------------------------|---|
| | | | SR200NA SR200LP SR200HD | SR333NA SR333LP SR333HD | SR400NA SR400LP SR400HD 460763 - NA 460764 - LP |
| 1 | Combination Gas Control Valve Kit | 1 | 42001-0051S | 42001-0051S | 42001-0051S |
| 2 | 3/4" Union | 2 | 38404-4097S | 38404-4097S | 38404-4097S |
| 3 | Gas Orifice | 1 | | | |
| 4 | Gas Orifice O-Ring | 1 | | | |
| • | Gas Orifice Kit – NG (Incl. Key Nos. 3 and 4)† | | 77707-0431 | 77707-0421 | 77707-0411 |
| • | Gas Orifice Kit – Propane (Incl. Key Nos. 3 and 4)† | | 77707-0461 | 77707-0451 | 77707-0441 |
| • | NG to Propane Conversion Kit (Incl. Key Nos. 3 and 4)† | | 77707-1461 | 77707-1451 | 77707-1441 |
| • | Propane to NG Conversion Kit (Incl. Key Nos. 3 and 4)† | | 77707-1431 | 77707-1421 | 77707-1411 |
| 5 | Air Blower Kit | | | | |
| | Natural Gas Units | 1 | 77707-0251 | 77707-0252 | 77707-0253 |
| | Propane Units | 1 | 77707-0254 | 77707-0255 | 77707-0256 |
| • | Air Orifice Kit (Includes Key Nos. 6 and 7) | 1 | 77707-0111 | 77707-0112 | 77707-0113 |
| 6 | Air Orifice | 1 | | | |
| 7 | Air Orifice Grill | 1 | 42001-0114S | 42001-0114S | 42001-0114S |
| • | Blower/Adapter Plate Gasket Kit (Includes Key Nos. 8, 9, 10, 12) | 1 | 77707-0011 | 77707-0011 | 77707-0011 |
| • | Flameholder Kit (Includes Key Nos. 10, 11, 12, 13 and on 333 & 400 models only - Flameholder Insert) | | 77707-0202 | 77707-0203 | 77707-0204 |
| 8 | Blower/Adapter Plate Gasket | 1 | | | |
| 9 | Blower Adapter Plate | 1 | | | |
| 10 | Flameholder/Adapter Plate Gasket | 1 | | | |
| 11 | Flameholder Assembly | 1 | | | |
| 12 | Flameholder/Combustion Chamber Gasket * | 1 | | | |
| 13 | Flameholder Insulation Cap | 1 | | | |
| • | Flameholder Insert | 1 | | | |
| 14 | Enclosure Kit, Upper Right-Hand | 1 | 77707-0002 | 77707-0002 | 77707-0002 |
| 15 | Condensate Evaporator Plate | 1 | | | |
| 16 | One Piece Metal Chamber/Combustion Chamber Assembly | 1 | 42001-0200S 474095♦ | 42001-0200S 474095♦ | 42001-0200S 474095♦ |
| 17 | Lower Enclosure | 1 | 42001-0001S | 42001-0001S | 42001-0001S |
| 18 | Upper Enclosure Fastener: #12-11x2-1/2" Type AB, Hex Washer Head S.S. Sheet Metal Screw | 4 | | | |
| 19 | Enclosure Kit, Upper Left-Hand – Natural Gas | 1 | 77707-3200N | 77707-3333N | 77707-3400N |
| 19 | Enclosure Kit, Upper Left-Hand – LP Gas | 1 | 77707-3200L | 77707-3333L | 77707-3400L |
| 20 | 3/8" Washer, S.S. | 4 | | | |
| 21 | 3/8" Lock Washer, S.S. | 4 | | | |
| 22 | 3/8" Hex Nut, Brass | 4 | | | |
| • | Insulation Kit (Includes Key Nos. 13, 15, 23, 24, 25 and 26) | 1 | 77707-0008 | 77707-0008 | 77707-0008 |
| 23 | Bottom Outer Insulation Blanket * | 1 | | | |
| 24 | 1" Bottom Inner Insulation | 1 | | | |
| 25 | 1" Top Insulation | 1 | | | |
| 26 | Top Outer Insulation Blanket * | 1 | | | |
| • | Lower Enclosure Insulation | 1 | 42001-0074S | 42001-0074S | 42001-0074S |
| 27 | One Piece Metal Elbow/Combustion Chamber Cover Assembly | 1 | 42001-0214S 474095♦ | 42001-0214S 474095♦ | 42001-0214S 474095♦ |
| 28 | Metal Vent Cover | 1 | 42002-0005S | 42002-0005S | 42002-0005S |

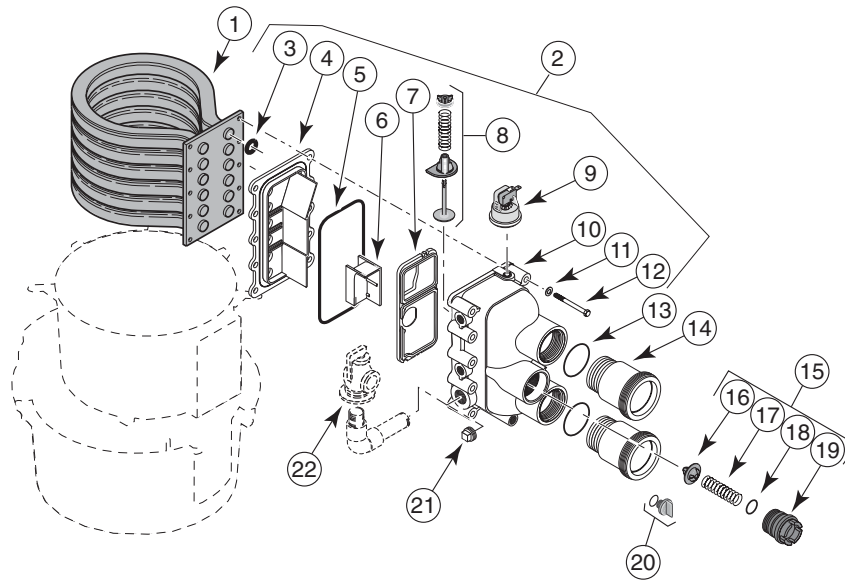
* Not available separately.

† Not included with heater. Order separately.

♦ For heaters manufactured after 1-12-2009 (new tub design)

Note: Kits also include Clamp Assembly, O-Ring and Silicon Tube.

MAX-E-THERM® REPLACEMENT PARTS

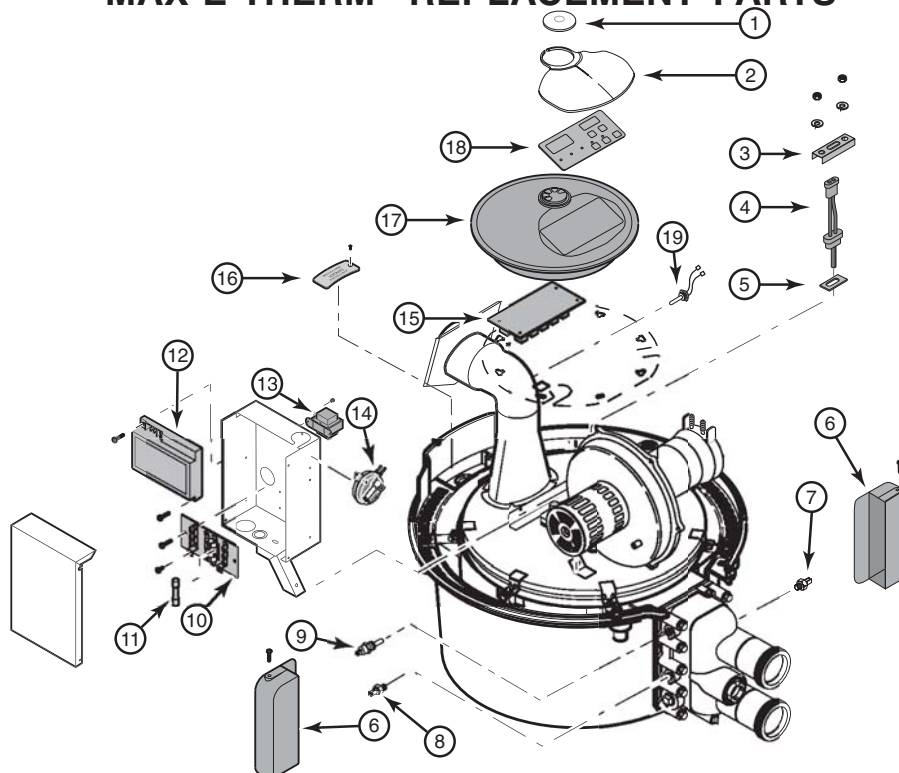


REPAIR PARTS – WATER SYSTEM

| Key No. | Part Description | Qty. | Model | | | |
|---------|--|------|-------------------------------|-------------------------------|-------------------------------|--|
| | | | SR200NA SR200LP SR200HD | SR333NA SR333LP SR333HD | SR400NA SR400LP SR400HD | (ASME) 460763 - NA400 460764 - LP400 460767 - NA250 460768 - LP250 |
| 1 | Tube Sheet Coil Assembly Kit (NA, LP Series) (Includes Key No.3) | 1 | 77707-0232 474058* | 77707-0233 474060* | 77707-0234 474061* | - - |
| 1 | Tube Sheet Coil Assembly Kit (NA - HD Series) (Includes Key No.3)(ASME Certified Bronze Header includes Key No. 3-12,15,20-22) | 1 | 77707-0242 474062* | 77707-0243 474064* | 77707-0244 474065* | - - |
| 1 | Tube Pressure Vessel Kit (ASME Series) | 1 | | | | 460940*474096* 460941□474097* 474200 |
| • | Basic Manifold Kit (includes Key No. 3,5,10-14) | | 474200 | 474200 | 474200 | 474200 |
| 2 | Manifold Kit (Includes Key Nos. 3-12, 15-22 Key Nos. 7-9 in "Electrical System", Page 53 | 1 | 77707-0014 | 77707-0015 | 77707-0016 | |
| 3 | Coil/Tubesheet Sealing O-Ring Kit | () | 77707-0117(6) | 77707-0118(10) | 77707-0119(12) | |
| 4 | Manifold Bottom Plate | 1 | | | | |
| 5 | Manifold O-Ring | 1 | | | | |
| • | O-Ring Kit (Incl. Key Nos. 3, 5) | 1 | 77707-0120 | 77707-0120 | 77707-0120 | |
| 6 | Manifold Insert* | 1 | | | | |
| 7 | Manifold Baffle Plate | 1 | | | | |
| 8 | Manifold Bypass Valve | 1 | | | | |
| 8 | Manifold Bypass Valve Kit (Includes Install Tool) | 1 | | | | 460923 |
| 9 | Water Pressure Switch | 1 | 42001-0060S | 42001-0060S | 42001-0060S | 473716Z |
| • | Bypass Access Plug | 1 | | | | 472648Z |
| 10 | Manifold | 1 | | | | |
| 11 | 5/16" Washer, S.S. | 10 | | | | |
| 12 | 5/16x18x2-3/4" Hex Cap screw | 10 | | | | |
| 13 | Connector Tube O-Ring | 2 | | | | |
| 14 | Connector Tube Kit (Includes 1 Connector Tube and 1 O-Ring) | 2 | 77707-0017 | 77707-0017 | 77707-0017 | |
| 15 | Thermal Regulator Kit (Incl. Key Nos. 16, 17, 18, 19 and Spring Clip) | 1 | 77707-0010 | 77707-0010 | 77707-0010 | |
| 15 | Thermal Regulator Kit (Includes Spring Clip and Install Tools) | 1 | | | | 460924 |
| 16 | Thermal Regulator (Includes Spring Clip) | 1 | 38000-0007S | 38000-0007S | 38000-0007S | 38000-0007S |
| 17 | Thermal Regulator Spring | 1 | | | | |
| 18 | Thermal Regulator Cap O-Ring | 1 | 35505-1313 | 35505-1313 | 35505-1313 | |
| • | Thermal Regulator Spring Clip | 1 | | | | |
| 19 | Thermal Regulator Cap | 1 | | | | |
| 20 | Drain Plug | 1 | U178-920P | U178-920P | U178-920P | |
| 21 | 3/4" Pipe Plug | 1 | U78-60ZPS | U78-60ZPS | U78-60ZPS | |
| 22 | Pressure Relief Valve (Recommended - Purchase Separately) | 1 | 473715Z | 473715Z | 473715Z | 473715Z |

* Not available separately.
 • Not illustrated.
 ♦ For heaters manufactured after 1-12-2009 (new tub design)
 Note: Kits also include Clamp Assembly, O-Ring and Silicon Tube.

MAX-E-THERM® REPLACEMENT PARTS



REPAIR PARTS – ELECTRICAL SYSTEM

| Key No. | Part Description | Qty. | Model | | |
|---------|--|------|-------------------------------|-------------------------------|---|
| | | | SR200NA SR200LP SR200HD | SR333NA SR333LP SR333HD | SR400NA SR400LP SR400HD 460763 - NA 460764 - LP |
| 1 | Display Cover Retainer Cap Kit, Cap and CPSC Warning Label | 1 | 77707-0009 | 77707-0009 | 77707-0009 |
| 2 | Heater Display Cover | 1 | 42001-0008S | 42001-0008S | 42001-0008S |
| 3 | Igniter Bracket | 1 | 42001-0030S | 42001-0030S | 42001-0030S |
| 4 | Igniter/Igniter Gasket Kit (Incl. Key Nos. 4 and 5) | 1 | 77707-0054 | 77707-0054 | 77707-0054 |
| 5 | Igniter Gasket | 1 | 42001-0066S | 42001-0066S | 42001-0066S |
| 6 | Manifold Switch Cover | 2 | 42001-0007S | 42001-0007S | 42001-0007S |
| 7 | Automatic Gas Shutoff Switch (AGS) | 1 | 42002-0025S | 42002-0025S | 42002-0025S |
| 8 | High Limit Switch | 1 | 42001-0063S | 42001-0063S | 42001-0063S |
| 9 | Thermistor | 1 | 42001-0053S | 42001-0053S | 42001-0053S |
| 10 | Terminal Board | 1 | 42001-0056S | 42001-0056S | 42001-0056S |
| 11 | Fireman's Switch Fuse (1.25A, 1-1/4") | 1 | 32850-0099 | 32850-0099 | 32850-0099 |
| 12 | Ignition Control Module | 1 | 42001-0052S | 42001-0052S | 42001-0052S |
| 13 | Transformer, 115/230V | 1 | 42001-0107S | 42001-0107S | 42001-0107S |
| 14 | Air Flow Switch | 1 | 42001-0061S | 42001-0061S | 42001-0061S |
| 15 | Control Board Kit (HD Series) | 1 | 42001-0096S | 42001-0096S | 42001-0096S |
| 15 | Control Board Kit (NA, LP Series) | 1 | 42002-0007S | 42002-0007S | 42002-0007S |
| • | Heater Wiring Harness - 115/230V | 1 | 42001-0104S | 42001-0104S | 42001-0104S |
| • | 120/240 Volt Plug Kit | 1 | 42001-0105S | 42001-0105S | 42001-0105S |
| 16 | Junction Box Cover Kit | 1 | 77707-0022 | 77707-0022 | 77707-0022 |
| • | Control Board Enclosure/Membrane Panel Kit HD Series (Includes Key Nos. 17 and 18)* | 1 | 77707-0004 | 77707-0004 | 77707-0004 |
| • | Control Board Enclosure/Membrane Panel Kit NA, LP Series (Includes Key Nos. 17 and 18)* | 1 | 77707-0013 | 77707-0013 | 77707-0013 |
| 17 | Control Board Enclosure | 1 | | | |
| 18 | Membrane Pad (HD Series) | 1 | | | |
| 18 | Membrane Pad (NA, LP Series) | 1 | | | |
| 19 | Stack Flue Sensor | 1 | 42002-0024S | 42002-0024S | 42002-0024S |

• Not available separately.

* Kit parts not available separately.

NOTES

| |
|--|
| |
| |
| |
| |
| |
| |
| |
| |
| |
| |
| |
| |
| |
| |
| |
| |
| |
| |
| |
| |
| |
| |
| |
| |

NOTES

| |
|--|
| |
| |
| |
| |
| |
| |
| |
| |
| |
| |
| |
| |
| |
| |
| |
| |
| |
| |
| |
| |
| |
| |
| |
| |
| |
| |

SAVE THESE INSTRUCTIONS

© 2012 Pentair Water Pool and Spa, Inc. All rights reserved.

This document is subject to change without notice.

1620 Hawkins Ave., Sanford, NC 27330 • (800) 831-7133 or (919) 566-8000
10951 W. Los Angeles Ave., Moorpark, CA 93021 • (800) 831-7133 or (805) 553-5000
293 Wright Street, Delavan, WI 53115 • (262) 728-5551

STA-RITE®