

Owners Manual

Prolux Stealth Owners Manual



Prolux

We Know Vacuums!

Index

1 Safety notes.....	22
1.1 Re: Operating Manual	22
1.2 Re: The Notices Given	22
1.3 Re: Children.....	22
1.4 Re: Appropriate Use	23
1.5 Re: Mains connection	24
1.6 If the appliance is defective	24
2 Unpacking and assembling	25
2.1 Unpacking.....	25
2.2 Assembly	25
2.3 Using further nozzles (accessories)	26
3 Operation	27
3.1 Vacuum cleaning	27
3.2 Setting the suction power	28
3.3 Switching off and retracting power cord	29
3.4 Transport and storage	29
4 Maintenance	30
4.1 Changing the dust filter bag.....	30
4.2 Changing filters.....	31
4.3 Changing the hygienic exhaust filter.....	31
4.4 Changing the motor protection filter	32
4.5 Cleaning the housing.....	32
5 Troubleshooting.....	33
6 Spare parts and disposal	34
6.1 List of consumable parts.....	34
6.2 Sources	34
6.3 Disposal.....	34
7 Warranty	35
7.1 Conditions of warranty.....	35
7.2 In case of a warranty claim.....	35

Congratulations on the purchase of your new Prolux Stealth Vacuum Cleaner!

The Prolux Stealth is attractive, powerful and quiet.

Powerful deep cleaner – 12 amps of power produces an amazing 107 CFM of air.

Energy Efficient – Uses as little as 400 watts. For full-power deep cleaning may be turned up to 1200 watts.

Quiet - Possibly the world's quietest vacuum. As little as 67 db of sound is produced on low power mode.

Dependable – Built from high grade plastic, steel and sealed bearings, this vacuum is designed to last for years. It also comes with 2 Year Factory Warranty.

HEPA Filtration – With allergen bags and HEPA filtration, this vacuum is designed to keep all the dirt and dust inside the sealed bag leaving your air clean and fresh.

LED Indicators – LED indicators tell you what power mode it is on and when the bag needs changing.

Tools – Easy to use, on board tools for nearly every job.

1 Safety notes

1.1 Re: Operating Manual



Read this operating manual carefully before using the appliance. Keep the operating manual for reference. Include the operating manual if you pass the appliance to third parties. **Violations of the operating instructions can lead to severe injuries as well as damages to the appliance.** Prolux takes no responsibility for damages due to violations of these operating instructions.

1.2 Re: The Notices Given



Notices for your safety are especially marked. Always observe these notices to avoid accidents and damages to the appliance.

1.3 Re: Children



Never leave the appliance unattended and use it with special precaution if children or persons who cannot judge dangers are nearby. People (including children) who are unable to safely operate the appliance on account of their physical, sensory or mental abilities or their lack of experience or knowledge should only use this appliance under surveillance or instruction of a responsible person. Keep the appliance out of reach of people of these groups. Packing-materials are not toys. There is danger of suffocation.



WARNING:

Warning concerning health hazards describing possible risks of injury.

ATTENTION:

Warning concerning possible dangers to the appliance or other objects.

NOTE:

Highlights tips and information for you.

1 Safety notes

1.4 Re: Appropriate Use



Use the cylinder vacuum cleaner only for cleaning normally soiled floors, rugs and curtains. The appliance is intended for home use only. Any other use is considered inappropriate and is prohibited.

It is especially forbidden:

To vacuum-clean:

- Hair, fingers and other parts of the body. They could be sucked in and injured.
- Pieces of clothing (e. g. shoe laces, scarves, etc.). They could be sucked in and cause injuries.
- Water and other liquids, especially moisture from carpet-cleaning agents. Moisture inside the appliance can lead to short-circuiting.
- Toner dust (for laser printers, copying-machines, etc.) There is danger of fire or explosion.
- Hot ash, burning cigarettes or matches. This could cause a fire.
- Pointed objects such as glass shards, nails, etc. Such objects destroy the filters.
- Plaster, cement, fine drilling-dust, makeup, etc. The filters may clog, causing damage to the appliance.
- The use of the appliance near inflammable or explosive materials. There is danger of fire or explosion.
- Outdoor use. There is danger of rain and dirt destroying the appliance.
- Sticking objects into the appliance's openings. It could overheat.

1 Safety notes (cont.)

1.5 Re: Mains connection



The appliance runs on electricity, which means there is always danger of electric shock. So please especially observe the following:

- Never touch the plug with wet hands.
- Always pull directly at the plug if you want to disconnect the appliance from the mains. Never pull the mains lead as it might break.
- Take care that the power cord is not bent, pinched, rolled over or comes in contact with heat sources.
- Use only extension cords suited to the power requirements of the appliance.
- Never immerse the appliance in water or other liquids.
- Only operate the appliance if your mains voltage is the same as that indicated on the appliance's name plate. Wrong voltage can destroy the appliance.
- If the power cord of this appliance is damaged it must be replaced by authorized service representative or a similarly qualified person to avoid danger to the user.

1.6 If the appliance is defective



Never use a defective appliance or operate an appliance with a defective power cord. There is a major risk of injury.

Refer a defective appliance to an authorized dealer or the Royal Appliance service for repair. Address: Page 35, "Warranty."

2 Unpacking and assembling

2.1 Unpacking 1. Unpack the appliance and all its accessories.

2. Check that the contents are complete. Information regarding scope of delivery ⇨⇨⇨ 20, "Overview of your M7000."



ATTENTION:

Always transport or ship the appliance in its original packaging to avoid damage. Keep the packaging for such an event.

Dispose of no longer needed packaging material according to the applicable regulations of your country.

NOTE:

Immediately contact your dealer if you have found damage resulting from transportation.

2.2 Assembly

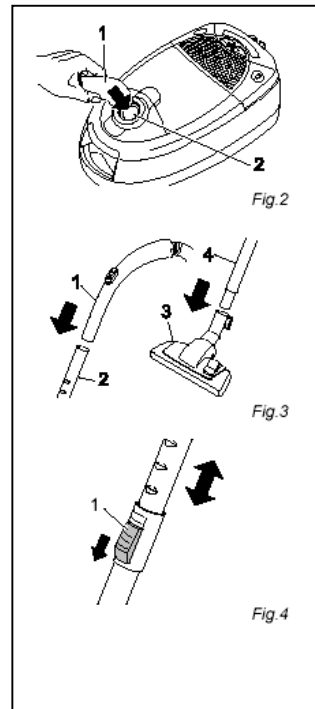
1. Insert the end of the suction hose (Fig. 2/1) in the intake opening (Fig. 2/2), then into the intake opening of the vacuum cleaner, until it locks with an audible click.

2. Insert the handle (Fig. 3/1) into the upper end of the telescopic tube (Fig. 3/2).

3. Attach the floor nozzle (Fig. 3/3) to the bottom end of the telescopic tube (Fig. 3/4).

4. If you are vacuuming carpet instead of the floor nozzle, you will want to attach the electric power nozzle to the wand by snapping it into place.

5. Adjust the length of the telescopic tube. Press the release latch on the tube down (Fig. 4/1). Then pull the handle of the telescopic tube to extend it to your desired length (Fig. 3/1). Let go of the release catch while pulling until it locks in place. You will hear a distinct click.



Your vacuum cleaner is now ready for use.



WARNING:

Only assemble the appliance if it is not connected to the electrical outlet. The appliance could be switched on by accident.

NOTE:

It might be necessary to push a bit harder as needed.

2 Unpacking and assembling

2.3 Using further nozzles (accessories)

Besides the floor nozzle you just attached, you may extend the functions of your vacuum cleaner with other attachments.

The **Combi duster/upholstery brush** and **crevice nozzle** are included in the package as accessories. You can store them in the accessory compartment when not in use (Fig. 5).

- **Combi duster/upholstery brush (Fig. 6/1)**

Use this to remove dust from objects with delicate surfaces or to clean upholstery.

- **Crevice nozzle (Fig. 6/2)**

Use this to suck dust out of hard to reach places.

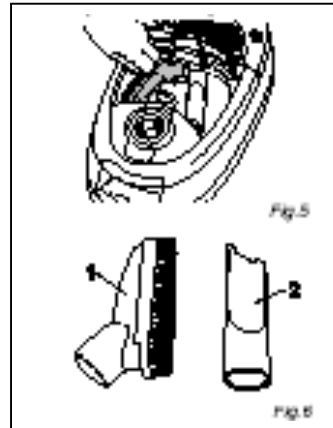
- **Combi Floor tool brush (Fig. 7)**

This is the floor tool to clean surfaces like hardwood, Pergo, tile, and other hard floor surfaces. May also be used to vacuum throw rugs.

- **Electric Power Nozzle (Fig. 8)**

This attaches to the main wand and has a powerful spinning brush roll. Use this for powerful deep cleaning on all types of carpet. It's equipped with a geared belt that never wears out. Use this attachment for best cleaning on carpet.

NOTE:



The high speed of the rotating brush causes a loud noise during operation.



WARNING:

Only attach nozzles when the vacuum cleaner is not connected to the electrical outlet. The appliance could be switched on by accident.

This is how you attach the electric power nozzle:

1. Switch off the vacuum cleaner and pull the plug from the mains socket.
2. Pull the attached nozzle off of the telescopic tube.
3. Attach the required nozzle to the bottom end of the telescopic tube (Fig. 9/1) or if necessary directly to the handle.
4. If possible, store Combi floor tool no longer in use on the accessory bracket on the back of the canister.



ATTENTION:

Using the vacuum cleaner without a nozzle attached increases the danger of accidentally sucking in objects.

3 Operation

3.1 Vacuum cleaning

1. Attach the desired nozzle or pull out the *Chapter 2.2, "Assembly"* power *Chapter 2.3, "Using further nozzles (accessories)."*
2. Pull the cord until the yellow marking is visible (Fig. 10/1).
3. Switch on the vacuum cleaner with the on/off switch (Fig. 11/1).

WARNING:

Check the vacuum cleaner and the power cord each time before using it. A damaged appliance must not be used. There is danger of injury.

ATTENTION:

Only use the vacuum cleaner with all filters intact, in dry conditions, and correctly placed. Make sure that the openings of the vacuum cleaner are not clogged or obstructed. Otherwise the vacuum cleaner might be damaged.

NOTE:

Your vacuum cleaner is equipped with a safety switch to prevent overheating. It automatically cuts off the power supply if the motor is overheated. In this case switch off the vacuum cleaner and disconnect it from the electrical outlet. Remove the cause of the overheating. Wait for about 45 minutes. After it has cooled off, you may use the vacuum cleaner again.

WARNING:

If the red marking displays (Fig. 10/2), retract the cord by pressing the retract button to pull in the cable (Fig. 11/2) up to the yellow mark again. Otherwise the cord might break. There is danger of an electric shock.

4. Set the nozzle switch to "carpet" or "hard floor" according to the floor (Fig. 12) to be cleaned:

- **Hard floor (Fig. 12/A)**

Laminate, tiles, PVC, etc.

- **Carpet (Fig. 12/B)**

Short- and deep-pile carpets, rugs, etc.

5. When working with the vacuum cleaner, pull it after you like a sleigh. Follow the respective recommendations of the flooring manufacturers.

You can adjust the suction power to suit the type of floor being cleaned. Use the symbols on the suction power display as a guideline (Fig. 14/1):



Curtains, textiles (lowest setting)



Upholstery, cushions

■ High-class carpets, rugs and runners

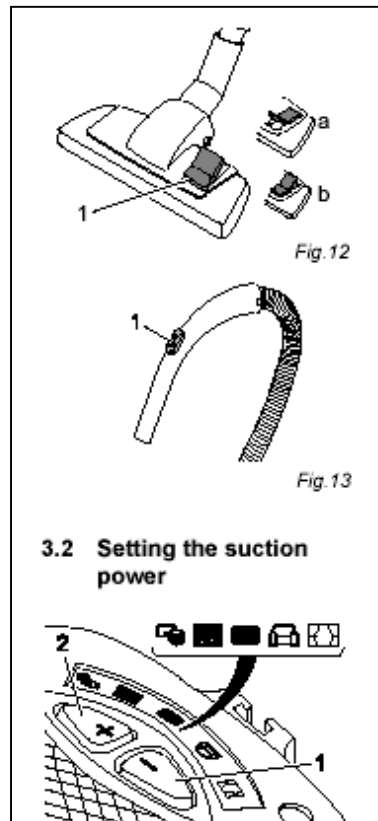
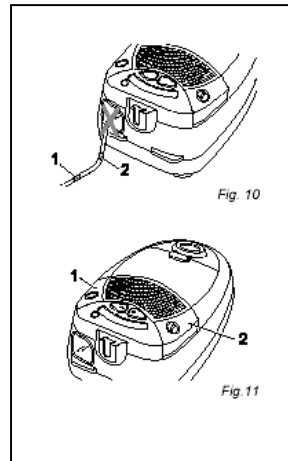


■ Slightly soiled carpets and hard floors



■ Heavily soiled carpets and hard floors with coarse dirt (highest setting)

1. To set the desired power setting, press the **+** button or the **-** button several times until the desired setting lights up on the suction power display. The **+** button (Fig. 14/2)



3.2 Setting the suction power

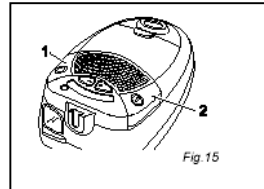
increases suction power. The - button (Fig. 14/3) reduces suction power

NOTE:

With the bypass vent (Fig. 13/1) you can quickly reduce the suction power if less power is needed, or to release objects accidentally sucked in.

3.3 Switching off and retracting power cord

1. Switch off the vacuum cleaner with the on/off switch (Fig. 15/1) and pull the plug from the mains socket.
2. Keep the plug in your hand.
3. To retract the power cord, push the cord retracting button (Fig. 15/2).



⚠ WARNING:

During retraction the power cord can whip around, become an obstacle, or overthrow objects.

3.4 Transport and storage

To **transport** the vacuum cleaner you can carry it by the handle (Fig. 1/21).

To **store it** or when interrupting your work, you can hook the park/storage hook (Fig. 16/1) into the parking bracket (Fig. 16/2).

To **store the vacuum** cleaner you can hook the park/storage hook (Fig. 17/1) into the storage bracket (Fig. 17/2) on the bottom of the appliance.

If you want to store the appliance for a prolonged period, remove the dust filter bag and dispose of it properly. Also clean the filters.

Always store the appliance in a cool, dry place.

NOTE:

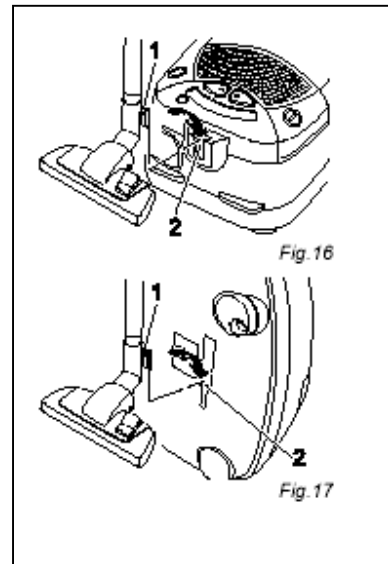
The electric power nozzle will not store on the canister but does store in upright position.

⚠ WARNING:

When leaving your working area, switch off the appliance and mind the notices at *Chapter 3.3, "Switching off and retracting power cord."*

⚠ ATTENTION:

Never store the appliance next to heat sources (e.g. stoves or radiators). Avoid exposing it to direct sunlight. The heat might damage the appliance.

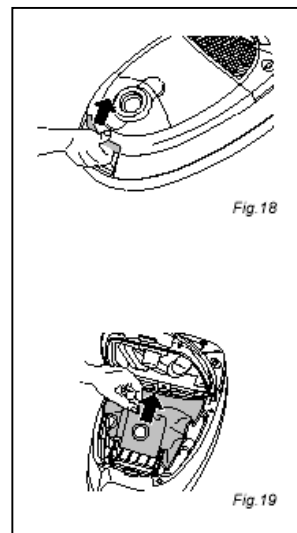


4 Maintenance

4.1 Changing the dust filter bag

Change the dust filter bag at the latest when the electronic dust filter bag change indicator (Fig. 1/14) shows "red" or the suction power has decreased.

1. Open the dust compartment cover by unlatching and subsequently raising it (Fig. 18).
2. Raise the dust compartment cover until it locks in the highest position and remains open by itself.
3. Pull the dust filter bag up and out of the dust filter holder (Fig. 19).
4. Remove any dust that may have collected in the dust compartment.
5. Push the new dust filter bag in the filter bag holder.
6. Close the dust compartment cover. It audibly clicks into place.



⚠ ATTENTION:

When leaving your working area, switch off the appliance and mind the notices at *Chapter 3.3, "Switching off and*

retracting power cord." In this way you avoid dust destroying the appliance.

NOTE:

Be careful when removing the dust filter bag so that no dust escapes.

NOTE:

You can dispose of the dust filter bag with your regular domestic trash if it contains no prohibited waste materials.

NOTE:

The dust compartment cover can only be closed with a dust filter bag in place.

4.2 Changing filters

Your vacuum cleaner is equipped with the following filters:

Motor protection filter (Fig. 20/1) prevents larger particles from destroying the motor in case the dust filter bag is defective.

Change it every time you open a new box of dust filter bags, as they always contain a new motor protection filter, or at least every 6 months.

HEPA exhaust filter (Fig. 20/2) removes microscopic particles from the exhaust air stream.

Change it every 6 months to one year or a reduction of power may occur. Filter may be cleaned by hand but not water.

The filters can become clogged with time and reduce the appliance's performance. That's why it is important to adhere to the above changing intervals.

Damaged filters must be removed immediately.

⚠ATTENTION:

These filters are not washable. The exhaust filter may not be re-used.

NOTE:

If the motor protection filter is only slightly dirty, it can help to beat out the dust over a dust bin. However, we recommend to change the motor protection filter each time you open a new box of dust filter bags Chapter 6, "Spare parts and disposal."

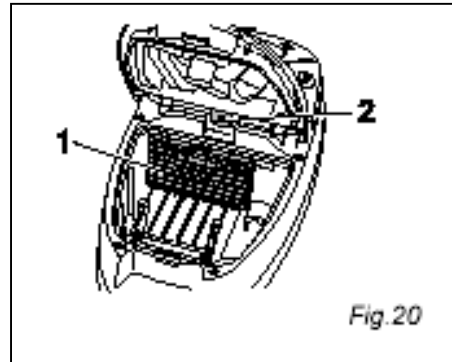


Fig.20

4.3 Changing the HEPA exhaust filter

1. Switch off the vacuum cleaner and remove the dust filter bag as described in Chapter 4.1, "Changing the dust filter bag," steps 1 thru 4.

2. Remove the exhaust filter (Fig. 21/1).

Unlatch the lock and slightly lift the filter. Now you can pull out the filter towards the front.

3. Insert a new exhaust filter (↔↗↘▲↖↙△ 6, "Spare parts and disposal") and push it down slightly until it locks into the holder.

4. Replace the dust filter bag and close the dust compartment cover. The cover clicks audibly into place.

NOTE:

Make sure that that the exhaust filter is always properly locked into position, otherwise the exhaust air will not be properly filtered.

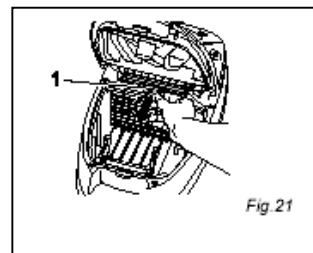
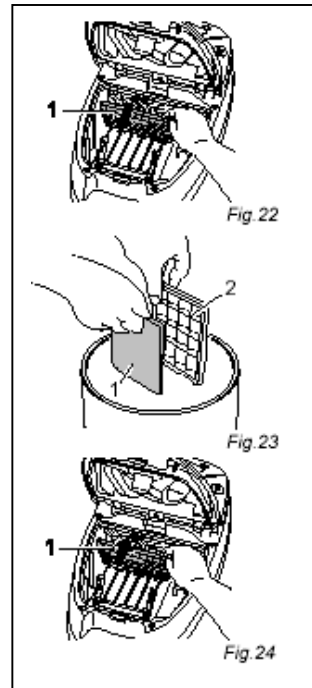


Fig 21

4.4 Changing the motor protection filter

1. Switch off the vacuum cleaner and remove the dust filter bag as described in *Chapter 4.1, "Changing the dust filter bag"*, steps 1 thru 4.
2. Remove the filter holder with motor protection filter (Fig. 22/1). You first flip the filter holder forwards and then pull the filter up and out.
3. Remove the motor protection filter (Fig. 23/1) from the filter holder (Fig. 23/2) over a dustbin.
4. Clean the filter holder.
5. If the new motor protection filter is too large, lay the old filter onto the new filter mat. Mark the contours and cut the new filter down to size with a pair of scissors.
6. Insert the new motor protection filter into the filter holder.
7. Insert the filter holder with the new filter into its bracket from above and push it down until it audibly locks into place.
8. Replace the dust filter bag and close the dust compartment cover. The cover clicks into place audibly.



4.5 Cleaning the housing

Clean the outside of the housing using a slightly damp cloth only.



Always switch off the appliance and disconnect it from the electrical outlet before cleaning it *Chapter 3.3, "Switching off and retracting power cord."*



Do not use cleaning or scouring agents or alcohol, as these might damage the appliance.

5 Troubleshooting

Before sending the appliance to the Prolux authorized service center, check if you might be able to correct the malfunction yourself following the list below:



Never use a defective appliance. Always switch off the appliance and disconnect it from the mains before starting troubleshooting *Chapter 3.3, "Switching off and retracting power cord."*

Canister-

Fault	Possible cause	Solution
The appliance doesn't run.	The plug is not connected to the mains or the appliance is not switched on.	Insert the plug into a mains socket and switch on the appliance ▷ <i>Chapter 3.1, "Vacuum cleaning"</i> .
	Socket does not carry current.	Test the vacuum cleaner on another socket that you are sure is carrying current.
	The power cord is damaged.	Have the cord replaced by the Royal [®] Appliance Customer Service, address ▷ <i>Page 35, "Warranty"</i> .
The cleaning result is unsatisfactory.	The dust filter bag is full or clogged.	Empty/clean the dust filter bag.
	Nozzle, telescopic tube or suction hose are clogged.	Remove the obstacle. If necessary, use a long wooden stick (e.g. a broomstick) to do this.
	The power setting does not fit the flooring.	Set the power to the setting suggested for the flooring, ▷ <i>Chapter 3.1, "Vacuum cleaning"</i> , step 4.
	The "carpet/hard floor" switch (Fig. 1/10) is in the wrong position for the particular type of floor.	Set the "carpet/hard floor" switch to the correct position for the (Fig. 1/10) particular type of floor, ▷ <i>Chapter 3.1, "Vacuum cleaning"</i> , step 5.
	The attached nozzle does not fit the flooring.	Attach the correct nozzle ▷ <i>Chapter 2.3, "Using further nozzles (accessories)"</i> .
	The filter is dirty.	Change/clean the respective filter ▷ <i>Chapter 4.4, "Changing the motor protection filter"</i> or ▷ <i>Chapter 4.3, "Changing the hygienic exhaust filter"</i> .
The appliance makes unusual noises.	Sucked-in objects are obstructing the air stream.	Remove the objects. If necessary, use a long wooden stick (e.g. a broomstick) to do this.

Electric Power Nozzle –

Problem – electric power nozzle does not power up (motor does not turn on in power nozzle)

Solution – Please follow all the steps below and try again

- a. *Unplug cord from power nozzle on hose, count 20 seconds, then plug back in*
- b. *Make sure hose is firmly "snapped" into canister*
- c. *Make sure main electrical wand is firmly "snapped" all the way to the hose.*
- d. *Make sure main electrical wand is firmly "snapped" all the way into the power nozzle*
- e. *For models with reset button, firmly press reset button on electrical power nozzle.*
- f. *On the hose is an on/off switch. Make sure that it is turned to on.*

If you plug the power nozzle directly into the hose and it turns on (but won't turn on with main wand attached,) then you know the main wand is defective or a connection needs adjusting (see last problem below).

Problem – electric power nozzle turns on, but brush roll does not spin.

Solution – Most likely a large object may have been vacuumed up, jammed the brush roll and broke the belt. Remove bottom plate of the power nozzle, check or replace belt, remove obstruction and try again.

Problem – electric power nozzle cuts in and out as you vacuum back and forth.

Solution – There are several connections to get power to the power nozzle, they are: 1) the hose and canister, 2) the hose and main wand and 3) the main wand and power head. Make sure each of these is firmly connected. If you have traced the 'cutting out' problem to one of these areas and they are firmly connected, then when the vacuum is unplugged from the wall, you may take a pair of needle-nose pliers and slightly bend the male terminal out so it has a better connection.

Hose –

Problem – Hose pulls apart. This is usually caused from pulling too hard on the hose during use.

Solution – Only attempt to this fix if you are mechanically skilled. If this is too complex for you, then contact your Prolux authorized service center.

Unplug the vacuum from the electrical outlet. Remove the hose. Remove the screws on the hose end that has come loose. Note the exact order in which everything came apart. Rethread the hose end. Apply some glue (designed for plastic and rubber) to keep it from coming out again. Then put the hose end back together and retest.

Hose –

Problem – tools fall off during use.

Solution – this is typically caused with friction-fit tools that are not properly installed. To properly install the attachments, you will want to firmly shove the tool and hose as far as you can and then firmly twist to the right. Then the attachments will stay securely attached until you untwist them to remove them.

Technical Data

Motor Size's	12 AMPS	Hose Length	5.5 feet
Rated frequency	60Hz 120V	Cord Length	23 feet
Power	70 CFM	Color	Black
Reservoir volume	5.3 Gallons	Noise	≤75dB
Unit Dimensions	19 x 13 x 9 Canister		

Customer Service & Warranty information

Two (2) YEAR LIMITED WARRANTY

Prolux warrants this product free from defects in material and workmanship for a period of two (2) years from the date of the original purchase, when utilized for normal household use, subject to the following conditions, exclusions, and exceptions:

If your appliance fails to operate properly while in use under normal household conditions within the warranty period, please contact your authorized PROLUX dealer you purchased the unit from. You may also contact PROLUX at service@proluxcleaners.com. Non-durable parts including, without limitation, filters, accessories, brushes, belts, and electrical parts, which normally require replacement, are specifically excluded from warranty.

This warranty is limited solely to the cost of the repair or replacement of the unit at Prolux's option. This warranty does not cover normal wear of parts and does not apply to any unit that has been tampered (by unauthorized user) with or used for commercial purposes. This limited warranty does not cover damage caused by shipping damage, misuse, abuse, negligent handling, or damage due to faulty packaging or mishandling in transit.

This warranty is extended to the original purchaser of the unit only and is not transferable. ***IMPORTANT: Before sending unit back for warranty work,**

contact your authorized PROLUX retailer you bought the unit from first. Unauthorized warranty claims may be sent back. Authorized Warranty claims: PROLUX shall be responsible for all parts and labor and the customer shall be responsible for all shipping charges to and from the PROLUX service center.

We are constantly striving to improve our products. Therefore, the specifications contained herein are subject to change without notice.