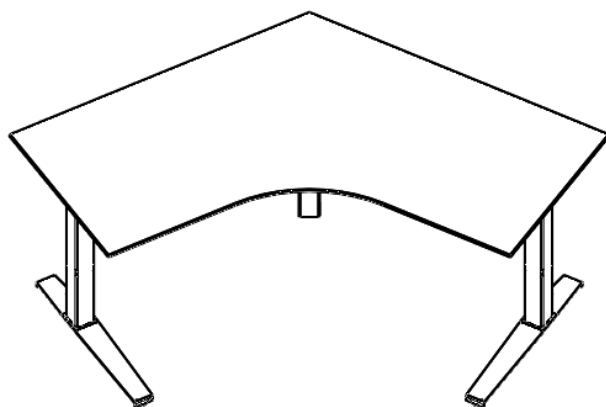
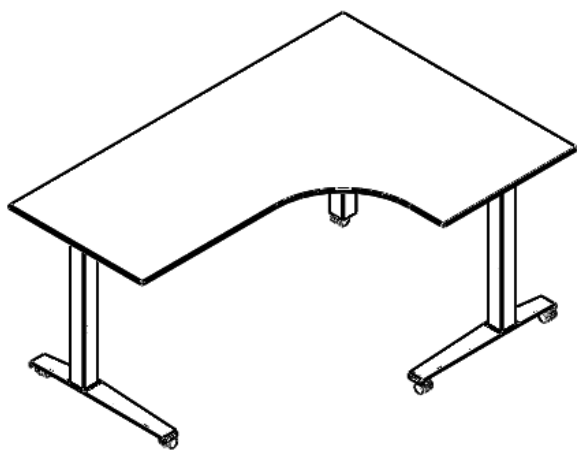
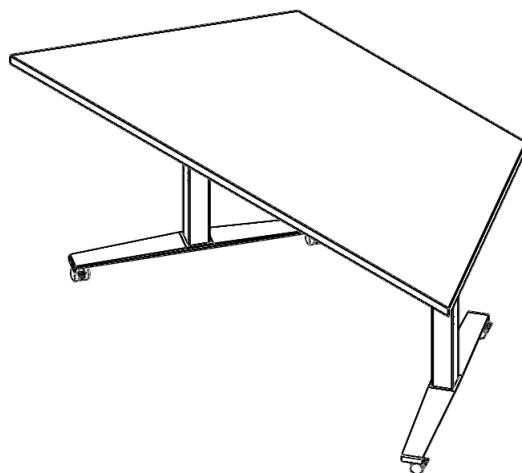
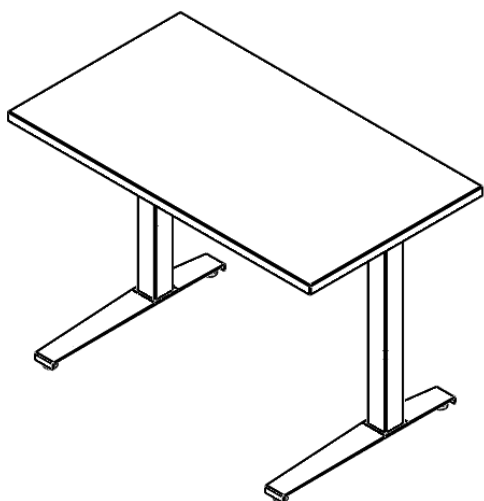
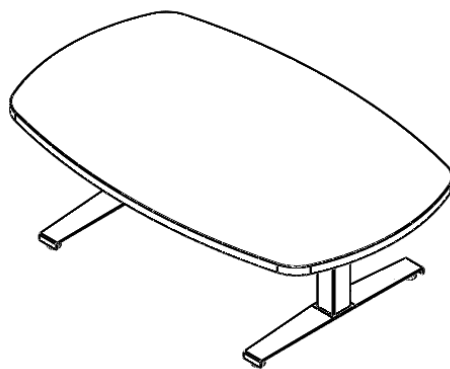


Day to Day Tables – Steel Base

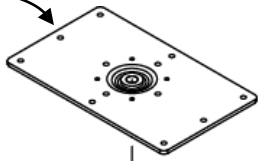


Date	Page No.	Description of change	Name
6/22/2018	1-7	Released	S. Powers
12/12/18	8	Added AIS Power Unit Instruction	S. Powers

Day to Day Tables – Steel Base

X-T-C Base Assembly

Top Plate



Post	Length
16H for Caster	11.319
16H for Glide	12.319
29H for Caster	24.319
29H for Glide	25.319
42H for Caster	37.749
42H for Glide	38.749

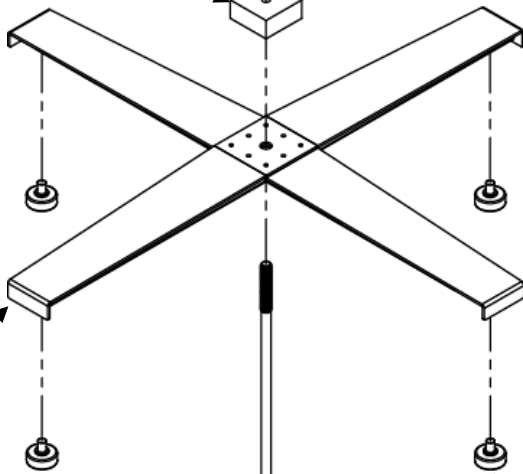
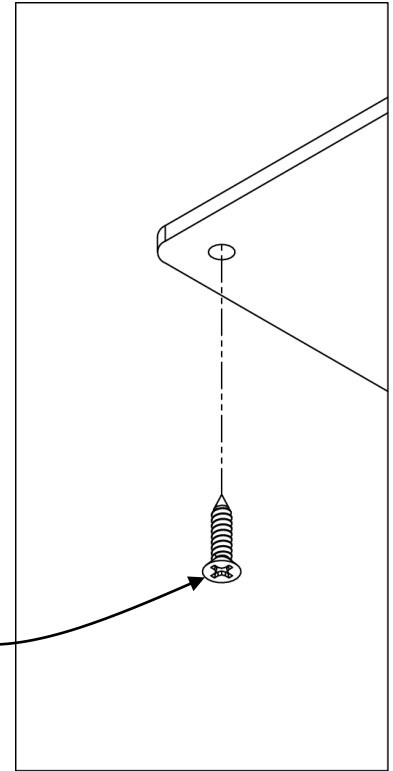
2.5" Post



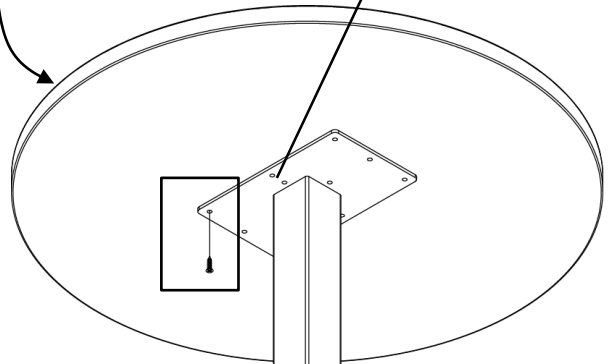
Foam Block



Flat head wood screw
#9 x 7/8 long with
#2 Phillips drive
silver x 12



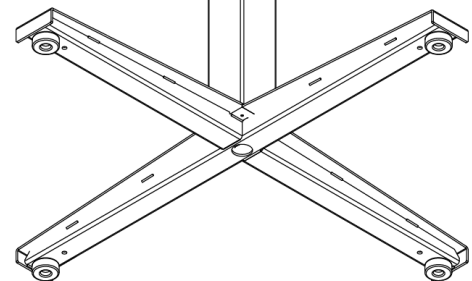
Worksurface



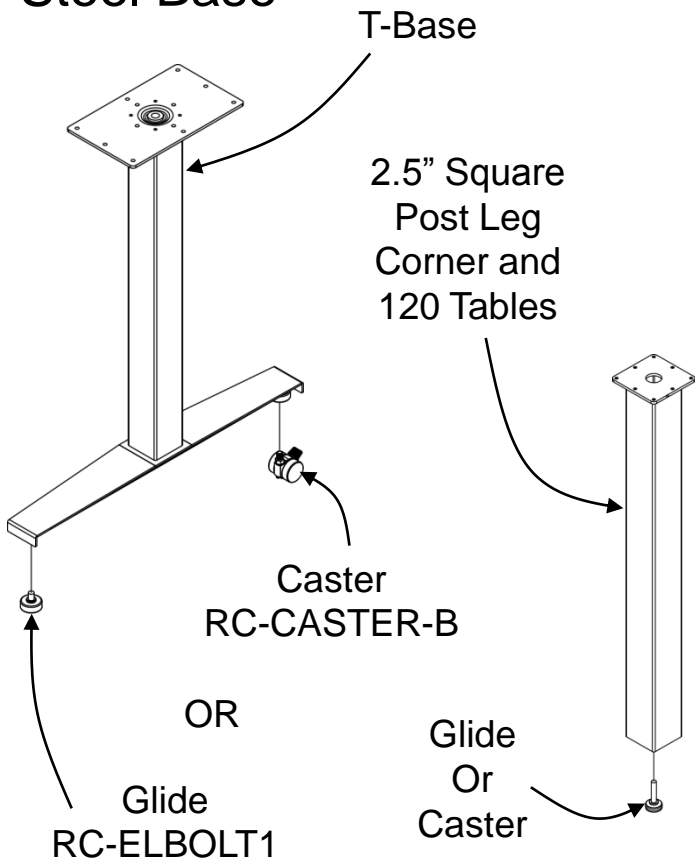
X-Base

Glide RC-ELBOLT1
Or
Caster RC-CASTER-B

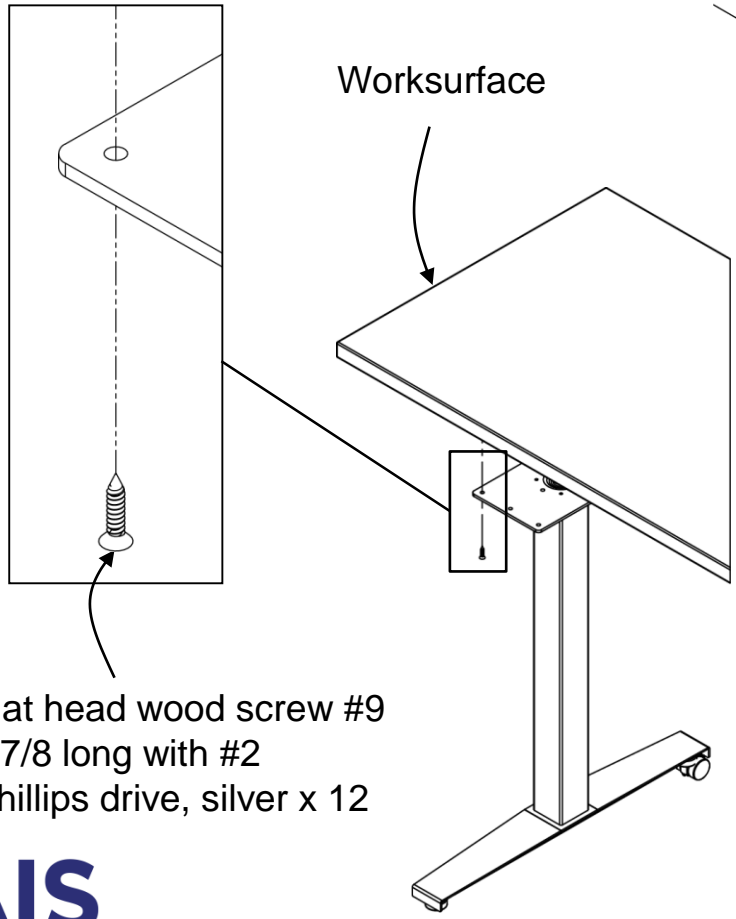
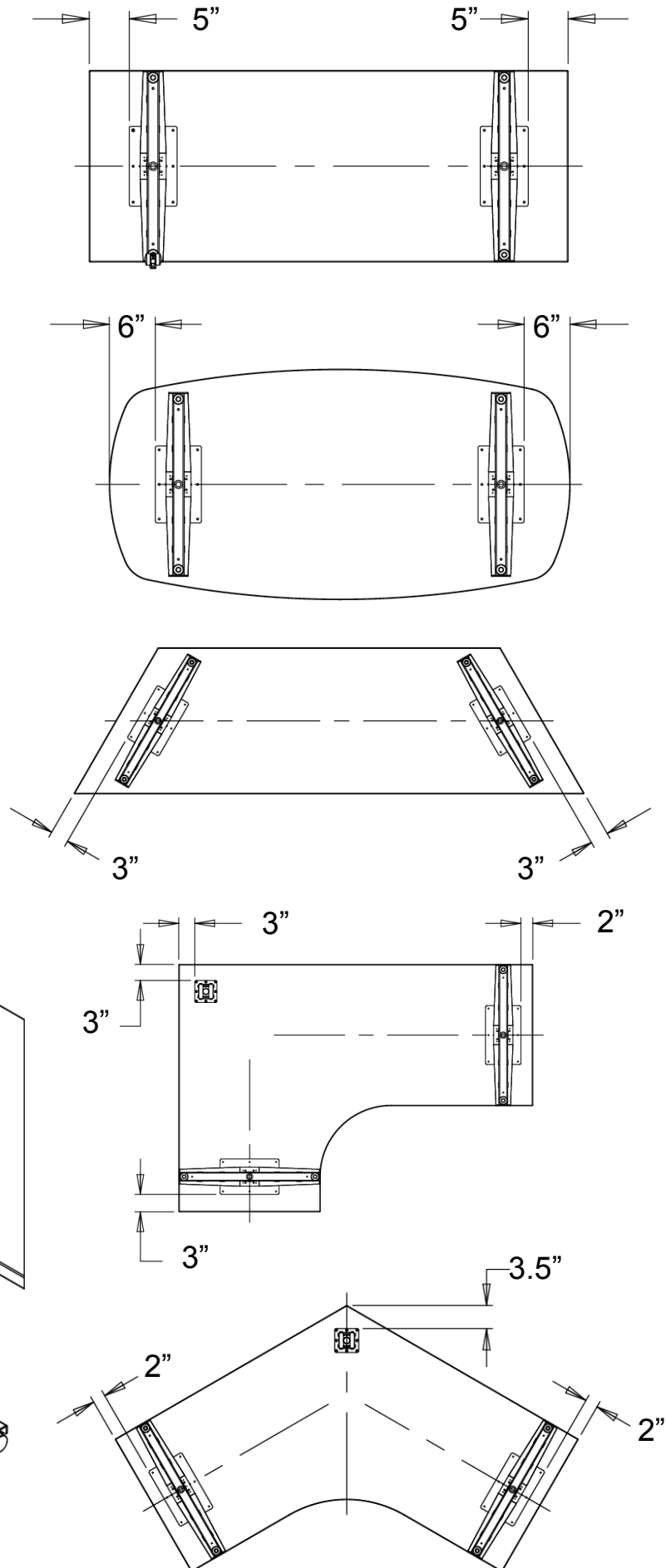
5/8" Hex Head
Long Bolt



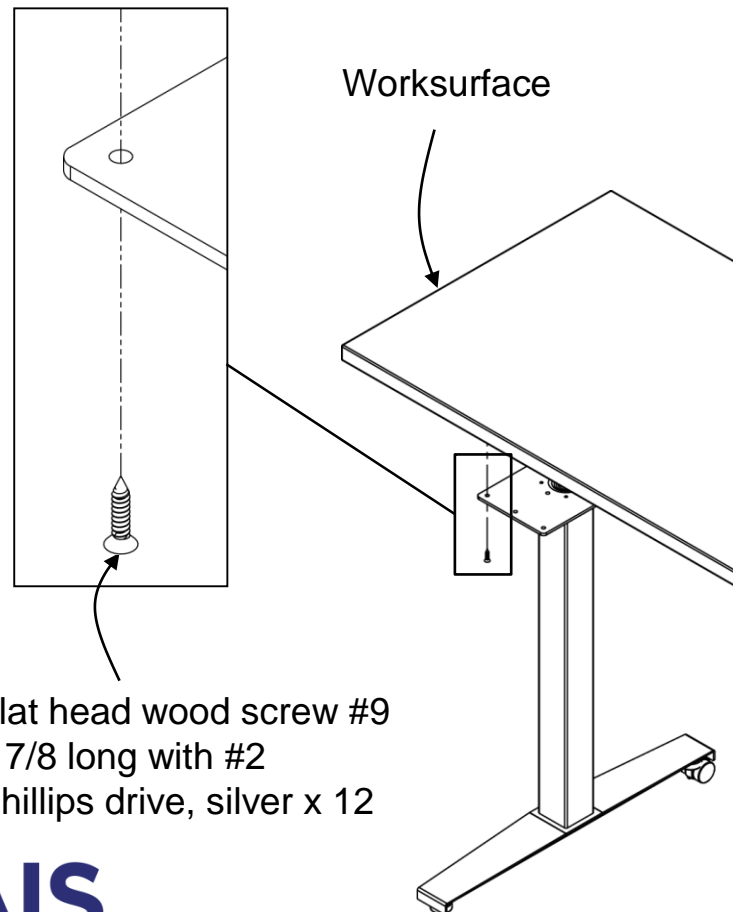
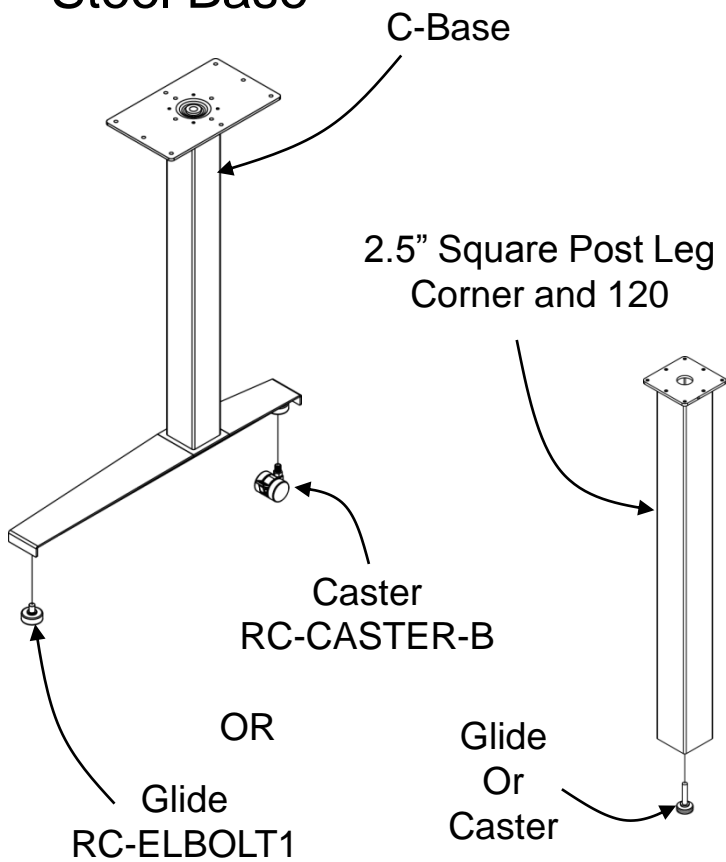
Day to Day Tables – Steel Base



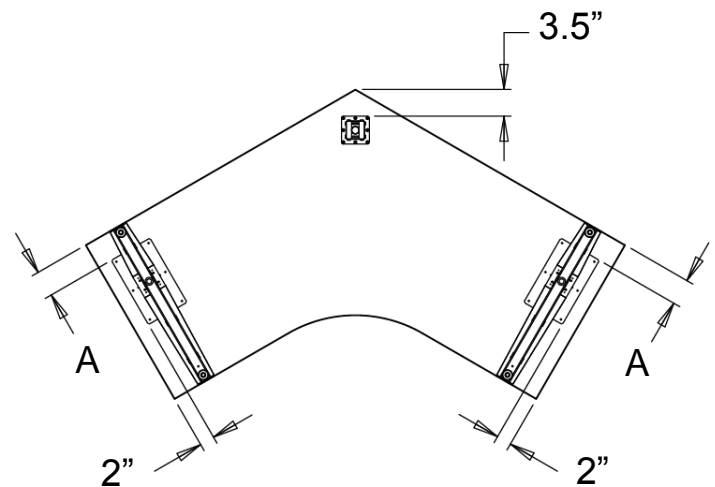
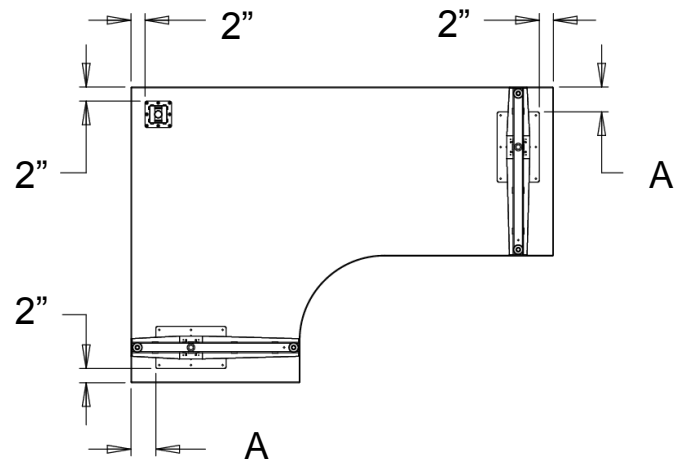
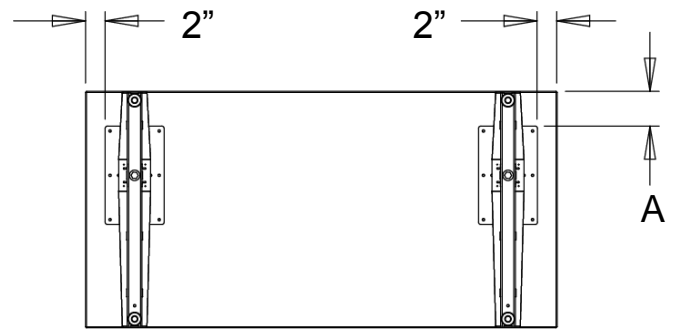
T-Base Assembly



Day to Day Tables – Steel Base



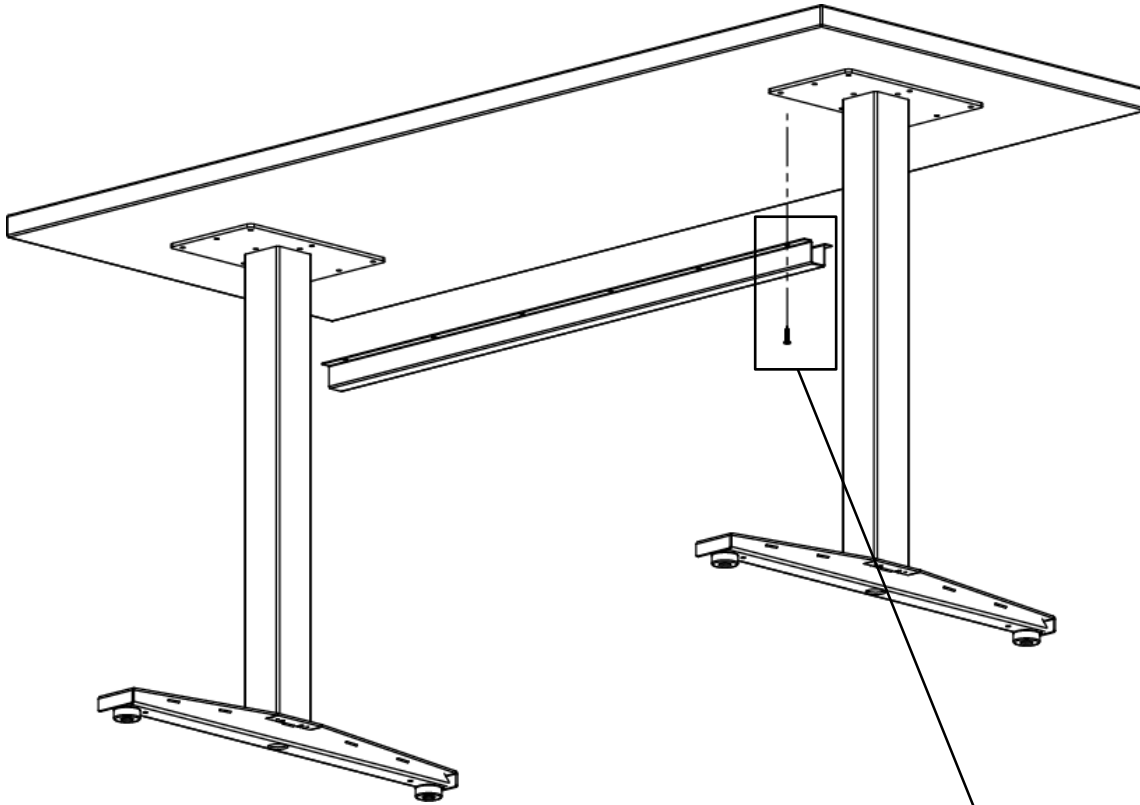
C-Base Assembly



SURFACE	DIM A
24D	3.5"
30D	5"

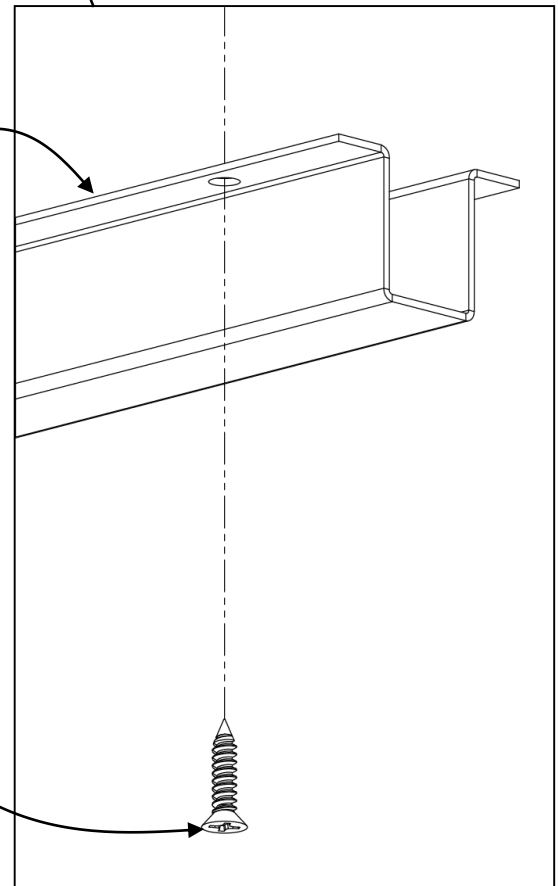
Day to Day Tables – Steel Base

U-Channel Assembly



U-Channel
(See following page for location)

Flat head wood screw #9
x 7/8 long with #2
Phillips drive, silver x 12



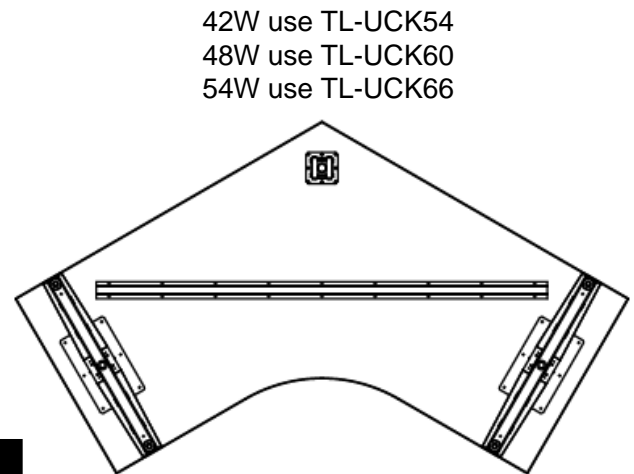
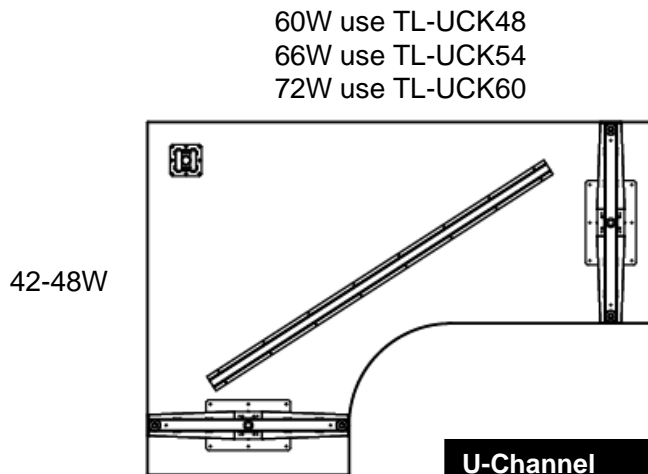
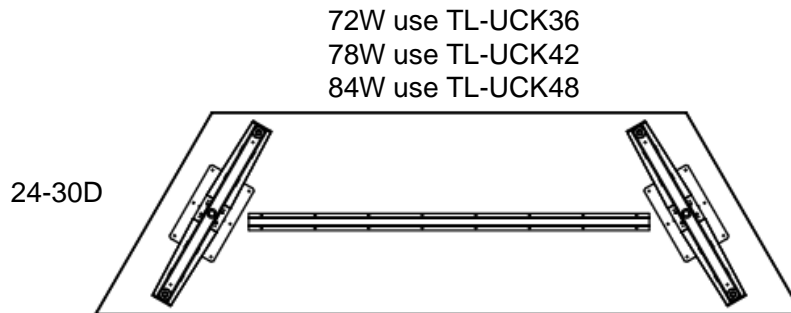
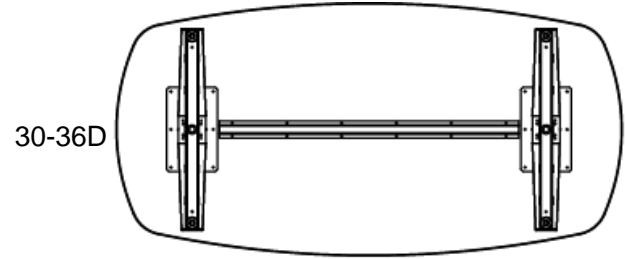
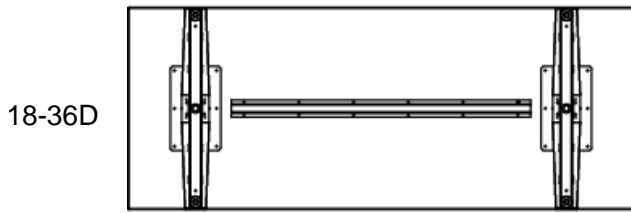
Day to Day Tables – Steel Base

U-Channel Assembly

T-Base:
 60W use TL-UCK36
 66W use TL-UCK42
 72W use TL-UCK48

C-Base:
 54W use TL-UCK36
 60W use TL-UCK42
 66W use TL-UCK48
 72W use TL-UCK54

60W use TL-UCK36
 66W use TL-UCK42
 72W use TL-UCK48



U-Channel	Length
TL-UCK36	36"
TL-UCK42	42"
TL-UCK48	48"
TL-UCK54	54"
TL-UCK60	60"
TL-UCK66	66"

Day to Day Tables – Steel Base

AIS Power Unit

