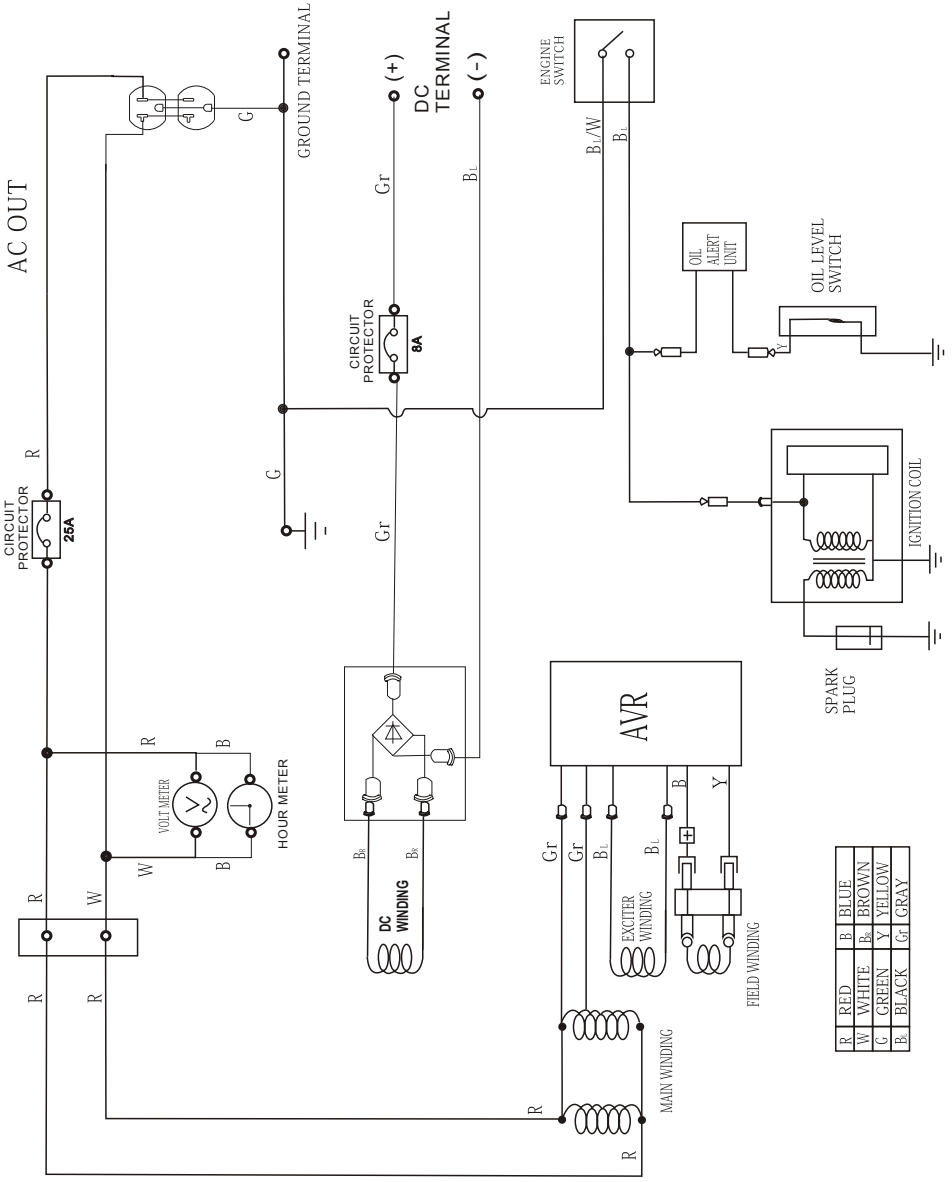


# STGP-3500 WIRE DIAGRAM

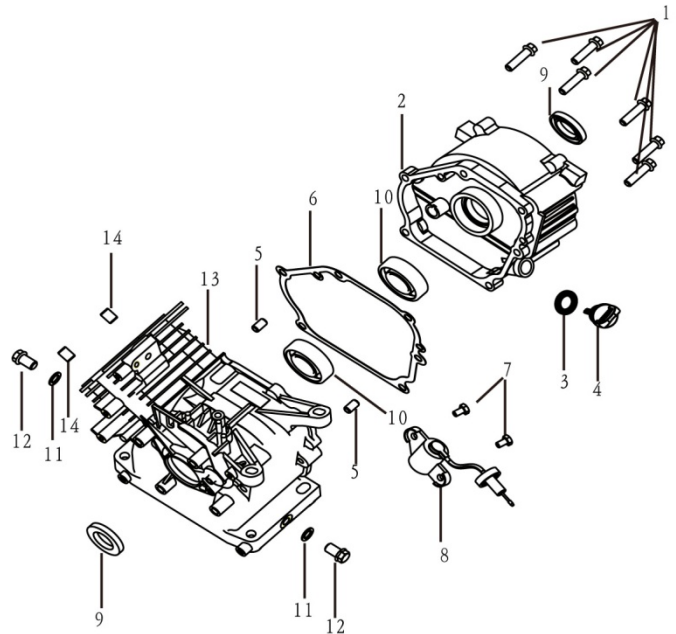


# GP Series

## PARTS LIST AND DIAGRAM

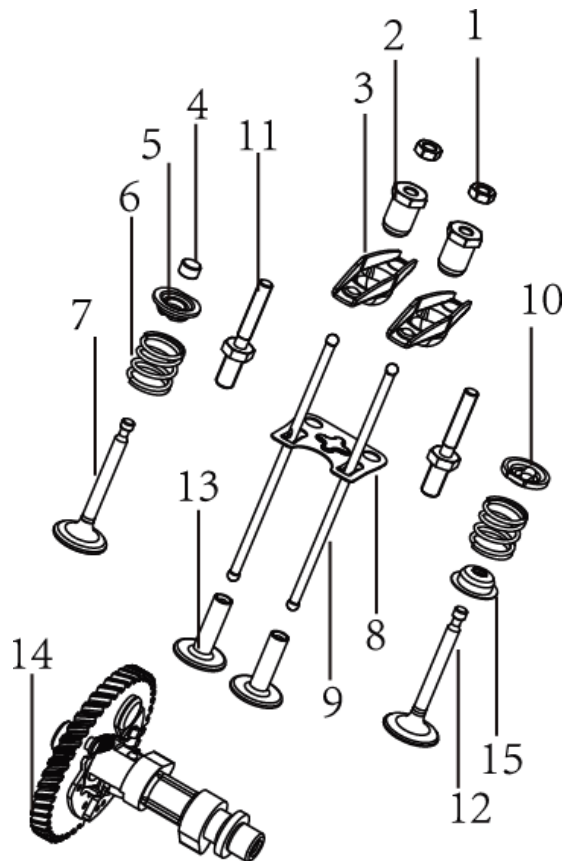
### Crankcase Assembly

No	Part No	Descri on	Qty
1	GB/T5787	BOLT M8 X 35	6
2	QJ168QDJ.01-01B	CRANKCASE COVER	1
3	JF142E.8-5	DIPSTICK O RING	2
4	QJ168QDJ.01-04	DIPSTICK	1
5	157.3-8	DOWEL PIN 8 X 14	2
6	QJ168QDJ.01-02	CRANKCASE GASKET	1
7	GB/T5787	BOLT M6 X 12	2
8	QJ168FJH-3.01.02	OIL LEVEL SENSOR	1
9	QJ168QDJ.01.01	OILSEAL	2
10	GB/T276-94	BEARING	2
11	QJ166QDK.01-07	DRAIN PLUG GASKET	2
12	QJ166QDK.01-06	DRAIN PLUG	2
13	QJ168QDL.01.01	CRANKCASE ASSEMBLY	1
14	157.4-6	DOWEL PIN	2



### Intake and Exhaust Mechanism Assembly

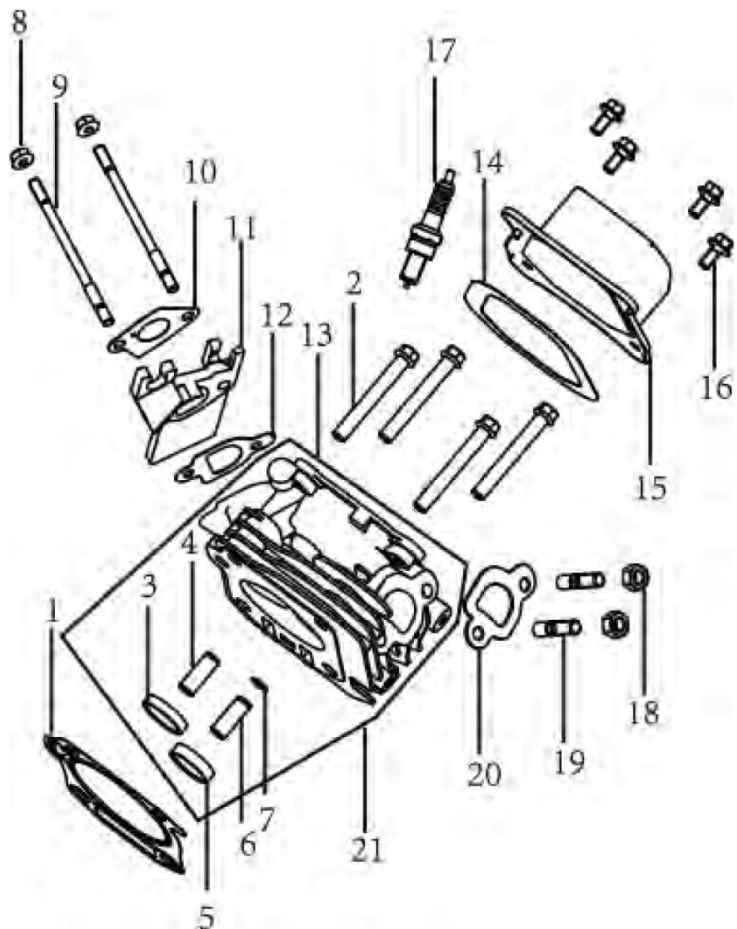
No	Part No	Description	Qty
1	QJ166QDK.03-11	ADJUSTING NUT	2
2	QJ182QDP.03-07	BUTTON HEAD	2
3	QJ168QDJ.03-09	ROCKER ARM	2
4	QJ168QDJ.03-02	ROTATOR CAP	1
5	QJ168QDJ.03-10	UPPER RETAINER EXHAUST	1
6	QJ168QDJ.03-07	VALVE SPRING	2
7	QJ168QDJ.03 - 05B	EXHAUST VALVE	1
8	QJ168QDJ.03-04	GUIDE PLATE	1
9	QJ168QDJ.03-02	PUSH ROD	2
10	QJ168QDJ.03-08	UPPER RETAINER INTAKE	1
11	QJ182QDP.03-04	ADJUSTING STUD	2
12	QJ168QDJ.03-06	INTAKE VALVE	1
13	QJ168QDL.03-01	TAPPET	2
14	QJ168QDL.03.01B	CAMSHAFT	1
15	QJ168QDJ.03.03	VALVE STEM SEAL	1



## PARTS LIST AND DIAGRAMS

### Cylinder Head Assembly

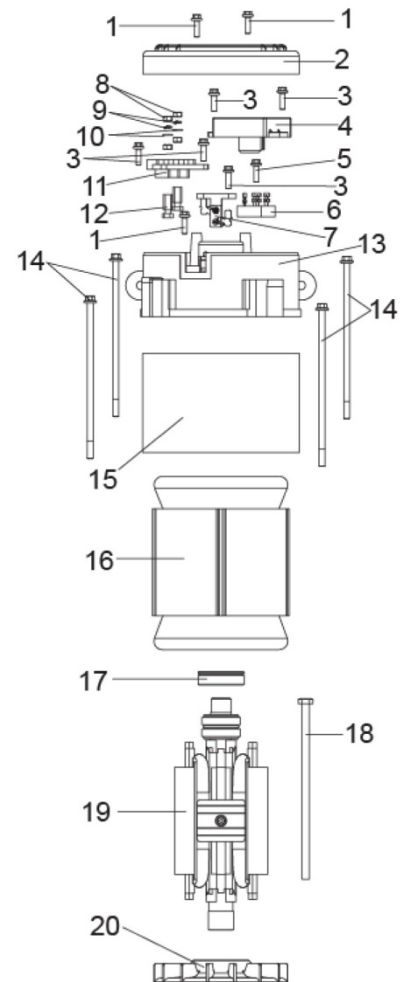
No	Part No	Description	Qty
1	QJ168QDL.02 -01	HEAD GASKET	1
2	GB/T5787	CYLINDER HEAD BOLT	4
3	QJ168QDJ.02.01B - 05	INTAKE VALVE SEAT	1
4	QJ168QDJ.02.01-06	INTAKE PUSH ROD TUBE	1
5	QJ168QDJ.02.01B- 02	EXHAUST VALVE SEAT	1
6	QJ168QDJ.02.01- 03	EXHAUST PUSH ROD TUBE	1
7	QJ168QDJ.02.01- 04	VALVE STEM SEAL	1
8	GB/T6177.1-2000	NUT M6	2
9	JF152FFH.02-06	INTAKE STUD INTAKE GASKET	2
10	QJ168QDJ.02- 05	CARBURETOR	1
11	QJ168QDJ.02- 02	INTAKE MANIFOLD	1
12	QJ168QDJ.02- 04	INTAKE GASKET MANIFOLD	1
13	QJ168QDL.02.01- 01	CYLINDER HEAD (BARE)	1
14	QJ168QDJ.02- 06	VALVE COVER GASKET	1
15	JF168FJH-15.02.01	VALVE COVER	1
16	GB/T5789	BOLT M6 X 14 (VALVE COVER BOLTS)	4
17	QJ1E50FMG.1.2	SPARK PLUG	1
18	GB/T6177.1-2000	NUT M8	2
19	QJ168QDJ.02- 07	EXHAUST STUD	2
20	QJ168QDJ.02- 01	EXHAUST GASKET	1
21	QJ168QDL.02.01B	CYLINDER HEAD ASSEMBLY	1



## PARTS LIST AND DIAGRAMS

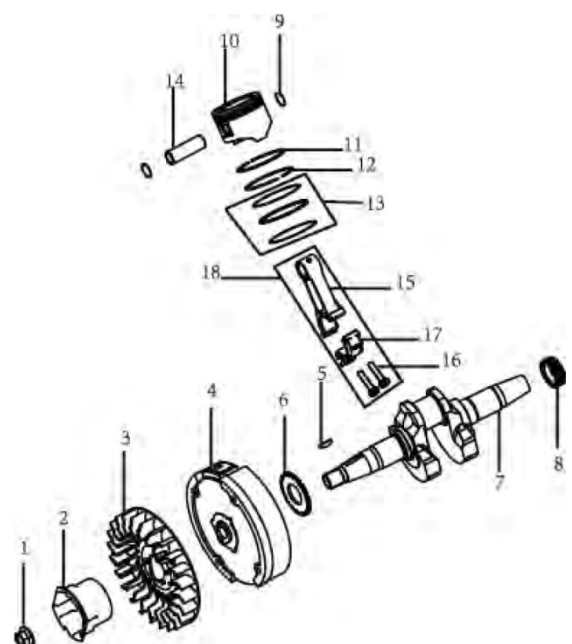
### Generator Assembly

No	Part No	Description	Qty
1	GB/T5787-1986	BOLT M5 * 8	3
2	QJ2500.03-02	RIGHT SIDE COVER	1
3	GB/T5789 - 86	BOLT M5 * 12	5
4	QJ2300.03.04	AVR	1
5	GB/T5787-86	BOLT M5 * 17	1
6	QJ2500.02.05	RECTIFIER	1
7	QJ2300.03.03	BRUSH ASSEMBLY	1
8	GB/T6170.1-2000	NUT M5	4
9	GB/T93-87	SPRING WASHER D5	2
10	GB/T95-2002	WASHER D5	2
11	QJ6000.03-03	CONNECTOR	4
12	GB/T5780-86	BOLT M5 * 20	2
13	QJ2500.03- 01	MOTOR CASING	1
14	GB/T5787- 86	BOLT M6 * 160	4
15	QJ3200.03-01A	STATOR COVER	1
16	QJ3200.03.01	STATOR ASSEMBLY	1
17	GB/T271-87	BALL BEARING (6202Z)	1
18	GB/T5789-86	BOLT M8 * 230	1
19	QJ3200.03.02	ROTOR ASSEMBLY	1
20	QJ2500.03.02.01	IMPELLER	1



### Crankshaft Assembly

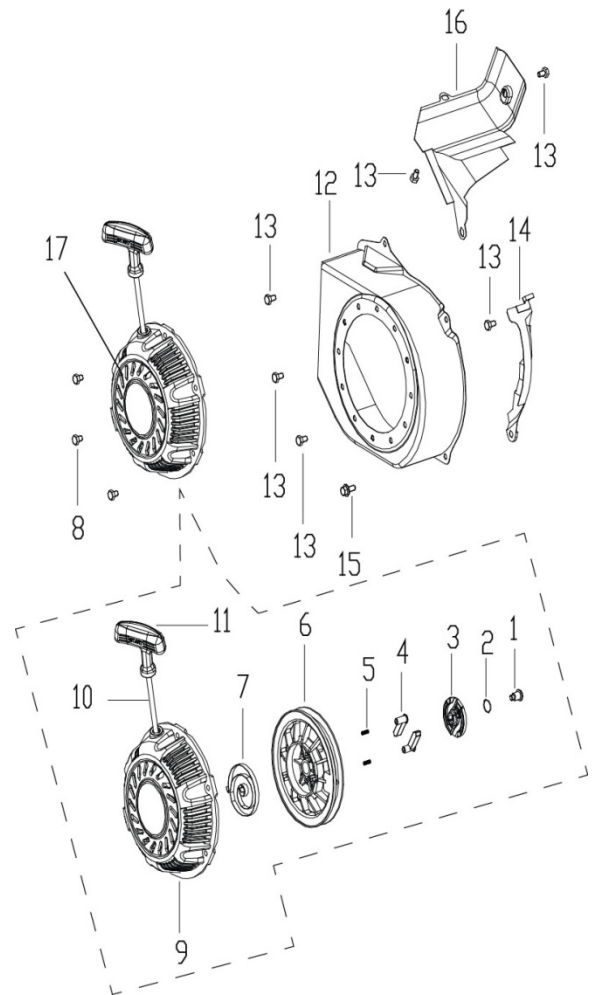
No	Part No	Description	Qty
1	QJ168QDJ.04-06	FLYWHEEL NUT	1
2	QJ168QDJ.04-10	RATCHET WHEEL	1
3	QJ168QDJ.04-11	FAN	1
4	QJ168QDJ.04.03	FLYWHEEL	1
5	QJ182QDP.04-03	KEY	1
6	QJ168QDJ.04-09	DRIVE GEAR	1
7	JF168FLH-2H.04-01	CRANKSHAFT	1
8	QJ168QDJ.04-08	CRANKSHAFT TIMING	1
9	QJ168QDJ.04-05	PISTON WRISTPIN	1
10	QJ168QDL.04-01	PISTON	1
11	QJ168QDJ.04-02	FIRST RING	1
12	QJ168QDJ.04-03	SECOND RING	1
13	QJ168QDJ.04.01	OIL RING ASSEMBLY	1
14	QJ168QDJ.04-04	WRIST PIN	1
15	QJ168QDJ.04.02-01	PISTON ROD	1
16	QJ166QDK.05.02-03	PISTON ROD BOLTS	2
17	QJ168QDJ.04.02-02	PISTON ROD CAP	1
18	QJ168QDJ.04.02	PISTON ROD	1



## PARTS LIST AND DIAGRAMS

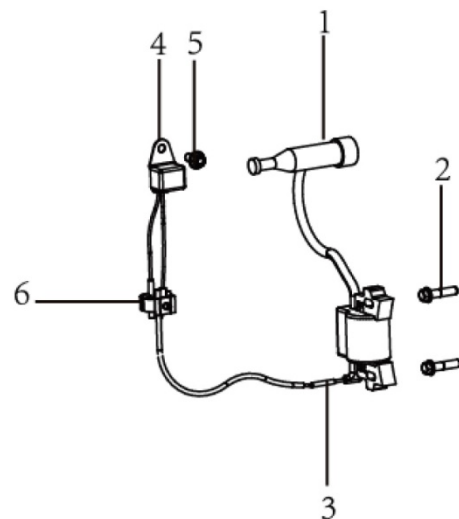
### Pull Start Assembly

No	Part No	Description	Qty
1	QJ168QDJ.06-05	Screw BOLT M6X8	1
2	QJ1P65QGCJ.9-6	Circlip	1
3	QJ168QDJ.06-04	Guide Pan	1
4	QJ168QDJ.06-01	Ratchet	2
5	QJ168QDJ.06-02	Compression Spring	2
6	QJ168QDJ.06-03	Spool	1
7	QJ1P65QGCJ.9-1	Wind Spring	1
8	GB/T5789-1986	BOLT M6X8	3
9	JF168FJH-15.03.01B	Starter Cover	1
10	QJ168QDJ.06-08	Starter Rope	1
11	JF168FJH.06.01.02C	HANDLE	1
12	QJ168QDJ.06.02.02B	ENGINE SIDE COVER	1
13	GB/T5789-1986	BOLT M6X10	6
14	QJ168QDJ.06.02.01	SHIELD 1	1
15	GB/T5789-1986	BOLT M6 X 14	1
16	QJ168QDJ.06.02.01	SHIELD 2	1
17	JF168FLH-3.06.01D	Pull Start Assembly	1



### Ignition Assembly

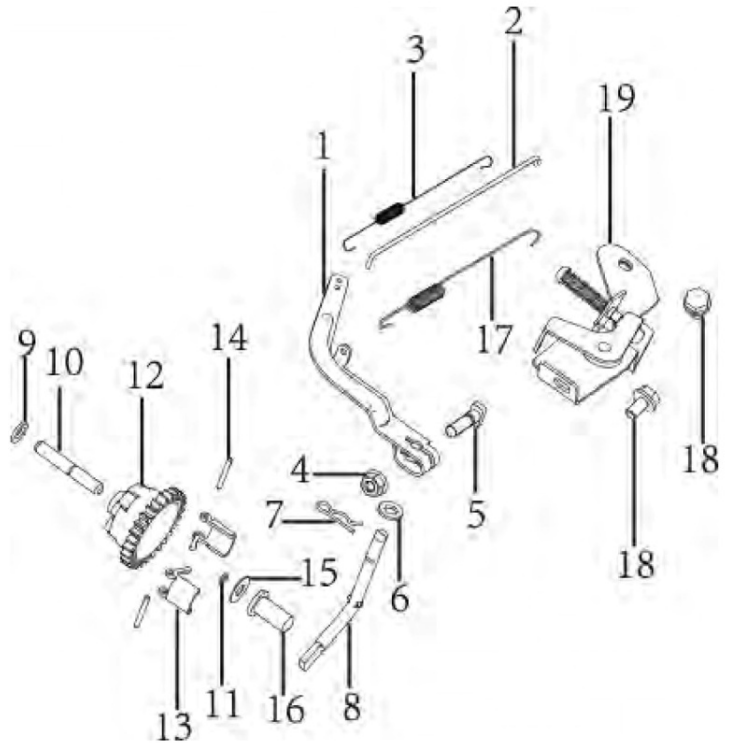
No	Part No	Description	Qty
1	QJ168QDJ.11.03B	IGNITION WINDING	1
2	GB/T5787	BOLT M6 X 25	2
3	QJ168QDJ.11.02	WIRE CONNECTING	1
4	QJ182QDP.01.05	EXTERNAL OIL SENSOR SWITCH	1
5	GB/T5789	BOLT M6 X 8	1
6	QJ168FJH-3.08-01	CLIP	1



## PARTS LIST AND DIAGRAMS

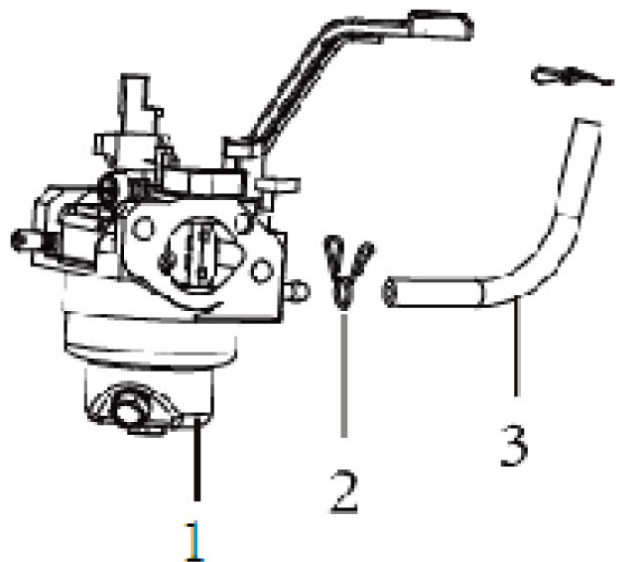
### Centrifugal Adjusting Assembly

No	Part No	Description	Qty
1	QJ168QDJ.05-01	ARM	1
2	QJWB.0601-10	RETENTION	1
3	QJ168QDJ.05-06	TENSION SPRING 2	1
4	GB/T6177	NUT M6	1
5	QJ182QDP.06-03	SQUARE BOLT	1
6	QJ168QDJ.05-06	SPACER 2	1
7	QJ182QDP.06-02	CIRCLIP	1
8	QJ168QDJ.05-03	FORK	1
9	QJ166QDK.06-03	SPACER 1	1
10	QJ168QDJ.05-04	PIN	1
11	QJ166QDK.01-02	COTTER PIN	1
12	QJ168QDJ.05.02-01	CENTRIFUGAL ADJUSTMENT	1
13	QJ168QDJ.05.02-03	CENTRIFUGAL BLOCK	2
14	QJ168QDJ.05.02-02	PIN	2
15	QJ168QDJ.05-08	SPACER 3	1
16	QJ168QDJ.05-02	PUSHROD COVER	1
17	QJ168QDJ-2.02-01	TENSION SPRING 1	1
18	GB/T5789	BOLT M6 X 10	2
19	QJ168QDJ-2.02.01	HANDLE ASSEMBLY	1



### Carburetor Assembly

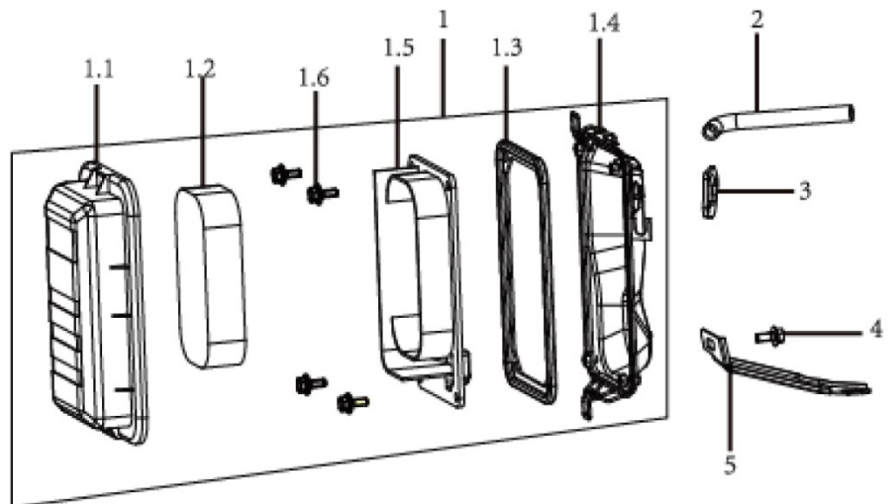
No	Part No	Description	Qty
1	QJ168FLH-	CARBURETOR	1
2	153FM-0000041	HOSE CLAMP	2
3	QJ168QDJ.10.03-	FUEL LINE	1



## PARTS LIST AND DIAGRAMS

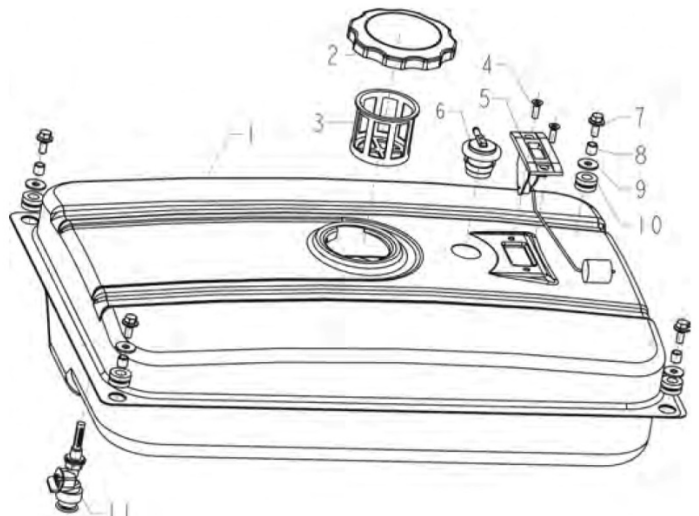
### Air Cleaner Assembly

	Part No	Description	Qty
1	JF168FJH-15.04B.01	AIR CLEANER ASSEMBLY	1
1.1	JF168FJH-15.04.01	AIR CLEANER COVER	1
1.2	QJ168FJH-3.05.01-02	AIR FILTER ELEMENT	1
1.3	QJ168FJH-3.05.01-04	SEAL	1
1.4	QJ168FJH-3.05.01.01	AIR FILTER BASE	1
1.5	QJ168FJH-3.05.01-03	SUSTAIN BOARD	1
1.6	GB /T9 074 .11	BOLT M5 X 14	4
2	QJ1 68 FJH-3 .05- 01	BREATHER TUBE	1
3	QJ1 68QD J .07 .0 3	AIR CLEANER GASKET	1
4	GB/T5789-1986	BOLT M6 X 10	1
5	QJ1 68FJH -3 .05- 02	AIR CLEANER BRACKET	1



### Gas Tank

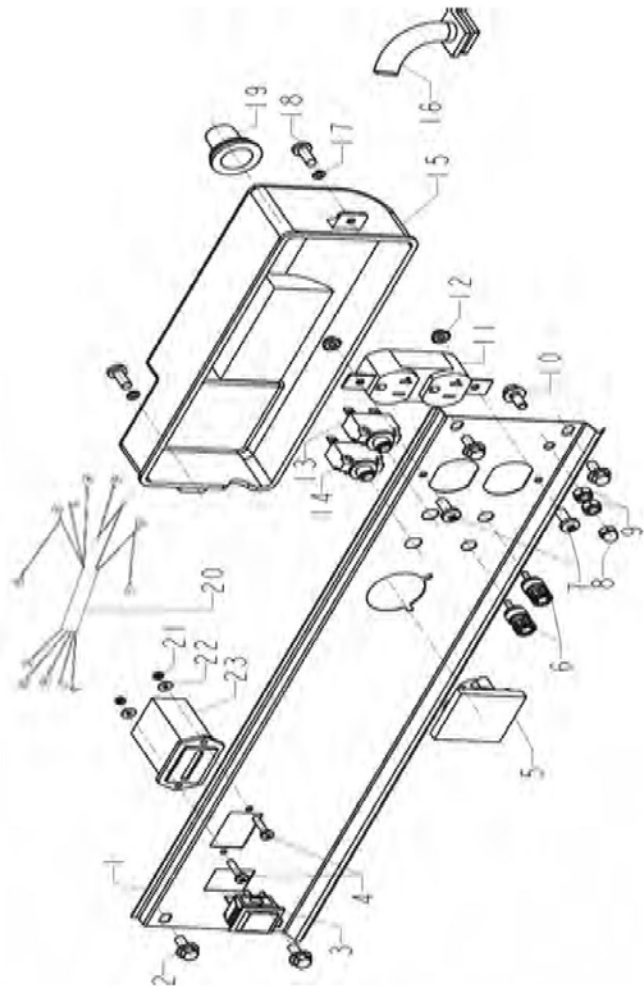
No	Part No	Description	Qty
1	QJ3000.01.01A	FUEL TANK	1
2	QJ2600.01.05	GAS CAP	1
3	QJ2600.01-04A	FILTER SCREEN	1
4	GB/T819.2-1997	SCREW M5 X 1 0	1
5	QJ6000.01.03	FUEL GAUGE	1
6	QJ2900.08.02A	OVERFLOW VALVE	1
7	GB5787-1986	BOLT M6 X 20	4
8	GB95-1986	WASHER 6	4
9	QJ2600.01-06	SPACER	4
10	QJ2600.01-03	RUBBER WASHER	4
11	QJ2600.01.02	FUEL PETCOCK	1



## PARTS LIST AND DIAGRAMS

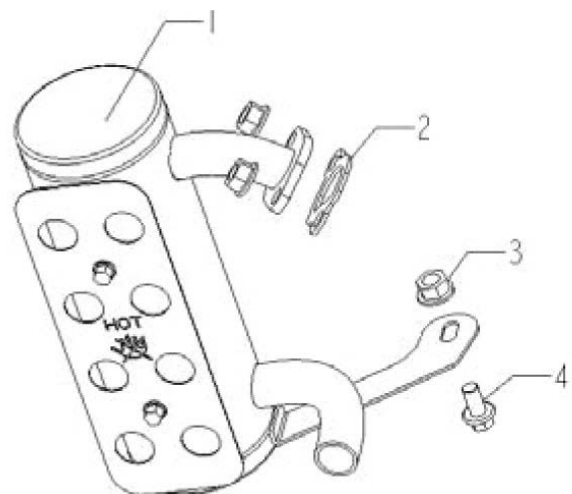
### Control Panel Assembly

	Part No	Description	Qty
1	QJ3200.01.01B	PANEL FACE PLATE	1
2	GB/T5789-1986	BOLT M6 X 8	1
3	QJ1200.02.04	IGNITION SWITCH	1
4	GB/T818-2000	SCREW M3 X 12	2
5	QJ2600.02.05	VOLTMETER	1
6	QJ3200.01.05A	DC TERMINAL	1
7	GB/T818-2000	SCREW M4 X 12	2
8	GB/T923-1988	NUT M6	1
9	GB/T6170-2000	NUT M6	2
10	GB/T5789-1986	BOLT M6 X 16	1
11	QJ3200.01.04	STANDARD OUTLET	1
12	GB/T6177-2000	NUT M4	2
13	QJ3500.02.03A	25A BREAKER	1
14	QJ6500.02.05	8A BREAKER	1
15	EG-2000.02-01	BOTTOM SHELL	1
16	QJ1200.02-02A	SHEATH	1
17	GB/T95-2002	WASHER $\Phi$ 4	2
18	GB/T818-2000	SCREW M4 X 12	2
19	QJ6500.02-02	JACKET	1
20	QJ3200.01.06B	WIRING HARNESS	1
21	GB/T6170-2000	NUT M3	2
22	GB/T95-2002	WASHER $\Phi$ 3	2
23	QJ6500D.01.04	HOUR METER	1



### Muffler

No	Part No	Description	Qty
1	QJ3500.05.01	MUFFLER	1
2	QJ2500.05-01	MUFFLER GASKET	1
3	GB/T6177.1-2000	NUT M8	3
4	GBT5789-1986	BOLT M8 X 35	1

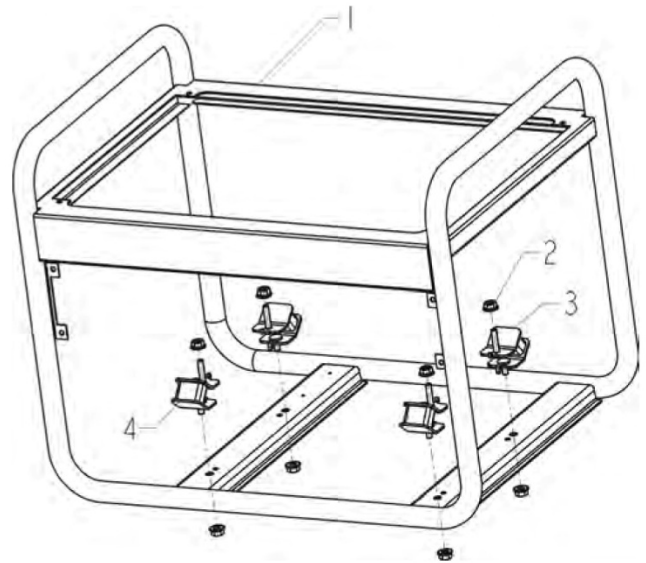




## PARTS LIST AND DIAGRAMS

### Frame Assembly

No	Part No	Description	Qty
1	QJ3200.04.01C	FRAME	1
2	GB/T6177.1-2000	NUT M8	8
3	QJ2500.06.03	BACK SHOCK MOUNT	2
4	QJ2600.08.02	FRONT SHOCK MOUNT	2



### Exhalation System

No	Part No	Description	Qty
1	QJ2900.08.01	CARBON CANISTER	1
2	QJ2900.08-01	HOSE CLAMP	3
3	KE3500D.01-01	CONNECTOR HOSE	1
4	KE3500D.01-02	TIE IN	1
5	KE3500D.01-03	RUBBER HOSE 2 (D5*D8*520)	1
6	QJ2900.08-05	HOSE CLAMP D11	3
7	KE3500D.01-04	RUBBER HOSE 3 (D8*D12*630)	1

