

Scenic Toolbox Contents:

Stock Sets	SS1 to SS4
Bespoke sets	BS1 to BS4
Engineering	EN1 to EN5
Truss	TR1 to TR1
Temporary Structures	TM1 to TM
Exhibitions	EX1 to EX3
Draughting & Design	DS1 to DS4
Staging	ST1 to ST22
Screens & Surrounds	SC1 to SC3
Lecterns	LE1 to LE3



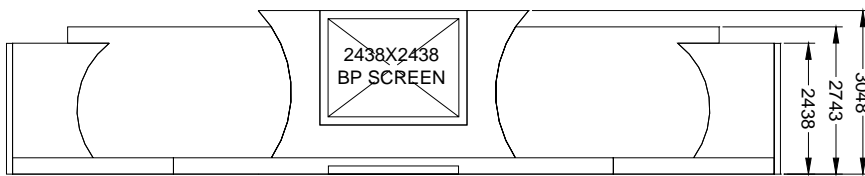
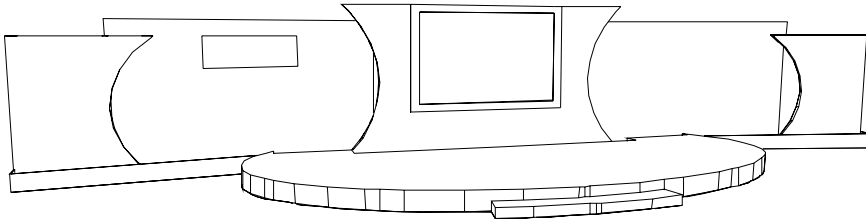
Stock Sets

Modular Set

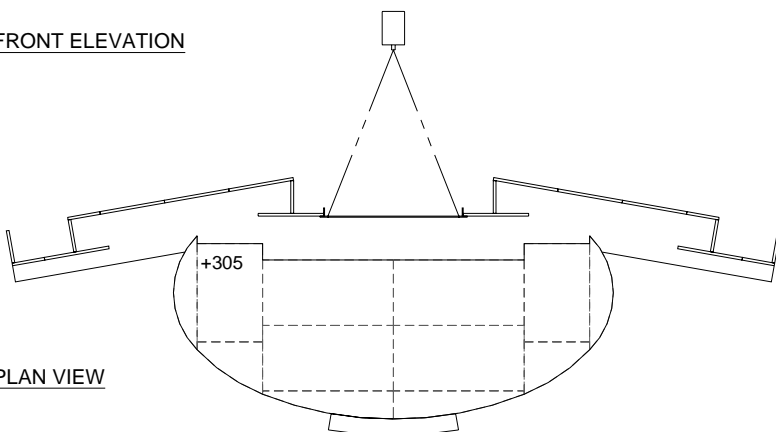
Example sets created using a range of modular set pieces and staging to create a variety of layouts.

Different size pieces also allow a single theme to be repeated across a variety of designs whilst still maintaining the overall look of the set.

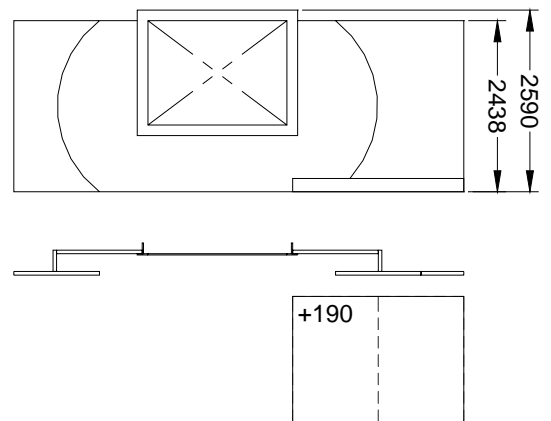
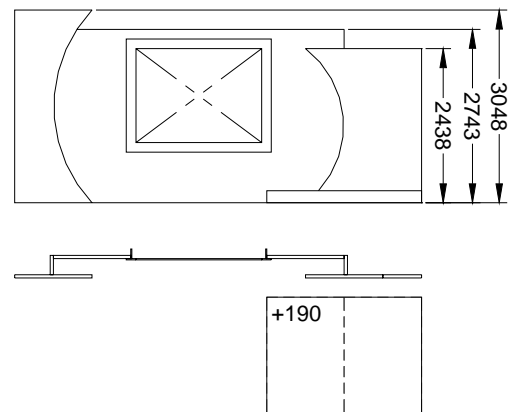
All modular sets are available finished to the specific requirements of each job in either felt, brocord, suede or PVC



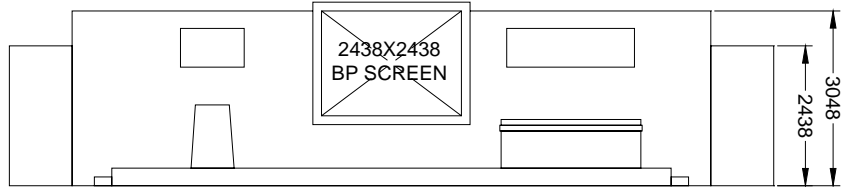
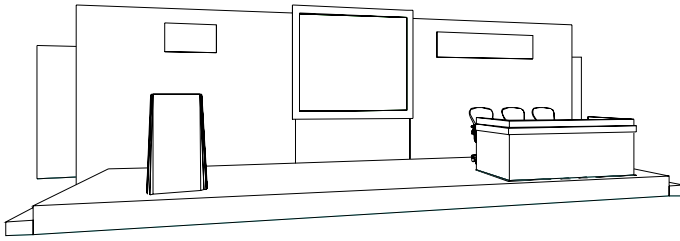
FRONT ELEVATION



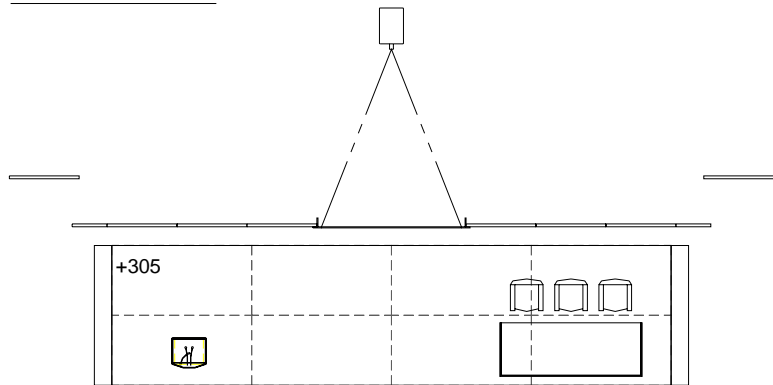
PLAN VIEW



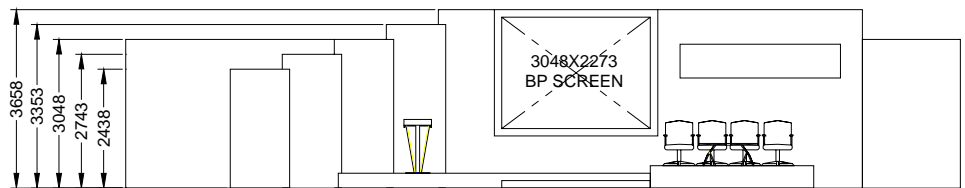
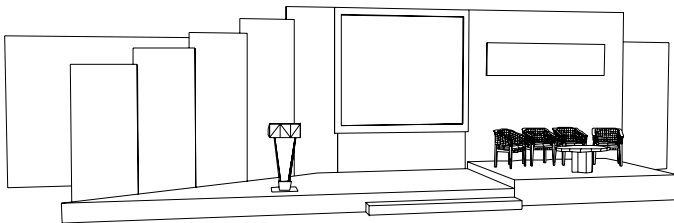
Standard Sets



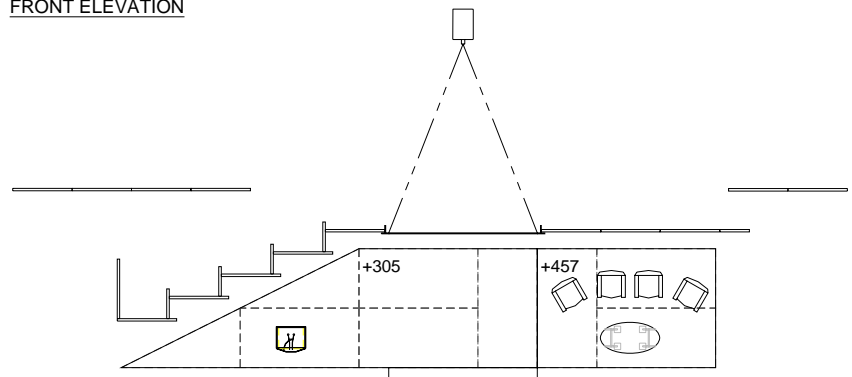
FRONT ELEVATION



PLAN VIEW

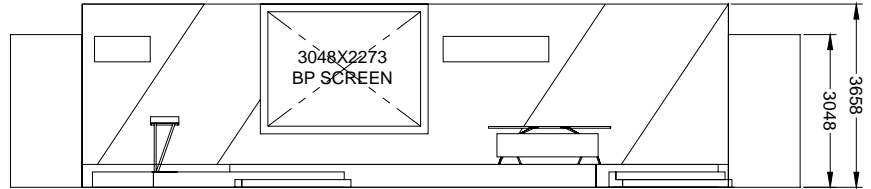
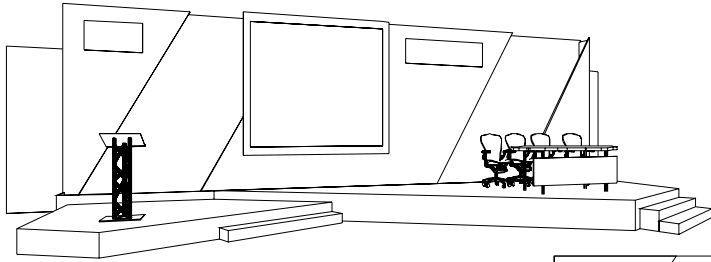


FRONT ELEVATION

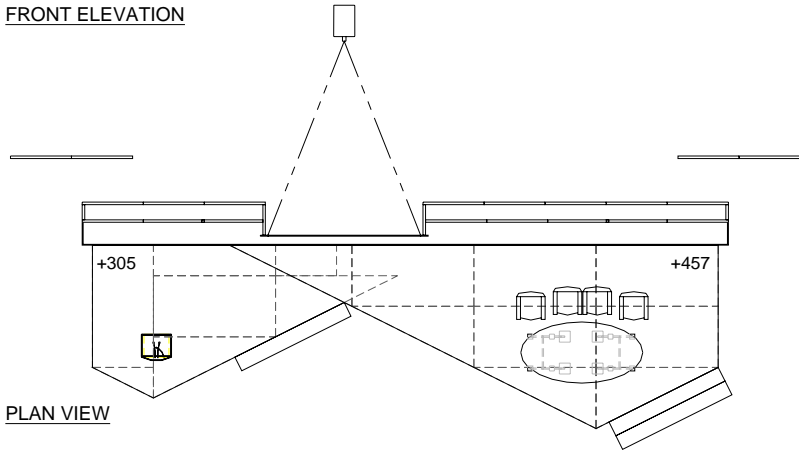


PLAN VIEW

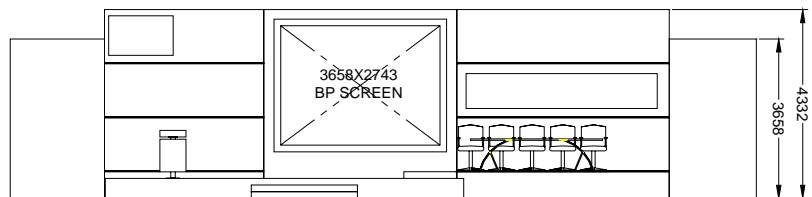
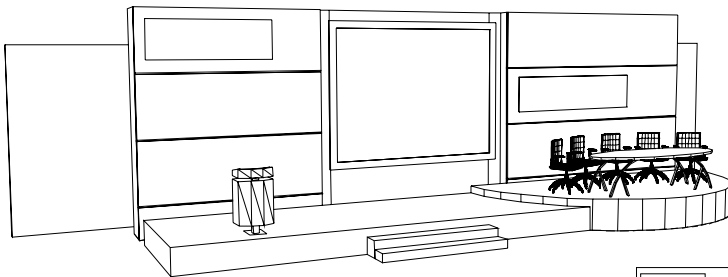
Standard Sets



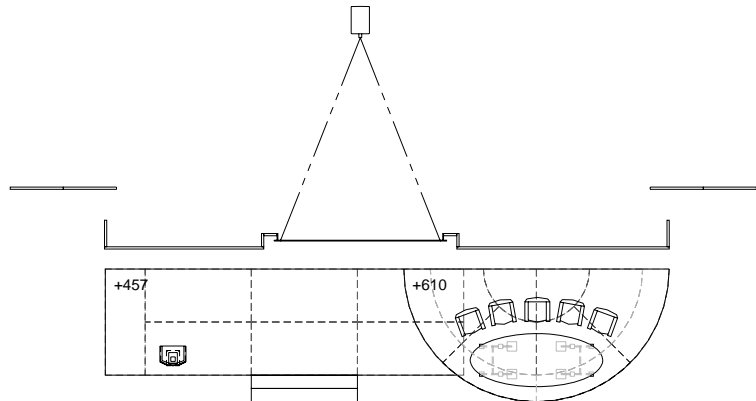
FRONT ELEVATION



PLAN VIEW

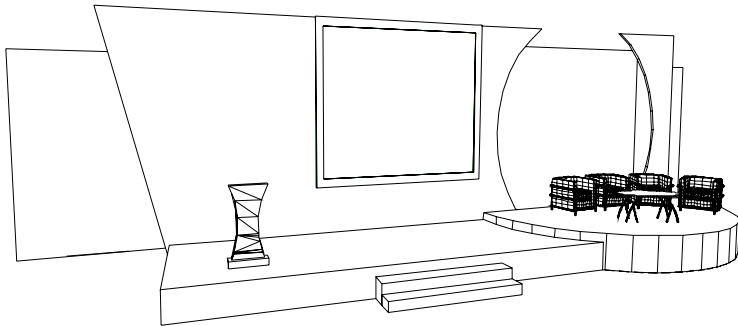


FRONT ELEVATION



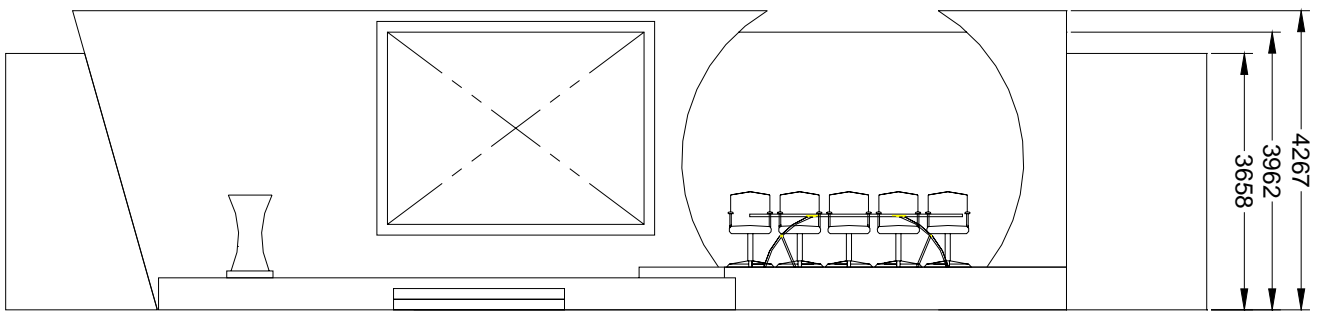
PLAN VIEW

Large Standard Sets

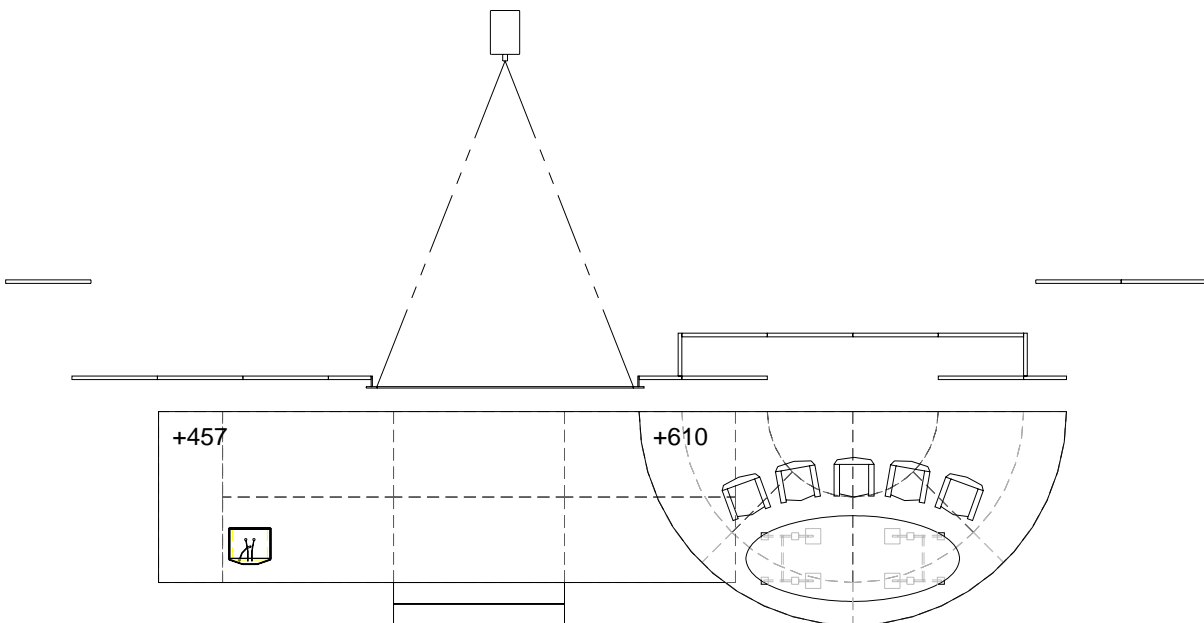


Example of a standard set suitable for larger venues. As with all stock sets it is available finished in felt, brocord, suede & PVC.

Accessories such as the tables, chairs and lecterns can be supplied for a more complete package. See relevant section of catalogue for such items.

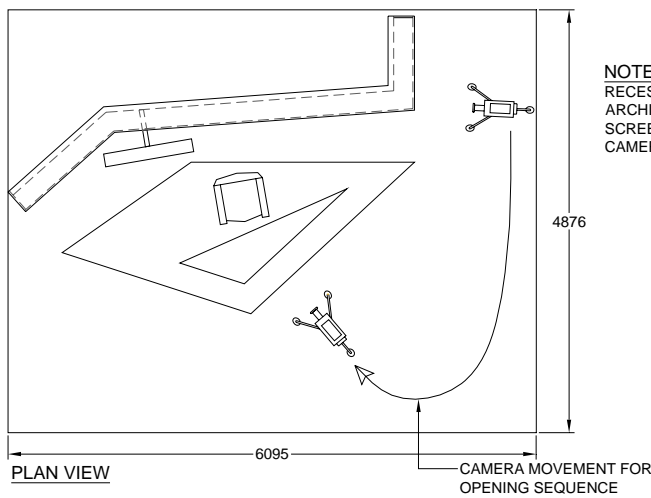
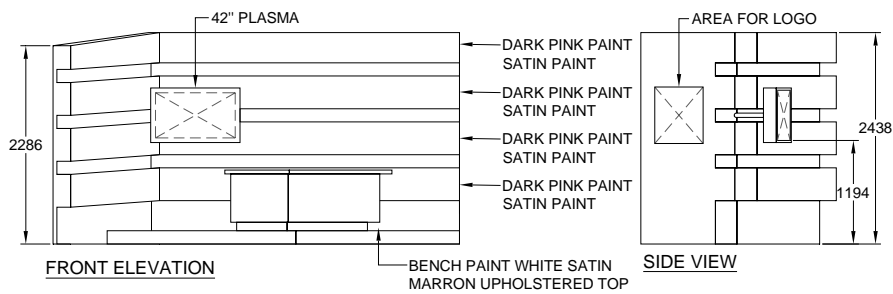
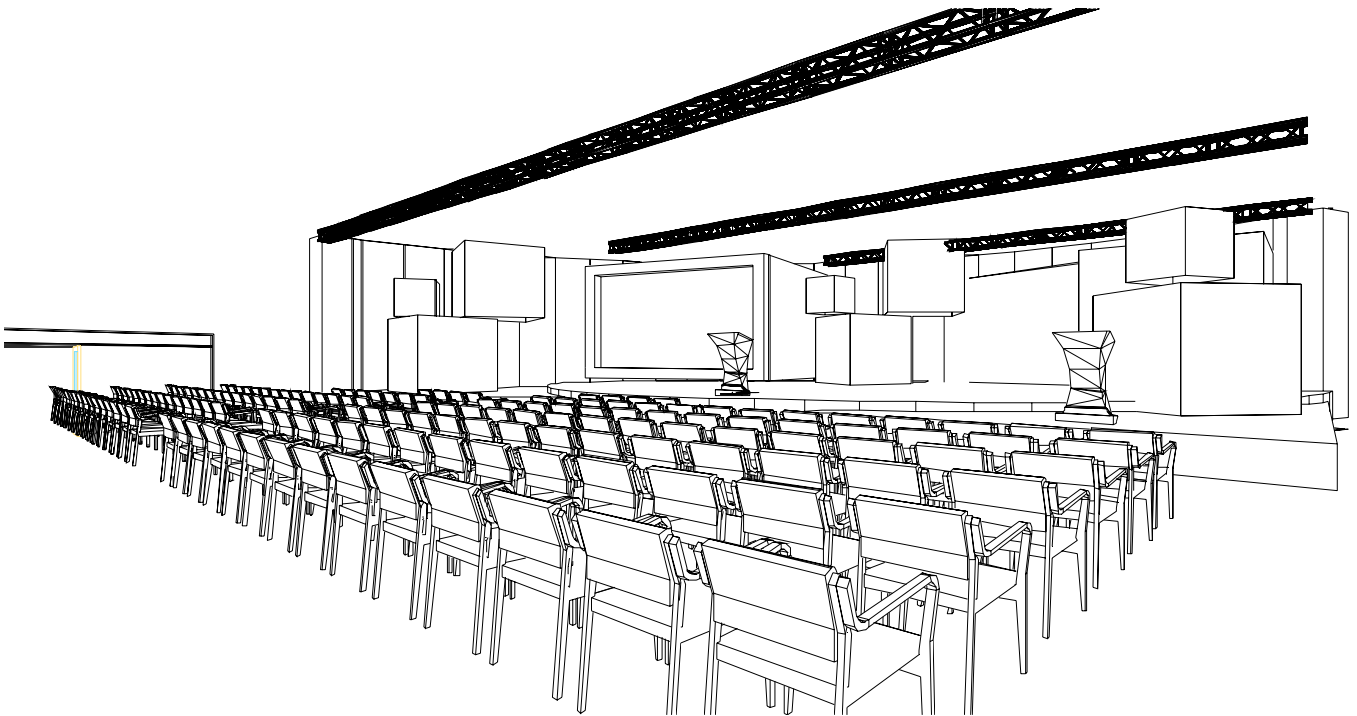


FRONT ELEVATION



PLAN VIEW

Bespoke
Scenery



NOTES
 RECESSED DETAIL PAINT GOLD
 ARCHIS SET INTERNALLY (HIDDEN)
 SCREEN SURROUND PAINT SATIN WHITE
 CAMERA PANS FROM LOGO STAGE FRONT



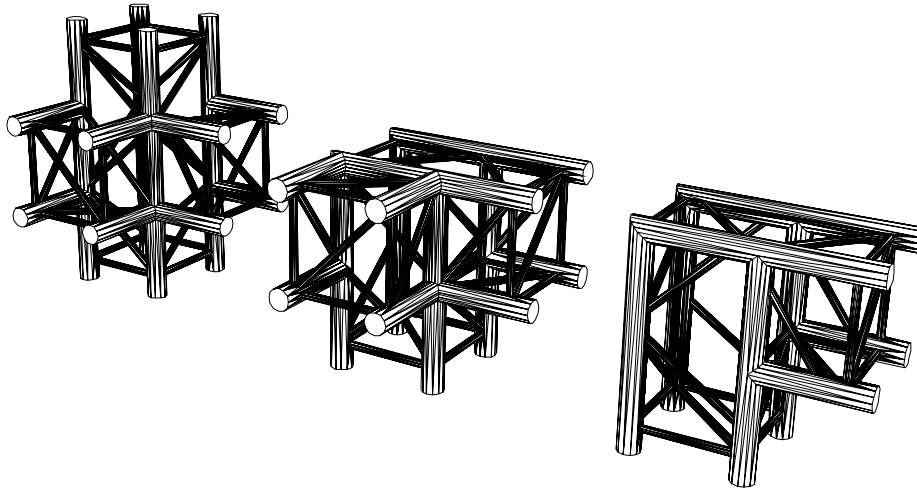


Truss

Exhibition Truss System

New to our hire range we have introduced exhibition truss for hire the modular system is available on dry hire as well as an installation service.

Truss corners are available in a number of different versions we also hold in stock box corners which give you a standard corner with up to six ways.



Exhibition trussing is available in various Lengths from 5 mm inserts to 5 meters lengths for more information please call the hire desk .

Engineering

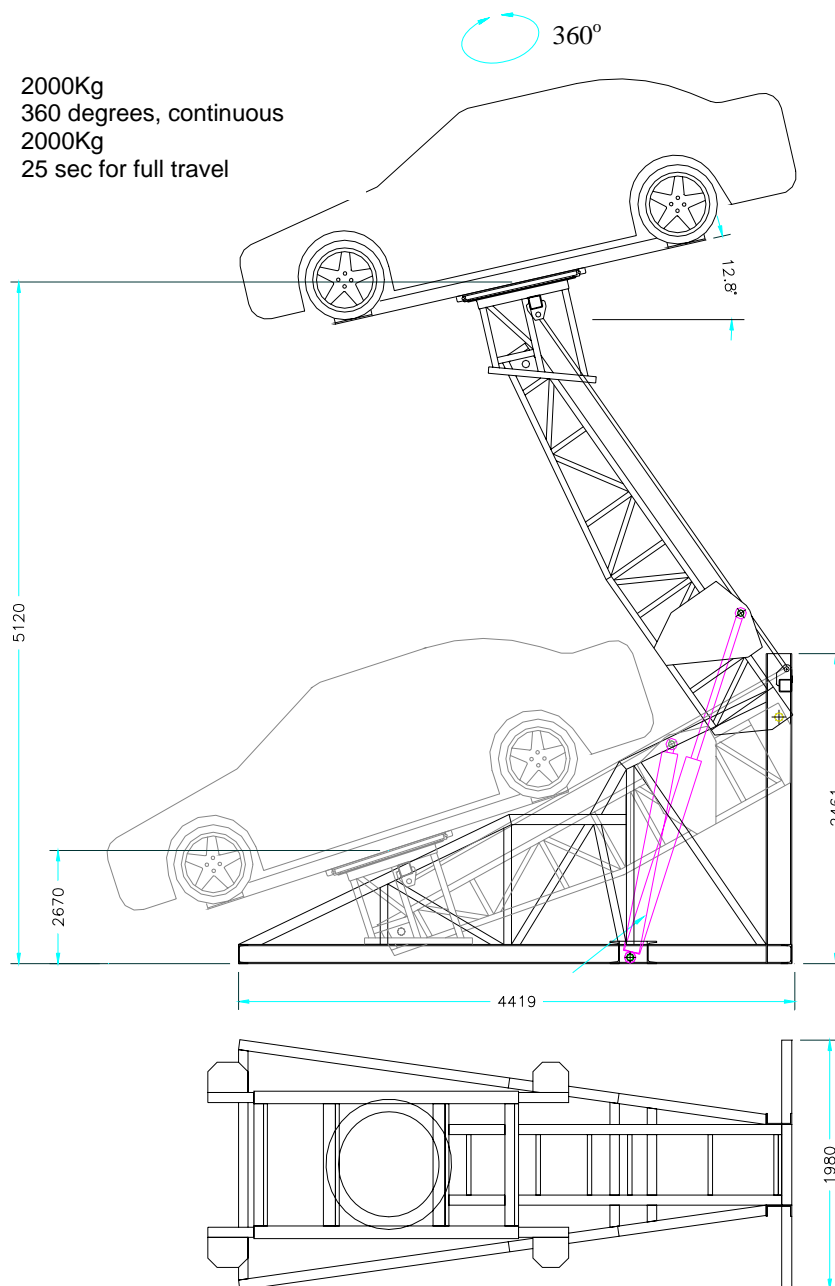
Hydraulic revolving car lift

Shown below is a hydraulic car lift capable of lifting a car 5 metres high and revolving it through 360 degrees.

As with all stock products this item is available for hire or a customised version can be built to order.

Specification:
 Lifting Capacity
 Rotation
 Rotation Capacity
 Max Speed

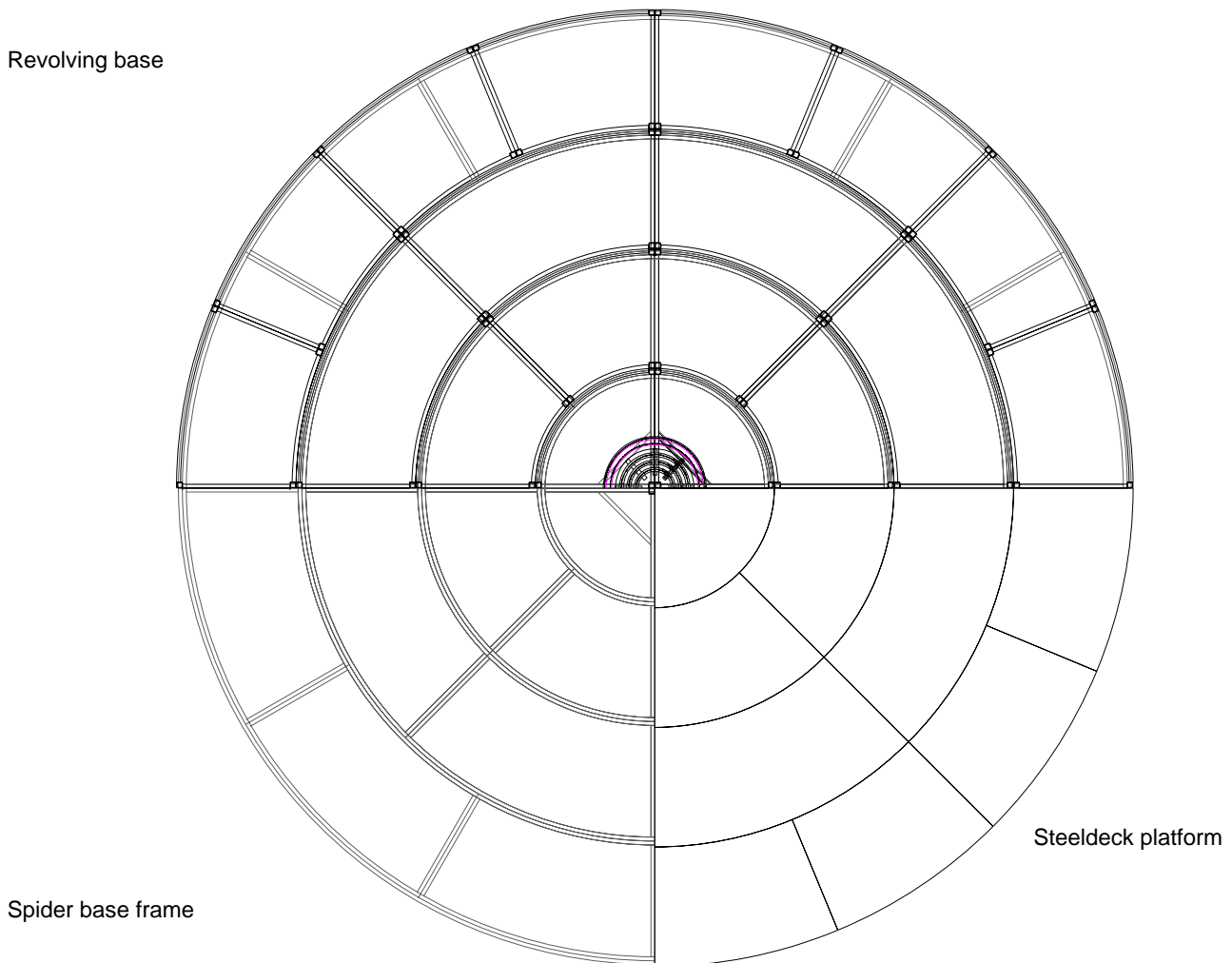
2000Kg
 360 degrees, continuous
 2000Kg
 25 sec for full travel



Steeldeck revolve

The steeldeck revolve unit is designed to complement the existing range of circular steeldeck. Diameters available are 8', 16', 24' and 28'.

It is possible to vary the height of the turntable above the base using standard steeldeck legs. The provision of a slip ring at the centre of the turntable allows power to be supplied to the top of the revolving stage.

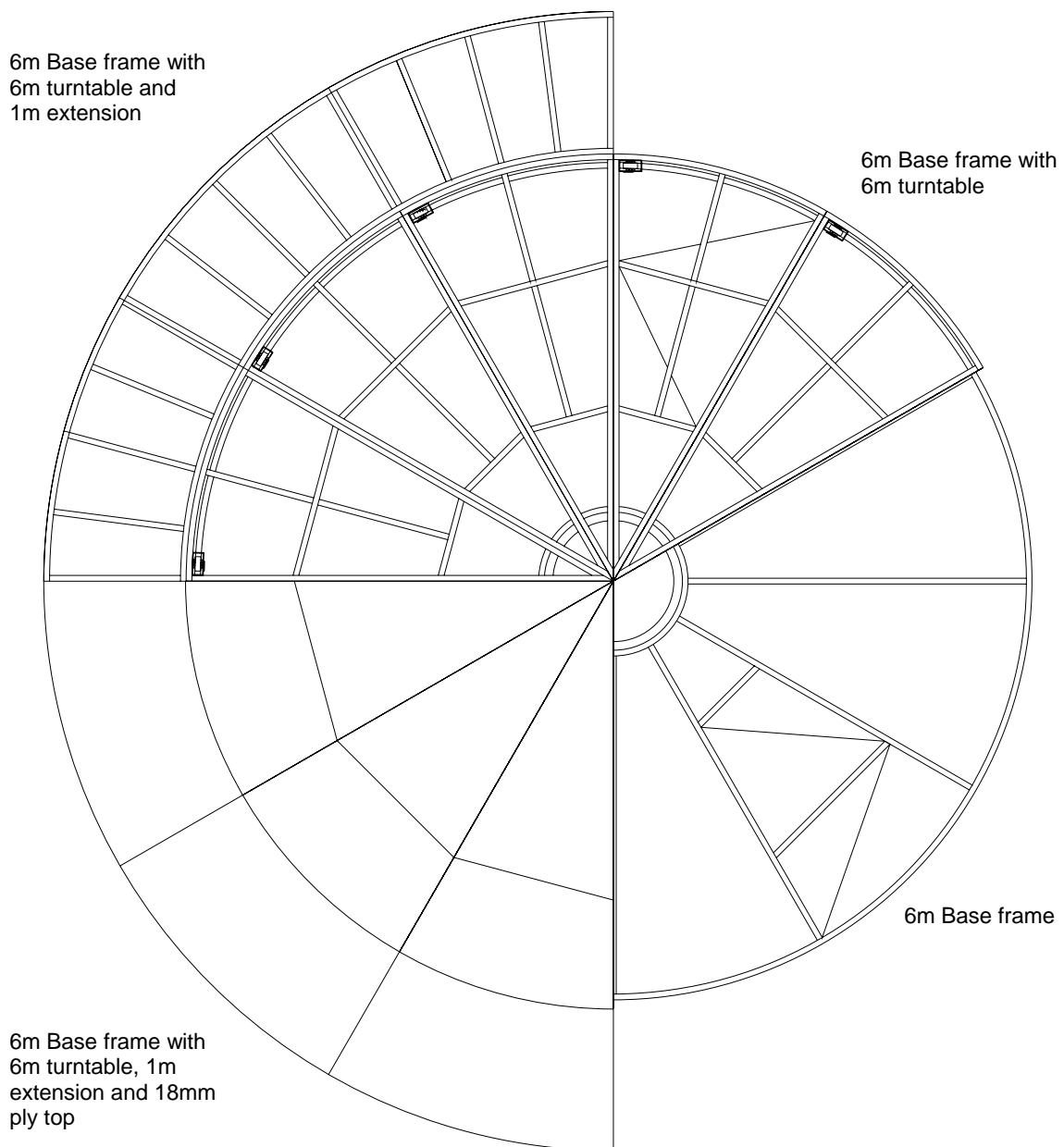


Standard revolve

The 6m revolve consists of a spider frame base, the turntable is cable driven & finished with 18mm plywood. When complete the revolve unit has a minimum height of 200mm.

A 1m extension is available for both the base and the turntable to give an 8m diameter revolve.

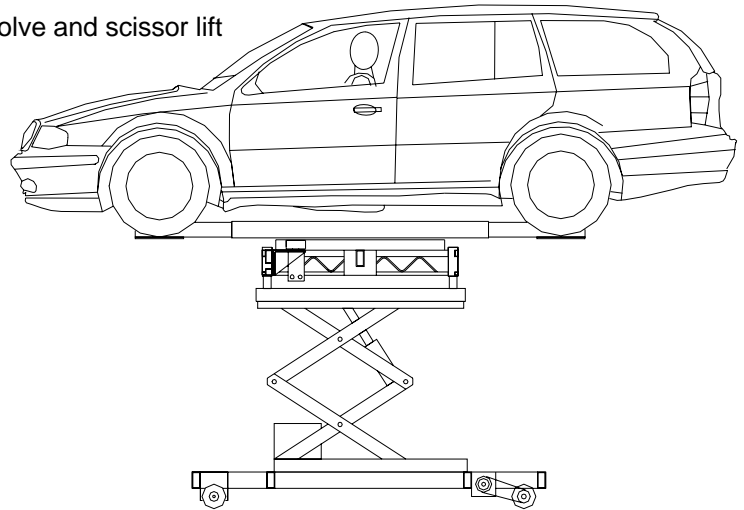
Additional extensions are available to order.



Mechanical lifts and trucks

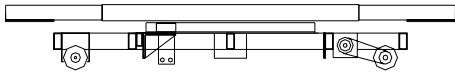
Examples of equipment designed that integrate with our steeldeck system or are used independently.

Combination truck, revolve and scissor lift

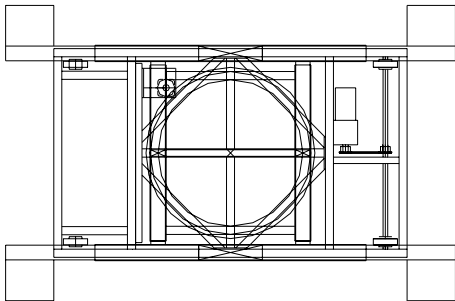


Trucking car revolve

Side elevation

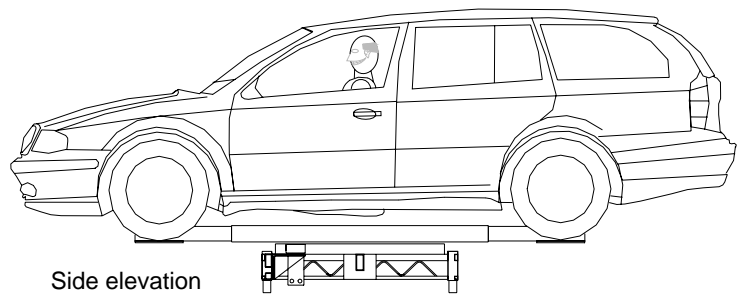


Plan view



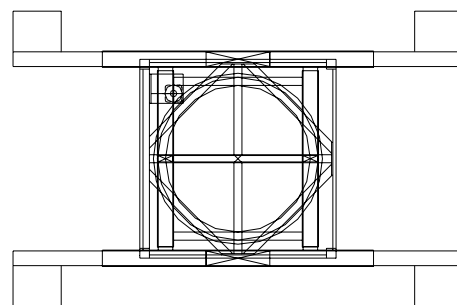
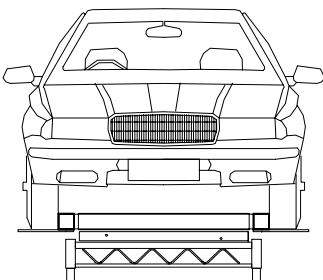
Side elevation

H-Frame revolve



Side elevation

Front view with car

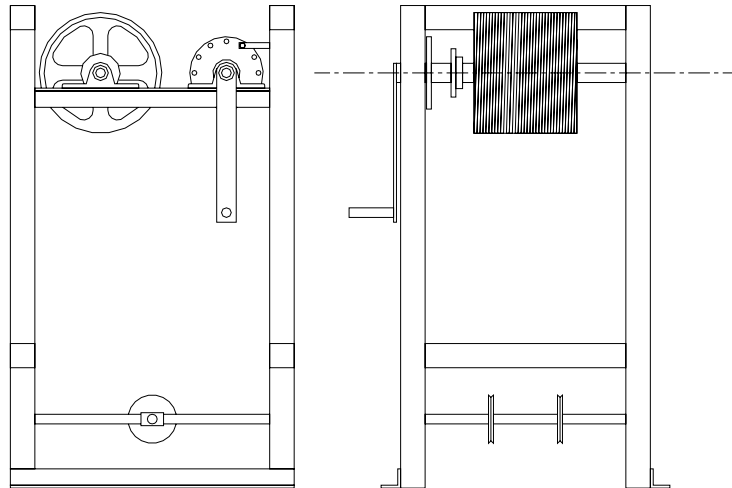


Plan view

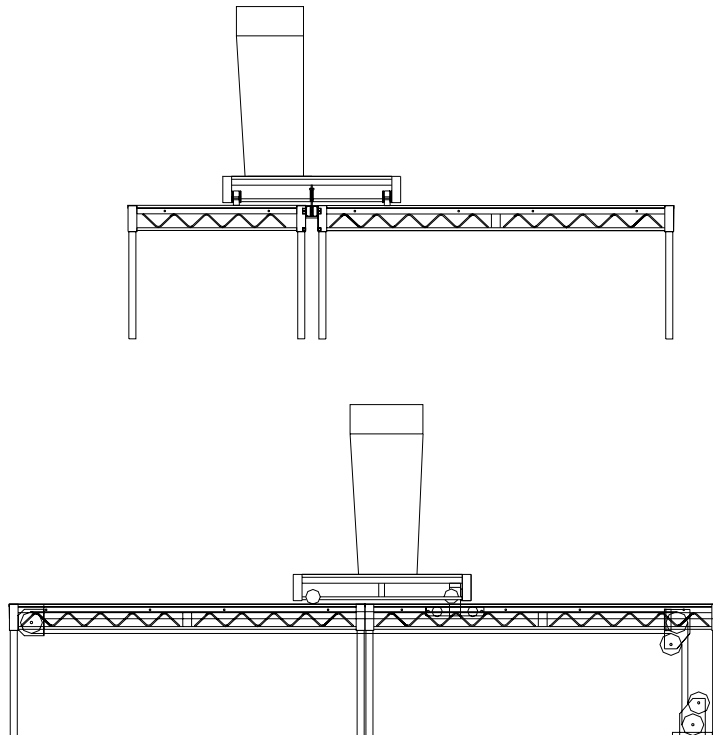
Stage Winches

These manually operated stage winches are available for hire and sale and are used to move scenic flying pieces, trucks and small revolves.

Motorised versions available



Hand-winch lectern truck
integrated into steeldecks.



Temporary Structures

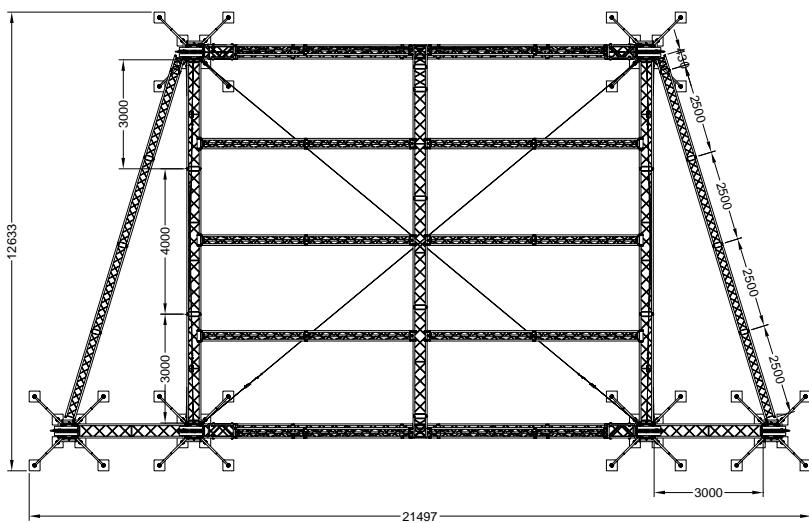
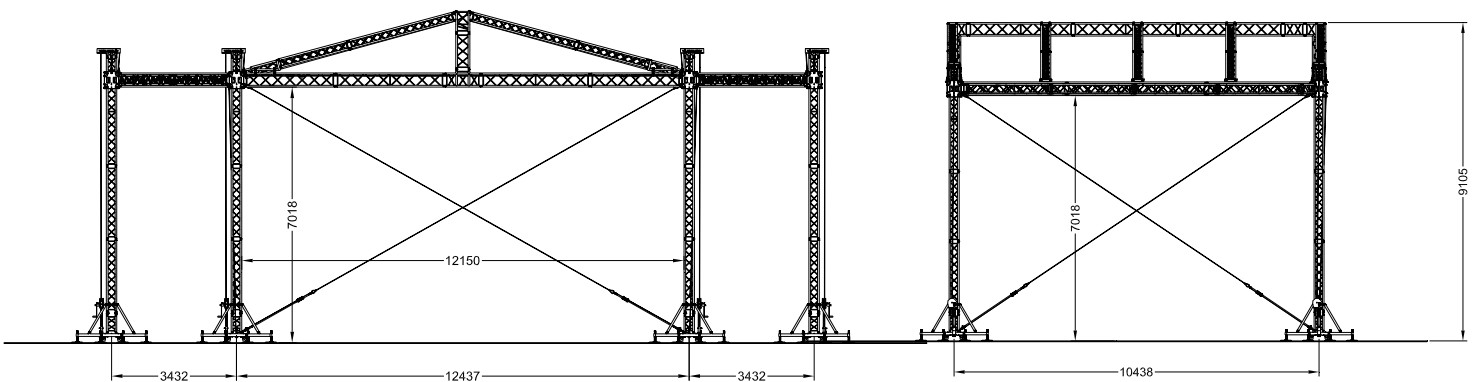
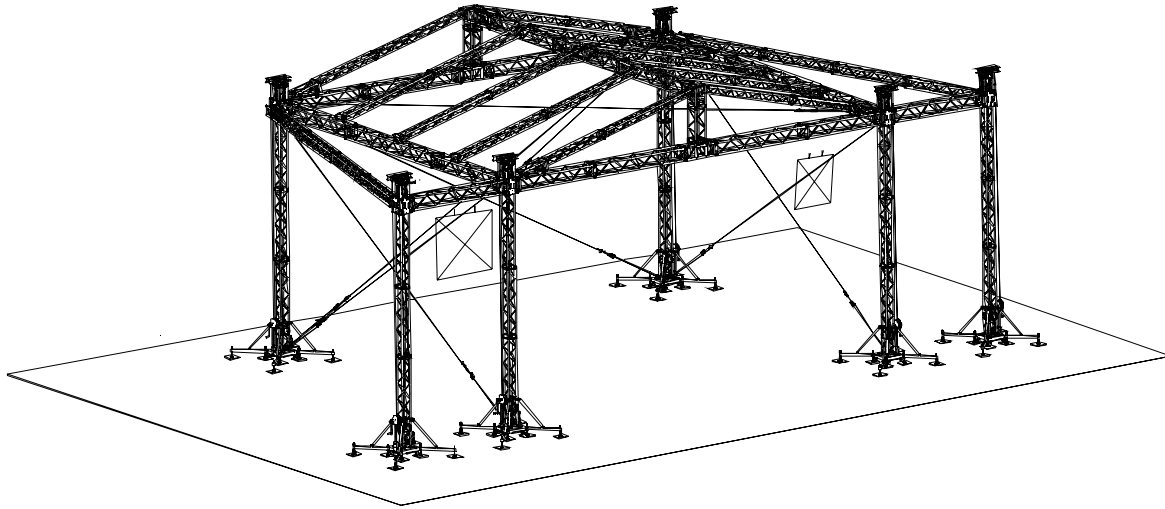
Truss Stages

A Top Shop event in Custard Square featuring Star Sailor.

For this event a steel deck stage was built in a pond. A truss structure with PVC covers was then built to protect the performers from the November elements.

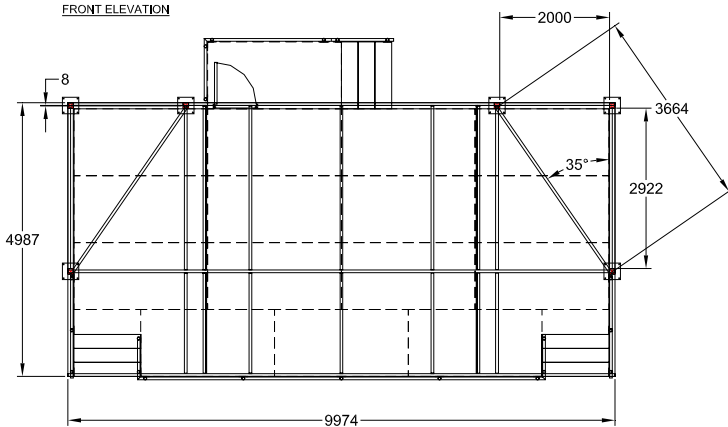
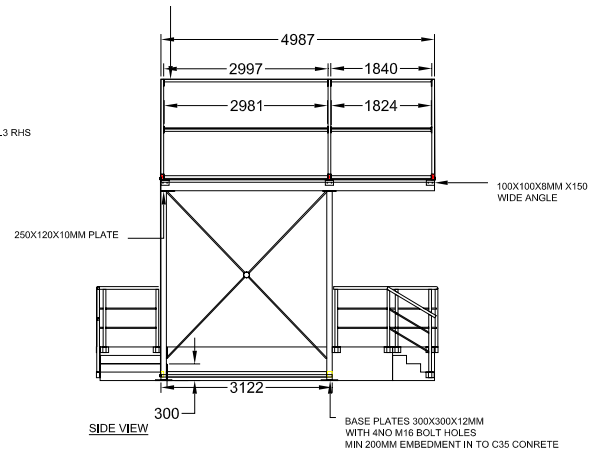
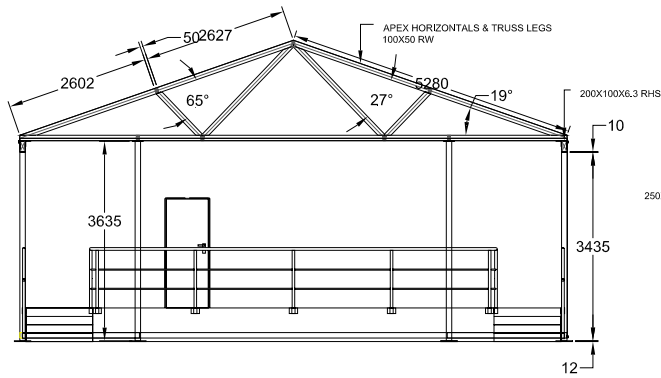
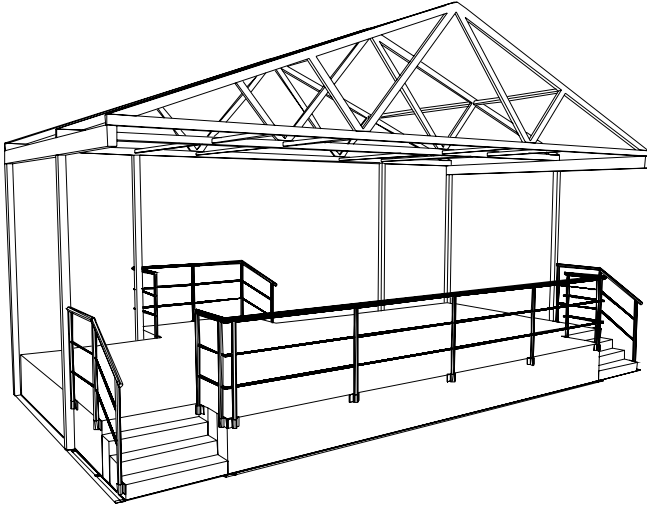


Outdoor Structures



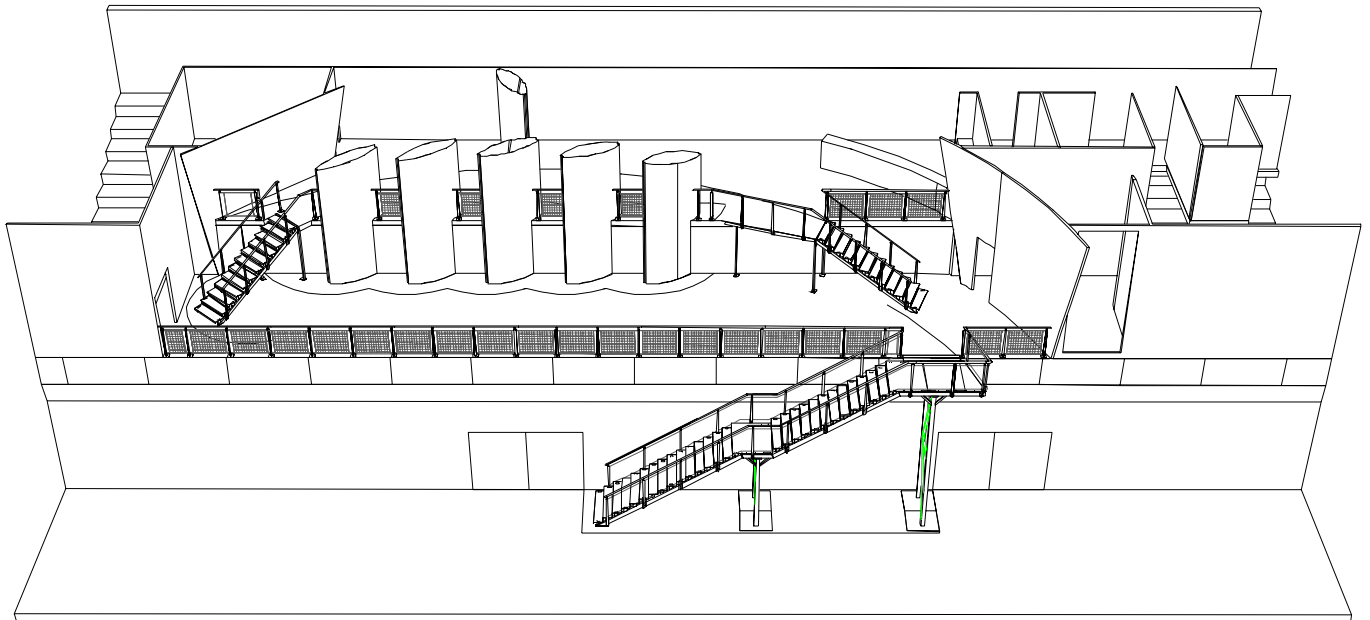
Versatile staging roof covers ranging from 8m-6m to 10mx12m

Semi Permanent Structures

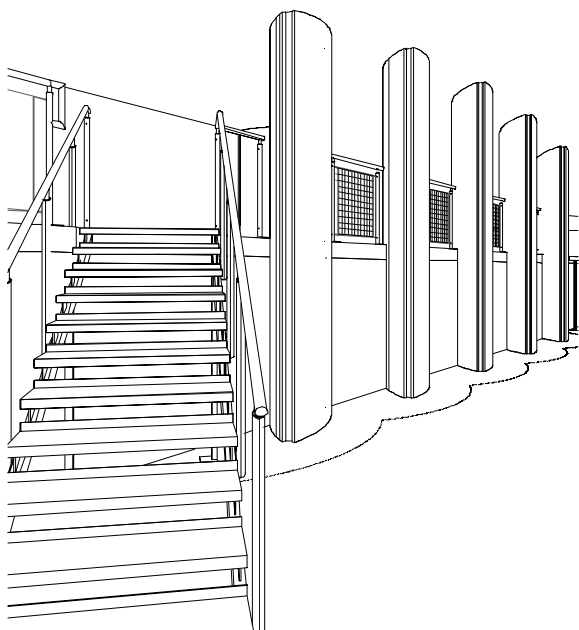


Exhibitions

Energis, Brighton



Virtual



Reality



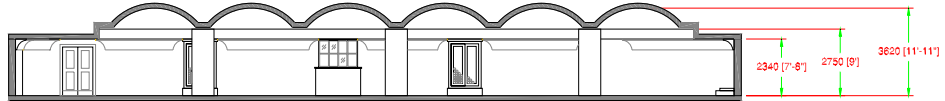
Nintendo @ Game Stars Exhibition



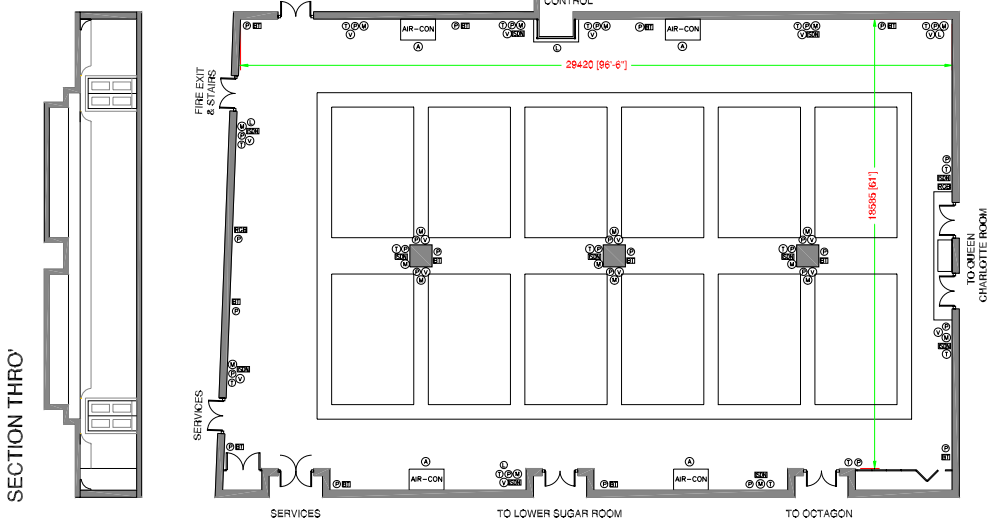
Draughting
Design &
Visualisation

Venue Drawings

SECTION THRO'



PLAN



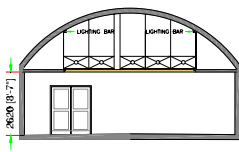
INFORMATION

POWER	
NUMBER OF 13A SOCKETS	30
3-PHASE AVAILABLE	YES
LIGHTING	
240V	YES
CONTROLS IN ROOM	YES
DIMMERS	YES
BLACKOUT	YES
SOUND	
SOUND SYSTEM FITTED	YES
ACCESS	
GOODS LIFT & STAIRS	
MISCELLANEOUS	
TELEPHONE POINTS	10
HEIGHTS	
MAX.	2760
MIN.	2280

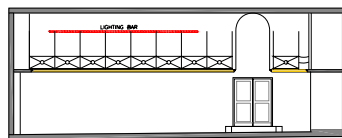
- KEY**
- ⊕ POWER
 - ⊕ 3 PHASE
 - ☎ TELEPHONE
 - Ⓜ MIC INPUTS
 - Ⓛ LIGHTING CONTROL
 - Ⓛ VIDEO POINT
 - Ⓛ RIB & PVC
 - Ⓛ SON

NOTE - ALTHOUGH EVERY EFFORT HAS BEEN MADE TO ENSURE THAT THE INFORMATION CONTAINED IN THIS DRAWING IS CORRECT, WE STRONGLY RECOMMEND THAT THEY ARE USED IN CONJUNCTION WITH SITE REQUIREMENTS TO INSURE YOUR REQUIREMENTS ARE MET

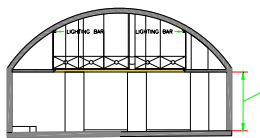
END ELEV.



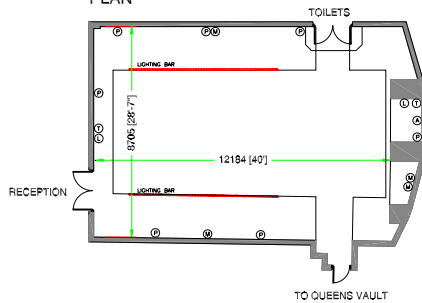
SECTION THRO'



END ELEV.



PLAN



KINGS VAULT

INFORMATION

POWER	
NUMBER OF 13A SOCKETS	7
3-PHASE AVAILABLE	YES
LIGHTING	
240V	YES
CONTROLS IN ROOM	YES
DIMMERS	YES
BLACKOUT	YES
SOUND	
SOUND SYSTEM FITTED	NO
ACCESS	
GOODS LIFT & STAIRS	
MISCELLANEOUS	
TELEPHONE POINTS	2
HEIGHTS	
MAX.	2760
MIN.	2570

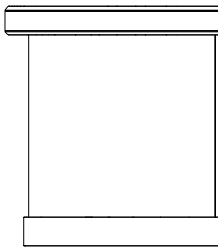
KEY

- ⊕ POWER
- ⊕ 3 PHASE
- ☎ TELEPHONE
- Ⓜ MIC INPUTS
- Ⓛ LIGHTING CONTROL

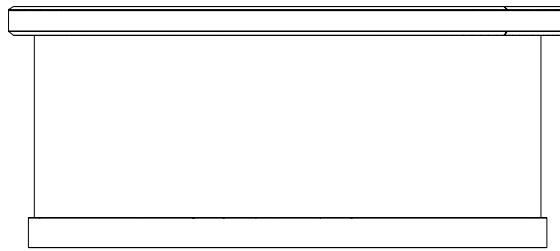
Construction Drawings

One of the many services offered by the Draughting department is the production of full working drawings.

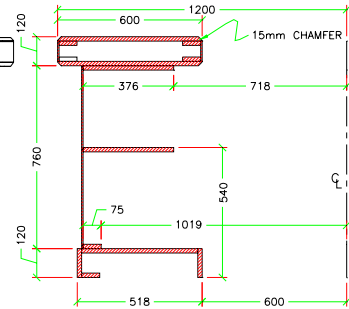
Side elevation



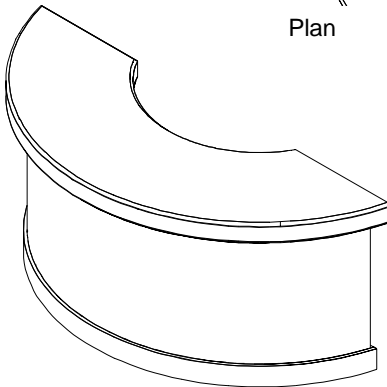
Front elevation



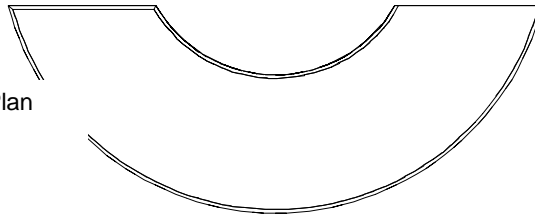
Section



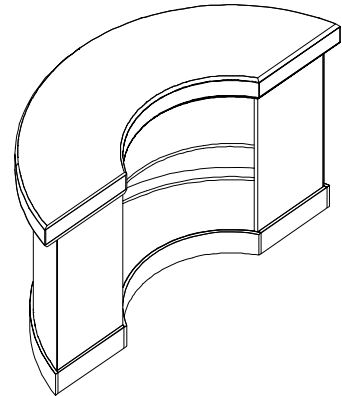
Isometric



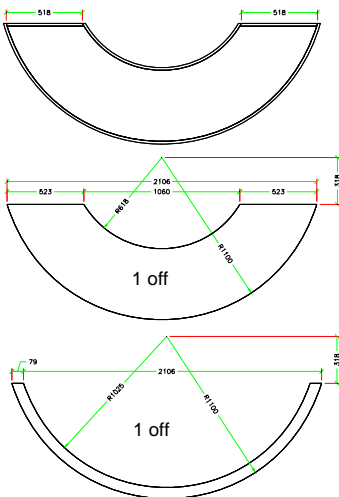
Plan



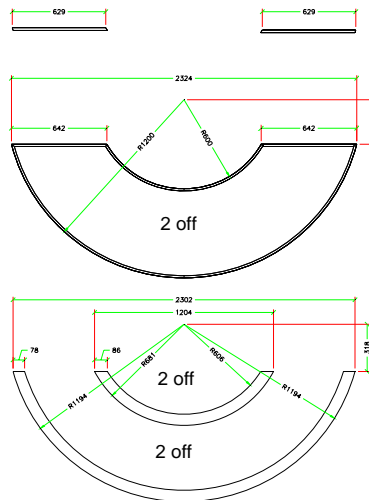
Isometric



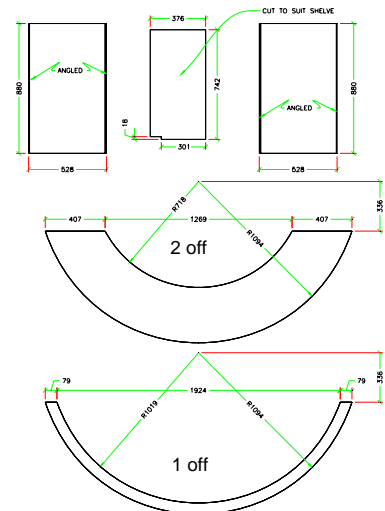
Base & formers



Top section & formers



Sides, centre support & formers



Presentation Drawings

Both 3d & 2d drawings can be produced, but to enhance the final drawings both swatches and photos applied to the drawings can be used to create mood boards giving a better representation in respect to the look & feel of the end product.

FRONT ELEVATION

3040

IMITATION OAK PANELING
TFT WITH PICTURE FRAME
AROUND IT

BREAK LINE BETWEEN
INTERIOR & EXTERIOR
DARK RED SUEDE

FULL COLOUR GRAPHIC OF
EXTERIOR OF HOUSE

PLAN VIEW

2000

6000

STORAGE

MOCK STONE SEAT

VELOUR PATTERNED CARPET

PLAN VELOUR COLOURED CARPET

square one

24 Grosvenor Way London E5 9ND
t: +44 (0)208 806 9292
f: +44 (0)208 442 4144
Email: Anthony@squareone.uk.com

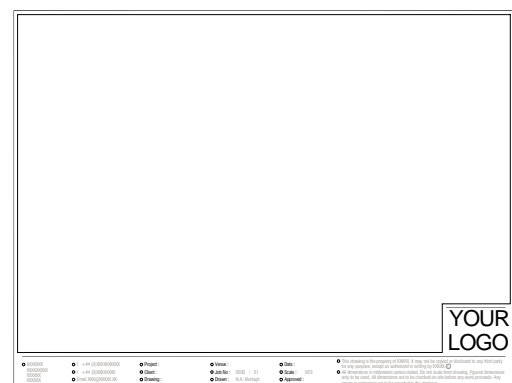
Project: EXHIBITION 06
Client: WARREN HOUSE
Drawing: PROP 1

Venue: TBC
Job No: TBA \ 01
Drawn: N A Murtagh

Date: 14.06.06
Scale: 1:50 @ A4
Approved:

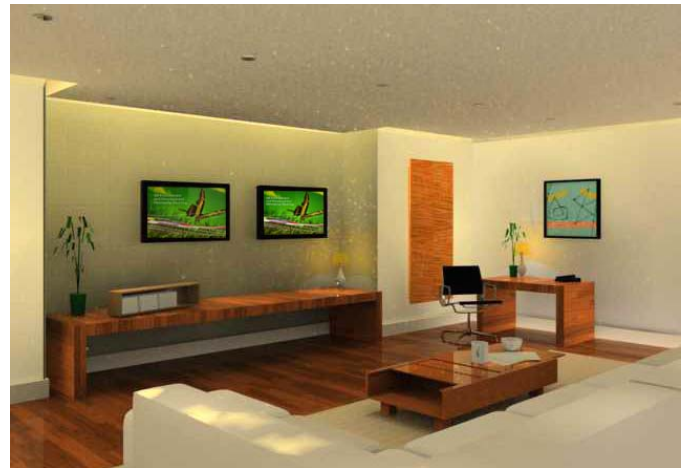
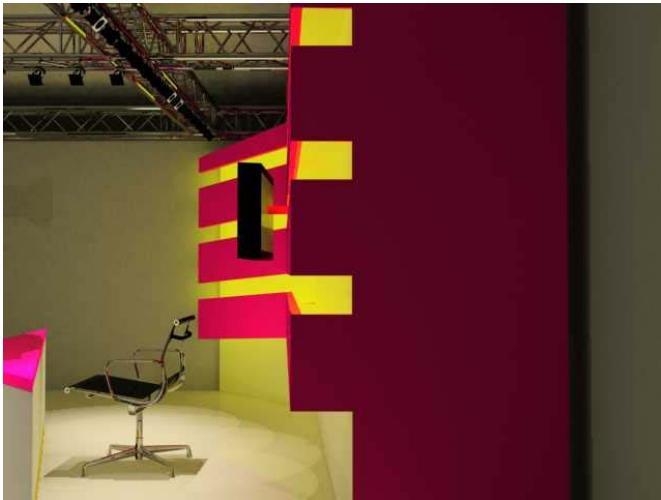
This drawing is the property of square one. It may not be copied or disclosed to any third party for any purpose, except as authorized in writing by square one. ©
All dimensions in millimeters unless stated. Do not scale from drawing. Figured dimensions only to be used. All dimensions are to be checked on site before any work proceeds. Any errors or omissions are to be reported to the designer.

Personalised bespoke drawing templates can be produced
These include a copyright statement, company details & logos



Design & Visualisation

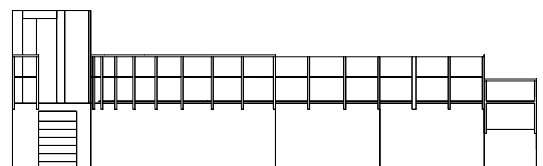
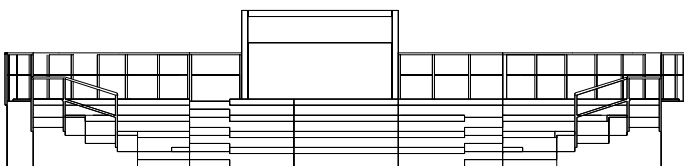
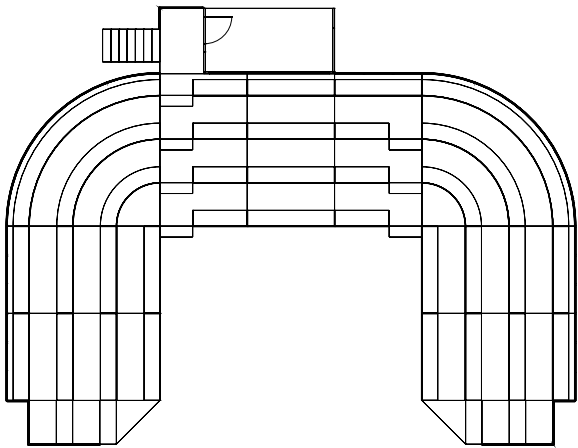
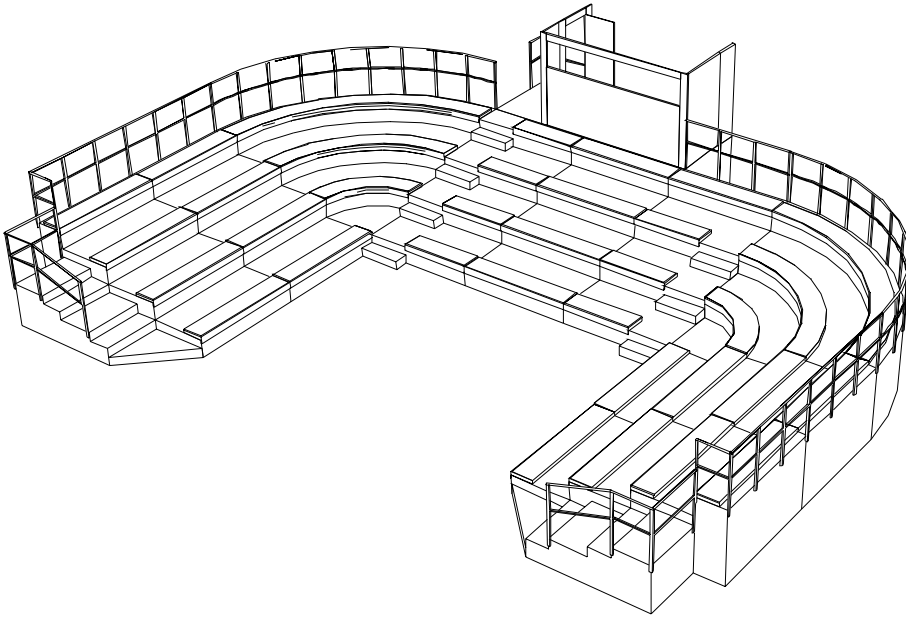
As well as 3D line drawings Square One also offers a design & visualisation service.



Staging

Modular Tiered Staging

Example of modular 'U' shaped staging arranged as a tiered seating block. The modular nature of the staging can be varied to suit a variety of uses.



Steeldeck

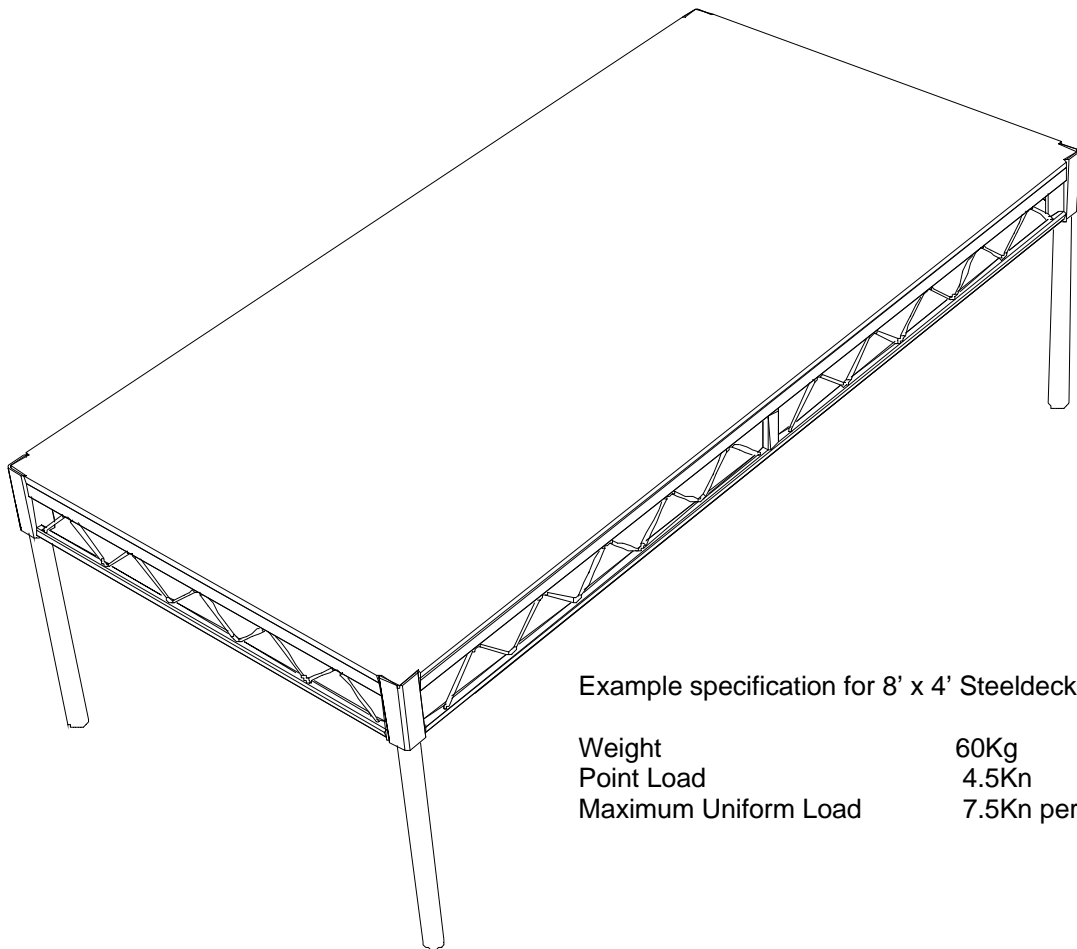
Steeldeck is a highly versatile modular staging system that can be configured to achieve a limitless number of stage layouts.

The stage pieces are constructed from a rigid steel truss frame with 18mm ply top & underfelted for soundproofing.

The legs are standard 48.3mm tube and are available in a variety of heights.

Accessories such as treads, fascias, bracing, wheels and handrails are available.

Steeldeck exceeds BS6399: Part 1: 1984: Table 7, the British Standard for staging.



Example specification for 8' x 4' Steeldeck

Weight	60Kg
Point Load	4.5Kn
Maximum Uniform Load	7.5Kn per m ²

Standard Steeldeck

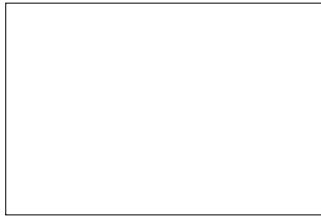
Rectangular Steeldeck is available from stock, for hire and sale, in the sizes shown below and can be combined with legs of any length to give the required configuration and design.

Non-standard sizes available to order.

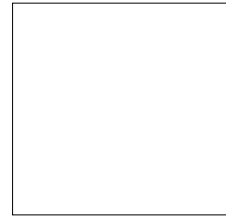
8' x 4' Steeldeck



6' x 4' Steeldeck



4' x 4' Steeldeck



8' x 3' Steeldeck



6' x 3' Steeldeck



4' x 3' Steeldeck



8' x 2' Steeldeck



6' x 2' Steeldeck



4' x 2' Steeldeck



8' x 1' Steeldeck



6' x 1' Steeldeck



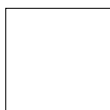
4' x 1' Steeldeck



3' x 2' Steeldeck



2' x 2' Steeldeck

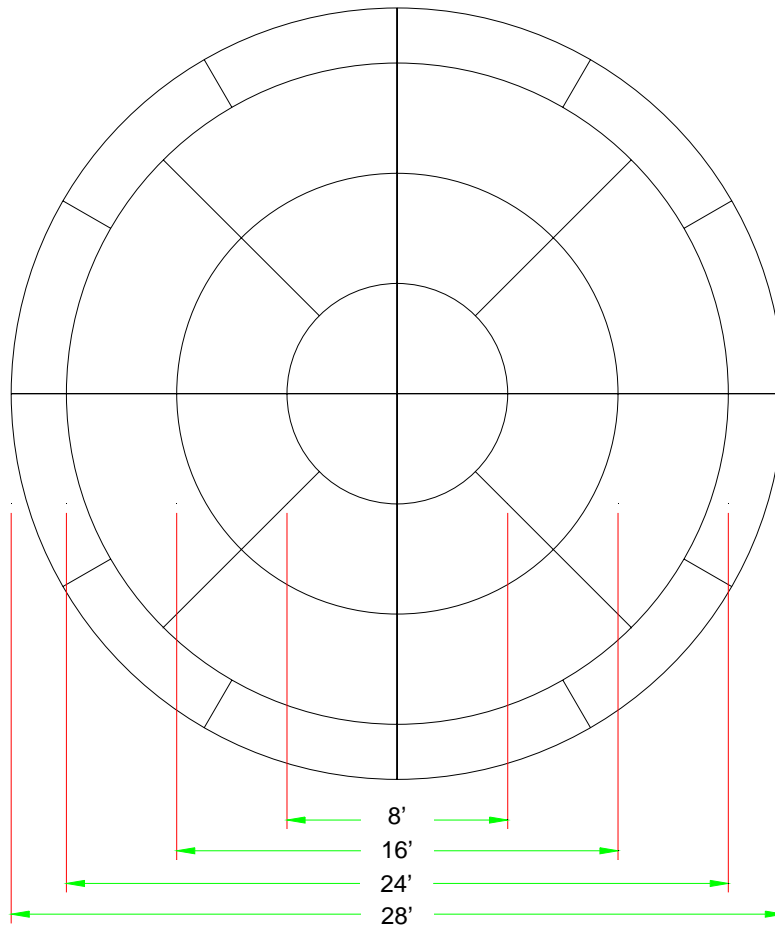


2' x 1' Steeldeck

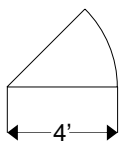


Circular Steeldeck

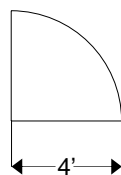
Circular Steeldeck is available from stock in the sizes shown below. They can easily be combined with standard rectangular and triangular Steeldeck to further increase the design possibilities.



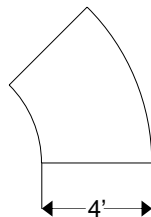
4' Radius Steeldeck (45°)



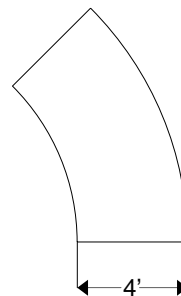
4' Radius Steeldeck



8' Radius Steeldeck



12' Radius Steeldeck

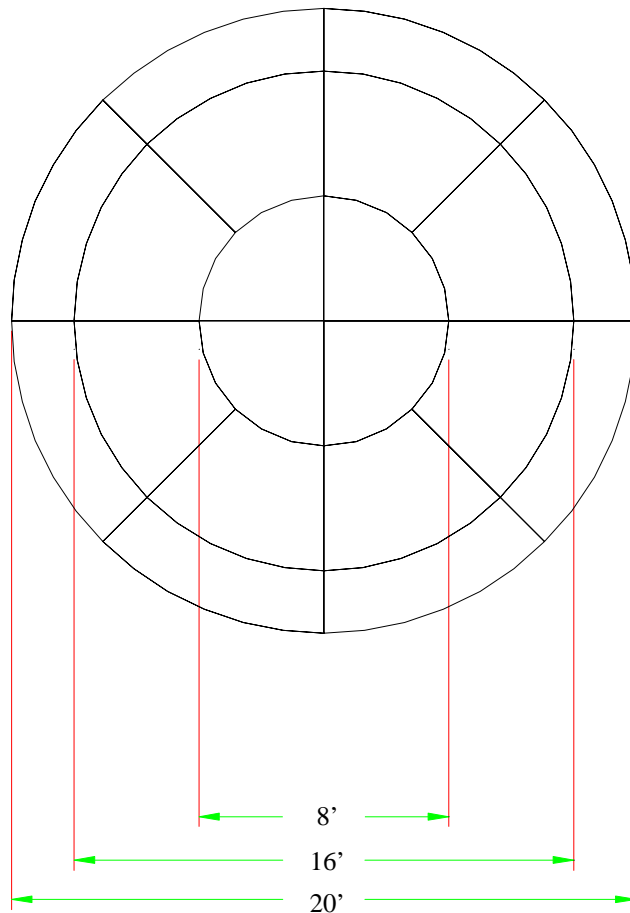


14' Radius Steeldeck

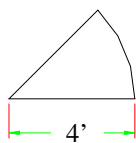


Circular Steeldeck

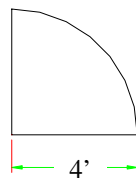
Circular Steeldeck is available from stock in the sizes shown below. They can easily be combined with standard rectangular and triangular Steeldeck to further increase the design possibilities.



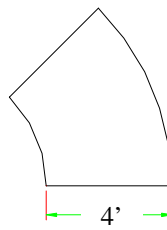
4' Radius
Steeldeck (45°)



4' Radius
Steeldeck



8' Radius
Steeldeck

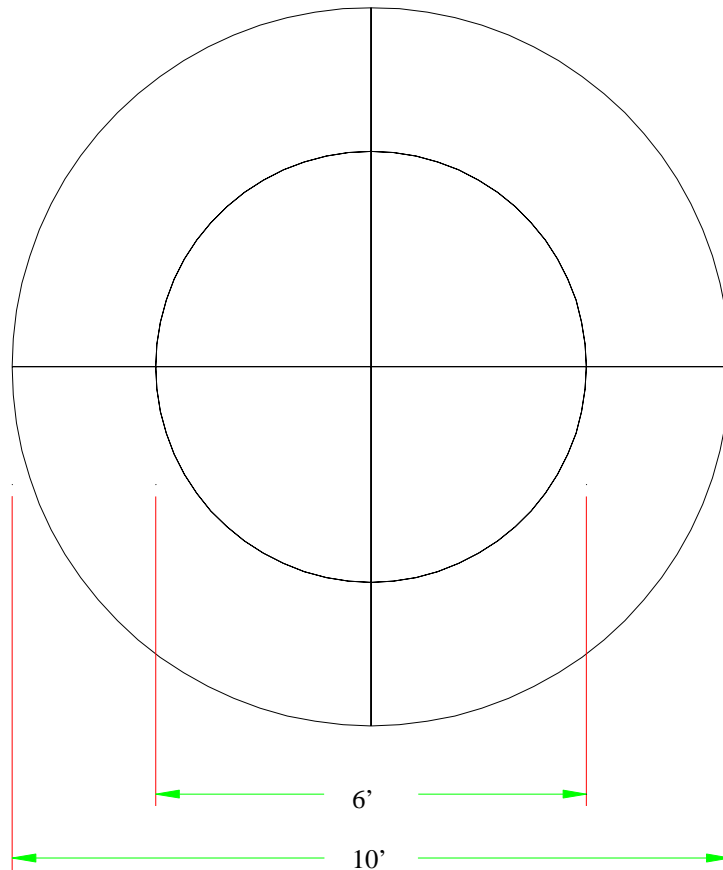


10' Radius
Steeldeck

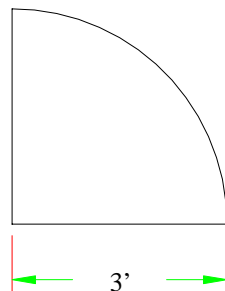


Circular Steeldeck

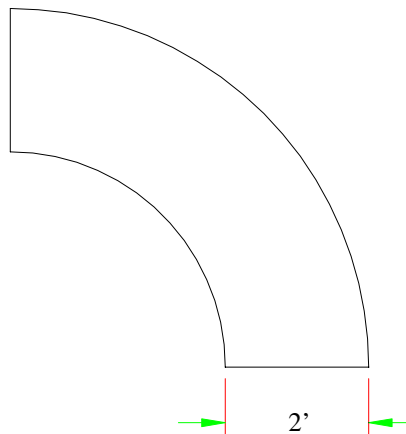
Circular Steeldeck is available from stock in the sizes shown below. They can easily be combined with standard rectangular and triangular Steeldeck to further increase the design possibilities.



3' Radius Steeldeck

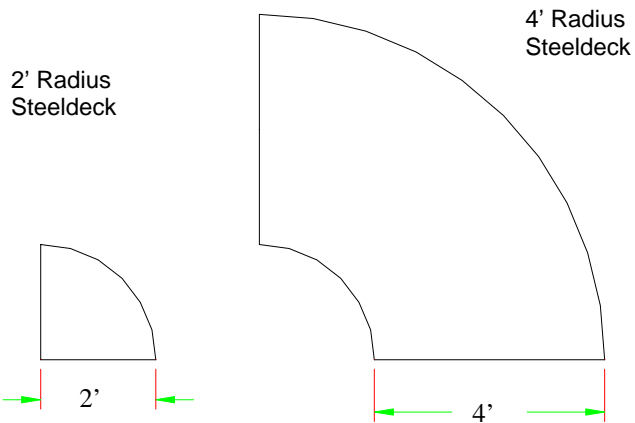
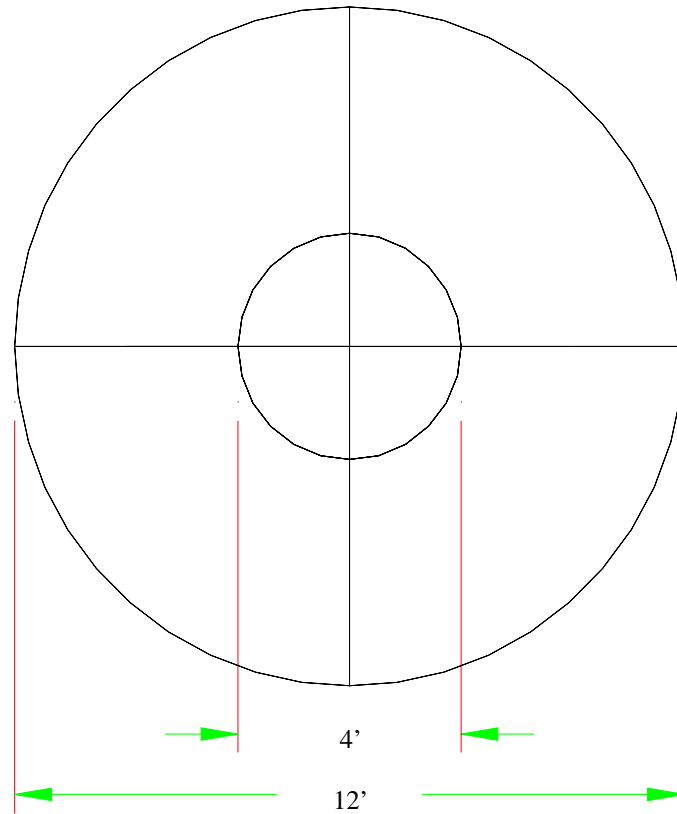


5' Radius Steeldeck



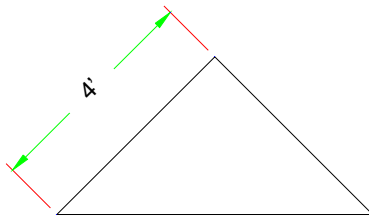
Circular Steeldeck

Circular Steeldeck is available from stock in the sizes shown below. They can easily be combined with standard rectangular and triangular Steeldeck to further increase the design possibilities.

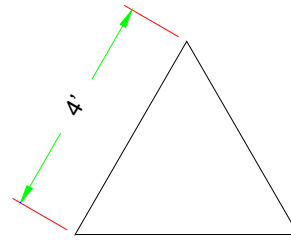


Triangular Steeldeck

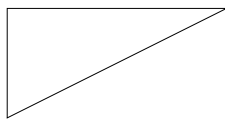
Triangular Steeldeck is available from stock in the sizes shown below. They can easily be combined with standard and circular Steeldeck to further increase the design possibilities.



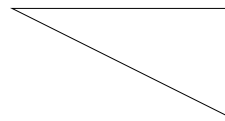
4' x 4' Steeldeck (90°)



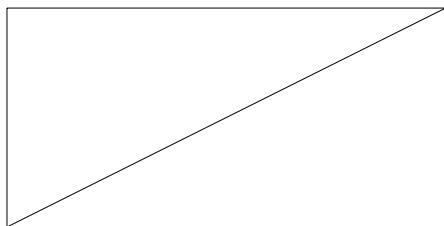
4' x 4' Steeldeck (60°)



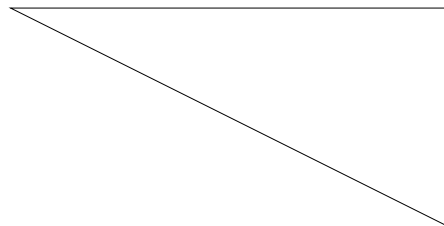
4' x 2' Steeldeck (RH)



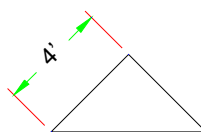
4' x 2' Steeldeck (LH)



8' x 4' Steeldeck (RH)



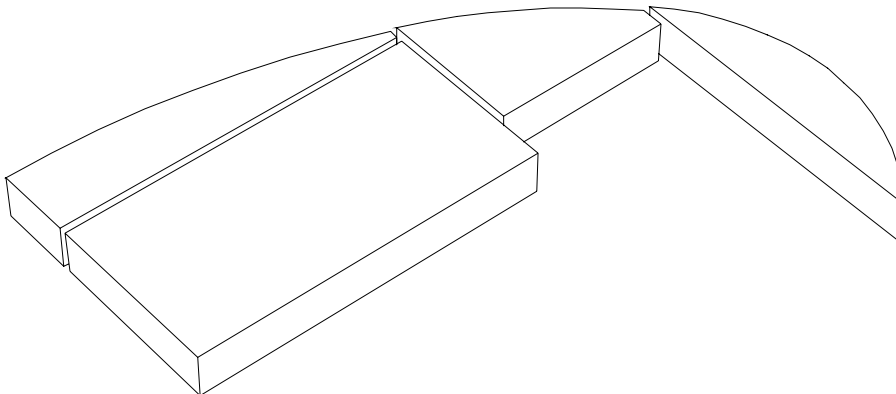
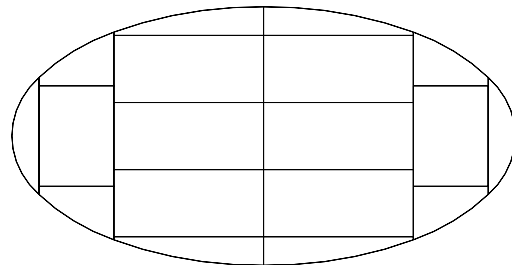
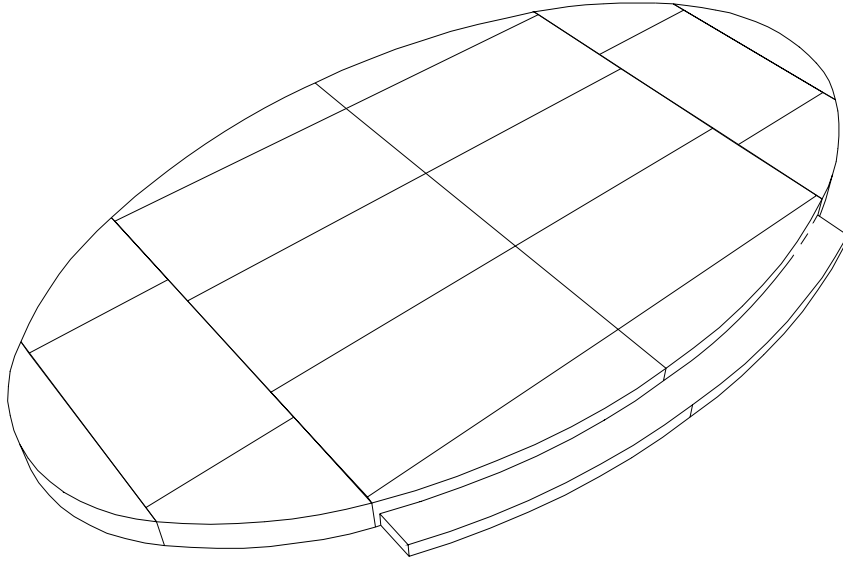
8' x 4' Steeldeck (LH)



2' x 2' Steeldeck (90°)

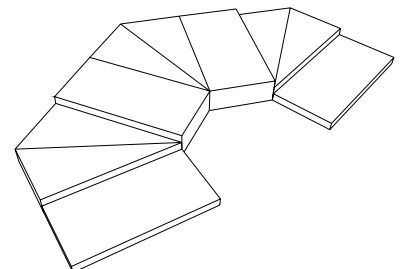
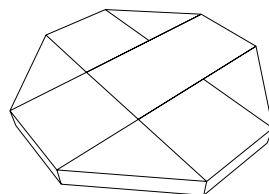
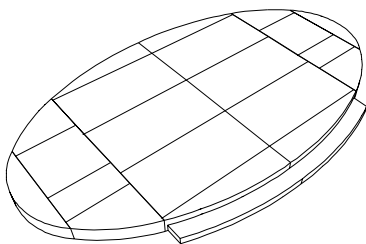
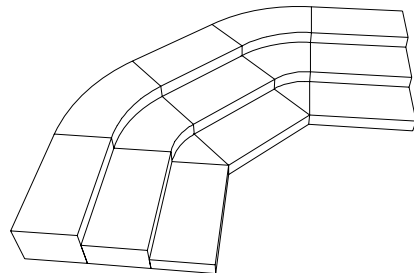
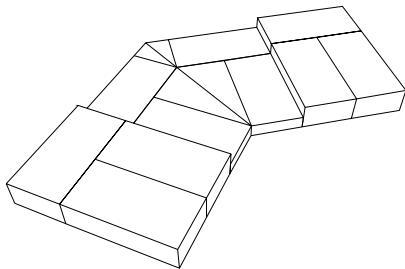
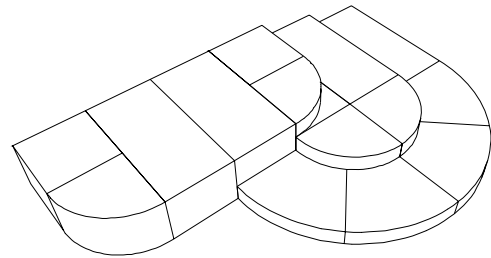
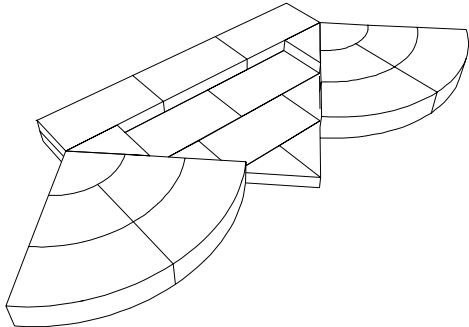
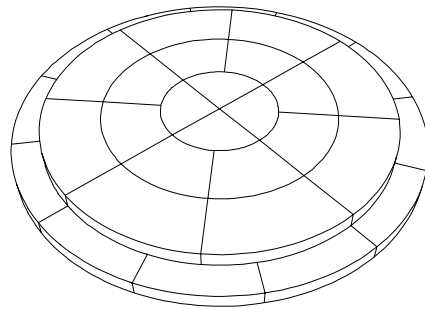
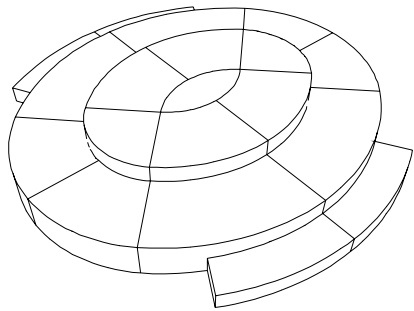
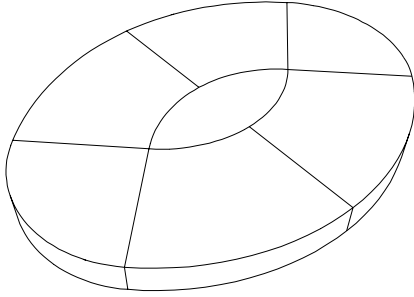
Elliptical Steeldeck

Elliptical Steeldeck pieces are available, which when combined with standard steeldeck pieces, forms an elliptical stage 27' x 15'5". The elliptical sections can also be used with all other types of Steeldeck .

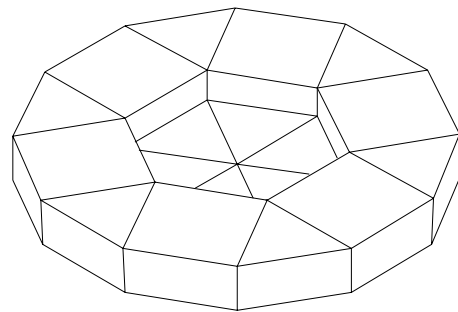
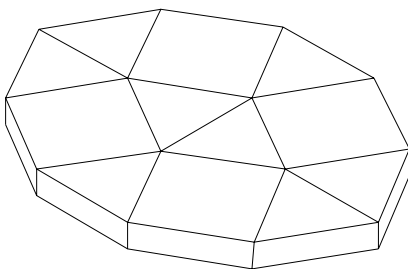
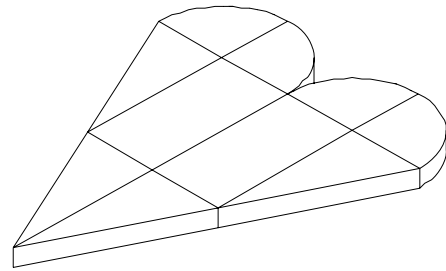
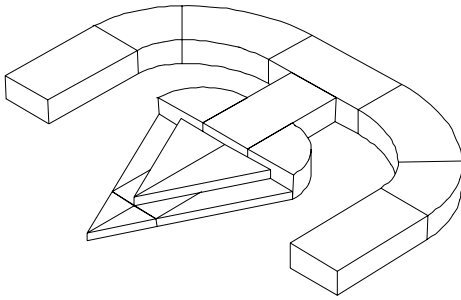
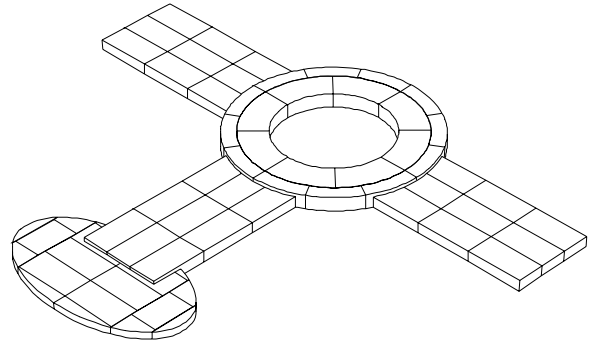
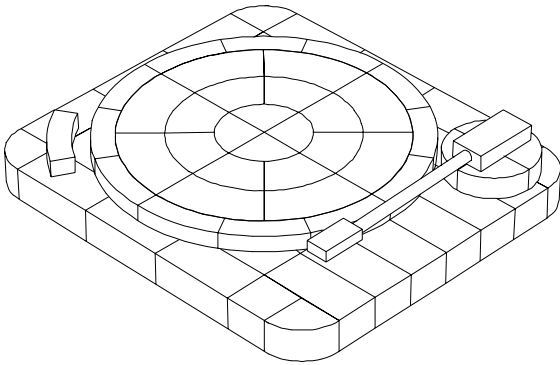
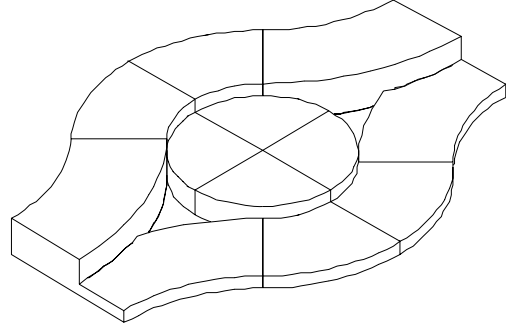
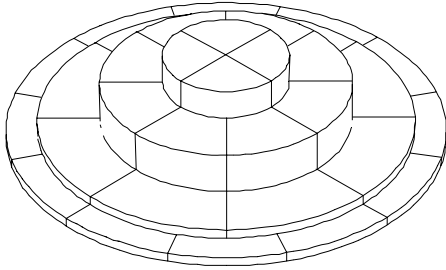


Various Steeldeck Stage Layouts

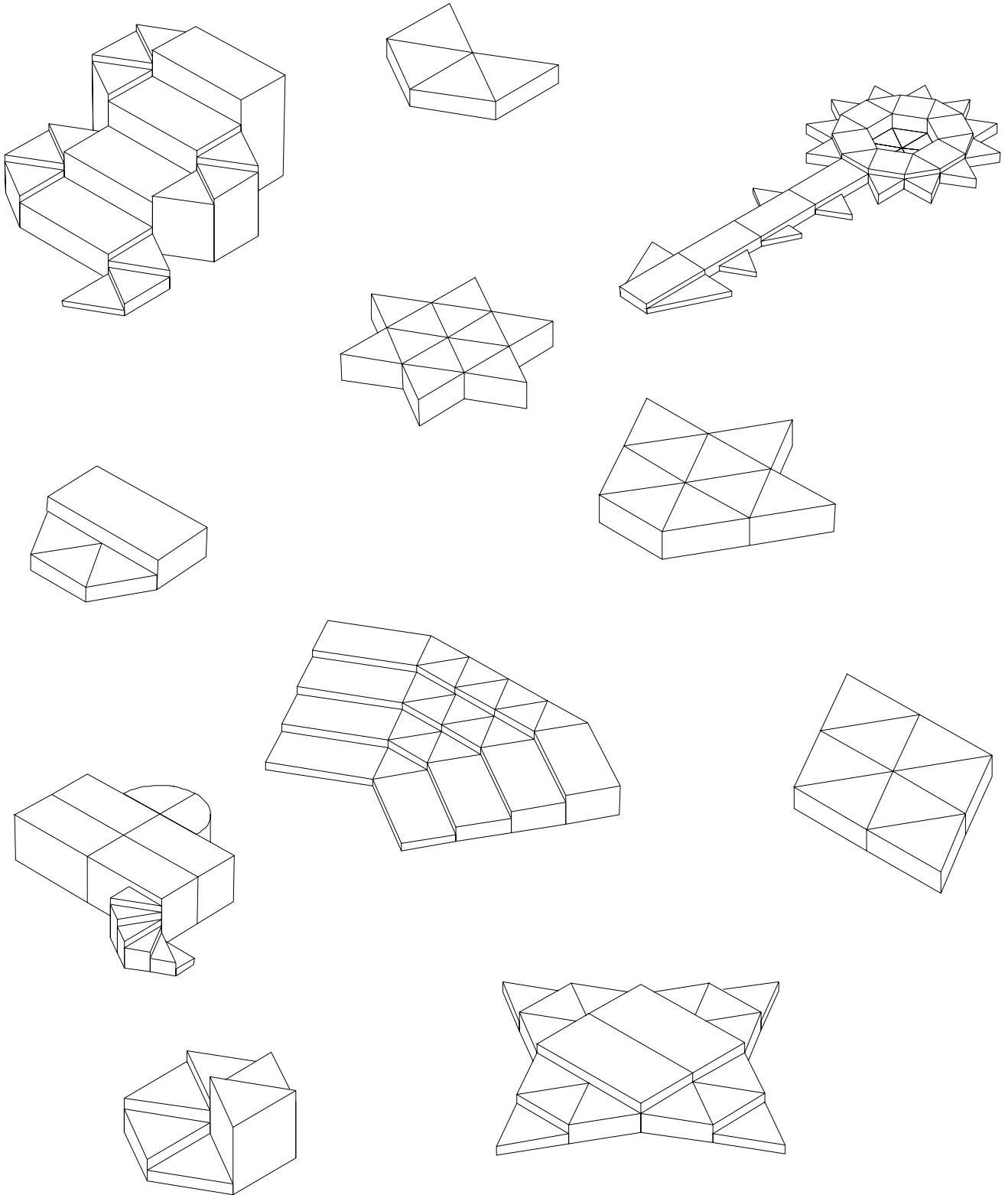
Shown here are several stage layouts that can be achieved using stock Steeldeck pieces.



Various Steeldeck Stage Layouts



Various Steeldeck Stage Layouts

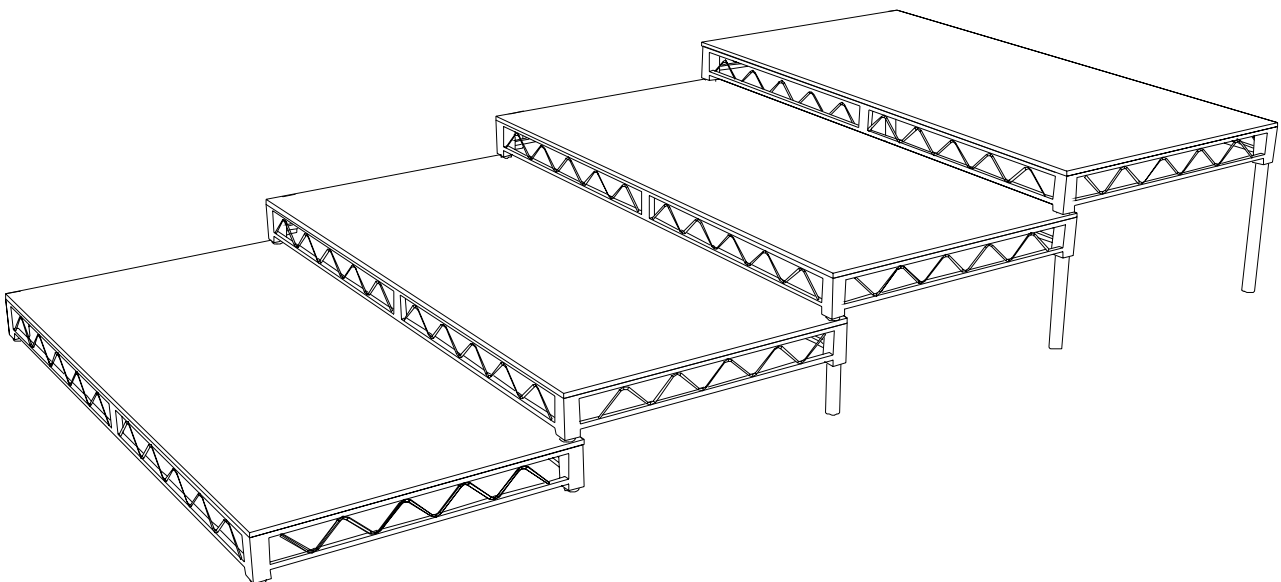


Steeldeck Legs

Steeldeck legs are made from standard 48.3mm tube. A large number of standard lengths are kept in stock which are available for hire and sale.

Standard legs available to give stage height:

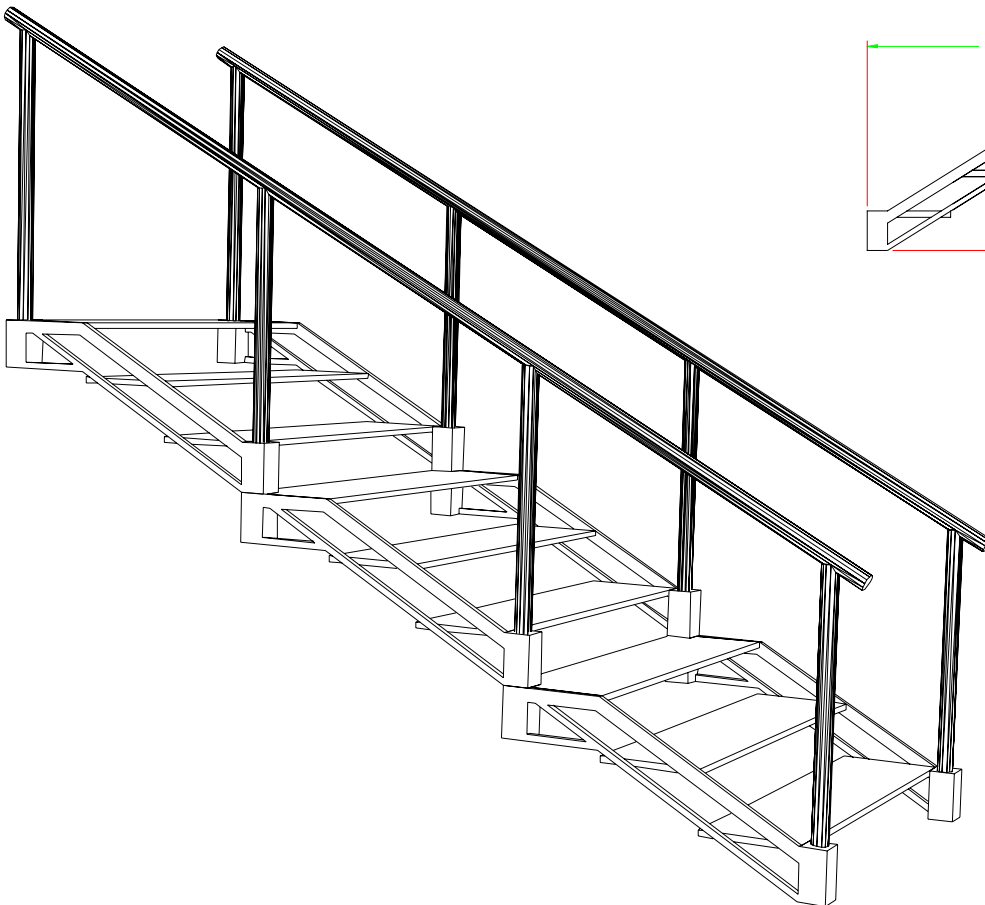
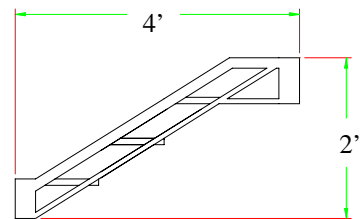
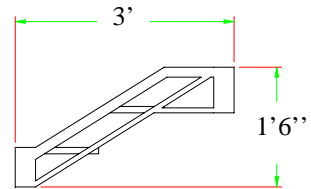
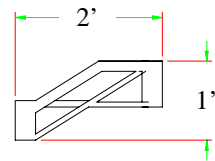
7.5"	(190mm)	3'3.25"	(1000mm)	5'7.5"	(1714mm)
1'	(305mm)	3'6"	(1067mm)	6'	(1829mm)
1'3"	(381mm)	3'7.25"	(1100mm)	6'3"	(1905mm)
1'6"	(457mm)	3'9"	(1143mm)	6'10.5"	(2096mm)
1'10.5"	(572mm)	3'11.3"	(1200mm)	7'	(2134mm)
2'	(610mm)	4'	(1219mm)	7'6"	(2286mm)
2'3.5"	(700mm)	4'3.25"	(1300mm)	8'1.5"	(2476mm)
2'6"	(762mm)	4'4.5"	(1333mm)	8'9"	(2667mm)
2'7.5"	(800mm)	4'6"	(1372mm)	9'	(2743mm)
2'11.5"	(900mm)	4'7"	(1400mm)	9'4.5"	(2857mm)
3'	(914mm)	4'11"	(1500mm)	10'	(3048mm)
3'1.5"	(952mm)	5'	(1524mm)		



When making a tiered stage the minimum step height is 7.5".

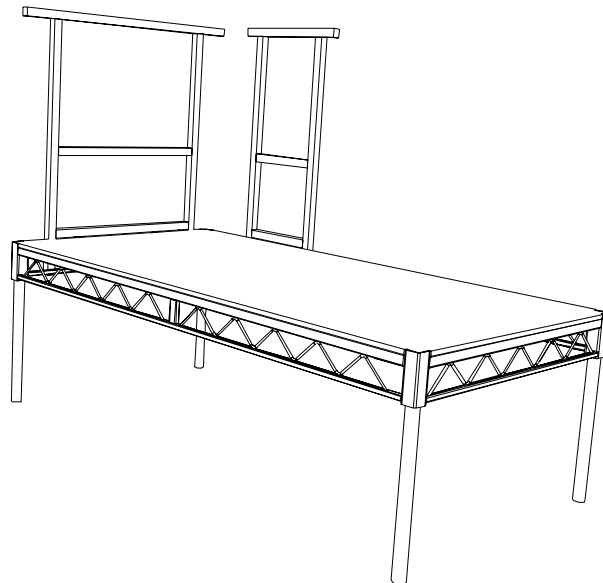
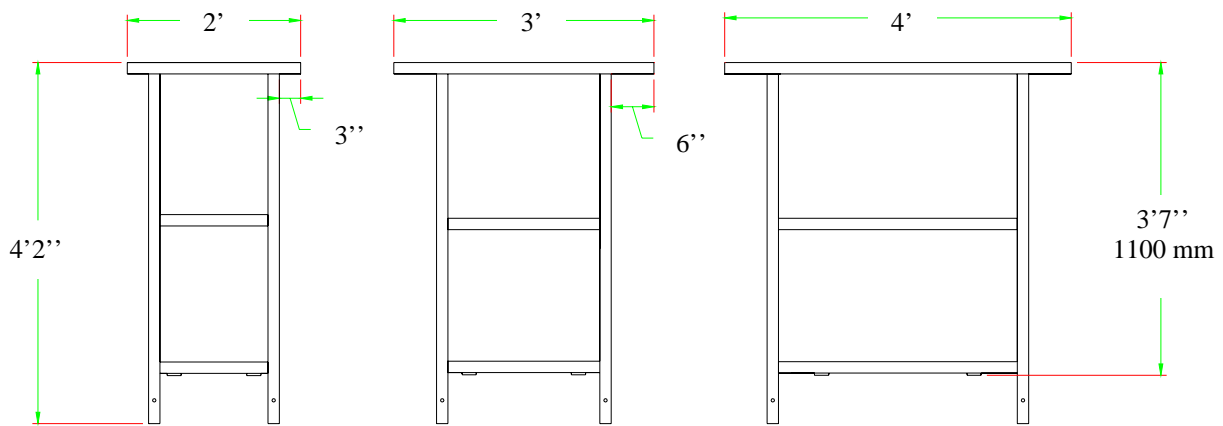
Modular Tread System

To compliment the range of Steeldeck a modular Tread system is available from stock for hire and sale. This provides a stackable system to achieve varying heights from our modular system



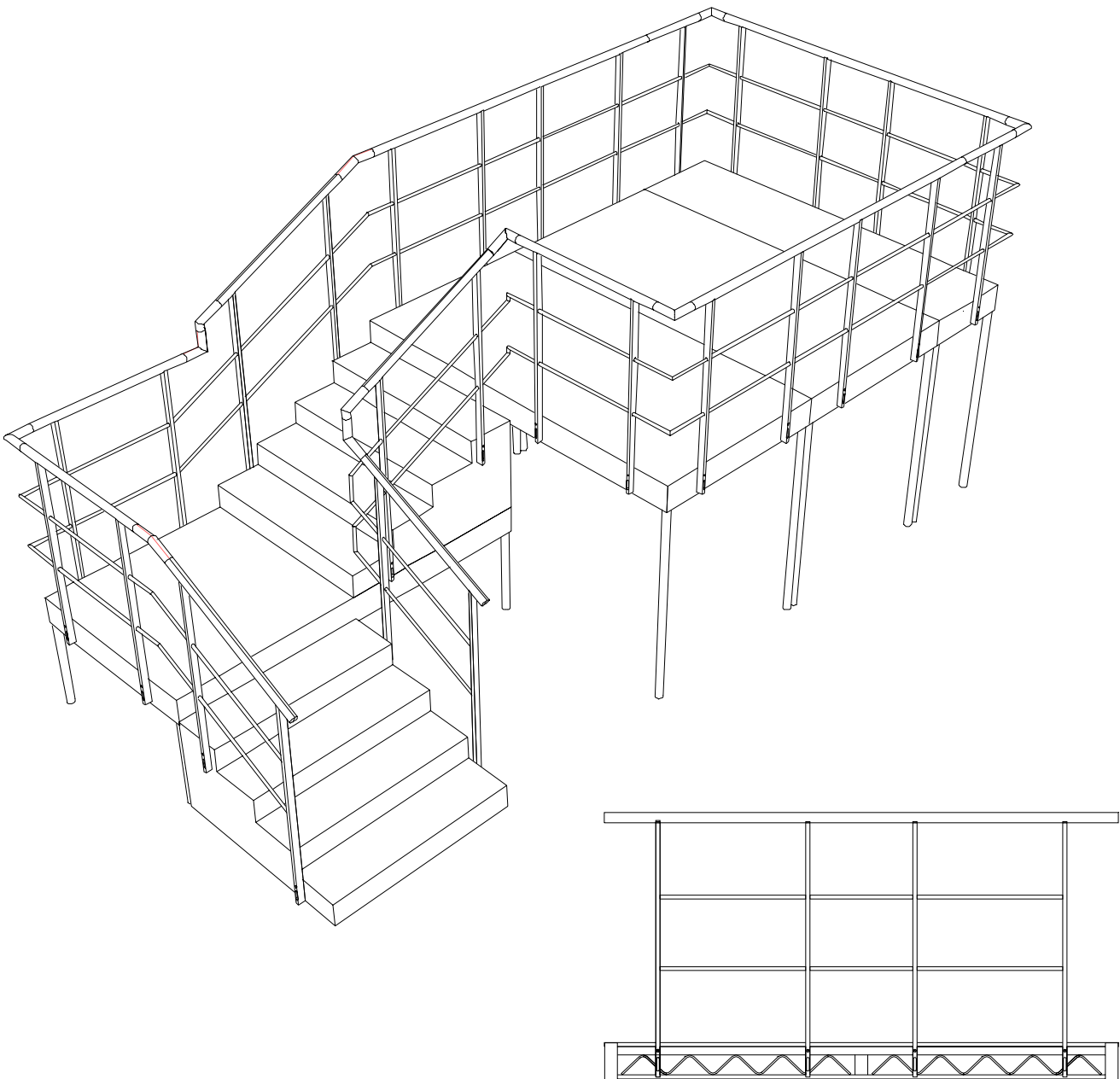
Standard Handrail System

To compliment the range of Steeldeck a standard handrail system is available from stock for hire and sale. This provides a 1100mm high handrail that can be configured to the design of the stage.

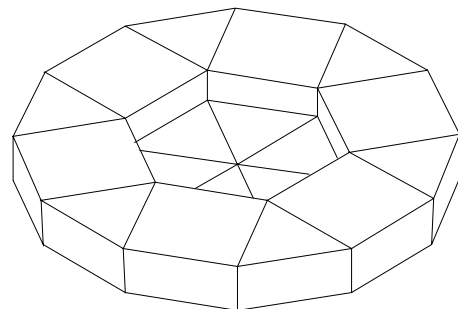
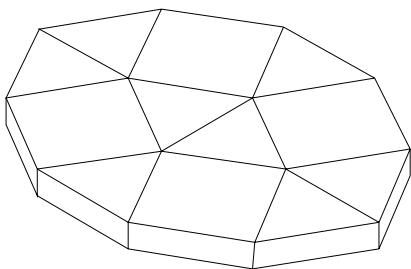
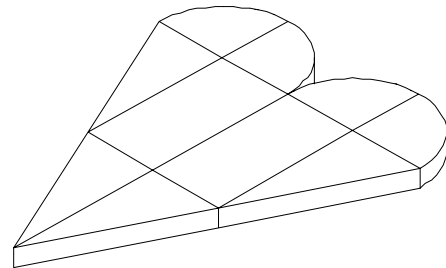
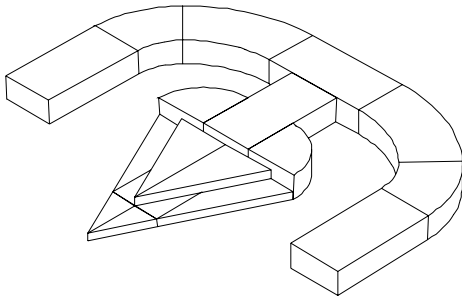
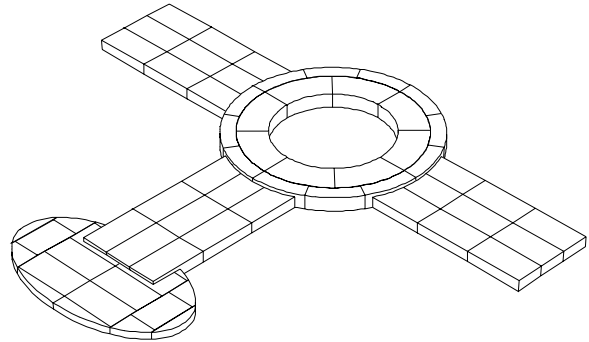
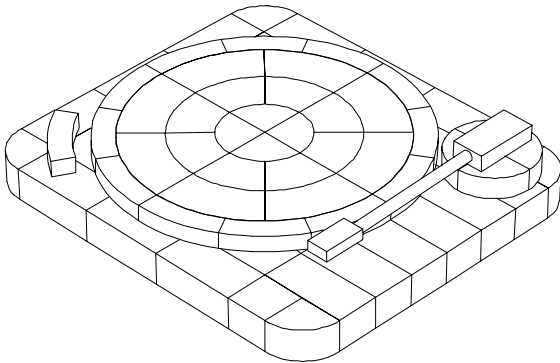
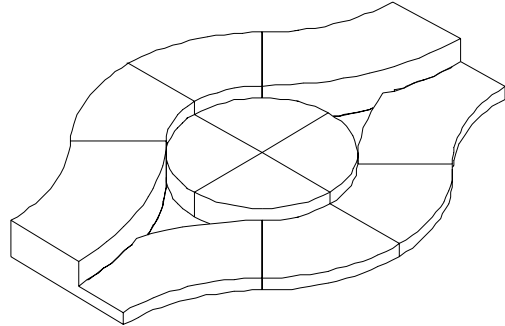
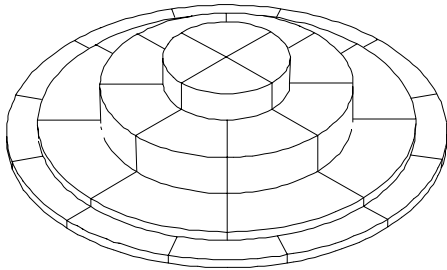


Modular Handrail System

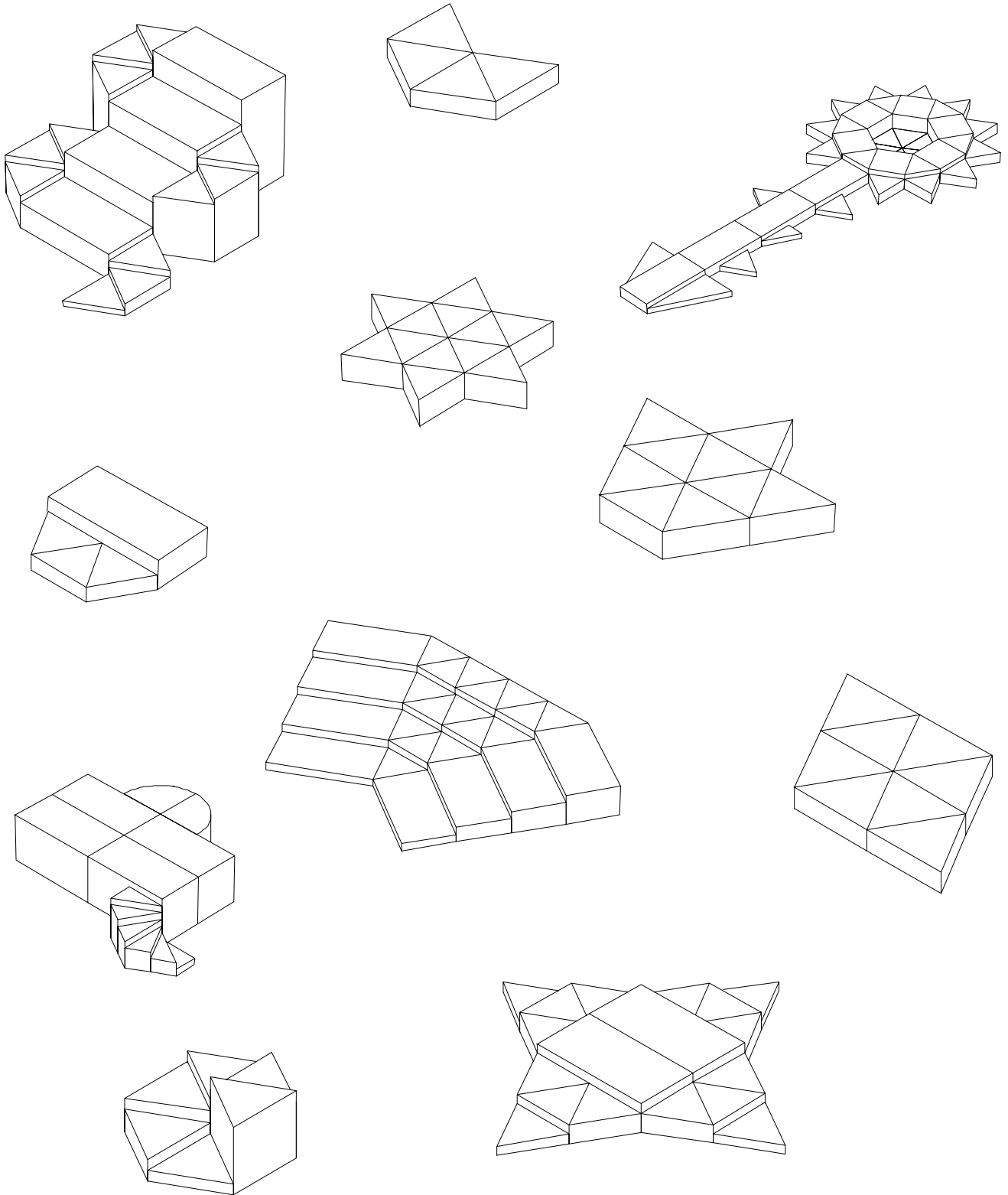
To compliment the range of Steeldeck a modular handrail system is available from stock for hire and sale. This provides a 1100mm high handrail that can be configured to the design of the stage.



Various Steeldeck Stage Layouts



Various Steeldeck Stage Layouts

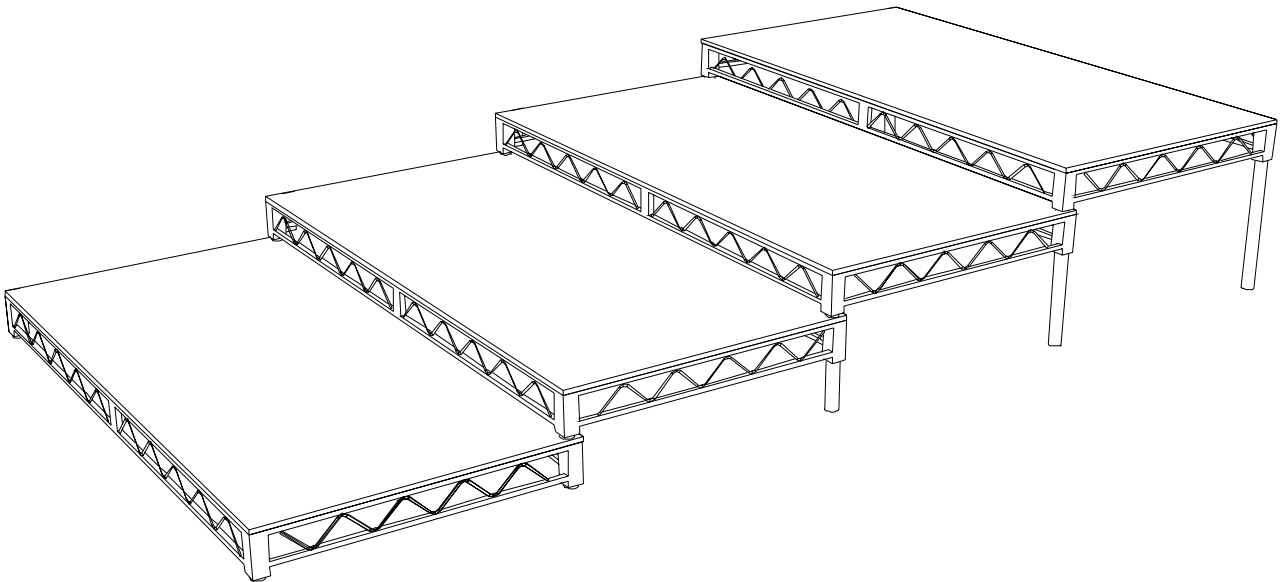


Steeldeck Legs

Steeldeck legs are made from standard 48.3mm tube. A large number of standard lengths are kept in stock which are available for hire and sale.

Standard legs available to give stage height:

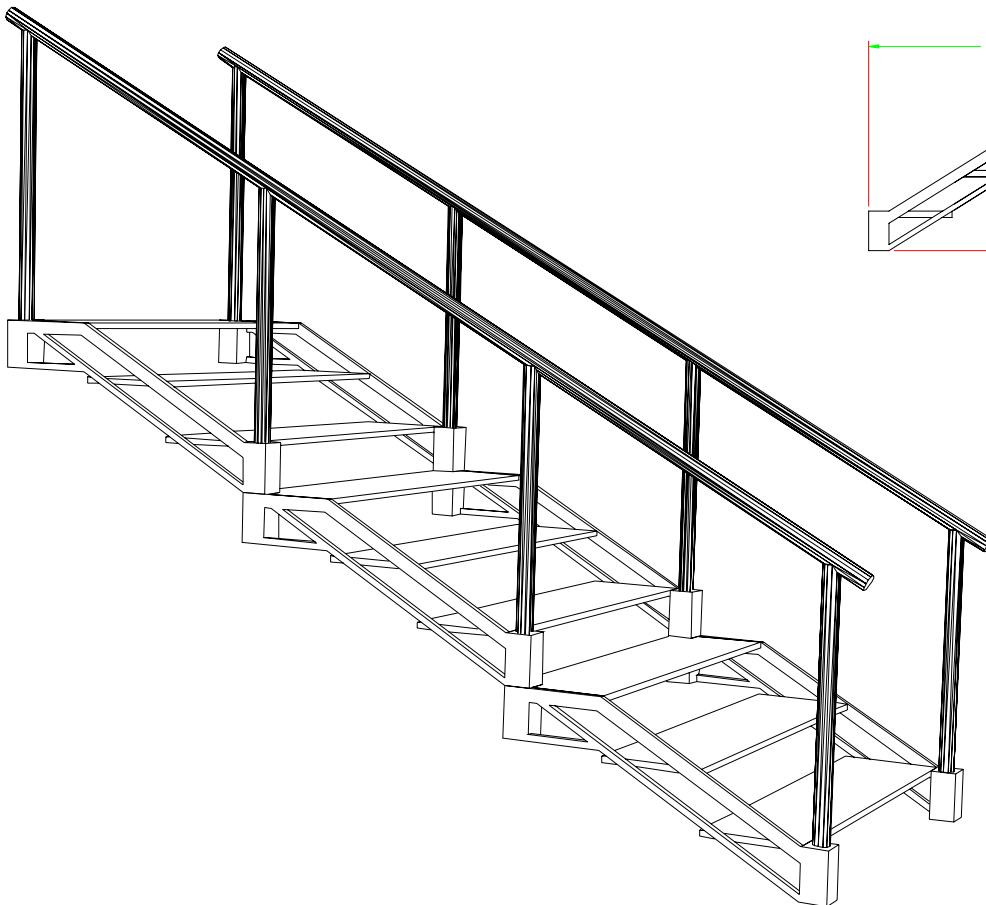
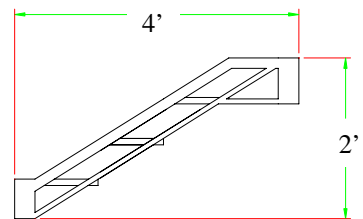
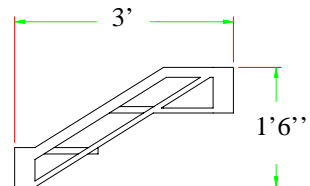
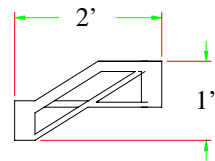
7.5" (190mm)	3'3.25" (1000mm)	5'7.5" (1714mm)
1' (305mm)	3'6" (1067mm)	6' (1829mm)
1'3" (381mm)	3'7.25" (1100mm)	6'3" (1905mm)
1'6" (457mm)	3'9" (1143mm)	6'10.5" (2096mm)
1'10.5" (572mm)	3'11.3" (1200mm)	7' (2134mm)
2' (610mm)	4' (1219mm)	7'6" (2286mm)
2'3.5" (700mm)	4'3.25" (1300mm)	8'1.5" (2476mm)
2'6" (762mm)	4'4.5" (1333mm)	8'9" (2667mm)
2'7.5" (800mm)	4'6" (1372mm)	9' (2743mm)
2'11.5" (900mm)	4'7" (1400mm)	9'4.5" (2857mm)
3' (914mm)	4'11" (1500mm)	10' (3048mm)
3'1.5" (952mm)	5' (1524mm)	



When making a tiered stage the minimum step height is 7.5".

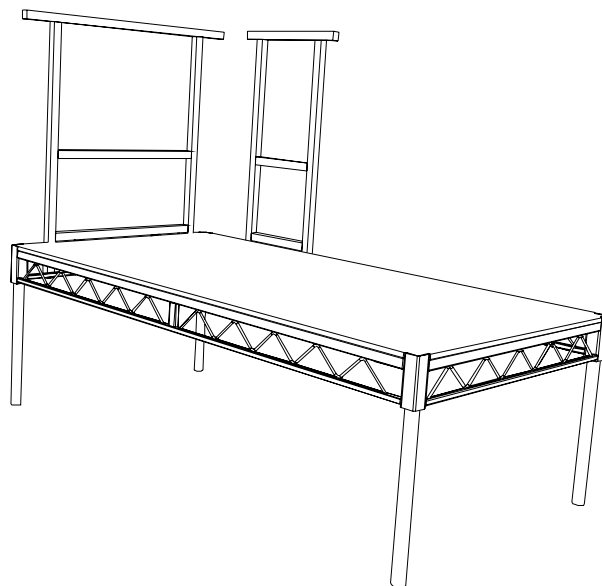
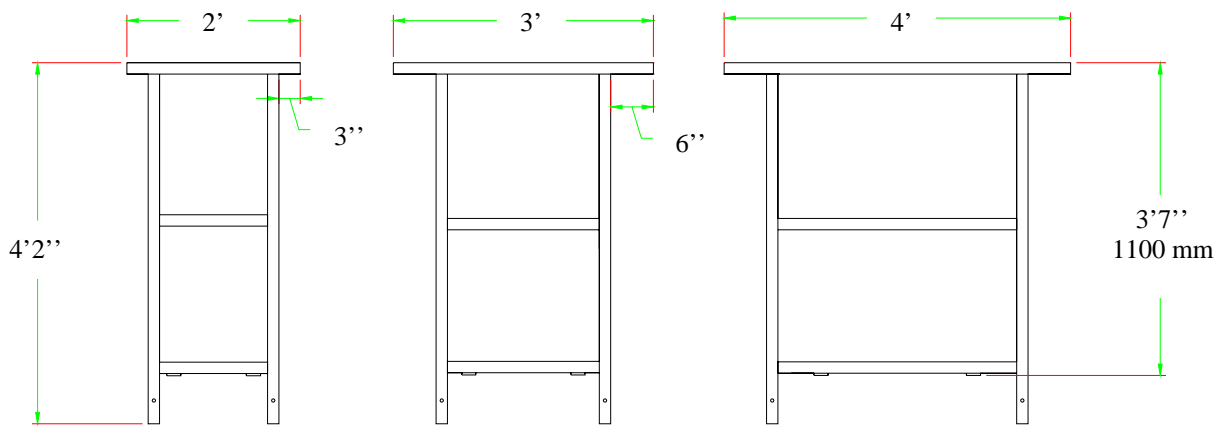
Modular Tread System

To compliment the range of Steeldeck a modular Tread system is available from stock for hire and sale. This provides a stackable system to achieve varying heights from our modular system



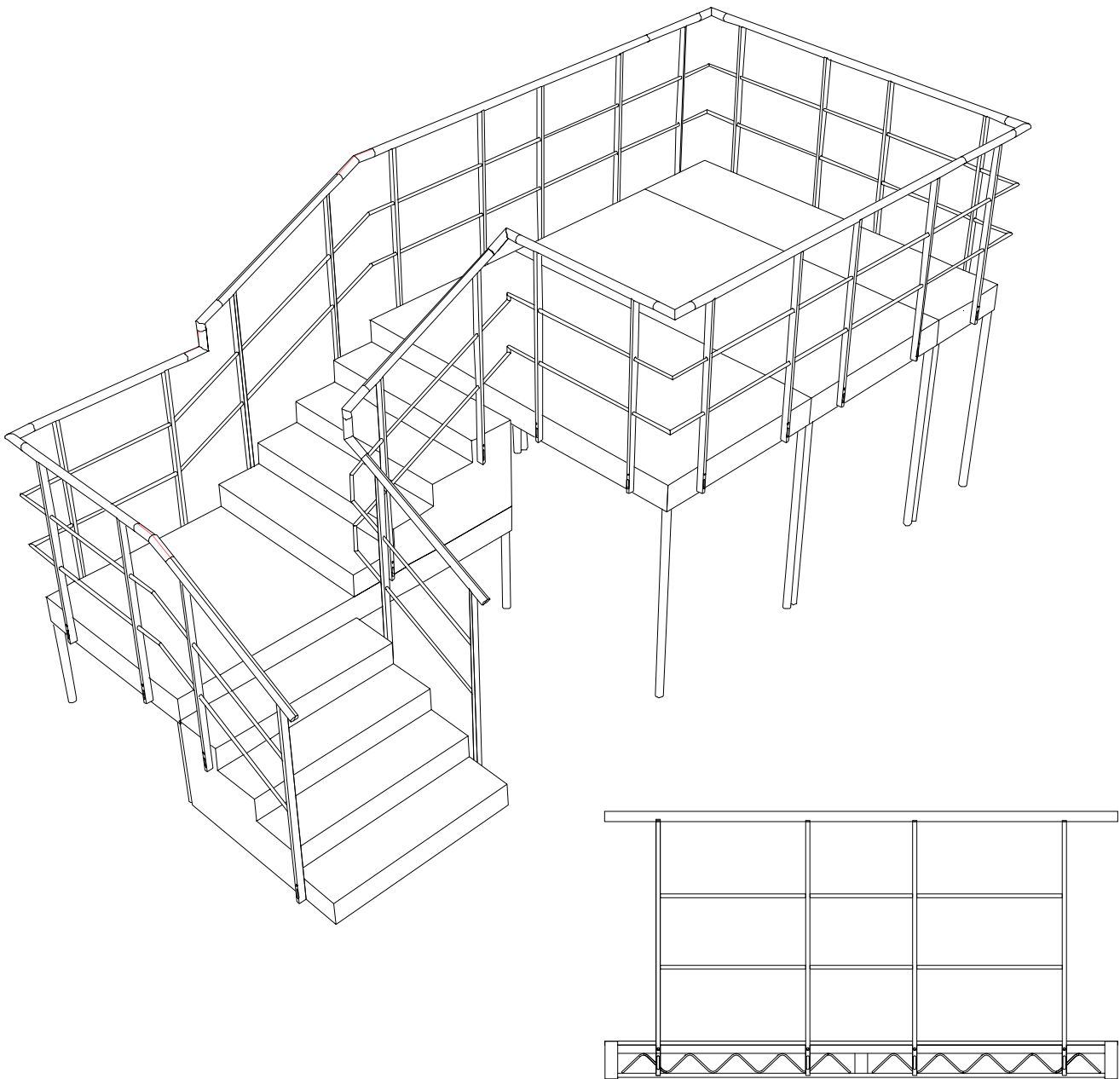
Standard Handrail System

To compliment the range of Steeldeck a standard handrail system is available from stock for hire and sale. This provides a 1100mm high handrail that can be configured to the design of the stage.



Modular Handrail System

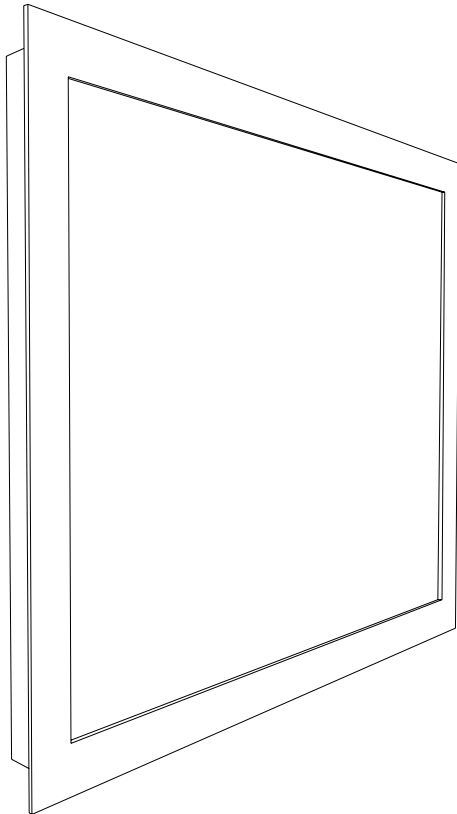
To compliment the range of Steeldeck a modular handrail system is available from stock for hire and sale. This provides a 1100mm high handrail that can be configured to the design of the stage.



Screens & Surrounds

Front And Rear Projection Screens

Front and rear projection screens are available from stock in the sizes below. They can be linked with either a stock or custom built screen surround.



Sizes and formats of front projection screens:

6' x 4'	AV format, 3 x 2
6' x 4'6"	Video format, 4 x 3
7' x 5'3"	Video format, 4 x 3
8' x 5'	AV format, 3 x 2
8' x 6'	Video format, 4 x 3
8'8" x 6'6"	Video format, 4 x 3
9' x 6'9"	Video format, 4 x 3
10' x 7'6"	Video format, 4 x 3
12' x 8'	AV format, 3 x 2
12' x 9'	Video format, 4 x 3
14' x 10'6"	Video format, 4 x 3
16' x 12'	Video format, 4 x 3
23' x 13'	Wide screen format, 16 x 9

Sizes and Formats of Rear Projection screens:

6' x 4'	AV format, 3 x 2
6' x 4'6"	Video format, 4 x 3
7' x 4'8"	AV format, 3 x 2
7' x 5'3"	Video format, 4 x 3
8' x 4'6"	Special format
8' x 5'	AV format, 3 x 2
8' x 5'4"	Special format
8' x 6'	Video format, 4 x 3
8' x 8'	Special format
9" x 2'3"	Special format
9' x 6'	AV format, 3 x 2
9' x 6'9"	Video format, 4 x 3
9'4" x 7'	Video format, 4 x 3
9'9" x 5'6"	Wide screen, 16 x 9
10' x 4'6"	Special format
10' x 6'	Special format
10' x 7'6"	Video format, 4 x 3
11' x 8'3"	Video format, 4 x 3
11' x 6'7"	Wide screen, 16 x 9
12' x 8'	AV format, 3 x 2
12' x 9'	Video format, 4 x 3
13' x 7'6"	Wide screen, 16 x 9
13' x 10'	Video format, 4 x 3
14' x 10'6"	Video format, 4 x 3
15' x 8'6"	Wide screen, 16 x 9
16' x 12'	Video format, 4 x 3
17' x 13'	Video format, 4 x 3
19'7" x 15'	Video format, 4 x 3
20' x 15'	Video format, 4 x 3
27' x 17'	Special format
32' x 20'	Special format

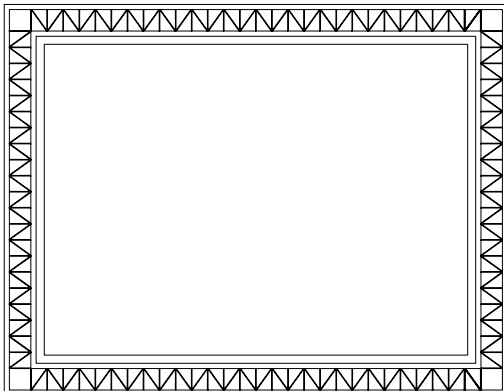
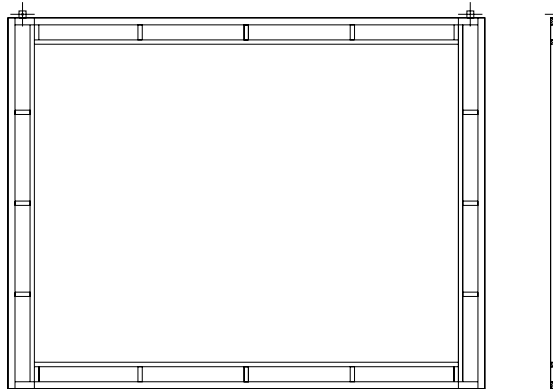
Screen Surrounds

To complement the range of rear and front projection screens there are a selection of screen surrounds in various styles and finishes. Examples are shown below. Other surrounds are available by special order.

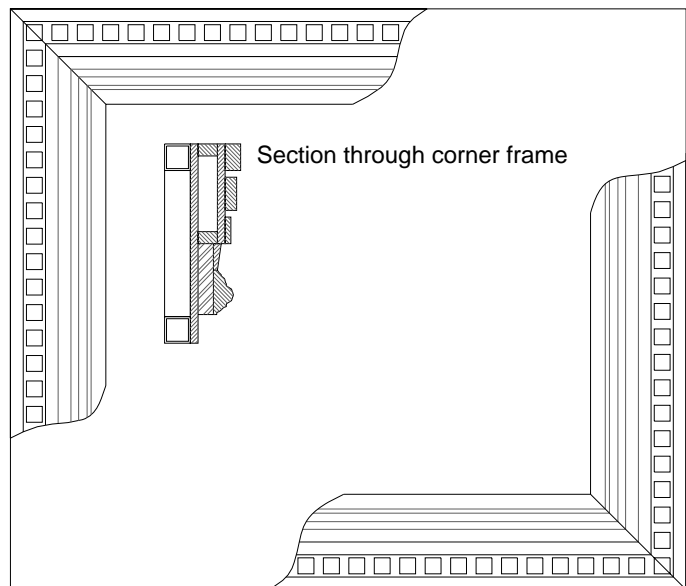
Flown screen surrounds are available in a variety of finishes and in the following standard sizes. Other sizes to order.

- 7' x 5'3"
- 8' x 6'
- 9' x 6'9"
- 10' x 7'6"
- 11' x 8'3"
- 12' x 9'
- 14' x 10'6"
- 16' x 12'
- 20' x 15'

Flown screen surround



Open framed truss style custom screen surround to take 13'6" x 9'8" screen



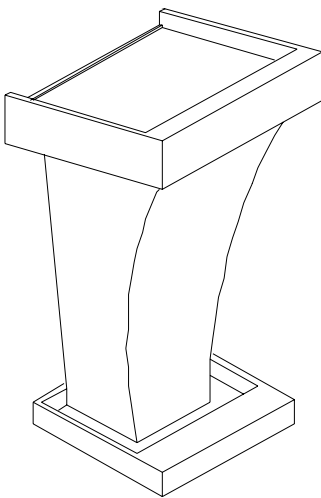
Wooden moulding corner detail applied to open frame steel surround backed in gauze

Lecterns

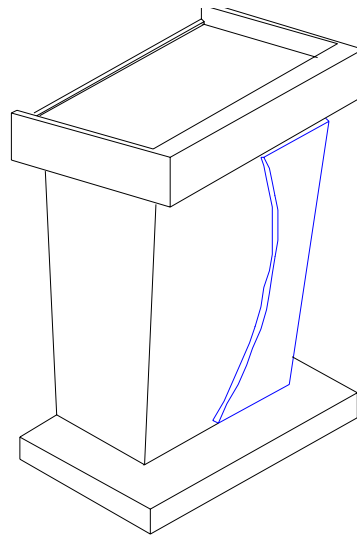
Stock Lecterns

Illustrated below are a selection of the lecterns which are held in stock. These are constructed from a variety of materials and can be finished as required.

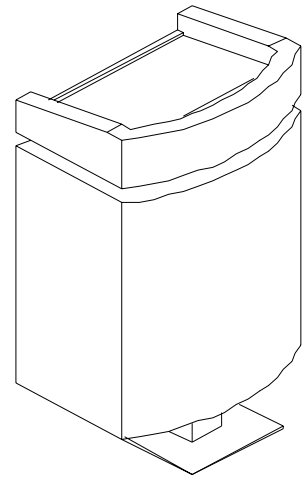
Many of these designs can accommodate monitors, autocue systems, touch screens, laptop computers and refreshments.



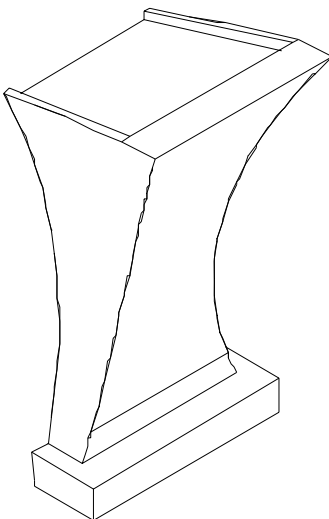
Shaped Lectern



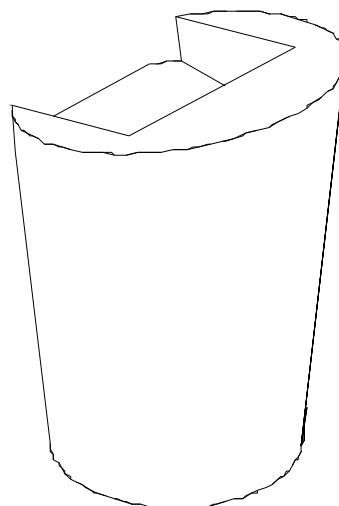
Monitor Lectern 1



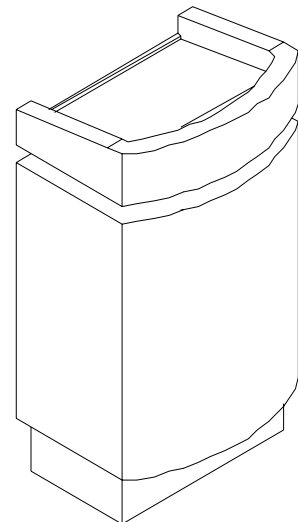
Veneered Lectern



Curved Lectern

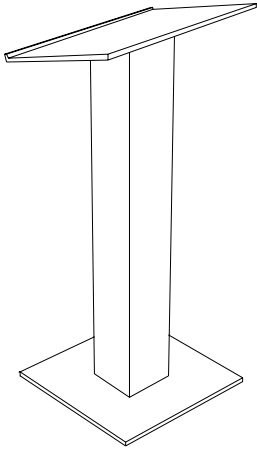


Cone Lectern

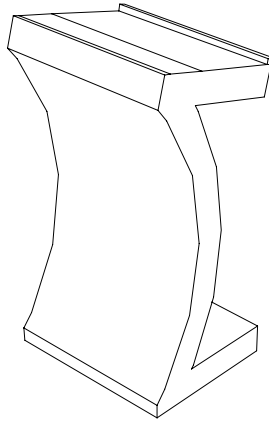


Adjustable Lectern

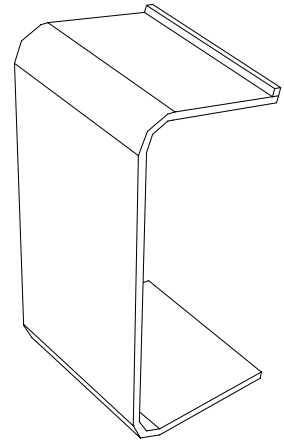
Stock Lecterns



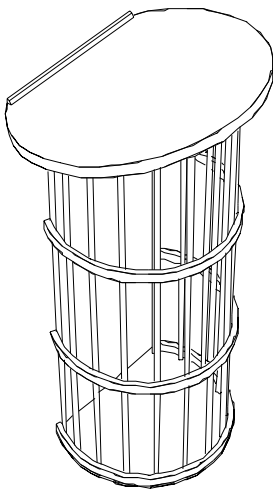
Perspex Lectern



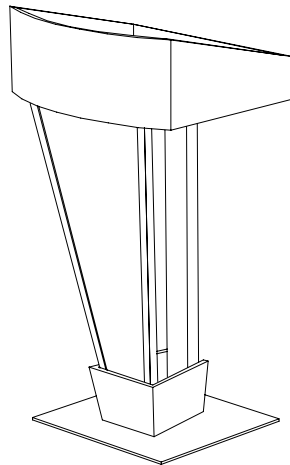
Perspex Lectern 2



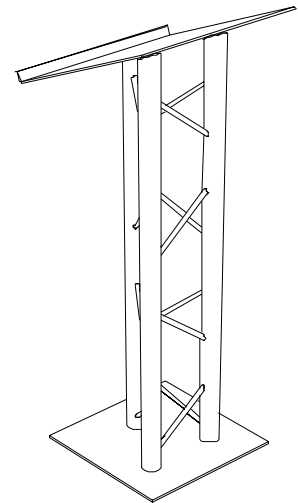
Perspex lectern 3



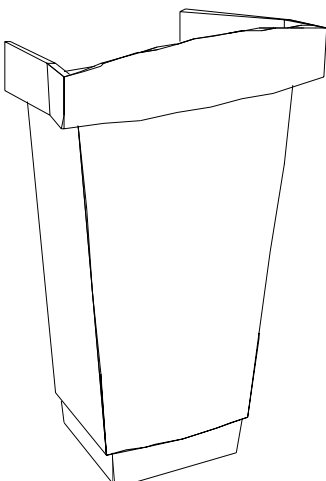
Elliptical Lectern



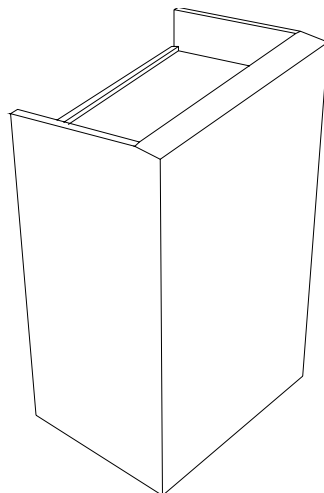
Perforated Lectern



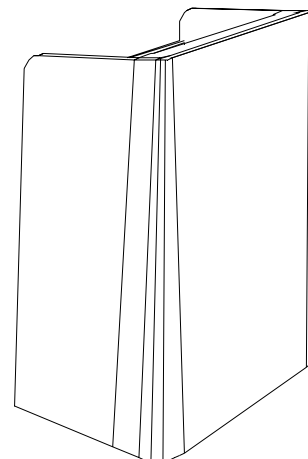
Truss Lectern



Angled Lectern



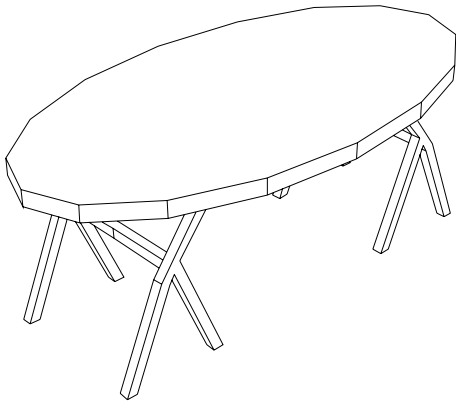
Box Lectern



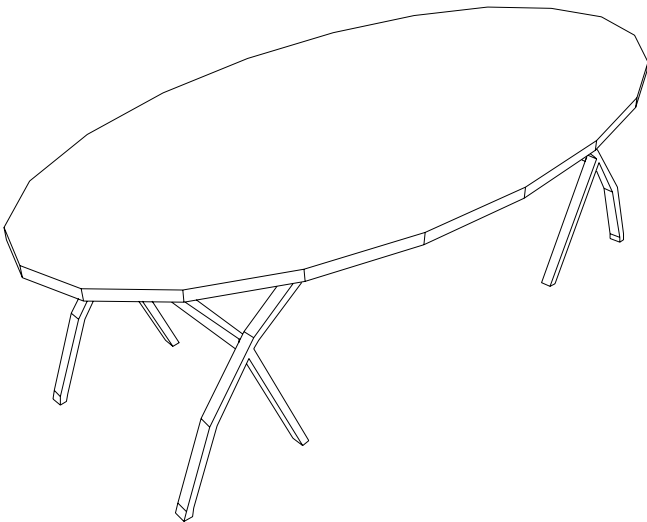
Autocue Lectern

Furniture
&
Sundries

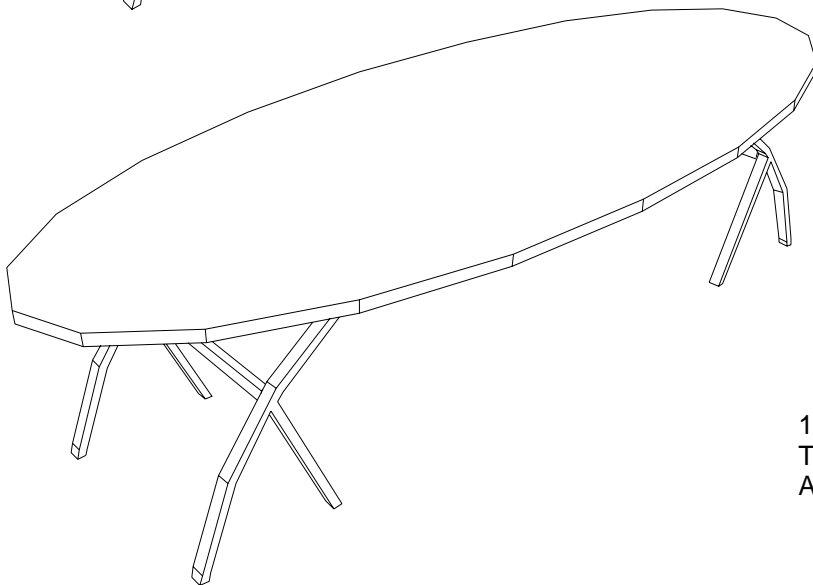
Matching Table Hire



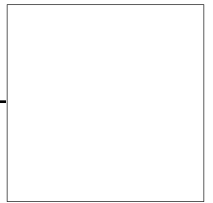
3'x2' elliptical coffee table
Table top finishes in:



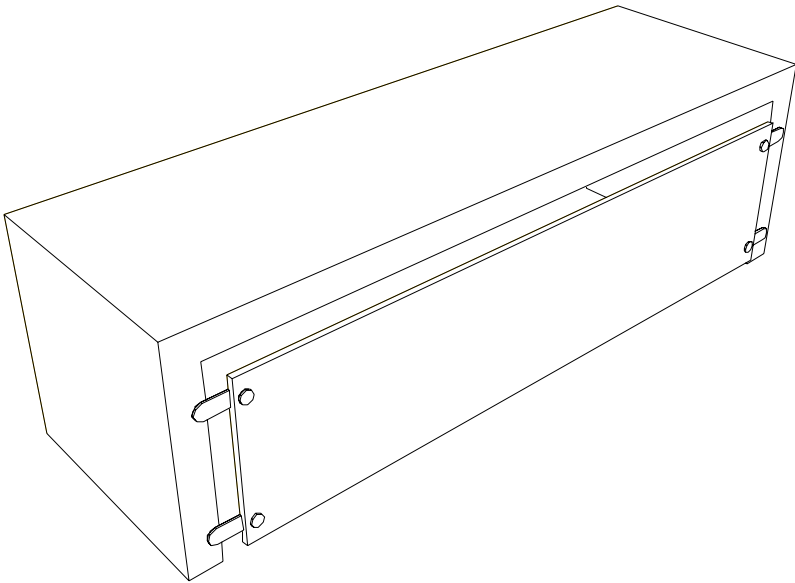
8'x4' elliptical table.
Table top finishes in:
A courtesy panel can be provided



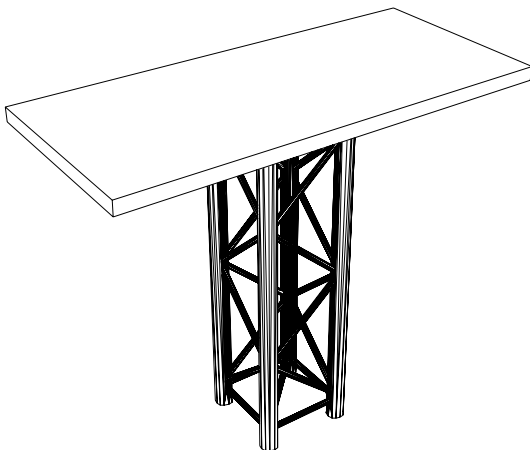
10'x4' elliptical table.
Table top finishes in:
A courtesy panel can be provided



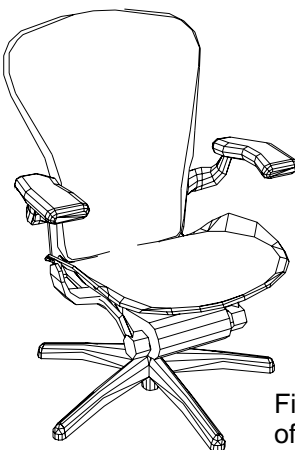
Matching Table Hire



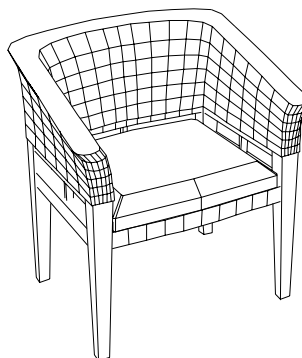
3'x2' elliptical coffee table
Table top finishes in:



Truss table
Table top finishes in:



Fixed position Leather
office chairs



Comfy fabric chairs
Ideal for causal seating

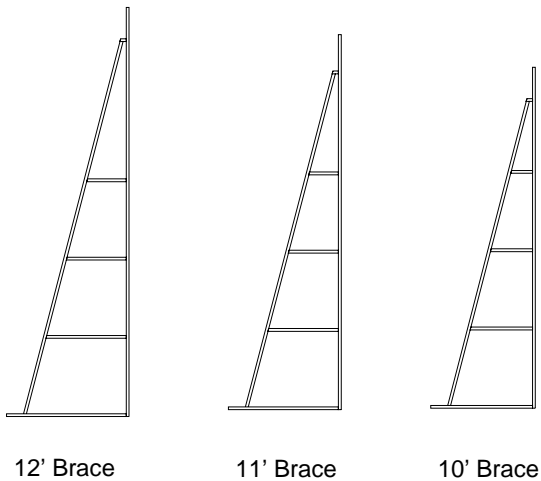
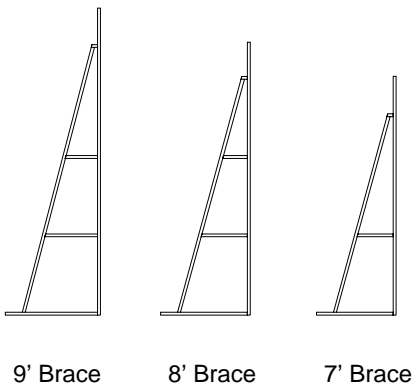


Hides and Braces

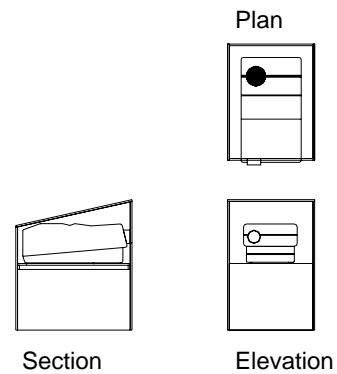
To complement the range of flattage and stock sets there is also available a complete range of stage braces in a variety of sizes.

Also available from stock is a complete range of monitor and projector hides which can all be finished in the same way as the set. Monitor hides are available from stock to suit 17", 21", 27" and 29" monitors with other sizes and designs available to order.

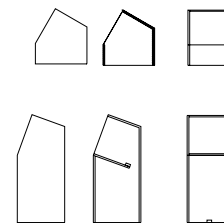
Steel stage braces



Barco surround



Monitor hides



Control Masking

Modular control masking is available 6', 8' & 12' wide. The addition of a header allows the aperture to be gauze filled. Panels can be covered in a range of materials. This system is also suitable for information points and receptions

