

Student Overview for the Certified SolidWorks Associate (CSWA) Program



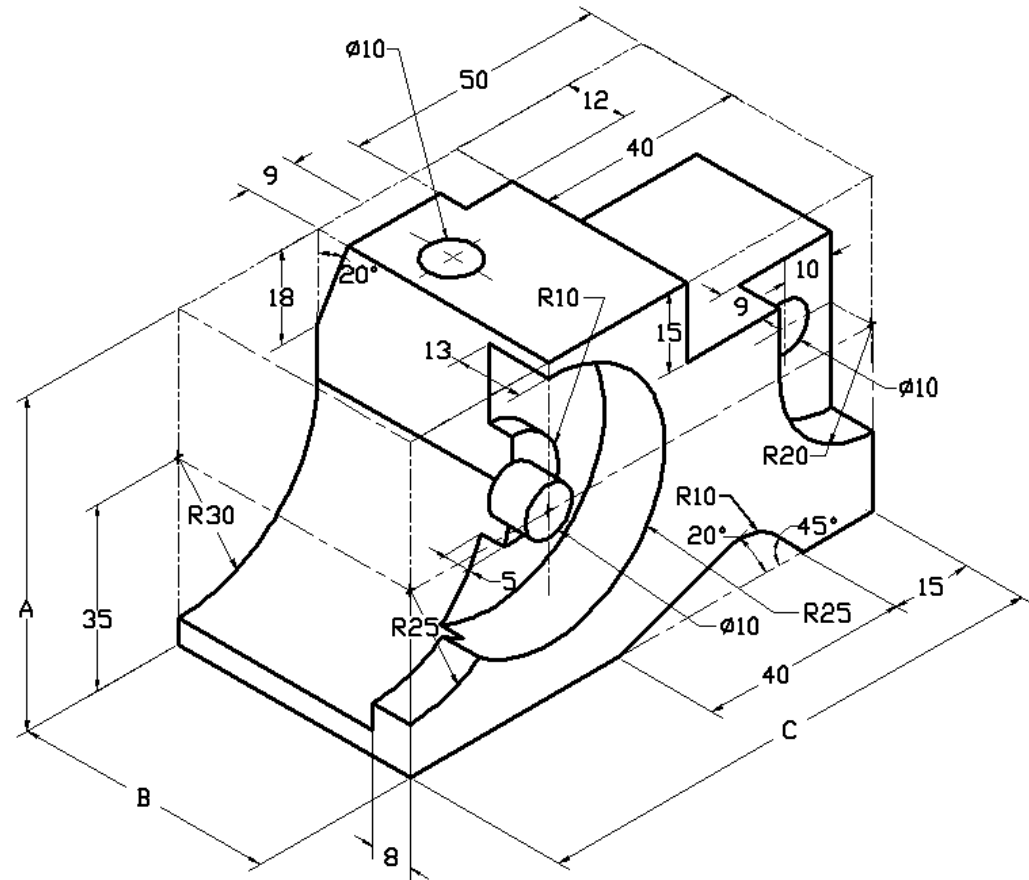
© Dassault Systèmes | Confidential Information |





CSWA Certification Program Overview

- CSWA Certification
- CSWA Competencies
- CSWA Preparation
- CSWA Exam Day
- CSWA Benefits



© Dassault Systèmes | Confidential Information |





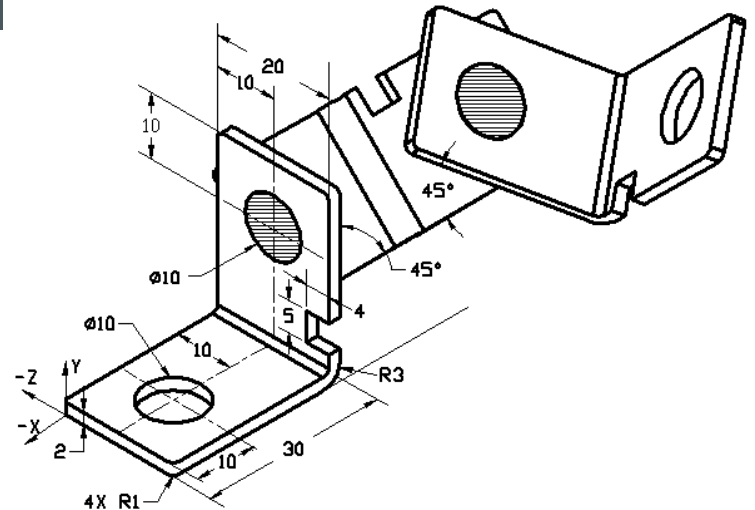
CSWA Certification

- The CSWA Certification demonstrates your aptitude with SolidWorks, 3D solid modeling techniques, design concepts and engineering practices, and commitment to professional development.
- The CSWA Certification requires passing the CSWA Exam. The CSWA Exam is a comprehensive, on-line, proctored, three hour test administered by the CSWA Provider.
- The CSWA Certification proves to employers that you have the required skill sets to work in the design and engineering fields.



CSWA Competencies

- 3D CAD modeling technology
 - Parts and Assemblies
 - 2D Sketching and Geometry Principles
 - Drawing Basics
- Engineering Principles
 - Mass Properties
 - Materials
 - Design Iterations
- Design Process
 - Design Intent
- Recognition of industry practices and standards



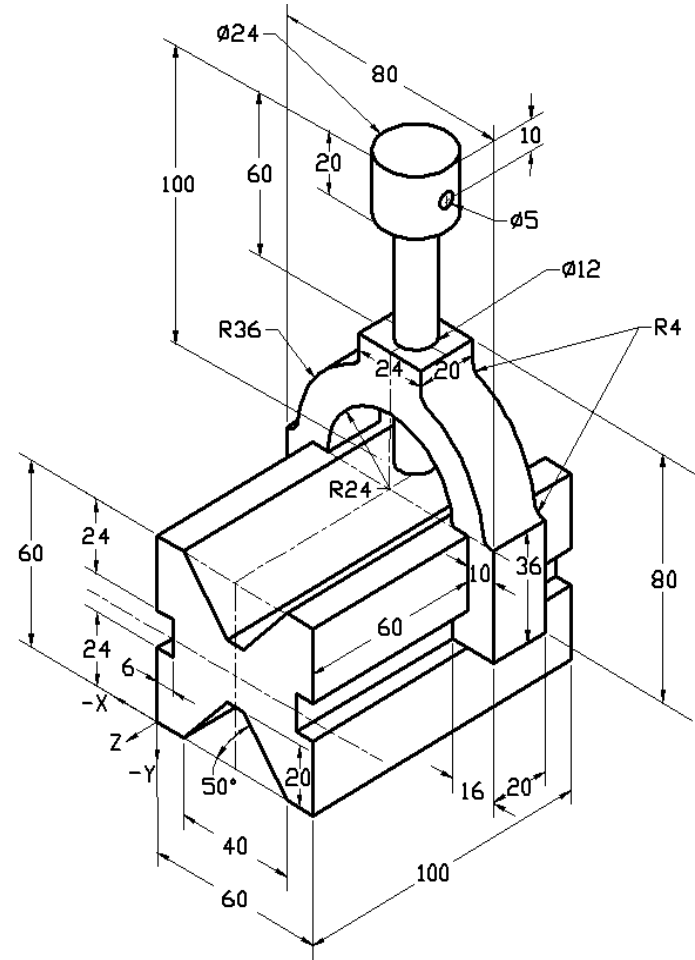
© Dassault Systèmes | Confidential Information |





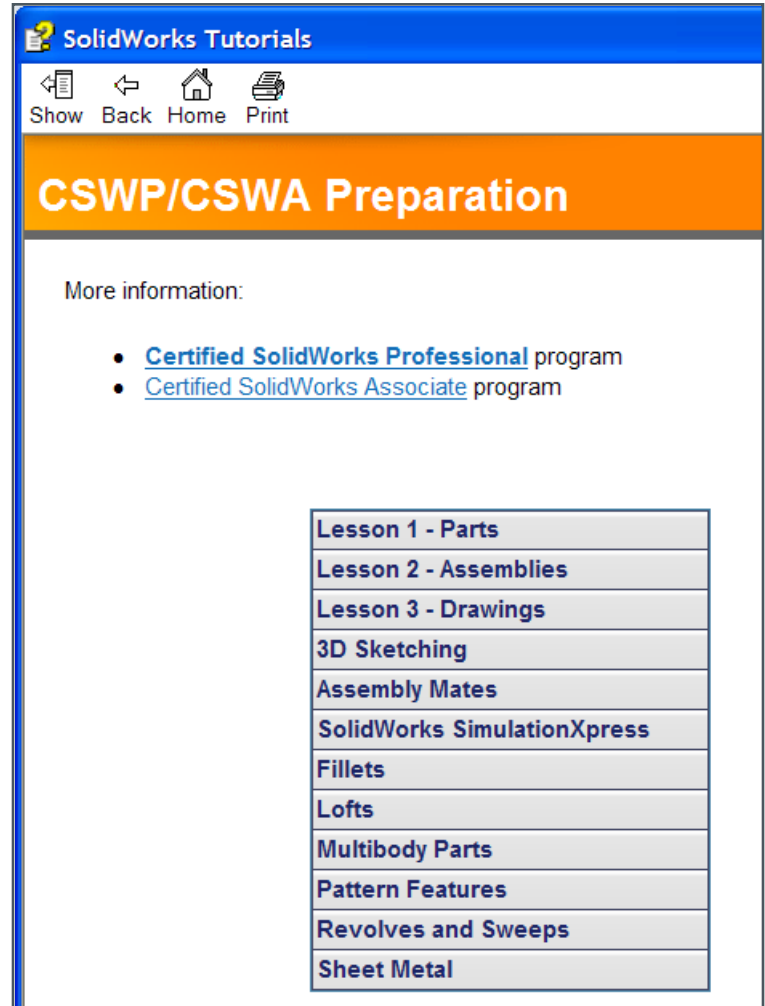
CSWA Exam Preparation

- Minimum for 45 hours of classroom instruction in engineering design
- 3D illustrations with dimensions
- 2D Drawing views with dimensions and annotations
- Reference Books:
 - Engineering Drawing, Detailing, Technical Drafting, Machine Drafting and Drawing Communication



CSWA Exam Preparation

- Complete the suggested SolidWorks Tutorials
- Utilize SolidWorks Help Topics to locate information about a particular function
- Complete the “Sample Exam” questions at www.solidworks.com/cswa
- Verify your time to complete the Sample Exam (~90 min)



The screenshot shows the SolidWorks Tutorials website interface. At the top, there is a blue header with the text "SolidWorks Tutorials" and a search icon. Below the header, there are navigation icons for "Show", "Back", "Home", and "Print". The main content area has an orange banner with the text "CSWP/CSWA Preparation". Below the banner, there is a section titled "More information:" with two bullet points: "Certified SolidWorks Professional program" and "Certified SolidWorks Associate program". To the right of this section, there is a vertical list of topics, each in a grey button-like box: "Lesson 1 - Parts", "Lesson 2 - Assemblies", "Lesson 3 - Drawings", "3D Sketching", "Assembly Mates", "SolidWorks SimulationXpress", "Fillet", "Lofts", "Multibody Parts", "Pattern Features", "Revolves and Sweeps", and "Sheet Metal".



CSWA Exam Breakdown

Category	Qty	Points	Total Points
Drawing Theory	3	5	15
Basic Part Modeling	2	15	30
Intermediate Part Modeling	2	15	30
Advanced Part Modeling	3	15	45
Assembly Modeling	4	30	120
Total			240

Passing: 165 Points (or greater)

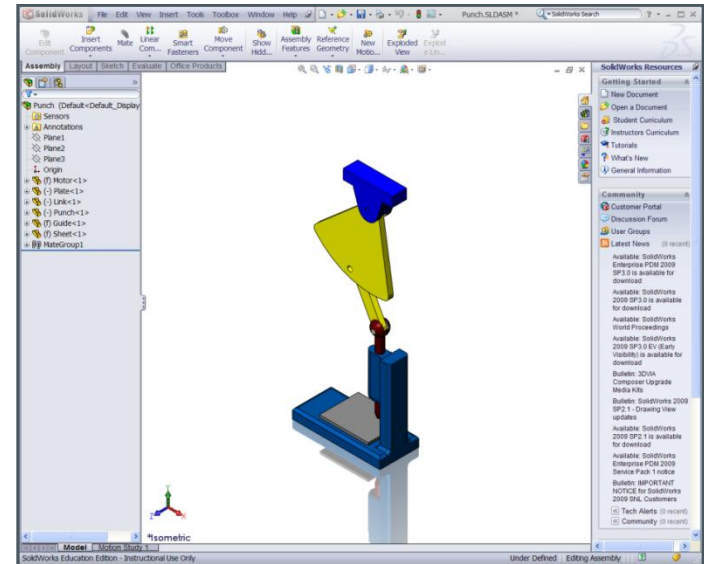
Time allotted: Three hours: (180 minutes)





CSWA Exam Day: Requirements

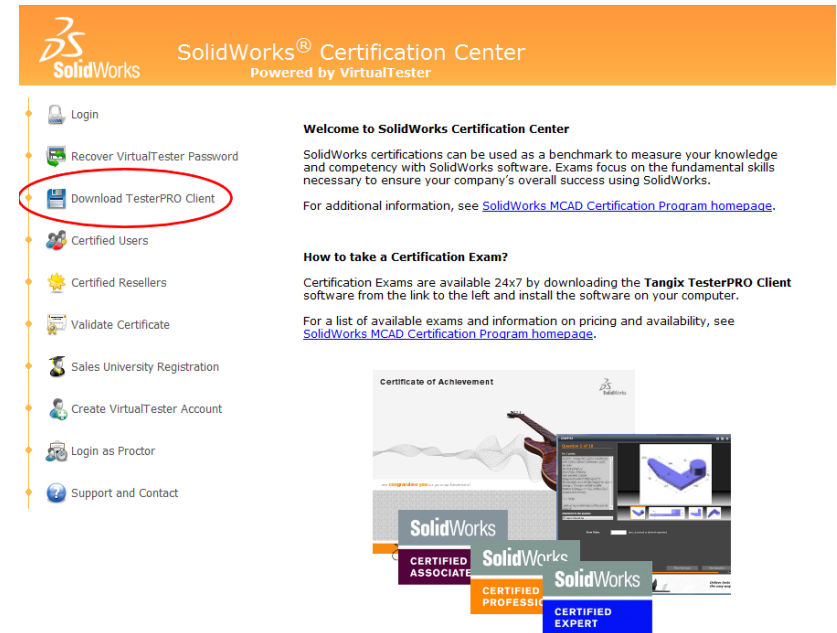
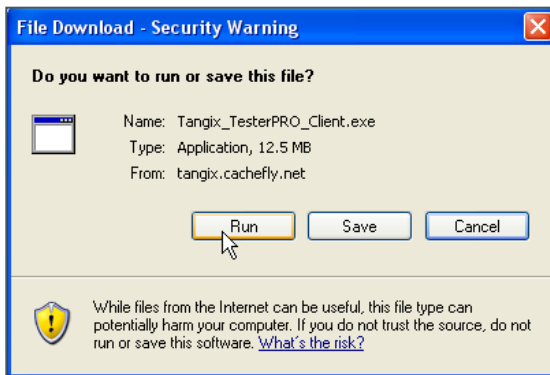
- Requirements:
 - A computer with SolidWorks installed on it in a secure environment
 - An internet connection
 - A valid email address
 - A voucher ID code (Provided by your CSWA Provider)
- CSWA Provider Institution
 - Accredited, degree granting educational institution, secondary or post secondary level
 - SolidWorks subscription
 - Approved CSWA Provider application
www.solidworks.com/cswa





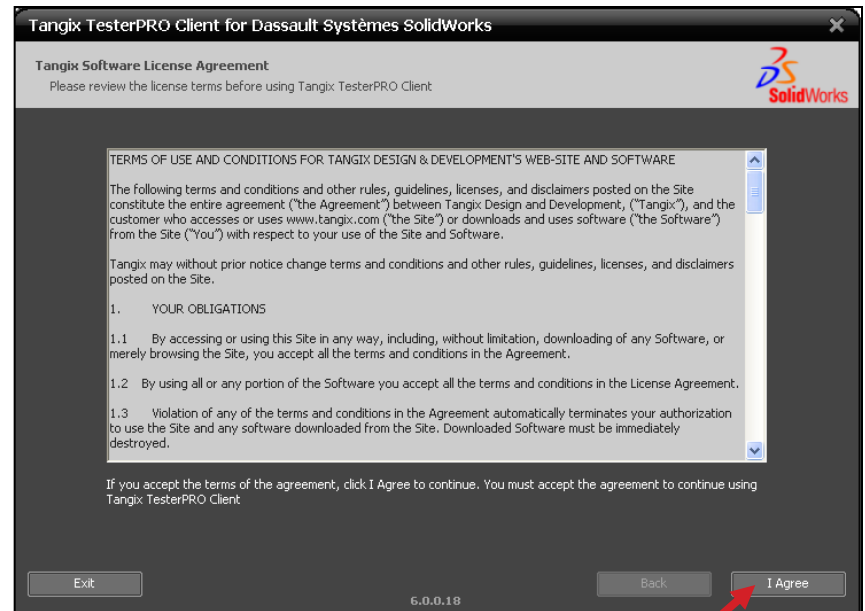
Exam Day: Download the TesterPro Client

- Login to the Tangix_TesterPRO site (<http://www.virtualtester.com/solidworks>). Click **Download TesterPRO Client** link to start the exam process.
- Click the **Run** button.



Exam Day: Run the Tester software

- Click **Run** to run the Tangix Tester software.
- **Read** the Tangix Software License Agreement.
- Click **I Agree**.





CSWA Exam Day: Select Language

- Select your **language** for the Tangix tester:
 - English
 - French
 - German
 - Portuguese
 - Spanish
 - Italian
 - Japanese
 - Chinese Simplified
 - Chinese Traditional
 - Korean
- Click **Continue**.





CSWA Exam Day: Your Information

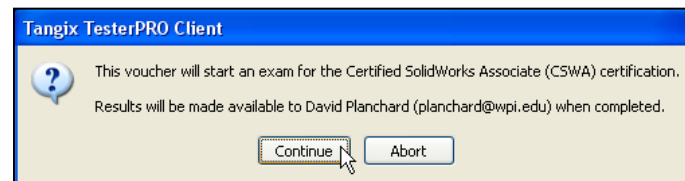
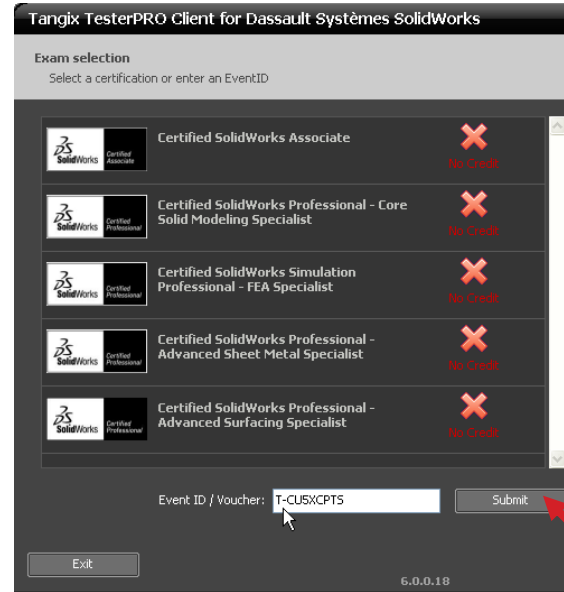
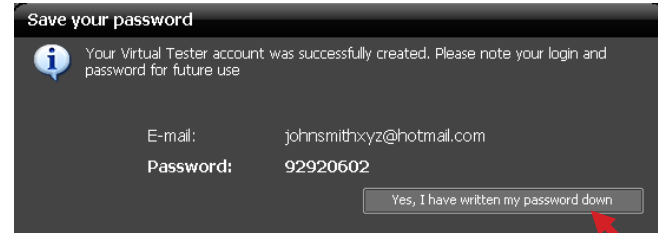
- Students can not use notes, books, calculators, PDA's, cell phones, or materials not authorized by a SolidWorks Certified Provider or DS SolidWorks Corp. during the exam.
- **Enter** your personal information.
- Click **Continue**.

The screenshot shows the 'Tangix TesterPRO Client' window. The title bar includes the text 'Tangix TesterPRO Client' and a close button. Below the title bar is a header area with the text 'Candidate Information' and 'Please complete the required fields below.' in the top left, and the 'tangix' logo in the top right. The main content area contains two radio button options: 'I already have a VirtualTester UserID and password' (unselected) and 'I do not have a VirtualTester UserID. Create one with the following information:' (selected, indicated by a red arrow). Below these options are several form fields, each with a red asterisk indicating it is required: 'First Name:', 'Last Name:', 'Company:', 'E-mail:', 'Address 1:', 'Address 2:', 'City:', 'State / Province:' (with a dropdown arrow), 'Postal Code:', and 'Country:' (with a dropdown arrow). There is also an 'All' checkbox. At the bottom of the window, there are three buttons: 'Exit', 'Back', and 'Continue' (indicated by a red arrow). The version number '5.0.7.19' is displayed in the bottom center.



CSWA Exam Day: Login and Voucher Number

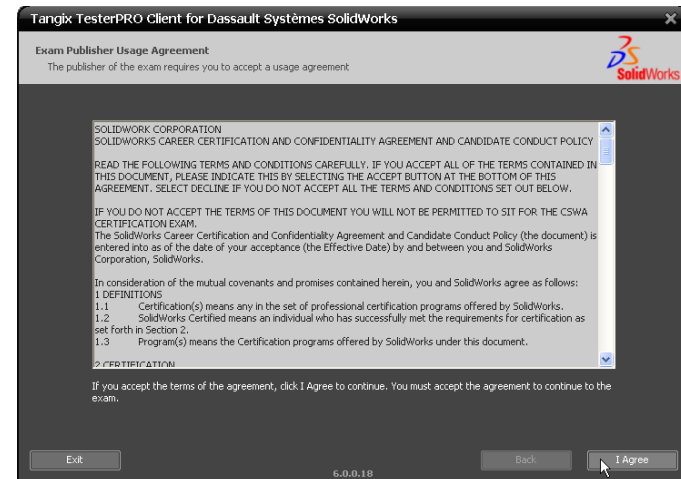
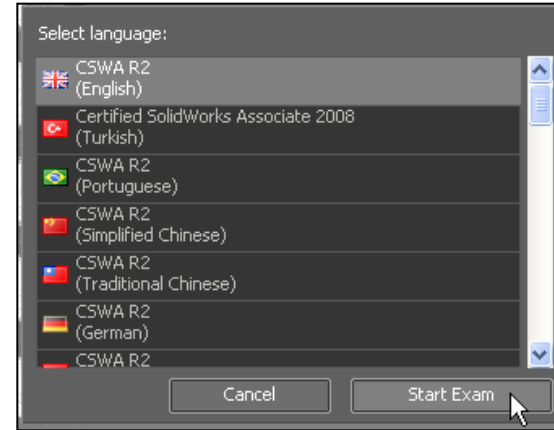
- Write down your login email and password.
- Click **Yes, I have written my password down.**
- Enter your **Voucher number** provided by your instructor.
- Click **Submit.**
- Click **Continue.**





CSWA Exam Day: Select Language for Exam

- Select **language** for the exam.
- **Read** the Exam Publisher license agreement.
- Click **I Agree**.





CSWA Exam Day: Start Exam

- Read the Examination Information.
- Click **Start Examination**.

CSWA R3 - Beta - 101110: Examination Information

Examination Information

Welcome to the Certified SolidWorks Associate Examination!

- Your exam is: 14 questions.
- You are allowed to answer the questions in any order you prefer.
- Use the Summary Screen to see the list of all questions you have or have not answered.
- Once you click End Test, you will not be able to return to your questions.
- You will have: 180 minutes to complete this examination.
- Minimum passing score is: 165.
- Your proctor is: Avelino Rochino.

Press the Start Examination button to continue.

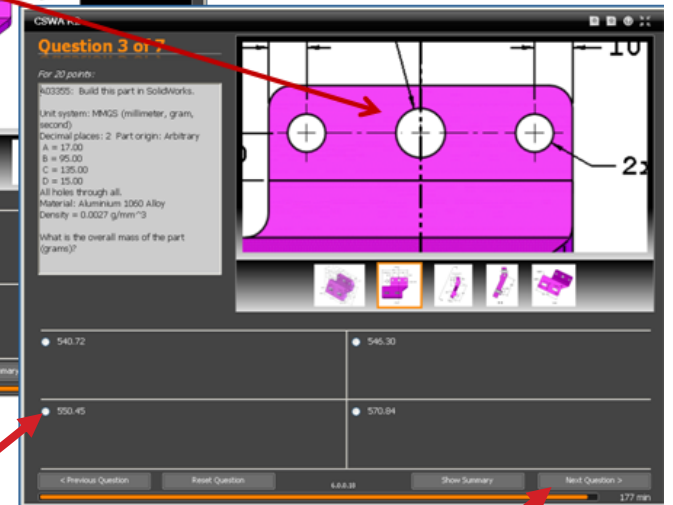
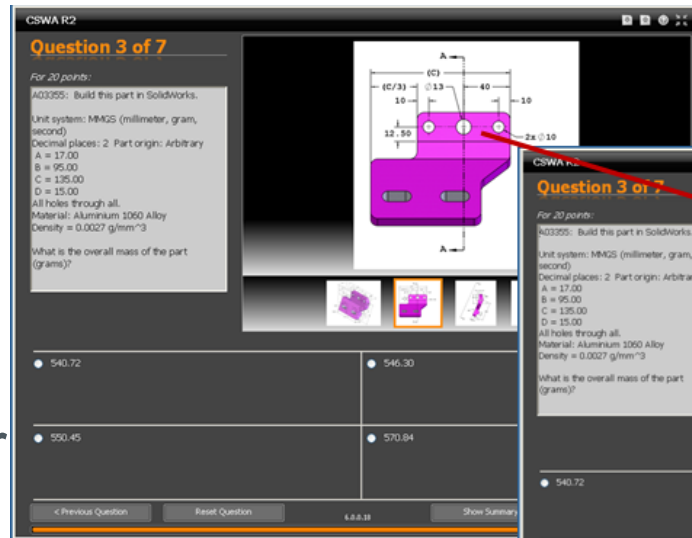
Start Examination





CSWA Exam Day: Answering questions

- Read the question.
- Click on **views** for more detail.
- **Create** the model in SolidWorks.
- Select the **best** answer or **fill** in the answer field.
- Click **Next Question**



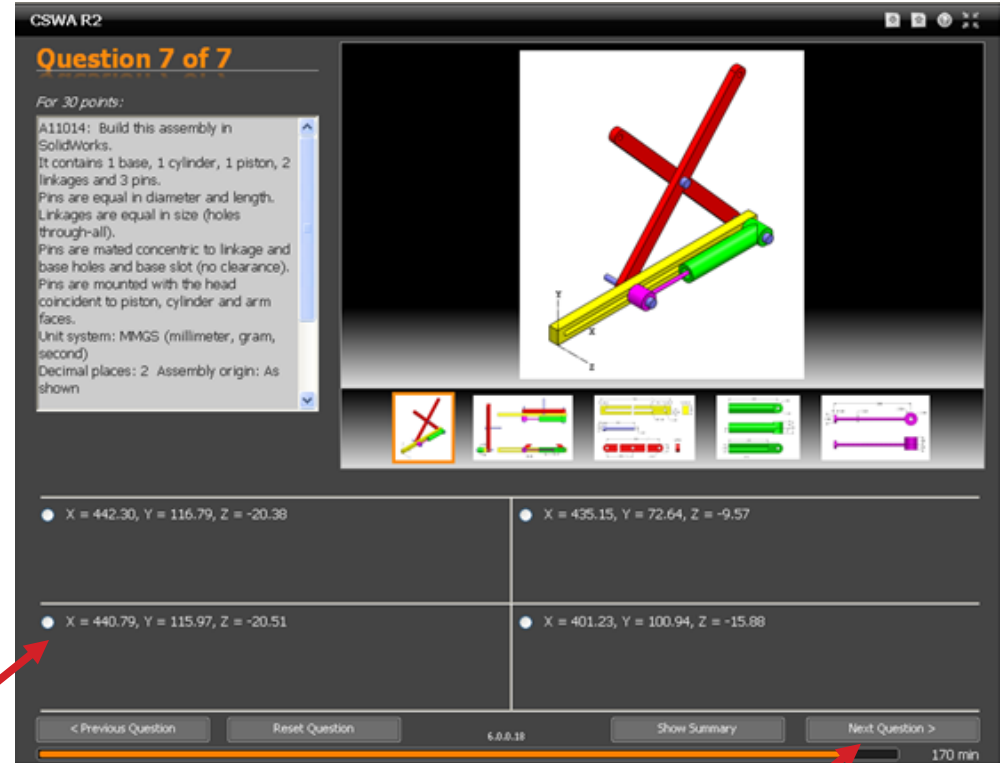
© Dassault Systèmes | Confidential Information |





CSWA Exam Day: Answering questions

- Read the question.
- Click on **views** for more detail.
- **Download** and **unzip** the assembly models and save them locally.
- **Create** the final assembly.
- Select the **best** answer or **fill** in the answer field.
- Click **Next Question**.



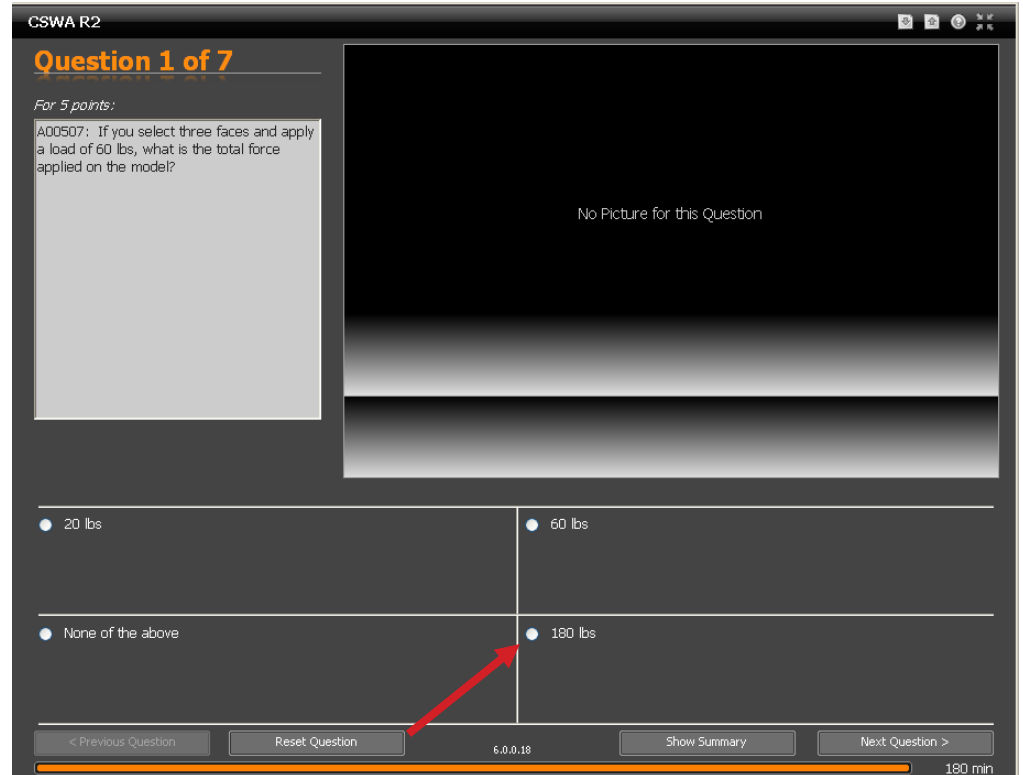
© Dassault Systèmes | Confidential Information |





CSWA Exam Day: Answering questions

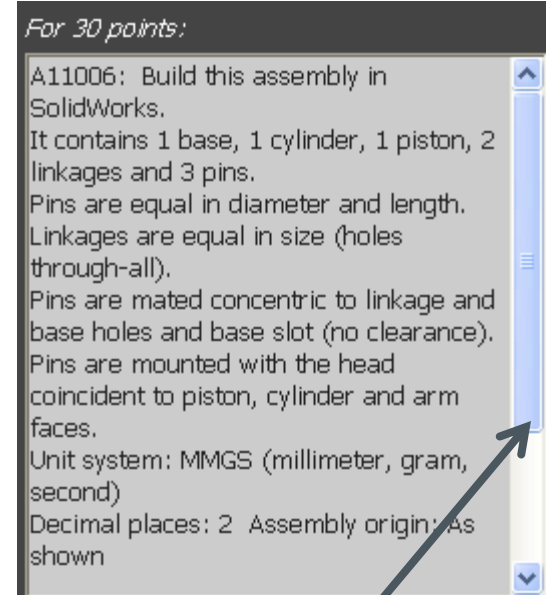
- **Answer** multiple choice questions for the Drawing Theory and Analysis Theory questions.
- Use **Help** for assistance.
- Note: Click the Reset Question button to clear a selected answer.





CSWA Exam Day: Tips

- Read directions thoroughly. The complete question requires you to **scroll down**.
- Review **all** drawing views.
- Know how to **apply materials** and calculate **material properties** (mass, volume, moment of inertia, etc).
- Enter **dimensions** and **annotations** precisely.
- Know how to create a **Reference Coordinate System**.
- Use **SolidWorks Help** and COSMOSXpress / SimulationXpress Help for theory questions.
- Work **quickly** and **accurately**. It is a timed exam.





CSWA Exam Day: Show Summary

- Click **Show Summary** button to review the Answered questions.
- Click **Back to Question** to return to exam.
- Click **End Examination** when complete.
- Click **Yes** to exit.
- **Read** your score.

CSWA R2

Summary

Question (double-click to go to)	Points	State
1 A00507: If you select three faces and apply a load of 60 lbs, what is the total f...	5	Answered
2 A11006: Build this assembly in SolidWorks.	30	Answered
3 A08077: Build this part in SolidWorks.	30	Answered
4 A00003: To create drawing view 'B' from drawing view 'A' insert which SolidW...	5	Answered
5 A03357: Build this part in SolidWorks.	20	Answered
6 A00511: When a Fixed restraint is applied on a face, what happens to the face?	5	Answered
7 A00005: To create drawing view 'B' it is necessary to sketch a spline (as show...	5	Answered

Buttons: End Examination, Back to Question

Tangix TesterPRO Client

End Test!

WARNING: You will not be able to go back to the questions once you have ended the test!
Really end test?

Buttons: Yes, No





CSWA Exam Day: Your account

- If you pass, return to the Virtual Tester, www.virtualtester.com/SolidWorks
- **Login** to your account.

The screenshot shows the SolidWorks Certification Center website. At the top, there is an orange header with the SolidWorks logo and the text "SolidWorks® Certification Center Powered by VirtualTester". Below the header is a navigation menu with icons and labels: Login, Recover VirtualTester Password, Download TesterPRO Client, Certified Users, Certified Resellers, Validate Certificate, Sales University Registration, Create VirtualTester Account, Login as Proctor, and Support and Contact. The main content area has a "Welcome to SolidWorks Certification Center" section with a paragraph of text and a link to the MCAD Certification Program homepage. Below that is a "How to take a Certification Exam?" section with another paragraph and a link to the MCAD Certification Program homepage. At the bottom right, there is a collage of images including a "Certificate of Achievement" and several "SolidWorks" certification levels: "CERTIFIED ASSOCIATE", "CERTIFIED PROFESSIONAL", and "CERTIFIED EXPERT".

The screenshot shows a "Login" dialog box with a close button (X) in the top right corner. The text inside the dialog reads: "Enter email and password to login and access your certificates and exam results." Below this text are three input fields: "Email:" with a red dashed border and a red exclamation mark icon, "Password:" with a standard white border, and "Remember Login:" with a checkbox. At the bottom right of the dialog are two buttons: "Login" and "Cancel".





CSWA Exam Day: Print your certificate

- Select the CSWA Exam.
- Print your CSWA certificate.
- Record the Certificate ID for your resume.



SOLIDWORKS® CERTIFICATION CENTER

CERTIFICATES EXAM RESULTS CREDITS / VOUCHERS SETTINGS

Your Certificates

Certificate ID	Certificate	Issued By	Issued On
C-WPELST5UND	Certified SolidWorks Associate	Cristian Albu, CADCASE	01/10/2006
C-EQZKDRKG7	Certified SolidWorks Professional	Jeremy Luchini, SolidWorks Corporation	08/19/2002

CERTIFICATES EXAM RESULTS CREDITS / VOUCHERS SETTINGS

Your Exam Results

Exam Subject	Score	Points to Pa	Result	Exam Started	Duration
Certified SolidWorks Associate 2007 English	100	70	PASSED	06/09/2007 11:24 AM	94 min

© Dassault Systèmes | Confidential Information |





CSWA Exam Benefits

- Formal recognition of achievement
- Professional credibility with proven engineering competencies
- Membership to the CSWA community
- Online certificate access
- Success in the first level of the SolidWorks Certification program
 - Professional, Sheet Metal, Surfacing, Finite Element Analysis, Sustainable Design





Thank You

www.solidworks.com/cswa

