

# STYLE LINE<sup>®</sup> SERIES

---

## V250

Vinyl Windows

### Architectural Manual



## Instructions on how to use this manual:

This document has been designed for easy navigation and to quickly click to the section you need. Here's some important tips on using this document:

- Any item printed in **red**, will click through to the corresponding item.
- Click to any item in the Table of Contents on **page 3**. Click on the Milgard logo at the top of any page to return to the Table of Contents - FULL MANUAL ONLY.
- From each section's Quick Links page, click to any Drawing listed.
- From any Drawing page, click the "Go Back to Quick Links" box on the bottom right of the page to return to the list of drawings.
- Click on the links on the bottom of the page to go to Revit, SketchUp . PDF and .DWG files. Please note that you must have internet access for these links and you will be re-directed to the Milgard site.
- This document can also be navigated from Adobe Acrobat Bookmarks.

Revit, SketchUp, .PDF and .DWG files can be accessed  
at **milgard.com** or clicking here:

**Technical Resources**

**Contents**

**COMPONENTS** \_\_\_\_\_ **4**

- Frame \_\_\_\_\_ 4
- Nail-On Fin \_\_\_\_\_ 4
- Weep System \_\_\_\_\_ 4
- Glazing Material \_\_\_\_\_ 4
- Vent Panel \_\_\_\_\_ 4
- Weatherstripping \_\_\_\_\_ 5
- Roller Assembly \_\_\_\_\_ 5
- Locking Assembly \_\_\_\_\_ 5
- Screen \_\_\_\_\_ 5
- Energy Packages \_\_\_\_\_ 5

**OPTIONS** \_\_\_\_\_ **5**

- Grids \_\_\_\_\_ 5
- Glass \_\_\_\_\_ 5

**Window Hardware** \_\_\_\_\_ **6**

**Exterior Finishes** \_\_\_\_\_ **7**

**Warranty** \_\_\_\_\_ **8**

**Awning Window** \_\_\_\_\_ **9**

- Configurations \_\_\_\_\_ 10
- Minimum/Maximum Sizes \_\_\_\_\_ 10
- Available Frame Styles \_\_\_\_\_ 10
- Drawings - Quick Links \_\_\_\_\_ 11
- Awning Window \_\_\_\_\_ 12

**Casement Window** \_\_\_\_\_ **22**

- Configurations \_\_\_\_\_ 23
- Minimum/Maximum Sizes \_\_\_\_\_ 23
- Available Frame Styles \_\_\_\_\_ 23
- Drawings - Quick Links \_\_\_\_\_ 24
- Casement Window \_\_\_\_\_ 25

**Horizontal Sliding Window** \_\_\_\_\_ **41**

- Configurations \_\_\_\_\_ 42
- Minimum/Maximum Sizes \_\_\_\_\_ 42
- Available Frame Styles \_\_\_\_\_ 42
- Drawings - Quick Links \_\_\_\_\_ 43
- Horizontal Sliding Window \_\_\_\_\_ 44
- Double Vent Horizontal Sliding Window \_\_\_\_\_ 53

**Picture and Radius Window** \_\_\_\_\_ **54**

- Configurations \_\_\_\_\_ 55
- Minimum/Maximum Sizes \_\_\_\_\_ 55
- Available Frame Styles \_\_\_\_\_ 55
- Drawings - Quick Links \_\_\_\_\_ 56
- Picture/Radius Window \_\_\_\_\_ 57

**Single Hung Window** \_\_\_\_\_ **67**

- Configurations \_\_\_\_\_ 68
- Minimum/Maximum Sizes \_\_\_\_\_ 68
- Available Frame Styles \_\_\_\_\_ 68
- Drawings - Quick Links \_\_\_\_\_ 69
- Single Hung Window \_\_\_\_\_ 70

# About Style Line® Series | V250

The Style Line series vinyl (PVC) window blends the energy efficiency and low maintenance of vinyl with the clean lines and low profile appearance of an aluminum window.

The result is a window with maximum glass area. Available in white, tan, and adobe (select regions), as well as premium painted exteriors. The windows will maintain their color and shape and can be constructed to your exact size specifications, subject to review.

## COMPONENTS

### Frame

Frame components are made from high performance polyvinyl chloride, available in white or tan, with adobe available in select regions or premium painted upgrade window frames. The Style Line series is designed to offer a low profile appearance, ideal for contemporary homes or whenever maximum glazing area is desired. Mitered corners are precision welded resulting in an air and water tight seal.

Standard frame depth is 2-7/8", ideal for both new construction and or use as a replacement window.

### Nail-On Fin

A 1-1/16" pre-punched nail flange extends around the perimeter frame, securing the window in rough openings and acting as a part of the flashing system. The nailing fin may be removed as needed

for particular block frame applications. Fin setbacks are available in 1-3/8" from outside of frame; also in 1" for our SW locations using 3 coat stucco applications (not available at all locations).

### Weep System

Hollow sill construction and offset weep holes that release any accumulated moisture from track and help prevent blow back, or water seeping to the interior caused by a combination of wind and rain.

### Glazing Material

AAMA approved glazing tape adheres glass to the fixed panel frame which seals and cushions the glass. Rigid vinyl setting blocks are used to support the unit above the sill, preventing glass slippage. Extruded vinyl glazing (snap-in) bead is applied around the exterior edge.

Glass insulating dual glazed panes, 3/4" in overall thickness (1" overall on picture frame), are butyl sealed for energy efficiency. Specialty glass options are available upon request.

### Vent Panel

The vent panel has an "L" shaped lip that fully interlocks with the vertical meeting rail, adding security and preventing air and water penetration. Its roller assembly rides on a monorail track for easy operation and durability. This raised track in the frame sill helps keep the vent panel free from interference by foreign particles that may collect in the sill.

### Weatherstripping

Silicone-treated water-repellent polypropylene fin seal weatherstripping provides a durable, weather tight seal. This weatherstripping is installed in an integral, continuous keyway around three sides of the vent panel and interlock.

### Roller Assembly

Self-lubricating, wear resistant, dual nylon rollers provide flexible, free-wheeling, smooth and silent operation. The adjustable rollers are engineered for reduction of friction and elimination of torque on the vent frame.

### Locking Assembly

A Positive Action™ lock mechanism provides security and a tighter seal. The lock engages when the window is closed.

### Screen

Screen frames are cambered aluminum, reinforced with rigid plastic corner clips. Screens come standard with matching frame color.

The fiberglass charcoal screen mesh is strong, durable and easy to replace. Two plastic pulls located on the screen allow you to install from inside or outside of house.

### Energy Packages

Milgard adheres to ENERGY STAR® v6 requirements to meet or exceed U-Factor and Solar Heat Gain Coefficient (SHGC) criteria for all ENERGY STAR® zones.

Milgard also offers high energy performance options for the ultimate in energy efficiency. Energy efficient windows could include one or more of the

following features based on your climate.

- SunCoat® or SunCoatMAX®
- EdgeGardMAX®
- Argon
- 4th Surface

For more details on Milgard Energy Efficient packages, visit [www.milgard.com/learn/energy-efficiency/energy-efficient-components](http://www.milgard.com/learn/energy-efficiency/energy-efficient-components)

To check the energy performance of all Milgard windows and doors, use our Energy Calculator at:

[milgard.com/energy-calculator](http://milgard.com/energy-calculator)

## OPTIONS

### Grids

Available in 5/8" flat. Color-matched to frame.

1-1/16" sculptured grid available in select markets – check with your Milgard representative.

### Glass

Refer to glass section. Many more options are available. Please check with your Milgard Representative.

*Caution: The use of petroleum based fuels or solvents as release agents in stucco wall installations or glass cleaning will chemically attack materials used in seals and other components, and voids the Milgard Warranty. The use of wax based release agents is recommended.*

*Expanding foam for insulation purposes should not be used.*

## Window Hardware



### Single Hung and Horizontal Slider

Positive Action™ Lock – Closes and locks window securely in one action.



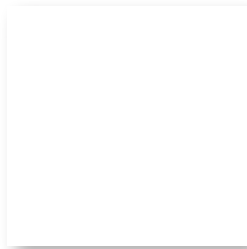
### Casement and Awning

Standard Handle with Sash Lock

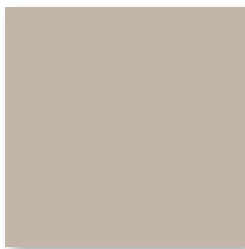


## Exterior Finishes

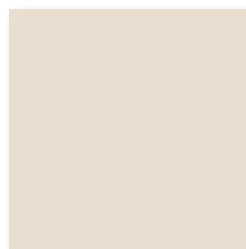
### Standard - Matching interior



White



Tan

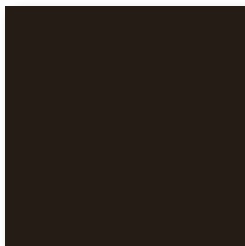


Adobe  
(available in select regions)

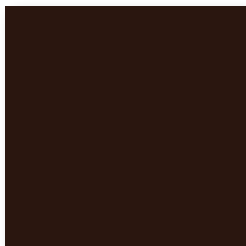
### Painted - White interior only



Bronze



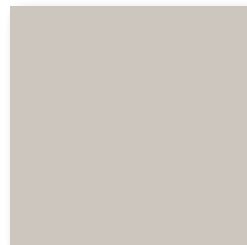
Espresso



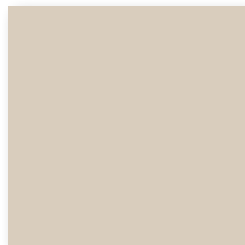
Classic Brown



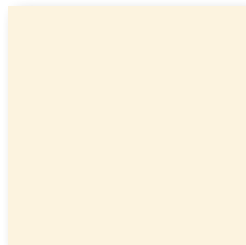
Silver



Fog



Sand



Ivory

## Warranty

We have a dedication to quality and build our windows to last. With Style Line® Series, you're covered for as long as you own your home with our Lifetime Limited Warranty. Full Lifetime Warranty also available as an optional upgrade for a fee and must be selected at time of purchase.

For complete warranty details, visit [milgard.com/warranty](https://milgard.com/warranty).

## Why Milgard?

### Quality

Milgard offers award-winning windows and patio doors built for long-lasting comfort. For over 50 years, industry experts have consistently recognized Milgard as a trusted brand. By producing our vinyl and fiberglass frame materials in-house, we can more closely monitor for quality control. Milgard windows and patio doors stand up, while standing out.

### Experience

Since 1962, Milgard Windows & Doors has designed and assembled superior, top quality windows and patio doors. Milgard engineers are known for their industry-leading designs using patented technologies. Whatever your project calls for, Milgard has the right product that can beautifully reflect your vision. From new construction to home remodeling, all Milgard windows and doors are custom made to your exact specifications.

### Service

We serve the Western U.S. and Canada with a dozen full-service facilities and customer care centers. Our belief is that by being close to our customers, we can provide them better service.



## Picture and Radius Window



The Style Line® Series vinyl (PVC) Picture window blends the energy efficiency and low maintenance of vinyl with clean lines and a narrow profile.

The result is a window with maximum glass area. Available in white, tan, and adobe (select regions), as well as premium painted exteriors. The windows will maintain their color and shape and can be constructed to your exact size specifications.



Please also see:

[Components](#)

[Options](#)

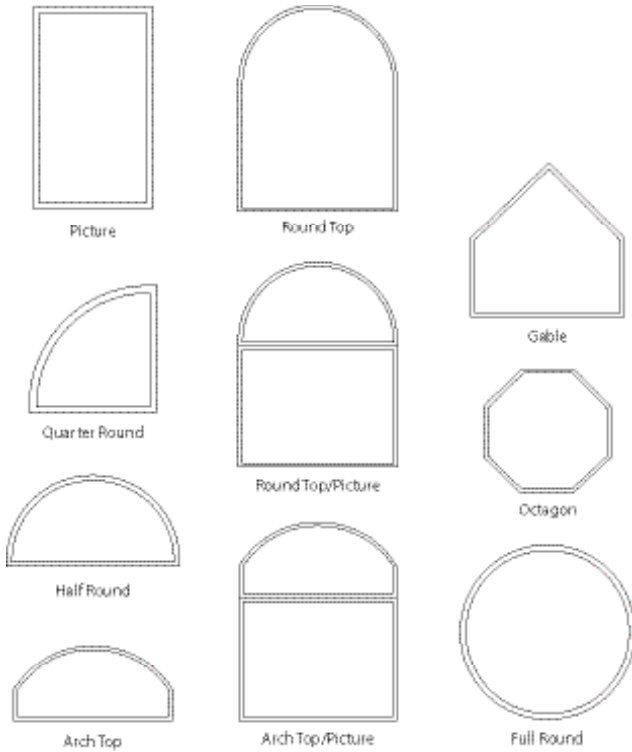
[Hardware](#)

[Painted Exterior Finishes](#)

[Lifetime Limited Warranty](#)

# Picture and Radius Window

## Configurations



## Minimum/Maximum Sizes

### Picture Window

- Min 1<sup>01</sup>° Max 8<sup>06</sup>°

### Octagon

- Min 3<sup>03</sup>° Max 6<sup>06</sup>°

### Half Round

- Min 2<sup>61</sup>° Max 8<sup>04</sup>°

### Quarter Round

- Min 1<sup>31</sup>° Max 5<sup>05</sup>°

### Full Round

- Min 2<sup>62</sup>° Max 5<sup>05</sup>°

### Arch Tops

- 48 square feet maximum
- Min 2<sup>62</sup>° Max 8<sup>06</sup>°

Must specify leg height and center height  
(minimum 6" leg height)

## Available Frame Styles

- 1-3/8" Fin Setback
- 1" Fin Setback with J-channel
- 1" Fin Setback with Stucco Key

*NOTE: For engineering approval contact your Milgard representative for any configuration over 40 square feet. Each Milgard Manufacturing plant reserves the right to alter or change sizes and configurations according to location capabilities. Ask your Milgard rep about specialty applications. Windows over 40 square feet shipped open for field glazing. Varies by location.*

*Not all frame styles available at all Milgard locations. Contact your Milgard Representative for more information.*

# Drawings - Quick Links

## Picture/Radius Window

- 57—1-3/8" Fin Setback - Slider Frame
- 58—1" Fin Setback with J-channel - Slider Frame
- 59—1" Fin Setback with Stucco Key - Slider Frame
- 60—1-3/8" Fin Setback with Stucco Key - Step Frame
- 61—1-3/8" Fin Setback - Step Frame
- 62—1" Fin Setback with J-channel - Step Frame
- 63—1" Fin Setback with Stucco Key - Step Frame
- 64—1-3/8" Fin Setback - Casement Frame
- 65—1-1/2" Contour Z-bar - Slider Frame
- 66—1-1/2" Flat Z-bar - Slider Frame

Revit, SketchUp, .PDF and .DWG files can be accessed at  
[milgard.com/professionals/technical-resources](http://milgard.com/professionals/technical-resources)

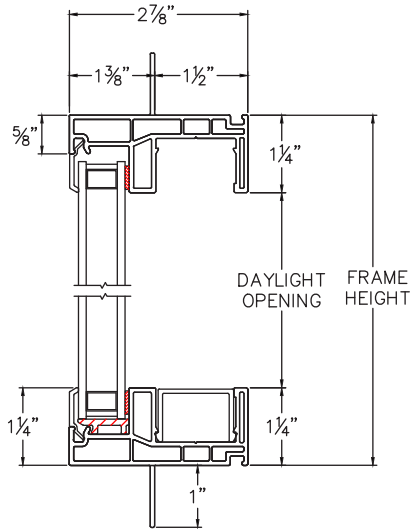
# Picture/Radius Window

1-3/8" Fin Setback - Slider Frame

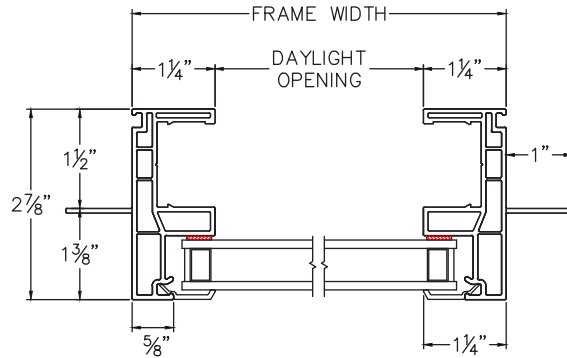
CAD File Scale	View	File Name	Units
NTS	Horizontal & Vertical	6310-01	Inch

More Technical Documents can be found at [milgard.com/professionals](http://milgard.com/professionals)  
Due to continual research and development, details may be changed at any time. ©2013 Milgard Mfg.

## PICTURE WINDOW SERIES 6310



HEAD & SILL



JAMBS

Revit, SketchUp, .PDF and .DWG files can be accessed at [milgard.com/professionals/technical-resources](http://milgard.com/professionals/technical-resources)

[Go back to Quick Links](#)

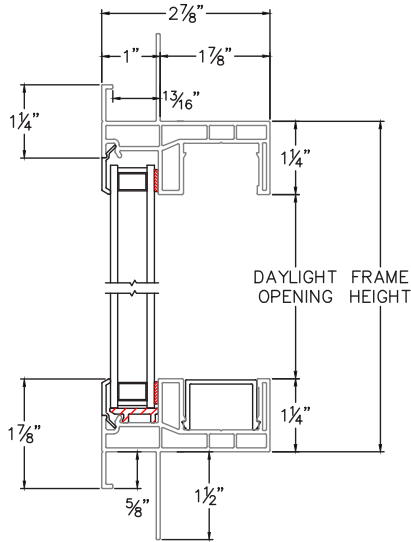
# Picture/Radius Window

1" Fin Setback with J-channel - Slider Frame

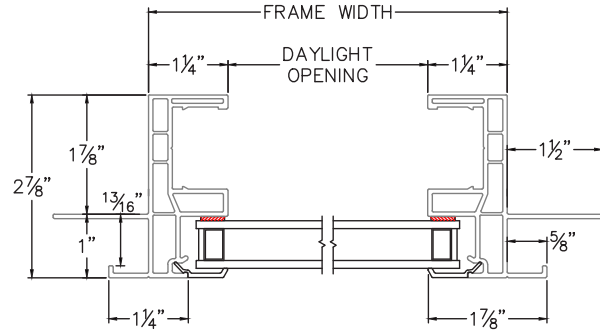
CAD File Scale	View	File Name	Units
NTS	Horizontal & Vertical	6331J-01	Inch

More Technical Documents can be found at [milgard.com/professionals](http://milgard.com/professionals)  
Due to continual research and development, details may be changed at any time. ©2013 Milgard Mfg.

## PICTURE WINDOW SERIES 6331J



HEAD & SILL



JAMBS

Revit, SketchUp, .PDF and .DWG files can be accessed at  
[milgard.com/professionals/technical-resources](http://milgard.com/professionals/technical-resources)

[Go back to Quick Links](#)

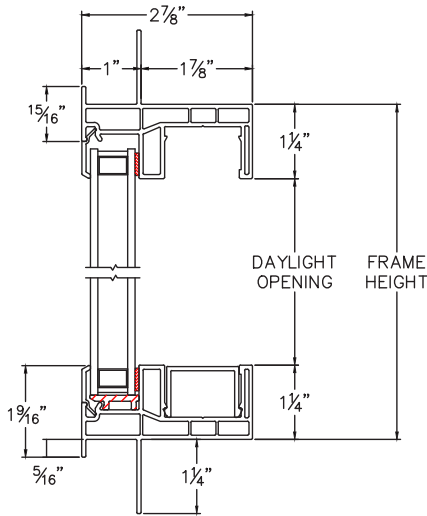
# Picture/Radius Window

1" Fin Setback with Stucco Key - Slider Frame

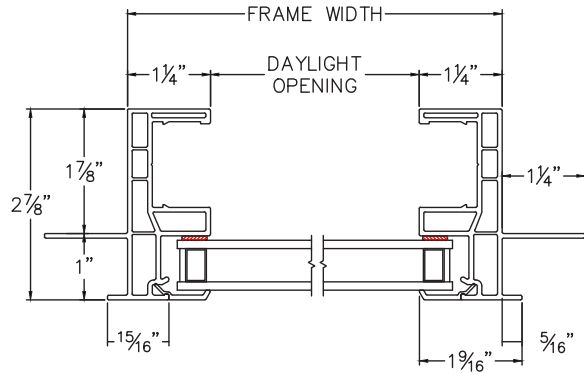
CAD File Scale	View	File Name	Units
NTS	Horizontal & Vertical	6331-01	Inch

More Technical Documents can be found at [milgard.com/professionals](http://milgard.com/professionals)  
Due to continual research and development, details may be changed at any time. ©2013 Milgard Mfg.

## PICTURE WINDOW SERIES 6331



HEAD & SILL



JAMBS

Revit, SketchUp, .PDF and .DWG files can be accessed at [milgard.com/professionals/technical-resources](http://milgard.com/professionals/technical-resources)

[Go back to Quick Links](#)

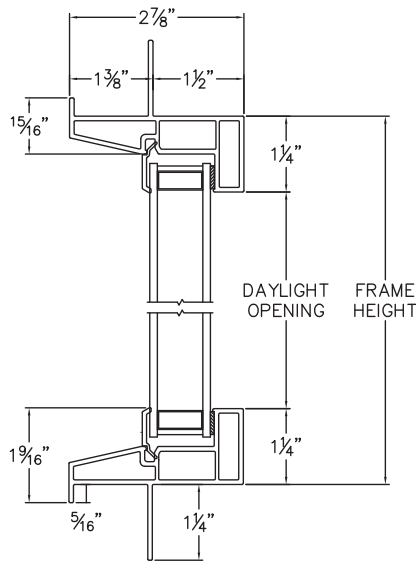
# Picture/Radius Window

1-3/8" Fin Setback with Stucco Key - Step Frame

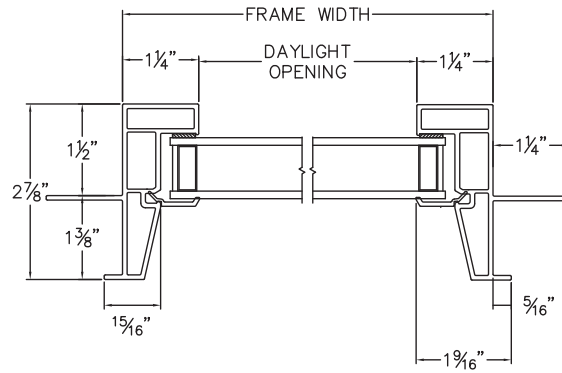
CAD File Scale	View	File Name	Units	Revision
NTS	Horizontal & Vertical	StyleLine_6341_PW_1.375in_stucco	Inch	6/2015

More Technical Documents can be found at [milgard.com/professionals](http://milgard.com/professionals)  
Due to continual research and development, details may be changed at any time. ©2013 Milgard Mfg.

## PICTURE WINDOW SERIES 6341



HEAD & SILL



JAMBS

Revit, SketchUp, .PDF and .DWG files can be accessed at  
[milgard.com/professionals/technical-resources](http://milgard.com/professionals/technical-resources)

[Go back to Quick Links](#)

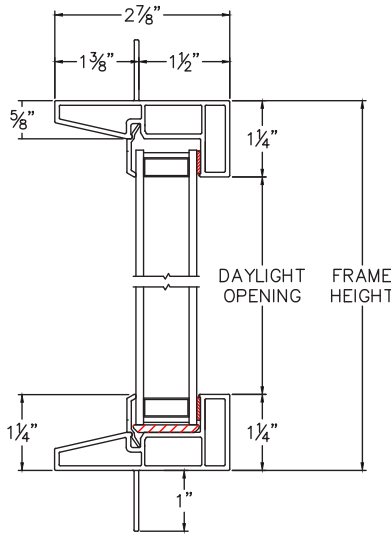
# Picture/Radius Window

1-3/8" Fin Setback - Step Frame

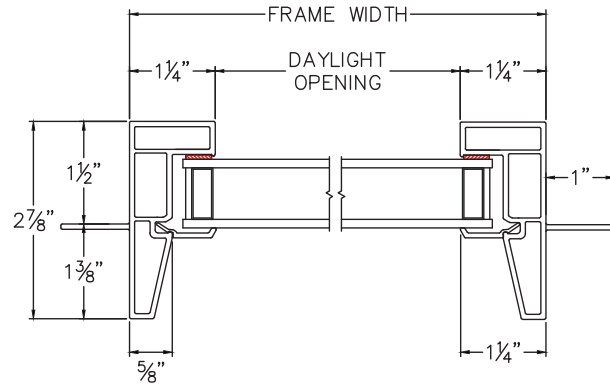
CAD File Scale	View	File Name	Units
NTS	Horizontal & Vertical	6340-01	Inch

More Technical Documents can be found at [milgard.com/professionals](http://milgard.com/professionals)  
Due to continual research and development, details may be changed at any time. ©2013 Milgard Mfg.

## PICTURE WINDOW SERIES 6340



HEAD & SILL



JAMBS

Revit, SketchUp, .PDF and .DWG files can be accessed at [milgard.com/professionals/technical-resources](http://milgard.com/professionals/technical-resources)

[Go back to Quick Links](#)



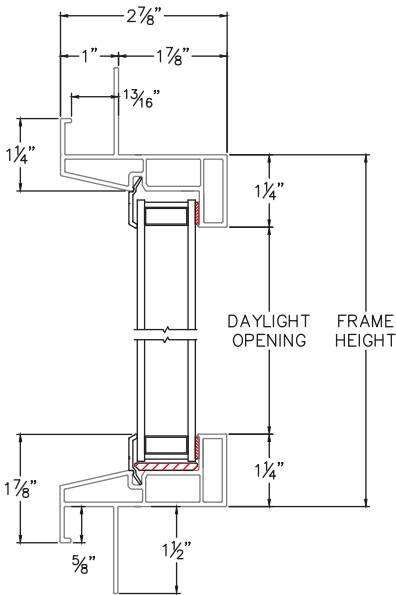
# Picture/Radius Window

1" Fin Setback with J-channel - Step Frame

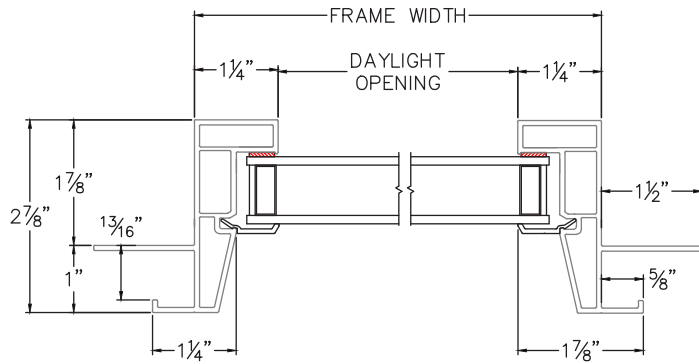
CAD File Scale	View	File Name	Units
NTS	Horizontal & Vertical	6330J-01	Inch

More Technical Documents can be found at [milgard.com/professionals](http://milgard.com/professionals)  
Due to continual research and development, details may be changed at any time. ©2013 Milgard Mfg.

## PICTURE WINDOW SERIES 6330J



HEAD & SILL



JAMBS

Revit, SketchUp, .PDF and .DWG files can be accessed at  
[milgard.com/professionals/technical-resources](http://milgard.com/professionals/technical-resources)

[Go back to Quick Links](#)

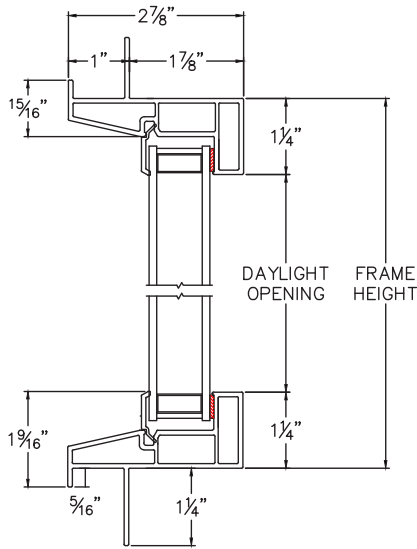
# Picture/Radius Window

1" Fin Setback with Stucco Key - Step Frame

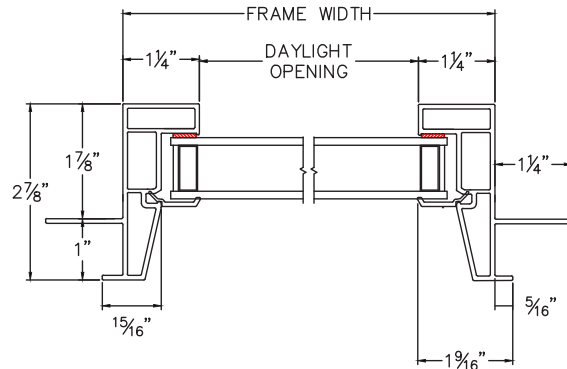
CAD File Scale	View	File Name	Units
NTS	Horizontal & Vertical	6330-01	Inch

More Technical Documents can be found at [milgard.com/professionals](http://milgard.com/professionals)  
Due to continual research and development, details may be changed at any time. ©2013 Milgard Mfg.

## PICTURE WINDOW SERIES 6330



HEAD & SILL



JAMBS

Revit, SketchUp, .PDF and .DWG files can be accessed at [milgard.com/professionals/technical-resources](http://milgard.com/professionals/technical-resources)

[Go back to Quick Links](#)

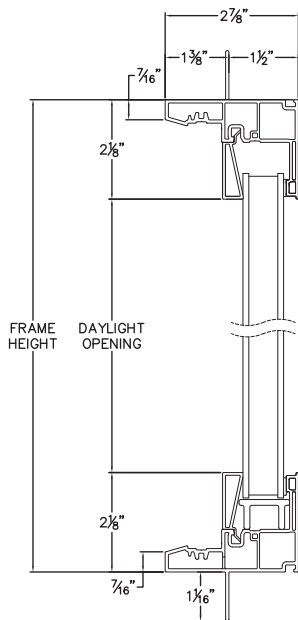
# Picture/Radius Window

1-3/8" Fin Setback - Casement Frame

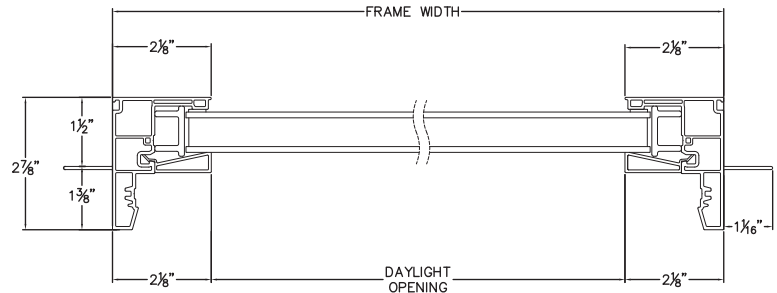
CAD File Scale	View	File Name	Units
NTS	Horizontal & Vertical	StyleLine_6350_PW_from_CA_frame_1.375in	Inch

More Technical Documents can be found at [milgard.com/professionals](http://milgard.com/professionals)  
Due to continual research and development, details may be changed at any time. ©2013 Milgard Mfg.

## CASEMENT PICTURE WINDOW SERIES 6350



HEAD & SILL



JAMBS

Revit, SketchUp, .PDF and .DWG files can be accessed at  
[milgard.com/professionals/technical-resources](http://milgard.com/professionals/technical-resources)

[Go back to Quick Links](#)

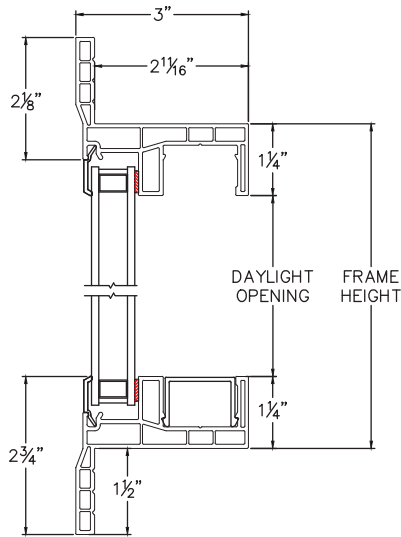
# Picture/Radius Window

1-1/2" Contour Z-bar - Slider Frame

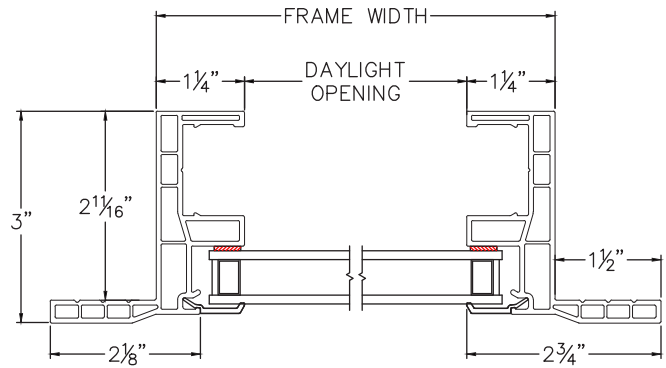
CAD File Scale	View	File Name	Units
NTS	Horizontal & Vertical	6370	Inch

More Technical Documents can be found at [milgard.com/professionals](http://milgard.com/professionals)  
Due to continual research and development, details may be changed at any time. ©2013 Milgard Mfg.

## PICTURE WINDOW SERIES 6370



HEAD & SILL



JAMBS

Revit, SketchUp, .PDF and .DWG files can be accessed at [milgard.com/professionals/technical-resources](http://milgard.com/professionals/technical-resources)

[Go back to Quick Links](#)

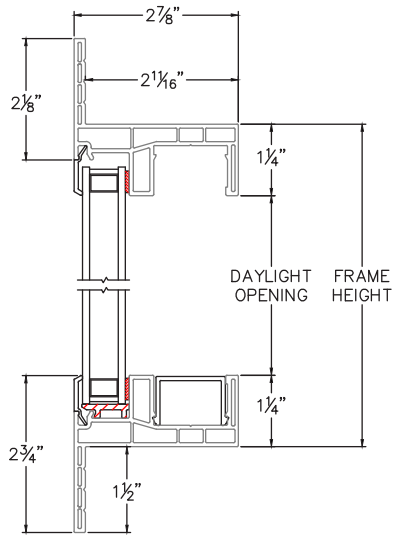
# Picture/Radius Window

1-1/2" Flat Z-bar - Slider Frame

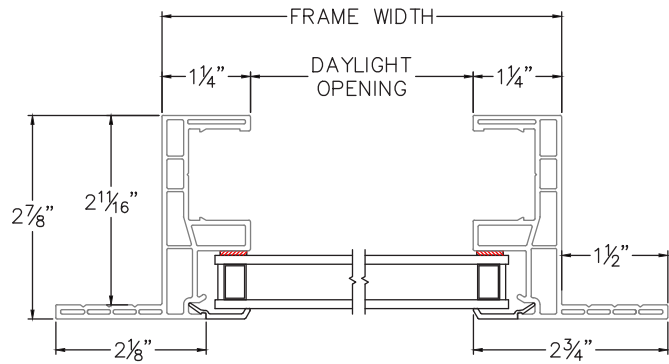
CAD File Scale	View	File Name	Units
NTS	Horizontal & Vertical	6370-01	Inch

More Technical Documents can be found at [milgard.com/professionals](http://milgard.com/professionals)  
Due to continual research and development, details may be changed at any time. ©2013 Milgard Mfg.

## PICTURE WINDOW SERIES 6370



HEAD & SILL



JAMBS

Revit, SketchUp, .PDF and .DWG files can be accessed at  
[milgard.com/professionals/technical-resources](http://milgard.com/professionals/technical-resources)

[Go back to Quick Links](#)