



# SUBURBAN GAS FURNACES

## INSTALLATION INSTRUCTIONS FOR

### SF-20FQ • SF-25FQ • SF-30FQ • SF-35FQ • SF-42FQ



The design of the furnace has been listed for installation in recreational vehicles only. In order for the furnace to operate in conformity with generally accepted safety regulations, the installation instructions must be followed. Failure to comply with the installation instructions will void the warranty on the furnace and any responsibility on the part of Suburban Manufacturing Company.

The furnace was inspected before it left the factory. If any parts are found to be damaged, do not install the furnace. Immediately contact the transportation company and file a claim.

**FOR YOUR SAFETY**

**WHAT TO DO IF YOU SMELL GAS:**

- Extinguish any open flame.
- Evacuate all persons from the vehicle.
- Shut off the gas supply at the gas container or source.
- Do not touch any electrical switch, or use any phone or radio in the vehicle.
- Do not start the vehicle's engine or electric generator.
- Contact the nearest gas supplier or qualified service technician for repairs.
- If you cannot reach a gas supplier or qualified service technician, contact the nearest fire department.
- Do not turn on the gas supply until the gas leak(s) has been repaired.

This book contains instructions covering the operation and maintenance of your furnace.

**INSTALLER: LEAVE THIS MANUAL WITH THE APPLIANCE.**

**CONSUMER: RETAIN THIS MANUAL FOR FUTURE REFERENCE.**

Should you require further information, contact your dealer or nearest Suburban Service Center.

**FOR YOUR SAFETY**

**DO NOT STORE OR USE GASOLINE OR OTHER FLAMMABLE VAPORS AND LIQUIDS IN THE VICINITY OF THIS OR ANY OTHER APPLIANCE.**

**WARNING!** Improper installation, adjustment, alteration, service or maintenance can cause property damage, personal injury or loss of life. Refer to the installation instructions and/or owners manual provided with this appliance. Installation and service must be performed by a qualified installer, service agency or the gas supplier.

**WARNING!** Be sure the furnace and all ignition systems are "OFF" during any type of refueling and while vehicle is in motion or being towed.

## INSTALLATION INSTRUCTIONS

**WARNING!** Installation of this appliance must be made in accordance with the written instructions provided in this manual. No agent, representative or employee of Suburban or other person has the authority to change, modify or waive any provision of the instructions contained in this manual.

THESE FURNACES ARE DESIGNED AND INSTALLED IN SUCH A MANNER AS TO BE REMOVABLE ONLY FROM WITHIN LIVING AREA OF THE RECREATIONAL VEHICLE.

IF UNIT IS TO BE INSTALLED VERTICALLY, YOU MUST USE KIT #520965 (INSTALLATION INSTRUCTIONS ARE ENCLOSED IN KIT).

**CAUTION:** If possible, do not install the furnace to where the vent can be covered or obstructed when any door on the trailer is opened. If this is not possible, then the travel of the door must be restricted in order to provide a 6" minimum clearance between the furnace vent and any door whenever the door is opened.

**NOTE:** The exhaust temperature of this furnace could discolor or warp some materials. You should verify that the material used on the coach door, panel, or cover will not discolor or warp from the exhaust temperature whenever any door, panel, or cover is in the open position.

**CAUTION:** Due to the differences in vinyl siding, this appliance should not be installed on vinyl siding without first consulting with the manufacturer of the siding or cutting the siding away from the area around the appliance vent.

**CAUTION:** In any installation in which the vent of this appliance can be covered due to the construction of the RV or some special feature of the RV such as slide out, pop-up etc. always insure that the appliance cannot be operated by setting the thermostat to the positive "OFF" position and shutting off all electrical and gas supply to the appliance. Never operate furnace with vent covered.

**NOTE:** These furnaces must be installed and vented as described in this manual so that the negative pressure created by the air circulating (return air) fan cannot affect the combustion air intake or venting of any other appliance. It is imperative that the products of combustion be properly vented to the atmosphere and that all combustion air supplied to burner be drawn from the outside atmosphere. (See Installing Vent Assembly.)

**NOTE:** Do not install the furnace with the vent facing toward the forward end of the coach. See figures 7 and 8.

**IMPORTANT:** If this furnace is to be connected to a common duct system also serving a cooling unit, a manual or automatic damper is required to prevent any cold conditioned air from circulating back into the furnace. Cold air passing over the furnace combustion chamber during the operation of the cooling unit can result in the formation of condensation inside the furnace combustion chamber. This condensation may promote corrosion and premature failure of the combustion chamber.

**NOTE:** These furnaces shall be installed so the electrical components are protected from water.

These furnaces are design certified for propane/LP gas only. Do not attempt to convert to natural gas.

Gas supply pressure for purposes of input adjustment:  
Minimum - 11" W.C.\* Maximum - 13" W.C. \*  
(W.C.\* - Water Column).

In the U.S.A., the installation of the furnace must be in accordance with local codes and regulations. In the absence of local codes and regulations, refer to the latest edition of:

1. Standard for Recreational Vehicles NFPA 1192.
2. National Fuel Gas Code ANSI Z223.1/NFPA 54.
3. Furnace must be electrically grounded in accordance with the latest edition of the National Electrical Code NFPA 70.

In Canada, the furnace must be installed in accordance with:

1. Standard CSA Z240.0.2-08 Recreational Vehicles.
2. CSA Standard Z240.6.2-08 C22.2 NO.148-08 Electrical Requirements for Recreational Vehicles.
3. Standard Z240.4.2-08 Installation Requirements for Propane Appliances and Equipment in Recreational Vehicles.
4. CAN/CGA-B149 Installation Codes.
5. Any applicable local codes and regulations.

This unit is equipped with an electric igniter device that has an energy consumption of .1 amp @ 12 volts D.C.

## RETURN AIR

There are two (2) methods described below for installing the furnace. Regardless of the method you choose, we require that a permanent opening be provided in the interior cabinetry of the coach directly in front of the furnace. The opening must allow for free, unobstructed removal of the furnace. This opening may be used as a means of providing circulating return air to the furnace. Other openings may be used as well.

It is important that adequate return air be provided to assure normal heating and operation of the furnace. Failure to provide the minimum return air will cause erratic furnace cycling. Refer to the chart shown below for minimum return air requirements.

**NOTE:** Return air must be from within the living area of the coach.

**NOTE:** RV's that have a wall of separation to a cargo area (Toy Box) to transport internal combustion engine vehicles must not have return air openings from this area.

Return Air Requirements Minimum Free (unobstructed) Area	
Model	
SF-20/25/30/35FQ	55 Sq. In.
SF-42FQ	142 Sq. In.* *may be reduced to 88 sq. in. min. if 5 ducts are used.

TABLE 1

## INSTALLING THE FURNACE

**NOTE:** Before installing the furnace "X" dimension as illustrated in Figure 2 must be determined.

1. Locate the furnace near lengthwise center of the coach.
2. Choose a location for installation out of the way of wires, pipes, etc., which might interfere with the installation. Adhere to the minimum clearances from the cabinet to combustible construction as listed in Table 2. Refer to Figure 3 for illustration of furnace clearances.

**NOTE:** Side and top clearances may be "0" for through the wall installations up to a maximum of 3" wall thickness. (See Figure 1.)

3. When an appliance is installed directly on carpeting, tile or other combustible material, other than wood flooring, the appliance shall be installed on a metal or wood panel extending the full width and depth of the appliance. If preferred, the carpeting, tile or combustible materials, other than wood may be cut away the full length and depth of the appliance plus the appliance minimum clearances to combustibles. (See Table 2.)
4. Determine "x" dimension as shown in Figure 2. The tubes supplied with the furnace will accommodate an installation range for "x" from 1-1/2" - 3" If "x" dimension is less than 1-1/2" or greater than 3", then special vent tubes as charted in Figure 2 must be ordered.

**WARNING!** Do not alter, cut or otherwise modify the vent tubes as supplied by Suburban. Doing so could result in inadequate intake of combustion air or improper venting of furnace exhaust.

5. After determining "x" dimension, complete the furnace installation as follows:

### A. IF INSTALLED DIRECTLY AGAINST OUTER SKIN OR "X" DIMENSION IS 0 - 1-1/2"

1. Vent Kit 520767 must be ordered. Do not cut or alter the vent tubes supplied with the furnace.
2. Cut an opening through the inner wall 17-3/4 x 8". This will allow the rear of the furnace to be installed against the outer skin of the coach. (See Figure 1.)
3. Cut two 2-1/4" diameter holes through the outer skin of the coach, as shown in Figure 1.
4. Put furnace in place, making sure that rear of furnace cabinet is as close to outer skin of coach as possible and still assure proper vent tube overlap. (See Installing Vent Assembly.) Secure furnace to cabinet. (See Figure 1.)
5. Secure furnace to the floor using two (2) hole provided in the furnace cabinet. (See Figure 1.)
6. Install vent assembly. (See instructions for installing vent.)

### B. IF NOT INSTALLED AGAINST OUTER SKIN AND "X" DIMENSION GREATER THAN 1-1/2"

1. Determine "x" dimension as illustrated in Figure 2. Tube length for "x" dimension are charted. Special tubes, if needed, must be ordered.
2. Locate center lines for exhaust and intake tubes as shown Figure 1. Cut two 2-3/4" diameter holes through coach wall for exhaust and intake. (See Figure 2.)
3. Put furnace in place and secure furnace to cabinet.
4. Secure furnace to the floor using the two (2) holes provided in the furnace cabinet. (See Figure 1.)
5. Install vent assembly. (See instructions for Installing Vent.)
6. Reinstall cabinet front.

Model	Front	Left Side	Right Side	Top	Bottom	Back	Exhaust and Intake Tube
SF-20FQ	1"	0"	0"	0"	0"	0"	3/8"
SF-25FQ	1"	0"	0"	0"	0"	0"	3/8"
SF-30FQ	1"	0"	0"	0"	0"	0"	3/8"
SF-35FQ	1"	0"	0"	0"	0"	0"	3/8"
SF-42FQ	1"	2"	2"	1"	0"	0"	3/8"

**-NOTE-  
0" MEANS TO SPACER BUMPS  
CLEARANCE FROM DUCTS TO  
COMBUSTIBLE MATERIAL - 1/4" (See Figure 3)**

TABLE 2

## INSTALLING VENT ASSEMBLY

The vent outlet must be installed so it is in the same atmospheric pressure zone as the combustion air intake. The exhaust and intake tubes must be installed from the outside, pass through the RV skin and slide onto the furnace exhaust and intake.

**WARNING!** Do not alter the vent assembly supplied with this furnace. Any modifications will result in improper installation which could cause unsafe furnace operation.

**CAUTION!** Combustion air must not be drawn from the living area. All air for combustion must be drawn from the outside atmosphere. All exhaust gases must be vented to the outside atmosphere - never inside the RV. Therefore, it is essential to insure that the vent cap and tube assemblies are properly installed.

1. Apply caulking to RV skin behind vent cap as shown in Figure 1. Apply caulking generously around perimeter of vent cap and across center as shown.
2. Insert intake tube through RV skin and slide it onto the furnace intake (See Figure 2.) Minimum tube overlap of 1/2" is required.
3. Insert vent cap exhaust tube through RV skin and slide it onto the furnace exhaust (See Figure 2.) Minimum tube overlap of 1 1/4" is required.
4. Attach vent cap assembly to outer skin of RV with the six (6) screws provided. Do not install vent assembly upside down. The word "Suburban" must be right side up.

## CONNECTING GAS SUPPLY

Connect the gas supply to the furnace at the manifold, following the suggestions outlined below. It will be necessary to hold the flare fitting on the furnace manifold when connecting or loosening gas line.

**NOTE:** The compound used on threaded joints must be resistant to liquefied petroleum (LP) gas.

**NOTE:** The appliance must be disconnected from the gas supply piping system during any pressure testing of that system at test pressure in excess of 1/2 PSIG.

The appliance must be isolated from the gas supply piping during any pressure testing of the gas supply piping system at test pressure equal to or less than 1/2 PSIG.

1. Connect gas line to the 3/8" elbow at the front of the furnace. (See Figure 1.) Some standards may require the use of a manual shut off valve in the gas line external to the furnace cabinet.
2. In order to maintain a check of gas supplied pressure to the furnace, Suburban advises the installer to provide the 1/8" NPT plug tap for test gauge connection immediately upstream of the gas supply connection to the furnace and that it be readily accessible.
3. After the furnace has been connected to the gas supply, all joints must be checked for leaks.

**WARNING!** Never check for leaks with an open flame. Turn on the gas and apply soapy water to all joints to see if bubbles are formed.

## CONNECTING ELECTRICAL SUPPLY

**CAUTION: This furnace is designed for negative ground 12 volt D.C. system only. Do not attempt to alter the furnace for a positive ground system or connect the furnace directly to 115 volts A.C. Damage to furnace component parts will occur. Connect only to a protected circuit fused for not more than 20 amps.**

Be sure all wiring to the furnace is of heavy enough gauge to keep the voltage drop through it to a minimum and to provide enough power for start-up surge. No. 12 gauge wire is recommended. If any of the original wire that is supplied with the appliance must be replaced, it must be replaced with type 105° C or its equivalent.

Power supply connections are to be on the right side of the furnace. The wires are color coded, red for positive (+) and yellow for negative (-). This polarity must be observed so the furnace motor will run the proper direction of rotation to insure correct air delivery. (See wiring diagram.)

If the furnace power supply is to be from a converter, we recommend that the converter system used to power the furnace be wired in parallel with the battery. This will serve two purposes:

1. Provide a constant voltage supply to the furnace.
2. Filter any A.C. spikes or volt surges.

## CONNECTING DUCTS TO FURNACE

The following duct requirements must be followed in order to assure proper operation of the furnace:

A. The minimum open duct areas listed below must be maintained throughout entire duct system including through register:

MODEL	SIDE DUCTS			TOP DUCT	BOTTOM DUCT
	Min. Open Duct Area	Min No. Ducts Used	Duct Size	Min. Open Duct Area	Min. Open Duct Area
SF-20FQ	25 SQ. IN.	2	4"	56 SQ. IN.	56 SQ. IN.
SF-25FQ	36 SQ. IN.	3	4"	56 SQ. IN.	56 SQ. IN.
SF-30FQ	36 SQ. IN.	3	4"	56 SQ. IN.	56 SQ. IN.
SF-35FQ	48 SQ. IN.	4	4"	56 SQ. IN.	56 SQ. IN.
SF-42FQ	48 SQ. IN.	4	4"	56 SQ. IN.	*72 SQ. IN.

\*SF-42Q Bottom Duct requires use of Bottom Duct Kit, Part No. 520753

\*\*SF-20/25/30Q has two 4" round ducts available off of cabinet front.

\*\*\*SF-35/42Q has three 4" round ducts available off of cabinet front. This front is not to be used on SF-20/25/30Q

**NOTE:** Ducts terminating in a dead air space (like holding tank compartments or cargo areas (Toy Boxes) with no means for return air recirculation should not be counted in the required duct area. Also ducts 2" in diameter or smaller should not be counted in the required duct area.

- B. No outlet register is to be placed within 18" of the return air opening. Any register installed at 18" should never be adjusted to blow the outlet air toward the return air opening. If a register is installed on a wall 90 degrees to the return air, it can be less than the 18".
- C. Make the duct connections at the furnace cabinet tight. Loose connections will result in overheating of the component parts on the furnace and a reduction of the heated air flow through the duct system.
- D. Avoid making any sharp turns in the duct system. Sharp turns will increase the static pressure in the plenum area and could cause the furnace to cycle.
- E. Avoid making a lot of turns in the duct system. The straighter the duct system, the better the performance of the furnace.
- F. Maintain a minimum of 1/4" clearance where ducts pass through any combustible construction, such as coach cabinetry. (See Figure 3.) **NOTE:** UL listed duct materials can be 0" clearance.
- G. Do not install air boosters in the duct system. Such devices will cause the furnace to cycle on limit and to have erratic sail switch operation.

**NOTE:** After installation of the furnace and duct system is completed, adjustments must be made to obtain a temperature rise within the range specified on the Rating Plate.

## INSTALLING THERMOSTAT

The thermostat used with this unit must have NO voltage output to return leg when there is not a call for heat or in the "OFF" setting.

Locate the room thermostat approximately 4-1/2 feet above the floor on an inside bulkhead where it is not affected by heat from any source except room air. Connect thermostat wiring to the blue wire and blue-white striped wire (blue-white striped wire is power to the thermostat) on right side of furnace. (See wiring diagram.) If your furnace is equipped with a thermostat that has an adjustable anticipator, the anticipator should be set at .7 amps. If you desire longer heating cycles, adjust the anticipator to a higher setting. If you desire shorter heating cycles, adjust the anticipator to a lower setting. Adjustments to the anticipator setting should be made in .5 amp increments.

## PREVENTIVE MAINTENANCE

**WARNING!** If the user of this appliance fails to maintain it in the condition in which it was shipped from the factory or if the appliance is not used solely for its intended purpose or if appliance is not maintained in accordance with the instructions in this manual, then the risk of a fire and/or the production of carbon monoxide exists which can cause personal injury, property damage or loss of life.

**CAUTION: Label all wires before disconnecting for servicing. Proper polarity must be observed so the furnace motor will run with the proper direction of rotation to insure correct air delivery. (See wiring diagram).**

**CAUTION: Label all wires prior to disconnection when servicing controls. Wiring error can cause improper and dangerous furnace operation.**

**Always verify proper operation of furnace after servicing.**

Your furnace should be inspected by a qualified service agency yearly before turning the furnace on. Particular attention should be given to the following items:

1. Inspect furnace installation and vent termination to be sure furnace is properly secured in place (see Installation Instructions), that vent terminates to the atmosphere, and that vent tubes overlap properly (see Installing Vent Assembly.)
2. Inspect chamber and venting to assure that these components are physically sound without holes or excessive corrosion and that the installation and/or re-installation is in accordance with Suburban's installation instructions. (Reference installation manual supplied with furnace.)

**WARNING!** It is imperative that the products of combustion be properly vented to atmosphere and that all combustion air supplied to burner be drawn from outside atmosphere.

3. Check the base on which furnace is mounted. Be sure it is physically sound, void of any sagging, deterioration, etc.
4. Inspect furnace, the venting, ducting and gas piping to furnace for obvious signs of deterioration. Correct any defects at once.
5. Inspect combustion chamber for restrictions in exhaust or intake. It is imperative that the flow of intake combustion air and the flow of exhaust gases being expelled to the outside atmosphere not be obstructed. Any soot or loose debris should be blown out using compressed air. (See Figure 6.)
6. Inspect all gaskets. If any gaskets show signs of leakage or deterioration, replace them. Safe operation of the furnace depends on all gaskets being tight.
7. Inspect return air inlet openings to the furnace. Remove any restrictions to assure adequate air flow.

**You, as the owner/user, should inspect the furnace monthly during the heating season for presence of soot on vent. Operating the furnace under this condition could lead to serious property damage, personal injury or loss of life. If soot is observed on the vent, immediately shut the furnace down and contact a qualified service agency.**

Listed below are several safety related items that you should follow during the heating season to assure continued safe operation of the furnace.

1. Inspect furnace venting. Venting must be free of obstructions, void of soot, and properly terminated to the atmosphere. (See Installing Vent Assembly.)

**WARNING!** Do not install screens over the vent for any reason. Screens will become restricted and cause unsafe furnace operation. Accessories are being marketed for RV products which we do not recommend. For your safety, only factory authorized parts are to be used on your furnace.

2. Periodically inspect the vent for obstructions or presence of soot. Soot is formed whenever combustion is incomplete. This is your visual warning that the furnace is operating in an unsafe manner. If soot is present, immediately shut furnace down and contact your dealer or a qualified service person.
3. Keep furnace clean. More frequent cleaning may be required due to excessive lint from carpeting, bedding material, etc. It is imperative that control compartments, burners and circulating air passageways of the appliance be kept clean.

4. The motor is permanently lubricated and requires no oiling.
5. Keep the furnace area clear of any combustible materials, gasoline or other flammable vapor and liquids.
6. Before operating furnace, check the location of the furnace vent to make sure it will not be blocked by the opening of any door on the trailer. If it can be blocked, do not operate the furnace with the door open.
7. Do not restrict the flow of combustion air or the warm air circulation to the furnace. To do so could cause personal injury and/or death.
8. Never operate the furnace if you smell gas. Do not assume that the smell of gas in your RV is normal. Any time you detect the odor of gas, it is to be considered life threatening and corrected immediately. Extinguish any open flames including cigarettes and evacuate all persons from the vehicle. Shut off gas supply at LP gas bottle. (See safety notice on front cover of this manual.)
9. Immediately shut furnace down and call a service agency if furnace cycles erratically or delays on ignition.

**WARNING!** Should overheating occur, or the gas supply fail to shut off, shut off the manual gas valve to the appliance before shutting off the electrical supply.

10. Never attempt to repair damaged parts. Always have them replaced by a qualified service agency.
11. Never attempt to repair the furnace yourself. Seek the help of a qualified service person.
12. Never restrict the ducting installed by your trailer manufacturer. To do so could cause improper furnace operation.
13. Do not install air boosters in the duct system. Such devices will cause the furnace to cycle and to have erratic sail switch operation.
14. Clothing or other flammable material should not be placed on or near the appliance.
15. Always follow the operating instructions. Do not deviate from the step-by-step procedures.
16. Do not use this appliance if any part has been submerged under water. Immediately call a qualified service technician to inspect the appliance and to replace any part of the control system and any gas control that has been submerged under water.
17. When considering add-on rooms, porch or patio, attention must be given to the venting of your furnace. For your safety, do not terminate furnace vent inside add-on rooms, screen porch or onto patios. Doing so will result in products of combustion being vented into the room or occupied areas.
18. In any installation in which the vent of this appliance can be covered due to the construction of the RV or some special feature of the RV such as slide out, pop-up, etc. always insure that the appliance cannot be operated by setting the thermostat to the positive "OFF" position and shutting off all electrical and gas supply to the appliance. Never operate furnace with vent covered.

## INSTALLATION AND REMOVAL OF UNIT

### TO REMOVE

1. Disconnect power supply at furnace.
2. Remove vent cap assembly.
3. Disconnect gas connections.
4. Remove cabinet front (2 screws).
5. Remove tie-down screw from center of unit and remove furnace from cabinet.

### TO INSTALL

1. Slide unit into cabinet. **NOTE:** Care must be taken in routing wiring to back of cabinet and outside of cabinet.
2. Reinstall tie-down screw, securing chamber assembly to cabinet.
3. Reinstall cabinet front.
4. Connect gas line.
5. Check gas connections for leaks using a soap and water solution. Correct any gas leaks immediately.
6. Reinstall vent cap assembly.
7. Reconnect power supply.

## OPERATING INSTRUCTIONS

**WARNING!** Do not operate furnace while vehicle is in motion or being towed.

**NOTE:** During initial firing of this furnace, a burn-off of excess paint and oils remaining from manufacturing process may cause "smoking" for 5 - 10 minutes.

1. STOP! Read Users Information Manual supplied with furnace.
2. Turn the manual valve (if so equipped) or the valve at the outside LP tank to the "OFF" position. Do not force.
3. Set thermostat above room temperature to begin blower operation. A slight delay will occur before the blower comes on. Allow blower to run for 5 minutes for combustion chamber purge cycle. If blower does not come on or stops before ignition cycle, go to shut down and contact your dealer or a local recreational vehicle service agency.
4. After 5 minutes, move thermostat lever below room temperature. Blower will remain on. Wait approximately 2 minutes for blower to go off.

5. Open manual shut-off valve (if so equipped) or the valve at the outside LP tank. Correct operating characteristics depend on the valve being positioned fully open. Never attempt to operate with a valve partially closed. **NOTE:** This furnace is equipped with a valve shut-off switch, with switch in "OFF" position. Gas will not flow to burner nor will the furnace operate.
6. Set thermostat lever to desired setting. If set above room temperature, blower will come on.
7. Allow 30 seconds for main burner to light after blower comes on. This furnace is equipped with an ignition device which automatically lights the burner. Do not try to light the burner by hand.
8. If burner does not light, repeat Steps 1 through 8.
9. If after three (3) attempts with no ignition, go to shut down and contact your dealer or a local recreational vehicle service agency. Do not continue to cycle furnace through thermostat in an attempt to get ignition. **NOTE:** If furnace should lock out, the blower will go off in 5 minutes and remain off until unit is reset by reactivating thermostat.

### TO SHUT DOWN

1. Set the thermostat to lowest setting, then move lever to "OFF" position.
2. Turn manual shut off valve (if so equipped) to the "OFF" position. Do not force.

## ELECTRODE ADJUSTMENT

For consistent ignition of the burner, it is important that the electrode be positioned properly over the top of the burner. The electrode was set at the factory for proper ignition and should not need further adjustment; however, if you should experience inconsistent ignition, reposition electrode as follows:

Equipment needed:

flashlight • black felt-tip pen • needle-nose pliers • measuring tape

**NOTE:** Furnace must be removed. (See instructions for removing unit.)

1. Remove burner from combustion chamber by removing six (6) screws which attach the burner to the chamber and air baffles (plates).
2. Locate the lance in relation to the burner ports for electrode positioning by:
  - a. Shine a flashlight into the burner venturi as illustrated. (Be sure flashlight lens is against the end of the burner.)
  - b. Light will reflect off the lance in the venturi of the burner and shine through a portion of the two (2) rolls of burner ports in the top of the burner.
  - c. Using a black felt-tip pen, mark a line along top of burner 3/16" in back of the lance and parallel with lance. Make an additional mark indicating the center line of the lance. (See illustration.) Both marks will be used later as reference marks; therefore, keep lines thin.
3. Reassemble the burner.
4. Adjust electrode so the electrode probe is positioned along the marked center line of the burner lance and the tip of the electrode terminates 3/16" from the back of the lance. (At the line marked in Step 2-c.) (See Figure 4.)
5. **IMPORTANT:** Be sure electrode probe maintains a 1/8" spark gap over the burner as illustrated.
6. Reinstall the furnace into the cabinet following the instructions in the manual.

## PARTS AND SERVICE

Contact a conveniently located recommended Suburban Service Center. Describe to them the nature of your problem, make an appointment, if necessary, and provide for delivery of your RV with the appliance installed.

To obtain information on locating a local service agency, contact:

**AIRXCEL, Inc., Suburban Division**  
 Customer Service Department  
 676 Broadway Street  
 Dayton, TN 37321  
 (423) 775-2131 Ext. 7101  
 www.AIRXCEL.com

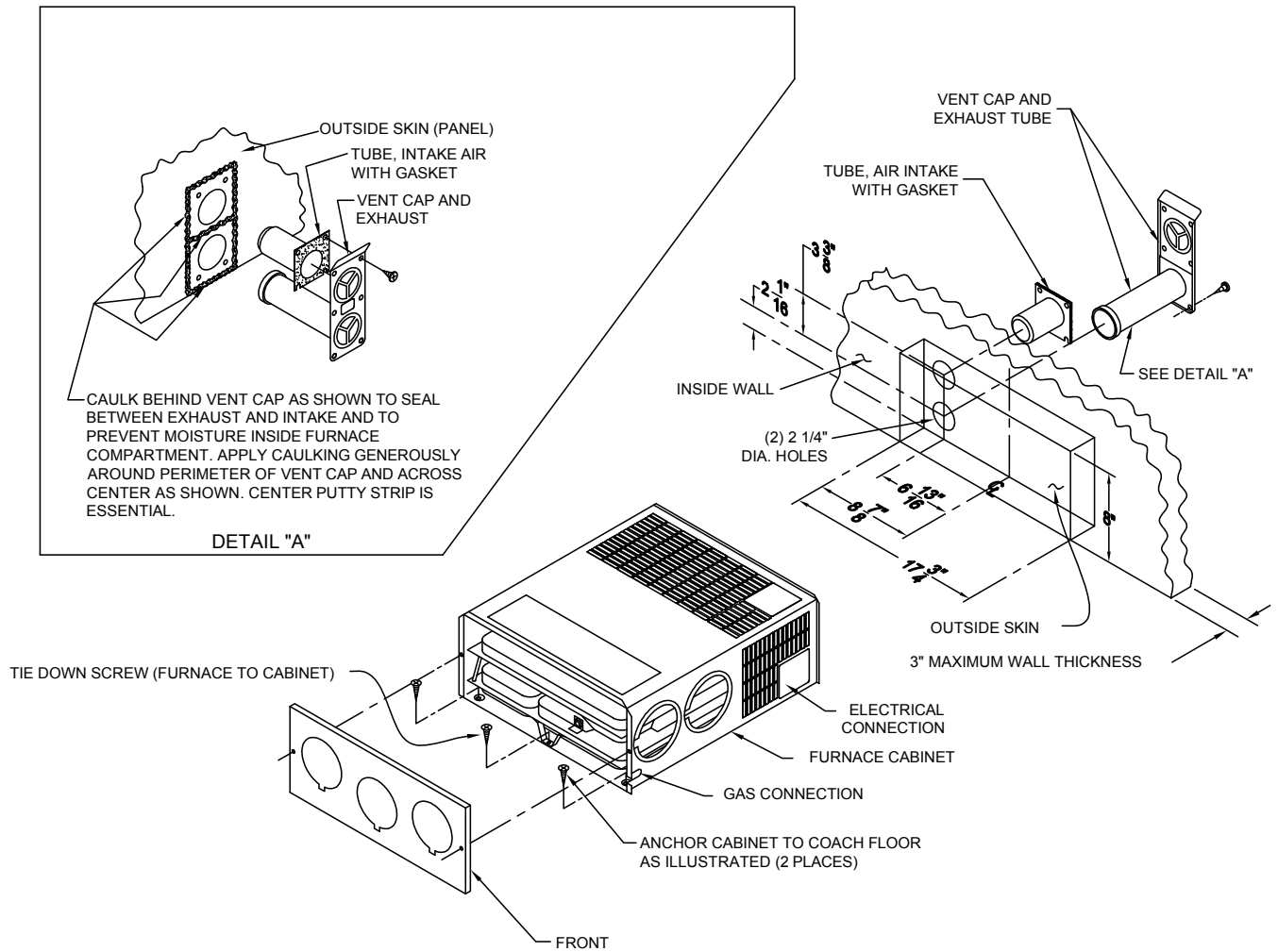
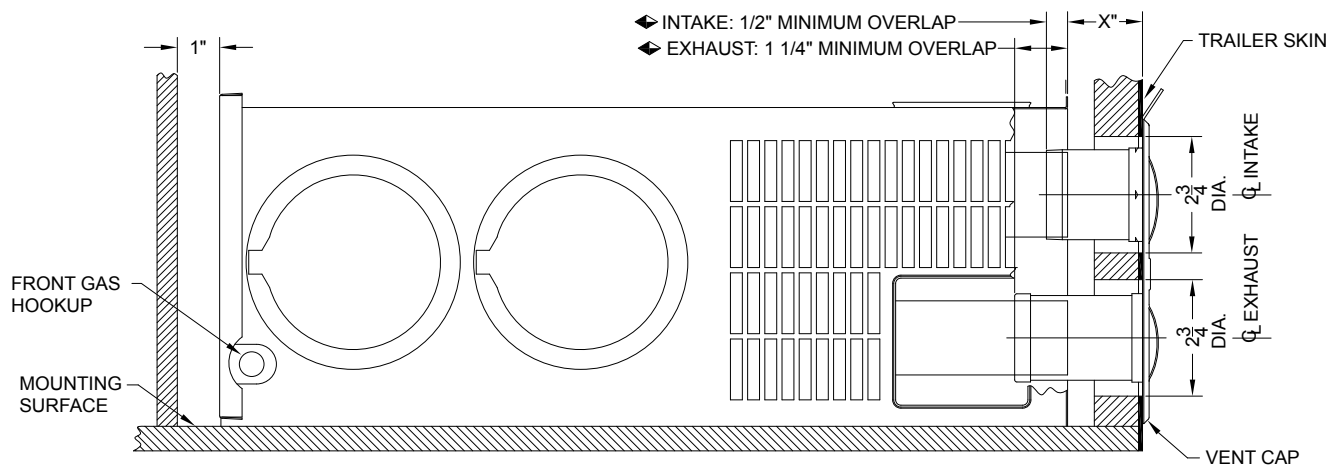


Figure 1

**SF-20FQ, SF-25FQ, SF-30FQ, SF-35FQ, SF-42FQ, STANDARD VENT INSTALLATION**

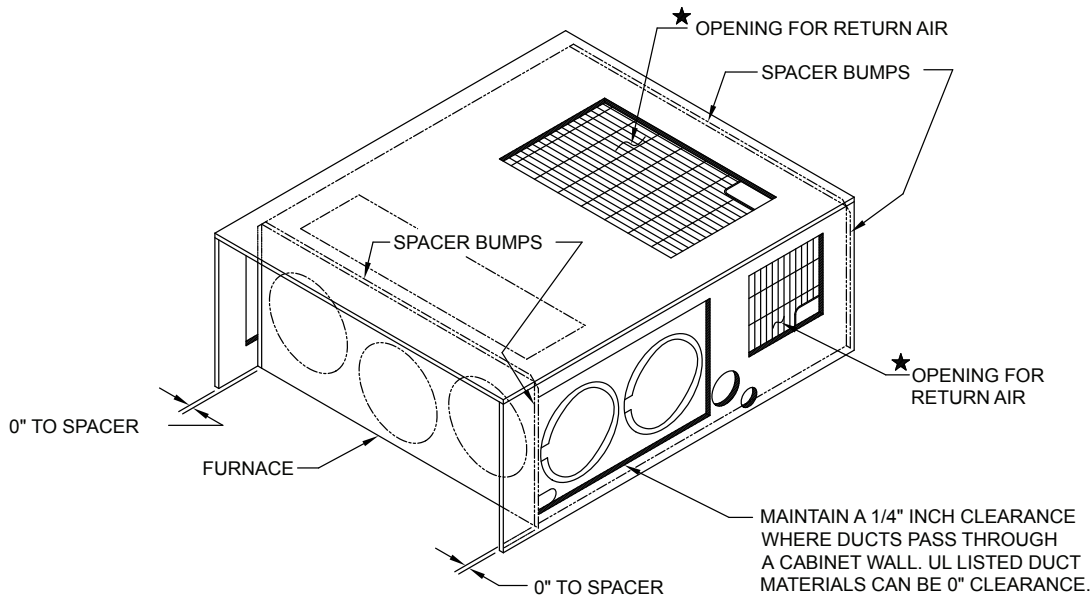


X" DIMENSION	EXTENSION TUBES KIT NO.
0" TO 1 1/2"	520767
1 1/2" TO 3"	★ USE VENT SUPPLIED WITH FURNACE
3" TO 4 1/2"	520768
4 1/2" TO 7 1/2"	520968
7 1/2" TO 9"	520551

◆ NEVER INSTALL THE EXHAUST TUBE WITH LESS THAN 1 1/4" OVERLAP, OR THE INTAKE TUBE WITH LESS THAN 1/2" OVERLAP.

★ STANDARD VENT ASSEMBLY FURNISHED WITH FURNACE. SPECIAL EXTENSION TUBES, IF NEEDED, MUST BE ORDERED SEPARATELY. EXTENSION KITS COME WITH COMPLETE INSTALLATION INSTRUCTIONS.

Figure 2



★ THE TOTAL, FREE, UNOBSTRUCTED RETURN AIR OPENING TO THE FURNACE MUST NOT BE LESS THAN THE MINIMUM SPECIFIED.

Figure 3

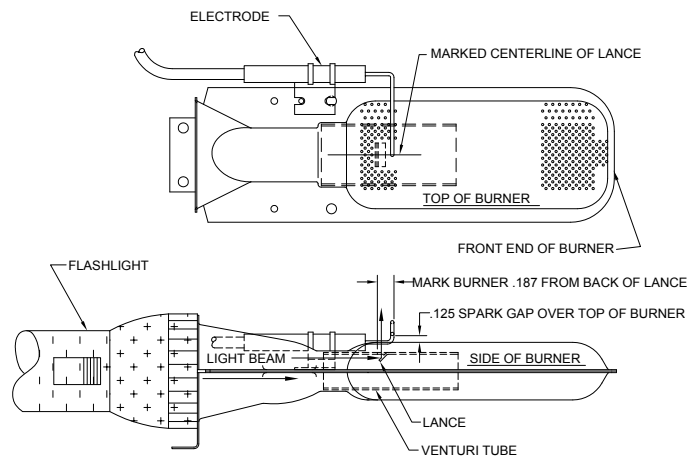


Figure 4

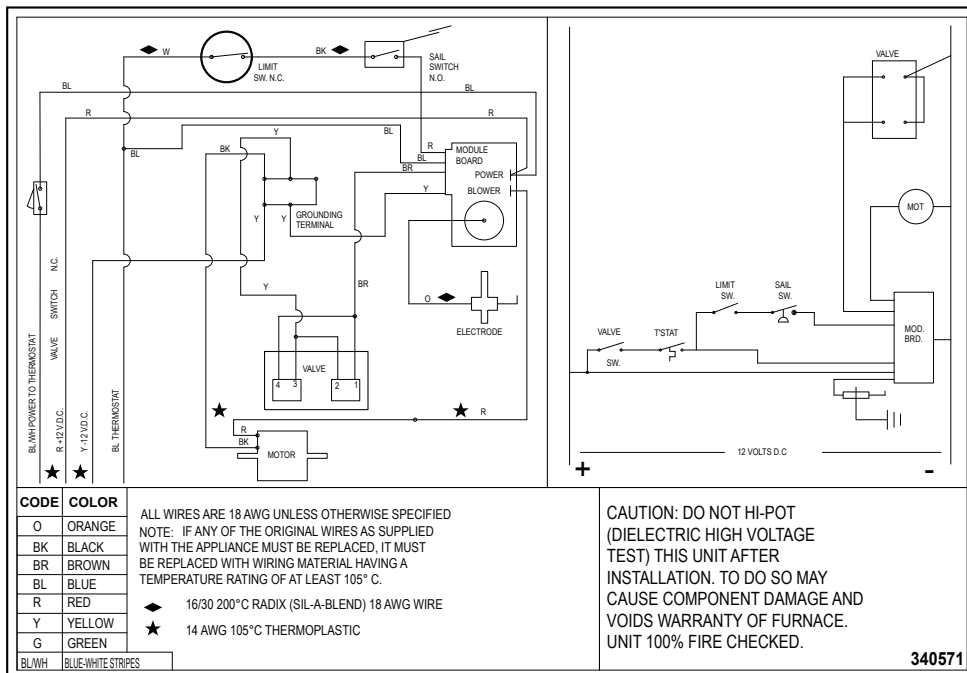
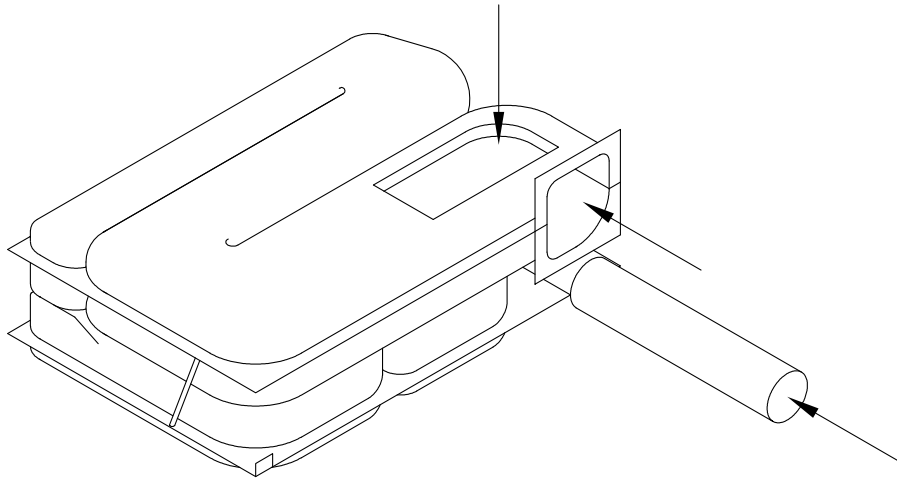


Figure 5



TO CLEAN THE CHAMBER, THE FURNACE MUST BE REMOVED FROM THE CABINET AND THE MANIFOLD, BLOWER ASSEMBLY AND CONTROLS REMOVED LEAVING THE CHAMBER ONLY, AS SHOWN. USING COMPRESSED AIR, BLOW THROUGH THE CHAMBER, AS SHOWN BY ARROWS, TO REMOVE SOOT OR LOOSE DEBRIS.

Figure 6

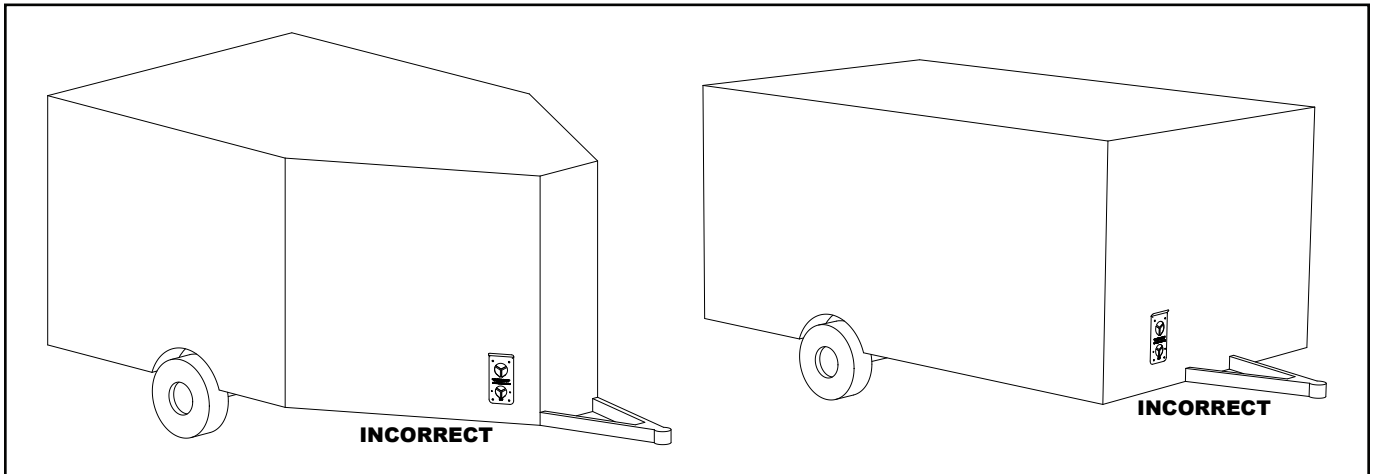


Figure 7

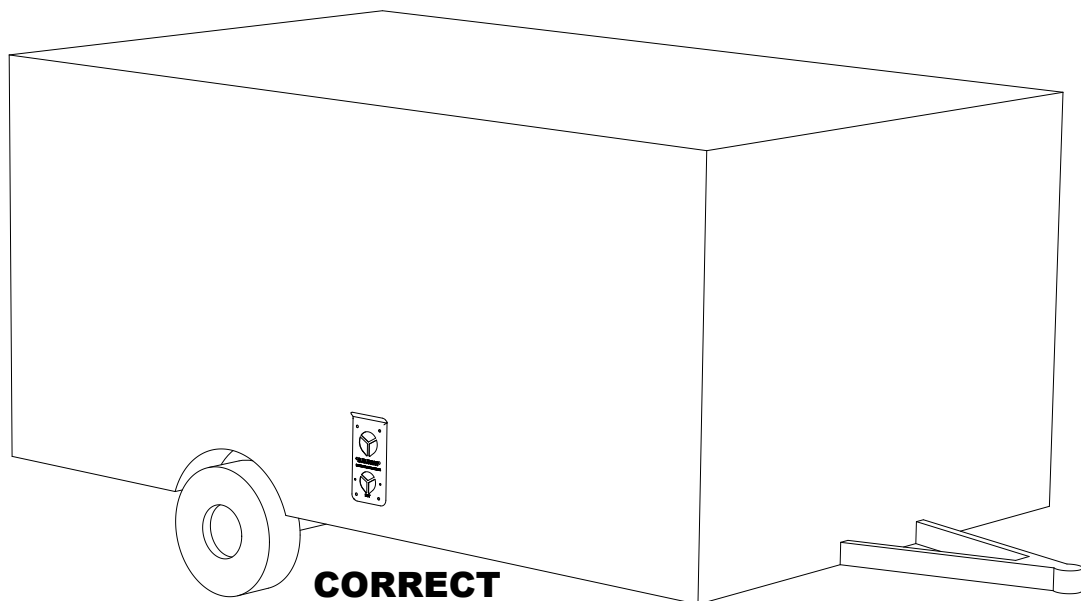


Figure 8

# TWO YEAR LIMITED WARRANTY

## SUBURBAN RECREATIONAL VEHICLE FURNACE

### TWO YEAR LIMITED WARRANTY

This Suburban product is warranted to the original purchaser to be free from defects in material and workmanship under normal use and maintenance for a period of two years from date of purchase whether or not actual use begins on that date. It is the responsibility of the consumer/owner to establish the warranty period. Suburban does not use warranty registration cards for its standard warranty. You are required to furnish proof of purchase date through a Bill of Sale or other payment records.

Suburban will replace any parts that are found defective within the first two years and will pay a warranty service allowance directly to the recommended Suburban Service Center at rates mutually agreed upon between Suburban and its recommended service centers. Replacement parts will be shipped FOB the shipping point within the Continental United States, Alaska and Canada to the recommended service center performing such repairs. All freight, shipping and delivery cost shall be the responsibility of the owner. The exchanged part or unit will be warranted for only the unexpired portion of the original warranty. Before having warranty repairs made, confirm that the service agency is a recommended service center for Suburban. DO NOT PAY THE SERVICE AGENCY FOR WARRANTY REPAIRS; SUCH PAYMENTS WILL NOT BE REIMBURSED.

Suburban reserves the right to examine the alleged defect in the furnace or component parts, and it is the owner's obligation to return the furnace and/or component parts to Suburban or its representative. When returning a furnace, it must include all component parts and the serial number plate. Returned component parts must be individually tagged and identified with the furnace's model number, serial number and date of installation.

For warranty service, the owner/user should contact the nearest recommended Suburban Service Center, advising them of the model and serial numbers (located on the furnace) and the nature of the defect. Transportation of the RV to and from the Service Center and/or travel expenses of the Service Center to your location is the responsibility of the owner/user. A current listing of recommended service centers may be obtained from Suburban's website, [www.AIRXCEL.com](http://www.AIRXCEL.com). If you cannot locate a recommended service center locally, the service agency chosen to perform warranty repairs must contact our Service Department at 423-775-2131 for authorization before making repairs. Unauthorized repairs made will not be paid by Suburban.

### THREE YEAR LIMITED WARRANTY ON HEAT EXCHANGER

The furnace heat exchanger is further warranted to be free from defects in material and workmanship during the third through fifth year after the date of original purchase. A replacement heat exchanger will be provided under the same conditions as stated in the two year warranty EXCEPT no labor reimbursement will be provided.

### LIMITATION OF WARRANTIES

ALL IMPLIED WARRANTIES (INCLUDING IMPLIED WARRANTIES OF MERCHANTABILITY) ARE HEREBY LIMITED IN DURATION TO THE PERIOD FOR WHICH EACH LIMITED WARRANTY IS GIVEN. SOME STATES DO NOT ALLOW LIMITATIONS ON HOW LONG AN IMPLIED WARRANTY LASTS SO THE ABOVE LIMITATIONS MAY NOT APPLY TO YOU. THE EXPRESSED WARRANTIES MADE IN THIS WARRANTY ARE EXCLUSIVE AND MAY NOT BE ALTERED, ENLARGED, OR CHANGED BY ANY DISTRIBUTOR, DEALER OR OTHER PERSON WHOMSOEVER.

### SUBURBAN WILL NOT BE RESPONSIBLE FOR:

1. Normal maintenance as outlined in the installation, operating and service instructions owner's manual including cleaning of component parts; such as, orifices and burners.
2. Initial checkouts and subsequent checkouts which indicate the furnace is operating properly, or diagnosis without repair.
3. Damage or repairs required as a consequence of faulty or incorrect installation or application not in conformance with Suburban instructions.
4. Failure to start and/or operate due to loose or disconnected wires; water or dirt in controls, fuel lines and gas tanks; restriction or alteration of return air circulation; low voltage.
5. Routine adjustments that may be required to the thermostat, electrode and burner.
6. Costs incurred in gaining access to the furnace.
7. Parts or accessories not supplied by Suburban.
8. Freight charges incurred from parts replacements.
9. Damage or repairs needed as a consequence of any misapplication, abuse, unreasonable use, unauthorized alteration, improper service, improper operation or failure to provide reasonable and necessary maintenance.
10. Suburban products whose serial number has been altered, defaced or removed.
11. Suburban products installed or warranty claims originating outside the Continental U.S.A., Alaska, Hawaii and Canada.
12. Damage as a result of floods, winds, lightning, accidents, corrosive atmosphere or other conditions beyond the control of Suburban.
13. ANY SPECIAL, INDIRECT OR CONSEQUENTIAL PROPERTY, ECONOMIC OR COMMERCIAL DAMAGE OF ANY NATURE WHATSOEVER.

Some states do not allow the exclusion of incidental or consequential damages, so the above limitation may not apply to you.

NO REPRESENTATIVE, DEALER, RECOMMENDED SERVICE CENTER OR OTHER PERSON IS AUTHORIZED TO ASSUME FOR SUBURBAN MANUFACTURING COMPANY ANY ADDITIONAL, DIFFERENT OR OTHER LIABILITY IN CONNECTION WITH THE SALE OF THIS SUBURBAN PRODUCT.

This warranty gives you specific legal rights, and you may also have other rights which vary from state to state.

### IF YOU HAVE A PRODUCT PROBLEM

#### FIRST:

If your RV has its original furnace and is still under the RV manufacturer's warranty, follow the steps suggested by your dealer or manufacturer of the RV.

#### SECOND:

Contact a conveniently located recommended Suburban Service Center. Describe to them the nature of your problem, make an appointment, if necessary, and provide for delivery of your RV to the selected service center.

#### THIRD:

For the location of the nearest service center, refer to the listing provided or contact:

Suburban Manufacturing Company  
Customer Service Department  
676 Broadway Street  
Dayton, Tennessee 37321  
(423) 775-2131, Ext. 7101  
[www.AIRXCEL.com](http://www.AIRXCEL.com)

#### FOR FUTURE REFERENCE, YOU SHOULD RECORD THE FOLLOWING INFORMATION:

MODEL NUMBER: \_\_\_\_\_

SERIAL NUMBER: \_\_\_\_\_

STOCK NUMBER: \_\_\_\_\_

DATE OF PURCHASE: \_\_\_\_\_





DATE D'ACHAT:	_____
NOMBRE D'IMAGES:	_____
NUMERO DE SERIE:	_____
NUMERO DE MODELE:	_____
<b>POUR RÉFÉRENCE ULTÉRIEURE, VOUS DEVEZ ENREGISTRER LES INFORMATIONS SUIVANTES:</b>	

Suburban Manufacturing Company  
Customer Service Department  
676 Broadway Street  
Dayton, Tennessee 37321  
(423) 775-2131, Ext. 1710  
www.AIRXCEL.com

**TOUJOURS ABORD :** Si le véhicule récréatif est encore équipé de son chauffe-eau d'origine et est encore couvert par la garantie de son constructeur, procéder conformément aux instructions de concessionnaire ou constructeur de votre véhicule récréatif.  
**DEUXIÈME :** Contacter un centre de service Suburban recommandé peu éloigné. Décrire la nature du problème au technicien, prendre rendez-vous si c'est nécessaire, et organiser la livraison de votre véhicule récréatif au centre de service choisi.  
**TROISIÈME :** Pour localiser le centre de service de réparation le plus proche, référez-vous à la liste fournie ou contactez:

Cette garantie vous confère des droits juridiques spécifiques; vous pouvez également jouir d'autres droits, variables d'une province à une autre.

PRODUIT SUBURBAN.  
AUCUN REPRÉSENTANT, CONCESSIONNAIRE, CENTRES DE SERVICE RECOMMANDÉ OU AUTRE PERSONNE N'EST AUTORISÉ À ASSUMER AU NOM DE SUBURBAN MANUFACTURING COMPANY DES OBLIGATIONS ADDITIONNELLES OU DIFFÉRENTES EN RAPPORT AVEC LA VENTE DE CE

- Certains provinces n'admettent pas l'exclusion des dommages secondaires ou indirects; par conséquent, la limitation ci-dessus peut ne pas vous être applicable.
13. DOMMAGES SECONDAIRES OU INDIRECTS MATÉRIELS, ÉCONOMIQUES OU COMMERCIAUX, QUELLE QU'EN SOIT LA NATURE.
12. Dommages imputables à inondation, vent, foudre, accident, atmosphère corrosive et autres situations que Suburban ne peut contrôler.
11. Produits Suburban installés ou utilisés hors des zones géographiques suivantes: états continentaux des E.-U., Alaska, Hawaii et Canada.
10. Produits Suburban dont le numéro de série a été modifié, éliminé ou rendu illisible.
9. Dommages ou réparations imputables à toute utilisation impropre, irraisonnée ou abusive, modification non autorisée, travaux d'entretien incorrects, utilisation incorrecte ou carence d'entretien.
8. Frais de transport afférents au remplacement de pièces.
7. Pièces ou accessoires non fournis par Suburban.
6. Frais rendus nécessaires pour l'accès à l'appareil.
5. Nettoyage ou réglage pour composants, électrode, tube de brûleur, brûleur de vieille et thermocouple.
4. Impossibilité de mise en marche et/ou de fonctionnement imputable à déficiences des fils ou raccords, présence d'eau ou souillures dans les organes de commande, canalisations de combustible et réservoir de gaz; pression de gaz incorrecte; tension électrique insuffisante.
3. Dommages ou réparations imputables à une installation défective ou à une application non conforme aux instructions de Suburban.
2. Inspection initiale et inspections ultérieures indiquant que l'appareil fonctionne correctement, ou diagnostic sans réparation.
1. Entretien normal, tel qu'il est défini dans les instructions d'installation, utilisation et entretien du manuel de l'utilisateur, ceci incluant le nettoyage des composants et le nettoyage ou remplacement du brûleur.

### SUBURBAN N'ACCEPTERA AUCUNE RESPONSABILITÉ AU TITRE DE :

LA PÉRIODE DE VALIDITÉ DES GARANTIES IMPLICITES (CECI INCLUANT LES GARANTIES IMPLICITES DE QUALITÉ MARCHANDE) EST EXPRESSÉMENT LIMITÉE À LA DURÉE DE CHAQUE PÉRIODE DE GARANTIE LIMITÉE ACCORDÉE. CERTAINES PROVINCES N'ADMETTENT PAS LA LIMITATION DE LA DURÉE DE VALIDITÉ DES GARANTIES IMPLICITES; PAR CONSÉQUENT, LES LIMITATIONS CI-DESSUS PEUVENT NE PAS VOUS ÊTRE APPLICABLES. MODIFIÉES, ÉTENDUES OU PROLONGÉES PAR UN DISTRIBUTEUR, CONCESSIONNAIRE OU AUTRE PERSONNE.

### LIMITATION DES GARANTIES

Suburban ne remboursera aucun frais de main-d'œuvre. L'échangeur thermique est également garanti comme étant exempt de vice de matériau ou de fabrication pendant une période de trois ans à compter de la date de l'acquisition initiale. Un chauffe-eau de remplacement sera fourni dans les mêmes conditions déjà indiquées pour la garantie de deux années. À L'EXCEPTION QUE

### GARANTIE LIMITÉE SUR L'ÉCHANGEUR THERMIQUE - TROIS ANS

Suburban se réserve le droit d'examiner les défauts incriminés dans le chauffe-eau ou l'un de ses composants. Il est du devoir du propriétaire de renvoyer le chauffe-eau au composant a Suburban ou à son représentant. Lors du renvoi du chauffe-eau, celui-ci doit inclure tous les composants ainsi que la plaque contenant le numéro de série. Les composants renvoyés doivent être individuellement marqués du modèle de chauffe-eau ainsi que du numéro de série et de la date d'installation. Pour obtenir les services nécessaires sous votre garantie, le propriétaire devra contacter le plus proche centre de service Suburban recommandé, en mentionnant le modèle et le numéro de série (indiqués sur l'appareil), et la nature de l'anomalie. Le propriétaire/utilisateur doit assumer les frais de transport du véhicule récréatif entre son domicile et le centre de service, ou les frais de déplacement du personnel du centre de service. On peut obtenir une liste récente des centres de service recommandés à l'adresse: www.AIRXCEL.com. Advenant qu'il n'y ait pas de centre de service agréé local, le personnel du centre de service choisi pour l'exécution de travaux sous garantie doit contacter notre département de service au numéro 423-775-2131 avant d'effectuer les réparations pour obtenir une autorisation. Suburban ne paiera pas les réparations effectuées sans autorisation.

### POUR DES RÉPARATIONS SOUS GARANTIE; CES FRAIS NE VOUS SERONT PAS REMBOURSÉS.

Le propriétaire devra assumer tous les frais de fret, expédition et livraison. Une pièce ou un composant remplacé ne bénéficie de la garantie que pendant la fraction non écoulée de la période de garantie d'origine. Avant de faire effectuer des réparations sous garantie, vérifier que l'établissement de réparation est un centre de service recommandé par Suburban. NE PAS PAYER DES FRAIS DE MAIN-D'ŒUVRE AUX ÉTABLISSEMENTS DE RÉPARATION de rachat sera expédiés F.-à-B. point d'expédition au centre de service Suburban recommandé effectuant les réparations dans les états continentaux des États-Unis, en Alaska et au Canada. Le propriétaire devra assumer tous les frais de fret, expédition et livraison. Une pièce ou un composant remplacé ne bénéficie de la garantie que pendant la fraction non écoulée de la période de garantie d'origine. Avant de faire effectuer des réparations sous garantie, vérifier que l'établissement de réparation est un centre de service recommandé par Suburban. NE PAS PAYER DES FRAIS DE MAIN-D'ŒUVRE AUX ÉTABLISSEMENTS DE RÉPARATION

Ce produit Suburban est garanti au bénéfice du premier acquéreur comme étant exempt de vice de matériau ou de fabrication, lorsqu'il est soumis aux conditions normales d'utilisation et d'entretien, pendant une période de deux ans à compter de la date d'achat, que l'appareil soit ou non mis en service à cette date. C'est au consommateur/propriétaire qu'incombe la responsabilité de faire la preuve de la période de garantie. Suburban n'utilise pas de carte d'enregistrement de la garantie pour sa garantie standard. Le propriétaire doit soumettre une preuve de la date d'achat, comme une facture ou un autre document attestant du paiement.

### GARANTIE LIMITÉE DE DEUX ANNÉES

# SUBURBAN - CHAUFFAGE POUR VÉHICULE RÉCRÉATIF GARANTIE LIMITÉE DE DEUX ANNÉES

Figure 8

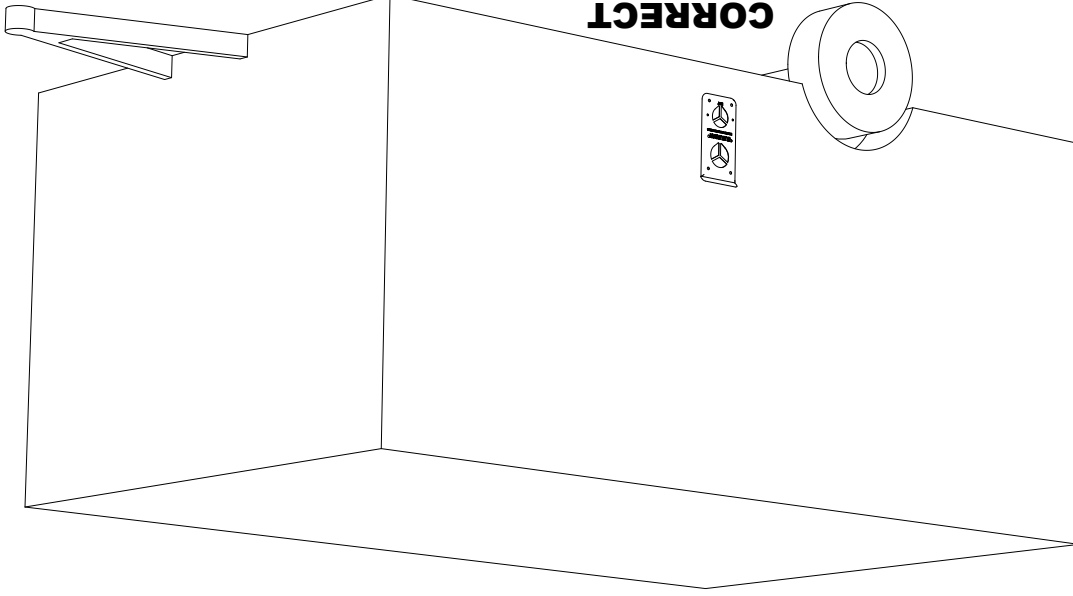


Figure 7

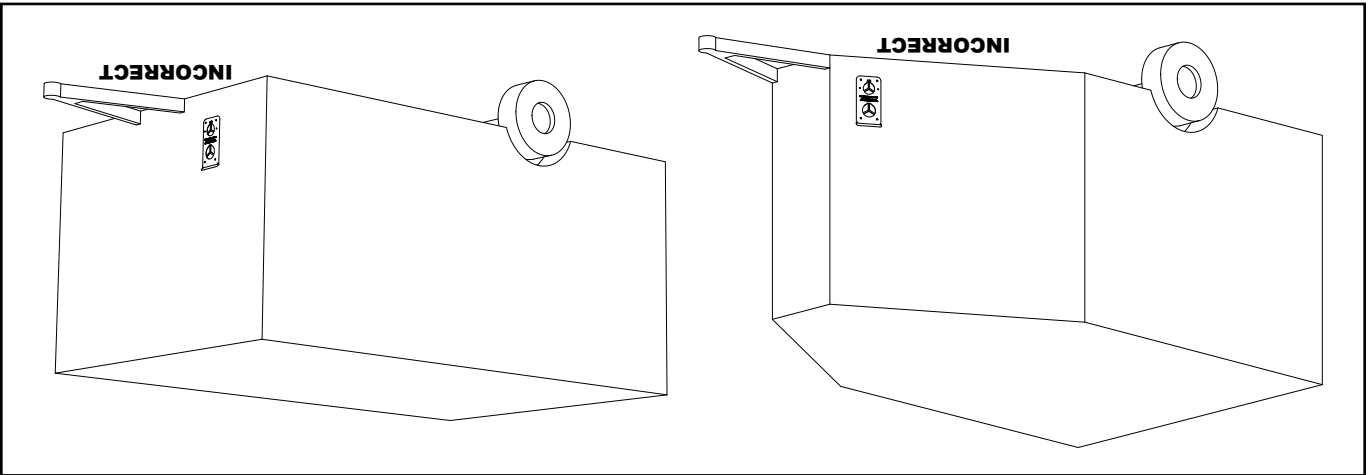
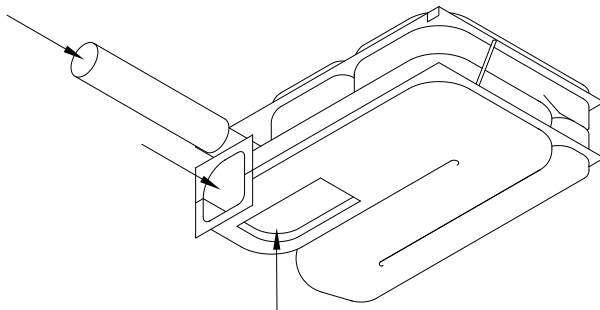


Figure 6

Pour le nettoyage de la chambre de combustion, on doit retirer l'appareil de la caisse, et retirer également le ventilateur et les organes de commande: il ne doit rester que la chambre de combustion, comme on le voit sur l'illustration. Injecter de l'air comprimé dans la chambre selon les indications des fleches pour expulser la suite et les débris.



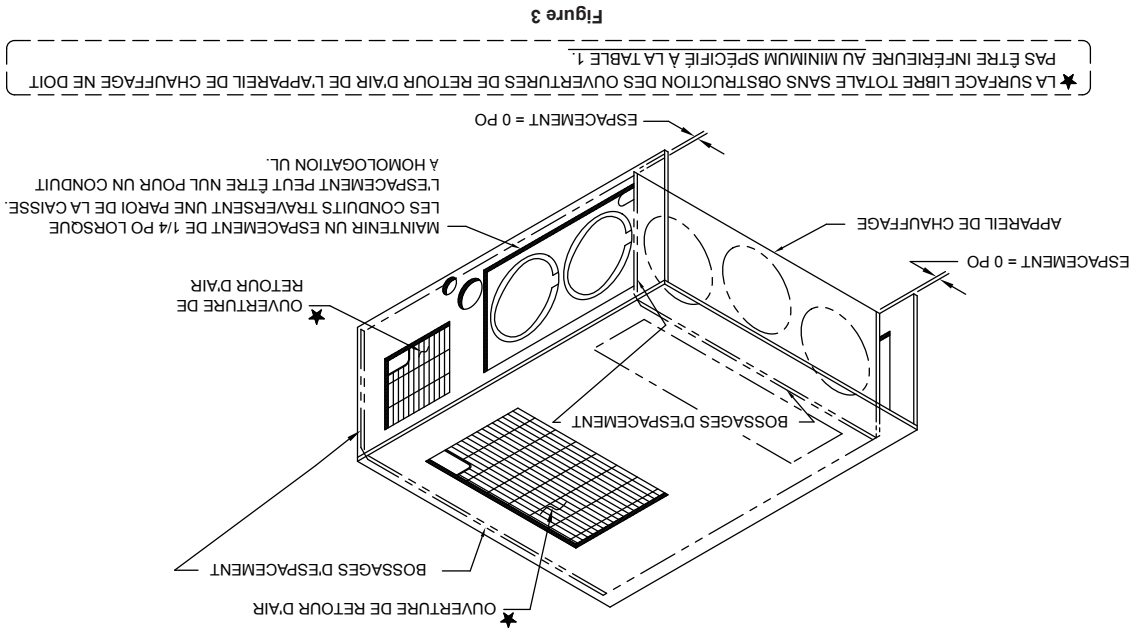
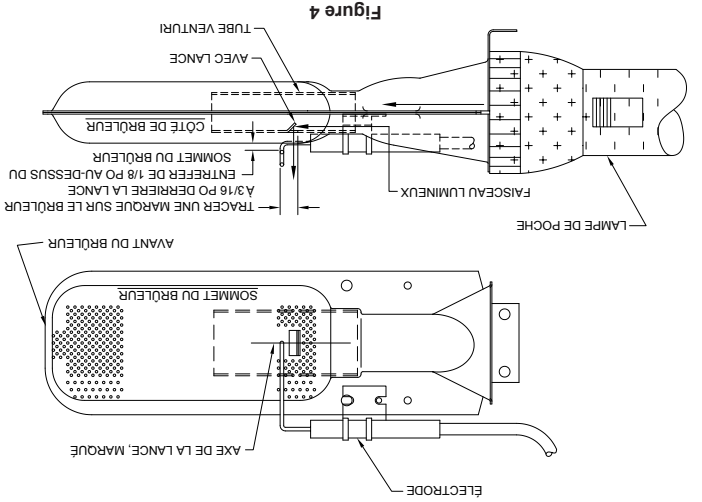
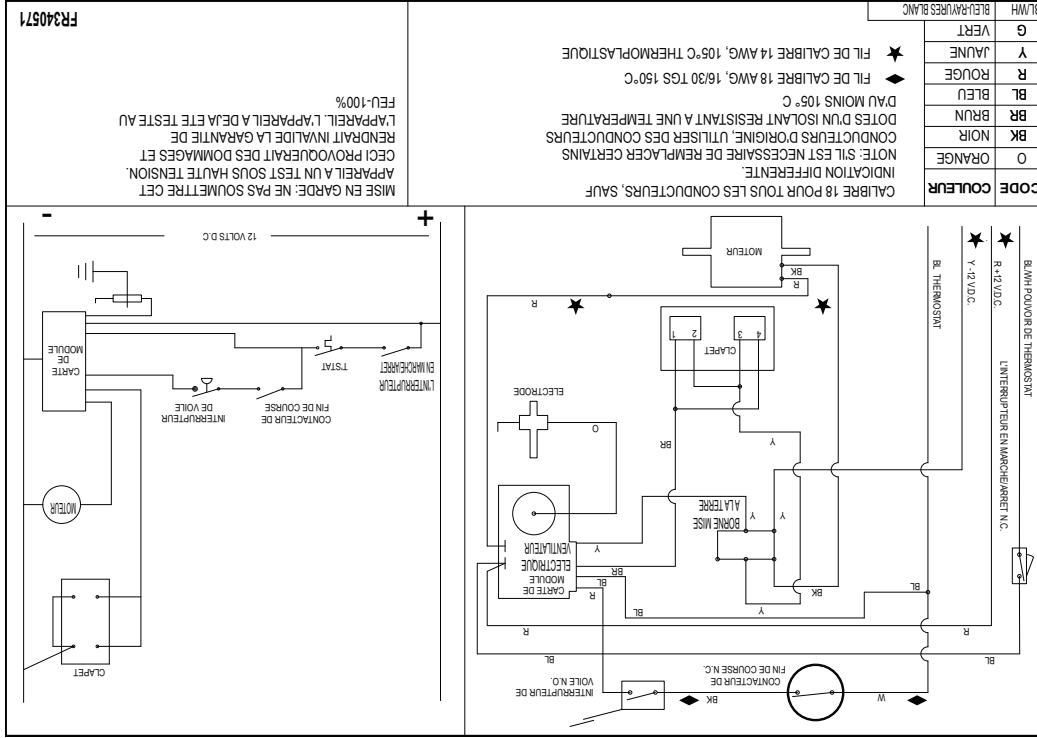


Figure 2

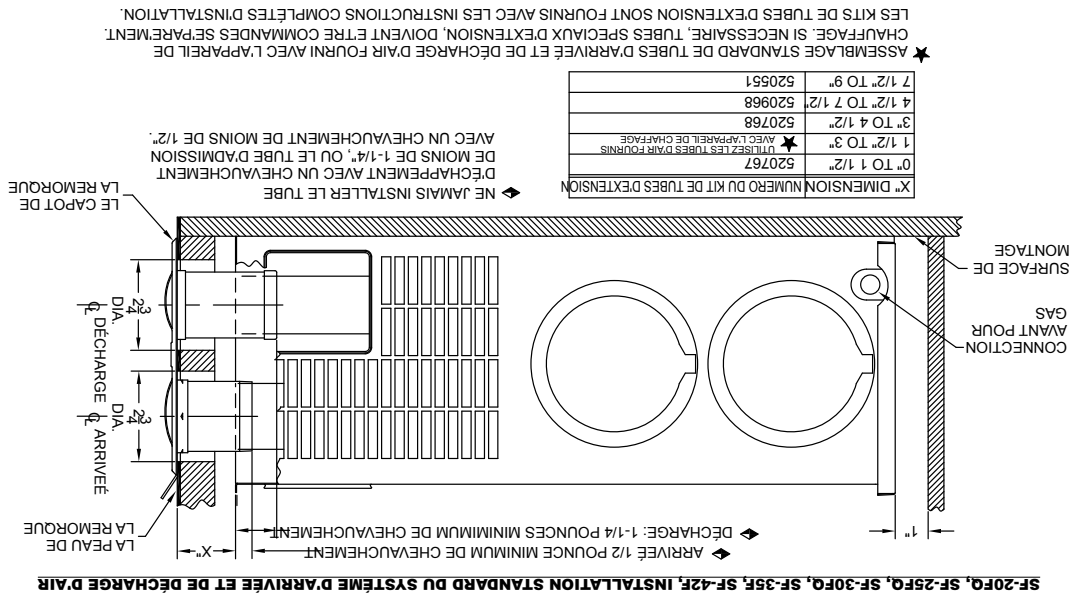
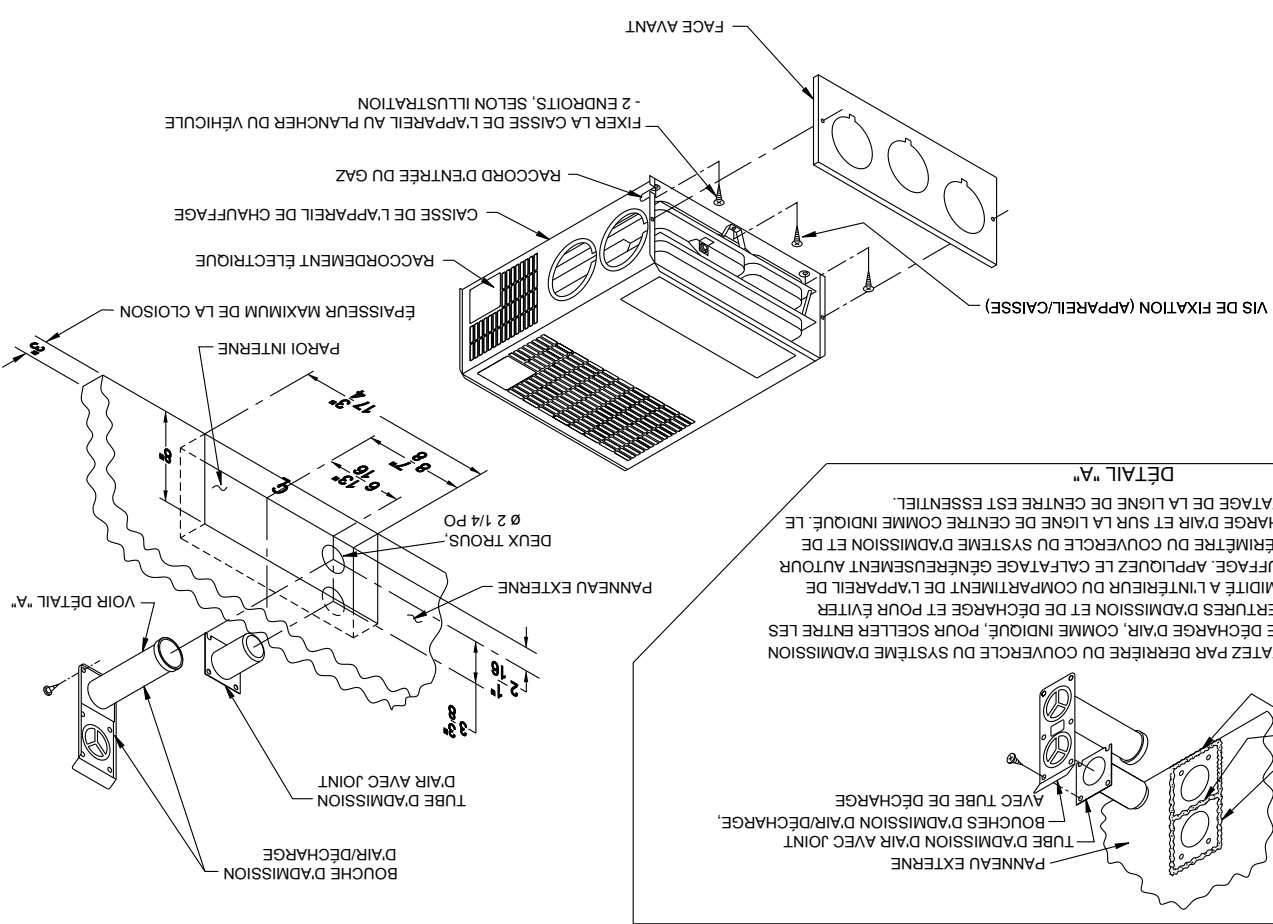


Figure 1



**PIÈCES ET SERVICE**

Contactez idéalement situé au centre de service recommandé Suburban. Décrire les la nature de votre problème, prendre rendez-vous, si nécessaire, et de fournir pour la livraison de votre RV avec l'appareil installé.

Pour obtenir des informations sur la localisation d'un organisme de service local, contactez:

**AIRXCEL, Inc., Suburban Division**  
 Customer Service Department  
 676 Broadway Street  
 Dayton, TN 37321  
 (423) 775-2131 Ext. 7101  
 www.AIRXCEL.com

**AVERTISSEMENT!** Ne pas installer un grillage sur la bouche de décharge, quelle que soit la saison. Un grillage s'encroûtera et ceci dégradera la sécurité de fonctionnement. On trouve sur le marché certains accessoires destinés aux véhicules récréatifs, dont nous déconseillons l'emploi. Pour la sécurité des utilisateurs, utiliser avec cet appareil de chauffage uniquement les composants autorisés par l'usine.

2. Inspecter périodiquement la bouche de décharge pour rechercher les obstructions ou la présence de suie. De la suie se forme chaque fois que la combustion est incomplète. C'est un indice visuel d'une déficience de la combustion. En cas de découverture de suie dans la canalisation de décharge, arrêter immédiatement l'appareil et contacter un établissement de service compétent.
  3. Veiller à la propreté de l'appareil. La présence dans l'atmosphère d'une quantité excessive de peluches provenant des tapis, matériaux de literie, etc., la propreté des organes de commande, des brûleurs et des passages de circulation de l'air.
  4. Le moteur comporte une lubrification permanente; il ne nécessite aucun graissage.
  5. Veiller à ce que le voisinage de l'appareil soit toujours exempt de matériaux combustibles, essence et autres produits inflammables, liquides ou gazeux.
  6. Avant de faire fonctionner l'appareil, inspecter la bouche de décharge pour s'assurer qu'elle n'est pas obstruée, par exemple par une porte de véhicule. Si ceci se produit, ne pas faire fonctionner l'appareil de chauffage lorsque la porte est ouverte.
  7. Ne pas entraver la circulation vers l'appareil de l'air utilisé par la combustion ou de l'air chaud. Ceci pourrait être la cause d'un accident grave ou mortel.
  8. Ne jamais faire fonctionner l'appareil si une odeur de gaz est perceptible. On ne doit pas supposer qu'une odeur de gaz dans le véhicule récréatif est normale. Chaque fois qu'une odeur de gaz est perceptible, on doit considérer ceci comme une menace et en éliminer immédiatement la cause. Eteindre toute flamme nue, y compris les cigarettes, et faire sortir tous les occupants du véhicule. Fermer le robinet de la bouteille de gaz. (Voir l'avis de sécurité en première page de ce manuel.)
  9. Arrêter immédiatement l'appareil; si le brûleur fonctionne de manière erratique ou ne s'arrête pas immédiatement, contacter un établissement de service.
- AVERTISSEMENT!** En cas de chauffage excessif, ou si l'alimentation en gaz n'est pas interrompue, fermer le robinet d'arrêt manuel avant d'interrompre l'alimentation électrique.

10. Ne jamais tenter de réparer des composants endommagés. On doit toujours les faire remplacer par un personnel de service compétent.
11. Ne jamais tenter de réparer l'appareil de chauffage. Confier ces travaux à un technicien compétent.
12. Ne jamais réduire la taille des conduits installés par le constructeur du véhicule. Ceci susciterait un fonctionnement incorrect de l'appareil.
13. Ne pas incorporer un priseur d'air dans le conduit. Un tel dispositif susciterait un fonctionnement erratique de l'appareil.
14. Ne pas placer des vêtements ou autres matériaux inflammables sur l'appareil ou à proximité.
15. Respecter toujours strictement les instructions d'utilisation. Aucune déviation n'est permise.
16. Ne pas utiliser cet appareil si un composant quelconque a été immergé dans de l'eau. Contacter immédiatement un technicien d'entretien qualifié qui devra inspecter l'appareil et remplacer tout composant du système de commande et tout organe de contrôle du débit de gaz qui aurait été immergé. Lors de la conception d'une pièce supplémentaire, d'un patio, etc., on doit penser à l'évacuation des gaz de combustion de l'appareil de chauffage. Pour des raisons de sécurité, ne pas fermer le conduit de décharge des gaz de combustion à l'intérieur d'une pièce supplémentaire, d'un patio ou d'un porche grillagé. Dans une telle situation, les produits de combustion pourraient s'accumuler dans des pièces ou espaces occupés.
18. Si du fait de la configuration ou d'une caractéristique du véhicule récréatif (comme élément coulisant, etc.) la bouche de décharge pourrait être recouverte ou obstruée, régler le thermostat à la position d'arrêt absolu, interrompre l'alimentation électrique et fermer l'arrivée de gaz. NE JAMAIS FAIRE FONCTIONNER L'APPAREIL LORSQUE LA BOUCHE DE DÉCHARGE EST OBSTRUÉE OU RECOUVERTE.

## INSTALLATION ET DÉPOSE DE L'APPAREIL

### INSTALLÉ DEPUIS L'INTÉRIEUR

- #### DÉPOSE
1. Déconnecter l'appareil de la source d'alimentation électrique.
  2. Déposer les bouches d'admission d'air/décharge.
  3. Déconnecter la source de gaz.
  4. Déposer l'avant de la caisse (2 vis).
  5. Oter les vis de fixation au centre de l'appareil, et retirer l'appareil de la caisse.
- #### INSTALLATION
1. Insérer l'appareil dans la caisse. **REMARQUE:** Veiller à acheminer correctement le câblage jusqu'à l'arrière de la caisse et à l'extérieur.
  2. Réinstaller les vis fixant la chambre à la caisse.
  3. Réinstaller le panneau avant de la caisse.
  4. Connecter la source de gaz.
  5. Inspecter les connexions de la canalisation de gaz. Rechercher les fuites avec une solution savonneuse. Éliminer toute fuite immédiatement.
  6. Réinstaller les bouches d'admission d'air/décharge.
  7. Reconnecter l'alimentation électrique.

## INSTRUCTIONS D'UTILISATION

**AVERTISSEMENT:** Ne jamais faire fonctionner l'appareil lorsque le véhicule est en mouvement ou remorqué.

- REMARQUE:** Lors de la première utilisation de l'appareil de chauffage, la combustion de l'excès de peinture et des résidus d'huile provenant du processus de fabrication peut susciter l'émission de fumées pendant 5 à 10 minutes.
1. **ATTENTION!** Lire le manuel d'information de l'utilisateur fourni avec l'appareil.
  2. Ouvrir le robinet d'arrêt de la canalisation de gaz, ou le robinet de la bouteille de propane. Ne pas forcer.
  3. Régler le thermostat pour une température supérieure à celle de la pièce pour commander le fonctionnement du ventilateur. Le ventilateur peut se mettre en marche après un certain retard. Laisser le ventilateur fonctionner pendant 5 minutes pour la purge de la chambre de combustion. Si le ventilateur ne comporte pas un arrêt avant le cycle d'allumage, éteindre l'appareil et contacter le revendeur ou un service de réparation local pour véhicule de plaisance.
  4. Après 5 minutes, régler le thermostat pour une température inférieure à celle de la pièce. Le ventilateur continue de fonctionner. Le ventilateur devrait s'arrêter après environ 2 minutes.
  5. Ouvrir le robinet d'arrêt manuel (s'il y en a un), ou le robinet de la bouteille de propane. L'appareil ne peut fonctionner parfaitement que si le robinet est complètement ouvert. Ne jamais tenter de faire fonctionner l'appareil alors que le robinet est partiellement fermé. **NOTE:** Cet appareil de chauffage fonctionne en mode "OFF", ce qui signifie que le robinet est complètement fermé. Lorsque le commutateur est à la position d'arrêt <<OFF>>, le brûleur n'est pas allumé et l'appareil ne peut fonctionner. Régler le thermostat pour la température désirée. Si cette température est supérieure à celle de la pièce, le ventilateur se met en marche. Prolonger un délai de 30 secondes pour l'allumage de la flamme du brûleur principal après la mise en marche du ventilateur. Cet appareil est équipé d'un dispositif d'allumage qui commande automatiquement l'allumage du brûleur. Ne pas essayer d'allumer manuellement la flamme du brûleur.
  8. Si le brûleur ne s'allume pas, répéter les étapes 1 à 8.
  9. Après trois (3) tentatives sans succès, exécuter les instructions d'arrêt de l'appareil, et contacter le concessionnaire, ou un établissement local de service après-vente. **NOTE:** Si l'appareil serait en contact avec l'appareil au moyen du thermostat. Si l'appareil serait bloqué le ventilateur s'arrêtera dans 5 minutes et restera dans la position "arrêt" jusqu'à ce que l'appareil est rallumée par la réactivation du thermostat.

### ARRÊT DE L'APPAREIL

1. Régler le thermostat pour la température la plus, puis déplacer l'aiguille vers la position arrêt.
2. Fermer le robinet d'arrêt manuel (s'il y en a un) de la canalisation de gaz. Ne pas forcer.

### RÉGLAGE DE L'ÉLECTRODE

Pour que le processus d'allumage de la flamme fonctionne bien, il est important que l'électrode soit correctement positionnée au-dessus du brûleur. L'électrode a été réglée à l'usine pour qu'elle produise un bon allumage; elle ne devrait nécessiter aucun autre réglage; cependant, à l'avenir que l'allumage du brûleur soit erratique, corriger la position de l'électrode comme suit:

- REMARQUE:** On doit déposer l'appareil de chauffage (voir les instructions de dépose de l'appareil).
1. Retirer le brûleur de la chambre de combustion: ôter les six (6) vis qui fixent le brûleur à la chambre de combustion et aux plaques de séparation.
  2. Positionner la lance et l'électrode par rapport aux orifices du brûleur:
    - a. Illuminer le vent du brûleur avec la lampe de poche, selon l'illustration (veiller à placer le verre de la lampe contre l'extrémité du brûleur).
    - b. La lumière sera réfléchie par la lance dans le venturi, et elle sera visible à travers une partie des orifices du brûleur (deux rangées au sommet du brûleur).
    - c. À l'aide d'un crayon feutre noir, tracer une ligne le long du sommet du brûleur parallèle à la lance, et à 3/16 po derrière la lance. Tracer une autre ligne correspondant à l'axe de la lance (voir l'illustration). Ces deux marques seront utilisées comme références de positionnement; par conséquent, il faut qu'elles soient fines.
  3. Réassembler le brûleur.
  4. Ajuster l'électrode pour que la sonde soit positionnée le long de la ligne axiale de la lance du brûleur, marquée sur le brûleur, et pour que la pointe de l'électrode se termine à 3/16 po de l'arrière de la lance (au niveau de la ligne marquée à l'étape 2-c). (Voir Figure 5.)
  5. **IMPORTANT:** Veiller à ce que l'entrefer d'éclatement des étincelles au niveau de l'électrode soit de 1/8 po, selon l'illustration.
  6. Réinstaller l'appareil dans la caisse conformément aux instructions du manuel.

2. Pour qu'il soit possible de contrôler la pression d'alimentation de l'appareil de chauffage, Suburban conseille l'installation d'une prise d'alimentation pour manomètre - 1/8 NPT - immédiatement en amont du point de raccordement de gaz à l'appareil de chauffage; cette prise de connexion doit être facilement accessible.
3. Après avoir raccordé l'appareil à la source de gaz, inspecter toutes les jointures pour rechercher des fuites.

### AVERTISSEMENT!

Ne jamais utiliser une flamme nue pour rechercher les fuites. Former l'arrivée de gaz, et appliquer de l'eau savonneuse sur toutes les jointures pour déterminer si des bulles se forment.

## RACCORDEMENT AU RÉSEAU ÉLECTRIQUE

**MISE EN GARDE:** Cet appareil de chauffage est conçu pour l'alimentation uniquement par un système 12 V CC à masse négative. Ne jamais tenter de modifier l'appareil pour l'alimentation par un système à masse positive, ni de le connecter directement sur une source 115 V CA. Des composants de l'appareil de chauffage subiraient des dommages. Raccorder uniquement à un circuit protégé à de 20 ampères maximum.

Assurez-vous que tout le câblage de la fourniture a une jauge suffisante pour tenir les chutes de tension au minimum tout en fournissant une alimentation suffisante au moment de l'appel de pointe au moment du démarrage. Il est recommandé d'utiliser un câblage de jauge 12. S'il est nécessaire de remplacer des fils du câblage d'origine de l'appareil, on doit utiliser des fils de câblage pour service à 105°C - ou équivalent.

Le raccordement à la source d'électricité doit être effectué sur le côté droit de l'appareil. Respecter le codage de couleur : rouge pour positif(+) et jaune pour négatif(-). On doit respecter cette polarité pour que le moteur de l'appareil tourne dans le sens approprié et puisse faire circuler l'air correctement. (Voir le schéma de câblage.)

Si l'appareil doit être alimenté à partir d'un convertisseur, on recommande que le système de conversion utilisé soit connecté en parallèle avec la batterie. Ceci remplira deux fonctions:

1. Fourniture d'une tension constante à l'appareil de chauffage.
2. Filtrage des surtensions ou tensions CA transitoires.

## RACCORDEMENT DES CONDUITS À L'APPAREIL DE CHAUFFAGE

Pour que l'appareil de chauffage fonctionne correctement, on doit respecter les exigences suivantes quant aux conduits:

- A. Utiliser uniquement des conduits ayant la taille minimum indiquée ci-dessous, dans la totalité du système, y compris au niveau des bouches de décharge d'air chaud.

CONDUITS LATÉRAUX		CONDUIT DU SOMMET		CONDUIT DU FOND	
Modèle	Section Libre Minimum	Section Libre Minimum	Section Libre Minimum	Section Libre Minimum	Section Libre Minimum
Section Libre Minimum	Nombre Min. De Conduits	Taille Des Conduits	Section Libre Minimum	Section Libre Minimum	Section Libre Minimum
SF-20FQ	25 po <sup>2</sup>	2	4 po	56 po <sup>2</sup>	56 po <sup>2</sup>
SF-25FQ	36 po <sup>2</sup>	3	4 po	56 po <sup>2</sup>	56 po <sup>2</sup>
SF-30FQ	36 po <sup>2</sup>	3	4 po	56 po <sup>2</sup>	56 po <sup>2</sup>
SF-35FQ	48 po <sup>2</sup>	4	4 po	56 po <sup>2</sup>	56 po <sup>2</sup>
SF-42FQ	48 po <sup>2</sup>	4	4 po	56 po <sup>2</sup>	72 po <sup>2</sup>

**\*Emploi de l'ensemble <<conduit inférieur>> (pièce N° 520753) nécessaire avec conduit inférieur SF-42C.**  
**\*\* SF-25/30Q à deux conduits 4 «rondes disponibles hors de l'armoie avant.**  
**\*\*\* SF-35/42Q à trois conduits 4 «rondes disponibles hors de l'armoie avant.**  
**pas à être utilisé sur SF-20/25/30Q**

**REMARQUE:** Lors du calcul de la section libre disponible, on ne doit pas tenir compte des conduits qui se terminent dans un espace fermé (comme le compartiment des réservoirs de rétention ou zone de fret (boîte à joints) sans moyen de recyclage de l'air. De même, on ne doit pas tenir compte dans le calcul des conduits de diamètre de 2 po ou moins.

- B. Aucun registre de sortie ne doit être placé à moins de 18 po de l'ouverture de retour d'air. Tout registre installé à 18 po ne doit jamais être réglé de façon à souffler l'air évacué vers l'ouverture de retour d'air. En cas d'installation d'un registre sur une paroi à 90° par rapport au retour d'air, la distance peut être inférieure à 18 po.
- C. Veiller à l'étauchéité entre les conduits et la caisse de l'appareil. Des connexions mal ajustées susciteront un échauffement excessif des composants de l'appareil de chauffage et une réduction du débit d'air chauffé à travers les conduits.
- D. Éviter d'incorporer des changements de direction très accentués dans le système de conduits. De tels changements de direction augmentent la pression statique dans le plénum et peuvent susciter un fonctionnement intermittent de l'appareil.
- E. Minimiser le nombre de changements de direction. La performance du système est d'autant meilleure que le conduit est plus rectiligne.
- F. Lorsque le conduit traverse une paroi de matériaux combustibles, comme la paroi d'un placard du véhicule, maintenir un espacement d'au moins 1/4 po (voir Figure 3). **REMARQUE:** L'espacement peut être nul dans le cas de conduits à homogénéité LL.
- G. Ne pas incorporer un pulseur d'air dans le conduit. Un tel dispositif susciterait un fonctionnement erratique de l'appareil.

**REMARQUE:** Lorsque l'installation de l'appareil de chauffage et des conduits est terminée, effectuer les ajustements nécessaires pour que l'aumentation de température produite satisfasse la tolérance indiquée sur la plaque signalétique.

**AVERTISSEMENT!** Si l'utilisateur de cet appareil néglige de le maintenir dans les conditions dans lesquelles il a été expédié de l'usine ou si l'appareil est utilisé intentionnellement dans un but autre que celui pour lequel il a été conçu, ou si l'appareil n'est pas maintenu en état selon les instructions contenues dans ce manuel; Conséquence: le risque d'incendie et/ou de production d'oxyde de carbone se fera, ce qui peut causer des blessures personnelles, dommages de propriété ou la perte de vie.

## ENTRETIEN PRÉVENTIF

Localisez le thermostat d'ambiance environ 4-1 / 2 pieds au-dessus du sol sur une cloison à l'intérieur ou il ne est pas affecté par la chaleur d'une source ne l'air ambiant. Connecter le câblage du thermostat au fil bleu et le fil rayé bleu-blanc (fil rayé bleu-blanc est le pouvoir au thermostat) sur le côté droit du four. (Voir le schéma de câblage.) Si votre four est équipé d'un thermostat qui a un antipicateur réglable, l'antipicateur devrait être fixé à 0,7 ampères. Si vous désirez plus des cycles de chauffage, réglez l'antipicateur à un réglage plus élevé. Si vous désirez des cycles de chauffage plus courts, réglez l'antipicateur sur une valeur inférieure. Ajustements au réglage de l'antipicateur doivent être effectués en incréments de 0,5 ampères.

## INSTALLATION DU THERMOSTAT

Le thermostat utilisé avec cet appareil ne doit avoir AUCUNE tension de sortie dans la tige de retour lorsqu'il n'y a aucun appel de chaleur ou que la commande est réglée à « OFF » (arrêt).

Vérifier toujours le fonctionnement correct de l'appareil après des opérations d'entretien.

1. Inspecter l'appareil de chauffage et l'installation des bouches d'admission d'air/décharge. Vérifier que l'appareil est bien immobilisé en place (voir les instructions d'installation), que les bouches d'admission d'air/décharge communiquent avec l'atmosphère et qu'il y a un chevauchement approprié au niveau des connexions des tubes (voir l'installation des bouches d'admission d'air/décharge).
2. Inspecter la chambre de combustion et le dispositif d'admission d'air/décharge pour vérifier que ces composants sont en bon état, sans perforation ou corrosion excessive, et que l'installation ou réinstallation a été exécutée en conformité avec les instructions d'installation de Suburban. (Consulter le manuel d'installation fourni avec cet appareil de chauffage.)

**AVERTISSEMENT!** Il est impératif que les produits de combustion soient convenablement rejetés dans l'atmosphère et que tout l'air utilisé pour la combustion soit bûle provenir de l'atmosphère extérieure.

3. Examiner la base sur laquelle l'appareil est installé. Vérifier qu'elle est en bon état physique, sans affaïssissement, détérioration, etc.
4. Inspecter l'appareil, les bouches d'admission d'air/décharge, les conduits d'air chaud et la canalisation de gaz; rechercher les signes évidents de détérioration. Réparer immédiatement toute anomalie.
5. Inspecter la chambre de combustion; rechercher les obstructions de l'arrivée d'air ou de la décharge. Il est important qu'il n'y ait aucune obstruction entravant l'arrivée d'air frais ou l'expulsion des gaz de combustion vers l'atmosphère extérieure. Éliminer avec de l'air comprimé toute accumulation de suie ou débris (voir Figure 7).
6. Inspecter tous les joints; remplacer tout joint comportant des indices de fuite ou détérioration. La qualité de l'étauchéité des jointures est un facteur essentiel de la sécurité du fonctionnement.
7. Inspecter les ouvertures de retour de l'air à l'appareil de chauffage. Éliminer toute obstruction entravant la circulation de l'air.

L'utilisateur de l'appareil de chauffage devrait l'inspecter chaque mois pendant la saison de chauffage pour rechercher la présence de suie dans la canalisation de décharge. Le fonctionnement de l'appareil en présence d'une obstruction dans la canalisation de décharge pourrait être la cause de sérieux dommages matériels ou corporels, voir d'un accident mortel. En cas de découverte de suie dans la canalisation de décharge, arrêter immédiatement l'appareil et contacter un établissement de service compétent.

On présente ci-dessous plusieurs règles de sécurité à observer au cours de la saison de chauffage pour maintenir la sécurité du fonctionnement de l'appareil.

1. Inspecter le système de décharge des gaz de combustion. Il faut qu'il n'y ait aucune obstruction ou accumulation de suie et que le conduit se termine correctement dans l'atmosphère. (Voir l'installation des bouches d'admission d'air/décharge).

**Aux U.S.A.**, on doit installer l'appareil en conformité avec les prescriptions des codes et règlements locaux; en l'absence de tels codes ou règlements, consulter l'édition la plus récente de:

1. Normes NFPA 1192 - Véhicules récréatifs
2. Code ANSI Z223.1/NFPA 54 - National Fuel Gas Code
3. L'appareil doit être relié électriquement à la masse conformément aux prescriptions de l'édition la plus récente du Code national des installations électriques, NFPA 70.

**Au Canada**, l'appareil de chauffage doit être installé en conformité avec les prescriptions des modèles récréatifs.

1. Normes CSA Z240.0-2-08 - Véhicules récréatifs
2. Normes Z240.6-2-08 C22.2 No.148-08 - Installation électrique des véhicules récréatifs
3. Norme Z240.4-2-08 - Installation des équipements et appareils à propane dans les véhicules récréatifs

Cet appareil est muni d'un dispositif d'allumage électrique suscitant une demande de courant de 0,1 A, sous 12 V CC.

## AIR DE RETOUR

Il y a deux méthodes d'installation de l'appareil de chauffage décrites ci-dessous. Quelle que soit la méthode choisie, nous demandons qu'une ouverture permanente devant l'appareil soit fournie. Cette ouverture doit permettre le libre accès à l'appareil, sans aucune obstruction. Cette ouverture peut être utilisée comme moyen de fournir la circulation d'air de retour à l'appareil de chauffage. D'autres ouvertures peuvent être également utilisées.

Le fonctionnement normal de l'appareil de chauffage nécessite un retour d'air adéquat. Toute insuffisance de l'alimentation en air suscitera un fonctionnement erratique de l'appareil. Pour déterminer le volume d'air minimum nécessaire, consulter le tableau ci-dessous.

**REMARQUE** : L'air de retour doit provenir de l'intérieur de l'espace de séjour du véhicule. **NOTE** : Pour un VR comportant une cloison de séparation d'un espace de fret (boite à joints) pour le transport de véhicules à moteur à combustion interne, il ne doit pas y avoir d'ouverture de retour d'air depuis cette zone.

Modèle	Taille minimum de l'ouverture libre d'arrivée d'air	Alimentation en air
SF-20/25/30/35FC	55 po"	Reduced possible 88po" minimum si on utilise 5 conduits.
SF-42FC	142 po"	

TABLE 1

## INSTALLATION DE L'APPAREIL DE CHAUFFAGE

**NOTE**: Avant d'installer l'appareil de chauffage, la dimension "X" doit être déterminée, comme indiqué dans la Figure 2.

1. Installer l'appareil de chauffage au voisinage du centre de la plus grande dimension du véhicule.
2. Choisir un emplacement d'installation où il n'y aura pas de fils, tuyaux, etc. susceptibles d'interférer avec l'installation. Respecter les valeurs minimales des dégagements de sécurité/séparation des matières combustibles.

**NOTE**: Pour installation à travers la paroi du véhicule, paroi de 3 pouces d'épaisseur maximum, les espaces à côté et au dessus de l'appareil peuvent être de 0 pouce. (Voir Figure 1.)

3. Lorsque l'appareil est installé directement sur du tapis, un carrelage ou d'autres matériaux combustibles autres qu'un plancher de bois, installer l'appareil sur un panneau métallique ou de bois dont la longueur et la largeur sont égales ou supérieures aux dimensions de l'appareil. Si on le préfère, on peut découper le tapis, le carrelage ou les matériaux combustibles autres que le bois sur la totalité de la longueur et de la largeur de l'appareil, plus les valeurs minimales de dégagement de sécurité/séparation des matières combustibles. (Voir Table 2.)
4. Déterminez la dimension "X" comme indiqué dans la Figure 2. Les tubes fournis avec l'appareil conviendront pour une distance de "X", mesurant 1/2 à 3 pouces. Si la distance "X" mesure moins que 1/2 pouce ou plus que 3 pouces, les tubes spéciaux, comme indiqué dans le tableau de la Figure 2, doivent être commandés.

**ATTENTION!** Ne pas altérer, couper ou modifier en aucune manière les tubes fournis par Suburban. Le faire pourrait résulter en une arrivée d'air de combustion inadéquate ou en une mauvaise décharge d'air de l'appareil.

## A. SI VOUS INSTALLEZ L'APPAREIL DIRECTEMENT CONTRE LE PANNEAU EXTERIEUR OU QUE LA DIMENSION "X" EST DE 0 - 1/2 POUCE

1. Le kit de tubes 520767 doit être commandé. Ne pas couper ou altérer les tubes fournis avec l'appareil.
2. Découpez une ouverture à travers la paroi intérieure de 17 - 3/4 X 8 pouces. Ce qui permettra de placer l'arrière de l'appareil contre la paroi externe du véhicule. (Voir Figure 1.)
3. Découpez deux trous de 2-1/4 pouces de diamètre dans le panneau externe de l'appareil en place, en vous assurant que l'arrière de l'appareil soit aussi près que possible de la paroi externe du véhicule, tout en permettant un chevauchement convenable des tubes de décharge et d'arrivée d'air. (Voir installation des bouches de décharge et d'arrivée d'air.)

4. Mettez l'appareil en place, en vous assurant que l'arrière de l'appareil soit de l'appareil, comme indiqué dans la Figure 1.

5. En utilisant les deux vis en acier #10 X 3/4 fournis, fixez l'appareil au sol du véhicule en utilisant les trous prévus au devant de la caisse de l'appareil de chauffage. (Voir Figure 1.)

6. Installez les bouches de décharge et d'arrivée d'air. (Voir les instructions d'installation.)

**B. SI VOUS N'INSTALLEZ PAS L'APPAREIL CONTRE LE PANNEAU EXTERNE DU VEHICULE ET LA DIMENSION "X" EST PLUS GRANDE QUE 1-1/2 POUCE.**

1. Déterminez la dimension "X" comme illustré dans la Figure 2. La longueur des tubes pour la dimension "X" est fournie dans le tableau ci-dessous. Si nécessaire, commandez des tubes spéciaux.
2. Localisez le milieu des tubes d'arrivée et de décharge comme indiqué dans la Figure 2. Découpez deux trous de 2-3/4 pouces de diamètre dans la paroi du véhicule pour les tubes d'arrivée et de décharge. (Voir Figure 2.)
3. Fixez l'appareil de chauffage dans la caisse.
4. Fixer l'appareil de chauffage au plancher en utilisant les deux (2) trous prévus à cet effet dans le bâti de l'appareil. (Voir Figure 1)
5. Installez les tubes d'arrivée et de décharge d'air.
6. Réinstallez l'avant de la caisse.

Modèle	Tubes de décharge et d'admission	REMARQUE D'ESPACEMENT					MATÉRIAUX COMBUSTIBLES: 1/4 PO (Voir Figure 3)				
		0 PO = AUCUN BOSSAGE D'ESPACEMENT	1 PO	2 PO	2 PO	1 PO	0 PO	0 PO	0 PO	0 PO	3/8 PO
SF-20FC	3/8 po	0 po	0 po	0 po	0 po	0 po	0 po	0 po	0 po	0 po	3/8 po
SF-25FC	3/8 po	1 po	0 po	0 po	0 po	0 po	0 po	0 po	0 po	0 po	3/8 po
SF-30FC	3/8 po	1 po	0 po	0 po	0 po	0 po	0 po	0 po	0 po	0 po	3/8 po
SF-35FC	3/8 po	1 po	0 po	0 po	0 po	0 po	0 po	0 po	0 po	0 po	3/8 po
SF-42FC	3/8 po	1 po	2 po	2 po	1 po	0 po	0 po	0 po	0 po	0 po	3/8 po

TABLE 2

## INSTALLATION DU CONDUIT D'ÉVACUATION

Le circuit d'évacuation doit être installé de telle manière que la bouche de décharge se trouve dans la même zone de pression atmosphérique que la prise d'air de combustion. Les tubes de décharge et d'admission d'air doivent être installés depuis l'extérieur, et traverser la paroi du VR, pour atteindre les bouches d'admission d'air et d'évacuation.

**AVERTISSEMENT!** Ne pas modifier le système d'évacuation fourni avec cet appareil de chauffage. Toute modification provoquera une déficience de l'installation pouvant susciter un fonctionnement dangereux de l'appareil.

**MISE EN GARDE**: On ne doit pas prélever l'air de combustion dans l'espace de séjour. Tout l'air de combustion doit provenir de l'atmosphère extérieure. Tout gaz de combustion doit être rejeté dans l'atmosphère extérieure - et jamais à l'intérieur du VR. Par conséquent il est essentiel d'installer convenablement les conduits d'admission d'air et d'évacuation.

1. Appliquer un composé de caïfeutrage sur la paroi du VR derrière la bouche de décharge (voir la figure 1). Appliquer le produit de caïfeutrage sans parcimonie sur le périmètre de la bouche de décharge, et en travers de la zone centrale (voir l'illustration).
2. Insérer le tube d'admission d'air à travers la paroi du VR; insérer celui-ci dans la prise d'air de l'appareil de chauffage (voir la figure 2). Il doit y avoir un chevauchement d'au moins 1/2 po du tube dans le raccord.
3. Insérer le tube de la bouche de décharge à travers la paroi du VR, pour l'insérer dans l'orifice de décharge de l'appareil de chauffage (voir la figure 2). Un chevauchement d'au moins 1/4 po est nécessaire.
4. Fixer la bouche de décharge sur la paroi du VR avec les six (6) vis fournies. Veiller à ne pas installer la bouche de décharge à l'envers; les mot «Suburban» doivent être partiellement lisibles (à l'endroit).

## RACCORDEMENT À LA SOURCE DE GAZ

Raccorder la source de gaz à l'appareil de chauffage au niveau de la tubulure d'alimentation, conformément aux suggestions ci-dessous. Il sera nécessaire de maintenir le raccord évaseé sur la tubulure d'alimentation de l'appareil lors des opérations de connexion ou des connexions.

**REMARQUE**: Le composé d'étanchéité utilisé sur le filetage des jointures doit être de la pression de test supérieure à 1/2 lb/po<sup>2</sup>rel., on doit déconnecter l'appareil de la source de gaz.

1. Lors de tout test de pressurisation de la canalisation de gaz à une pression de test égale ou inférieure à 1/2 lb/po<sup>2</sup>rel., on doit isoler l'appareil de la source de gaz.

Connectez la source de gaz au coude de 3/8 de pouce. l'avant de l'appareil de chauffage. (Voir Figure 1.) Certains codes peuvent nécessiter l'installation d'un robinet d'arrêt manuel dans la canalisation de gaz à l'extérieur de l'appareil de chauffage.



# APPAREILS DE CHAUFFAGE À GAZ SUBURBAN

## INSTRUCTIONS D'INSTALLATION POUR SF-20FQ • SF-25FQ • SF-30FQ • SF-35FQ • SF-42FQ



La conception de cet appareil de chauffage a été homologuée pour l'installation dans les véhicules récréatifs seulement. Pour que l'appareil fonctionne en conformité avec les critères de sécurité généralement acceptés, on doit se conformer aux instructions d'installation. Toute non-conformité par rapport aux instructions d'installation rend la garantie de l'appareil invalide et annule toute responsabilité de la part de AIRXCCEL, INC. - SUBURBAN DIVISION.

L'appareil a été inspecté avant son départ de l'usine. Advenant qu'un composant quelconque soit endommagé, ne pas installer l'appareil. Immédiatement le transporteur pour soumettre une demande.

**AVERTISSEMENT!** L'installation de cet appareil doit être exécutée en accord avec les instructions écrites fournies dans le manuel. Aucun agent-représentant ou employé de Suburban ou autre personne, n'a l'autorité pour changer, modifier ou déroger le contenu des instructions fournies dans ce manuel.

**CES APPAREILS DE CHAUFFAGE SONT CONÇUS ET INSTALLÉS DE FAÇON QU'ILS PUISSENT ÊTRE ENLEVÉS SEULEMENT À PARTIR DE L'INTÉRIEUR DU VÉHICULE RÉCRÉATIF.**  
SI L'APPAREIL DOIT ÊTRE INSTALLÉ À LA VERTICALE, VOUS DEVEZ UTILISER LE KIT # 520965 (INSTRUCTIONS D'INSTALLATION SONT INCLUS DANS LE KIT).

**MISE EN GARDE:** Si c'est possible, ne pas installer l'appareil de chauffage dans une configuration telle que la bouche de décharge pourrait être recouverte ou obstruée lors de l'ouverture de la porte du véhicule. Si ceci n'est possible, on doit limiter le mouvement de la porte afin qu'il y ait un espacement libre de sécurité d'au moins 6 po entre la bouche de décharge de l'appareil de chauffage et toute porte lorsque la porte est ouverte.  
**NOTE:** La température de l'échappement de cet appareil de chauffage peut décolorer ou déformer certains matériaux. Vérifiez toujours que le matériau utilisé pour la porte du véhicule, panneau ou le couvercle ne décolorera ou ne déformera pas à cause de la température de l'échappement de l'appareil de chauffage quand une porte, un panneau, ou un couvercle est dans la position ouverte.  
**MISE EN GARDE:** Du fait des différences entre les divers parements de vinyle, ne pas installer cet appareil sur un parement de vinyle avant d'abord consulter le fabricant du parement, ou découper le parement au voisinage de la bouche de décharge de l'appareil.

**MISE EN GARDE:** Si du fait de la configuration ou d'une caractéristique du véhicule récréatif (comme élément coulisant, etc.) la bouche de décharge pourrait être recouverte ou obstruée, régler le thermostat à la position d'arrêt absolu, interrompre l'alimentation électrique et fermer l'arrivée de gaz. NE JAMAIS FAIRE FONCTIONNER L'APPAREIL LORSQUE LA BOUCHE DE DÉCHARGE EST OBSTRUÉE OU RECOUVERTE.  
**REMARQUE:** On doit installer ces appareils de chauffage et les relier à l'atmosphère de la manière décrite dans ce manuel, afin que la dépression suscitée par le ventilateur de circulation de l'air (air de retour) ne puisse affecter l'admission d'air ou l'évacuation des gaz de combustion de tout autre appareil. Il est impératif que les produits de combustion soient rejetés dans l'atmosphère d'une manière appropriée et que tout air acheté pour la combustion soit prélevé dans l'atmosphère extérieure. (Voir l'installation du système d'admission d'air et évacuation des gaz de combustion.)  
**REMARQUE:** Lors de l'installation de l'appareil de chauffage, on doit veiller à protéger les composants électriques contre l'eau.

**IMPORTANT:** Si cet appareil de chauffage doit être raccordé à un circuit de conduits qui dessert également un appareil de climatisation, on doit installer un volet à manœuvre manuelle ou automatique destiné à empêcher l'air refroidi de se diriger vers l'appareil de chauffage. Le passage d'air refroidi dans la chambre de combustion de l'appareil de chauffage alors que le climatiseur fonctionne susciterait une condensation d'eau dans la chambre de combustion; cette condensation peut favoriser la corrosion et conduire à une défaillance prématurée de la chambre de combustion de l'appareil de chauffage.  
**REMARQUE:** Lors de l'installation de l'appareil de chauffage, on doit veiller à protéger les composants électriques contre l'eau.  
La conception de ces appareils de chauffage est homologuée pour l'alimentation au gaz propane seulement. Ne pas tenter de convertir l'appareil pour l'alimentation au gaz naturel.  
Pression d'admission du gaz, aux fins du réglage de l'alimentation:  
Minimum - 11 po H<sub>2</sub>O\*  
Maximum - 13 po H<sub>2</sub>O\*  
(H<sub>2</sub>O\* = Colonne d'eau)

### POUR VOTRE SÉCURITÉ

- Que faire si une odeur de gaz est perceptible:
- Éteindre toute flamme nue.
- Faire sortir toute personne du véhicule.
- Interrompre l'alimentation en gaz, à la source ou au niveau de la bouteille de gaz.
- Ne toucher aucun commutateur électrique et ne pas utiliser la radio ou un téléphone dans le véhicule.
- Ne pas mettre en marche le moteur du véhicule ou un générateur électrique.
- Pour les réparations, contacter le fournisseur de gaz le plus proche ou un établissement de réparation qualifié.
- Si l'n'est pas possible de contacter un fournisseur de gaz ou un établissement de réparation compétent, contacter le service de pompiers le plus proche.
- Ne pas rétablir l'alimentation en gaz avant d'avoir éliminé les fuites.

Ce manuel contient des instructions couvrant le fonctionnement et l'entretien de votre appareil de chauffage.  
**INSTALLATEUR: LAISSEZ CETTE NOTICE AVEC L'APPAREIL.**  
**CONSOMMATEUR: CONSERVEZ CETTE NOTICE POUR CONSULTATION ULTÉRIEURE.**  
Pour toute demande d'information, contacter le concessionnaire ou le plus proche centre de service Suburban.

### POUR VOTRE SÉCURITÉ

**NE PAS REMISER OU UTILISER DE L'ESSENCE OU D'AUTRES PRODUITS LIQUIDES OU GAZEUX INFLAMMABLES À PROXIMITÉ DE CET APPAREIL OU D'UN AUTRE APPAREIL.**  
**AVERTISSEMENT:** Toute déficience dans les opérations d'installation, réglage, modification, réparation ou entretien peut être la cause de dommages matériels ou corporels, voire d'un accident mortel. Consultez les instructions d'installation et/ou le manuel d'utilisation fournis avec cet appareil. Les opérations d'installation et de réparations doivent être exécutées par un installateur compétent ou le personnel d'un établissement de service ou du fournisseur de gaz.

**AVERTISSEMENT:** Veillez à ce que cet appareil de chauffage et tout système d'allumage soient arrêtés lors du remplissage d'un réservoir de carburant ou combustible, de même que lorsque le véhicule est en mouvement ou remorqué.