



Sump, Effluent and Wastewater Product Line

Contents

- Submersible Sump Pumps** 3-4
SC, SCS, SS, BBSP/2, 1CVP, MIGHTY LITE

- Submersible Effluent Pumps** 5-6
1EC, 1ES, 1EP, 2EC

- Submersible Sewage Pumps** 7-10
2WC, 2VW, 1WS/2WS, 2WT/2WF, 2WF_H, 2WP, 3WDA/4WDA

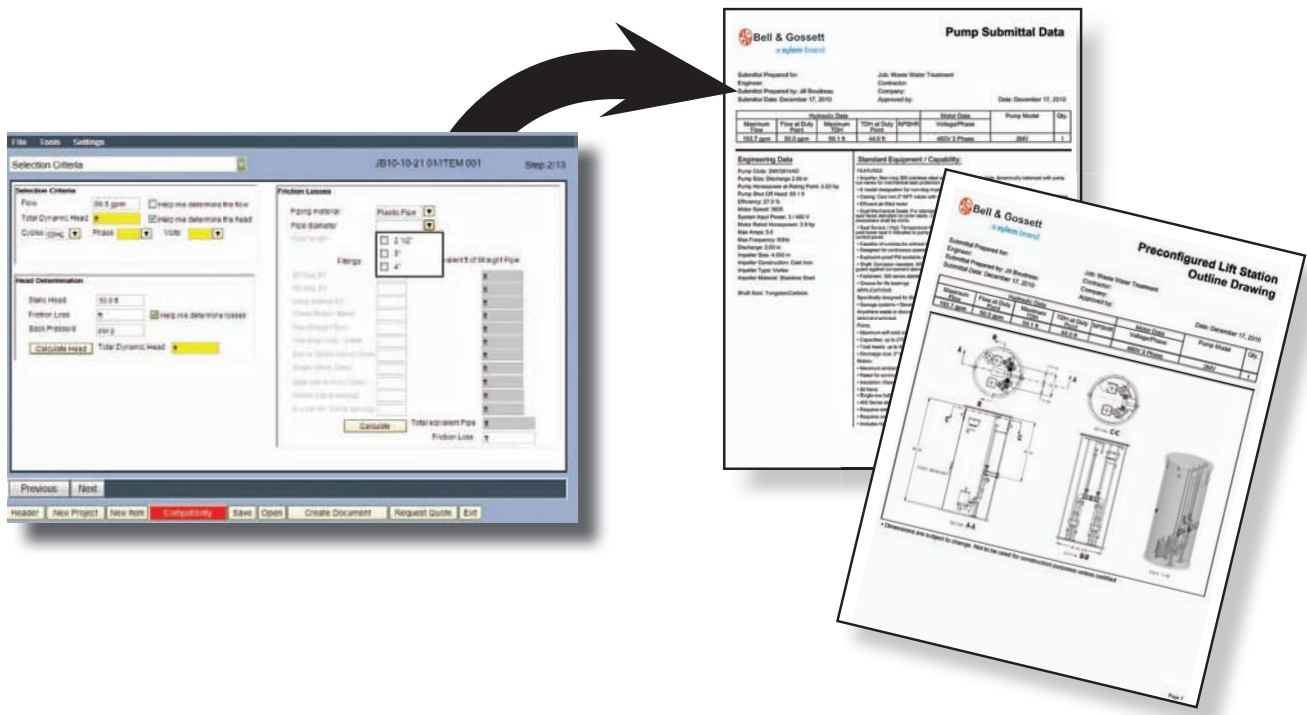
- Submersible Grinder Pump** 11
12GS

- Submersible Dewatering Pumps**12-13
1DS, 2DS, 1SF/1SH

- Systems** 14
MSDS, MWP

Bell & Gossett Wastewater Selection Program

- Web-based selection program
- Up-to-date information on:
 - Pump sizing
 - Package systems
 - Panel selections
- Includes rules to insure error-free selection
- Full submittal documentation
- One-stop selection for all your wastewater station needs



Available online at ecom.bellgossett.com.

For superior Customer Service, please contact the new 800 Hotline for technical assistance 866-673-0427. Applications Engineers will be awaiting your calls.

Submersible Sump Pumps

Applications

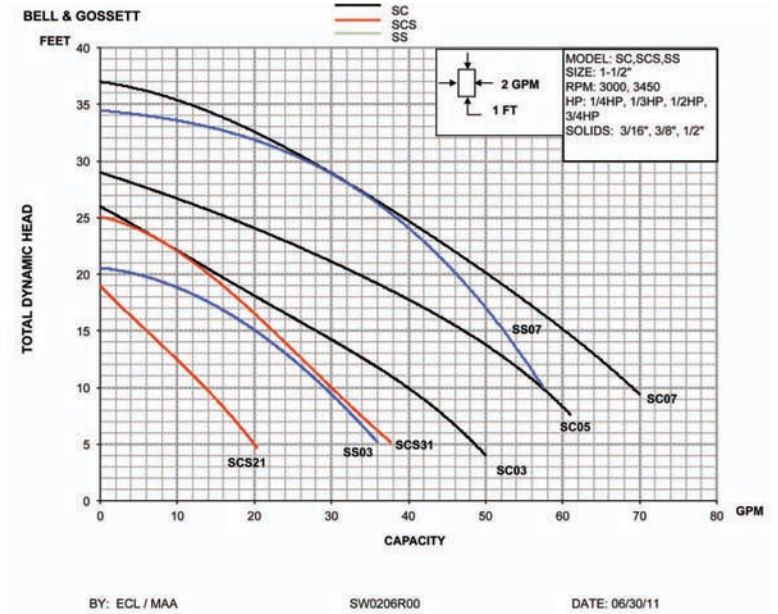
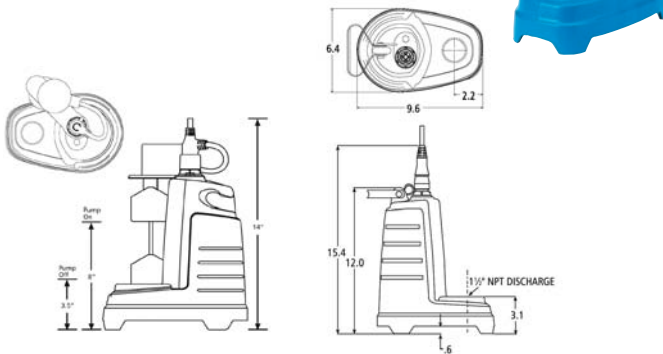
Specifically designed for the following uses:

- Basement draining • Water transfer • Dewatering

SC

Specifications

- Also an effluent pump
- Maximum solids 1/2"



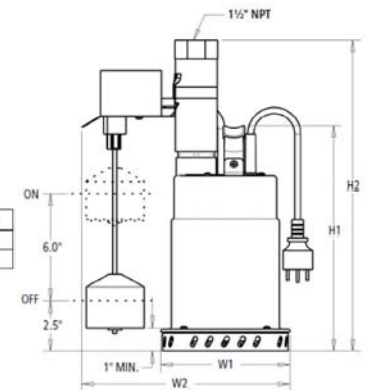
SCS

Specifications

- Maximum solids: 3/16" spherical



Part No.	W1 (in.)	W2 (in.)	H1 (in.)	H3 (in.)
SCS21V	5.9	9.6	10.1	14.7
SCS31V			10.4	15.1



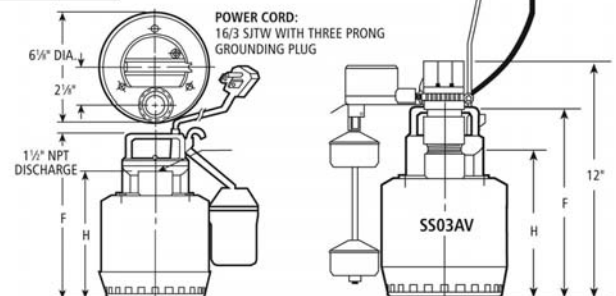
SS

Specifications

- Maximum solids: 3/8" spherical



	F	H
SS03	9 1/4	7 3/4
SS07	11 1/4	9 3/4
SS03AV	9 3/4	7 3/4



Submersible Sump Pumps	NPT Discharge	Solids Handling	Capacities	Maximum Head	Housing Material Construction
SC	1 1/2"	1/2"	70 GPM	37 feet TDH	Cast Iron
SCS	1 1/2"	3/8"	38 GPM	25 feet TDH	Stainless Steel
SS	1 1/2"	3/8"	55 GPM	34 feet TDH	Stainless Steel

Submersible Sump Pumps

BBSP/2

BATTERY BACK-UP SUMP PUMP

Applications

Designed to provide emergency backup service for primary pump in the event of a power outage. Will also operate if main pump can't keep up with inflow.

Specifications

- 12 volt pump • Float switch
- 10 amp battery charger • Check valve
- Pipe fittings • Battery box
- Two sizes now available
- System requires minimum 105 amp deep cycle marine battery (not included).



1CVP

VERTICAL SUMP PUMPS

1 1/4" NPT Discharge

Applications

Specifically designed for the following uses:

- Basement draining
- Water transfer
- Dewatering

Specifications

- Discharge: 1 1/4" NPT, will accept adapter for 1 1/2" discharge pipe.
- Power cord: heavy duty 8 foot, 3-wire cord
- Temperature: 160° F (71° C) maximum
- Sump diameter: 12 inches or larger



MIGHTY LITE®

GASOLINE ENGINE-DRIVEN SELF-PRIMING CENTRIFUGAL PUMPS

Features

- Portable, Lightweight, Compact Design
- Die Cast Aluminum Casing and Engine Housing
- Rugged Cast Iron Impeller and Volute
- Reliable Honda GX Engine
- Trouble Free Mechanical Seal, Carbon/Silicon/Buna-N
- Replaceable Discharge and Suction Connection
- BSPT and NPT Aluminum Connections
- Multi-Position Discharge Connection
- Heavy-Duty, Cage Mounted • Standard Strainer Basket Included
- Water and Trash Models Available

Options

- Skid Mounts • Wheel Kit • Hard Faced Mechanical Seals



Submersible Effluent Pumps

1EC

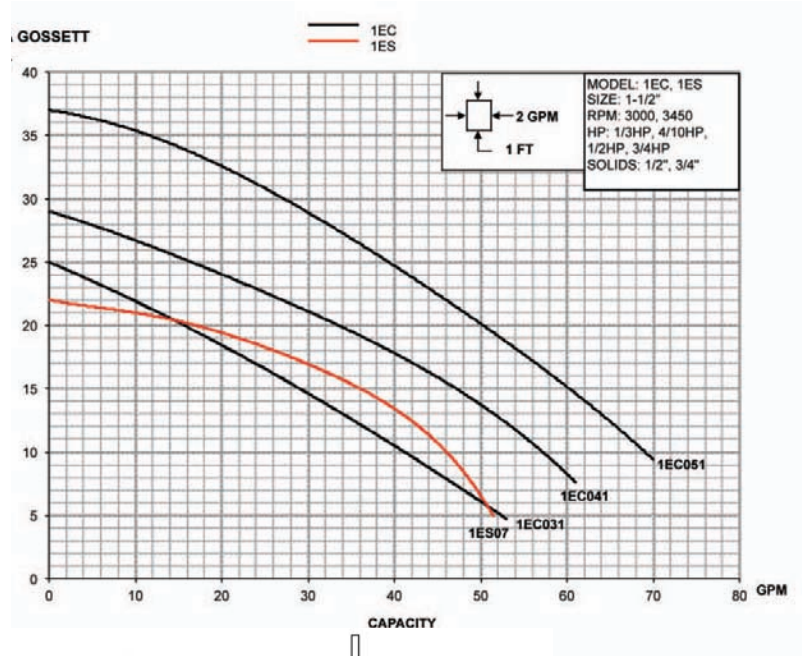
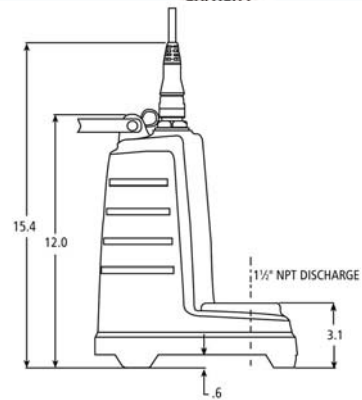
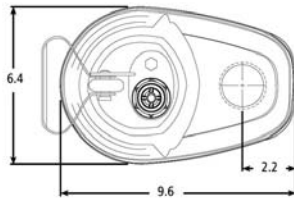
Applications

Specifically designed for the following uses:

- Mound Systems
- Effluent/Dosing Systems
- Low Pressure Pipe Systems
- Basement Draining
- Heavy Duty Sump/Dewatering

Specifications

- Automatic models include a float switch
- Manual models available

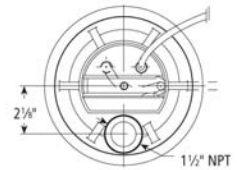
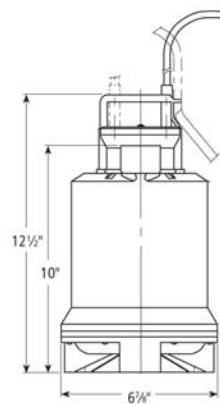


1ES

Applications

Specifically designed for the following uses:

- Effluent systems
- Water transfer
- Dewatering
- Heavy duty sump



Submersible Effluent Pumps	NPT Discharge	Solids Handling	Capacities	Maximum Head	Housing Material Construction
1EC	1 1/2"	1/2"	70 GPM	37 feet TDH	Cast Iron
1ES	1 1/2"	3/4"	52 GPM	22 feet TDH	Stainless Steel

Submersible Effluent Pumps

1EP

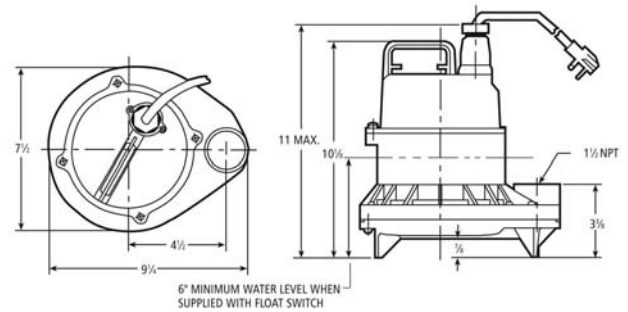
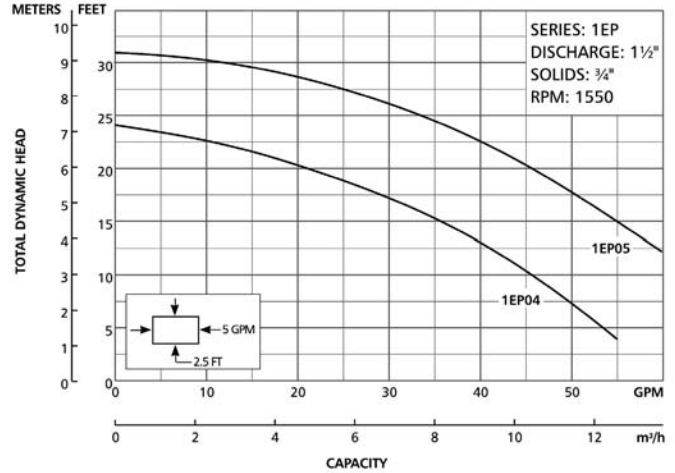
Applications

Specifically designed for the following uses:

- Effluent systems • Homes • Farms • Heavy duty sump
- Water transfer • Dewatering

Specifications

- Mechanical seal: carbon-rotary/ceramic stationary, BUNA-N elastomers
- Fasteners: 300 series stainless steel
- Capable of running dry without damage to components



2EC

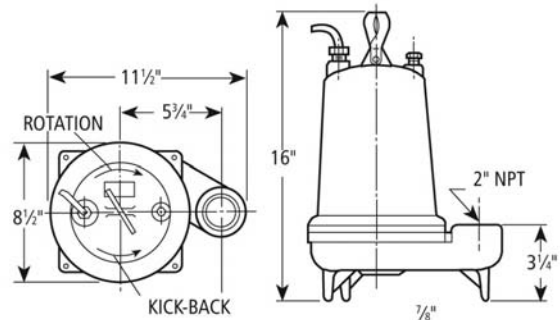
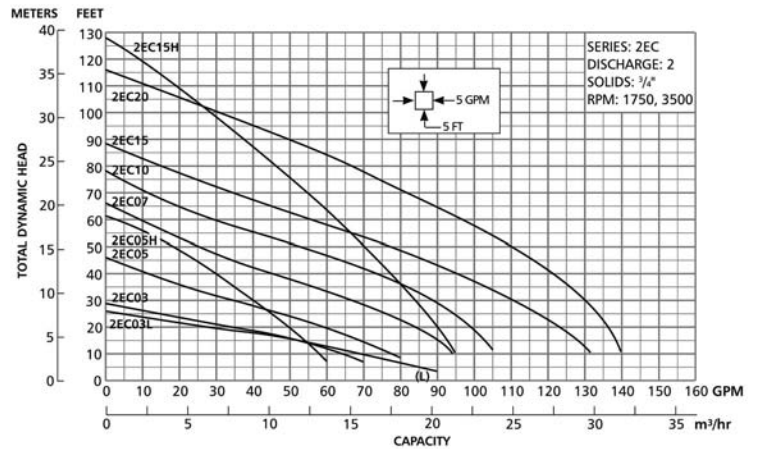
Applications

Specifically designed for the following uses:

- Homes • Schools • Farms • Hospitals
- Trailer courts • Industry • Motels
- Effluent systems

Specifications

- See Model Information for specific HP, voltage, phase and RPM's available



Submersible Effluent Pumps	NPT Discharge	Solids Handling	Capacities	Maximum Head	Housing Material Construction
1EP	1 1/2"	3/4"	60 GPM	31 feet TDH	Plastic
2EC	2"	3/4"	140 GPM	128 feet TDH	Cast Iron

Submersible Sewage (Vortex) Pumps

1WS/2WS 1WV/2WV

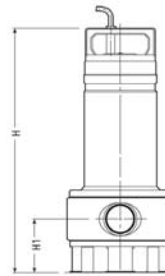
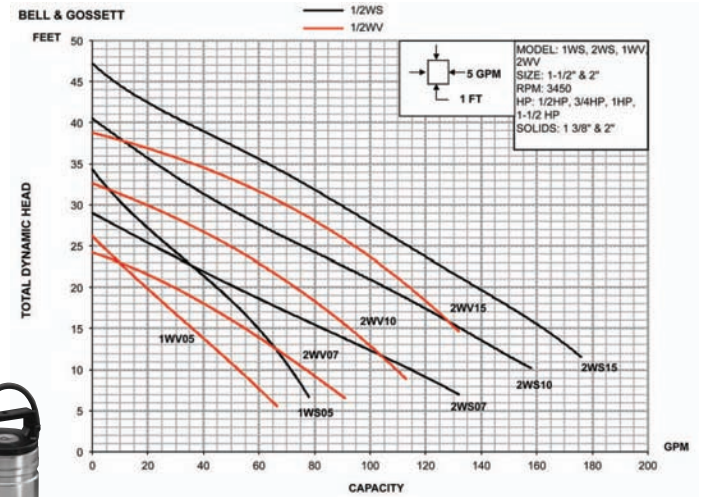
Applications

Non-clog submersible sewage pumps for simplex and duplex installations in small lift stations, drainage systems or raw water applications requiring solids handling capability of 1 3/8" and 2" diameter made specifically for:

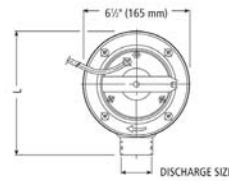
- Homes and farms • Municipal package systems
- Schools and hospitals • Dewatering applications
- Mobile home parks and motels • Industrial treatment systems

Specifications

- 1 1/2" discharge on 1/2 HP
- 2" discharge on 3/4 HP and larger
- Solid size: 1 3/8" solids on 1/2 HP; 2" solids on 3/4 HP and larger
- Maximum submergence to 17 feet for Vortex
- AISI 304 SS casing or impeller
- Continuous duty rated, non-overloading motor.



Series	HP	Phase	Dimensions in inches (mm)			Discharge Size	Wt. (lbs.)
			H	HT	L		
1WS	1/2	3	15 1/2 (391)	3 1/8 (88)	7 1/2 (193)	1 1/2"	20
		1	17 1/2 (438)				22
2WS	3/4	3	18 (458)	4 1/8 (111.5)	7 1/2 (198)	2"	30
		1	18 3/4 (478)				32
	1	1					34
		3					32



2WC 2VW

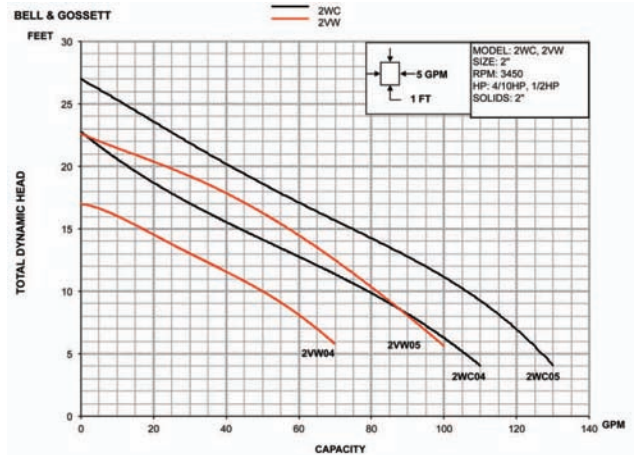
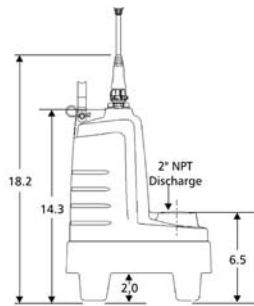
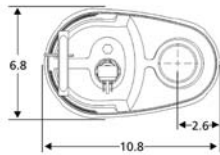
Applications

Specifically designed for the following uses:

- Homes • Sewage systems • Dewatering/Effluent • Water transfer

Specifications

- See Model Information for specific HP, voltage, phase and RPM's available.



Submersible Sewage Pumps	NPT Discharge	Solids Handling	Capacities	Maximum Head	Housing Material Construction
1WS/2WS	1 1/2" and 2"	1 3/8" and 2"	130 GPM	47 feet TDH	Stainless Steel
1WV/2WV	1 1/2" and 2"	1 3/8" and 2"	175 GPM	39 feet TDH	Stainless Steel
2WC	2"	2"	130 GPM	27 feet TDH	Cast Iron
2VW	2"	2"	100 GPM	22 feet TDH	Cast Iron

Submersible Sewage Pumps

2WT/2WF

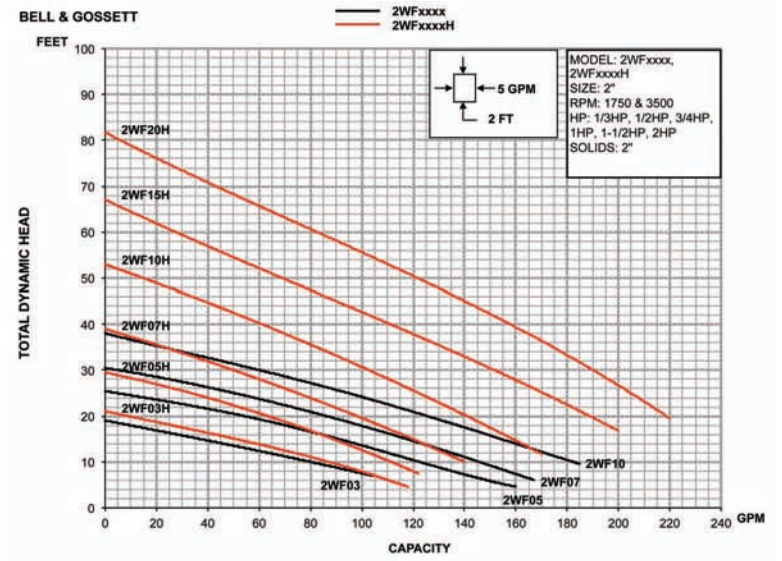
Applications

Specifically designed for the following uses:

- Homes
- Sewage systems
- Dewatering/Effluent
- Water transfer
- Light industrial
- Commercial applications

Specifications

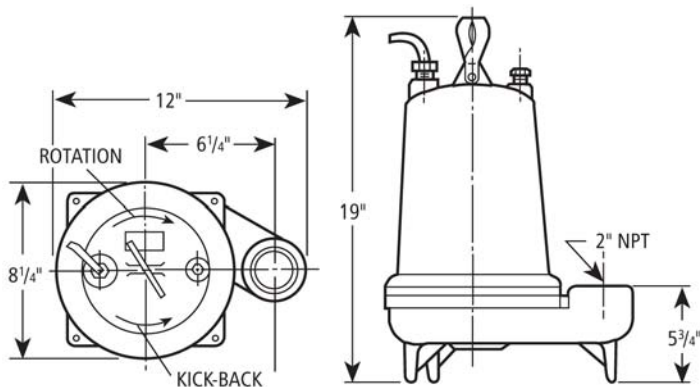
- Cast iron, semi-open impeller
- Silicon carbide vs silicon carbide mechanical seal
- Stainless steel corrosion resistant shaft



2WF-H

Specifications

- Cast iron, semi-open impeller
- Silicon carbide vs silicon carbide mechanical seal
- Stainless steel corrosion resistant shaft
- Threaded companion flange as standard. 3" option available but must be ordered separately. (Order no. A1-3)
- See Model Information for specific HP, voltage, phase and RPM's available



Submersible Sewage Pumps	Discharge	Solids Handling	Capacities	Maximum Head	Housing Material Construction
2WT	2" NPT	2"	183 GPM	38 feet TDH	Cast Iron
2WF	2" Flanged	2"	183 GPM	38 feet TDH	Cast Iron
2WF_H	2" Flanged	2"	220 GPM	81 feet TDH	Cast Iron

Submersible Sewage (Vortex) Pumps

2WP

Applications

Specifically designed for the following uses:

- Residential sewage systems
- Dewatering
- Water transfer

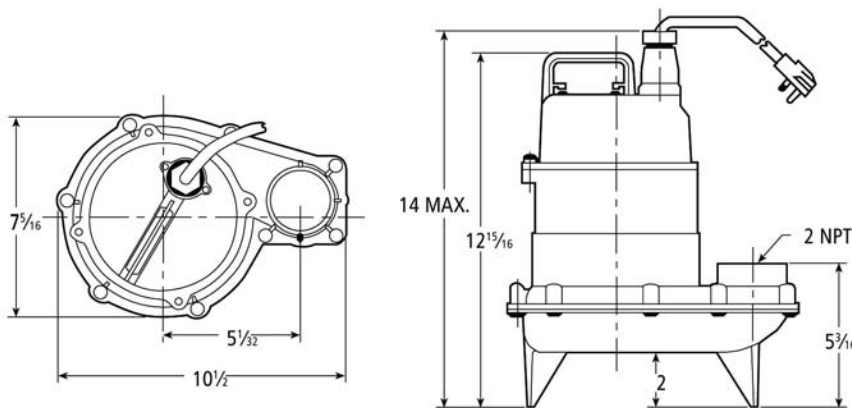
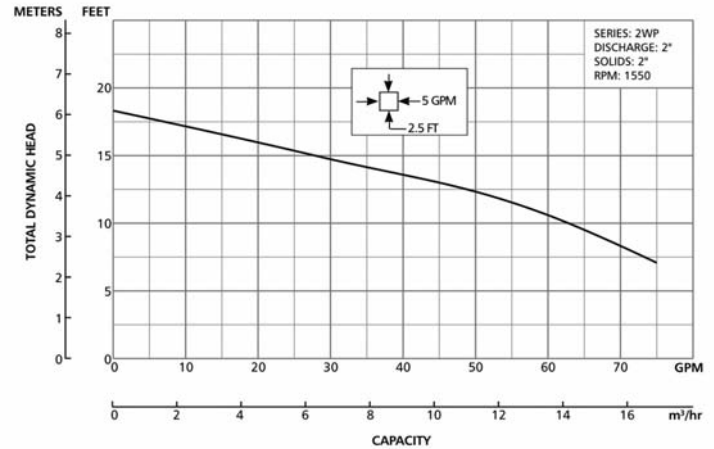
Specifications

Pump:

- Mechanical seal: carbon-rotary/ceramic-stationary, BUNA-N elastomers
- Fasteners: 300 series stainless steel

Motor:

- Single phase: ½ HP, 115 V or 230 V, 60Hz, 1550 RM, built in overload with automatic rest.
- Power cord: 10 foot standard length, 16/3 SJTW with molded NEMA three prong grounding plug. Optional 20 foot length.
- Fully submerged in high grade turbine oil for lubrication and efficient heat transfer



Submersible Sewage Pumps	NPT Discharge	Solids Handling	Capacities	Maximum Head	Housing Material Construction
2WP	2"	2"	75 GPM	18 feet TDH	Plastic

Submersible Sewage Pumps

3WDA/4WDA

3WDA

3" Flanged Discharge, 2" Solids Handlings

4WDA

4" Flanged Discharge, 3" Solids Handlings

Applications

Used in a variety of residential, commercial and industrial applications such as:

- Sewage systems
- Farms
- Hospitals
- Dewatering/Effluent
- Motels
- Trailer courts
- Flood and pollution control

Specifications

Pump:

- 300 Series stainless steel fasteners
- 20' Power cord
- Standard silicon carbide/silicon carbide outer (lower) seals

Motor:

- Maximum ambient temperature: 104°F (40°C) continuous duty, 140°F (60°C) intermittent duty.
- Rated for continuous duty when fully submerged.
- Insulation: Class B
- RPM: 1750; 60 Hz
- Single row ball bearings
- 300 Series stainless steel keyed shaft

Single Phase:

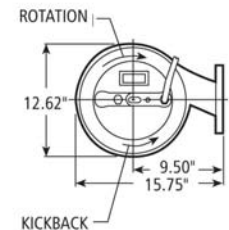
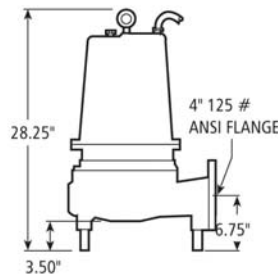
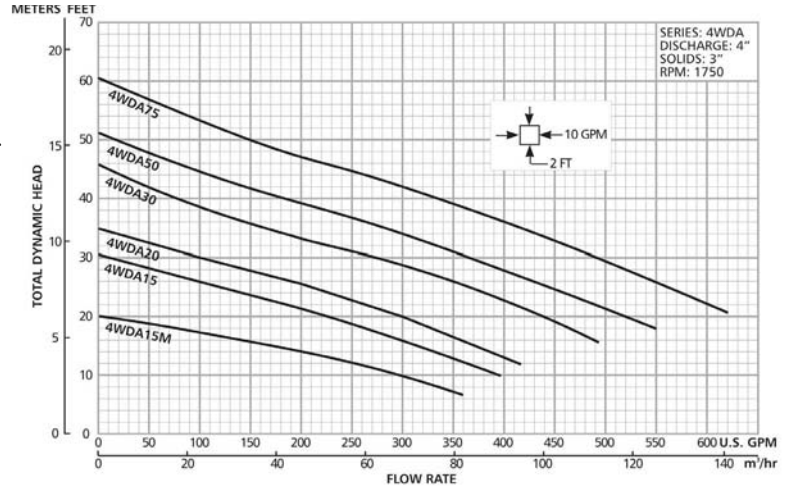
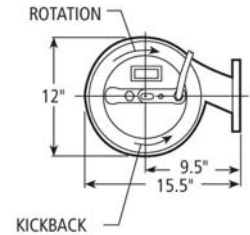
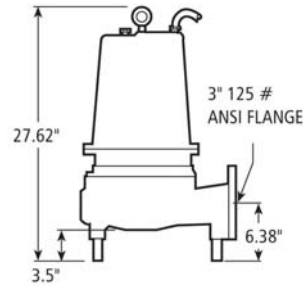
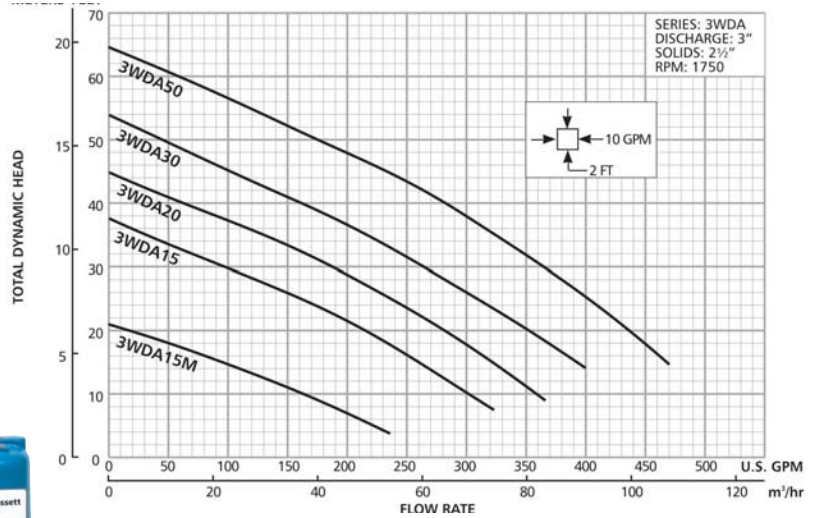
- 1.5 - 5 HP; 208 and 230 volts
- Built-in capacitors
- On-winding, built-in thermal overloads

Three Phase:

- 1.5 - 5 HP; 200, 230, 460 and 575 volts
- Overload protection must be provided in control panel

Pump/Motor Options:

- Silicon bronze impeller
- Tungsten carbide outer seals
- Longer power cords: 30', 50' and 100'



Pumps	Maximum Solid Size	Discharge Size	Maximum Capacity	Maximum Total Head
3WDA	2.5"	3"	470 GPM	65 feet
4WDA	3"	4"	620 GPM	60 feet

Submersible Grinder Pump

12GS

1 1/4" NPT Discharge

Applications

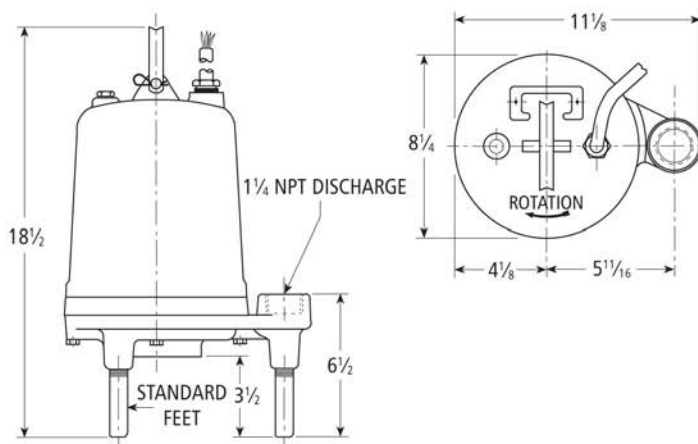
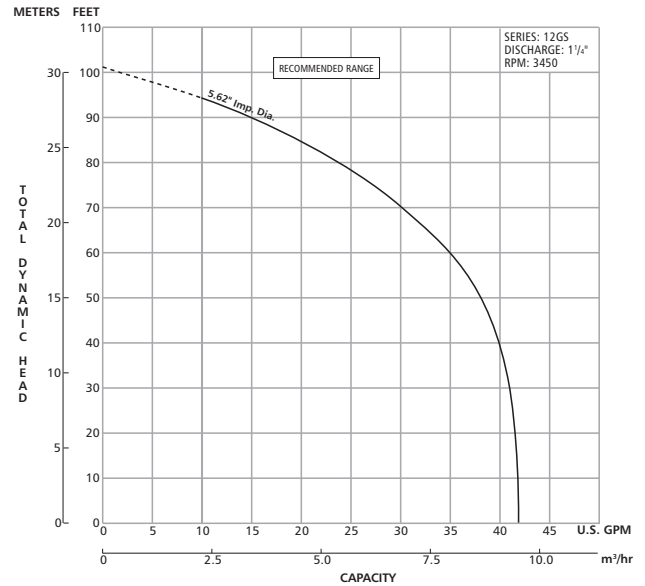
Designed for high head residential sewage applications where a gravity system is not practical. Ideal for pressure sewage systems.

Specifications

- Capacities: to 41 GPM
- Total heads: to 95' TDH
- Discharge: 1 1/4" NPT
- Fasteners: 300 series stainless steel
- Single mechanical seal: Silicon carbide rotary/silicon carbide stationary, 300 series stainless steel metal parts, BUNA-N elastomers.
- Rotating cutter and cutter ring: 440 C hardened stainless steel

Motor:

- Single phase: 2 HP, 60 Hz, 3450 RPM, 208/230V, capacitor start with on winding thermal protector.
- **No external capacitor kits required.**
- Class F insulation
- Shaft: 300 series stainless steel threaded design
- Bearings: ball bearings upper and lower
- Power cord: 20 feet standard 14/3 STOW with bare leads. Optional lengths available.



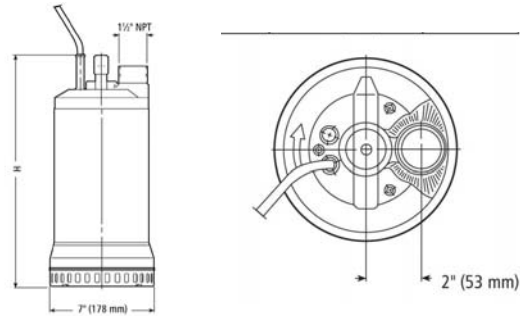
Submersible Dewatering Pumps

1DS

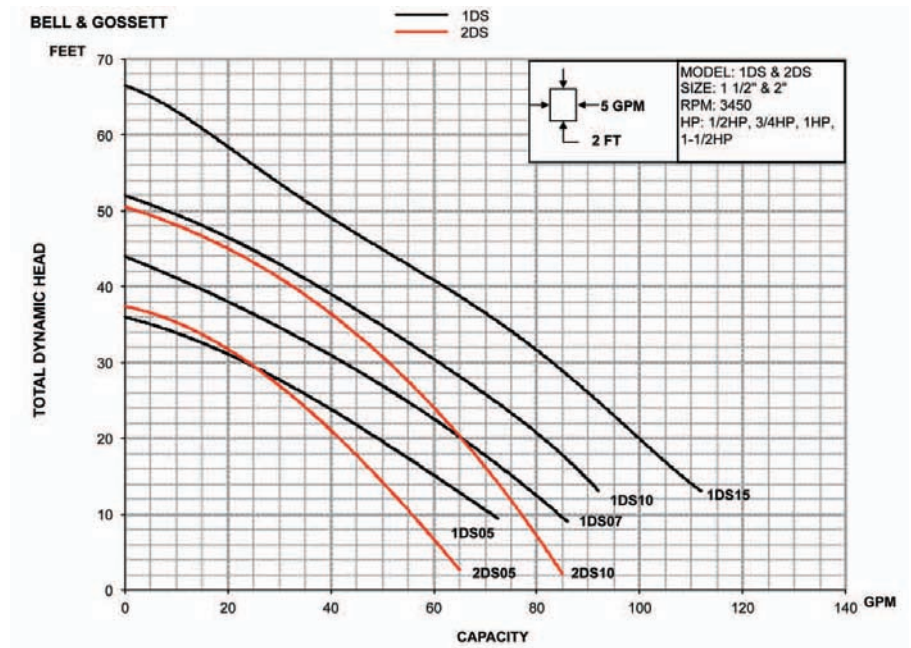
Applications

Specifically designed for the following uses:

- Handling dirty waters
- Excavating in the building trades
- Water transfer
- Industrial water drainage or transfer



Series	HP	Phase	Dimensions in inches (mm)	Discharge Size
			H	
1DS	1/2	1	14 1/4 (363)	1 1/2"
		3	13 3/4 (348)	
	3/4	1	15 1/4 (383)	
		3	14 (363)	
	1	1	15 1/4 (403)	
		3	15 1/4 (383)	
1 1/2	3	15 1/4 (403)		



2DS

Applications

Specifically designed to remove water from:

- Drainage ditches
- Trenches
- Basements
- Manholes
- Excavating drainage in the building trades



Model Information

Order No.	HP	Volts	Phase	Max. Amp	RPM	H (in.)	Wt. (lbs.)
2DS0511	1/2	115	1	5.5	3500	15.75	20
2DS0512		230		2.9			
2DS1011	1	115		9.8		17	25
2DS1012		230		4.9			

Submersible Dewatering Pumps

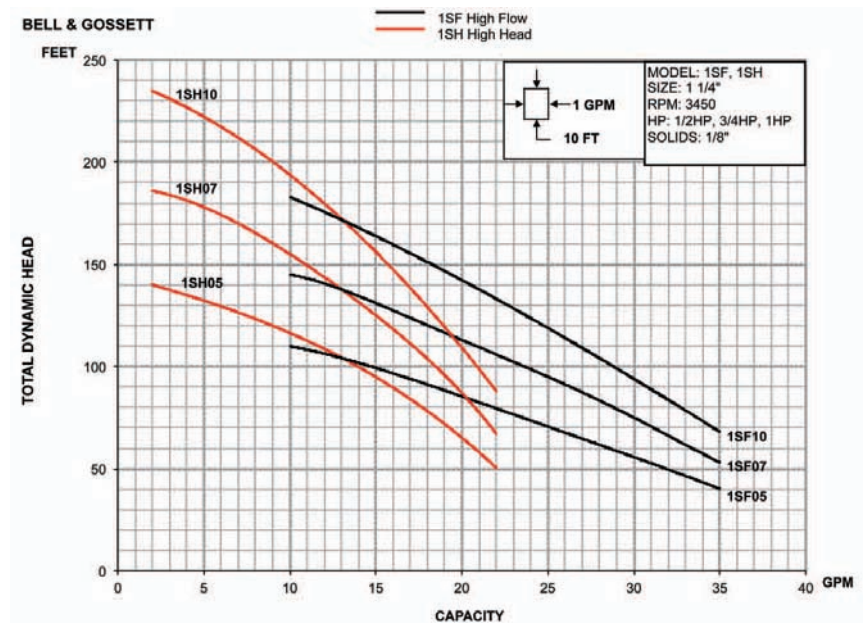
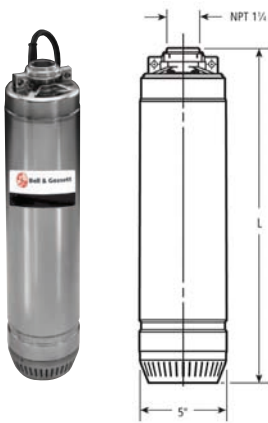
1SF/1SH

Applications

Submersible water pumps designed for pumping out of reservoirs and storage tanks:

- Homes and farms
- Mobile home parks and motels
- Schools and hospitals
- Municipal applications
- Industrial applications
- Commercial applications

Series	HP	Phase	"L" Dimensions in inches	Discharge Size
1SF/ 1SH	1/2	1,3	19 1/8	1 1/4
	3/4	1,3	20 1/8	
	1	1,3	21 1/4	



Submersible Dewatering Pumps	NPT Discharge	Solids Handling	Housing Material Construction
1DS	1 1/2"	3/8"	Stainless Steel
2DS	2"	3/8"	Cast Iron
1SF/1SH	1 1/4"	1/8"	Stainless Steel

MSDS

SINK DRAIN SYSTEM

1½" NPT Discharge

Applications

Specially designed for the following uses:

- Laundry tray
- Wet bar sink
- Air conditioning or dehumidifier condensate
- Residential dishwashers
- Beautician sink

Specifications

Completely assembled and ready to pipe with SC03 pump.



MWP

PACKAGED SEWAGE SYSTEMS

Applications

- For home, rural water districts, parks and dewatering.
- Wastewater.
- Sewage lift station.
- Anywhere waste or drainage must be disposed of quickly, quietly and efficiently.

Specifications

Completely assembled and ready to pipe with pump 2WC51.



CentriPro® Accessories

- Panels
- Float Switches
- Basins / Covers
- Pump Removal System
- Fittings
- Packaged Basin Kits



Xylem |'zīləm|

- 1) The tissue in plants that brings water upward from the roots;
- 2) a leading global water technology company.

We're 12,000 people unified in a common purpose: creating innovative solutions to meet our world's water needs. Developing new technologies that will improve the way water is used, conserved, and re-used in the future is central to our work. We move, treat, analyze, and return water to the environment, and we help people use water efficiently, in their homes, buildings, factories and farms. In more than 150 countries, we have strong, long-standing relationships with customers who know us for our powerful combination of leading product brands and applications expertise, backed by a legacy of innovation.

For more information on how Xylem can help you, go to www.xyleminc.com



Xylem Inc.
2881 East Bayard Street
Seneca Falls, NY 13148
Phone: 866-672-3669
Fax: 888-322-5877
www.xyleminc.com/brands/bellgossett

Bell & Gossett is a trademark of Xylem Inc. or one of its subsidiaries.
© 2011 Xylem Inc. E-100B December 2011