

SureFire II Lubricator

Automatic, Oil & Fluid Grease, Single Phase



General

The SureFire II Lubricator is an automatic, robust and durable pump. Its compact size is designed to fit your space requirements and lubrication demands. The SureFire II Lubricator is a self-contained electric motor-driven gear pump that can adapt to a broad range of production machinery. The PDI version can handle oil or fluid grease for single injectors or injector groups serving up to 100 lubrication points. The SLR version uses oil to supply resistance fittings or resistance fittings groups serving up to 100 lubrication points. The SureFire pump's versatility also allows it to perform with other lubrication system types and multiple applications.

PDI Operation

The SureFire II PDI Lubricator has a motor-driven pump that pulls lubricant in from the reservoir and delivers pressurized lubricant to the distribution network through the outlet(s) in the top plate. Pressurizing the distribution network forces all of the positive displacement injectors (PDIs) in the system to fire, discharging the lubricant that was stored in each of their discharge chambers during the last pump cycle.

Once all of the PDIs discharge, the pressure in the network continues to rise until the limit in the pressure switch is reached. Once this limit is reached, the pressure switch can be used to stop the motor, and momentary pressure in the distribution network becomes greater than the pressure at the outlet side of the gear pump. This pressure differential actuates a quick dump valve which relieves the distribution line pressure back into the reservoir.

SLR Operation

The SureFire SLR Lubricator has a motor-driven pump that pulls oil in from the reservoir and delivers pressurized oil to the distribution network through the outlet(s) in the top plate. Pressurizing the distribution network forces all of the resistance fittings in the system to discharge the oil in proportioned quantities to the friction points. The resistance fittings continue to flow and the pump builds pressure until pressure relief valve setting is reached (75 psi/5 bar). Once the motor is shut off, pressure in the distribution network returns to near 0 psi. This actuates a quick dump valve which relieves the line pressure back into the reservoir.

Features

- + PDI version handles oil and fluid greases
- + SLR version handles oil
- + Low level switch for fail safe operation
- + Oil outlet connections on either side for easy installations
- + Plastic and metal reservoirs available
- + Convenient terminal block provides fault-free electrical connections
- + Large capacity fill cap with built-in strainer minimizes contamination
- + All versions are CE approved
- + Two controller versions available, Premium and Lite functionality
- + On/Off Timer version available
- + Terminal block version available without integral control, for operation via customer PLC, DCS, etc.



3 Liter Single Phase Standard

Refer to the following documents:

- + *Catalog #500: Surefire II*

BIJUR DELIMON INTERNATIONAL

(919) 465 4448 LOCAL
(800) 631 0168 TOLL-FREE
(919) 465 0516 FAX

WWW.BIJURDELIMON.COM

2250 Perimeter Park Dr., Suite 120
Morrisville, NC 27560

Premium Controller/Monitor

The SureFire II with the premium controller/monitor is designed to precisely control the lubrication to a piece of equipment. It does this by controlling the pump's cycle time, monitoring both internal and external inputs or switches, detecting and reporting faults, and offering visual feedback that can be continuously updated and improved to enhance the user's experience with the product.

The functions of this microprocessor-based controller are as follows:

- + Manage the on times and the off times of the pump
- + Provide prelube functionality on start up
- + Detect and respond to various input signals
- + Display in real time the status of the pump at any time
- + Monitor for faults in the system
- + Provide output signals for feedback to the controlling machine

Lite Controller/Monitor

The SureFire II Lite Controller is a multi-purpose programmable controller. Controller settings are saved whenever power is interrupted. Up to four operating modes can be selected which allows the controller to be used with various lubrication system designs.

- + Digital status display on the front of the pump for easy programming
- + System monitoring capabilities
- + Data memory function initiated at power down
- + Compact design

ON/OFF Timer

The SureFire II Lubricator is also available with an ON/OFF timer option to provide basic timing functions, as detailed below:

- + Digital status display on the front of the pump for easy programming
- + ON time range = 1 second to 99 hours
- + OFF time range = 1 second to 99 hours
- + ON and OFF time settings are adjusted using the programmable controller
- + Upon power up, timer begins with ON time settings
- + Customer simply connects (+) and (-) power to the lubricator controller terminals

Provide output signals for feedback of a fault to the controlling machine

Without Integral Control

The SureFire II Lubricator is available without integral control option for operation via customer PLC, DCS, etc. , two options detailed below:

- + Terminal block
- + Terminal block with momentary run switch and motor 'on' LED

ATTENTION

Additional information about the premium controller is available in Operators Manual #36414: SureFire II Controller Supplement.

The premium controller also features the protection of settings, through password based security, protection of motors with limited duty cycles and restoration of default settings if required.



2 Liter Single Phase w/ Controller

BIJUR DELIMON INTERNATIONAL

(919) 465 4448 LOCAL
(800) 631 0168 TOLL-FREE
(919) 465 0516 FAX

WWW.BIJURDELIMON.COM

2250 Perimeter Park Dr., Suite 120
Morrisville, NC 27560

Technical Data

Output Volume - 115 VAC, 230 VAC (max.) Single Phase	250cc/min @ 60 Hz 210cc/min @ 50 Hz	
Output Volume - 24 VDC (max.)	250cc/min	
Output Pressure (max.)	PDI	450 psi (31 bar)
	SLR	75 psi (5 bar)
Pressure Switch Setting¹	PDI	Closes at 290 psi (20 bar)
	SLR	Closes at 20 psi (1.4 bar)
Lubricant Viscosity	Standard Oil version:	20 to 1500 cSt @ operating temperature
	Light Oil version:	5-40 cSt @ operating temperature
Soft Greases²	NLGI grade 000 - NLGI grade 00 (40,000 cSt max)	
Reservoir Fill Screen (oil only)	40 mesh, removable	
Reservoir Volume	2 liter	
	3 liter	
	6.0 liter	
	12.0 liter	
Reservoir Material	Luran (Blue Tint) for 2, 3 and 6 liter	
	Steel for 2, 3, 6 and 12.0 liter	
Motor Voltage Options	100/115 VAC 50/60 Hz Single Phase	
	200/230 VAC 50/60 Hz Single Phase	
	24 VDC	
Motor Power Requirements³	100/115 VAC Single Phase	1.0 amps
	200/230 VAC Single Phase	0.70 amps
	24 VDC	2.4 amps
Operating Temperature Range	40°F through 105°F (5°C through 40°C)	
IP Enclosure Rating	IP-54	
Electrical Fitting	Liquid tight	
Output Connection (x2, one each side)	G 1/4 BSPP	
Return Line Connection	G 1/4 BSPP	
Single (main) Feed Line	6mm O.D. minimum recommended	

¹ PDI: External end-of-line pressure switch also available (part #26772-2; 225 psi/15.5 bar).

SLR: Pressure switch is optional for SLR.

External end-of-line pressure switch also available (part #26641-2; 55 psi/3.8 bar).

² PDI version only. Please contact a Bijur Delimon representative for applications using soft grease.

³ Motor Overload Protection needs to be provided by the host machine and/or its control system.



2 Liter Single Phase Standard

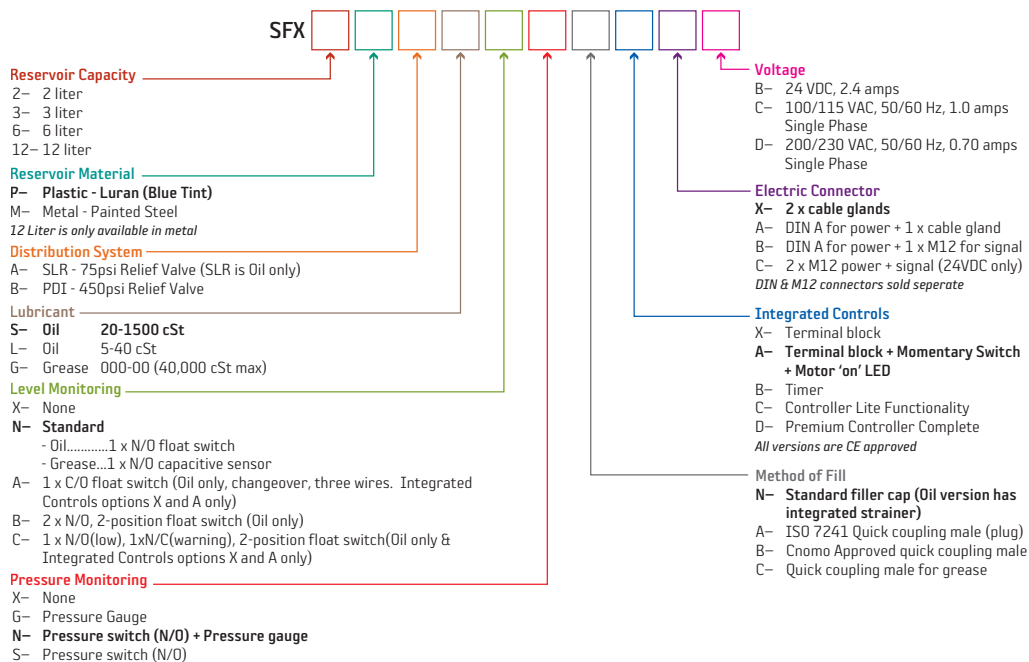
BIJUR DELIMON INTERNATIONAL

(919) 465 4448 LOCAL
(800) 631 0168 TOLL-FREE
(919) 465 0516 FAX

WWW.BIJURDELIMON.COM

2250 Perimeter Park Dr., Suite 120
Morrisville, NC 27560

How to Order



ATTENTION

Additional information about the DIN and M12 connectors is available in Catalog #500: SureFire II Lubricator.

All versions are CE approved.



NOTE:

Items in **BOLD** are standard options. Other options may have longer lead time.

The SureFire II Lubricator features a smart part number ordering system, where you can tailor the pump to meet your needs. First, choose the reservoir capacity and material, distribution system, pump options, controller type and voltage you need. Then, put the numbers into the corresponding squares in the easy-to-use grid. You now have the customized part number.

Example: To order a 2 liter reservoir with a volumetric/PDI distribution system, standard options, terminal block and a 115 VAC motor, you would use Part #SFX2PBSNNNAXC.

NOTE:

For 3-Phase Voltage Motors refer to the following documents:

- + Datasheet #36701: Surefire II 3-Phase PDI-SLR

BIJUR DELIMON INTERNATIONAL

(919) 465 4448 LOCAL
(800) 631 0168 TOLL-FREE
(919) 465 0516 FAX

WWW.BIJURDELIMON.COM

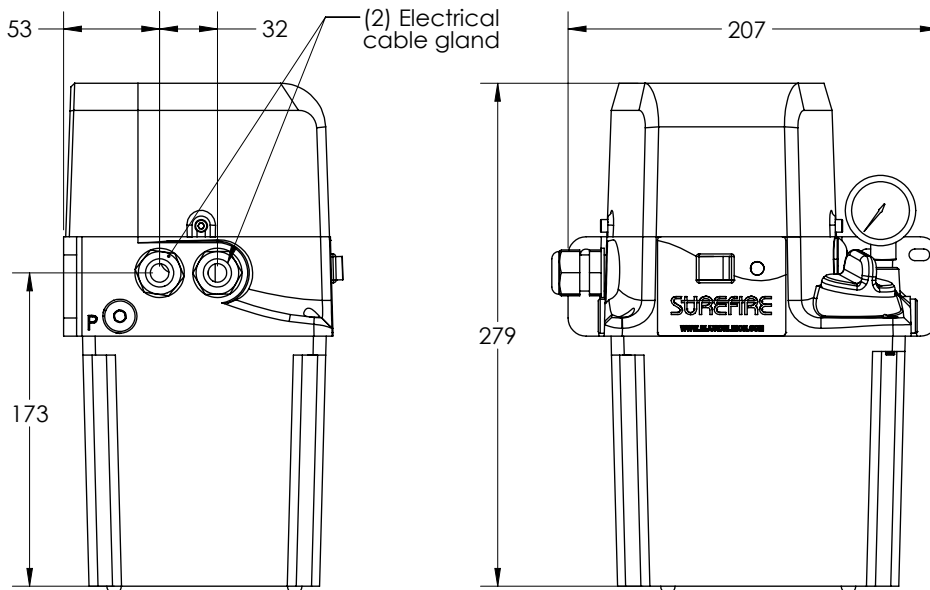
2250 Perimeter Park Dr., Suite 120
Morrisville, NC 27560

36410 • R2 01/17

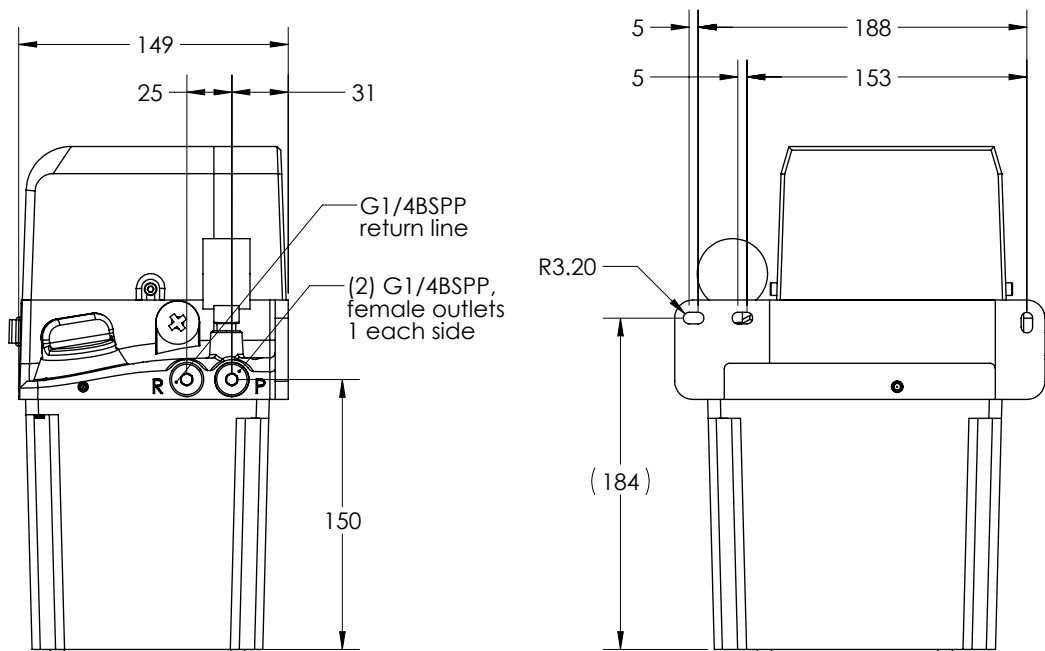
Dimensional Schematics

SureFire II 2 Liter (115 VAC, 230 VAC and 24 VDC Single Phase)

Measurements shown in millimeters.



2 Liter Single Phase w/ Controller



BIJUR DELIMON INTERNATIONAL

(919) 465 4448 LOCAL
(800) 631 0168 TOLL-FREE
(919) 465 0516 FAX

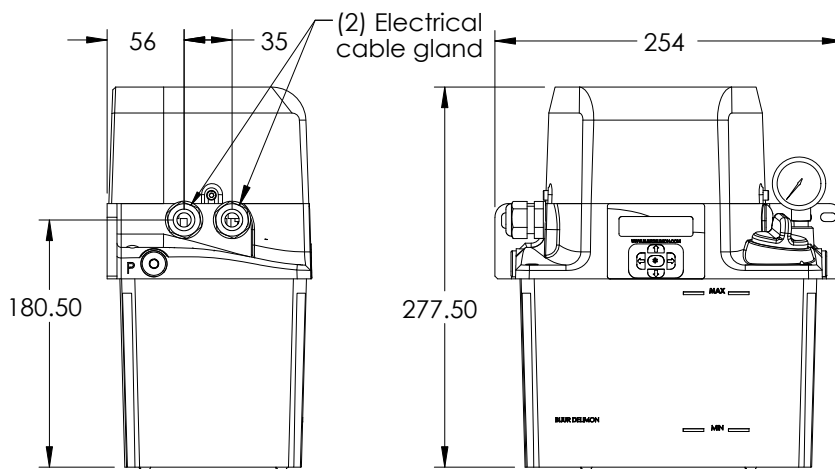
WWW.BIJURDELIMON.COM

2250 Perimeter Park Dr., Suite 120
Morrisville, NC 27560

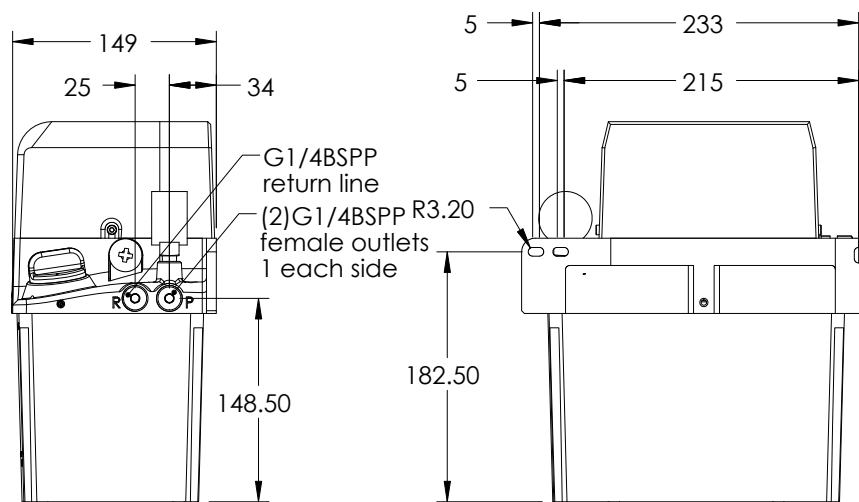
Dimensional Schematics

SureFire II 3 Liter (115 VAC, 230 VAC and 24 VDC Single Phase)

Measurements shown in millimeters.



3 Liter Single Phase Standard



3 Liter Single Phase w/ Controller

BIJUR DELIMON INTERNATIONAL

(919) 465 4448 LOCAL
(800) 631 0168 TOLL-FREE
(919) 465 0516 FAX

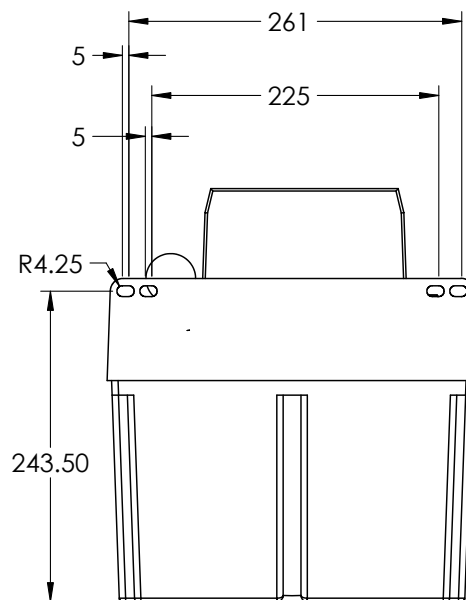
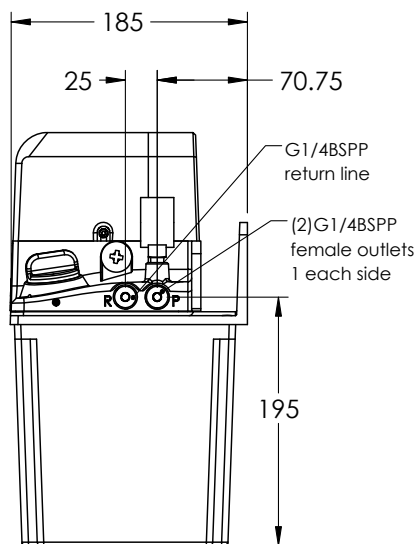
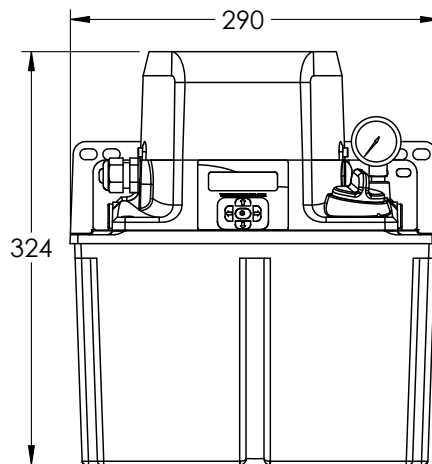
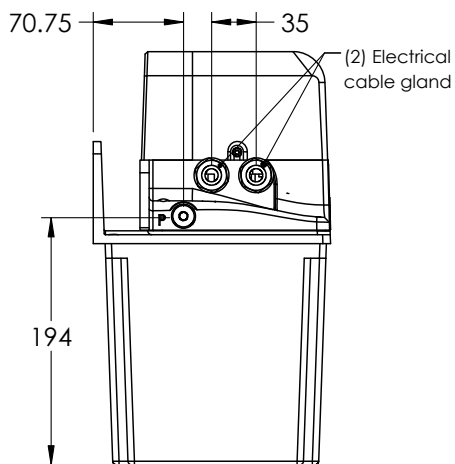
WWW.BIJURDELIMON.COM

2250 Perimeter Park Dr., Suite 120
Morrisville, NC 27560

Dimensional Schematics

SureFire II 6 Liter (115 VAC, 230 VAC and 24 VDC Single Phase)

Measurements shown in millimeters.



6 Liter Single Phase Standard



6 Liter Single Phase w/ Controller

BIJUR DELIMON INTERNATIONAL

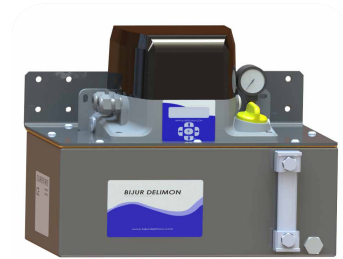
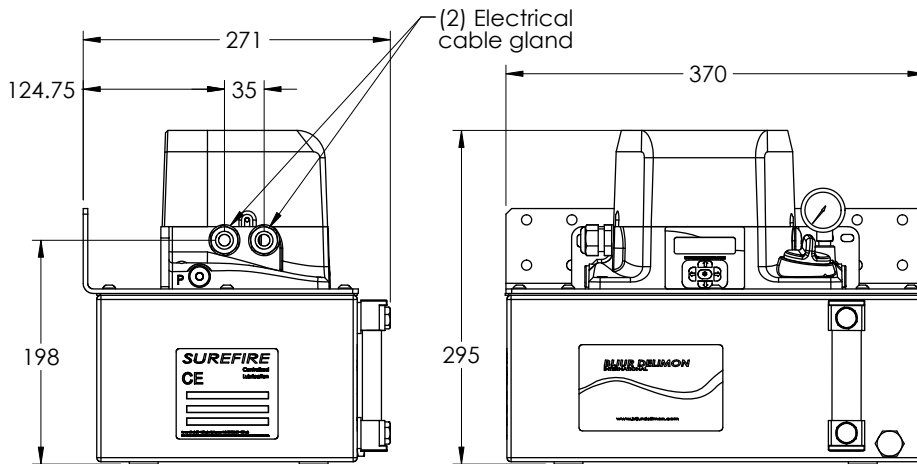
(919) 465 4448 LOCAL
(800) 631 0168 TOLL-FREE
(919) 465 0516 FAX

WWW.BIJURDELIMON.COM

2250 Perimeter Park Dr., Suite 120
Morrisville, NC 27560

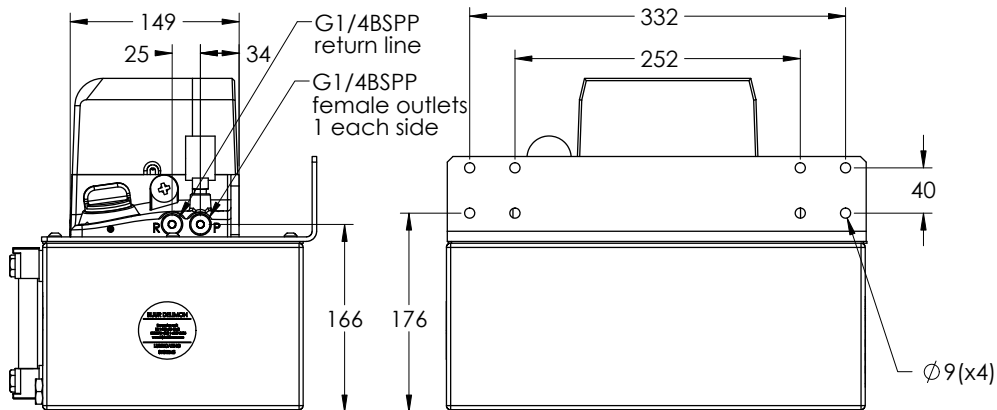
Dimensional Schematics

SureFire II 12 Liter (115 VAC, 230 VAC and 24 VDC Single Phase)



Measurements shown in millimeters.

12 Liter Single Phase w/ Controller



BIJUR DELIMON INTERNATIONAL

(919) 465 4448 LOCAL
(800) 631 0168 TOLL-FREE
(919) 465 0516 FAX

WWW.BIJURDELIMON.COM

2250 Perimeter Park Dr., Suite 120
Morrisville, NC 27560