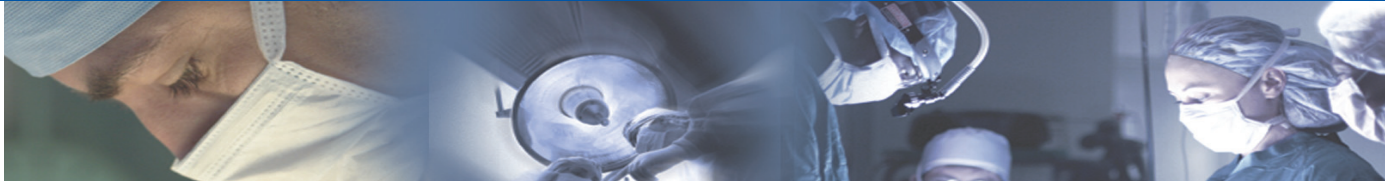
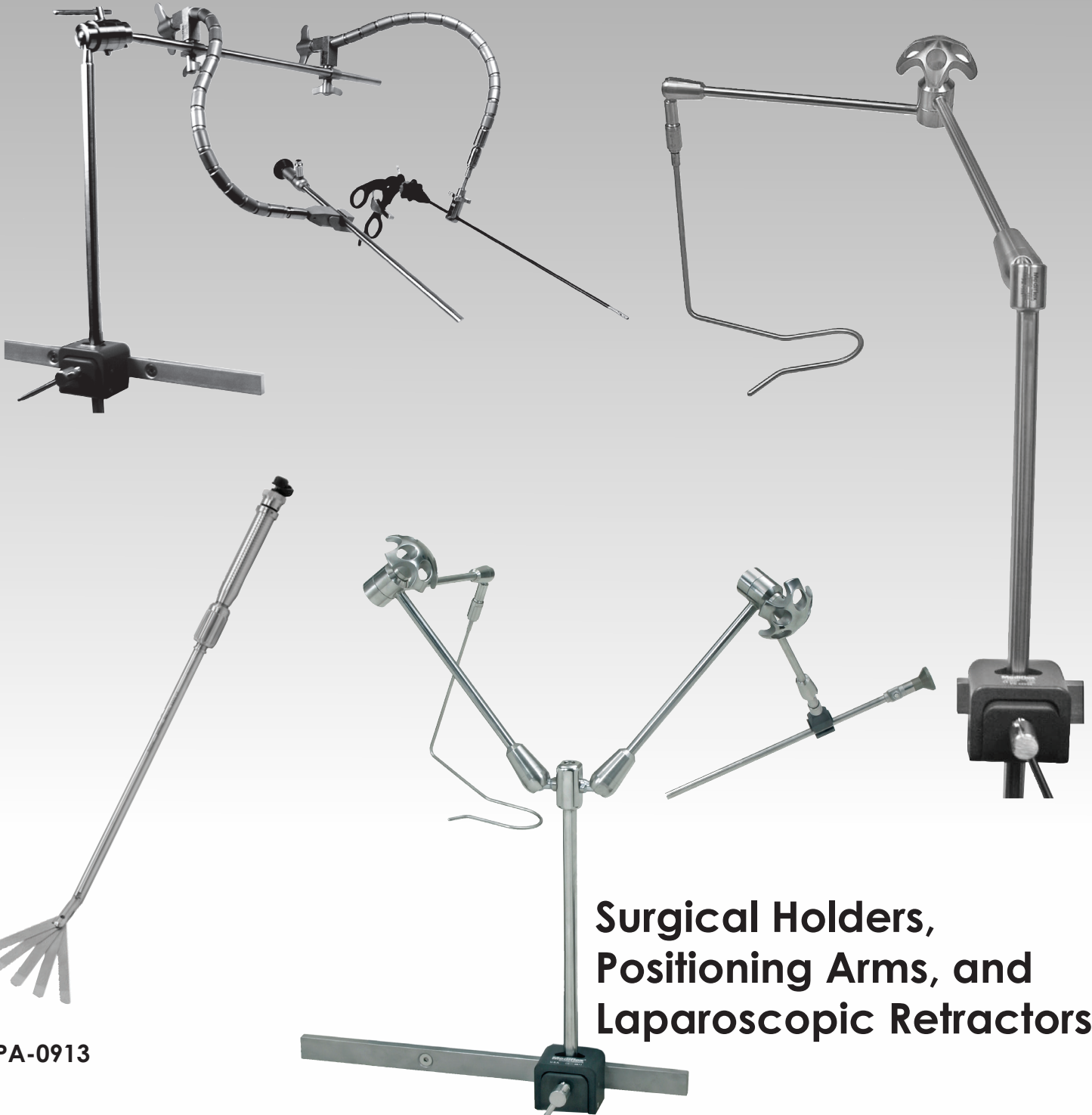


Quality  
Integrity  
Reliability  
Since 1969



# Mediflex<sup>®</sup>

SURGICAL PRODUCTS



SHPA-0913

**Surgical Holders,  
Positioning Arms, and  
Laparoscopic Retractors**

**MEDIFLEX®**  
**THE SURGICAL INNOVATION COMPANY™**

For over 40 years, Mediflex has been designing and manufacturing uniquely engineered surgical devices used in operating rooms throughout the world. Working in close collaboration with famous surgical leaders including John Bookwalter, MD, Herbert Dardik, MD, and Mel Greenberg, MD, Mediflex has built an arsenal of surgical devices offering ease-of-use and state-of-the-art performance.



In this catalog SHPA-0913, we feature the widest variety of Table Mounted Surgical Arms and Laparoscopic Retractors available today. First used in 1969 to hold a valve retractor in open-heart surgery, our FlexArm™ Holder and Positioner was introduced for Gynecologic Laparoscopy beginning in 1974. At that time, with no video available, no one could assist the surgeon. The

surgeon had to hold the scope while using only one hand to operate. The addition of a Mediflex Arm to hold the scope enabled surgeons to use 2 hands in operative procedures, a significant advance that still offers these benefits today.



In 2006, in response to surgeons wanting to use arms to hold heavy tissue with various retractors in Laparoscopy, we introduced our StrongArm™ Surgical Holder and Positioner. As the value and ease of use of these devices became apparent, surgeons began using them in open surgery; initially with our Mini-Bookler® Table Mounted Retractor Systems for Pediatric and Small Incision Surgery, and after the introduction of the StrongArm PLUS™ Device in 2011, with full-sized Bookler Table Mounted Retractor Systems.



Today, our Holders, Positioning Arms and Retractors are recognized around the world by surgeons who once again have

direct control over their camera and retractor positions while having two hands free to operate. Operating theater directors and hospital administrators appreciate the potential reduction in personnel during laparoscopic procedures which in turn allows for more efficient utilization of the human resources within the operating theater.



For additional information please contact your Mediflex Distributor or visit us at: [www.mediflex.com](http://www.mediflex.com)



Mediflex Headquarters  
 Islandia, New York, USA

*Quality.  
 Integrity.  
 Reliability.*  
 Since 1967



**MEDIFLEX IS CERTIFIED  
 TO STANDARDS:  
 ISO 13485**

# Surgical Holders, Positioning Arms, and Laparoscopic Retractors

PAGE(S)

## FlexArm™ Surgical Holders and Positioners

Introduction.....	2
One-Piece FlexArm Devices.....	3
The Original Universal FlexArm System; Single Arm Systems.....	4
The Original Universal FlexArm System; Twin Arm Systems.....	4
The Long Reach Universal FlexArm System; Single Arm Systems.....	5
The Long Reach Universal FlexArm System; Twin Arm Systems.....	6
Companion Arms for Universal Systems.....	7
Posts and Rail Clamps for Universal Systems.....	8
Bookler® FlexArm Systems.....	9
Endoscope and Instrument Holding Tips.....	15

## StrongArm™ Surgical Holders and Positioners

Introduction.....	10-11
Single Arm StrongArm Devices .....	12-13
Twin Arm and Combo Arm StrongArm Systems.....	13
Bookler® StrongArm Systems.....	14
Endoscope and Instrument Holding Tips.....	15
Bookler/Mini-Bookler Ratchet Bar Blade Attachments.....	15

## Nathanson Liver Retractors and Systems

Nathanson Hooks for Liver Retraction.....	16
Nathanson StrongArm Systems.....	17-18
Nathanson FlexArm Systems.....	18

## Mediflex Sterilization Trays

Wrapable Trays.....	8,17
---------------------	------

## Laparoscopic Retractors

Kite and Articulating Style Fan Retractors.....	19
Articulating Esophageal Dissector/Retractor.....	19
"S" Retractors for Hasson.....	19
Multi-Purpose Knot Pusher/Palpation Probe.....	19

<b>MicroGrip™ Ratching Retractor/Graspers.....</b>	<b>20</b>
--	-----------

<b>Numeric Index .....</b>	<b>Inside Back Cover</b>
----------------------------	--------------------------

# THE MEDIFLEX® FLEXARM™ SURGICAL HOLDING AND POSITIONING DEVICE THE ORIGINAL SURGICAL ARM...USED IN LAPAROSCOPIC PROCEDURES SINCE 1974!

All FlexArm™ models have a number of features in common including:

## Two Unique Designs:



**One-Piece Systems with Built-in Rail Clamp (see page 3)**  
Shown above:  
Ref. No. 69045-QG10



**Universal Post Mount Systems (see pages 4 to 6)**

### FLEXIBLE POSITIONING WITH ADJUSTABLE RIGIDITY

The arm will assume an almost unlimited number of positions and can be firmly tightened to hold a given location, but is still easily moveable to where the surgeon needs it.

### HOLDS VIRTUALLY ANY INSTRUMENT, RETRACTOR OR SCOPE

Can reduce/eliminate hand-held retraction in laparoscopy.

Minimizes hand-held scope manipulation.

A range of distal tips can hold devices ranging from 1.5mm to 15mm in diameter.

### ATTACHES TO OR TABLE RAIL IN A TRADITIONAL MANNER

No additional devices or tools required.

### AVAILABLE IN A VARIETY OF CONFIGURATIONS

Standard or Long Reach Models accommodate any size patient.

Single Arm Units available to hold scope or instrument.

Twin Arm Systems can hold scope and instrument.

All arms feature interchangeable distal tips for a wide range of uses.

### ARMS LOCK WITH A SINGLE KNOB

Locking the arm in position is simple.

### EASILY CONFORMS TO ALMOST ANY POSITION

Completely versatile in placement capability.

### MADE IN U.S.A. FROM 100% SURGICAL GRADE STAINLESS STEEL

FlexArm Devices are available with a Quick-Disconnect **(A)** Hexagonal Fitting used with our interchangeable tips or can be ordered with permanently attached Stainless Steel Tip**(B)** or Delrin Tip **(C)**.



Quick Disconnect Hexagonal Fitting



Permanently Attached Stainless Steel Tip



Permanently Attached Delrin Tip

### Available Scope and Instrument Holding Tips:

#### Stainless Steel Tip



69706

#### Delrin Tip



69707

**Quick-Grip Scope Holding Attachments- 2 Models available for 5 & 10 mm scopes**



72162 (10mm)



72163 (5mm)



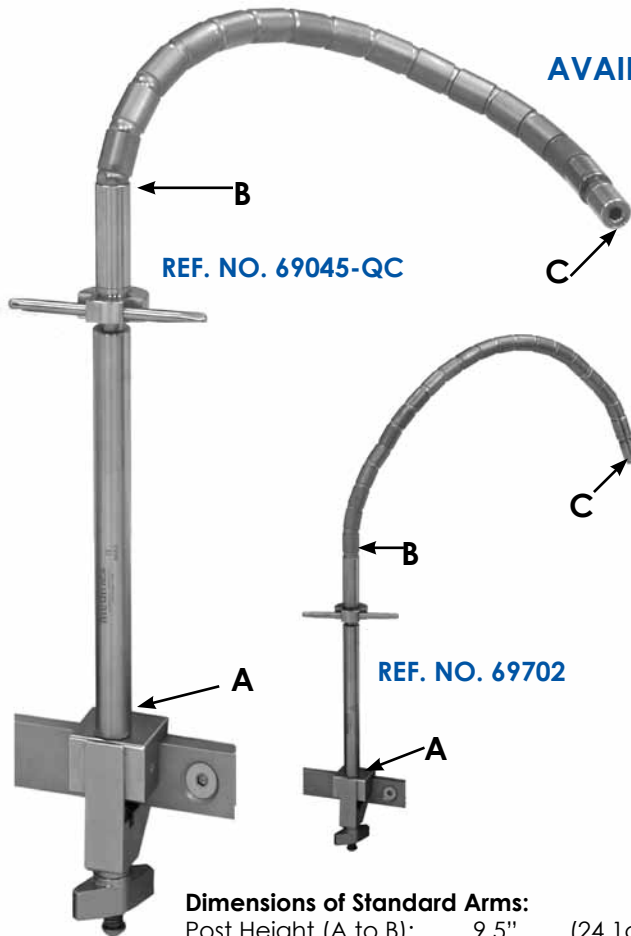
UNLOCKED

LOCKED

LOCKED WITH TIP INSERT

## ONE-PIECE DESIGN WITH BUILT-IN RAIL CLAMP SIMPLICITY IN USE

### AVAILABLE IN STANDARD & LONG REACH LENGTH MODELS



REF. NO. 69045-QC

REF. NO. 69702

**Dimensions of Standard Arms:**

Post Height (A to B): 9.5" (24.1cm)  
 Flexible Reach (B to C): 16" (40.6cm)  
 Note: Tips will add about 3" (7.6cm) to total Arm length

◀ **REF. NO. 69045-QC**

Standard One-piece Flexible Arm with Quick Disconnect Hexagonal Fitting

◀ **REF. NO. 69702**

Long Reach One-Piece Flexible Arm with Quick Disconnect Hexagonal Fitting (see dimensions below)

■ **REF. NO. 69045-QG10**

Standard One-piece Flexible Arm with Quick Disconnect Hexagonal Fitting and a 10mm Quick Grip Scope Holding Tip

■ **REF. NO. 69045-QG5**

Same as above but with a 5mm Quick Grip Scope Holding Tip

■ **REF. NO. 69045**

Standard One-piece Flexible Arm with Permanent Stainless Steel Tip

■ **REF. NO. 69045-D**

Standard One-piece Flexible Arm with Permanent Delrin Tip

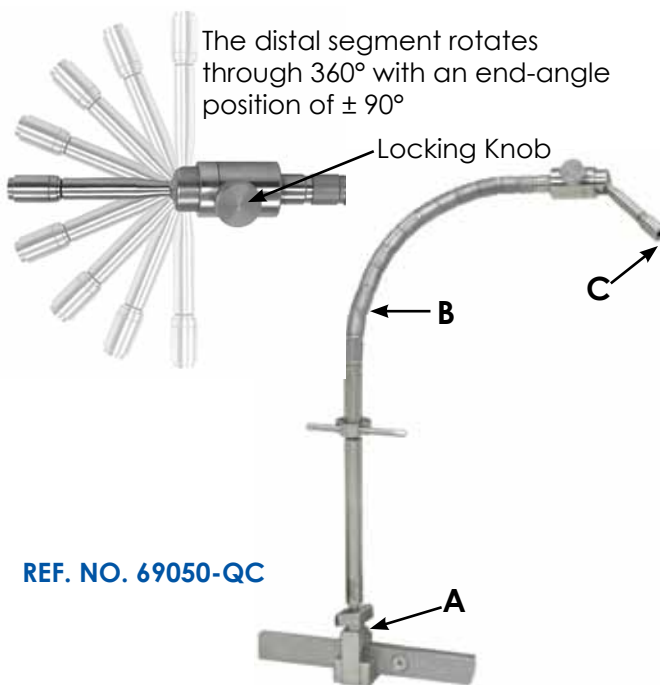


**Dimensions of Long Reach Arm:**

Post Height (A to B): 9.5" (24.1cm)  
 Flexible Reach (B to C): 21" (53.3cm)  
 Note: Tips will add about 3" (7.6cm) to total Arm length

## ONE-PIECE DESIGN WITH BUILT-IN RAIL CLAMP & DISTAL SWIVEL OPTION

### SIMPLICITY IN USE, WITH A TWIST



REF. NO. 69050-QC

The distal segment rotates through 360° with an end-angle position of ± 90°

Locking Knob

The Distal Swivel Option is an addition to FlexArm Holders and Positioners that allows fine adjustments in the tip position without loosening the entire arm.

◀ **REF. NO. 69050-QC**

Standard One-piece Flexible Arm with Distal Swivel Option and Quick Disconnect Hexagonal fitting

**Dimensions for Standard Arm with Distal Swivel Option:**

Post Height (A to B): 9.5" (24.1cm)  
 Horizontal Reach (B to C): 18" (45cm)  
 Note: Tips will add about 3" (7.6cm) to total Arm length

■ **REF. NO. 69050**

Standard one-piece Flexible Arm with Distal Swivel Option and Permanent Stainless Steel Tip

■ **REF. NO. 69050-D**

Standard one-piece Flexible Arm with Distal Swivel Option and Permanent Delrin Tip

## THE ORIGINAL UNIVERSAL SYSTEM WITH BUILT-IN RAIL CLAMP EXPANDED MODULARITY, GREATER REACH, MORE OPTIONS

### STANDARD LENGTH POSTS, SINGLE ARM

#### ► REF. NO. 69054-QC

Universal Single FlexArm with one Flexible Companion Arm equipped with a Quick Disconnect Hexagonal Fitting (1). The Swivel Post can be positioned and locked through 360° at the horizontal and all angles to  $\pm 90^\circ$ .

#### ■ REF. NO. 69054

Same as above but equipped with a permanently attached Stainless Steel Instrument Holding Tip. (2)

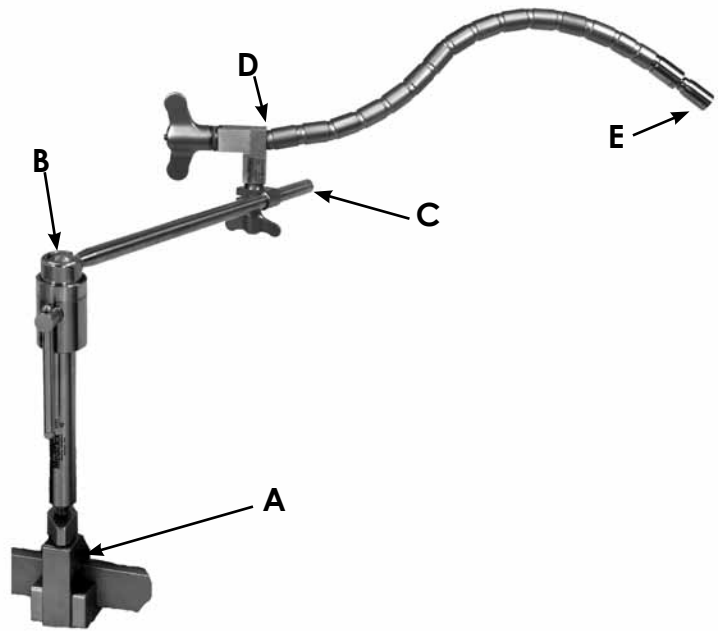
#### ■ REF. NO. 69054-D

Same as above but equipped with a permanently attached Delrin Laparoscope Holding Tip. (3)

#### Dimensions of 69054 Series:

Post Height (A to B):	8.5"	(21.6cm)
Horizontal Reach (B to C):	12.5"	(31.8cm)
Flexible Reach (D to E):	16.5"	(41.9cm)

Note: Tips will add about 3" (7.6cm) to total Arm length



### STANDARD LENGTH POSTS, TWIN ARMS

#### ► REF. NO. 69055-QC

Universal FlexArm with two Flexible Companion Arms, both equipped with a Quick Disconnect Hexagonal Fitting (1). The Swivel Post can be positioned and locked through 360° at the horizontal and all angles to  $\pm 90^\circ$ .

#### ■ REF. NO. 69055

Same as above but both arms equipped with permanently attached Stainless Steel Instrument Holding Tip (2).

#### ■ REF. NO. 69055-D

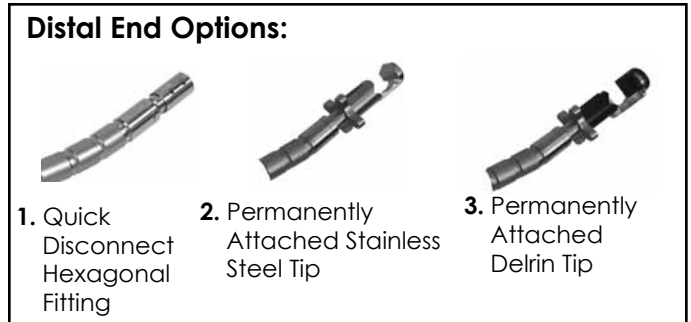
Same as above but both arms equipped with permanently attached Delrin Laparoscope Holding Tip (3).

#### ■ REF. NO. 69055-DS

Same as above but equipped with one permanently attached Stainless Steel Instrument Holding Tip (2) and one permanently attached Delrin Laparoscope Holding Tip (3).

#### Dimensions of 69055 Series:

Same as the dimensions of the 69054 Series shown above

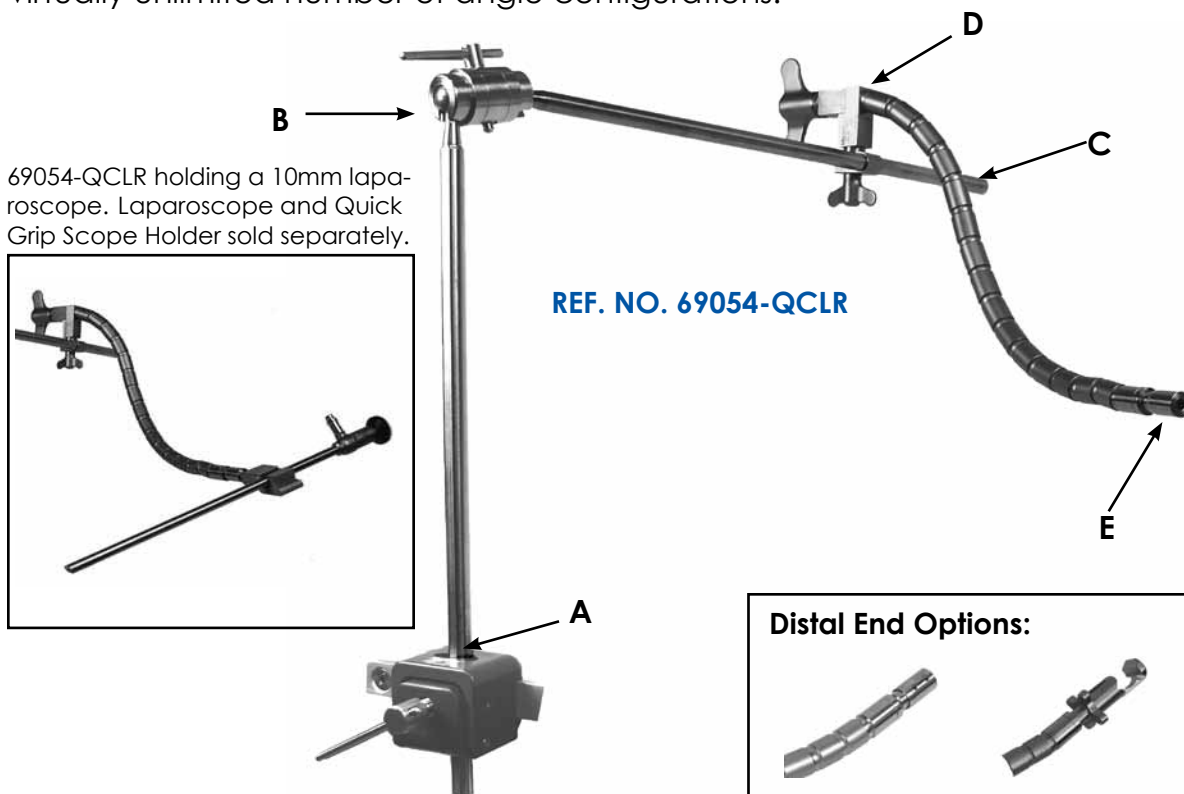


See pages 15 and 16 for available tips and retractors to fit all Mediflex Holders and Positioners equipped with the Quick Disconnect Feature. See page 8 for available Sterilizing Trays.



## THE LONG REACH UNIVERSAL SYSTEM EXPANDED MODULARITY, GREATEST REACH, EVEN MORE OPTIONS

All Long Reach, Height Adjustable Table Posts feature a Double Ball and Socket Joint each of which adjusts through 360°. This allows the upper post to be positioned in a virtually unlimited number of angle configurations.



### Distal End Options:



### LONG REACH POSTS, SINGLE ARMS

#### ■ REF. NO. 69054-QCLR

Height Adjustable Long Reach Universal FlexArm System with one Flexible Arm that is equipped with a Quick Disconnect Hexagonal Fitting.

This arm is most appropriate for holding a device such as a laparoscope. The Long Reach Series should be considered when patient size will vary greatly.

#### Standard Dimensions:

Adjustable Post Height (A to B)-Adjustable 2" (5.1cm) to 16" (40.6cm)

Horizontal Reach (B to C)- 19" (48.2cm)

Flexible Reach (D to E)- 16.5" (41.9cm)

Note: Tips will add about 3" (7.6cm) to total Arm length

#### ■ REF. NO. 69054-LR

Height Adjustable Long Reach Universal FlexArm System with one Flexible Arm that is equipped with a Permanently Attached Stainless Steel Tip.

#### ■ REF. NO. 69054-DLR

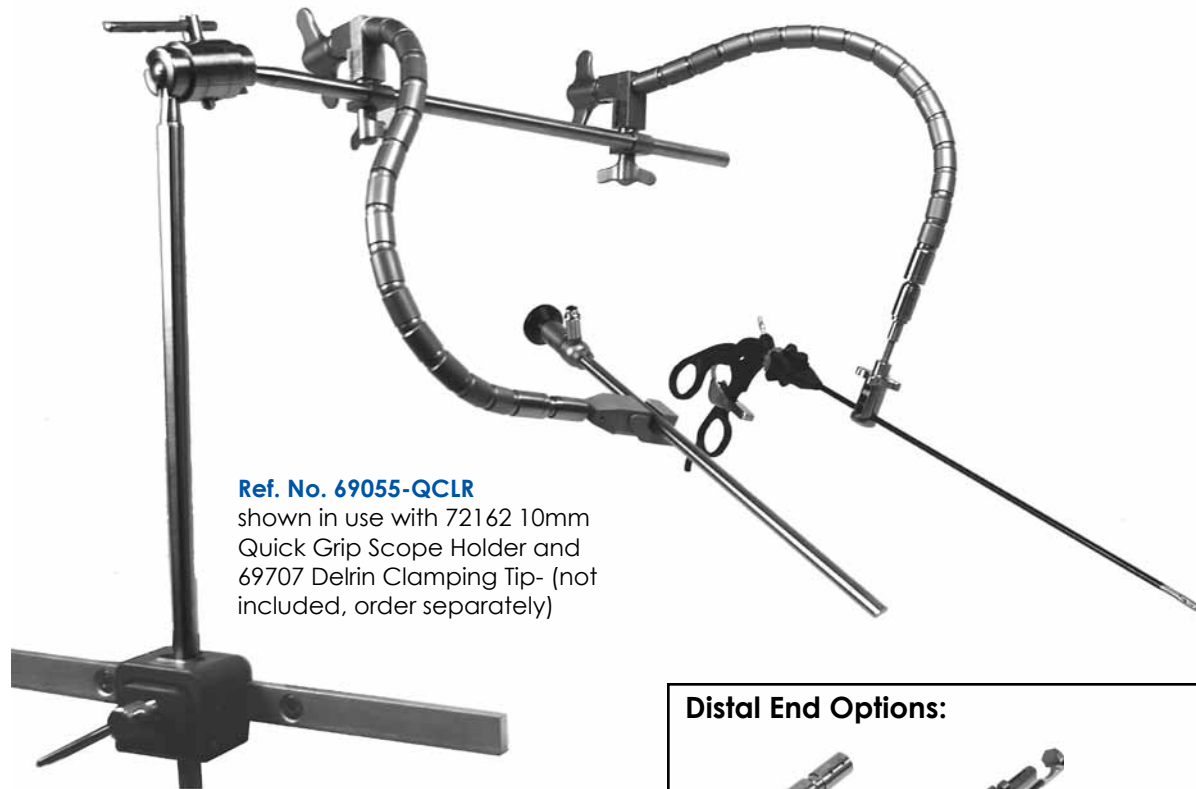
Height Adjustable Long Reach Universal FlexArm System with one Flexible Arm that is equipped with a Permanently Attached Delrin Tip.

See pages 15 and 16 for available tips and retractors to fit all Mediflex Holders and Positioners equipped with the Quick Disconnect Feature. See page 8 for available Sterilizing Trays.



## THE LONG REACH UNIVERSAL SYSTEM

### EXPANDED MODULARITY, GREATEST REACH, EVEN MORE OPTIONS



**Ref. No. 69055-QCLR**  
shown in use with 72162 10mm Quick Grip Scope Holder and 69707 Delrin Clamping Tip- (not included, order separately)

#### Distal End Options:



1. Quick Disconnect Hexagonal Fitting

2. Permanently Attached Stainless Steel Tip

3. Permanently Attached Delrin Tip

### LONG REACH POSTS, TWIN ARMS

#### ■ REF. NO. 69055-QCLR

Height adjustable, Long Reach Universal Twin FlexArm System with two Flexible Arms both of which are equipped with Quick Disconnect Hexagonal Fittings (1).

This system is most appropriate for holding two devices that are not repositioned often during surgery. The most common use is holding both a Laparoscope and the Fundus Grasper during Lap Chole Procedures. An example of that is shown in the photo above. The Long Reach Series should be considered when patient size will vary greatly.

**Standard Dimensions:** Same as those shown on page 5.

#### ■ REF. NO. 69055-LR

Height Adjustable Long Reach Universal Twin FlexArm System with two Flexible Arms. Both arms are equipped with permanently attached Stainless Steel tips (2).

#### ■ REF. NO. 69055-DLR

Height Adjustable Long Reach Universal Twin FlexArm System with two Flexible Arms. Both arms are equipped with permanently attached Delrin Tips (3).

#### ■ REF. NO. 69055-DSLR

Height Adjustable Long Reach Universal Twin FlexArm System with two Flexible Arms; one with a Stainless Steel tip (2) and the other with a Delrin tip (3).

See pages 15 and 16 for available tips and retractors to fit all Mediflex Holders and Positioners equipped with the Quick Disconnect Feature. See page 8 for available Sterilizing Trays.





## UNIVERSAL FLEXARM SYSTEM COMPONENTS

### EXPAND - REPLACE - UPGRADE

#### COMPANION ARMS FOR UNIVERSAL FLEXARM SYSTEMS

▶ **REF. NO. 69056-QC**

Companion FlexArm Holding and Positioning Device with Quick Disconnect Distal Tip. Fits ½" (1.27cm) diameter round bars such as the upper posts on Mediflex Universal Systems.



69056-QC

▶ **REF. NO. 69056**

Companion FlexArm with a permanently attached Stainless Steel Instrument and Retractor Holding Tip.



69056

▶ **REF. NO. 69056-D**

Companion FlexArm with a permanently attached Delrin Plastic Laparoscope and Instrument Holding Tip.



▶ **REF. NO. 69056-QC-BS01**

Companion FlexArm with Distal Swivel Option\* with a Quick Disconnect Distal Tip.



69056-QC-BS01

■ **REF. NO. 69056-BSS**

Companion FlexArm with Distal Swivel Option\* with a Permanently attached Stainless Steel Tip.

■ **REF. NO. 69056-BSD**

Companion FlexArm with Distal Swivel Option\* with a Permanently attached Delrin Tip.

\* See page 3 for information on the Distal Swivel Option.

▶ **REF. NO. 69303-AQC**

Companion FlexArm Holding and Positioning Device with Quick Disconnect Distal Tip. Fits ½" (1.27cm) to 5/8" (1.59cm) diameter round bars such as the lower posts on Mediflex Universal Systems, StrongArm Holding and Positioning Devices and Lap Rack Products.



69303-AQC

■ **REF. NO. 69303-AS**

Same as above but with a permanently attached Stainless Steel Instrument and Retractor Holding Tip.

■ **REF. NO. 69303-AD**

Same as above but with a permanently attached Delrin Plastic Laparoscope and Instrument Holding Tip.

See pages 15 and 16 for available tips and retractors to fit all Mediflex Holders and Positioners equipped with the Quick Disconnect Feature. See page 8 for available Sterilizing Trays.



## UNIVERSAL SYSTEM COMPONENTS POSTS AND RAIL CLAMPS FOR UNIVERSAL FLEXARM SYSTEMS



### ▲ REF. NO. 69098

Long Reach Swivel Bar Mount Post for Universal Systems. Upper Post rotates 360° horizontally and vertically and is ½" (1.27cm) diameter x 16.5" (41.9cm) long. Lower Post is ⅝" (1.59cm) in diameter x 17.5" (44.5cm) long.

### REF. NO. 69053 ▲

Swivel Bar Mount Post for Universal Systems. Upper Post is ½" (1.27cm) diameter x 11.75" (29.8cm) long and rotates 360°. It can be angled at any point ±90° from vertical. The Lower Post is ⅝" (1.59cm) in diameter x 5" (12.7cm) long.



### ◀ REF. NO. 69099

Heavy Duty Rail Clamp for ⅝" (1.59cm) Diameter Posts. Fits all standard OR Table Rails.



### ◀ REF. NO. 72225

Rail Clamp Adapter. Allows all Mediflex Rail Clamps to fit oversized table rails such as a Jackson Table.



### ◀ REF. NO. 72224

Rail Extender. Extends the clamping position for Mediflex Rail Clamps about 3" (7.6cm) further from the patient.



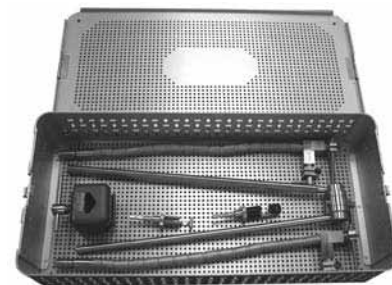
### ◀ REF. NO. 91187

Clark Socket. Allows all ⅝" (1.59cm) Diameter Posts to be mounted at an angle of ±90° to the vertical.

## MEDIFLEX WRAPABLE STERILIZING TRAYS FOR ALL FLEXARM™ AND STRONGARM™ SURGICAL HOLDERS AND POSITIONERS

- Perforated Aluminum Sterilization Trays for sterilization and storage of Mediflex Products. All cases have detachable tray cover, standard latches and wire form carrying handles.
- Three sizes of trays designed to provide the right tray for any FlexArm or StrongArm System.

Made in U.S.A.



This tray is REF. NO. 69760. It is shown with the 69055-QCLR which is available separately.



### ■ REF. NO. 69760

Standard Mediflex Tray for Arms,  
22.7" x 10.6" x 4.7"  
(57.6 x 26.9 x 11.9cm)



### ■ REF. NO. 69761

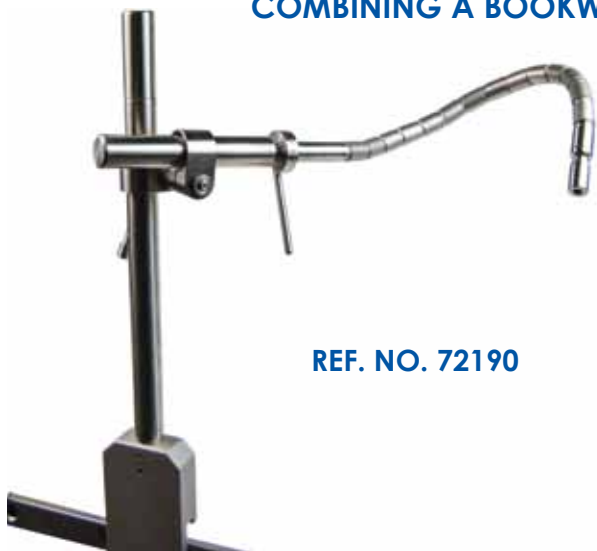
Ex-Large Mediflex Tray for Arms,  
26.7" x 11" x 6" (67.8 x 27.9 x 15cm)  
This tray is required for standard  
(Front Mount) StrongArms, Longer  
Field Posts and Nathanson Systems



### ■ REF. NO. 69762

Ex-Long Mediflex Tray for Arms,  
31" x 11" x 6" (78.7 x 27.9 x 15cm)  
This tray is required for Top Mount  
StrongArms and Nathanson  
Systems

## THE BOOKLER® ENDOSCOPIC FLEXARM™ HOLDER AND POSITIONER COMBINING A BOOKWALTER-STYLED FIELD POST WITH A MEDIFLEX ARM DEVICE



REF. NO. 72190

Two products that were developed at Mediflex combine to provide an extremely versatile laparoscope and instrument holding device. The Bookler Endoscopic Holder features a 1" handle which fits Bookler and Bookwalter-style 1" x 1" Post Couplers. This allows the arm to be attached to any 1" Diameter Field Post. Mediflex offers a variety of post heights accommodating all procedures, even bariatric.

All of the systems shown below feature the Bookler Arm with a Quick Disconnect Tip. Arms with permanently attached Stainless Steel or Delrin tips are also available.

### INDIVIDUAL COMPONENTS FOR THE BOOKLER SYSTEM - AVAILABLE IN 3 VERSIONS:

#### Bookler FlexArms



Ref. No. 72051

- REF. NO. 72029 Bookler FlexArm with Fixed Delrin Tip
- ◀ REF. NO. 72051 Bookler FlexArm with Fixed Stainless Steel Tip
- REF. NO. 72103 Bookler FlexArm with Quick Disconnect Hex Fitting for use with interchangeable tips and hooks

#### Bookler Field Posts



- REF. NO. 72011 Standard 12" (30cm)
- REF. NO. 72009 Long 18" (45cm)
- REF. NO. 72010 Extra Long 24" (60cm)

#### Bookler Post Coupling

- ▶ REF. NO. 72013 Post Coupler, 1" x 1" (2.5 x 2.5cm)



#### Vertical Extension Bar Kit



- ▲ REF. NO. 72193 1 ea. 72014 12" Vertical Extension Bar  
1 ea. 72013 Bookler Post Coupler

### COMPLETE BOOKLER® ENDOSCOPIC FLEXARM SYSTEMS- AVAILABLE WITH QUICK DISCONNECT, FIXED SS OR DELRIN TIP DISTAL END AND EITHER 12" OR 18" FIELD POSTS:

#### ■ REF. NO. 72190

Bookler Endoscopic Holder and Positioner Set- 12" Post Contains:

Qty.	Ref. No.	Description/Size
1 ea.	72011	Bookler Field Post, 12"
1 ea.	72013	Bookler Post Coupler
1 ea.	72103	Bookler FlexArm

#### ■ REF. NO. 72105

Same as above but with 1 each 72051, Bookler FlexArm with Fixed Stainless Steel Tip

#### ■ REF. NO. 72106

Same as above but with 1 each 72029, Bookler FlexArm with Fixed Delrin Tip

#### ■ REF. NO. 72191

Bookler Endoscopic Holder and Positioner Set- 18" Post Contains:

Qty.	Ref. No.	Description/Size
1 ea.	72009	Bookler Field Post, 18"
1 ea.	72013	Bookler Post Coupler
1 ea.	72103	Bookler FlexArm

#### ■ REF. NO. 72095

Same as above but with 1 each 72051, Bookler FlexArm with Fixed Stainless Steel Tip

#### ■ REF. NO. 72096

Same as above but with 1 each 72029, Bookler FlexArm with Fixed Delrin Tip



72190 shown with optional 12" Vertical Extension Bar and Coupler Kit Ref. No. 72193 (order separately). (Shown Above)

## MEDIFLEX® STRONGARM™ SURGICAL HOLDING AND POSITIONING DEVICES

### THE ULTIMATE IN ADJUSTABLE RIGIDITY

Both Bariatric and GERD procedures necessitate keeping the liver elevated for virtually the entire procedure. Many methods were tried with varying degrees of success. But in late 2007 Mediflex coupled a new type of Liver Retractor with a newly designed Rigid Arm System. Introduced as the Nathanson StrongArm Liver Retraction System it took the laparoscopic community by storm. Finally, surgeons could easily lift and hold the liver out of the way without the retractor sagging or a human retractor-holder fatiguing.

Now used for many tasks in both Laparoscopic and open surgical procedures, the StrongArm Holder and Positioner has proven to be the latest best-seller from the World Leader in Surgical Holding and Positioning Arms....Mediflex.

### FEATURES AND ADVANTAGES OF THE STRONGARM HOLDER AND POSITIONER

#### HOLDS VIRTUALLY ANY INSTRUMENT, RETRACTOR OR SCOPE

Can reduce or eliminate hand-held retraction in laparoscopy. Minimizes hand-held scope manipulation.

**THE QUICK-DISCONNECT FEATURE** accommodates a range of available liver retractors, instrument holders and endoscope holders.

#### ATTACHES TO OR TABLE RAIL IN A TRADITIONAL MANNER

Utilizes a heavy-duty OR Rail Clamp that permits height adjustability.

#### AVAILABLE IN A VARIETY OF CONFIGURATIONS

- Single Arm Systems available to hold scope or instrument.
- Top-Mounted version provide greater height and reach for larger patients.
- Front-Mounted versions for most standard procedures.
- Twin Arm Systems can hold scope and instrument

#### EASILY CONFORMS TO ALMOST ANY POSITION

Completely versatile in placement capability.

#### MULTI-DIRECTIONAL ARMS LOCK TIGHT WITH A SINGLE KNOB

#### MADE IN U.S.A. FROM 100% SURGICAL GRADE STAINLESS STEEL

The tightening knob locks all 3 joints of the StrongArm Device.



Front-Mounted Strong-Arm System Ref. No. 73000 is shown holding a Nathanson Liver Retractor (available separately.)



◀ **REF. NO. 73000-TM**  
Top-Mounted StrongArm System

## MEDIFLEX® STRONGARM™ SURGICAL HOLDING AND POSITIONING DEVICES

All Mediflex Holders and Positioners include a Quick Disconnect Distal End (shown right.) This feature allows any Mediflex Tip equipped with a Hexagonal End Fitting to attach to any arm. Tips are designed to hold Laparoscopes, other types of rigid endoscopes, instruments and retractors. They will hold devices with diameters ranging from 1.5mm to 15mm. The selection of tips available is found on page 15.

In addition to the tips found on page 15, Mediflex offers the largest selection of Nathanson Hooks available from any manufacturer. The Hooks also feature the Hexagonal End Fitting allowing them to be held by any Mediflex StrongArm Device. By holding the Hook in this manner, the axial slippage common with other types of holding systems is eliminated. Nathanson Hooks and Systems are shown on pages 16-18.



### Available “HEX” Fitting Attachments for Use with StrongArms:

- I. **Mediflex Nathanson Hooks-** complete range of sizes and diameters - see page 16.



- II. **Scope and Instrument Holding Tips-** see page 15.

**Stainless Steel Tip**



69706

**Delrin Tip**



69707

**Quick-Grip Scope Holding Attachments- 2 Models available for 5 & 10 mm scopes**



72162 (10mm)



72163 (5mm)

- III. **Mediflex Bookler Ratchet Blade Holding Accessories-** see page 15.



▲ **REF. NO. 69708**  
Bookler Ratchet Bar Tip



▲ **REF. NO. 69708-MB**  
Mini-Bookler Ratchet Bar Tip



**Above:** The Twin Arm StrongArm system illustrates the use of the Quick Disconnect System to hold both a laparoscope and a Nathanson Hook. Using a system like this often frees up a surgical tech and allows better utilization of human resources. See page 13 for twin arm systems.

**Shown Right:** The Twin Arm StrongArm system in use with Ref. No. 69708 Ratchet Bar accessories shown in use with Bookler Retractor Blades.



## SINGLE ARM SERIES

### SIMPLICITY AND RIGIDITY IN USE



#### ■ REF. NO. 73000

Front-Mounted Single Arm StrongArm Device with Quick Disconnect Tip and Heavy Duty, Height Adjustable Rail Clamp.

This arm is "Front-Mounted" with 360° rotation in the Vertical Plane.

#### Standard Dimensions:

Height Adjustable Post: 15" (38.1cm), 3.5-11.5" (8.9cm-29.2cm) Range

Mid Segment: 10.5" (26.6cm)

End Segment: 13" (33cm)

Note: Tips can add about 3" (7.6cm) to the end segment length

#### ■ REF. NO. 73000-LP

Same system as above (73000) but with Extended Height Adjustable Post: 22.5" (57.1cm), 3.5-19" (8.9cm - 48.2cm) Range

#### ■ REF. NO. 73001

Arm only, no Rail Clamp.

#### ■ REF. NO. 73001-LP

Arm only, no Rail Clamp.



#### ■ REF. NO. 73000-TM

A Top-Mounted StrongArm Holder and Positioner. The Top-Mount Allows 360° rotation in the Horizontal Plane. Complete with Quick Disconnect Tip and Heavy Duty, Height Adjustable Rail Clamp.

#### Standard Dimensions:

Height Adjustable Post: 22.5" (57.1cm), 3.5-19" (8.9cm-48.2cm) Range

Mid Segment: 10.5" (26.6cm)

End Segment: 13" (33cm)

Note: Tips can add about 3" (7.6cm) to the end segment length

#### ■ REF. NO. 73001-TM

Arm only, no Rail Clamp.



#### ■ REF. NO. 73000-SA

Front-Mounted Short Distal Arm StrongArm Device with Quick Disconnect Tip and Heavy Duty, Height Adjustable Rail Clamp. The shorter Distal Segment is useful in Pediatrics where an extended reach is not needed.

This arm is "Front-Mounted" with 360° rotation in the Vertical Plane.

#### Standard Dimensions:

Height Adjustable Post: 15" (38.1cm) 3.5-11.5" (8.9cm-29.2cm)

Mid Segment: 10.5" (26.6cm)

End Segment: 8" (20.3cm)

Note: Tips can add about 3" (7.6cm) to the end segment length

#### ■ REF. NO. 73001-SA

Arm only, no Rail Clamp.

See pages 15 and 16 for available tips and retractors to fit all Mediflex Holders and Positioners equipped with the Quick Disconnect Feature. See page 8 for available Sterilizing Trays.



## SINGLE ARM SERIES SIMPLICITY AND RIGIDITY IN USE

**NEW**



### ◀ REF. NO. 73002

StrongArm Curved Post System with Short Distal Arm with Quick Disconnect Tip and Heavy Duty, Height Adjustable Rail Clamp.

This arm is "Top-Mounted" with 360° rotation in the Horizontal Plane.

#### Standard Dimensions:

Curved Height Adjustable Post (Vertical Portion):  
15" (38.1cm), 3.5-11.5"  
(8.9cm-29.2cm) Range

Curved Post (Horizontal Portion): 5" (12.7cm)

Mid Segment: 10.5" (26.6cm)

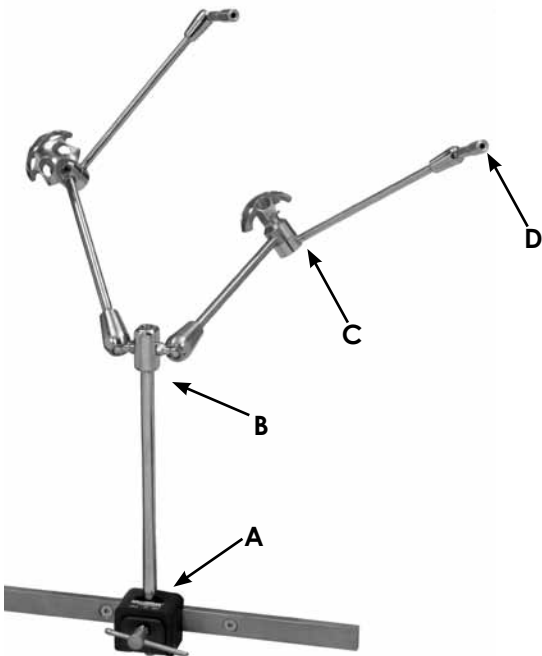
End Segment: 8" (20.3cm)

Note: Tips can add about 3" (7.6cm) to the end segment length

### ■ REF. NO. 73002-NC

Arm only, no Rail Clamp.

## TWIN ARM SERIES ONE DEVICE - TWO FUNCTIONS



### ■ REF. NO. 73010

Twin Arm StrongArm Holder and Positioner with Quick Disconnect feature on both arms and complete with a Heavy Duty Rail Clamp.

### ■ REF. NO. 73012

Twin Arm StrongArm Holder and Positioner with Quick Disconnect feature on both arms. (No Rail Clamp).



Ref. No. 73040 does not include Nathanson Hook or Laparoscope. (Order separately)

### ■ REF. NO. 73040

StrongArm-FlexArm Combo with Quick Disconnect features both arms and complete with a Heavy Duty Rail Clamp.

#### Dimensions for Twin Arm Units (73010 and 73012):

Post Height (A to B) Adjustable from: 3.5-11.5" (8.9cm-29.2cm)

Mid Segment (Both Arms, B to C): 10.5" (26.6cm)

End Segments (Both Arms, C to D): 13" (33cm)

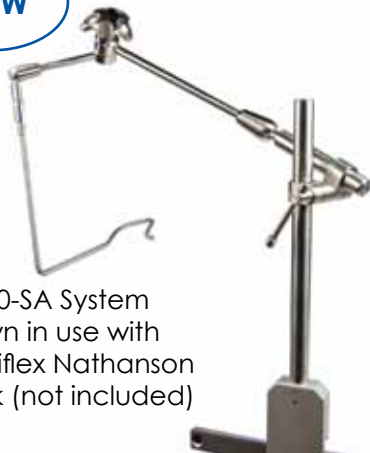
Note: Tips added to the Quick Disconnect Fitting add about 3" (7.6cm) to the End Segment Length

#### Dimensions for Combo System:

Same as above except for FlexArm dimensions (See page 4)

## THE BOOKLER® STRONGARM™ HOLDER AND POSITIONER COMBINING A BOOKWALTER-STYLED FIELD POST WITH A MEDIFLEX STRONGARM DEVICE

**NEW**



72190-SA System shown in use with Mediflex Nathanson Hook (not included)

The world-wide acceptance of the Bookler FlexArm Surgical Holder and Positioner (shown on page 9) has led to the introduction of the Bookler StrongArm Device. This version features a StrongArm Holder and Positioner with a 1" diameter horizontal bar which fits Bookler and Bookwalter-style 1" x 1" Post Couplers. This allows the arm to be attached to any 1" Diameter Field Post. Mediflex offers a variety of Post Heights. This allows use of the system, even in Bariatric Laparoscopic Procedures.

### INDIVIDUAL COMPONENTS FOR THE BOOKLER® STRONGARM™ SYSTEM:

**Dimensions:**

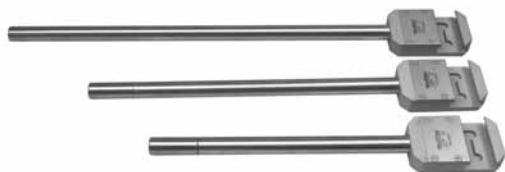
- Overall Length: 25.5" (64.8 cm)
- Horizontal Bar: 6" (15.2cm)
- Mid Segment: 10.5" (26.6cm)
- End Segment: 8" (20.3cm)
- Note: Tips can add about 3" (7.6cm) to the end segment length



■ **REF. NO. 73002-SA**

Bookler StrongArm Horizontal Bar with Quick Disconnect Hex Fitting for use with interchangeable tips and hooks.

**Bookler Field Posts**



- **REF. NO. 72011** Standard 12" (30cm)
- **REF. NO. 72009** Long 18" (45cm)
- **REF. NO. 72010** Extra Long 24" (60cm)

**Bookler Post Coupling**

- ▶ **REF. NO. 72013**  
Post Coupler, 1" x 1" (2.5 x 2.5cm)



### COMPLETE BOOKLER® STRONGARM™ TABLE MOUNTED SYSTEM:

The systems below all include the Bookler StrongArm with either a 12" (30cm) or a 18" (45cm) Field Post.

■ **REF. NO. 72190-SA**

Bookler StrongArm Holder and Positioner set, 12" (30cm) Post.

Set Contains:

Qty.	Ref. No.	Description/Size
1 ea.	72011	Bookler Field Post, 12"
1 ea.	72013	Bookler Post Coupler
1 ea.	73002-SA	Bookler StrongArm w/ Quick Disconnect Tip

■ **REF. NO. 72191-SA**

Bookler StrongArm Holder and Positioner set, 18" (45cm) Post.

Set Contains:

Qty.	Ref. No.	Description/Size
1 ea.	72009	Bookler Field Post, 18"
1 ea.	72013	Bookler Post Coupler
1 ea.	73002-SA	Bookler StrongArm w/ Quick Disconnect Tip





For use with all Quick Disconnect Arms



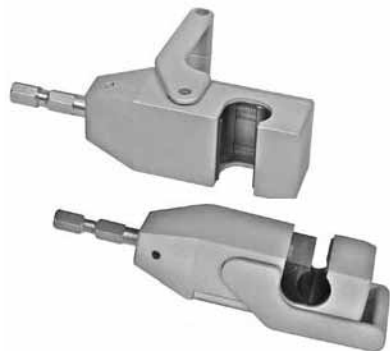
**UNLOCKED**

**LOCKED**

**LOCKED WITH TIP INSERT**



The 10mm Quick Grip Scope Holder attached to #69045-QC and holding a Laparoscope. (Arm and scope sold separately)



■ **REF. NO. 72162**  
10mm Quick Grip Scope Holder



■ **REF. NO. 72163**  
5mm Quick Grip Scope Holder

## QUICK DISCONNECT ACCESSORIES

### SCOPE AND INSTRUMENT HOLDERS

#### QUICK-GRIP SCOPE HOLDERS

Safely and quickly secures 5mm and 10mm endoscopes. Atraumatic Ultem Jaws will not damage scopes. Can also be used to hold laparoscopic instruments.

### ADJUSTABLE INSTRUMENT CLAMPING TIPS

These tips are adjustable and can hold instruments and endoscopes having diameters ranging from 1.5mm to 15mm



The Delrin Adjustable Scope Holder attached to #69702 and holding a Laparoscope. (Arm and scope sold separately)



■ **REF. NO. 69706**  
Stainless Steel Tip for Instruments and Retractors, from 3.5mm to 15mm.



■ **REF. NO. 69707**  
Delrin Tip for Rigid Endoscopes, from 1.5mm to 15mm.

### BOOKLER® RATCHET BAR ATTACHMENTS

Ideal for use in Open Surgery or in Laparoscopic procedures that convert this device allowing any Bookler or Bookwalter-style ratchet bar retractor blade to be held in Mediflex Arms.

■ **REF. NO. 69708**  
Bookler Ratchet Bar Attachment



◀ Two Bookler Ratchet Bar Attachments inserted in #73010, holding Bookler retractor blades. (Arm and blades sold separately)

A list of available Bookler and Mini-Bookler Retractor Blades can be seen in the Mediflex Table Mounted Retractor Catalog RET-BK0713

### MINI-BOOKLER® RATCHET BAR ATTACHMENTS

For use with all Mediflex Mini-Bookler system retractor blades.

■ **REF. NO. 69708-MB**  
Bookler Ratchet Bar Attachment



(Note: Retractor Blade and StrongArm Device sold separately)

## NATHANSON HOOKS

### THE FIRST LAPAROSCOPIC LIVER RETRACTOR THAT SUPPORTS THE ENTIRE LIVER

Nathanson Hooks have proven to be ideal for Laparoscopic Liver Retraction. The 5mm Hooks are generally used in GERD procedures while the 6.5mm Hooks are ideal for Bariatric Procedures. The Extra Long (-XL) tips available on the Medium and Large 6.5mm Hooks may facilitate entry in larger patients\*. Now available in special 3mm diameter size - see below.

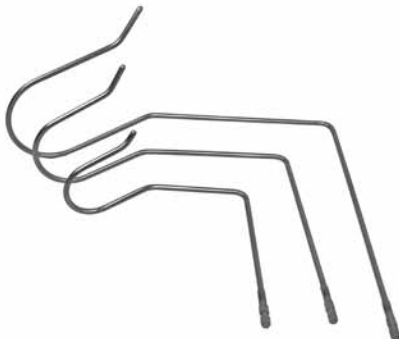
\* XL tips are 3/4" (1.9cm) longer than standard tips.

#### SETS OF HOOKS

##### ■ REF. NO. 69709

5mm Hook Set Contains 1 each of:

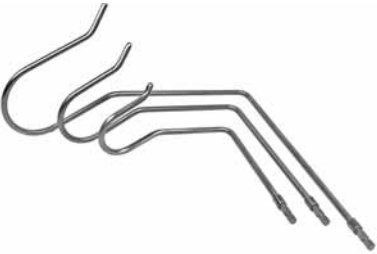
Ref. No. 69703	Small
Ref. No. 69704	Medium
Ref. No. 69705	Large



##### ■ REF. NO. 69710

6.5mm Hook Set Contains 1 each of:

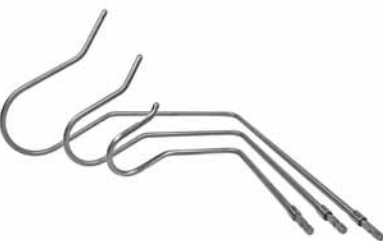
Ref. No. 69735	Small
Ref. No. 69736	Medium
Ref. No. 69737	Large



##### ■ REF. NO. 69710-XL

6.5mm Hook Set Contains 1 each of:

Ref. No. 69735	Small
Ref. No. 69736-XL	Medium, X-Long
Ref. No. 69737-XL	Large, X-Long



#### INDIVIDUAL HOOKS

##### STANDARD, 5mm DIAMETER

■ REF. NO. 69738	Extra Small
■ REF. NO. 69703	Small
■ REF. NO. 69704	Medium
■ REF. NO. 69705	Large

##### HEAVY, 6.5mm DIAMETER

■ REF. NO. 69735	Small
■ REF. NO. 69736	Medium
■ REF. NO. 69737	Large

##### HEAVY, 6.5mm DIAMETER WITH LONGER TIP

■ REF. NO. 69736-XL	Medium
■ REF. NO. 69737-XL	Large

##### HEAVY, 6.3mm DIAMETER

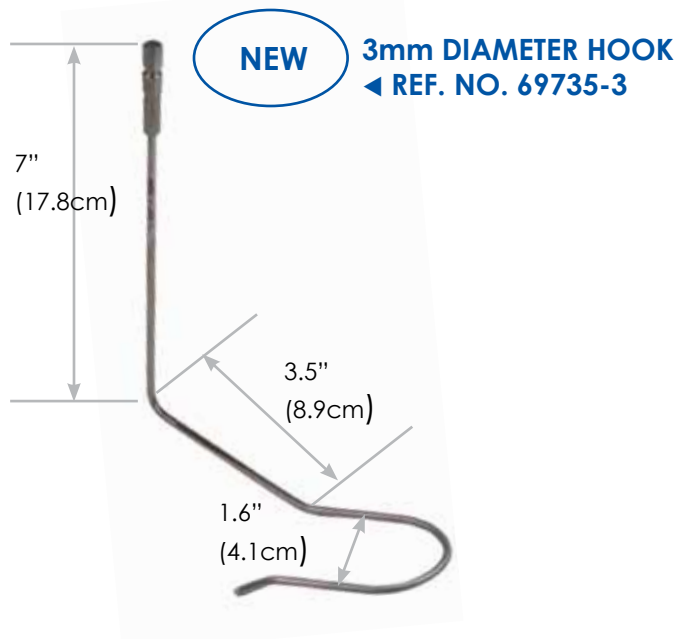
(similar shape as Cook® Medical Hook\*)

■ REF. NO. 69736-C	Medium
--------------------	--------

\*- Cook is a trademark of Cook Medical Inc.



Shown here is the Small, 6.5mm diameter Nathanson Hook



## NATHANSON STRONGARM™ SYSTEMS

### COMPLETE LAPAROSCOPIC SETS AVAILABLE WITH EITHER A FRONT-MOUNT OR A TOP-MOUNT VERSION MEDIFLEX STRONGARM



Nathanson StrongArm Systems all contain an Arm, 3 hooks and 2 scope/instrument tips. Shown here is Ref. No. 73020-NLR

■ **REF. NO. 73020-XL (Front Mount)**  
6.5mm XL System contains:

Qty.	Ref. No.	Description
1 ea	73001	Single Arm StrongArm
1 ea	69099	Heavy Duty Rail Clamp
1 ea	69735	Small 6.5mm Nathanson Hook
1 ea	69736-XL	Medium 6.5mm Nathanson Hook XL
1 ea	69737-XL	Large 6.5mm Nathanson Hook XL
1 ea	69706	Stainless Steel Instrument Holder
1 ea	69707	Delrin Rigid Endoscope Holder

■ **REF. NO. 73025-XL (Top Mount)**  
Same as above system 73020-XL but with 1 each 73001-TM

Each of the Systems below features either a Ref. No. 73001 (Front-Mount) or a Ref. No. 73001-TM (Top Mount) Single Arm StrongArm Holder and Positioner along with 3 Nathanson Hooks and 2 Instrument Tips. The Hooks and Tips each feature The Mediflex Hexagonal Fitting that allows them to be easily attached to and removed from any Mediflex Surgical Holder and Positioner that has the Quick Disconnect Feature. The Top-Mount Systems are best for larger patients and Bariatric Procedures requiring higher reach.

■ **REF. NO. 73000-NLR (Front-Mount)**  
5mm System Contains:

Qty.	Ref. No.	Description
1 ea	73001	Single Arm StrongArm
1 ea	69099	Heavy Duty Rail Clamp
1 ea	69703	Small 5mm Nathanson Hook
1 ea	69704	Medium 5mm Nathanson Hook
1 ea	69705	Large 5mm Nathanson Hook
1 ea	69706	Stainless Steel Instrument Holder
1 ea	69707	Delrin Scope Holder

■ **REF. NO. 73005-NLR (Top-Mount)**  
Same as above system 73000-NLR but with 1 each 73001-TM

■ **REF. NO. 73020-NLR (Front-Mount)**  
6.5mm System contains:

Qty.	Ref. No.	Description
1 ea	73001	Single Arm StrongArm
1 ea	69099	Heavy Duty Rail Clamp
1 ea	69735	Small 6.5mm Nathanson Hook
1 ea	69736	Medium 6.5mm Nathanson Hook
1 ea	69737	Large 6.5mm Nathanson Hook
1 ea	69706	Stainless Steel Instrument Holder
1 ea	69707	Delrin Scope Holder

■ **REF. NO. 73025-NLR (Top-Mount)**  
Same as above system 73020-NLR but with 1 each 73001-TM

### MEDIFLEX WRAPABLE STERILIZING TRAYS FOR STRONGARM/NATHANSON SYSTEMS

Perforated Aluminum Sterilization Trays for sterilization and storage. All cases have detachable tray covers, standard latches and wire form carrying handles.



■ **REF. NO. 69761**  
Ex-Large Mediflex Tray, 26.7" x 11" x 6" (67.8 x 27.9 x 15cm) This tray is required for Front Mount StrongArms and FlexArm Nathanson Systems



■ **REF. NO. 69762**  
Ex-Long Mediflex Tray, 31" x 11" x 6" (78.7 x 27.9 x 15cm) This tray is required for Top Mount StrongArms and Nathanson Systems

## NATHANSON STRONGARM™ SYSTEMS

Each of the Systems below features a Bookler StrongArm™ System Holder and Positioner along with 3 Nathanson Hooks and 2 Instruments Tips. The Hooks and Tips each feature the Mediflex Hexagonal Fitting that allows them to be easily attached to and removed from any Mediflex Surgical Holder and Positioner that has the Quick Disconnect Feature. These Systems are suitable for standard and Bariatric Procedures.

### COMPLETE SYSTEMS:

#### ■ REF. NO. 73035-XL

6.5mm XL System Contains:

Qty.	Ref. No.	Description/Size
1 ea.	72011	Bookler Field Post, 12" (30cm)
1 ea.	72013	Bookler Post Coupler
1 ea.	73002-SA	Bookler StrongArm w/ Quick Disconnect Tip
1 ea.	69735	Small 6.5mm Nathanson Hook
1 ea.	69736-XL	Medium 6.5mm Nathanson Hook XL
1 ea.	69737-XL	Large 6.5mm Nathanson Hook XL
1 ea.	69706	Stainless Steel Instrument Holder
1 ea.	69707	Delrin Rigid Endoscope Holder

#### ■ REF. NO. 73036-XL

Same as above system 73035-XL but with 1 each 72009, 18" (45cm) Field Post



#### ■ REF. NO. 73035-NLR

6.5mm System Contains:

Qty.	Ref. No.	Description/Size
1 ea.	72011	Bookler Field Post, 12" (30cm)
1 ea.	72013	Bookler Post Coupler
1 ea.	73002-SA	Bookler StrongArm w/ Quick Disconnect Tip
1 ea.	69735	Small 6.5mm Nathanson Hook
1 ea.	69736	Medium 6.5mm Nathanson Hook
1 ea.	69737	Large 6.5mm Nathanson Hook
1 ea.	69706	Stainless Steel Instrument Holder
1 ea.	69707	Delrin Rigid Endoscope Holder

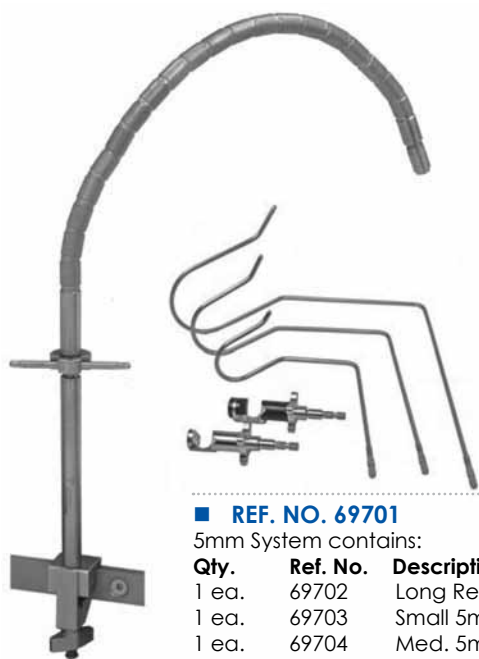
#### ■ REF. NO. 73036-NLR

Same as above system 73035-NLR but with 1 each 72009, 18" (45cm) Field Post

## NATHANSON FLEXARM™ SYSTEMS

The Systems below features Ref. No. 69702 Long Reach FlexArm Holder and Positioner (see page 3) along with 3 Nathanson Hooks and 2 Instrument Tips. The Hooks and Tips each feature The Mediflex Hexagonal Fitting that allows them to be easily attached to and removed from any Mediflex Surgical Holder and Positioner that has the Quick Disconnect Feature. These Systems are suggested for G.E.R.D. Procedures such as Nissen Fundoplication.

Nathanson-FlexArm Systems all contain an Arm, 3 hooks and 2 scope/instrument tips. Shown left is Ref. No. 69701.



#### ■ REF. NO. 69701

5mm System contains:

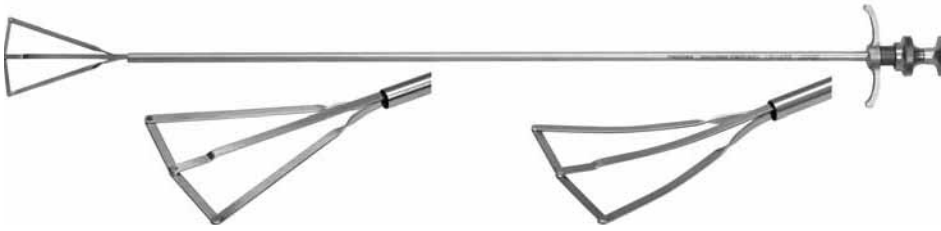
Qty.	Ref. No.	Description/Size
1 ea.	69702	Long Reach FlexArm
1 ea.	69703	Small 5mm Nathanson Hook
1 ea.	69704	Med. 5mm Nathanson Hook
1 ea.	69705	Large 5mm Nathanson Hook
1 ea.	69706	SS Instrument Holder
1 ea.	69707	Delrin Scope Holder

#### ■ REF. NO. 69720

6.5mm System contains:

Qty.	Ref. No.	Description/Size
1 ea.	69702	Long Reach FlexArm
1 ea.	69735	Small 6.5mm Nathanson Hook
1 ea.	69736	Med. 6.5mm Nathanson Hook
1 ea.	69737	Large 6.5mm Nathanson Hook
1 ea.	69706	SS Instrument Holder
1 ea.	69707	Delrin Scope Holder

## KITE STYLE FAN RETRACTORS



■ **REF. NO. 91670**  
5mm x 33cm Straight Kite Retractor

■ **REF. NO. 91675**  
5mm x 33cm Curved Kite Retractor

## ARTICULATING FAN RETRACTORS WITH FLUSH PORT

■ **REF. NO. 91671**  
5mm Articulating Fan Retractor,  
3 blades with Flush Port.



■ **REF. NO. 91672**  
10mm Articulating Fan Retractor,  
5 blades with Flush Port.



## ARTICULATING ESOPHAGEAL DISSECTOR/RETRACTOR WITH FLUSH PORT

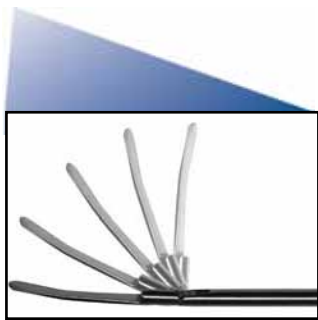


■ **REF. NO. 91667**  
5mm x 33cm Articulating Esophageal Dissector and Retractor

■ **REF. NO. 91667-45**  
5mm x 45mm Articulating Esophageal Dissector and Retractor

■ **REF. NO. 91668**  
10mm x 33mm Articulating Esophageal Dissector and Retractor

■ **REF. NO. 91668-45**  
10mm x 45mm Articulating Esophageal Dissector and Retractor



## REUSABLE "S" RETRACTORS FOR HASSON OPEN LAPAROSCOPY



■ **REF. NO. 69080**  
"S" Retractors 1/4" Wide (Sold as Pair)

■ **REF. NO. 69081**  
"S" Retractors 3/8" Wide (Sold as Pair)

■ **REF. NO. 69082**  
"S" Retractors 1/2" Wide (Sold as Pair)

## REUSABLE MULTI-PURPOSE KNOT PUSHER/PALPATION PROBE

Available in 3mm and 4mm Diameter

ONE END IS A  
PALPATION PROBE

■ **REF. NO. 94435**  
4mm x 36cm Multi-Purpose Knot Pusher

■ **REF. NO. 94436**  
4mm x 45cm Multi-Purpose Knot Pusher

■ **REF. NO. 94437**  
3mm x 36cm Multi-Purpose Knot Pusher



Detail of Knot Pusher

THE OTHER END IS A  
KNOT PUSHER

## MEDIFLEX MICROGRIP™ RATCHETING RETRACTOR/GRASPER FOR PERCUTANEOUS ACCESS

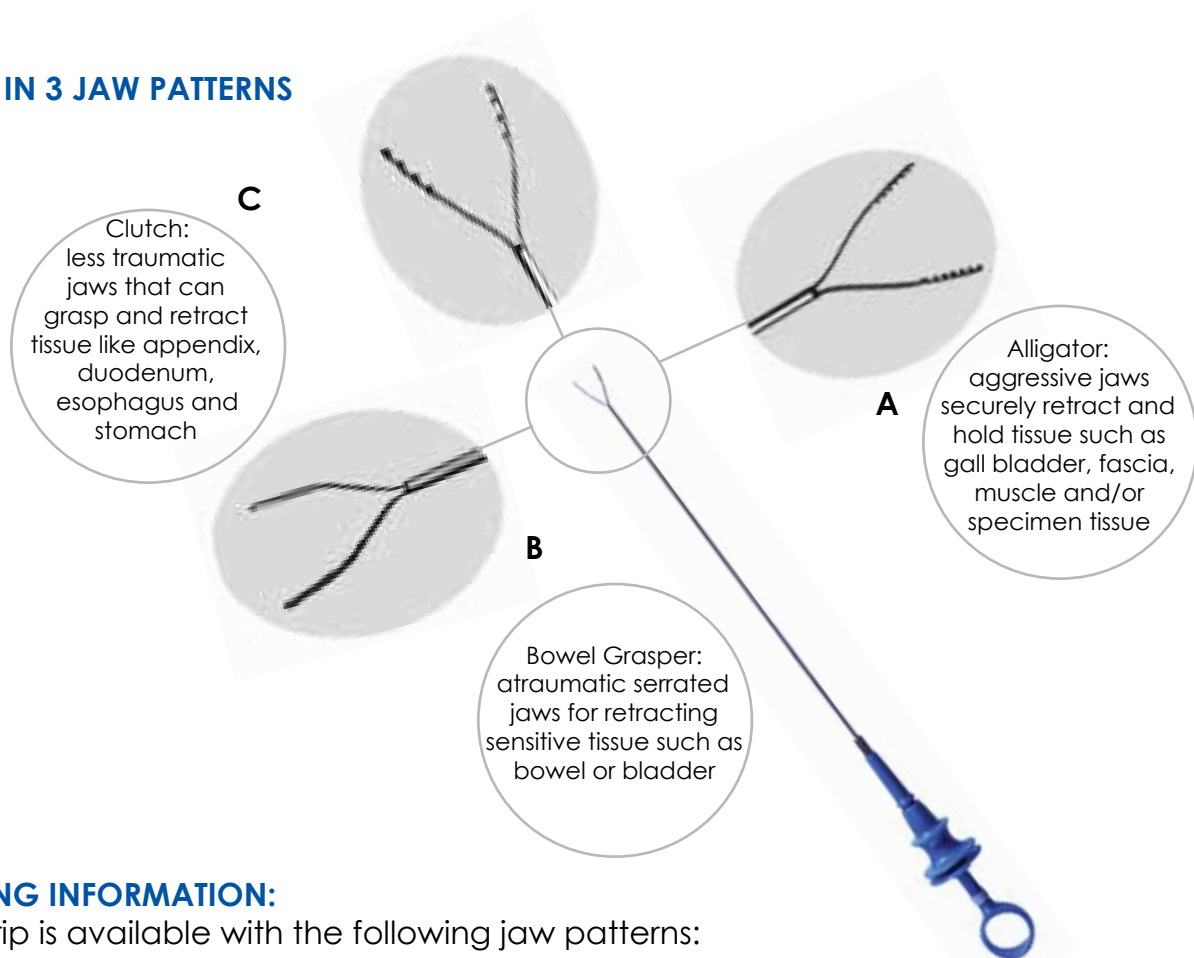
The MicroGrip is a 2.7mm, 28cm long instrument designed to secure and manipulate soft tissue and organs during traditional and Single Port laparoscopic procedures.



### FEATURES & BENEFITS

- Ratcheted Handle
- One Handed Operation
- Nitinol Jaws
- Eliminates need for additional trocars and suture closure of incision
- Instrumentation & Access in a Single Device
- Blunt Dissecting Tip
- Multiple Jaw Configurations

### AVAILABLE IN 3 JAW PATTERNS



### ORDERING INFORMATION:

MicroGrip is available with the following jaw patterns:

Style	Ref. No.	Description
<b>A</b>	<b>92050-A</b>	Alligator Grasping Jaw
<b>B</b>	<b>92051-B</b>	Bowel Grasping Jaw
<b>C</b>	<b>92052-C</b>	Clutch Grasping Jaw
	<b>92047-RC</b>	Replacement Sheath for MicroGrip, 2.7mm x 28cm
	<b>92049-CB</b>	Cleaning Brush for MicroGrip, 2.3mm dia. x 60cm

REF. NO.	PAGE	REF. NO.	PAGE	REF. NO.	PAGE	REF. NO.	PAGE	REF. NO.	PAGE
69045	3	69056-BSS	7	69720	18	72190	9	73025-NLR	17
69045-D	3	69056-D	7	69735	16	72190-SA	14	73025-XL	17
69045-QC	3	69056-QC	7	69735-3	16	72191	9	73035-NLR	18
69045-QC5	3	69056-QC-BS01	7	69736	16	72191-SA	14	73035-XL	18
69045-QG10	3	69080	20	69736-XL	16	72193	9	73036-NLR	18
69050	3	69081	20	69737	16	72224	8	73036-XL	18
69050-D	3	69082	20	69737-XL	16	72225	8	73040	13
69050-QC	3	69098	8	69738	16	73000	12	91187	8
69053	8	69099	8	69760	8	73000-LP	12	91667	19
69054	4	69303-AD	7	69761	8,17	73000-NLR	17	91667-45	19
69054-D	4	69303-AQC	7	69762	8,17	73000-SA	12	91668	19
69054-DLR	5	69303-AS	7	72009	9,14	73000-TM	12	91668-45	19
69054-LR	5	69701	18	72010	9,14	73001	12	91670	19
69054-QC	4	69702	3	72011	9,14	73001-LP	12	91671	19
69054-QCLR	5	69703	16	72013	9,14	73001-SA	12	91672	19
69055	4	69704	16	72029	9	73001-TM	12	91675	19
69055-D	4	69705	16	72051	9	73002	13	92050-A	20
69055-DLR	6	69706	2,15	72095	9	73002-NC	13	92051-B	20
69055-DS	4	69707	2,15	72096	9	73002-SA	14	92052-C	20
69055-DSLR	6	69708	15	72103	9	73005-NLR	17	92047-RC	20
69055-LR	6	69708-MB	15	72105	9	73010	13	92049-CB	20
69055-QC	4	69709	16	72106	9	73012	13	94435	19
69055-QCLR	6	69710		72162	2,15	73020-NLR	17	94436	19
69056	7	69710-XL	16	72163	2,15	73020-XL	17	94437	19
69056-BSD	7								

**Additional Laparoscopic Products Available From Mediflex®...**

Mediflex Deluxe Modular Laparoscopic Instruments...  
...A System of Choices

Over 40 Top Choices

Five Colored Band Choices for Self Identification

Seven Handle Choices

**Mediflex**  
SURGICAL PRODUCTS

**DMI-0112** Deluxe Modular Laparoscopic Instruments

New from Mediflex:  
3.5mm Laparoscopic Instruments.  
Made in the USA!

- Nine, single-handed instrument patterns as well as electrodes and an axial handled needle holder (See reverse)
- 25cm length appropriate for pediatric laparoscopy
- 33cm length also available
- All instruments feature full 360° rotation, monopolar post and flush port for cleaning
- Light-weight, non-conductive handles are made from durable composite material
- Scissor and Dissector patterns feature a non-locking handle
- Grasper patterns feature a ratcheted handle.

**Mediflex**  
SURGICAL PRODUCTS

**3MM-0911** 3.5mm Laparoscopic Instruments

New from Mediflex:  
Laparoscopic Needle Holders.  
Made in the USA!

All Mediflex Laparoscopic Needle Holders are **Manufactured in the United States**  
All are available with Tungsten Carbide jaws that are Straight, Curved Left or Curved Right

The Lightweight, Ergonomic, Handled, 5mm Needle Holder shown above, can be taken apart for cleaning and sterilization. It also features an on/off ratchet. It is available complete or as components.

The Stainless Steel, Axial Handle Needle Holder is a ratcheted One-Handed instrument that has a flush port for cleaning. All three jaw shapes are available in both a 33cm and in a 45cm length. Both lengths are 5mm in diameter.

(See reverse for additional information)

**Mediflex**  
SURGICAL PRODUCTS

**USNH-1010** Laparoscopic Needle Holders

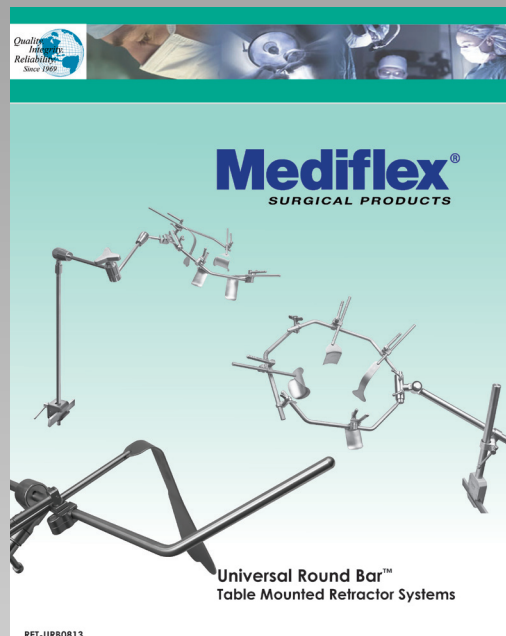
See back cover for more Mediflex products

**Limited Product Warranty:** All products in this catalog are warranted to the original purchaser to be free from defects in the material and workmanship for a period of one (1) year from the date of purchase as indicated by the date stamp on the part. If a product proves to be defective, purchaser should obtain a Returned Goods Authorization from Mediflex and return it to the address below. Mediflex will repair or replace defective products at our option. Mediflex's ability under this limited warranty does not extend to any abuse or misuse of the product.

Also Available from Mediflex Surgical Products....



**RET-BK0713** Bookler® and Mini-Bookler®  
Table Mounted Retractor Systems



**RET-URB0813** Universal Round Bar™  
Table Mounted Retractor Systems

To Order Mediflex Products contact your  
local Distributor or contact Mediflex at:

toll free (USA): 800-764-0474  
phone: +1-631-582-6424  
fax: +1-631-582-4520  
email: [sales@mediflex.com](mailto:sales@mediflex.com)

Mediflex Order Dept.  
250 Gibbs Road  
Islandia, NY 11749-2697  
USA

You can find your distributor at [www.mediflex.com](http://www.mediflex.com)

**Mediflex®**  
**SURGICAL PRODUCTS**

© 2014 Mediflex Surgical Products, Islandia, NY