



TRUCK & TRAILER PARTS[®]



SUSPENSION & STEERING

AIR SPRINGS

BUSHINGS

MECHANICAL SPRINGS & HARDWARE

SHOCK ABSORBERS

STEERING PARTS & HARDWARE

www.trpparts.com.au



Spring back into action with quality steering and suspension parts that will keep your truck on the straight and narrow.

Our steering and suspension components are chosen to suit Australia's varied conditions covering popular truck and trailer applications to keep your truck and trailer performing year round.



TRUCK & TRAILER PARTS[®]

SUSPENSION & STEERING

AIR SPRINGS

TRP® air springs are 100% leak tested before leaving the factory and are designed and engineered specifically for the aftermarket.

Manufactured by one of the largest OEM air spring suppliers, TRP® air springs provide exceptional value whilst never compromising on quality or safety.



AIR SPRINGS

15 PRODUCTS AVAILABLE

FEATURES & BENEFITS

- Chemically formulated vulcanised rubber to withstand ozone effects
- High quality materials used in manufacturing including unique fabric material for higher burst rating and extended life
- Meets OEM performance standards
- Lightweight and 100% leak tested
- 12 month hassle free warranty





TRUCK AIR SPRINGS

NO.	FRONT ELEVATION	PLAN	PART NUMBER	PRODUCT DESCRIPTION	APPLICATION	CROSS REFERENCES
1.			AS94220	KENWORTH - K303-15	TRUCK AIR SPRING	W01-544-9614 W01-358-9422 1R11-028
2.			AS95410	KENWORTH - C81-1005	TRUCK AIR SPRING	C81-1005 W01-358-9541
3.			AS95470	KENWORTH - C81-1004	TRUCK AIR SPRING	C81-1004 W01-358-9547 1R11-268
4.			AS96160	KENWORTH - K303-16	TRUCK AIR SPRING	K303-16 W01-358-9616 1R11-242
5.			AS96170	KENWORTH - K303-18	TRUCK AIR SPRING	K303-18 W01-358-9617 1R11-219
6.			AS96221	KENWORTH - K303-22	TRUCK AIR SPRING	K303-22 W01-358-9622 1R11-221
7.			AS96250	KENWORTH - K303-25	TRUCK AIR SPRING	K303-25 W01-358-9625 1R11-222
8.			AS96750	KENWORTH - K303-28	TRUCK AIR SPRING	K303-28 W01-358-9675 1R11-221



TRAILER AIR SPRINGS

NO.	FRONT ELEVATION	PLAN	PART NUMBER	PRODUCT DESCRIPTION	APPLICATION	CROSS REFERENCES
9.			AS80910	HENDRICKSON INTRAAX AA250	TRAILER AIR SPRING	C-21784 W01-358-8091 1R14-171
10.			AS87090	HENDRICKSON INTRAAX AA230	TRAILER AIR SPRING	S-21800 W01-358-8709 1R13-118
11.			AS92700	HENDRICKSON INTRAAX HT230	TRAILER AIR SPRING	S-21208 W01-358-9270 1R13-119
12.			AS95800	HENDRICKSON HT250US	TRAILER AIR SPRING	C-20127 W01-358-9580 1R13-149 1R13-118
13.			AS96440	HENDRICKSON INTRAAX AA250L	TRAILER AIR SPRING	S-23721 W01-358-9644
14.			AS96460	HENDRICKSON INTRAAX AANL	TRAILER AIR SPRING	S-23611 W01-358-9646
15.			AS95010	NEWAY - AD246-10	TRAILER AIR SPRING	90557212 W01-358-9501 1R12-485



AS94420



AS95010



AS80910

SUSPENSION & STEERING

BUSHINGS

TRP® torque rod bush exhibits excellent torsional stiffness, offering maximum strength and durability at a competitive price.



TORQUE ROD BUSH

TRB68250

APPLICATIONS

- Airglide 200/400 Suspensions
- Kenworth Airglide Suspension 200/230/400/460
- Hendrickson HA Air Suspension
- Mack Rear ST34 Tapered Spring Suspension
- Neway SAF Holland ADZ123/126 Suspension

FEATURES & BENEFITS

- High quality, reliable and exhibit excellent torsional stiffness for maximum strength and durability
- Excellent value
- 12 month hassle free warranty

CROSS REFERENCE

- 839310
- GAFF11729
- SP1507
- 836940
- SP1478
- E10303



SUSPENSION & STEERING

MECHANICAL SPRINGS & HARDWARE

TRP® mechanical springs are available for most popular trailer makes and models.



CENTRE BOLT AND NUTS

**T03-7447AU****T03-7449AU****T03-7453AU****T03-7533AU**

PART NUMBER	PRODUCT DESCRIPTION	CROSS REFERENCE	LENGTH OF THREAD
T03-7447AU	Size - 6" X 1/2"	SP7447, CB6-1/2	4" (100mm)
T03-7449AU	Size - 7" X 1/2"	SP7449	4" (100mm)
T03-7453AU	Size - 8" X 1/2"	SP7453, CB8-1/2, IT7448	6" (150mm)
T03-7532AU	Size - 10" X 7/16"		7" (175mm)
T03-7533AU	Size - 12" X 1/2"	SP7458	10" (250mm)



LEAF SPRINGS



T03-7401AU



T03-7410AU



T03-7411AU



T03-7412AU

PART NUMBER	PRODUCT DESCRIPTION	CROSS REFERENCE	APPLICATION	LEAF SIZE
T03-7401AU	13 LEAF	SP7401, ULA1493, IT013, SXT-09-9405, WTI-13	FRUEHAUF	76MM X 10MM
T03-7402AU	13 LEAF	SP7402, IT013-1, SXT-09-9406, WTI-13-1	FRUEHAUF	76MM X 10MM
T03-7407AU	10 LEAF, 1 HOOK	59901025	HAULMARK, YORK	76mm X 11mm
T03-7410AU	8 LEAF, 1 HOOK	SP7410, IT008, SF1014, SXT-09-9423, R08, 59770706	GENERAL PURPOSE	76mm X 12mm
T03-7411AU	8 LEAF, 2 HOOK	SP7411, IT008A, SF1016, SXT-09-9424	GENERAL PURPOSE	76mm X 12mm
T03-7412AU	8 & 9 LEAF	SP7412, IT008-1, SXT-09-9425, R08-1	GENERAL PURPOSE	



LEAF SPRINGS

**T03-7415AU****T03-7418AU****T03-7438AU**

PART NUMBER	PRODUCT DESCRIPTION	CROSS REFERENCE	APPLICATION	LEAF SIZE
T03-7415AU	9 LEAF, 1 HOOK	SP7415, IT009, SF1015, SXT-09-9429, R09, 59770705	GENERAL PURPOSE	76MM X 12MM
T03-7418AU	9 LEAF, 2 HOOK	SF1017, IT009A, SXT-09-9430	GENERAL PURPOSE	76MM X 12MM
T03-7438AU	9 LEAF	SP7438, IT453, FRT-203-01453, FI-9	FREIGHTER	90MM X 10MM
T03-7438HDAU	10 LEAF	SP7438, IT453, FRT-203-01453, FI-9	FREIGHTER	90MM X 10MM
T03-7439AU	10 LEAF	SP7439, IT453-1, FI-9-1	FREIGHTER	
T03-7432AU	15 LEAF	IT7448	IVECO, REYCO	



HARDWARE

T03-1201AU

EQUALISER PIN

APPLICATIONS

- General Purpose

CROSS REFERENCE

- SP1201-HD
- ULA5183
- IT1201HD
- SF0013
- SXT-09-9302
- WT1201C
- 59900013



HARDWARE

T03-1401AU

TORQUE ROD BOLT

SUITS 1301 BUSH

APPLICATIONS

- General Purpose

CROSS REFERENCE

- SP1401-HD
- ULA7822
- IT1401HD
- SF1012
- SXT-09-9240
- WT1401C
- 59901012



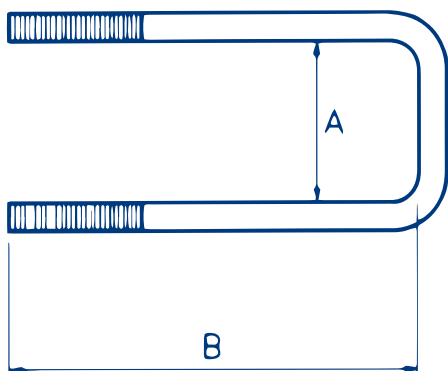
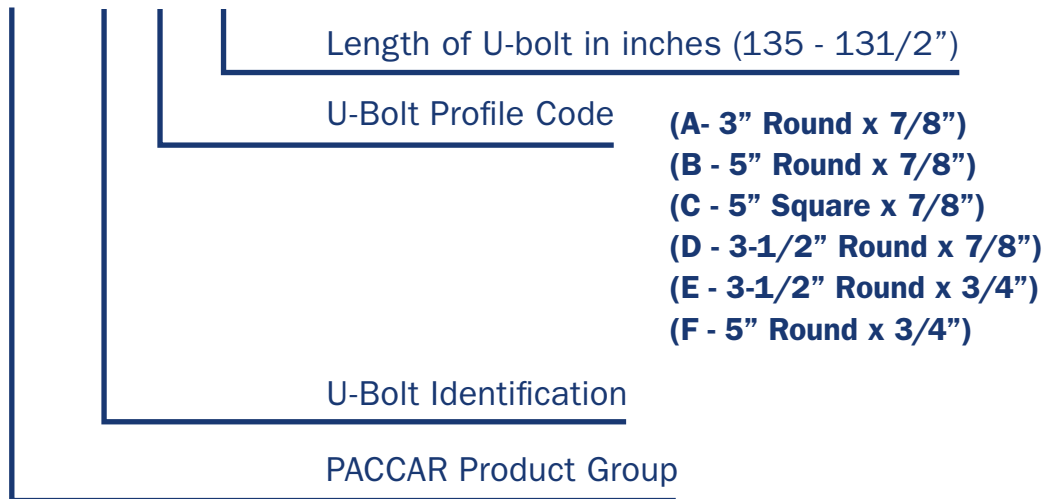
OUTSIDE DIAMETER	OVERALL LENGTH
32MM	165MM



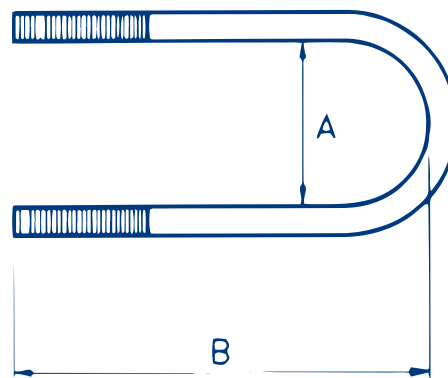
TRAILER U-BOLTS (GRADE 5)

U-BOLT PART NUMBER CODE – SAMPLE

T03-UBA-135



Square Bend Type



Round Bend Type

NOTE

1. Width of U-Bolts listed is inside width. Dimension A above.
2. Length of U-Bolts listed is inside length. Dimension B above.
3. All U-Bolts are grade 5 material which is only suitable for trailer applications
4. Most U-Bolts are supplied with nuts and washers.
5. All U-Bolt threads are UNF.
6. Refer to OEM documentation for correct tightening torque.
7. Always retorque U-Bolts at OEM recommended service intervals.



3" ROUND BEND X 7/8" PROFILE CODE - A

**APPLICATION**

- Trailer

T03-UBA-145

PART NUMBER	LENGTH	LENGTH OF THREAD
T03-UBA-145	14-1/2"	4"
T03-UBA-155	15-1/2"	4"
T03-UBA-165	16-1/2"	4"
T03-UBA-175	17-1/2"	4"

5" ROUND BEND X 7/8" PROFILE CODE - B

P/N T03-UBB-10 NOT
SUPPLIED WITH NUTS
AND WASHERS

**T03-UBB-145****APPLICATION**

- Trailer

PART NUMBER	LENGTH	LENGTH OF THREAD
T03-UBB-125	12-1/2"	3"
T03-UBB-135	13-1/2"	4"
T03-UBB-145	14-1/2"	4"
T03-UBB-155	15-1/2"	4"
T03-UBB-165	16-1/2"	4"



5" SQUARE BEND X 7/8" PROFILE CODE - C



APPLICATION

- Trailer

T03-UBC-135

PART NUMBER	LENGTH	LENGTH OF THREAD
T03-UBC-125	12-1/2"	3"
T03-UBC-135	13-1/2"	4"
T03-UBC-145	14-1/2"	4"
T03-UBC-155	15-1/2"	4"

3-1/2" ROUND BEND X 7/8" PROFILE CODE - D NO NUTS AND WASHERS



APPLICATION

- Trailer

PART NUMBER	LENGTH	LENGTH OF THREAD
T03-UBD-145	14-1/2"	3"



**3-1/2" ROUND
BEND X 3/4"
PROFILE CODE - E
NO NUTS AND WASHERS**

**APPLICATION**

- Trailer

PART NUMBER	LENGTH	LENGTH OF THREAD
T03-UBE-155AU	15-1/2"	3"

**5" ROUND
BEND X 3/4"
PROFILE CODE - F**

**T03-UBF-135****APPLICATION**

- Trailer

PART NUMBER	LENGTH	LENGTH OF THREAD
T03-UBF-125	12-1/2"	3"
T03-UBF-135	13-1/2"	4"
T03-UBF-145	14-1/2"	4"

SUSPENSION & STEERING

SHOCK ABSORBERS

With large bore sizes and increased oil capacity, TRP® shock absorbers can operate cooler over long distances and at constant high speeds.

The range covers most popular applications in the truck and trailer market and are manufactured by an OEM supplier.



FEATURES & BENEFITS

- Manufactured by an OE manufacturer
- Increased oil capacity vastly improves heat dissipation
- Large bore sizes and dampening forces to suit higher loads and Australian conditions
- Viton & HNBR seals along with high temperature oil helps withstand higher operating temperatures for longer
- 12 month hassle free warranty

KW FRONT SA001TRP

APPLICATIONS

- Parabolic Spring
- Truck

CROSS REFERENCE

- 90-2209SP1
- 90-2209SP3
- 90-2209SP3B
- CC155



COLLAPSED LENGTH (MM)	EXTENDED LENGTH (MM)	TOP MOUNT	TOP FITTING	BOTTOM MOUNT	BOTTOM FITTING
417	660	EYE	25MM X 50MM	EYE	25MM X 50MM

KW FRONT SA002TRP

APPLICATIONS

- Multi-Leaf Spring
- Truck

CROSS REFERENCE

- 90-2209
- 090-209SP2B
- 90-2209SB2B
- CC156



COLLAPSED LENGTH (MM)	EXTENDED LENGTH (MM)	TOP MOUNT	TOP FITTING	BOTTOM MOUNT	BOTTOM FITTING
304	443	EYE	19MM X 45MM	EYE	19MM X 45MM



KW AIRGLIDE SA003TRP

APPLICATIONS

- Airglide 200/400 10.5" Ride Height With Stud Type Top Mount
- Truck

CROSS REFERENCE

- 90-2478SP3
- 90-2478SP4
- C71-1006
- K374-38K1T
- P793
- HV2021



COLLAPSED LENGTH (MM)	EXTENDED LENGTH (MM)	TOP MOUNT	TOP FITTING	BOTTOM MOUNT	BOTTOM FITTING
310	510	STUD	16MM	STUD	16MM

KW AIRGLIDE SA018TRP

APPLICATIONS

- Airglide 200/400 9" Ride Height
- Truck

CROSS REFERENCE

- K374-41K1T
- K374-43
- 90-2477SP2
- HV2020
- P1041



COLLAPSED LENGTH (MM)	EXTENDED LENGTH (MM)	TOP MOUNT	TOP FITTING	BOTTOM MOUNT	BOTTOM FITTING
285	460	STUD	16MM	STUD	16MM



HENDRICKSON SA012TRP

APPLICATIONS

- HAS400
- HAS460 Air
- TRUCK



CROSS REFERENCE

- 47902-015
- 47902-024
- 57905-001
- 60670-005
- 60670-005-L
- 88-1704
- P42013

COLLAPSED LENGTH (MM)	EXTENDED LENGTH (MM)	TOP MOUNT	TOP FITTING	BOTTOM MOUNT	BOTTOM FITTING
472	780	EYE	19MM X 45MM	EYE	19MM X 45MM

HENDRICKSON SA005TRP

APPLICATIONS

- Monopivot
- Trailer



CROSS REFERENCE

- S-20889
- S-21699
- S-24023
- 90-2396
- 90-2396SP1
- 91-2641
- P126
- P161

COLLAPSED LENGTH (MM)	EXTENDED LENGTH (MM)	TOP MOUNT	TOP FITTING	BOTTOM MOUNT	BOTTOM FITTING
299	442	EYE	19MM X 45MM	EYE	19MM X 45MM



HENDRICKSON SA006TRP

APPLICATIONS

- HT230
- HT300
- T15/17
- Trailer

CROSS REFERENCE

- S-21699
- S-24023
- S-23743
- 98583-011
- 91-2641SP1
- P322



COLLAPSED LENGTH (MM)	EXTENDED LENGTH (MM)	TOP MOUNT	TOP FITTING	BOTTOM MOUNT	BOTTOM FITTING
304	443	EYE	19MM X 45MM	EYE	19MM X 45MM

HENDRICKSON SA008TRP

APPLICATIONS

- HT250US
- Trailer

CROSS REFERENCE

- S-21994
- S-23649
- S-23743
- P178



COLLAPSED LENGTH (MM)	EXTENDED LENGTH (MM)	TOP MOUNT	TOP FITTING	BOTTOM MOUNT	BOTTOM FITTING
287	405	EYE	19MM X 45MM	EYE	19MM X 45MM

HENDRICKSON SA015TRP

APPLICATIONS

- INTRAAX AAEDT
- Trailer

CROSS REFERENCE

- S-25436



COLLAPSED LENGTH (MM)	EXTENDED LENGTH (MM)	TOP MOUNT	TOP FITTING	BOTTOM MOUNT	BOTTOM FITTING
396	630	EYE	19MM X 45MM	EYE	19MM X 45MM



SAF (NEWAY) SA004TRP

APPLICATIONS

- AD246-10" • Truck

CROSS REFERENCE

- 3501001 • P102
- 90045504 • 90-2466SP1



COLLAPSED LENGTH (MM)	EXTENDED LENGTH (MM)	TOP MOUNT	TOP FITTING	BOTTOM MOUNT	BOTTOM FITTING
387	605	EYE	19MM X 50MM	EYE	19MM X 50MM

VOLVO FRONT SA019TRP

APPLICATIONS

- PARABOLIC SPRING • Truck

CROSS REFERENCE

- 1629485 • 3987957 • 20374546 • 20769819
- 1629992 • 3987958 • 20374548 • 20900497
- 3171962 • 20374545 • 20532767



COLLAPSED LENGTH (MM)	EXTENDED LENGTH (MM)	TOP MOUNT	TOP FITTING	BOTTOM MOUNT	BOTTOM FITTING
447	721	EYE	16MM X 100MM	EYE	16MM X 66MM

VOLVO DRIVE SA020TRP

APPLICATIONS

- 8 BAG SYSTEM • Truck

CROSS REFERENCE

- 20374543 • 20766063 • 21232663
- 20585556 • 21172387



COLLAPSED LENGTH (MM)	EXTENDED LENGTH (MM)	TOP MOUNT	TOP FITTING	BOTTOM MOUNT	BOTTOM FITTING
396	630	EYE	19MM X 45MM	EYE	19MM X 45MM



TMC, YORK SA007TRP

APPLICATIONS

- LMC
- TECAIR FB/VRH
- Trailer

CROSS REFERENCE

- 61.610052
- T03-610052
- P171
- 471700131057
- 88-1564



COLLAPSED LENGTH (MM)	EXTENDED LENGTH (MM)	TOP MOUNT	TOP FITTING	BOTTOM MOUNT	BOTTOM FITTING
394	627	EYE	16/20MM X 50MM	EYE	16/20MM X 50MM

TMC, YORK SA009TRP

APPLICATIONS

- Duratrac
- Tecair2
- LMC
- Trailer

CROSS REFERENCE

- 401700124223
- BOGE
- 787803
- P184
- 61610442/
- 61-610442
- 91-2756



COLLAPSED LENGTH (MM)	EXTENDED LENGTH (MM)	TOP MOUNT	TOP FITTING	BOTTOM MOUNT	BOTTOM FITTING
273	387	EYE	24MM X 58MM	EYE	24MM X 58MM



SAF (HOLLAND) SA010TRP

APPLICATIONS

- All 2000 Series
- Trailer

CROSS REFERENCE

- 90-2022
- 91-2227
- 21215751
- P227
- 90-2227
- 21215742
- 2501192



COLLAPSED LENGTH (MM)	EXTENDED LENGTH (MM)	TOP MOUNT	TOP FITTING	BOTTOM MOUNT	BOTTOM FITTING
297	430	EYE	20MM X 62MM	EYE	20MM X 62MM

MERITOR (ROR, FLEXAIR, RFS) SA011TRP

APPLICATIONS

- FI9000I & 2000 Series
- Trailer

CROSS REFERENCE

- 21224331
- 90-2368SP1
- 90-2400
- P342
- 21224745
- 90-2368SP2
- 91-2400



COLLAPSED LENGTH (MM)	EXTENDED LENGTH (MM)	TOP MOUNT	TOP FITTING	BOTTOM MOUNT	BOTTOM FITTING
297	436	EYE	24MM X 58MM	EYE	24MM X 58MM



BPW SA013TRP

APPLICATIONS

- Airlight 2 / Hd Series
- Trailer

CROSS REFERENCE

- 0237021800
- 237021800
- 02.3702.18.00HD
- 02.3702.18.02
- 90-2024SP1
- 90-2024SP3
- 401700112790
- P42550



COLLAPSED LENGTH (MM)	EXTENDED LENGTH (MM)	TOP MOUNT	TOP FITTING	BOTTOM MOUNT	BOTTOM FITTING
478	800	EYE	24MM X 55MM	EYE	24MM X 55MM

BPW SA014TRP

APPLICATIONS

- AL 2 , AL/SL, M42/2907
- Trailer

CROSS REFERENCE

- 02.3702.14.00
- 02.3702.52.00
- 02.3722.83.00
- 02.3722.83.02
- 401700112757
- 90-2207
- 91-2207
- P53024
- T03-4000
- 237228302



COLLAPSED LENGTH (MM)	EXTENDED LENGTH (MM)	TOP MOUNT	TOP FITTING	BOTTOM MOUNT	BOTTOM FITTING
273	387	EYE	24MM X 58MM	EYE	24MM X 58MM



WESTERN STAR FRONT SA016TRP

APPLICATIONS

- Multi-Leaf Spring
- Truck

CROSS REFERENCE

- 37301.3401
- 37301.3403
- 37301.3404
- 37301.3405
- 37301.3409
- 37301-3412
- 37390-4401
- 37390-4402
- 37390-4403
- 16-18831-000



COLLAPSED LENGTH (MM)	EXTENDED LENGTH (MM)	TOP MOUNT	TOP FITTING	BOTTOM MOUNT	BOTTOM FITTING
405	640	EYE	19/25MM X 50MM	EYE	19/25MM X 50MM

WESTERN STAR AND FREIGHTLINER SA017TRP

APPLICATIONS

- Airliner
- Truck

CROSS REFERENCE

- 16-13957-000
- 16-13957-003
- 16-15817-000
- 18-18708-000



COLLAPSED LENGTH (MM)	EXTENDED LENGTH (MM)	TOP MOUNT	TOP FITTING	BOTTOM MOUNT	BOTTOM FITTING
376	595	EYE	19MM X 97MM	EYE	19MM X 82MM

SUSPENSION & STEERING

STEERING PARTS & HARDWARE

With a range of service parts for your steering system, think TRP® next time you need to fix that leak, or sharpen up that responsiveness.



STEERING GEAR SEAL KIT

FEATURES & BENEFITS

- Quality seals manufactured to meet ISO 9000 series standards
- Complete rebuild content including sector seals, sealing rings & O-Rings
- Components specifically engineered to service aftermarket rebuilders



TAS000001TRP



TAS650012TRP



TAS850005TRP

During installation it is recommended to use the manufacturer's complete service manual with the provided illustration sheet. Please reference service manuals for required tools and methods of installation.

PART NUMBER	PRODUCT DESCRIPTION	CROSS REFERENCES
TAS000001TRP	TAS 40,55,65,85	TAS000001
TAS650012TRP	TAS 65	TAS650012
TAS850005TRP	TAS 85	TAS850005



STEERING UNI JOINT SS103

STEERING SHAFT UNIVERSAL JOINT

FEATURES & BENEFITS

- U-joints are case-hardened for long life and superior durability
- Manufactured and tested to OE specifications for quality control
- 12 month hassle free warranty

CROSS REFERENCE

- 5.103X
- CP103X

