
SWIFT

Product Specifications	476
Fabrics and Options	477
Contrasting Fabric	478
Product Pages - Non-Tufting	480
Product Pages - Tufting	489
COM Yardage Requirements	497



SWIFT

SWIFT PRODUCT SPECIFICATIONS

LOUNGE

FRAME CONSTRUCTION

- Interior frame is constructed of plywood with tenon joints that are glued and screwed for maximum joint stability
- Exterior base frame features wood and metal-look accents
- Each joint is securely glued for maximum joint stability

SEAT CONSTRUCTION

- 4" of high grade polyurethane foam covers a plywood seat panel with high tension strip webbing for comfort

BACK CONSTRUCTION

- 4½" of high grade custom shaped polyurethane foam stretched over web sheet and attached to frame

ARM CONSTRUCTION

- ½" of high grade polyurethane foam covers a plywood constructed arm frame

UPHOLSTERY DETAIL

- Contrasting fabric available on all models
- Railroaded fabrics cannot be specified for vertical tufted models

LEGS

- Extruded aluminum legs with nylon leveling glides

MOBILE UNIT CASTERS

- Black, double wheel, roll control casters are standard and work on all floors

TABLET ARM

- ¾" thick black 3D Laminate with MDF core or ¾" thick maple
- Attached with ¼" steel base plate and screws that mounts over ¼" metal insert rod and fits into structure of arm
- Allows for 360° swivel and writing surface of 21" W x 13½" D

FINISH

- Tablet arm features a catalyzed top coat that resists denting, peeling and reactions to chemicals
- Can be cleaned with a damp cloth
- When specifying Brighton, Natural, and Sonoma finish, variation in color is acceptable due to the nature of wood characteristics

PLINTH BASE

- Available on tufting models only
- Black PVC edge
- Includes leveling glides

GANGING - TUFTING MODELS

- Ganging option available for an additional upcharge on the armless side(s) of lounges, benches and tables
- A right ganging bolt and left V-bracket is necessary for units to be ganged
- To gang units, simply lift unit and insert ganging bolt into ganging V-bracket

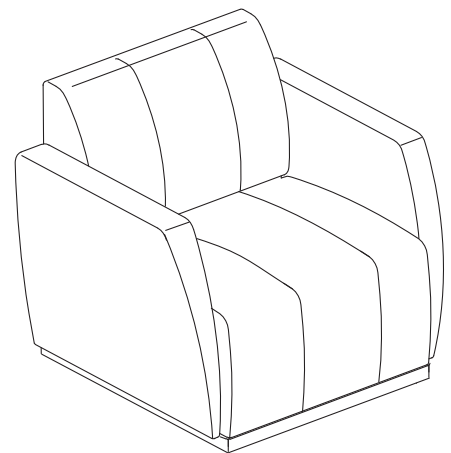
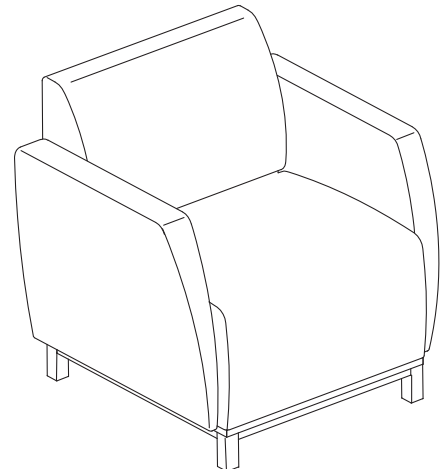
TABLES

FRAME CONSTRUCTION

- Grade A slipmatched maple (Brighton, Caramel, Honey, Natural), or cherry veneer (Amber, Autumn, Cordovan, Judicial, Mocha, Truffle) with mitered corners and extruded aluminum legs with rails
- Veneer features a semi-open pore matte sheen

POWER AND DATA GROMMET

- Available in the 30°, 45°, 90° and small end tables
- 3 power grommets available; specify cutout option and order electrical grommet model separately. See pages 647-648 for details and pricing
- Power grommet not available on coffee or console tables



All Swift models may be ordered to meet TB133 fire code with the exception of the Vertical Tufting with Plinth Base models.

To order seating to meet the TB133 fire code, specify an "F" at the end of the model number (Ex: N95MAF).

For TB133 pricing go to www.NationalOfficeFurniture.com/TB133

Please consult customer service for applicable Arc-Com, Carnegie, Designtex, Maharam, Mayer, Momentum, Stinson, or Ultrafabrics fabric.

FABRICS

Grade 1	Cali
	Entwine
	Input
	Melange
	Ridge
	Spark
	Vessel
	Zig Zag

Grade 2	Bliss
	Brilliant
	COM
	Dolce
	Dorset
	Intuition
	Orbit
	Phrase
	Pixie
	Sedona
	Stencil
	Strand

Grade 3	COL
	Silvertex

Grade 4	Connect Four
	Echo
	Masquerade

Grade 5	Mode
---------	------

Grade 6	Essence/Ultraleather
---------	----------------------

Grade 7	Brisa
	Brisa Distressed
	Reef Pro
	Silica
	Silica Etch
	Tottori

Grade L7	Davenport
----------	-----------

Grade L8	Florence
----------	----------

**TABLES
SURFACE
GROMMETS/CUTOUTS**

(\$30 list upcharge per location)

CUT-G12	G12 Cutout
CUT-G17	G17 Cutout
CUT-G23	G23 Cutout
X	No Grommet

**TABLES
SIDE
GROMMETS/CUTOUTS**

(\$30 list upcharge per location)

CUT-G23C	Power Grommet
X	No Grommet

Reference pages 647-648 for pricing and details

TABLET ARM

T	3D Laminate, Black
W	Wood

**FRAME COLORS -
NON-TUFTING MODELS**

423	Concrete
462	Cinder
463	Iron
497	Polished Aluminum
501	Platinum Metallic
503	Satin Nickel Metallic

FINISHES

AC	Autumn	PB	Portobello*
AD	Almond*	PT	Portico*
CL	Caramel	SK	Skyline*
CW	Cordovan	SM	Sonoma*
DW	Judicial	TF	Truffle
HN	Honey	405	Designer White*
IM	Brighton	462	Cinder*
MC	Amber	792	Sable*
MH	Mocha	793	Acorn*†
NM	Natural		

*Not available on tables

†Acorn is the finish and laminate complement to Clear Walnut finish

LAMINATES

AC2	Autumn 2	TF	Truffle
AD	Almond	405	Designer White
CL	Caramel	419	Wallaby
CW	Cordovan	425	Shadow
DW	Judicial	440	Cloud
HN2	Honey 2	461	Graphite
IM	Brighton	462	Cinder
MC	Amber	478	Platinum Grey
MH	Mocha	488	Frosty White
NM	Natural	491	Designer White
PB	Portobello		Linear
PT	Portico	492	Cinder Linear
SK	Skyline	792	Sable
SM	Sonoma	793	Acorn†

**GANGING OPTIONS
TUFTING MODELS ONLY**

(\$63 list upcharge per ganging location)

LOUNGE

L	Ganging Left
R	Ganging Right
LR	Ganging Left and Right
X	No Ganging

TABLES

1	Ganging 1 Side
2	Ganging 2 Sides
X	No Ganging

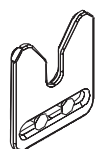
**GANGING BRACKET DETAILS
(AS SEATED)**

RIGHT SIDE GANGING



Ganging Bolt

LEFT SIDE GANGING



Ganging V-Bracket

TO ORDER CONTRASTING FABRIC, SPECIFY

SWIFT

1 Seat Lounge page 480

1 Seat Lounge - Single Arm page 480

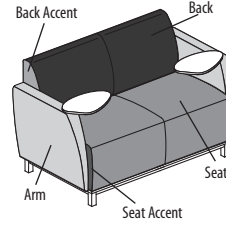
2 Seat Lounge page 481

2 Seat Lounge - Single Arm page 481

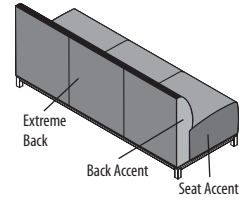
3 Seat Lounge page 482

3 Seat Lounge - Single Arm page 482

1. Model Number plus "X"
2. Back Fabric Grade Number/Cover Number
3. Extreme Fabric Grade Number/Cover Number
4. Back Accent Fabric Grade Number/Cover Number
5. Seat Fabric Grade Number/Cover Number
6. Seat Accent Fabric Grade Number/Cover Number
7. Arm Fabric Grade Number/Cover Number
8. Tablet (when applicable)
9. Finish Designator
10. Frame Color



Contrasting Fabric
Tablet Both Arms



Contrasting Fabric Back View

30° Corner Unit page 483

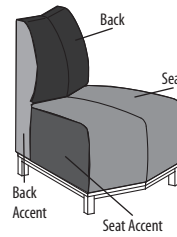
45° Inside Corner Unit page 483

45° Outside Corner Unit page 483

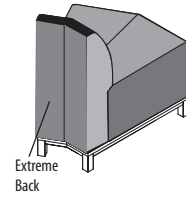
90° Inside Corner Unit page 484

90° Outside Corner Unit page 484

1. Model Number plus "X"
2. Back Fabric Grade Number/Cover Number
3. Extreme Fabric Grade Number/Cover Number
4. Back Accent Fabric Grade Number/Cover Number
5. Seat Fabric Grade Number/Cover Number
6. Seat Accent Fabric Grade Number/Cover Number
7. Finish Designator
8. Frame Color



Contrasting Fabric



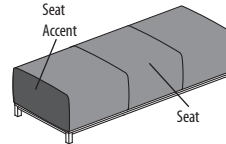
Contrasting Upholstery Back View

1 Seat Bench page 485

2 Seat Bench page 485

3 Seat Bench page 485

1. Model Number plus "X"
2. Seat Fabric Grade Number/Cover Number
3. Seat Accent Fabric Grade Number/Cover Number
4. Finish Designator
5. Frame Color



Contrasting Fabric

TO ORDER CONTRASTING FABRIC, SPECIFY

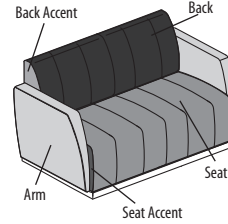
SWIFT

1 Seat Lounge Vertical Tuft Plinth Base page 489

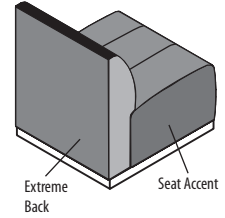
2 Seat Lounge Vertical Tuft Plinth Base page 489

3 Seat Lounge Vertical Tuft Plinth Base page 489

1. Model Number plus "X"
2. Ganging
3. Back Fabric Grade Number/Cover Number
4. Extreme Fabric Grade Number/Cover Number
5. Back Accent Fabric Grade Number/Cover Number
6. Seat Fabric Grade Number/Cover Number
7. Seat Accent Fabric Grade Number/Cover Number
8. Arm Fabric Grade Number/Cover Number



Contrasting Fabric



Contrasting Fabric Back View

30° Inside Corner Lounge Vertical Tuft Plinth Base page 490

30° Outside Corner Lounge Vertical Tuft Plinth Base page 490

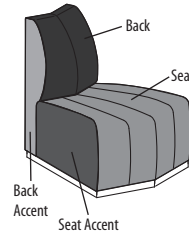
45° Inside Corner Lounge Vertical Tuft Plinth Base page 490

45° Outside Corner Lounge Vertical Tuft Plinth Base page 490

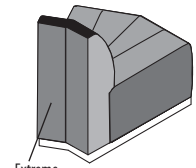
90° Inside Corner Lounge Vertical Tuft Plinth Base page 491

90° Outside Corner Lounge Vertical Tuft Plinth Base page 491

1. Model Number plus "X"
2. Ganging
3. Back Fabric Grade Number/Cover Number
4. Extreme Fabric Grade Number/Cover Number
5. Back Accent Fabric Grade Number/Cover Number
6. Seat Fabric Grade Number/Cover Number
7. Seat Accent Fabric Grade Number/Cover Number



Contrasting Fabric



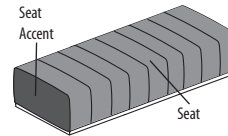
Contrasting Upholstery Back View

1 Seat Bench Vertical Tuft Plinth Base page 491

2 Seat Bench Vertical Tuft Plinth Base page 491

3 Seat Bench Vertical Tuft Plinth Base page 491

1. Model Number plus "X"
2. Ganging
3. Seat Fabric Grade Number/Cover Number
4. Seat Accent Fabric Grade Number/Cover Number



Contrasting Fabric



Shaded models are available through our Quick Delivery program and will be delivered within 10 days or less. Shaded models that feature the 48 icon will ship within 48 hours (48). See page 8 for additional program information.

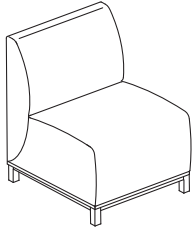
TO ORDER, SPECIFY:

1. Model Number
2. Fabric Grade Number
3. Cover Number
4. Tablet (when applicable)
5. Finish Designator
6. Frame Color

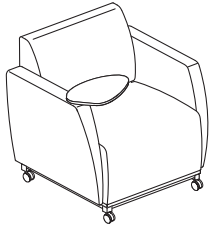
• See page 477 for Swift options

See pages 497-500 for COM fabric yardage

1 SEAT LOUNGE



Armless



Tablet Right Arm - Mobile

MODEL NO.

GRADE / LIST PRICE

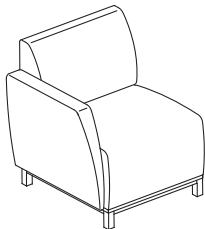
		1	2/COM	3/COL	4	5	6	7	L7	L8
N95MA	Armless	\$ 2359	2458	2502	2576	2654	2790	2970	3825	4098
QN95MA	Armless	2359	2458	2502	2576	2654	2790	2970		
N95MAC	Armless - Mobile	2567	2666	2710	2784	2862	2998	3178	4033	4306
QN95MAC	Armless - Mobile	2567	2666	2710	2784	2862	2998	3178		
N95AA	Arms	3071	3253	3333	3470	3613	3863	4194	5767	6269
QN95AA	Arms	3071	3253	3333	3470	3613	3863	4194		
N95AAR	Tablet Right Arm	3381	3563	3643	3780	3923	4173	4504	6077	6579
N95AAL	Tablet Left Arm	3381	3563	3643	3780	3923	4173	4504	6077	6579
N95AAC	Arms - Mobile	3278	3460	3540	3677	3820	4070	4401	5974	6476
QN95AAC	Arms - Mobile	3278	3460	3540	3677	3820	4070	4401		
N95AARC	Tablet Right Arm - Mobile	3590	3772	3852	3989	4132	4382	4713	6286	6788
N95AALC	Tablet Left Arm - Mobile	3590	3772	3852	3989	4132	4382	4713	6286	6788

DIMENSIONS

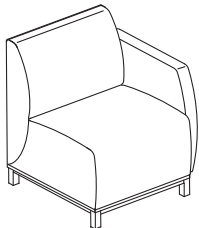
Armless Width	26½	Arm Height	27¼	Seat Depth	21¼	Armless Weight	49
Arm Width	32	Seat Height	19¼	Back Height	32½	Arm Weight	78
Depth	30	Seat Width	26½	Back Width	26½	Cubic Ft.	26.3
Height	32½						

• Contrasting fabric option – specify X (i.e., N95MAX); see page 478. For list pricing, use your electronic specification tool or contact customer service

1 SEAT LOUNGE - SINGLE ARM



Right Arm



Left Arm

		1	2/COM	3/COL	4	5	6	7	L7	L8
N95MAR	Right Arm	\$ 2686	2827	2888	2994	3104	3298	3553	4767	5154
N95MART	Tablet Right Arm	3057	3198	3259	3365	3475	3669	3924	5138	5525
N95MAL	Left Arm	2686	2827	2888	2994	3104	3298	3553	4767	5154
N95MALT	Tablet Left Arm	3057	3198	3259	3365	3475	3669	3924	5138	5525

DIMENSIONS

Width	29½	Arm Height	27¼	Seat Depth	21¼	Weight	67
Depth	30	Seat Height	19¼	Back Height	32½	Cubic Ft.	26.3
Height	32½	Seat Width	26½	Back Width	26½		

• Contrasting fabric option – specify X (i.e., N95MALX); see page 478. For list pricing, use your electronic specification tool or contact customer service

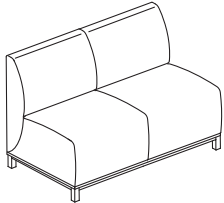
TO ORDER, SPECIFY:

1. Model Number
2. Fabric Grade Number
3. Cover Number
4. Tablet (when applicable)
5. Finish Designator
6. Frame Color

• See page 477 for Swift options

See pages 497-500 for COM fabric yardage

2 SEAT LOUNGE



MODEL NO.

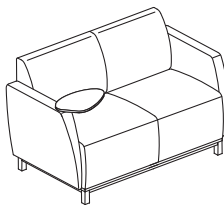
GRADE / LIST PRICE

		1	2/COM	3/COL	4	5	6	7	L7	L8
N95MB	Armless	\$ 3422	3576	3643	3758	3878	4089	4368	5692	6115
N95BB	Arms	4137	4345	4436	4592	4755	5041	5418	7212	7784
N95BBR	Tablet Right Arm	4447	4655	4746	4902	5065	5351	5728	7522	8094
N95BBL	Tablet Left Arm	4447	4655	4746	4902	5065	5351	5728	7522	8094
N95BBB	Tablet Both Arms	4758	4966	5057	5213	5376	5662	6039	7833	8405

DIMENSIONS

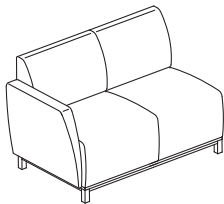
Armless Width	51½	Arm Height	27¼	Seat Depth	21¼	Armless Weight	84
Arm Width	59¼	Seat Height	19¼	Back Height	32½	Arm Weight	120
Depth	30	Seat Width	51½	Back Width	51½	Cubic Ft.	48.8
Height	32½						

• Contrasting fabric option – specify X (i.e., N95MBX); see page 478. For list pricing, use your electronic specification tool or contact customer service



Tablet Right Arm

2 SEAT LOUNGE - SINGLE ARM



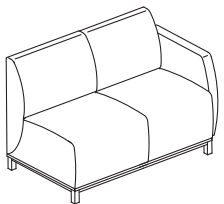
Right Arm

		1	2/COM	3/COL	4	5	6	7	L7	L8
N95MBR	Right Arm	\$ 3749	3919	3993	4120	4253	4486	4793	6256	6722
N95MBRT	Tablet Right Arm	4118	4288	4362	4489	4622	4855	5162	6625	7091
N95MBL	Left Arm	3749	3919	3993	4120	4253	4486	4793	6256	6722
N95MBLT	Tablet Left Arm	4118	4288	4362	4489	4622	4855	5162	6625	7091

DIMENSIONS

Width	55¼	Arm Height	27¼	Seat Depth	21¼	Weight	113
Depth	30	Seat Height	19¼	Back Height	32½	Cubic Ft.	48.8
Height	32½	Seat Width	51½	Back Width	51½		

• Contrasting fabric option – specify X (i.e., N95MBLX); see page 478. For list pricing, use your electronic specification tool or contact customer service



Left Arm

SWIFT

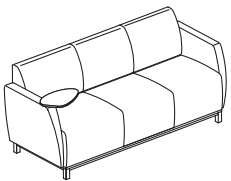
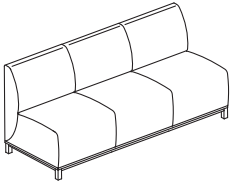
TO ORDER, SPECIFY:

1. Model Number
2. Fabric Grade Number
3. Cover Number
4. Tablet (when applicable)
5. Finish Designator
6. Frame Color

• See page 477 for Swift options

See pages 497-500 for COM fabric yardage

3 SEAT LOUNGE



Tablet Right Arm

MODEL NO.

GRADE / LIST PRICE

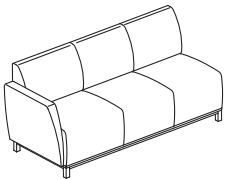
		1	2/COM	3/COL	4	5	6	7	L7	L8
N95MC	Armless	\$ 4487	4701	4795	4956	5124	5418	5807	7656	8246
N95CC	Arms	5198	5476	5598	5807	6025	6407	6912	9313	10079
N95CCR	Tablet Right Arm	5511	5789	5911	6120	6338	6720	7225	9626	10392
N95CCL	Tablet Left Arm	5511	5789	5911	6120	6338	6720	7225	9626	10392
N95CCB	Tablet Both Arms	5820	6098	6220	6429	6647	7029	7534	9935	10701

DIMENSIONS

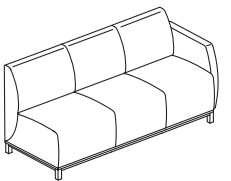
Armless Width	76	Arm Height	27¼	Seat Depth	21¼	Armless Weight	141
Arm Width	83	Seat Height	19¼	Back Height	32½	Arm Weight	155
Depth	30	Seat Width	79½	Back Width	79½	Cubic Ft.	72.2
Height	32½						

• Contrasting fabric option – specify X (i.e., N95CCX); see page 478. For list pricing, use your electronic specification tool or contact customer service

3 SEAT LOUNGE - SINGLE ARM



Right Arm



Left Arm

		1	2/COM	3/COL	4	5	6	7	L7	L8
N95MCR	Right Arm	\$ 4814	5051	5154	5332	5517	5843	6272	8314	8965
N95MCRT	Tablet Right Arm	5185	5422	5525	5703	5888	6214	6643	8685	9336
N95MCL	Left Arm	4814	5051	5154	5332	5517	5843	6272	8314	8965
N95MCLT	Tablet Left Arm	5185	5422	5525	5703	5888	6214	6643	8685	9336

DIMENSIONS

Width	82¼	Arm Height	27¼	Seat Depth	21¼	Weight	148
Depth	30	Seat Height	19¼	Back Height	32½	Cubic Ft.	72.2
Height	32½	Seat Width	79½	Back Width	79½		

• Contrasting fabric option – specify X (i.e., N95MCLX); see page 478. For list pricing, use your electronic specification tool or contact customer service

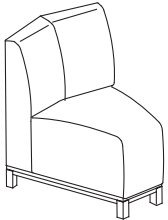
TO ORDER, SPECIFY:

1. Model Number
2. Fabric Grade Number
3. Cover Number
4. Finish Designator
5. Frame Color

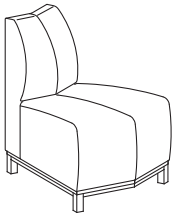
• See page 477 for Swift options

See pages 497-500 for COM fabric yardage

30° CORNER UNIT



30° Inside Corner



30° Outside Corner

MODEL NO.

GRADE / LIST PRICE

		1	2/COM	3/COL	4	5	6	7	L7	L8
N95MH	Inside Corner	\$ 2277	2360	2397	2459	2524	2638	2789	3507	3736
N95MHA	Outside Corner	2277	2354	2387	2445	2505	2611	2750	3412	3623

DIMENSIONS - INSIDE CORNER

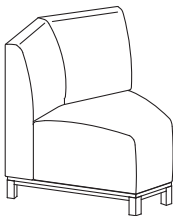
Width	25½	Seat Height	19¼	Weight	40
Depth	32			Cubic Ft.	31.9
Height	32½				

DIMENSIONS - OUTSIDE CORNER

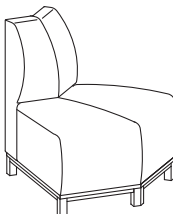
Width	27	Seat Height	19¼	Weight	40
Depth	31			Cubic Ft.	31.9
Height	32½				

- Contrasting fabric option – specify X (i.e., N95MHAX); see page 478. For list pricing, use your electronic specification tool or contact customer service
- Stripes and plaids are not recommended as the fabrics may not align at the seams

45° CORNER UNIT



45° Inside Corner



45° Outside Corner

		1	2/COM	3/COL	4	5	6	7	L7	L8
N95MJ	Inside Corner	\$ 2645	2744	2788	2862	2940	3076	3256	4111	4384
N95MJA	Outside Corner	2645	2731	2769	2834	2902	3020	3177	3922	4160

DIMENSIONS - INSIDE CORNER

Width	32½	Seat Height	19¼	Weight	45
Depth	32½			Cubic Ft.	31.9
Height	32½				

DIMENSIONS - OUTSIDE CORNER

Width	33½	Seat Height	19¼	Weight	45
Depth	33½			Cubic Ft.	31.9
Height	32½				

- Contrasting fabric option – specify X (i.e., N95MJAX); see page 478. For list pricing, use your electronic specification tool or contact customer service
- Stripes and plaids are not recommended as the fabrics may not align at the seams

SWIFT

90° CORNER UNIT TO ORDER, SPECIFY:

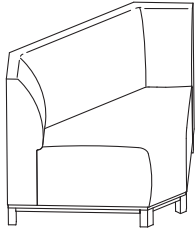
1. Model Number
2. Fabric Grade Number
3. Cover Number
4. Finish Designator
5. Frame Color

PULL-UP TABLE TO ORDER, SPECIFY:

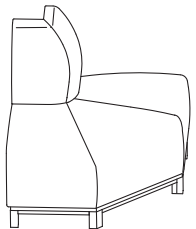
1. Model Number
2. Laminate or Finish
3. Paint

• See page 477 for Swift options
See pages 497-500 for COM fabric yardage

90° CORNER UNIT



90° Inside Corner



90° Outside Corner

MODEL NO.

GRADE / LIST PRICE

		1	2/COM	3/COL	4	5	6	7	L7	L8
N95MK	Inside Corner	\$ 3422	3560	3620	3723	3831	4020	4269	5456	5834
N95MKA	Outside Corner	3422	3521	3565	3639	3717	3853	4033	4888	5161

DIMENSIONS - INSIDE CORNER

Width	50½	Seat Height	19¾	Weight	56
Depth	30			Cubic Ft.	31.9
Height	32½				

DIMENSIONS - OUTSIDE CORNER

Width	48¾	Seat Height	19¾	Weight	56
Depth	33¾			Cubic Ft.	36.9
Height	32½				

- Contrasting fabric option – specify X (i.e., N95MKAX); see page 478. For list pricing, use your electronic specification tool or contact customer service
- Stripes and plaids are not recommended as the fabrics may not align at the seams

PERSONAL PULL-UP TABLE



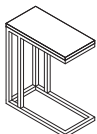
10N1622RTPUW	Wood	\$ 1336
10N1622RTPUL	Laminate	1336

DIMENSIONS

Width	22	Weight	32
Depth	13¾	Cubic Ft.	9.25
Height	28½		

- 50 lb. weight limit
- Specify metal finish (423) Concrete, (462) Cinder, (463) Iron, (501) Platinum Metallic, or (503) Satin Nickel Metallic
- Veneer species is maple
- Acorn is the laminate/wood complement to Clear Walnut
- NON-CONTRACT/OPEN MARKET

PERSONAL PULL-UP TABLE



White Marble



Black Marble

10N1120RTPU2SS	White Marble	\$ 942
10N1620RTPU2SB	Black Marble	942

DIMENSIONS - WHITE MARBLE

Width	20	Weight	30
Depth	11	Cubic Ft.	5
Height	25		

DIMENSIONS - BLACK MARBLE

Width	20	Weight	30
Depth	16	Cubic Ft.	6.95
Height	25		

- 50 lb. weight limit
- White Marble model has a Platinum Metallic base; Black Marble model has a Cinder base
- 10N1620RTPU2SB top material is Porcelain with pattern Nero Marquina
- 10N1120RTPU2SS top material is Natural Marble species of Bianco Crown Marble
- Specify model number only



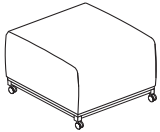
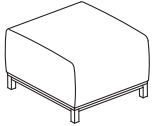
Shaded models are available through our Quick Delivery program and will be delivered within 10 days or less. Shaded models that feature the 48 icon will ship within 48 hours (48). See page 8 for additional program information.

TO ORDER, SPECIFY:

1. Model Number
2. Fabric Grade Number
3. Cover Number
4. Finish Designator
5. Frame Color

- See page 477 for Swift options
- See pages 497-500 for COM fabric yardage

1 SEAT BENCH



Mobile

MODEL NO.

GRADE / LIST PRICE

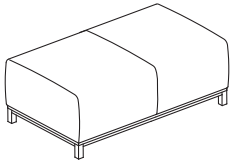
		1	2/COM	3/COL	4	5	6	7	L7	L8
N95DD	1 Seat Bench	\$ 1827	1910	1947	2009	2074	2188	2339	3057	3286
QN95DD	1 Seat Bench	1827	1910	1947	2009	2074	2188	2339		
N95DDC	1 Seat Bench - Mobile	2034	2117	2154	2216	2281	2395	2546	3264	3493
QN95DDC	1 Seat Bench - Mobile	2034	2117	2154	2216	2281	2395	2546		

DIMENSIONS

Width	26¼								Weight	35
Depth	30								Cubic Ft.	16.7
Height	19¼									

- Contrasting fabric option – specify X (i.e., N95DDX); see page 478. For list pricing, use your electronic specification tool or contact customer service
- Railroaded fabrics will require a seam on the front and back edges of bench

2 SEAT BENCH



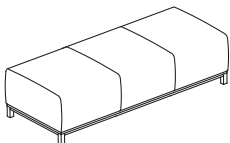
		1	2/COM	3/COL	4	5	6	7	L7	L8
N95EE	2 Seat Bench	\$ 2522	2631	2678	2760	2845	2995	3192	4130	4429

DIMENSIONS

Width	51½								Weight	65
Depth	30								Cubic Ft.	29.4
Height	19¼									

- Contrasting fabric option – specify X (i.e., N95EEEX); see page 478. For list pricing, use your electronic specification tool or contact customer service
- Railroaded fabrics will require a seam on the front and back edges of bench

3 SEAT BENCH



		1	2/COM	3/COL	4	5	6	7	L7	L8
N95GG	3 Seat Bench	\$ 3219	3408	3490	3632	3780	4039	4381	6010	6529

DIMENSIONS

Width	76								Weight	95
Depth	30								Cubic Ft.	44.8
Height	19¼									

- Contrasting fabric option – specify X (i.e., N95GGX); see page 478. For list pricing, use your electronic specification tool or contact customer service
- Railroaded fabrics will require a seam on the front and back edges of bench

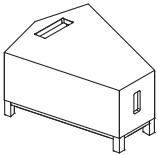
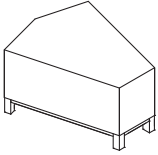
SWIFT

TO ORDER, SPECIFY:

• See page 477 for Swift options

1. Model Number
2. Surface Grommet
3. Side Grommet
4. Wood/Laminate Finish
5. Frame Color

30° TABLE



Optional Surface and Side Grommet Locations

MODEL NO.

LIST PRICE

N95KKW	Wood	\$ 2006
N95KKL	Laminate	1883

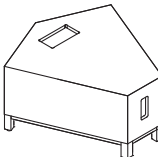
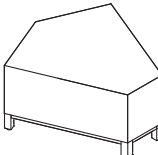
DIMENSIONS

Width	25
Depth	30¼
Height	16½

Weight	40
Cubic Ft.	12.6

- Power grommet sold separately; reference pages 647-648 for pricing and details
- Optional surface grommet cutout available in G12, G17, and G23 cutout (+30 list)
- Optional side grommet cutout available in G23 cutout (+30 list)

45° TABLE



Optional Surface and Side Grommet Locations

N95LLW	Wood	\$ 2170
N95LLL	Laminate	2047

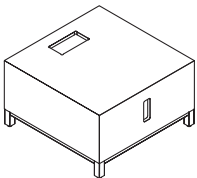
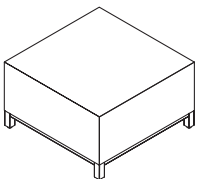
DIMENSIONS

Width	31½
Depth	32¼
Height	16½

Weight	45.2
Cubic Ft.	16.3

- Power grommet sold separately; reference pages 647-648 for pricing and details
- Optional surface grommet cutout available in G12, G17, and G23 cutout (+30 list)
- Optional side grommet cutout available in G23 cutout (+30 list)

90° TABLE



Optional Surface and Side Grommet Locations

N95NNW	Wood	\$ 2252
N95NNL	Laminate	2130

DIMENSIONS

Width	28
Depth	28
Height	16½

Weight	47.8
Cubic Ft.	13.1

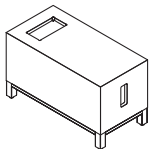
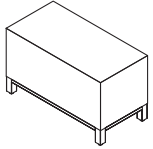
- Power grommet sold separately; reference pages 647-648 for pricing and details
- Optional surface grommet cutout available in G12, G17, and G23 cutout (+30 list)
- Optional side grommet cutout available in G23 cutout (+30 list)

TO ORDER, SPECIFY:

• See page 477 for Swift options

1. Model Number
2. Surface Grommet
3. Side Grommet
4. Wood/Laminate Finish
5. Frame Color

SMALL END TABLE



Optional Surface and Side Grommet Locations

MODEL NO.

LIST PRICE

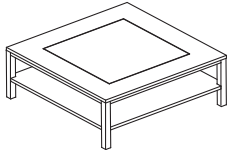
N95PPW	Wood	\$ 1677
N95PPL	Laminate	1556

DIMENSIONS

Width	14	Weight	31.8
Depth	28	Cubic Ft.	7.5
Height	16½		

- Power grommet sold separately; reference pages 647-648 for pricing and details
- Optional surface grommet cutout available in G12, G17, and G23 cutout (+30 list)
- Optional side grommet cutout available in G23 cutout (+30 list)

COFFEE TABLE



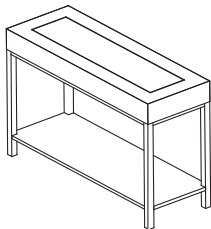
N95RRW	Wood	\$ 2619
N95RRL	Laminate	2500

DIMENSIONS

Width	36	Weight	70
Depth	36	Cubic Ft.	16.8
Height	13¾		

- Power grommet option not available
- Frosted ¾" thick glass insert

CONSOLE TABLE



N95SSW	Wood	\$ 2799
N95SSL	Laminate	2677

DIMENSIONS

Width	50	Weight	74.2
Depth	18	Cubic Ft.	26.4
Height	33½		

- Power grommet option not available
- Frosted ¾" thick glass insert



Shaded models are available through our Quick Delivery program and will be delivered within 10 days or less. Shaded models that feature the 48 icon will ship within 48 hours (48). See page 8 for additional program information.

TO ORDER, SPECIFY:

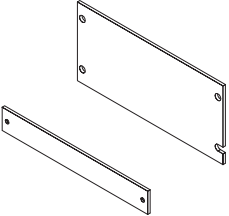
• See page 477 for Swift options

1. Model Number
2. Surface Grommet
3. Side Grommet
4. Wood/Laminate Finish
5. Frame Color

GANGING BRACKET KIT

MODEL NO.

LIST PRICE



N95TR	1 Bracket Kit	\$ 116
-------	---------------	--------

DIMENSIONS

Weight	2
Cubic Ft.	0.05

- Ganging bracket recommended for use in static applications for rigid ganging
- Ganging bracket intended for armless-to-armless or armless-to-table connections
- 1 bracket kit used for each connection

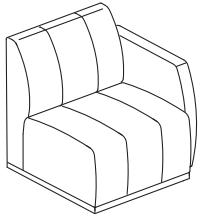
TO ORDER, SPECIFY:

1. Model Number
2. Ganging
3. Fabric Grade Number
4. Cover Number

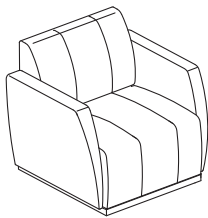
• See page 477 for Swift options

See pages 497-500 for COM fabric yardage

**1 SEAT LOUNGE
VERTICAL TUFT
PLINTH BASE**



Left Arm



Arms

**MODEL
NO.**

GRADE / LIST PRICE

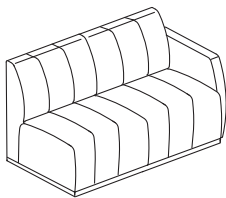
		1	2/COM	3/COL	4	5	6	7	L7	L8
N95MATP	Armless	\$ 2359	2487	2543	2639	2739	2915	3147	4251	4603
N95MARTP	Right Arm	2686	2852	2925	3050	3180	3409	3710	5146	5603
N95MALTP	Left Arm	2686	2852	2925	3050	3180	3409	3710	5146	5603
N95AATP	Arms	3071	3282	3375	3533	3698	3988	4371	6193	6774

DIMENSIONS

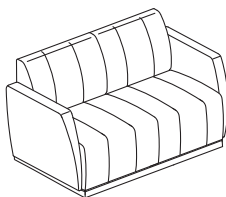
Armless Width	26½	Seat Width	26½	Arm Height	24¼	Armless Weight	49
Single Arm Width	29½	Seat Depth	21¼	Back Height	29½	Single Arm Weight	67
Arm Width	32	Seat Height	16¼	Back Width	26½	Arm Weight	78
Depth	31					Armless Cubic Ft.	17.9
Height	29½					Single Arm Cubic Ft.	19.8
						Arm Cubic Ft.	21.7

• Contrasting fabric option – specify X (i.e., N95MATPX); see page 479. For list pricing, use your electronic specification tool or contact customer service

**2 SEAT LOUNGE
VERTICAL TUFT
PLINTH BASE**



Left Arm



Arms

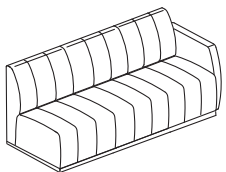
		1	2/COM	3/COL	4	5	6	7	L7	L8
N95MBTP	Armless	\$ 3422	3636	3730	3891	4059	4353	4742	6591	7181
N95MBRTP	Right Arm	3749	3995	4103	4288	4481	4819	5266	7391	8069
N95MBLTP	Left Arm	3749	3995	4103	4288	4481	4819	5266	7391	8069
N95BBTP	Arms	4137	4412	4533	4739	4954	5332	5831	8205	8962

DIMENSIONS

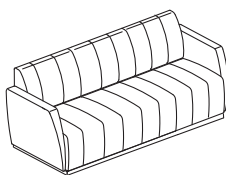
Armless Width	51½	Seat Width	51½	Arm Height	24¼	Armless Weight	84
Single Arm Width	55¼	Seat Depth	21¼	Back Height	29½	Single Arm Weight	113
Arm Width	59¼	Seat Height	16¼	Back Width	51½	Arm Weight	120
Depth	31					Armless Cubic Ft.	34.7
Height	29½					Single Arm Cubic Ft.	37.2
						Arm Cubic Ft.	39.8

• Contrasting fabric option – specify X (i.e., N95MBTPX); see page 479. For list pricing, use your electronic specification tool or contact customer service

**3 SEAT LOUNGE
VERTICAL TUFT
PLINTH BASE**



Left Arm



Arms

		1	2/COM	3/COL	4	5	6	7	L7	L8
N95MCTP	Armless	\$ 4487	4791	4924	5152	5390	5808	6359	8981	9817
N95MCRTP	Right Arm	4814	5150	5297	5549	5812	6274	6883	9781	10705
N95MCLTP	Left Arm	4814	5150	5297	5549	5812	6274	6883	9781	10705
N95CCTP	Arms	5198	5563	5722	5996	6281	6783	7444	10590	11593

DIMENSIONS

Armless Width	76	Seat Width	79½	Arm Height	24¼	Armless Weight	141
Single Arm Width	79½	Seat Depth	21¼	Back Height	29½	Single Arm Weight	148
Arm Width	83	Seat Height	16¼	Back Width	79½	Arm Weight	155
Depth	31					Armless Cubic Ft.	56.9
Height	29½					Single Arm Cubic Ft.	54.3
						Arm Cubic Ft.	56.9

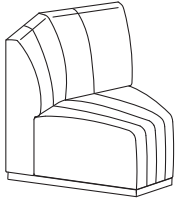
• Contrasting fabric option – specify X (i.e., N95MCTPX); see page 479. For list pricing, use your electronic specification tool or contact customer service

TO ORDER, SPECIFY:

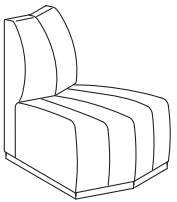
1. Model Number
2. Ganging
3. Fabric Grade Number
4. Cover Number

• See page 477 for Swift options
See pages 497-500 for COM fabric yardage

**30° CORNER LOUNGE
VERTICAL TUFT
PLINTH BASE**



30° Inside Corner



30° Outside Corner

**MODEL
NO.**

GRADE / LIST PRICE

		1	2/COM	3/COL	4	5	6	7	L7	L8
N95MHTP	Inside Corner	\$ 2277	2386	2433	2515	2600	2750	2947	3885	4184
N95MHATP	Outside Corner	2277	2386	2433	2515	2600	2750	2947	3885	4184

DIMENSIONS - INSIDE CORNER

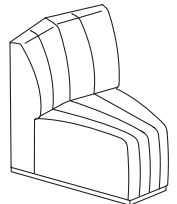
Width	25¾	Seat Height	16¼	Weight	40
Depth	32	Back Height	29½	Cubic Ft.	19.3
Height	29½				

DIMENSIONS - OUTSIDE CORNER

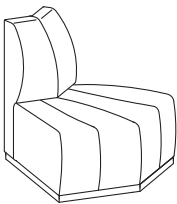
Width	27	Seat Height	16¼	Weight	40
Depth	31	Back Height	29½	Cubic Ft.	19.3
Height	29½				

• Contrasting fabric option – specify X (i.e., N95MHATPX); see page 479. For list pricing, use your electronic specification tool or contact customer service

**45° CORNER LOUNGE
VERTICAL TUFT
PLINTH BASE**



45° Inside Corner



45° Outside Corner

		1	2/COM	3/COL	4	5	6	7	L7	L8
N95MJTP	Inside Corner	\$ 2645	2776	2834	2932	3035	3215	3453	4584	4945
N95MJATP	Outside Corner	2645	2757	2806	2890	2978	3132	3335	4301	4609

DIMENSIONS - INSIDE CORNER

Width	32½	Seat Height	16¼	Weight	45
Depth	32½	Back Height	29½	Cubic Ft.	26.2
Height	29½				

DIMENSIONS - OUTSIDE CORNER

Width	33½	Seat Height	16¼	Weight	45
Depth	33½	Back Height	29½	Cubic Ft.	26.2
Height	29½				

• Contrasting fabric option – specify X (i.e., N95MJATPX); see page 479. For list pricing, use your electronic specification tool or contact customer service

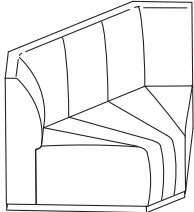
TO ORDER, SPECIFY:

1. Model Number
2. Ganging
3. Fabric Grade Number
4. Cover Number

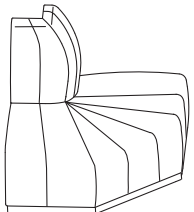
• See page 477 for Swift options

See pages 497-500 for COM fabric yardage

**90° CORNER LOUNGE
VERTICAL TUFT
PLINTH BASE**



90° Inside Corner



90° Outside Corner

**MODEL
NO.**

GRADE / LIST PRICE

		1	2/COM	3/COL	4	5	6	7	L7	L8
N95MKTP	Inside Corner	\$ 3422	3585	3657	3779	3907	4131	4427	5834	6283
N95MKATP	Outside Corner	3422	3556	3615	3716	3821	4006	4249	5409	5778

DIMENSIONS - INSIDE CORNER

Width	50½	Seat Height	16¼	Weight	56
Depth	30	Back Height	29½	Cubic Ft.	30
Height	29½				

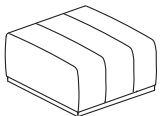
• Contrasting fabric option – specify X (i.e., N95MKATPX); see page 479. For list pricing, use your electronic specification tool or contact customer service

DIMENSIONS - OUTSIDE CORNER

Width	48¾	Seat Height	16¼	Weight	56
Depth	33¾	Back Height	29½	Cubic Ft.	30
Height	29½				

• Contrasting fabric option – specify X (i.e., N95MKATPX); see page 479. For list pricing, use your electronic specification tool or contact customer service

**1 SEAT BENCH
VERTICAL TUFT
PLINTH BASE**



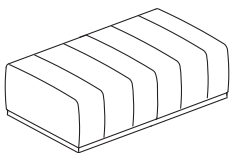
		1	2/COM	3/COL	4	5	6	7	L7	L8
N95DDTP	1 Seat Bench	\$ 1827	1923	1965	2037	2112	2244	2418	3246	3510

DIMENSIONS

Width	26¼	Weight	35
Depth	30	Cubic Ft.	10.9
Height	16¼		

• Contrasting fabric option – specify X (i.e., N95DDTPX); see page 479. For list pricing, use your electronic specification tool or contact customer service

**2 SEAT BENCH
VERTICAL TUFT
PLINTH BASE**



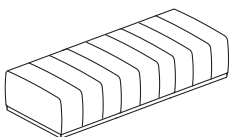
		1	2/COM	3/COL	4	5	6	7	L7	L8
N95EETP	2 Seat Bench	\$ 2522	2656	2715	2816	2921	3106	3349	4509	4878

DIMENSIONS

Width	51½	Weight	65
Depth	30	Cubic Ft.	21.6
Height	16¼		

• Contrasting fabric option – specify X (i.e., N95EETPX); see page 479. For list pricing, use your electronic specification tool or contact customer service

**3 SEAT BENCH
VERTICAL TUFT
PLINTH BASE**



		1	2/COM	3/COL	4	5	6	7	L7	L8
N95GGTP	3 Seat Bench	\$ 3219	3446	3546	3716	3894	4206	4618	6577	7202

DIMENSIONS

Width	76	Weight	95
Depth	30	Cubic Ft.	32.3
Height	16¼		

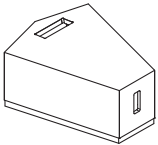
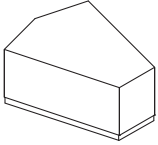
• Contrasting fabric option – specify X (i.e., N95GGTPX); see page 479. For list pricing, use your electronic specification tool or contact customer service

TO ORDER, SPECIFY:

• See page 477 for Swift options

1. Model Number
2. Surface Grommet
3. Side Grommet
4. Ganging
5. Wood/Laminate Finish

**30° TABLE
PLINTH BASE**



**MODEL
NO.**

LIST PRICE

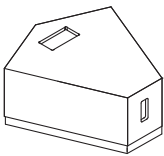
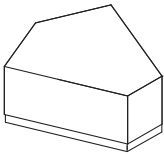
N95KKWP	Wood	\$ 2006
N95KKLP	Laminate	1883

DIMENSIONS

Width	25	Weight	40
Depth	30¼	Cubic Ft.	12.6
Height	16½		

• Optional surface and side grommet locations are available

**45° TABLE
PLINTH BASE**



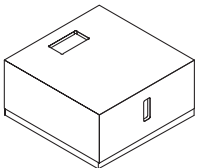
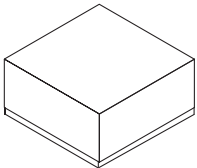
N95LLWP	Wood	\$ 2170
N95LLLP	Laminate	2047

DIMENSIONS

Width	31½	Weight	45.2
Depth	32¼	Cubic Ft.	16.3
Height	16½		

• Optional surface and side grommet locations are available

**90° TABLE
PLINTH BASE**



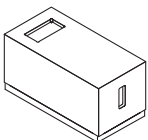
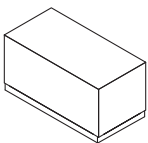
N95NNWP	Wood	\$ 2252
N95NNLP	Laminate	2130

DIMENSIONS

Width	28	Weight	47.8
Depth	28	Cubic Ft.	13.1
Height	16½		

• Optional surface and side grommet locations are available

**SMALL END TABLE
PLINTH BASE**

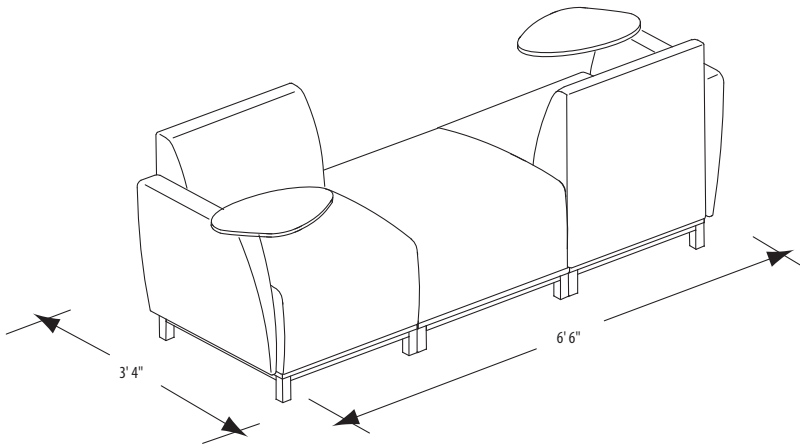


N95PPWP	Wood	\$ 1677
N95PPLP	Laminate	1556

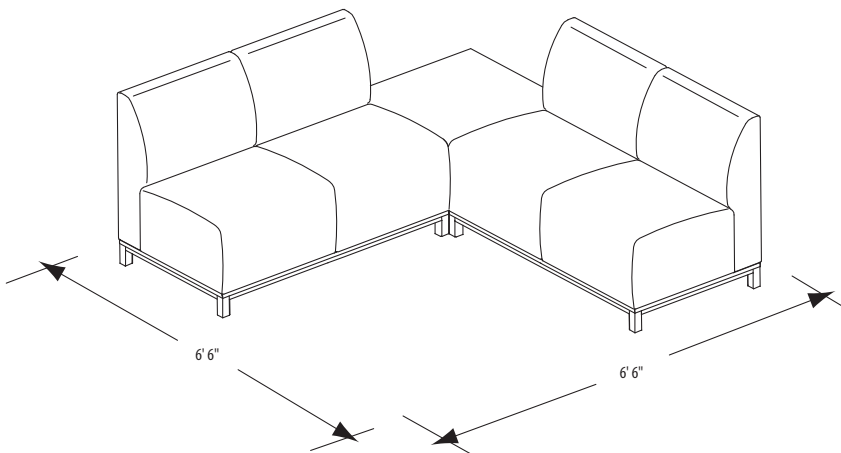
DIMENSIONS

Width	14	Weight	31.8
Depth	28	Cubic Ft.	7.5
Height	16½		

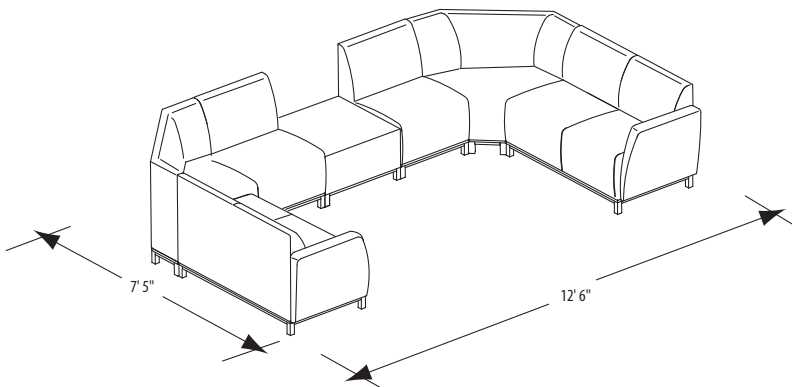
• Optional surface and side grommet locations are available



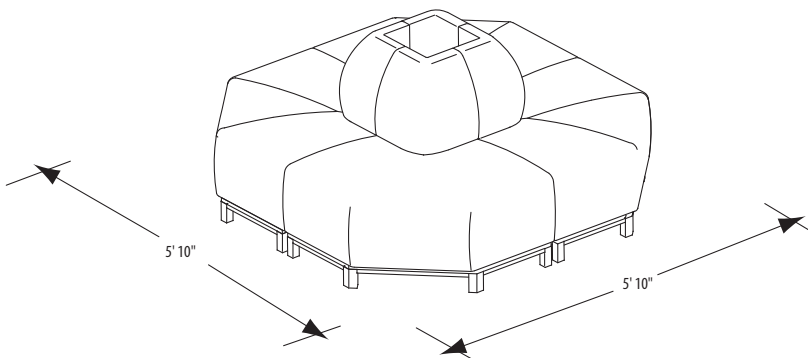
MODEL NO.	QUANTITY	DESCRIPTION	GRADE 1 LIST PRICE
N95MART	(2)	Tablet Right Arm	\$ 3057 ea
N95DD	(1)	1 Seat Bench	1827
N95TR	(2)	Ganging Bracket Kit	116 ea
Total			\$ 8173



MODEL NO.	QUANTITY	DESCRIPTION	GRADE 1 LIST PRICE
N95MB	(2)	Armless 2 Seat Lounge	\$ 3422 ea
N95NNW	(1)	90° Table, Wood	2252
N95TR	(2)	Ganging Bracket Kit	116 ea
Total			\$ 9328

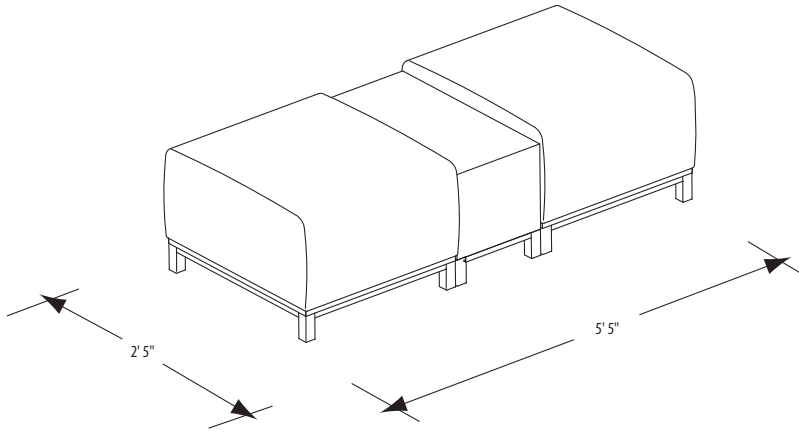


MODEL NO.	QUANTITY	DESCRIPTION	GRADE 1 LIST PRICE
N95MBR	(1)	2 Seat Right Arm	\$ 3749
N95MK	(2)	90° Inside Corner	3422 ea
N95MA	(2)	1 Seat Armless	2359 ea
N95MBL	(1)	2 Seat Left Arm	3749
N95NNW	(1)	90° Table, Wood	2252
N95TR	(6)	Ganging Bracket Kit	116 ea
Total			\$ 22,008

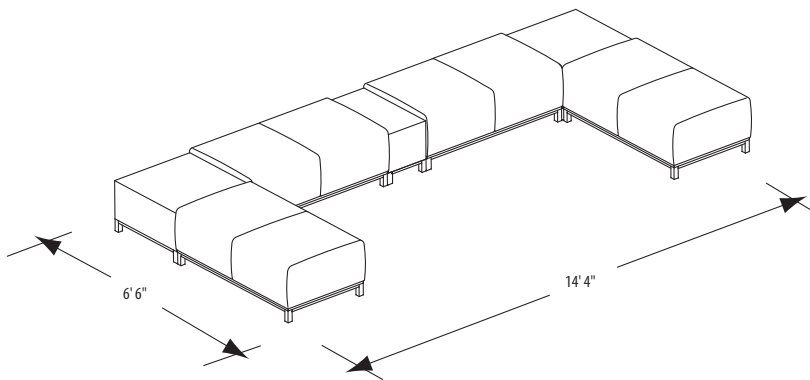


MODEL NO.	QUANTITY	DESCRIPTION	GRADE 1 LIST PRICE
N95MKA	(4)	90° Outside Corner	\$ 3422 ea
N95TR	(4)	Ganging Bracket Kit	116 ea
Total			\$ 14,152

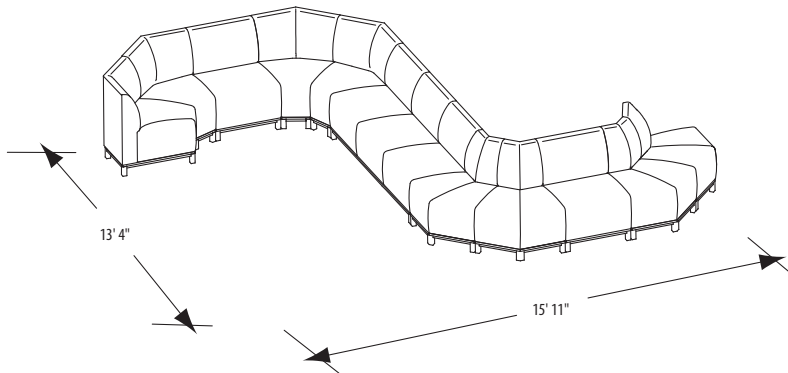
SWIFT



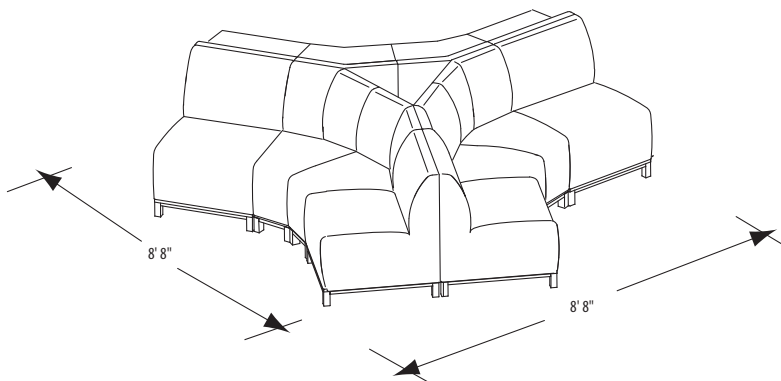
MODEL NO.	QUANTITY	DESCRIPTION	GRADE 1 LIST PRICE
N95DD	(2)	1 Seat Bench	\$ 1827 ea
N95PPW	(1)	Small End Table, Wood	1677
N95TR	(2)	Ganging Bracket Kit	116 ea
Total			\$ 5563



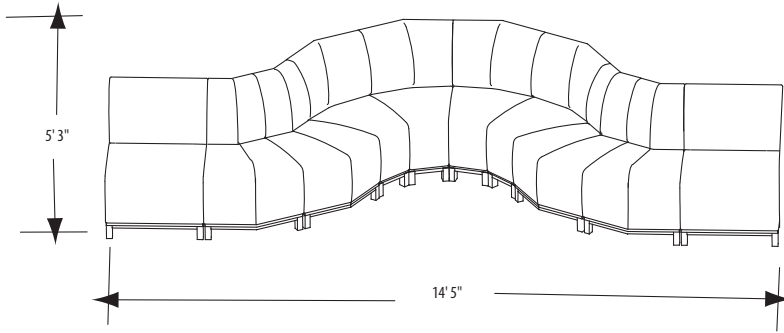
MODEL NO.	QUANTITY	DESCRIPTION	GRADE 1 LIST PRICE
N95EE	(4)	2 Seat Bench	\$ 2522 ea
N95NNW	(2)	90° Table, Wood	2252 ea
N95PPW	(1)	Small End Table, Wood	1677
N95TR	(6)	Ganging Bracket Kit	116 ea
Total			\$ 16,965



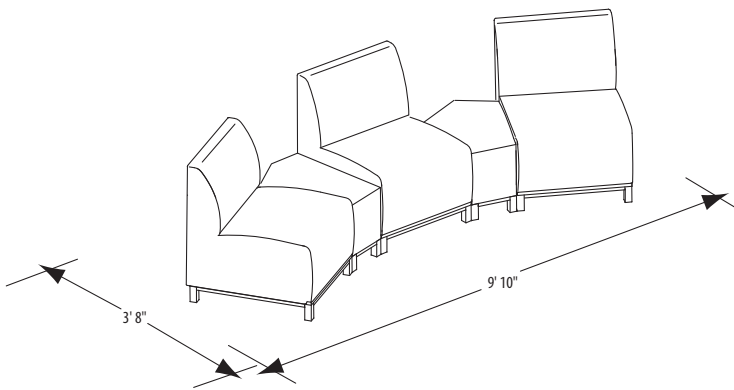
MODEL NO.	QUANTITY	DESCRIPTION	GRADE 1 LIST PRICE
N95MJ	(4)	45° Inside Corner	\$ 2645 ea
N95MJA	(4)	45° Outside Corner	2645 ea
N95MA	(2)	1 Seat Armless	2359 ea
N95MC	(1)	3 Seat Armless	4487
N95TR	(10)	Ganging Bracket Kit	116 ea
Total			\$ 31,525



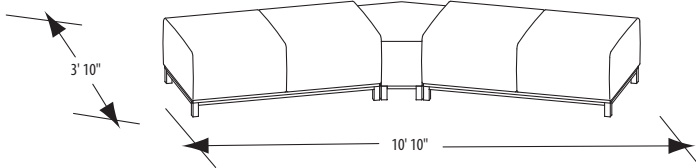
MODEL NO.	QUANTITY	DESCRIPTION	GRADE 1 LIST PRICE
N95MA	(6)	1 Seat Armless	\$ 2359 ea
N95MH	(6)	30° Inside Corner	2277 ea
N95TR	(9)	Ganging Bracket Kit	116 ea
Total			\$ 28,860



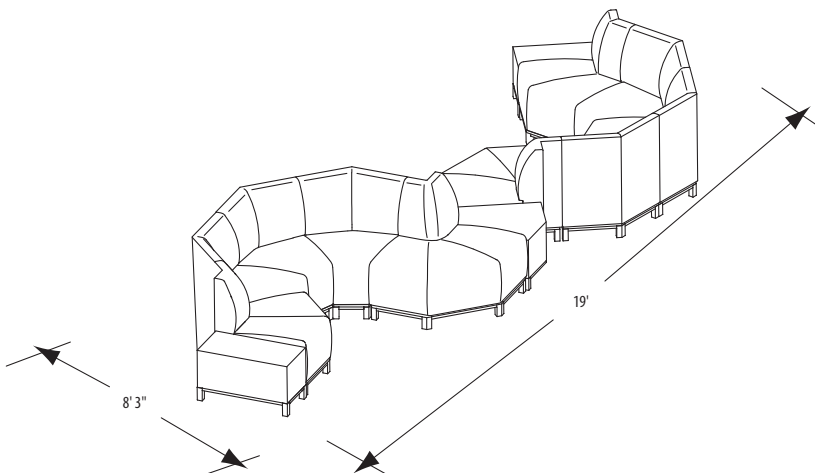
MODEL NO.	QUANTITY	DESCRIPTION	GRADE 1 LIST PRICE
N95MA	(2)	1 Seat Armless	\$ 2359 ea
N95MHA	(4)	30° Outside Corner	2277 ea
N95MH	(4)	30° Inside Corner	2277 ea
N95TR	(9)	Ganging Bracket Kit	116 ea
Total			\$ 23,978



MODEL NO.	QUANTITY	DESCRIPTION	GRADE 1 LIST PRICE
N95MA	(3)	1 Seat Armless	\$ 2359 ea
N95KKW	(2)	30° Corner Table	2006 ea
N95TR	(4)	Ganging Bracket Kit	116 ea
Total			\$ 11,553

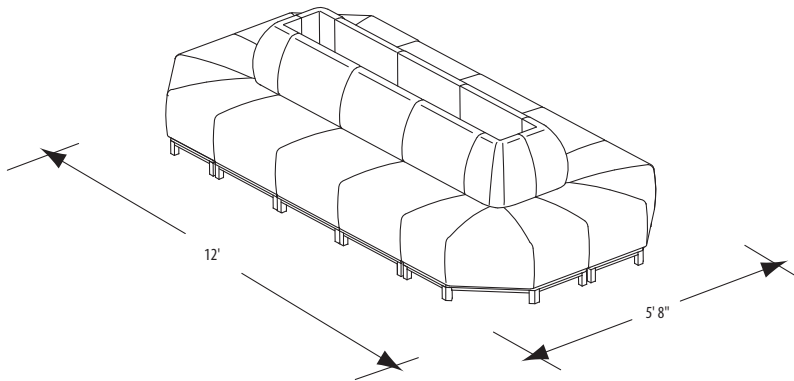


MODEL NO.	QUANTITY	DESCRIPTION	GRADE 1 LIST PRICE
N95EE	(2)	2 Seat Bench	\$ 2522 ea
N95KKW	(1)	30° Corner Table	2006
N95TR	(2)	Ganging Bracket Kit	116 ea
Total			\$ 7282

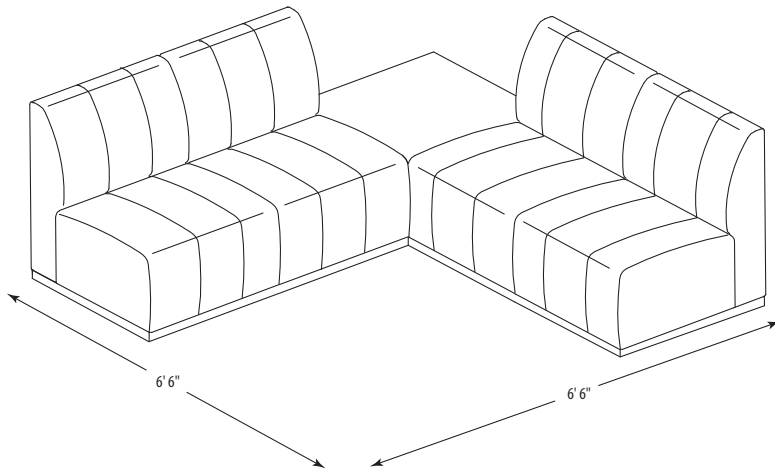


MODEL NO.	QUANTITY	DESCRIPTION	GRADE 1 LIST PRICE
N95PPW	(2)	Small End Table, Wood	\$ 1677 ea
N95MJA	(2)	45° Outside Corner Unit	2645 ea
N95MJ	(6)	45° Inside Corner Unit	2645 ea
N95MKA	(2)	90° Outside Corner Unit	3422 ea
N95KKW	(1)	30° Corner Table	2006
N95TR	(11)	Ganging Bracket Kit	116 ea
Total			\$ 34,640

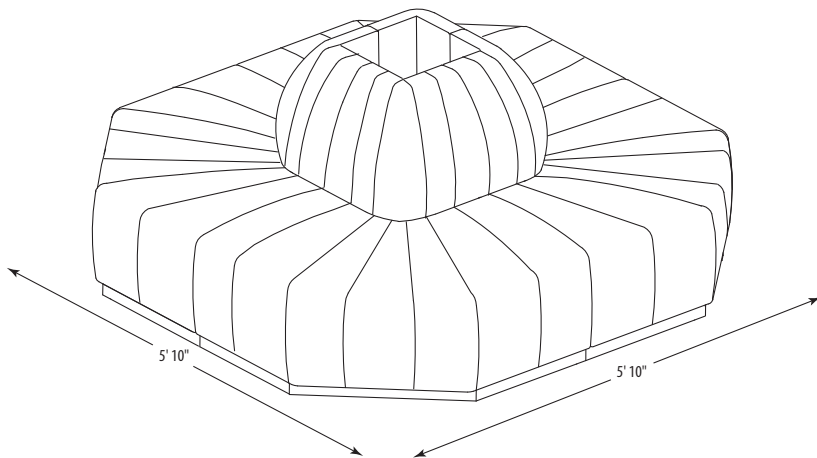
SWIFT



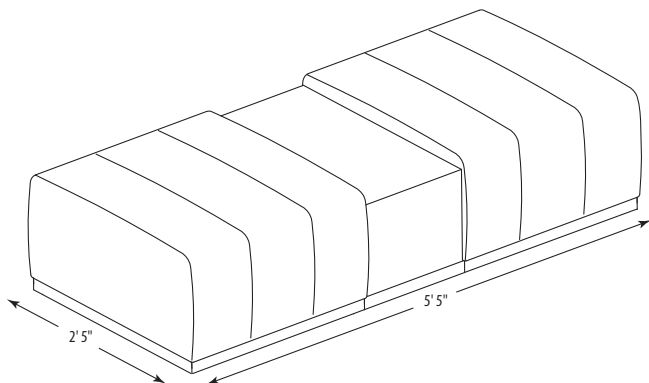
MODEL NO.	QUANTITY	DESCRIPTION	GRADE 1 LIST PRICE
N95MKA	(4)	90° Outside Corner Unit	\$ 3422 ea
N95MA	(6)	1 Seat Armless	2359 ea
N95TR	(20)	Ganging Bracket Kit	116 ea
Total			\$ 30,162



MODEL NO.	QUANTITY	DESCRIPTION	GRADE 1 LIST PRICE
N95MBTP	(2)	Armless 2 Seat Lounge Vertical Tuft Plinth Base (Price includes Ganging Left (L) and Ganging Right (R) Options +\$63 each)	\$ 3485 ea
N95NNWP	(1)	90° Table Plinth Base, Wood (Price includes Ganging Left and Right (LR) Option \$126)	2378
Total			\$ 9348



MODEL NO.	QUANTITY	DESCRIPTION	GRADE 1 LIST PRICE
N95MKATP	(4)	90° Outside Corner (Price includes Vertical Plinth Base Ganging Left and Right (LR) Option \$126 each)	\$ 3548 ea
Total			\$ 14,192



MODEL NO.	QUANTITY	DESCRIPTION	GRADE 1 LIST PRICE
N95DDTP	(2)	One Seat Bench Vertical Stitch Plinth Base (Price includes Ganging Left (L) and Ganging Right (R) Options +\$63 each)	\$ 1890 ea
N95PPWP	(1)	Small End Table Plinth Base, Wood (Price includes Ganging Left and Right (LR) Option \$126)	1803
Total			\$ 5583

COM YARDAGE REQUIREMENTS

COM YARDAGE REQUIREMENTS (54" WIDTH – CUT UP THE ROLL)

MODEL	RAILROADED Contact customer service 800-482-1717 for ydg requirements	NON DIRECTIONAL OR SOLID	1"-4" REPEAT	5"-11" REPEAT	12"-18" REPEAT	COL SQUARE FEET
			4" VERTICAL X 4" HORIZONTAL	11" VERTICAL X 11" HORIZONTAL	18" VERTICAL X 18" HORIZONTAL	
N95AA, N95AAC, N95AAL, N95AALC, N95AAR, N95AARC		5.80	7.00	8.40	9.50	116
N95AATP	Complete	6.90	8.00	9.90	10.60	136
N95AAX, N95AACX, N95AALX, N95AALCX, N95AARX, N95AARCX	Back	0.90	1.00	1.10	1.00	8
	Extreme	1.00	1.00	1.20	1.10	9
	Back Accent	1.00	1.00	1.20	1.10	6
	Seat	1.30	1.40	1.80	1.70	12
	Seat Accent	1.00	1.00	1.20	1.30	17
	Arm	2.50	2.80	3.80	4.00	48
N95AATPX	Back	1.20	1.20	1.50	2.10	23
	Extreme	1.00	1.00	1.20	1.10	9
	Back Accent	1.00	1.00	1.20	1.80	11
	Seat	1.70	1.80	2.10	2.30	33.50
	Seat Accent	1.00	1.30	1.50	1.80	19
	Arm	2.50	3.20	4.50	4.30	48.50
N95BB, N95BBB, N95BBL, N95BBR		7.00	10.60	12.70	13.90	140
N95BBTP	Complete	10.40	11.60	13.90	14.10	205
N95BBX, N95BBBX, N95BBLX, N95BBRX	Back	1.40	1.70	2.00	2.00	26
	Extreme	1.80	1.90	2.10	2.10	34
	Back Accent	1.00	1.00	1.20	1.10	6
	Seat	1.90	3.40	4.00	4.30	35
	Seat Accent	1.00	1.00	1.20	1.30	17
	Arm	2.50	2.80	3.80	4.00	48
N95BBTPX	Back	2.20	2.30	2.70	3.60	44
	Extreme	1.80	1.90	2.10	2.10	34
	Back Accent	1.00	1.00	1.20	1.80	11
	Seat	3.30	3.50	3.90	4.30	65
	Seat Accent	1.00	1.30	1.50	1.80	19
	Arm	2.50	3.20	4.50	4.30	48.50
N95CC, N95CCB, N95CCL, N95CCR		9.00	14.10	16.30	18.40	179
N95CCTP	Complete	13.80	15.10	17.90	18.10	273
N95CCTPX	Back	3.30	3.50	3.90	5.10	64.50
	Extreme	2.60	2.80	3.00	3.00	50.50
	Back Accent	1.00	1.00	1.20	1.80	11
	Seat	4.90	5.20	5.70	6.30	96.50
	Seat Accent	1.00	1.30	1.50	1.80	19
	Arm	2.50	3.20	4.50	4.30	48.50
N95CCX, N95CCBX, N95CCLX, N95CCRX	Back	1.70	2.50	3.00	3.00	31
	Extreme	2.60	2.80	3.00	3.00	50.50
	Back Accent	1.00	1.00	1.20	1.10	6
	Seat	3.00	5.30	6.10	6.80	58
	Seat Accent	1.00	1.20	1.20	1.30	17
	Arm	2.50	2.80	3.80	4.00	48
N95DD, N95DDC		2.60	2.90	3.20	3.50	52
N95DDX, N95DDCX	Seat	1.70	1.80	1.80	1.90	22.50
	Seat Accent	1.00	1.00	1.30	1.40	18
N95EE		3.40	5.50	6.20	6.50	68
N95EEX	Seat	2.60	4.50	4.90	5.40	49.25
	Seat Accent	1.00	1.00	1.30	1.40	18
N95GG		5.90	8.00	9.30	9.50	118
N95GGX	Seat	5.00	7.00	8.00	8.40	98
	Seat Accent	1.00	1.00	1.30	1.40	18
N95MA, N95MAC		3.20	4.30	5.00	5.40	64
N95MAL, N95MALT, N95MAR, N95MART		4.20	5.70	6.60	7.40	84
N95MALTP, N95MARTP	Complete	5.80	6.50	8.15	9.05	115.20

COM YARDAGE REQUIREMENTS

COM YARDAGE REQUIREMENTS (54" WIDTH – CUT UP THE ROLL)

MODEL	RAILROADED Contact customer service 800-482-1717 for ydg requirements	NON DIRECTIONAL OR SOLID	1"-4" REPEAT	5"-11" REPEAT	12"-18" REPEAT	COL SQUARE FEET
			4" VERTICAL X 4" HORIZONTAL	11" VERTICAL X 11" HORIZONTAL	18" VERTICAL X 18" HORIZONTAL	
N95MALTPX, N95MARTPX	Back	1.20	1.20	1.50	2.10	23
	Extreme	1.00	1.00	1.20	1.10	9
	Back Accent	1.00	1.00	1.20	1.80	11
	Seat	1.70	1.80	2.10	2.30	33.50
	Seat Accent	1.00	1.30	1.50	1.80	19
	Arm	1.40	1.70	2.75	2.75	28
N95MALX, N95MALT, N95MARX, N95MARTX	Back	0.90	1.00	1.10	1.00	8
	Extreme	1.00	1.00	1.20	1.10	9
	Back Accent	1.00	1.00	1.20	1.10	6
	Seat	1.30	1.40	1.80	1.70	12
	Seat Accent	1.00	1.00	1.20	1.30	17
	Arm	1.50	1.50	2.00	2.00	27
N95MAX, N95MACX	Back	0.90	1.00	1.10	1.00	8
	Extreme	1.00	1.00	1.20	1.10	9
	Back Accent	1.00	1.00	1.20	1.10	6
	Seat	1.30	1.40	1.80	1.70	12
	Seat Accent	1.00	1.00	1.20	1.30	17
N95MB		5.10	7.90	9.30	9.90	102
N95MBL, N95MBLT, N95MBR, N95MBRT		6.10	9.20	10.50	11.90	122
N95MBLTP, N95MBRTP	Complete	9.30	10.10	12.15	12.55	184
N95MBLTPX, N95MBRTPX	Back	2.20	2.30	2.70	3.60	44
	Extreme	1.80	1.90	2.10	2.10	34
	Back Accent	1.00	1.00	1.20	1.80	11
	Seat	3.30	3.50	3.90	4.30	65
	Seat Accent	1.00	1.30	1.50	1.80	19
	Arm	1.40	1.70	2.75	2.75	28
N95MBLX, N95MBLT, N95MBRX, N95MBRTX	Back	1.40	1.70	2.00	2.00	26
	Extreme	1.80	1.90	2.10	2.10	34
	Back Accent	1.00	1.00	1.20	1.10	6
	Seat	1.90	3.40	4.00	4.30	35
	Seat Accent	1.00	1.00	1.20	1.30	17
	Arm	1.50	1.50	2.00	2.00	27
N95MBX	Back	1.40	1.70	2.00	2.00	26
	Extreme	1.80	1.90	2.10	2.10	34
	Back Accent	1.00	1.00	1.20	1.10	6
	Seat	1.90	3.40	4.00	4.30	35
	Seat Accent	1.00	1.00	1.20	1.30	17
N95MC		7.10	11.40	13.00	14.40	142
N95MCL, N95MCLT, N95MCR, N95MCRT		8.10	12.80	14.50	16.40	162
N95MCLTP, N95MCRTTP	Complete	12.70	13.60	16.15	16.55	252.17
N95MCLTPX, N95MCRTPX	Back	3.30	3.50	3.90	5.10	64.50
	Extreme	2.60	2.80	3.00	3.00	50.50
	Back Accent	1.00	1.00	1.20	1.80	11
	Seat	4.90	5.20	5.70	6.30	96.50
	Seat Accent	1.00	1.30	1.50	1.80	19
	Arm	1.40	1.70	2.75	2.75	28
N95MCLX, N95MCLTX, N95MCRX, N95MCRTX	Back	1.70	2.50	3.00	3.00	31
	Extreme	2.60	2.80	3.00	3.00	50.50
	Back Accent	1.00	1.00	1.20	1.10	6
	Seat	3.00	5.30	6.10	6.80	58
	Seat Accent	1.00	1.00	1.20	1.30	17
	Arm	1.50	1.50	2.00	2.00	27
N95MCX	Back	1.70	2.50	3.00	3.00	31
	Extreme	2.60	2.80	3.00	3.00	50.50
	Back Accent	1.00	1.00	1.20	1.10	6
	Seat	3.00	5.30	6.10	6.80	58
	Seat Accent	1.00	1.00	1.20	1.30	17
N95MH		2.60	3.30	4.10	5.00	52

COM YARDAGE REQUIREMENTS

COM YARDAGE REQUIREMENTS (54" WIDTH – CUT UP THE ROLL)

MODEL	RAILROADED Contact customer service 800-482-1717 for ydg requirements	NON DIRECTIONAL OR SOLID	1"-4" REPEAT	5"-11" REPEAT	12"-18" REPEAT	COL SQUARE FEET
			4" VERTICAL X 4" HORIZONTAL	11" VERTICAL X 11" HORIZONTAL	18" VERTICAL X 18" HORIZONTAL	
N95MHX	Back	0.90	1.00	1.10	1.00	17
	Extreme	1.00	1.00	1.20	1.10	10.50
	Back Accent	1.00	1.00	1.20	1.10	6
	Seat	1.40	1.40	1.70	1.80	26.50
	Seat Accent	1.00	1.00	1.20	1.30	17
N95MHA		2.60	3.40	4.10	4.40	52
N95MHAX	Back	0.90	1.00	1.10	1.00	17
	Extreme	1.00	1.00	1.20	1.10	10.50
	Back Accent	1.00	1.00	1.20	1.10	6
	Seat	1.50	1.60	1.70	1.80	28
	Seat Accent	1.00	1.00	1.20	1.30	17
N95MJ		3.30	3.70	5.00	5.20	66
N95MJX	Back	1.00	1.00	1.20	1.00	17
	Extreme	1.00	1.00	1.20	1.10	12.50
	Back Accent	1.00	1.00	1.20	1.10	6
	Seat	1.50	1.60	1.70	1.80	29
	Seat Accent	1.00	1.00	1.20	1.30	17
N95MJA		2.50	3.30	3.70	4.40	50
N95MJAX	Back	0.90	0.90	1.10	1.00	15
	Extreme	1.00	1.00	1.20	1.10	4.50
	Back Accent	1.00	1.00	1.20	1.10	6
	Seat	1.50	1.60	1.70	3.30	28
	Seat Accent	1.00	1.00	1.20	1.30	17
N95MK		4.10	4.40	6.60	7.10	82
N95MKX	Back	1.70	1.70	2.00	2.00	31
	Extreme	1.80	1.90	2.10	2.10	34
	Back Accent	1.00	1.00	1.20	1.10	6
	Seat	1.40	1.50	1.70	1.80	26.50
	Seat Accent	1.00	1.00	1.20	1.30	17
N95MKA		3.40	3.70	4.60	6.00	68
N95MKAX	Back	0.90	1.00	1.10	1.00	15
	Extreme	1.00	1.00	1.20	1.10	6
	Back Accent	1.00	1.00	1.20	1.30	17
	Seat	2.00	2.20	2.60	4.70	39
	Seat Accent	1.00	1.00	1.20	1.30	17
N95MATP	Complete	4.40	4.80	5.40	6.30	87.50
N95MATPX	Back	1.20	1.20	1.50	2.10	23
	Extreme	1.00	1.00	1.20	1.10	9
	Back Accent	1.00	1.00	1.20	1.80	11
	Seat	1.70	1.80	2.10	2.30	33.50
	Seat Accent	1.00	1.30	1.50	1.80	19
N95MBTP	Complete	7.90	8.40	9.40	9.80	156
N95MBTPX	Back	2.20	2.30	2.70	3.60	44
	Extreme	1.80	1.90	2.10	2.10	34
	Back Accent	1.00	1.00	1.20	1.80	11
	Seat	3.30	3.50	3.90	4.30	65
	Seat Accent	1.00	1.30	1.50	1.80	19
N95MCTP	Complete	11.30	11.90	13.40	13.80	224.50
N95MCTPX	Back	3.30	3.50	3.90	5.10	64.50
	Extreme	2.60	2.80	3.00	3.00	50.50
	Back Accent	1.00	1.00	1.20	1.80	11
	Seat	4.90	5.20	5.70	6.30	96.50
	Seat Accent	1.00	1.30	1.50	1.80	19
N95MHATP	Complete	6.30	6.60	8.50	8.60	124
N95MHATPX	Back	2.20	2.30	2.70	3.60	44
	Extreme	1.00	1.00	1.20	1.10	10.50
	Back Accent	1.00	1.00	1.20	1.10	6
	Seat	3.25	3.50	3.90	4.30	65
	Seat Accent	1.00	1.00	1.20	1.30	17

COM YARDAGE REQUIREMENTS

COM YARDAGE REQUIREMENTS (54" WIDTH – CUT UP THE ROLL)

MODEL	RAILROADED Contact customer service 800-482-1717 for ydg requirements	NON DIRECTIONAL OR SOLID	1"-4" REPEAT	5"-11" REPEAT	12"-18" REPEAT	COL SQUARE FEET
			4" VERTICAL X 4" HORIZONTAL	11" VERTICAL X 11" HORIZONTAL	18" VERTICAL X 18" HORIZONTAL	
N95MHTP	Complete	5.50	5.80	6.60	7.60	108.50
N95MHTPX	Back	2.20	2.30	2.70	2.60	44
	Extreme	1.00	1.00	1.20	1.10	10.50
	Back Accent	1.00	1.00	1.20	1.10	6
	Seat	1.70	1.80	2.10	2.30	33.50
	Seat Accent	1.00	1.00	1.20	1.30	17
N95MJATP	Complete	6.20	6.70	8.50	8.60	123.50
N95MJATPX	Back	2.20	2.30	2.70	3.60	44
	Extreme	1.00	1.00	1.20	1.10	4.50
	Back Accent	1.00	1.00	1.20	1.10	6
	Seat	3.30	3.40	3.90	4.40	64.50
	Seat Accent	1.00	1.00	1.20	1.30	17
N95MJTP	Complete	7.40	7.80	8.50	8.80	146
N95MJTPX	Back	3.30	3.50	3.90	4.30	65
	Extreme	1.00	1.00	1.20	1.10	12.50
	Back Accent	1.00	1.00	1.20	1.10	6
	Seat	2.50	2.60	2.80	3.20	50
	Seat Accent	1.00	1.00	1.20	1.30	17
N95MKATP	Complete	8.90	9.30	11.20	11.80	176
N95MKATPX	Back	3.30	3.50	3.90	5.10	64.50
	Extreme	1.00	1.00	1.20	1.10	6
	Back Accent	1.00	1.00	1.20	1.30	17
	Seat	4.90	5.20	5.70	6.30	96.50
	Seat Accent	1.00	1.00	1.20	1.30	17
N95MKTP	Complete	6.80	7.40	8.80	10.10	134
N95MKTPX	Back	3.80	4.00	5.00	5.10	75
	Extreme	1.80	1.90	2.10	2.10	34
	Back Accent	1.00	1.00	1.20	1.10	6
	Seat	2.70	2.80	3.00	3.60	53.50
	Seat Accent	1.00	1.00	1.20	1.30	17
N95DDTP	Complete	3.50	3.75	4.00	4.25	69.50
N95DDTPX	Seat	2.50	2.50	2.75	3.20	49.50
	Seat Accent	1.20	1.25	1.50	2.25	22.50
N95EETP	Complete	5.90	6.00	6.40	6.70	116.25
N95EETPX	Seat	4.90	5.00	5.20	5.70	96.30
	Seat Accent	1.20	1.25	1.50	2.25	22.50
N95GGTP	Complete	8.20	8.50	8.90	9.20	163.50
N95GGTPX	Seat	7.20	7.50	7.60	8.20	143.50
	Seat Accent	1.20	1.25	1.50	2.25	22.50