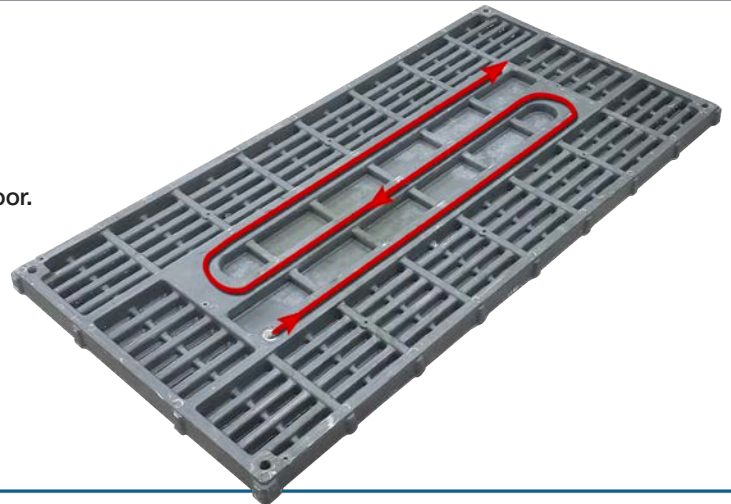


GENERAL INFORMATION

- Compressed fiberglass.
- Non-corrosive.
- Flame resistant.
- All fastening/maintenance can be completed from top of floor.
- Integrated heating and cooling
- North American measurements.
- Excellent traction for both sows and staff.
- Simple to install.
- Easy to clean and maintain.
- Sows can walk on all pieces.
- Multiple configurations available.



Flame Resistant

The Integra Farrowing Floor has been given a Class A Flame Resistance rating. Constructed of compressed fiberglass, the Integra floor will dramatically slow the spread of fire if one were to break out.



Integrated Heating & Cooling

Keep your animals comfortable with our temperature controlled flooring option. Water is routed through the floor to heat or cool without the use of electrical components. When your pigs are at a comfortable temperature you can expect the sow to eat more, increasing weaning weight.



Quality Design

Designed for longevity and ease of use. The Integra floor can be installed and removed from the top making maintenance quick and easy. Quality construction makes the floor strong enough to handle the sows weight, yet gentle on their skin.

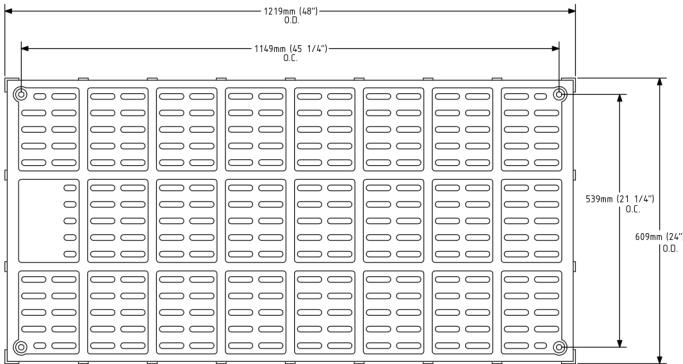
- Easy installation & maintenance
- Excellent traction
- Non-corrosive compressed fiberglass
- Easy to clean



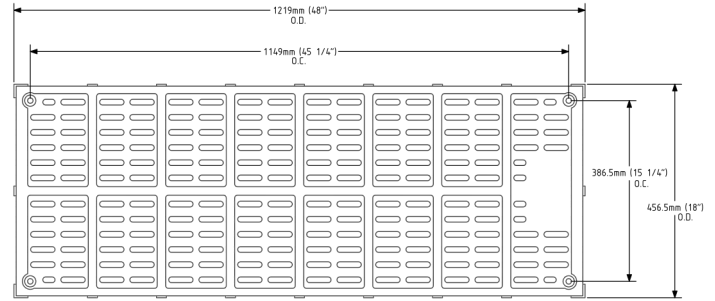
15 Year Warranty

Our flooring is strong, durable and built to last. We are confident in the durability of the Integra floor and back that up with a 15 year warranty.

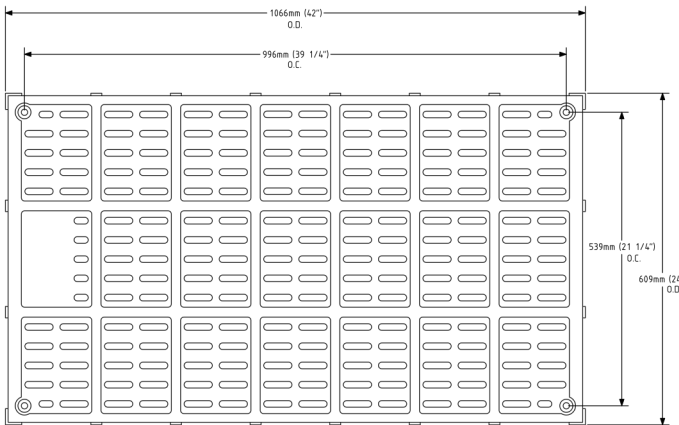
2099505-48 - 24" x 48" HD SOW INTEGRA



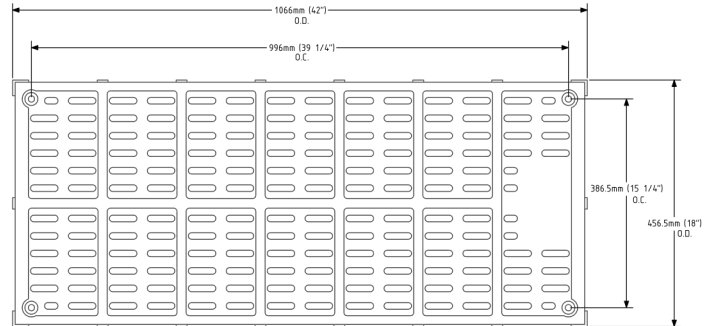
2099507-48 - 18" X 48" HD SOW INTEGRA



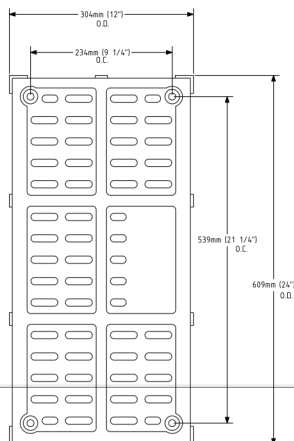
2099505-42 - 24" x 42" HD SOW INTEGRA



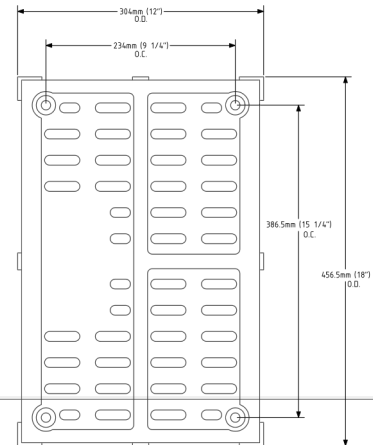
2099507-42 - 18" X 42" HD SOW INTEGRA



2099505-12 - 24" x 12" HD SOW INTEGRA



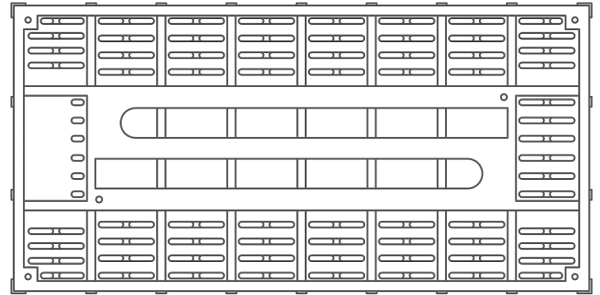
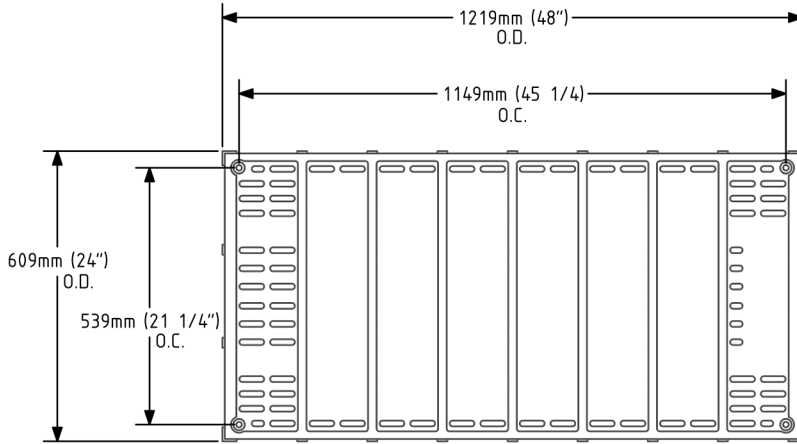
2099507-12 - 18" X 12" HD SOW INTEGRA



2099506-48
24" X 48" HD INTEGRA HEAT / COOL PAD

TOP

BOTTOM



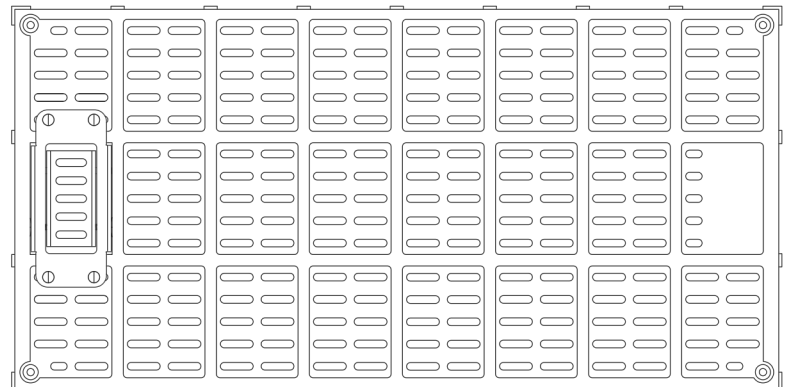
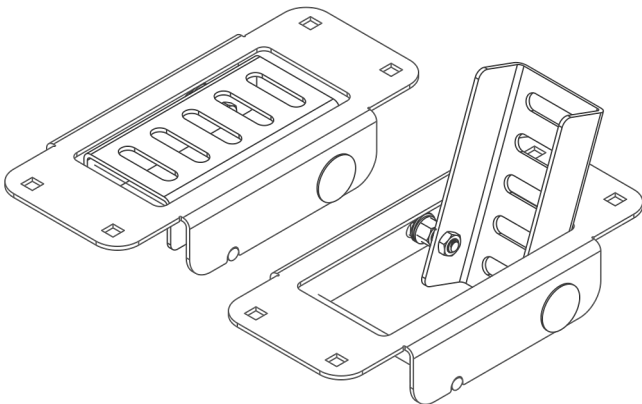
BENEFITS OF INTEGRA WATER HEATING

- When compared to electric heat pads:
 - More reliable.
 - No electrical components to fail.
 - No external wires
- Same height as the other flooring pieces.
 - No access points for manure and other bacteria to hide.
- Sow can walk on it.
- Keep piglets warm at source.
- Easy to maintain - 4 bolts to remove floor piece.

BENEFITS OF INTEGRA WATER COOLING

- Keep sows cool when ambient temperatures are too high.
- Reduce respiration rate with floor cooling.
- Higher sow feed intake:
 - Increase milk production.
 - Higher weaning weight.
 - Sows leave the crates in better physical condition.
- Sows spend more time nursing.
- Easy to maintain - 4 bolts to remove floor piece.

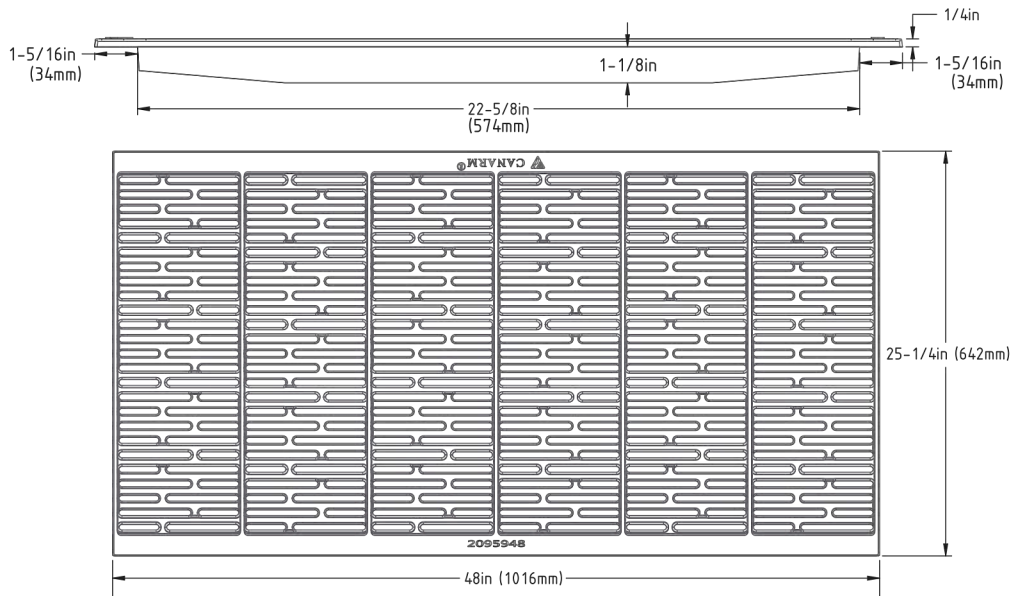
CUSTOM SS CLEAN-OUT OPTIONS AVAILABLE



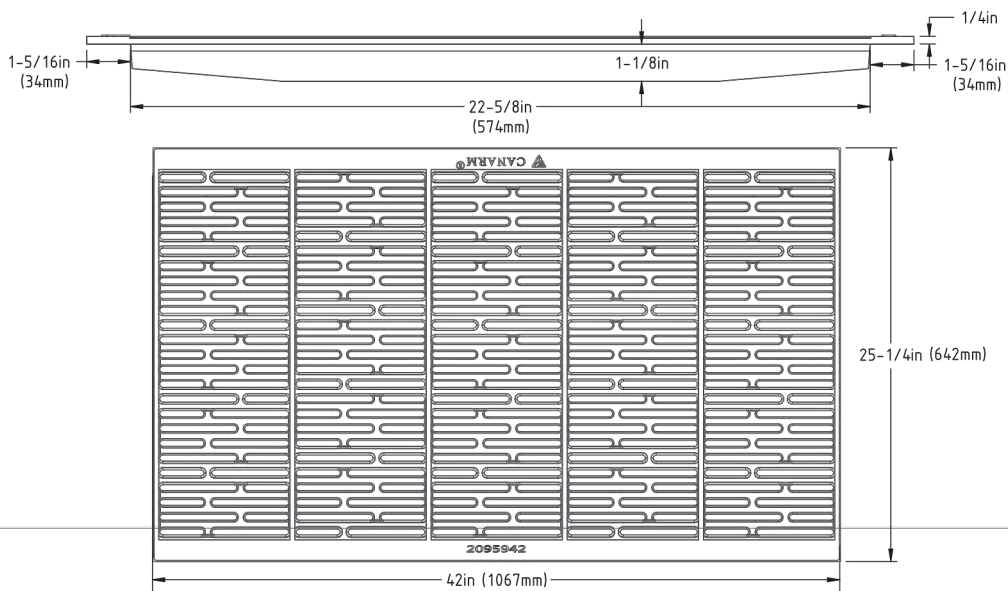
FEATURES

- Black ductile cast.
- Traction bars every 8" and along the outside edge.
 - Reduces sow slipping.
 - Increased stability reduces crushing.
- Cool under sow, also reduces crushing.
- Holes on the ends to bolt cast together (prevents cast from separating.)

2095948 24" X 48" BLACK CAST (CHINA)



2095942 24" X 42" BLACK CAST (CHINA)

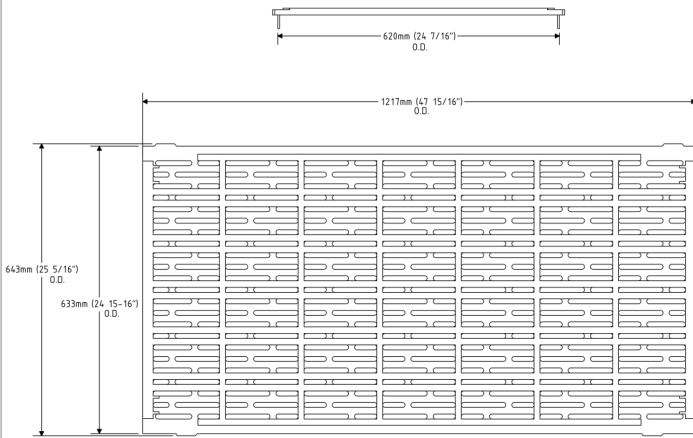


FEATURES - SCHOLAN CAST

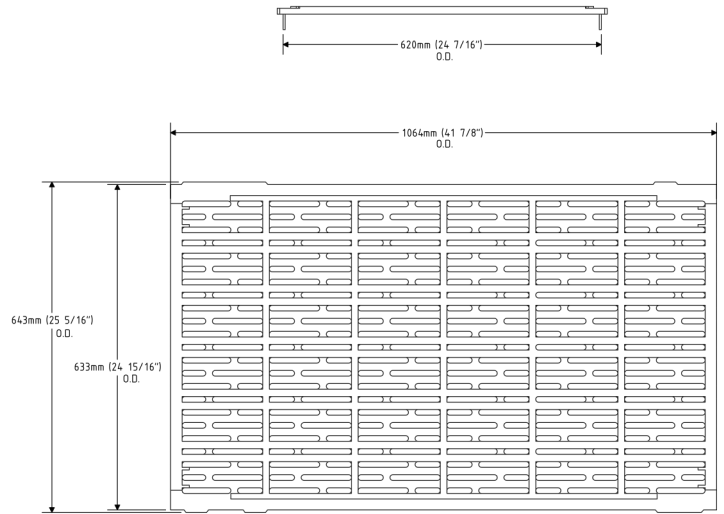
- Schonlau is a premium German cast.
- Adaptable - Can be combined with all Canarm AgSystems flooring applications.
- 2 traction levels for extreme horizontal foothold on wet or fatty surfaces.
- Smooth surface - No sharp fins or edges.
- Manufactured with the worldwide unique "Open Mold Technology."
- Rounded bars prevent squeezing and cutting of teats.
- Cool under sow, reduces crushing.



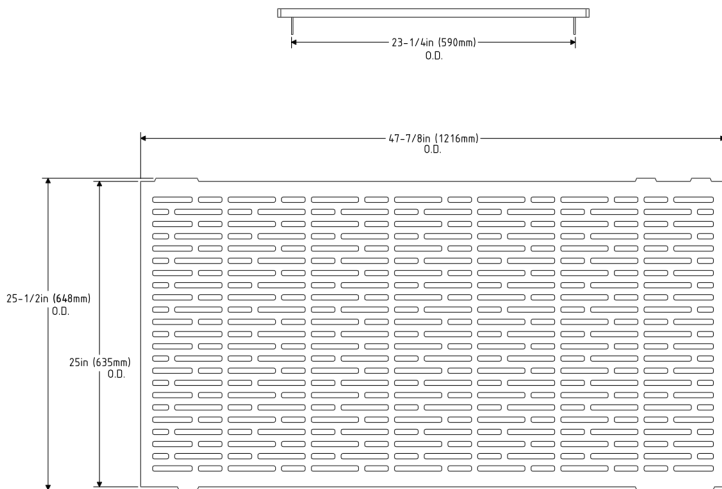
2099548 - 24" X 48" SCHONLAU CAST (Tabs 619.73mm OD) Jet Black RAL 9005



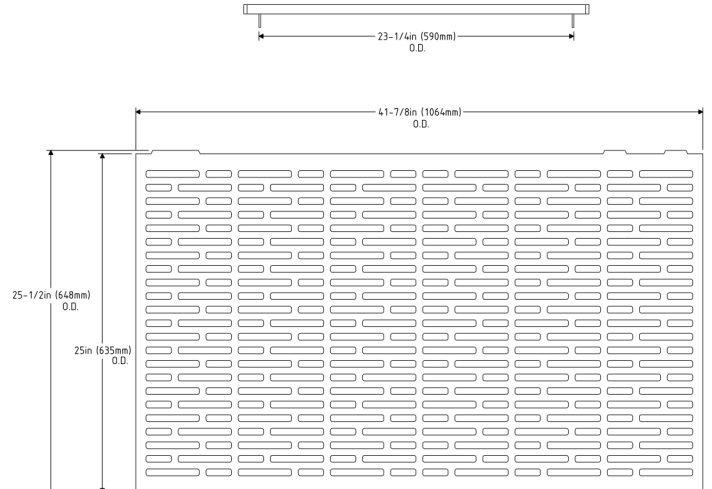
2099542 - 24" x 42" SCHONLAU CAST (Tabs 619.73 mm OD)



2096948 - 24" X 48" CAST C/W TABS - RED

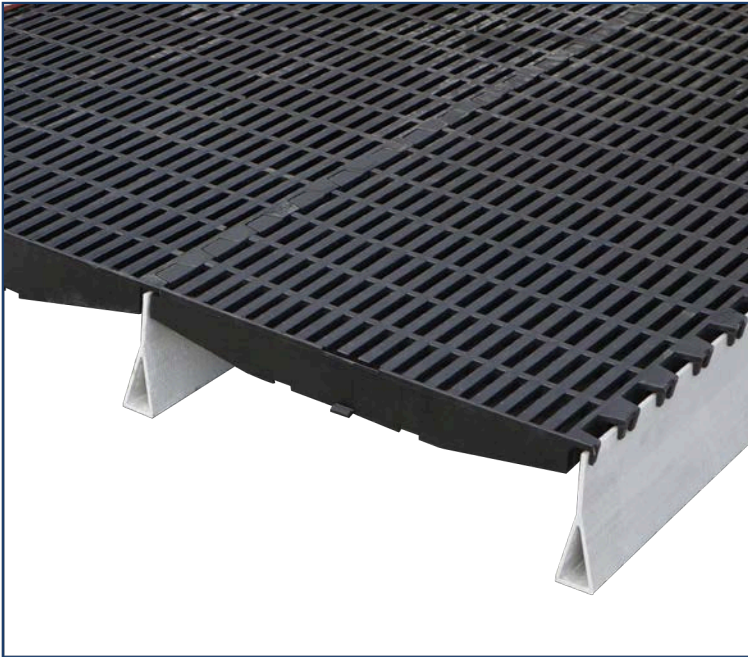


2096942 - 24" x 42" CAST C/W TABS - RED



FEATURES

- Heavy duty “adjustable” post support system
- Triangular shaped, heavy duty plastic end bracket enhances stability and protects the beam from the concrete
- Corrosion resistant fiberglass rail provides an excellent alternative to stainless steel.
- Rail is 5 5/16" high for added strength
- Light weight and strong
- Easy to install
- 3/16" rail can be used with all Canarm flooring



ACCESSORIES

- Available accessories: Post, End Caps, Mid & End Plates



CANARM LTD. - Corporate Office
PO Box 367 2157 Parkedale Ave.,
Brockville, ON
Canada K6V 5V6
Tel: (613) 342-5424 Fax: 1-800-263-4598

Arthur Manufacturing Facility
#7686 Concession 16, RR 4
Arthur, ON
Canada N0G 1A0
Tel: (519) 848-3910 Fax: (519) 848-3948

Montréal Warehouse
2555 Rue Bernard Lefebvre
Laval, QC
Canada H7C 0A5
Tel: (450) 655-2535 Fax: (450) 665-0910

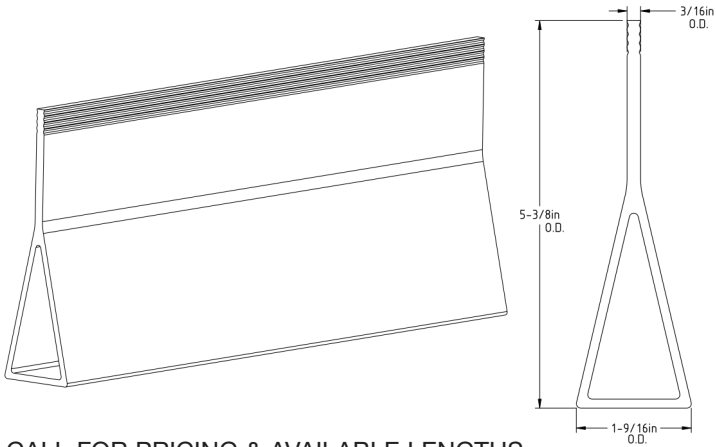
CANARM LTD. - USA Warehouse
808 Commerce Park Drive
Ogdensburg, New York,
USA 13669
Tel: 1-800-267-4427 Fax: 1-800-263-4598

www.canarm.com
Subject to Change without notice.

Swine product is non-stock and non-returnable.

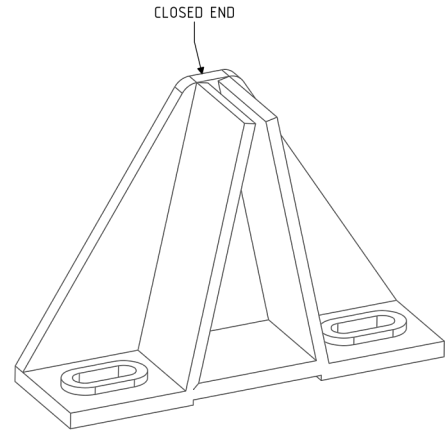
agsales@canarm.ca
Printed in Canada

**2099700-10 - 10 FT FIBERGLASS RAIL
 3/16" X 5 5/16" HIGH (cut at 119.5")**

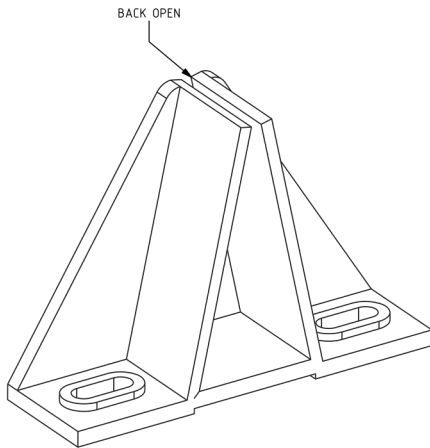


CALL FOR PRICING & AVAILABLE LENGTHS

2099700-EP - END PLATE FOR 3/16" FIBERGLASS RAIL HEAVY DUTY



**2099700-MID
 HEAVY DUTY PLASTIC MID PLATE**



**2099701-T
 3/16" FIBERGLASS RAIL POST TOP**



**2099701-B
 3/16" FIBERGLASS RAIL POST BOTTOM**



2099701-PST 3/16" FIBERGLASS RAIL POST MATERIAL 19' LENGTHS

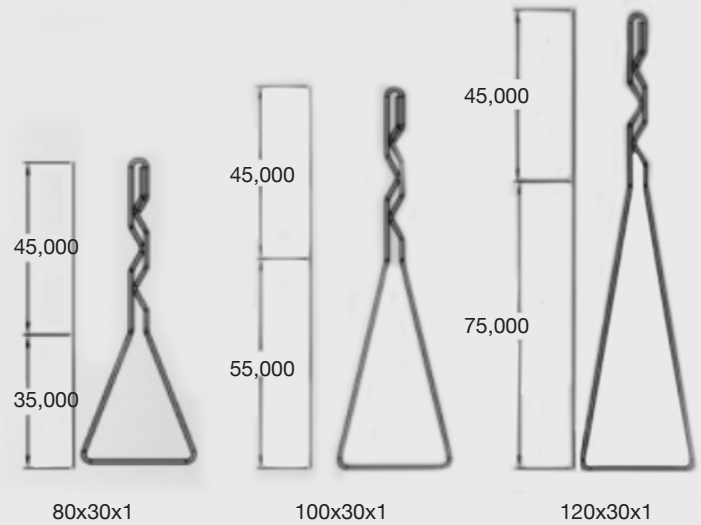
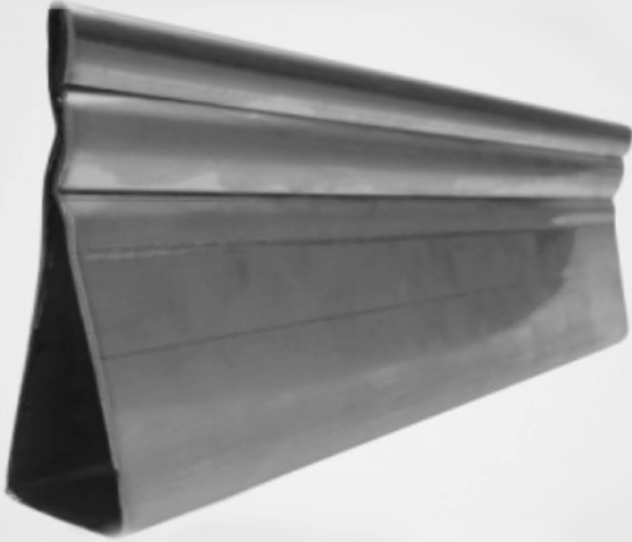


SS DELTA RAILS



Height and thickness specified per project:

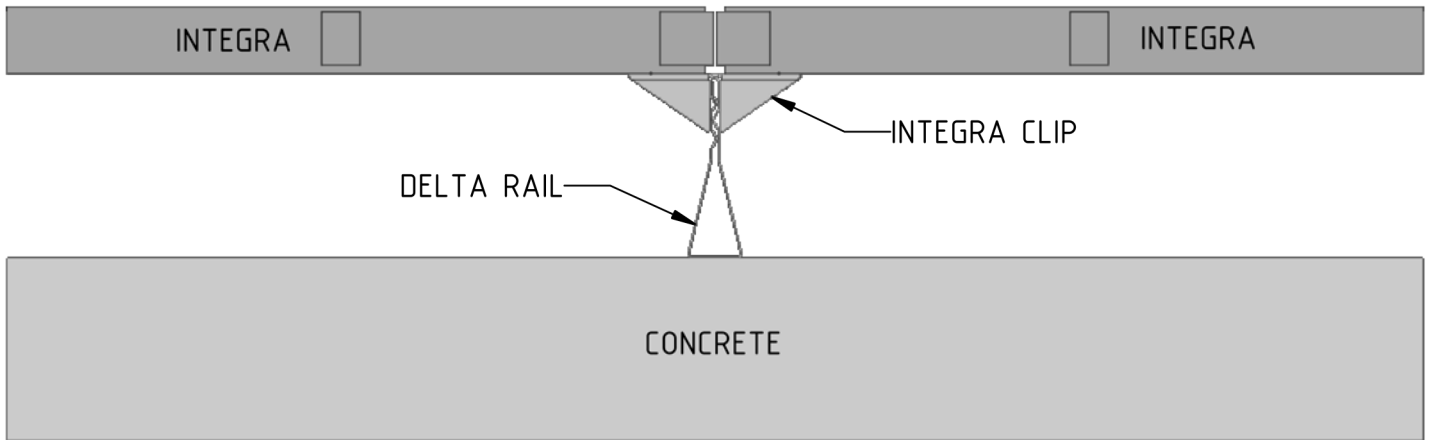
- Available in 3 heights - 80mm, 100mm, 120mm
- Available in different gauge material - 1.0mm, 1.2mm, 1.5mm



STANDARD STOCK 100mm x 1.2mm x 2450mm long

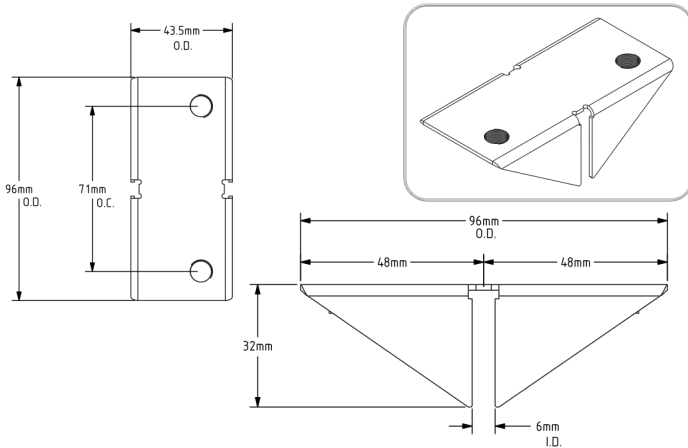
SPECIAL ORDER SIZES - CALL FOR PRICING AND SPECIFICATIONS

DELTA-i		MAX LENGTH (SPAN) IN mm		
HEIGHT	THICKNESS	WEANERS SLAT 600 MM	WEANERS SLAT 800 MM	SOWS
80 mm	0.8 mm	1600	1500	--
80 mm	1 mm	2000	1800	1500
80 mm	1.2 mm	2400	2200	2000
80 mm	1.5 mm	2800	2600	2500
100 mm	0.8 mm	2000	1800	1600
100 mm	1 mm	2500	2500	2000
100 mm	1.2 mm	3000	3000	2500
100 mm	1.5 mm	3250	3250	2750
120 mm	0.8 mm	2500	2500	2000
120 mm	1 mm	3000	3000	2600
120 mm	1.2 mm	3500	3500	3000
120 mm	1.5 mm	3750	3750	3250

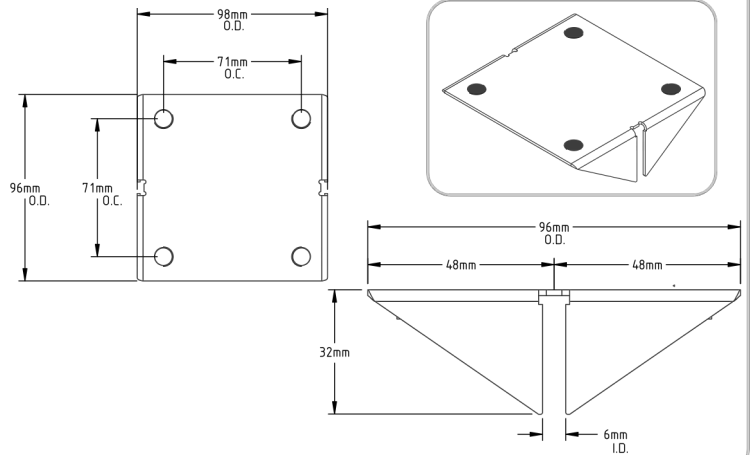


FOR STANDARD INTEGRA INSTALLATION, USE 8MM X 40MM SS BOLTS + 8MM WASHERS

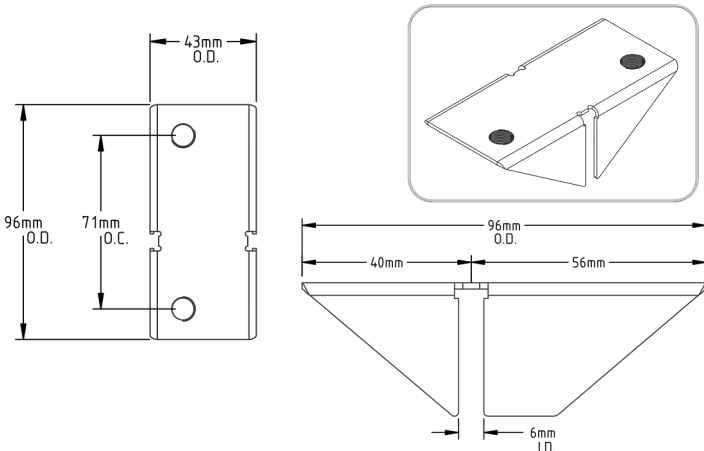
2099523 DOUBLE INTEGRA CLIP



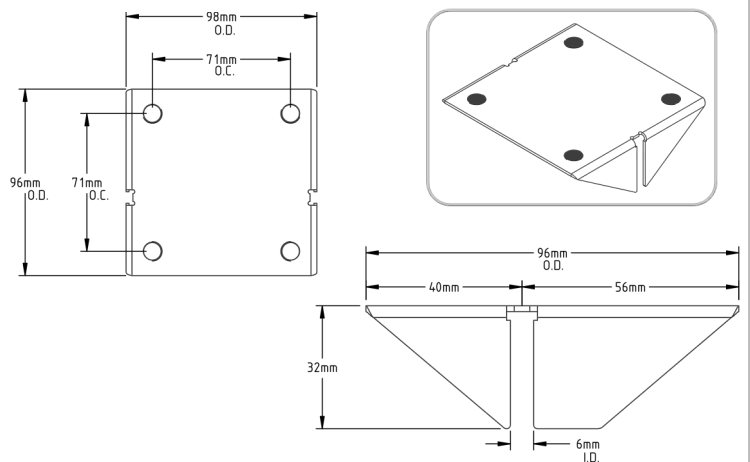
2099524 QUAD INTEGRA CLIP



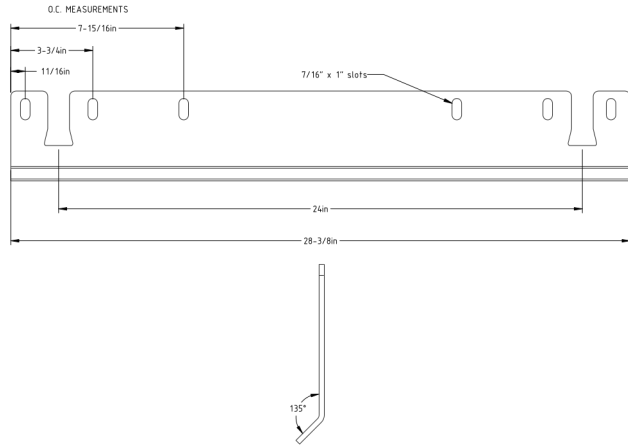
2099525 OFFSET DOUBLE INTEGRA CLIP (USED WITH CAST)



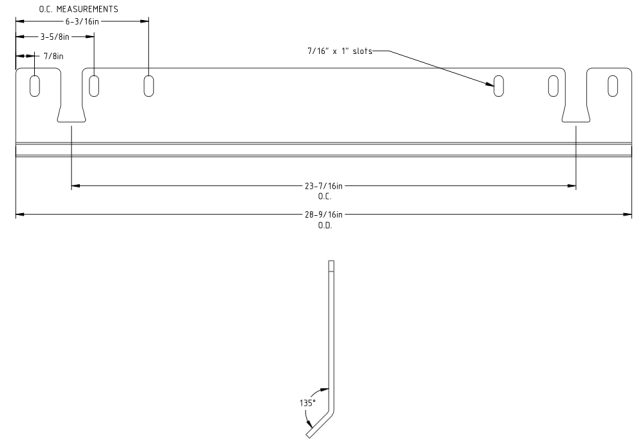
2099526 OFFSET QUAD INTEGRA CLIP (USED WITH CAST)



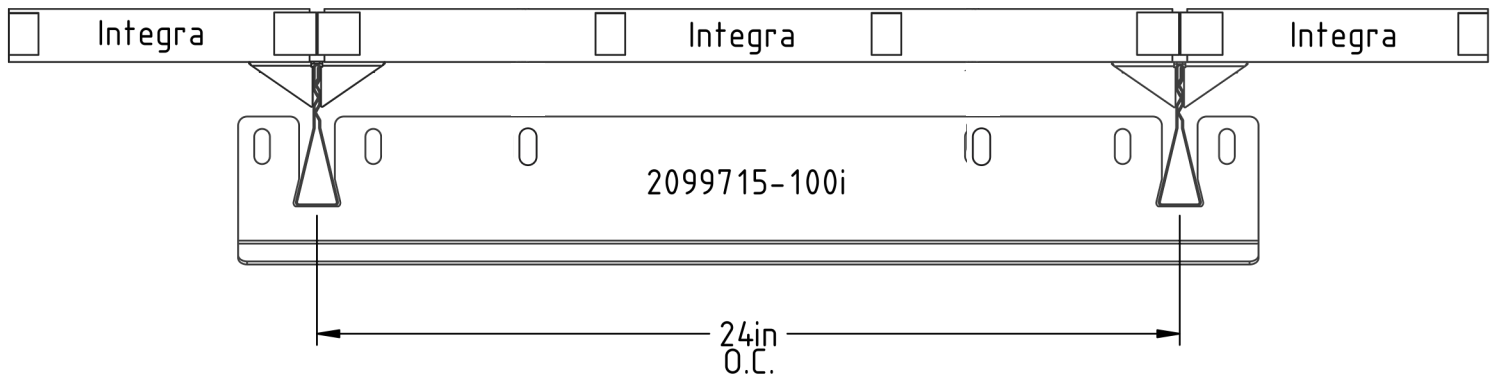
2099715-100i - SS UNDERCARRIAGE MOUNT, INTEGRA UNDER SOW 100 MM DELTA RAIL



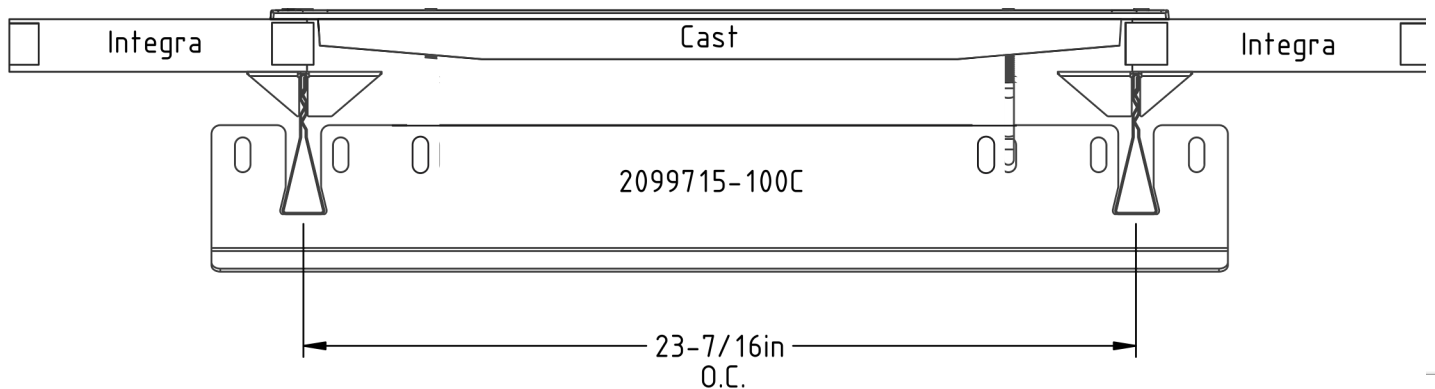
2099715-100C - SS UNDERCARRIAGE MOUNT, CAST UNDER SOW 100 MM DELTA RAILS



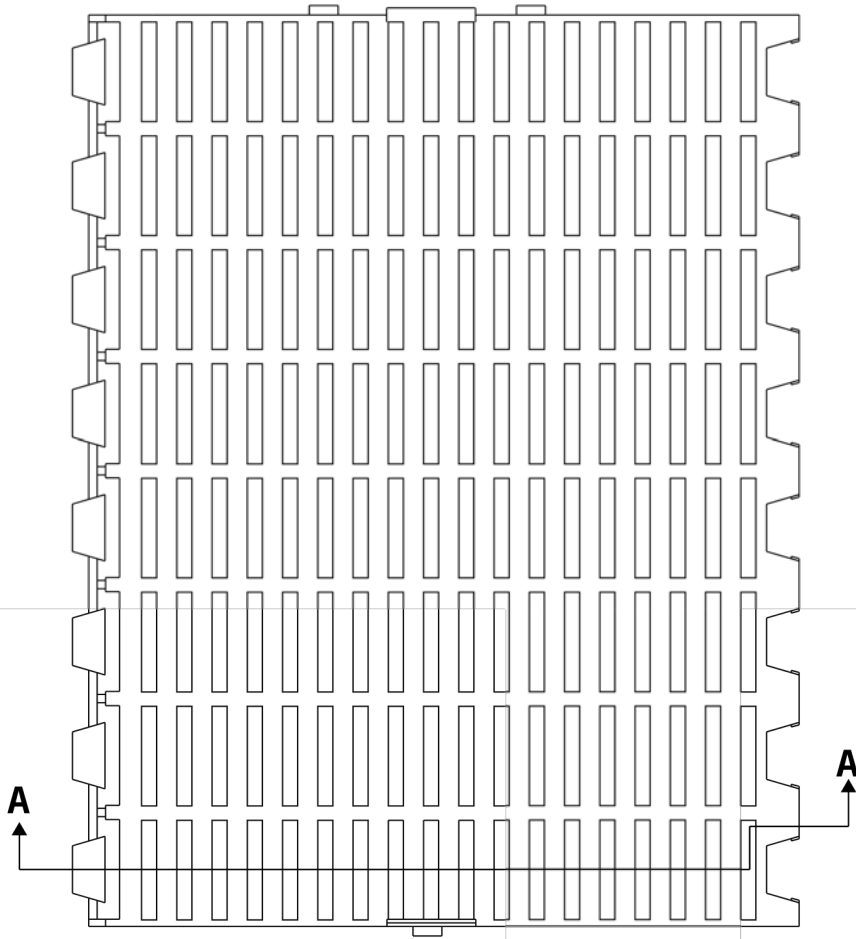
2099715-100i LAYOUT



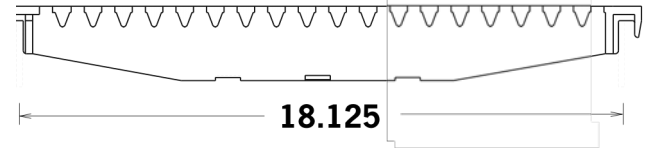
2099715-100C LAYOUT



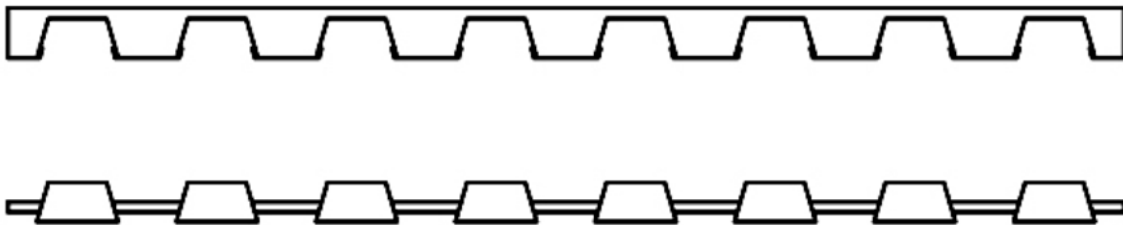
2099650 PLASTIC CREEP SLAT 18" OC X 24" LG.



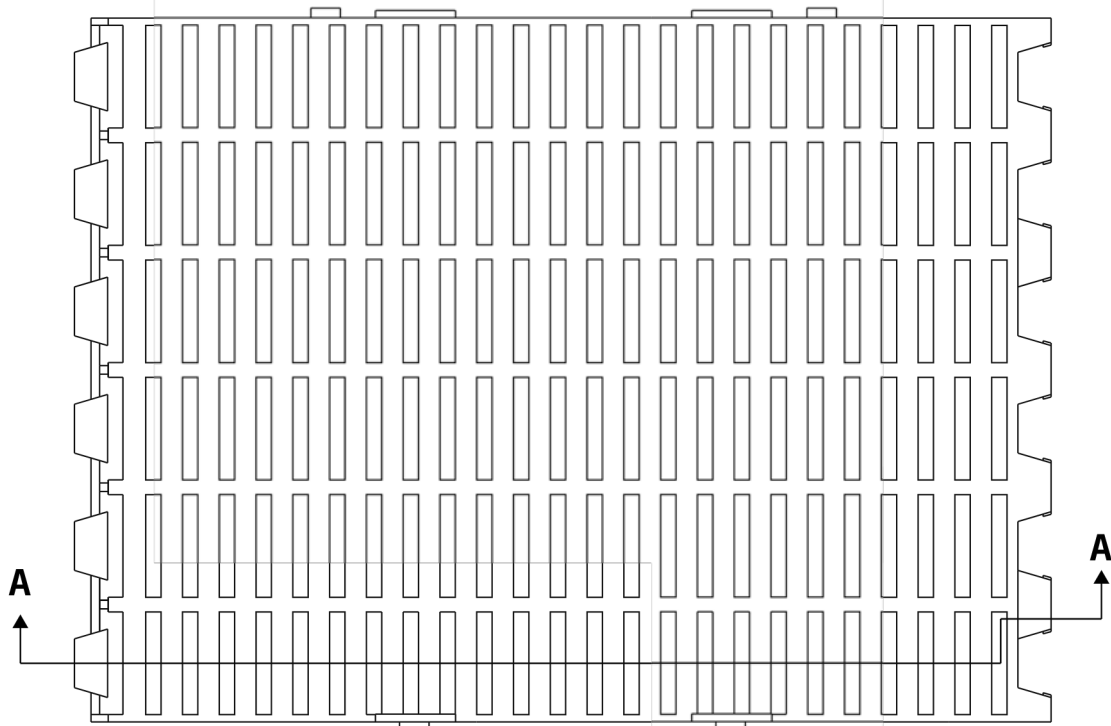
SECTION AA



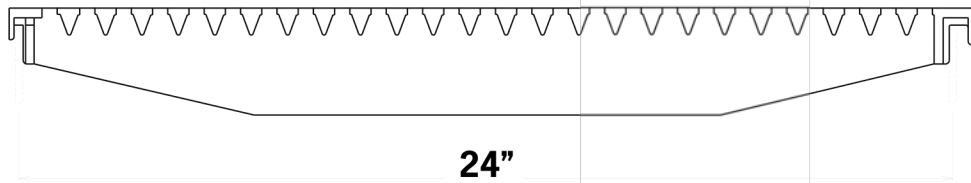
2099600-E PLASTIC END CAP 24" LG. (L + R)



2099750 PLASTIC CREEP SLAT 24" OC X 18" LG.

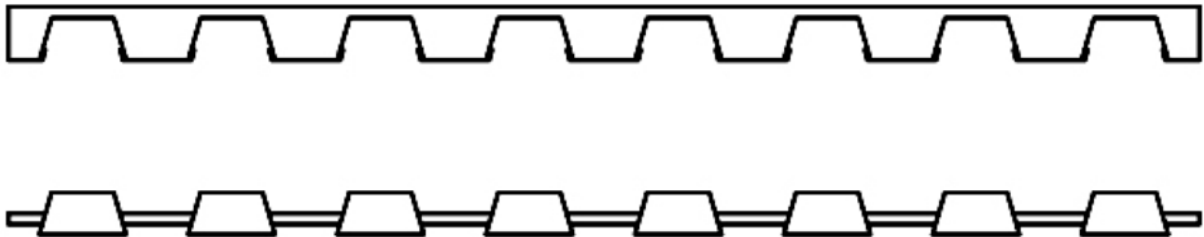


SECTION AA

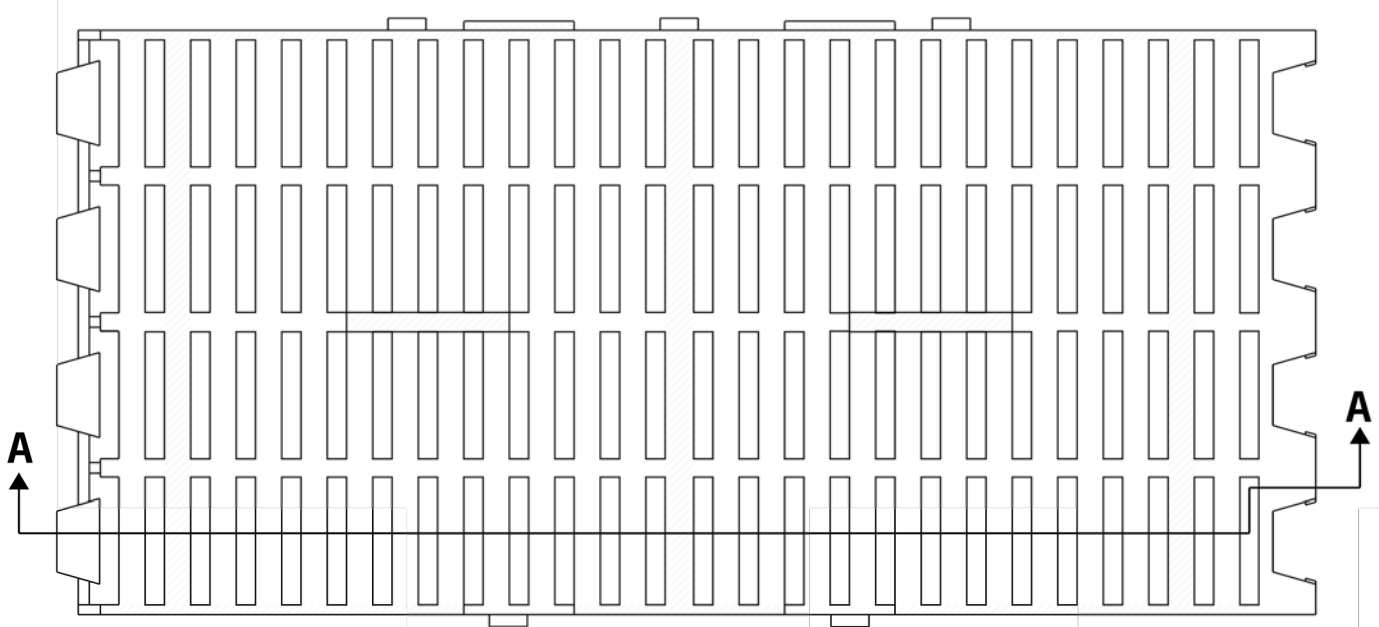


24"
O.C. RAILS
(609 mm)

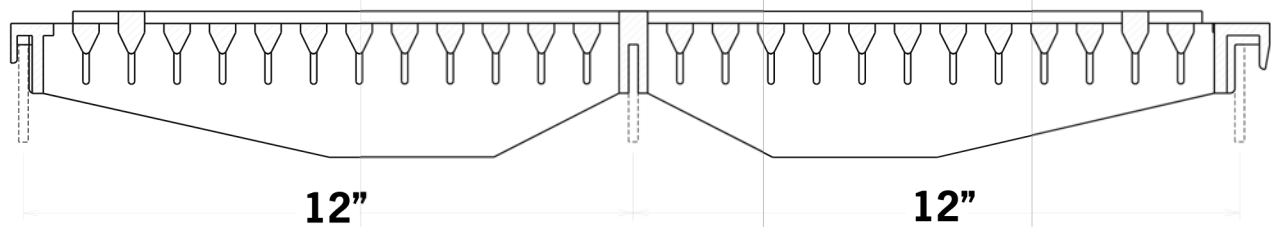
2099600-E PLASTIC END CAP 24" LG. (L + R)



2099810 SOW FARROWING 24" OC X 12" LG.

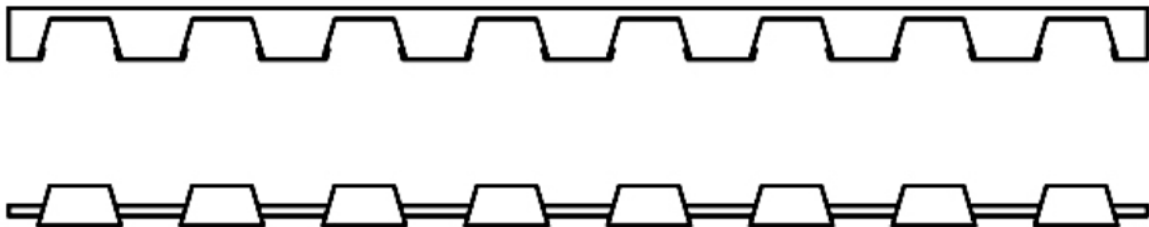


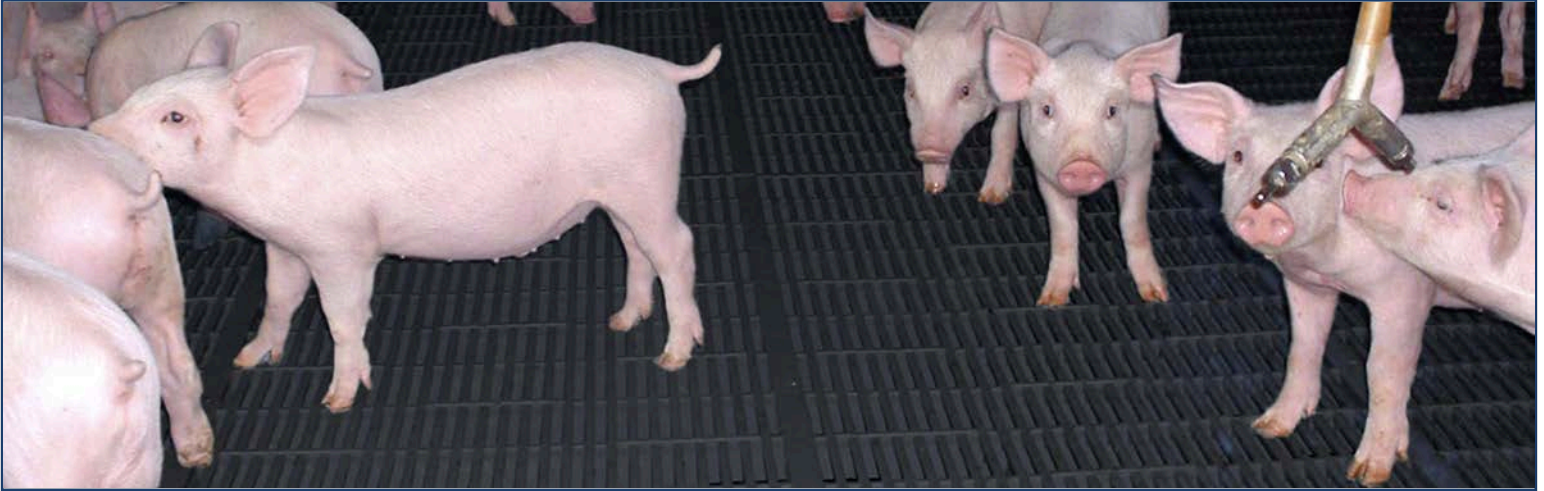
SECTION AA



NOTE: Requires additional rail in the center

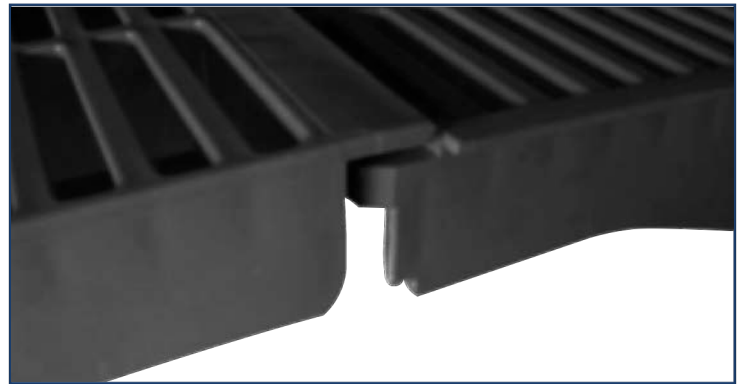
2099600-E PLASTIC END CAP 24" LG. (L + R)





BENEFITS

The Seamless Summit Nursery Slat provides exceptionally easy cleaning, elevated comfort, and excellent durability. Another innovative product that helps you produce healthier pigs more economically.



FEATURES

- Unique "Seamless joining" system for easier cleaning
- V-shaped ribs for early disease detection
- Designed for pigs up to 100 lbs.
- Cost savings, as less rails are required.
- Large 24" x 48" slat size for reduced installation time

WARRANTY

- 5 year pro-rated warranty.
- Note: Flooring guidelines on FLOORING 17 must be followed to ensure warranty.

Note: Grey Seamless Summit has been discontinued.



CANARM LTD. - Corporate Office
PO Box 367 2157 Parkedale Ave.,
Brockville, ON
Canada K6V 5V6
Tel: (613) 342-5424 Fax: 1-800-263-4598

Arthur Manufacturing Facility
#7686 Concession 16, RR 4
Arthur, ON
Canada N0G 1A0
Tel: (519) 848-3910 Fax: (519) 848-3948

Montréal Warehouse
2555 Rue Bernard Lefebvre
Laval, QC
Canada H7C 0A5
Tel: (450) 655-2535 Fax: (450) 665-0910

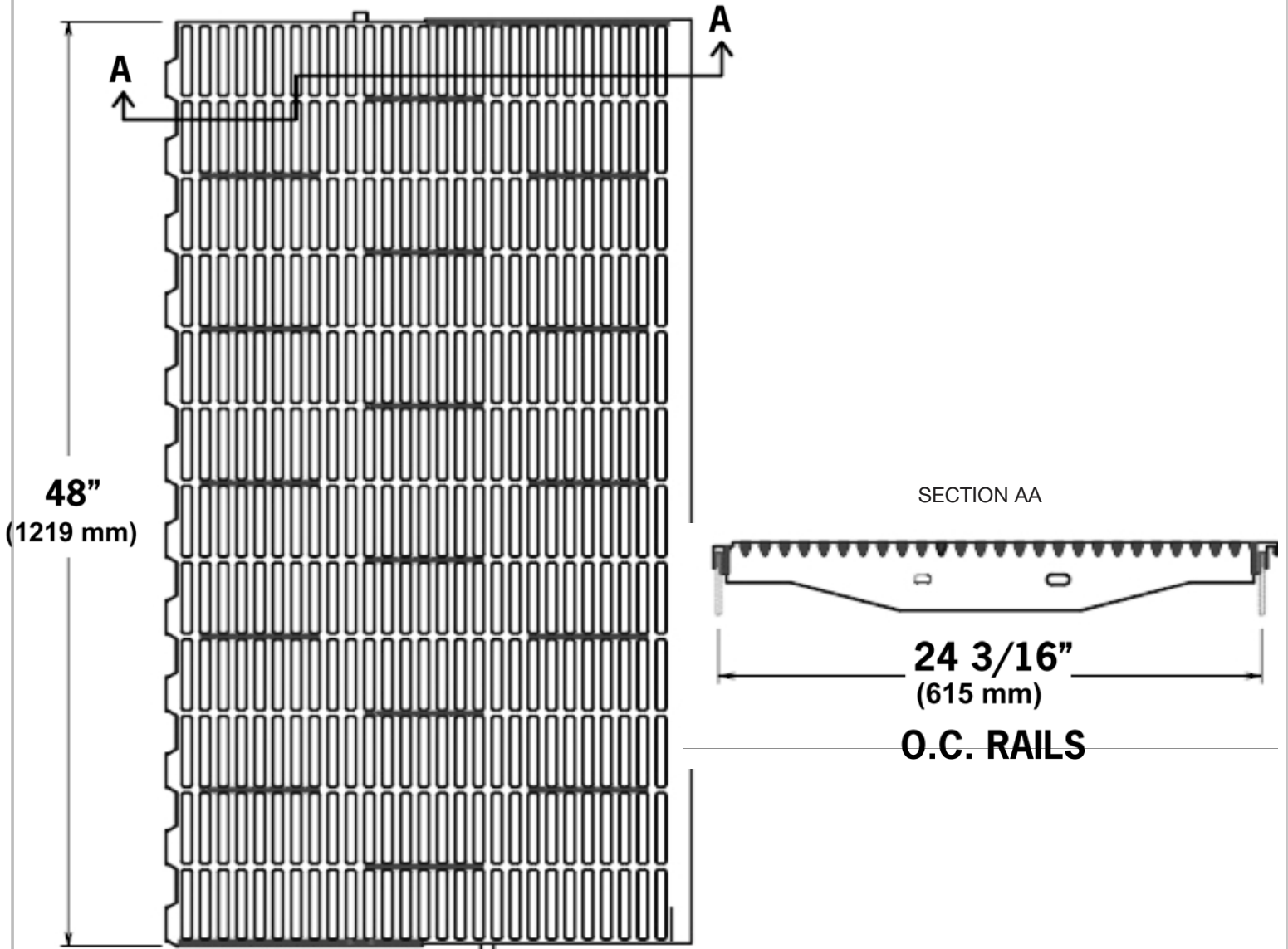
CANARM LTD. - USA Warehouse
808 Commerce Park Drive
Ogdensburg, New York,
USA 13669
Tel: 1-800-267-4427 Fax: 1-800-263-4598

www.canarm.com
Subject to Change without notice.

Swine product is non-stock and non-returnable.

agsales@canarm.ca
Printed in Canada

2099350-B
BLACK SEAMLESS SUMMIT 24" OC x 48" LG FLOOR

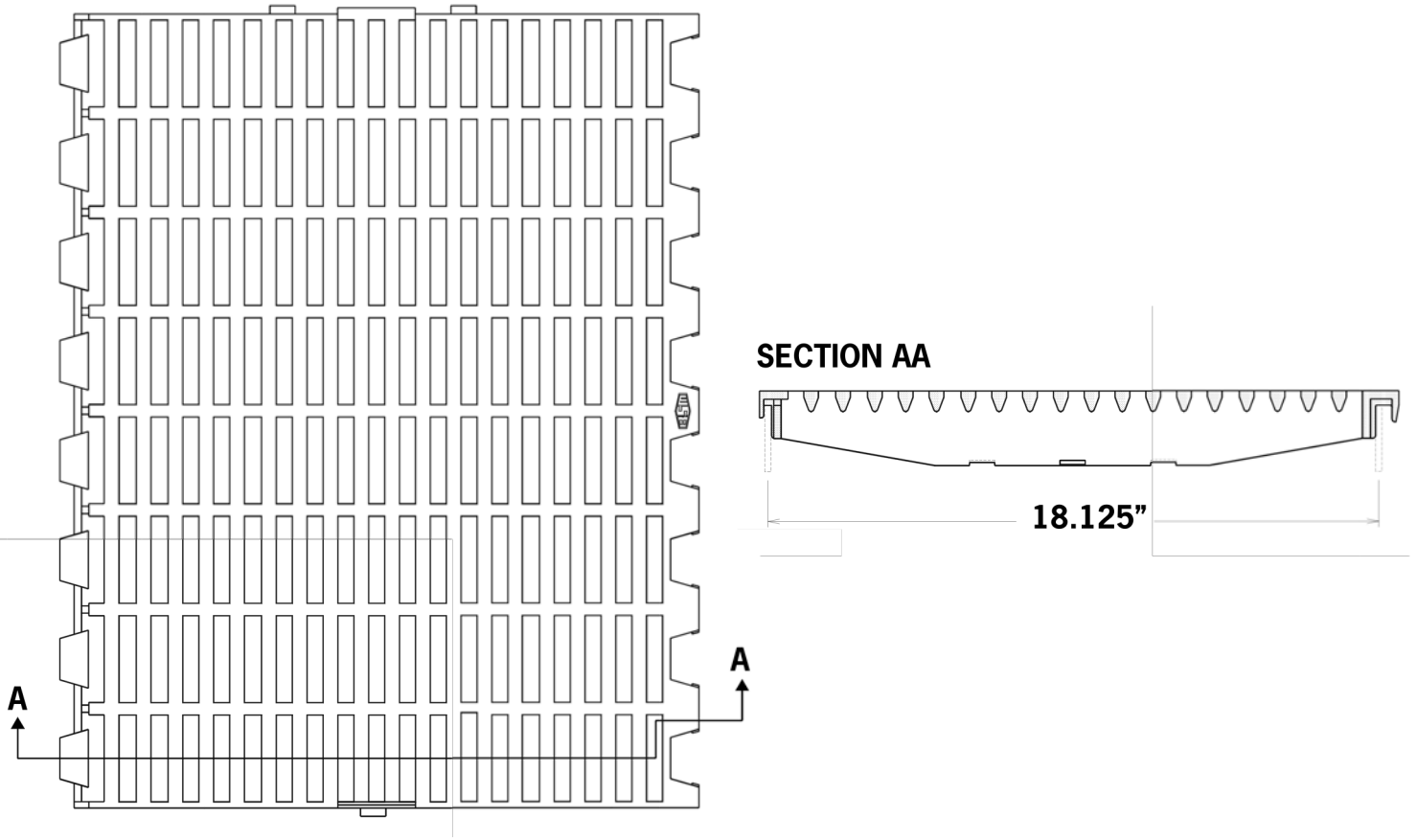


- Size installed (24 3/16" O.C.) (615 mm) x (48" lg.) (1219 mm)
- % Open (324 slots @ .470" x 3.70") (12 mm x 94 mm) therefore 50% open
- Max. 100 lb. (45 kg) grower pigs
- Top of support to top of floor = 11/16" (17 mm) (Overall height = 3 3/8") (86 mm)
- Therefore minimum support height = 3" (76 mm)
- WARRANTY: 5 YEAR PRO-RATED

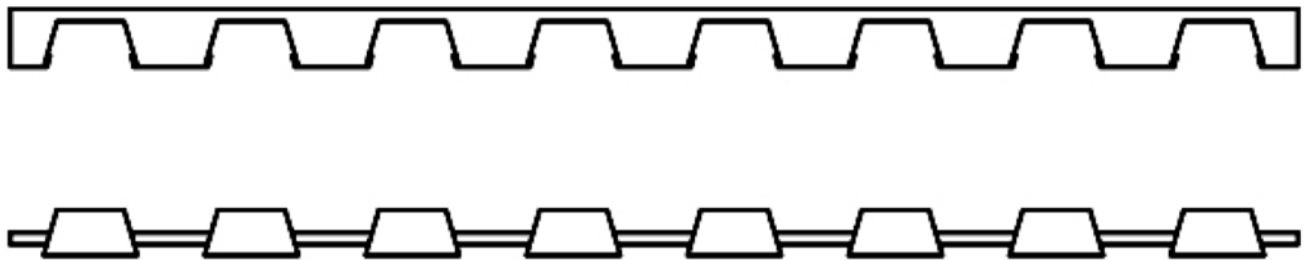
Note: See installation instructions for expansion requirements.

Grey Seamless Summit discontinued due to raw material cost. Contact for availability.

2099600 PL.GRWR 18" OC X 24" LG (H-125 H-128)

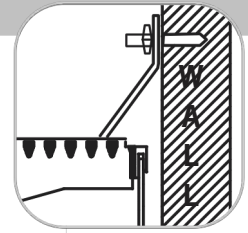
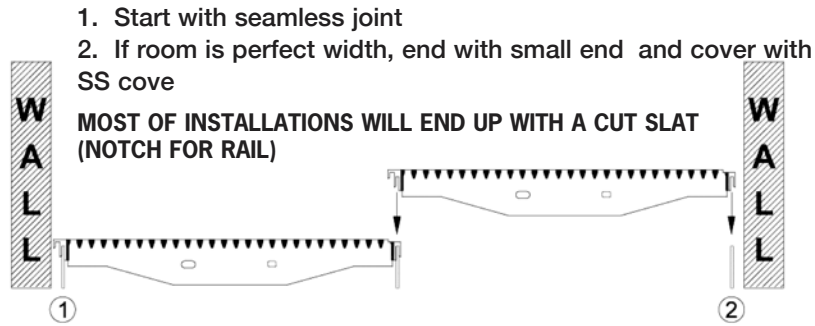
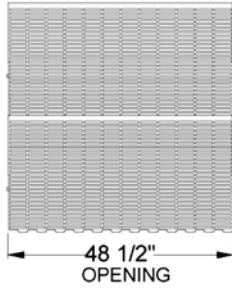


2099600-E PLASTIC END CAP 24" LG. (L + R)



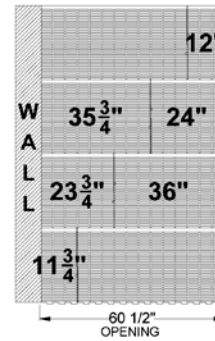
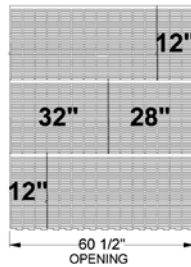
NOTE: Not for use with seamless summit.

ASSEMBLY - 4', 8', 12', 16', 20', 24', etc.



ASSEMBLY - 5', 9', 13', 17', 21', 25', etc.

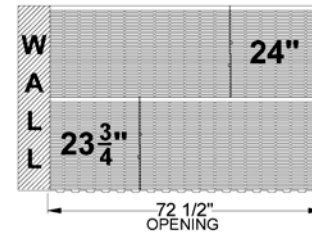
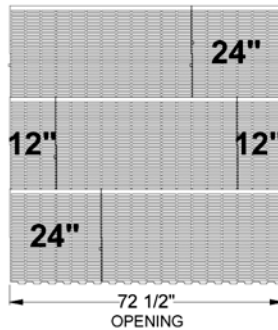
- Must start & stop with full rib
- 1/4 slat waste over 3 rows



- 0 flooring waste
- Cut slats must be at wall with SS cove

ASSEMBLY - 6', 10', 14', 18', 22', 26', etc.

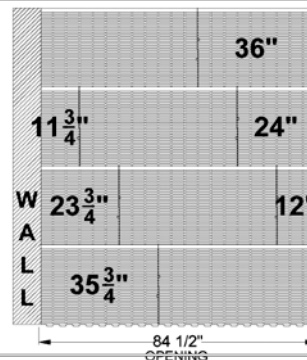
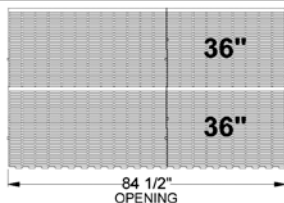
- Must start & stop with full rib
- 1/2 slat waste over 3 rows



- 0 flooring waste
- Cut slats must be at wall with SS cove

ASSEMBLY - 7', 11', 15', 19', 23', 27', etc.

- Must start & stop with full rib
- 1/4 slat waste per row



- 0 flooring waste
- Cut slats must be at wall with SS cove

INSTALLATION GUIDELINES - Any deviation from these guidelines must be approved by the Canarm Customer Service and Engineering Departments

Plastic flooring systems will expand and contract with temperature change. Expansion gap guidelines must be followed. The flooring guidelines below must be followed to ensure warranty. Livestock Flooring products are designed to carry normal livestock loads and densities. They are not designed to be work-platforms for construction and contractor operations. Care should be taken to avoid sudden impacts and point loads, such as ladders, during the installation process. Care should also be taken to walk on the top of the support rails or beams.

1. Store all flooring parts inside and at 70°F/20°C for at least 48 hours before installation. Never install flooring that has not been properly warmed.
2. Use only Canarm supplied support system and installation guidelines. Any deviation from this should be discussed with and approved by our customer service and engineering departments. Using rails thicker than 3/16" (4.75 mm) will result in damage to the floor and possible failure.
3. Leave room for expansion at walls, and an expansion joint in floor runs of over 60 feet (18 meters). (Refer to the Thermal Expansion chart on next page for guidelines.)
4. Some floor designs allow for staggered joints. This is recommended for maximum strength and stability.
5. All expansion gaps should be covered with a "cove" that will allow expansion and contraction of the floor.
6. Avoid hammering on the flooring and only use a soft rubber mallet when necessary.
7. Support rails and beams must be installed straight and plumb.
8. Minimum of 2" (50.8 mm) of rail should be supported on curbs, and rail should be long enough to prevent linear shifting off the curb.
9. Rails should not be fastened to the curb, as the flooring system must be allowed to expand, contract and "float" when necessary.

SPAN WIDTH AND RAIL HEIGHT REQUIREMENTS

- All steel rails must be 3/16" (4.75 mm) thick.
- Up to 96" (2438 mm) long and 3" (76 mm) high.
- 96" (2438 mm) - 120" (3048 mm) long and 3.5" (88.9 mm) high
- For rails over 120" (3048 mm) long, please call for center support recommendations.

THERMAL EXPANSION

Whenever possible, always install flooring at the room operating temperature.

If installing below the operating temperature, use the Thermal Expansion chart on next page to calculate the expansion gap to be used between walls and flooring.

If the floor is longer than 60 feet (18 meters), an expansion joint is needed. To make an expansion joint, use two support beams side by side and leave a gap between floor parts (proper expansion gap can be calculated by referring to the Thermal Expansion chart and then doubling the value).

THERMAL EXPANSION GAP

The gap distance depends on the floor length, and the installation temperature vs. room operating temperature.

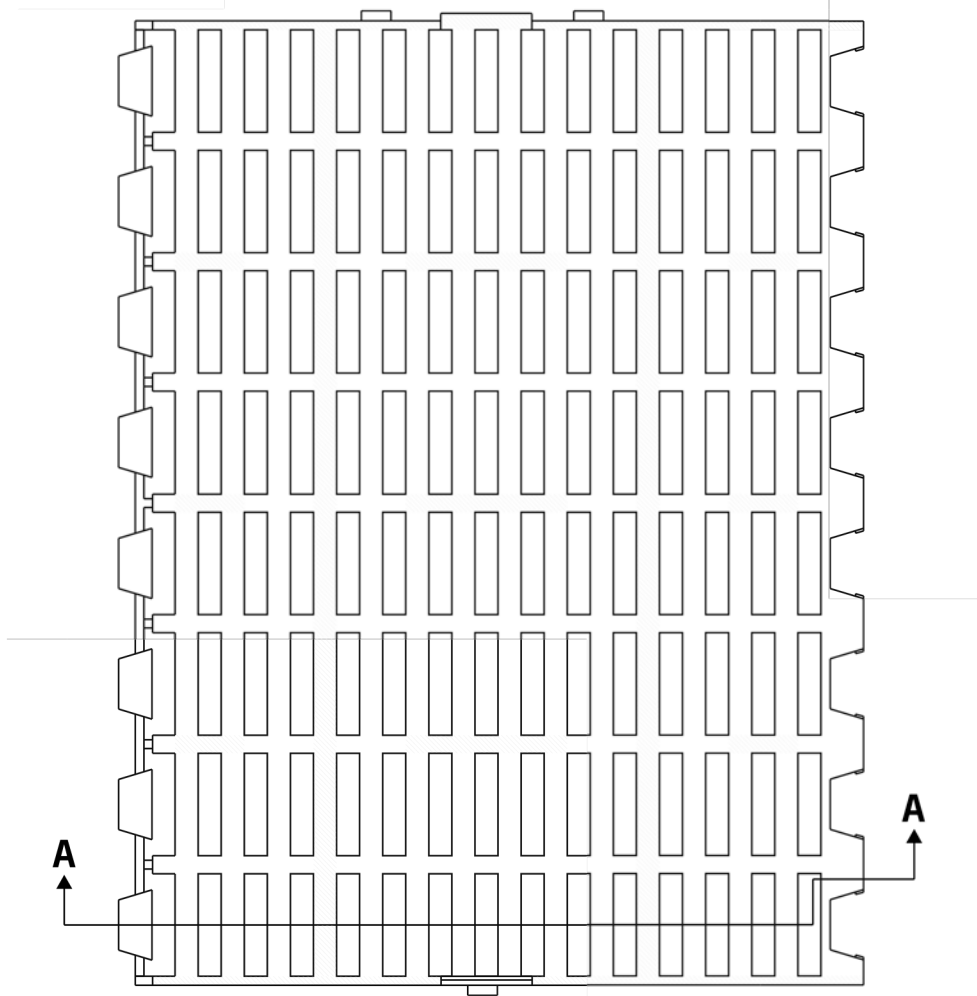
THERMAL EXPANSION CHART

LENGTH/WIDTH OF FLOORING SECTION		INSTALLATION - DEGREES BELOW OPERATING TEMPERATURE		EXPANSION GAP TO LEAVE AT EDGES OF FLOOR SECTION (DOUBLE BETWEEN FLOOR SECTIONS)		
FEET	METRES	FAHRENHEIT	CELCIUS	INCHES	INCHES	MILLIMETRES
10'	3m	0	0	0.1250	1/8"	3mm
10'	3m	10	6	0.1563	5/32"	4mm
10'	3m	20	11	0.1875	3/16"	5mm
10'	3m	30	17	0.2500	1/4"	6mm
10'	3m	40	22	0.3125	5/16"	8mm
20'	6m	0	0	0.1875	3/16"	5mm
20'	6m	10	6	0.3125	5/16"	8mm
20'	6m	20	11	0.3750	3/8"	10mm
20'	6m	30	17	0.5000	1/2"	13mm
20'	6m	40	22	0.6250	5/8"	16mm
30'	9m	0	0	0.2500	1/4"	6mm
30'	9m	10	6	0.4688	15/32"	12mm
30'	9m	20	11	0.5625	9/16"	14mm
30'	9m	30	17	0.7500	3/4"	19mm
30'	9m	40	22	0.9375	15/16"	24mm
40'	12m	0	0	0.3750	3/8"	10mm
40'	12m	10	6	0.6250	5/8"	16mm
40'	12m	20	11	0.7500	3/4"	19mm
40'	12m	30	17	1.0000	1"	25mm
40'	12m	40	22	1.2500	1-1/4"	32mm
50'	15m	0	0	0.5000	1/2"	13mm
50'	15m	10	6	0.7813	25/32"	20mm
50'	15m	20	11	0.9375	15/16"	24mm
50'	15m	30	17	1.2500	1-1/4"	32mm
50'	15m	40	22	1.5625	1-9/16"	40mm
60'	18m	0	0	0.6250	5/8"	16mm
60'	18m	10	6	0.9375	15/16"	24mm
60'	18m	20	11	1.1250	1-1/8"	29mm
60'	18m	30	17	1.5000	1-1/2"	38mm
60'	18m	40	22	1.8750	1-7/8"	48mm

**Note - Double the gap for expansion gaps between sections of flooring.
Flooring sections in excess of 60 ft / 18m, must have expansion gaps within.**

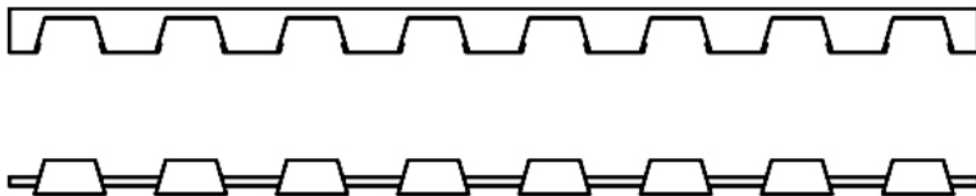
PLASTIC FLOORING OPTIONS HOG FLOORING

2090675 - PL. FINISHER 18" OC X 24" LG.

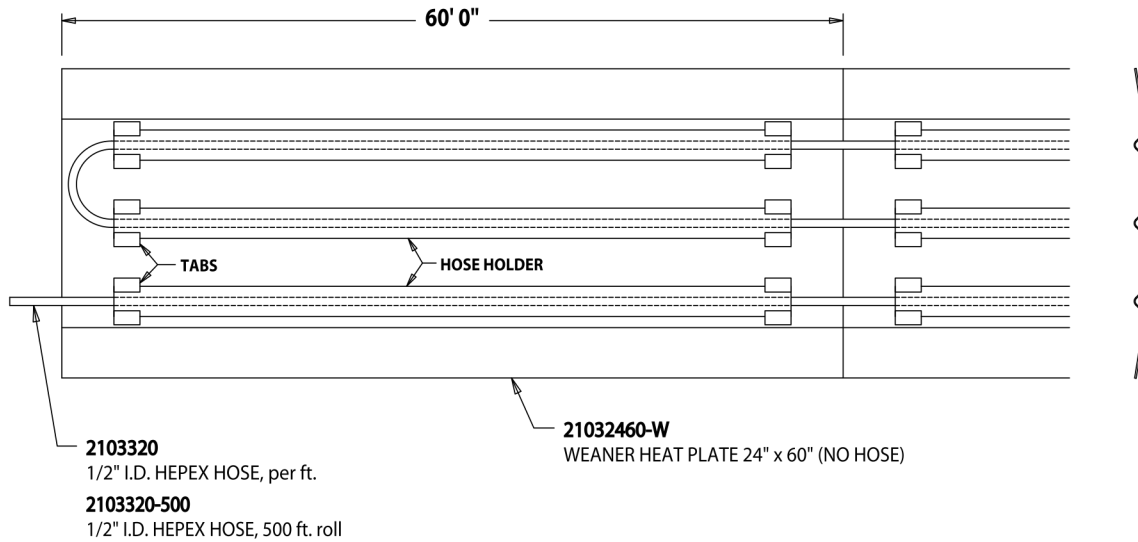


2099600-E

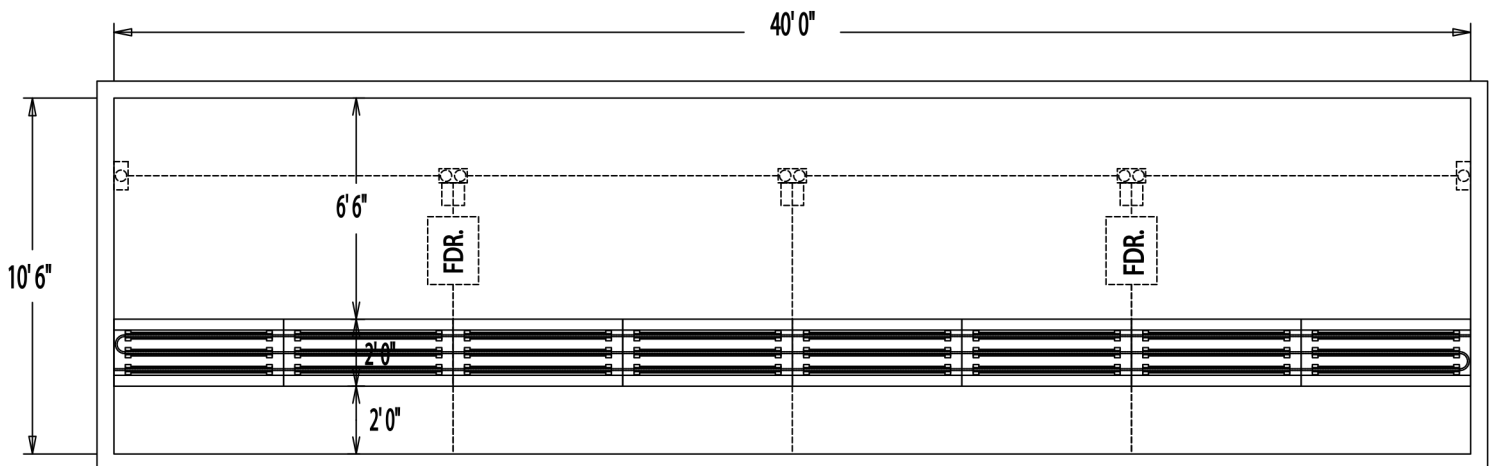
PLASTIC END CAP 24" LG. (L + R)



ASSEMBLY



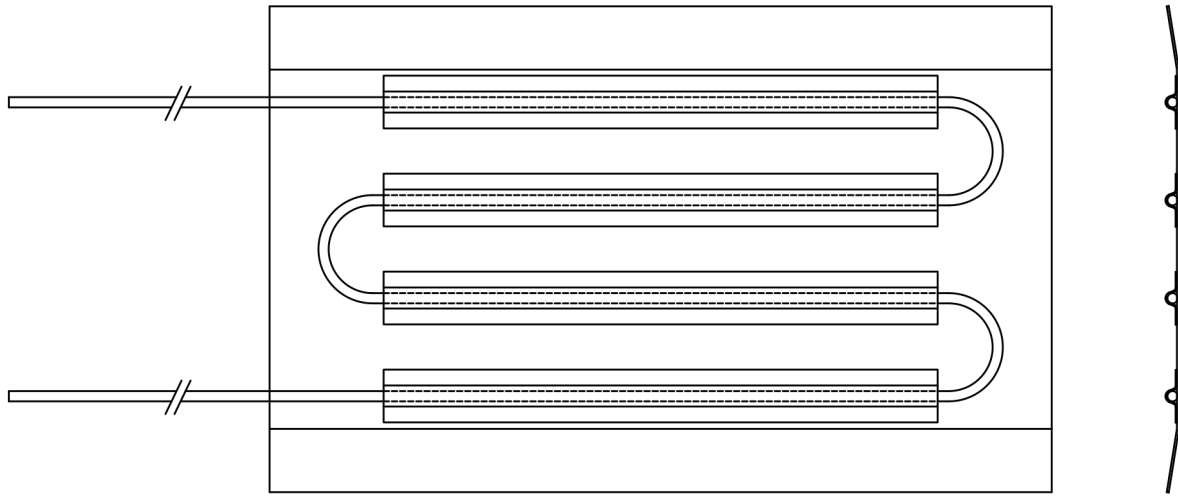
TYPICAL WEANER HEAT PLATE INSTALLATION



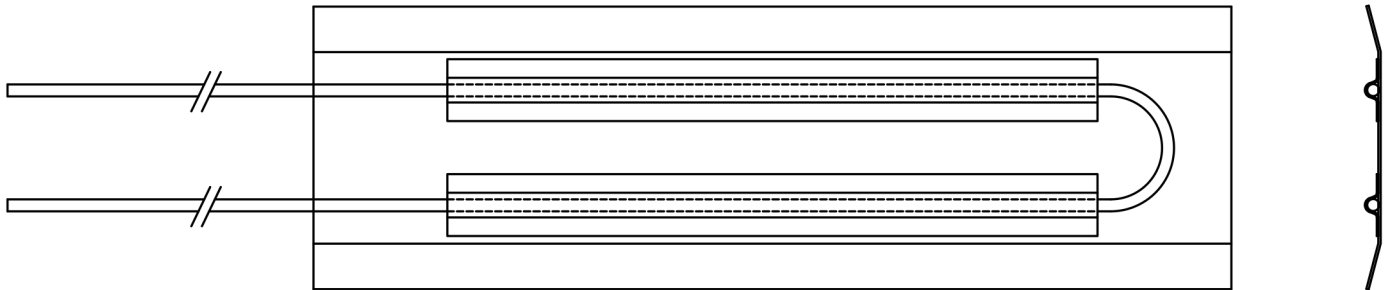
INSTALLATION INSTRUCTIONS

- 1) Lay heat plates on floor with hose holders facing up.
- 2) Run a continuous length of hose through all heat plates being installed.
- 3) Slide a hose holder over hepex hose and under tabs.
- 4) Turn all heat plates right side up.

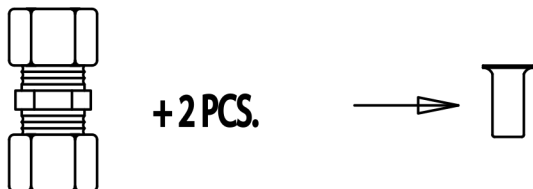
21033048-F
HEAT PLATE 30" X 48" + 10' HOSE + COUPLER



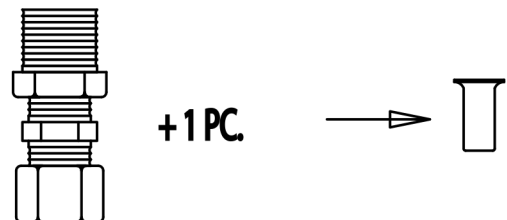
21031548-F
HEAT PLATE 15" X 48" + 10' HOSE + COUPLER



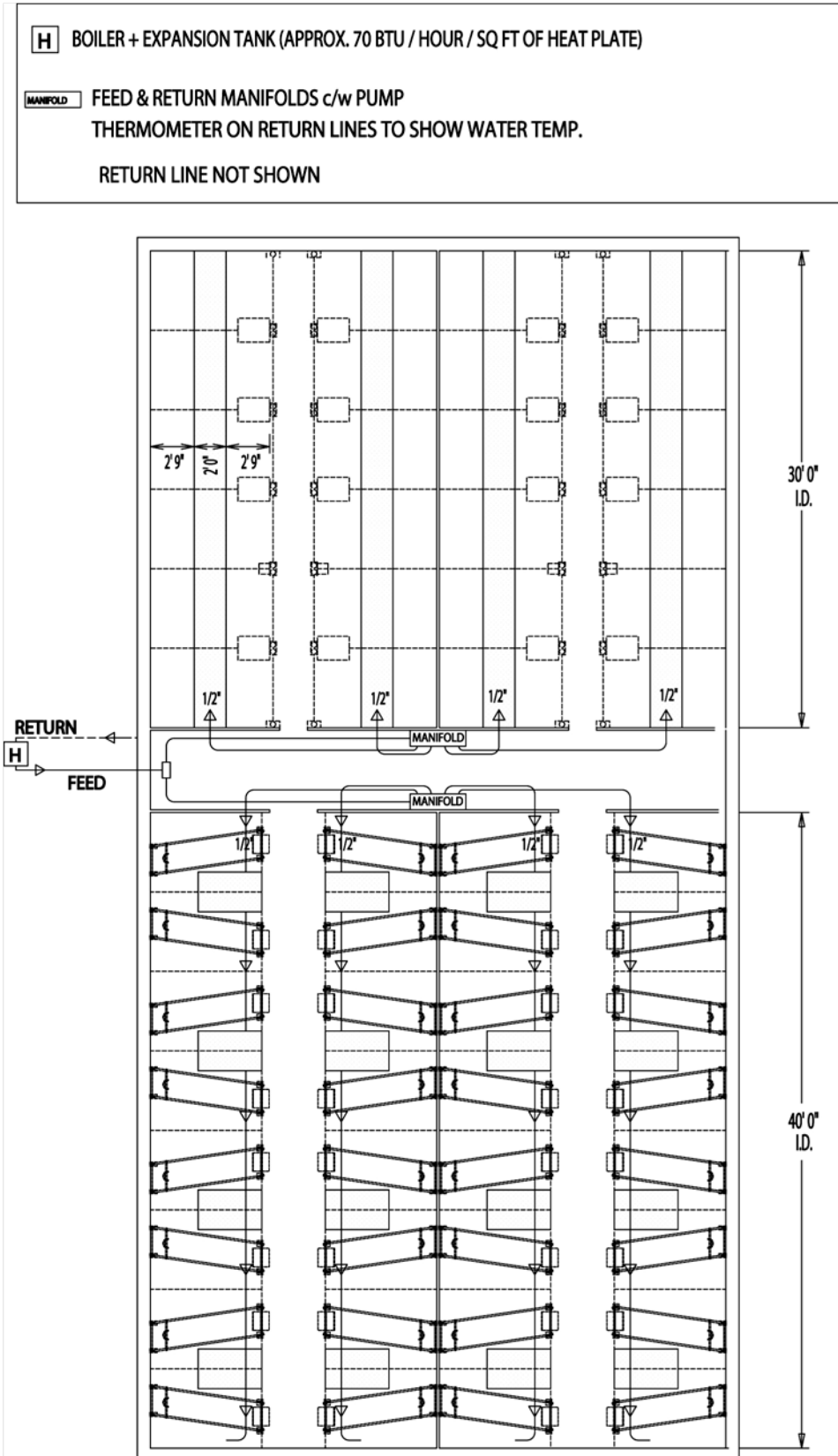
2103324-4
BAG OF 4 COUPLER/ 5/8" OD HOSE



2103325-4
BAG OF 4 NPT 1/2" X 5/8" OD HOSE



ASSEMBLY



T-BOLTS

2099220
PKG OF 4 T-BOLTS (BLOCK & WASHER)



1/4" x 1 1/4" S.S. BOLT

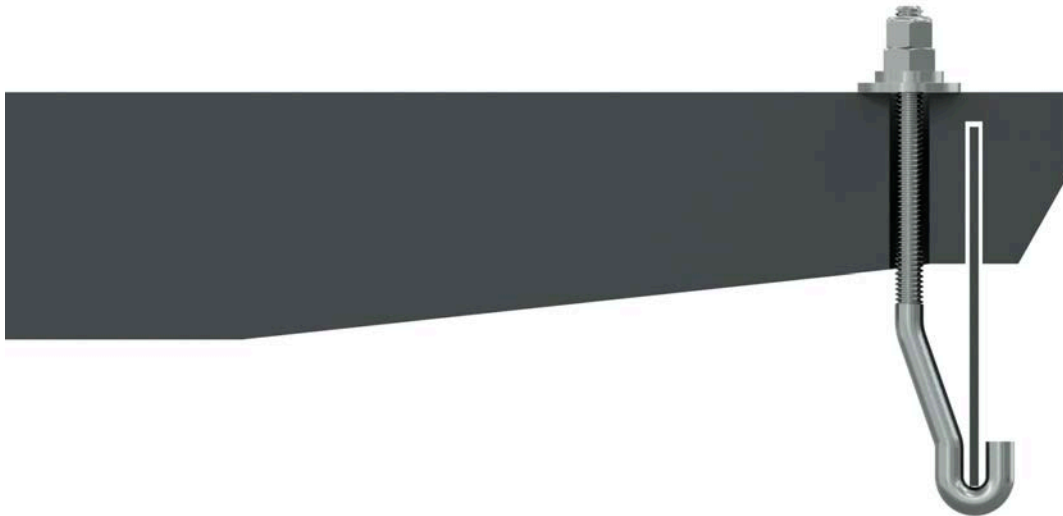
2100120-20
T-BOLT 2" LG. (BOX OF 20)



5/16" S.S.
THREADED
ROD

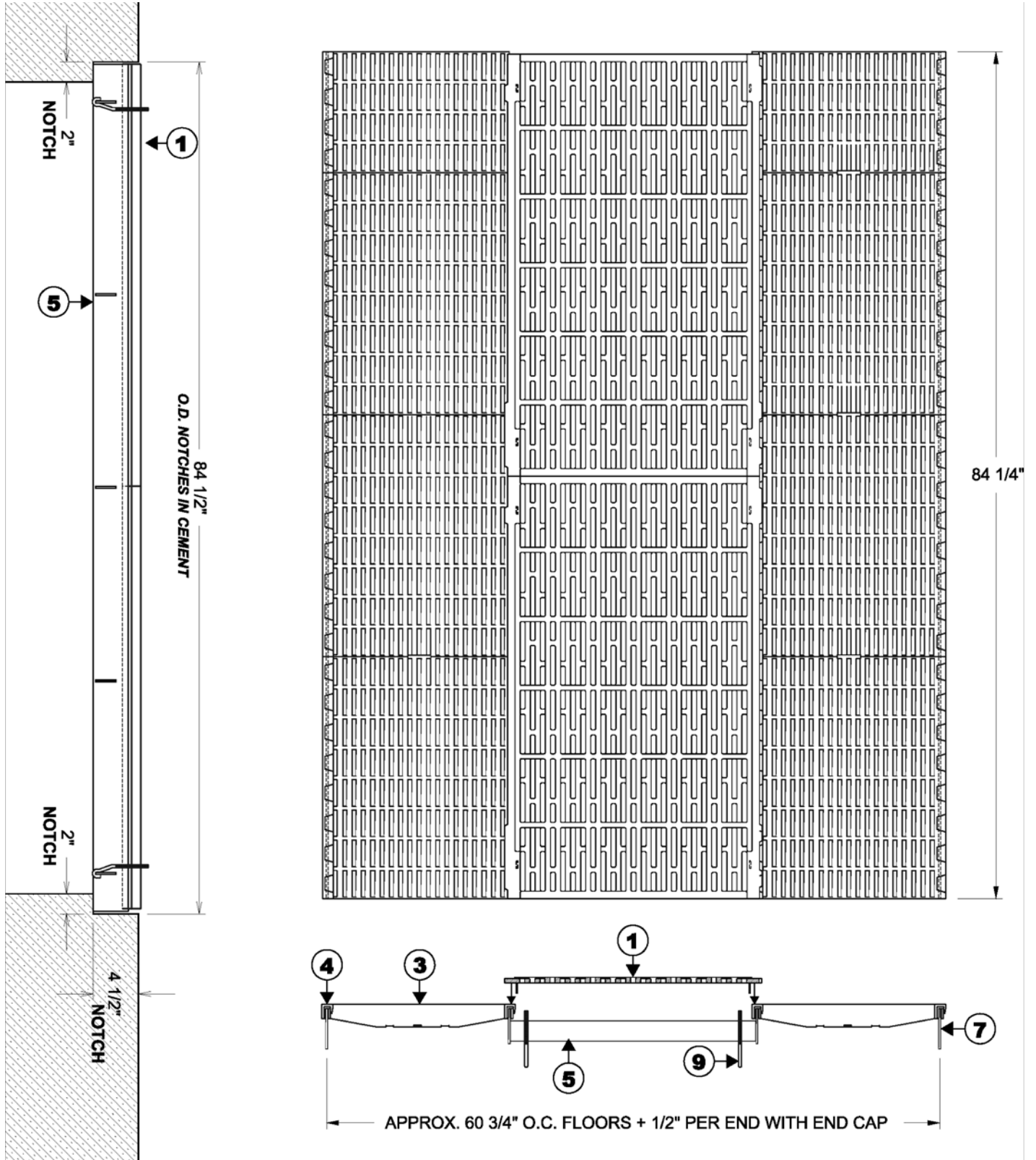
TOPLOCK J-BOLTS

2100135-20
J-BOLT 5 1/4" LG. (BOX OF 20)



3" & 3 1/2"
RAILS

- 2095C84-C - GALV. + CAST + TPL 60" X 84" (O.C. CREEP)
- 2095C90-C - GALV. + CAST + TPL 60" X 90" (O.C. CREEP)
- S2095C84-C - SS + CAST + TPL 60" X 84" (O.C. CREEP)
- S2095C90-C - SS + CAST + TPL 60" X 90" (O.C. CREEP)

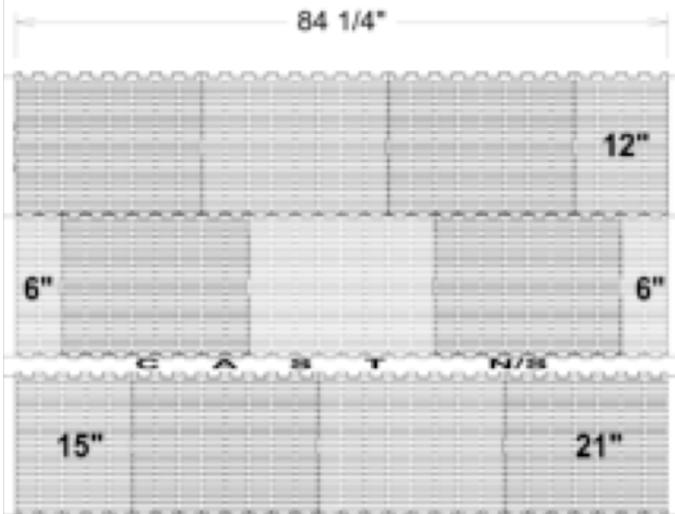


ASSEMBLY

84" FLOOR

CUT SLATS AS SHOWN FOR MIN. WASTAGE

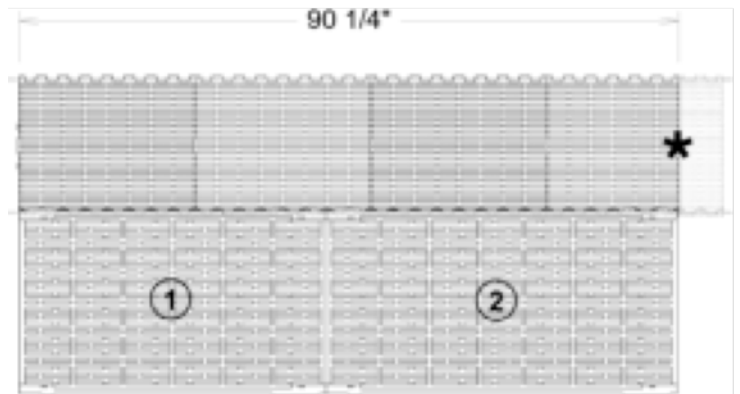
- * Leave full thickness of rib when cutting slats to fit*
- Correct amount of slats included in each 5 x 7 floor



90" FLOOR

CUT SLATS AS SHOWN FOR MIN. WASTAGE

- * Leave full thickness of rib when cutting slats to fit*
- Cut approximately 6" off last slat in each row
- This 6" is waste and is not reused



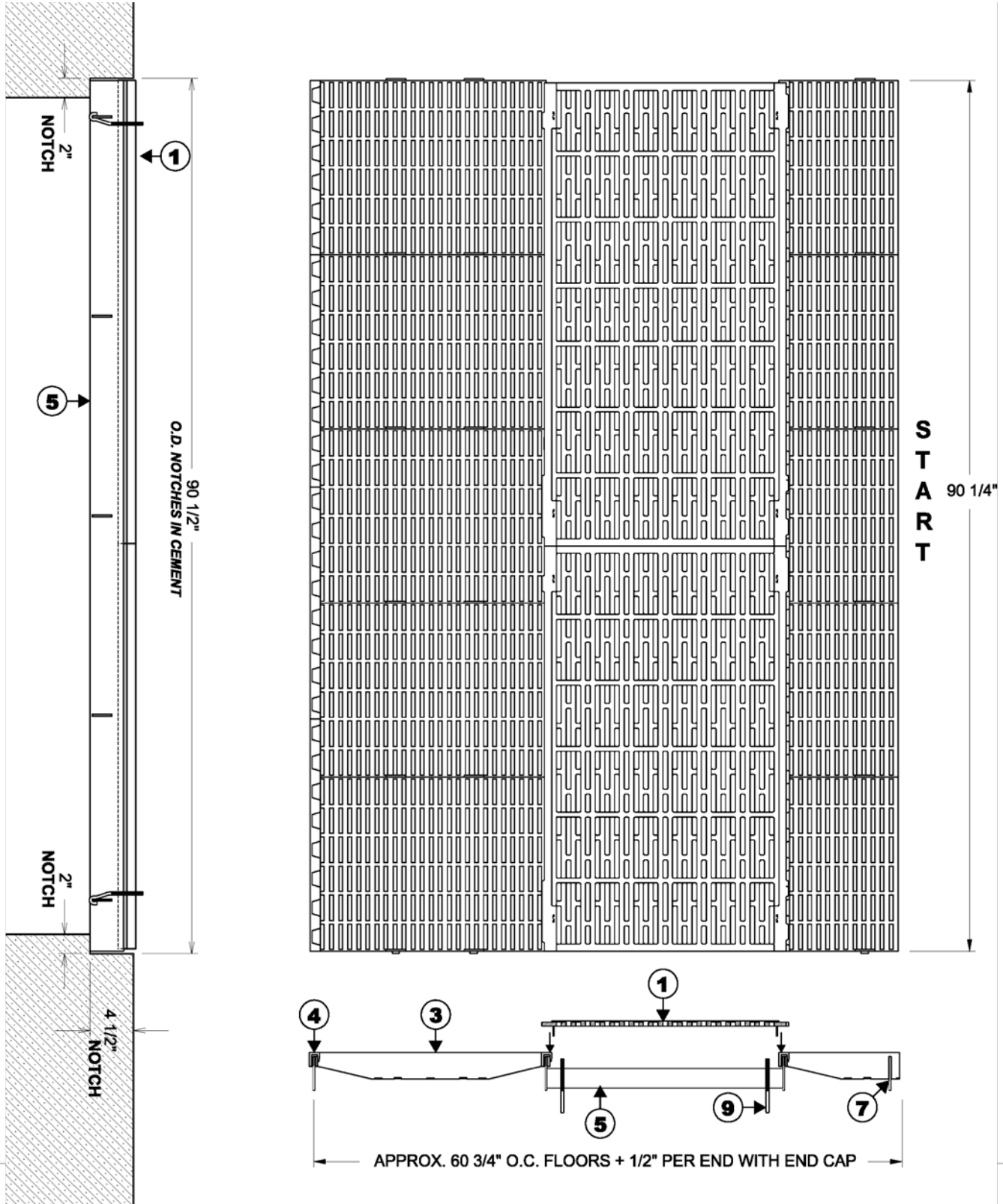
ILLUS.	DESCRIPTION	PART #
1	CAST 24 3/8" O.C. WIDE X 42" LG.	2096942
2	CAST 24 3/8" O.C. WIDE X 48" LG.	2096948
3	PLASTIC NURSERY FLOOR 18" X 24"	2099650
4	PLASTIC ENDCAPS 24" LG. (L + R)	2099600-E
5	24 3/8" X 84" GALV. FRM/CAST	2095984
N/S	24 3/8" X 90" GALV. FRM/CAST	2095990
7	GALV. RAIL 3.5" X 84"	2090927
N/S	GALV. RAIL 3.5" X 90"	2090927.5
9	PKG. 4 J-BOLTS/24 3/8" O.C. CAST	2096960

NOTE: THESE FRAMES AND RAILS ARE ALSO AVAILABLE IN STAINLESS STEEL

ASSEMBLY INSTRUCTIONS

- 1) Start by snapping plastic slats together to make a 1 pc. unit. (18" wide x 84" or 90" long).
- 2) Install small endcaps to first row of flooring. Insert the first rail in this groove.
- 3) Insert galv. frame in the leading tabs of first row of slats. Snap large endcaps over tabs to create a ledge for cast to sit on. Install endcaps to a row of flooring. Place this row of slats (with endcaps) over second rail of frame. Continue installing slats & frames until entire pit length is covered.
- 4) Lay in cast pieces.
- 5) J-bolts to fasten crate will hook around cross support of frame.

2096C84-F - GALV. + CAST + TPL 60" X 84" (OFFSET CREEP)
 2096C90-F - GALV. + CAST + TPL 60" X 90" (OFFSET CREEP)
 S2096C84-F - SS + CAST + TPL 60" X 84" (OFFSET CREEP)
 S2096C90-C - SS + CAST + TPL 60" X 90" (OFFSET CREEP)



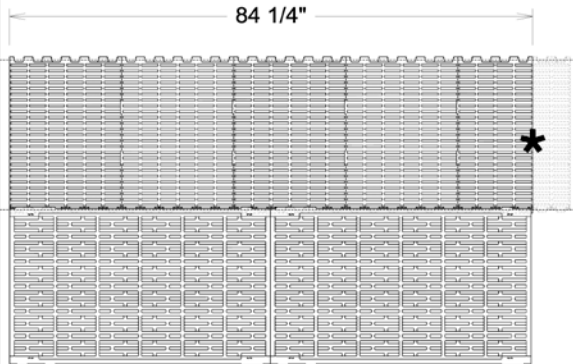
ASSEMBLY

84" FLOOR

CUT SLATS AS SHOWN FOR MIN. WASTAGE

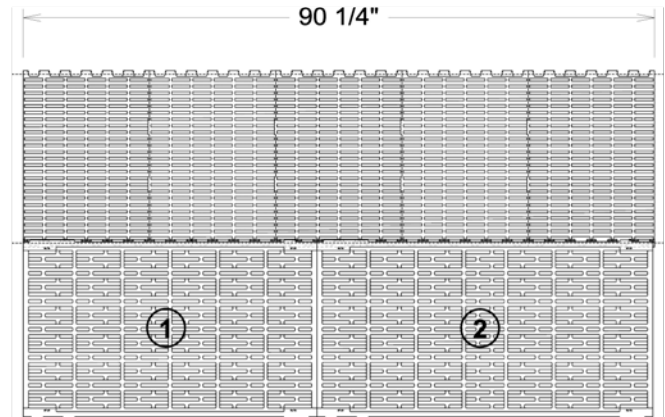
Leave full thickness of rib when cutting slats to fit

- Cut approximately 6" off last slat in each row
- This 6" is waste and is not reused



90" FLOOR

FITS 90" FLOOR PERFECTLY



ILLUS.	DESCRIPTION	PART #
1	CAST 24 3/8" O.C. WIDE X 42" LG.	2096942
2	CAST 24 3/8" O.C. WIDE X 48" LG.	2096948
3	PLASTIC NURSERY FLOOR 24" X 18"	2099750
4	PLASTIC ENDCAPS 24" LG. (L + R)	2099600-E
N/S	24 3/8" X 84" GALV. FRM/CAST	2095984
5	24 3/8" X 90" GALV. FRM/CAST	2095990
7	GALV. RAIL 3.5" X 84"	2090927
N/S	GALV. RAIL 3.5" X 90"	2090927.5
9	PKG. 4 J-BOLTS/24 3/8" O.C. CAST	2096960

NOTE:
THESE FRAMES AND
RAILS ARE ALSO
AVAILABLE IN
STAINLESS STEEL

ASSEMBLY INSTRUCTIONS

- 1) Start by snapping plastic slats together to make a 1 pc. unit. (24" wide x 84" or 90" long).
- 2) Cut preassembled floor in half to make 2 pcs. 12" x 84".
If you have an even # of crates you will end up using leftover 12" x 84" cut piece.
If you have an odd # of crates you will end up with a 24" x 84" floor.
Use left over 12" x 84" pc. for completing next pit length.
- 3) Cut a groove in end for rail, APPROXIMATE. 1" from edge of slat.
- 4) Insert first rail in cut groove.
- 5) Insert frame in the leading tabs of first row of slats. Snap large endcaps over tabs to create a ledge for cast to sit on. Install endcaps to another row of flooring. Place this row of slats (with endcaps) over second rail of frame pc. Continue installing slats & frames until entire pit length is covered.
- 6) Lay in cast pieces.
- 7) J-bolt to fasten crate will hook around cross support of frame. (Extra T-bolts required for euro crates).