



Swing Arm TV Wall Mount

Model Number: ASWM65-0519

INSTRUCTION MANUAL

AFTER SALES SUPPORT

  1300 886 649

 www.tempo.org

Model: ASWM65-0519 Product Code: 7418 05/2019

Welcome

Congratulations on choosing to buy a BAUHN® product. All products brought to you by BAUHN® are manufactured to the highest standards of performance and safety and, as part of our philosophy of customer service and satisfaction, are backed by our comprehensive 1 Year Warranty. We hope you will enjoy using your purchase for many years to come.

Contents

Welcome	2
Warranty Details	4
General Safety Instructions	5
Parts List	6
Installation	7
Repair and Refurbished Goods or Parts Notice	13



Swing Arm TV Wall Mount

Warranty Details

Register your purchase at www.aldi.com.au/en/about-aldi/product-registration to stay updated with important product information

The product is guaranteed to be free from defects in workmanship and parts for a period of 12 months from the date of purchase. Defects that occur within this warranty period, under normal use and care, will be repaired, replaced or refunded at our discretion. The benefits conferred by this warranty are in addition to all rights and remedies in respect of the product that the consumer has under the Competition and Consumer Act 2010 and similar state and territory laws. Our goods come with guarantees that cannot be excluded under the Australian Consumer Law. You are entitled to a replacement or refund for a major failure and to compensation for any other reasonably foreseeable loss or damage. You are also entitled to have the goods repaired or replaced if the goods fail to be of acceptable quality and the failure does not amount to a major failure.

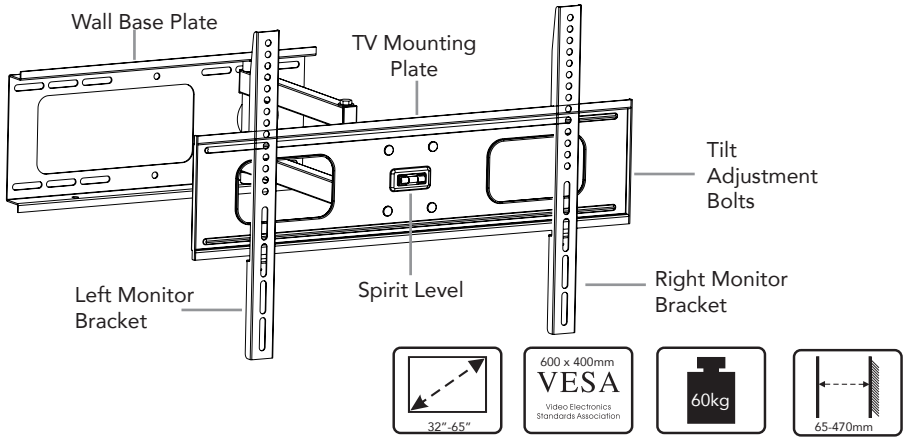


General Safety Instructions

Read this manual thoroughly before installing the Swing Arm TV Wall Mount to ensure your personal and other people's safety and to avoid any property loss. If you do not understand these directions, or have any questions in relation to the safety of the installation, we recommend you contact a qualified professional. For all other general inquiries, please contact the after sales support line on the number at the bottom of the page.

- Before installation, check carefully to ensure that there are no missing or defective parts. All parts are listed and illustrated on the following page.
- Never use defective parts. Our customer service representatives can quickly assist you with installation questions and replacement for missing or defective parts.
- Do not use this product for any purpose that is not explicitly specified in this manual.
- Improper installation may cause damage or serious injury.
- We assume no liability for any eventual damage or injury caused by incorrect mounting, incorrect assembly or incorrect use.
- This product is not intended for use by persons (including children) with reduced physical, sensory or mental capabilities, unless they have been given supervision or instruction by a person responsible for their safety.
- This is not a toy. Keep the Swing Arm TV Wall Mount away from infants and children. Young children should be supervised to ensure they do not play with the product.
- Mount the wall plate far away from any water source and direct sunlight.
- Be aware of the health hazard associated with asbestos fibres potentially present in the wall structure when drilling.
- **WARNING:** Choose a structurally sound wall area that is strong enough to hold the weight of the TV as well as the wall mount.
- **WARNING:** DO NOT attach the wall mount to a hollow wall or decorative room divider.
- **Only use this Swing Arm TV Wall Mount in accordance with the technical specifications below:**
 - Size of flat panel TV: 32"-65" (81-165cm)
 - Maximum load: 60kg (132.3lbs)
 - Adjustable angle: $\pm 20^\circ$ up/down, $\pm 90^\circ$ left/right
 - Distance from wall: 65-470mm
 - Max. VESA 600x400

Parts List



Assembly Hardware

The illustration below is to help you identify the parts that you will need to assemble this wall mount. Some parts are not shown at the same scale.



(A)
M8 x 50mm
(6pcs)



(B)
ø10 x ø8 x
L50 (6pcs)



(C)
ø 8.5 x ø19 x
T1.6 (6pcs)



(D)
M5-M8
(4pcs)



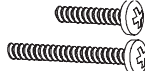
(E)
ø 8 x 14mm
(4pcs)



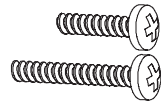
(F)
M4 x 15mm
(4pcs)



(G)
M5 x 15mm
(4pcs)
M5 x 25mm
(4pcs)



(H)
M6 x 15mm
(4pcs)
M6 x 25mm
(4pcs)



(I)
M8 x 15mm
(4pcs)
M8 x 30mm
(4pcs)



(J)
Allen Key
(1pcs)

Installation

Make sure you read and understand all instructions. Handle and use all materials strictly according to the instructions. If you do not understand these directions, or have any questions in relation to the safety of the installation, we recommend you contact a qualified professional.

WARNING: Be sure to choose a structurally sound wall area that is strong enough to hold the weight of the TV as well as the wall mount. Mount the wall plate far away from any water source and direct sunlight.

TIP: Installation of the Wall Mount will be easier with two people.

WARNING: DO NOT attach the wall mount to a hollow wall or decorative cardboard.

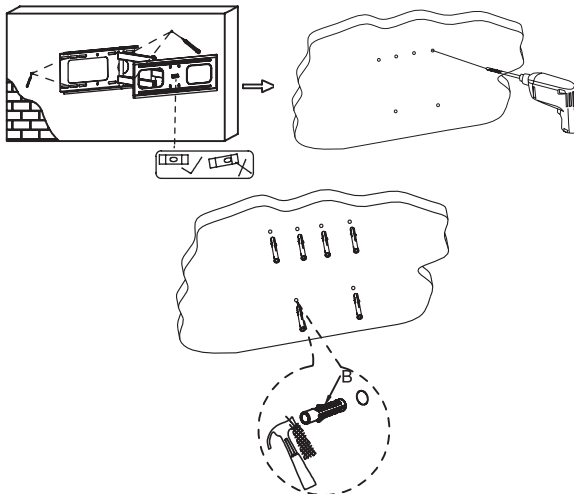
Tools Required: To complete the following steps you will need a pencil, a Philips-head screwdriver, a power drill, a hammer and a wall stud finder.

Step 1: Preparation

For a brick or concrete wall: Using the wall base plate as a template, mark six holes. Pre-drill holes of 10mm diameter and 60mm depth in a concrete or brick wall. Then wedge the six plastic concrete anchors (B) into the holes, as illustrated below.

NOTE: Ensure that you align the holes so that the spirit level is flat and even.

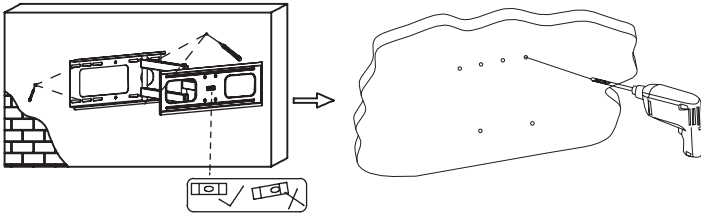
WARNING: Do not drill into mortar joints.



Installation (Cont.)

Step 1: Preparation

For a wood stud wall: Using the wall base plate as a template, drill six holes of 5mm diameter and 60mm depth into the wood stud wall.



NOTE: When you are installing the wall mount to a wood stud wall, consult your builder for advice. The wall must be strong enough for the weight of the wall mount and the TV.

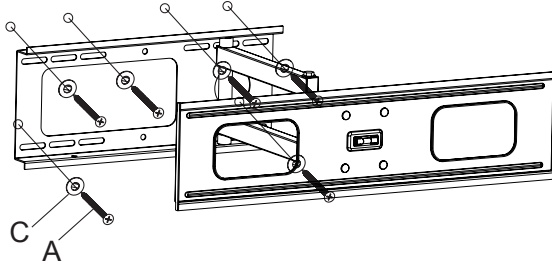
WARNING: You must spread the wall plate across two studs.

Installation (Cont.)

Step 2: Attaching the Wall Plate

For a brick or concrete wall: Hold the wall plate to the wall and align the holes in the plate to the holes drilled into the wall.

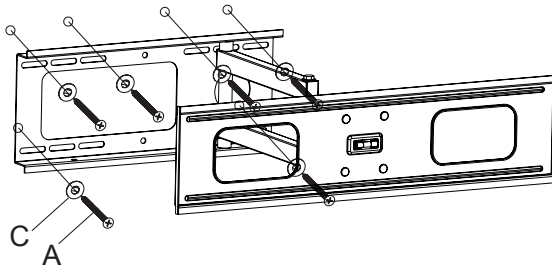
Screw the wall plate to the wall with the six self-tapping screws (A): insert them through the six flat washers (C) into each plastic anchor (B) in the wall and then tighten the screws.



Step 2: Attaching the Wall Plate

For a wood stud wall: Hold the wall plate to the wall and align the holes in the plate to the holes drilled into the wall.

Screw the wall plate to the wall with the six self-tapping screws (A), inserting them through the six flat washers (C).



NOTE: When you are installing the wall mount to a wood stud wall, consult your builder for advice. The wall must be strong enough for the weight of the wall mount and the TV.

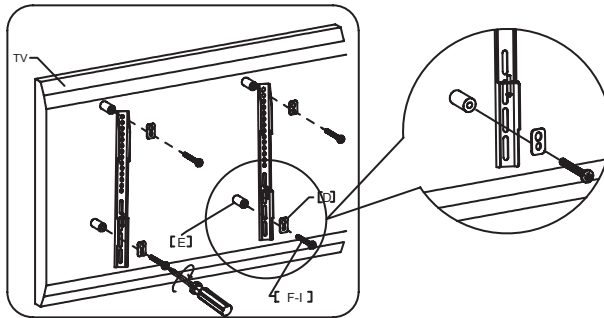
Installation (Cont.)

Step 3: Attaching the Monitor Brackets to the TV

Lay your TV face down on something soft so as not to scratch the TV screen. Check the back of your TV to find the appropriate mounting pattern.

Select the appropriate bolts (F/G/H/I) that fit the thread holes at the back of your TV monitor. Due to the many varieties of television, you may need to visit your local hardware supplier to find the correct bolt and washer sizes.

To affix the left and right monitor brackets to the back of the TV display panel, put the mounting arms on the back of the of your TV so that the mounting pattern holes are showing through the holes of the mounting arms. Then insert the four selected bolts through the alignment washers (D), as illustrated below, to attach the mounting arms to the rear of the TV. Use the plastic spacers (E), if necessary.

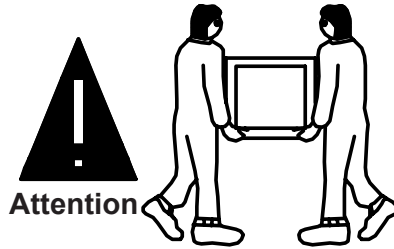


When affixing the monitor brackets, make sure that the sides of the brackets with the hooks are towards the top of the display. Use the holes in the centre, if possible, and ensure the mounting holes are at the same level.

NOTE: The plastic spacers (E) may be required, depending on the design of your TV's back panel.

Installation (Cont.)

NOTE: At least two people are required to finish this mounting procedure. Do not attempt to assemble this wall mount independently, as it may result in incorrect assembly or injury.

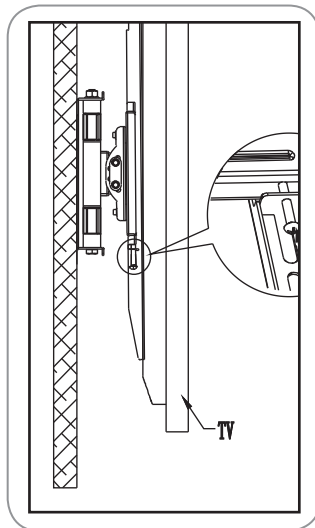


Step 4: Securing the TV

Carefully lift TV and hook the mounting arms over the front plate. Do not let go of the TV until it is securely in place on the brackets.

Tighten the two bolts under the monitor brackets to secure the TV using a Philips-head screwdriver. This will help ensure that your TV does not fall off the wall mount during use.

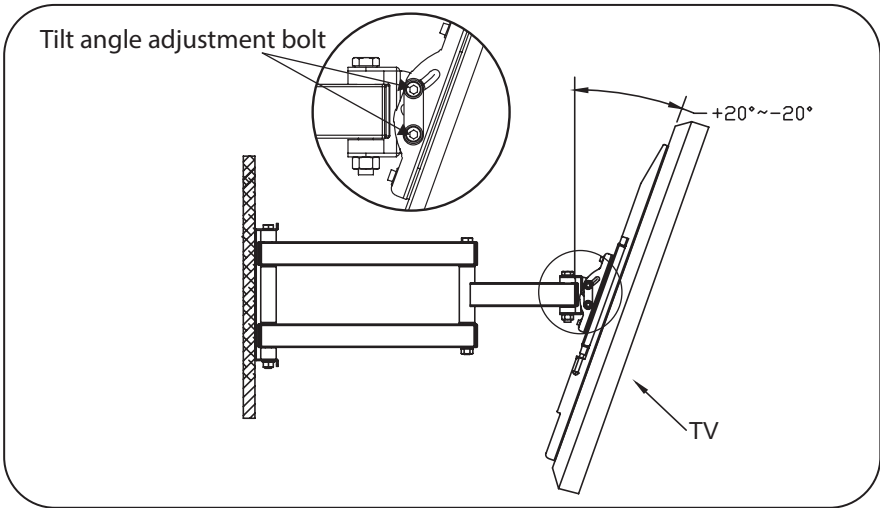
NOTE: While adjusting, please take care of your hands to avoid getting pinched, and pay attention to the cables' position to avoid damage.



Installation (Cont.)

Step 5: Adjusting the Viewing Angle

Before adjusting the direction and viewing angle for the flat panel TV, loosen the Allen bolts at the rear of the TV mounting plate with the Allen key provided (make sure that are only loose enough just to tilt the TV, and not so loose that the TV is not secured and can fall). The viewing angle can be adjusted to $\pm 20^\circ$. Tighten the bolts securely again once you have found your preferred viewing angle.



NOTE: Fixing a flat panel TV to a wall mount requires specialist knowledge. We assume no liability for any injury or material damage incurred due to incorrect assembly or use. Make sure to follow all instructions and if you require professional advice, please consult a relevant tradesperson.



Swing Arm TV Wall Mount

Repair and Refurbished Goods or Parts Notice

Unfortunately, from time to time, faulty products are manufactured which need to be returned to the supplier for repair.

Please be aware that if your product is capable of retaining user-generated data (such as files stored on a computer hard drive, telephone numbers stored on a mobile telephone, songs stored on a portable media player, games saved on a games console or files stored on a USB memory stick) during the process of repair, some or all of your stored data may be lost. **We recommend you save this data elsewhere prior to sending the product for repair.**

You should also be aware that rather than repairing goods, we may replace them with refurbished goods of the same type or use refurbished parts in the repair process.

Please be assured though, refurbished parts or replacements are only used where they meet ALDI's stringent quality specifications.

If at any time you feel your repair is being handled unsatisfactorily, you may escalate your complaint. Please telephone us on 1300 886 649 or write to us at:

Tempo (Aust) Pty Ltd ABN 70 106 100 252

PO Box 6056 Frenchs Forest, NSW 2086, Australia

Tempo Help Desk: 1300 886 649 (Aust)

(Operating Hours: Monday-Friday 8:30am-6pm; Saturday 9am-6pm AEST)

Email: info@tempo.org



This page has been left blank intentionally.

This page has been left blank intentionally.



Warranty returns

Should you for any reason need to return this product for a warranty claim, make sure to include all accessories with the product.

Product does not work?

If you encounter problems with this product, or if it fails to perform to your expectations, please contact our After Sales Support Centre on 1300 886 649 before returning it to the store for a refund.