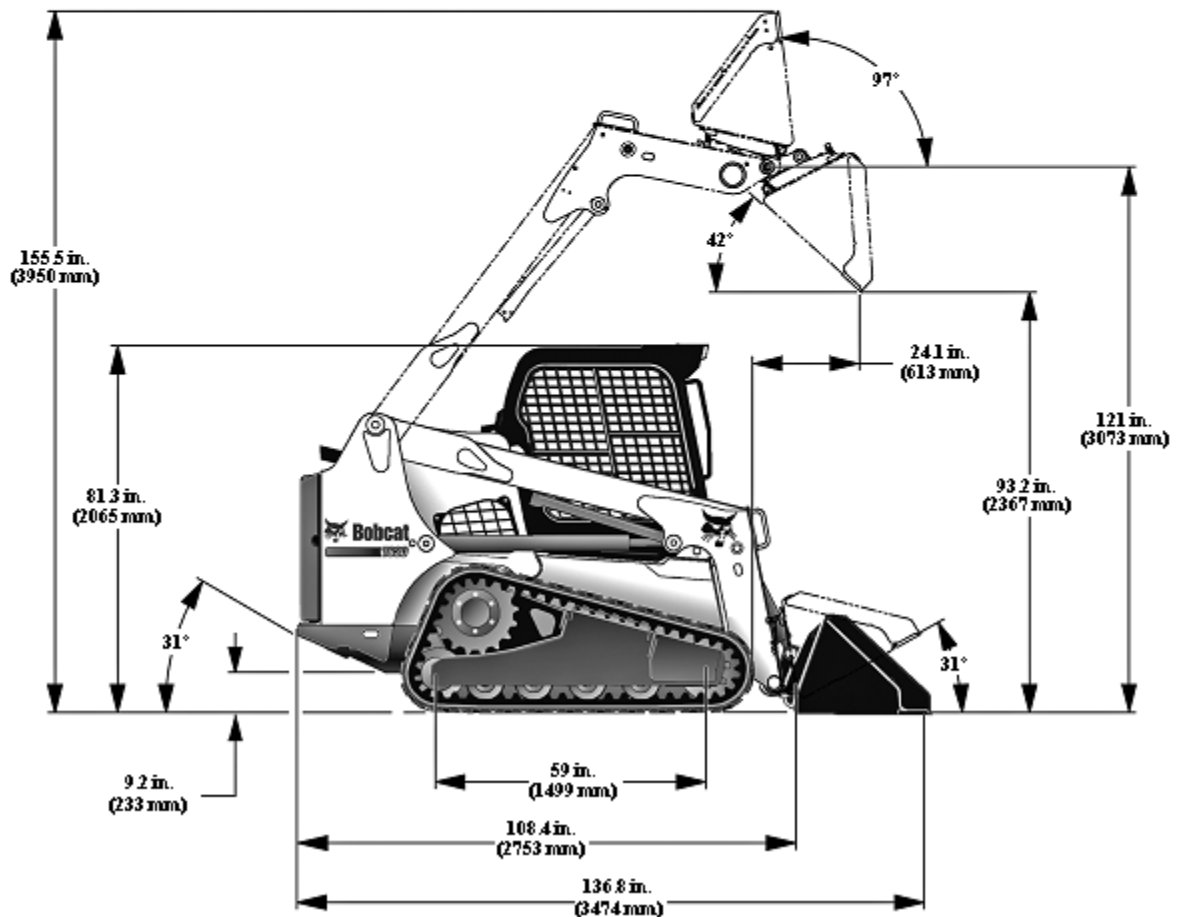
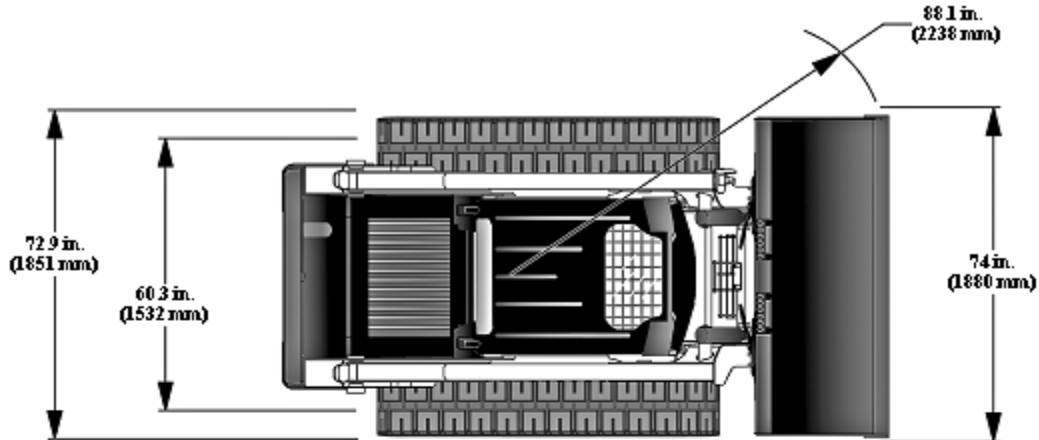


T630 COMPACT TRACK LOADER SPECIFICATIONS

Loader Dimensions

- Dimensions are given for loader equipped with standard track and 74 inch Heavy Duty Construction & Industrial bucket and may vary with other bucket types. All dimensions are shown in inches. Respective metric dimensions are given in millimeters enclosed by parentheses.
- Where applicable, specifications conform to SAE or ISO standards and are subject to change without notice.



Bobcat T630 Skid-Steer Loader Specifications

Performance

	ROLLER SUSPENSION UNDERCARRIAGE (OPTIONAL)	SOLID-MOUNTED UNDERCARRIAGE
Rated Operating Capacity	1980 lb. (898 kg)	2230 lb. (1012 kg)
with 200 Pound Frame Mounted Counterweight Kit	2080 lb. (943 kg)	2330 lb. (1057 kg)
with 300 Pound Frame Mounted Counterweight Kit	2155 lb. (977 kg)	2405 lb. (1091 kg)
Tipping Load	5657 lb. (2566 kg)	6371 lb. (2890 kg)
Operating Weight	9650 lb. (4377 kg)	9015 lb. (4089 kg)
Breakout Force - Lift	6200 lb. (2812 kg)	6200 lb. (2812 kg)
Breakout Force - Tilt	6000 lb. (2722 kg)	6250 lb. (2835 kg)
Push Force	6200 lb. (2812 kg)	5900 lb. (2676 kg)
Travel Speed - Single Speed Loader - Two-Speed Loader (option) Low Range High Range	0 - 6.6 mph (0 - 10,6 km/h) 0 - 6.1 mph (0 - 9,8 km/h) 0 - 10.7 mph (0 - 17,2 km/h)	0 - 6.6 mph (0 - 10,6 km/h) 0 - 6.1 mph (0 - 9,8 km/h) 0 - 10.7 mph (0 - 17,2 km/h)

Engine

Make / Model	Kubota / V3307-DI-TE3 Interim Tier IV
Fuel / Cooling	Diesel / Liquid
Horsepower - SAE J1995 Gross - ISO 9249 EEC / SAE J1349 Net	74.3 HP (55,4 kW) @ 2400 RPM 70.3 HP (52,4 kW) @ 2400 RPM
Torque - SAE J1995 Gross - ISO 9249 EEC / SAE J1349 Net	195.0 ft.-lb. (264,4 N•m) @ 1600 RPM 186.7 ft.-lb. (253,1 N•m) @ 1600 RPM
Low Idle RPM	1250 - 1450
High Idle RPM	2525 - 2650
Number of Cylinders	4
Displacement	203 cu. in. (3,3 L)
Bore / Stroke	3.70 in. / 4.72 in. (94 mm / 120mm)
Lubrication	Gear Pump Pressure System with Filter
Crankcase Ventilation	Closed Breathing
Air Cleaner	Dry replaceable paper cartridge with separate safety element
Ignition	Diesel - Compression
Air Induction	Turbo-Charged
Engine Coolant	Propylene Glycol / Water Mixture
Starting Aid	Glow Plugs - Automatically activated as needed in RUN position.

Bobcat T630 Skid-Steer Loader Specifications

Drive System

Main Drive	Fully hydrostatic, rubber track drive
Transmission	Infinitely variable tandem hydrostatic piston pumps, driving two fully reversing hydrostatic drive motors
Tracks (Tension)	Grease cylinder and spring

Controls

Vehicle Steering	Direction and speed controlled by two hand operated steering levers <i>or</i> optional joystick(s)
Loader Hydraulics - Lift and Tilt - Front Auxiliary - Rear Auxiliary (Option)	Controlled by separate foot pedals <i>or</i> optional Advanced Control System (ACS) <i>or</i> optional Selectable Joystick Controls (SJC) Controlled by electrical switch on Right Hand steering lever <i>or</i> joystick Controlled by electrical switch on Left Hand steering lever <i>or</i> joystick
Auxiliary Pressure Release	Pressure relieved through quick couplers; Push couplers in, hold for 5 seconds
Engine	Hand lever speed control; key-type start switch <i>or</i> optional Deluxe Instrumentation Panel and function error shutdown.
Starting Aid	Glow plugs automatically activated as needed by Instrument Panel
Service Brake	Two independent hydrostatic systems controlled by two hand operated steering levers <i>or</i> optional joystick(s)
Secondary Brake	One of the hydrostatic transmissions
Parking Brake (Standard)	Spring applied pressure release multi-disk brake activated by manually operated switch on left instrument panel

Bobcat T630 Skid-Steer Loader Specifications

Electrical System

Alternator	Belt driven, 90 amps, open frame
Battery	12 volts, 950 cold cranking amps @ 0° F (-18° C), 180 Minute reserve capacity @ 25 amps
Starter	12 volts, gear type, 4.02 HP (3,0 kW)
Instrumentation	<p>Gauges: Engine Coolant Temperature, Fuel Level.</p> <p>Warning lights: Fuel Level, Seat Belt, Engine Coolant Temperature, Engine Malfunction, Hydraulic System Malfunction, General Warning.</p> <p>Indicators: BICS Functions, Two-Speed, 3-Point Shoulder Belt, Turn Signals, Engine Preheat.</p> <p>Data Display: Operating Hours, Engine RPM, Speed Management Setting, Maintenance Clock Countdown, Battery Voltage, Service Codes, Engine Preheat Countdown, Steering Drift Compensation Setting, Drive Response Setting.</p> <p>Other: Audible Alarm, Lights, Option / Accessory Switches.</p> <p>Optional Deluxe Instrumentation Panel: *Additional displays for: Engine RPM, Coolant Temperature and Oil Pressure; System Voltage, Hydrostatic Charge Pressure and Hydraulic Oil Temperature. *Additional Features Included: Keyless Start, Digital Clock, Job Clock, Password Lockout, Multi-language Display, Help Screens, Diagnostic Capability and Engine / Hydraulic Systems Shutdown Function.</p>

Capacities

Fuel	27.3 Gal. (103,3 L)
Engine Oil with Filter Change	12.0 qt. (11,4 L)
Engine Cooling System with Heater without Heater	3.1 Gal. (11,7 L) 3.0 Gal. (11,4 L)
Hydraulic / Hydrostatic Reservoir	2.7 Gal. (10,2 L)
Hydraulic / Hydrostatic System	11.0 Gal. (41,6 L)
Hydrostatic Drive Motor (Each)	7.1 fl. oz. (210 mL)

Tracks

Standard	12.6 inch (320 mm) Rubber, C-Pattern
Optional	17.7 inch (450 mm) Rubber, C-Pattern

Ground Pressure

	ROLLER SUSPENSION UNDERCARRIAGE (OPTIONAL)	SOLID-MOUNTED UNDERCARRIAGE
Standard Track (12.6 in.)	5.8 PSI (0,40 bar)	5.5 PSI (0,38 bar)
Optional Track (17.7 in.)	4.2 PSI (0,29 bar)	4.0 PSI (0,28 bar)