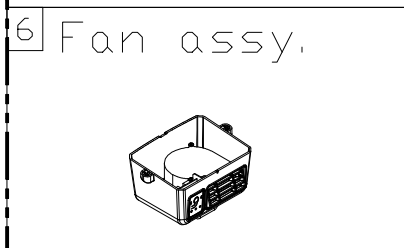
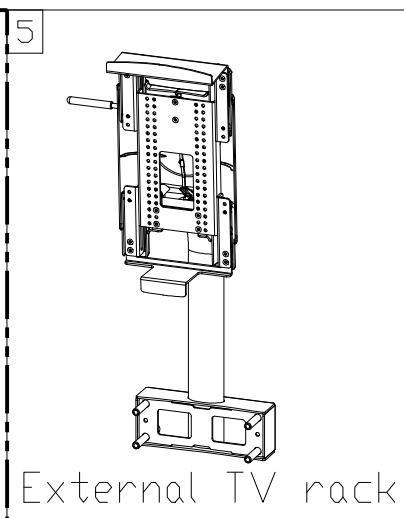
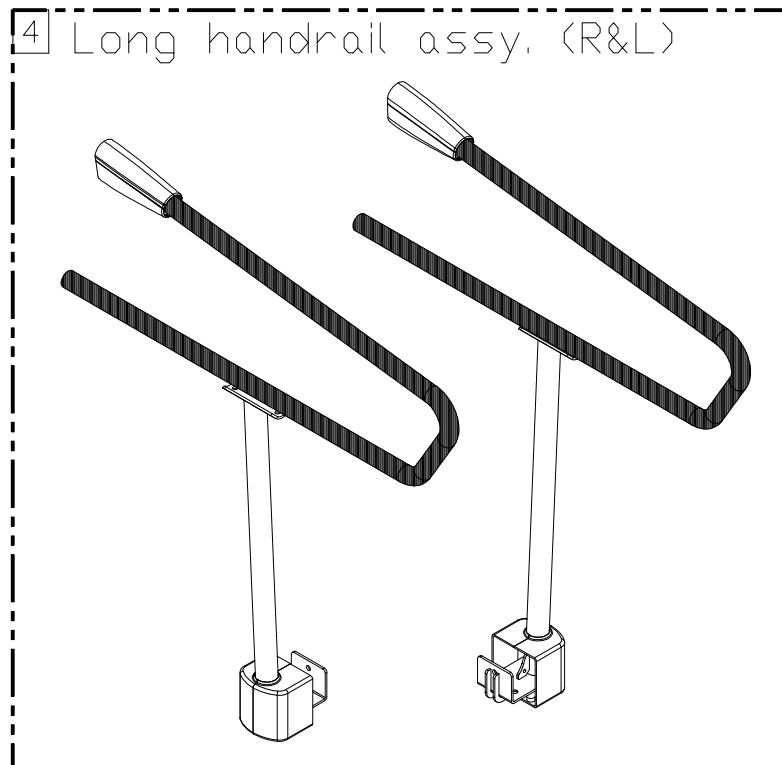
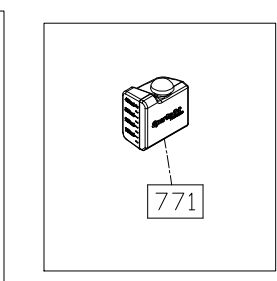
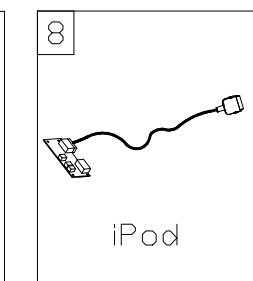
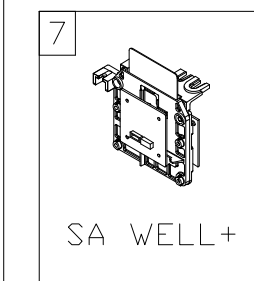
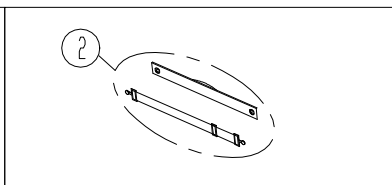
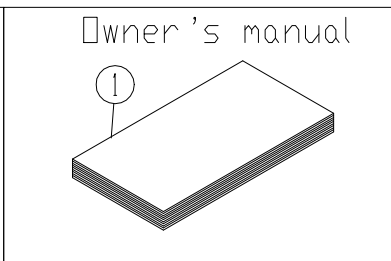
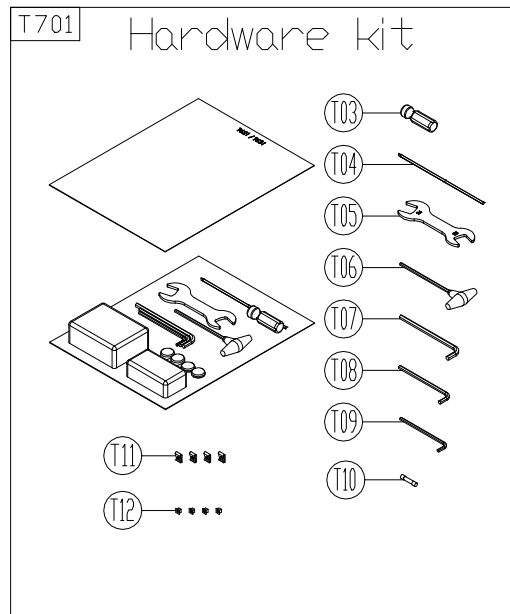
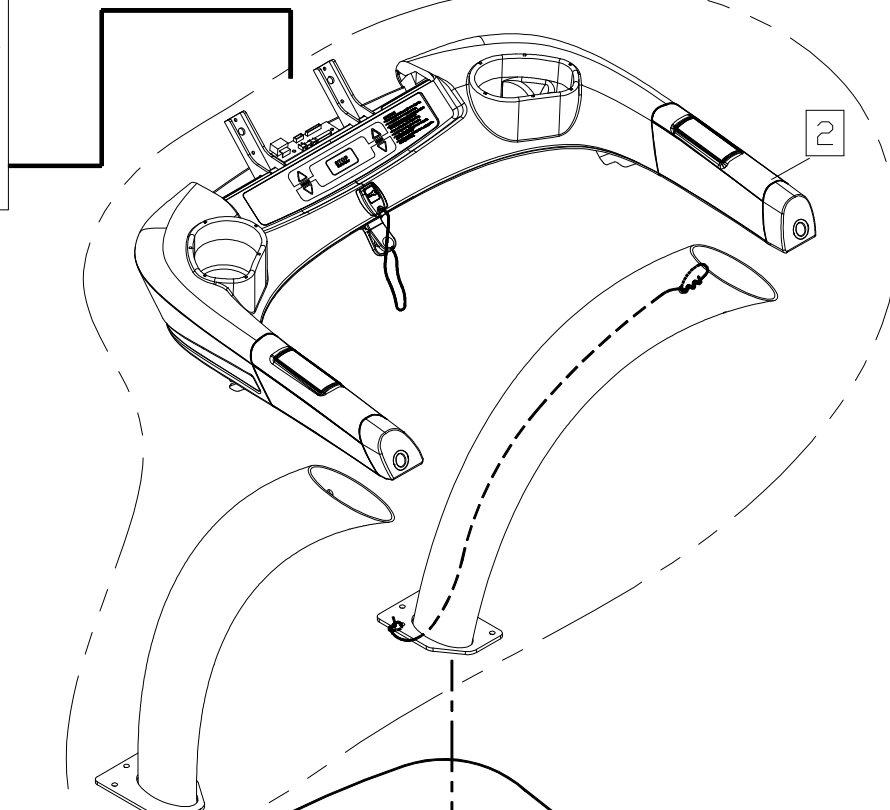
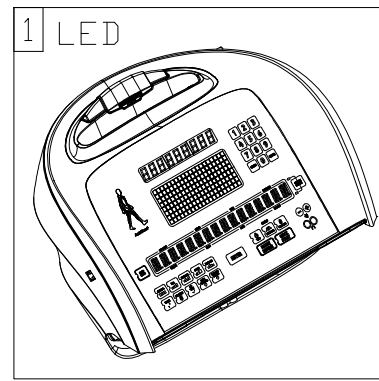


| BBL | Description | QTY | Part Number | BBL | Description | QTY | Part Number |
|------|--|-----|-------------|-------|--------------------------------|-----|-------------|
| 001 | OWNER'S MANUAL | 1 | T635-001 | 253 | CUP HOLDER RING - LEFT | 1 | T655-253 |
| 002 | POLAR HEART RATE STRAP | 1 | 3100-03A | 255 | SAFETY KEY | 1 | T650-41 |
| 010 | WIRE - BLUETOOTH BUTTON | 1 | C575U-010 | 257 | STICKER - SAFETY KEY | 1 | 062-663-020 |
| 011 | PLASTIC CARD COVER | 1 | T655-011 | 257.1 | SAFETY KEY PLATE | 1 | T611-035 |
| 013 | STICKER - QR CODE | 1 | C575U-013 | 262 | SCREW - M/P (M4*L10) | 2 | 002-210-002 |
| 014 | PLASTIC RIVET | 1 | C521M-093A | 265 | COWLING STICKER - RIGHT | 1 | T645-265 |
| 015 | SA WELL+ CAP | 1 | T645-015 | 266 | ZIP TIE | 9 | 000-076-242 |
| 016 | SCREW - M/P (M4*L8) | 2 | 002-210-001 | 267 | HTR CONTACT PLATE | 2 | T645-267 |
| 017 | RUBBER CUSHION | 1 | T645-017 | 270 | WIRE - HTR CONTACT | 2 | T652-164 |
| 018 | RUBBER CUSHION | 1 | C575U-018 | 271 | WIRE - DISPLAY TO FAN | 1 | T645-271 |
| 019 | SCREW - M/P (M4*L12) | 6 | 002-210-003 | 273 | SCREW - M/P (M5*0.8*L12) | 2 | 002-209-132 |
| 020 | SCREW CLIP - (M4-L16) | 2 | 1250-111 | 274 | SCREW - M/P (M4*L14) | 6 | 002-210-015 |
| 021 | WIRE - LED LIGHT | 1 | S715-017 | 275 | LOWER HANDLE COVER - RIGHT | 1 | T645-275 |
| 022 | SCREW - M/P (M4*L12) | 3 | 002-210-003 | 277 | SCREW - M/P (M5*0.8*L12) | 3 | 002-209-132 |
| 023 | WIRE CLIP - (1/4") | 3 | 000-076-430 | 278 | SCREW - M/P (M4*L14) | 18 | 002-210-015 |
| 025 | 900MHz OVERLAY CUTOUT | 1 | 000-063-982 | 279 | STICKER | 1 | 062-263-080 |
| 025 | NO 900MHz OVERLAY CUTOUT | 1 | 000-063-972 | 280 | COWLING STICKER - LEFT | 1 | 017-063-051 |
| 026 | STICKER - BUTTONS | 4 | 000-063-705 | 283 | LOWER HANDLE COVER - LEFT | 1 | T645-283 |
| 027 | SMALL CAP | 4 | 054-730-250 | 286 | SCREW - M/P (M5*L25) | 2 | 002-210-037 |
| 043 | WIRE - HTR BOARD TO DISPLAY | 1 | C575U-043 | 287 | STICKER - ROUND | 2 | T645-287 |
| 044 | HTR RECEIVER BOARD | 1 | C575U-044 | 288 | WIRE - HTR CONTACT TO BRD | 1 | C575R-487 |
| 046 | KEY CUSHION | 20 | 032-630-280 | 304 | SCREW - M/P (M5*P0.8*L20) | 2 | 002-211-264 |
| 047 | WIRE - HEADPHONE JACK | 1 | 065-727-540 | 304R | WASHER - F (D13*D6.4-6.5*T1.0) | 2 | 003-301-066 |
| 060 | SCREW - M/P (M4*L8) | 2 | 002-210-001 | 304S | WASHER - R (D15*D5.8*T2) | 2 | 003-308-012 |
| 061 | USB BOARD FRAME | 1 | T655-061 | 305 | WATER GUARD | 1 | T635-305 |
| 062 | HEX SPACER | 4 | C575U-062 | 307A | BRIDGE BOARD (NEW) | 1 | T645-307 |
| 063 | USB BOARD | 1 | C575U-063 | 308 | PLASTIC SLEEVE (D8.9*D5.1*5) | 2 | 010-541-013 |
| 064 | SCREW - P (M3*P0.5*L6) | 4 | C575U-064 | 319 | TWIST TIE | 1 | 100-076-201 |
| 095 | DISPLAY BOARD - OLD (NO CHIP) | 1 | T655-095 | 320 | STICKER - CABLE FEED | 1 | 000-063-110 |
| 095A | DISPLAY BOARD - V4.0 (INTEGRATED CHIP) | 1 | 165-820-175 | 321 | WATER GUARD RING (SMALL) | 2 | T645-321 |
| 095B | DISPLAY BOARD - OLD (WITH CHIP) | 1 | T655-707 | 321A | WATER GUARD RING (LARGER) | 2 | 064-230-320 |
| 097 | SCREW - P (M3*L8) | 20 | 002-212-042 | 322 | SCREW HEAD CAP | 2 | T645-322 |
| 098 | WIRE - DISPLAY TO BRIDGE (OLD) | 1 | T655-098 | 323 | SCREW - M/H (M8*P1.25*L20) | 4 | 002-203-065 |
| 098A | WIRE - DISPLAY TO BRIDGE (NEW) | 1 | 068-127-060 | 324 | WASHER - S (D18*D8.5*T2.0*19T) | 2 | 003-304-063 |
| 099 | WIRE - DISPLAY TO PEDESTAL | 1 | T655-099 | 325 | SCREW HEAD CAP | 2 | T645-325 |
| 101 | WIRE - BOOTLOADER | 1 | C575U-101 | 326 | WASHER - S (D18*D8.5*T2.0) | 2 | 003-304-071 |
| 102 | WIRE - USB CHARGER | 1 | C575U-102 | 327 | SCREW HOLE CAP | 1 | C575U-314 |
| 116 | HTR BOARD | 1 | 061-620-093 | 328 | STICKER - LEFT | 1 | 000-063-044 |
| 117 | SCREW - P (M3*L8) | 2 | 002-212-042 | 329 | STICKER - RIGHT | 1 | 000-063-045 |
| 118 | WIRE - HTR TO DISPLAY | 1 | C575U-118 | 331 | SCREW - B/H (M8*P1.25*L20) | 6 | 002-205-820 |
| 147 | SCREW - M/P (M4*L14) | 4 | 002-210-015 | 332 | WASHER - SP (M8) | 6 | 003-302-010 |
| 153 | CSAFE BOARD | 1 | C575U-153 | 333 | WASHER - S (D18*D8.5*T2.0*19T) | 6 | 003-304-063 |
| 154 | SCREW - P (M4*L8) | 2 | 002-212-070 | 370 | WIRE - PEDESTAL TO DRIVE | 1 | T635-370 |
| 155 | WIRE - CSAFE TO USB | 1 | T655-155 | 400 | STICKER - MADE IN TAIWAN | 1 | 000-063-030 |
| 159 | STICKER - ROUND | 1 | T655-159 | 401 | STICKER - PATENT | 1 | 000-063-066 |
| 165 | ZIP TIE | 20 | 000-076-241 | 402 | STICKER - SPORTSART | 1 | T645-402 |
| 166 | ZIP TIE | 1 | 000-076-240 | 403 | STICKER - ROUND | 1 | 000-063-701 |
| 192 | CABLE BRACKET | 1 | TR33-16 | 404 | SCREW - M/P (M4*L16 D8.5) | 8 | 002-210-004 |
| 193 | SCREW - M/P (M5*0.8*L8) | 1 | 002-209-130 | 405 | MOTOR COVER - LEFT - OLD | 1 | T645-405 |
| 194 | WIRE - DISPLAY TO PEDESTAL | 1 | T645-194 | 405A | MOTOR COVER - LEFT - NEW | 1 | 063-130-026 |
| 250 | CUP HOLDER RING - RIGHT | 1 | T655-250 | 406 | SCREW - M/P (M4*L12) | 6 | 002-210-040 |

| BBL | Description | QTY | Part Number | BBL | Description | QTY | Part Number |
|-------|---------------------------------|-----|-------------|-------|--------------------------------------|-----|-------------|
| 407 | SCREW CLIP - (M4-L16) | 2 | 1250-111 | 564R | LANDING STRIP SUPPORT PLATE B | 2 | 164-510-180 |
| 410 | SCREW - M/P (M4*L12) | 1 | 002-210-040 | 564S | SCREW - M/P (M5*L12) | 26 | 002-210-038 |
| 411 | MOTOR COVER - RIGHT - OLD | 1 | T645-411 | 566 | SCREW - M/H (M6*P1.0*L20) | 2 | T645-566 |
| 411A | MOTOR COVER - RIGHT - NEW | 1 | 063-130-036 | 568A | LANDING STRIP BRACKET | 2 | 164-510-171 |
| 419 | SCREW - P (M5*0.8*L12) | 2 | 002-211-094 | 569 | NUTSERT - (M8) | 4 | 001-107-010 |
| 420 | ZIP TIE | 2 | 000-076-202 | 572 | TAPE - FOAM | 4 | T645-572 |
| 421 | WIRE CLIP - (5/16") | 1 | 000-076-440 | 573 | STICKER - SPORTSART | 2 | 000-063-820 |
| 422 | ZIP TIE | 3 | 000-076-240 | 574 | STICKER - MODEL NUMBER | 2 | T635-574 |
| 423 | WIRE - SWITCH TO FUSE HOLDER | 1 | TR33-75 | 575 | NOISE SUPPRESSOR | 2 | T655-575 |
| 424 | FUSE - 15A 110V | 1 | F15F-01 | 576 | WASHER - F (D17*D8*T1.5) | 2 | 003-301-024 |
| 425 | FUSE HOLDER - OLD STYLE | 1 | FSHR-02 | 577 | SCREW - B/H (M8*P1.25*L90) | 2 | 002-205-891 |
| 425 | FUSE HOLDER - NEW STYLE | 1 | T645-425 | 582 | STICKER - RIGHT | 1 | 000-063-045 |
| 426 | STICKER - FUSE 15A 110V | 1 | 000-063-659 | 583 | SCREW - M/H (M6*P1.0*L12) | 3 | 002-203-029 |
| 427 | ON/OFF SWITCH | 1 | T655-427 | 584 | STOPPER | 1 | 131-910-151 |
| 430 | POWER CORD PLUG | 1 | T655M-430 | 585 | RUBBER BLOCK | 1 | TR33-48 |
| 431 | SCREW - P (M5*0.8*L12) | 1 | 002-211-094 | 586 | INCLINE CUSHION | 1 | 031-931-013 |
| 432 | WASHER - SP (M5) | 1 | C521M-167 | 587 | SCREW - P (M5*P0.8*L15) | 2 | 002-211-256 |
| 433 | WASHER - S (BW5 3/16") | 1 | 003-304-050 | 588 | WASHER - F (D20*D6.3*T1.5) | 8 | 003-301-043 |
| 434 | STICKER - GROUND WIRE | 1 | 000-063-004 | 589 | SCREW - B/H (M6*P1.0*L30) | 8 | 002-205-631 |
| 435 | STICKER - LIVE WIRE | 1 | 000-063-005 | 591 | CROSSBAR CUSHION - CENTER | 3 | T645-591 |
| 436 | SCREW - P (M4*P0.7*L8) | 4 | 002-211-077 | 592 | SCREW - B/H (M6*L15) | 5 | 002-202-031 |
| 438 | SCREW - P (M4*P0.7*L8) | 2 | 002-211-077 | 593 | MYFLEX SUPPORT BLOCK | 5 | T620-46 |
| 439 | POWER CORD - 110V (8 FT) | 1 | 6300-66 | 594 | MYFLEX CUSHION | 5 | T652-092A |
| 439.1 | POWER CORD - 110V (12 FT) | 1 | 6300-66B | 598 | SCREW - B/H (M6*L8) | 1 | 002-205-601 |
| 445 | WIRE - L1 TO L2 | 2 | T635-445 | 599 | RUBBER CUSHION | 1 | T635-599 |
| 452 | EMI FILTER - 110V | 1 | T652-056 | 603RA | STICKER - LUBE BLOCKER | 2 | 064-263-041 |
| 453 | SCREW - P (M5*0.8*L12) | 2 | 002-211-094 | 604 | WASHER - F (D13*D6*t1.0) | 2 | 003-301-034 |
| 454 | WIRE - FILTER TO SWITCH | 1 | T621-031 | 605 | SCREW - B/H (M6*P1.0*L30) | 2 | 002-205-631 |
| 455 | WIRE - FILTER TO DRIVE BOARD | 1 | T652-055 | 606 | O-RING - FRONT | 2 | 062-530-013 |
| 456 | STICKER - GROUND WIRE | 2 | 000-063-002 | 607 | DECK BUSHING | 2 | T652-083 |
| 457 | WIRE - FILTER GROUND | 1 | T652-063 | 608 | SCREW - B/H (M8*P1.25*L40) | 2 | 002-202-041 |
| 458 | WASHER - S (BW5 3/16") | 1 | 003-304-050 | 609 | STICKER - ALIGNMENT | 2 | 000-063-101 |
| 459 | WASHER - SP (M5) | 1 | C521M-167 | 612 | SCREW - B/H (M8*P1.25*L40) | 2 | 002-202-041 |
| 460 | SCREW - P (M5*0.8*L12) | 1 | 002-211-094 | 613 | DECK BUSHING | 2 | 061-653-013 |
| 487 | WIRE - INCLINE TO DRIVE | 1 | T680-36 | 614 | O-RING - REAR | 2 | 032-830-023 |
| 494 | SCREW - B/H (M8*P1.25*L35) | 4 | 002-230-831 | 616 | SCREW - P/M (M4*L16) | 4 | 002-210-013 |
| 495 | WASHER - SP (M8) | 4 | 003-302-010 | 617 | FINGER GUARD | 2 | T652-138B |
| 496 | GASKET - (D13*0.25-0.35) | 4 | 053-530-320 | 621 | LANDING STRIP INSERT | 12 | TR33-57 |
| 497 | WASHER - F (D17*D8.3*T2) | 4 | 003-301-038 | 622 | SCREW - B/H (M5*P0.8*L25) | 14 | S972-030 |
| 501A | AUTO LUBE STICKER | 1 | 065-763-030 | 622R | WASHER - F (D11.3*D5.1*T1.0) | 14 | 003-301-068 |
| 502 | DRIVE BELT - FLEXONIC (P543J10) | 1 | T621-021 | 625 | LANDING STRIP INSET - GREEN | 2 | T645-625 |
| 520 | AUTO LUBE BOARD - V 3.0 | 1 | T655-520 | 627 | END CAP - RIGHT | 1 | T645-627 |
| 538 | TRANSPORT WHEEL | 2 | 805P-57 | 629 | END CAP - LEFT | 1 | T645-629 |
| 546 | SCREW - H (M5*P0.8*L10) | 3 | T645-546 | 630 | SCREW - M (M5*0.8*L25) | 4 | 002-209-139 |
| 547 | WASHER - F (D20*D5*T1.0) | 3 | 003-301-020 | 701 | DISPLAY ASSEMBLY - COMPLETE | 1 | T645-701 |
| 548 | TAPE - FOAM | 2 | 000-065-101 | 701A | DISPLAY ASSEMBLY - COMPLETE - 900MHz | 1 | 165-891-013 |
| 551 | STICKER - LEFT | 1 | 000-063-044 | 702 | DISPLAY ASSEMBLY - FRONT | 1 | T655-702 |
| 552 | SCREW INSERT | 9 | 000-076-820 | 702A | DISPLAY ASSEMBLY - FRONT - 900MHz | 1 | 165-891-023 |
| 553 | STICKER - WARNING | 1 | 000-063-050 | 703 | ENTERTAINMENT CAP | 1 | T655-703 |
| 562 | SCREW - M/H (M6*P1.0*L12) | 6 | 002-203-029 | 704 | FLIP TOP | 1 | T655-704 |
| 564 | LANDING STRIP SUPPORT PLATE A | 2 | 164-210-500 | 705 | USB BOARD ASSEMBLY | 1 | T655-705 |

| BBL | Description | QTY | Part Number | BBL | Description | QTY | Part Number |
|-------|----------------------------------|-----|-------------|-------|-----------------------------------|-----|-------------|
| 706 | HTR BOARD & WIRE | 1 | C575U-706 | 777 | INLINE FRAME ASSEMBLY | 1 | T645-777 |
| 708 | HEADPHONE JACK | 1 | T652-448 | 778 | WHEEL AXLE ASSEMBLY | 2 | 3100-59 |
| 708A | HEADPHONE JACK - V2.0 | 1 | 158-691-080 | 779 | INCLINE SET PIN | 2 | TR33-42 |
| 709 | DISPLAY FRONT & OVERLAY - OLD | 1 | T655-709 | 780 | DUST FILTER | 1 | T645-780 |
| 709A | DISPLAY FRONT & OVERLAY - NEW | 1 | 165-891-092 | 781 | BELT ALINGMENT BRACKET | 2 | T655-777 |
| 710 | DISPLAY OVERLAY (2 PC) - OLD | 1 | T645-710 | 783 | MAIN FRAME | 1 | 163-591-830 |
| 710A | DISPLAY OVERLAY (2 PC) - NEW | 1 | 165-891-104 | 784 | LEVELER FOOT | 2 | G572U-429 |
| 711 | HTR RECEIVER BOARD & WIRE | 1 | C575U-711 | 785 | REAR ROLLER HARDWARE | 2 | T630-68 |
| 712 | DISPLAY BRACKET | 1 | T655-712 | 786 | INCLINE STOPPER ASSEMBLY | 1 | 132-691-120 |
| 713 | DISPLAY BACK PLASTIC | 1 | T655-713 | 787 | CROSSBAR - FRONT | 1 | T652-423 |
| 714 | SCREW & BUSHING | 4 | C575U-714 | 788 | CROSSBAR - MIDDLE | 1 | T655-784 |
| 715 | CSAFE BOARD & SCREWS | 1 | C575U-715 | 789 | CROSSBAR - MIDDLE | 1 | T652-424 |
| 730 | COWLING ASSEMBLY - COMPLETE | 1 | T645-730 | 790 | CROSSBAR - REAR | 1 | T652-425 |
| 731 | COWLING ASSEMBLY - UPPER | 1 | T655-731 | 791 | LANDING STRIP - LEFT - NO PLATES | 1 | T645-791 |
| 732 | COWLING - UPPER | 1 | T655-732 | 791A | LANDING STRIP - LEFT - NEW | 1 | 164-591-911 |
| 733 | LOWER KEYPAD & OVERLAY (2 PC) | 1 | T655-733 | 792 | LANDING STRIP - RIGHT - NO PLATES | 1 | T645-792 |
| 734 | SAFETY KEY BOARD ASSY | 1 | T652-436 | 792A | LANDING STRIP - RIGHT - NEW | 1 | 164-591-921 |
| 735 | COWLING ASSEMBLY - LOWER | 1 | T655-735 | 793 | WALK BELT | 1 | TR33-62 |
| 736 | HANDLEBAR ASSY TOP - LEFT - OLD | 1 | T645-736 | 794 | FRONT ROLLER | 1 | TR33-77 |
| 736A | HANDLEBAR ASSY TOP - LEFT - NEW | 1 | 164-591-361 | 795 | REAR ROLLER | 1 | T630-95 |
| 737 | HANDLEBAR END CAP - LEFT - OLD | 1 | T655-736 | 796 | WALK DECK | 1 | T621-428 |
| 737A | HANDLEBAR END CAP - LEFT - NEW | 1 | 165-891-361 | 797 | DECK BUSHING - REAR | 2 | T652-421 |
| 738 | HANDLEBAR ASSY TOP - RIGHT - OLD | 1 | T645-738 | 798 | DECK BUSHING - FRONT | 2 | T652-420 |
| 738A | HANDLEBAR ASSY TOP - RIGHT - NEW | 1 | 164-591-381 | 799 | DRIVE BOARD - 110V | 1 | T635-369 |
| 739 | HTR CONTACT PLATE | 2 | T645-739 | 802 | LANDING STRIP ASSEMBLY - L & R | 1 | 164-591-940 |
| 740 | HANDLEBAR END CAP - RIGHT - OLD | 1 | T655-737 | D02 | LONG HANDRAIL LOWER - RIGHT | 1 | T655M-D02 |
| 740A | HANDLEBAR END CAP - RIGHT - NEW | 1 | 165-891-371 | D07 | LONG HANDRAIL LOWER - LEFT | 1 | T655M-D07 |
| 741 | HANDLEBAR FRAME | 1 | T645-741 | D20 | PEDESTAL SIDE COVER - RIGHT | 2 | T655M-D20 |
| 742A | BRIDGE BOARD & WIRE (NEW) | 1 | T655M-739 | D21 | PEDESTAL SIDE COVER - LEFT | 2 | T655M-D21 |
| 743 | PEDESTAL - LEFT | 1 | T645-743 | D409 | LONG HANDRAIL UPPER - LEFT - OLD | 1 | T655M-D409 |
| 744 | PEDESTAL - RIGHT | 1 | T645-744 | D409A | LONG HANDRAIL UPPER - LEFT - NEW | 1 | 165-291-693 |
| 748 | HANDLEBAR COVERS & ENDCAP - NEW | 1 | 164-591-485 | D410 | LONG HANDRAIL UPPER - RIGHT - OLD | 1 | T655M-D410 |
| 758 | HOOD ASSEMBLY - NEW | 1 | 164-591-580 | D410A | LONG HANDRAIL UPPER - RIGHT - NEW | 1 | 165-291-703 |
| 759 | VR MOTOR BRACKET | 1 | T645-759 | D411 | HANDRAIL FRONT & REAR ASSEMBLY - | 1 | 164-591-495 |
| 760A | MOTOR HOOD - NEW | 1 | 164-591-601 | NS | WIRE - DRIVE TO LUBE | 1 | T675-374 |
| 761 | DC MOTOR - 90V 3.2HP | 1 | T635-761 | T701 | HARDWARE KIT | 1 | T645-T701 |
| 761.1 | MOTOR BRUSH - PAIR | 1 | 3100-51A | | | | |
| 762 | MOTOR ENCODER | 1 | T635-762 | | | | |
| 763 | MOTOR SLEEVE | 1 | T652-415 | | | | |
| 764 | MOTOR HARDWARE | 4 | T615-764 | | | | |
| 765 | AC INCLINE MOTOR - 110V | 1 | T645-765 | | | | |
| 766 | INCLINE LIMIT SWITCH | 1 | TR33-36 | | | | |
| 767 | INCLINE SET PIN | 1 | TR33-45 | | | | |
| 768 | AUTO LUBE ASSEMBLY | 1 | T655-768 | | | | |
| 769 | LUBE BOTTLE & TUBE | 1 | T655-769 | | | | |
| 770 | LUBE BOTTLE - 400ML | 1 | T645-770 | | | | |
| 771 | LUBE BOTTLE PUMP | 1 | T655-771 | | | | |
| 772 | AUTO LUBE BRACKET | 1 | T655-772 | | | | |
| 773 | AUTO LUBE VR | 1 | T655-773 | | | | |
| 774 | INCLINE MOTOR SET PIN | 1 | TR33-33 | | | | |
| 775 | SWITCH BRACKET | 1 | T645-775 | | | | |

| No. | Diagram | Tool Needed |
|-----|-----------|-------------|
| 1 | TBK-F101B | LED |
| 2 | TBL-F102C | |
| 3 | TBL-F102D | |
| 4 | TBL-F101E | OPTION |
| 5 | TBK-F101G | OPTION |
| 6 | TBK-F101F | OPTION |
| 7 | CAQ-F101F | OPTION |
| 8 | TBK-F101E | OPTION |

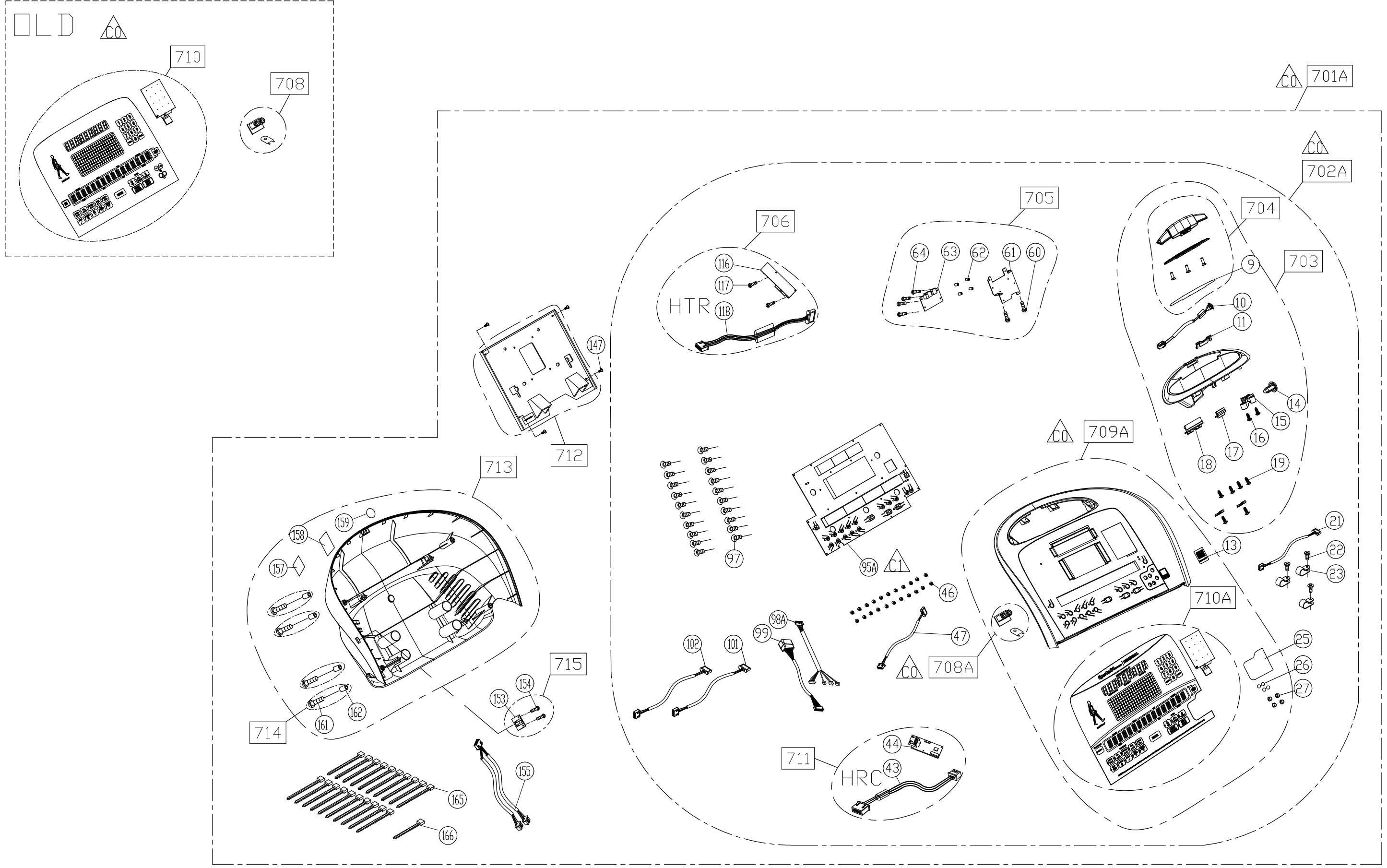


| CHANGE DATE | CHANGE DESCRIPTION | CHANGE NO. | NAME |
|-------------|--------------------|------------|------|
| 2014.11.10 | 取消选配中央扶手 | | 尤淑芬 |
| | | | |
| | | | |

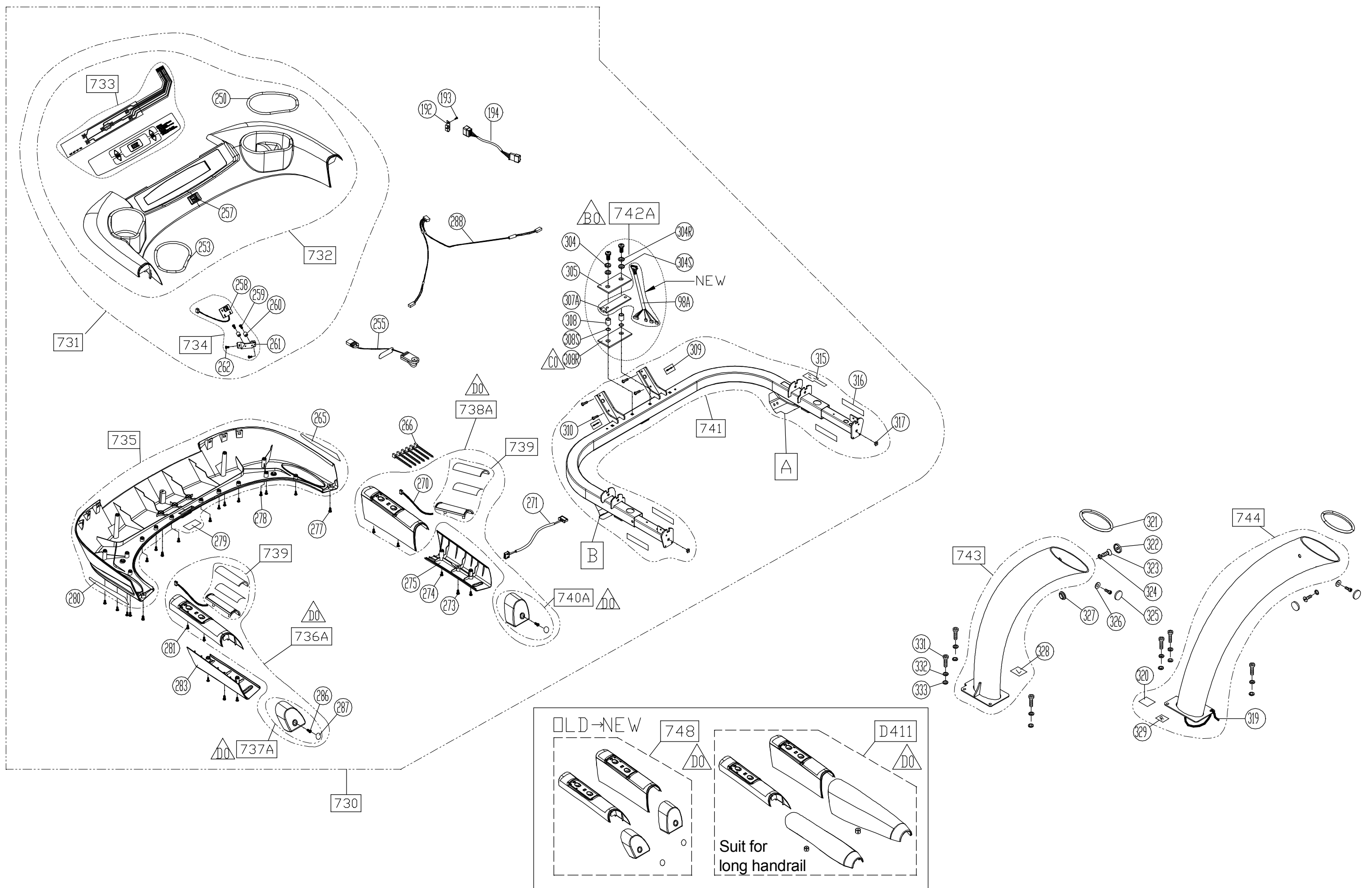
SportsArt
FITNESS

RESTRICTED USAGE,
PLEASE DON'T FORWARD TO ANYONE WHO ISN'T AUTHORIZED

| DRAWN BY | UNITS | MM | SALES BLOW UP DIAGRAM | DIAGRAM NO. | TBL-F102A-A |
|-------------|---------|------|-----------------------|-------------|-------------|
| | QTY | 1 | | | T635 |
| VERIFIED BY | VERSION | A1 | XX | MODEL | |
| | RATIO | 1:12 | | | |

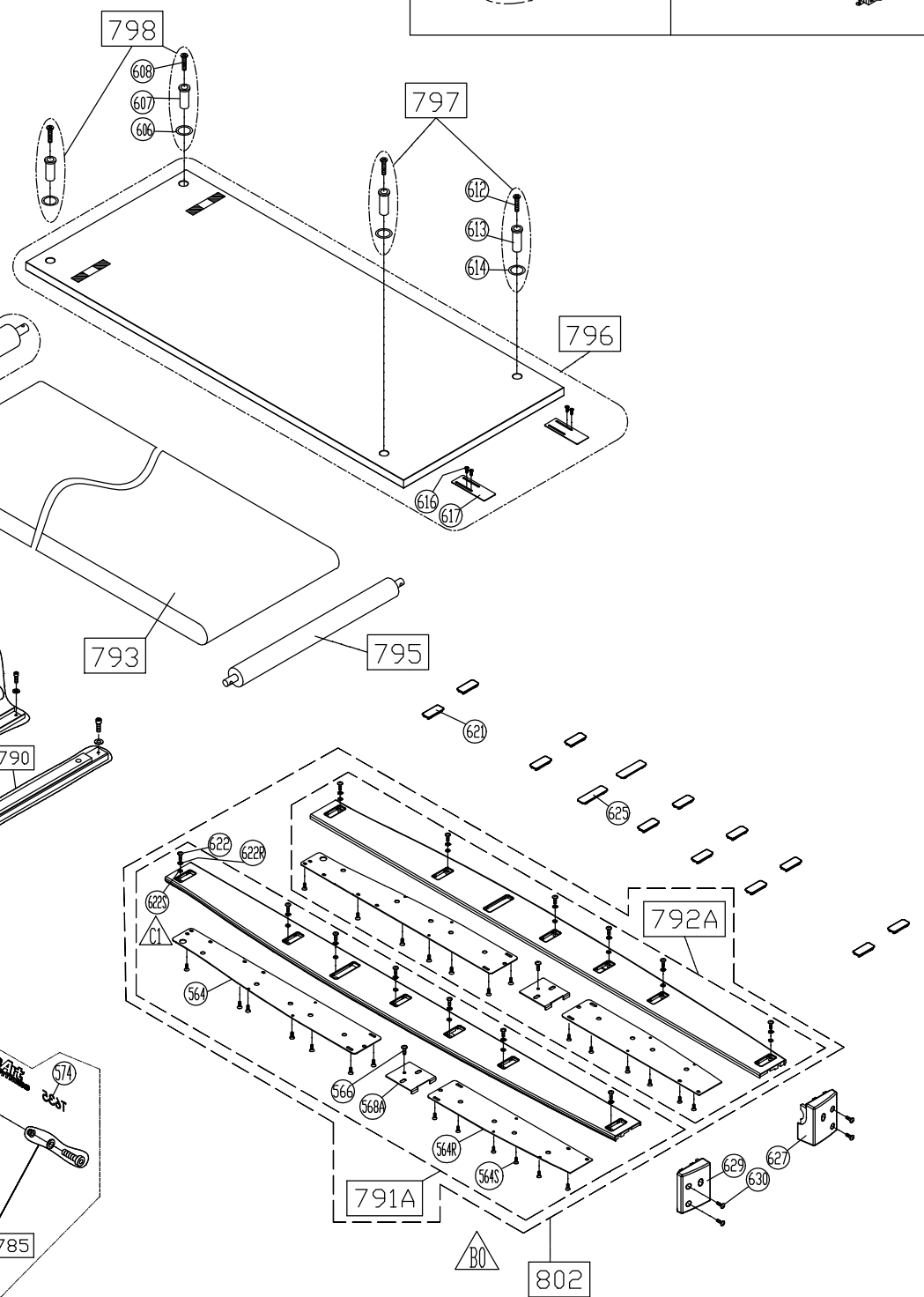
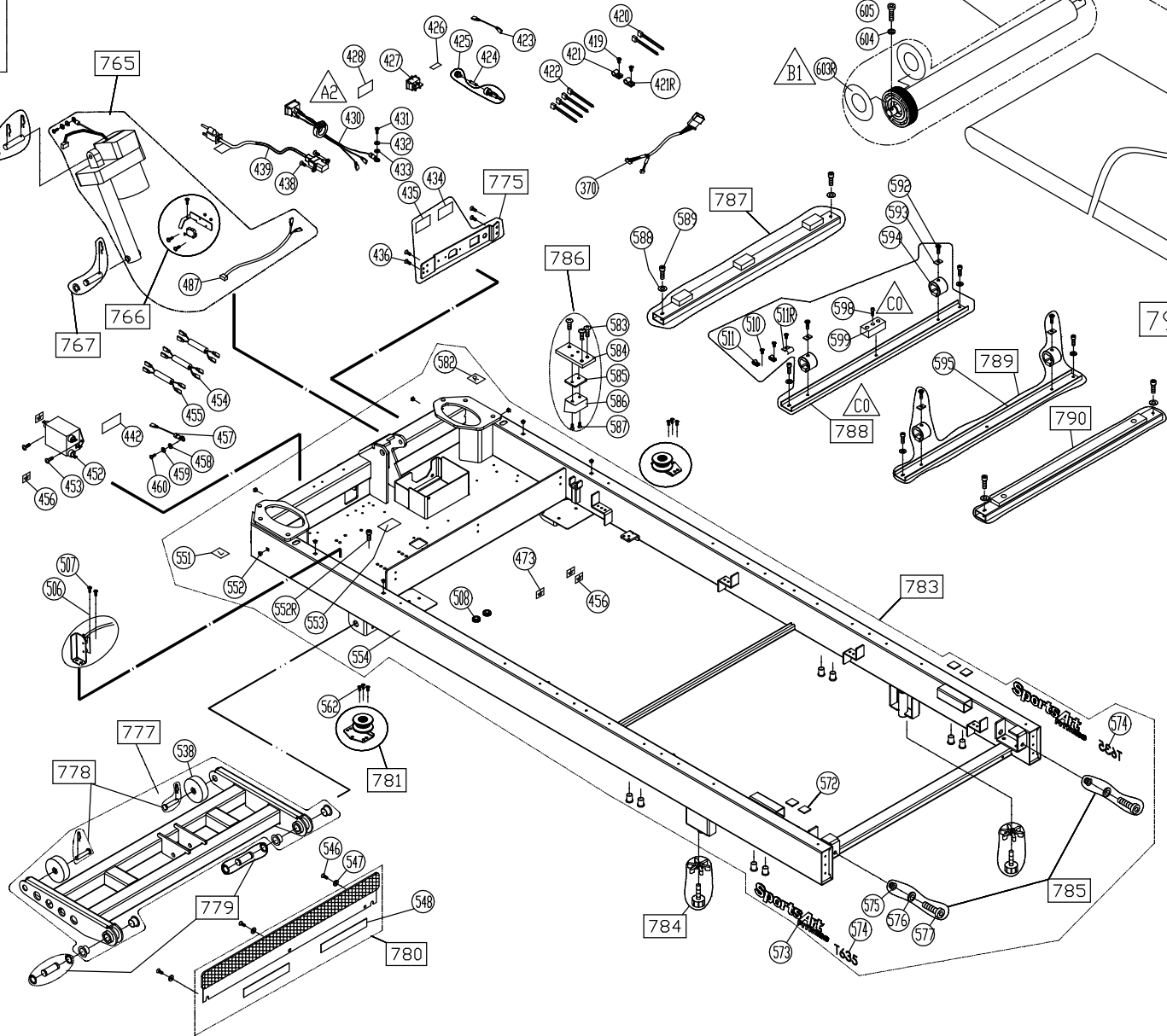
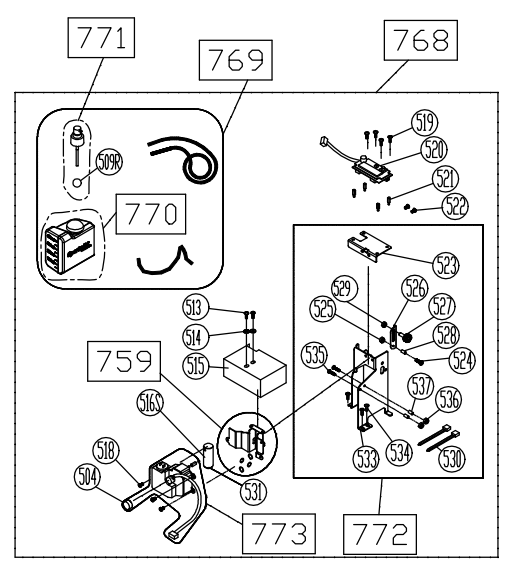
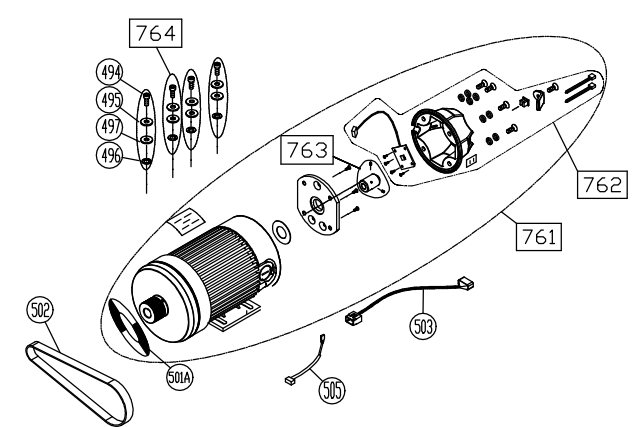
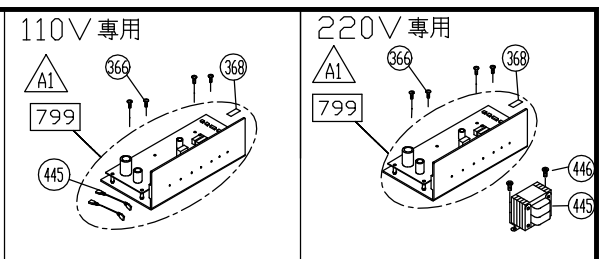
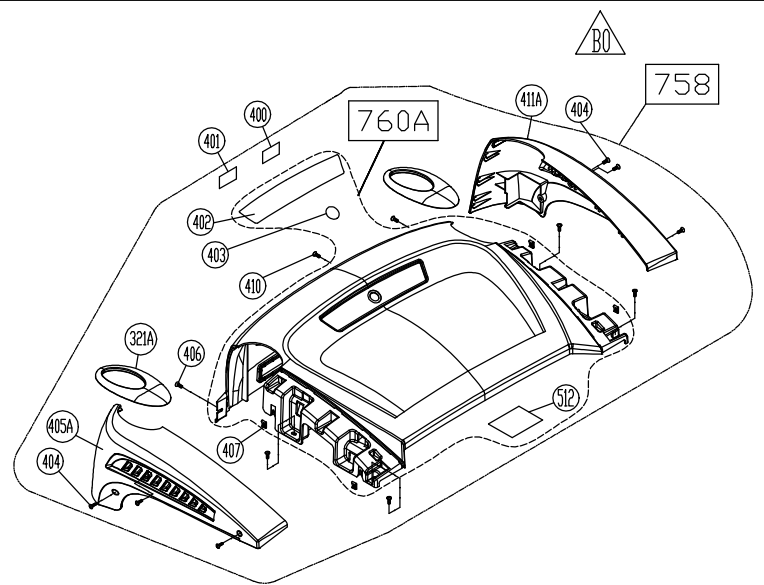
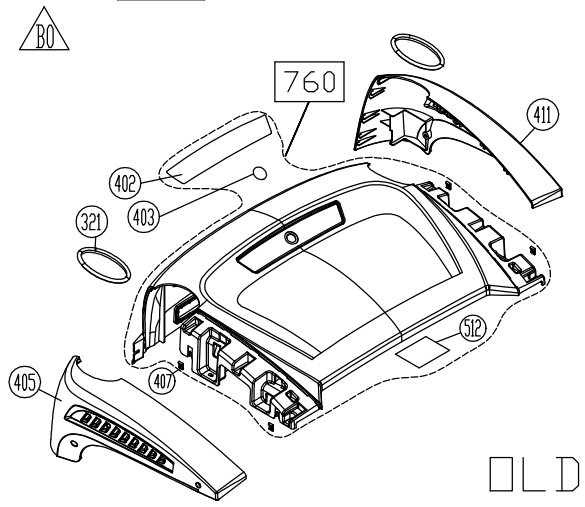


| CHANGE DATE | CHANGE DESCRIPTION | CHANGE NO. | NAME | SPORTSART FITNESS | DRAWN BY | UNITS | MM | SALES BLOW UP DIAGRAM | DIAGRAM NO. | TBK-F101B-C |
|-------------|--|------------------------------|------|--|-------------|---------|------|-----------------------|-------------|----------------|
| 2015.01.05 | BO (98)改(98A), 排線新品須搭配新版橋接小板 | 02-20140801T | 楊勝文 | RESTRICTED USAGE , PLEASE DON'T FORWARD TO ANYONE WHO ISNT AUTHORIZED | VERIFIED BY | QTY | 1 | XX | MODEL | T645/T655/T635 |
| 2015.09.18 | CO 增加TV WAR功能, 新增(A29), 變更組件為 701A 702A 709A 710A 715A | 02-20141036M 02-20141036T | 潘衍耀 | | | VERSION | C1 | | | (LED) |
| 2015.11.27 | CO 新控制板已將程式轉接小板電路合併, 故(95)改(95A)並取消(50) 707 | 02-20150901T | 黃柏勳 | | | RATIO | 1:10 | | | |



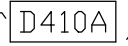
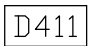


| CHANGE DATE | CHANGE DESCRIPTION | CHANGE NO. | NAME |  RESTRICTED USAGE , PLEASE DON'T FORWARD TO ANYONE WHO ISN'T AUTHORIZED | DRAWN BY | UNITS | MM | SALES BLOW UP DIAGRAM | DIAGRAM NO. | TBL-F102C-D |
|-------------|--|--------------|------|--|-------------|---------|------|-----------------------|-------------|-------------|
| 2015.06.09 | △ 15吋Panel 固定板與喬接小板干涉, 修改(308)規格, 追加(308R) | 02-20150608M | 陳鈺濤 | | VERIFIED BY | QTY | 1 | XX | MODEL | T635 |
| 2015.09.30 | △ 扶手護蓋補強, 替換新須搭配寄整組(748)(D411); (736)改(736A); (738)改(738A); (737)改(737A); (740)改(740A) | 02-20150619M | 楊淵堯 | | | VERSION | D0 | | | |
| 2015.01.08 | △ (305)防水遮板設變, 取消(306), 新增(304R)(304S) | 02-20140803M | 尤淑芬 | | | RATIO | 1:12 | | | |

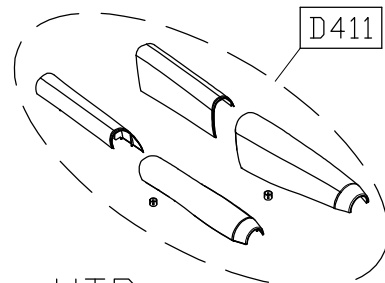
321, 405, 411, 760, when finished up any of them above, please change the whole assembly 758.



| CHANGE DATE | CHANGE DESCRIPTION | CHANGE NO. | NAME |  <p>RESTRICTED USAGE , PLEASE DON'T FORWARD TO ANYONE WHO ISN'T AUTHORIZED</p> | DRAWN BY | UNITS | MM | SALES BLOW UP DIAGRAM | DIAGRAM NO. | TBL-F102D-C T635 | |
|-------------|----------------------------|--------------|------|---|-------------|---------|------|-----------------------|-------------|---------------------|-------|
| 2015.12.30 | ▲B1 新增 623*14PCS, 603*2PCS | | 尤淑芬 | | VERIFIED BY | QTY | 1 | | | | MODEL |
| 2016.11.30 | ▲C0 新增 598 599 修改 788 | 02-20161119M | 尤淑芬 | | | VERSION | C! | | XX | | |
| 2017.01.06 | ▲C1 新增 622 | | 張又仁 | | | RATIO | 1:16 | | | | |

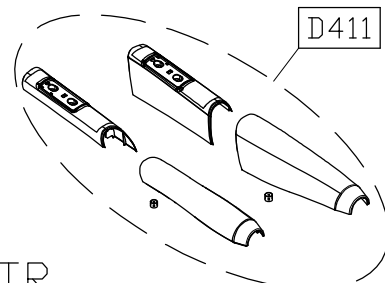
OLD→NEW 
 Replace  or ,
 please send one set
.

For T635M

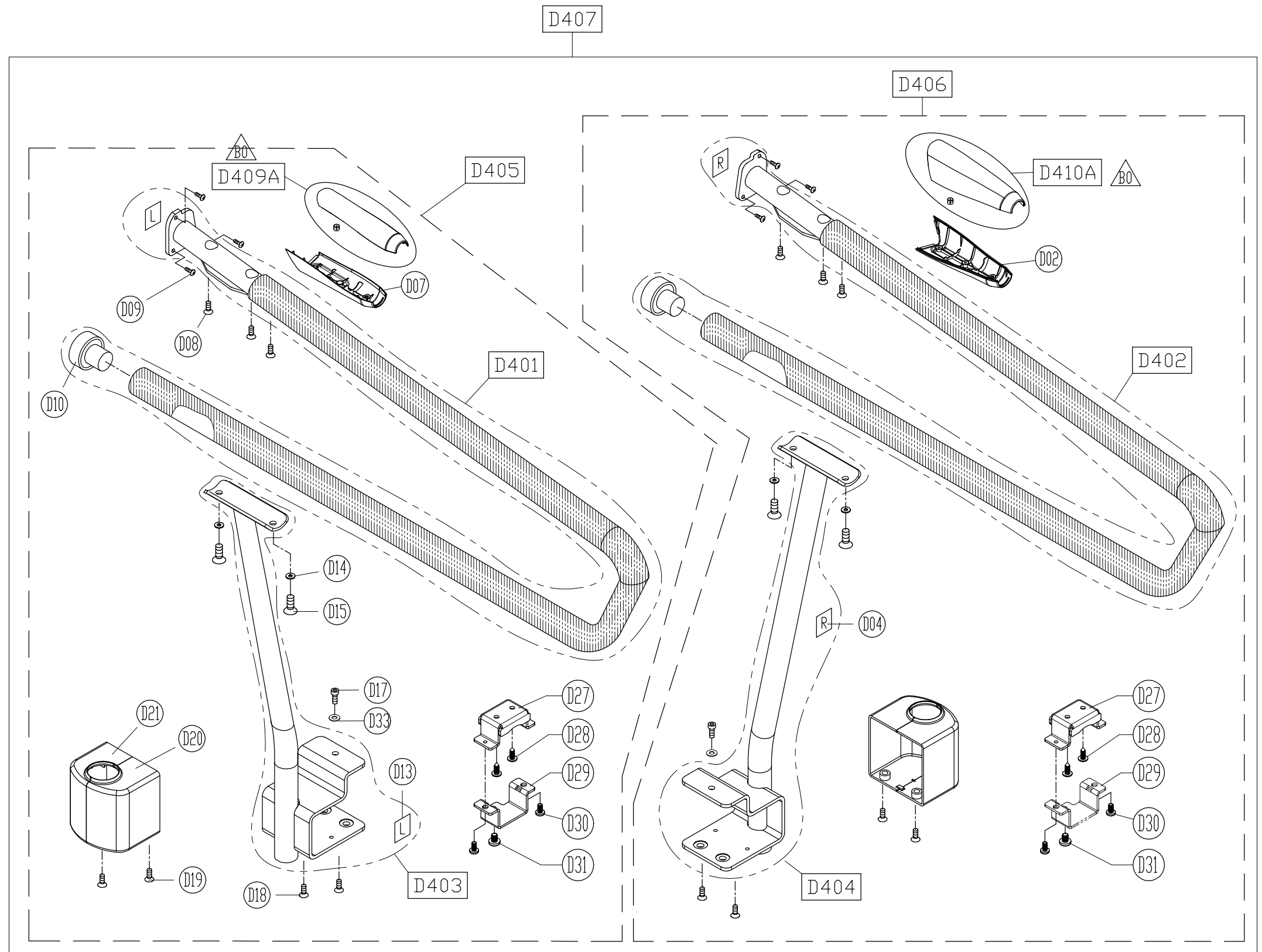


No HTR

For T635/T645



HTR



| CHANGE DATE | CHANGE DESCRIPTION | CHANGE NO. | NAME | UNITS | MM | SALES BLOW UP DIAGRAM | DIAGRAM NO. | MODEL |
|-------------|--|--------------|------|---------|-----|-----------------------|--------------------|-------|
| 2015.10.26 |  扶手護蓋補強, 舊換新須搭配寄整組  ,  改  ,  改  | 02-20150619M | 楊淵堯 | QTY | 1 | XX | T645/T635 T635M | |
| | | | | VERSION | B0 | | | |
| | | | | RATIO | 1:6 | | | |

SportsArt
 FITNESS

RESTRICTED USAGE,
 PLEASE DON'T FORWARD TO ANYONE WHO ISN'T AUTHORIZED

Long handrail assy.(R&L)

DRAWN BY

 VERIFIED BY