

Table Fittings



Product range:

Alignment Dowels
Desk Top Connectors
Flip Brackets
Flip Mechanism
Folding Table Leaf Hinges
Sycron Table Slides
Table Cleats
Table Extension Slides
Table Flap Stays
Toggle Catches

Table Cleat

Surface Mounted
STF 2003-000-20 Yellow Zinc
Screw Size – 3.5mm Csk



Table Cleat

Surface Mounted
UTF 4000-000-21 Brass
Screw Size – 3.5mm Csk



Table Top Connector

Has 6mm adjustment to hold top 100% flush
SMI 2403-090-13 Anthracite
Screw Size – 5mm Euro Screw or M6 Screws with Inserts

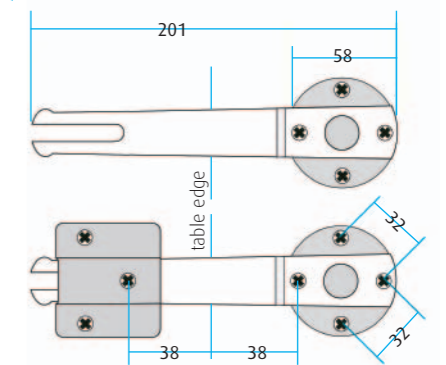
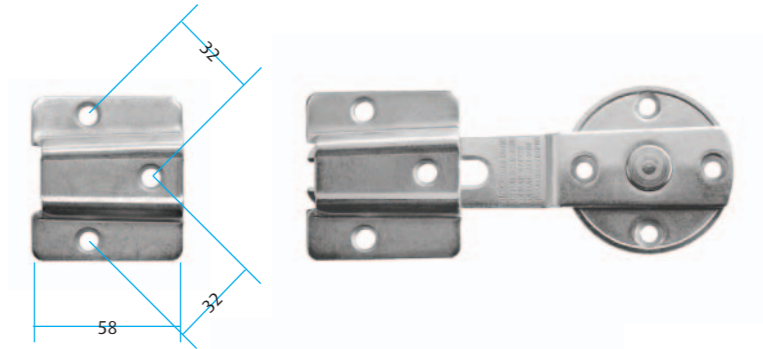


Click Catch

For connecting tables and table leaves
Concealed when not in use
Complete
SCA 2403-110-60 Zinc Plate



Receiver only
SCA 2403-111-60 Zinc Plated



For tables with bevelled edges
Complete
SCA 2403-113-60 Zinc Plated
Screw Size – 4.5mm Pan

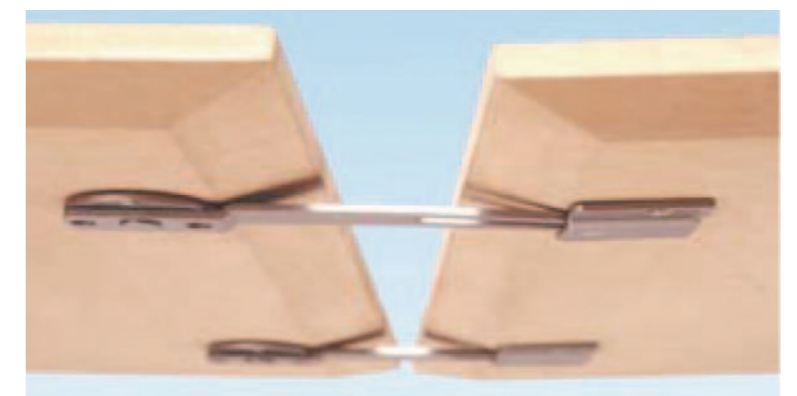
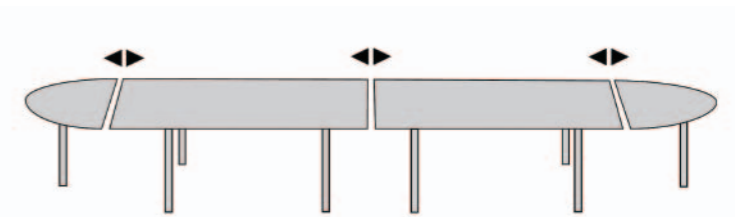


Table Flip Bracket

SHI 3000-018-20 Brass
Screw Size – 3.5mm Csk



Table Flip Bracket

STF 1140-000-60 Zinc plated
Screw Size – 3mm Csk



Scissor Type Folding Leaf Hinge

Recess mounted for 18mm Board
SHI 1000-018-20 Brass
Screw Size – 3.5mm Csk



Recess Mounted Folding Leaf Hinge

18mm board
SHI 2000-018-20 Brass
22mm board
SHI 2000-022-19 Yellow Zinc
Screw Size – 4mm Csk



Locator Pins

UKD 1140-000-05 Brown
UKD 1140-000-21 Brass



Drop Leaf Table Flap Stay

UTF 0525-000-20 Yellow Zinc
Screw Size – 4.5mm Csk

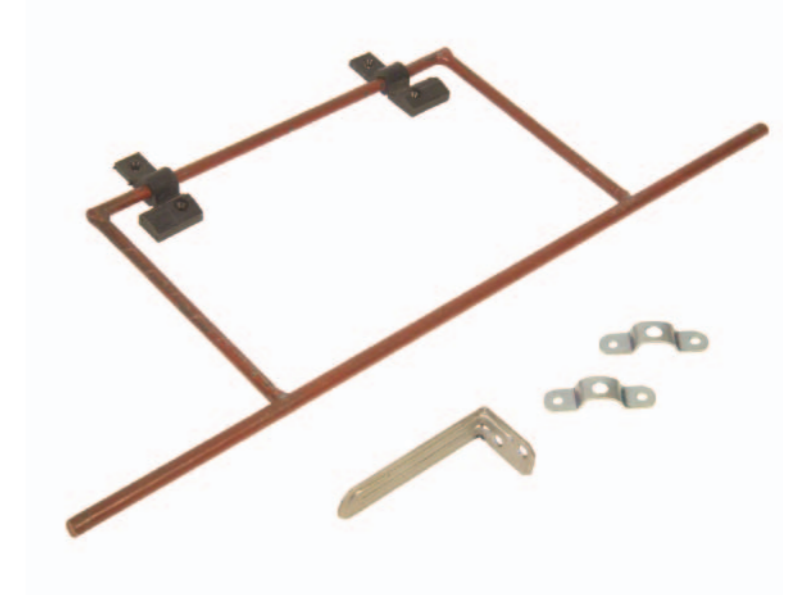


Folding Table Leaf Flip Mechanism

This mechanism enables a two-piece folding extension leaf to be installed in an extending table with a fixed frame
The bar can be cut to accommodate smaller tables
Screw fixing to underside of extension leaf, with a narrow built in height

One set contains:
1 x Mechanism
1 x 'L' Shaped Rest Bracket
2 x Fixing Brackets
2 x Plastic Fixing Brackets

STF 2026-450-05 450mm Brown
STF 2026-065-05 650mm Brown



Folding Table Leaf Flip Mechanism

Hide-away mechanism for folding tabletop

This mechanism enables a two-piece folding extension leaf to be installed in an extending table with a fixed frame

The bar can be cut to accommodate smaller tables

UTF 1100-650-60 Zinc Plated Steel

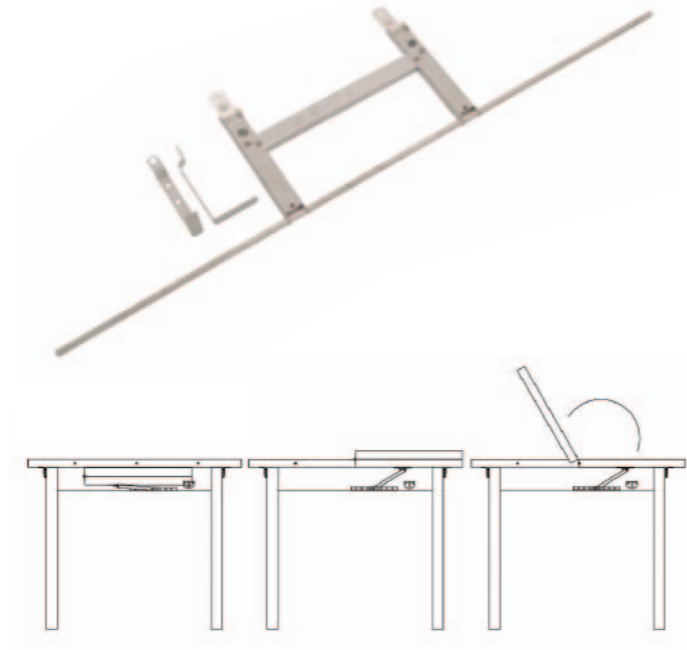
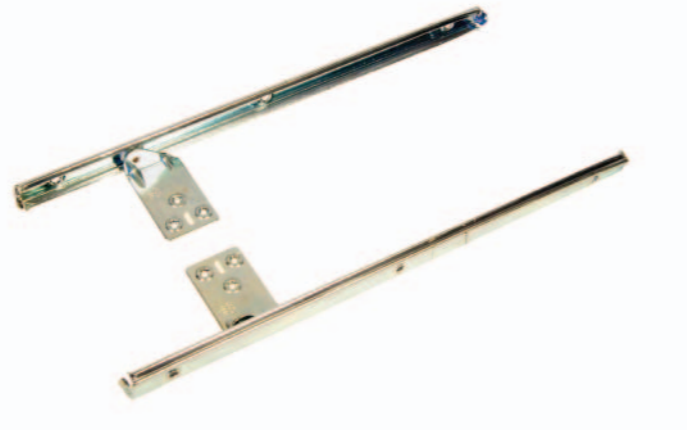


Table Leaf Flip Brackets

Sliding table top brackets with nylon wheels

Sold in pairs

STF 2024-000-20 Zinc Plated



Coffee Table Lift Mechanism

Makes a coffee table into a work desk

UTF 5000-450-03 Black

UTF 5000-914-03 Black



Syncon Table Slide

Central opening synchronised slide

Easy opening of table frames to insert extra panels

Dimensions mm

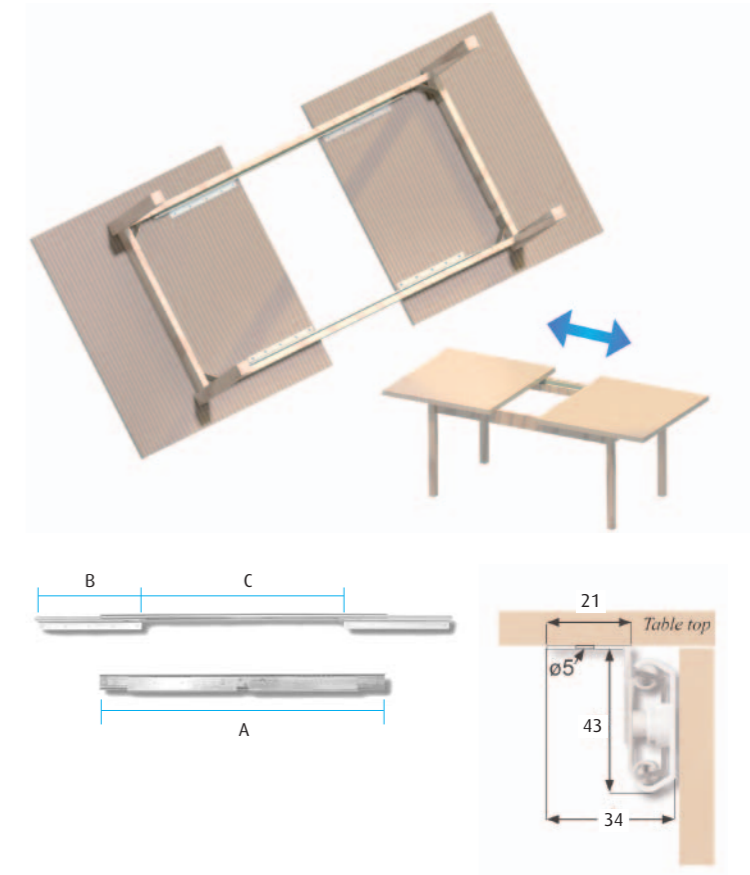
		A	B	C
STF 0354-102-60	Zinc Plated	1227	404	1020
STF 0354-620-60	Zinc Plated	838	276	620

Weight Capacity 45kg

STF 0354-650-60 Zinc Plated 650 450

STF 0354-700-60 Zinc Plated 700 505

STF 0354-850-60 Zinc Plated 850 605



Wooden Syncon Table Slide

Dimensions mm

		A	B	C
STF 0355-650-60	Wood	1340	650	683

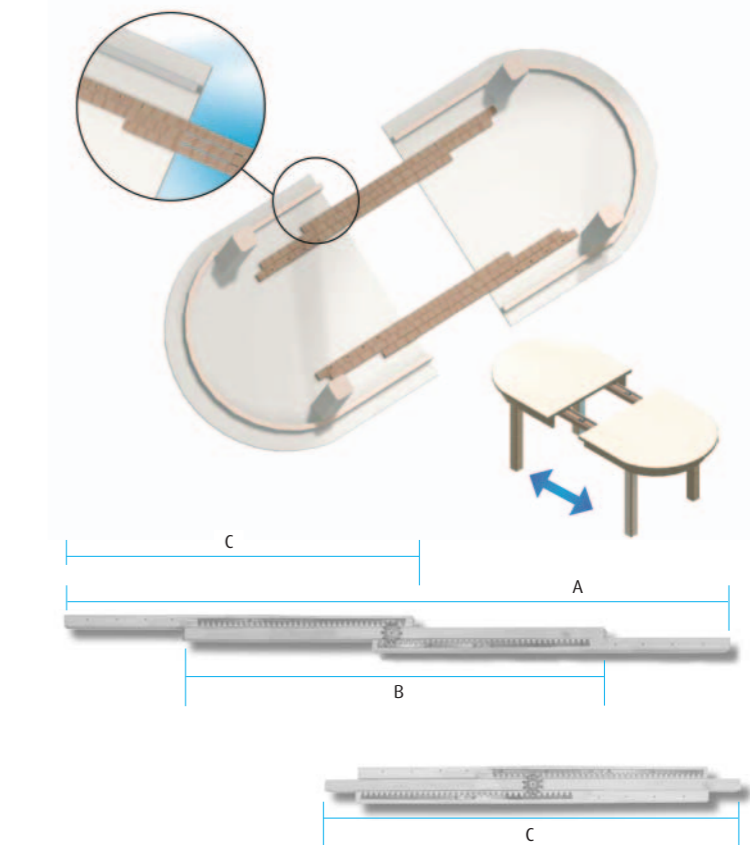


Table Extension Slide

Extend by 2000mm a dining room or conference table measuring 1000x1000mm with a centre column

The supporting leg is concealed in the centre column and carries both centre rails eliminating sagging

The table extends to an overall size of 1000x3000mm

Dimensions mm

	A	B	C	D
STF 0353-800-60 Zinc Plated	805	650	2060	2635

Weight Capacity 70kg

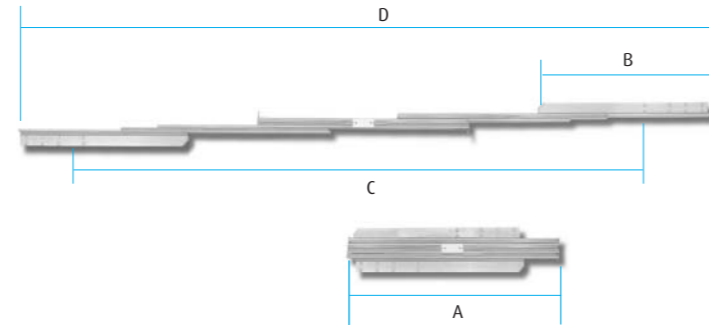
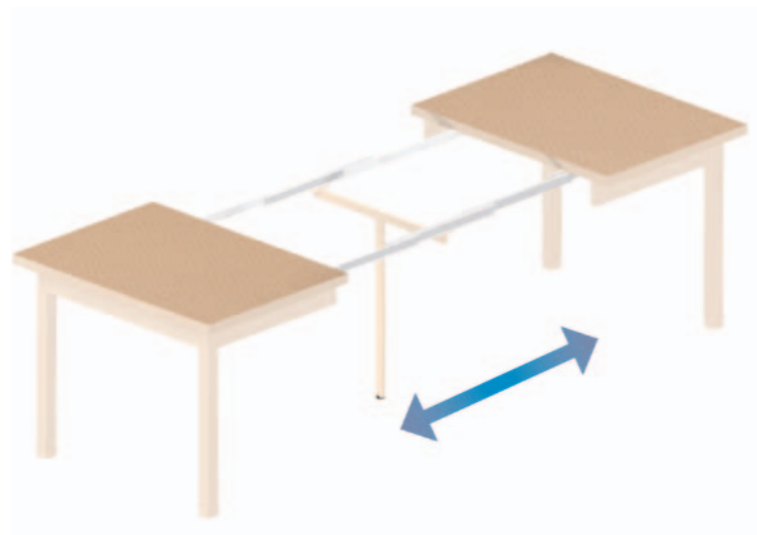
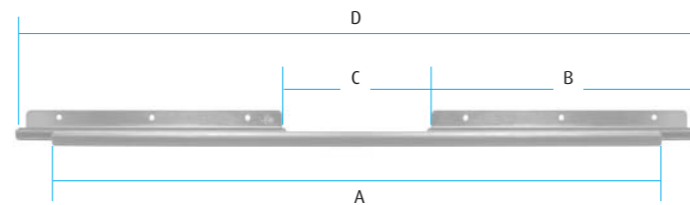


Table Extension Slides

Dimensions mm

	A	B	C	D
SMI 0355-060-60 Zinc Plated	600	259	403	1023
SMI 0355-065-60 Zinc Plated	650	285	453	1023
SMI 0355-070-60 Zinc Plated	700	309	503	1121
SMI 0355-075-60 Zinc Plated	750	335	553	1223
SMI 0355-080-60 Zinc Plated	800	359	603	1321
UTF 1604-011-60 Zinc Plated	1100	485	903	1873

Screw Size - 4mm Csk
3.5mm Csk



Credit Account Application Form

Name of Company: _____ Date: _____

Partnership/Limited Company/Sole Trader/P.L.C. Partners Names: _____

Person Requesting Account Facilities

Title: Mr Mrs Ms First Name: _____ Surname: _____

Job Title: _____

Tel No: _____ Fax No: _____

Web Address: _____ Email Address: _____

Company Reg. No: _____ V.A.T. No: _____

Office Address (for Invoices)

Delivery Address (for Goods)

Postcode: _____ Postcode: _____

Please supply letterhead

Registered Office (if different from above):

Order Contact:

Title: Mr Mrs Ms First Name: _____ Surname: _____

Job Title: _____ Email: _____

Accounts Contact:

Title: Mr Mrs Ms First Name: _____ Surname: _____

Job Title: _____ Email: _____

Nature of Business:

Bedroom Bathroom Caravan Designer Distributor Education Fitting Out Glass
 Ironmongers Kitchen Locksmith Lounge/Dining Office Public Sector Trade Other

Credit Limit Required £500 £1000 £2000 £5000 Other

Bank Details:

Account No:

Sort Code:

Trade Ref:

1 _____
2 _____
3 _____

Catalogue:

We require a catalogue: Please send for the Attention of: _____

We have a Catalogue: It is held by: _____



Registered Office: 99 Walnut Tree Close Guildford Surrey GU1 4UQ. Registered in England No.: 992448.

Bank: Barclays Bank Ltd 19 North Street Guildford GU1 4AG. Account No.: 60927716. Sort Code: 20 35 35

