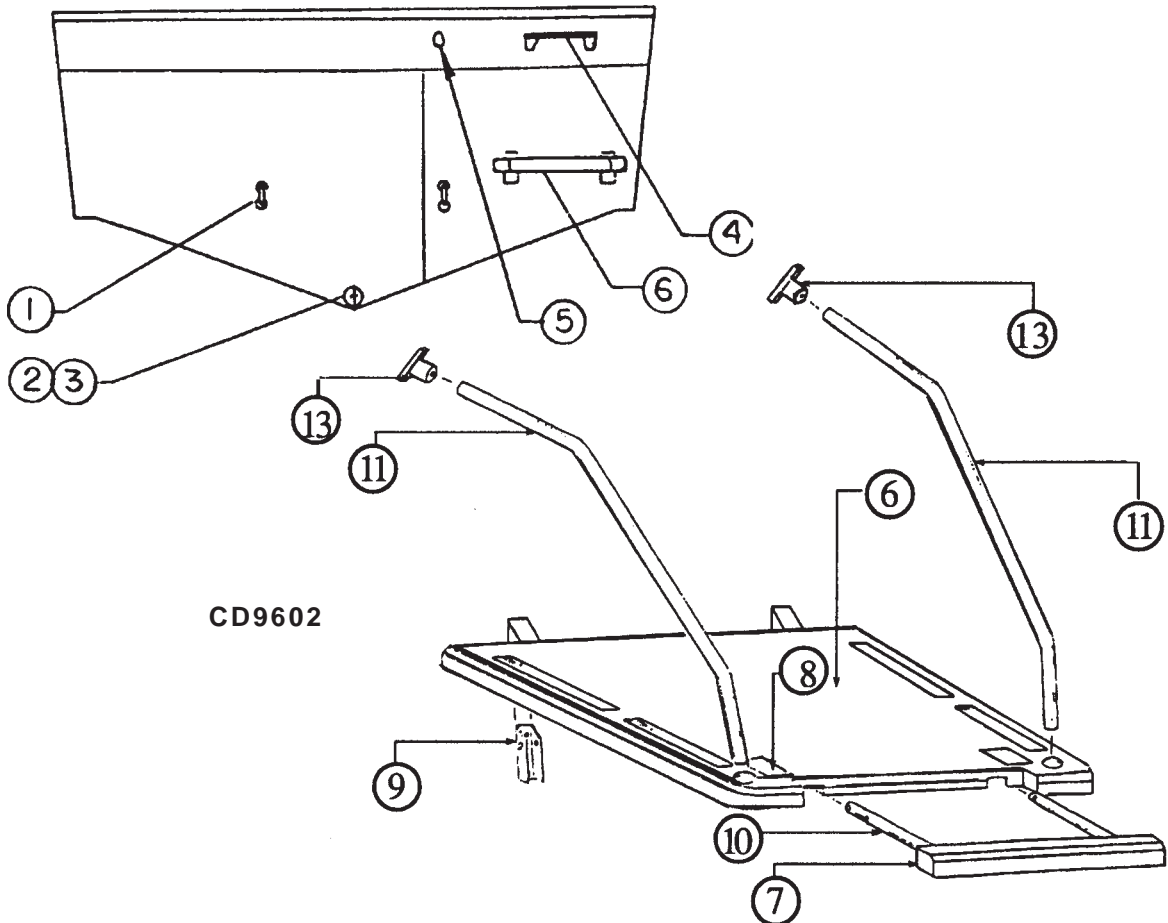


SECTION NO.	TITLE	PAGE
1)	COVERINGS Gelcoat, patch paste, vinyls, fabrics, woodshop materials, carpet	2
2)	HULL HARDWARE Hull carpet, ext. hardware, swim step/platform, braces & ladder assy	3
3)	DECK HARDWARE Gunnel, bow/taff/stern/grab/hand/console rails, radar wing, bow platform, deck hatches & trim, deck carpet	4
4)	HARDTOP HARDWARE 7	
6)	INTERIOR HARDWARE 8 Table assy, propane system, port dash and helm console	
7)	UPHOLSTERY 10 All uph, materials, foam, uph rails and hardware, carpet runners	
8)	TAPES AND LABELS 13 Hull, interior, exterior, deck, C/B & H/T tapes and labels	
9)	WINDSHIELD 14 Windshield system, windscreen, fasteners and related hardware	
10)	ELECTRICAL 17 Wiring harness, gen. sys, air cond., int/ext lights, gauges, switches, panels console & instruments, audio-visual, communication, radar/autopilot	
11)	CANVAS 19 Canvas is no longer available. Go to http://www.letastopshop.com	
12)	ENGINE AND CONTROL SYSTEMS 20 Engine systems, shifter & control cables, steering sys, fuel sys, vent sys	
13)	MODULES 21 Entertainment center assy, entry door & trim, drip rails, hanging locker, head, galley, exterior bulkhead, vanity assy, plex doors, wood assemblies	
14)	PLUMBING AND FIXTURES 25 Bilge pump, baitwell, shower, marine head, fresh water, sink/deck/c/b drain systems	
15)	MANUFACTURING SUPPLIES 28 Manuals, shipping materials, basic manufacturing supplies	
16)	FACTORY INSTALLED OPTIONS 29	
17)	DEALER INSTALLED OPTIONS 35 US Marine Parts options only	
18)	ENGINE OPTIONS 37 Engine systems & related hardware	

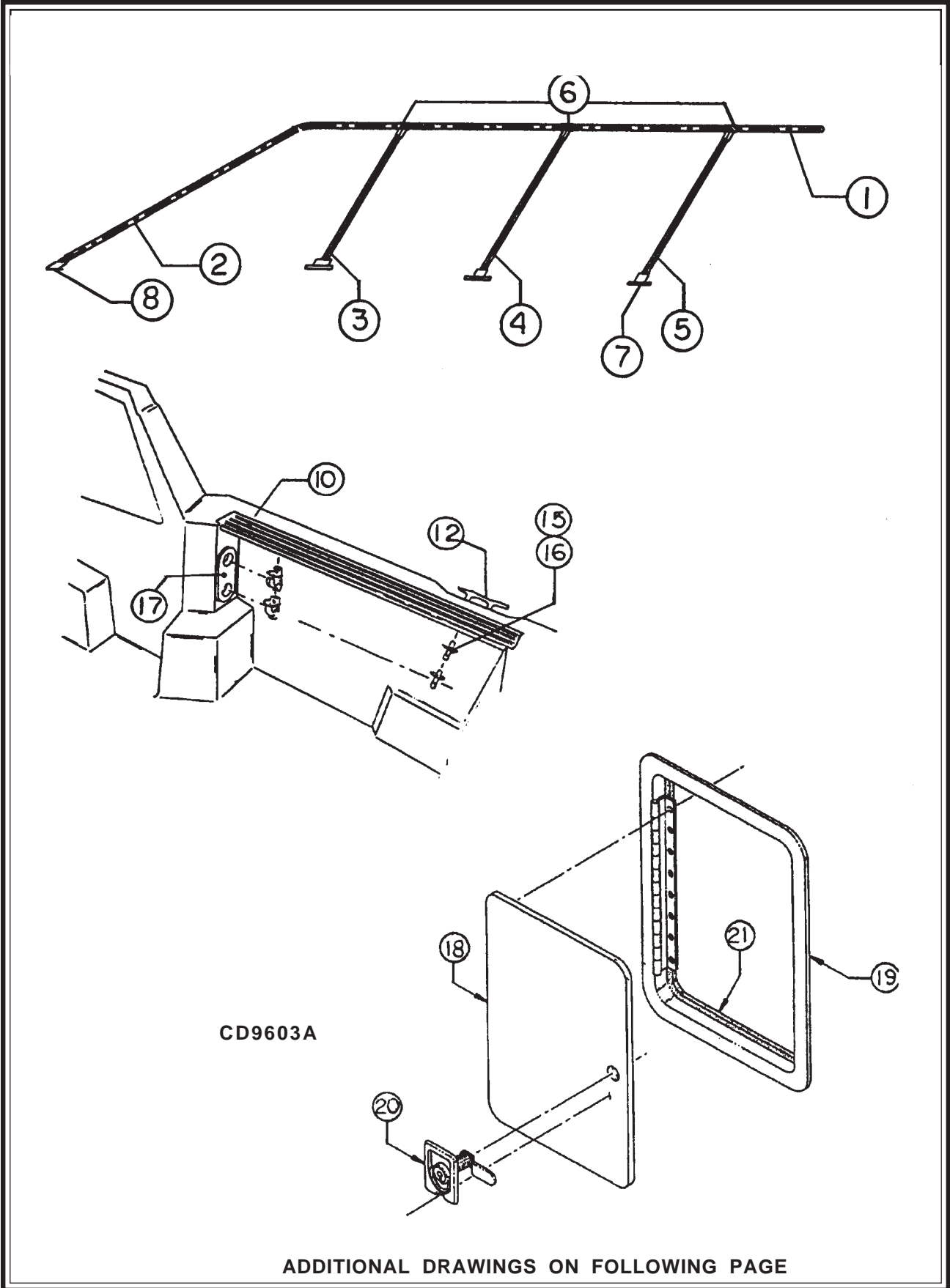
ITEM NO.	PART NUMBER	PART DESCRIPTION	U/M	QTY.
CARPET/HEADLINER/FLOORING				
*	60943	CARPET-MARCHWINDS	LY	
*	61148	HULLINER-MULTIBLUE CIERA EXPRESS	LY	
*	52594	HEADLINER- WHITE OPAL	LY	
*	68168	VINYL FLOORING-STORM GRAY	LY	
FABRIC				
*	58840	FABRIC- BUFF, PAWLEY'S ISLAND	LY	
*	65913	FABRIC- REFLECTIONS SLATE	LY	
*	66181	FABRIC- MONROE HAZE (PILLOWS)	LY	
*	66180	FABRIC- MONROE MAUVE (PILLOWS)	LY	
VINYL				
*	65864	VINYL-MICA FROST	LY	
*	61980	VINYL-GEL WHITE X	LY	
*	65375	VINYL-GEL WHITE DI-ELCETRIC	LY	
*	62737	VINYL-CUDDY MATE IVORY X	LY	
*	66015	VINYL-SHADOW	LY	
*	65377-1 3/8	WELT-MIDNIGHT BLUE	LY	
*	65377	VINYL-MIDNIGHT BLUE	LY	
*	63445	VINYL-ULTRA LEATHER PUMICE	LY	
CANVAS				
*	66343	CANVAS-WHITE	LY	
GELCOAT/PATCH PASTE/PAINT				
*	F50-31943	GELCOAT-WHITE/WHITE	QT	
*	F55-31943	PATCH PASTE, WHITE/WHITE	EA	
*	F7220	BASECOAT WHITE	QT	
*	F50-53281	GELCOAT-MICA MIST	QT	
*	F55-53281	PATCH PASTE- MICA MIST	EA	
WOOD FOR MODULES				
*	58805	5/8" LAMPLY- BRUNE SLATE	SF	
*	38339	1/2" STARBOARD-WHITE/WHITE(HATCHES)	SF	
*	51488	3/4" WHITE/WHITE HDPE 54 X 96"	SF	
*	55904	11/16 T-TRIM, DREAM WHITE	FT	
*	65912	LAMPLY, 5/8" 932 ANTIQUE WHITE GLOSS	SF	
*	65912-V	LAM VERT., 932 ANTIQUE WHITE GLOSS	SF	
*	65912-T	EDGEBAND, 7/8" 932 ANTIQUE WHITE GLOSS	FT	
*	65982	SEA RAIL ASH	FT	
*	6040	1/2 WHITE, 2/S DECRAGUARD	SF	
*	54847	1/4"-WHITE/WHITE HDPE 54 X 96"	SF	
*	NOT SHOWN			
FOR VERIFICATION OF COLOR, REFER TO 1997 COLOR CHART				

ITEM NO.	PART NUMBER	PART DESCRIPTION	U/M	QTY.
HULL EXT HARDWARE				
1	4456	1/2" X 3 7/16" BOW EYE (RLED)	EA	3
*	53933	TRIM TAB KIT 12"/CD	ST	1
2	50993	GARBOARD DRAIN FLANGE	EA	1
3	50994	GARBOARD DRAIN PLUG	EA	1
*	2402	8 X 1 PFH SILICON BRONZE	EA	2
4	2721	ALUM TRNSM STEP	EA	1
*	315-1	CLAM SHELLS MIDGET	EA	1
5	1703	FUEL TANK VENT	EA	1
SWIM STEP/PLATFORM				
6	34278	SWIM PLAT END W/STEP-BRIGHT WHITE	EA	1
7	34878-S	STEP ONLY	EA	1
8	34878-P	PLUG ONLY	EA	2
9	7583	SWIM PLATFRM CHANNEL ALUM	EA	2
10	9274	SWM STEP LADDER TUBE/PIN ASSY	EA	2
*	62962	LABEL, BOARDING LADDER WARNING	EA	1
SWIM PLATFORM BRACES				
11	52801	RAIL, SWIM STEP I/B	EA	1
12	52800	RAIL, SWIM STEP O/B	EA	1
13	50101	90 DEG REC BASE NH	EA	2

* NOT SHOWN

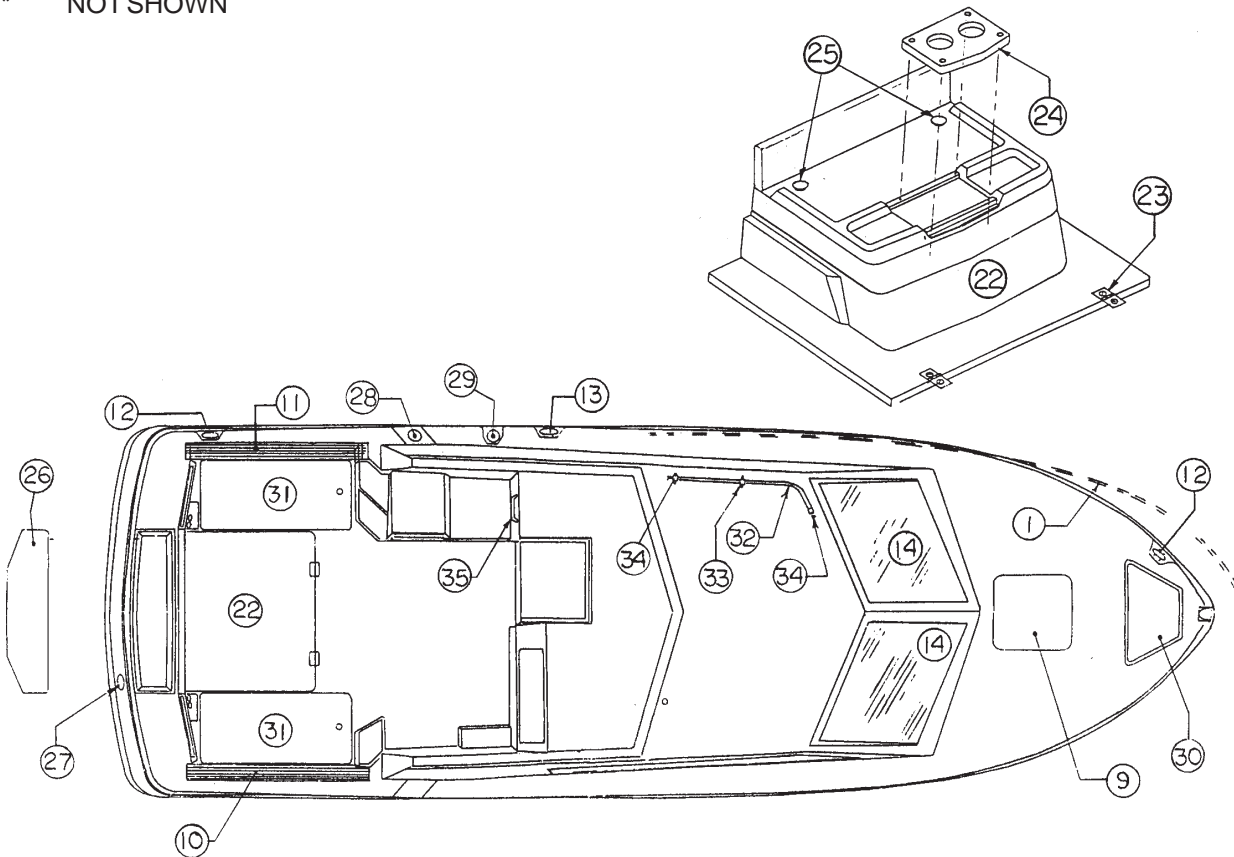


ITEM NO.	PART NUMBER	PART DESCRIPTION	U/M	QTY.
	58913	BOW RAIL ASSEMBLY	EA	1
1	58555	BOW RAIL	EA	1
2	58556	RAIL HEEL	EA	2
3	58558	AFT STANCHION	EA	2
4	58557	MID STANCHION	EA	2
5	52656	FWD STANCHION	EA	2
6	50108	60 DEG RAIL TEE R & L NH	EA	6
7	50106	60 DEG ROUND BASE NH	EA	6
8	50105	30 DEG BASE NH	EA	2
		DECK HARDWARE		
9	58964	ESCAPE HATCH BLACK/WITH WHITE TRIM	EA	1
*	13168	SNAP CAP-BLACK	EA	4
10	52502	SIDE STEP (STBD) WITH N/H	EA	1
11	52503	SIDE STEP (PORT) WITH N/H	EA	1
12	7821	CLEAT 8" 4-HOLE CHROME	EA	4
13	7857	CLEAT 6" 4-HOLE	EA	2
14	52541	FWD CABIN GLASS (GRAY) CD	EA	2
*	57757	2-SIDED TAPE	RL	1
*	34961	FOLDING CUPHOLDER BALCK	EA	2
*	53760	HIDDEN HORN, WHITE	EA	1
15	52814	ROD HOLDER	EA	8
16	7026	1/4" BUNGEE CORD	FT	6
*	9469	HOG RINGS S/S	EA	8
17	31354-G	ROD GUIDE-WHITE	EA	2
18	CD1220504.01	PORT ACCESS DOOR	EA	1
19	51638	HATCH RING 15X21.5W/H (PORT)	EA	1
*	39205	HATCH RING HINGE	EA	1
*	38379	BLACK FOAM SEAL	FT	4
*	CD1220514.01	STBD ACCESS DOOR	EA	1
*	37812	HATCH RING 11 X 15 (STBD)	EA	1
*	39205	HATCH RING HINGE	EA	1
20	39733	LIFT RING NON-LOCK W/ 3/8" OFFSET	EA	3
21	38379	BLACK FOAM SEAL	FT	4
22	83050	LAMINATED MOTOR BOX	EA	1
23	1477	HINGE	EA	2
	85399	MOTOR BOX COMPLETE ASSEMBLY	EA	1
*	86722	MOTOR BOX CUSHION		
24	69770	MOTOR BOX CUPHOLDER ASSY, WHITE	EA	1
*	34961	FOLDING CUPHOLDER	EA	1
25	3031	ENG HATCH CVR LIFT HANDLE	EA	1
26	69771	FISH WELL COVER	EA	1
*	3669	2X2 CHROME BUTT HINGE	EA	2
*	32244	1" BLACK NYLON WEBBING	YD	2
*	36327	WHITE CATCH F/HATCH HINGE	EA	2
*	52260-A	LID STIFFENER	EA	1
27	11992	FUEL FILL CHROME	EA	1
28	11993	WATER FILL CHROME	EA	1
29	11995	DECK WASTE FITTING BREASS	EA	1
30	83053	ROPE LOCKER HATCH	EA	1
*	3669	2 X 2 CHROME BUTT HINGE	EA	2
31	83054	LAMINATED DECK HATCH	EA	1
*	3031	HATCH PULL	EA	2
*	50679	FOOTREST	EA	1
*	50565	SAFTEY STEP	EA	1
*	NOT SHOWN			
DRAWINGS ON FOLLOWING PAGES				



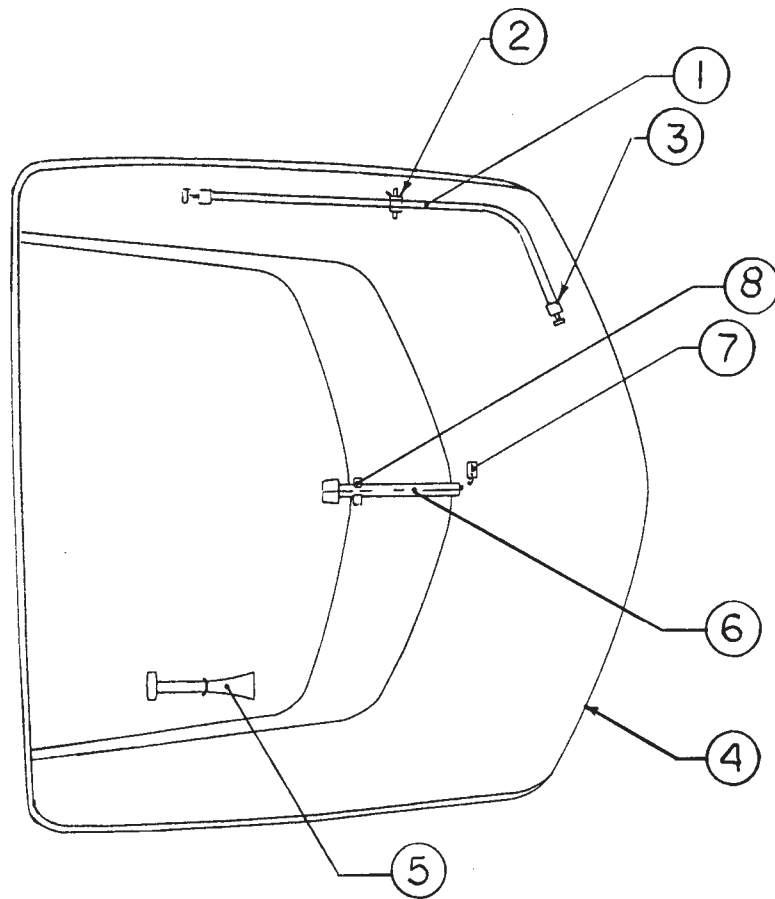
ITEM NO.	PART NUMBER	PART DESCRIPTION	U/M	QTY.
PORT SEAT STORAGE DOOR				
*	CD2370101.01	DOOR ASSY. PORT RISER	EA	1
*	39733	LIFT RING, NON LOCK	EA	1
*	52738	12 X 24 HATCH RING	EA	1
*	39205	HATCH RING HINGE	EA	1
*	38379	BLACK FOAM SEAL	FT	6
TRANSOM GATE HARDWARE				
*	2552	CHROME FENDER HOOK	EA	1
*	2816-1	CHROME EYE STRAP	EA	1
*	2357	#8 JACK CHAIN	FT	2
GRAB/HAND RAILS				
32	52652	GRAB RAIL H/T (PORT AND STBD)	EA	2
33	50102	60 DEG HND RL CENTER	EA	2
34	50103	60 DEG HND RL END	EA	4
35	36273	6-1/2" BLK PVC GRAB HANDLE (PORT DASH)	EA	1
GUNNEL				
*	1265	3/4" GUNWALE RUBBER	FT	60
*	59290	ETCH GUNWALE 12' WIDE W/CHAMFER	EA	4
*	59289	ETCH GUNWALE 10' WIDE W/CHAMFER	EA	1
WIPER ASSEMBLY				
*	53239	65 DEGREE WIPER MOTOR	EA	1
*	1363-A	WIPER BLADE H/D 16"	EA	1
*	1364-A	WIPER ARM H/D 12.5"	EA	1
*	54057	SHIM WIPER MOTOR 3/8" TO 1/4"	EA	1

* NOT SHOWN

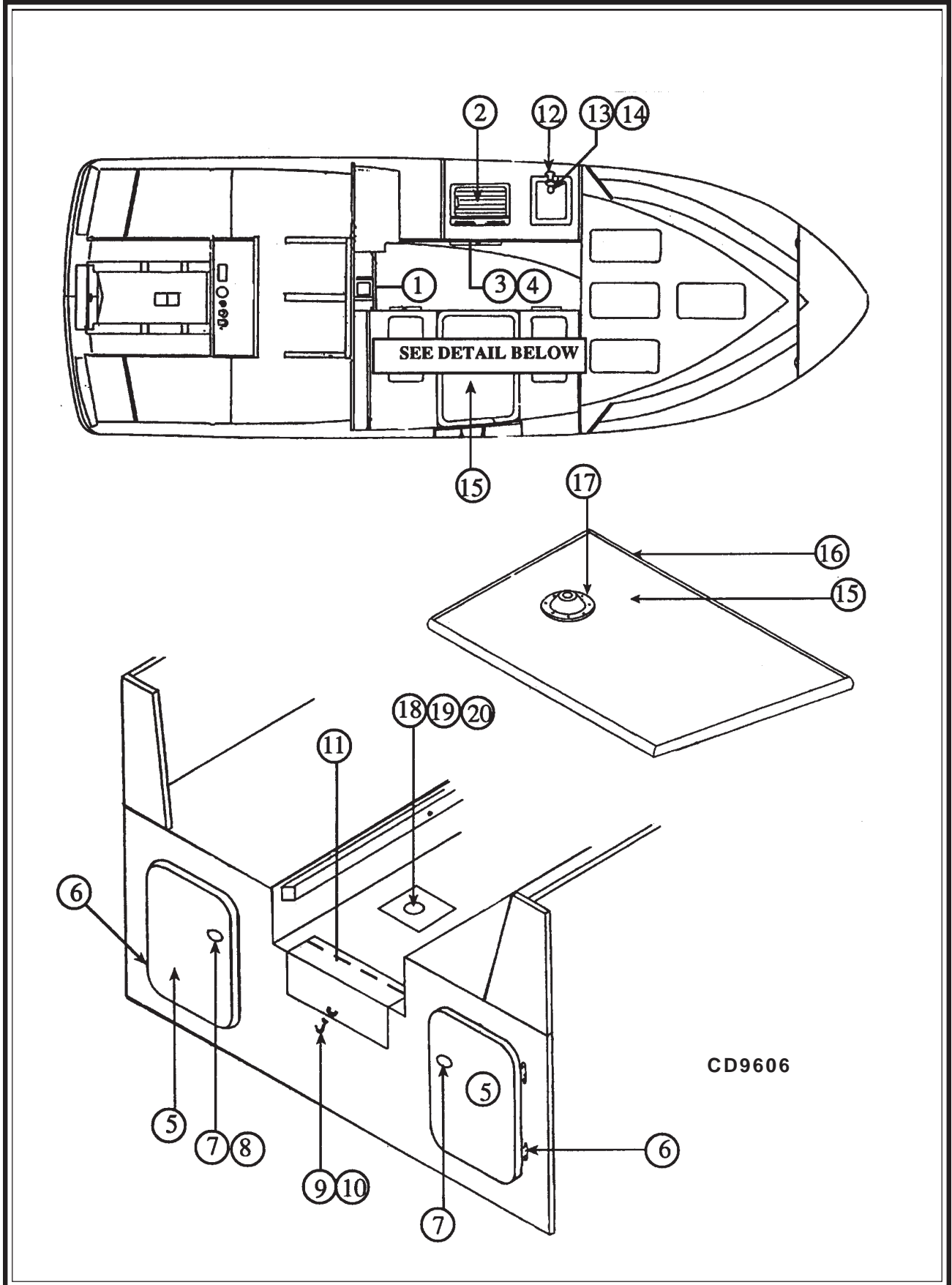


ITEM NO.	PART NUMBER	PART DESCRIPTION	U/M	QTY.
HARDTOP HARDWARE				
1	52652	GRAB RAIL H/T	EA	2
2	50102	60 DEG HND RL CENTER NH	EA	2
3	50103	60 DEG HND RL END NH	EA	4
4	1880	GUTTER W/LIP 12'	FT	24
5	53760	SGL TRUMPET HORN S/S	EA	1
6	68449	MASTHEAD LIGHT, 18" FOLD DOWN	EA	1
7	53754	WIRE COVER BLACK	EA	1
8	13187	LIGHT POLE STORAGE CLIP	EA	1
*	52799	RAIL, HARDTOP SWAY	PR	1
*	8494	RECT BASE-30 DEG	EA	4

* NOT SHOWN



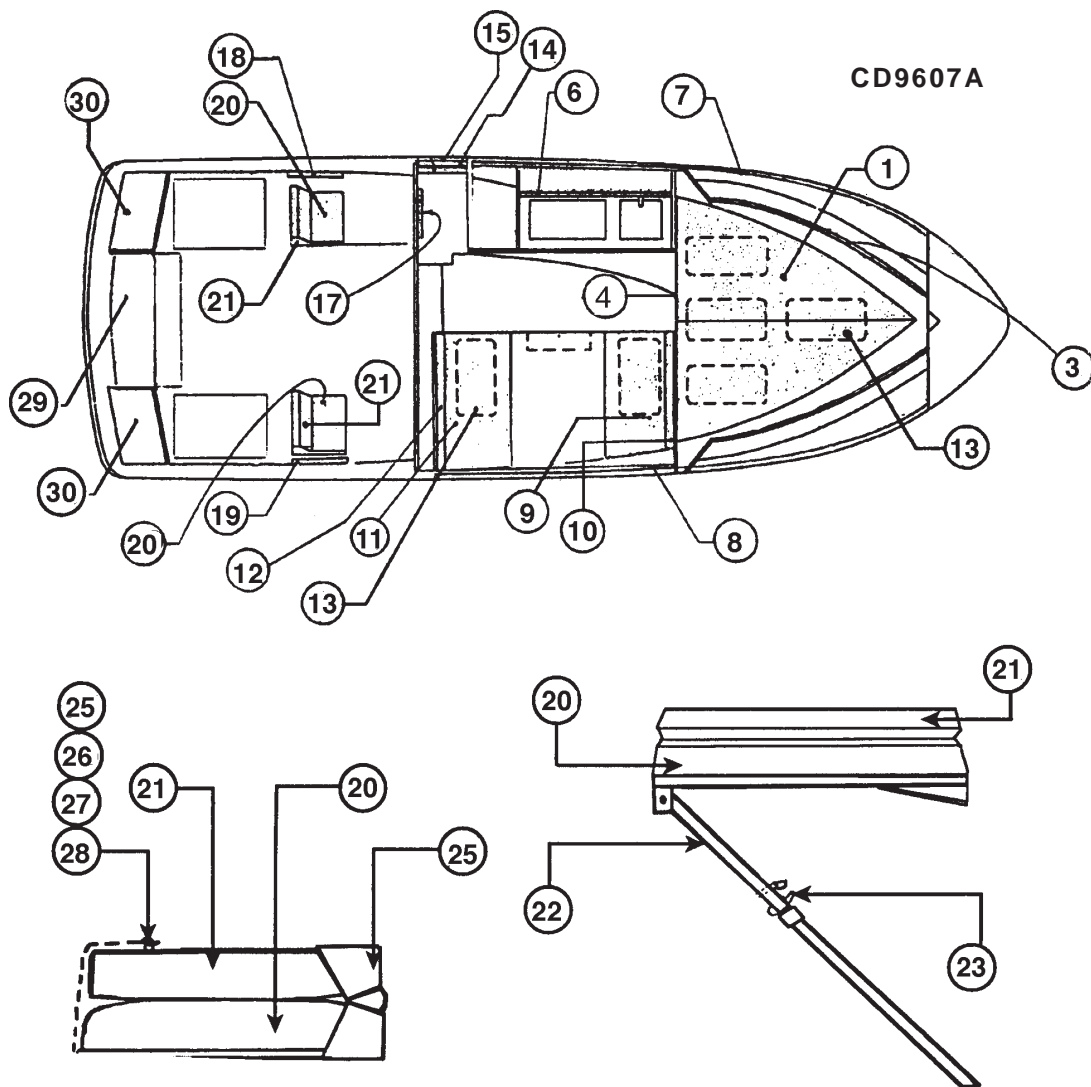
CD9605



ITEM NO.	PART NUMBER	PART DESCRIPTION	U/M	QTY.
BOAT INT. CURTAIN ASSY'S				
*	61900	CURTAIN KIT	EA	1
*	61900-A	PORT FWD CURTAIN-CURTAIN A	EA	1
*	61900-B	STBD. FWD CURTAIN-CURTAIN B	EA	1
*	61900-C	HEAD CURTAIN-CURTAIN C	EA	1
*	61900-D	PORT AFT CURTAIN-CURTAIN D	EA	1
*	61900-E	STBD. AFT CURTAIN-CURTAIN E	EA	1
*	89107	PORT FWD WINDOW COVER-CURTAIN #1	EA	1
*	89108	STBD. FWD WINDOW COVER-CURTAIN #2	EA	1
*	89109	DASH ACCESS CURTAIN-GEL WHITE X-#61980	EA	1
V-BERTH UPHOLSTERY				
1	89076	V-BERTH CUSHION	EA	1
3	89077	PORT V-BERTH BACK PAD	EA	1
*	89078	STBD. V-BERTH BACK PAD	EA	1
4	89079	V-BERTH BOLSTER PAD	EA	1
*	89080	V-BERTH ROPE LOCKER HEADBOARD PAD	EA	1
*	89081	V-BERTH BOW BACK PAD	EA	1
CABIN/DINETTE UPHOLSTERY				
7	89082	PORT CURTAIN VALANCE ASSY-SALON	EA	1
8	89083	STBD CURTAIN VALANCE ASSY-SALON	EA	1
9	89084	FWD DINETTE CUSHION	EA	1
10	89085	FWD DINETTE BACK	EA	1
11	89086	AFT DINETTE CUSHION	EA	1
12	89087	AFT DINETTE BACK	EA	1
13	89089	CARPETED STORAGE BOARD	EA	4
HEAD UPHOLSTERY				
14	89091	CURTAIN VALANCE ASSY-HEAD	EA	1
15	89090	GUNNEL PAD-HEAD	EA	1
17	89093	MAGAZINE POUCH	EA	1
*	89092	HEAD BOLSTER PAD	EA	1
COCKPIT UPHOLSTERY				
18	89094	PORT SIDE PANEL	EA	1
*	52852	SIDE PANEL Z-CLEAT, 18"	EA	1
*	7484	PLASTIC EDGE TRIM CHROME	FT	2
19	89095	STBD SIDE PANEL	EA	1
*	52852	SIDE PANEL Z-CLEAT, 18"	EA	1
*	7484	PLASTIC EDGE TRIM CHROME	FT	2
HELM/MATE SEAT ASSEMBLIES				
20	89096	HELM SEAT CUSHION	EA	2
21	89097	HELM SEAT BACK	EA	2
22	52600	HELM SEAT HARDWARE ASSY.	EA	1
*	53678	HELM SEAT WARNING LABEL	EA	1
23	53785	PIN Q-RELEASE 2 1/4" W/LANYARD 6"	EA	2
24	61538	359 BASS HINGE W/REVERSE BEND	PR	2
25	87	SNAP STUD	EA	1
26	32244	1" BLACK NYLON WEBBING	FT	2
27	81	SNAP BUTTON	EA	1
28	82	SNAP SOCKET	EA	1
* NOT SHOWN				
DRAWING ON THE FOLLOWING PAGE.				

ITEM NO.	PART NUMBER	PART DESCRIPTION	U/M	QTY.
29	89099	MOTOR BOX CUSHION	EA	1
30	89100	PORT TRANSOM CUSHION	EA	1
*	55692	CLEAT, SEAT 4"	EA	4
*	89102	STBD. TRANSOM CUSHION	EA	1
*	55692	CLEAT, SEAT 4"	EA	4
PILLOW ASSEMBLIES				
*	66303	97" CIERA -PILLOW (MONROE MAUVE)	EA	1
*	66304	97" CIERA-PILLOW MONROE HAZE)	EA	1

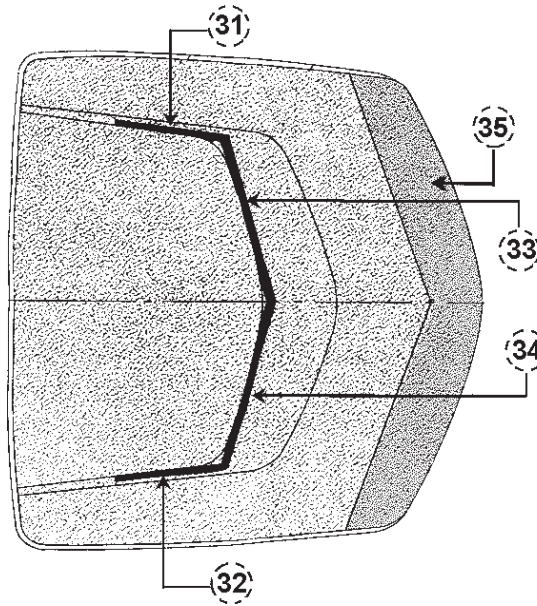
* NOT SHOWN



ITEM NO.	PART NUMBER	PART DESCRIPTION	U/M	QTY.
HARDTOP UPHOLSTERY				
31	89102	PORTPAD	EA	1
32	89103	STBDPAD	EA	1
33	89104	PORT FWD PAD	EA	1
34	89105	STBD FWD PAD	EA	1
35	89106	VISOR PAD	EA	1
*	70199	HARDTOP HEADLINER-GEL WHITE VINYL	LY	

* NOT SHOWN

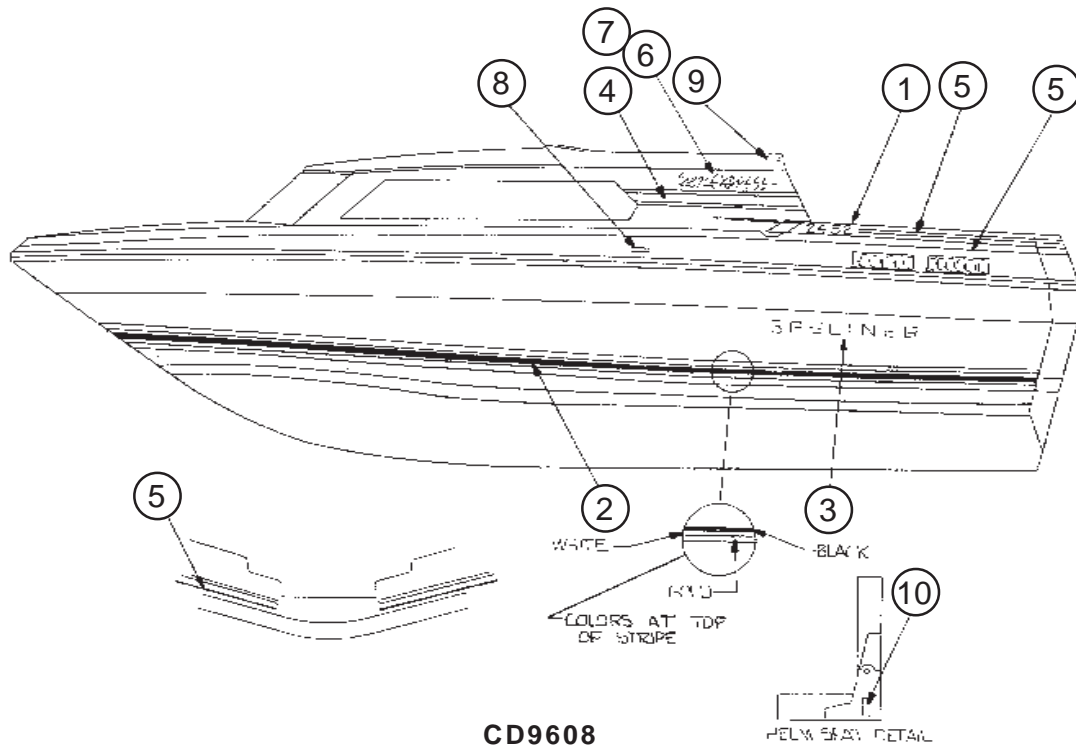
TOP VIEW



CD9607B

ITEM NO.	PART NUMBER	PART DESCRIPTION	U/M	QTY.
HULL INT LABELS				
*	3885-A	BATT INSTALLATION/COMPL LABEL	EA	1
*	OIL DEC	OIL DISCHARGE DECAL	EA	1
HULL EXT TAPES & LABELS				
1	61421	LOGO 2452, CIERA EXP 96	EA	2
2	61424	WATERLINE STRIPE, CIERA EXP 96	FT	44
*	8033	MARINE CORE LABEL	EA	1
DECK TAPES & LABELS				
3	61423	HULL LOGO, BAYLINER (CIERA EXPRESS)	EA	2
4	61419	DECK STRIPE 3" CIERA EXP 96	FT	11
5	61420	DECK STRIPE 1/2", CIERA EXP 96	FT	82
6	61417	LOGO DECK, CIERA EXP, PORT	EA	1
7	61418	LOGO DECK, CIERA EXP, STBD.	EA	1
*	55662	LABEL, USSM THANKS/5 YEAR/NMMA	EA	1
*	62680	LABEL, CAPACITY-2452 CD	EA	1
*	65170	LABEL, TRIM TAB	EA	1
*	65778	STRIPE, 1/2" WHITE/WHITE CLEANUP TAPE	FT	8
*	61414	STICKER, PPG FIBERGLASS	EA	1
*	64476	OVERLAM F/CAP LABEL	EA	1
8	13120	POTABLE WATER WARNING	EA	1
9	6336	LABEL SEQU. LIFT HULL	EA	2
10	53678	HELM SEAT WARNING	EA	1

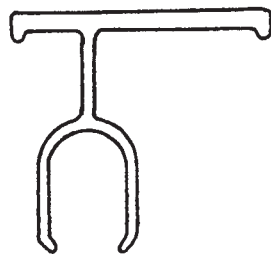
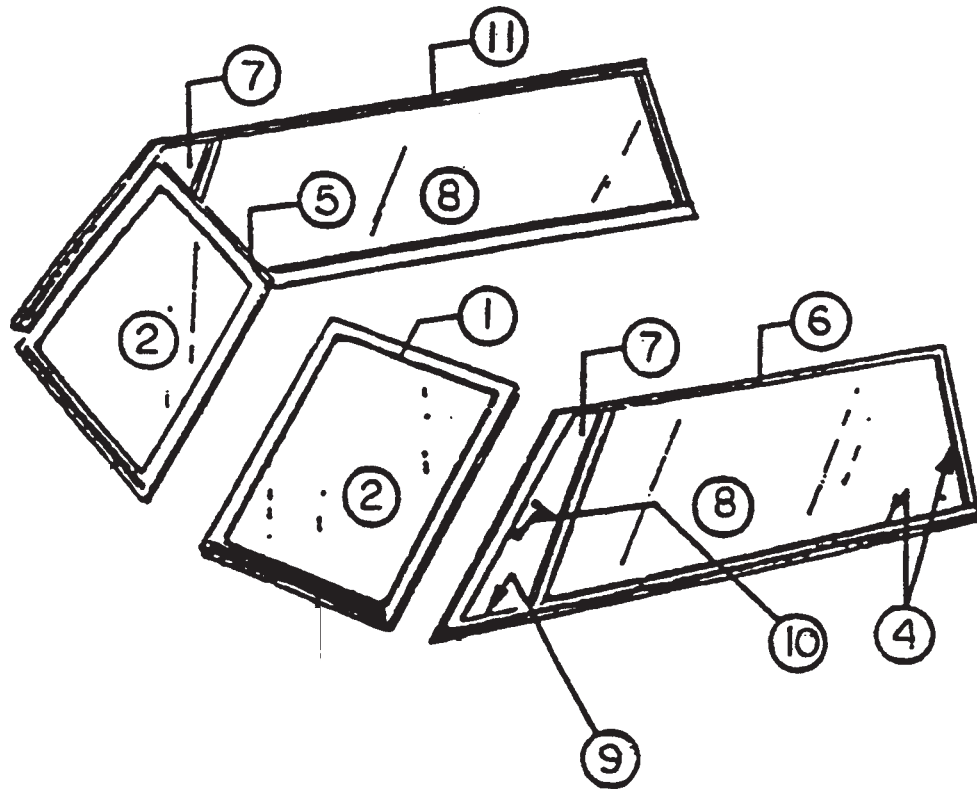
* NOT SHOWN



ITEM NO.	PART NUMBER	PART DESCRIPTION	U/M	QTY.
	51978	WINDSHIELD SYSTEM		
		WINDSHIELD SYSTEM 2452CD	EA	1
1	51978-XF	PORT FRONT PANEL	EA	1
2	51978-02	FRONT PANEL GLASS CLEAR	EA	1
4	5751	VINYL VT 10067 BLACK	FT	12
*	6209	1/8X3/8 2 SIDE TAPE	FT	12
*	52564	MOUNT BRACKET W/S35"	EA	1
5	51978-XH	STBD FRONT PANEL	EA	1
2	51978-02	FRONT PANEL GLASS CLEAR	EA	1
*	5751	VINYL VT 10067 BLK	FT	12
*	6209	1/8X3/8 2 SIDE TAPE	FT	12
*	52564	MOUNT BRACKET W/S35"	EA	1
6	51978-XJ	PORT WING SECT I (FWD)	EA	1
7	51978-04	WING VENT GLASS CLEAR	EA	1
8	51978-06	WING GLASS CLEAR	EA	1
*	5751	VINYL VT 10067 BLK	FT	9
9	7943	FLEXIBLE RUBBER EXTRUSION	FT	4
10	8038	T HANDLE FOR VENTED BMC	EA	1
11	51978-XN	STBD WING SECT I (FWD)	EA	1
7	51978-04	WING VENT GLASS CLEAR	EA	1
8	51978-06	WING GLASS CLEAR	EA	1
*	5751	VINYL VT 10067 BLK	FT	9
*	7943	FLEXIBLE RUBBER EXTRUSION	FT	4
*	8038-XU	T HANDLE FOR VENTED BMC	EA	1
*	51978-XU	KITS		
*	6209	1/8 X 3/8 2 SIDE TAPE	RL	1
*	5737	VINYL VTR 195 BLK RGD	EA	3

* NOT SHOWN

DRAWING ON FOLLOWING PAGE



#5737

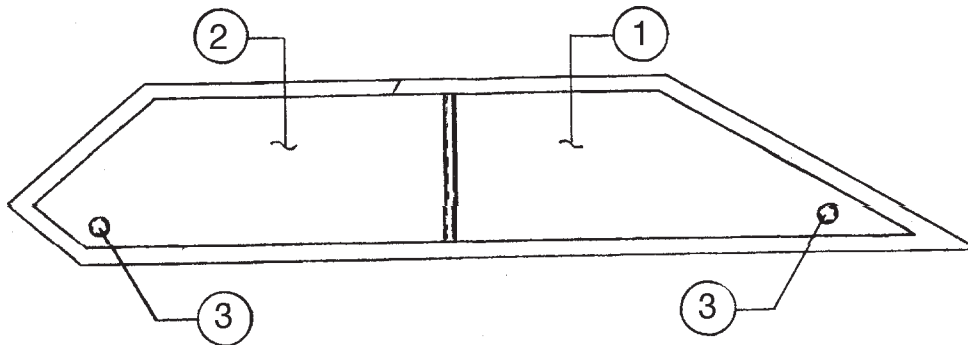


#7943

CD9609A

ITEM NO.	PART NUMBER	PART DESCRIPTION	U/M	QTY.
*	52862	SIDE CABIN WINDOW PORT	EA	1
*	52862-04	FWD SIDE WINDOW GLASS (GRAY)	EA	1
*	52862-05	AFT SIDE WINDOW GLASS (GRAY)	EA	1
*	5741	SHALLOW STAN PRO FLOX SNG	FT	30
*	5745L-XU	SLIDER LOCK ASSY	EA	1
*	5743	AMESBURY PILE	FT	3
*	11100-XU	WINDOW KNOB-BLACK PLASTIC	EA	2
*	52862-XS1P	WINDOW SCREEN ASSY	EA	1
*	52863	SIDE CABIN WINDOW STBD	EA	1
1	52862-04	FWD SIDE WINDOW GLASS (GRAY)	EA	1
2	52862-05	AFT SIDE WINDOW GLASS (GRAY)	EA	1
*	5741	SHALLOW STAN PRO FLOX SNG	FT	30
*	5745R-XU	SLIDER LOCK ASSY	EA	1
*	5743	AMESBURY PILE	FT	3
3	11100-XU	WINDOW KNOB-BLACK PLASTIC	EA	2
*	52863-XS1S	WINDOW SCREEN ASSY	EA	1
*	52758	WIRE COVER BLACK	EA	1

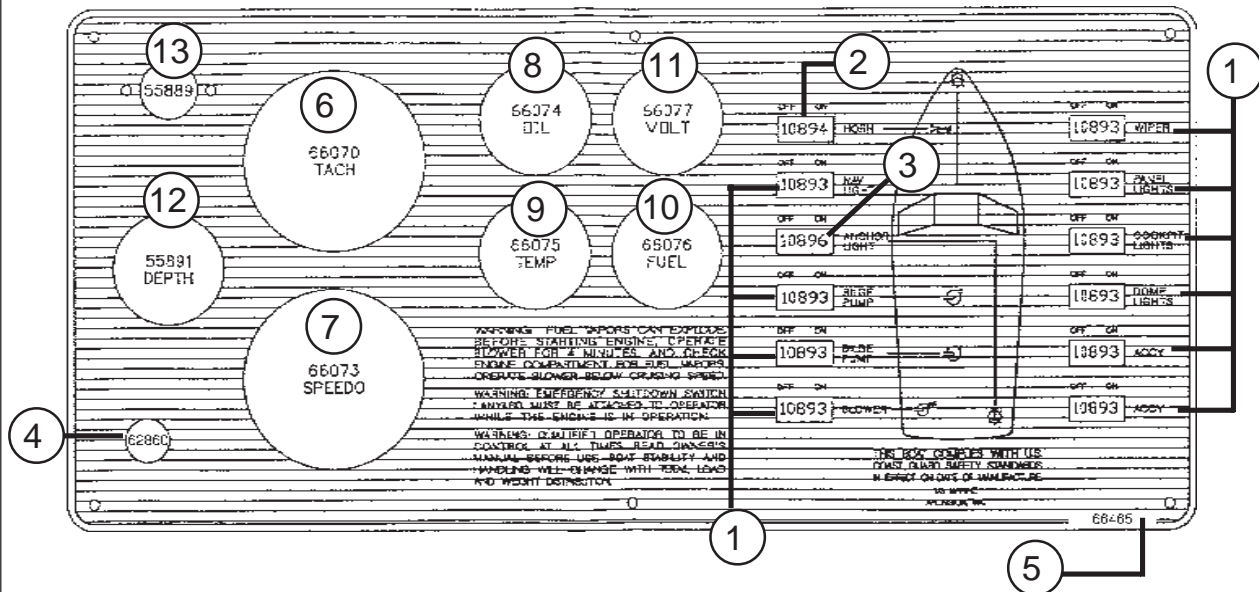
* NOT SHOWN



CD9609B

ITEM NO.	PART NUMBER	PART DESCRIPTION	U/M	QTY.
BOAT ELEC WIRING				
*	52521-A	HARNASS,ENG/ACCY	EA	1
MAIN BODY OF HARNASS				
*	6164	SPEEDO HS .28DX.16ID	FT	27
*	66715	DASH/HARNASS,GAS (STD)	EA	1
*	66724	ENG/ACCY HARNASS 2452CD	EA	1
GAUGE PANEL				
1	10893	SWITCH-SPST OFF-ON	EA	10
2	10894	SWITCH SPST-OFF(ON) (HORN)	EA	1
3	10896	SWITCH-SPDT ON-ON	EA	1
4	62860	SWITCH,INBD,I/O IGNITION	EA	1
5	66465	PANEL BLANK,97 MICA STD,CD,SC	EA	1
6	66070	GAUGE,TACH,GAS(I/O&O/B)KRONOS BLACK	EA	1
7	66073	GAUGE,SPEEDO,KRONOS BLACK	EA	1
8	66074	GAUGE,OIL PRESS,KRONOS BLACK	EA	1
9	66075	GAUGE,WATER TEMP,KRONOS BLACK	EA	1
10	66076	GAUGE,FUEL LEVEL,KRONOS BLACK	EA	1
11	66077	GAUGE,VOLTMETER,KRONOSBLACK	EA	1
FUSE BLOCK				
*	31265	5 AMP FUSE #P-3087	EA	3
*	31266	7.5 AMP FUSE #P-3087	EA	2
*	31267	10 AMP FUSE #P-3087	EA	11
*	31268	15 AMP FUSE #P-3087	EA	1
*	31269	20 AMP FUSE #P-3087	EA	1
*	52096	18 PLACE FUSEBLOCK	EA	1
12	55891(OZI OPTION)	2"LCD,DEPTH SOUND-XAP6-16TRNSD,BL	EA	1
13	55889 (OZI OPTION)	12 VOLT ADAPTOR	EA	1

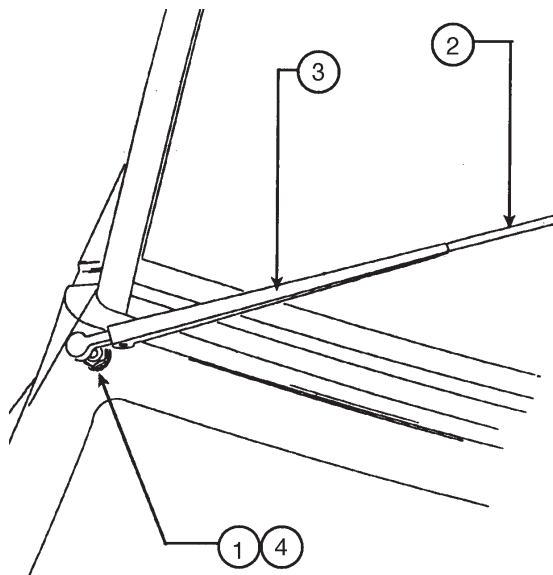
* NOT SHOWN



CONTINUED ON FOLLOWING PAGE

ITEM NO.	PART NUMBER	PART DESCRIPTION	U/M	QTY.
MISC. WIRE ASSY				
*	66717	BACKCLAMP, 2"GAUGE, 2.1" LONG	EA	4
*	52522	HARNESS, HARDTOP (CD)	EA	1
*	54048	CABLE KIT, BATTERY	EA	1
*	14678	2 LIGHT-SWITCHPLATE ASSY	EA	1
PANEL ASSEMBLIES				
*	13698	2 LIGHT SWITCH PLATE	EA	1
*	10893	SWITCH-SPST OFF-ON	EA	2
*	61919-A	HARNESS, FWD DECK	EA	1
*	68887	PANEL ASSY, MACERATOR	EA	1
SWITCH PANEL				
*	10894	SWITCH SPST-OFF(ON) (HORN)	EA	2
*	66430	PANEL BLANK, MACERATOR	EA	1
*	66743	WIRE, JUMPER 6" 10GA BROWN	EA	1
INTERIOR LIGHTS				
*	61324	LIGHT, SURF MT./DRM WT. SW/HLGN	EA	6
*	56070	4" SURF MT. DRM. WHT DOME LT. W/SWT(86)	EA	2
EXTERIOR LIGHTS				
*	56070	4" SURF MT. DRM. WHT DOME LT. W/SWT(86)	EA	2
NAV & ANCHOR LIGHTS				
*	316	BOW LITE MICRO MINI	EA	1
*	68449	MAST HD LIGHT, 18" FOLD DOWN	EA	1
*	13187	LIGHT POLE STORAGE CLIP	EA	1
*	53754	COVER, BLACK PLASTIC	EA	1
AUDIO VISUAL EQUIPMENT				
*	9622	ANALOG AM/FM STEREO CASS	EA	1
*	60262	SPEAKERS-WHITE 5 1/4" WS 34564	PR	1
*	11558	STEREO SPEAKER BACK COVER	EA	2
WIPER ASSEMBLY				
1	53239	WIPER MOTOR	EA	1
2	1363-A	WIPER BLADE H/D STR.	EA	1
3	1364-A	WIPER ARM H/D 12.5"	EA	1
4	54057	SHIM WIPER MOTOR 3/8" TO 1/4"	EA	1

* NOT SHOWN



CD9610B

2452 CD 1997

CANVAS
SECTION 11

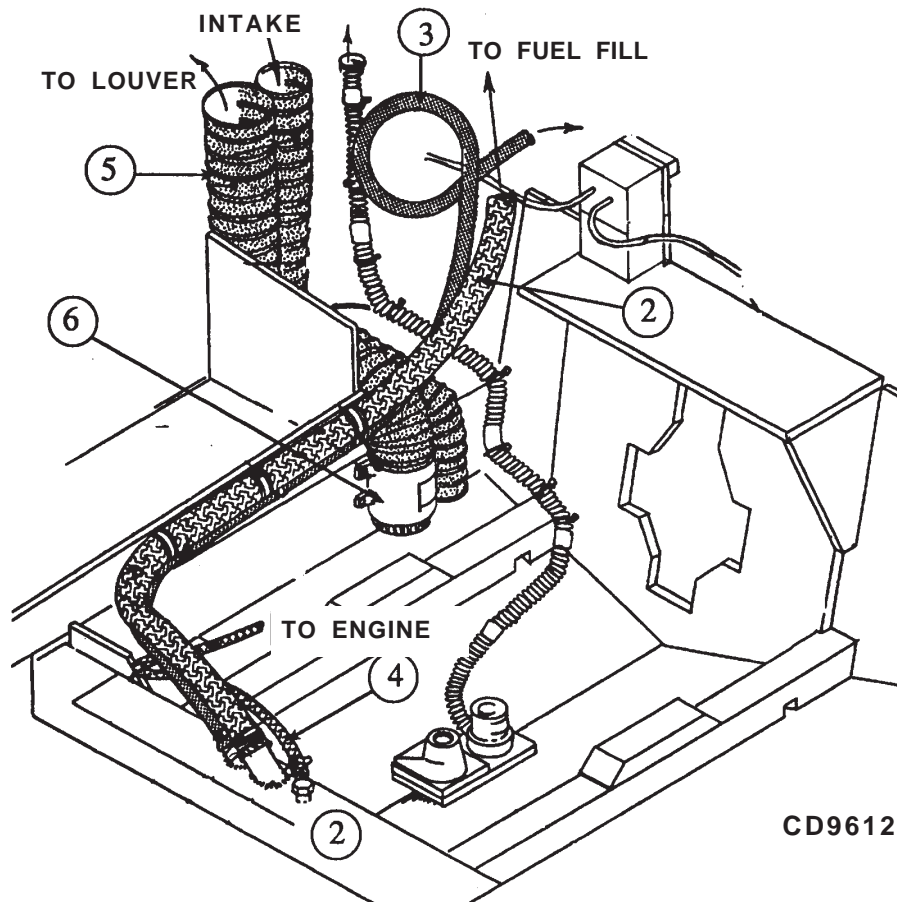


ITEM NO.	PART NUMBER	PART DESCRIPTION	U/M	QTY.
*	68108	CRUISE CURTAIN (WHITE-#66343)	EA	1
*	81	SNAPBUTTON	EA	26
*	82	SNAP SOCKET	EA	26
*	83	SNAP STUD	EA	2
*	84	SNAPEYE	EA	2
*	86	SNAP STUD	EA	10
*	88	TURNBUCKLE EYE	EA	15
*	89	TURNBUCKLE WASHER	EA	15
*	90	TURNBUCKLE STUD	EA	15
*	11563	SMALL BASE CANVAS STUD	EA	15
*	58240	STAINLESS STEEL ZIPPER STOP	EA	4
*	63204	ZIPPER CHAIN, WHITE YKK	YD	5
*	63206	ZIPPER SLIDE, WHITE YKK METAL	EA	2
*	12293	WEBGRAY NYLON WEBBING	YD	4

* NOT SHOWN

ITEM NO.	PART NUMBER	PART DESCRIPTION	U/M	QTY.
STEERING SYSTEM				
*	61034	16" WHEEL 3/4 TAPER	EA	1
*	11958	STEERING HELM ASSY	EA	1
*	11959	90 DEG BEZEL KIT	EA	1
*	11962	FRICION KNOB NC	EA	1
ENGINE FUEL SYSTEM				
*	11992	FUEL FILL CHROME BRASS	EA	1
1	625	1-1/2 FUEL FILL, 1 1/2"	FT	7
2	52397	78 GALLON FUEL TANK	EA	1
3	623	HOSE, FUEL VENT, 5/8"	FT	8
*	1703	GAS TANK VENT	EA	1
4	624	HOSE, FUEL FEED, 3/8"	FT	2
*	62966A	GAS FUEL WARNING LABEL-I/O & INBRD	EA	1
*	65745	LABEL FUEL FILL, GAS, ISO	EA	1
*	694-EC	3/8 BRB X 1/4 MIP BRS M ADP	EA	1
ENGINE VENT SYSTEM				
*	66157	WHITE/WHITE LOUVER, 2" X 15"	EA	4
*	59008	STBD PUNCHABLE COLLECTOR	EA	1
*	54608	4" OVAL FLANGE	EA	2
5	279	HOSE VENT 4"	FT	14
6	56772	4" BLOWER	EA	1
*	59007	COLLECTOR BOX, RECT. CUT ABS	EA	3

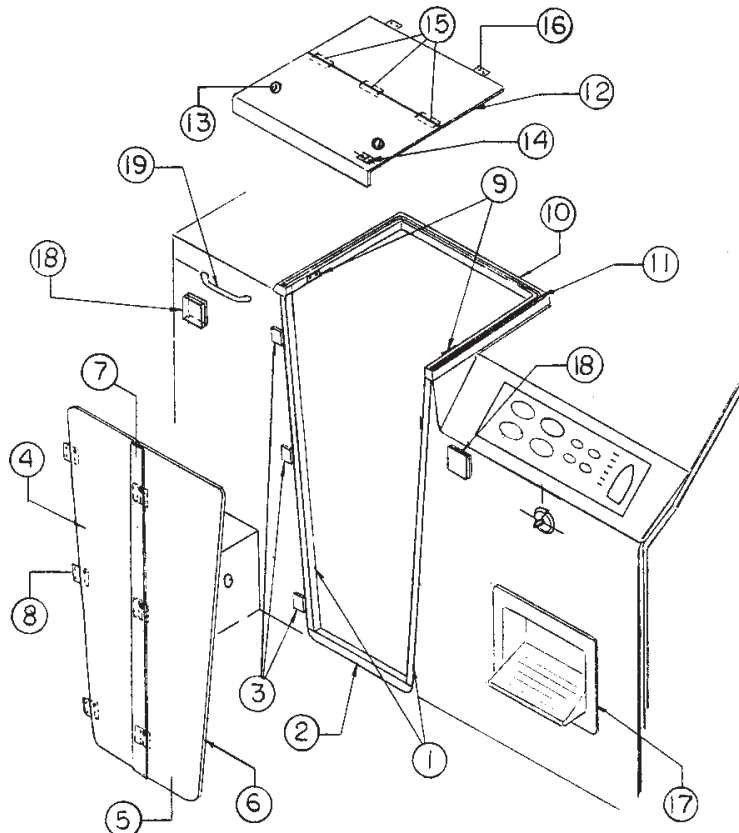
* NOT SHOWN



CD9612

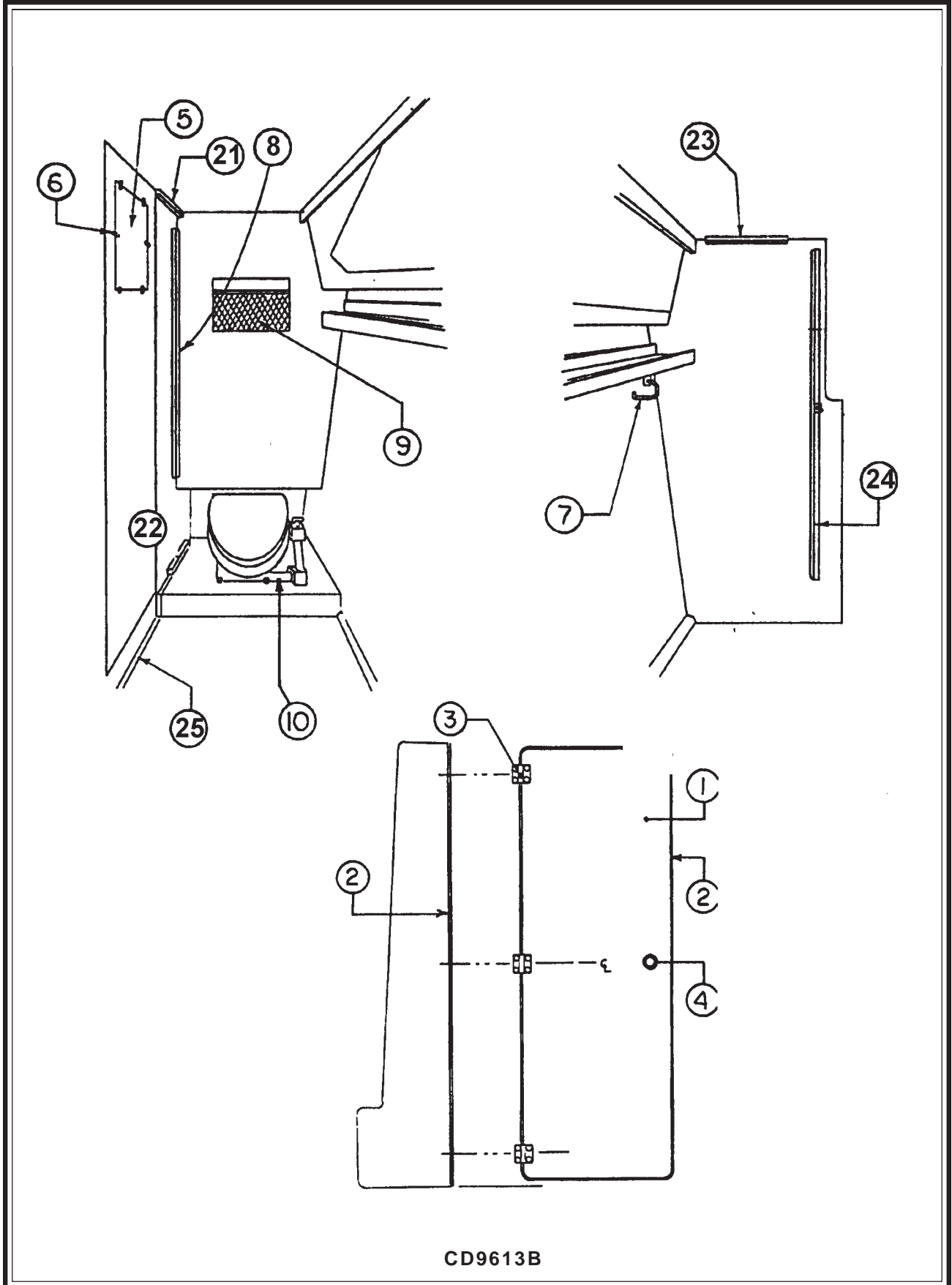
ITEM NO.	PART NUMBER	PART DESCRIPTION	U/M	QTY.
ENTRY TRIM				
1	39652	ENTRY TRIM 48"	EA	2
2	52980	THRESHOLD ENTRY 18"	EA	1
ENTRY DOOR ASSY				
*	K-5168	BUMPER	EA	2
3	12293	1" GRAY NYLON WEB	FT	2
*	90	TURNBUCKLE STUD	EA	1
4	CD1220101.01	PORT ENTRY DOOR (6040, 1/2" WHITE 2/S DECAGUARD)	EA	1
5	CD1220101.04	STBD ENTRY DOOR (6040, 1/2" WHITE 2/S DECAGUARD)	EA	1
6	52098	1/2" ALUM. T-MOLD CAPTIVE EDGE 12'	FT	20
7	CD1220101.03	PRIVACY STRIP, (54847, 1/4" STBD. WHT/WHT)	EA	1
8	57039	HINGE, ENTRY DOOR	EA	6
9	9852	ENTRY STRIKER PLATE F/ST	EA	2
*	53498	SHIM	EA	2
10	31993	VACUFORM ENTRY TRIM-FT	EA	1
11	39212	BLACK CANVAS WATER SEAL	FT	13
12	52730	PLEX ENTRY HATCH, ASSY	EA	1
13	52973	CAM LOCK KIT	EA	2
14	1199 #1	HOOK DOOR SHORT	EA	1
15	4030	602 BLK HINGE	PR	2
16	3669	2X2 CHROME BUTT HINGE	EA	2
17	50679	FOOTREST	EA	1
*	50565	SAFETY STEP F/FT. REST 8-7/8X2-1/4"	EA	1
18	34961	FOLDING CUPHOLDER-BLACK	EA	2
19	36273	6-1/2" BLACK PVC GRAB HANDLE	EA	1

* NOT SHOWN

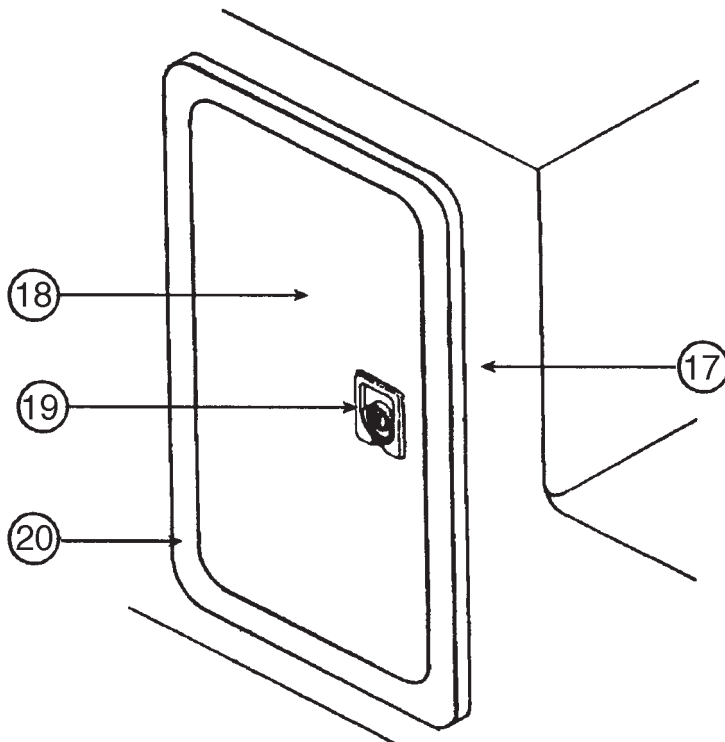
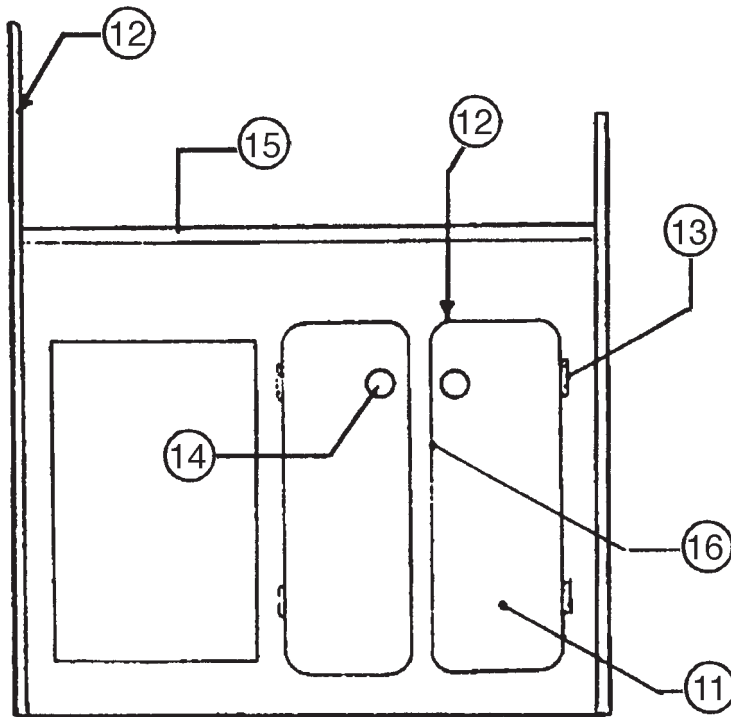


CD9613A

ITEM NO.	PART NUMBER	PART DESCRIPTION	U/M	QTY.
HEAD/SHOWER ASSEMBLY				
1	CD2310101	HEAD DOOR ASSEMBLY	EA	1
2	55904	T-TRIM 11/16" DREAMWHITE	FT	24
3	3669	2X2 CHROME BUTT HINGE	EA	3
4	57690	RIM LATCH	EA	1
*	35734	LATCH SHIM BLK ABS W/ROVEL CAP	EA	1
5	6976	MIRROR 12X20X1/8	EA	1
6	3059	1/8" MIRROR HOLDER	EA	4
7	60931	WHITE TOWEL RING - TP HOLDER	EA	1
*	33636	BLK. BULHEAD BUMPER	FT	7
8	68176	CLEAT 48"	EA	1
21	68172	CLEAT 6"	EA	1
22	68174	CLEAT 11"	EA	1
23	68175	CLEAT 13 1/2"	EA	1
24	68177	CLEAT 55" (DOOR STOP)	EA	1
25	1937	EDGE 7/16" SCR 12'	FT	3
9	89093	MAGAZINE POUCH	EA	1
10	1394	MARINE HEAD	EA	1
*	65912	LAMPLY, 5/8" 932 ANTIQUE WHITE GLOSS	SF	18
GALLEY ASSEMBLY				
*	CD1050103	GALLEY DRAWER	EA	1
11	65912-D-011	GALLEY DOOR-9.875 X 21.75 ANT. WHT. DOOR	EA	2
12	55904	11/16 T-TRIM DREAMWHITE	FT	12
*	62879	METAL SLIDER, 12"	PR	1
13	60176	HINGE-CHROME OVERLAY	EA	4
14	65320	KNOB CHROME/CHROME	EA	2
15	65982	ASH SEA RAIL	LF	4
16	6199	NYLATCH ROLL CATCH W/STKR	EA	2
PORT SEAT RISER DOOR(PORT SLEEPER SEAT)				
17	CD2370101	PORT RISER STORAGE DOOR ASSEMBLY	EA	1
18	CD2370101.01	DOOR ONLY	EA	1
19	39733	LIFT RING NON-LOCK	EA	1
20	52738	12 X 24 HATCH RING	EA	1
CABINET ASSEMBLY				
*	65912-D-012	DINETTE DOOR ASSEMBLY	EA	2
*	60176	HINGE-SEMI CONCEALED	EA	4
*	65320	KNOB CHROME/CHROME	EA	2
*	6199	NYLATCH ROLL CATCH W/STRIKER	EA	2
*	NOT SHOWN			
SEE DRAWINGS ON FOLLOWING PAGE.				

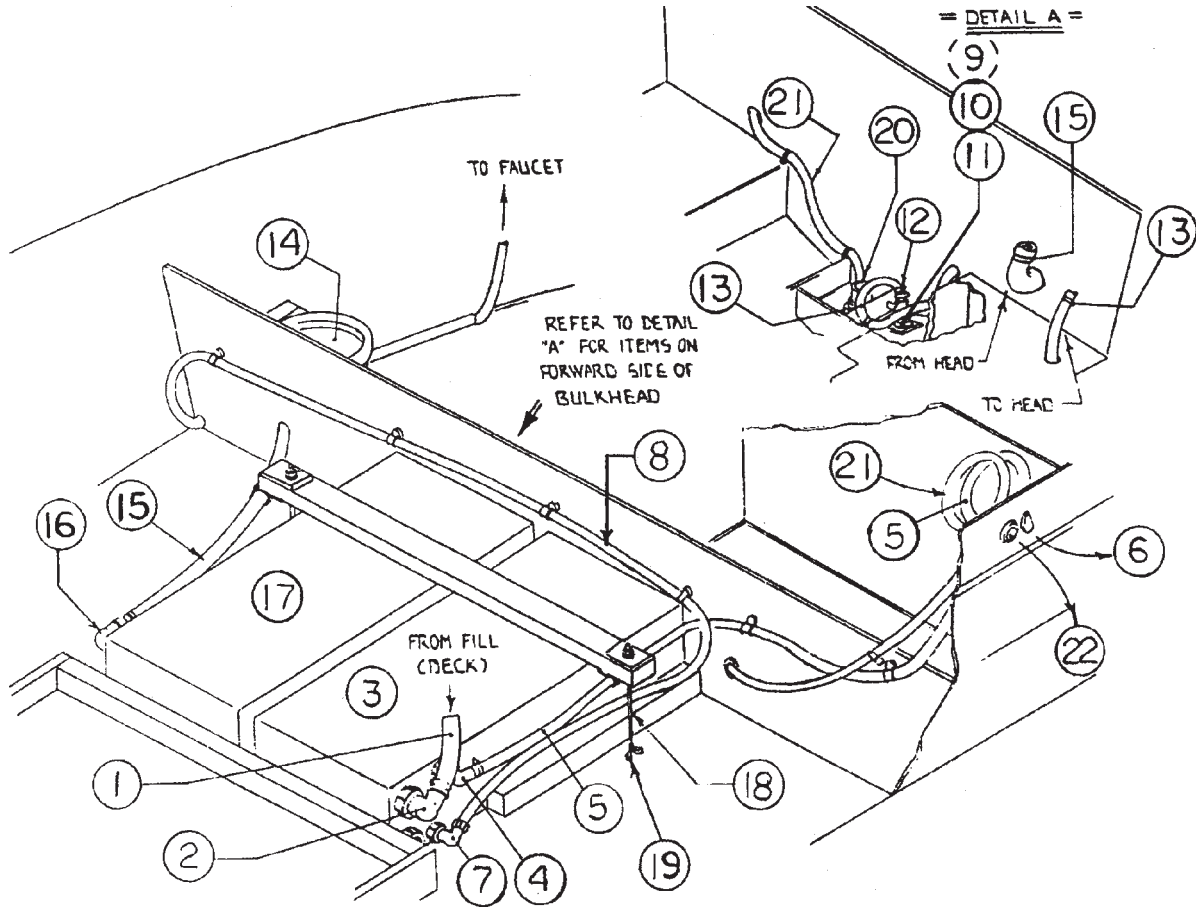


CD9613B

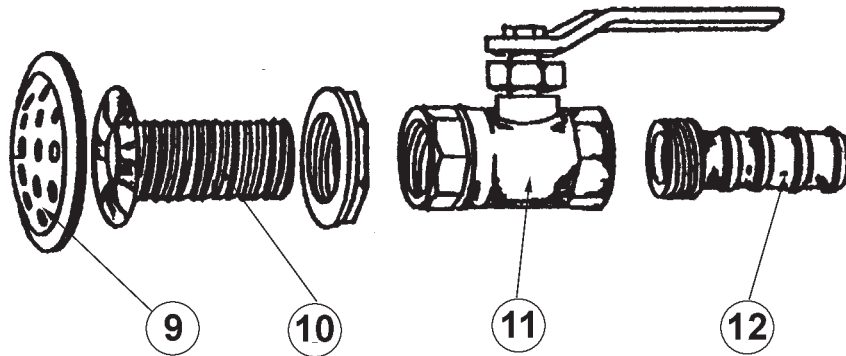


CD9613C

ITEM NO.	PART NUMBER	PART DESCRIPTION	U/M	QTY.
FRESH WATER SYSTEM				
*	11993	WATER FILL CHROME BRASS	EA	1
1	1300	DRAIN HOSE 1.5" WHITE VINYL	FT	11
2	13192	1.5" 90D NYLON MALE ADAPTER	EA	1
3	52647	20 GAL WATER/HOLDING TANK	EA	1
4	4P-MP-IN9E	1/2 90D PL IN M ADP	EA	1
5	1271	VENT HOSE 9/16" CLEAR	FT	10
6	1703	TANK VENT	EA	1
7	1398	1/2 ELBOW	EA	1
*	1302	1/2"X3/8" NUT/RING/CONE	ST	2
8	1301	3/8" ID POLY TUBING	FT	16
*	1392	HAND PUMP	EA	1
*	62961	POTABLE WATER WARNING LABEL	EA	1
MARINE HEAD SYSTEM-AFT				
9	57223	3" SEA STRAINER	EA	1
10	14486	3/4" BRZN THRUHULL CONN	EA	1
11	62445	BALL VALVE-3/4" -W/GND SCREW	EA	1
*	13229	HEAD PICK-UP LABEL	EA	1
12	31229	3/4" BRBX3/4" MIPT W/1.5" BARB	EA	1
13	1115	SFTWL H2O HOSE 3/4"	FT	4
14	1394	MARINE HEAD, RIGHT HAND	EA	1
*	1621	1/4 FLAT WASHER SS	EA	4
15	13706	1-1/2" SANITATION HOSE	FT	5
16	13192	1.5" 90D NYLON MALE ADAPTER	EA	1
17	52647	20 GAL HOLDING TANK	EA	1
18	562	1/4X10 J BOLT	EA	2
19	2816-1	CHROME EYE STRAP	EA	2
*	4P-MP-IN9E	1/2 90D PL IN M ADP	EA	1
*	1271	HOSE, WATER, 9/16" CLEAR	FT	8
*	1703	TANK VENT	EA	1
*	13190-A	1.5" NYLON STRAIGHT ML ADPT	EA	1
*	13706	1-1/2" SANITATION HOSE	FT	8
*	11995	DECK WASTE FITTING BRASS	EA	1
*	13192	1.5" 90D NYLON MALE ADAPTER	EA	1
*	13706	1-1/2" SANITATION HOSE	FT	2
*	4278-A	MACERATOR PUMP W/BARB	EA	1
*	58927	ADAPTER FEMALE, 1.5" 90D NYLON	EA	1
*	12791	1" SANITATION HOSE	RL	10
*	6637	THRU HULL PLAS 1"	EA	1
*	562	1/4X10 J BOLT	EA	2
*	2816-1	CHROME EYE STRAP	EA	2
MIDSHIP BILGE PUMP SYS				
20	61039	500 GPH BILGE	EA	1
21	55609	HOSE-3/4" BILGE	FT	8
22	708	THRU HULL PLAS 3/4"	EA	1
* NOT SHOWN				
DRAWING ON FOLLOWING PAGE.				



CD9614A



DETAIL A

CD9614B

ITEM NO.	PART NUMBER	PART DESCRIPTION	U/M	QTY.
		BILGE PUMP SYSTEM - AFT		
*	60249	FLOAT SWITCH	EA	1
*	61165	BILGE PUMP 1000 GPH	EA	1
*	55609	HOSE,BILGE,3/4"	FT	9
*	708	THRU HULL,PLASTIC 3/4"	EA	1
		SINK DRAIN SYSTEM		
*	6272	SINK SINGLE W/RIM	EA	1
*	57543	2" S/S SINK STRAINER	EA	1
*	4790-E	DRAIN ELBOW ONLY	EA	1
*	57544	DRAIN SLIP NUT	EA	1
*	57545	DRAIN WASHER	EA	1
*	1272	HOSE-3/4" ID X 1" OD	FT	1
*	708	THRU HULL PLAS 3/4"	EA	1
		DECK DRAIN SYSTEM		
*	709	THRUHULL PLAS 1.5"	EA	4
*	1300	DRAIN HOSE 1.5" WHITE VINYL	FT	4
*	11394	T-HULL FITTING,1.5"W/SCUPPER	EA	4
		FISH WELL DRAIN SYSTEM		
*	39405	DRAIN FITTING 1-1/8 X 1-1/2	EA	1
*	35970	ELBOW 1 1/8" 90 DEG	EA	1
*	1691	HOSE,BILGE,1 1/8"-	FT	4
*	8562	THRU HULL,PLASTIC 1 1/8"	EA	1
*	NOT SHOWN			

2452 CD 1997

MANUFACTURING SUPPLIES
SECTION 15



ITEM NO.	PART NUMBER	PART DESCRIPTION	U/M	QTY.
*	65494	MANUALS -PLEASE ORDER FROM CUSTOMER SERVICE-(360)435-8957 OWNERSMANUAL-CIERACRUISER	EA	1
*	NOT SHOWN			

ITEM NO.	PART NUMBER	PART DESCRIPTION	U/M	QTY.
DOCKSIDE PAC OPTION (OR3)				
BOAT ELEC WIRING				
*	D56303	PANEL ASSY, DOCKSIDE, 110V/60HZ	EA	1
CIRCUIT BREAKER PANEL				
*	2883	5/8" DOMED HOLE PLUG	EA	2
*	10740	5 AMP BRKR RED HNDL	EA	1
*	10742	15 AMP BRKR RED HNDL	EA	2
*	10743	20 AMP BRKR RED HNDL	EA	1
*	10823	30 AMP DBL POLE BRKR-RED	EA	1
*	11520	2 AMP BREAKER-RED	EA	1
*	11521	POLARITY LIGHT	EA	1
*	11527	BUSS BAR 3 1/2" 5 HOLE	EA	1
*	12869	RIVET BLACK D3001410604 .144-.154	EA	4
*	33732	BUSS BAR ASSY 20 PRONG	EA	1
*	56303	PANEL, BLANK, SHORE POWER	EA	1
*	56639	6-32 X 1/4 PPH MACHINE SCREW-STAI	EA	14
*	56638	6-32 X 1/2 PPH MACHINE SCREW-STAI	EA	2
*	11533	6-32 HEX NUT	EA	2
*	10994	8 X 3/4 PPH BLK OX/SS	EA	4
*	1316	16-14 GA #10 RING-LP	EA	6
*	61875	HARNESS, DOCKSIDE, MICROWAVE	EA	1
HULL INT ASSY HARDWARE				
*	64502	MICROWAVE .5CF WHITE	EA	1
*	59492	REFRIGERATOR 110V (DE 351) WS 1787	EA	1
*	CD1050111.01	REFER FACE INSERT-#65912-V ANT. WHT. GLOSS	EA	1
*	60784	STRAIN RELIEF FITTING	EA	1
*	36192	LOCK NUT F/36000	EA	1
*	51628	WALL BOX F/GFI (FIBRE)	EA	1
*	10846	ALCOHOL ELECTRIC STOVE GLASSTOP	EA	1
HULL INT LABELS				
*	39057	HOT WATER WARNING LABEL	EA	1
ELECTRICAL HARDWARE				
*	61543	10 AMP 110VOLT BATTERY CHARGER	EA	1
*	60597	ZINC SAVER 30 AMP	EA	1
*	4685	12-10 GA 1/4" RING	EA	1
*	274	POWER INLET 30AMP	EA	1
*	275	CORD W/RING 50'(30 AMP)	EA	1
*	1704	DUPLEX RECEPTACLE	EA	2
*	1713	COVER PLATE	EA	2
*	7090	WALL BOX	EA	2
*	51512	GROUND FAULT RECEPTACLE	EA	1
*	9015	COVER PLATE F/GFR	EA	1
*	51628	WALL BOX F/GFI (FIBRE)	EA	1
*	7090	WALL BOX	EA	1
*	232	BLANK PLATE	EA	1
*	10742	15 AMP BRKR RED HNDL	EA	1
*	56639	6-32 X 1/4 PPH MACHINE SCREW-STAIN.	EA	2
DOCKSIDE PAC (OR3) Continued on the next page...				
*	NOT SHOWN			

ITEM NO.	PART NUMBER	PART DESCRIPTION	U/M	QTY.
DOCKSIDE PAC (OR3) Continued from page 29...				
FRESH WATER SYSTEM				
*	39974	FRESHWATER PUMP W/FILTER	EA	1
*	7330	BACKING PLATE-ALUM SWITCH	EA	1
*	1179	WATER PUMP LABEL	EA	1
*	2000	ILUM ROCKER SWITCH	EA	1
*	10994	8 X 3/4 PPH BLK OX/SS	EA	2
*	31078	CHROME BAR FAUCET	EA	1
*	64705	TRANSOM SHOWER, WHITE (50118-A)	EA	1
*	50914	1/2" FL X 1/2" FPT W/NUT 90DEG ELBOW	EA	2
*	54379	HEATER WATER 6 GAL FWC/P	EA	1
*	70156	H2O PE HOSE, 5/8" BLUE STRIPE	FT	31
*	70157	H2O PE HOSE, 5/8" RED STRIPE	FT	33
*	1307	1/2" CHECK VALVE	EA	1
*	1305	1/2" COUPLING	EA	1
*	1399	1/2" FEMALE COUPLING	EA	1
*	50912	1/2" FL X 1/2" MPT 90DEG ELBOW	EA	3
*	51896	1/2" FL X 1/2" FPT ADAPTER	EA	3
*	52124	1/2" FL X 1/2" MPT ADAPTER	EA	2
*	50915	1/2 X 1/2 X 1/2 FL TEE	EA	5
*	51074	1/2" DRAIN CAP	EA	2
*	52123	1/2" FL X 1/2" FPT 90DEG ELBOW	EA	1
*	50911	1/2" FL X 1/2" FL 90DEG ELBOW	EA	4
*	53012	1/2" FL X GARDEN HOSE ADAPTER	EA	1
GALLEY ASSEMBLY				
*	55904	11/16 T-TRIM, DRM WHT	FT	1
*	CD1050101.26	DOCKSIDE PANEL FACE	EA	1
*	CD1050101.27	DOCKSIDE PANEL END	EA	1
*	CD1050101.29	GALLEY TOP	EA	1
*	CD1050101.30	GALLEY FACE	EA	1
*	CD1050101.33	REFER VENT	EA	1
*	CD1050103.38	SHELF	EA	1
*	65912-D-014	8.25 X 20.25 ANTIQUE WHT DOOR	EA	1
*	65912	LAMP LY, 5/8" 932 ANTIQUE WHT GLOSS	SF	2
*	65912-T	EDGE BAND, 7/8" 932 ANTIQUE WHT GLO	FT	3
*	60176	HINGE, SEMI CONCEALED UN100 WAS 8152	PR	2
*	65320	KNOB, CHROME/CHROME, CIERA	EA	1
*	6199	NYLATCH ROLL CATCH W/STKR	EA	1
MISC WOOD SHOP ASSY'S				
*	CD2310114.01	ASSY WIRE COVER, BD	EA	1
*	55904	11/16 T-TRIM, DRM WHT	FT	3
*	CD1050111.01	REFER FACE	EA	1
*	NOT SHOWN			

ITEM NO.	PART NUMBER	PART DESCRIPTION	U/M	QTY.
		220V/50HZ ELECTRICAL CONVERSION (OVA)		
		BOAT ELEC WIRING		
*	E56303	PANEL ASSY, DOCKSIDE, 220V/50HZ	EA	1
		CIRCUIT BREAKER PANEL		
*	2883	5/8" DOMED HOLE PLUG	EA	2
*	10740	5 AMP BRKR RED HNDL	EA	1
*	10741	10 AMP BRKR RED HNDL	EA	3
*	11520	2 AMP BREAKER-RED	EA	1
*	34838	POLARITY LIGHT-250VOLT AC	EA	1
*	11527	BUSS BAR 3 1/2" 5 HOLE	EA	1
*	12869	RIVET BLACK D3001410604 .144-.154	EA	4
*	33732	BUSS BAR ASSY 20 PRONG	EA	1
*	35398	15 AMP DBL POLE BRKR RED	EA	1
*	56303	PANEL, BLANK, SHORE POWER	EA	1
*	56639	6-32 X 1/4 PPH MACHINE SCREW-STAI	EA	14
*	57002	LABEL, 220 VAC, 50 HZ, EXPORT	EA	1
*	56638	6-32 X 1/2 PPH MACHINE SCREW-STAI	EA	2
*	11533	6-32 HEX NUT	EA	2
		HULL INT ASSY HARDWARE		
*	59493	REFRIGERATOR 220V (EV351) WS 34859	EA	1
*	34864	A/E STOVE GLASS TOP 220/50HV	EA	1
*	64384	MICROWAVE 220V (WHITE)	EA	1
		ELECTRICAL HARDWARE		
*	34865	POWER INLET 16AMP 220V/50H	EA	1
*	34866	CORD W/RING 50' 16AMP 220V/50HZ	EA	1
*	232	BLANK PLATE	EA	2
*	61544	10 AMP 220VOLT BATTERY CHARGER	EA	1
*	7090	WALL BOX	EA	1
*	232	BLANK PLATE	EA	1
*	10741	10 AMP BRKR RED HNDL	EA	1
		FRESH WATER SYSTEM		
*	54472	HEATER WATER 6 GAL 220V	EA	1
		DECK TAPES & LABELS		
*	35034	LABEL 220 VAC 50HZ EXPORT	EA	1
*	NOT SHOWN			

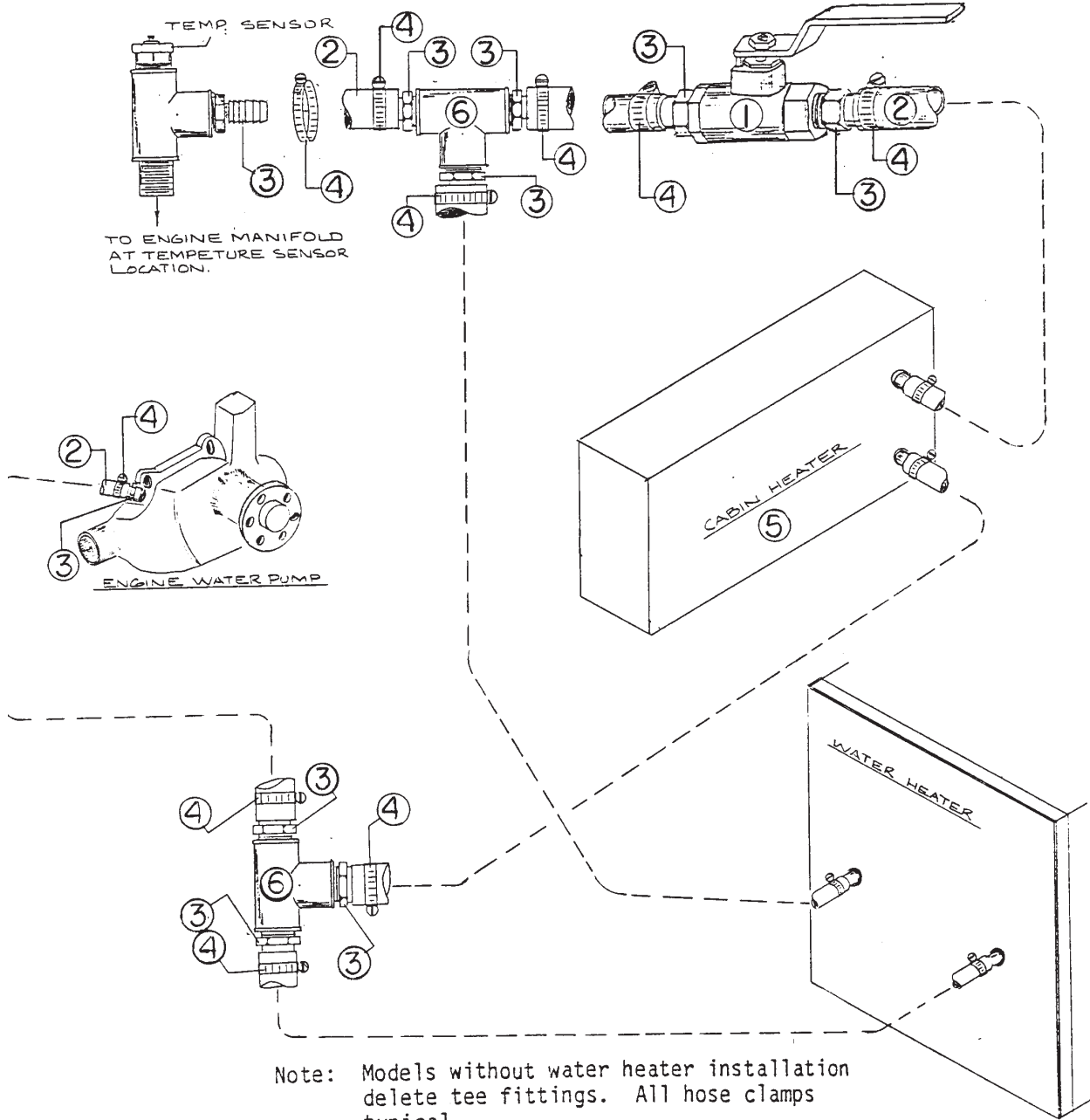
ITEM NO.	PART NUMBER	PART DESCRIPTION	U/M	QTY.
EURO EQUIPMENT OPTION (OYB)				
ENGINE FUEL SYSTEM				
*	64966	FUELLINE,3/8,ISO/CG	FT	2
*	64969	HOSE,FUEL VENT,5/8,ISO/CG	FT	8
*	64970	HOSE,FUEL,1 1/2,ISO/CG 35#/EA,	FT	7
ELECTRICAL HARDWARE				
*	65012	SWITCH,BATTERY SHUTOFF	EA	1
*	1621	1/4 FLAT WASHER SS	EA	2
BILGE PUMP SYSTEM - AFT				
*	619	1" HARDWALL WATER HOSE	FT	7
*	67677	MANUAL BILGE PUMP W/STRUMBOX	EA	1
*	619	1" HARDWALL WATER HOSE	FT	3
*	6637	THRU HULL PLAS 1"	EA	1
DECK HARDWARE				
*	64973	FIRE PORT,EXTINGUISHER, WHITE	EA	1
DECK TAPES & LABELS				
*	65619	BUILDERS PLATE/CAPACITY LBL,	EA	1
*	65749	LABEL,WARNING,FIRE PORT	EA	1
SPECIAL EDITION PACKAGE (OZI)				
BOAT ELEC WIRING				
*	66716	DASH/HARNESS,INSTRUMENT/SWITCH GAS	EA	1
*	66724	ENG/ACCY HARNESS 2452CD	EA	1
FUSE BLOCK				
*	31265	5 AMP FUSE #P-3087	EA	3
*	31266	7.5 AMP FUSE #P-3087	EA	2
*	31267	10 AMP FUSE #P-3087	EA	11
*	31268	15 AMP FUSE #P-3087	EA	1
*	31269	20 AMP FUSE #P-3087	EA	1
*	52096	18 PLACE FUSEBLOCK	EA	1
*	55891	2"LCD,DEPTH SOUND-XAP6-16TRNSD,BL	EA	1
*	55889	12 VOLT ADAPTOR	EA	1
GAUGE PANEL				
*	10893	SWITCH-SPST OFF-ON	EA	10
*	10894	SWITCH SPST-OFF(ON) (HORN)	EA	1
*	10896	SWITCH-SPDT ON-ON	EA	1
*	62860	SWITCH,INBD,I/O IGNITION	EA	1
*	66466	PANEL BLANK,97 MICA OZI,CD,SC	EA	1
*	66070	GAUGE,TACH,GAS(I/O&O/B)KRONOS BLA	EA	1
*	66073	GAUGE,SPEEDO,KRONOS BLACK	EA	1
*	66074	GAUGE,OIL PRESS,KRONOS BLACK	EA	1
*	66075	GAUGE,WATER TEMP,KRONOS BLACK	EA	1
*	66076	GAUGE,FUEL LEVEL,KRONOS BLACK	EA	1
*	66077	GAUGE,VOLTMETER,KRONOS BLACK	EA	1
MISC. WIRE ASSY				
*	66717	BACKCLAMP, 2"GAUGE, 2.1" LONG	EA	5
DECK TAPES & LABELS				
*	66155	LOGO,SE,BLUE	EA	2
SPECIAL EDITION OPT. (OZI) Continued on the next page...				
*	NOT SHOWN			

ITEM NO.	PART NUMBER	PART DESCRIPTION	U/M	QTY.
SPECIAL EDITION OPT. (OZI) Continued from page 32...				
COMMUNICATION EQUIPMENT				
*	63321	ANTENNA 8' VHF	EA	1
*	315-1	CLAM SHELLS MIDGET	EA	1
*	62452	VHF RADIO-ECLIPSE T	EA	1
*	62453	FLUSH MOUNT KIT F/VHF	EA	1
*	9683	RATCHET MOUNT FOR ANTENNA OPT PART	EA	1
*	1621	1/4 FLAT WASHER SS	EA	4
*	32400	BLACK PLASTIC CLIP F/ANTENNA	EA	1
REMOVEABLE CARPET RUNNERS				
*	68272	CARPET RUNNER KIT CD 97	EA	1
*	57981	CARPET- MICA II	LY	2
*	61373	CARPET BINDING #910 ,3/4"	LY	15
*	81	X2-10128 DUR FAS BUT	EA	23
*	82	XB-10224 DUR FAS SKT	EA	23
*	11563	SMALL BASE CANVAS STUD	EA	23
110V AIR COND PAC-7000BTU COOL ONLY (O2F)				
BOAT ELEC WIRING				
*	70737	HARNES,DOCKSIDE AIR COND. 2452CD	EA	1
*	70755	HARNES,BONDING/GROUNDING AC OPT.	EA	1
BATTERY CABLES				
*	59907	8GA GREEN YELLOW	FT	12
*	D54683	PANEL ASSY, DUAL DOCKSIDE	EA	1
CIRCUIT BREAKER PANEL				
*	2883	5/8" DOMED HOLE PLUG	EA	2
*	10740	5 AMP BRKR RED HNDL	EA	1
*	10742	15 AMP BRKR RED HNDL	EA	2
*	10743	20 AMP BRKR RED HNDL	EA	1
*	10823	30 AMP DBL POLE BRKR-RED	EA	2
*	11520	2 AMP BREAKER-RED	EA	1
*	11521	POLARITY LIGHT	EA	2
*	54423	VOLTMETER SWITCH-2P3T	EA	1
*	11527	BUSS BAR 3 1/2" 5 HOLE	EA	1
*	11531	6-32 X 1/4 PPH BLACK OX/SS	EA	20
*	11532	#6-32X1/2 PPH BLK OX/SS	EA	8
*	11533	6-32 HEX NUT	EA	4
*	12869	RIVET BLACK D3001410604 .144-.154	EA	4
*	13728	0-150 AC VOLTMETER	EA	1
*	33732	BUSS BAR ASSY 20 PRONG	EA	2
*	54683	BLANK,PANEL,AC,W/O GEN	EA	1
*	10744	25 AMP BRKR RED HNDL	EA	1
*	10742	15 AMP BRKR RED HNDL	EA	1
*	56639	6-32 X 1/4 PPH MACHINE SCREW-STAIN.	EA	2
110V AIR COND PAC- (O2F) Continued on the next page...				
*	NOT SHOWN			

ITEM NO.	PART NUMBER	PART DESCRIPTION	U/M	QTY.
110V AIR COND OPT (O2F) Continued from page 23...				
AIR CONDITIONING				
*	65 #5	3/4" HIGH SPEED PICKUP	EA	1
*	2402	8 X 1 PFH SILICON BRONZE	EA	4
*	62445	BALL VALVE, 3/4", W/GND SCREW	EA	1
*	51065	3/4BRB X 3/4MIPT 90DEG BRONZE ADPTR	EA	1
*	8893	3/4" HOSE HARDWALL WATER	FT	2
*	31229	3/4" BRBX3/4"MIPT W/1.5" BARB	EA	2
*	54235	SEA WATER STRAINER	EA	1
*	54235	SEA WATER STRAINER	EA	1
*	1114	HOSE, WATER 5/8" SOFTWALL	FT	28
*	13228	AIR COND. WATER PICK-UP LABEL	EA	1
*	70105	7000BTU AIR-COOL ONLY-230V	KT	1
*	70175	4"X5' FLEXDUCT KIT W/COUPLER	KT	1
*	706	ST THRU HULL 5/8"	EA	1
ELECTRICAL HARDWARE				
*	60597	ZINC SAVER 30 AMP	EA	1
*	34865	POWER INLET 16AMP 220V/50H	EA	1
*	13254	LINE 1 LABEL	EA	1
*	13255	LINE 2 LABEL	EA	1
*	34866	CORD W/RING 50'16AMP 220V/50HZ	EA	1
*	7090	WALL BOX	EA	1
*	232	BLANK PLATE	EA	1
GALLEY ASSEMBLY				
*	CD1170401.01	I/B FACE A/C CLOSEOUT	EA	1
*	CD1170401.02	AFT FACE A/C CLOSEOUT	EA	1
*	CD1050101.49	GALLEY TO A/C OPTION	EA	1
MISC WOOD SHOP ASSY'S				
*	CD1170105	A/C UNIT SHEF	EA	1
*	NOT SHOWN			

ITEM NO.	PART NUMBER	PART DESCRIPTION	U/M	QTY.
OPTION:ELECTRIC WIPER,PORT				
*	53239	WIPERMOTOR	EA	1
*	1363-A	WIPER BLADE H/D STR.	EA	1
*	1364-A	WIPER ARM H/D 12.5"	EA	1
*	54057	SHIM FOR WIPERMOTOR 3/8" TO 1/4"	EA	1
OPTION:CABIN HEAT (FRESH WATER COOLING REQUIRED.)				
1	14790	1/2" BALL VALVE	EA	1
2	1114	SOFTWALL WATER HJOSE,5/8"	FT	1
3	1181-EC	MALE ADAPTER	EA	1
4	1532	HOSE CLAMP	EA	1
*	3667	HEATER SWITCH SPDT ON-OFF-ON	EA	1
*	3668	HEATER LABLE	EA	1
*	55949	HEATER, 2 FAN	EA	1
NOTE: ON MODELS WITH ELECTRIC WATER HEATER, ORDER ADDITIONAL PARTS BELOW.				
3	1181-EC	MALE ADAPTER	EA	1
4	1532	HOSE CLAMP, 1-3/8"	EA	1
6	4G-T	GALVANIZED TEE, 1/2"	EA	1
*	58552	HOUR METER	EA	1
*	38200-A	COMPASS	EA	1
*	245A96CR	MOORING COVER (STANDARD)	EA	1
*	245A96CRA	MOORING COVER (SUNBRELLA)-SPECIFY COLOR	EA	1
*	95CD4VS	SLANT BACK CURTAIN-SAND	EA	1
*	NOT SHOWN			

CABIN HEAT INSTALLATION W/WATER HEATER INSTALLED



CD9617

ITEM NO.	PART NUMBER	PART DESCRIPTION	U/M	QTY.
5.7L ALPHA I ENGINE OPTION(EK5)				
ENGINE SYSTEMS				
*	62234	5.7L A1 1.47 SD	EA	1
*	34197	16 X 16 PROP	EA	1
*	36315	3" RISER KIT ALPHA	EA	1
*	36617	RISER ELBOW 5.0/5.7	EA	1
*	13997	PERFECT SEAL #4 SEAL. COMP.	PT	1
SHIFTER & CONTROL CABLE				
*	61660	MERCUISER I/O SHIFTER	EA	1
*	33725	15' KM CONTROL CABLE	EA	1
*	33726	16' KM CONTROL CABLE /	EA	1
STEERING SYSTEM				
*	11948	15' (RX-4) STR CABLE	EA	1
5.7LX BII (EK7)				
ENGINE SYSTEMS				
*	62239	5.7LX B2 2.0 SD	EA	1
*	36315	6" RISER EXT. KIT BRAVO II	KT	1
*	36617	RISER ELBOW 5.0/5.7	EA	1
*	13997	PERFECT SEAL #4 SEAL. COMP.	PT	1
*		PROP NOT DEFINED	EA	1
SHIFTER & CONTROL CABLE				
*	61660	MERCUISER I/O SHIFTER (CLASSIC)	EA	1
*	33725	15' KM CONTROL CABLE 15/	EA	1
*	33726	16' KM CONTROL CABLE 15/	EA	1
*	11990	DOCKSIDE PANEL COVER (BLACK)	EA	1
*	58351	1" ACOUSTICAL FOAM W/PSA	FT	
STEERING SYSTEM				
*	11948	15' (RX-4) STR CABLE	EA	1
250 M EFI/A1 (5.7LX) 1.47:1 (EQ8)				
ENGINE SYSTEMS				
*	69919	250M EFI/A1 (5.7LX) 1.47:1	EA	1
*	36315	3" RISER KIT	EA	1
*	64560	5.7 EXHAUST ELBOW, 3"	EA	2
*	13997	PERFECT SEAL #4 SEAL. COMP.	PT	1
*	32558	15 X 17 PROP-MERC I/O	EA	1
SHIFTER & CONTROL CABLE				
*	61660	MERCUISER I/O SHIFTER (CLASSIC)	EA	1
*	71046	15' MERC CABLE W/33725	EA	1
*	71047	16' MERC CABLE W/33726	EA	1
*	11990	DOCKSIDE PANEL COVER (BLACK)	EA	1
*	58351	1" ACOUSTICAL FOAM W/P	FT	
STEERING SYSTEM				
*	11948	15' (RX-4) STR CABLE	EA	1
*	NOT SHOWN			