



Tailgate Finish Panel | DOOR PANELS
See page 101 for details. **Original Ford Tooling - pg. 92**



1967-79

TRUCK

WEATHER STRIPPING • SHEET METAL • MOLDED RUBBER & PLASTICS • TRIM PARTS
Feb. 2013



HUGE INVENTORY



*#1 Ford Licensed Manufacturer
of Restoration Ford Parts*

TRIM PARTS MOLDED PLASTICS

- Side Moldings
- Scuff Plates
- Taillight Lenses
- Dash Knobs

WEATHERSTRIPPING DIE CAST

- Windows Seals
- Trunk Seals
- Door Handles
- Emblems

HUB CAPS - FULL

PART #	PIC	DESCRIPTION	MODEL	YEAR	PRICE
C7TZ-1130-H	(A)	- 15" Front - Stainless Steel - Open center, for 4WD - w/ plastic center ring	F100/150	67-77	95.00 ea.
C6AZ-1130-G	(B)	- individual	F100/150	66-69	95.00 ea.
C6AZ-1130-SET	(B)	- set of (4)	F100/150	66-69	380.00 set
D5TZ-1130-A	(C)	Hub Cap - 2 W/D - Metal & Plastic	F100/150	71-76	150.00 ea.
D5TZ-1130-P	(D)	- Plastic Cover Only w/screws - fits 77-86 F100/150 2WD	F100/150	71-76	80.00 ea.
D6TZ-1130-A	(E)	- 15 1/8" Dia. - Ford crest in center - embossed "FORD"	F100/150	76-78	65.00 ea.



A



B



E



C



D

HUB CAPS

PART #	PIC	DESCRIPTION	MODEL	YEAR	PRICE
D7TZ-1130-A	(F)	- 10 13/16" - 2 W/D - Front & Rear - 4 W/D - Rear	F100/150	78-79	50.00 ea.



F

HUB CAP EMBLEMS

PART #	PIC	DESCRIPTION	MODEL	YEAR	PRICE
C6AZ-1141-A	(G)	- Red Plastic - for C6AZ-1130-G	F100/150	66-77	40.00 ea.
D1AZ-1141-A	(H)	- Black Plastic w/ Silver & Gold Crown	F100	71-75	40.00 ea.
C7TZ-1141-H	(I)	- 4WD - Front - Red - For C7TZ-1130-H - comes with Hub Cap	F100	67-72	40.00 ea.
D5TZ-1141-A	(J)	- Silver w/ Black Letters - For D5TZ-1130-A	F100/350	71-76	20.00 ea.



G

H

I

WHEEL & HUB

HUB DUST CAPS

PART #	PIC	DESCRIPTION	MODEL	YEAR	PRICE
<u>Front Hub Dust Cap</u>					
B5A-1131-A		- 1-25/32" O.D.	F100	67-68	5.00 ea.
LF-1131-A	(A)	- 1-31/32" O.D.	F100	68-79	3.50 ea.
LF-1131-A	(A)	- 1-31/32" O.D.	F250	65-79	3.50 ea.



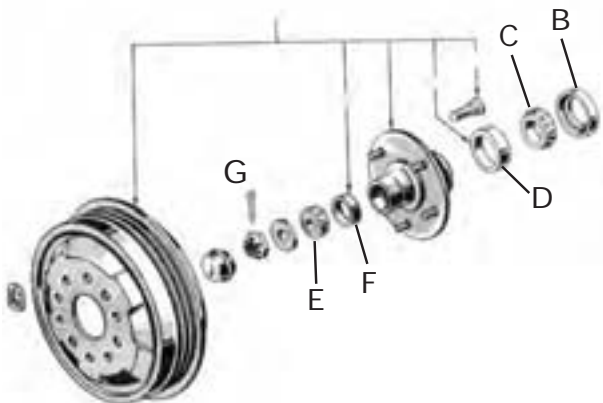
A

FRONT WHEEL SEALS

PART #	PIC	DESCRIPTION	MODEL	YEAR	PRICE
<u>Front Brake Rotor Seal</u>					
C7TZ-1190-D	(B)	- Disc Brake	F100	67-72	10.00 ea.
D3TZ-1190-A		- Disc Brake	F100/150	73-79	10.00 ea.

FRONT WHEEL BEARING & RACES

PART #	PIC	DESCRIPTION	MODEL	YEAR	PRICE
<u>Wheel Bearing - Inner</u>					
B7C-1201-A	(C)	- Drum Brakes - 2WD	F100	67-72	10.00 ea.
D0AZ-1201	(C)	- Disc Brakes - 2WD	F100/150	73-79	12.50 ea.
B7A-4221-B		- Disc Brakes - 4WD	F150	76-79	10.00 ea.
<u>Wheel Bearing Race - Inner</u>					
B7C-1202-A		- Drum Brakes - 2WD	F100	67-72	8.00 ea.
D0AZ-1202	(D)	- Disc Brakes - 2WD	F100/150	73-79	6.00 ea.
B7A-4222-B		- Disc Brakes - 4WD	F150	76-79	7.00 ea.
<u>Wheel Bearing - Outer</u>					
B5A-1216		- Drum Brakes - 2WD	F100	67	9.50 ea.
C3SZ-1216		- Drum Brakes - 2WD	F100	68-72	8.25 ea.
D0AZ-1216	(E)	- Disc Brakes - 2WD	F100/150	73-79	12.50 ea.
B7A-4221-A		- Disc Brakes - 4WD	F150	76-79	10.00 ea.
<u>Wheel Bearing Race - Outer</u>					
B5A-1217		- Drum Brake - 2WD	F100	67	8.00 ea.
C3SZ-1217	(E)	- Drum Brake - 2WD	F100	68-72	5.00 ea.
D0AZ-1217	(F)	- Disc Brake - 2WD	F100/150	73-79	4.50 ea.
B7A-4222-A		- Disc Brake - 4WD	F150	76-79	6.00 ea.
<u>Inner Bearing & Race Set</u>					
B7C-1203-S		Includes (1) B7C-1201-A (1) B7C-1202-A	F100	67-72	14.00 ea.
<u>Outer Wheel Bearing Adjustment Nut</u>					
D8TZ-1197-B			F150	78-79	5.00 ea.



FRONT HUB & ROTOR

PART #	PIC	DESCRIPTION	MODEL	YEAR	PRICE
C8TZ-1102-A		<u>Front Disc Brake Hub & Rotor - 4 x 2</u>	F250	68-75	110.00 ea.
D6TZ-1102-C		<u>Front Disc Brake Hub and Rotor Assembly</u> - Dayton Brake System - w/ 2 wheel drive - w/ single rear wheels	F350	76-79	80.00 ea.

FRONT WHEEL COTTER PIN

PART #	PIC	DESCRIPTION	MODEL	YEAR	PRICE
72054-S	(G)	<u>Cotter Pin For Front Wheel</u>	F100/150	67-79	0.25 ea.

VALVE STEM EXTENSION

PART #	PIC	DESCRIPTION	YEAR	PRICE
8A-1705	(H)	Plastic Valve Stem Extension -3/4" Long, Set of (4)	ALL	1.00 set



H

HUB BOLTS & LUG NUTS

PART #	PIC	DESCRIPTION	MODEL	YEAR	PRICE
D3TZ-1107-A		<u>Front Hub Bolt Stud</u> - RH Thread - 1/2" x 20 x 1 13/16"	F100/150	73-79	7.00 ea.
A9AZ-1107-B	(I)	<u>Rear Hub Bolt Stud</u> - 1/2" x 20 x 1 5/8"	ALL	66-75	3.00 ea.
B-1012	(J)	<u>Lug Nut for plain wheels</u>	ALL	66-79	0.50 ea.



I



J

LUG NUT PROTECTORS - Plastic

PART #	PIC	DESCRIPTION	YEAR	PRICE
P-1012		<u>Wheel Nut Protectors</u> To be used inside socket to protect chrome lug nuts Includes: (1) for 3/4" lug nut (1) for 13/16" lug nut	ALL	5.00 pr.



LOCKING HUB PARTS

PART #	PIC	DESCRIPTION	MODEL	YEAR	PRICE
		<u>Lockout Hub Actuating Knob - (4x4) - Red Plastic</u>			
D2TZ-1A029-A	(K)	- for Dana/Spicer Axle	F250	71-77	12.00 ea.
C8TZ-1A029-A	(L)	- for Ford Axle	F100/350	68-72	10.00 ea.
D9TZ-1K106-A	(M)	<u>Manual Locking Hub Repair Kit - does 2 Hubs</u>	F150-350	79-91	50.00 kit



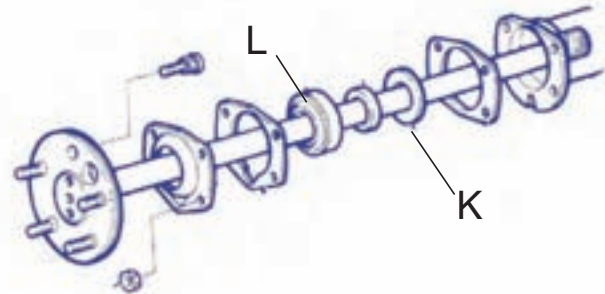
RING GEAR & PINION SET

PART #	PIC	DESCRIPTION	MODEL	YEAR	PRICE
B8AZ-4209-C	(N)	<u>Differential Ring Gear and Pinion Set - 3.25 Ratio</u> - 9" Ford Rear End	F100/150	64-79	300.00 set



REAR AXLE SEALS

PART #	PIC	DESCRIPTION	MODEL	YEAR	PRICE
B7A-1177-A		<u>Rear Axle Seal</u> - 1-1/2" I.D. - 2-1/2" O.D.	F100	67-68	5.00 ea.
C9VY-1177-A	(K)	<u>Rear Axle Seal - 3.6m axle</u> - 1-19/32" I.D. x 2-1/2" O.D.	F100/150	70-74	15.00 ea.
C9AZ-1177-A	(K)	<u>Rear Axle Seal - 3.3m axle</u> - 1-1/2" I.D. x 2-1/2" O.D. - Ball Bearing	F100/150	69-79	8.00 ea.
D4AZ-1177-A	(K)	<u>Rear Axle Seal</u> - 1-55/64" I.D. x 3-9/64" O.D. - Roller Bearing	F100/150	74-79	15.00 ea.

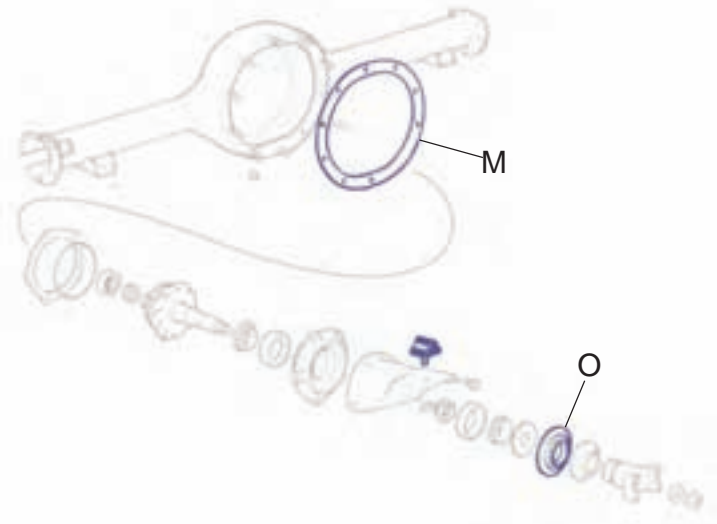


REAR AXLE BEARINGS

PART #	PIC	DESCRIPTION	MODEL	YEAR	PRICE
8M-1225-B	(L)	<u>Rear Axle Bearing 3.3m axle</u> - 3-9/64" O. D. x 1-17/32" I.D. x 1-5/64" Thick	F100/150	67-79	45.00 ea.
D0TZ-1225-A	(L)	<u>Rear Axle Bearing- 3.6m axle</u> - 3-9/64" O.D. x 1-5/8" I.D. x 1-5/64" Thick	F100	70-73	50.00 ea.
D4AZ-1225-A	(L)	<u>Rear Axle Bearing</u> - 3-5/32" O.D. x 1-9/16" I.D. x 25/32" Thick	F100/150	74-79	39.50 ea.

REAR DIFFERENTIAL HOUSING PARTS

PART #	PIC	DESCRIPTION	MODEL	YEAR	PRICE
B7A-4035	(M)	<u>Differential Housing Gasket</u> - 9" Ford Rear End	F100/150	73-79	8.00 ea.
B8A-4676-B	(O)	<u>Differential Pinion Seal</u> - 1 13/16 I.D. x 3" O.D. - 9" Ford Rear End	F100/150	64-79	14.00 ea.



MASTER CYLINDER ASSEMBLY

PART #	PIC	DESCRIPTION	MODEL	YEAR	PRICE
C7TZ-2140-K	(A)	Master Cylinder Assembly	F100	67	125.00 ea.
C8TZ-2140-C		Master Cylinder Assembly	F100	68-72	130.00 ea.
D3TZ-2140-C		Master Cylinder Assembly - w/o Power Brake - w/ Power Brake	F100/150 F100/150	73-79 73-76	105.00 ea.
D7TZ-2140-C	(B)	Master Cylinder Assembly - w/ Power Brake	F100/150	77-79	105.00 ea.



A



B

BRAKE SHOE & LINING SETS

PART #	PIC	DESCRIPTION	MODEL	YEAR	PRICE
Set does (1) axle					
10-2001		- 11" x 2" - Front / Rear	4 pcs.	67	50.00 set
265-2001	(E)	- 11" x 3" - Rear	4 pcs.	68-72	50.00 set
55-2201		- 11" x 1-3/4" - Front / Rear	4 pcs.	67	55.00 set
263-2001		- 11" x 2-1/4" - Rear	4 pcs.	68-79	50.00 set



E

DRUM BRAKE HARDWARE KIT

PART #	PIC	DESCRIPTION	MODEL	YEAR	PRICE
NOTE: Drum Brake Hardware Kit includes all of the hold down parts, adjusting screw springs and heavy duty return springs needed for (1) axle.					
Drum Brake Hardware Kit					
C4TZ-2065-S		- front or rear axle	F100	67	17.00 kit
C8TZ-2065-F		- front axle	F100	68-72	17.00 kit
C8TZ-2065-R	(F)	- rear axle	F100	68-79	17.00 kit
C8TZ-2065-F		- front axle	F100/750	73-79	17.00 kit
C8TZ-2065-R		- rear axle	F100/750	73-79	17.00 kit



F

MASTER CYLINDER REPAIR KITS

PART #	PIC	DESCRIPTION	MODEL	YEAR	PRICE
C7TZ-2004-B	-		F100	67	37.00 ea.
C8TZ-2004-C	-		F100	68	35.00 ea.
C9TZ-2004-A	(C)		F100	69-72	35.00 ea.
D3TZ-2004-C		- w/o Power Brake	F100/150	73-79	27.50 ea.
D3TZ-2004-B		- w/ Power Brake	F100/150	73-76	30.00 ea.
D7TZ-2004-B	(D)	- w/ Power Brake	F100/150	77-79	30.00 ea.



C



D

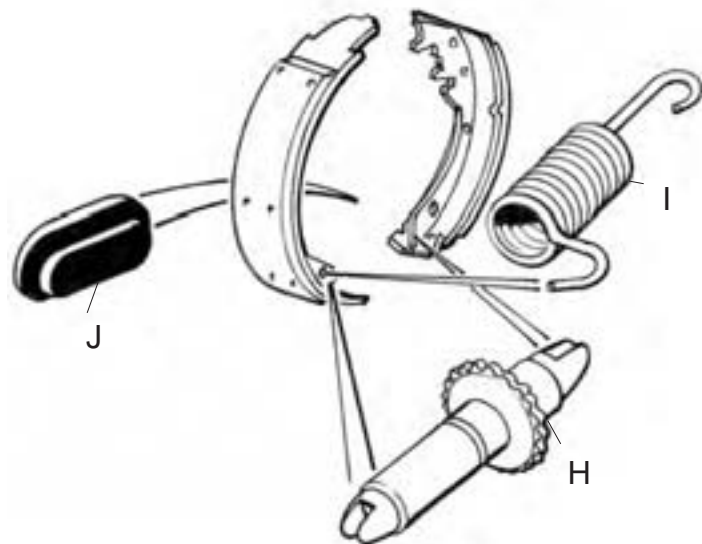
REAR BRAKE DRUM

PART #	PIC	DESCRIPTION	MODEL	YEAR	PRICE
C4TZ-1126		-11" x 1 3/4"	F100/150	66-75	150.00 ea.
D6TZ-1126-A	(G)	-11" x 2 1/4"	F100/150	76-79	90.00 ea.
D4TZ-1126-A		-11" x 2 1/4"	F100/150	73-75	90.00 ea.



MISC. BRAKE PARTS

PART #	PIC	DESCRIPTION	MODEL	YEAR	PRICE
C4TZ-2041-S	(H)	Star Wheel Adj. Screw Assy. - Left Rear - 11" Drum	F100/150	67-79	14.00 ea.
C1SS-2049	(I)	Rear Brake Adjusting Spring - For 1 Axle	F100/150	73-79	12.50 ea.
C1SS-2049		Brake Shoe Adjusting Screw Spring - front & rear - (1) per wheel	F100	64-72	12.50 ea.
COMM-2036-A		Rear Brake Retracting Spring - Primary - 1 per wheel	F100/150	67-79	4.00 ea.
COMM-2035-A		- Secondary - 1 per wheel	F100/150	67-79	4.00 ea.
8A-2092	(J)	Brake Adjusting Hole Cover - Rubber	F100/150	67-79	0.50 ea.



FRONT WHEEL CYLINDER ASSEMBLIES

PART #	PIC	DESCRIPTION	MODEL	YEAR	PRICE
C5TZ-2061	(K)	- Front - Right - 1-1/16"	F100	67	48.00 ea.
C5TZ-2062		- Front - Left - 1-1 / 1 6"	F100	67	48.00 ea.
C5TZ-2061-C		- Front - Right - 1-1/8"	F100	68-71	40.00 ea.
C5TZ-2062-C		- Front - Left - 1-1/8"	F100	68-71	40.00 ea.
C1TT-2262-A		- Front - Right - 1-1/8"	F100	72	38.00 ea.
C1TT-2261 -A		- Front - Left - 1-1/8"	F100	72	38.00 ea.

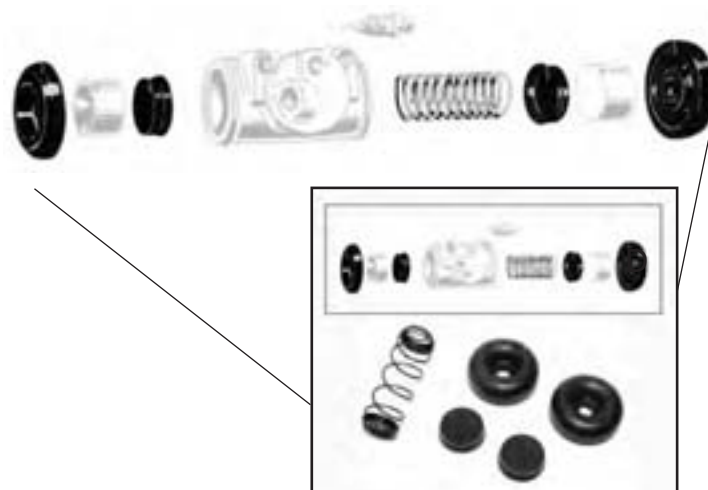


REAR WHEEL CYLINDERS ASSEMBLIES

PART #	PIC	DESCRIPTION	MODEL	YEAR	PRICE
C60Z-2261-A		- Right Side - 7/8"	F100	67-74	36.00 ea.
C60Z-2262-A		- Left Side - 7/8"	F100	67-74	36.00 ea.
C30Z-2261-A		- Right Side - 15/16"	F100/150	75-79	36.00 ea.
C30Z-2262-A		- Left Side - 15/16"	F100/150	75-79	36.00 ea.

WHEEL CYLINDER REPAIR KITS

PART #	PIC	DESCRIPTION	MODEL	YEAR	PRICE
1 KIT DOES 1 CYLINDER					
D3TZ-2128-A		- Front or Rear - 7/8"	F100	72	10.00 ea.
A8C-2221		- Front - 1-1/16"	F100	67	10.00 ea.
C8UZ-2221-A		- Front - 1-1/8"	F100	68-72	10.00 ea.
C60Z-2128-A		- Rear - 7/8"	F100	67-72	10.00 ea.
8A-2128		- Rear - 7/8"	F100	73-74	10.00 ea.
B2A-2128		- Rear - 15/16"	F100/150	75-79	10.00 ea.





STEEL BRAKE LINES - PRE BENT - 67-72

PART #	DESCRIPTION	YEAR	PRICE
Ready for Installation			
C7TZ-2269-F	Brake Lines - Front Axle - F100 - 4 pcs.	67-72	70.00 set
C7TZ-2269-C-LB	Brake Line - Center - F100 - 2 pc. - Front to Rear	67-72	50.00 ea.
C7TZ-2269-R	Brake Lines - Rear Axle - F100 - (2 pcs.)	67-72	32.00 ea.



STEEL BRAKE LINES - PRE BENT - 73-79

PART #	DESCRIPTION	YEAR	PRICE
Ready for Installation			
D3TZ-2269-F	Brake Lines - Front Axle - F100 - 4 pcs. - With power disc brakes	73-74	100.00 set
D5TZ-2269-F	Brake Lines - Front Axle - F100 - 2 pcs. - With power disc brakes	75-76	60.00 set
D7TZ-2269-F	Brake Lines - Front Axle - F100 - 2 pcs. - With power disc brakes	77-79	60.00 set
	Brake Line - Center - Front to Rear		
D3TZ-2269-C-SB	- F100 - Short Bed - 2 pc.	73-74	60.00 set
D3TZ-2269-C-LB	- F100 - Long Bed - 2 pc.	73-74	60.00 set
D3TZ-2269-C-LB	- F100 - Long Bed - 2 pc.	75-76	60.00 set
D7TZ-2269-C-LB	- F100 - Long Bed - 2 pc.	77-79	60.00 set
D3TZ-2269-R	Brake Lines - Rear Axle - F100 - 2WD - 2 pcs.	73-79	40.00 ea.

BRAKE HOSES

PART #	PIC	DESCRIPTION	MODEL	YEAR	PRICE
<i>FRONT</i>					
C5TZ-2078	(E)	- Front - 17 3/4" long - Disc Brake - Front	F100	67-71	36.00 ea.
D5TZ-2078-A		- RH - 19 1/2"	F100/150	73-79	32.00 ea.
D5TZ-2078-G		- LH - 19 1/2"	F100/150	73-79	32.00 ea.
<i>REAR</i>					
C5TZ-2282		- Rear - 18 5/8"	F100	66-72	46.00 ea.
D5TZ-2282-H		- Drum Brake -Rear - RH or LH - 21 3/4"	F100/150	73-75	40.00 ea.
D8TZ-2282-C		- RH or LH - 23"	F100/150	76-79	29.00 ea.



E

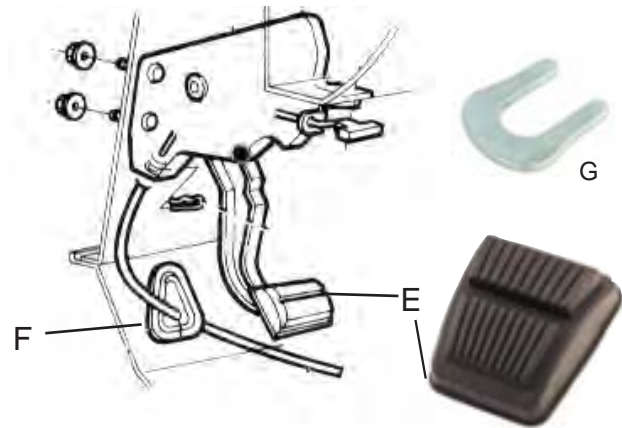
CLUTCH & BRAKE PEDAL PARTS

PART #	PIC	DESCRIPTION	MODEL	YEAR	PRICE
B7A-2457-A	(A)	Clutch or Brake Pedal Pad	F100/350	67-72	4.50 ea.
B7A-2457-A		Clutch Pedal Pad	F100/350	73-79	4.50 ea.
D3TZ-2457-A	(B)	Brake Pedal Pad - for pedal w/o metal trim	F100/350	73-79	5.00 ea.
D6TZ-2457-A		Brake Pedal Pad for pedal w/ metal rim	F100/350	76-79	10.00 ea.
B7AZ-2471-A	(C)	Clutch or Brake Pedal Arm Plastic Bushing			1.00 ea.
		Clutch Pedal - (takes 2).....	F100/350	67-77	
		Brake Pedal - (takes 4).....	F100/350	67-77	
		Clutch & Brake Pedal.....	F100/350	78-79	
		- Manual Trans. (takes 4)			
		Brake Pedal - (takes 2).....	F100/350	78-79	
		- Auto. Trans.			
		- Speed Control			
D1TZ-7583-A		Clutch Pedal Bumper	F100/350	68-72	10.00 ea.
D3TZ-7583-A	(D)	Clutch and Brake Pedal Bumper	F100/350	73-79	6.00 ea.



PARKING BRAKE PARTS

PART #	PIC	DESCRIPTION	MODEL	YEAR	PRICE
C8SZ-2454-A	(E)	Park Brake Pedal Pad	F100/350	73-79	8.00 ea.
C8SZ-2A798-A		Park Brake Pedal Pad Trim	F100/350	67-91	Coming
C7TZ-2K650		Park Brake Cable to Floor Seal	F100/350	67-72	4.00 ea.
D4TZ-2K650	(F)	Park Brake Cable to Floor Seal	F100/150	73-79	10.00 ea.
8M-2814		Park Brake Cable Clip	F100/350	67-72	2.00 ea.
91A-2106	(G)	Park Brake Lever to Brake Shoe Retaining Clip - need (2) per vehicle	F100/250	73-79	0.75 ea.



FRONT BRAKE CABLE & HOUSING

PART #	PIC	DESCRIPTION	MODEL	YEAR	PRICE
		<u>Front Brake Cable & Housing</u>			
C7TZ-2853-A		(4x2) - 77 3/4" long	F100/250	67-69	70.00 ea.
D0TZ-2853-A		(4x2) - 80 1/16" long	F100/350	70-72	70.00 ea.

REAR BRAKE CABLE

PART #	PIC	DESCRIPTION	MODEL	YEAR	PRICE
		<u>Rear Brake Cable</u>			
		- Before Serial D96, 001			
C8TZ-2A635-A		- RH - (4X2) 58" long	F100	68-69	70.00 ea.
C8TZ-2A635-B		- LH - (4X2) 62 5/32" long	F100	68-69	70.00 ea.
		<u>Rear Brake Cable</u>			
D0TZ-2A635-H		- LH - (4x2) 62 5/32" long	F100	70-72	70.00 ea.
D0TZ-2A635-G		- RH (4x2) 52" long	F100	70-72	70.00 ea.

BRAKE LIGHT SWITCHES

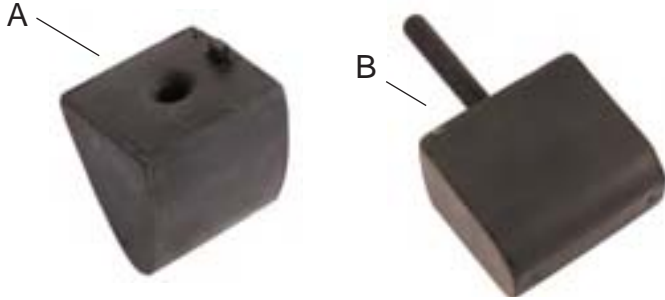
PART #	PIC	DESCRIPTION	MODEL	YEAR	PRICE
D2TZ-13480-B		Brake Light Switch - Before Serial #CC0001	F100/350	67-78	9.00 ea.



SUSPENSION

AXLE BUMPERS

PART #	PIC	DESCRIPTION	MODEL	YEAR	PRICE
C5TZ-3020-A	(A)	- Front - 2WD	F100/350	67-79	15.00 ea.
D7TZ-3020-A		- Front - 4WD	F150-250	77-79	10.00 ea.
C5TZ-4730-B	(B)	- Rear - 2WD - Rear - 4WD - Rear	F100/350 F100/250 F100/350	67-72 65-72 73-79	20.00 ea.



TIE ROD ENDS

PART #	PIC	DESCRIPTION	MODEL	YEAR	PRICE
C5TZ-3A130-A		Inner Tie Rod End - Right	F100	65-71	48.25 ea.



SPINDLE ASSEMBLY

PART #	PIC	DESCRIPTION	MODEL	YEAR	PRICE
D6TZ-3105-C		<u>Front Spindle</u> - RH or LH - 4 WD	F100/150	76-79	200.00 ea.



KING PIN BOLT SET

PART #	PIC	DESCRIPTION	MODEL	YEAR	PRICE
C8TZ-3111-A	(C)	- w/ Plastic Bushings - Use with spindle stamped C8TA-3107-D	F100	67-71	60.00 kit
D2TZ-3111-A		- w/ Steel Bushings - Use with spindle stamped D2TA-3107-BA	F100	71-72	60.00 kit
D2TZ-3111-A		- w/ Steel Bushings	F100	73-74	60.00 kit
D5TZ-3111-A	(D)	- w/ Steel Bushings	F100	75-79	60.00 kit



UPPER BALL JOINT

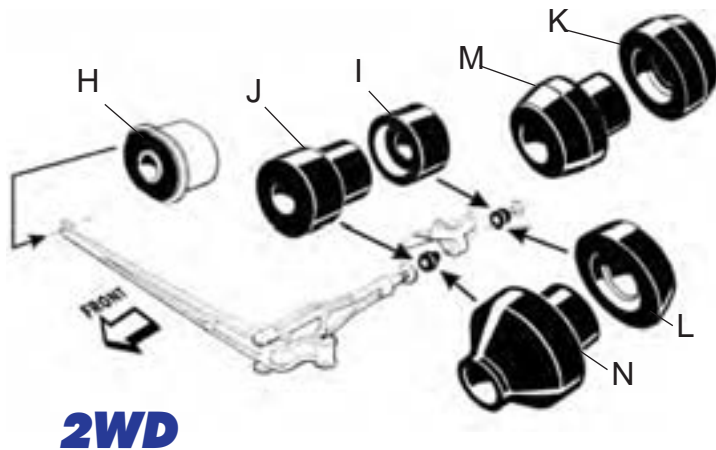
PART #	PIC	DESCRIPTION	MODEL	YEAR	PRICE
D3TZ-3049-A	(E)	<u>Upper Ball Joint</u>	F100/150	73-79	40.00 ea.

COIL SPRING PLATE - 4WD

PART #	PIC	DESCRIPTION	MODEL	YEAR	PRICE
D1TZ-5A307-A		<u>Front Spring Seat Assy.</u> Lower - 4WD	F100	71-75	30.00 ea.
D6TZ-5A307-C		Lower - 4WD	F100/150	76-77	30.00 ea.
D8TZ-5A307-B	(F)	Lower - 4WD	F150	78-79	30.00 ea.
C6TZ-5B300-C	(G)	<u>Front Spring Mounting Retainer</u> Lower - 4WD	F100/150	66-75	15.00 ea.
D8TZ-5B300-A		Lower - 4WD	F150	78-79	25.00 ea.

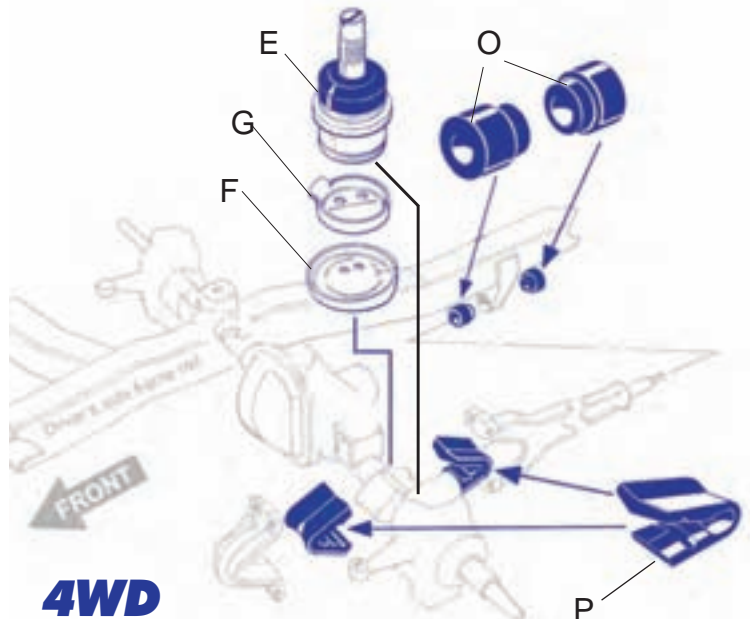
RADIUS ARM & AXLE PIVOT BUSHINGS - 2WD

PART #	PIC	DESCRIPTION	MODEL	YEAR	PRICE
C5TZ-3B177-A	(H)	<u>Axle Pivot Bushing - 2WD</u> Twin I Beam Front - takes 2	F100/250	65-79	15.00 ea.
C7TZ-3B203-A		<u>Radius Arm Bushing - 2WD</u> - Front & Rear - takes 4	F350	67-72	6.50 ea.
C5TZ-3B203-B	(I)	<u>Radius Arm Bushing - 2WD</u> - Rear - takes 2.....	F100/250 F100/350	65-72 73-75	6.50 ea.
C5TZ-3B203-C	(J)	- Front - takes 2.....	F100/250 F100/350	65-72 73-75	6.50 ea.
D5TZ-3B203-C	(K)	<u>Radius Arm Bushing - 2WD</u> - Rear - takes 2	F100/350	76-78	6.50 ea.
D9TZ-3B203-A	(L)	- Rear - takes 2	F100/350	79-86	6.50 ea.
D5TZ-3B203-D	(M)	<u>Radius Arm Bushing - 2WD</u> - Front - takes 2	F100/350	76-78	6.50 ea.
E6TZ-3B203-A	(N)	- Front - takes 2	F100/350	79-86	6.50 ea.



RADIUS ROD & AXLE PIVOT BUSHINGS - 4WD

PART #	PIC	DESCRIPTION	MODEL	YEAR	PRICE
C5TZ-3B203-C		<u>Radius Arm Bushing - 4WD</u> At Frame end - 4 per axle	F100	67-72	6.50 ea.
C6TZ-3B203-C	(O)	<u>Radius Arm Bushing - 4WD</u> At Frame end - 2 per axle	F100/150	73-77	15.00 ea.
D6TZ-3B203-A	(P)	<u>Radius Arm Bushing - 4WD</u> - At Axle End - 4 per Axle	F100/150	67-79	6.50 ea.
D8TZ-3B203-A		<u>Radius Arm Bushing - 4WD</u> - At Axle End - 4 per axle	F100/150	78-79	6.50 ea.



RADIUS ARM & AXLE PIVOT KITS - 2WD

PART #	PIC	DESCRIPTION	MODEL	YEAR	PRICE
C5TZ-3B203-KIT		<u>Radius Arm and Axle Pivot Bushing Kit - 2 W/D</u> Includes: (2) -C5TZ-3B177-A (2) -C5TZ-3B203-C (2) -C5TZ-3B203-B	F100/250	65-75	50.00 kit
D5TZ-3B203-KIT		<u>Radius Arm and Axle Pivot Bushing Kit - 2 W/D</u> Includes: (2) - C5TZ-3B177-A (2) - D5TZ-3B203-C (2) - D5TZ-3B203-D	F100/250	76-78	50.00 kit
D9TZ-3B203-KIT		<u>Radius Arm and Axle Pivot Bushing Kit - 2 W/D</u> Includes: (2) - C5TZ-3B177-A (2) - D9TZ-3B203-A (2) - E6TZ-3B203-A	F100/250	79-86	50.00 kit

RADIUS ARM & AXLE PIVOT KITS - 4WD

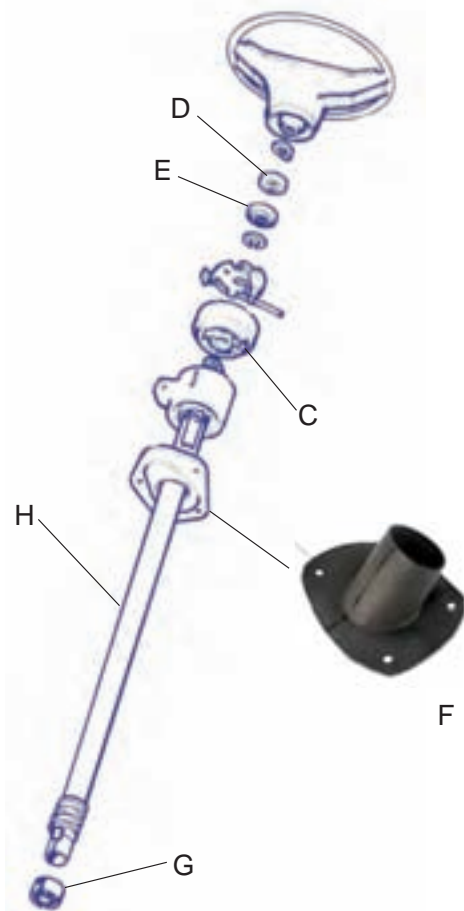
PART #	PIC	DESCRIPTION	MODEL	YEAR	PRICE
D2TZ-3B203-KIT		<u>Radius Arm Bushing and Axle Kit - 4x4</u> Includes: (4) of D6TZ-3B203-A (4) of C5TZ-3B203-C	F100	67-72	50.00 kit
D6TZ-3B203-KIT		<u>Radius Arm Bushing and Axle Kit - 4x4</u> Includes: (4) - D6TZ-3B203-A (4) - C6TZ-3B203-C	F100/150	73-77	80.00 kit
D8TZ-3B203-KIT		<u>Radius Arm Bushing and Axle Kit - 4x4</u> Includes: (4)- D6TZ-3B203-A (4) - D8TZ-3B203-A	F100/150	78-79	50.00 kit

STEERING COLUMN BEARINGS & BUSHINGS

PART #	PIC	DESCRIPTION	MODEL	YEAR	PRICE
DOTZ-3510-A		Lower Steering Column Bearing Seal Retainer 1 5/16" OD, 3/8 thick	F100/350	65-73	5.00 ea.
C5DZ-3511-A D3TZ-3511-D	(C)	Steering Column Tube Flange - Manual Transmission - Automatic	F100/250 F100/350	65-72 73-77	30.00 ea. 20.00 ea.
C3DZ-3517-A	(D)	Upper & Lower Bearing -2WD Before Serial # U60,001	F100/350	67-73	10.00 ea.
C3DZ-3517-A		Lower Bearing - 2WD with Fixed Wheel	F100/350	75-79	10.00 ea.
F23Z-3517-B	(D)	Upper Bearing - 2WD with Fixed Wheel	F100/350	74-79	24.00 ea.
B1AZ-3518-A	(E)	Upper & Lower Bearing Sleeve - 2 WD - Before Serial #S40,001	F100/350	67-73	12.00 ea.
E2AZ-3518-C	(E)	Upper Steering Column Bearing Sleeve - w/ Fixed Wheel	F100/350	74-79	7.00 ea.
D9TZ-3C773-B	(G)	Steering Column Shaft Lower Plastic Bushing - 2 wheel drive - w/ fixed column	F100/350 F100/350	73-77 79	6.00 ea.

STEERING COLUMN SHIFT TUBES

PART #	PIC	DESCRIPTION	MODEL	YEAR	PRICE
C9TZ-7212-E		- Automatic w/Power Steering	F100/250	65-77	50.00 ea.
D8TZ-7212-H		- Automatic w/Power Steering	F100/250	78-79	50.00 ea.
C5TZ-7212-C	(H)	- 3 Speed w/Manual Steering	F100/250	65-77	50.00 ea.



STEERING COLUMN TO FLOOR SEAL

PART #	PIC	DESCRIPTION	MODEL	YEAR	PRICE
<u>Steering Column to Floor Seal</u>					
C7TZ-3513-B	(F)	- Manual Steering	F100/350	67-76	20.00 ea.
C9TZ-3513-A		- Power Steering	F100/350	69-76	20.00 ea.
D7TZ-3513	(N)	- Manual or Power Steering	F100/350	77-79	8.00 ea.



STEERING COLUMN FLANGE

PART #	PIC	DESCRIPTION	YEAR	PRICE
C5TZ-3508	(J)	Steering Column Lower Bearing Cup Support Flange	65-77	10.00 ea.



STEERING SHAFT COUPLING

PART #	PIC	DESCRIPTION	MODEL	YEAR	PRICE
Coupling that connect the steering gear input shaft to the steering column shaft.					
D8TZ-3A525-A	(K)	- Power Steering - 4x2	F100/350	78-79	70.00 ea.
D9TZ-3A525-A		- Power steering	F150 4x4	78-79	78.00 ea.



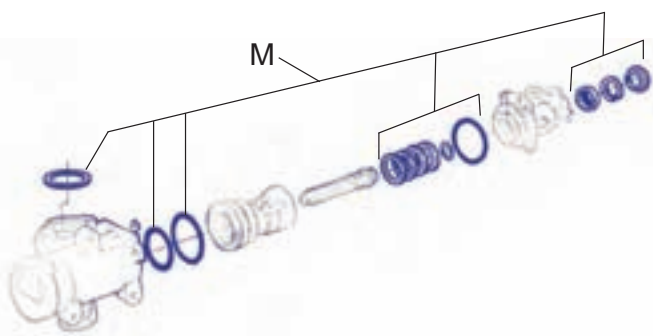
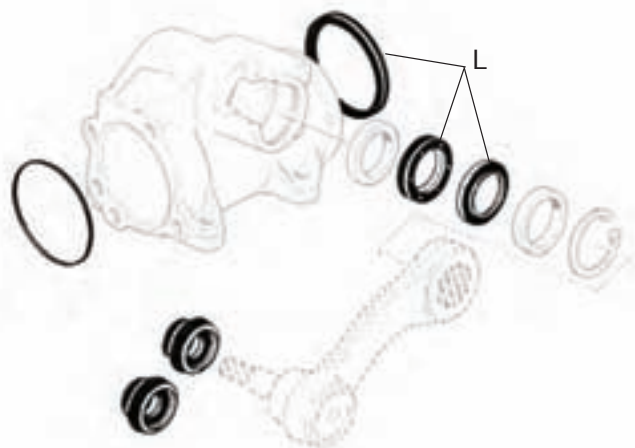
STEERING

PART #	PIC	DESCRIPTION	MODEL	YEAR	PRICE
C5TZ-3304-C		<u>Steering Drag Link Assembly</u> - 4x2 (manual or power steering)	F100 F150	65-72 65-71	175.00 ea.



POWER STEERING BOX SEAL KIT

PART #	PIC	DESCRIPTION	MODEL	YEAR	PRICE
C6TZ-3E500-A		<u>Power Steering Box Seal Kit</u> for Bendix Steering Gear	F100/250	65-67	50.00 ea.
D7AZ-3E502-A	(M)	<u>Power Steering Gear Upper Input Shaft Seal Kit</u> - w/ Ford Steering Gear	F100/350	67-79	30.00 ea.



POWER STEERING CONTROL VALVE

PART #	PIC	DESCRIPTION	MODEL	YEAR	PRICE
D4TZ-3A533-A		<u>Power Steering Hydraulic Control Valve Ball Stud Kit</u> w/ 4 W/D	F250	74-77	50.00 ea.



STEERING WHEEL

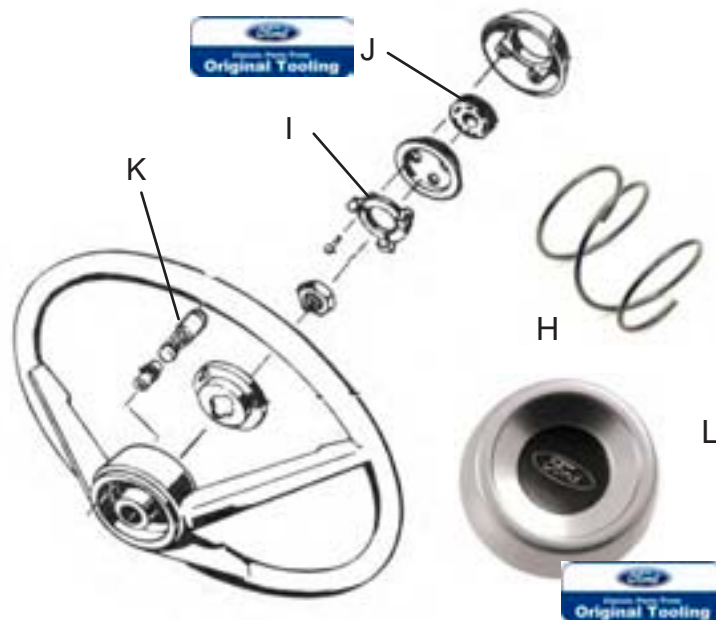
STEERING WHEEL

PART #	PIC	DESCRIPTION	MODEL	YEAR	PRICE
C3DZ-3600-A	(A)	- Black - 3 spoke - No Horn Parts	F100/350	61-70	225.00 ea.
D4TZ-3600-A	(B)	- Black - 2 Spoke - w/o Speed Control - w/o Horn Switch	F100/350	71-77	250.00 ea.
D8TZ-3600-B	(C)	- Black - 2 Spoke - for Power Steering - w/o Horn Switch	F100/350	78-86	250.00 ea.
D5TZ-3600-B		- Black - 2 Spoke - For Speed Control	F100/350	75-77	300.00 ea.



HORN RING RELATED PARTS

PART #	PIC	DESCRIPTION	MODEL	YEAR	PRICE
C0DZ-13A807-B	(H)	Horn Ring Spring	F100/250	61-70	3.00 ea.
C2DZ-13A809-A	(I)	Horn Ring Plastic Retainer Plate - Standard & Custom Cab	F100/350	67-70	5.00 ea.
C0DZ-13A813-A	(J)	Horn Ring Pressure Pad (rubber under ring above horn index plate)	F100/350	61-70	12.00 ea.
C20Z-13A821-A	(K)	Horn Ring Contact Brush Assembly	F100/350	67-72	5.00 ea.
C3TZ-13A805-C	(L)	Horn Button Assembly - Standard Cab	F100/250	61-70	35.00 ea.



KEY BLANKS

PART #	PIC	DESCRIPTION	MODEL	YEAR	PRICE
C7AZ-3685-A	(D)	Ignition & Door Lock	F100	67-77	2.50 ea.
C7AZ-3685-B	(E)	Glove Box	F100	67-77	2.50 ea.



HORN RING / HORN BUTTON

PART #	PIC	DESCRIPTION	MODEL	YEAR	PRICE
C0DZ-13A805-A	(V)	<u>Horn Ring</u> - Chrome Includes: Horn Contact & Emblem Retainer - Emblem not included	F100/250	61-70	82.50 ea.
C3TZ-3649-B	(W)	<u>Horn Ring Emblem</u>	F100/350	68-70	30.00 ea.



HORN BAR PAD & SWITCH ASSEMBLY

PART #	PIC	DESCRIPTION	YEAR	PRICE
Horn Bar Pad & Switch without Speed Control				
D3TZ-13A805-A		- Black finish	71-77	100.00 ea.
D3TZ-13A805-B	(O)	- Walnut finish	70-77	125.00 ea.
D3TZ-13A805-BS	(P)	- Brown finish	71-77	100.00 ea.
D8TZ-13A805-C	(Q)	- Woodgrain finish	78-81	125.00 ea.
D9TZ-13A805-A		- Black	78-81	100.00 ea.

PART #	PIC	DESCRIPTION	YEAR	PRICE
Horn Bar Pad & Switch with Speed Control				
D5TZ-13A805-A	(R)	- Walnut finish	75-77	200.00 ea.



LOOKS GREAT!

3 SPOKE SPORT WHEEL HORN PARTS

PART #	PIC	DESCRIPTION	MODEL	YEAR	PRICE
D8TZ-3649-A	(S)	<u>Steering Wheel Emblem</u> "FORD" for 3 spoke sport wheel	F100/350 E100-350	78-86 78-86	25.00 ea.
D8TZ-13A805-BL	(T)	<u>Horn Button -w/Ford Center</u> <u>for 3 spoke or sport wheel</u> - Black outer ring	F100/350	78-86	85.00 ea.
D8TZ-13A805-A	(U)	- Silver outer ring	F100/350	78-86	85.00 ea.



HORN RELAY

PART #	PIC	DESCRIPTION	MODEL	YEAR	PRICE
B8A-13853	(N)	<u>Horn Relay</u>	F100/350	67-68	17.50 ea.
C4AZ-13853-A	(M)	<u>Horn Relay</u>	F100/350	73-77	17.50 ea.

N



M



HORN ASSEMBLY

PART #	PIC	DESCRIPTION	MODEL	YEAR	PRICE
C7TZ-13833-A		<u>Horn Assembly</u> - Original Design	F100/350	67-79	35.00 ea.

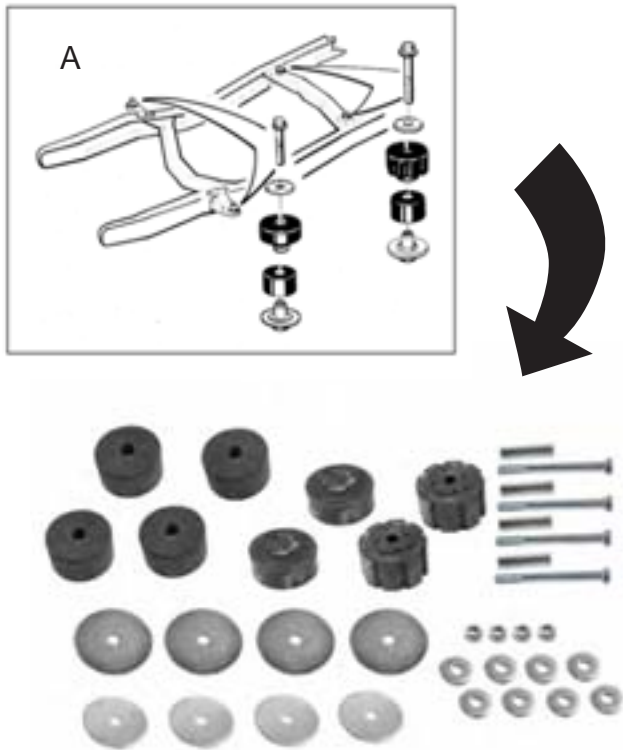


SUSPENSION

CAB TO FRAME MOUNTING KIT

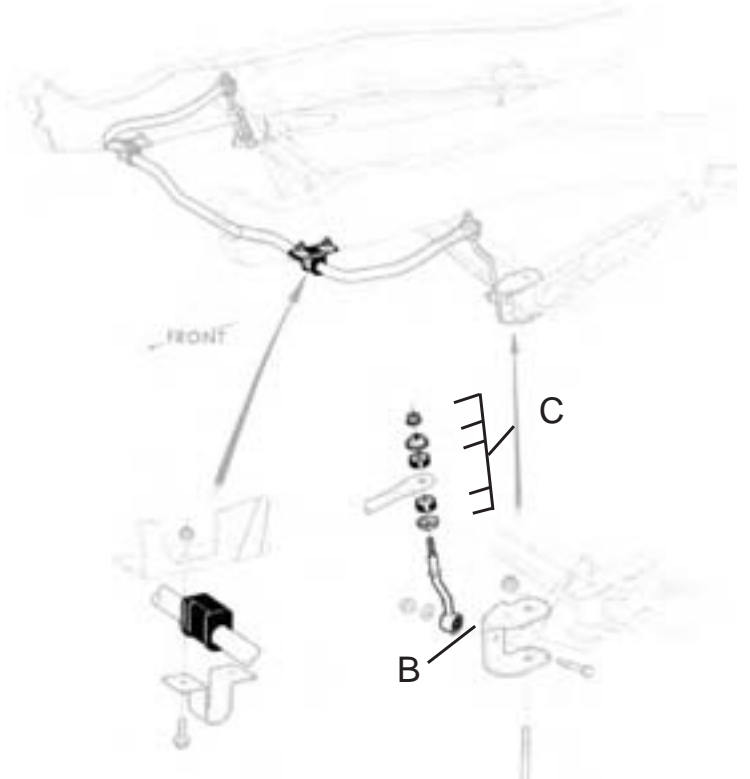
PART #	PIC	DESCRIPTION	MODEL	YEAR	PRICE
Complete Kit comes with Installation Instructions					
C7TZ-5400-S		Cab to Frame Mounting Kit - 2W Drive	F100/250	67-72	100.00 kit
D3TZ-5400-S	(A)	Cab to Frame Mounting Kit - 4X2 - 2W/D	F100/350	73-79	100.00 kit

COMPLETE KIT COMES WITH INSTALLATION INSTRUCTIONS, ALL BOLTS, NUTS AND SPECIAL WASHERS



FRONT STABILIZER BAR PARTS

PART #	PIC	DESCRIPTION	MODEL	YEAR	PRICE
D5TZ-5K483-A	(B)	Front Stabilizer Bar Link - (2) per vehicle - 4x2	F150-350	75-79	15.00 ea.
D8TZ-5A486-A	(C)	Front Stabilizer Bar Link End Repair Kit - 2 per vehicle	F150-350	75-79	25.00 kit
D3TZ-5493-C		Stabilizer Bar Bushing - Rear - 2 per vehicle		73-79	15.00 ea.



SHOCK ABSORBERS

PART #	PIC	DESCRIPTION	MODEL	YEAR	PRICE
C5TZ-18124-A	(D)	Front	F100/350	65-79	50.00 ea.
C5TZ-18125-C		Rear	F100	65-69	50.00 ea.
D0TZ-18125-A		Rear	F100/350	70-79	55.00 ea.



FRONT OF REAR SPRING t

PART #	PIC	DESCRIPTION	MODEL	YEAR	PRICE
For One Spring					
B7C-5630-A	(E)	- w/o Flex-O-Matic Spring - 4x2	F100	64-72	17.50 kit
C8TZ-5630-C	(F)	- w/o Flex-O-Matic Spring - 4x2	F250	68-72	14.50 kit
D3TZ-5630-A	(G)	- 2 Wheel Drive	F100/150	73-79	12.00 kit

E



F



G



REAR SPRING SHACKLE BOLT & BUSHING

PART #	PIC	DESCRIPTION	MODEL	YEAR	PRICE
B7C-5781-A	(H)	<u>Rear Spring Bushing</u> - (2) for Front of Rear Spring - (4) for Rear of Rear Spring - Without Flex-o-Matic Spring	F100	64-72	9.50 ea.
379668-S	(I)	<u>Rear Spring Bolt</u> - (2) for Front of Rear Spring - (4) for Rear of Rear Spring - Without Flex-o-Matic Spring	F100	64-72	3.75 ea.

I

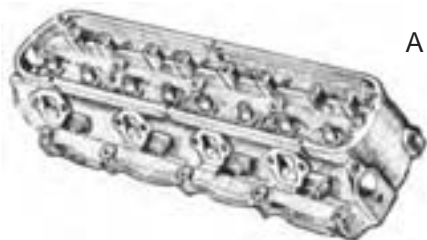


H



ENGINE PARTS

PART #	PIC	DESCRIPTION	MODEL	YEAR	PRICE
C1AZ-6200-C		<u>Connecting Rod</u> - 8 cyl. 352, 360 - 8 cyl. 330 M/D		65-72 64-72	25.00 ea.
D6TZ-6049-A	(A)	<u>Cylinder Head Assembly</u> - NEW - GENUINE FORD - w/o valves - 8 cyl. 330 H/D, 361, 391		64-78	300.00 ea.
C3AZ-6312-A	(B)	<u>Harmonic Balancer</u> - 352,390 V8 - 6 19/32" dia, 1 19/32" L - I.D. C4AE-6316-A or B	F100/350	60-72	130.00 ea.
D5TZ-6316-D	(C)	<u>Crankshaft Pulley Assembly</u> - w/ 390 V8	F100/350	73-76	100.00 ea.
352974-S100		<u>Engine Wiring Clip</u> - holds engine wiring along top of valve cover - (2) per truck	F100/350	67-72	2.00 ea.



A



D



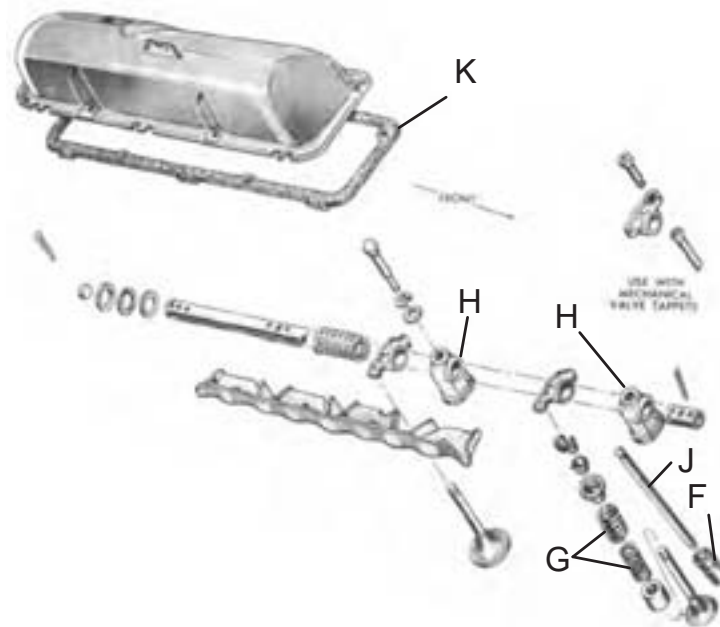
B

FLYWHEEL PARTS

PART #	PIC	DESCRIPTION	MODEL	YEAR	PRICE
D1AZ-6375-A	(D)	<u>Flywheel Assembly w/ 351m</u> - 400m - V8 for c6 Trans	F100/350	77-79	75.00 ea.
D1SZ-6375-A		<u>Automatic Flywheel Assembly</u> - 14 1/4" dia. for 429 & 460 V8	F250	73-79	80.00 ea.
C4TZ-6384-A		<u>Flywheel Ring Gear</u> - 188 Teeth - 8 cyl. 330, 361, 391		64-72	40.00 ea.

VALVE RELATED PARTS

PART #	PIC	DESCRIPTION	YEAR	PRICE
C8AZ-6500-A	(F)	<u>Valve Tappet - Hydraulic</u> - 8 cyl. 352, 360, 390 - 8 cyl. 330, 361, 391	65-72 64-72	5.00 ea.
B8A-6513-C	(G)	<u>Valve Spring - Before Ser. # A84,001</u> - 8 cyl. 352 - 8 cyl. 330 M/D	65-67 64-72	3.00 ea.
C2AZ-6531-B	(H)	<u>Valve Rocker Arm Shaft Support</u> - 8 cyl. 352, 360, 390 - 8 cyl. 330, 361, 391	65-72 64-72	12.50 ea.
C8AZ-6565-A	(J)	<u>Valve Push Rod - .030 U/S</u> - 8 cyl. 352, 360, 390 - 8 cyl. 330, 361, 391	65-72 64-72	3.00 ea.
D0AZ-6584-C	(K)	<u>Valve Cover Gasket</u> - 8 cyl. 352, 360, 390 - 8 cyl. 330, 361, 391	65-72 64-72	10.00 pr.



USE WITH MECHANICAL VALVE TAPPETS

ENGINE LAMP ASSEMBLY

PART #	PIC	DESCRIPTION	MODEL	YEAR	PRICE
C2RZ-15A700-A		Engine Lamp Assembly		ALL	50.00 ea.



MOUNTS UNDER HOOD.
TURNS OFF AS HOOD
CLOSES.

MOTOR MOUNT

PART #	PIC	DESCRIPTION	MODEL	YEAR	PRICE
C7TZ-6038-H	(L)	<u>Motor Mount</u> - w/352 360, 390 V8 - RH - IN STOCK - LH - SOLD OUT	F100/350	67-72	20.00 ea.
C5TZ-6068-A	(M)	<u>Transmission Mount</u> - for Manual & Automatic Trans.	F100/350	65-79	15.00 ea.



MOTOR MOUNTS - UNIVERSAL

PART #	PIC	DESCRIPTION	MODEL	YEAR	PRICE
TD-9720	(N)	<u>Ford 429-460 Into 65-79</u> <u>Ford 2 WD Pickup</u> Fits: F100/150-250-350. - Mount brackets and bushings. - No welding required. - Not for Lincoln motors.			185.00 kit



PCV GROMMETS

PART #	PIC	DESCRIPTION	MODEL	YEAR	PRICE
C6AZ-6A892-A	(O)	<u>Grommet for PCV Valve</u> - "D" Shaped Hole - 8 cyl. 289, 302 - 8 cyl. 351W	F100/350 F100/350	68-70 69	5.00 ea.
C7AZ-6A892-A	(P)	<u>Grommet for PCV Valve</u> - Round Hole - 8 cyl. 352 - 8 cyl. 302 Special	F100/350 F100/350	67 69-71	5.00 ea.
D00Z-6A892-A	(Q)	<u>Grommet for PCV Valve</u> - "D" Shaped Hole - 8 cyl. 302 - 8 cyl. 351		68-71 69-71	5.00 ea.



CRANKCASE PARTS

PART #	PIC	DESCRIPTION	MODEL	YEAR	PRICE
C7TZ-6A664-B	(R)	<u>Crankcase Ventilator Hose</u> - w/ Ford Script & Part # - Moulded-8 cyl. 352,360,390	F100/350	67-71	8.00 ea.
D1TZ-6A664-A	(S)	<u>Crankcase Ventilator Hose</u> - w/ Ford Script & Part # - Moulded - 8 cyl. 302	F100	71-72	10.00 ea.
D1TZ-6767-A	(T)	<u>Crankcase Ventilator Hose</u> <u>Nipple - Hose to Air Cleaner</u> - 6 cyl. 300 L/D & H/D - Before Ser.# C50,001	F100/350	71-76	5.00 ea.



PCV VALVE ASSEMBLY

PART #	PIC	DESCRIPTION	MODEL	YEAR	PRICE
C8AZ-6A664-D	(U)	<u>Hose for PCV Valve to Carb</u> - w/ Ford Script & Part # - 8 cyl. 360, 390	F100/350	68-71	30.00 ea.
D8TZ-6A666-A	(V)	<u>PCV Valve Assy. w/360 V8</u>	F100/350	74-78	6.00 ea.



OIL PUMP

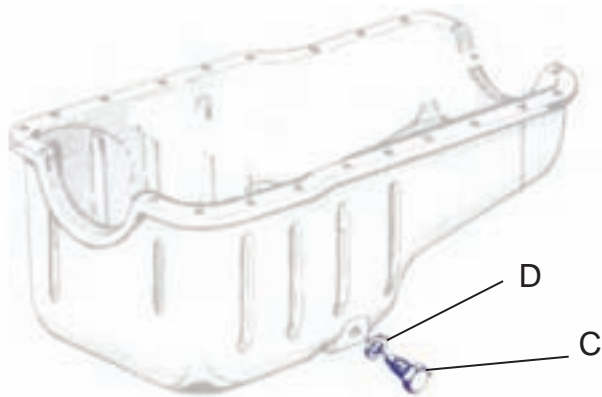
OIL PUMP

PART #	PIC	DESCRIPTION	MODEL	YEAR	PRICE
C20Z-6600-A	(A)	<u>Oil Pump Assembly</u> - Genuine Ford for 221, 260, 289, 302 V8	F100/250	69-96	20.00 ea.
C5AZ-6600-A	(B)	<u>Oil Pump Assembly - 6 cyl.</u> - Genuine Ford for 240, 300	F100/350	65-96	27.00 ea.



OIL PAN

PART #	PIC	DESCRIPTION	MODEL	YEAR	PRICE
C0AE-6710-C		<u>Oil Pan Gasket Set</u> - 8 cyl. 352, 360, 390 - 8 cyl. 330, 361, 391	F100/350 F100/350	65-72 64-72	10.00 set
D1AZ-6730-A	(C)	<u>Oil Pan Drain Plug</u> - 1/2" x 20 - fits 170, 289, 302	F100/350	67-79	10.00 ea.
C20Z-6734-A	(D)	<u>Oil Pan Drain Plug Gasket</u> - fits 170, 289, 302	F100/350	67-79	3.00 ea.
C5AZ-6754-B		<u>Oil Dip Stick Tube</u> - 240 / 300 6 cyl. - 3 5/8" Long	F100/350	65-79	15.00 ea.



OIL FILLER CAP

PART #	PIC	DESCRIPTION	YEAR	PRICE
C8AZ-6766-A		<u>Oil Filler Cap - Black - Valve Cover type</u> 6 cyl. 240, 300 8 cyl. 302, 330, 360, 361, 390, 391	68-71 68-70	20.00 ea.



OIL FILTERS

PART #	PIC	DESCRIPTION	MODEL	YEAR	PRICE
D9AZ-6731-A	(E)	<u>Spin-On Type Oil Filter - Motorcraft</u>	F100	60-up	9.00 ea.
C2AZ-6731-B	(F)	<u>Spin-On Oil Filter - Hastings</u> - with check valve - oil remains in top of motor for better lubrication during startup	F100	60-up	9.00 ea.



OIL PRESSURE SENDING UNIT

PART #	PIC	DESCRIPTION	MODEL	YEAR	PRICE
C8AZ-9278-A	(G)	<u>Oil Pressure Sending Unit</u> - use w/ warning lights	F100/350	67-79	9.00 ea.
D9ZZ-9278-A	(H)	- use w/ gauges - Original Ford	F100/350	66-79	40.00 ea.
C9ZZ-9278-A		- use w/ gauges - aftermarket	F100/750	64-79	20.00 ea.



NEUTRAL SAFETY SWITCH - AUTO

PART #	PIC	DESCRIPTION	MODEL	YEAR	PRICE
C7TZ-7A247-A	(B)	<u>Transmission Gear Shift Neutral Switch</u> - column mounted	F100/350	67-77	70.00 ea.
D0TZ-7B097-B	(C)	<u>Trans. Control Selector Pin for Neutral Switch</u> for A/T	F100/350	65-77	12.00 ea.



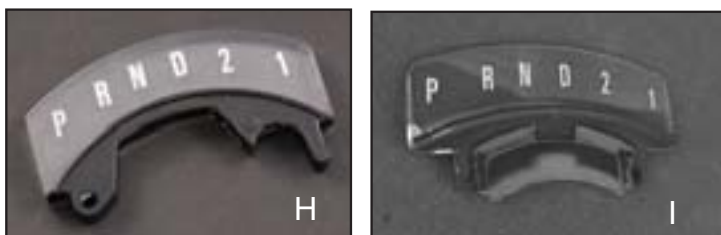
SHIFT INDICATOR COVER

PART #	PIC	DESCRIPTION	MODEL	YEAR	PRICE
D3TZ-7A004-A	(E)	<u>Shift Indicator Cover</u>	F100/350	74-77	15.00 ea.
D9TZ-7A004-B	(F)	<u>Shift Indicator Cover</u>	F100/350	78-79	15.00 ea.



SHIFT DIAL

PART #	PIC	DESCRIPTION	MODEL	YEAR	PRICE
C7TZ-7B033-E	(G)	<u>Trans. Shift Dial</u> - Automatic - Before Ser.# M60,001	F100/350	67-72	14.00 ea.
D4TZ-7B033-A	(H)	<u>Trans. Shift Dial</u> - 8 cyl. with c-4	F100/350	74-77	20.00 ea.
D8TZ-7B033-A	(I)	<u>Trans. Shift Dial</u> - 8 cyl. 351, 400 with C-6 - Fixed column	F100/350	78-79	15.00 ea.



SHIFT DIAL HOUSING

PART #	PIC	DESCRIPTION	MODEL	YEAR	PRICE
D8TZ-7A213-A	(D)	<u>Transmission Shift Dial Housing</u> - Assembly w/ Tilt Column	F100/350	78-79	35.00 ea.



SHIFT POINTER

PART #	PIC	DESCRIPTION	MODEL	YEAR	PRICE
D3TZ-7A110-A	(J)	<u>Shift Indicator Pointer</u> - All with C-4	F100/350	67-77	12.00 ea.
D8TZ-7A110-C	(K)	<u>Shift Indicator Pointer</u> - 8 cyl. 351, 400 with C-6 - Fixed column	F100/350	78-79	10.00 ea.



SHIFT BULB

PART #	PIC	DESCRIPTION	MODEL	YEAR	PRICE
B6A-13466-1445		<u>Transmission Selector Dial Light Bulb</u>	F100/350	73-79	1.00 ea.

TRANSMISSION GEAR SHIFT

PART #	PIC	DESCRIPTION	MODEL	YEAR	PRICE
D30Z-7213-A	(L)	Gear Shift Lever Knob for Column Shift - Aluminum Chrome Finish	F100/350	70-72	15.00 ea.
E3SZ-7213-A	(M)	Gear Shift Knob/Column Shift- before 11-82 - Black	F100/350	73-83	10.00 ea.
C1AZ-7A377-B		Shift Diaphragm or Modulator for Cruise-O-Matic Trans. - FX & MX	F100/350	61-67	30.00 ea.
01A-7246-B	(O)	Gear Shift Lever Insulator Rubber Manual Transmission -Cut To Fit	F100/350	67-79	8.00 ea.
1M-7246-A	(N)	Automatic Transmission - Except D9TZ-7228-B	F100/350	67-79	8.00 ea.
357479-S	(P)	Transmission Gear Shift Lever Pin	F100/350	61-79	0.50 ea.



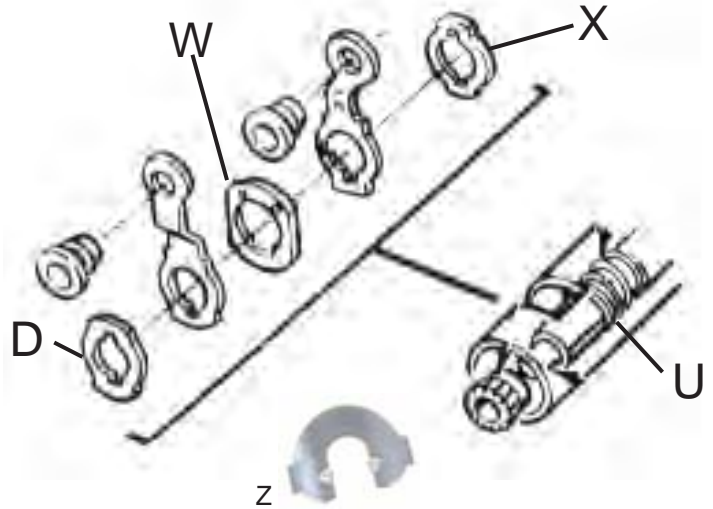
TRANS. CONTROL SELECTOR LEVER SOCKET

PART #	PIC	DESCRIPTION	MODEL	YEAR	PRICE
C0DZ-7228-B	(Q)	- 3 speed transmission	F100/250	67-77	110.00 ea.
D9TZ-7228-C		- 3 speed transmission	F100/350	78-79	30.00 ea.
C9TZ-7228-A		- Automatic	F100/350	67-77	80.00 ea.
D9TZ-7228-A		- Automatic - Adjustable column	F100/350	78-79	50.00 ea.



COLUMN SHIFTER PARTS

PART #	PIC	DESCRIPTION	MODEL	YEAR	PRICE
Gear Shift Column Tube					
C9TZ-7212-E	(S)	- for A/T, w/ P/S	F100/250	65-77	50.00 ea.
D8TZ-7212-H	(T)	- for A/T, w/ P/S	F100/250	78-79	50.00 ea.
C5TZ-7212-C		- for 3-spd w/ M/S	F100/250	73-77	50.00 ea.
Column Shift Lever Arm					
C5TZ-7303-A	(V)	- for Low & Reverse Gear	F100/250	65-72	20.00 ea.
C5TZ-7302-A		- for 2nd & 3rd Gear	F100/250	65-72	20.00 ea.
Column Shift Lever Spacer					
C9TZ-7336-A		- Plastic	F100/250	65-71	4.00 ea.
D2TZ-7336-A	(W)	- Plastic	F100/350	72-79	4.00 ea.
Column Gear Shift Arm Thrust Washer					
C5TZ-7D363-B	(X)	3/32" thick - 2 per column	F100/250	65-79	2.00 ea.
Column Gear Shift Selector Arm Bushing and Insulator Repair Kit					
C5TZ-7343-A	(Y)		F100/350	65-72	10.00 kit
Column Gear Shift Lever Arm to Trans. Shift Arm Clip					
379620-S100	(Z)	- 2 per vehicle	F100/350	65-79	2.00 ea.



TRANSMISSION

SHIFTER BOOT

PART #	PIC	DESCRIPTION	MODEL	YEAR	PRICE
D8TZ-1013100-B	(B)	<u>Floor Shift Boot Retainer</u> - Original Tooling	F100/350	73-76	30.00 ea.



B

OVERDRIVE CABLE ASSEMBLY

PART #	PIC	DESCRIPTION	MODEL	YEAR	PRICE
A9AZ-7A650-A	(C)	<u>Overdrive Cable Assembly</u> - w/ Chrome Knob - Cut to Fit- 80 1/4" long	F100	57-71	50.00 ea.
A9AZ-7A650-K		<u>Overdrive Cable Knob</u> - Die Cast Chrome - Installs w/ set screw	F100	48-71	20.00 ea.
1A-7001694	(D)	<u>Overdrive Pull Cable</u> <u>Grommet</u>	F100	67-71	5.00 ea.



C



D

PEDAL BUMPERS

PART #	PIC	DESCRIPTION	MODEL	YEAR	PRICE
D1TZ-7583-A	(E)	<u>Clutch Pedal Bumper</u>	F100/350	68-72	10.00 ea.
D3TZ-7583-A	(F)	<u>Clutch and Brake Pedal Bumper</u> - need (2) per Trk	F100/350	73-79	6.00 ea.
385523-S	(G)	<u>Floor Hole Plug</u> - for Automatic Trans. to fill Clutch rod hole	F100/350	73-79	4.00 ea.



F



E



G

CLUTCH RELEASE LEVER BOOT

PART #	PIC	DESCRIPTION	MODEL	YEAR	PRICE
C5TZ-7513-A	(H)	<u>Clutch Release Lever to Clutch Housing Boot</u> 3/4 Spd MT - 6 cyl. 3/4 Spd MT - 8 cyl. 3/4 Spd MT - 8 cyl,302	F100/350 F100/350 F100/150	73-79 73-76 77-79	17.50 ea.
D7TZ-7513-A	(I)	<u>Clutch Release Lever Dust Boot</u> for 351m-400m V8	F100/350	77-82	15.00 ea.



H



I

CLUTCH ROD TO FLOOR SEAL

PART #	PIC	DESCRIPTION	MODEL	YEAR	PRICE
C5TZ-7A533-A	(J)	<u>Clutch Rod to Floor Seal</u> - Remolded w/ Insert	F100/350	65-67	25.00 ea.
D2TZ-7A533-C	(K)	- Rubber - From M00,001	F100/350	71-79	17.50 ea.
C8TZ-7A533-A	(L)	- Rubber & Metal	F100/350	68-71	15.00 ea.

K



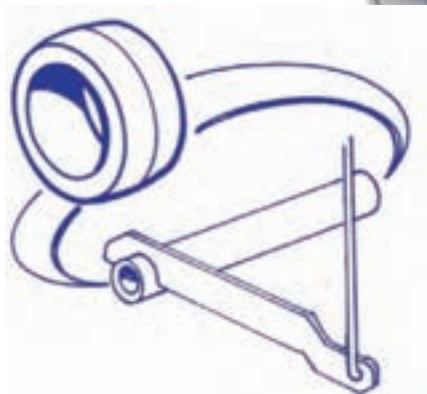
J



L

CLUTCH PARTS

PART #	PIC	DESCRIPTION	MODEL	YEAR	PRICE
D7TZ-7507-A		<u>Clutch Release Equalizer & Frame Bracket</u> - 3 & 4 speed	F100/350	73-79	20.00 ea.
C3AZ-7515-C	(M)	<u>Clutch Release Lever Assy.</u> - w/ 352, 390, V-8	F100/250	65-72	50.00 ea.
D0TZ-7521-C	(N)	<u>Clutch Release Lever Rod</u> -	F100/350	69-72	16.00 ea.
D3TZ-7521-A	(O)	- for 3, 4 spd. Trans.	F100/350	73-76	20.00 ea.
C0AZ-7526-B		<u>Clutch Release Idler Lever Bushing</u>	F100/350	61-77	3.00 pr.
C8UZ-7A535-A	(P)	<u>Clutch Release Equalizer Mounting Pivot</u> - w/ 302 V8	F100/350	69-79	15.00 ea.
C1AA-7543-A	(Q)	<u>Clutch Release Equalizer Shaft Ball in Plastic</u> - .994" O.D. , .631" I.D. .50" thick - takes 2	F100/350	65-83	2.50 ea.
C1AA-7A630-A		<u>Clutch Pedal Spring Insulator</u>	F100/350	65-72	3.00 ea.
C7TZ-7523-H		<u>Clutch Release Spring</u> - 14" Long - except 4WD & 240 6 cyl.	F100/350		10.00 ea.



GRILLE

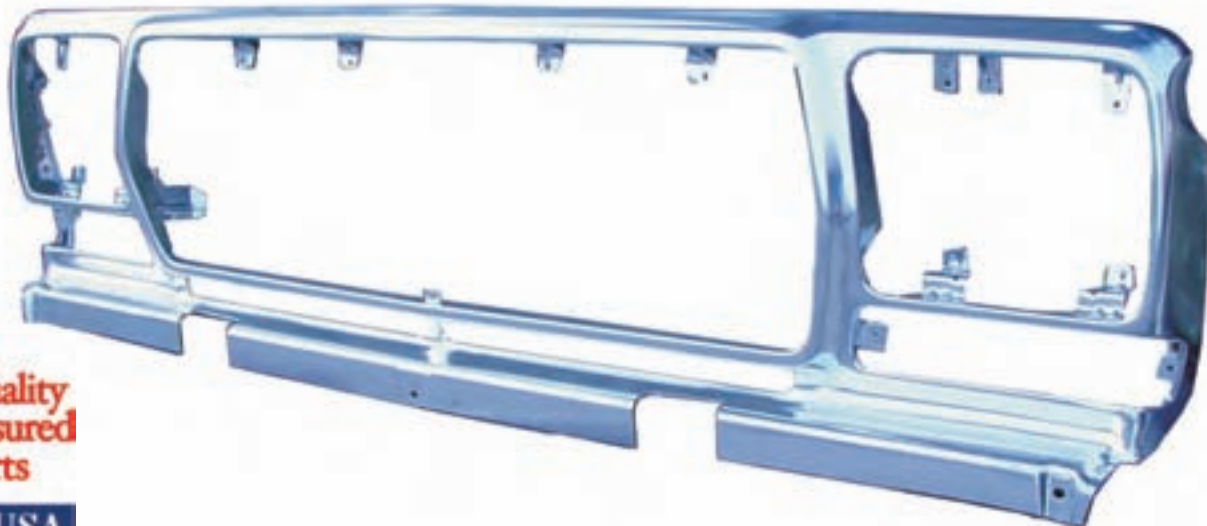
GRILLE OUTER ANODIZED ALUMINUM SHELL

PART #	PIC	DESCRIPTION	MODEL	YEAR	PRICE
<i>Grille Outer Anodized Aluminum Shells do NOT include inserts.</i>					
D0TZ-8200-D	(A)	- bright anodized aluminum.....	F100/350	70	550.00 ea.
D2TZ-8200-A		- bright anodized aluminum.....	F100/350	71-72	550.00 ea.
D6TZ-8200-A	(B)	- bright anodized aluminum.....	F100/350	73-77	550.00 ea.
D8TZ-8200-A	(C)	- bright anodized aluminum.....	F100/350	78-79	550.00 ea.
C9TZ-8200-A		- bright anodized aluminum.....IN DEVELOPMENT - LATE 2014.....	F100/350	68-69	Coming

A



B

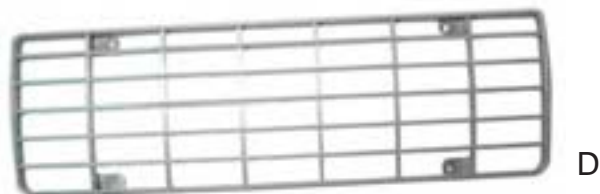


C



GRILLE PLASTIC INSERTS

PART #	PIC	DESCRIPTION	MODEL	YEAR	PRICE
D0TZ-8150-B	(D)	Painted - Argent Silver	F100/350	70	60.00 ea.
D2TZ-8150-A	(E)	- Painted - Chrome & Black	F100/350	72	60.00 ea.
D2TZ-8151-A		- RH - LH	F100/350	72	60.00 ea.



D

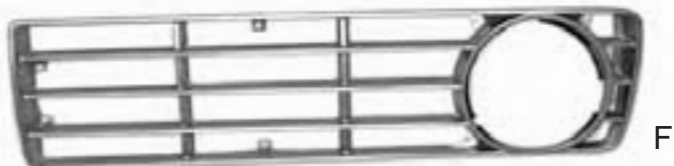


E



GRILLE PLASTIC INSERTS

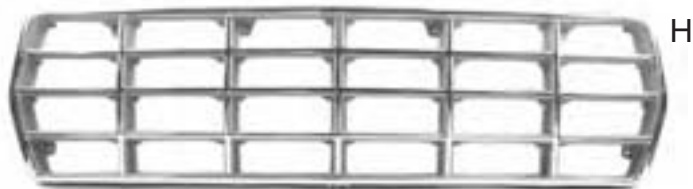
PART #	PIC	DESCRIPTION	MODEL	YEAR	PRICE
D3TZ-8150-A		- RH	F100/350	73-75	60.00 ea.
D3TZ-8151-A	(F)	- LH	F100/350	73-75	60.00 ea.
D6TZ-8150-A		- RH - Argent & Charcoal	F100/350	76-77	60.00 ea.
D6TZ-8151-A	(G)	- LH - Argent & Charcoal	F100/350	76-77	60.00 ea.
D8TZ-8150-A		- Bright Argent	F100/350	78-79	90.00 ea.
D8TZ-8150-C	(H)	- Chrome & Light Argent	F100/350	78-79	150.00 ea.



F



G



H

GRILLE EMBLEM

PART #	PIC	DESCRIPTION	MODEL	YEAR	PRICE
C8TZ-8259-A	(J)	Ranger Chrome Grille Emblem - w/ Red Plastic Insert	F100/350	68-69	85.00 ea.
C8TZ-8213-A	(K)	- Insert Only - Red Plastic	F100/350	68-69	25.00 ea.



GRILLE EMBLEM

PART #	PIC	DESCRIPTION	MODEL	YEAR	PRICE
D3TZ-8213-A	(L)	Grille XLT Emblem	F100/350	73-76	65.00 ea.



GRILLE LETTERS - FORD

PART #	PIC	DESCRIPTION	MODEL	YEAR	PRICE
D3TZ-8316-K		F.O.R.D. Letters - on Front of Grille - Triple chrome plated - w/ correct mounting Hardware	F100/350	73-77	50.00 set



RADIATOR

RADIATOR CAP

PART #	PIC	DESCRIPTION	MODEL	YEAR	PRICE
C9AZ-8100-A		- 14 lb. pressure	F100/350	67-79	7.00 ea.



RADIATOR HOSE

PART #	PIC	DESCRIPTION	MODEL	YEAR	PRICE
C8TZ-8260-B		Upper Radiator Hose - w/o A/C - 4x2	F100/350	68-72	12.00 ea.



RADIATOR DRAIN COCKS

PART #	PIC	DESCRIPTION	MODEL	YEAR	PRICE
		- 1/4" x 18 pipe thread			
8A-8115	(A)	- Straight	ALL	67-79	10.00 ea.
8CM-8115-A	(B)	- 90 degree angle	ALL	67-79	5.00 ea.



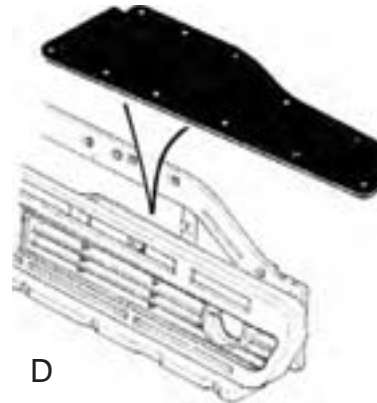
A



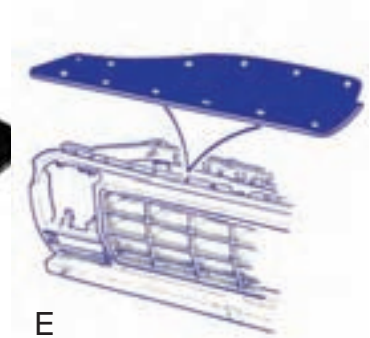
B

RADIATOR HEAT SHIELDS

PART #	PIC	DESCRIPTION	MODEL	YEAR	PRICE
		Radiator Support to Grille Heat Shields			
D3TZ-8C122-PR	(D)	- w/o Factory Air	F100/350	73-77	20.00 ea.
D3TZ-8C122-PR	(D)	- w/ Factory Air	F100/350	73-79	20.00 ea.
D8TZ-8C122-PR	(E)	- w/o Factory Air	F100/350	78-79	15.00 ea.



D



E

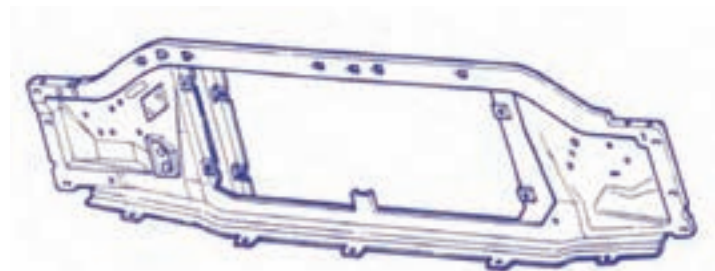
RADIATOR FRAME PAD KIT

PART #	PIC	DESCRIPTION	MODEL	YEAR	PRICE
C4TZ-8125-S		Radiator Support to Frame Pad Kit - 2 W/D - will work for F250-350 but must add extra metal washers	F100	65-76	60.00 kit



RADIATOR CORE SUPPORT

PART #	PIC	DESCRIPTION	MODEL	YEAR	PRICE
C7TZ-16378-A		- Imported - 2 W/D	F100/350	67-72	300.00 ea.
D8TZ-16138-A		22" Opening - Imported	F100/350	73-79	300.00 ea.



FAN SHROUD

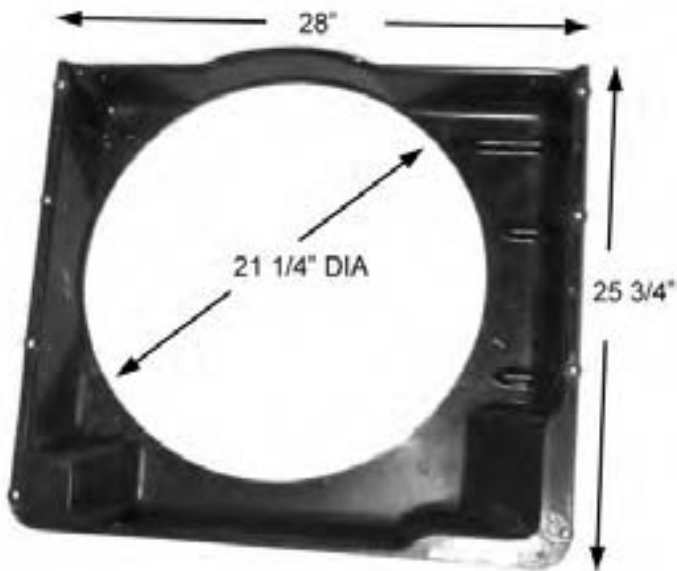
ORDER BY CASTING NUMBER IF POSSIBLE

C7TZ-8146-B Fan Shroud - I.D. # - C7TZ-H, D2TA-HA, D3TA-JA 120.00 ea.

1968-70	F350	(X/C) w/ or w/o A/C	360, 390,V8
1971-72	F100/350	(S/X/C) w/ or w/o A/C	360, 390,V8

1971-72 Fan Shroud fits all except California emissions.

1973-75	F350	(X/C) w/ A/C	360, 390,V8
1973	F250	(S/X/C)	360, 390,V8
1973-76	F100	(S/X/C)	390,V8
1973-76	F250 4x4	(S/X/C)	360,V8
1976	F150	(S/X/C)	360,V8
1976	F100	(S/X/C)	360,V8
1973-75	F100	(S/X/C) w/ A/C	360,V8



S/C = Std. Cool
 X/C = Extra Cool
 S/X/C = Super Extra Cool
 A/C = Air Conditioner
KEY

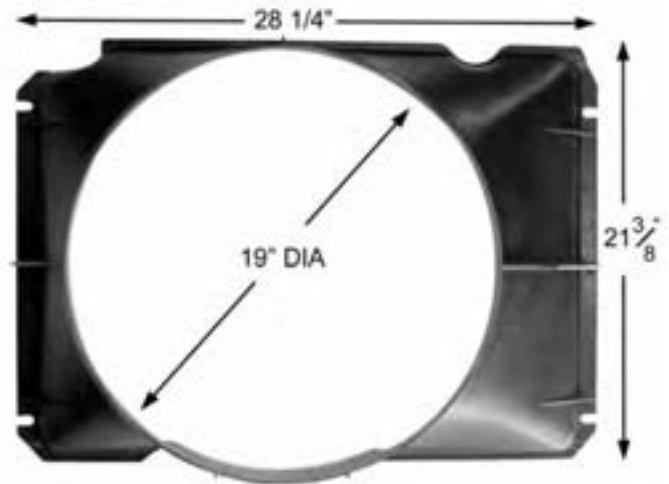


FAN SHROUD

ORDER BY CASTING NUMBER IF POSSIBLE

D3TZ-8146-B Fan Shroud - I.D. # - D3TA-CA 120.00 ea.

1969-72	F100/250	(X/C) w/ or w/o A/C	302,V8
1973-79	F100/150	(X/C) w/ A/C	302 V8



S/C = Std. Cool
 X/C = Extra Cool
 S/X/C = Super Extra Cool
 A/C = Air Conditioner
KEY



FAN SHROUD

FAN SHROUD

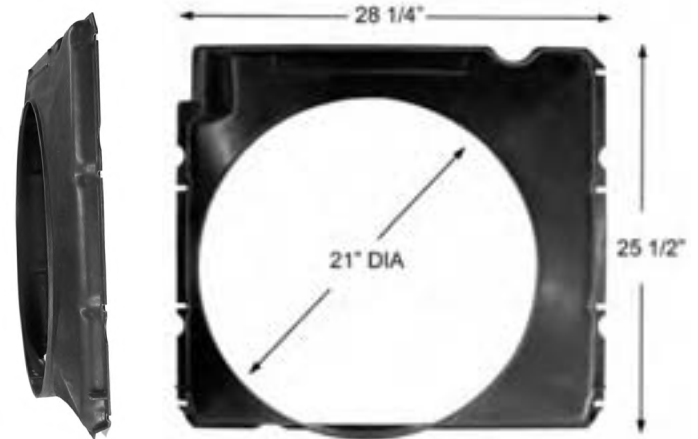
ORDER BY CASTING NUMBER IF POSSIBLE

D3TZ-8146-C	Fan Shroud - I.D. # - D3TA-DA			120.00 ea.
1973	F100	(X/C)	360,V8	
1972	F100/250 4x2	(S/C, X/C) and 4x4 w/ or w/o A/C	360, 390,V8	
1974-75	F100	(S/C, X/C, A/C) w/ or w/o Caiff	360,V8	
1976	F100 w/ A/T	(S/C, X/C)	360,V8	
1973-74	F100 4x4	(S/C, X/C, A/C)	360,V8	
1976	F100 4x4	(S/C) M/T	360,V8	
1975-76	F150	(X/C, A/C)	360,V8	
1976	F250-350	(X/C)	360,V8	
1973-76	F350	(X/C, S/C, A/C)	390,V8	
1973-76	F250	(S/C, X/C)	390,V8	
1973-76	F100	(S/C, X/C)	390,V8	

FAN SHROUD

ORDER BY CASTING NUMBER IF POSSIBLE

D3TZ-8146-D	Fan Shroud - I.D. # - D4TA-CA or CB			120.00 ea.
1973-79	F100/350	(S/C, X/C, S/X/C, A/C)	460,V8	



S/C = Std. Cool
 X/C = Extra Cool
 S/X/C = Super Extra Cool
 A/C = Air Conditioner
KEY

FAN SHROUD

ORDER BY CASTING NUMBER IF POSSIBLE

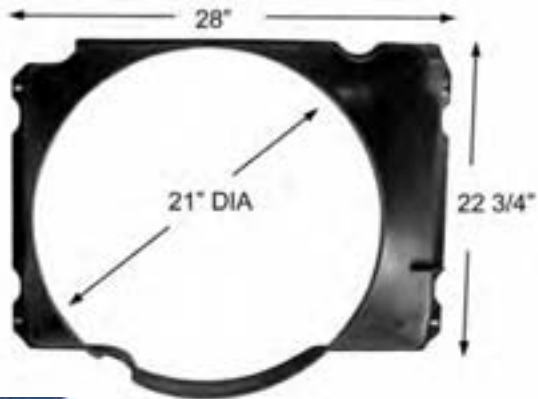
D4TZ-8146-A	Fan Shroud - I.D. # - D4TA-DB			120.00 ea.
1976	F100 w/ (A/C)		360,V8	
1975	F100 4w/d Full Time	(S/C, X/C, A/C)	360,V8	
1976	F100 4w/d	(S/C, X/C, A/C)	360,V8	
1976	F150 2w/d w/H/D Trailer towing, camper special	(X/C, A/C)	360,V8	
1977	F150 4w/d	(S/C, X/C, A/C)	360	
1976	F250 2w/d	(A/C)	360	
1976	F250 4w/d	(A/C)	360	
1976	F350	(A/C)	360,V8	
1976	F100	(A/C)	390,V8	
1976	F150 A/T	(S/C, X/C, A/C)	390,V8	
1976	F350 A/T w/ Trailer Towing	(S/C, X/C, A/C)	390,V8	



FAN SHROUD

ORDER BY CASTING NUMBER IF POSSIBLE

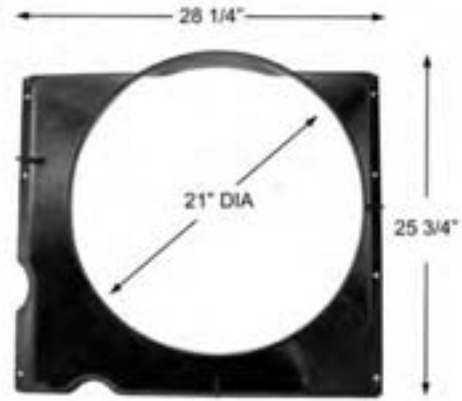
D7TZ-8146-A	Fan Shroud - I.D. # - D7TA-AA	120.00 ea.
1977-79	F150-350 w/ A/T, M/T trans	(S/C, X/C) 351,400m,V8



FAN SHROUD

ORDER BY CASTING NUMBER IF POSSIBLE

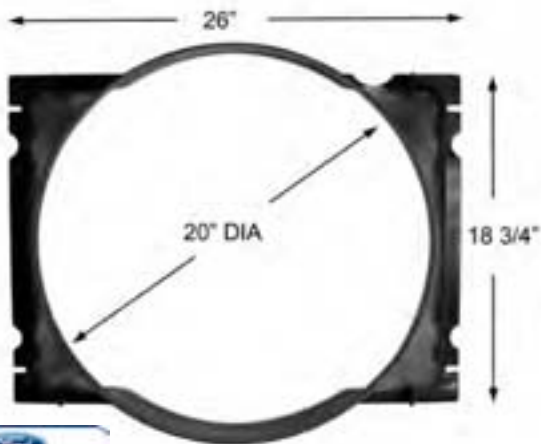
D7TZ-8146-D	Fan Shroud - I.D. # - D7TA-SA	120.00 ea.
1977-79	F100/350	(S/X/C) 351,400m,V8



FAN SHROUD

ORDER BY CASTING NUMBER IF POSSIBLE

D8TZ-8146-B	Fan Shroud - I.D.# - D8TA-BA	120.00 ea.
1978-79	F100/150	(S/C, X/C) 302,V8



S/C = Std. Cool
 X/C = Extra Cool
 S/X/C = Super Extra Cool
 A/C = Air Conditioner
KEY

FAN SHROUD

ORDER BY CASTING NUMBER IF POSSIBLE

D7TZ-8146-C	Fan Shroud - I.D. # - D7TA-RA, RB,D8TA-DA	Coming
1977-79	F100/350	(S/X/S, A/C) 300 6 cyl.

TEMP. CONTROL SWITCH & SENDER

PART #	PIC	DESCRIPTION	MODEL	YEAR	PRICE
D5ZZ-8A564-A	(A)	Coolant Temperature Control Vacuum Switch	All	74-89	16.50 ea.



A

BY PASS HOSE

PART #	PIC	DESCRIPTION	MODEL	YEAR	PRICE
D00Z-8597-B	(B)	- 8 cyl. - 302	F100	73-79	12.50 ea.



B

THERMOSTATS

PART #	PIC	DESCRIPTION	MODEL	YEAR	PRICE
--------	-----	-------------	-------	------	-------

GASKETS NOT INCLUDED W/ THERMOSTATS. SOLD SEPERATELY.

1BA-8575-A	(C)	Thermostat 6 & 8 cylinder, 240, 300, 302, 360, 390, 460	F100/350	67-79	5.00 ea.
1BA-8575-B		- 160o	F100/350	67-79	5.00 ea.
D4PZ-8575-A		- 180o	F100/350	64-79	3.00 ea.
C2AZ-8575-A		Thermostat - 8 cyl - 352		67	6.00 ea.
C2AZ-8575-B		- 160o		67	6.00 ea.
C9AZ-8255-A	(D)	Thermostat Gasket	F100/350	67-79	3.00 ea.
D1PZ-8255-A		240,300,302	F100/350	67-76	3.00 ea.
C8SZ-8255-A		360,390	F100/350	77-79	3.00 ea.
C8SZ-8255-A		351,400	F100/350	73-79	3.00 ea.



C



D

WATER PUMPS - 6 CYLINDER

PART #	PIC	DESCRIPTION	MODEL	YEAR	PRICE
--------	-----	-------------	-------	------	-------

INCLUDES GASKETS

D2AZ-8501-AN		6 cyl. 240 & 300 Without Thermactor Emission	F100/350	67-77	70.00 ea.
D5TZ-8501-BN	(E)	6 cyl. 300 - w/ or w/o Thermactor Emission	F100	74-79	75.00 ea.



E

WATER PUMPS - 8 CYLINDER

PART #	PIC	DESCRIPTION	MODEL	YEAR	PRICE
--------	-----	-------------	-------	------	-------

INCLUDES GASKETS

D00Z-8501-CN	(F)	8 cyl. 302	F100/150	69-79	70.00 ea.
D0AZ-8501-DN		8 cyl. 360 & 390 - Replacement	F100/350	67-76	100.00 ea.
D0AZ-8501-DR		Water Pump - Rebuilt V-8 360, 390 - w/ cast # & Ford Script - Original Ford	F100/350	67-76	100.00 ea.
D6AZ-8501-AN		8 cyl. 351M & 400	F100/350	77-79	80.00 ea.
D2VY-8501-CN		8 cyl. 8 cyl. 460	F100/350	73-79	80.00 ea.



F

TEMPERATURE SENDING UNIT

PART #	PIC	DESCRIPTION	MODEL	YEAR	PRICE
--------	-----	-------------	-------	------	-------

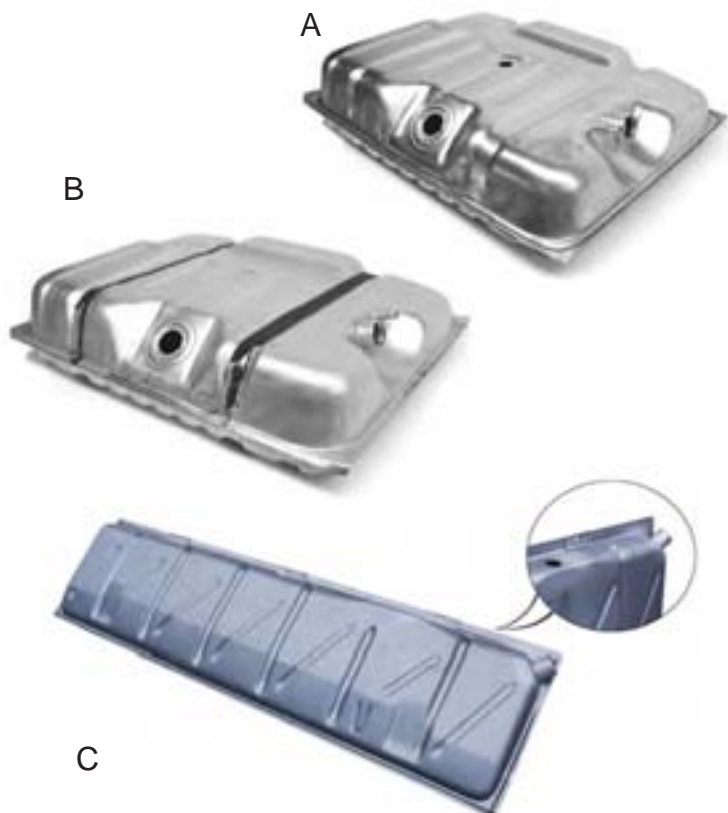
D0ZZ-10884-A		Temperature Sending Unit - In Block			35.00 ea.
			F100,V8	1970-72	
			All	1973-79	



GAS TANK

GAS TANKS

PART #	PIC	DESCRIPTION	MODEL	YEAR	PRICE
Aft Axle Gas Tank (26-1/2"x34-1/2"x7-1/2). Check dimensions for application Vent pipe is toward the front of vehicle - Will not fit Camper Special.					
D5TZ-9002-B	(A)	- w/ emission hole	F100/350	73-79	190.00 ea.
D8TZ-9002-M	(B)	- w/o emission hole	F100/350	73-79	175.00 ea.
D0TZ-9002-A	(C)	18.5 gal.	F100/350	61-70	300.00 ea.
D1TZ-9002-A		18.5 gal.	F100/350	71-72	300.00 ea.



GAS CAPS

PART #	PIC	DESCRIPTION	MODEL	YEAR	PRICE
8A-9030	(F)	- Stainless Steel - Vented	F100/350	67-70	7.00 ea.
D1PZ-9030-K	(G)	- Chrome	F100/350	71-72	8.00 ea.
D4TZ-9030-A	(H)	- Replacement - Styleside - Aft. Tank	F150-250	73-76	8.00 ea.
D8TZ-9030-B	(I)	- Locking Type - Replacement - Styleside & Flareside - All Tanks	F100/350	77-78	17.00 ea.
01A-18416-A	(Z)	- Locking Type - Chrome	F100/250	51-70	40.00 ea.



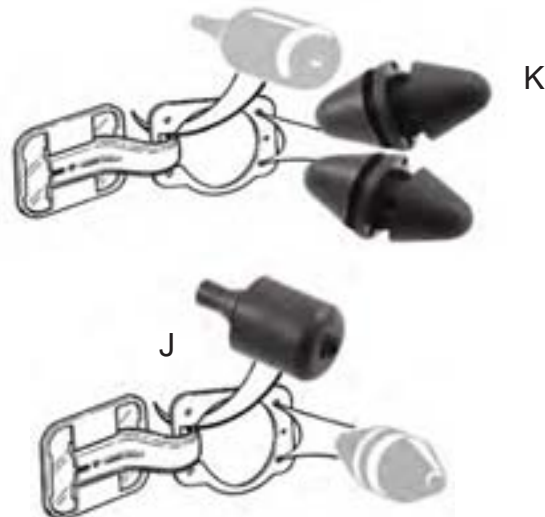
GAS TANK SLUSHING COMPOUND

PART #	PIC	DESCRIPTION	PRICE
GTS-9000	(D)	<u>Gas Tank Slushing Compound</u> - Prevents rust & seals small leaks	30.00 qt.
3706-0033	(E)	<u>Star Tron Fuel Treatment - 8 oz.</u> - Treats up to 48 gallons - Cures Ethanol (E-10) problems - Stabilizes, rejuvenates stale fuel - Removes gum and varnish	9.00 ea.



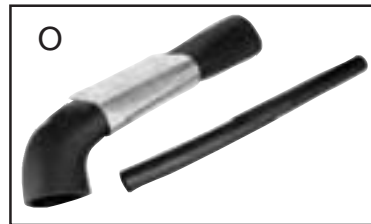
GAS TANK DOOR BUMPERS

PART #	PIC	DESCRIPTION	MODEL	YEAR	PRICE
379366-S	(J)	<u>Gas Filler Door Hinge Bumper</u> - On Door	F100/350	77-79	4.00 ea.
378437-S	(K)	<u>Gas Filler Door Bumpers</u> - On Body	F100/350	77-79	5.00 pr.



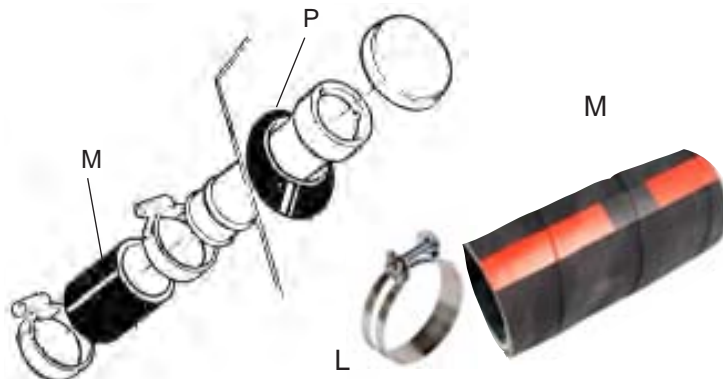
GAS TANK FILLER PIPE PARTS

PART #	PIC	DESCRIPTION	MODEL	YEAR	PRICE
<u>Gas Tank Filler Hose</u> -w/o emissions hole on tank					
D5TZ-9047-A	(N)	- w/ Aft Axle Tank	F100/350	75-78	50.00 ea.
D5TZ-9047-D	(O)	- w/ Midship Fuel Tank	F100/350	73-78	50.00 ea.



GAS TANK FILLER PIPE PARTS

PART #	PIC	DESCRIPTION	MODEL	YEAR	PRICE
B-8287	(L)	<u>Gas Tank Connection Hose Clamp</u> - need (2) - 2 1/8 O.D.	F100/750	67-72	1.50 ea.
78-9047	(M)	<u>Gas Tank to Filler Pipe Hose</u> - with in cab tank	F100/350	67-77	10.00 ea.
<u>Gas Tank Neck Grommet</u>					
C7TZ-9080-A		- in Cab Tank	F100/750	67-69	10.00 ea.
D0TZ-9080-B		- in Cab Tank	F100/750	70-72	10.00 ea.
D3TZ-9080-B	(P)	- with in cab tank	F100/500	75-77	10.00 ea.
D3TZ-9080-B	(P)	- with in cab tank	F250-350	73-74	10.00 ea.
D7TZ-9080-A		- For single or duel tanks	F100/350	77-79	15.00 ea.
D0TZ-9080-A		<u>Gas Tank Neck Grommet</u> - Style Side - w/ 25 gal. auxiliary - under cab fuel tank	F100/250	70-72	12.00 ea.



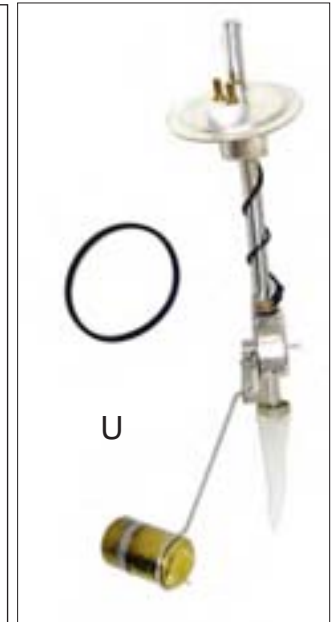
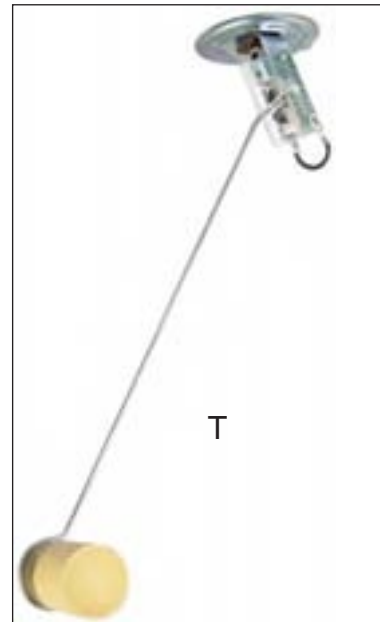
GAS TANK SELECTOR PARTS

PART #	PIC	DESCRIPTION	MODEL	YEAR	PRICE
<u>Gas Tank Selector Parts</u>					
D3TZ-9A050-B	(Q)	- Aux. Fuel Tank Switch	F100/1100	67-72	25.00 ea.
C1TZ-9A389-A	(R)	- Gas Aux. Switch Bezel Nut	F100/750	70-72	7.50 ea.



GAS TANK SENDING UNIT

PART #	PIC	DESCRIPTION	MODEL	YEAR	PRICE
C1TZ-9275-K	(T)	<u>Gas Tank Sending Unit</u> - w/ In Cab Tank w/Gasket & Float	F100/500 F100/750	73-77 67-72	50.00 ea.
D7TZ-9275-D	(U)	<u>Gas Tank Sending Unit</u> w/ Aft Steel Tank - ID #D3TFAA, D7TFDA - w/ Gasket & Float	F100/350	73-79	75.00 ea.



GAS TANK SENDING UNIT PARTS

PART #	PIC	DESCRIPTION	MODEL	YEAR	PRICE
68-9275-S	(S)	<u>Gas Tank Sending Unit Float</u> - New Solid Design	F100/350	48-79	5.00 ea.
<u>Gas Tank Sending Unit Sock Filter</u>					
D1FZ-9A011-A		- 5/16" hole		62-up	10.00 ea.
D1AZ-9A011-A		- 3/8" hole		62-up	10.00 ea.
C1TF-9276-B	(V)	<u>Gas Tank Sending Unit Gasket</u> - 2 11/16" dia, 3/16" dis 5 holes w/ in cab tank	F100/350	61-77	3.00 ea.



Special Design Float
Will never leak
as originals
do

FUEL PUMP FILTER ASSEMBLY

PART #	PIC	DESCRIPTION	MODEL	YEAR	PRICE
Used on pumps w/ filter screwed to bottom of fuel pump					
C3AZ-9355-P	(A)	<u>Fuel Filter Pump Bowl</u> - w/o script	ALL	67-77	10.00 ea.
C4AZ-9365-A	(B)	<u>Fuel Pump Filter & Gasket</u>	ALL	67-77	5.00 ea.



A



B

EXHAUST RECIRCULATION VACUUM VALVE

PART #	PIC	DESCRIPTION	MODEL	YEAR	PRICE
D8TZ-9F424-A		<u>Exhaust Gas Recirculation Vacuum Load Control Valve</u> w/300 6 cyl.	F250-350	78-79	35.00 ea.



FUEL PUMP - 6 CYLINDER

PART #	PIC	DESCRIPTION	MODEL	YEAR	PRICE
C3AZ-9350-V		- w/ in Cab Tank - 6 cyl. 240 - w/ in Cab Tank - 6 cyl. 300 - w/ in Cab Tank - 6 cyl. 300	F100 F100/250 F100/350	74 74-76 77	65.00 ea.
C3AZ-9350-Y		<u>Fuel Pump & Filter Assy.</u> - 6 cylinder - 240, 300	F100/350	67-72	60.00 ea.
D7TZ-9350-D		- 6 cyl. w/300	F100/350	77-79	25.00 ea.

FUEL PUMP - 8 CYLINDER

PART #	PIC	DESCRIPTION	MODEL	YEAR	PRICE
C50Z-9350-A	(C)	<u>Fuel Pump & Filter Assy.</u> - 8 cylinder - 302		69	60.00 ea.
D0TZ-9350-A		- 8 cylinder - 360, 390		70-72	40.00 ea.
D4TZ-9350-B		- 8 cyl. 360 & 390 - w/ in Cab Tank	F100/250	73-76	30.00 ea.



C

FUEL LINES - PRE BENT

PART #	PIC	DESCRIPTION	YEAR	PRICE
C7TZ-9282-CAB		<u>Steel Fuel Line</u> - Pre Bent - F100 - V8 - Top of tank to Cab Corner	67-72	30.00 ea.
C7TZ-9282		<u>Steel Fuel Line</u> - Pre Bent - F100 - V8 - Back of Cab to Firewall	67-72	50.00 ea.
D3TZ-9282		<u>Steel Fuel Line - 3/8" - Big Block</u> - Pre Bent - F100, 2WD - Four aft tank - 2 piece	73-74	80.00 ea.
D3TZ-9282-S		<u>Steel Fuel Line - 5/16" - Small Block</u> - Pre Bent - F100, 2WD - Four aft tank - 2 piece	73-74	80.00 ea.
D7TZ-9282-TF		<u>Steel Fuel Line - 3/8"</u> - <u>Tank to Center of Frame</u> - Pre Bent - F100, 2WD - Short Bed - Four aft tank - 2 piece - goes THROUGH frame	77-79	80.00 ea.
D7TZ-9282-OF		<u>Steel Fuel Line - 3/8"</u> - <u>Center of Frame to Firewall</u> - Pre Bent - F100, 2WD - Short Bed - Four aft tank - 2 piece - goes OVER frame	77-79	80.00 ea.

FUEL VAPOR LINES - PRE BENT

PART #	PIC	DESCRIPTION	YEAR	PRICE
D3TZ-9D673-V		Fuel Vapor Line - 5/16" - Pre Bent - F100 - 2WD - Cannister to Tank - 2 piece	73-74	80.00 ea.
D7TZ-9D673-V		Fuel Vapor Line - 3/4" - Pre Bent - F100 - 2WD - Cannister to Tank - 2 piece	77-79	80.00 ea.

CARBURETOR REPAIR KITS

PART #	PIC	DESCRIPTION	MODEL	YEAR	PRICE
C80Z-9A586-D		- Ford - 6 cylinder - 240,300		67-72	25.00 ea.
D0DZ-9A586-B	(F)	- Carter - 6 cyl. 240, 300		73-78	18.00 ea.



CARBURETOR REPAIR KITS

PART #	PIC	DESCRIPTION	MODEL	YEAR	PRICE
C20Z-9590	(G)	- Ford - 8 cyl. 2-barrel - Model 2100		67-75	19.50 ea.
D9PZ-9A586-N	(H)	- Ford - 8 cyl. 2-barrel - Model 2150		74-79	24.00 ea.



AIR CLEANER

PART #	PIC	DESCRIPTION	MODEL	YEAR	PRICE
358871-S	(I)	<u>Air Cleaner Wing Nut</u> - 1/4" x20 thread - Fits: All that use wing nut	ALL	67-79	2.00 ea.
C3AZ-9601-B	(J)	<u>Air Cleaner Filter - 8 cyl. 352</u> - 9 3/4" ODx 7 1/4" ID x2 3/8 HT	F100/350	65-67	12.00 ea.
		<u>Carburetor Air Cleaner Element</u>			
D2AZ-9601-A	(J)	- 8 cyl. 302 - 8 cyl. 351 & 400	F100 F100/150	72-78 72-78	7.50 ea.
C9UZ-9652-A	(K)	<u>Carburetor Air Cleaner Intake Tube -2" I.D.x 18" long</u>	F100/350	73-79	20.00 ea.
C8AZ-9673	(L)	<u>Air Cleaner Top Cover Seal - cut to fit</u>	F100/350	68-79	4.00 ea.



CARBURETOR RELATED PARTS

PART #	PIC	DESCRIPTION	MODEL	YEAR	PRICE
C4TZ-9D563-A	(E)	<u>Choke Plate Adjusting Swivel - 352 V8</u>	F100/350	65-72	5.00 ea.
D9SZ-9S520-A		Carburetor Dashpot/Solenoid - w/351M/400	F100/350	78-81	40.00 ea.



CHOKE CABLE ASSEMBLY

PART #	PIC	DESCRIPTION	MODEL	YEAR	PRICE
C5TZ-9700-L	(M)	<u>Choke Cable & Bezel</u> - Cut to length - No Knob	F100/750	61-69	25.00 ea.
C8UZ-17513-A	(N)	<u>Choke Knob</u>	F100/750	68-72	12.50 ea.



ACCELERATOR CABLES

PART #	PIC	DESCRIPTION	MODEL	YEAR	PRICE
D7TZ-9A758-A		<u>Accelerator Pedal to Carb.</u> <u>Throttle Cable Assembly</u> - w/300 6 cyl. -24" L	F100/350	74-79	85.00 ea.
D9TZ-9A758-A		- w/302,351M,400M,V8 -13.5" L	F100/350	79	35.00 ea.

ACCELERATOR PEDAL

PART #	PIC	DESCRIPTION	MODEL	YEAR	PRICE
D4TZ-9725-AA		<u>Accelerator Swivel &</u> <u>Bracket Assembly</u>	F350-500	73-77	20.00 ea.
C5ZZ-9735-R	(O)	<u>Accelerator Pedal</u> - before ser#P60,001	F100/350	67-72	10.00 ea.
C80Z-9735-B	(O)	F100/350	73-79	12.50 ea.
	(P)	<u>Accelerator Pedal to Shaft</u> <u>Spring</u>			
C5ZZ-9760-B		- before Serial #P60,001	F100/350	67-72	3.00 ea.
D3TZ-9760-C		- after Serial #P60-001	F100/350	72-74	36.00 ea.
D3TZ-9760-C		F100/350	78-79	36.00 ea.
380503-S	(Q)	<u>Accelerator Pedal to</u> <u>Shaft Screw</u>	F100/350	67-72	5.00 ea.



ALTERNATOR RELATED PARTS

PART #	PIC	DESCRIPTION	MODEL	YEAR	PRICE
DOOZ-10156-A D4AZ-10156-A	(A)	<u>Alternator Bracket</u> - for 302, 351W, 351C V8 - 302 V8	F100/250	70-72 74-79	20.00 ea. 10.00 ea.
C3SZ-10316-B	(B)	<u>Alternator Regulator</u> - Except Transistorized	Truck	67-79	38.00 ea.
D7TZ-10317-C	(C)	<u>Alternator Splash Shield</u> - 3 hole mount on RH Inner Fender	F100/350	75-78	17.50 ea.
C5DZ-10335-A	(D)	<u>Alternator Rotor Assy.</u> Fits; Motorcraft alternators 38,40,42,45,55,60,61,65 amp	Truck	65-79	25.00 ea.

C



B



A

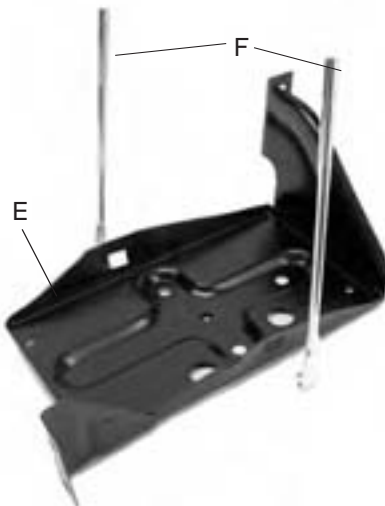


D



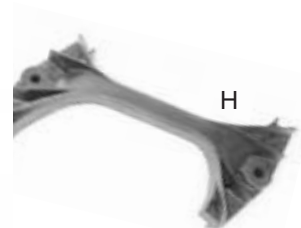
BATTERY TRAY PARTS

PART #	PIC	DESCRIPTION	MODEL	YEAR	PRICE
C7TZ-10A691-A		<u>Battery Hold Down Side Brackets</u>	F100/350	67-74	10.00 ea.
C7TZ-10732-J	(E)	<u>Battery Tray - RH</u>	F100/350	67-79	35.00 ea.
D0AZ-10756-A D7AZ-10756-A	(F)	<u>Battery Tray Hold Down Bolt -</u> (2) per truck - (2) per truck	F100/350 F100/350	67-76 77-79	6.00 ea. 5.00 ea.
D0DZ-10718-A D4MY-10718-A	(G) (H)	<u>Battery Hold Down Clamp</u> - Black Plastic - Black Plastic	F100/350 F100/350	67-72 73-79	10.00 ea. 12.50 ea.

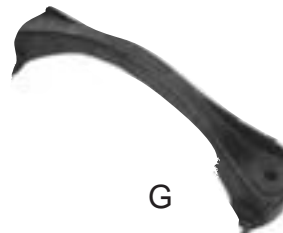


F

H



G



STARTER SOLENOID

PART #	PIC	DESCRIPTION	MODEL	YEAR	PRICE
B6A-11450-A		<u>Starter Solenoid Before Serial # BE0.001</u> - Aftermarket	F100/500	67-79	15.00 ea.



I

DISTRIBUTOR

IGNITION TUNE-UP KITS

PART #	PIC	DESCRIPTION	ENGINE	YEAR	PRICE
- Tune-up Kits includes points, condenser, & rotor					
A7A-12000-B		- 6 cylinder	240 & 300	67-69	10.00 ea.
C5AZ-12000-D		- 6 cylinder	240 & 300	69-75	20.00 ea.
C0TZ-12000-A	(A)	- 8 cylinder	All 8 cyl.	67-74	20.00 ea.



DISTRIBUTOR CAP

PART #	PIC	DESCRIPTION	MODEL	YEAR	PRICE
7HA-12106	(D)	Distributor Cap - 6 cylinder	240 & 300	67-75	15.00 ea.
D5DZ-12106-A		Distributor Cap - 6 cylinder	300	74-76	12.00 ea.
D7DZ-12106-A		Distributor Cap - 6 cylinder	300	77-79	12.00 ea.
B7A-12106	(E)	Distributor Cap - 8 cylinder		67-74	10.00 ea.
<u>Distributor Cap</u>					
B7A-12106		- Black - 8 cylinder		74-76	10.00 ea.
D5AZ-12106-A		- Grey - 8 cylinder		74-76	12.00 ea.
D7AZ-12106-A		- Grey - 8 cylinder		77-79	15.00 ea.



IGNITION ROTOR

PART #	PIC	DESCRIPTION	MODEL	YEAR	PRICE
FAA-12200-B	(B)	Ignition Rotor - 6 cylinder	240 & 300	67-69	3.00 ea.
C5TZ-12200-A		Ignition Rotor - 6 cylinder	240 & 300	69-76	2.50 ea.
D7DZ-12200-A		Ignition Rotor - 6 cylinder	300	77-79	2.25 ea.
B7A-12200	(C)	Ignition Rotor - 8 cylinder	All 8 cyl.	67-74	5.00 ea.
B7A-12200		Ignition Rotor - 8 cylinder		74-76	5.00 ea.
D7AZ-12200-A		Ignition Rotor - 8 cylinder		77-79	2.50 ea.



IGNITION POINTS

PART #	PIC	DESCRIPTION	MODEL	YEAR	PRICE
FAA-12171-A	(F)	- 6 cylinder	240 & 300	67-69	6.00 ea.
FAA-12171-A		- 6 cylinder	240 & 300	69-72	6.00 ea.
FAA-12171-A		- 6 cylinder	240 & 300	73-75	6.00 ea.
B8Q-12171-A	(G)	- 8 cylinder	All 8 cyl.	67-74	4.00 ea.



IGNITION CONDENSER

PART #	PIC	DESCRIPTION	MODEL	YEAR	PRICE
FAB-12300-A	(H)	- 6 cylinder	240 & 300	67-69	6.00 ea.
B9AZ-12300-A		- 6 cylinder	240 & 300	69-75	6.00 ea.
B9AZ-12300-A	(I)	- 8 cylinder	All 8 cyl.	67-74	6.00 ea.



DISTRIBUTOR WIRING

PART #	PIC	DESCRIPTION	MODEL	YEAR	PRICE
C0DF12216-A	(J)	<u>Distributor Primary Lead Wire</u> - 6 cylinder	240, 300	67-69	13.00 ea.
C5TZ-12216-A		- V8 - 19" Long		57-67	5.00 ea.
7RA-12264	(K)	<u>Distributor Ground Lead</u> - 6 cylinder	240, 300	67-69	3.00 ea.



VACUUM ADVANCE

PART #	PIC	DESCRIPTION	MODEL	YEAR	PRICE
D3TZ-12370-A	(L)	- 6 cyl. 300	F100/350	73-75	20.00 ea.
D7TZ-12370-C		- w/ 302 V8	F100/250	75-79	17.50 ea.
C5AZ-12370-A	(M)	- 8 cyl.	F100/350	67-72	20.00 ea.
C8AZ-12370-A		- 8 cyl.	F100/350	67-72	20.00 ea.



SPARK PLUG WIRES

PART #	PIC	DESCRIPTION	YEAR	PRICE
C5AZ-12259-F	(N)	<u>Spark Plug Wire Set - 8 cylinder</u> 352, 360, 390 - graphic core	67-71	55.00 ea.
B6A-12297-K	(O)	<u>Separator Kit for Spark Plug Wires</u> - 4 pieces - V8	58-up	6.00 ea.



IGNITION COIL

PART #	PIC	DESCRIPTION	MODEL	YEAR	PRICE
B6A-12029	(P)	Replacement - Except transistorized ignition	ALL	67-74	35.00 ea.
B6AZ-12029	(Q)	- w/ Mustard Colored Top	ALL	56-74	40.00 ea.



Finally, an exact reproduction of the yellow top coil with a real yellow top, not just painted yellow. EXACT yellow color as the original. Made by a very reputable coil manufacturing company using our tooling. Each one is performance tested on special testing equipment before final packaging.

ELECTRONIC IGNITION SYSTEM

PART #	PIC	DESCRIPTION	YEAR	PRICE
NON-RETURNABLE FOR ANY REASON				
	(R)	<u>Solid State Electronic Ignition System</u> - Fits: 6 cyl. 240 & 30 all - 8 cyl. except dual points	73-74 67-74	78.00 ea. 85.00 ea.
C5AZ-12000-1261				
B7A-12000-1281				



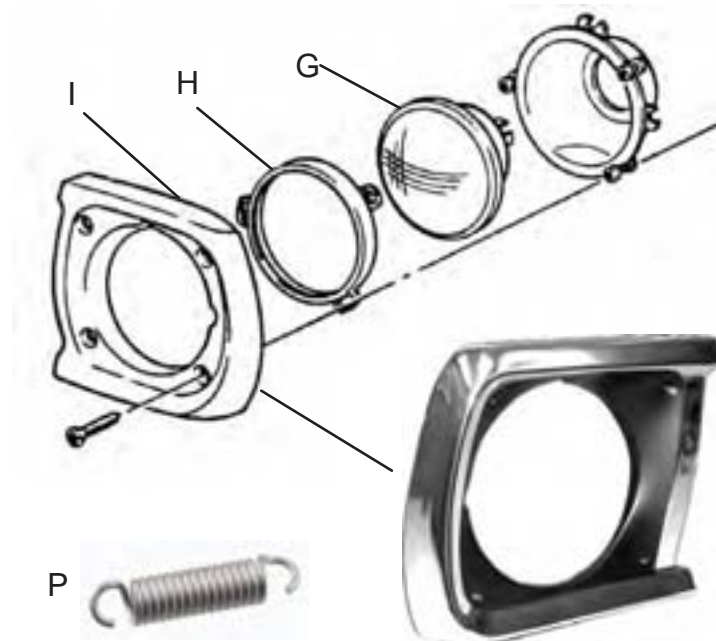
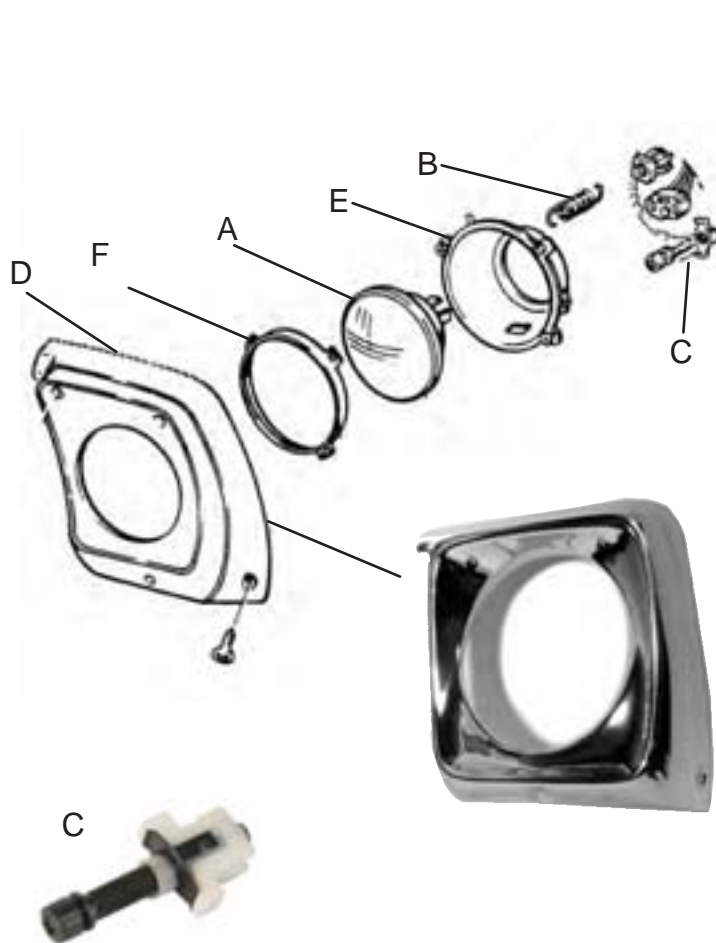
HEADLIGHTS

HEADLIGHT - 67-69

PART #	PIC	DESCRIPTION	MODEL	YEAR	PRICE
B6A-13007	(A)	Headlight Bulb - 12 volt		67-72	8.00 ea.
01A-13018-C	(F)	Headlight Bulb Retainer Ring - Stainless		67-72	10.00 ea.
C20Z-13031-A	(B)	Headlight Adjusting Ring Retainer Spring	F100/750	67-72	2.00 ea.
C7TZ-13032-B	(C)	Headlight Adjustment Screw & Clip	F100/750	67-69	3.00 ea.
C7TZ-13064-E	(D)	Headlight Door - RH			65.00 ea.
C7TZ-13064-F	(D)	Headlight Door - LH			65.00 ea.
		- Anodized Aluminum			
		- Custom Cab	F100/350	67-68	
		- Standard Cab	F100/350	69	
		- Custom Cab except Ranger	F100/350	69	
		- need to paint for 69 Ranger			
C9TZ-13118-B	(E)	Headlight Adjusting Ring - Left	F100/750	67-69	25.00 ea.
C9TZ-13119-A	(E)	Headlight Adjusting Ring - Right	F100/750	67-69	25.00 ea.

HEADLIGHT - 70-72

PART #	PIC	DESCRIPTION	MODEL	YEAR	PRICE
B6A-13007	(G)	Headlight Bulb - 12 volt		67-72	8.00 ea.
01A-13018-C	(H)	Headlight Bulb Retainer Ring - Stainless		67-72	10.00 ea.
C20Z-13031-A	(P)	Headlight Adjusting Ring Retainer Spring	F100/750	67-72	2.00 ea.
D0TZ-13064-C	(I)	Headlight Door - Right Side	F100/350	70-72	65.00 ea.
D0TZ-13064-D	(I)	Headlight Door - Left Side	F100/350	70-72	65.00 ea.
380442-S	(Q)	Headlight Door to Grill Plastic Nuts - set of (4) SHORT - inner	F100/350	70-72	2.50 set
382735-S	(R)	Headlight Door to Grill Plastic Nuts - set of (4) LONG - Outer	F100/350	70-72	2.50 set
D0ZZ-13119-A		Headlight Bucket - Left	F100/350	70-77	30.00 ea.
D0ZZ-13118-A		Headlight Bucket - Right	F100/350	70-77	30.00 ea.



Q

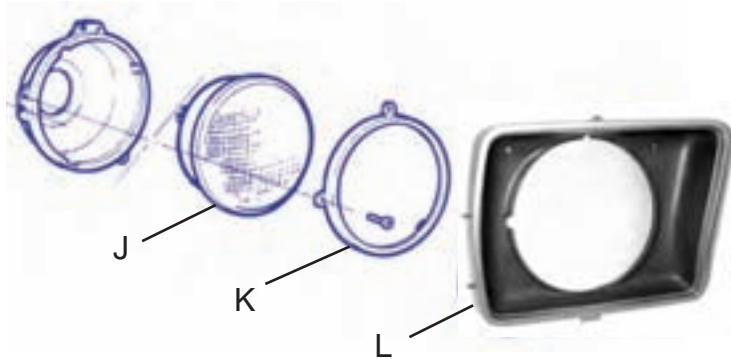


R



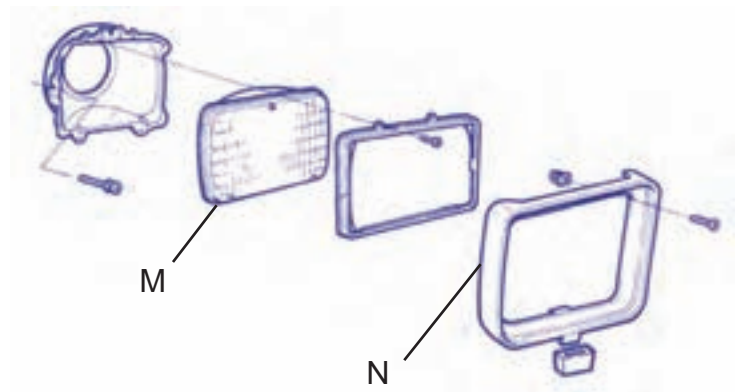
HEADLIGHT - ROUND TYPE - 73-79

PART #	PIC	DESCRIPTION	MODEL	YEAR	PRICE
B6A-13007	(J)	Headlight Bulb - 12 Volt	F100/350	73-78	8.00 ea.
01A-13018-C	(K)	Stainless Bulb Retainer Ring	F100/350	73-78	10.00 ea.
	(L)	Headlight Door - Argent			
D8TZ-13064-A		- RH	F100/350	1978	35.00 ea.
D8TZ-13064-B		- LH	F100/350	1978	35.00 ea.
D0ZZ-13031-A		Headlight Adjustment Spring - w/ Round Headlight	F100/350	73-79	2.00 ea.



HEADLIGHT - RECTANGULAR TYPE 78-79

PART #	PIC	DESCRIPTION	MODEL	YEAR	PRICE
D8BZ-13007	(M)	Headlight Bulb - 12 Volt	F100/350	78-79	12.00 ea.
	(N)	Headlight Door - Argent			
D8TZ-13064-C		- RH	F100/350	78-79	35.00 ea.
D8TZ-13064-D		- LH	F100/350	78-79	35.00 ea.
	(N)	Headlight Door - Chrome			
D8TZ-13064-E		- RH	F100/350	78-79	35.00 ea.
D8TZ-13064-F		- LH	F100/350	78-79	35.00 ea.
C6AZ-13031-C		Headlight Adjustment Spring - w/ Rectangular Headlight	F100/350	78-86	1.00 ea.



HEADLIGHT DIMMER SWITCH

PART #	PIC	DESCRIPTION	MODEL	YEAR	PRICE
B9A-13532-A	(A)	Headlight Dimmer Switch	F100/350	67-79	11.00 ea.
C5ZZ-13533	(B)	Headlight Dimmer Switch Rubber Cover	ALL		4.00 ea.



PARK LIGHT

PARK LIGHT PARTS - 67-69

PART #	PIC	DESCRIPTION	MODEL	YEAR	PRICE
	(A)	<u>Park Light Lens</u>			
C7TZ-13208-B		- RH	F100/350	67-69	20.00 ea.
C7TZ-13209-B		- LH	F100/350	67-69	20.00 ea.
C7TZ-13211-A	(B)	<u>Park Light Lens Gasket</u>	F100/350	67-69	6.00 pr.



PARK LIGHT - 73-74

PART #	PIC	DESCRIPTION	MODEL	YEAR	PRICE
D3TZ-13211-PR	(F)	<u>Park Light Lens Gasket</u>	F100/350	73-74	8.00 pr.
D3TZ-13208-A	(G)	<u>Park Light Lens - Clear</u>	F100/350	73-74	24.00 ea.
D3TZ-13200-A	(H)	<u>Park Light Lens Assembly</u> - RH or LH - New Old Stock	F100/350	73-74	40.00 ea.



PARKLIGHT - 70-72

PART #	PIC	DESCRIPTION	MODEL	YEAR	PRICE
	(C)	<u>Park Light Assembly w/ lens & wiring</u>			
D0TZ-13200-B		- RH	F100/350	70-72	60.00 ea.
D0TZ-13201-B		- LH	F100/350	70-72	60.00 ea.
D0TZ-13208-B	(D)	<u>Park Light Lens - RH</u>	F100/350	70-72	27.00 ea.
D0TZ-13209-B	(D)	<u>Park Light Lens - LH</u>	F100/350	70-72	27.00 ea.
D0TZ-13211-A		<u>Park Light Lens Gasket</u>	F100/350	70-72	6.00 pr.



PARK LIGHT ASSEMBLY - 1975-77

PART #	PIC	DESCRIPTION	MODEL	YEAR	PRICE
D5TZ-13200-A	(I)	<u>Park Light Lens Assembly</u> - RH or LH - Clear	F100/350	75-76	35.00 ea.
D6TZ-13200-A		- RH or LH - Amber	F100/350	76-77	35.00 ea.


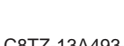


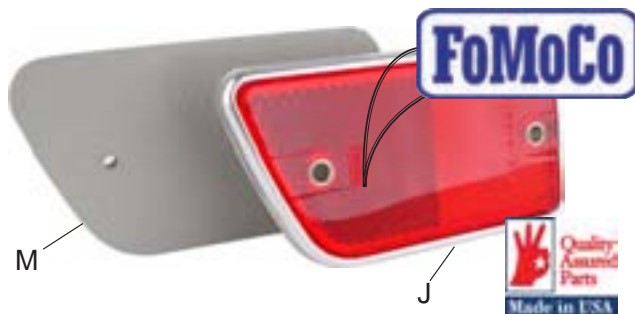
PARK LIGHT LENS ASSEMBLY - 78-79

PART #	PIC	DESCRIPTION	MODEL	YEAR	PRICE
D8TZ-13200-A		- RH	F100/350	78-79	50.00 ea.
D8TZ-13201-A		- LH	F100/350	78-79	50.00 ea.



REFLECTOR ASSEMBLY


PART #	PIC	DESCRIPTION	MODEL	YEAR	PRICE
		<u>Reflector Assembly - Red</u> - Rear Bed Side - Style Side - before ser.#F70,001			
C8TZ-13380-A		- RH only	F100/250	68-69	30.00 ea.
C8TZ-13380-B	(J)	- LH only	F100/250	68-69	30.00 ea.
		<u>Reflector Assembly - Red</u> - Below Taillight - Style side			
D0TZ-13380-A		- RH Only	F100/250	70-72	35.00 ea.
D0TZ-13380-B		- LH Only	F100/250	70-72	35.00 ea.
	(K)	<u>Reflector Assembly - Red</u> - Rear of Platform Bed - Rear Body Side -Style Side - Rear of Bed - Step Side - Rear Body Side - Step Side	F350 F100/350 F100/350 F100/350	73-75 67 67-69 67-69	25.00 ea.
C7TZ-13380-C					
	(L)	<u>Reflector Assembly - Amber</u> Front Fender Grille - Right or Left Front of Platform - Platform Front of Platform Bed	F100/350 F100/750 F100/600 F350	67 67-69 68-72 73-75	25.00 ea.
C7TZ-13380-D					
		<u>Reflector Assembly Mounting Pad</u> Style-Side Bed - RH	F100/250	68-69	15.00 ea.
C8TZ-13A493-B					
C8TZ-13A493-C	(M)	Style-Side Bed - LH	F100/250	68-69	15.00 ea.
		<u>Reflector Assembly - Red</u> - below taillight - RH	F100/250	67-69	35.00 ea.
C7TZ-13380-A					
C7TZ-13380-B		- LH	F100/250	67-79	35.00 ea.



PARK LIGHT BULBS - 67-76

PART #	PIC	DESCRIPTION	MODEL	YEAR	PRICE
C3AZ-13466-1157		<u>Front Park Light Bulb</u> -From Serial #C50,001	F100/350	67-76	1.50 ea.
B7A-13466-1157NA		<u>Front Park Light Bulb</u> - Before Serial #C50,001	F100/350	73-76	2.00 ea.

SIDE MARKER LIGHTS - ORIGINAL FORD

PART #	PIC	DESCRIPTION	MODEL	YEAR	PRICE
D3TZ-15A201-A		<u>Front Fender Side - Amber</u> - RH or LH	F100/350	73-79	35.00 ea.
	(V)	<u>Rear Bed Side - Red</u> - RH or LH - Ford Script - Style Side - Ford Script - Step Side	F100/350 F100/250	70-72 70-79	10.00 ea. 10.00 ea.
D5TZ-15A201-B					
D5TZ-15A201-B					



SIDE MARKER LIGHTS - REPLACEMENT TYPE

PART #	PIC	DESCRIPTION	MODEL	YEAR	PRICE
		<u>Rear Bed Side -Red</u> - RH & LH			
D5TZ-15A201-BR		- Non-script - Step Side	F100/250	70-79	6.00 ea.
D5TZ-15A201-BR		- Non-script - Style Side	F100/250	70-72	6.00 ea.
		<u>Side Marker Lamp</u> - Amber - RH or LH	F100/350	73-79	10.00 ea.
D3TZ-15A201-AX					
D3TZ-15A201-BX		- Red - RH or LH	F100/350	73-79	10.00 ea.

SIDE MARKER GASKETS/WIRING

PART #	PIC	DESCRIPTION	MODEL	YEAR	PRICE
D3TZ-15A447-A		<u>Gasket - Front & Rear</u> - Set of 4	F100/350	73-79	10.00 set
D0DZ-15A434-B	(X)	<u>Socket & Wiring - Plastic</u> - For Side Marker Lamps - Front & Rear	F100/350	70-79	4.00 ea.



SOCKET & WIRING - PARK/TAILLIGHT

PART #	PIC	DESCRIPTION	MODEL	YEAR	PRICE
D1FZ-13234-A		<u>Socket & Wiring - Plastic</u> - For Parking Lights & - Taillights	F100/350	75-79	8.00 ea.



TAILLIGHT

TAILLIGHT - STYLE-SIDE - 1967-72

PART #	PIC	DESCRIPTION	MODEL	YEAR	PRICE
--------	-----	-------------	-------	------	-------

All Taillight Lens include Backup Light Lens.

C7TZ-13450-E C7TZ-13450-F	(A)	Taillight Lens - Ford Script			
		- RH	F100/250	67-72	20.00 ea.
		- LH	F100/250	67-72	20.00 ea.

C7TZ-13450-EX C7TZ-13450-FX		Taillight Lens- No Ford Script			
		- RH - Replacement	F100/250	67-72	13.50 ea.
		- LH - Replacement	F100/250	67-72	13.50 ea.

C7TZ-13461-A	(B)	Taillight Lens Gasket - for above lenses	F100/250	67-72	8.00 pr.
--------------	-----	---	----------	-------	----------

C7UZ-13434-C C7UZ-13435-C		Taillight Hoses w/ Sockets			
		- RH	F100/250	67-72	42.50 ea.
		- LH	F100/250	67-72	42.50 ea.



TAILLIGHT LENS - STEP-SIDE

PART #	PIC	DESCRIPTION	MODEL	YEAR	PRICE
--------	-----	-------------	-------	------	-------

Fits Flare-Side Pickup before Serial #020,000. Square Type w/ backup light

D3TZ-13450-B D7TZ-13450-A	(E) (F)	Taillight Lens			
		- Square Type - Stepside	F100/350	73-76	15.00 ea.
		- Square Type - Stepside	F100/250	77-87	12.00 ea.

C7TZ-13461-B		Taillight Lens Gasket - Square Type - Stepside - Before Serial # 020,000	F100/250	67-77	8.00 pr.
--------------	--	--	----------	-------	----------

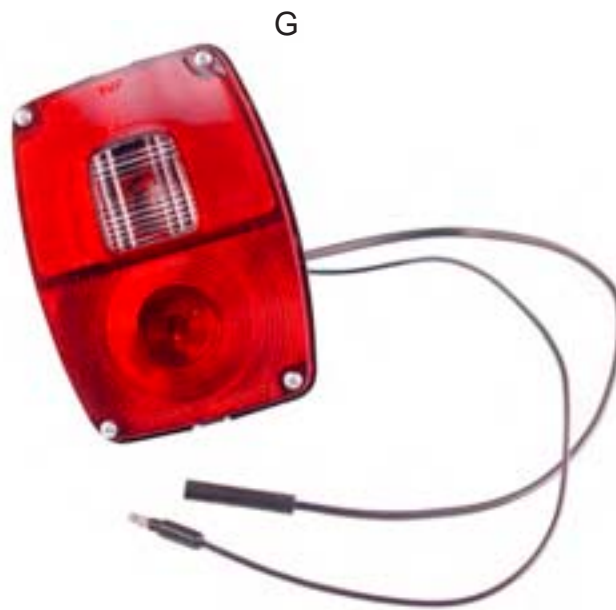


TAILLIGHT ASSEMBLY - STEP-SIDE

PART #	PIC	DESCRIPTION	MODEL	YEAR	PRICE
--------	-----	-------------	-------	------	-------

Fits Flare-Side Pickup before Serial #020,000. Square Type w/ backup light

B7C-13405-RR	(G)	Taillight Assembly	F100/250	67-79	50.00 ea.
B7C-13404-LR		- RH - Stepside	F100/250	67-79	50.00 ea.
		- LH - Stepside			



TAILLIGHT - STYLE-SIDE - 74-79

PART #	PIC	DESCRIPTION	MODEL	YEAR	PRICE
--------	-----	-------------	-------	------	-------




Taillight Assy. Fits Style-Side Pickup from Serial #T00,001.
Rectangular w/ backup light & gasket

D4TZ-13404-A D4TZ-13405-A	(C)	Taillight Assembly			
		- RH - w/o wiring	F100/350	74-79	30.00 ea.
		- LH - w/o wiring	F100/350	74-79	30.00 ea.

D3TZ-13461-A	(D)	Taillight Lens Gasket - Style-Side Pickup - Rectangular - Before Serial # T00,001	F100/350	73-74	10.00 pr.
--------------	-----	--	----------	-------	-----------



TAILLIGHT LENS RIMS - QUARTER PANEL

PART #	PIC	DESCRIPTION	MODEL	YEAR	PRICE
	(H)	For Styleside WITHOUT Tailgate Mouldings			
C7TZ-13489-A		- RH - (2) screw holes	F100/250	67-72	35.00 ea.
C7TZ-13489-B		- LH - (2) screw holes	F100/250	67-72	35.00 ea.
	(J)	For Styleside WITH Tailgate Mouldings			
C7TZ-99279A66-A		- RH - (3) screw holes	F100/250	67-72	60.00 ea.
C7TZ-99279A67-A		- LH - (3) screw holes	F100/250	67-72	60.00 ea.
		Taillight Rims Style-Side Pickup			
D3TZ-99279A66-A		- RH - (2) screw holes	F100/350	73-79	75.00 ea.
D3TZ-99279A67-A		- LH - (2) screw holes	F100/350	73-79	75.00 ea.

For Style Side without Mouldings



H

For Style Side with Mouldings



J

BACK-UP LIGHT SWITCH

PART #	PIC	DESCRIPTION	MODEL	YEAR	PRICE
C7TZ-15520-B		Back up Light Switch - 4 speed MT - Cruise-O-Matic	F100/350 P350-500 F350	67-68 67-68 67	12.50 ea.
C9TZ-15520-F	(K)	Back-Up Light Switch - 3 Speed Manual Transmission	F100/250	67-79	20.00 ea.



K

NOTE: It may be necessary to ream switch mounting hole in existing backup lamp switch mounting bracket to accommodate switch diameter.

TAILLIGHT WIRE & SOCKET

PART #	PIC	DESCRIPTION	YEAR	PRICE
B6C-13410-A	(L)	Taillight Wire & Socket Assy. - w/ molded end - for Stepside bed	65-79	15.00 ea.
BAAA-13410	(M)	Taillight End Parklight Socket & Wire Replacement - w/ double contact - for Styleside & Stepside	67-79	5.00 ea.
D1FZ-13234-A	(N)	Socket & Wiring - Plastic - For Parking Lights & Taillights	75-79	8.00 ea.



L



M

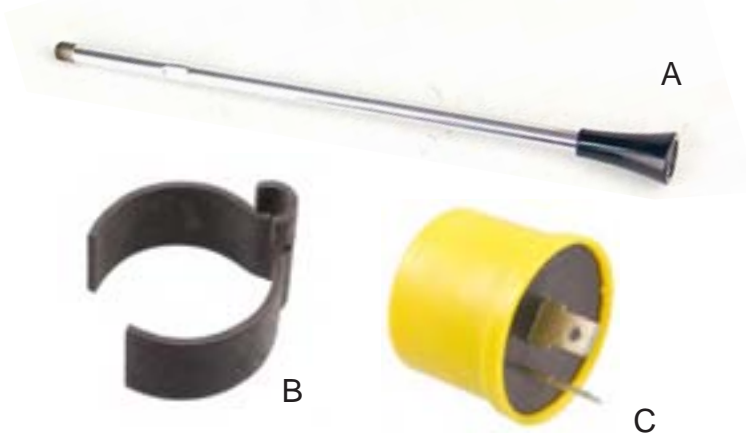


N

TURN SIGNAL

TURN SIGNAL PARTS

PART #	PIC	DESCRIPTION	MODEL	YEAR	PRICE
D3TZ-13305-B	(A)	Turn Signal Lever - Replacement - w/ Black Knob	F100/350	73-79	20.00 ea.
C7TZ-13318-A	(B)	Turn Signal Canceling Cam - Metal	F100/350 FB500-750 F100/350	68-72 67-70 73-79	10.00 ea.
C6AZ-13350-B	(C)	Turn Signal Flasher - w/ standard equipment	F100/350	73-79	7.00 ea.
C3AZ-13466-1895		Turn Signal Indicator Light Bulb	F100/350	73-76	1.00 ea.



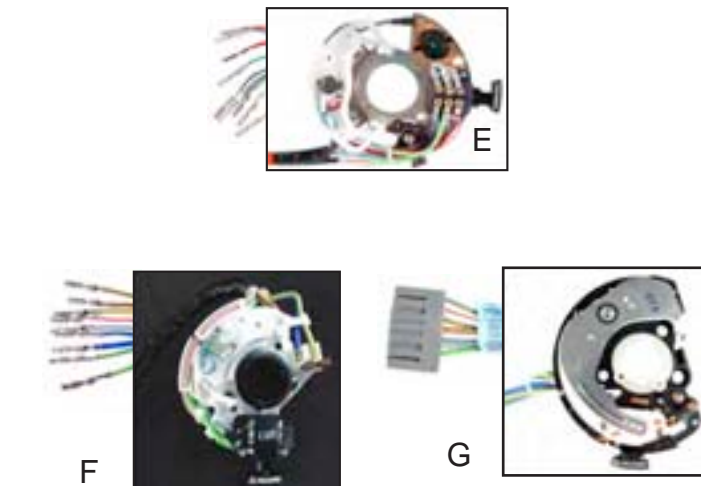
DOME LIGHT PARTS - 1967-72

PART #	PIC	DESCRIPTION	MODEL	YEAR	PRICE
C8AZ-13713-C	(H)	Dome Light Switch On Door Post	F100/350	68-72	5.00 ea.
C4TZ-13783-CC	(I)	Dome Light Lens Bezel - Chrome	F100/750	67-72	20.00 ea.
C7TZ-13786-A	(J)	Interior Dome Light Body and Socket	F100/750	67-72	25.00 ea.
B6A-13730-1003		Dome Light Bulb		67	1.50 ea.
C3SZ-13466-1004		Dome Light Bulb		68-69	1.50 ea.
DOAZ-13466-105		Dome Light Bulb		70-72	2.75 ea.



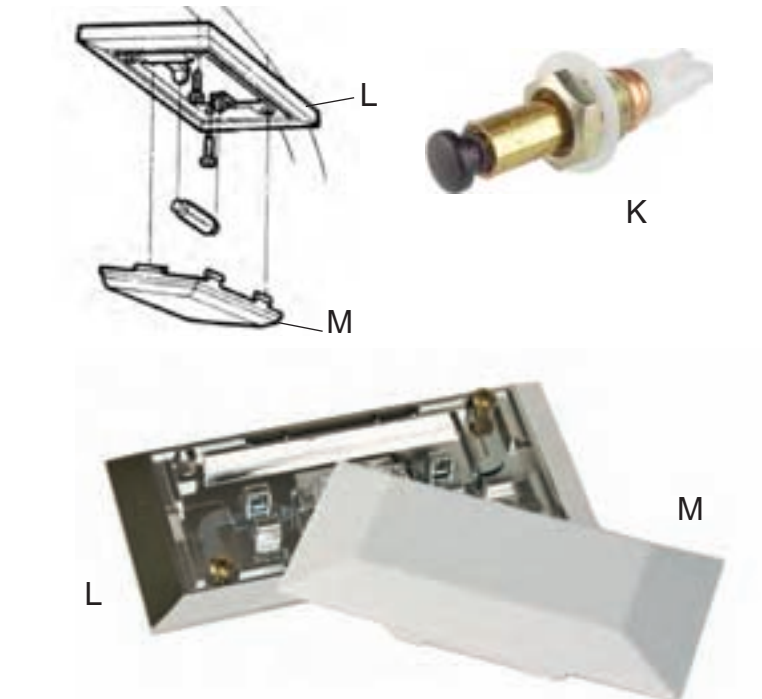
TURN SIGNAL SWITCH

PART #	PIC	DESCRIPTION	MODEL	YEAR	PRICE
C9TZ-13341-C		- Before Ser.#G30,001	F100/350	67-69	30.00 ea.
D0TZ-13341-B		- From Ser.#G30,001	F100/350	69-72	30.00 ea.
D3TZ-13341-B	(E)	- AT - w/o speed control	F100/350	73-77	100.00 ea.
D8TZ-13341-A	(F)	- AT - Tilt Column	F100/350	78-79	130.00 ea.
D8TZ-13341-B	(G)	- AT - fixed steering column	F100/350	78-79	125.00 ea.



DOME LIGHT PARTS - 1973-79

PART #	PIC	DESCRIPTION	MODEL	YEAR	PRICE
D3TZ-13713-A	(K)	Dome Light Switch - Right or Left Door	F100/500	73-79	12.00 ea.
D1AZ-13788-A	(L)	Dome Light Lens Bezel - Chrome Finish	F100/500	73-79	20.00 ea.
D1AZ-13783-B	(M)	Dome Light Lens	F100/500	73-79	10.00 ea.



INTERIOR/EXTERIOR LIGHTS

LICENSE PLATE LIGHT ASSEMBLY

PART #	PIC	DESCRIPTION	MODEL	YEAR	PRICE
C9TZ-13550-A	(N)	<u>License Plate Light Assy.</u> - Rear w/ Ford Script - w/ Deluxe Chrome Bumper - Styleside	F100/250	64-72	47.50 ea.
D0TZ-13550-R	(O)	<u>Rear License Plate Lamp Assembly - Style-Side</u> - takes (2) - Before Serial # R40,001 - Replacement	F100/350	67-79	12.50 ea.
D3TZ-13550-A	(P)	<u>Rear License Plate Lamp Assembly - Style-Side</u> - takes (2) - Exact of Original	F100/250	73-79	42.50 ea.
D3AZ-13564-A	(Q)	<u>License Plate Light Cover</u> - Fits Contoured Bumper	F100/350	73-79	12.50 ea.



Q



O



P



N



LICENSE PLATE BOLTS W/ GLASS REFLECTOR

PART #	PIC	DESCRIPTION	PRICE
LP-2A	- Amber		7.00 ea.
LP-2B	- Blue		7.00 ea.
LP-2G	- Green		7.00 ea.
LP-2R	- Red		7.00 ea.



CARGO LAMP

PART #	PIC	DESCRIPTION	MODEL	YEAR	PRICE
<u>Cargo Lamp Lens</u>					
D7TZ-15550-A	(V)	Assembly from Ser. #y60,001	F100/350	77-79	47.50 ea.
C4SZ-15514-B	(R)	Before Serial # Y60,001	F100/350	67-77	20.00 ea.
<u>Cargo Lamp Lens Gasket</u>					
C4SZ-15510-B	(S)	Before Serial # Y60,001	F100/350	67-77	8.00 ea.
<u>Cargo Lamp Pad</u>					
D7TZ-13790-A		From Serial # Y60,001	F100/350	77-79	17.50 ea.
D3TZ-13790-A	(T)	Before Serial #Y60,001	F100/350	73-77	17.50 ea.
C7TZ-13790-A		- Gray Rubber	F100/350	67-72	18.50 ea.
<u>Cargo Lamp Bezel</u>					
C4SZ-15513-B		Before serial # Y60,001	F100/350	67-77	30.00 ea.
D4TZ-15443-A	(U)	<u>In Cab Cargo Lamp Switch</u>	F100/350	73-79	20.00 ea.



V



U



T



S



R

WIRING & WIRE LOOM RETAINER & CLIPS

PART #	PIC	DESCRIPTION	MODEL	YEAR	PRICE
376118-S	(W)	<u>Plastic Clip for Horn Crossover Wire to Radiator</u> - need 4 <u>Plastic Clip for Antenna Wire Lead below Glove Box</u> - need 3		67-72	1.00 ea.
C7AZ-13A506-S	(X)	<u>Wire Loom Retainer</u>	F100/500	67-79	2.00 ea.
376875-S	(Y)	<u>Plastic Tie Strap in Black</u> - 7.5" long			0.25 ea.



X



W



Y

FRONT FENDERS

FRONT FENDERS

PART #	PIC	DESCRIPTION	MODEL	YEAR	PRICE
D9TZ-16005-A	(A)	<u>Front Fender - Genuine Ford</u> - RH	F100/350	73-79	300.00 ea.
D9TZ-16005-R		<u>Front Fender - Imported</u> - RH	F100/350	73-79	150.00 ea.
D9TZ-16006-R		- LH	F100/350	73-79	150.00 ea.
D7TZ-16006-B		<u>Front Fenders</u> - LH - Ford Surplus	F500/750	73-77	350.00 ea.



A

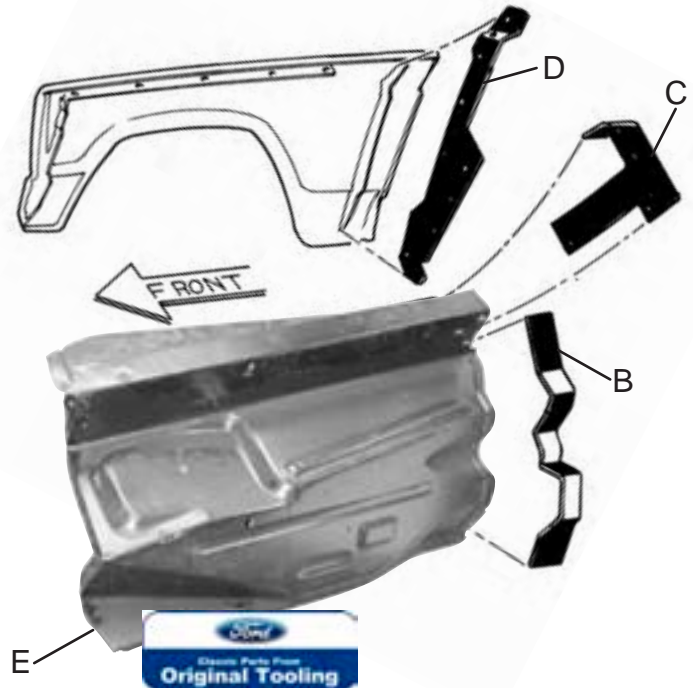
FRONT FENDER SPLASH SHIELD

PART #	PIC	DESCRIPTION	MODEL	YEAR	PRICE
D6TZ-16102-A		<u>Front Fender</u> <u>Splash Shield</u> - RH - Plastic	F100/350	76-79	150.00 ea.
D6TZ-16103-A		- LH - Plastic	F100/350	76-79	150.00 ea.



FRONT INNER FENDER & SEALS-67-72

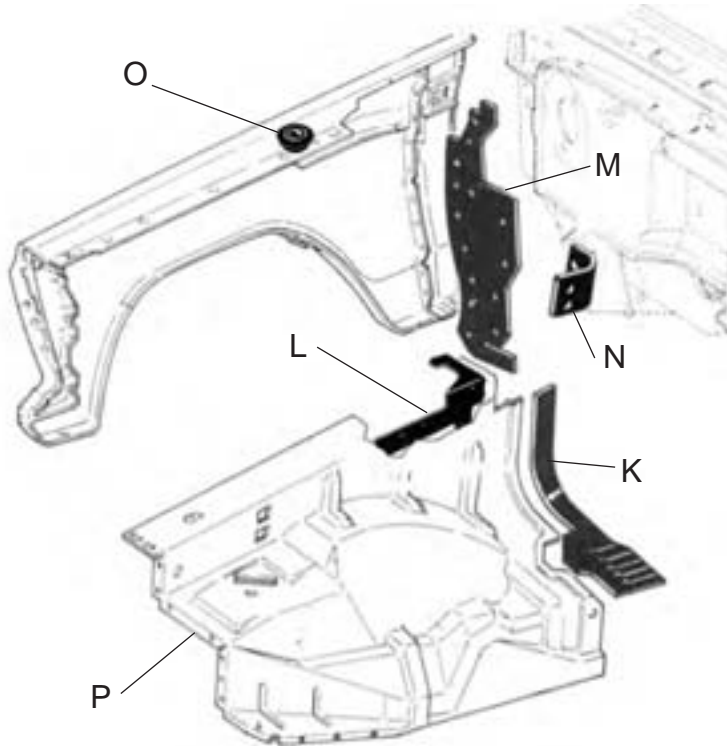
PART #	PIC	DESCRIPTION	MODEL	YEAR	PRICE
C7TZ-16A054-PR		Front Fender Apron to Cab Mount Strip	F100/350	67-79	12.00 pr.
C7TZ-16B126-PR	(B)	Front Fender Apron to Firewall Lower Seal - with staples	F100/350	67-72	12.00 pr.
C7TZ-16127-PR	(C)	Front Fender Apron to Hood Hinge Support Seal with fasteners	F100/350	67-72	12.00 pr.
C7TZ-16246-PR	(D)	Front Fender to Front of Cab Seal - With fasteners	F100/350	67-72	27.50 pr.
C7TZ-16054-A	(E)	Front Fender Inner Apron - Except Power Pack - Right	F100/350	67-72	175.00 ea.
C7TZ-16055-C		Front Fender Inner Apron - Except Power Pack - Left	F100/350	67-72	175.00 ea.



REAR FENDERS

FRONT INNER FENDER & SEALS-73-79

PART #	PIC	DESCRIPTION	MODEL	YEAR	PRICE
D3TZ-16B126-A	(K)	Front Fender Apron to Firewall Seal - Lower Right	F100/350	74-76	12.00 ea.
D3TZ-16B127-A	(L)	Front Fender Apron to Hood Hinge Seal -R & L	F100/350	74-76	12.00 pr.
D3TZ-16246-F	(M)	Front Fender to Front Body Pillar Seal -w/Clips & Plastic Fasteners	F100/350	73-77	30.00 pr.
C7TZ-16A054-PR	(N)	Front Fender Apron to Firewall Panel Strip	F100/350	67-79	12.00 pr.
376966-S	(O)	Front Fender Rear On Top Rubber Plug - 5/8" O.D.	F100/500	73-79	5.00 pr.
D5TZ-16054-B	(P)	Metal Inner Fender Panel - Imported - RH	F100/350	73-79	125.00 ea.
D5TZ-16055-B		- Imported - LH	F100/350	73-79	125.00 ea.



REAR FENDER - STEPSIDE

PART #	PIC	DESCRIPTION	MODEL	YEAR	PRICE
<i>Shipped by Motor Freight</i>					
BAAA-16312-A	(Q)	Steel Rear Fender - Step Side Only - RH	F100/250	53-79	350.00 ea.
BAAA-16313-A		- LH	F100/250	53-79	350.00 ea.

**Galvanized Steel!
Heavy Gauge!**



STEPSIDE REAR FENDER BOLTS

PART #	PIC	DESCRIPTION	MODEL	YEAR	PRICE
<i>All Rear Fender to Bed Bolt measure 5/16" x 24 x 1"</i>					
355471-S8	(R)	Rear Fender to Bed Bolt - Individual Bolt		67-79	1.00 ea.
355471-SET		- Set of (24)		67-79	20.00 set
355471-SS	(S)	Rear Fender to Bed Bolt - Individual Bolt	F100/250	67-79	2.00 ea.
355471-SSK		- Set of (24)	F100/250	67-79	40.00 set



FENDER WELT

PART #	PIC	DESCRIPTION	MODEL	YEAR	PRICE
48-16070	(T)	- Black Vinyl - 30' roll		All	20.00 ea.
48-16070-SS		- Stainless Steel - 8' lengths		All	25.00 ea.
48-16070-RR	(U)	- Rubber - 8' lengths		All	15.00 ea.



Become a Member Today!

FORD OWNER'S ASSOCIATION



FORD-BODIED FORD POWERED FORD PROVEN

This association welcomes all Fords! This is for the love and enjoyment of this great American product. What is better than owning a Ford? This is a family oriented association for all ages. Our goals are: 1) To unite individuals with diverse interests, with the common goal of enjoying their Ford vehicles under one association. 2) To serve as a common interest point of unity for members of all special interest clubs featuring Ford vehicles. 3) To provide a website with areas designated for both public and membership access to

share stories, pictures, and questions. 4) To sponsor a yearly event that will be held the same time and same place every year. 5) To provide opportunities for members to come together to enjoy these vehicles, while developing new friendships, and to concentrate on the goals of having fun and getting to know other people who enjoy their Fords. 6) To encourage people to bring their vehicles to an event that will offer display classes, which concentrate on cleanliness and workmanship.



1 Year Membership \$10.00
3 Year Membership \$25.00

FOA Membership Application

Or apply ONLINE: www.fordowners.org

NAME (please print) _____

ADDRESS _____

CITY _____

STATE _____

ZIP _____

EMAIL ADDRESS _____

VEHICLES OWNED _____

Signature _____

PHONE _____

Mail FOA Membership payment to: **Walt Simonds 4965 Peach Mt. Dr., Gainesville, GA 30507**

For More Information contact: **Walt Simonds 770-533-2747**
foa005@yahoo.com

Bill Howell 706-202-6940

HOOD

PART #	PIC	DESCRIPTION	MODEL	YEAR	PRICE
Please note there is a \$75 crating fee for this item.					
D8TZ-16612-A		- Genuine Ford LIMITED SUPPLY!	F100/350	73-79	450.00 ea.



HOOD LATCH / LOCK

PART #	PIC	DESCRIPTION	MODEL	YEAR	PRICE
C9TZ-16700-A	(E)	Hood Lock	F100/750	67-72	85.00 ea.
D5UZ-16700-A	(F)	Hood Latch Assembly - w/o key operated lock	F100/350	73-79	65.00 ea.
D3TZ-16C644-A	(G)	Hood Latch Spring	F100/350	73-79	8.00 ea.



E



F



G

HOOD HINGE

PART #	PIC	DESCRIPTION	MODEL	YEAR	PRICE
C7TZ-16796-E	(H)	Hood Hinge w/ Spring - RH	F100/350	67-72	70.00 ea.
C7TZ-16797-E		- LH	F100/350	67-72	70.00 ea.
D3TZ-16796-A		Hood Hinge w/ Spring - Imported - RH	F100/500	73-79	100.00 ea.
D3TZ-16797-A	(I)	- Original Ford - LH	F100/500	73-79	100.00 ea.
D3TZ-16789-A	(J)	Hood Hinge Spring - 2 per truck	F100/500	73-79	25.00 ea.



I



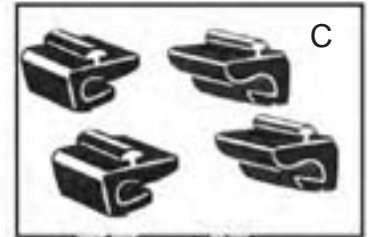
H

HOOD BUMPERS

PART #	PIC	DESCRIPTION	MODEL	YEAR	PRICE
C7TZ-16758-C	(A)	Hood Side Hood Bumper - Need (1) pair per truck	F100/750	67-69	10.00 pr.
C7TZ-16758-C		- Need (2) pair per truck	F100/750	70-72	10.00 pr.
D3TZ-16758-C	(B)	Hood Side Hood Bumpers - Set of (4)	F100/350	73-75	27.50 set
D6TZ-16758-A	(C)	- Set of (4)	F100/350	76-79	8.00 set
C7TZ-16758-D	(D)	Cowl Hood Bumper - w/o Bracket	F100/750	67-69	7.50 pr.



B



C



A



D



FIREWALL TO HOOD SEAL

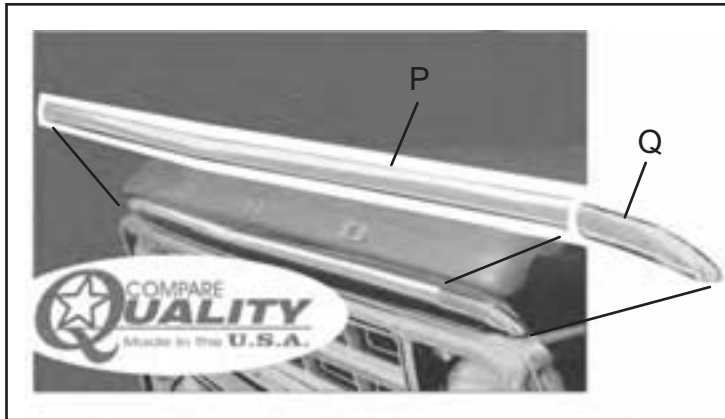
PART #	PIC	DESCRIPTION	MODEL	YEAR	PRICE
C7TZ-16740-A		- w/ Plastic Fasteners	F100/750	67	17.50 ea.
C8TZ-16740-A		- Mounting Clips Installed	F100/750	68-69	17.50 ea.
D0TZ-16740-A		- Mounting Clips Installed	F100/750	70-72	17.50 ea.
D7TZ-16740-A		- Mounting clips installed	F100/500	73-79	17.50 ea.



HOOD LETTERS

HOOD LIP MOULDING

PART #	PIC	DESCRIPTION	MODEL	YEAR	PRICE
Hood Lip Mouldings include clips.					
D0TZ-16958-B	(P)	Hood Lip Moulding - Center	F100/350	70-72	60.00 ea.
D0TZ-16856-B		- RH	F100/350	70-72	30.00 ea.
D0TZ-16857-B	(Q)	- LH	F100/350	70-72	30.00 ea.
C5TZ-16B840-A		Hood Lip Moulding Clips - need (6)	F100/350	70-72	2.00 ea.
D0TZ-16958-SET		Hood Lip Moulding Set Includes: D0TZ-16856-B - RH end D0TZ-16857-B - LH end D0TZ-16958-B - Center	F100/350	70-72	110.00 set



HOOD SIDE NAMEPLATE

PART #	PIC	DESCRIPTION	MODEL	YEAR	PRICE					
Painted with Original Reflector - Fasteners Included All are FORD Official Licensed Products										
C8TZ-16720-PR	(M)	"FORD 100"	F100	68-72	100.00 pr.					
C8TZ-16720-BPR	(N)	"FORD 250"	F250	120.00 pr.	C8TZ-16720-CPR	(O)	"FORD 350"	F350	68-72	120.00 pr.
C8TZ-16720-CPR	(O)	"FORD 350"	F350	68-72	120.00 pr.					



HOOD LETTERS "FORD"

PART #	PIC	DESCRIPTION	MODEL	YEAR	PRICE
Hood Letters Include Fasteners					
C7TZ-16606-K	(R)	- on Front of Hood	F100/750	67-69	25.00 set
D0TZ-16606-K	(S)	- on Front of Hood	F100/750	70-72	50.00 set
D9TZ-16606-K	(T)	- Front of Hood	F100/350 F500	78-79 73-77	50.00 set



HOOD ORNAMENTS

HOOD ORNAMENTS

PART #	PIC	DESCRIPTION	MODEL	YEAR	PRICE
Hood Ornament includes Hardware.					
D3TB-16850-B	(A)	- Curve Base	All	67-72	70.00 ea.
D3TB-16850-N	(T)	- Flat Base	All	73-79	70.00 ea.



HOOD ORNAMENTS - 3 LION WREATH

PART #	PIC	DESCRIPTION	MODEL	YEAR	PRICE
Chrome Plated. Includes hardware.					
<u>Vertical 3 Lion Ornament</u>					
D3AZ-16850-A	(E)	- Red background	F100/350	67-79	75.00 ea.
D6TZ-16850-A	(F)	- Brown background	F100/350	76-79	75.00 ea.
<u>Horizontal 3 Lion Ornament</u>					
D6TZ-16850-RS	(F)	- Red background	F100/350	73-79	75.00 ea.



HOOD ORNAMENTS - EXPLORER

PART #	PIC	DESCRIPTION	MODEL	YEAR	PRICE
All Explorer Hood Ornaments include Hardware.					
<u>Explorer Hood Ornament</u>					
D5TZ-16850-A	(C)	- Explorer over world	F100/350	75	75.00 ea.
D6TZ-16850-B	(D)	- Blue background	F100/350	76-77	75.00 ea.
D8TZ-16850-A	(D)	- Black background	F100/350	76-77	75.00 ea.



NAMEPLATES / EMBLEMS

NAME PLATE - FRONT FENDER

PART #	PIC	DESCRIPTION	MODEL	YEAR	PRICE
ALL INCLUDES MOUNTING HARDWARE					
D3TZ-16720-P	(A)	- Custom Cab		73-76	30.00 ea.
D4TZ-16720-A	(B)	- F100		73-76	30.00 ea.
D5TZ-16720-A	(C)	- F150		73-76	30.00 ea.
D4TZ-16720-B	(D)	- F250		73-76	30.00 ea.
D4TZ-16720-C	(E)	- F350 - Ford Licensed		73-76	30.00 ea.



Custom Cab A

F100 B **F150** C

F250 D **F350** E

NAME PLATE - COWL SIDE

PART #	PIC	DESCRIPTION	MODEL	YEAR	PRICE
ALL INCLUDES MOUNTING HARDWARE					
D7TZ-16720-BD	(F)	- "XLT"	Truck	77-79	30.00 ea.
D8TZ-16720-C	(G)	- Lariat - Chrome Plastic - w/red background		78-79	30.00 ea.
D7TZ-16720-J	(H)	- F100 Ranger		77-79	30.00 ea.
D7TZ-16720-K	(I)	- F100 Custom		77-79	30.00 ea.
D7TZ-16720-L	(J)	- F150 Ranger		77-79	30.00 ea.
D7TZ-16720-M	(K)	- F150 Custom		77-79	30.00 ea.
D7TZ-16720-N	(L)	- F250 Ranger		77-79	30.00 ea.
D7TZ-16720-P	(M)	- F250 Custom		77-79	30.00 ea.
D7TZ-16720-R		- F350 Ranger		77-79	30.00 ea.
D7TZ-16720-S	(N)	- F350 Custom		77-79	30.00 ea.



F



G



H



I



J



K



L



M




N




NAMEPLATES / EMBLEMS

NAMEPLATES - BED SIDE - 67-72

PART #	PIC	DESCRIPTION	MODEL	YEAR	PRICE
All Licensed by FORD - Triple Chrome Plated - Includes Fasteners					
					
D0TZ-9925622-A	(O)	"Ranger"	F100/250	70-72	35.00 ea.
D0TZ-9925622-B	(P)	"XLT"	F100/250	70-72	30.00 ea.
D0TZ-9925622-C	(Q)	"Sport Custom"	F100/250	70-72	50.00 ea.
D0TZ-9925622-D	(R)	"Custom"	F100/250	70-72	30.00 ea.
C7TZ-81402A16-A	(S)	- Ranger - Style-Side	F100/250	67-69	40.00 ea.



NAMEPLATES - CAB BACK PANEL SIDE

PART #	PIC	DESCRIPTION	MODEL	YEAR	PRICE
All Licensed by FORD - Triple Chrome Plated - Include Fasteners					
					
C7TZ-8140683-A	(T)	- Custom Cab - Red Paint	F100/750	67	40.00 ea.
C8TZ-8140683-A	(T)	- Custom Cab - Black paint	F100/750 F500-750	68-70 71-72	40.00 ea.



NAMEPLATES - BED SIDE - 73-79

PART #	PIC	DESCRIPTION	MODEL	YEAR	PRICE
FLEETSIDE (STYLESIDE) - Includes Mounting Hardware					
D3TZ-9925622-C	(U)	"XLT" Nameplate	F100/350	73-76	25.00 ea.
D3TZ-9925622-D	(V)	"Explorer" Nameplate	F100/350	73-78	25.00 ea.
D6TZ-9925622-A	(W)	"Custom" Nameplate	F100/350	73-79	27.50 ea.
D6TZ-9925622-B	(X)	"Ranger" Nameplate	F100/350	73-79	35.00 ea.
D5UZ-2225622-A	(Y)	"Club Wagon" Nameplate - Econoline	E-100-350	75-79	25.00 ea.



SPEEDOMETER

SPEEDOMETER CABLE

PART #	PIC	DESCRIPTION	MODEL	YEAR	PRICE
C5TZ-17260-N	(A)	Speedometer Cable & Housing - 64.80" long - 3 spd - Automatic Trans.	F100	67-72	20.00 ea.
D4TZ-17260-D		<u>3 & 4-speed trans</u> - From Serial # S00,001 - 67 1/4" long	F100/350	73-79	30.00 ea.
D3TZ-17260-C	(B)	<u>C4 & C6 Automatic trans</u> - From Serial # S00,001 - 71" long	F100/350	73-79	30.00 ea.



A



B

SPEEDOMETER CABLE

PART #	PIC	DESCRIPTION	MODEL	YEAR	PRICE
B5A-19581-A	(C)	<u>Speedometer Cable Lube</u> - Comes in tube		All	6.00 ea.

C



SPEEDOMETER CABLE

PART #	PIC	DESCRIPTION	MODEL	YEAR	PRICE
C6TZ-17261	(D)	Speedometer Cable to Firewall Seal	F100	67-72	3.50 ea.
C9MY-17303-A	(E)	<u>Speedometer Cable Rubber Seal at Trans.</u>	F100/350	67-79	5.00 ea.
B9TZ-17264-B		<u>Speedometer Cable Holddown Bracket</u> - at transmission	F100/250	59-69	4.00 ea.



D



E

SPEEDOMETER DRIVE GEAR - TRANS.

PART #	PIC	DESCRIPTION	MODEL	YEAR	PRICE
D7TZ-17285-A	(F)	<u>Speedometer Drive Gear in Trans</u> - 9 teeth - w/ 3 speed manual trans. - w/ 2.72 gear ratio	F100/250	73-79	12.00 ea.
D8TZ-17285-A		<u>Speedometer Drive Gear in Trans</u> - 6 teeth - w/ 4 Speed manual trans.	F100/350	75-79	20.00 ea.



F

SPEEDOMETER DRIVEN GEAR CLIP

PART #	PIC	DESCRIPTION	MODEL	YEAR	PRICE
C1DZ-17292-A		<u>Speedometer Driven Gear Retainer Clip</u>	F100/350	73-79	2.00 ea.

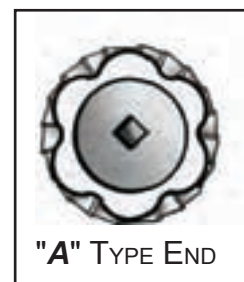
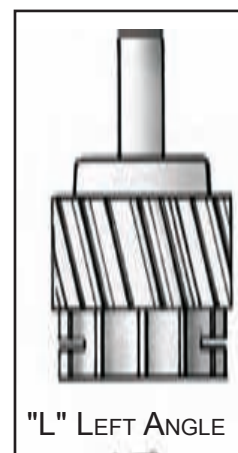
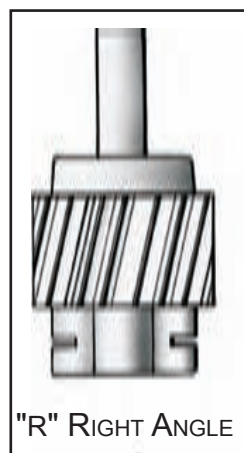


SPEEDOMETER DRIVEN GEAR

PART #	DESCRIPTION	END	ANGLE	PRICE
- 3 speed & automatic transmisson				
C0DZ-17271-A	- 16 teeth	A	R	10.00 ea.
C3DZ-17271-C	- 17 teeth	A	R	10.00 ea.
C0DD-17271-B	- 18 teeth	A	R	10.00 ea.
C7VY-17271-A	- 19 teeth	A	R	10.00 ea.
C1DZ-17271-A	- 20 teeth	A	R	10.00 ea.
C40Z-17271-A	- 21 teeth	A	R	10.00 ea.
- 4 speed transmisson				
C2DZ-17271-J	- 16 teeth	B	L	10.00 ea.
C7SZ-17271-A	- 17 teeth	B	L	10.00 ea.
C2DZ-17271-K	- 18 teeth	B	L	10.00 ea.
C4DZ-17271-A	- 19 teeth	B	L	10.00 ea.
C2DZ-17271-H	- 20 teeth	B	L	10.00 ea.
E0TZ-17271-A	- 21 teeth	B	L	10.00 ea.

NOTE:

Please check diagram below to make sure **gear angle and end** match the gear you are replacing.



REAR VIEW MIRROR - OUTSIDE

PART #	PIC	DESCRIPTION	MODEL	YEAR	PRICE
C7TZ-17696-M		Outside of Door Rear View Mirror - Rectangular Head - Fits RH or LH - w/ Pads & Screws	F100/350	67-79	70.00 ea.



Compare Our Quality
TRIPLE CHROME, LASTS LONGER

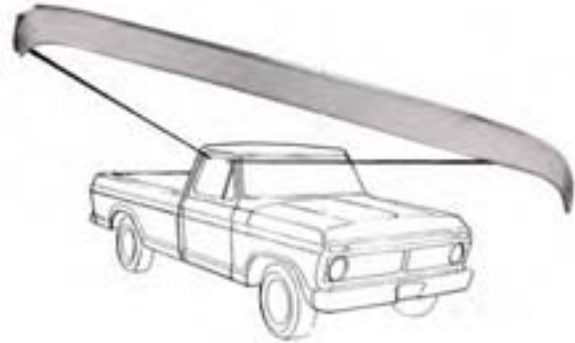
REAR VIEW MIRROR - INSIDE

PART #	PIC	DESCRIPTION	MODEL	YEAR	PRICE
D0AZ-17700-A		Inside Rear View Mirror On windshield - Day/Night	F100/350	70-86	60.00 ea.



WINDOW VENT SHADES

PART #	PIC	DESCRIPTION	MODEL	YEAR	PRICE
D3TZ-18246		- Stainless	F100/350	73-79	50.00 pr.
C7TZ-18246		- Stainless	F100/750	67-72	50.00 pr.



EXHAUST DEFLECTORS

PART #	PIC	DESCRIPTION	MODEL	YEAR	PRICE
		<u>Exhaust Deflector</u> - Stainless Steel			
51A-18529-A	(A)	- Ford Script		ALL	18.00 ea.
51A-18529-B	(B)	- V-8		ALL	18.00 ea.
51A-18529-P		- Plain		ALL	15.00 ea.



QUALITY High Grade Polished Stainless Steel
Will not rust. Lasts Forever

SHOCK ABSORBERS

PART #	PIC	DESCRIPTION	MODEL	YEAR	PRICE
C5TZ-18124-A	(C)	Front	F100/350	65-79	50.00 ea.
C5TZ-18125-C		Rear	F100	65-69	50.00 ea.
D0TZ-18125-A		Rear	F100/350	70-79	55.00 ea.



WINDSHIELD WIPERS

WIPER MOTOR

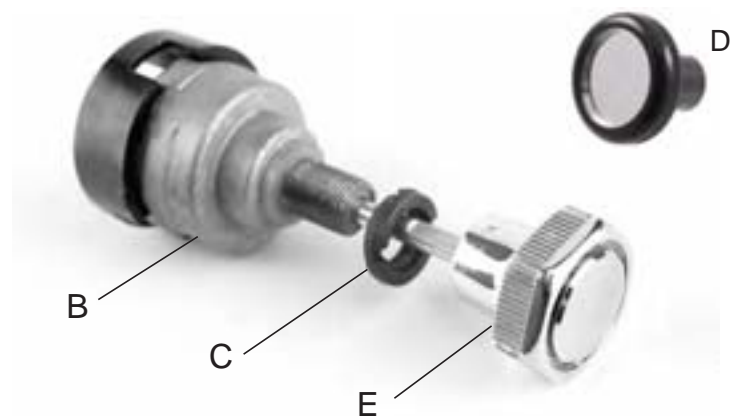
PART #	PIC	DESCRIPTION	MODEL	YEAR	PRICE
C7TZ-17508-D	(A)	Windshield Wiper Motor - 2-speed	F100/500	67-79	230.00 ea.



A

WIPER SWITCH

PART #	PIC	DESCRIPTION	MODEL	YEAR	PRICE
C1TF-10852-D		"Wiper" Bezel	F100/350	61-69	15.00 ea.
D0TZ-10852-A		"Wiper Washer" Bezel	F100/350	70-72	15.00 ea.
	(B)	Windshield Wiper & Washer Switch - for 2-spd Electric Motor	F100/750	68-72	30.00 ea.
C8UZ-17A553-A		Wiper Switch w/ Intermittent Wipers	F100/350	73-79	85.00 ea.
	(C)	Windshield Wiper Switch Control Nut			
D3TZ-17512-A		- Regular	F100/350	67-79	8.00 ea.
D7TZ-17512-A		- Chrome	F100/350	67-79	8.00 ea.
C8UZ-17513-A	(D)	Wiper Knob - Can also be used on Emergency Flasher, Choke Knobs	F100/750	68-72	12.50 ea.
D30Z-17513-B	(E)	Wiper Switch Knob	F100/350	73-79	10.00 ea.



B

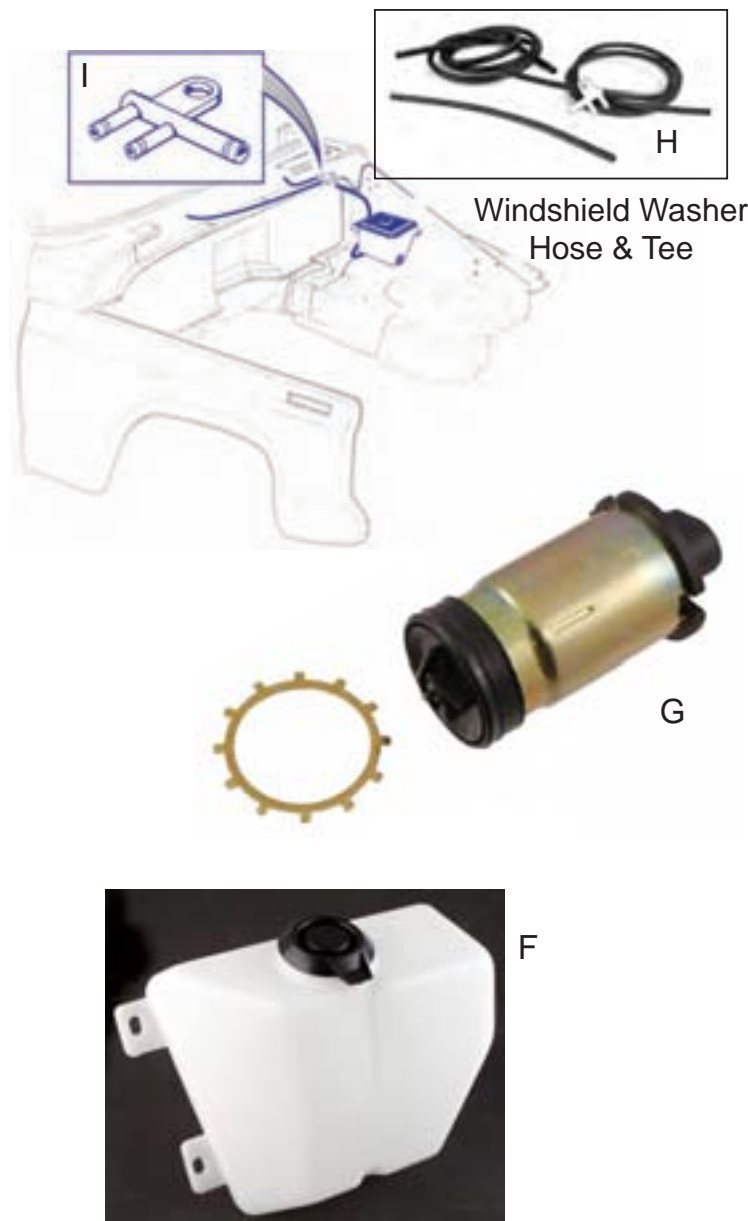
C

E

D

WINDSHIELD WASHER PARTS

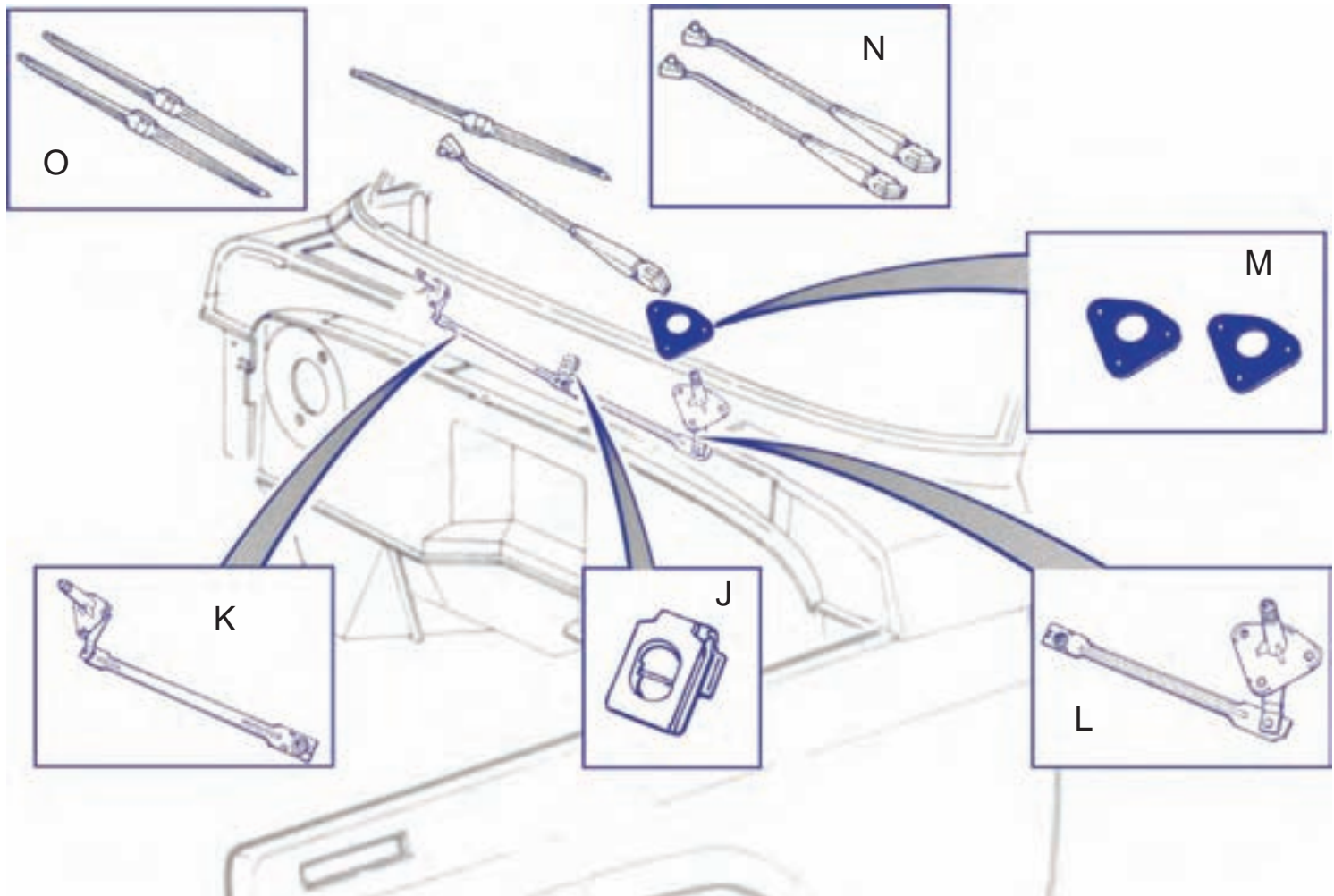
PART #	PIC	DESCRIPTION	MODEL	YEAR	PRICE
	(F)	Windshield Washer Reservoir & Cap			
C8TZ-17618-A		- except power pack	F100/350	68-70	25.00 ea.
D1TZ-17618-B		- except power pack	F100/350	71-79	30.00 ea.
		Windshield Washer Reservoir Cap			
B8S-17632-A		F100/350	65-67	5.00 ea.
C7AZ-17632-A		- fits C8TZ-17618-A jug	F100/350	68-70	3.00 ea.
		Windshield Washer Pump			
C8SZ-17664-A		F100/350	68-70	40.00 ea.
C9AZ-17664-A	(G)	F100/350	71-79	15.00 ea.
		Windshield Washer Hose & Tee Kit Includes: 1-tee & 3-pieces of Hose			
C7TZ-17543-KIT	(H)		F100/350	67-79	8.00 kit
		Windshield Washer Hose Plastic Tee			
C7SZ-17A601-A	(I)		F100/500	67-79	3.00 ea.




Windshield Washer
Hose & Tee

G

F



WIPER PIVOT PARTS

PART #	PIC	DESCRIPTION	MODEL	YEAR	PRICE
C5ZZ-17531-A	(J)	Windshield Wiper Arm Clip - goes under dash to motor	F100/500	67-79	2.00 ea.
		Windshield Wiper Pivot & Arm Assembly			
C7TZ-17566-A		- RH	F100/750	67-72	85.00 ea.
C7TZ-17567-A		- LH	F100/750	67-72	85.00 ea.
D9TZ-17566-A	(K)	- RH	F100/350	73-79	85.00 ea.
D9TZ-17567-A	(L)	- LH	F100/350	73-79	85.00 ea.
C7TZ-17C463		Wiper Pivot Gasket	F100/750	67-72	5.00 pr.
D3TZ-17A475-A	(M)	Windshield Wiper Gasket - Set of 4	F100/500	73-79	10.00 set

WIPER ARMS & BLADES

PART #	PIC	DESCRIPTION	MODEL	YEAR	PRICE
		Windshield Wiper Arm - Stainless - RH or LH			
D6TZ-17526-A		- Original Style	F100/350	76-79	25.00 ea.
C7TZ-17526-B	(N)	- Replacement by Trico	F100/500	67-79	25.00 ea.
C3AZ-17528-J	(O)	Windshield Wiper Blade - Silver - Stainless Steel - by Trico	F100/500	67-79	18.00 ea.
C3AZ-17528-R		Wiper Blade Rubber Only - Replacement for 15" blades	F100/500	65-79	18.00 pr.



FRONT BUMPER

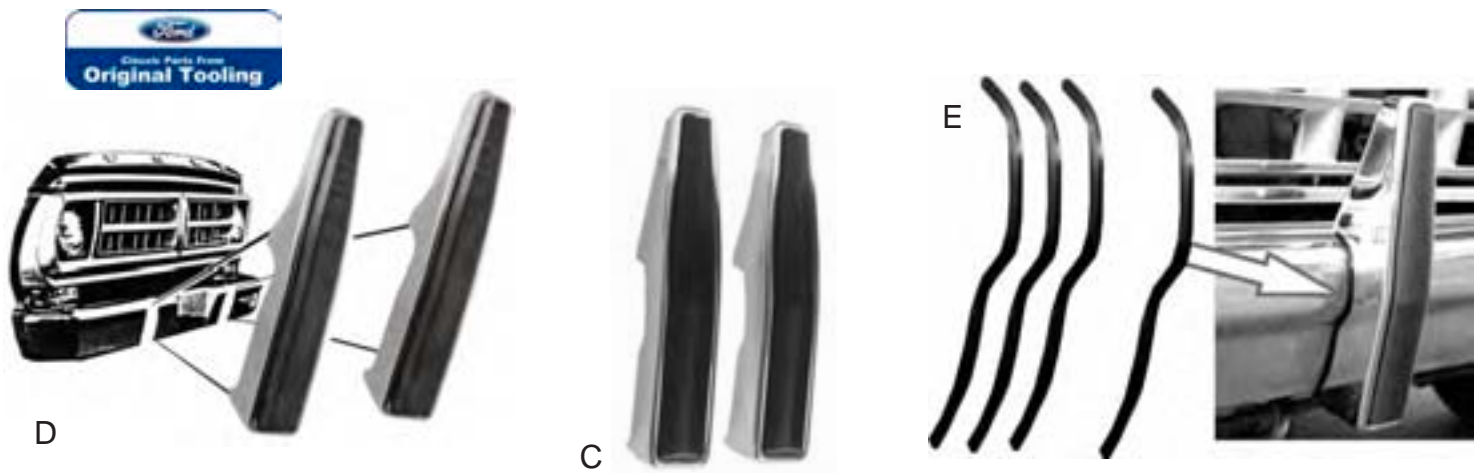
FRONT BUMPER

PART #	PIC	DESCRIPTION	MODEL	YEAR	PRICE
		<u>Chrome Front Bumper</u> - w/o horizontal pads - before serial #AG0,001 - Imported - No License Plate Holes - No Brackets, No Bolts			
C4TZ-17757-D	(A)	-	F100/350	67-78	250.00 ea.
D8TZ-17757-A		-	F100/350	78-79	250.00 ea.
B9A-17758	(B)	<u>Bumper Bolt - Front</u> - w/o guards - (4) per bumper - 7/16" x 14 x 1 3/4"	ALL	67-79	3.50 ea.



FRONT BUMPER GUARD

PART #	PIC	DESCRIPTION	MODEL	YEAR	PRICE
C9TZ-17A812-A		<u>Front Bumper Guard Pad</u> - For C4TZ-17996-A Guards	F100/350	67-77	15.00 ea.
D8TZ-17A812-A		- For original guards only	F100/350	78-79	15.00 ea.
D8TZ-17984-A	(C)	<u>Front Bumper Guard Kit</u> <u>Exact of original</u> - w/ pads	F100/350	78-79	120.00 pr.
C4TZ-17996-A	(D)	- w/ pads, nuts, & washers	F100/350	67-77	100.00 kit
C4TZ-17997-SET	(E)	<u>Front Bumper Guard Edge to Bumper Pads</u> - set of (4)	Truck	64-86	8.00 set



REAR BUMPERS

REAR BUMPER BOLTS - STEPSIDE ONLY

PART #	PIC	DESCRIPTION	YEAR	PRICE
		<u>Rear Bumper Bolt w/ Nut & Washer</u> - 9/16" x 12 x 1 1/2" - F100/350		
BB-17758-A	(H)	- Cold Rolled w/ Stainless Cap	67-79	5.00 ea.
BB-17758-SS	(I)	- Stainless Steel w/ Polished Head	64-79	5.00 ea.

H



REAR BUMPER - STEP SIDE

PART #	PIC	DESCRIPTION	MODEL	YEAR	PRICE
		<u>Rear Bumper - Stepside</u>			
BBAA-17906-A		- cold rolled steel, no bolts	F100	48-72	125.00 ea.
BBAA-17906-SS	(G)	- polished stainless steel w/ Bolts, No Brackets	F100	48-72	325.00 ea.
BBAA-17906-NH		<u>Rear Bumper - Stainless</u> - No holes, No bolts		67-72	325.00 ea.
D3TZ-17906-C		<u>Rear Bumper</u> - Cold Roll Steel - step side only - MFG. USA - No Brackets, No Bolts	F100/250	73-79	110.00 ea.

G



REAR BUMPER - STYLE SIDE

PART #	PIC	DESCRIPTION	MODEL	YEAR	PRICE
		<u>Rear Bumper - Style Side - Chrome - Imported - No Bolts or Brackets</u>			
C4TZ-17906-B	(J)	-	F100/250	64-72	200.00 ea.
D3TZ-17906-A	(L)	-	F100/350	73-79	200.00 ea.
C4TZ-17787-SET		<u>Rear bumper Bracket Set</u> - Style Side Bed	F100	64-72	120.00 set

J

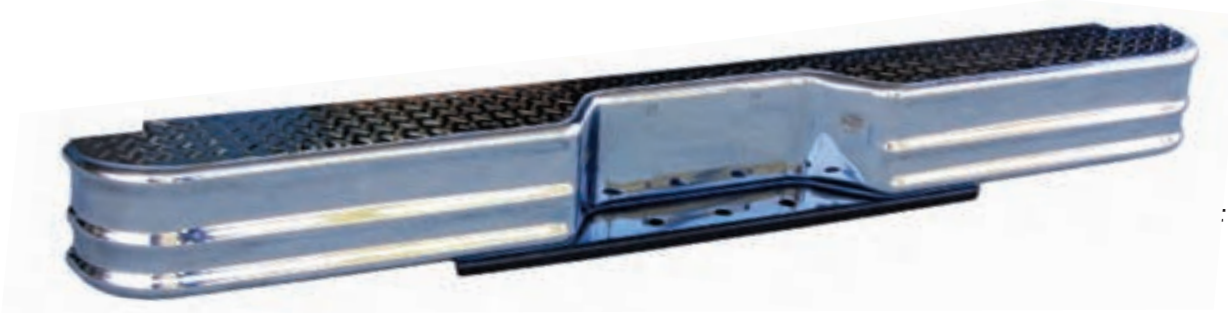


L



REAR BUMPER - STYLE SIDE

PART #	PIC	DESCRIPTION	MODEL	YEAR	PRICE
C8TZ-17906-A	(F)	<u>Rear Step Bumper</u> - Chrome - w/ Brackets, Bolts, & Tag Lights	F100/350	67-96	600.00 ea.



RADIO ANTENNA

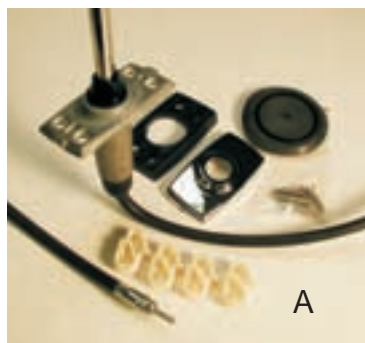
PART #	PIC	DESCRIPTION	MODEL	YEAR	PRICE
		<u>Radio Antenna</u> - Tear Drop Shaped - w/ template, mounting hardware & instructions			
C7TZ-18813-A	(A)	F100/750	67-72	75.00 ea.
D3TZ-18813-A		F100/350	73-79	75.00 ea.
		<u>Antenna Base Pad</u> - Included w/ Antenna - Included w/ Assembly			
C7TZ-18898-A		F100/350	67-72	8.00 ea.
D3TZ-18898-AA		F100/350	73-79	8.00 ea.
		<u>Radio Antenna</u> - Replacement Type - w/ Round Mast			
D6TZ-18813-A		F100/350	73-77	50.00 ea.
		<u>Antenna Cable Clips</u> - under glove box - takes 3 - Included w/ Assembly			
376118-S		F100/350	67-79	1.00 ea.

RADIO SPEAKER WIRE - 73-79

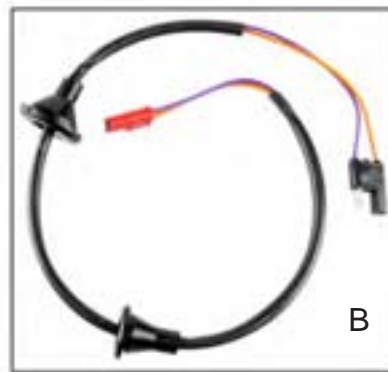
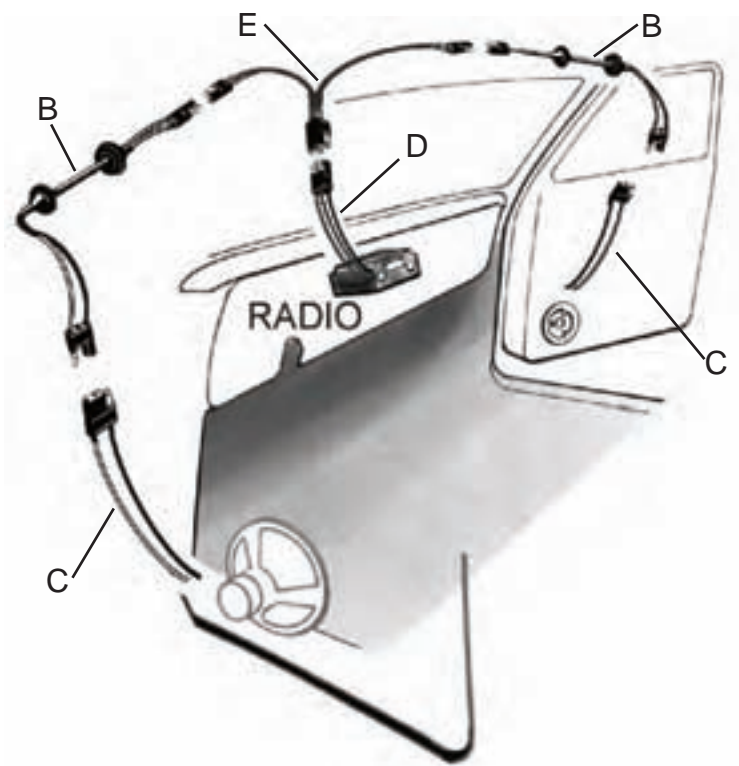
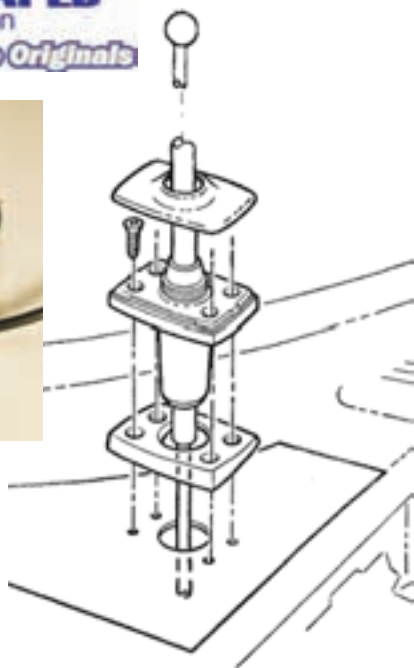
PART #	PIC	DESCRIPTION	PRICE
All Radio Speaker Wire fits 73-79 F100/350			
D3TZ-19A123-A	(B)	Wire that crosses over door jam from dash board to door	20.00 ea.
D3TB-18808-W	(C)	Wire that connects door jam crossover to speaker - solder to speakers	15.00 ea.
D3TB-18806-SP	(D)	Wire from Radio to Wire Terminal that connects Left & Right Speaker Wire	15.00 ea.
D3TB-19A041-AA	(E)	Wire that connects Left & Right Door Jam Crossover Wires to Radio Terminal	45.00 ea.

Featuring

AIR FOIL SHAPED
 Ariel Cross Section
Made Exactly Like The Originals



A



B

A/C PARTS DOOR DAMPER SWITCH

PART #	PIC	DESCRIPTION	MODEL	YEAR	PRICE
D5TZ-19B888-A	(F)	<u>Vacuum Switch Valve for Heater and A/C</u> - w/ Deluxe Heater - 2 contacts	F100/350	75-77	75.00 ea.
D8TZ-19B888-A		<u>Vacuum Switch Valve for Heater and A/C</u> - w/ Deluxe Heater - 1 contact	F100/350	78-79	50.00 ea.



If you have a vacuum air leak under your dash, this is usually the problem.



F

AIR CONDITIONER PARTS

PART #	PIC	DESCRIPTION	MODEL	YEAR	PRICE
C8TZ-19858	(G)	<u>Air Conditioner Evaporator Drain Hose with Integral Air Conditioner</u>	F100/350	68-72	20.00 ea.
C9AZ-19655-B	(H)	Air Conditioner Compressor Crankshaft Seal Kit	All	65-72	20.00 ea.



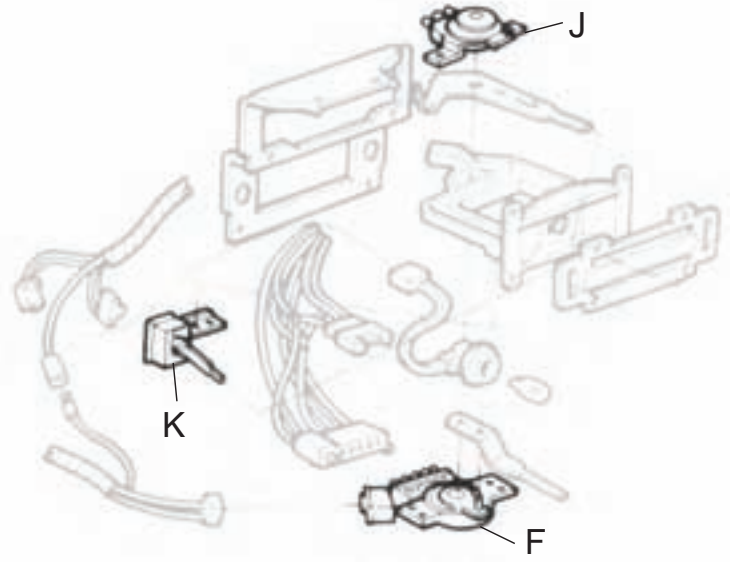
G

H

HEATER & A/C PARTS

PART #	PIC	DESCRIPTION	MODEL	YEAR	PRICE
D5TZ-18502-A	(J)	<u>A/C & Heater Temp. Regulator Valve</u> - w/ Integral Air conditioner - From 1975 Serial # V80,001	F100/350	75-77	75.00 ea.
D8TZ-18502-A		<u>A/C & Heater Temp. Regulator Valve</u>	F100/350	78-79	50.00 ea.

	(K)	<u>Heater & Integral Air Conditioner Blower Switch</u>			
D3AZ-19986-A		- Before Serial # CA0,001	F100/350	73-78	40.00 ea.
D5AZ-19986-A		- From Serial # CA0,001	F100/350	78-91	32.00 ea.



J

K

F

AIR CONDITIONER SWITCH

PART #	PIC	DESCRIPTION	MODEL	YEAR	PRICE
C8SZ-2979-A	(M)	<u>A/C Compressor Switch & Bracket</u>	F100/350	68-79	35.00 ea.

M



HEATER TEMPERATURE CONTROL VALVE

PART #	PIC	DESCRIPTION	MODEL	YEAR	PRICE
C3UZ-18495-A	(A)	<u>Heater Temp. Control Valve - w/ No Air Condition</u>		67-72	50.00 ea.
D4AZ-18495-A	(B)	<u>Heater Water Control Valve - From Serial #U40,001</u>	F100/350	74-79	40.00 ea.



A



B

HEATER MOTOR

PART #	PIC	DESCRIPTION	MODEL	YEAR	PRICE
C1UF18583-A	(D)	<u>Heater Blower Motor Mounting Gasket</u>	F100/750	67-72	8.00 ea.



D

HEATER BLOWER SWITCH

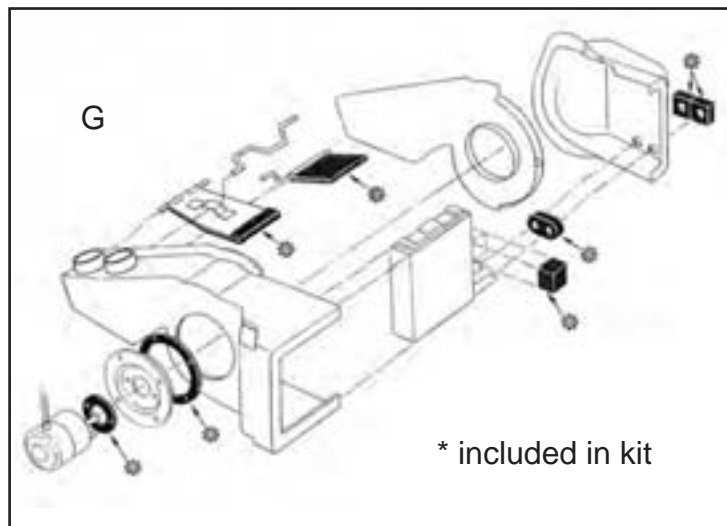
PART #	PIC	DESCRIPTION	MODEL	YEAR	PRICE
C8TZ-18578-A	(E)	<u>Heater Blower Switch - Fresh Air Heater</u>	F100/750	68-72	15.00 ea.



E

HEATER SEALS

PART #	PIC	DESCRIPTION	MODEL	YEAR	PRICE
C7TZ-18B259-KIT	(F)	<u>Air Inlet Duct Seal Kit - RH</u>	F100/750	67-72	11.00 kit
C7TZ-18500-A	(G)	<u>Fresh Air Heater Seal Kit</u>	F100/750	67-72	17.50 kit
C7TZ-18A568-A	(H)	<u>Fresh Air Heater Air Inlet Hose Connector</u>	F100/750	67-72	40.00 ea.
8C-18595	(J)	<u>Heater Tube to Firewall Seal</u>		67-79	2.00 ea.



G

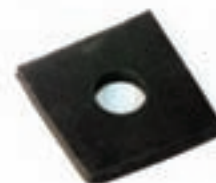
* included in kit



H



F



J

HEATER CABLES

PART #	PIC	DESCRIPTION	MODEL	YEAR	PRICE
C1UF18545-A	(L)	<u>Heater Switch Bezel Nut</u>	F100/350	67	7.50 ea.
C8TZ-18518-A	(M)	<u>Fresh Air Heater Cable</u>	F100/350	68-72	15.00 ea.
C8TZ-18552-C	(M)	- Vent Cable - 29 1/2"	F100/350	68-72	12.00 ea.
D3TZ-18518-A	(N)	<u>A/C Temperature Cable</u> - w/ Factory A/C	F100/350	73-79	20.00 ea.
D3TZ-18518-B		<u>Heater Temperature Cable</u> - For w/o Factory A/C	F100/350	73-79	20.00 ea.
D3TZ-18552-A	(O)	<u>Heater On/Off Controll Cable</u>	F100/350	73-79	17.00 ea.

L



M



N



O



HEATER HOSE

PART #	PIC	DESCRIPTION	MODEL	YEAR	PRICE
Heater Hose is Black. It is sold by the foot and NON-RETURNABLE.					
APA-18472-A	(P)	<u>Heater Hose</u> - 5/8" I. D.		All	2.00 ft.
BPA-18572	(R)	<u>Heater Hose Clamp - 5/8"</u>	ALL	ALL	1.00 ea.

R



P



HEATER HOSE CONNECTORS

PART #	PIC	DESCRIPTION	MODEL	YEAR	PRICE
D4TZ-18599-C	(T)	<u>Hot Water Heater & Air Conditioner Connector Tee</u> - "T" shape - (1) 1/4" hose connection - (2) 5/8" hose connections - Fits: 8 cyl. 302 F100 California vehicle	ALL	74-79	14.00 ea.
C6AZ-18599-B	(U)	<u>Heater Hose Connector</u> goes on intake manifold for 289-302 V8 - In Gold Zinc Plated	F100/150	73-79	20.00 ea.

T



U



FIREWALL COVER

PART #	PIC	DESCRIPTION	MODEL	YEAR	PRICE
C7TZ-8101670-ABS	(Z)	Firewall Cover - with Insulation - takes 8 fasteners	F100/350	67-72	230.00 ea.
D3TZ-1001670-A		Firewall Cover - w/ Insulation - w/o air	F100/350	73-79	200.00 ea.
D3TZ-1001670-B		Firewall Cover - w/ Insulation - w/ air	F100/350	73-79	200.00 ea.

Note: New ABS Plastic holes are pre-cut and ready to install. Clips NOT included.

Z



FIREWALL RETAINERS

PART #	PIC	DESCRIPTION	YEAR	PRICE
390018-S	(A)	<u>Firewall Cover Retainer</u> - Replacement - Plastic	67-72	2.00 ea.
48-7001670-CLIP	(B)	- Like Original - Metal	67-72	3.00 ea.
C8ZZ-6501691-A	(C)	<u>Firewall Insulator Retainer</u> - need six per truck	73-79	3.00 ea.



BODY RUBBER PLUGS

PART #	PIC	DESCRIPTION	MODEL	YEAR	PRICE
378444-S	(D)	<u>Style Side Bed Side Panel Rubber Plug</u> - 1 1/8" dia. front of bed inside to access side moulding clip nut - (2) per truck	F100/250	67-69	2.00 ea.
379534-S	(E)	<u>Cowl Side Panel Inner Rubber Plug</u> - 1 7/8" dia. - (2) per truck	F100/350	67-72	2.00 ea.
380680-S	(F)	<u>Floor Pan Front Rubber Plug</u> - 1/2" x 1" dia. - (2) per truck	F100/350	65-72	2.00 ea.
390581-S	(G)	<u>Oval Rubber Plug For Firewall</u> - 1.375 x 2.875 - (3) per truck	F100/350	67-77	3.00 ea.
376966-S		<u>Firewall Rubber Grommets</u> - 5/8" O.D. - 1 on each side of firewall	Truck	All	5.00 pr.
377977-S		<u>Door Lock Pillar Rubber Grommet</u> - 27/32" I.D. 1 on each lock pillar	Truck	73-79	4.00 pr.



COWL SIDE AIR VENT GASKET

PART #	PIC	DESCRIPTION	MODEL	YEAR	PRICE
C7TZ-8102110-K		Cowl Side Air Vent Gasket - Driver Side	F100/350	67-72	6.50 pr.



SUNVISOR

PART #	PIC	DESCRIPTION	MODEL	YEAR	PRICE
Does NOT include arm or bracket. Does NOT fit Explorer.					
C7TZ-8104104-A	(H)	- Padded - White	F100/750	67-69	60.00 ea.
D0TZ-8104104-A		- Padded - White	F100/750	70-72	50.00 ea.
D3TZ-1004104-A		- White	F100/500	73-79	50.00 ea.
D3TZ-1004104-H	(J)	- Black	F100/500	73-79	50.00 ea.



H



J

SUNVISOR ARM & BRACKET

PART #	PIC	DESCRIPTION	MODEL	YEAR	PRICE
<u>Sunvisor Arm & Bracket -</u>					
C7TZ-8104145-A	(K)	Paint to Match - LH	F100/750	67-72	25.00 ea.
C7TZ-8104144-A		- Paint to Match - RH	F100/750	67-72	25.00 ea.
C7TZ-8104145-CC	(L)	- Chrome - LH	F100/750	67-72	40.00 ea.
C7TZ-8104144-CC		- Chrome - RH	F100/750	67-72	40.00 ea.
<u>Sunvisor Arm & Bracket</u>					
<u>RH or LH</u>					
D3TZ-1004144-A	(M)	- paint to match	F100/350	73-79	25.00 ea.
D3TZ-1004144-CC		- Chrome	F100/350	73-79	40.00 ea.



K



L



M

SUNVISOR ANCHOR PIN & BOOT TIP

PART #	PIC	DESCRIPTION	MODEL	YEAR	PRICE
Top Center Windshield - Paint to Match					
<u>Anchor Pin Bracket</u>					
D5VY-6004132-D	(N)	- Black.....	F100/350	73-79	10.00 ea.
D5VY-6004132-W		- White.....	F100/350	73-79	10.00 ea.
C8ZZ-6504132-A1W	(O)	- White.....	F100/350	68-72	15.00 ea.
C8ZZ-6504132-B1A		- Black.....	F100/350	68-72	15.00 ea.
<u>Visor Anchor Pin</u>					
C3DZ-7604114-B	(P)	- Metal - w/o rubber tip	F100/750	67-69	4.00 ea.
D3AZ-6504114-B	(Q)	- Plastic - w/ rubber tip	F100/350	73-79	3.00 ea.
<u>Visor Anchor Pin</u>					
<u>Rubber Boot Tips</u>					
D1DZ-6204115-A	(R)	- need (1) per visor	F100/350	67-79	1.00 ea.



N



O



P



Q



R

67-72 INSTRUMENT PANEL

TRUCK DASH

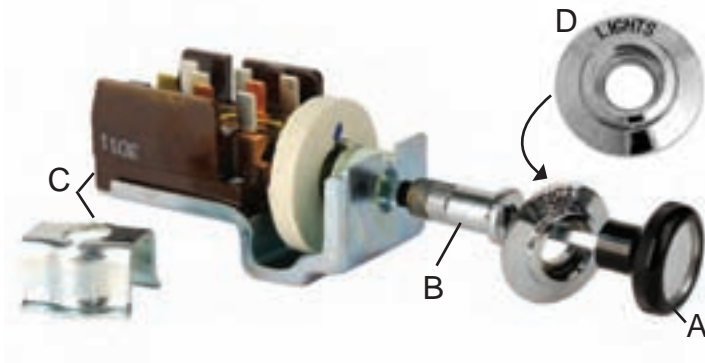
Truck Dash illustration is for reference only and not meant to be exact of all make & models.



HEADLIGHT SWITCH

67-72

PART #	PIC	DESCRIPTION	MODEL	YEAR	PRICE
C8TZ-11661-A	(A)	<u>Headlight Knob & Shaft</u> - Black - Lenth of Shaft - 3 7/32"	F100/750	68-72	10.00 ea.
C3TZ-11650-A	(B)	<u>Light Switch to Instrument Panel Nut</u>	F100/750	65-72	10.00 ea.
D3ZZ-11654-A	(C)	<u>Headlight Switch</u> Before Serial # C25,000	F100/350	67-76	60.00 ea.
C1TF10852-C	(D)	"Head Lamp"	F100/350	67-72	15.00 ea.



CIGAR LIGHTER PARTS

PART #	PIC	DESCRIPTION	MODEL	YEAR	PRICE
D3TZ-15A044-A	(H)	<u>Cigar Lighter Kit</u> - Knob, Element, Well & Bezel - Dash Mount	F500-750	67-79	25.00 kit



INSTRUMENT PANEL LAMP & BULB

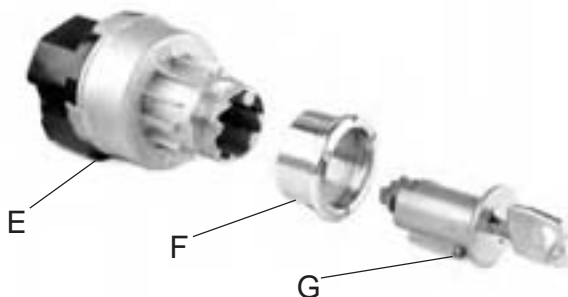
PART #	PIC	DESCRIPTION	MODEL	YEAR	PRICE
C80Z-13711-A	(I)	<u>Instrument Panel Lamp Socket Assy.</u> Takes 6	F100/350	68-79	2.00 ea.
C2AZ-13466-C	(J)	<u>194 Bulb</u> - Instrument Panel & Side Marker Lamp	F100/350	68-79	1.50 ea.



IGNITION SWITCH

67-72

PART #	PIC	DESCRIPTION	MODEL	YEAR	PRICE
C5AZ-11572-B		<u>Ignition Switch Housing Assy.</u>	F100/750	67	50.00 ea.
D1AZ-11572-C	(E)	<u>Ignition Switch Housing Assy.</u> - before ser#G90,001 - from ser#G90,001	F100/750 F100/350	68-78 70-76	25.00 ea. 34.00 ea.
C60Z-11584-A	(F)	<u>Ignition Switch Bezel</u>	F100/500	67-79	20.00 ea.
C9AZ-11582-A	(G)	<u>Ignition Cylinder & Key Assy.</u> Before Serial # CA0,001	F100/500	67-78	29.00 ea.



RADIO BEZEL AND DASH KNOBS

PART #	PIC	DESCRIPTION	MODEL	YEAR	PRICE
<u>Radio Knob - 2 per truck</u>					
C8TZ-18817-A	(K)	- for Split Shaft	F100/750	68-72	12.50 ea.
C8TZ-18817-B	(L)	- for "D" Shaft	F100/750	68-72	12.50 ea.
D1TZ-18842-A	(M)	<u>Radio Bezel</u> - For Original Radios - Die Cast Chrome	F100/350	68-72	75.00 ea.



67-72 INSTRUMENT PANEL

BRAKE WARNING LIGHT

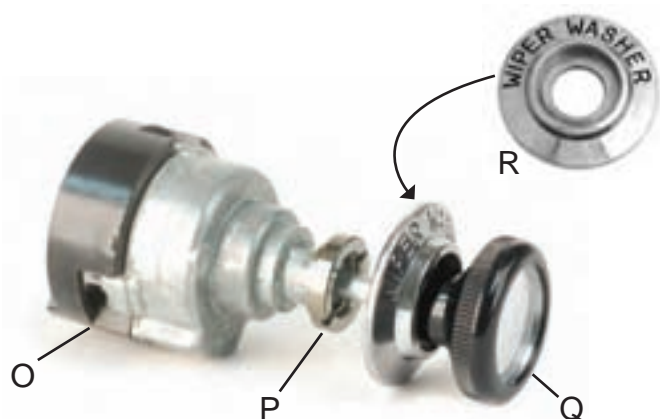
PART #	PIC	DESCRIPTION	MODEL	YEAR	PRICE
D5TZ-10A840-A	(N)	Brake Warning Lamp Bezel on Dash w/ Red Lens	F350	67-76	25.00 ea.



N

WIPER SWITCH - 67-72

PART #	PIC	DESCRIPTION	MODEL	YEAR	PRICE
	(O)	Windshield Wiper & Washer Switch - for 2-spnd Electric Motor	F100/750	68-72	30.00 ea.
C8UZ-17A553-A					
D7TZ-17512-A	(P)	Windshield Wiper Switch Control Nut - Chrome	F100/350	61-72	8.00 ea.
C8UZ-17513-A	(Q)	Wiper Knob - Can also be used on Emergency Flasher, Choke Knobs	F100/750	68-72	12.50 ea.
D0TZ-10852-A	(R)	"Wiper Washer" Bezel	F100/350	70-72	15.00 ea.
C1TF10852-D		"Wiper" Bezel	F100/350	61-69	15.00 ea.



DASH BEZELS

PART #	PIC	DESCRIPTION	MODEL	YEAR	PRICE
C8TZ-10852-A	(S)	"Cargo"	F100/350	68-72	15.00 ea.
C8TZ-10852-B	(T)	"Aux. Fuel"	F100/350	67-72	15.00 ea.



T

S

ASHTRAY DOOR BUMPERS

PART #	PIC	DESCRIPTION	YEAR	PRICE
359422-S		Ashtray Door Bumpers	67-72	2.00 pr.



INSTRUMENT CLUSTER VOLTAGE REGULATOR

PART #	PIC	DESCRIPTION	MODEL	YEAR	PRICE
Controls Voltage to Gas and Temperature Gauge					
C6DZ-10804-A	(U)	F100/750	67-69	20.00 ea.
C9AZ-10804-A		F100/750	70	20.00 ea.
D1AZ-10804-A		F100/350	71-86	20.00 ea.



U

FLASHER SWITCH

PART #	PIC	DESCRIPTION	MODEL	YEAR	PRICE
D3BZ-13A350-A	(V)	Emergency Flasher Switch	F100/350	70-72	20.00 ea.
C6AZ-13A350-D		Emergency Flasher Switch - All..... - Except with A/C (Mounts in Glovebox)	F100/350 F100/350	67 68-69	50.00 ea.
D0TZ-15C580-A	(W)	Emergency Flasher Bezel - Mounts on Dash	F100/350	68-72	15.00 ea.



V



W

INSTRUMENT CLUSTER BEZELS

PART #	PIC	DESCRIPTION	MODEL	YEAR	PRICE
Note: Cluster Lens is NOT included in Instrument Cluster Bezels. Items must be ordered separately.					
C7TZ-10880-B	(X)	Instrument Cluster Lens - in plastic - #I.D. C7TF10B885-A	F100/350	67-72	25.00 ea.
C9TZ-10876-A	(Y)	Instrument Cluster Bezel - Black & Chrome - (except Ranger)	F100/350	67-72	125.00 ea.
D0TZ-10876-A	(Z)	Instrument Cluster Bezel - Black, Chrome, Woodgrain - w/ Ranger package	F100/350	69-72	150.00 ea.



Y

Z

73-79 INSTRUMENT PANEL

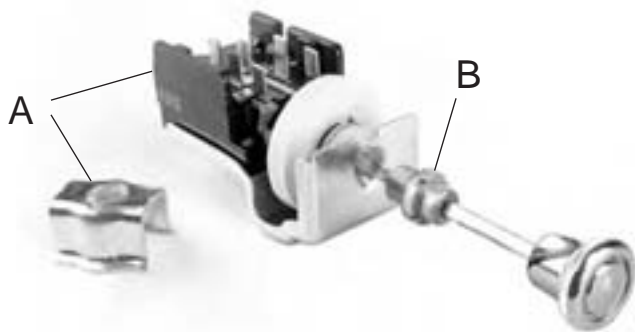
TRUCK DASH

Truck Dash illustration is for reference only and not meant to be exact of all make & models.



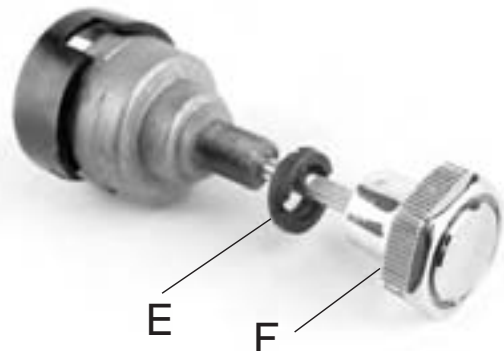
HEADLIGHT SWITCH 73-79

PART #	PIC	DESCRIPTION	MODEL	YEAR	PRICE
D3ZZ-11654-A	(A)	<u>Headlight Switch</u> Before Serial # C25,000	F100/350	67-76	60.00 ea.
D7TZ-11654-A		From Serial # C25,000	F100/350	76-77	30.00 ea.
D3AZ-11654-A		<u>Headlight Switch</u>	F100/350	78-79	52.50 ea.
D3TZ-11650-A	(B)	<u>Headlight Bezel Nut</u>	F100/350	73-79	10.00 ea.
D3TZ-11661-A		<u>Headlight Switch Knob & Shaft</u> - Plastic Knob	F100/350	73-75	15.00 ea.
D4FZ-11661-A		- Chrome & Black - Chrome	F100/350	75-79	15.00 ea.



WIPER SWITCH 73-79

PART #	PIC	DESCRIPTION	MODEL	YEAR	PRICE
D3TZ-17512-A	(E)	<u>Windshield Wiper Switch Control Nut</u>	F100/350	73-79	8.00 ea.
D30Z-17513-B	(F)	<u>Wiper Switch Knob</u>	F100/350	73-79	10.00 ea.
D10Z-17A553-A		Wiper Switch w/ Intermittent Wipers	F100/350	73-79	85.00 ea.



IGNITION SWITCH 73-79

PART #	PIC	DESCRIPTION	MODEL	YEAR	PRICE
D1AZ-11572-C		<u>Ignition Switch Housing Assy.</u> - before ser#G90,001	F100/750	68-78	25.00 ea.
D0TZ-11572-A		- from ser#G90,001	F100/350	70-76	34.00 ea.
D8TZ-11572-A	(G)	<u>Ignition Switch Housing Assy.</u>	F100/350	78-79	100.00 ea.
C60Z-11584-A	(H)	<u>Ignition Switch Bezel</u>	F100/500	67-79	20.00 ea.
C9AZ-11582-A	(I)	<u>Ignition Cylinder & Key Assy.</u> Before Serial # CA0,001	F100/500	67-78	29.00 ea.
D8TZ-11582-A		<u>Ignition Cylinder & Key Assy.</u> From Serial # CA0,001	F100/350	78-79	65.00 ea.



CIGAR LIGHTER PARTS 73-79

PART #	PIC	DESCRIPTION	MODEL	YEAR	PRICE
D3TZ-15A044-A	(K)	<u>Cigar Lighter Kit</u> - Knob, Element, Well & Bezel - Dash Mount	F500-750	67-79	25.00 kit



73-79 INSTRUMENT PANEL

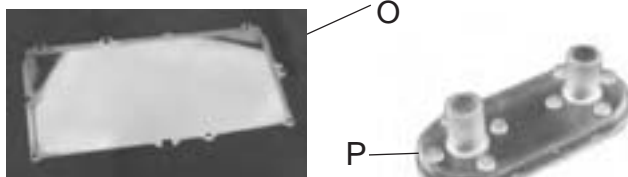
BRAKE WARNING LIGHT

PART #	PIC	DESCRIPTION	MODEL	YEAR	PRICE
D5TZ-10A840-A	(L)	Brake Warning Lamp Bezel on Dash w/ Red Lens	F350	67-76	25.00 ea.



INSTRUMENT CLUSTER PARTS

PART #	PIC	DESCRIPTION	MODEL	YEAR	PRICE
D3TZ-10848-A	(M)	Instrument Cluster Backing Plate for Gauges	F100/350	73-74	67.50 ea.
E1PZ-10848-A	(M)	Instrument Cluster Backing Plate for Gauges	F100/350	75-79	67.50 ea.
E1PZ-10848-B	(M)	Instrument Cluster Backing Plate for warning lights	F100/350	76-79	67.50 ea.
D4TZ-10848-A	(M)	Instrument Cluster Backing Plate for warning lights	F100/350	73-75	67.50 ea.
D1AZ-10804-A	(N)	Instrument Cluster Voltage Regulator - Genuine Ford	F100/350	73-79	20.00 ea.
D3TZ-10880-A	(O)	Instrument Cluster Lens - Clear Plastic	F100/350	73-79	25.00 ea.
C9ZZ-10C914-A	(P)	Instrument Gauge Insulator - takes (2) or (4)		73-79	5.00 ea.



Original Lens are usually scratched and dull.



M

Original backing plates are usually very brittle from age & break around the light bulbs.



N

INSTRUMENT PANEL LAMP & BULB

PART #	PIC	DESCRIPTION	MODEL	YEAR	PRICE
C80Z-13711-A	(Q)	Instrument Panel Lamp Socket Assy. - Takes 6	F100/350	68-79	2.00 ea.
C2AZ-13466-C	(R)	#194 Bulb - Instrument Panel & Side Marker Lamp	F100/350	68-79	1.50 ea.



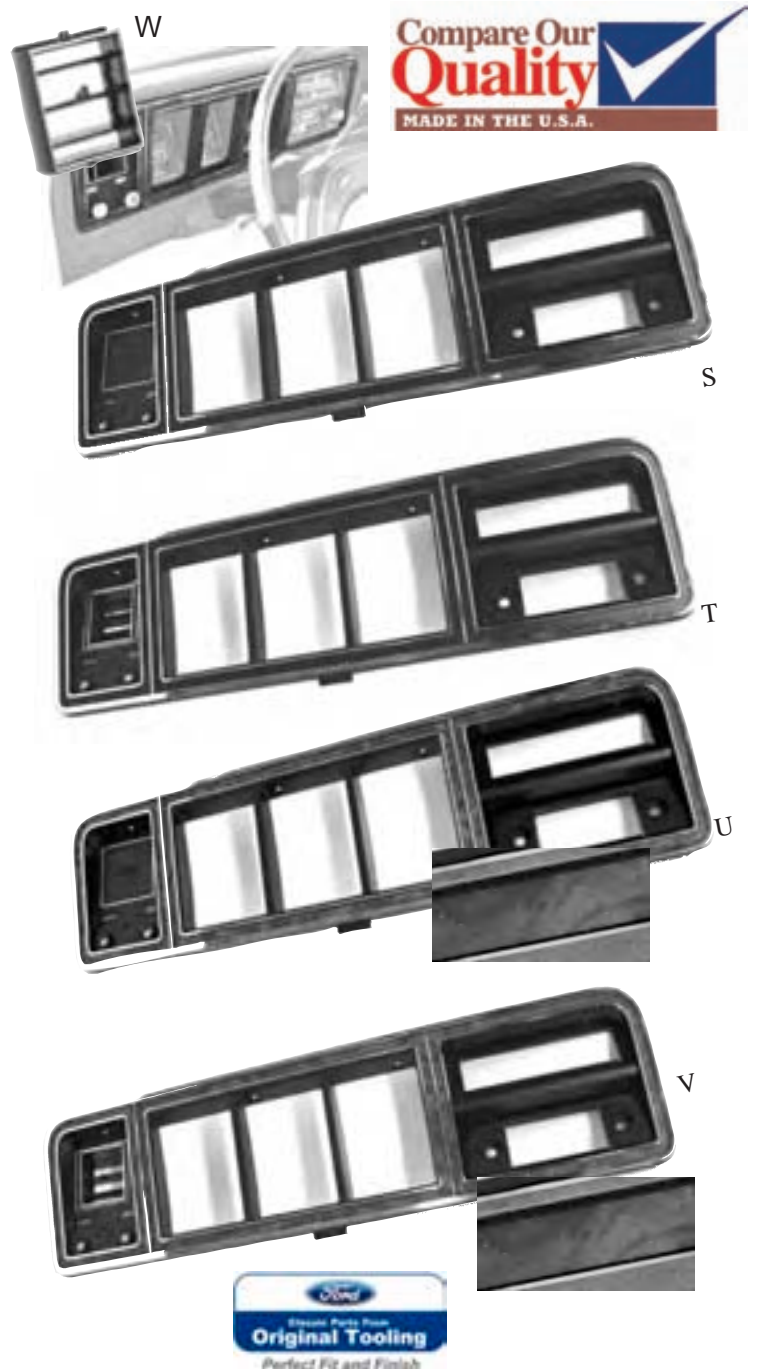
Q



R

DASH PANEL BEZELS

PART #	PIC	DESCRIPTION	MODEL	YEAR	PRICE
D8TZ-10044D70-A	(S)	Dash Panel Bezel Painted Finish GENUINE FORD w/ Radio from 7-5-78	F100/350	73-79	100.00 ea.
D8TZ-10044D70-B	(T)	- w/o integral A/C	F100/350	73-79	120.00 ea.
		- w/ integral A/C			
D8TZ-10044D70-C	(U)	Dash Panel Bezel w/ Woodgrain Finish	F100/350	73-79	135.00 ea.
D8TZ-10044D70-D	(V)	- w/ Radio, w/o A/C	F100/350	73-79	150.00 ea.
		- w/ Radio & A/C			
D3TZ-19893-C	(W)	A/C Register - LH - w/ Factory A/C	F100/350	73-79	35.00 ea.



SCUFF PLATES

PART #	PIC	DESCRIPTION	MODEL	YEAR	PRICE
C7TZ-8113208-PR		Door Scuff Plates	F100/750	67-72	70.00 pr.
C7TZ-8113209-B		Door Scuff Plate - Left Side Only - NOS - Genuine Ford	F100/750	67-72	54.00 ea.
D6TZ-1013208-PR	(A)	Regular Cab & Crew Cab Front	F100/350	73-79	100.00 pr.
D4TZ-1013208-PR		- Super Cab.	F100/350	74-79	120.00 pr.

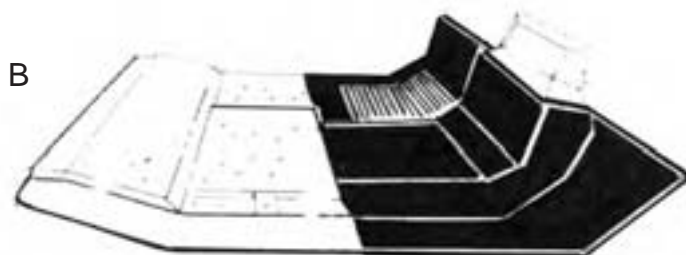


FLOOR MATS - REPLACEMENT

PART #	PIC	DESCRIPTION	MODEL	YEAR	PRICE
--------	-----	-------------	-------	------	-------

**Does NOT go beside seats - Replacement Type
Made of Black Rubber. No Sound Deadner**

C5TZ-8113000		- 5" Transmission hump	F100/250	67-72	120.00 ea.
C5TZ-8113010-A		- 8" Hump w/ 4 spd trans.	F100/250	65-72	120.00 ea.
D3TZ-1013010-RL	(B)	- low trans. hump - 5"	F100/350	73-79	130.00 ea.
D3TZ-1013010-RH		- high trans.hump - 8"	F100/350	73-79	130.00 ea.

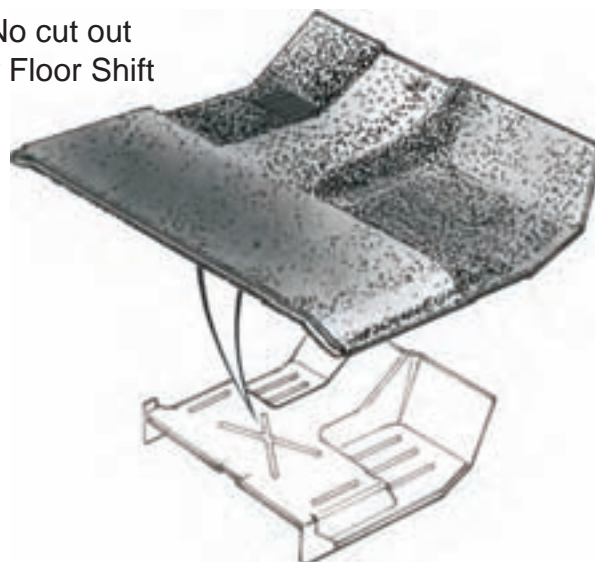


FLOOR CARPET

PART #	PIC	DESCRIPTION	MODEL	YEAR	PRICE
--------	-----	-------------	-------	------	-------

C7TZ-8113000-B Front Floor Carpet
- Black - w/ jute backing
- Ex. 4 spd & C6 trans.

No cut out
for Floor Shift



GLOVE BOX

PART #	PIC	DESCRIPTION	MODEL	YEAR	PRICE
C3AZ-14413-A		Glove Box Switch & Lamp Assembly	F100/350	73-79	15.00 ea.
C7TZ-8106010-A		Glove Box Liner Assy.	F100/750	67	25.00 ea.
C7TZ-8106010-A		- Glove Box Liner Assy.	F100/350	68-72	25.00 ea.
C8TZ-8106010-A		- All Except Integral A/C	F100/350	68-72	25.00 ea.
D3TZ-1006010-A	(C)	- For Integral A/C	F100/350	73-79	25.00 ea.
		- Glove Box Liner Assy.	F100/350	73-79	25.00 ea.
C7TZ-81060A08-A	(D)	Glove Box Door Check Cable Assembly	F100/350	67-79	3.75 ea.
C6AZ-6206066-A	(E)	Glove Box Door Bumper	F100/350	67-79	1.00 ea.
		- 1 or 2 per truck			
C6AZ-6206069-A	(F)	Glove Box Door Spring	F100/350	67-79	2.00 pr.
		- 1 or 2 per truck			
C7TZ-8106158-A	(G)	Glove Box Emblem		67-69	26.00 ea.
		- "Ranger" - Stick On Type			



DASH TRIM AROUND GLOVE BOX

PART #	PIC	DESCRIPTION	MODEL	YEAR	PRICE
Dash Trim w/studs - includes clips					
D7TZ-1004388-C		- In Black	F100/350	73-79	50.00 ea.
D7TZ-1004388-A	(H)	- In Wood Grain	F100/350	73-79	65.00 ea.



GLOVE BOX FINISH PANEL

PART #	PIC	DESCRIPTION	MODEL	YEAR	PRICE
PEEL & STICK ON TYPE W/ WOOD GRAIN & CHROME EDGES IN PLASTIC					
D9TZ-1006036-B	(U)	- plain - cover only	F100/350	76-79	35.00 ea.
D7TZ-1004460-A	(V)	- "Custom" - emblem only	F100/350	77-79	25.00 ea.
D7TZ-1004460-B	(S)	- "Ranger" - emblem only	F100/350	77-79	30.00 ea.
D7TZ-1004460-C	(T)	- "Ranger XLT" - emblem only	F100/350	77-79	30.00 ea.



DASH PADS

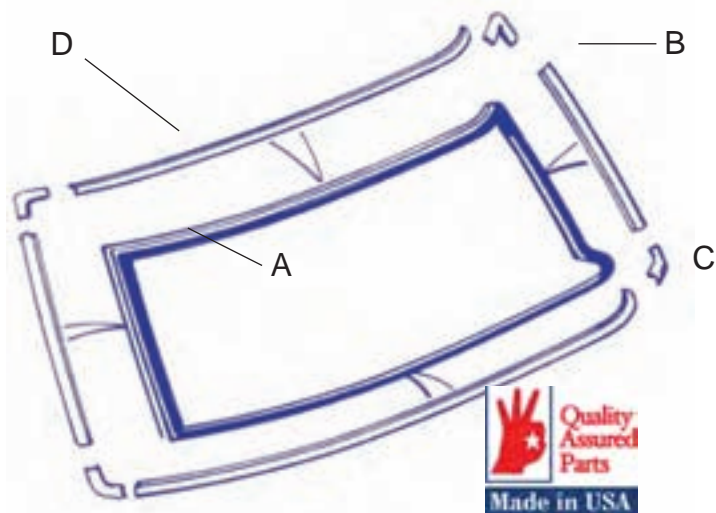
PART #	PIC	DESCRIPTION	MODEL	YEAR	PRICE
D3TZ-5004282-C		- Black	F100/750	67-72	400.00 ea.
D3TZ-5004282-N		- Tan	F100/750	67-72	390.00 ea.
D3TZ-1004282-A		- Blue	F100/350	73-79	320.00 ea.
D3TZ-1004282-C		- Black	F100/350	73-79	320.00 ea.
D6TZ-1004282-A		- Red	F100/350	73-79	320.00 ea.



WINDSHIELD RUBBER

WINDSHIELD RUBBER SEAL

PART #	PIC	DESCRIPTION	MODEL	YEAR	PRICE
C7TZ-8103110-A		- w/o Groove for Chrome	F100/750	67-72	75.00 ea.
C7TZ-8103110-B		- w/ Groove for Chrome	F100/750	67-72	75.00 ea.
D3TZ-1003110-F	(A)	- w/o Groove for Chrome	F100/500 F100/350	73-77 78-79	110.00 ea.
D3TZ-1003110-E		- w/ Groove for Wide Molded Chrome	F100/500	73-76	110.00 ea.
D7TZ-1003110-B	(A)	- w/ Groove for Narrow Flexible Plastic Chrome	F100/500 F100/350	77 78-79	110.00 ea.



This cross-sections of the rubber windshield seals show the difference between the seals with groove for moulding and without.

with groove

without groove

WINDSHIELD CHROME MOULDINGS

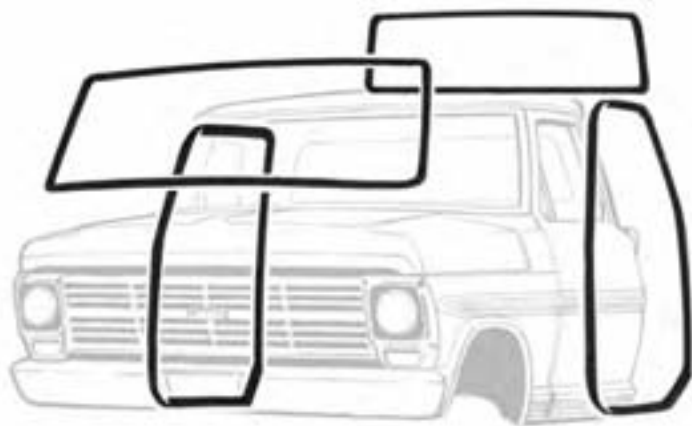
PART #	PIC	DESCRIPTION	MODEL	YEAR	PRICE
D7TZ-10030A42-B	(B)	<u>Upper Windshield Corner Moulding</u>	F100/350	77-79	7.50 pr.
D7TZ-1003122-B	(C)	<u>Lower Windshield Corner Moulding</u>	F100/350	77-79	7.50 pr.
D7TZ-8103136-SET	(D)	<u>Windshield Chrome Plastic Moulding Set</u> From Serial # 080,001 Includes: - 7 pcs. (1) D7TZ-1003148-A (1 pr) D7TZ-10030A42-B (1 pr) D7TZ-1003122-B	F100/500	77-79	45.00 set
D7TZ-1003148-A		<u>Windshield Chrome Plastic Moulding Only</u> - 15' - No Corners			30.00 ea.

BACK WINDOW RUBBER


PART #	PIC	DESCRIPTION	MODEL	YEAR	PRICE
C7TZ-8142084-A		<u>Back Window Rubber</u> - No Groove for Chrome - Use w/ stationary & sliding window	F100/750	67-72	50.00 ea.
C7TZ-8142084-B		<u>Back Window Rubber</u> - w/ Groove for Chrome - Use w/ stationary window - Fits: Ranger & XLT	F100/250 F100/350	67-69 70-72	50.00 ea.
D3TZ-1042084-A		<u>Back Window Rubber</u> - No Groove for Chrome - w/ fixed or sliding rear window	F100/500 F100/350	73-77 78-79	75.00 ea.
D3TZ-1042084-C		<u>Back Window Rubber</u> - w/ Groove for Chrome & fixed rear window - factory sliding - Before Serial #080,000 w/ wide chrome	F100/350	73-77	75.00 ea.
D7TZ-1042084-A		- From Serial # 080,000 w/ narrow chrome	F100/350	78-79	75.00 ea.
E0TZ-1040860-A		Sliding Back Window Latch Assembly - Plastic	F100/350	73-96	15.00 ea.
D7TZ-1042430-KIT		<u>Flexible Plastic Chrome Moulding Kit</u> for Back Window with Narrow Plastic Chrome & Fixed Rear Window - From Serial # 080,000 - Rubber Seal Sold Sep.	F100/350	77-91	35.00 kit
D7TZ-1042430-A		Flexible Plastic Chrome Moulding - 12 1/2	F150/350	77-91	30.00 ea.
D7TZ-1042436-A		Connector/Joint for Flexible Plastic Chrome	F150/350	77-91	5.00 ea.

CAB WEATHERSTRIPING KIT

PART #	DESCRIPTION	MODEL	YEAR	PRICE
Includes windshield rubber seal, door seals, & rear window seal				
CAB67-A	C7TZ-8103110-A - No chrome groove C7TZ-8142084-A - No chrome groove C7TZ-8120530-PR	F100/750	67-72	160.00 kit
CAB67-B	C7TZ-8103110-B - w/chrome groove C7TZ-8142084-B - w/chrome groove C7TZ-8120530-PR	F100/750	67-72	160.00 kit
CAB73-A	- no groove for chrome D3TZ-1003110-F - No chrome groove D3TZ-1042084-A - No chrome groove D3TZ-1020530-PR	F100/350	73-79	200.00 kit
CAB73-B	- groove for wide metal type chrome D3TZ-1003110-E - w/chrome groove D3TZ-1042084-C - w/chrome groove D3TZ-1020530-PR	F100/350	73-79	200.00 kit
CAB77-B	- groove for narrow plastic type chrome D7TZ-1003110-B - w/chrome groove D7TZ-1042084-A - w/chrome groove D3TZ-1020530-PR	F100/350	73-79	200.00 kit



WEATHERSTRIP GLUE

PART #	PIC	DESCRIPTION	MODEL	YEAR	PRICE
C0AZ-19554-A		Weatherstrip Glue comes in a tube			10.00 ea.

C0AZ-19554-A



DOOR SEALS

DOOR SHELL ASSEMBLY

PART #	PIC	DESCRIPTION	MODEL	YEAR	PRICE
Door Shell Only - No Internals or Hardware					
Must be shipped by truck					
There is a \$75.00 crating fee for this item.					
D9TZ-1020124-A		Imported - RH	F100/350	73-79	250.00 ea.
D9TZ-1020125-A		Imported - LH	F100/350	73-79	250.00 ea.



DOOR SEALS

PART #	PIC	DESCRIPTION	MODEL	YEAR	PRICE
C7TZ-8120530-PR		Door Seal Kit	F100/750	67-72	60.00 pr.
D3TZ-1020530-PR		Door Seal Kit - Cut to Fit	F100/800	73-79	60.00 pr.
		- Regular Cab	F250-350	73-79	
		- Crew Cab Front	F250-350	73-79	
D8TZ-1020518-PR		Upper Door Seal - On top of door frame - 65"long	F100/800	78-79	57.00 pr.



DOOR GLASS RUN

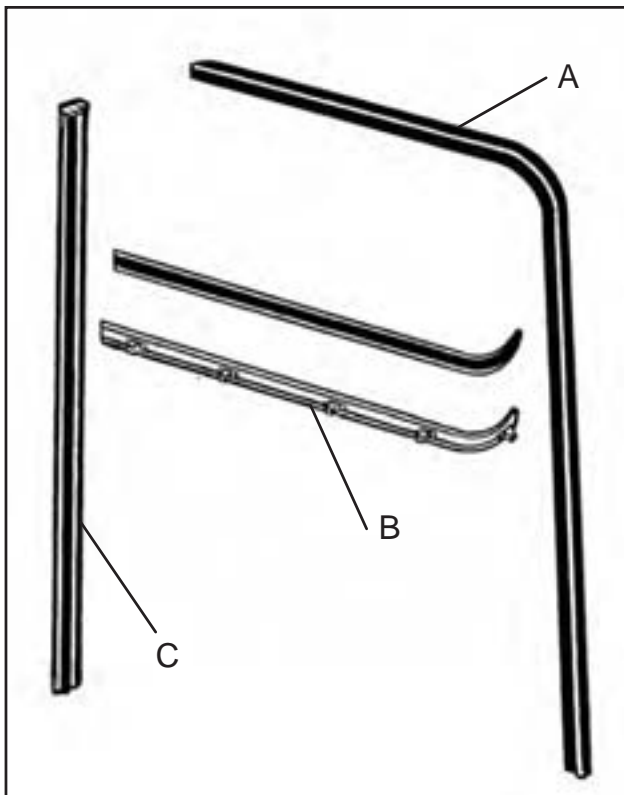
PART #	PIC	DESCRIPTION	MODEL	YEAR	PRICE
C7TZ-8121508	(A)	<u>Door Glass Run</u> - top & backside door glass anti-rattler before Serial #40,001 for 1971	F100/750	67-72	30.00 ea.
D3TZ-1021536-A		<u>Door Glass Run</u> - Top & Back side door glass anti-rattler - Right or Left Side - 2 per truck	F100/800	73-79	20.00 ea.

DOOR GLASS ANTI-RATTLERS

PART #	PIC	DESCRIPTION	MODEL	YEAR	PRICE
C7TZ-8121452-PR	(B)	<u>Anti-Rattlers (felt outside)</u> - w/ Black Bead	F100/750	67-71	30.00 pr.
C7TZ-8121452-SS		- w/ Stainless Bead	F100/750	67-71	35.00 pr.
D1TZ-8121452		<u>Door Glass Anti-Rattler From Serial #40,001</u> - RH - (1) pr. does 1 side	F100/750	71-72	45.00 pr.
D1TZ-8121453		- LH - (1) pr. does 1 side	F100/750	71-72	45.00 pr.
D7TZ-1021452-PR		<u>Door Glass Anti-Rattlers</u> - Right Door	F100/800	73-79	45.00 pr.
D7TZ-1021453-PR		- Left Door	F100/800	73-79	45.00 pr.

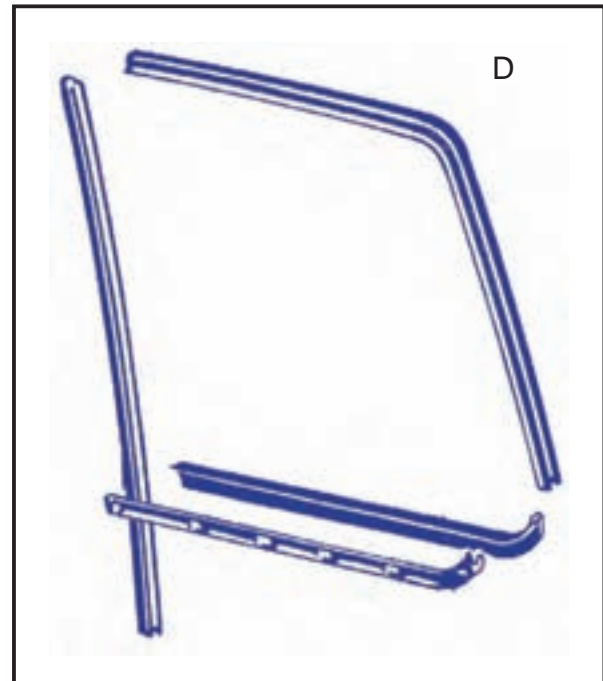
DIVISION BAR RUN

PART #	PIC	DESCRIPTION	MODEL	YEAR	PRICE
C7TZ-8121546-A	(C)	<u>Division Bar Glass Run</u>	F100/750	67-72	15.00 ea.
D3TZ-1021546-A		<u>Division Bar Glass Run</u> - 2 per truck	F100/800	73-79	25.00 ea.

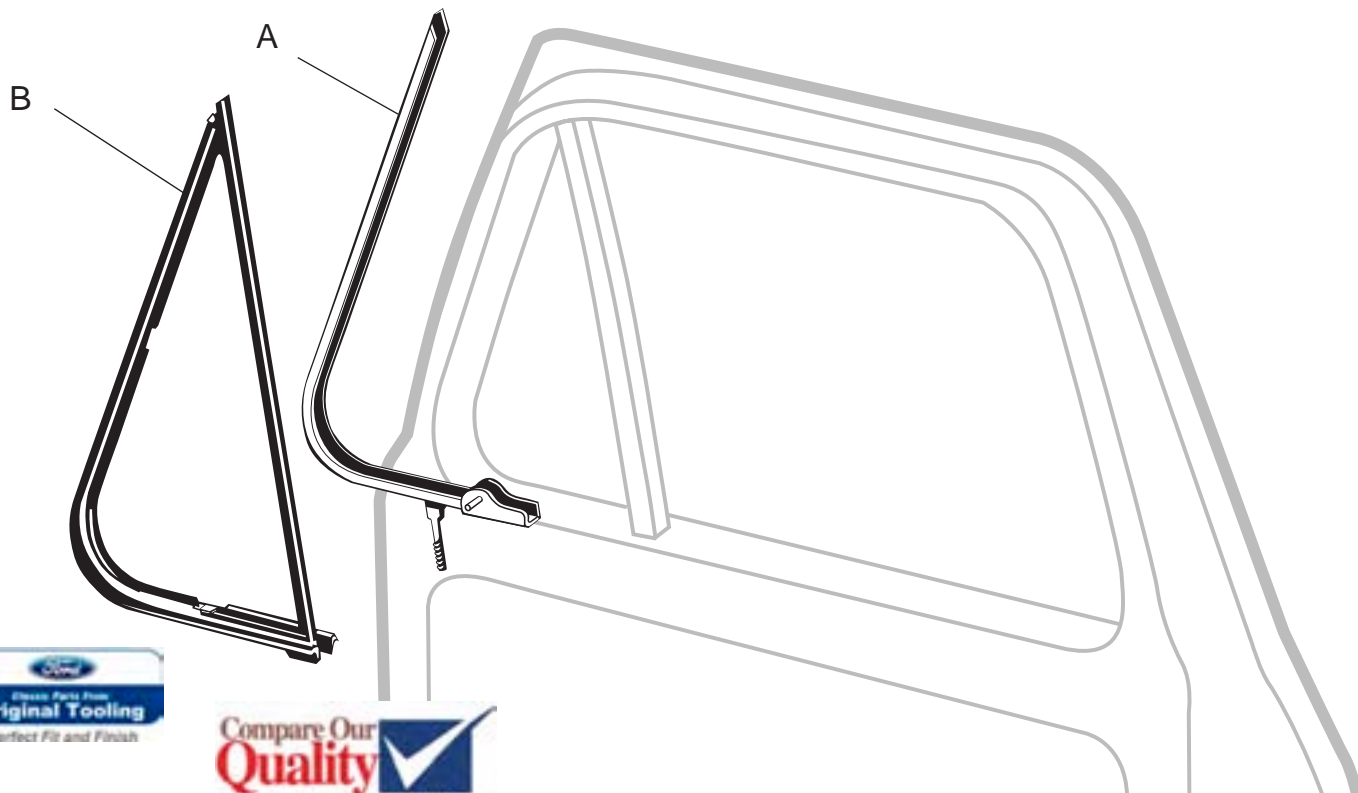


DOOR ANTI-RATTLERS - 73-79

PART #	PIC	DESCRIPTION	MODEL	YEAR	PRICE
C7TZ-8121460-CA		<u>Window Anti-Rattler Kit - w/ Black Bead</u> - Does both doors Includes: (2) C7TZ-8121508 (2) pr C7TZ-8121452-PR (2) C7TZ-8121546-A (before Serial #40,001 for 1971)	F100/750	67-71	140.00 kit
C7TZ-8121460-SS		<u>Window Anti-Rattler Kit w/ Stainless Steel bead</u> on anti-rattler on inner & outer bead - Does both doors Includes: (2) C7TZ-8121508 (2) C7TZ-8121452-SS (2) C7TZ-8121546-A	F100/750	67-71	150.00 kit
D1TZ-8121460-CA		<u>Window Anti-Rattler Kit</u> - Does both doors Includes: (2) C7TZ-8121508 (1) D1TZ-8121452 (1) D1TZ-8121453 (2) C7TZ-8121546-A. (from Serial #40,001 for 1972)	F100/750	71-72	160.00 kit
D3TZ-1021460-CA	(D)	<u>Complete Window Anti-Rattler Kit</u> - for Both Doors - Kit includes: (1) D7TZ-1021452-PR (1) D7TZ-1021453-PR (2) D3TZ-1021536-A (2) D3TZ-1021546-A	F100/800	73-79	170.00 kit



VENT WINDOW



VENT WINDOW SEALS & FRAME

PART #	PIC	DESCRIPTION	MODEL	YEAR	PRICE
C7TZ-8121448-PR		Vent Window Seals - No Fasteners	F100/750	67-72	75.00 pr.
B5A-7022926-A		Vent Window Pivot Spring	F100/350	61-96	5.00 ea.
	(B)	Vent Window Seal Made in U.S.A. No Rivets			
D3TZ-1021448-A		- RH	F100/800	73-79	65.00 ea.
D3TZ-1021449-A		- LH	F100/800	73-79	65.00 ea.
D3TZ-1021448-PR		- RH or LH	F100/800	73-79	130.00 pr.
		Vent Window Frame Before Serial #Y00,001			
D3TZ-1021608-A		- RH	F100/800	73-77	80.00 ea.
D3TZ-1021609-A		- LH	F100/800	73-77	80.00 ea.
	(A)	Vent Window Frame From Serial # Y00,001			
D7TZ-1021608-A		- RH	F100/800	78-79	80.00 ea.
D7TZ-1021609-A		- LH	F100/800	78-79	80.00 ea.

VENT WINDOW HANDLES

PART #	PIC	DESCRIPTION	MODEL	YEAR	PRICE
C60Z-6222916-PR		Vent Window Handle - RH & LH	F100/750	67	35.00 pr.
		Vent Window Handle Before Serial # Y00,001			
C80Z-5422916-B	(C)	- RH	F100/500	68-77	15.00 ea.
C80Z-5422917-B	(D)	- LH	F100/500	68-77	15.00 ea.
		Vent Window Handle w/button (From Serial # Y00,001 will work on 1979, but not correct)			
C8UZ-8922916-A	(E)	- RH	F100/350	77-78	30.00 ea.
C8UZ-8922917-A	(F)	- LH	F100/350	77-78	30.00 ea.
		Vent Window Handle w/button - In Black plastic Original Tooling			
D8UZ-1122917-A	(G)	- LH	F100/350	79	25.00 ea.
D8UZ-1122916-A	(H)	- RH	F100/350	79	25.00 ea.

DOOR WINDOW LIFT CHANNEL

PART #	PIC	DESCRIPTION	MODEL	YEAR	PRICE
C7TZ-8121458-A		<u>Door Glass Lift Channel</u> - RH or LH	F100/750	67-72	20.00 ea.
D9TZ-1021458-A	(I)	<u>Door Glass Lift Channel</u> - RH	F100/800	73-79	30.00 ea.
D9TZ-1021459-A		- LH	F100/800	73-79	30.00 ea.



DOOR GLASS TAPE KIT

PART #	PIC	DESCRIPTION	MODEL	YEAR	PRICE
8A-7021478		<u>Door Glass Channel</u> to Glass Tape Kit		ALL	6.00 kit

WINDOW REGULATOR

PART #	PIC	DESCRIPTION	MODEL	YEAR	PRICE
	(J)	<u>Window Regulator</u>			
C7TZ-8123200-A		- RH	F100/750	67	100.00 ea.
C7TZ-8123201-A		- LH	F100/750	67	100.00 ea.
C8TZ-8123200-A		- RH	F100/750	68-72	100.00 ea.
C8TZ-8123201-A		- LH	F100/750	68-72	100.00 ea.
	(K)	<u>Window Regulator</u>	F100/350	73-79	
D8TZ-1023200-A		- RH - Original Tooling			100.00 ea.
D8TZ-1023201-A		- LH - Original Tooling			100.00 ea.
D8TZ-1023200-X		- RH - IMPORTED			50.00 ea.
D8TZ-1023201-X		- LH - IMPORTED			50.00 ea.
C5AZ-57262A32-A	(L)	<u>Window Regulator Roller</u> - Plastic w/ pin - 11/16 O.D X 1/2" thick	F100/350	68-79	5.00 ea.



WINDOW CRANK HANDLE

PART #	PIC	DESCRIPTION	MODEL	YEAR	PRICE
		<u>Inside Window Crank Handle & Black Knob</u>			
C7TZ-8123342-A	(M)	- with screw - RH or LH	F100/750	67	27.00 ea.
C8AZ-6223342-A		- w/o knob - RH or LH	F100/750	68-72	20.00 ea.
D3AZ-6523342-A	(N)	- w/ clear plastic knob	F100/500	73-79	26.00 ea.
D4TZ-1023342-A	(O)	- w/ black knob	F100/500	73-79	25.00 ea.
C7TZ-8123342-B		<u>Inside Window Crank Handle & Black Knob</u> - with screw - RH or LH - NOT original tooling	F100/750	67	15.00 ea.
C8AZ-6223370-A		<u>Inside Window Crank Handle Escutcheon</u> - Plastic	F100/350	68-79	2.50 ea.
C8AZ-6223362-A	(P)	<u>Inside Window Crank Handle Screw Cover</u> - 7/8"	F100/750	68-72	2.50 ea.

M



N

P

WINDOW CRANK HANDLE KNOBS & PIN

PART #	PIC	DESCRIPTION	MODEL	YEAR	PRICE
C1TZ-8123345	(Q)	- Black	F100/750	67	6.00 ea.
D1AZ-6523352-K	(R)	- Black - Original Tooling	F100/750	68-72	7.50 ea.
D1SZ-6523352-B		- Blue - Original Tooling	F100/750	68-72	7.50 ea.
C8AZ-6223352-A1D		- Bright Red	F100/750	68-72	7.50 ea.
D1AZ-6523352-D		- Parchment	F100/750	68-72	7.50 ea.
D1AZ-6523352-H		- Green	F100/750	68-72	7.50 ea.
D1AZ-6523352-F		- Maroon - Original Tooling	F100/750	68-72	7.50 ea.
D3AZ-6523352-A	(S)	- Clear	F100/350	73-79	7.50 ea.
D4TZ-1023352-A		- Black	F100/350	73-79	7.50 ea.



Q

R

S

DOOR HANDLES

INSIDE DOOR HANDLES

PART #	PIC	DESCRIPTION	MODEL	YEAR	PRICE
C7TZ-8122600-A	(A)	- RH or LH	F100/750	67	12.00 ea.
C8AZ-6222600-B	(B)	- RH	F100/750	68-72	25.00 ea.
C8AZ-6222601-B		- LH	F100/750	68-72	25.00 ea.
D3TZ-1022600-A	(C)	Inside Door Handle - RH	F100/350	73-79	10.00 ea.
D3TZ-1022601-A		Inside Door Handle - LH	F100/350	73-79	10.00 ea.

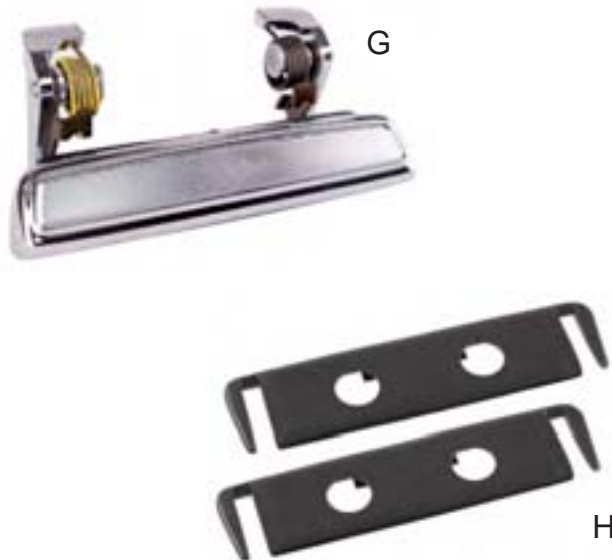


Compare Our Quality
TRIPLE CHROME. LASTS LONGER

OUTSIDE DOOR HANDLES

Handles include screws and pad - C7TZ Does not include push button

PART #	PIC	DESCRIPTION	MODEL	YEAR	PRICE
C7TZ-8122404-A C7TZ-8122405-A	(D)	Outside Door Handle - RH - LH	F100/750 F100/750	67-72 67-72	60.00 ea. 60.00 ea.
C7TZ-8122428	(E)	Outside Door Handle Pad Set	F100/750	67-72	8.00 set
C7TZ-8122454-A	(F)	Door Handle Button	F100/750	67-72	15.00 ea.
D8BZ-5422404-X D8BZ-5422405-X	(G)	Outside Door Handle - RH - w/ pad - Imported - LH - w/ pad - Imported	F100/350 F100/350	73-79 73-79	40.00 ea. 40.00 ea.
D3TZ-1022448-PR	(H)	Outside Door Handle Pads	F100/350	73-79	10.00 pr.



INSIDE DOOR HANDLE CUP

PART #	PIC	DESCRIPTION	MODEL	YEAR	PRICE
<i>Fits in door panel</i>					
C8AZ-6222634-A1A		- Black	F100/350	68-72	10.00 ea.
C8AZ-6222634-A1B		- Blue	F100/350	68-72	10.00 ea.
C8AZ-6222634-A1D		- Red	F100/350	68-72	10.00 ea.
C8AZ-6222634-A2U		- Parchment	F100/350	68-72	10.00 ea.



Compare Our Quality
Classic Parts From
Original Tooling
Perfect Fit and Finish

Compare Our Quality
HIGH GRADE PLASTIC WILL NOT FADE



Compare Our Quality
TRIPLE CHROME. LASTS LONGER

DOOR LOCK CYLINDERS & KEYS

PART #	PIC	DESCRIPTION	MODEL	YEAR	PRICE
C7TZ-8121984-PR		<u>Door Lock Set</u> - w/ (1) Keys - RH & LH	F100/350	67-72	60.00 ea.
D3TZ-1021984-PR		- w/ (1) Keys - RH & LH	F100/350	73-79	40.00 ea.
C7TZ-8122050-A	(I)	<u>Ignition Cylinder Assy.</u> <u>w/ (2) Door Lock</u> <u>Cylinders</u> - includes (1) Keys	F100/350	67-72	60.00 ea.
D8TZ-1022050-D	(J)	- includes (1) Keys	F100/500	73-78	40.00 ea.
F58Z-1622023-AA		<u>Door Lock Cylinder</u> <u>Retainer</u>	F100/350	73-96	7.00 ea.



DOOR LOCK KNOBS

PART #	PIC	DESCRIPTION	MODEL	YEAR	PRICE
C5DZ-6221999-B	(K)	<u>Door Lock Knob</u> <u>Grommet</u>	F100/750	68-72	2.00 ea.
C8AZ-6221850-A	(L)	<u>Door Lock Knob</u> <u>- Chrome</u>	F100/350	68-72	5.00 ea.
D5TZ-1021850-A	(M)	<u>Door Lock Knob</u> <u>- Black Plastic</u>	F100/350	73-79	4.00 ea.
D50Z-6521850-B	(N)	<u>Door Lock Knob</u> <u>- Chrome - Plastic</u>	F100/350	73-79	5.00 ea.



DOOR LOCK ROD RETAINER CLIP

PART #	PIC	DESCRIPTION	MODEL	YEAR	PRICE
E3TZ-1021952-A	(O)	<u>Door Latch Rod Clip</u> - Black - (4) per door	F100/350	73-74	1.00 ea.
E1DZ-5421952-A		- (2) per vehicle	F100/350	76-77	2.00 ea.
D9BZ-5421952-B		- (2) per vehicle	F100/350	78-79	15.00 ea.
D4TZ-1021952-B		- Green Color	F100/350	74	1.00 ea.
E6AZ-5421952-A	(P)	<u>Door Latch Control Rod</u> <u>Retainer - 2 per door</u>	F100/350	73-79	2.00 ea.



MISCELLANEOUS DOOR PARTS

PART #	PIC	DESCRIPTION	MODEL	YEAR	PRICE
380478-S	(Q)	<u>Door Bumper</u> - 1pr. does both doors	F100/750	67-72	5.00 pr.
C7TZ-8122803	(R)	<u>Door Hinge to Door Seal</u> <u>- Set of (4)</u>	F100/750	67-72	6.00 set
B9A-5943030-A	(S)	<u>Door Hinge Pin</u>	F100/750	67-72	3.00 ea.
C3AZ-5422841-B	(T)	<u>Door Hinge Pin Bushing</u>	F100/750	67-71	1.50 ea.
C7TZ-8123528-A	(U)	<u>Door Hinge Check Spring</u>	F100/750	67-72	3.00 ea.



DOOR LOCK COMPONENTS

PART #	PIC	DESCRIPTION	MODEL	YEAR	PRICE
D2VY-65219A38-B	(V)	<u>Front Door Latch Rod</u> <u>Bushing - RH & LH</u>	F100/500	73-77	3.00 ea.
D2AZ-6522008-A	(W)	<u>Door Latch Striker Plate</u> RH or LH	F100/350	73-79	25.00 ea.



DOOR LATCH LINK ASSEMBLY

PART #	PIC	DESCRIPTION	MODEL	YEAR	PRICE
C8AZ-6221818-A	(X)	- RH	F100/350	68-72	25.00 ea.
C8AZ-6221819-A		- LH	F100/350	68-72	25.00 ea.



DOOR PANELS

DOOR PANELS

PART #	PIC	DESCRIPTION	MODEL	YEAR	PRICE
--------	-----	-------------	-------	------	-------

All Our Door Panels Are Made Off of ORIGINAL FORD TOOLING and Complete With Armrest and Plastic Clips to Hold Panel to Door Does NOT include Finger Cups.

D8TZ-1023942-F6B		- Blue - RH	F100/350	73-79	100.00 ea.
D8TZ-1023943-F6B		- Blue - LH	F100/350	73-79	100.00 ea.
D8TZ-1023942-F9A		- Black - RH	F100/350	73-79	100.00 ea.
D8TZ-1023943-F9A		- Black - LH	F100/350	73-79	100.00 ea.
D8TZ-1023942-F5D		- Red - RH	F100/350	73-79	100.00 ea.
D8TZ-1023943-F5D		- Red - LH	F100/350	73-79	100.00 ea.



Molded in
ORIGINAL FORD
Colors
Make your Ford look like new!



DOOR PANELS - XLT

PART #	PIC	DESCRIPTION	MODEL	YEAR	PRICE
--------	-----	-------------	-------	------	-------

Includes Chromed Grille. Includes Arm Rest & Clips for XLT Models Does NOT include Upper Vinyl or Woodgrain Panel. Does NOT include Finger Cups

D8TZ-1023942-J9A		- Black - RH	F100/350	73-79	115.00 ea.
D8TZ-1023943-J9A		- Black - LH	F100/350	73-79	115.00 ea.
D8TZ-1023942-J6B		- Blue - RH	F100/350	73-79	115.00 ea.
D8TZ-1023943-J6B		- Blue - LH	F100/350	73-79	115.00 ea.
D9TZ-1023942-J9D		- Red - RH	F100/350	73-79	115.00 ea.
D9TZ-1023943-J9D		- Red - LH	F100/350	73-79	115.00 ea.



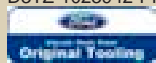
DOOR PANELS - OFF COLOR SECONDS

PART #	PIC	DESCRIPTION	YEAR	PRICE
--------	-----	-------------	------	-------

Special Deal - Off Color Seconds

Does not include Trim, Arm Rest or Upper Vinyl or Woodgrain Panel During production we make color changes resulting in off color panels. Must be painted and comes with clips. Call for availability.

D3TZ-1023942-PR		Door Panels - must be painted - Comes with Clips	F100/350	73-79	100.00 pr.
-----------------	--	--	----------	-------	------------



DOOR PANEL CLIPS

PART #	PIC	DESCRIPTION	MODEL	YEAR	PRICE
--------	-----	-------------	-------	------	-------

		(A) Door Panel Plastic Clip - holds door panel to door			
*387477-S		- (8) per door	F100/350	73-79	1.50 ea.
*387477-SET		- Set of (16)	F100/350	73-79	20.00 set
C8AZ-7020015		(B) Door Panel Metal Clip - set of 50 - For door panels that take metal clips - fits 73-75 only when using old door panels			9.50 set



A



B

DOOR ARM REST

PART #	PIC	DESCRIPTION	MODEL	YEAR	PRICE
Door Arm Rest - Black					
C8TZ-8127540-C1A	(D)	- Black - RH	F100/750	68-72	30.00 ea.
C8TZ-8127541-C1A		- Black - LH	F100/750	68-72	30.00 ea.
C8TZ-8127540-C1U		- Parchment - RH		68-72	30.00 ea.
C8TZ-8127541-C1U		- Parchment - LH		68-72	30.00 ea.
D3TZ-1024140-E		- RH - Black	F100/350	73-79	40.00 ea.
D3TZ-1024141-E		- LH - Black	F100/350	73-79	40.00 ea.
D3TZ-1024140-J		- RH - Blue	F100/350	73-79	40.00 ea.
D3TZ-1024141-J	(E)	- LH - Blue	F100/350	73-79	40.00 ea.
D3TZ-1024140-F		- RH - Red	F100/350	73-79	40.00 ea.
D3TZ-1024141-F		- LH - Red	F100/350	73-79	40.00 ea.



D



E



ARM REST FINGER CUPS

PART #	PIC	DESCRIPTION	MODEL	YEAR	PRICE
Finger Cups are paint to match items & are RH or LH					
	(F)	Arm Rest Finger Cup - w/o Screws	F100/350	73-79	12.00 ea.
D3TZ-1024142-A		- Black			
D3TZ-1024142-RD		- Red			
D3TZ-1024142-BU		- Blue			
D3TZ-1024142-M	(G)	Arm Rest Finger Cups - Black Metal - w/ Screws	F100/350	73-79	10.00 pr.



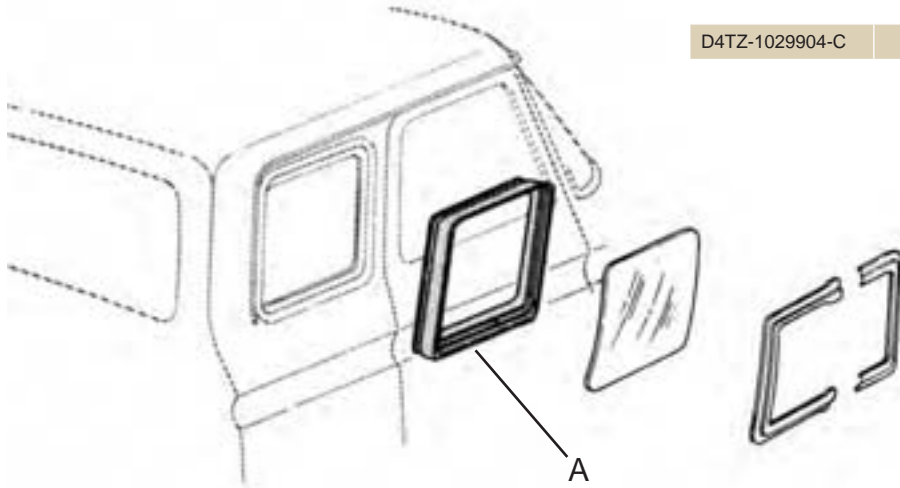
F



G

QUARTER WINDOW SEAL - SUPER CAB

PART #	PIC	DESCRIPTION	MODEL	YEAR	PRICE
D4TZ-1029904-A	(A)	- Stationary type - w/o Moulding	F100/350	74-79	60.00 pr.
D7TZ-1329904-A	(A)	- Stationary type - w/ Stainless Moulding	F100/350	74-79	60.00 pr.
D7TZ-1329904-S		- Stationary type - with Groove for Flexible Plastic - Chrome Mouldings	F100/250	74-79	60.00 pr.
D4TZ-1029904-C		- Movable Windows	F100/350	77-79	60.00 pr.



QUARTER WINDOW CHROME

PART #	PIC	DESCRIPTION	MODEL	YEAR	PRICE
D7TZ-1042430-A		<u>Flexible Plastic Chrome</u> - 12 1/2 ft.			30.00 ea.
D7TZ-1042436-A		<u>Flexible Plastic Chrome Moulding Connector</u>	F100/350	77-79	5.00 ea.
D7TZ-1042430-KIT	(B)	<u>Flexible Plastic Chrome Moulding Kit</u> - for Super Cab Stationary Quarter Window - 1 - D7TZ-1042430-A - 2 - D7TZ-1042436-A	F100/350	77-79	35.00 kit

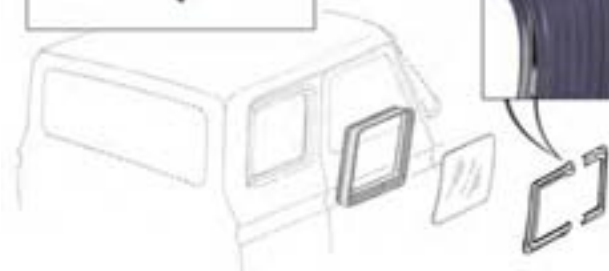
D7TZ-1042436-A



D7TZ-1042430-A



(B)



QUARTER WINDOW HINGE

PART #	PIC	DESCRIPTION	MODEL	YEAR	PRICE
D5FZ-73302A12-A		<u>Quarter Window Plastic Hinge Assy.</u> - For Swing Out Window - (2) per window	F100/350	73-79	15.00 ea.



COAT HANGER HOOK

PART #	PIC	DESCRIPTION	MODEL	YEAR	PRICE
E0AZ-5429024-A	(C)	Coat Hanger Hook - Black Slips Over Retainer	F100/350	68-86	3.00 ea.
C8AZ-6229232-A	(D)	Coat Hook Retainer - Plastic	F100/350	68-86	3.00 ea.



BODY SIDE PANEL GROMMET

PART #	PIC	DESCRIPTION	YEAR	PRICE
377977-S	(E)	Inside Cab Corner Rubber Plug - (1)pr. per vehicle	73-79	4.00 pr.



SEAT BACK PIVOT COVERS

PART #	PIC	DESCRIPTION	Model	YEAR	PRICE
<u>Seat Back Pivot Covers</u> - Chrome Plated Plastic					
C7TZ-8161694-PR	(F)	Left & Right Hand	F100/350	67-72	35.00 pr.
D6TZ-1061694-A		Right Hand	F100/350	74-79	25.00 ea.
D6TZ-1061695-A		Left Hand	F100/350	74-79	25.00 ea.

SEAT TRACK ADJUSTMENT KNOB/CLIP

PART #	PIC	DESCRIPTION	Model	YEAR	PRICE
C5AZ-6261753-BA	(G)	Seat Track Adjustment Knob - Black - F100/350 w/ clip		65-86	4.00 ea.
C5AZ-6262060-A	(H)	Seat Adjustment Knob Retainer Clip - F100/350 - Sold Separately		65-86	1.50 ea.

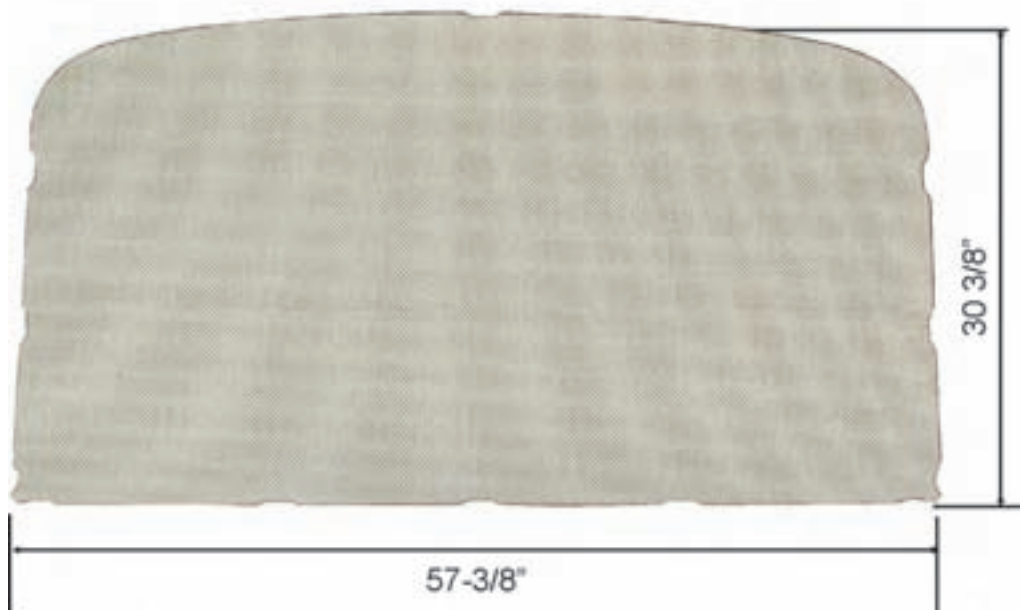


HEADLINERS

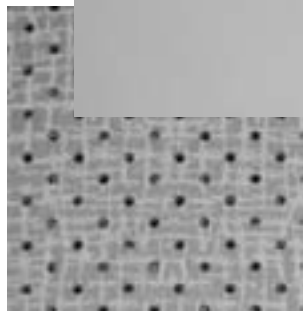
PART #	PIC	DESCRIPTION	MODEL	YEAR	PRICE
C8TZ-8151968-A	(A)	- Gray - 57.5" x 31"	F100/750	67-72	110.00 ea.
C8TZ-8151968-PL		- Perforated	F100/750	67-72	110.00 ea.
D3TZ-1051990-G	(B)	- Gray - Stan. Interior	F100/350	73-79	100.00 ea.
D3TZ-1051990-B		- w/ Perforated Holes	F100/350	73-79	60.00 ea.
		- Non-Perforated			



A

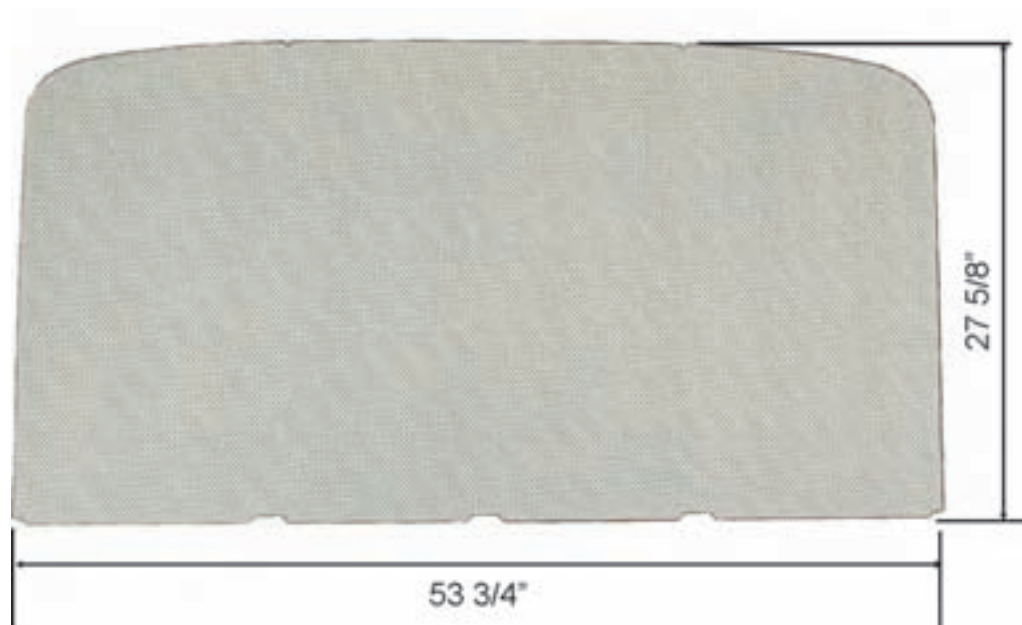


Non-Perforated



Perforated

B



METAL REPAIR PANELS

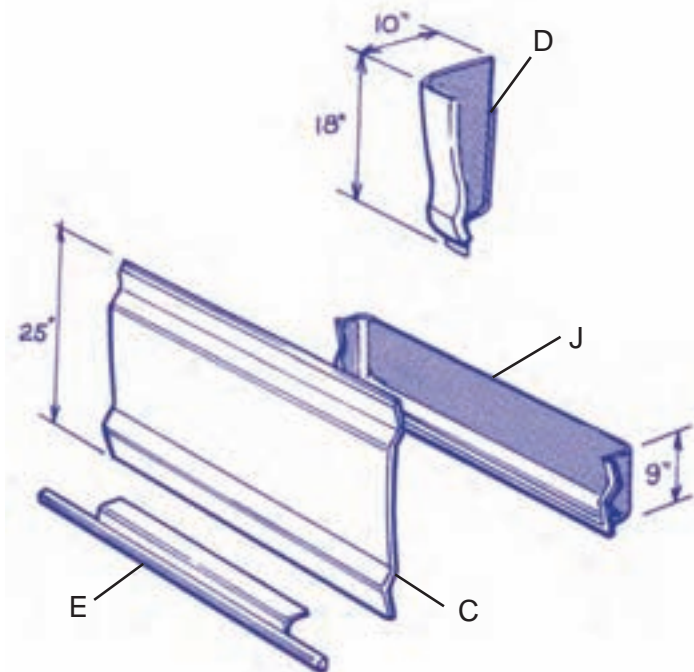
PART #	PIC	DESCRIPTION	MODEL	YEAR	PRICE
D6TZ-10280A58-A		<u>Body Side Rear Cab Corner</u> - RH - Full Length LIMITED SUPPLY LH SOLD OUT	F100/350	73-79	50.00 ea.
C7TZ-8120378-R C7TZ-8120378-L D3TZ-8120378-R D3TZ-8120378-L	(J)	<u>Inner Door Bottom Panel</u> - RH - LH	F100/750 F100/750 F100/750 F100/750	67-72 67-72 73-79 73-79	65.00 ea. 65.00 ea. 70.00 ea. 70.00 ea.
C7TZ-8120200		<u>Door Lower Outside Repair Panel</u> - RH or LH - 22" x 33"	F100/750	67-72	90.00 ea.
D3TZ-8120200-R D3TZ-8120201-L	(C)	<u>Door Outer Skin</u> - RH - LH	F100/350 F100/350	73-79 73-79	85.00 ea. 85.00 ea.
C7TZ-8140302-R C7TZ-8140303-L D3TZ-8140302-R D3TZ-8140303-L	(D)	<u>Cab Back Lower Corner Panel</u> - RH - LH - RH - 18" x 10" - LH - 18" x 10"	F100/750 F100/750 F100/750 F100/750	67-72 67-72 73-79 73-79	30.00 ea. 30.00 ea. 40.00 ea. 40.00 ea.
C7TZ-8110110-PR		<u>Rocker Repair Panels</u>	F100/750	67-72	60.00 pr.
D3TZ-8110110-PR	(E)	<u>Lower Outer Rocker Panel Patch</u> - Sold in Pairs	F100/350	73-79	40.00 pr.

FLOOR PAN

PART #	PIC	DESCRIPTION	MODEL	YEAR	PRICE
		<u>Floor Pan</u> - <u>Front Section</u> - 23" x 33"			
C7TZ-1011135-R	(X)	- RH	F100/350	65-79	60.00 ea.
C7TZ-1011135-L	(Y)	- LH	F100/350	65-79	60.00 ea.
C5TZ-8110624	(G)	<u>Floor Pan Center Reinforcement Ends</u> - (2) per truck	F100/350	67-72	80.00 ea.



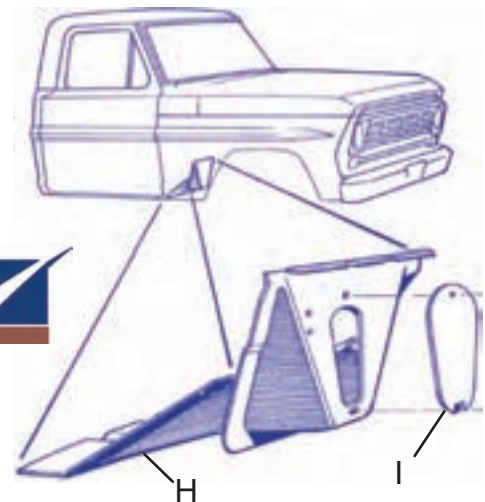
* measurements follow contour of floor pans



CAB MOUNTS

PART #	PIC	DESCRIPTION	MODEL	YEAR	PRICE
C5TZ-10112A70	(H)	<u>Front Cab Mount</u> - RH	F100/350	65-79	85.00 ea.
C5TZ-10112A71 C8TZ-10112A71		<u>Front Cab Mount</u> - LH - LH	F100/350 F100/350	65-67 68-79	85.00 ea. 85.00 ea.
C5TZ-81111B80-A	(I)	<u>Cab Mount Inspection Plate</u>	F100/350	65-79	10.00 ea.

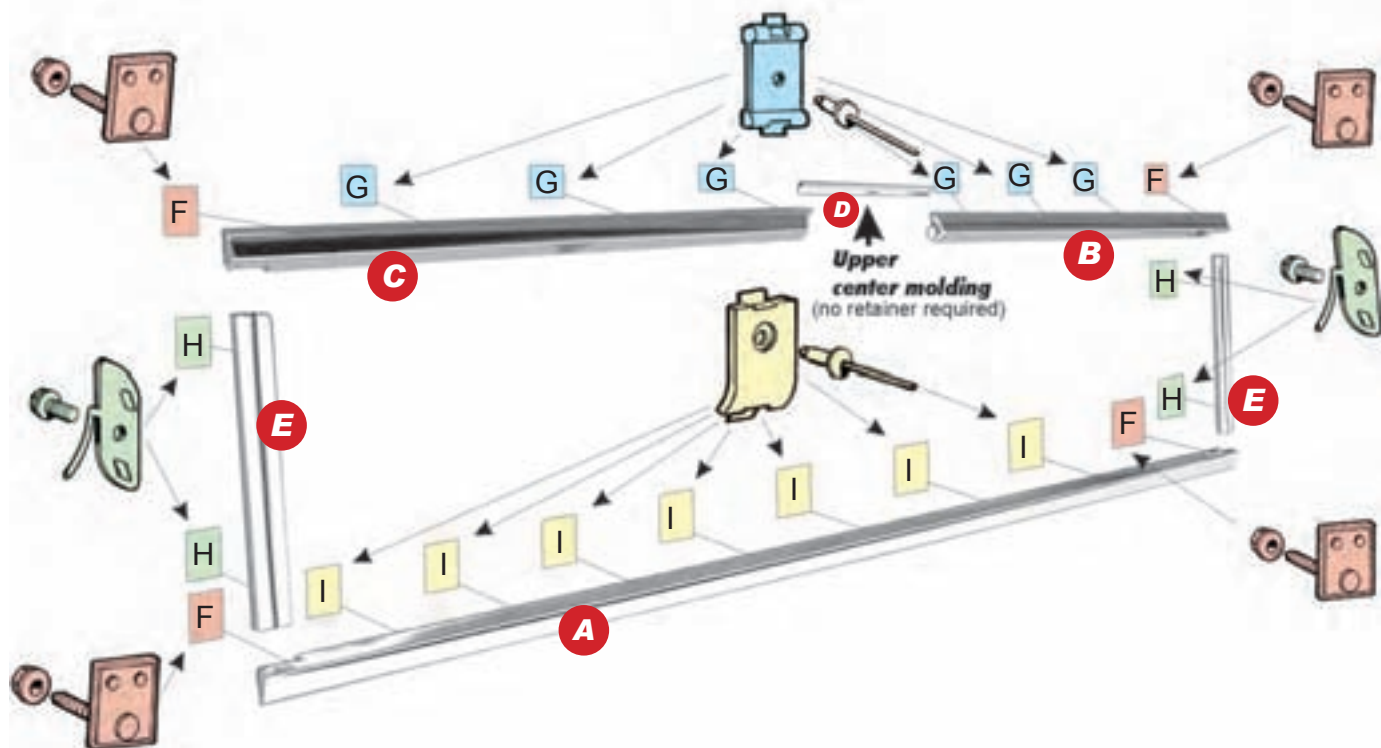
Compare Our
Quality
MADE IN THE U.S.A.



TAILGATE STYLE SIDE - 67-72

TAILGATE MOULDINGS & CLIPS - STYLE SIDE 67-72

PART #	PIC	DESCRIPTION	MODEL	PRICE
Tailgate Mouldings include Clips				
C7TZ-9941018-B	(A)	Tailgate Mouldings - Lower	F100/250	65.00 ea.
C7TZ-9941018-A	(B)	- Upper RH	F100/250	40.00 ea.
C7TZ-9941019-A	(C)	- Upper LH	F100/250	40.00 ea.
C7TZ-99423A94-A	(D)	- Upper Center	F100/250	30.00 ea.
C7TZ-9942570-A	(E)	- Side - RH or LH - need (2) per truck	F100/250	25.00 ea.
C7TZ-99407A12-A	(F)	Moulding Clip	F100/250	2.50 ea.
C7TZ-99407A12-B	(G)	Moulding Clip	F100/250	2.00 ea.
C7TZ-99407A12-D	(H)	Moulding Clip	F100/250	2.50 ea.
C7TZ-99407A12-C	(I)	Moulding Clip	F100/250	2.00 ea.



TAILGATE STYLE SIDE 67-72

TAILGATE FINISH PANEL - STYLE SIDE

PART #	PIC	DESCRIPTION	MODEL	YEAR	PRICE
Finish Panels are made of Aluminum and include Rivets					
C8TZ-99425A34-A		<u>Outside Finish Panel</u> Fits: - Custom & Ranger before serial # F70,001 - Sport Custom	F100/250	68-70	200.00 ea.
D1TZ-99425A34-A		Outside Finish Panel - Sports Custom	F100/250	71-72	200.00 ea.

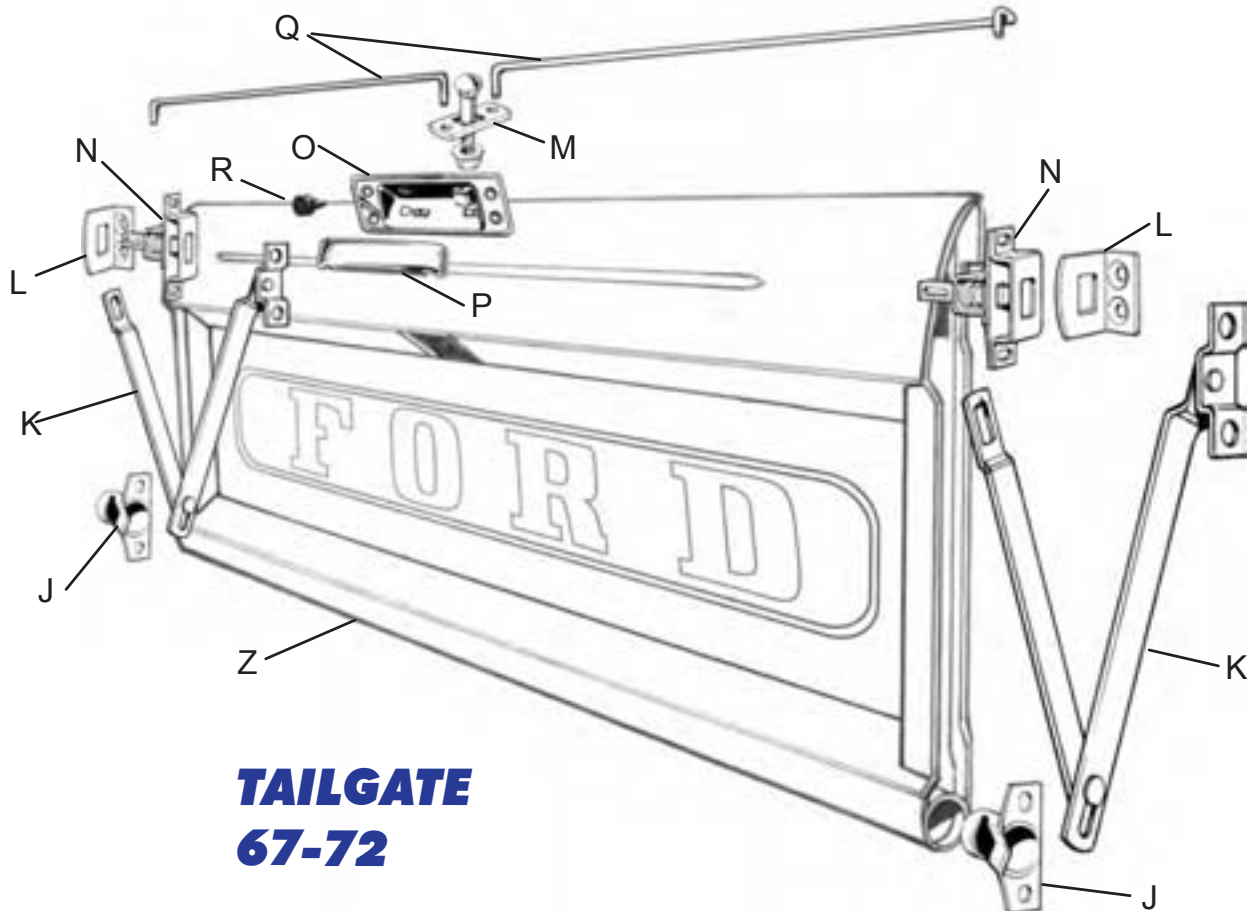


TAILGATE HINGE & SUPPORTS - STYLE SIDE

PART #	PIC	DESCRIPTION	MODEL	YEAR	PRICE
C4TZ-9943000-A	(J)	<u>Tailgate Hinge</u> - RH or LH	F100/250	64-72	25.00 ea.
C4TZ-9944400-A	(K)	<u>Tailgate Supports</u> - (2) per truck	F100/250	67-72	35.00 ea.

TAILGATE LATCH RELATED - STYLE SIDE

PART #	PIC	DESCRIPTION	MODEL	YEAR	PRICE
C4TZ-99431B54-A	(L)	<u>Tailgate Body Latch</u> - (2) per truck	F100/250	64-72	15.00 ea.
C4TZ-99431D72-S	(M)	<u>Tailgate Release Lever & Bolt Assembly</u>	F100/250	64-72	15.00 ea.
C4TZ-99431D76-A	(N)	<u>Tailgate Latch Release Bracket Assembly</u> - RH or LH	F100/250	64-72	45.00 ea.
C4TZ-99431C78-B	(O)	<u>Latch Release Handle Mounting Plate</u> - Zinc Plated	F100/250	67-72	30.00 ea.
C4TZ-99431C78-SS		- Polished Stainless Steel	F100/250	64-72	40.00 ea.
C4TZ-99431C78-KIT		<u>Crush Nuts</u> - to install tailgate handle mounting plate - not included in plate	F100/250	64-72	10.00 kit
380369-S	(R)	<u>Tailgate Handle Rubber Bumper</u> - goes on mounting plate	F100/250	64-72	1.00 ea.
52363-S4		<u>Latch Release Handle Mounting Plate Screws</u> - Stainless - Set of (4)	F100/250	64-72	2.00 set
C4TZ-99431B82-A	(P)	<u>Latch Release Handle</u> - Zinc Plated	F100/250	67-72	25.00 ea.
C7TZ-99431B82-A		- Chrome Plated	F100/250	67-72	33.00 ea.
C7TZ-99431B82-SS		- Stainless Steel	F100/250	67-72	30.00 ea.
C4TZ-99431A78-PR	(Q)	<u>Tailgate Release Lever Rods</u>	F100/250	64-72	15.00 pr.



**TAILGATE
67-72**

TAILGATE - STYLE SIDE 73-79

TAILGATE - STYLE SIDE

PART #	PIC	DESCRIPTION	MODEL	YEAR	PRICE	PART #	PIC	DESCRIPTION	MODEL	YEAR	PRICE
D7TZ-9940700-A	(A)	Tailgate - No Hardware	F100/350	73-79	400.00 ea.	D7TZ-9940700-R		Tailgate- Style Side - Imported - NO Ford Letters - Thinner Metal	F100/350	73-79	200.00 ea.

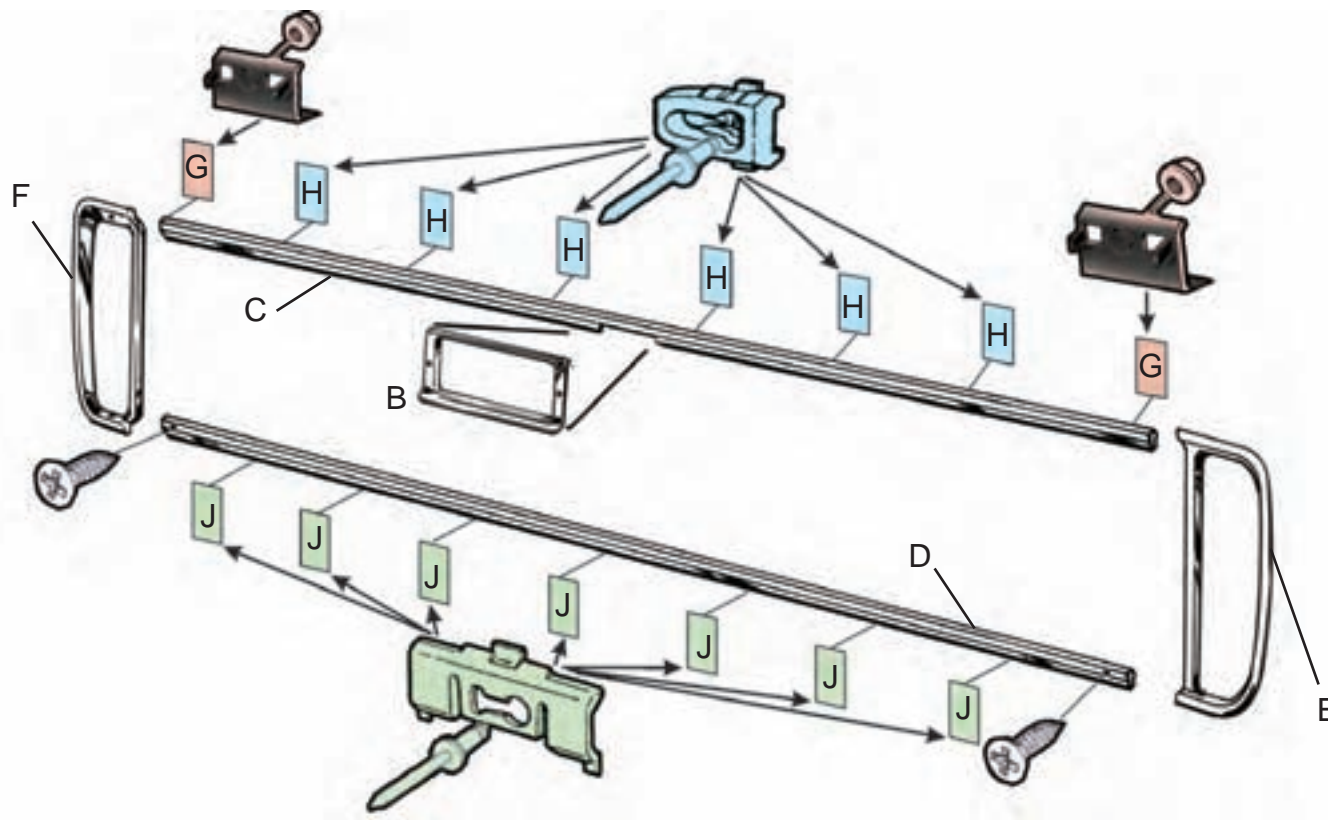


A



TAILGATE MOULDINGS & CLIPS - STYLE SIDE 73-79

PART #	PIC	DESCRIPTION	MODEL	YEAR	PRICE
D3TZ-99404B50-A	(B)	Tailgate Handle Opening Moulding	F100/350	73-79	25.00 ea.
D3TZ-9941018-B	(C)	Tailgate Outside Moulding - Clips included - Upper	F100/350	73-79	60.00 ea.
D3TZ-9941018-A	(D)	- Lower	F100/350	73-79	60.00 ea.
D3TZ-99279A66-A	(E)	Taillamp Rim Moulding - RH	F100/350	73-79	75.00 ea.
D3TZ-99279A67-A	(F)	- LH	F100/350	73-79	75.00 ea.
D3TZ-99407A12-A	(G)	Moulding Clip - Metal	F100/350	73-79	2.00 ea.
D0VY-6520818-A	(H)	Moulding Clip	F100/350	73-79	2.00 ea.
D3TZ-99407A12-B	(J)	Moulding Clip - Plastic	F100/350	73-79	2.00 ea.



TAILGATE - STYLE SIDE 73-79

TAILGATE FINISH PANEL - STYLE SIDE

PART #	PIC	DESCRIPTION	MODEL	YEAR	PRICE
D3TZ-99425A34-A	(K)	Tailgate Outside Finish Panel - (Center includes Ford Letters)	F100/350	73-79	200.00 ea.
D3TZ-99425A34-B	(L)	Upper Tailgate Outside Finish Panel - in black	F100/350	73-79	250.00 ea.

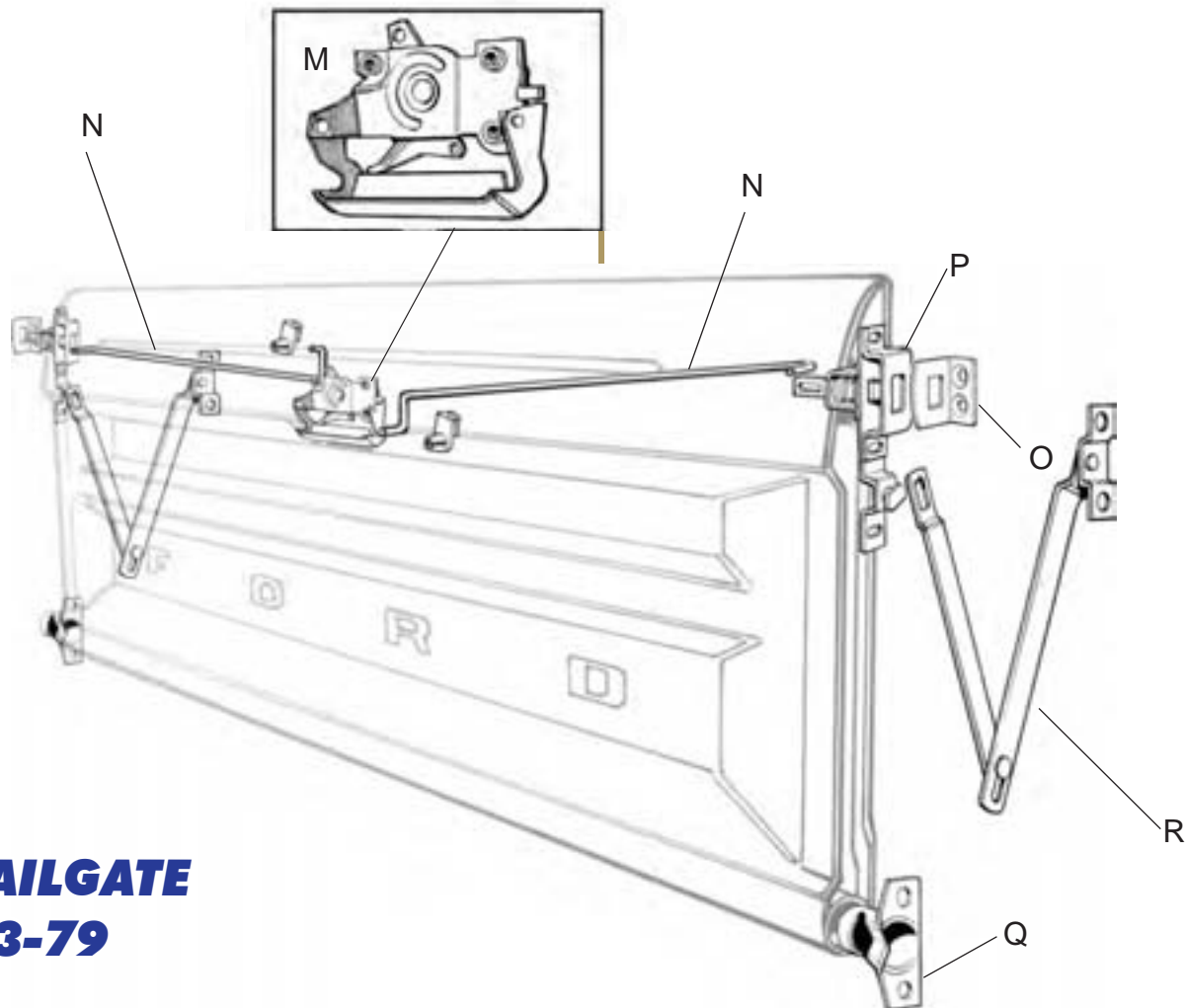


TAILGATE LATCH RELATED - STYLE SIDE

PART #	PIC	DESCRIPTION	MODEL	YEAR	PRICE
D6TZ-9943400-A D9TZ-9943400-AC	(M)	Tailgate Release Lever - zinc plated - chrome	F100/350 F100/350	73-79 73-79	70.00 ea. 90.00 ea.
E1DZ-5421952-A		Tailgate Handle Rod Retainer Clip	F150-350	76-79	2.00 ea.
E6AZ-5421952-A		Tailgate Handle to Rod Bushing - (2) per truck	F100/350	74-86	2.00 ea.
D6TZ-99431A78-PR	(N)	Tailgate Release Rods	F100/350	73-79	15.00 pr.
C4TZ-99431B54-A	(O)	Tailgate Body Latch - (2) per truck	F100/350	64-79	15.00 ea.
D3TZ-99431D76-A	(P)	Tailgate Latch - RH	F100/350	73-79	40.00 ea.
D3TZ-99431D77-A		Tailgate Latch - LH	F100/350	73-79	40.00 ea.

TAILGATE HINGE & SUPPORTS - STYLE SIDE

PART #	PIC	DESCRIPTION	MODEL	YEAR	PRICE
D3TZ-9943018-A	(Q)	Tailgate Hinge - (2) per truck	F100/350	73-79	20.00 ea.
C4TZ-9944400-A	(R)	Tailgate Support - (2) per truck	F100/350	67-79	35.00 ea.



**TAILGATE
73-79**

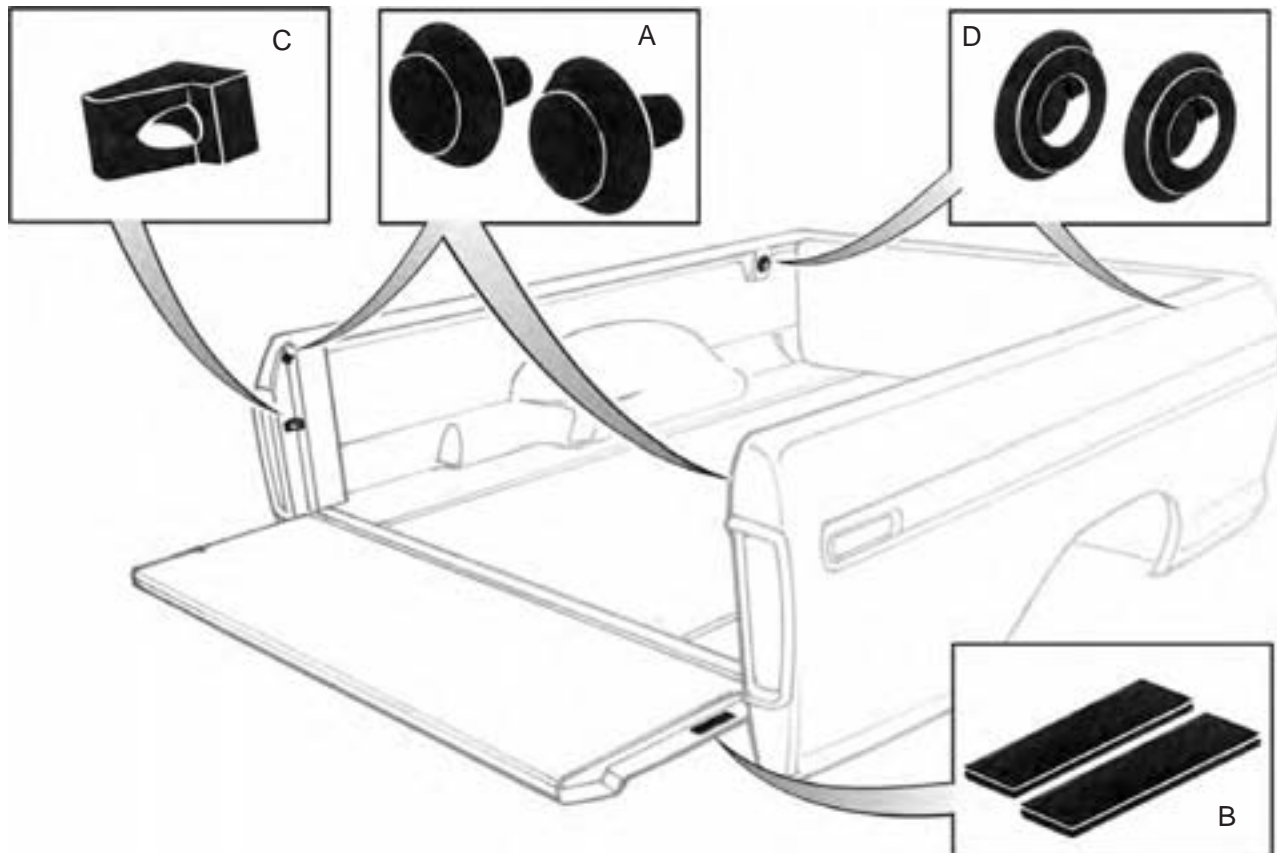
TAILGATE RUBBER

TAILGATE BUMPERS - STYLESIDE

PART #	PIC	DESCRIPTION	MODEL	YEAR	PRICE
C4TZ-9940224	(A)	Tailgate Upper Bumpers on Pillar	F100/350	64-79	4.00 pr.
D3TZ-99439A01-A	(B)	Tailgate Lower Side Bumpers - on Tailgate	F100/350	73-79	6.00 pr.
C4TZ-9944482-A	(C)	Tailgate Support Retaining Bumper - (2) per truck	F100/350	64-79	4.50 ea.

PICKUP BED ACCESS HOLE PLUG

PART #	PIC	DESCRIPTION	MODEL	YEAR	PRICE
377949-S	(D)	Rubber Plug for Access hole at Front of Bed to access Molding Fastener - Takes 2	F100/350	73-79	1.00 ea.



TOOLBOX SEAL

PART #	DESCRIPTION	MODEL	YEAR	PRICE
D3TZ-99461A00-A	Bed Tool Box Door Seal	F100/350	73-79	25.00 ea.



BED TO FRAME BOLT KIT

PART #	DESCRIPTION	MODEL	YEAR	PRICE
384865-KIT	Bed to Frame Bolt Kit - Exc. w/ Toolbox & Aux Gas Tank - Styleside Bed - Set of (8)	F100/350	64-79	25.00 ea.



TAILGATE NAME PLATE

PART #	PIC	DESCRIPTION	MODEL	YEAR	PRICE
D6UZ-1142528-A		Tailgate Nameplate - "Trailer Special"	F100/350	77-79	30.00 ea.



CAMPER SHELL LIFTGATE

PART #	DESCRIPTION	MODEL	YEAR	PRICE
C5AZ-6221954-B	Latch Rod Retainer Clip - for original Ford camper shells	F100/350	73-79	10.00 ea.



BED TIE DOWN HOOKS

PART #	PIC	DESCRIPTION	MODEL	YEAR	PRICE
D3TZ-9900064-A	(E)	Pickup Box Tie Down Hook - for Style Side -8 per truck - w/ screws & retainers - w/ installation instructions	F100/350	67-79	20.00 ea.
D3TZ-9900078-A	(F)	Tie Down Hook Pad - (8) per truck	F100/350	67-79	3.00 ea.



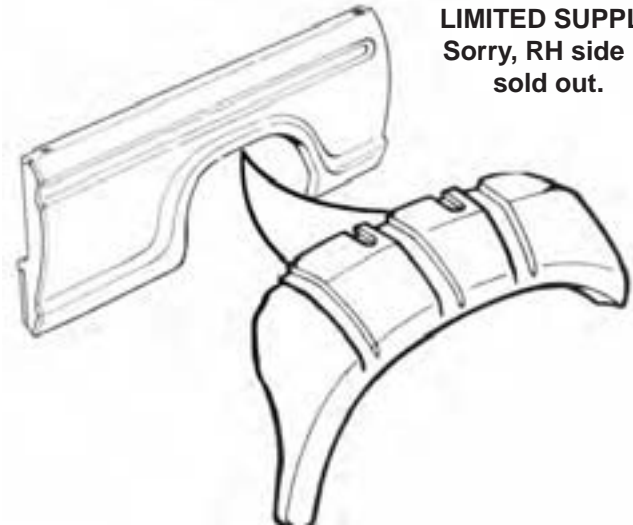
PICKUP BED TOP SIDE RAIL KIT - STYLE SIDE

PART #	DESCRIPTION	MODEL	YEAR	PRICE
<u>Pickup Bed Top Side Rail Kit</u>				
D3TZ-9932230-C	- 6 3/4 ft. bed	F100/350	73-96	395.00 kit
D3TZ-9932230-B	- 8 ft. bed	F100/350	73-96	395.00 kit



INSIDE WHEELHOUSE PANEL

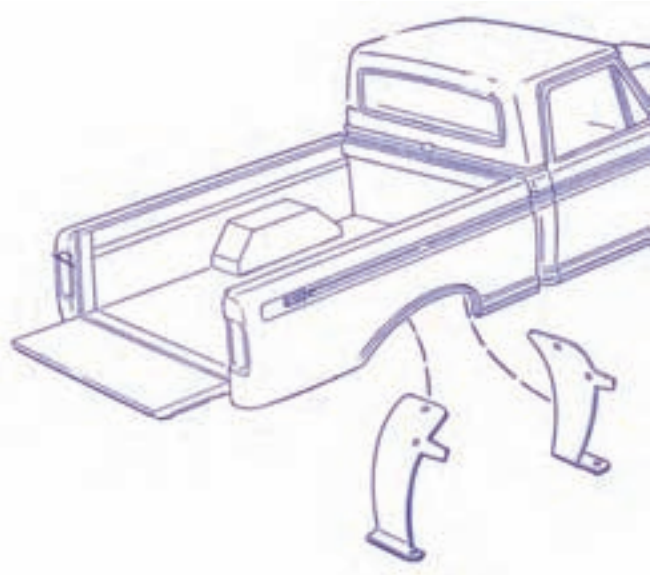
PART #	PIC	DESCRIPTION	MODEL	YEAR	PRICE
D4TZ-9927887-A		Inside Wheelhouse Panel - Genuine Ford - LH - Styleside From Serial # S20,001 to #Y60,001 From Serial # Y60,001 Crew Cab	F100/250 F100/350 F350	73-79 77-79 73-79	100.00 ea.



LIMITED SUPPLY
Sorry, RH side is
sold out.

REAR WHEEL OPENING SPLASH SHIELD

PART #	PIC	DESCRIPTION	MODEL	YEAR	PRICE
D7TZ-9928370-A		Rear Wheel Opening Splash Shield - From Serial # Y80,001 - Takes (4) per truck - RH or LH	F100/350	76-79	15.00 ea.



STEP SIDE TAILGATE

TAILGATE - STEPSIDE

PART #	PIC	DESCRIPTION	MODEL	YEAR	PRICE
B7C-8340700-A	(A)	Tailgate - Step Side Only - Original Tooling! - No Hardware	F100	67-72	375.00 ea.
B7C-8340700-NH		Tailgate - for Step Side w/ no hooks or chains	F100	53-72	400.00 ea.
B7D-8340700-A	(B)	Tailgate - Step Side Bed - No Hardware	F250-350 F100/350	67-79 73-79	400.00 ea.



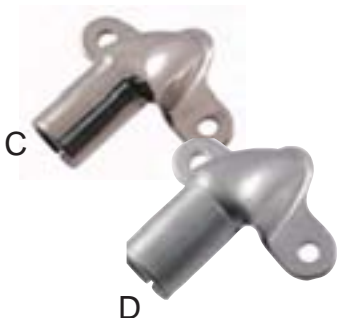
A



B

STEPSIDE TAILGATE HINGE

PART #	PIC	DESCRIPTION	MODEL	YEAR	PRICE
8C-8343018	(C)	Tailgate Hinge - Stepside - Zinc Plated Steel	F100/250	67-79	6.00 ea.
8C-8343018-SS	(D)	- Polished Stainless Steel		67-79	15.00 ea.
BAAA-8340725-A	(E)	Side of Tailgate to Bed Bumpers - Fits in tailgate side	F100/250	67-72	4.00 pr.



C

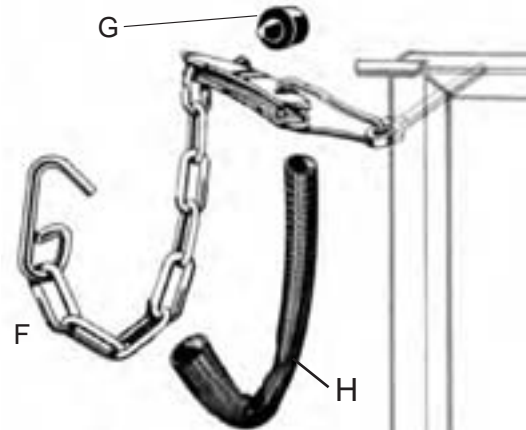
D



E

STEPSIDE TAILGATE CHAIN RELATED

PART #	PIC	DESCRIPTION	MODEL	YEAR	PRICE
BAAA-8344456-A		Tailgate Chains & Brackets - w/ Rubber Cover & Bumpers - Steel Zinc Plated		67-72	80.00 pr.
BAAA-8344456-SS		- Stainless Steel		67-72	120.00 pr.
7C-8144450-S	(H)	Tailgate Chain Rubber Coverings	F100/250	48-79	10.00 pr.
B3TZ-8344456-D	(F)	Tailgate Chains & Brackets w/ Rubber cover - Zinc Plated Steel	F100/250	73-79	80.00 pr.
B3TZ-8344456-SS		- Polished Stainless Steel	F100/250	73-79	150.00 pr.
BAAA-8344458-S	(G)	Tailgate Chain Special Rubber Bumper - Fits in bracket	F100/250	67-79	5.00 pr.

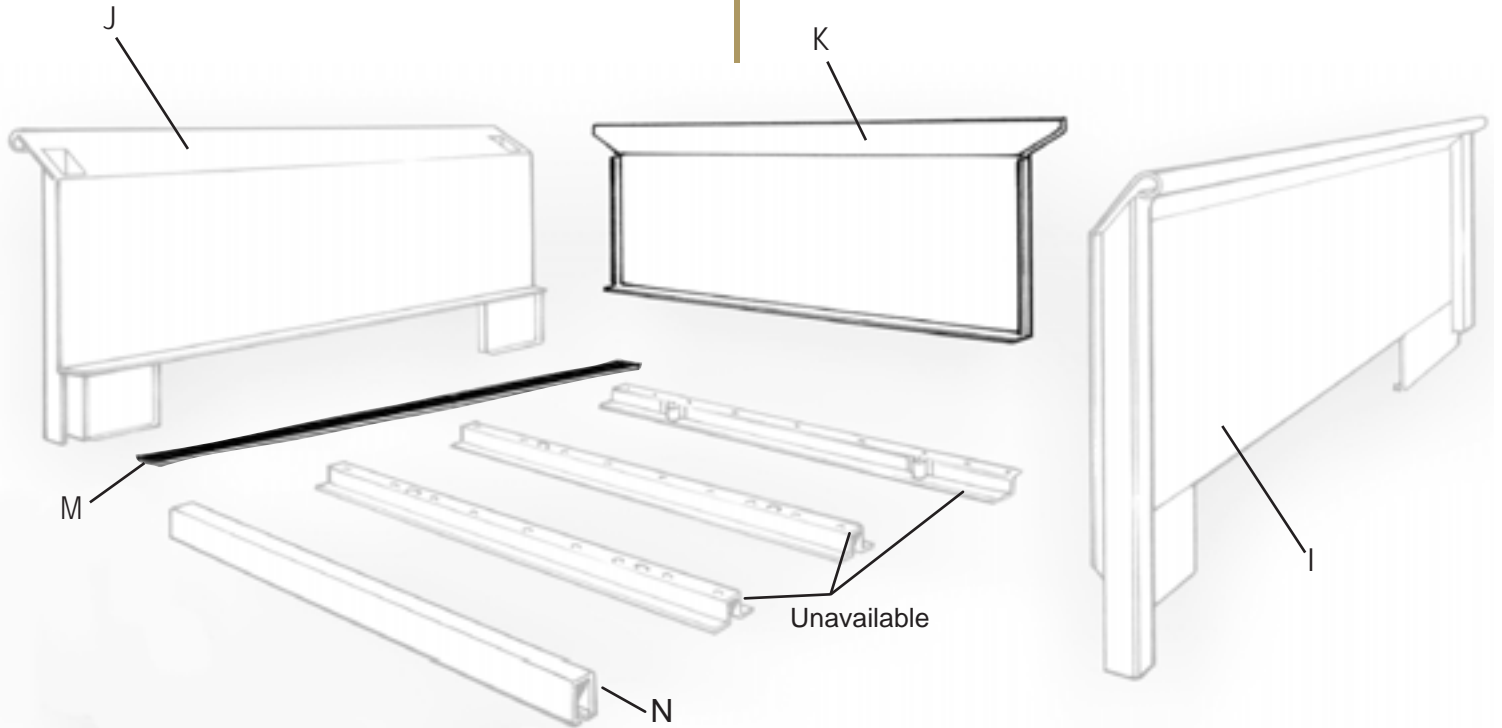


STEPSIDE TAILGATE LATCH

PART #	DESCRIPTION	MODEL	YEAR	PRICE
TG-8344456-PR	Tailgate Latch in top of Tailgate Roll - Does away with the Chains	F100/250	53-79	120.00 pr.

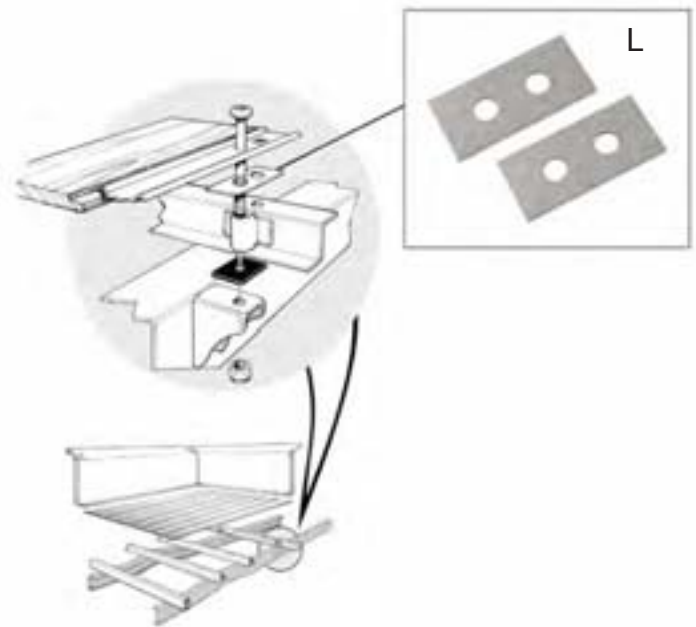


STEP SIDE BED PARTS



BED SIDE & RELATED - STEP SIDE

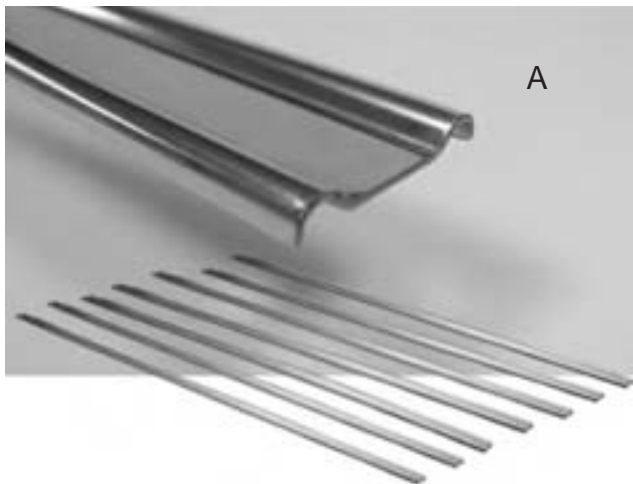
PART #	PIC	DESCRIPTION	YEAR	PRICE
<u>Bed Side</u>				
*BAAA-8327840-A	(I)	- RH Side for 6' Bed	67-72	325.00 ea.
*BAAA-8327841-A	(J)	- LH Side for 6' Bed	67-72	325.00 ea.
*NOTE: For each order of Bed Sides, please add \$75.00 for special crating & handling. The Bed Sides must be shipped via commercial truck line with the shipping charges collect to the customer.				
BAAA-8300124-A	(K)	<u>Front of Box Panel for Pick-Up</u> - With 110", 114", & 115" wheel base	67-72	150.00 ea.
8C-8110611-PR	(L)	<u>Front Bed Cross Member to Bed</u> <u>Wood Spacers - Metal</u>	48-72	4.00 pr.
7C-8144150-S	(M)	<u>Box Side to Wood Floor Seal - Rubber</u>	48-72	15.00 pr.
BAAA-8310608-A	(N)	<u>Rear Bed Runner</u>	51-72	80.00 ea.



STEP SIDE BED STRIPS

BED STRIPS - NO HOLES

PART #	PIC	DESCRIPTION	PRICE
*NOTE: Bed Strips 144" long must be shipped by commercial truck lines freight collect. - NO holes			
BAAA-8112605-CRU BAAA-8112605-SSU		Bed Strips Sets - Cold Rolled Steel - 95" - set of 7 - Bright Stainless Steel - 95"-set of 7	50.00 set 150.00 set
7C-8112605-ECR 7C-8112605-ESS	(A)	Bed Strip - 76 3/4" - Cold Rolled Steel - Bright Stainless Steel	12.00 ea. 27.00 ea.
BAAA-8112605-ECR BAAA-8112605-ESS	(A)	Bed Strip - 95" - Cold Rolled Steel - Bright Stainless Steel	8.00 ea. 25.00 ea.
*B6C-8112605-CR *B6C-8112605-SS		Bed Strip - Cold Rolled Steel - 12' (144") - Stainless Steel - 12' (144")	20.00 ea. 30.00 ea.



BOLT KIT - for Bed Strips ONLY

PART #	PIC	DESCRIPTION	PRICE
To install them you must first drill a 9/32" hole in the strip for a press fit.			
BAAA-8112612-PF	(B)	- Plain Finish - Knurled	35.00 kit

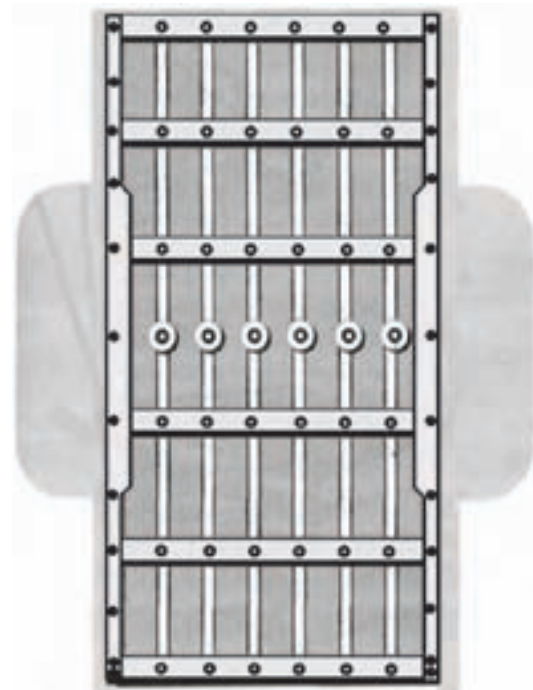


BOLT KIT - for Bed Strips & Bed Sides

PART #	PIC	DESCRIPTION	YEAR	PRICE
To install them you must first drill a 9/32" hole in the strip for a press fit.				
BAAA-8112615-PF		- Plain Finish -		42.50 kit

BED STRIP BOLTS

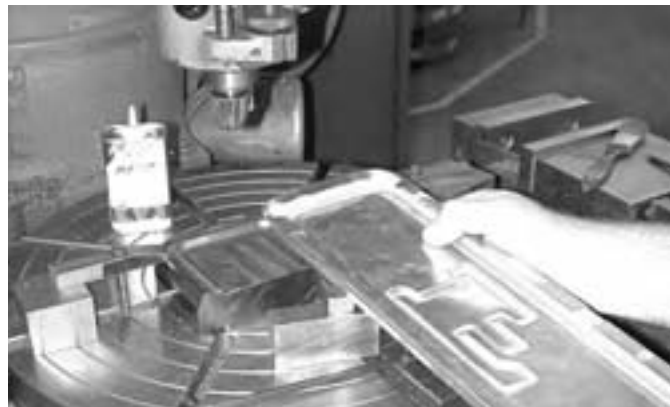
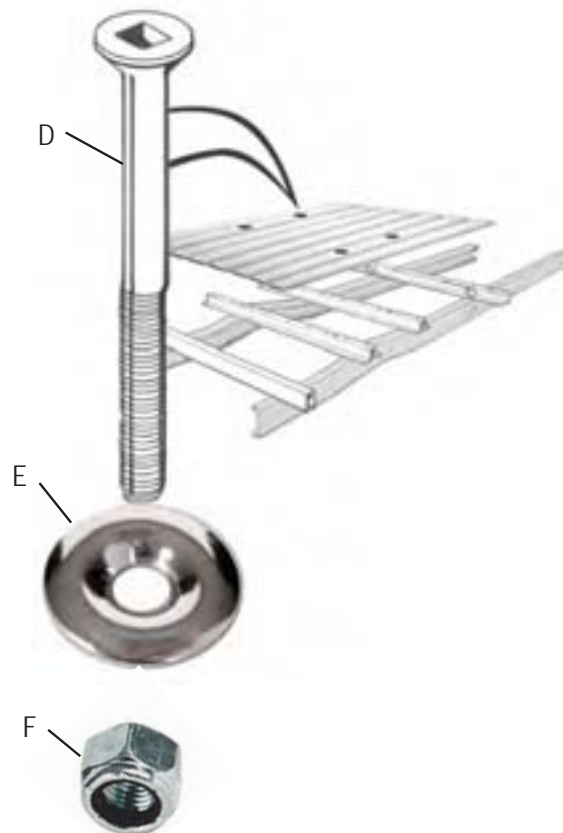
PART #	PIC	DESCRIPTION	PRICE
*NOTE: Bolts for above strips (No Holes) These bolts have knurled underheads. To install them you must first drill a 9/32" hole in the strip for a press fit.			
23503-P	(B)	Bolt - Knurled - Plain Finish	1.00 ea.



8 ft.

BED TO FRAME PARTS

PART #	PIC	DESCRIPTION	YEAR	PRICE
350623-S	(D)	Bed to Frame Bolt - No nuts - need (4) per bed - Bolts are 7/16"x20 thread - Cadmium Plated	48-79	3.50 ea.
7C-8144440		<u>Counter Sunk Washer</u> - Cold rolled steel - Cadmium plated	67-79	1.50 ea.
7C-8144440-SS	(E)	- Stainless Steel	67-79	2.50 ea.
34447-S2	(F)	Self Locking Nut for Bed to Frame Bolt (350620-S8 & 350623-S)	67-79	1.00 ea.



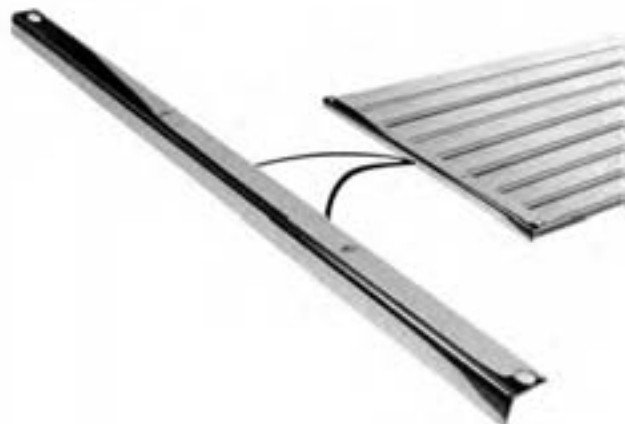
Our tool and die makers are responsible for making the tooling which is used to produce our 1968-72 pickup aluminum tailgate finish panels. The tooling on the rotary table forms the end of the tailgate panel.



Reid Coggins shows a finished tailgate finish panel. In the foreground are the A-2 tool steel male form blocks which are used to stamp the Ford letters into the aluminum panel.

BED BOARD END CAP STRIP

PART #	PIC	DESCRIPTION	YEAR	PRICE
8C-8110609-CR		<u>Bed Boards End Cap Strip at Rear</u> - Cold Rolled Steel - Step Side Only	48-72	15.00 ea.
8C-8110609-SS		- Stainless Steel - Step Side Only	48-72	30.00 ea.

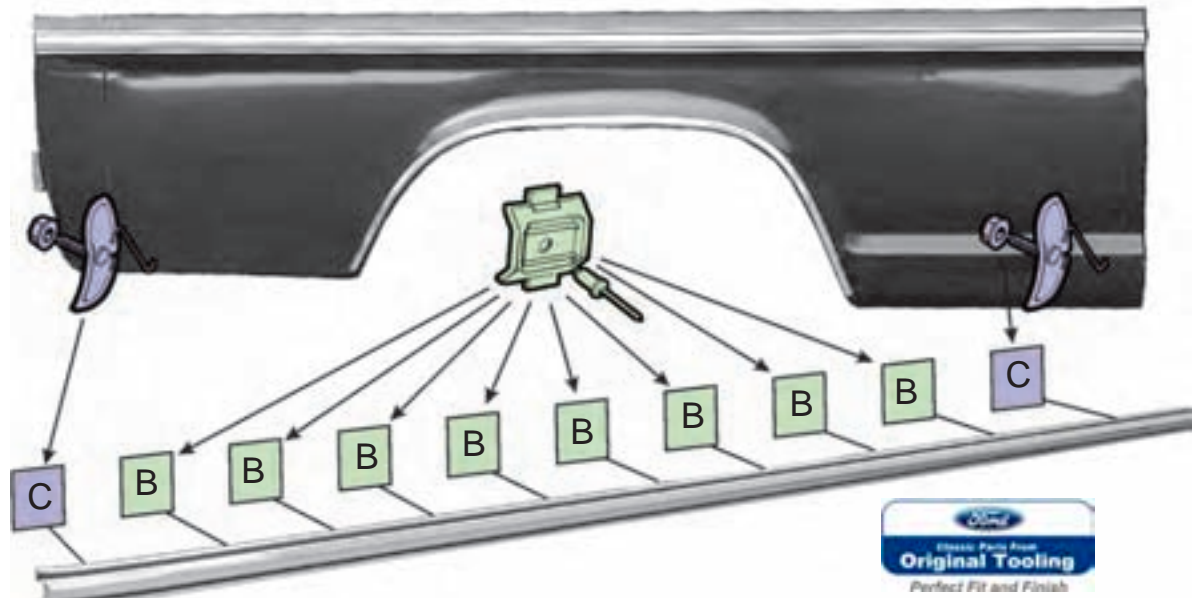


This close up shows the male forming block which is used to create the "R" in our 1967-1972 aluminum tailgate finish panels.

1967 UPPER MOULDINGS

UPPER BEDSIDE MOULDING - F100/350

1967



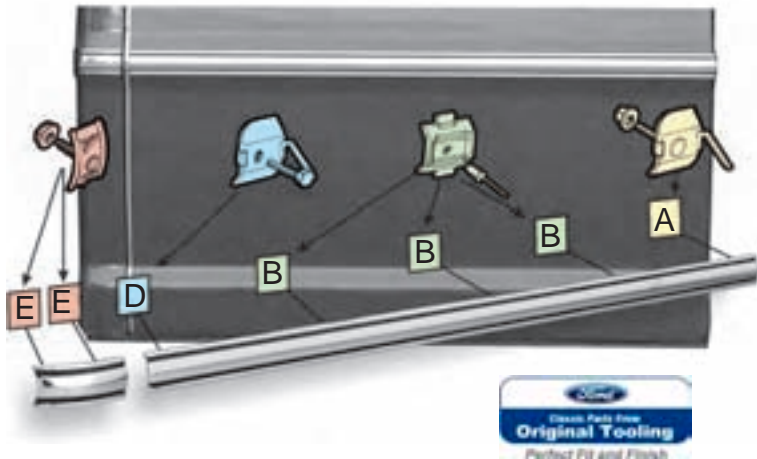
Made in USA

- Moulding are 1 1/4" wide & fit RH or LH side.
- All Moulding include clips for installation.

PART #	PIC	DESCRIPTION	PRICE
C7TZ-9929038-A		Upper Bed Side Moulding	
C7TZ-9929038-B		- Short Bed.....	80.00 ea.
		- Long Bed.....	85.00 ea.
C7TZ-8129318-A	(B)	Moulding Clip	2.50 ea.
C8TZ-8129316-A	(C)	Moulding Clip	2.00 ea.

**UPPER DOOR & CAB CORNER
MOULDING - F100/350**

1967



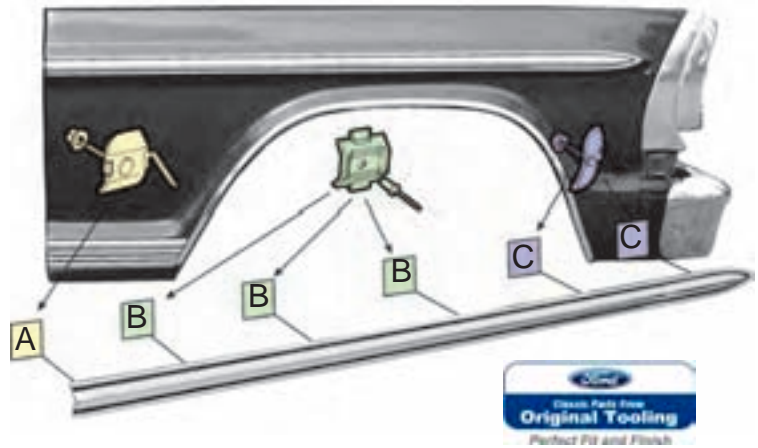
Made in USA

- Moulding are 1 1/4" wide & fit RH or LH side.
- All Moulding include clips for installation.

PART #	PIC	DESCRIPTION	PRICE
C7TZ-8120938-A		Upper Door Moulding	55.00 ea.
C7TZ-81423A16-A		Upper Rear Cab Corner Moulding	35.00 ea.
C7TZ-81423B46-A	(E)	Moulding Clip	2.50 ea.
C7TZ-9720880-A	(D)	Moulding Clip	2.00 ea.
C7TZ-8129318-A	(B)	Moulding Clip	2.50 ea.
C7TZ-8120876-A	(A)	Moulding Clip	2.00 ea.

**UPPER FRONT FENDER
MOULDING - F100/350**

1967



Made in USA

- Moulding are 1 1/4" wide & fit RH or LH side.
- All Moulding include clips for installation.

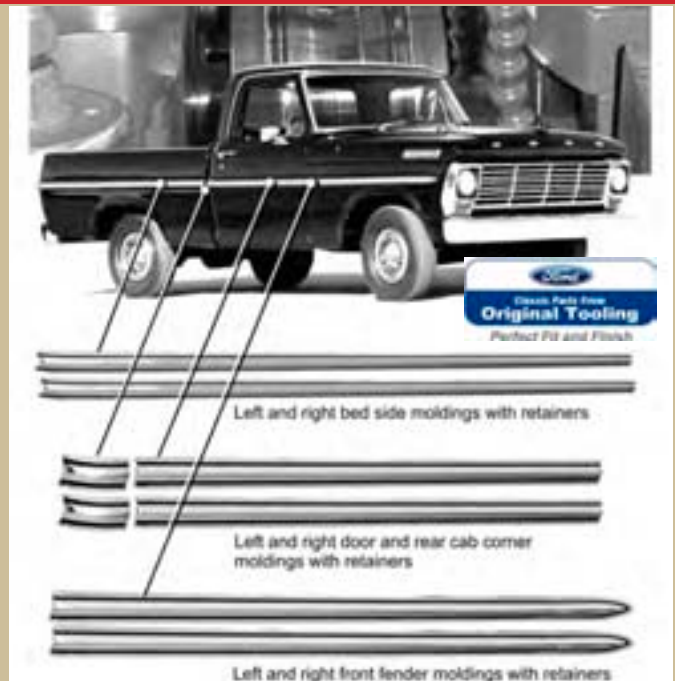
PART #	PIC	DESCRIPTION	PRICE
C7TZ-16003-C		Upper Front Fender Moulding	80.00 ea.
C7TZ-8120876-A	(A)	Moulding Clip	2.00 ea.
C7TZ-8129318-A	(B)	Moulding Clip	2.50 ea.
C8TZ-8129316-A	(C)	Moulding Clip	2.00 ea.

BODY SIDE MOULDING SET - 1967

- Moulding are 1 1/4" wide & fit RH or LH side.
- All Moulding include clips for installation.

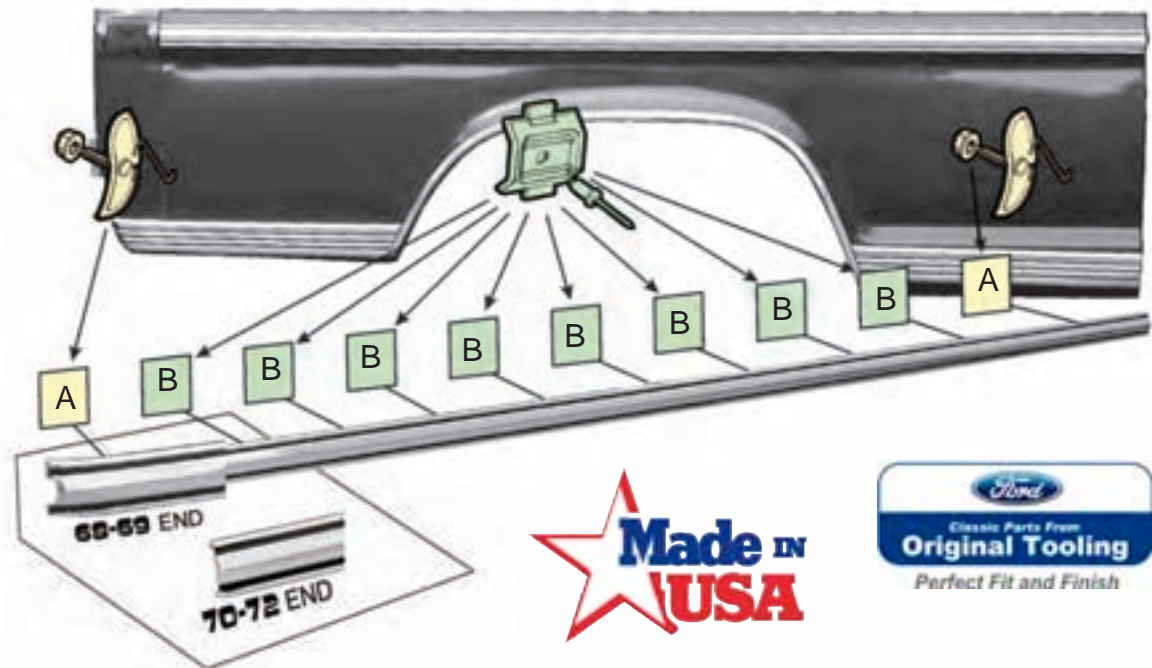
PART #	DESCRIPTION	PRICE
	Complete Body Side Moulding Set	
C7TZ-8121048-A	- 1 1/4" Moulding	500.00 set
C7TZ-8121048-B	- Short bed w/Clips	500.00 set
	- Long bed w/Clips	

PART #	DESCRIPTION	PRICE
C7TZ-8121048-CLIP	Upper Body Side Moulding Clip Kit	70.00 kit
	- 1 1/4" Moulding	
	- included with Complete Moulding Set and each individual moulding.	



1968-72 UPPER MOULDINGS

UPPER BED SIDE MOULDING F100/250 68-72

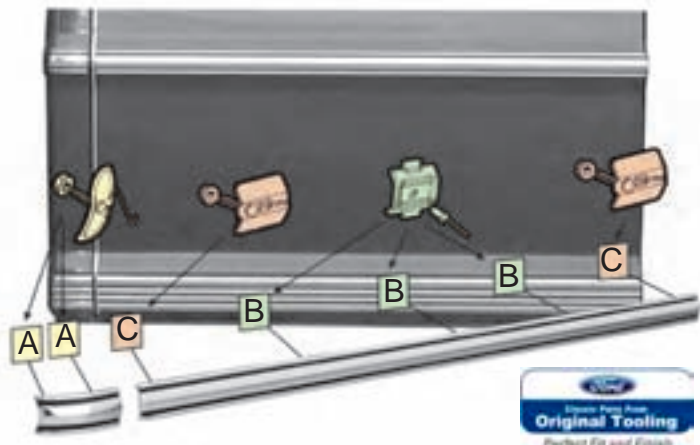


- Moulding are 1 1/2" wide & fit RH or LH side.
- All Moulding include clips for installation.

PART #	PIC	DESCRIPTION	PRICE
C8TZ-9929140-A		<u>Upper Bed Side Moulding - 1968-69</u>	
C8TZ-9929140-B		- Short Bed - 81 7/16".....	70.00 ea.
		- Long Bed - 101 7/16".....	73.00 ea.
D0TZ-9929038-C		<u>Upper Bed Side Moulding - 1970-72</u>	
D0TZ-9929038-D		- Short Bed - 76 1/8".....	70.00 ea.
		- Long Bed - 96 1/8".....	73.00 ea.
C8TZ-8129316-A	(A)	<u>Moulding Clip</u>	2.00 ea.
C8TZ-8129318-A	(B)	<u>Moulding Clip</u>	1.50 ea.

**UPPER DOOR & CAB CORNER
MOULDING - F100/250**

68-72



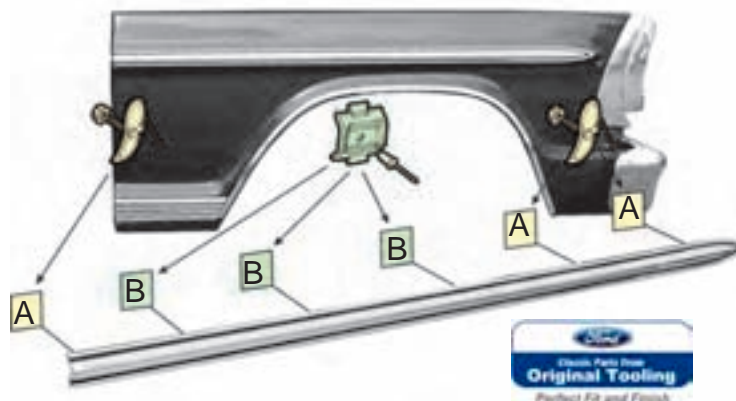
Made in USA

- Moulding are 1 1/2" wide & fit RH or LH side.
- All Moulding include clips for installation.

PART #	PIC	DESCRIPTION	PRICE
C8TZ-8120938-A		Upper Door Moulding - 1 1/2" Moulding - w/Clips - RH or LH	55.00 ea.
C8TZ-81423A16-A		Upper Rear Cab Corner Moulding - 1 1/2" Moulding - w/Clips - RH or LH	35.00 ea.
C8TZ-8129316-A	(A)	Moulding Clip	2.00 ea.
D2TZ-1020880-A	(C)	Moulding Clip	2.00 ea.
C8TZ-8129318-A	(B)	Moulding Clip	1.50 ea.

**UPPER FRONT FENDER
MOULDING - F100/250**

68-72



Made in USA

- Moulding are 1 1/2" wide & fit RH or LH side.
- All Moulding include clips for installation.

PART #	PIC	DESCRIPTION	PRICE
C8TZ-16003-A		Upper Front Fender Moulding - 1 1/2" Moulding - with Clips - RH or LH	80.00 ea.
C8TZ-8129318-A	(B)	Moulding Clip	1.50 ea.
C8TZ-8129316-A	(A)	Moulding Clip	2.00 ea.

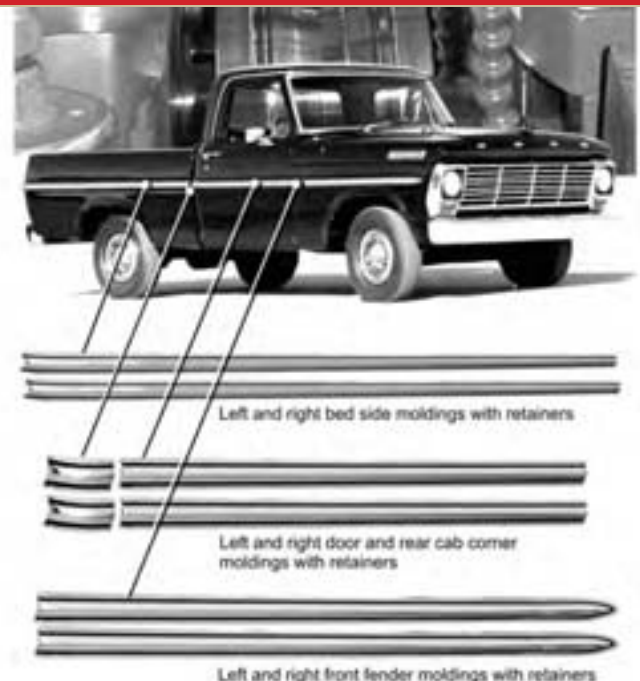
BODY SIDE MOULDING SET - 1968-72

- Moulding are 1 1/4" wide & fit RH or LH side.
- All Moulding include clips for installation.

PART #	DESCRIPTION	YEAR	PRICE
	Complete Upper Body Side Moulding Set - 1 1/2" Moulding		
C8TZ-8121048-A	- Short Bed - w/Clips	68-69	450.00 set
C8TZ-8121048-B	- Long Bed - w/Clips	68-69	450.00 set
C8TZ-8121048-C	- Short Bed - w/Clips	70-72	450.00 set
C8TZ-8121048-D	- Long Bed - w/Clips	70-72	450.00 set

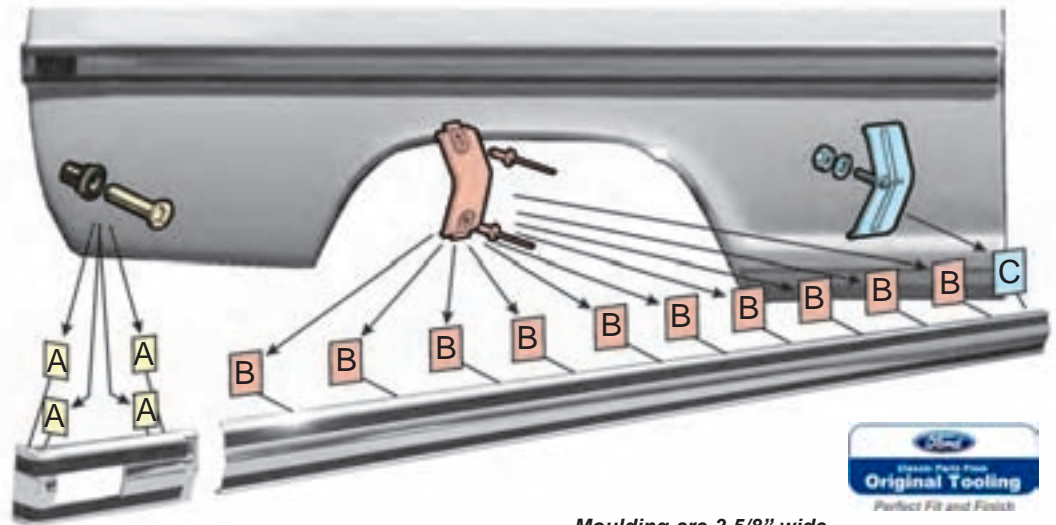
PART #	DESCRIPTION	YEAR	PRICE
C8TZ-8121048-CLIP	Upper Body Side Molding Clip Kit - 1 1/2" Moulding - included with Complete Moulding Set and each individual moulding. - includes: (12) - C8TZ-8129316-A (6) - D2TZ-1020880-A (32) - C8TZ-8129318-A	68-72	70.00 set

Made in USA



1970-72 UPPER MOULDINGS RANGER & RANGER XLT

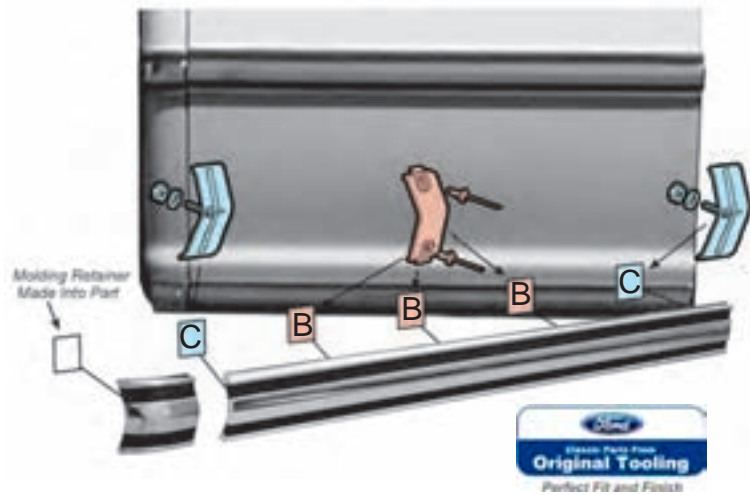
UPPER BED SIDE MOULDING 70-72 F100/250 Ranger & Ranger XLT



- Moulding are 3 5/8" wide.
- All Mouldings include clips for installation.

PART #	PIC	DESCRIPTION	PRICE
D2TZ-9929038-C		Upper Bed Side Moulding	
D2TZ-9929038-D		- Black Vinyl Insert - Short Bed - RH or LH	100.00 ea.
D2TZ-9929038-A		- Black Vinyl Insert - Long Bed - RH or LH	100.00 ea.
D2TZ-9929038-B		- Woodgrain Insert - Short Bed - RH or LH	100.00 ea.
		- Woodgrain Insert - Long Bed - RH or LH	100.00 ea.
D0TZ-9929028-B		Upper Bed Side Rear Corner Moulding	
D0TZ-9929029-B		- Black Vinyl Insert - RH	40.00 ea.
D0TZ-9929028-A		- Black Vinyl Insert - LH	40.00 ea.
D0TZ-9929029-A		- Woodgrain Insert - RH	40.00 ea.
		- Woodgrain Insert - LH	40.00 ea.
Ranger takes Black Vinyl Insert & Ranger XLT takes Woodgrain Insert			
D0TZ-1020880-B	(B)	Moulding Clip	2.00 ea.
D0TZ-16A076-B	(C)	Moulding Clip	3.50 ea.
D0TZ-99291B80-A	(A)	Moulding Clip	2.00 ea.

UPPER DOOR & CAB CORNER MOULDING
F100/250 Ranger & Ranger XLT 70-72



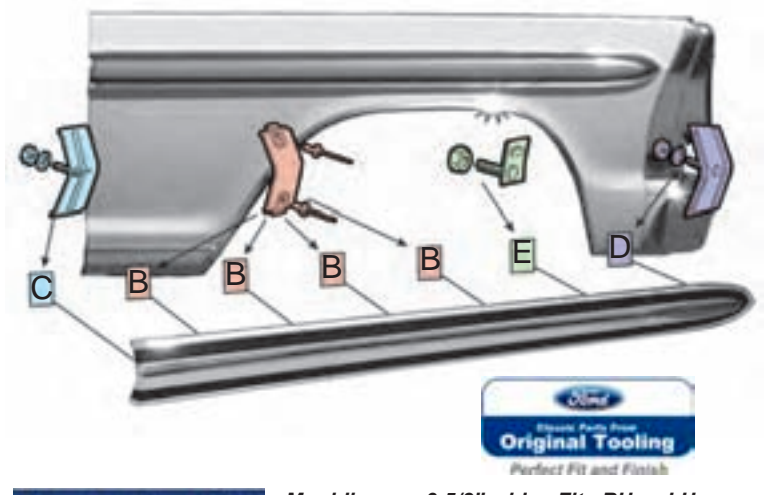
- Moulding are 3 5/8" wide. Fits RH or LH.
 - All Mouldings include clips for installation.

PART #	PIC	DESCRIPTION	PRICE
D0TZ-1020932-B		Upper Door Moulding	60.00 ea.
D0TZ-1020932-C		- Black Vinyl Insert	60.00 ea.
		- Woodgrain Insert	
D0TZ-10423B56-A		Upper Rear Cab Corner Moulding	40.00 ea.
D0TZ-10423B56-B		- Black Vinyl Insert	40.00 ea.
		- Woodgrain Insert	

Ranger takes Black Vinyl Insert & Ranger XLT takes Woodgrain Insert

D0TZ-16A076-B	(C)	Moulding Clip	3.50 ea.
D0TZ-1020880-B	(B)	Moulding Clip	2.00 ea.

UPPER FRONT FENDER MOULDINGS
F100/250 Ranger & Ranger XLT 70-72



Made in USA - Moulding are 3 5/8" wide. Fits RH or LH.
 - All Mouldings include clips for installation.

PART #	PIC	DESCRIPTION	PRICE
D0TZ-16003-C		Upper Front Fender Moulding	125.00 ea.
D0TZ-16003-D		- Black Vinyl Insert	125.00 ea.
		- Woodgrain Insert	

Ranger takes Black Vinyl Insert & Ranger XLT takes Woodgrain Insert

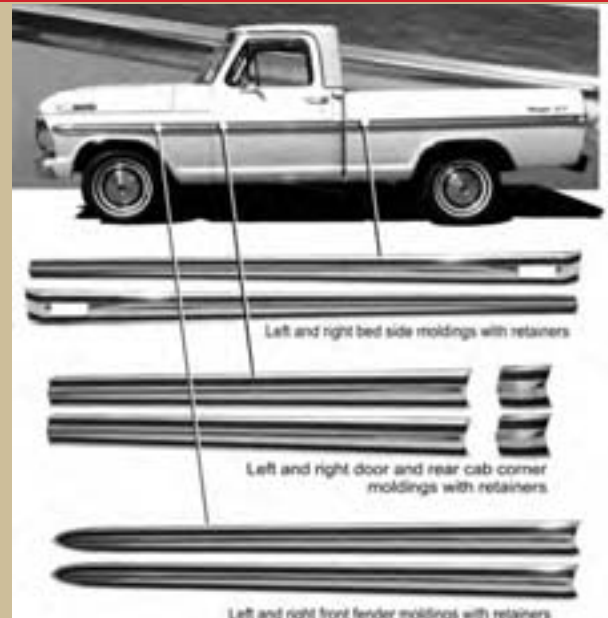
D0TZ-16A076-B	(C)	Moulding Clip	3.50 ea.
D0TZ-1020880-B	(B)	Moulding Clip	2.00 ea.
381955-S	(E)	Moulding Clip	1.50 ea.
D0TZ-16A076-A	(D)	Moulding Clip	3.50 ea.

BODY SIDE MOULDING SET - RANGER & RANGER XLT - 1970-72

- Moulding are 3 5/8" wide & fit RH or LH side.
 - All Moulding include clips for installation.

PART #	DESCRIPTION	PRICE
D0TZ-8121048-A	Complete Upper Body Side Moulding Set	
	- 3 5/8" Moulding w/Black Vinyl Insert	
D0TZ-8121048-B	- Short Bed - w/ Clips.....	600.00 ea.
	- Long Bed - w/ Clips.....	600.00 ea.

PART #	DESCRIPTION	PRICE
D0TZ-8121048-C	Complete Upper Body Side Moulding Set	
	- 3 5/8" Moulding w/Woodgrain Insert	
D0TZ-8121048-D	- Short Bed - w/ Clips.....	600.00 set
	- Long Bed - w/ Clips.....	600.00 set



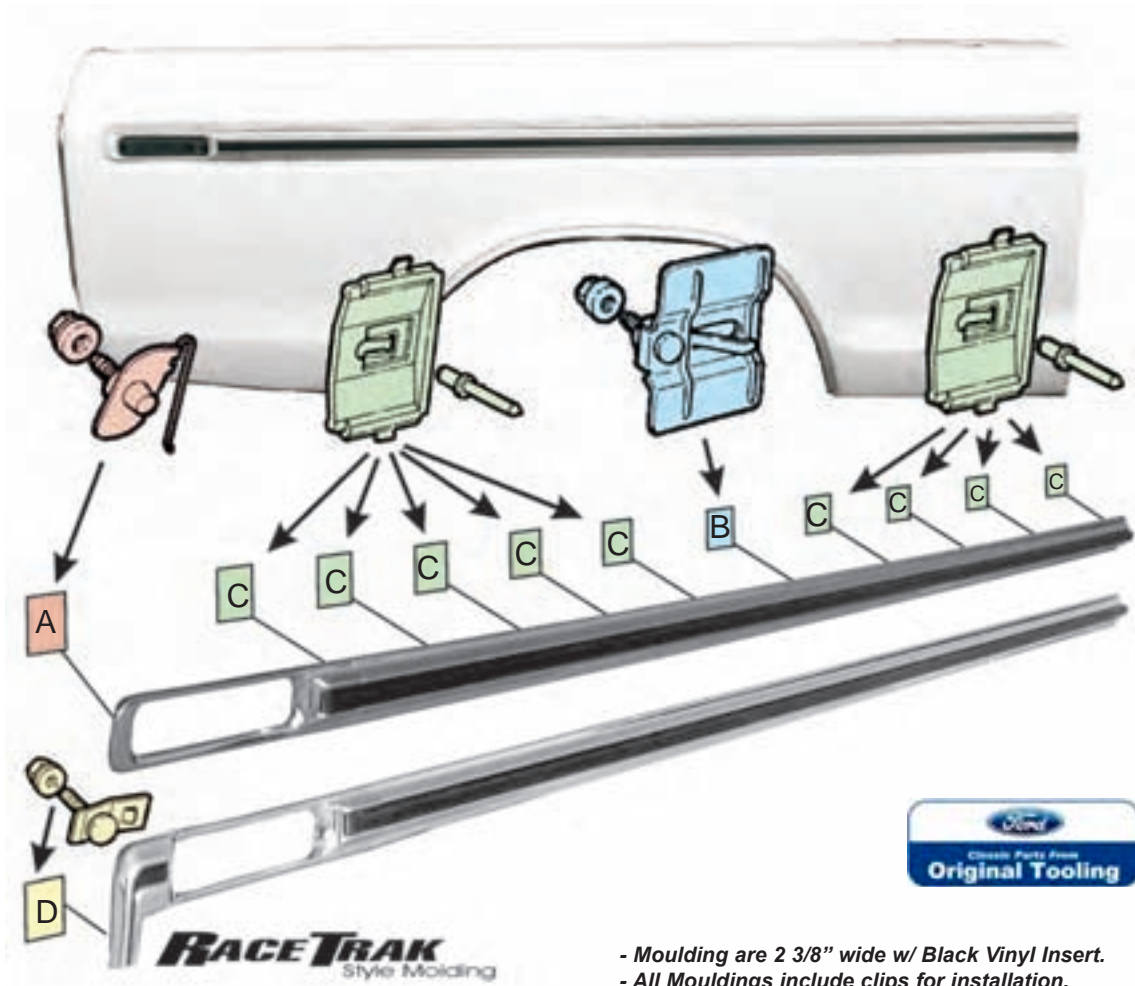
Made in USA



1973-79 UPPER MOULDINGS

UPPER BEDSIDE MOULDINGS
F150/350

73-79

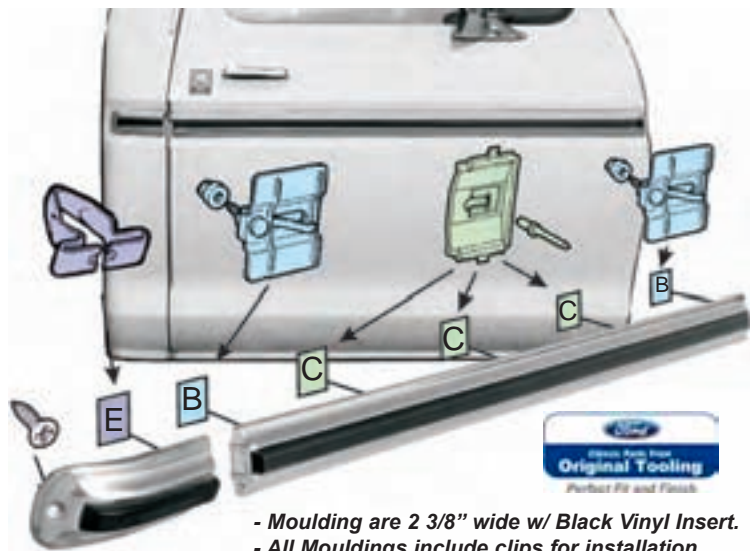


- Moulding are 2 3/8" wide w/ Black Vinyl Insert.
- All Mouldings include clips for installation.

PART #	PIC	DESCRIPTION	YEAR	PRICE
WITHOUT Racetrack Moulding				
D3TZ-9929038-D		- Shortbed. - RH	73-79	125.00 ea.
D3TZ-9929039-D		- Shortbed - LH	73-79	125.00 ea.
D3TZ-9929038-C		- Longbed - RH	73-79	125.00 ea.
D3TZ-9929039-C		- Longbed - LH	73-79	125.00 ea.
WITH Race Track Mouldings				
D7TZ-9929038-FA		- Shortbed. - RH	77-79	140.00 ea.
D7TZ-9929039-FA		- Shortbed - LH	77-79	140.00 ea.
D7TZ-9929038-EA		- Longbed - RH	77-79	140.00 ea.
D7TZ-9929039-EA		- Longbed - LH	77-79	140.00 ea.
D3TZ-9929316-A	(A)	Moulding Clip		2.00 ea.
D3TZ-16A076-A	(B)	Moulding Clip		2.00 ea.
D3TZ-1020880-C	(C)	Moulding Clip		1.50 ea.
381955-S	(D)	Moulding Clip		1.50 ea.

**DOOR
MOULDINGS & CLIPS**

73-79

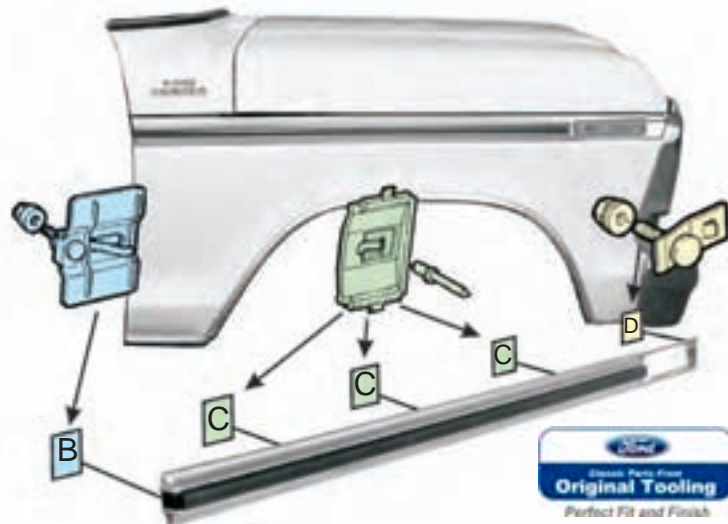


- Moulding are 2 3/8" wide w/ Black Vinyl Insert.
- All Mouldings include clips for installation.

PART #	PIC	DESCRIPTION	PRICE
D3TZ-1020938-B		Upper Door Moulding - w/ Black Vinyl Insert - RH	70.00 ea.
D3TZ-1020939-B		- LH	70.00 ea.
D3TZ-10423A16-C		Upper Rear Cab Corner Moulding - w/Black Vinyl Insert - RH	30.00 ea.
D3TZ-10423A17-C		- LH	30.00 ea.
D20Z-71425A94-A	(E)	Moulding Clip	1.50 ea.
D3TZ-16A076-A	(B)	Moulding Clip	2.00 ea.
D3TZ-1020880-C	(C)	Moulding Clip	1.50 ea.

**UPPER FRONT FENDER
MOULDINGS & CLIPS**

73-79



- Moulding are 2 3/8" wide w/ Black Vinyl Insert.
- All Mouldings include clips for installation.

PART #	PIC	DESCRIPTION	PRICE
D3TZ-16003-C		Upper Front Fender Moulding - w/Black Vinyl Insert - RH	100.00 ea.
D3TZ-16004-C		- LH	100.00 ea.
381955-S	(D)	Moulding Clip	1.50 ea.
D3TZ-16A076-A	(B)	Moulding Clip	2.00 ea.
D3TZ-1020880-C	(C)	Moulding Clip	1.50 ea.

UPPER BODY SIDE MOULDING SET - 1973-79

- Moulding fit Standard Cab & have Black Vinyl Inserts
- All Moulding include clips for installation.

PART #	DESCRIPTION	YEAR	PRICE
Trucks WITHOUT Race Track Mouldings			
D3TZ-8121048-C	- Short Bed	73-79	525.00 set
D3TZ-8121048-D	- Long Bed.....	73-79	525.00 set



PART #	DESCRIPTION	YEARS	PRICE
Trucks WITH Race Track Mouldings			
D7TZ-8121048-A	- Short Bed.....	77-79	550.00 set
D7TZ-8121048-B	- Long Bed	77-79	550.00 set
* Race Track Moulding Sold Separately			

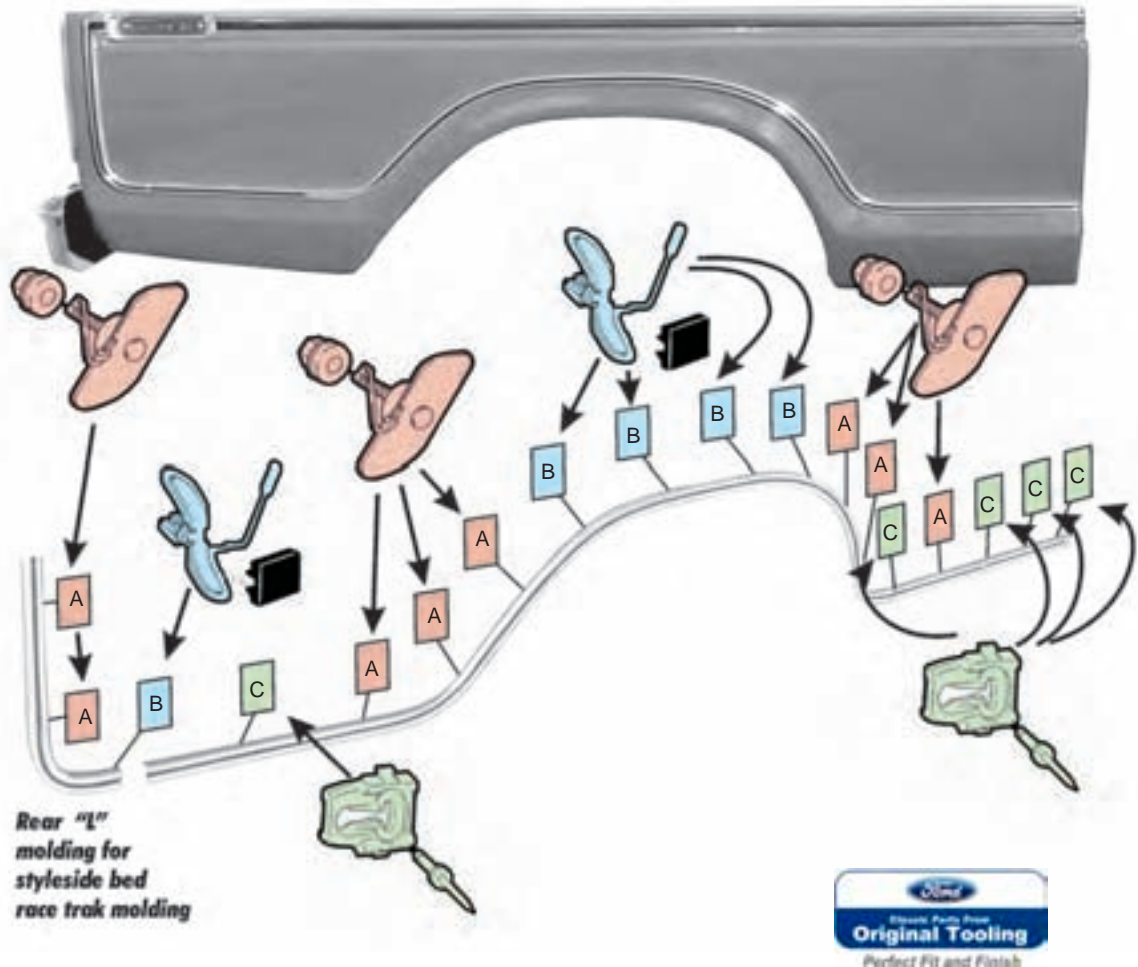


Made in USA

PICKUP MOULDING

**BEDSIDE RACETRAK STYLE
MOULDINGS & CLIPS**

77-79



Rear "L" moulding for styleside bed race trak molding

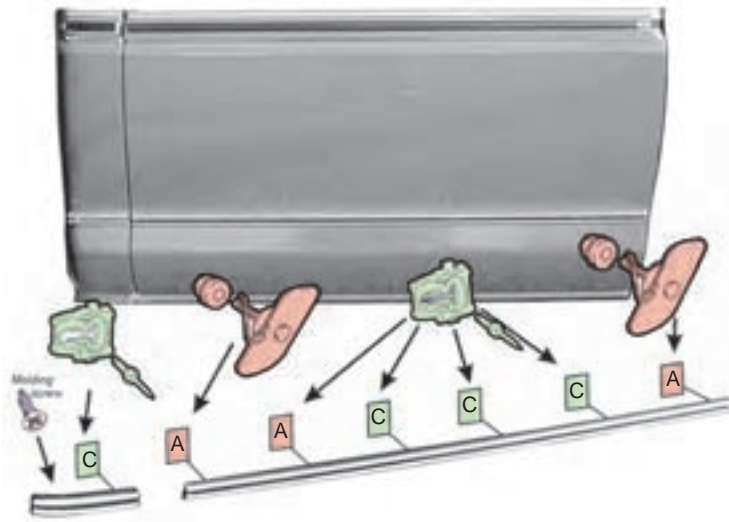
PART #	PIC	DESCRIPTION	PRICE
D7TZ-9929038-BA D7TZ-9929039-BA		Bedside Moulding RaceTrak Style - 6 3/4" Bed - RH - LH	150.00 ea. 150.00 ea.
D7TZ-9929038-AA D7TZ-9929039-AA		Bedside Moulding - 8' bed RaceTrak Style - w/o tool storage - RH - w/o tool storage - LH	150.00 ea. 150.00 ea.
D7TZ-9929396-AA D7TZ-9929397-AA		Rear Bedside Moulding - RaceTrak Style - RH - RaceTrak Style - LH	40.00 ea. 40.00 ea.
D7TZ-9929076-AA D7TZ-9929076-BA D7TZ-9929076-CA		Bedside Moulding - 8' Bed RaceTrak Style - RH - w/tool storage on bed - w/tool storage on door - w/tool storage rear of door	Coming! Coming! Coming!
C8GY-16A076-A	(A)	Moulding Clip	2.00 ea.
D3AZ-65423B06-A	(B)	Moulding Clip	2.00 ea.
D2SZ-6520818-A	(C)	Moulding Clip	2.00 ea.

1977-79 RACETRAK STYLE LOWER MOULDINGS

PICKUP MOULDING

DOOR RACETRACK STYLE MOULDINGS & CLIPS

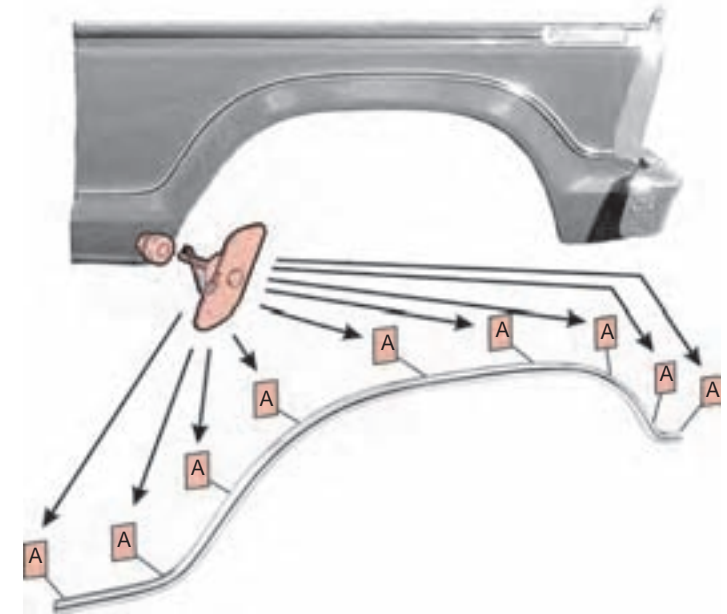
77-79



PART #	PIC	DESCRIPTION	MODEL	PRICE
D7TZ-1020878-BA		Front Door Moulding -Race Track Style - RH or LH		50.00 ea.
D7TZ-10423A16-AA		Back Cab Moulding -Race Track Style - RH		30.00 ea.
D7TZ-10423A17-AA		-Race Track Style - LH		30.00 ea.
*D7TZ-13423A16-AA		Back Cab Moulding -Race Track Style - RH	Super Cab	Coming!
*D7TZ-13423A17-AA		-Race Track Style - LH		Coming!
D2SZ-6520818-A	(C)	- Plastic		2.00 ea.
C8GY-16A076-A	(A)	- Metal		2.00 ea.

FENDER RACETRACK STYLE MOULDINGS & CLIPS

77-79



PART #	PIC	DESCRIPTION	MODEL	PRICE
D7TZ-16003-AA		Front Fender Lower Moulding - Race Track Style - RH		125.00 ea.
D7TZ-16004-AA		- Race Track Style - LH		125.00 ea.
C8GY-16A076-A	(A)	Moulding Clip		2.00 ea.

LOWER RACE TRACK MOULDING - 1977-79

- All Moulding include clips for installation.

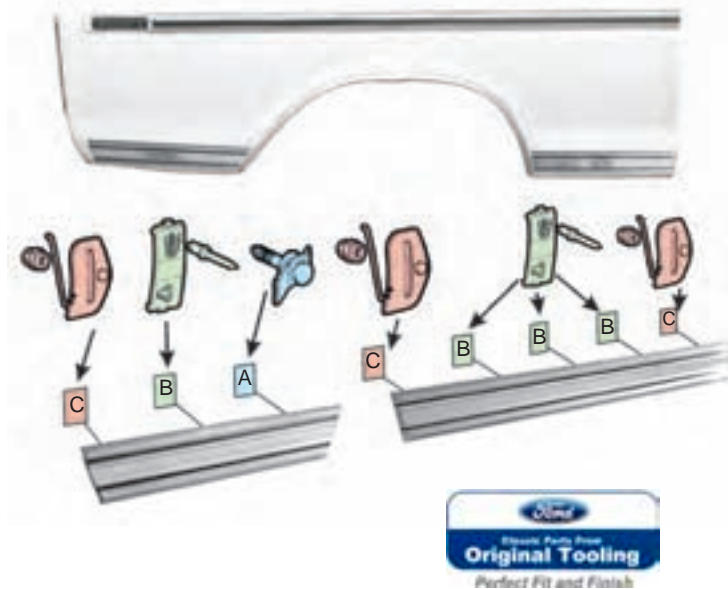
PART #	DESCRIPTION	MODEL	PRICE
D7TZ-9921048-AA	- 8' Bed	F100/350	630.00 kit
(1) D7TZ-16003-AA	(1) D7TZ-9929038-AA		
(1) D7TZ-16004-AA	(1) D7TZ-9929039-AA		
(2) D7TZ-1020878-BA	(1) D7TZ-9929396-AA		
(1) D7TZ-10423A16-AA	(1) D7TZ-9929397-AA		
(1) D7TZ-10423A17-AA			

PART #	DESCRIPTION	MODEL	PRICE
D7TZ-9921048-BA	- 6 ft. 3/4" Bed	F100/350	630.00 kit
(1) D7TZ-16003-AA	(1) D7TZ-9929038-BA		
(1) D7TZ-16004-AA	(1) D7TZ-9929039-BA		
(2) D7TZ-1020878-BA	(1) D7TZ-9929396-AA		
(1) D7TZ-10423A16-AA	(1) D7TZ-9929397-AA		
(1) D7TZ-10423A17-AA			

ROCKER MOULDING

LOWER BED ROCKER MOULDINGS

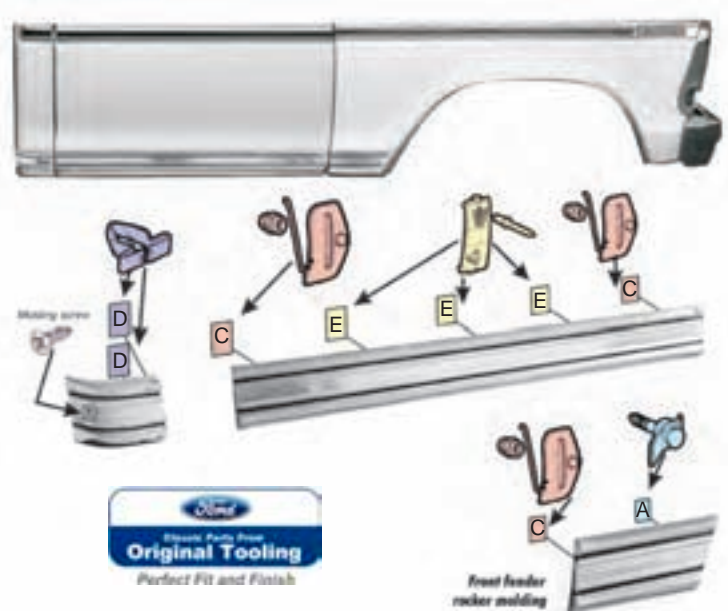
73-79



PART #	PIC	DESCRIPTION	PRICE
D3TZ-9929076-C		Front of Bed - 6 3/4 ft. - RH	75.00 ea.
D3TZ-9929077-C		- LH	75.00 ea.
D3TZ-9929076-A		- 8 ft - RH w/o tool storage compt.	75.00 ea.
D3TZ-9929077-A		- 8 ft - LH w/o tool storage compt.	75.00 ea.
D3TZ-9929076-E		- 8 ft. bed - RH - Front w/ tool compt.	Coming
D3TZ-9929076-B		- 8 ft. bed - RH - Door w/ tool compt.	Coming
D3TZ-9929076-D		- 8 ft. bed - RH - Rear w/ tool compt.	Coming
D3TZ-9929314-B		Rear of Bed Moulding (Ex. Camper Special) - RH	50.00 ea.
D3TZ-9929315-B		- LH	50.00 ea.
381955-S	(A)	Lower Bed Rocker Moulding Clip	1.50 ea.
D3TZ-9929144-A	(B)	Lower Bed Rocker Moulding Clip	2.50 ea.
D3TZ-1021094-A	(C)	Lower Bed Rocker Moulding Clip	3.50 ea.

CAB ROCKER MOULDINGS

73-79



PART #	PIC	DESCRIPTION	PRICE
D3TZ-16003-D		Front Fender Rocker Moulding - RH	40.00 ea.
D3TZ-16004-D		- LH	40.00 ea.
D4TZ-1020878-A		Door Rocker Moulding - RH	85.00 ea.
D4TZ-1020879-A		- LH	85.00 ea.
D3TZ-10423A16-A		Cab Corner Rocker Moulding - (Reg. Cab) - RH	65.00 ea.
D3TZ-10423A17-A		- LH	65.00 ea.
D20Z-71425A94-A	(D)	Cab Rocker Moulding Clip	1.50 ea.
D3TZ-1021094-A	(C)	Cab Rocker Moulding Clip	3.50 ea.
D4TZ-1021066-A	(E)	Cab Rocker Moulding Clip	2.50 ea.
381955-S	(A)	Cab Rocker Moulding Clip	1.50 ea.



ROCKER MOULDINGS

ROCKER MOULDING SET

PART #	DESCRIPTION	MODEL	YEAR	PRICE
67-79 Ranger & 70-72 Sports Custom - Does NOT include Clips. Sold separately.				
C7TZ-9910176-SB	Rocker Moulding Set - 67-69 Ranger - 70-72 Sports Custom - Short Bed			400.00 set
C7TZ-9910176-LB	- Long Bed ex. w/ toolbox			400.00 set
C5AZ-6310198-A	Rocker Moulding Clip - Individual - (17) per side	F100/250	67-72	2.75 ea.
C5AZ-6310198-SET	- Set - (34)	F100/250	67-72	70.00 set



ROCKER MOULDINGS SETS - F100/350

73-79

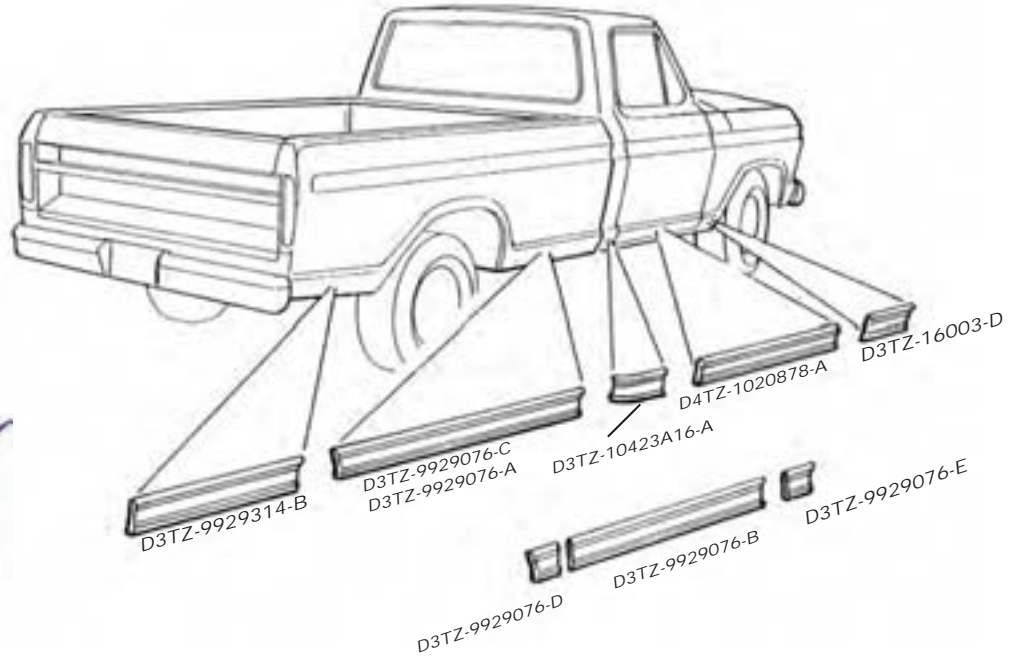


All 73-79 Rocker Moulding Kits have Vinyl Inserts and include Clips

D3TZ-1010176-LB	- Long Bed - Reg. Cab - 10 pcs.....	550.00 set
D3TZ-1010176-SB	- Short Bed - Reg. Cab - 10 pcs.....	550.00 set


Kits Include:

D3TZ-16003-D	RH Front Fender
D3TZ-16004-D	LH Front Fender
D4TZ-1020878-A	RH Door Moulding
D4TZ-1020879-A	LH Door Moulding
D3TZ-10423A16-C	RH Cab Corner
D3TZ-10423A17-C	LH Cab Corner
D3TZ-9929076-A	RH Lower Bed - Front
D3TZ-9929077-A	LH Lower Bed - Front
D3TZ-9929314-B	RH Lower Bed - Rear
D3TZ-9929315-B	LH Lower Bed - Rear




MOULDING

BACK BELT MOULDING - 67-72


PART #	PIC	DESCRIPTION	MODEL	YEAR	PRICE
	(A)	<u>Cab Wrap Around Rear Corner Belt Moulding</u> - Pressure Die Cast - RH w/ clips - LH w/ clips	F100/750	67-72	30.00 ea.
C7TZ-81423A18-A			F100/750	67-72	30.00 ea.
C7TZ-81423A20-PR	(B)	Cab Rear Belt Mouldings - Right & Left Side w/ fasteners Aluminum	F100/750	67-72	65.00 pr.
C8TZ-8140248-A	(C)	Back Cab Belt Moulding Plastic Fastener to hold Mouldings F100/350 to cab; Below Back Window Need (12) per truck		67-72	1.50 ea.

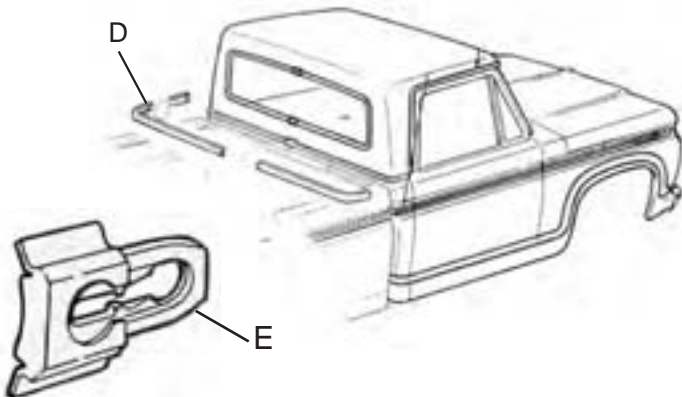


WHEEL OPENING MOULDINGS

PART #	PIC	DESCRIPTION	MODEL	YEAR	PRICE
MFG. ON ORIGINAL TOOLING 					
		<u>Front Fender Wheel Opening Moulding</u>			
C7TZ-16038-A	(F)	- RH	F100/250	67-72	45.00 ea.
C7TZ-16039-A		- LH	F100/250	67-72	45.00 ea.
D8TZ-16038-A		- RH	F100/250	73-79	40.00 ea.
D8TZ-16039-A		- LH	F100/250	73-79	40.00 ea.
		<u>Bed Side Wheel Opening Moulding</u>			
C7TZ-9929164-A	(G)	- RH	F100/250	67-72	45.00 ea.
C7TZ-9929165-A		- LH	F100/250	67-72	45.00 ea.
D3TZ-9929164-A		- RH	F100/250	73-79	40.00 ea.
D3TZ-9929165-A		- LH	F100/250	73-79	40.00 ea.
		<u>Bed Side Wheel Opening Moulding - Super Camper</u>			
D3TZ-9929164-B		- Genuine Ford - RH	F350		40.00 ea.
D3TZ-9929165-B		- Genuine Ford - LH	F350		40.00 ea.
C7TZ-16038-SET		<u>Wheel Opening Moulding Set - Set of (4)</u> Set includes : (1) C7TZ-16038-A (1) C7TZ-16039-A (1) C7TZ-9929164-A (1) C7TZ-9929165-A	F100/250	67-72	160.00 set
D3TZ-16038-SET		<u>Wheel Opening Moulding Set - Set of (4)</u> Set includes : (1) D8TZ-16038-A (1) D8TZ-16039-A (1) D3TZ-9929164-A (1) D3TZ-9929165-A	F100/250	73-79	150.00 set

BACK BELT MOULDING - 73-79

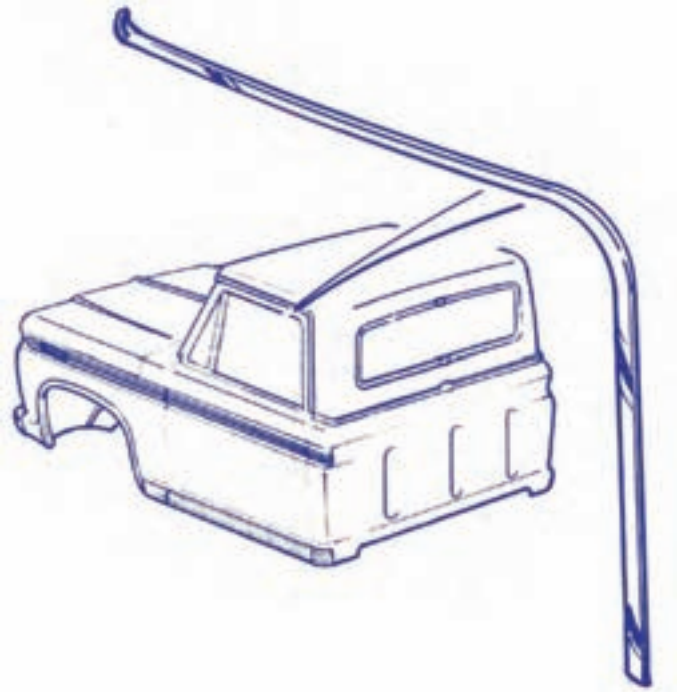
PART #	PIC	DESCRIPTION	MODEL	YEAR	PRICE
	(D)	<u>Back Belt Moulding w/ fasteners</u>			
D3TZ-10423A20-PR		- w/ Reg Cab	F100/350	73-79	50.00 pr.
D3TZ-25423A21-PR		- w/ in Cab Tank	F100/350	73-79	50.00 pr.
D4TZ--10423A20-PR		- w/ Super Cab	F100/350	74-79	50.00 pr.
C7SZ-6540248-B	(E)	<u>Back Belt Moulding Clip</u> - (8) per truck	F100/350	73-79	1.50 ea.
D3TZ-25423A21-B		<u>Cab Rear Belt Moulding End</u> - Left Side - w/ in cab fuel tank - Genuine Ford	F100/350	73-77	30.00 ea.



ROOF DRIP RAIL MOULDING

ROOF DRIP RAIL MOULDING

PART #	DESCRIPTION	MODEL	YEAR	PRICE
D3TZ-1051726-A	- RH - Regular Cab	F100/350	73-79	35.00 ea.
D3TZ-1051727-A	- LH - Regular Cab	F100/350	73-79	35.00 ea.
D4TZ-1051726-A	- RH - Super Cab- Orig. Tooling	F100/350	74-79	35.00 ea.
D4TZ-1051727-A	- LH - Super Cab- Orig Tooling	F100/350	74-79	35.00 ea.
D3TZ-2551727-A	- LH - Crew Cab	F250-350	73-79	35.00 ea.
D3TZ-2551726-A	- RH - Crew Cab	F250-350	73-79	35.00 ea.



DRIP RAIL REPAIR PANEL

PART #	PIC	DESCRIPTION	MODEL	YEAR	PRICE
D3TZ-1051705-C		Roof Side Drip Rail Steel Repair Panel - LH - Reg. Cab LIMITED SUPPLY RH SOLD OUT	F100/350	73-79	35.00 ea.



AIR CLEANER DECALS

PART #	PIC	DESCRIPTION	YEAR	PRICE
DF-53		390-2V Air Cleaner Decal	68-69	4.50 ea.
DF-54		390-4V Premium Fuel A.C.D. Decal	68-69	4.50 ea.
DF-57		352-2V Air Cleaner Decal	68-69	4.50 ea.
DF-60		302-2V Air Cleaner Decal	68-69	5.00 ea.
DF-150		Front Air Cleaner Decal	67-75	4.50 ea.
DF-160	(J)	Autolight Spark Plug A.C.D	67	4.50 ea.
DF-182		302-2V Air Cleaner Decal	70-71	5.00 ea.
DF-184		351-2V Air Cleaner Decal	70-71	5.00 ea.
DF-185	(K)	351-4V Air Cleaner Decal	70-71	5.00 ea.
DF-466		352/208 HP Air Cleaner Decal	67	4.50 ea.
DF-469		240/150 HP Air Cleaner Decal	67	6.00 ea.



J



K

AIR CLEANER DECALS

PART #	PIC	DESCRIPTION	MODEL	YEAR	PRICE
DF-149	(A)	Ford Truck Air Cleaner Service Instructions Decal		67-75	3.50 ea.
DF-181	(B)	429-4V Air Cleaner Decal		72-73	5.00 ea.
DF-253	(C)	302-2V Air Cleaner Decal		72-73	5.00 ea.
DF-313	(D)	Ford Truck 360 CID Air Cleaner Decal		68-75	4.00 ea.
DF-318	(E)	460 CID Air Cleaner Decal		74-77	4.50 ea.
DF-325	(F)	Ford Truck Autolight Spark Plug A.C.D		68-74	5.00 ea.
DF-338		Ford Truck 400-2V Air Cleaner Decal		71-74	5.00 ea.
DF-339	(G)	Ford Truck 460-4V Air Cleaner Decal		72-73	5.00 ea.
DF-479	(H)	Ford Truck 390-4V Premium Fuel A.C.D. Decal		70-76	5.00 ea.
DF-1111		460 CID Air Cleaner Decal		78	5.00 ea.



F



D

E



A

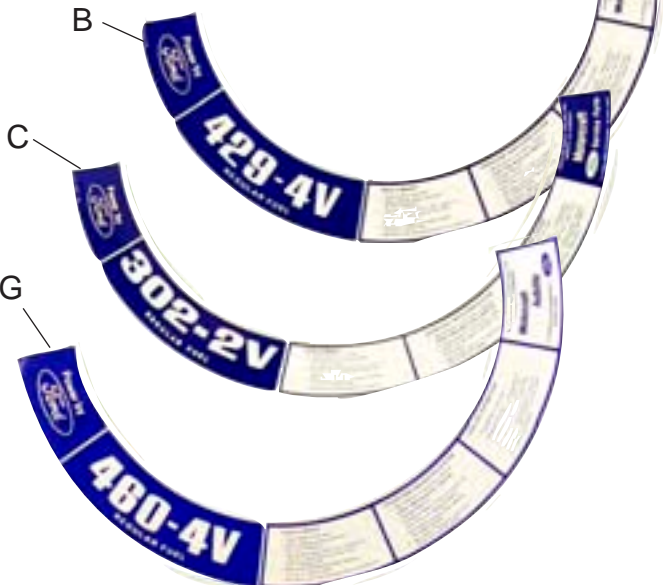
H



B

C

G



VALVE COVER DECALS

PART #	PIC	DESCRIPTION	YEAR	PRICE
DF-410		Powered By Ford Valve Cover Decal - Chrome		4.50 ea.
DF-411		Powered By Ford Valve Cover Decal - White		4.50 ea.



DF411

ENGINE COMPARTMENT DECALS

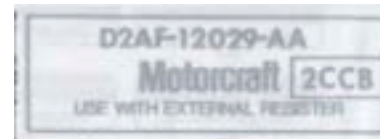
PART #	PIC	DESCRIPTION	MODEL	YEAR	PRICE
DF-31	(A)	Caution Fan Decal		68-78	3.50 ea.
DF-654	(B)	Radiator Caution Decal		72-82	5.00 ea.
DF-697		Air Conditioner Charge Decal		74-78	4.50 ea.
DF-714	(C)	Voltage Regulator Decal		72-80	5.00 ea.
DF-715	(D)	Motorcraft Coil Decal		72-80	6.00 ea.
DF-821	(E)	Heater / Air Service Instruction Decal		73-79	5.00 ea.
DF-828	(F)	Coolant Caution Decal		77-86	5.00 ea.
DF-1181		4 x 4 Oil Fill Decal		73-78	5.00 ea.



A



C



D



B



F



E

ENGINE COMPARTMENT TAGS & RINGS

PART #	PIC	DESCRIPTION	MODEL	YEAR	PRICE
DF-351	(G)	Air Conditioner Aluminum Tag		64-76	6.00 ea.
DF-784	(H)	Sta-Ful Autolite Battery Tag		60-78	4.50 ea.



G



H

INTERIOR DECALS

PART #	PIC	DESCRIPTION	MODEL	YEAR	PRICE
DF-135		New Vehicle Window Price Sticker		77	5.00 ea.
DF-579		New Vehicle Window Price Sticker		79-80	4.00 ea.

EMISSION DECALS

PART #	PIC	DESCRIPTION	MODEL	YEAR	PRICE
DF-641	(I)	302 AT/MT Emission Decal		1973	5.00 ea.
DF-735	(J)	302 MT Emission Decal		1978	5.00 ea.
DF-955		302 AT Emission Decal		1978	5.00 ea.
DF-1071		460 AT Emission Decal		1979	6.00 ea.
DF-1096		351 M AT Emission Decal		1978	6.00 ea.
DF-1147		390 AT Emission Decal		1976	6.00 ea.
DF-1180		360 AT/MT emission Decal		1976	6.00 ea.
DF-1186		400 Emission Decal		1977	6.00 ea.



I

J



JACK INSTRUCTION DECALS

PART #	PIC	DESCRIPTION	MODEL	YEAR	PRICE
DF-657	(K)	Jack Instructions Decal		75-79	5.00 ea.



K

FORD TIME MAGAZINE - MAY BE SOILED

PART #	PIC	DESCRIPTION	PRICE
CA-1967-1		Ford Times - January 1967 edition	8.50 ea.
CA-1967-2		Ford Times - February 1967 edition	8.50 ea.
CA-1967-3		Ford Times - March 1967 edition	8.50 ea.
CA-1967-4		Ford Times - April 1967 edition	8.50 ea.
CA-1967-5		Ford Times - May 1967 edition	8.50 ea.
CA-1967-6		Ford Times - June 1967 edition	8.50 ea.
CA-1967-7		Ford Times - July 1967 edition	8.50 ea.
CA-1967-8		Ford Times - August 1967 edition	8.50 ea.
CA-1967-9		Ford Times - September 1967 edition	8.50 ea.
CA-1968-3		Ford Times - March 1968 edition	8.50 ea.
CA-1968-6		Ford Times - June 1968 edition	8.50 ea.
CA-1968-7		Ford Times - July 1968 edition	8.50 ea.
CA-1968-10		Ford Times - October 1968 edition	8.50 ea.
CA-1968-12		Ford Times - December 1968 edition	8.50 ea.
CA-1969-2		Ford Times - February 1969 edition	8.50 ea.
CA-1969-3		Ford Times - March 1969 edition	8.50 ea.
CA-1969-4		Ford Times - April 1969 edition	8.50 ea.
CA-1969-5		Ford Times - May 1969 edition	8.50 ea.
CA-1969-6		Ford Times - June 1969 edition	8.50 ea.
CA-1969-7		Ford Times - July 1969 edition	8.50 ea.
CA-1969-8		Ford Times - August 1969 edition	8.50 ea.
CA-1969-10		Ford Times - October 1969 edition	8.50 ea.
CA-1969-11		Ford Times - November 1969 edition	8.50 ea.
CA-1970-1		Ford Times - January 1970 edition	8.50 ea.
CA-1970-2		Ford Times - February 1970 edition	8.50 ea.
CA-1970-4		Ford Times - April 1970 edition	8.50 ea.
CA-1970-10		Ford Times - October 1970 edition	8.50 ea.
CA-1970-12		Ford Times - December 1970 edition	8.50 ea.
CA-1971-1		Ford Times - January 1971 edition	8.50 ea.
CA-1971-2		Ford Times - February 1971 edition	8.50 ea.
CA-1971-4		Ford Times - April 1971 edition	8.50 ea.
CA-1971-5		Ford Times - May 1971 edition	8.50 ea.
CA-1971-6		Ford Times - June 1971 edition	8.50 ea.
CA-1971-8		Ford Times - August 1971 edition	8.50 ea.
CA-1971-9		Ford Times - September 1971 edition	8.50 ea.
CA-1971-10		Ford Times - October 1971 edition	8.50 ea.
CA-1972-1		Ford Times - January 1972 edition	8.50 ea.
CA-1972-3		Ford Times - March 1972 edition	8.50 ea.
CA-1972-4		Ford Times - April 1972 edition	8.50 ea.
CA-1972-7		Ford Times - July 1972 edition	8.50 ea.
CA-1972-10		Ford Times - October 1972 edition	8.50 ea.
CA-1972-11		Ford Times - November 1972 edition	8.50 ea.

BOOKS

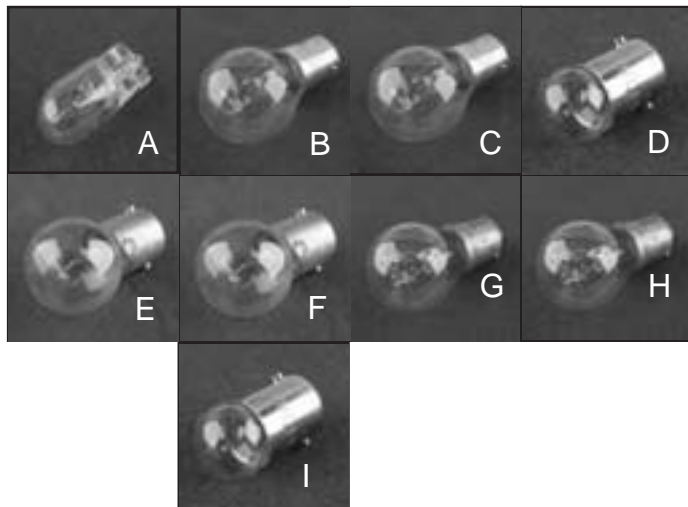
PART #	DESCRIPTION	MODEL	YEAR	PRICE
AM-0116	Body - Interior Trim Assembly Manual		68	25.00 ea.
CA-3600	Steering Wheel Restoration Book			13.00 ea.
MP-271	Illustrated Facts & Features Manual		67-68	7.50 ea.
MP-275	Illustrated Facts & Features Manual		69-70	7.50 ea.
MP-212	Illustrated Facts & Features Manual		71-72	7.50 ea.
MP-368	Wiring Manual		67	7.50 ea.
MP-0385	Wiring Diagram Manual	F100/350	68	10.00 ea.
MP-0386	Wiring Diagram Manual	F100/350	69	10.00 ea.
TR-4622	"How To Restore Your Pick-Up" - Step-by-Step Restoration Guide for 1947-67 Ford Pick-Ups - 224 pages			25.00 ea.
TR-6730-1	Truck Sales Post Card		67	5.00 ea.
TR-7030-5	Fold-out Sales Brochure featuring The 1970 Ford F100 Explorer Special		70	8.00 ea.
TR-7130	Sales Brochure featuring The 1971 Ford Trucks F100/350 And 4-Wheel Drive		71	15.00 ea.

Steering Wheel
Restoration Book



LIGHT BULBS

PART #	PIC	DESCRIPTION	MODEL	YEAR	PRICE
B6A-13007		Headlight Bulb - 12 volt		67-72	8.00 ea.
C3AZ-13466-97		Rear License Plate Light Bulb		67-72	1.00 ea.
C3DZ-13466-A	(B)	Backup Light Bulb	F100/350	73-79	1.50 ea.
C3DZ-13466-A	(C)	Cargo Area Light Bulb - Before Serial #Y60,001	F100/350	74-77	1.50 ea.
B6A-13730-1003		Dome Light Bulb		67	1.50 ea.
C3SZ-13466-1004		Dome Light Bulb		68-69	1.50 ea.
DOAZ-13466-105		Dome Light Bulb		70-72	2.75 ea.
C2AZ-13466-C	(A)	Instrument Cluster Bulb & Side Marker Rear		68-79	1.50 ea.
B6A-13466-1445	(D)	Headlamp & Wiper / Washer Switch Light Blue	F100/350	73-79	1.00 ea.
C3AZ-13466-1895		Instrument Cluster Bulb		67-72	1.00 ea.
C3AZ-13466-1895	(E)	Hi-Beam Indicator Light Bulb	F100/350	67-76	1.00 ea.
C3AZ-13466-1895	(F)	Turn Signal Indicator Light Bulb	F100/350	73-76	1.00 ea.
C3AZ-13466-1157	(G)	Front Park Light Bulb - From Serial #C50,001	F100/350	67-76	1.50 ea.
B7A-13466-1157NA		Front Park Light Bulb - Before Serial #C50,001 - amber glass	F100/350	73-76	2.00 ea.
C3AZ-13466-1157	(H)	Taillight Bulb	F100/350	67-79	1.50 ea.
B6A-13466-1445	(I)	Transmission Selector Dial Light Bulb	F100/350	73-79	1.00 ea.



BUMPER STICKERS

PART #	PIC	DESCRIPTION	YEAR	PRICE
DF-361		Ford Script Bumper Sticker - 3-1/2"		4.00 ea.
DF-362		Ford Script Bumper Sticker - 6-1/2"		5.00 ea.
DF-363		Ford Script Bumper Sticker - 9-1/2"		5.50 ea.
DF-364		Ford Script Bumper Sticker - 17"		6.50 ea.
DF-1388		Ford Oval Decal "Blue on Clear" - 3 1/2"		3.50 ea.
DF-1389		Ford Oval Decal "Blue on Clear" - 6 1/2"		5.00 ea.
DF-1390		Ford Oval Decal "Blue on Clear" - 9 1/2"		5.50 ea.
DF-1391		Ford Oval Decal "Blue on Clear" - 17"		6.50 ea.



MAGNETIC SIGNS

PART #	PIC	DESCRIPTION	YEAR	PRICE
MM-2	(J)	"LOOK, BUT....PLEASE DON'T TOUCH!"		6.50 ea.
MM-3	(K)	Look and Enjoy, But Please Don't Touch		6.50 ea.



J



K

BRAKE HOSES

PART #	PIC	DESCRIPTION	YEAR	PRICE
C8TZ-2078-G		Brake Hose - Front - 24 3/8" Long - LH Fits: 1968-69 B500-750 1969 F500-750 w/ 14"x2 1/2" brakes	68-69	25.00 ea.
C8TZ-2078-H		Brake Hose - Front - 22 3/4" long - RH Fits: 1968-69 B500-750 w/ 15"x3" brakes 1969 F500-750 w/ 15"x3" brakes	68-69	25.00 ea.
C8TZ-2078-J		Front Brake Hose - 23 3/4" long Fits: 1968-69 B600-750 - RH or LH - w/ 15"x3" hydraulic vacuum brakes from ser.# C70,001 Fits: 1969 C600-900 - RH or LH - w/ split hydraulic vacuum brakes before ser.# F70,001 Fits: 1969 F800-950 - RH or LH - 8 cyl. engine - w/ 15"x3" split hydraulic vacuum brakes Fits: 1969 F500-750 - LH - w/ 15"x3" brakes Fits: 1968-69 N600-750 - RH or LH - w/ hydraulic vacuum brakes - from ser.# C70,001	68-69	25.00 ea.

WHEEL CYLINDER REPAIR KITS

PART #	PIC	DESCRIPTION	MODEL	YEAR	PRICE
1 KIT DOES 1 WHEEL					
C4TZ-2221-C		- Front - 1 1/8"	B-C-FN 600 950	64-72	10.00 ea.

WIPER SWITCH BEZEL

PART #	PIC	DESCRIPTION	MODEL	YEAR	PRICE
CITF10852-D		Wiper Switch Bezel - B. F600/800 - C. CT 600-900		73-79 73-79	15.00 ea.

STEERING SECTOR SHAFT

PART #	PIC	DESCRIPTION	MODEL	YEAR	PRICE
C7TZ-3575-C		Steering Sector Shaft 1967-72 B500-750 1967-72 F500-750 1970-72 N500-750 - manual steering - 5, 5.5, 6, 7 front axle		67-72	150.00 ea.
D1HZ-3575-B		Steering Sector Shaft - w/ Manual Steering	L-LN-LNT -LT 800/900	71-72	200.00 ea.

STANDARD TRANSMISSION GEARS

PART #	PIC	DESCRIPTION	MODEL	YEAR	PRICE
WRITE ABOUT YOUR NEEDS FOR TRANSMISSION PARTS. WE HAVE MANY PARTS FOR THREE, FOUR & FIVE SPEED TRUCK TRANSMISSIONS.					
C4TZ-7017-A		Transmission Main Drive Shaft - 4 speed New Process 435	F600-700	64-71	100.00 ea.
C4TZ-7100-K		Transmission Low & Reverse Slide Gear - 4 speed New Process 435	F600-700	64-71	80.00 ea.
C4TZ-7113-A		Transmission Cluster Gear - 4 speed New Process 435 - I.D. number HEG, HEF, RAC, RAN, RAT tag	F600-700	64-71	180.00 ea.
C4TZ-7176-A		Transmission Output Shaft - Second Gear - 4 speed new process 435	F600-700	64-71	75.00 ea.
C4TZ-7183-B		Transmission Third & Fourth Gear Synchronizer Clutch Hub - 4 speed New Process 435	F600-700	64-71	35.00 ea.
C4TZ-7196-A		Transmission Output Shaft 3rd Speed Idler Gear - 4 speed New Process 435	F600-700	64-71	60.00 ea.

GAS TANK SENDING UNIT

PART #	PIC	DESCRIPTION	MODEL	YEAR	PRICE
D3TZ-9275-E		Gas Tank Sending Unit - w/ Gasket & Float - Stamped; C4TF9275-T, D3TF9275-EA or EB Used with 18 Or 30 gal. Left Side Outside Frame mounted tank. Before Serial Number C75,001	F500 B-600-750 F600-800 C-600-900	73-77 73-76 73-79 73-79	50.00 ea.

FUEL PUMPS

PART #	PIC	DESCRIPTION	MODEL	YEAR	PRICE
C7TZ-9350-B		Fuel Pump for Diesel - 242 4 cyl., - 363 6 cyl. 1967-69 - FB-C-N 600/700	350, 500	67-71	40.00 ea.

ENGINE INTAKE MANIFOLD

PART #	PIC	DESCRIPTION	MODEL	YEAR	PRICE
C4TZ-9424-H		Engine Intake Manifold - 8 cylinder 330, 361	F500-800	64-72	100.00 ea.

BODY REFLECTORS - AMBER

PART #	PIC	DESCRIPTION	MODEL	YEAR	PRICE
All Body Reflectors fit Right & Left Sides unless otherwise specified.					
C7TZ-13380-D		Grille Grille Front of Platform - Platform Front Fender L-LN-LNT-LT-LTS 500-900 Front of Platform - Platform Hood Front Side	F500-750 B500-750 C550-600 N500-600 N-NT500-100 W-WT900-1000	70 68-70 68-69 70-72 68-69 68-69 68-72	25.00 ea.

BODY REFLECTORS - RED

PART #	PIC	DESCRIPTION	MODEL	YEAR	PRICE
All Body Reflectors fit Right or Left Sides					
C7TZ-13380-C		Back of Cab Rear of Platform - Platform Rear of Platform - Platform Back of Cab Back of Cab Back of Platform - Platform Back of Cab	FT800-1000 F100/600 C550-600 C-CT550-600 N-NT500-1000 N500-600 W-WT 1000	68-69 68-72 68-69 68-69 68-69 68-69 68-69	25.00 ea.

FRONT FENDERS

PART #	PIC	DESCRIPTION	MODEL	YEAR	PRICE
C7TZ-16006-B		Front Fender - LH - Genuine Ford - New	F500-750	67-72	300.00 ea.

HOOD HINGE

PART #	PIC	DESCRIPTION	MODEL	YEAR	PRICE
<u>Hood Hinge</u>					
C7TZ-16796-F		- RH	F500-750	67-72	75.00 ea.
C7TZ-16797-F		- LH	F500-750	67-72	75.00 ea.

BRAKE LIGHT SWITCH

PART #	PIC	DESCRIPTION	MODEL	YEAR	PRICE
D1TZ-13480-A		Brake Light Switch - B-F500-750, CT500-1000, P350-400		68-72	10.00 ea.

ALTERNATOR TO VOLTAGE REGULATOR WIRING

PART #	PIC	DESCRIPTION	MODEL	YEAR	PRICE
D2TZ-14305-A		Alternator to Voltage Regulator Wiring - Used w/ 38, 42, 45, 55 amp. Ford Alternator - 6 cyl. 240, 300 - Used w/ 38, 42, 45, 55 amp. Ford Alternator - All 6 & 8 cyl. except Diesel - F500-750	F500-600	68 69-72	40.00 ea.

DOOR ARM REST - NO SCREWS

PART #	PIC	DESCRIPTION	MODEL	YEAR	PRICE
<u>(A) Door Arm Rest</u>					
B9A-6424140-BL		- Black - RH	F800-1100	67-69	25.00 ea.
B9A-6424141-BL		- Black - LH	F800-1100	67-69	25.00 ea.



A

BACK WINDOW RUBBER SEAL

PART #	PIC	DESCRIPTION	MODEL	YEAR	PRICE
C1TB-8142084-A		Back Window Rubber - w/o wrap around glass - No Groove for Chrome	FT800-1000 N-NT500-1000	67-69	40.00 ea.

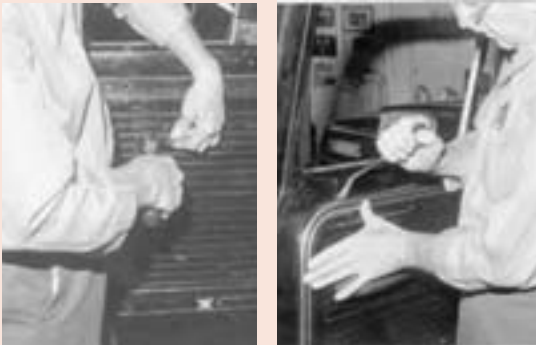
Make your 1967-1972 Ford Pickup a Winner



Roy Howard, our restoration expert poses above with the 1967 Ford Pickup used as the model in this “how-to” demonstration story.



Kit used in the demonstration include anti-rattlers, door glass runs, and division bar glass runs. Vent window seals are not part of the kit and must be ordered separately.



Begin by removing the door and window handles, then, using the proper tool as illustrated, carefully remove the decorative door trim which is secured by small clips.



Next, unscrew the screws that hold the panel to the door frame. Then remove the arm rest with the entire door panel.



To permit easy removal of the division bar and vent window, remove the door glass from the window regulator to rest at the inside bottom of the door. Then begin unbolting the window regulator.



Now remove the window regulator.



Then remove the bolt that connects the division bar to the door frame.



Now remove the screw that holds the vent window frame to the door frame and remove the complete vent window unit and the division bar up through the window opening.



Mark the place on the division bar channel where it and the vent window channel join to note the position where they should go back together during re-assembly.



Carefully bend back the tab at the bottom of the division bar to remove the door glass run.



ON the bench, remove the screw attaching the vent window to its frame



On the bench, remove the bottom nut on the vent window pivot shaft, but take note of the number of washers and their position for correct re-assembly. Then remove the glass from the frame.



Secure the vent window frame in a vise and drill out the rivets connecting the vent window rubber channel.



Now remove the door glass run from the division bar, replace the new runner and prepare to re-assemble the entire unit by repeating steps back from this point.



When installing new division bar glass run, allow extra 1/8" beyond the top of the division bar to assure a tight fit to door frame.



After re-installing vent window and division bar and re-bolting into door frame, install new door glass runner by inserting runner down into door frame.



At this point, ensure door glass runner has a tight fit into the door frame using an appropriate tools.



Install anti-rattlers. Complete re-assembly by re-installing window regulator, door glass, door panel and hardware.

67-79 TRUCK INDEX



A

Accelerator Cables	44
Accelerator Pedal	44
Air Cleaner	43
Air Cleaner Decals	123
Air Conditioner Parts	73
Air Conditioner Register	81
Air Control Cable	75
Air Vent Gasket	76
Alternator Related Parts	45
Antenna	72
Anti-Rattler Kit	87
Apparel	133 -135
Arm & Bracket - Sunvisor	77
Arm Rest	93
Arm Rest Finger Cups	93
Ashtray Door Bumpers	79
Aux. Fuel Dash Bezel	79
Axle Bearings	11
Axle Bumpers	16
Axle Pivot Bushings	17
Axle Seals	11

B

Back Belt Moulding	120
Bearing Adjustment Nut	10
Bed Reflector	51
Bedside Toolbox Seal	102
Bed Strips & Bolts	106
Bed To Frame Bolts	102 ,107
Back-Up Light Switch	53
Back Window Rubber	84
Ball Joint	16
Battery Tray Parts	45
Bed Board End Cap Strip	107
Bed Parts - Stepside	105
Bed Rails	103
Bed Side - Stepside	105
Bed Side Nameplates	63
Bed Top Side Rail Kit	103
Big Truck Parts	128 -129
Body Pillar Seal	57
Body Rubber Plugs	76 ,95
Body Side Reflectors	51
Books	126
Brake	12 -14
Brake Adjusting Hole Cover	13
Brake Adjusting Spring	13
Brake Arm Bushing	15
Brake Cable	15
Brake Cable - Front	15
Brake Cable - Rear	15

Brake Cable To Floor Seal	15
Brake Drum	13
Brake Hardware Kit	12
Brake Hoses	14
Brake Light Switch	15
Brake Master Cylinder Assembly	12
Brake Pedal Bumper	15 ,30
Brake Pedal Bushings	15
Brake Pedal Pad	15
Brake Shoes	12
Brake Warning Light	79 ,81
Brochures	126
Bulb	
Side Marker	78 ,81
Bulbs	
General	127
Instrument Panel	78 ,81
Parklight	51
Bulbs	
Headlight	49
Bumper	70 -71
Bumper Bolts	70 -71
Bumper Bolts	71
Bumper Guard	70
Bumper Stickers	127
By Pass Hose - Water Pump	38

C

Cab Belt Moulding	120
Cab Corner	97
Cab Corner Rubber Plug	95
Cab Mount Inspection Plate	97
Cab Mounts	97
Cab To Frame Mounting Kit	22
Cab Weatherstripping Kit	85
Canceling Cam	54
Caps	135
Carburetor Parts	43 -44
Carburetor Repair Kits	43
Cargo Dash Bezel	79
Cargo Lamp	55
Carpet	82
Choke Cable	44
Cigar Lighter	78 ,80
Cluster Backing Plate	81
Cluster Bezels	79 ,81
Cluster Lens	79 ,81
Clutch Arm Bushing	15
Clutch Lever Boots	30
Clutch Parts	31
Clutch Pedal Bumper	15 ,30
Clutch Pedal Bushings	15
Clutch Pedal Pad	15
Clutch Release Lever Rod	31
Clutch Rod To Floor Seal	30

Coat Hanger Hook	95
Coil	47
Coil Spring Plate	16
Column Shifter Parts	29
Column To Floor Seal	18
Condensers	46
Connecting Rod	24
Core Support	34
Cotter Pin	10
Cowl Lacing	59
Cowl Side Air Vent Gasket	76
Crankcase Ventilator Parts	25
Crankshaft Parts	24
Crankshaft Pulley	24
Cylinder Head	24
Cylinder Head Assembly	24

D

Dash Bezels	78 -81 ,79 ,81
Dash Knobs	78 -80
Dash Pads	83
Day/Night Mirror	67
Decals	123 -125
Denim Shirts	134
Differential Housing Gasket	11
Differential Pinion Seal	11
Differential Ring Gear	11
Dimmer Switch	49
Dip Stick Tube	26
Distributor Cap	46
Distributor Vacuum Advance	47
Distributor Wiring	47
Division Bar Glass Run	87
Dome Light Parts	54
Door	86 -93
Door Components	89 -93
Door Glass Anti-Rattlers	87
Door Glass Lift Channel	89
Door Glass Run	87
Door Lock Key Blank	20
Door Outer Skin	97
Door Scuff Plates	82
Door Shell Assembly	86
Door / Window Anti-Rattlers	87
Door Arm Rest	93
Door Handles	90
Door Handle Cup	90
Door Hinge Pin	91
Door Lock Components	91
Door Lock Cylinders & Keys	91
Door Lock Knobs	91
Door Panels	92
Door Seal Kit	86
Drag Link	19
Drag Link Assembly	19
Drain Cocks	34
Drain Plug - Oil Pan	26

Drip Rail Moulding.....	121
Drum Brake Hardware Kit.....	12
Dust Caps - Hub.....	10

E

EGR Valve.....	42
Electronic Ignition System.....	47
Emblems	
Bed Side.....	63
Bed Side Nameplates.....	63
Cab.....	63
Cowl Side.....	62
Front Fender.....	62
Glove Box.....	83
Grille.....	33
Grille Letters.....	33
Hood.....	60
Hood Letters.....	60
Hood Ornaments.....	61
Horn.....	20,21
Horn Buttons.....	21
Hub Cap.....	9
Name Plates.....	62-63
Tailgate.....	103
Emission Decals.....	125
Engine Compartment Decals.....	124
Engine Lamp Assembly.....	24,51
Engine Parts.....	24-26
Engine Wiring Clip.....	24
Exhaust Deflectors.....	67
Exhaust Recirculation	
Vacuum Valve.....	42
Exterior Rubber.....	84-85

F

Fan Shroud.....	35-37
Fender Emblems.....	62
Fender Reflectors.....	51
Fenders.....	56-57
Fender Bolts.....	57
Fender Seals.....	56
Fender Splash Shield.....	56
Fender Welt.....	57
Finger Cups.....	93
Firewall Cover & Clips.....	76
Firewall To Hood Seal.....	59
Flasher.....	54
Flasher Switch.....	79
Floor Carpet.....	82
Floor Mats.....	82
Floor Pan.....	97
Floor Seal	
Brake Cable.....	15
Clutch Rod.....	30
Steering Column.....	18
Floor Shift Boot Retainer.....	30
Flywheel.....	24

Flywheel Ring Gear.....	24
Ford Time Magazine.....	126
Frame Pad Kit	
Cab.....	22
Radiator.....	34
Front Axle Bumpers.....	16
Front Body Pillar Seal.....	57
Front Brake Cable.....	15
Front Brake Hoses.....	14
Front Brake Shoes.....	12
Front Bumper.....	70
Front Cab Mounts - Metal.....	97
Front Fender Mouldings.....	115
Front Fenders.....	56
Front Fender Seals.....	56
Front Fender Splash Shield.....	56
Front Floor Mat.....	82
Front Floor Pan.....	97
Front Hub Bolt.....	10
Front Hub Dust Cap.....	10
Front Inner Fender.....	56
Front Of Box Panel.....	105
Front Shock Absorbers.....	22,67
Front Spindle.....	16
Front Stabilizer Bar.....	22
Front Wheel Bearing & Races.....	10
Front Wheel Cylinder.....	13
Front Wheel Cylinder Repair Kits.....	13
Front Wheel Seals.....	10
Front Windshield Rubber.....	84
Fuel Lines.....	42
Fuel Pump.....	42
Fuel Tank Filler Pipe Parts.....	41
Fuel Tanks.....	40
Fuel Tank Sending Unit.....	41
Fuel Tank Slushing Compound.....	40

G

Gas Caps.....	40
Gas Pedal.....	44
Gas Tank Filler Pipe Parts.....	41
Gas Tanks.....	40
Gas Tank Door Parts.....	40
Gas Tank Selector Parts.....	41
Gas Tank Sending Unit.....	41
Gas Tank Slushing Compound.....	40
Gear Shift Knob.....	29
Gear Shift Lever Pin.....	29
Glass Run.....	87
Glass Tape.....	89
Glove Box.....	83
Glove Box Key Blank.....	20
Glue.....	85
Grilles.....	32
Grille Emblem.....	33
Grille Plastic Inserts.....	33

H

Harmonic Balancer.....	24
Hats.....	135
Head Lamp Dash Bezel.....	78
Headlight.....	48-49
67-69.....	48
70-72.....	48
73-79.....	49
78-79.....	49
Headlight Dimmer Switch.....	49
Headlight Switch.....	78,80
Headliners.....	96
Heater Cables.....	75
Heater Hose.....	75
Heater Parts.....	73-75
Heater & A/C Parts.....	73
Heat Shields - Radiator.....	34
Hinge Pin.....	91
Hood Bumpers.....	59
Hood Hinge.....	59
Hood Latch / Lock.....	59
Hood Lip Moulding.....	60
Hood Ornaments.....	61
Hood Parts.....	59-61
Hood Side Nameplate.....	60
Horn Assembly.....	21
Horn Bar.....	21
Horn Bar Pad & Switch.....	21
Horn Relay.....	21
Horn Ring.....	20
Horn Ring Parts.....	20
Hoses	
Brake.....	14
Heater.....	75
Radiator.....	34
Hub And Rotor Assembly.....	10
Hub Bolts.....	10
Hub Caps.....	9
Hub Cap Emblems.....	9
Hub Dust Caps.....	10

I

Ignition Coil.....	47
Ignition Condenser.....	46
Ignition Cylinder Assembly... ..	78,80,91
Ignition Key Blank.....	20
Ignition Points.....	46
Ignition Switch.....	78,80
Ignition Tune-Up Kits.....	46
Inner Door Bottom Panel.....	97
Inner Fender.....	56
Inner Fender Seals.....	56
Inner Tie Rod Ends.....	16
Inner Wheel Bearing.....	10
Inside Door Handles.....	90
Inside Door Handle Cup.....	90
Inside Rear View Mirror.....	67

67-79 TRUCK INDEX

Inside Wheelhouse Panel.....	103
Inside Window Crank.....	89
Inspection Plate - Cab Mount.....	97
Instrument Cluster Bezels.....	79,81
Instrument Cluster Lens.....	81
Instrument Cluster Lens.....	78
Instrument Cluster Related Parts .	79,81
Instrument Panel Bulb.....	78,81
Instrument Panel Lamp & Bulb ...	78,81
Interior Decals.....	125
Interior Light.....	54

J-L

Jackets.....	134
Jack Instruction Decals.....	125
Key Blanks.....	20
Key Sets.....	91
King Pin Bolt Set.....	16
Knobs	
Cigar.....	78,80
Gear Shift.....	29
Radio.....	78
Wiper.....	79-80
Lamp Assembly - Engine.....	24
License Plate Bolts.....	55
License Plate Light Assembly.....	55
Lift Channel.....	89
Lifter.....	24
Light Bulbs.....	127
Literature.....	126
Locking Gas Cap.....	40
Locking Hub Parts.....	11
Lock Knobs.....	91
Lower Rocker Panel Moulding.....	118
Lower Steering Column Bearing.....	18
Lug Nut Protectors.....	10
Lug Nuts.....	10

M

Magnetic Signs.....	127
Manuals.....	126
Master Cylinder Assembly.....	12
Master Cylinder Repair Kits.....	12
Metal Patch Panels.....	97
Moldings - 66-77	
Front Fender.....	115,116,117
Motor Mounts.....	25
Moulding Kit - Back Window.....	84
Moldings - 1967.....	108-115
Moldings - Upper.....	108-121
Moulding Kit - Quarter Window.....	94
Moulding Kit - Windshield.....	84

N

Nameplates	
Bed Side.....	63

Cab.....	63
Cowl Side.....	62
Fender.....	62
Hood.....	61
Neutral Safety Switch.....	28

O-R

Oil Dip Stick Tube.....	26
Oil Filler Cap.....	26
Oil Filters.....	26
Oil Pan.....	26
Oil Pressure Sending Unit.....	26
Oil Pump.....	26
Ornaments - Hood.....	61
Outer Rocker Patch Panel.....	97
Outer Skin - Door.....	97
Outer Wheel Bearing.....	10
Outside Door Handles.....	90
Outside Rear View Mirror.....	67
Overdrive Cable Assembly.....	30
Padded Sunvisor.....	77
Park Brake Cable To Floor Seal.....	15
Parking Brake Pedal Pad.....	15
Parklight Socket.....	51
Park Brake Cable Clip.....	15
Park Light.....	50-51
Patch Panels.....	97
Pcv Valve.....	25
Pedal Bumpers.....	30
Pedal Bushings.....	15
Pedal Pad	
Clutch.....	15
Parking Brake.....	15
Pinion Seal.....	11
Plastic Valve Stem.....	10
Plug Gasket - Oil Pan.....	26
Plug Wires.....	47
Points.....	46
Power Steering.....	19
Power Steering Box Seal Kit.....	19
Power Steering Control Valve.....	19
Push Rod.....	24
Quarter Window Seal.....	94
Racetrak Moulding.....	116-117
Radiator.....	34-37
Radiator Cap.....	34
Radiator Core Support.....	34
Radiator Frame Pad Kit.....	34
Radiator Hose.....	34
Radiator Drain Cocks.....	34
Radio Antenna.....	72
Radio Knobs & Bezels.....	78
Radio & Speaker Wire.....	72
Radius Arm Bushings.....	17
Radius Rod.....	17

Rag Joints.....	18
Rear Axle Bearing.....	11
Rear Axle Bearings.....	11
Rear Axle Bumpers.....	16
Rear Axle Seals.....	11
Rear Bed Runner.....	105
Rear Bed Side Marker Lights.....	51
Rear Brake Adjusting Spring.....	13
Rear Brake Cable.....	15
Rear Brake Drum.....	13
Rear Brake Hoses.....	14
Rear Brake Shoes.....	12
Rear Bumper.....	71
Rear Cab Corners.....	97
Rear Cab Mouldings.....	120
Rear Fender.....	57
Rear Fender Bolts.....	57
Rear Hub Bolt.....	10
Rear License Plate Light Assembly...	55
Rear Shock Absorbers.....	22,67
Rear Spring Shackle Kit.....	23
Rear View Mirror.....	67
Rear Wheel Cylinder Repair Kits.....	13
Rear Wheel Cylinders.....	13
Rear Wheel Opening Splash Shield.	103
Rear Window Rubber.....	84
Reflector Assembly.....	51
Relay - Horn.....	21
Repair Panels.....	97
Ring Gear And Pinion Set.....	11
Ring Gear - Fly Wheel.....	24
Rocker Arm Parts.....	24
Rocker Mouldings.....	118-119
Rocker Patch Panel.....	97
Roof Drip Rail Moulding.....	121
Rotor & Hub Assembly.....	10
Rotor - Ignition.....	46
Rotor Seals.....	10
Rubber Plugs.....	76,95

S

Sales Brochure.....	126
Scuff Plates.....	82
Seat Parts.....	95
Shackle Kits.....	23
Sheet Metal.....	97
Sheet Metal Repair Panels.....	97
Shift Dial.....	28
Shift Dial Housing.....	28
Shifter Boot.....	30
Shifter Knobs.....	29
Shifter Lever Socket.....	29
Shifter Pins.....	28
Shift Boot Retainer.....	30
Shift Indicator.....	28
Shift Indicator Cover.....	28
Shift Indicator Pointer.....	28

Shift Modulator.....	29
Shift Tubes.....	18,29
Shock Absorbers.....	22,67
Shrouds.....	35-37
Side Marker Lights.....	51
Side Mouldings.....	108-121
Side Of Hood Nameplate.....	60
Side Rail Kit.....	103
Signal Canceling Cam.....	54
Signal Flasher.....	54
Signal Lever.....	54
Signal Switch.....	54
Slushing Compound.....	40
Solid State Electronic Ignition System.....	47
Spark Plug Wire Set.....	47
Speaker Wire.....	72
Speaker Wires.....	72
Speedometer.....	64-65
Speedometer Cable.....	64
Spindle Assembly.....	16
Spindle Bolt Set.....	16
Splash Shield - Rear Wheel Opening.....	103
Spring Bushings.....	23
Spring Plate.....	16
Spring Shackle Kit.....	23
Stabilizer Bar.....	22
Stainless Vent Shades.....	67
Starter Solenoid.....	45
Star Wheel Adj. Screw.....	13
Steel Brake Lines.....	14
Steering.....	18-20
Steering Box Seal Kit.....	19
Steering Column.....	18-19
Steering Column Bearing.....	18
Steering Column To Floor Seal.....	18
Steering Drag Link Assembly.....	19
Steering Shaft Coupling.....	18
Steering Wheel.....	20
Step-Bumper.....	71
Stepside Rear Fender Bolts.....	57
Stepside Tailgate.....	104
Striker Plate.....	91
Sunvisor Parts.....	77
Anchor Pin & Boot Tip.....	77
Arm & Bracket.....	77
Sweatshirts.....	135
Switches	
Air Conditioner.....	73
Back-Up Light.....	53
Brake Light.....	15
Dome Light.....	54
Flasher.....	79
Gas Tank Selector.....	41
Headlight.....	78,80
Headlight Dimmer.....	49
Heater Blower.....	74
Horn Relay.....	21

Ignition.....	78,80
Neutral Safety.....	28
Neutral Safety Switch.....	28
Oil Pressure Sending Unit.....	26
Starter Solenoid.....	45
Temp Coolant.....	38
Temperature Control Switch.....	38
Turn Signal.....	54
Wiper.....	68,79,80
Wiper Switch.....	68,79,80

T

Tailgate.....	98-104
Tailgate - 67-72	
Finish Panel.....	99
Hinge & Supports.....	99
Latch.....	99
Mouldings.....	98
Release Lever.....	99
Tailgate - 73-79.....	100-101
Finish Panel.....	101
Hinge & Supports.....	101
Latch.....	101
Mouldings.....	100
Name Plate.....	103
Release Lever.....	101
Tailgate - Stepside.....	104
Tailgate Bumpers.....	102
Tailgate Chains - Stepside.....	104
Tailgate Hinges - Stepside.....	104
Tailgate Latch - Stepside.....	104
Tailgate Mouldings.....	98-100
Taillight.....	52-53
Taillight Lens Rims.....	53
Taillight Socket.....	51
Taillight Wire & Socket.....	53
Temperature Control Cable.....	75
Temperature Regulator Valve.....	73
Thermostats.....	38
Throttle Cable Assembly.....	44
Tie Down Hooks.....	103
Tie Rod Ends.....	16
Toolbox Seal.....	102
Transmission Control Selector Lever	
Socket.....	29
Transmission Gear Shift.....	29
Transmission Mount.....	25
T-Shirts.....	133
Tune-Up Kits.....	46
Turn Signal Canceling Cam.....	54
Turn Signal Flasher.....	54
Turn Signal Lever.....	54
Turn Signal Parts.....	54
Turn Signal Switch.....	54

U-V

Universal Motor Mounts.....	25
Upper Mouldings	
1967 108-109.....	
1968-72.....	110-111
1970-72.....	112-113
Upper Moulings	
1973-79.....	114-115
Upper Ball Joint.....	16
Upper Door Seal.....	86
Upper Steering Column Bearing.....	18
Vacuum Advance.....	47
Valve Cover Decals.....	124
Valve Cover Gasket.....	24
Valve Related Parts.....	24
Valve Stem.....	10
Vapor Lines.....	42
Vent Shades.....	67
Vent Window.....	88

W

Washer Pump.....	68
Water Pumps.....	38
Weatherstrip Glue.....	85
Weatherstripping Kit.....	85
Wheel Cylinder Assemblies.....	13
Wheel Cylinder Repair Kits.....	13
Wheel Cylinders.....	13
Wheelhouse Panel.....	103
Wheel Bearings.....	10
Wheel Opening Mouldings.....	120
Wheel Seals.....	10
Window Anti-Rattler Kit.....	87
Window Crank.....	89
Window Crank Handle Knobs - Inside.....	89
Window Lift Channel.....	89
Window Regulator.....	89
Window Vent Shades.....	67
Windshield Chrome Mouldings.....	84
Windshield Rubber.....	84
Windshield Washer Parts.....	68
Windshield Washer Pump.....	68
Wiper Arms.....	69
Wiper Blades.....	69
Wiper Motor.....	68
Wiper Pivot Parts.....	69
Wiper Switch.....	68,79,80
Wiper Washer Dash Bezel.....	79
Wire Loom Clips.....	55
Wiring Clips.....	55
Wiring Diagram.....	126

Z

Zip Ties.....	55
---------------	----