

***Tamper-Resistant and
Weather Resistant Receptacles***
— the new standard in electrical safety.



BRYANT



Tamper-Resistant and Weather Resistant Duplex Receptacles

Why Tamper-Resistant?

The tamper-resistant code requirement is all about safety.

- Approximately 2,400 children per year suffer electrical outlet related injuries.
- For years, the design and use of tamper-resistant receptacles has been proven effective in pediatric areas and hospital installations nationwide. It makes sense to have them in homes as well.
- The additional cost per device is minimal and well worth it.
- Required by states that adopt 2008 NEC®.

What Do These Code Requirements Mean?

Tamper-Resistant



Tamper-Resistant Duplex Receptacles

Complies with NEC 406.11
Complies with NEC 210.52
Complies with NEC 511.18c

All 125V, 15A and 20A receptacles shall be listed tamper-resistant receptacles per NEC Article 406.11, "Tamper-Resistant Receptacles in Dwelling Units".



Schools



Pediatric Healthcare Facilities



Lobbies



Day-Care Centers

These symbols appear throughout for easy identification.



Tamper-Resistant (TR) receptacles incorporate internal mechanisms to limit access to energized internal components.

TR receptacles are a mandatory requirement in the 2008 NEC for use in dwelling unit outlets. There are also many other applications where the use of TR receptacles can provide an additional level of electrical safety such as Schools, Pediatric Facilities, Lobbies and Day-Care Centers.

Weather Resistant



Weather Resistant Duplex Receptacles

Complies with NEC 406.8(A)

All 125V and 250V, 15A and 20A receptacles shall be listed as weather resistant type per NEC Article 406.8, "Receptacles in Damp and Wet Locations".



Transit Centers



Washdown Areas



Amusement Parks



Open Air Markets

Weather Resistant (WR) receptacles installed outdoors or in wet and damp locations are subject to more demanding temperature variations, direct sunlight and unusual mechanical abuse than those in a typical dry environment. Bryant's WR receptacles are specifically designed to withstand these environments and conditions.

Ground Fault Receptacles



- Patented tamper-resistant protection
- Limits improper access to energized contacts
- No power at face if reverse wired
- Flashing RED LED, indicates device has lost capability to provide ground fault protection
- Open terminal design
- Accepts fork terminals
- Automatic grounding feature and internal back wire facilitate installation

Commercial & Hospital Grade Ground Fault Receptacles



**Commercial Grade
Tamper-Resistant
Weather Resistant
Back & Side Wired
15A 125V
NEMA 5-15R**

**Hospital Grade
Tamper-Resistant
Weather Resistant
Back & Side Wired
15A 125V
NEMA 5-15R**

Color
Almond
Black
Brown
Gray
Ivory
Light Almond
Office White
Red
White

**GFTR15AL
GFTR15BK
GFTR15
GFTR15GY
GFTR15I
GFTR15LA
GFTR15OW
GFTR15R
GFTR15W**

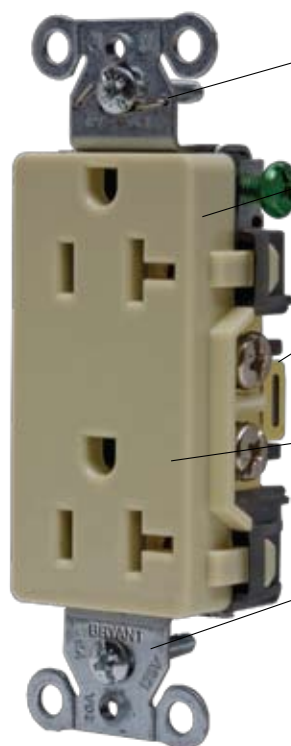
**GF82ALTR
GF82BKTR
GF82TR
GF82GYTR
GF82ITR
GF82LATR
GF82OWTR
GF82RTR
GF82WTR**

Color
Almond
Black
Brown
Gray
Ivory
Light Almond
Office White
Red
White

**20A 125V
NEMA 5-20R**
**GFTR20AL
GFTR20BK
GFTR20
GFTR20GY
GFTR20I
GFTR20LA
GFTR20OW
GFTR20R
GFTR20W**

**20A 125V
NEMA 5-20R**
**GF83ALTR
GF83BKTR
GF83TR
GF83GYTR
GF83ITR
GF83LATR
GF83OWTR
GF83RTR
GF83WTR**

Commercial Grade Receptacles Fashion Series®



- Self-grounding staple for fast and easy installation
- Durable construction using nylon face and base
- Easy access split circuit tab
- Accepts fork terminals
- Fashion Series® provides modern architectural appearance
- Decorator face
- Sturdy construction wrap-around galvanized steel strap

Commercial Grade Fashion Series® Receptacles



Back & Side Wired
15A 125V
NEMA 5-15R



Tamper-Resistant
Back & Side Wired
15A 125V
NEMA 5-15R



Weather Resistant
Tamper-Resistant
Back & Side Wired
15A 125V
NEMA 5-15R

Color
Almond
Black
Brown
Gray
Ivory
Light Almond
White

DRS15AL
DRS15BLK
DRS15
DRS15GRY
DRS15I
DRS15LA
DRS15WHI

DRS15ALTR
DRS15BLKTR
DRS15TR
DRS15GRYTR
DRS15ITR
DRS15LATR
DRS15WTR

DRS15ALWRTR
DRS15BLKWRTR
DRS15WRTR
DRS15GRYWRTR
DRS15IWRTR
DRS15LAWRTR
DRS15WWRTR

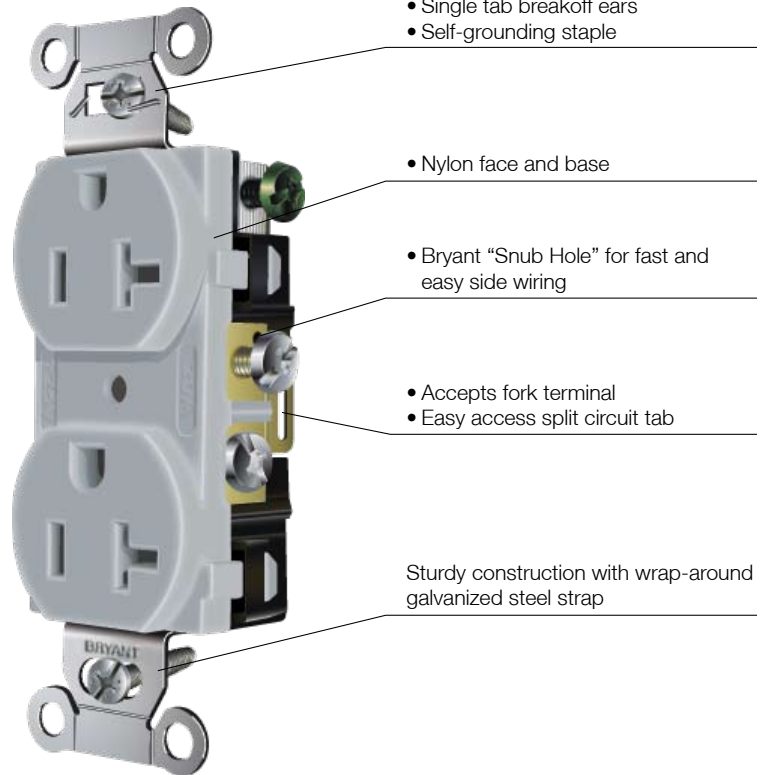
Color
Almond
Black
Brown
Gray
Ivory
Light Almond
White

20A 125V
NEMA 5-20R
DRS20AL
DRS20BLK
DRS20
DRS20GRY
DRS20I
DRS20LA
DRS20WHI

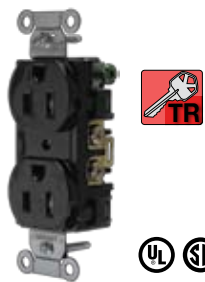
20A 125V
NEMA 5-20R
DRS20ALTR
DRS20BLKTR
DRS20TR
DRS20GRYTR
DRS20ITR
DRS20LATR
DRS20WTR

20A 125V
NEMA 5-20R
DRS20ALWRTR
DRS20BLKWRTR
DRS20WRTR
DRS20GRYWRTR
DRS20IWRTR
DRS20LAWRTR
DRS20WWRTR

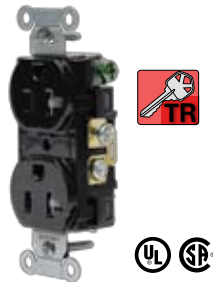
Commercial Grade Receptacles Standard Duplex



Commercial Grade Standard Duplex Receptacles



**Tamper-Resistant
Side Wired
15A 125V
NEMA 5-15R**



**Tamper-Resistant
Back & Side Wired
15A 125V
NEMA 5-15R**



**Weather Resistant
Back & Side Wired
15A 125V
NEMA 5-15R**



**Weather Resistant
Tamper-Resistant
Back & Side Wired
15A 125V
NEMA 5-15R**

Color
Almond
Black
Brown
Gray
Ivory
Light Almond
White

CRS15ALTR
CRS15BLKTR
CRS15TR
CRS15GRYTR
CRS15ITR
CRS15LATR
CRS15WTR

CBRS15ALTR
CBRS15BLKTR
CBRS15TR
CBRS15GRYTR
CBRS15ITR
CBRS15LATR
CBRS15WTR

CBRS15ALWR
CBRS15BLKWR
CBRS15WR
CBRS15GRYWR
CBRS15IWR
CBRS15LAWR
CBRS15WWR

CBRS15ALWRTR
CBRS15BLKWRTR
CBRS15WRTR
CBRS15GRYWRTR
CBRS15IWRTR
CBRS15LAWRTR
CBRS15WWRTR

Color
Almond
Black
Brown
Gray
Ivory
Light Almond
White

CRS20ALTR
CRS20BLKTR
CRS20TR
CRS20GRYTR
CRS20ITR
CRS20LATR
CRS20WTR

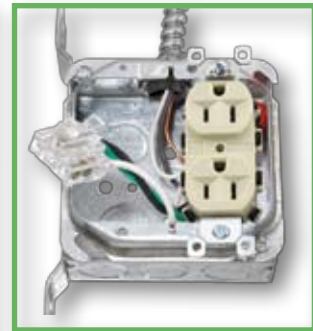
CBRS20ALTR
CBRS20BLKTR
CBRS20TR
CBRS20GRYTR
CBRS20ITR
CBRS20LATR
CBRS20WTR

CBRS20ALWR
CBRS20BLKWR
CBRS20WR
CBRS20GRYWR
CBRS20IWR
CBRS20LAWR
CBRS20WWR

CBRS20ALWRTR
CBRS20BLKWRTR
CBRS20WRTR
CBRS20GRYWRTR
CBRS20IWRTR
CBRS20LAWRTR
CBRS20WWRTR

Bryant Quick-Tech™ Duplex Receptacles

Bryant's new Quick-Tech™ receptacle provides a quick and simple method to wire a receptacle!



Quick-Tech™ Pigtailed Terminal



QT6R1

Description

Clear Connector with 6" Leads - Solid Wire

Clear Connector with 6" Leads - Stranded Wire

Catalog Numbers

QT6R1

QT6R2

Quick-Tech™ Specification Grade Duplex Receptacles



QT5262I



Color

Almond
Black
Brown
Gray
Ivory
Light Almond
Red
White

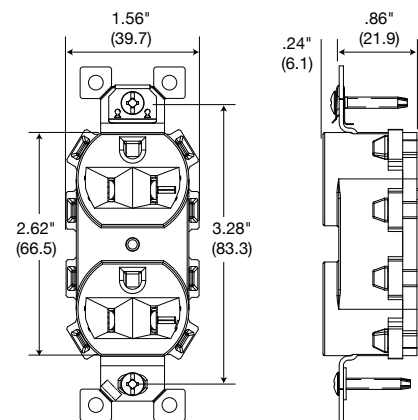
15A 125V
NEMA 5-15R

QT5262AL
QT5262BK
QT5262
QT5262GY
QT5262I
QT5262LA
QT5262R
QT5262W

20A 125V
NEMA 5-20R

QT5362AL
QT5362BK
QT5362
QT5362GY
QT5362I
QT5362LA
QT5362R
QT5362W

Dimensions Inches (mm)



Quick-Tech™ Hospital Grade Duplex Receptacles



QT8200W



Color

Almond
Black
Brown
Gray
Ivory
Light Almond
Red
White

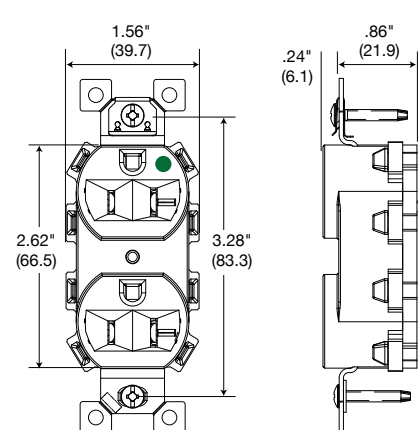
15A 125V
NEMA 5-15R

QT8200AL
QT8200BK
QT8200
QT8200GY
QT8200I
QT8200LA
QT8200R
QT8200W

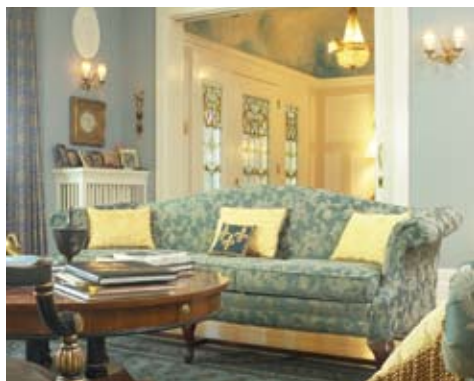
20A 125V
NEMA 5-20R

QT8300AL
QT8300BK
QT8300
QT8300GY
QT8300I
QT8300LA
QT8300R
QT8300W

Dimensions Inches (mm)



Tamper-Resistant Receptacles



Residential Tamper-Resistant Performance

Protection is always available with tamper-resistant receptacles. They are reliable, automatic and permanent. With attention to design and performance, Bryant has developed a new shutter mechanism to enable tamper-resistance to be built into standard and decorator duplexes, single receptacles, floor boxes and other power devices. At Bryant, performance is our history, safety is our goal—now for your home.

Color	Standard Duplex Self-Grounding 15A 125V
Almond	RR15SALTR
Black	RR15SBKTR
Brown	RR15STR
Gray	—
Ivory	RR15SITR
Light Almond	RR15SLATR
White	RR15SWTR



Color	Standard Duplex Quick Thread 15A 125V
Almond	RR15QALTR
Black	RR15QBKTR
Brown	RR15QTR
Gray	—
Ivory	RR15QITR
Light Almond	RR15QLATR
White	RR15QWTR



Color	Decorator Duplex Self-Grounding 15A 125V
Almond	RRD15SALTR
Black	RRD15SBKTR
Brown	RRD15STR
Gray	RRD15SGYTR
Ivory	RRD15SITR
Light Almond	RRD15SLATR
White	RRD15SWTR



Color	Standard Duplex Cut Ears 15A 125V
Almond	RR15KALTR
Black	RR15KBKTR
Brown	RR15KTR
Gray	—
Ivory	RR15KITR
Light Almond	RR15KLATR
White	RR15KWTR



Color	Standard Single Receptacle 15A 125V
Almond	RR151ALTR
Black	RR151BKTR
Brown	RR151TR
Gray	RR151GYTR
Ivory	RR151ITR
Light Almond	RR151LATR
White	RR151WTR



Color	Standard Single Receptacle 20A 125V
Almond	RR201ALTR
Black	RR201BKTR
Brown	RR201TR
Gray	RR201GYTR
Ivory	RR201ITR
Light Almond	RR201LATR
White	RR201WTR



Color	Decorator Single Receptacle 15A 125V
Almond	RRD151ALTR
Black	RRD151BKTR
Brown	RRD151TR
Gray	RRD151GYTR
Ivory	RRD151ITR
Light Almond	RRD151LATR
White	RRD151WTR



Color	Decorator Single Receptacle 20A 125V
Almond	RRD201ALTR
Black	RRD201BKTR
Brown	RRD201TR
Gray	RRD201GYTR
Ivory	RRD201ITR
Light Almond	RRD201LATR
White	RRD201WTR



Color	Standard Combo SP Switch 15A 120V Receptacle 15A 125V
Almond	RC108ALTR
Black	—
Brown	RC108TR
Gray	—
Ivory	RC108ITR
Light Almond	RC108LATR
White	RC108WTR



Color	Standard Combo 3W Switch 15A 120V Receptacle 15A 125V
Almond	RC308ALTR
Black	—
Brown	RC308TR
Gray	—
Ivory	RC308ITR
Light Almond	RC308LATR
White	RC308WTR



Color	Decorator Combo SP Switch 15A 120V Receptacle 15A 125V
Almond	RCD108ALTR
Black	RCD108BKTR
Brown	—
Gray	RCD108GYTR
Ivory	RCD108ITR
Light Almond	RCD108LATR
White	RCD108WTR



Color	Decorator Combo 3W Switch 15A 120V Receptacle 15A 125V
Almond	RCD308ALTR
Black	RCD308BKTR
Brown	—
Gray	RCD308GYTR
Ivory	RCD308ITR
Light Almond	RCD308LATR
White	RCD308WTR



Tamper-Resistant and Weather Resistant Receptacles

— the new standard in electrical safety.



Contact Information

Regional Managers

Northeast Region

Dave Jones

Office: 401-792-3976
Fax: 401-792-3926
e-mail: djones@hubbell.com

Southeast Region

Tony Scenna

Office: 270-780-0303
Fax: 270-780-0304
e-mail: tscenna@hubbell.com

Midwest Region

Randy Sengbusch

Office: 262-942-4827
Fax: 262-942-1883
e-mail: rsengbus@hubbell.com

Northwest Region

Erich Leaverton

Office: 510-336-9574
Fax: 510 531-3892
e-mail: nleavert@hubbell.com

Southwest Region

Rick Carlson

Office: 972-690-5601
Fax: 972-690-3933
e-mail: ricarlson@hubbell.com

National Account Manager Modular/Mobile Homes & Recreational Vehicles

Glenn Jensen

Office: 574-273-1243
e-mail: gjensen@hubbell.com

Customer Service/ Technical Service

800-323-2792

For a searchable list of authorized distributors and sales agents,
visit our website at www.bryant-electric.com