

LENZ

TANK ACCESSORIES



FILLER BREATHERS
FILTER BREATHERS
DESICCANT BREATHERS
PRESSURIZED BREATHERS
FILL NECKS
PORT FLANGES
BALL VALVES
END COVERS

SIGHT GAUGES
SIGHT GLASSES
TANK MAGNETS
SUCTION & RETURN FLANGES
RUBBER BUSHINGS
VENT BREATHERS
DIPSTICKS
MAGNETIC PLUGS



Tank Accessories Table of Contents

Series	TANK ACCESSORIES	Section B Page
XI Series	Extra Large Filler Breather	1b
XL-P	Extra Large Filler Breather	2b
FCS	Filler Breathers	3b
SM, LWR	Side Mount Breathers	4b
FC	Evaporation , Emission Caps	5b New
HYD	Hydraulic Necks	6b New
HDF	Diesel Necks	7b
ABS	Nylon Tank Breathers	8b
LGB	Air Filter Breathers	9b
FCSM, FCS	Mini & Large Capacity Breathers	10b
BF	Metal Threaded Breathers	11b
LMB, BF	Metal Threaded Breathers	12b New
NY Series	Plastic Threaded Breathers	13b
NYPF, LDP	Nylon Push Fit Breathers	14b
LVB, NYPO	Nylon Vent Breathers	15b
NY-B	Plastic Bayonet Style Breathers	16b New
DB	Dessicant Breathers	17b
LRB	Rubber Bushings	18b
TC	Tank Cleanout Covers	19b
MDP, AMDP	Magnetic Plugs	20b New
SF, RF	Reservoir Flanges (Suction & Return)	21b
LLG	Sight Level Gauge	22b
550	Fluid Level Gauge	23b
LSW, LSWA	Sight Windows	24b
LSG, LSD	Oil Level Indicators	25b
1000-2000	Slim Line Magnetic Tank Cleaners	26b
3000-4000	Multi Magnet Tank Cleaners	27b
LHBV	High Pressure Ball Valves	28b
LPBV, ABV	Low Pressure Ball & Air Bleed Valves	29b New
W43	Port Flanges	30b
W4, W59	Port Flanges	31b
W31, W3	Port Flanges	32b
SF, SFX	Port Flanges	33b
	Notes	34b



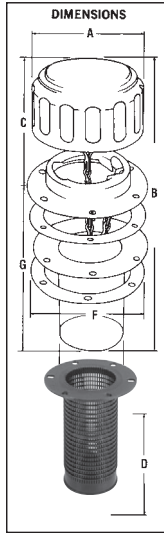


Filler Breather Caps

Extra LARGE-Bayonet Style Filler Strainer Breather

Model 57XL

- 200 GPM or 30 CFM
- Keeps Reservoir Fluids Clean, Protects and Prolongs Hydraulic System Life!
- Each unit packaged in kit with instructions and template for drilling mounting holes.
- Strainer lengths, screen mesh and materials can be varied to meet special needs.



Zinc Plated Cap - Large capacity, Twist-To-Lock, removable cap breathes and filters the air. Air vents are concealed permitting outdoor installation. Fluted finger insertions for easy gripping. 40 Micron (.0016") air filtering is standard (Part No. 40 XL CAP) with Superfine 10 Micron optional (Part No. 10 XL CAP). *Optional Black powder coated cap available.*

Zinc Plated Safety Chain On Every Unit - Prevents loss of cap. J.I.C. approved (Comes as part of Cap).

Zinc Plated Close Neck Filter Flange, Bayonet type. Has six 7/32" holes positioned on a 2 7/8" bolt circle on a 3 1/4" dia. flange (Part No. 5).

Two Heavy Duty Oil Resistant cork Neoprene Gaskets - Provide positive sealing between flanges. Have six matching holes (Part No. 8). *Optional Buna Gaskets*

Stainless Strainer - 30 Mesh Stainless Screen Basket. 3" deep, 1 15/16" in diameter. Large area provides for rapid filling. Screen mounting flange is stainless - with six matching holes (Part No. 7). **Optional screens: 6" length, 100 mesh or 30 mesh. 8" length, 30 mesh*

Six 10-24 Swagelock self-tapping screws (Part No. 9) - prevent metal particles from getting into reservoir during installation by swaging the threads instead of cutting them. *Optional 10-32 swagelock screws.*

(Photo illustrates foam elements)



57XL-40N



BPC-57-XL-40



LC Option Locking Cap



HN Option High Neck



DIP Option Dipstick

Assembly Ordering Code

- 57-XL - 40 - N - *

Omit	(Standard)
SM	Side Mount

Chrome	Omit (Standard)
LC	Locking Cap
ISO	Hydraulic Fluid (Stamped In Cap)
AS	Anti-Splash
BPC	Black Powder (Coated Cap/Flange)

40	40 Micron
10	10 Micron

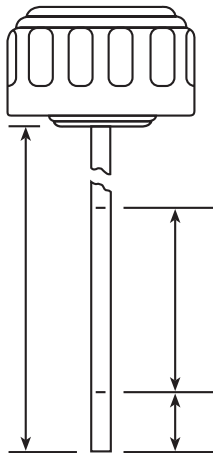
57-XL Assembly

LCH	No Chain
BUNA	Rubber Gasket
1.5 HN	1.5" High Neck
3 HN	3" High Neck
DIP	Specify Dipstick Length

Full, Add, Low, Marks Available Custom Lengths available

Omit	3" 30 Mesh (Standard)
3-100	3" 100 Mesh
N	4" Nylon
6-30	6" 30 Mesh
6-100	6" 100 Mesh
8-30	8" 30 Mesh

Optional Nylon Strainer prevents punch out. Exp: 57XL-40N



Please supply drawing specifying lengths shown. Dipstick may be marked "FULL" and "ADD". Optional wording available.

Cap Only Ordering Code

- AS - 40 XL

Zinc/Sealer	Omit (Standard)
LC	Locking Cap
ISO	Hydraulic Fluid (Stamped In Cap)
AS	Anti-Splash
BPC	Black Powder (Coated Cap/Flange)

40XL	40 Micron
10XL	10 Micron

LCH	No Chain
BUNA	Rubber Gasket
DIP	Specify Dipstick Length



Dimensional Detail

MODEL NUMBER	MICRON	GPM	AIR FLOW	STANDARD							
				A	B	C	D	E	F	G	
57XL	10, 40	160	24	IN	3"	5.3"	2.2"	3.8"	1.9"	3.3"	3"
				MM	76	135	56	97	48	84	76

*G = 3" Length Basket



Pressurized Filler Breather Cap

57XL-10P-5 / 57XL-40P-5

This device is similar to a conventional breather, but it incorporates a relief valve set at 5 PSI and a vacuum breaker. When the fluid level first falls, air enters the reservoir through the vacuum breaker and filter. When the level rises, air is compressed rather than being expelled. Thereafter, changing fluid levels are accommodated by the changing size of the air bubble in the reservoir, instead of by breathing to atmosphere.

Pressurized breathers can reduce breathing by as much as 90% increasing the life of the breather filter by a factor of 10. They are recommended for systems that are expected to operate in extremely dusty environments and mobile applications to prevent spillage. Optional: 10 PSI Relief Valve Setting.



Photo illustrates P5 Valve

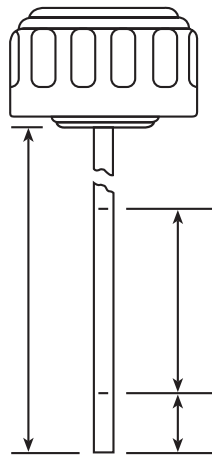
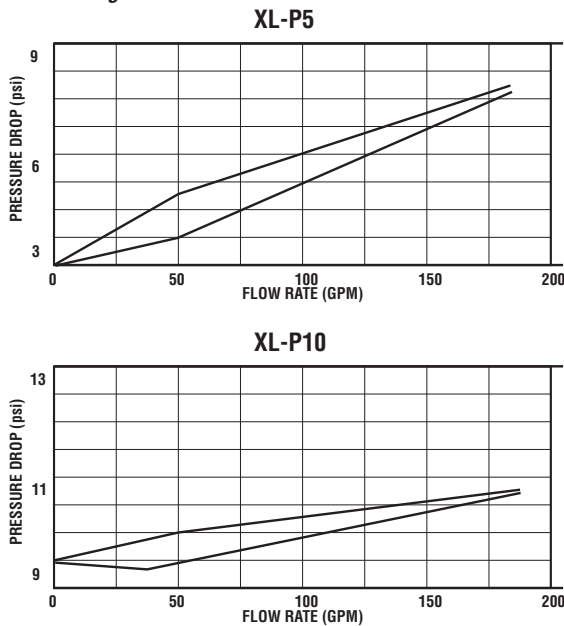
57XL-40-P5

BPC-57XL-40-P5

Dimensional Detail

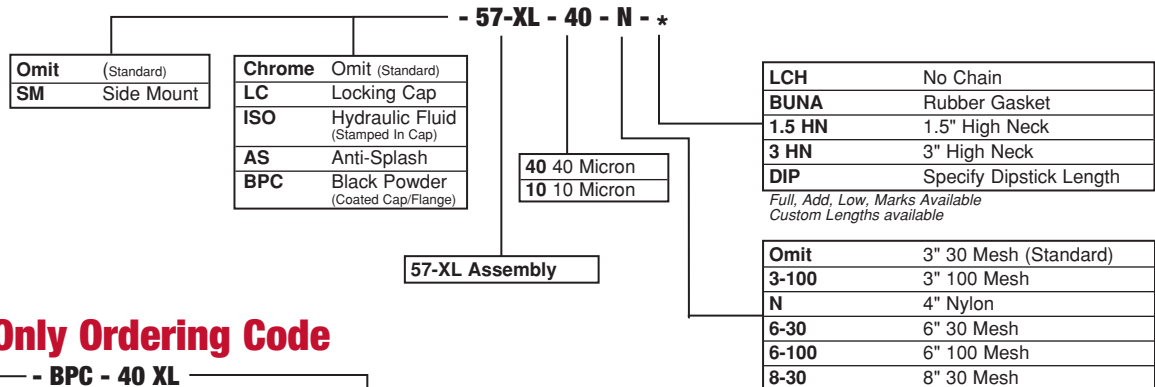
MODEL NUMBER	MICRON	GPM	AIR FLOW	STANDARD							
				IN MM	A	B	C	D	E	F	G
57XL	10, 40	160	24	3 76	5.3 135	2.2 56	3.8 97	1.9 48	3.3 84	3 76	

*G = 3" Length Basket

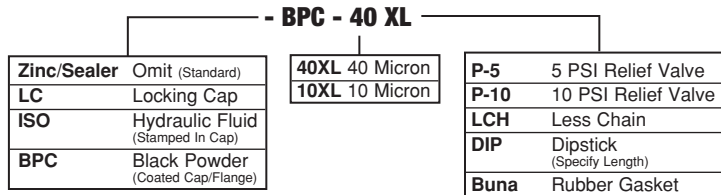


Please supply drawing specifying lengths shown. Dipstick may be marked "FULL" and "ADD". Optional wording available.

Assembly Ordering Code



Cap Only Ordering Code





Filler Breather Caps

Bayonet Style Filler Strainer Breather

Model FCS (40 or 10 Microns)

- 180 GPM or 26.7 CFM
- Keeps Reservoir Fluids Clean, Protects and Prolongs Hydraulic System Life!
- Each unit packaged in kit with instructions and template for drilling mounting holes.
- Strainer lengths, screen mesh and materials can be varied to meet special needs.
- Zinc Plated



FCS-537



FCS-537-W

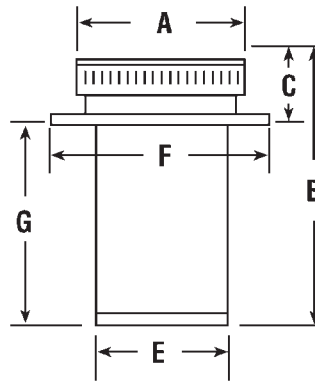
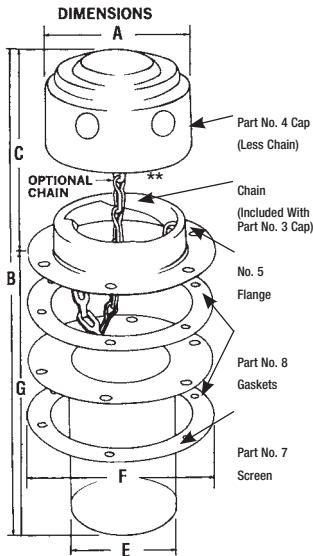


FCS-557
FCS-557V

Dimensional Detail

MODEL NUMBER	MICRON	GPM	AIR FLOW	STANDARD							
					A	B	C	D	E	F	G
FCS-537	10, 40	180	26.7	IN	2.6"	4.8"	1.8"	3.8"	1.9"	3.3"	3"
				MM	66	121	46	97	48	84	76
FCS-557	N/A	0	0	IN	2.5"	4"	1"	3.8"	1.9"	3.3"	3"
				MM	64	102	25	97	48	84	76

*G = 3" Length Basket



FCS-557
FCS-557 V

FCS-537/FCS-537-W

Assembly Ordering Code

* - FCS - 537 - 40 - N - *

Omit	(Standard)
SM	Side Mount
BPC	Black Powder
LC	Locking Cap

FCS 537	(Standard)
FCS 537 W	Weatherproof
FCS 557	Non Vent
FCS 557 V	Vented
FCS 547	FCS 537-LCH
FCS 547 W	FCS 537W-LCH

Omit	(40 Micron)
10	(10 Micron)

BUNA	Rubber Gaskets
1.5 HN	1.5" High Neck
3 HN	3" High Neck
DIP	Specify Dipstick Length

Full, Add, Low, Marks Available
Custom Lengths available

Omit	3" 30 Mesh (Standard)
N	4" Nylon
3-100	3" 100 Mesh
6-30	6" 30 Mesh
6-100	6" 100 Mesh
8-30	8" 30 Mesh

Cap Only Ordering Code

3W - 10

Zinc/Sealer	Omit (Standard)
-------------	-----------------

3W	Weatherproof
3	(Standard)
4W	Weatherproof
4	(Standard)
5NV	Non-Vented
5V	Vented

40	(Omit)
10	(10 Micron)
LCH	Less Chain
DIP	Dipstick





Side Mount Filler Cap Assemblies

Filler Strainer Breather

Model SM

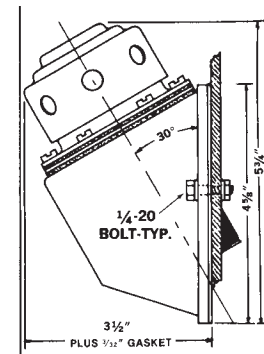
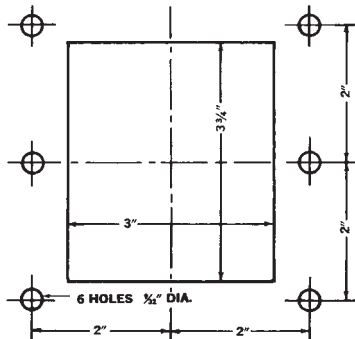
Filters, Breathes and Strains - Makes hydraulic fuel tank customizing easier. Designed for use on tanks that require filling from the end or side. Choice of standard or weather-proof cap (same as Model FCS) at no extra charge. The Super 3" cap used on Model 57-XL is available as an option on these units. Fully assembled and ready to mount. Includes instructions and template.

May also be welded directly to side of reservoir.

Lenz Quality Standards - Heavy-duty design, one-piece housing is of steel. Six bolts with nuts and seals and mounting gasket are included. All other components and specifications are identical to those for Lenz Standard FCS Model or 57XL (Page 1b). Zinc or black powder coated oxide finish optional at additional cost. Separate housings, SMW unplated, are also available. Nylon Screens Not Available on Side Mount.

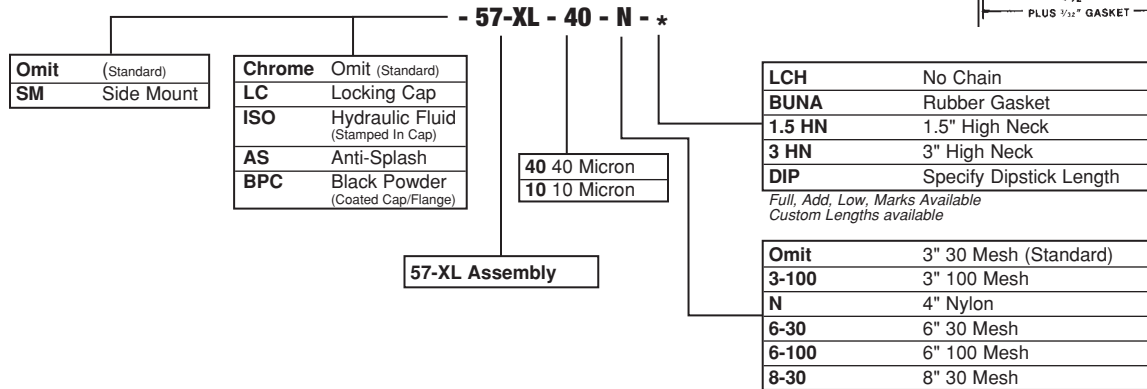


SM-57XL-40

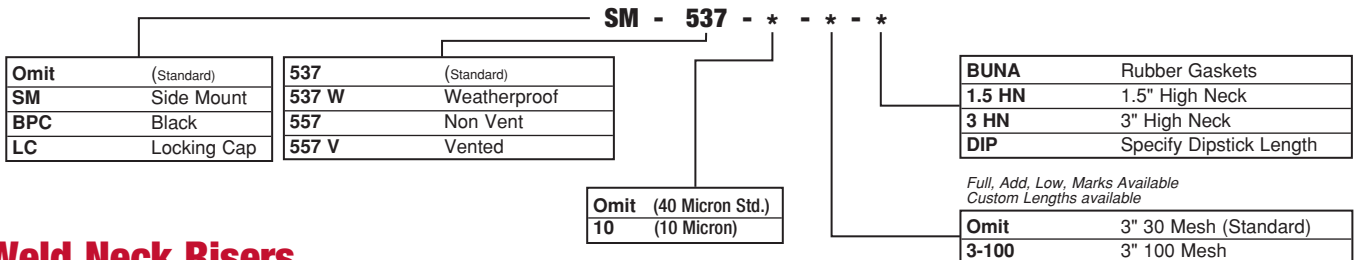


SM-537

Assembly Ordering Code



Assembly Ordering Code

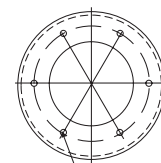


Weld Neck Risers

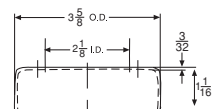
Model LWR

The "LWR" series Weld Neck Risers are designed to raise filler breather assemblies up to 1" above the surface of the tank top. This low cost riser eliminates costly repairs brought on by contamination and water being swept into the reservoir.

MODEL	MATERIAL	HEIGHT
LWR-1	Steel	1 1/16"
LWR-1-ALUM	Aluminum	1 1/16"
LWR-1-SS	Stainless	1 1/16"



6 HOLES EQUALLY SPACED ON A 2 7/8 BOLT CIRCLE





Sealed Emissions Controlled Caps & Necks

Model FC Cap & FN Series necks

- Meet S.A.E. J1114 evaporation emission standards
- Anti-splash self closing flap on fuel neck
- Tethered or self closing cap FC-1
- Tested to a positive 3.5 PSIG (24.5 KPA) or vacuum pressure of .1 PSIG (.7 KPA)
- No need to change the cutout openings in your fuel tank

Option

- Diesel version with open bottom available



FC-1 &
FN-270-FL

FN-3HN-FL

Weld Neck Models

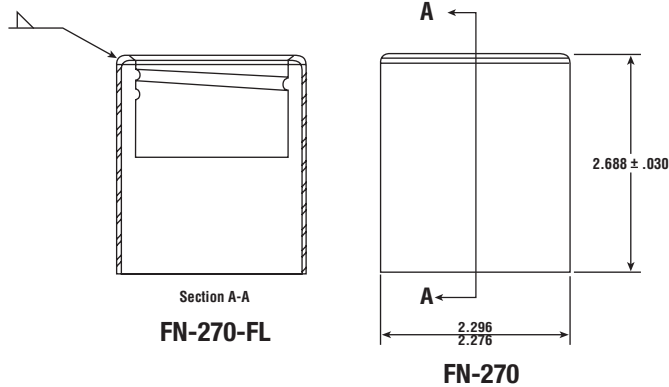
FN270

FN270-FL (Flapper)

Weld Neck Models

FN3HN

FN3HN-FL (Flapper)

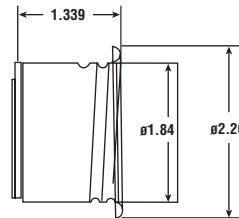


Section A-A
FN-270-FL

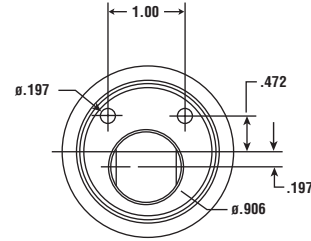
FN-270



Fuel Neck and
Flapper (Bottom)



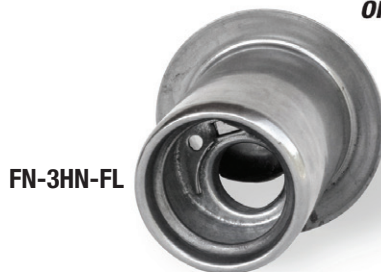
(FL) Fuel Insert



(FL) Flapper
Insert (Top)

“With the LENZ Sealed Emissions Controlled Caps & Necks there is no need to change the cutout openings in your fuel tank.”

**Call us today at 937-277-9364
or visit us online www.lenzinc.com**



FN-3HN-FL





Hydraulic Filler Necks & Caps

Lenz Hydraulic Filler Caps & Necks are fabricated of heavy gauge steel with an optional stainless steel screen. Caps are available in standard or lockable, non-vented or vented.

Hydraulic Fill Necks

HYD Series-Hydraulic Applications

- 16 gauge (.060) steel not plated
- Tube extension .12 wall thickness, 2.21 diameter
- Standard 3", 6" & 8" length tube extension
- Tube extension not plated / Safety chain standard

Options

- Stainless steel, aluminum available
- Angle tube cutoffs / lockable tab available
- Stainless steel screen std. 4.5" 100 mesh
- Overflow tube available
- Threaded & flanged connection available



LC-HYD-406
(Neck Only / Caps Ordered Separately)
Shown with LC10 Cap

LC-HYD-1.3-4.5
(Neck Only / Caps Ordered Separately)
Shown with LC-40XL Cap

Dimensional Detail

MODEL NUMBER	Optional Screen		Length				Wall
	A	B	C	D	E	F	
HYD-125	IN	N/A	N/A	1.25	N/A	2.2	0.12
	MM	N/A	N/A	32	N/A	53	3
HYD-270	IN	N/A	N/A	2.7	N/A	2.2	0.12
	MM	N/A	N/A	69	N/A	53	3
HYD-403	IN	1	4.5	3	1.2	2.2	0.12
	MM	25	114	76	30	53	3
HYD-406	IN	1	4.5	6	1.2	2.2	0.12
	MM	25	114	152	30	53	3
HYD-408	IN	1	4.5	8	1.2	2.2	0.12
	MM	25	114	204	30	53	3
HYD-4**	IN	1	4.5	N/A	1.2	2.2	0.12
	MM	25	114	N/A	30	53	3

3", 6" & 8" standard length. Specify length of neck; if screen is required, mark up drawing and fax for quotation.
*Aluminum and stainless steel available

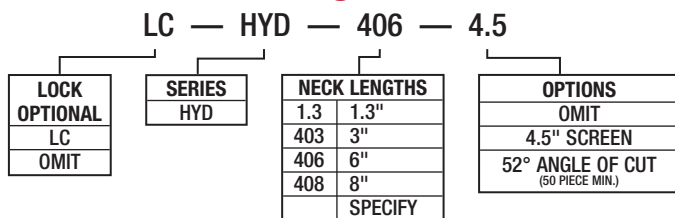


ex. HYD-403-4.5
(Neck Only / Caps Ordered Separately)
Shown with 5NV Cap

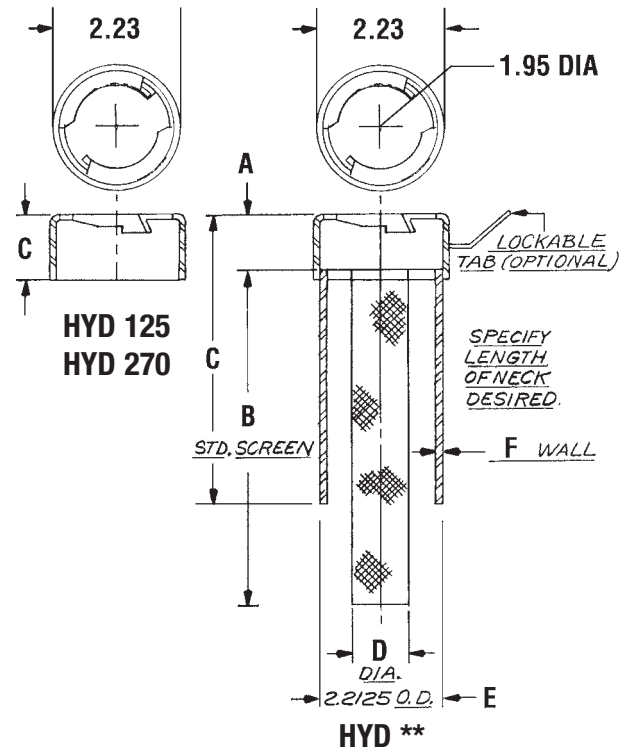


ex. HYD-403-4.5
(Neck Only / Caps Ordered Separately)
Shown with BPC-40XL Cap

Ordering Code



*Caps ordered separately see page 1b, 2b and 3b for cap only ordering options.
Replacement Fill Screen is HYD-4.5





Diesel Filler Necks & Caps

Lenz Fuel/Diesel Filler Caps & Necks are fabricated of heavy gauge steel with an optional stainless steel screen. Fuel Caps are available in standard or lockable, non-vented or vented – the vented Fuel Caps having a built-in diaphragm or deflector to reduce spillage in case of rollover.

Diesel Fill Necks

HDF Series-Diesel Fuel Applications

- 16 gauge (.060) steel
- Tube extension .12 wall thickness, 2.56 diameter
- Standard 3", 6" & 8" length tube extension
- Use Lenz 6V and 6VLC series vented caps
- Tube extension not plated
- Safety chain standard

Options

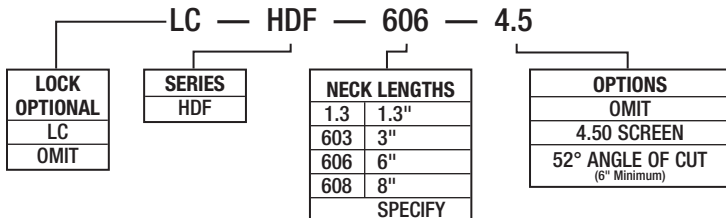
- Stainless steel, aluminum available
- Angle tube cutoffs / Lockable tab available
- Stainless steel screen std.. 4.5" 100 mesh
- Overflow tube available
- Threaded & flanged connection available
- Non vented 6NV, 6NV-LC

MODEL NUMBER		Screen		Length			Wall
		A	B	C	D	E	
HDF-1.3	IN	1.3"	4.5"		1.5"	2.6"	0.12"
	MM	37	114		38	66	3
HDF-603	IN	1.44"	4.5"	3"	1.5"	2.6"	0.12"
	MM	37	114	76	38	66	3
HDF-606	IN	1.44"	4.5"	6"	1.5"	2.6"	0.12"
	MM	37	114	152	38	66	3
HDF-608	IN	1.44"	4.5"	8"	1.5"	2.6"	0.12"
	MM	37	114	204	38	66	3
HDF-6**	IN	1.44"	4.5"		1.5"	2.6"	0.12"
	MM	37	114		38	66	3

3", 6" & 8" standard length. Specify length of neck; if screen is required, mark up drawing and fax for quotation. Replacement fill screw HDS-4.5

*Caps ordered separately see below page 6b for cap only ordering options. Replacement Fill Screen is HDS 4.5

Ordering Code

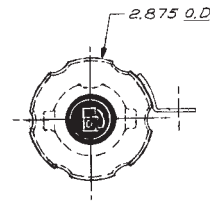


LC-HDF-606-4.5-52
(shown w/ optional 52° angle)
(Neck Only / Caps Ordered Separately)
Shown with LC-6V Cap

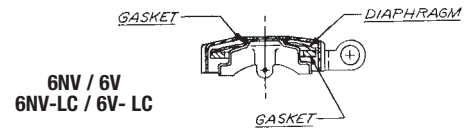
Note*
Tube extensions chrome plated only for photo.



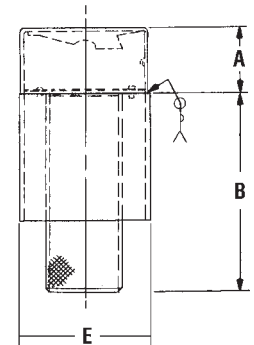
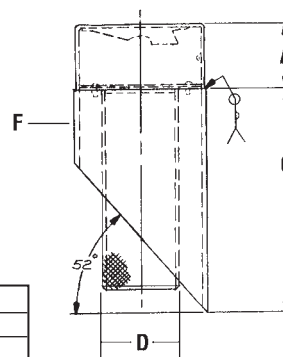
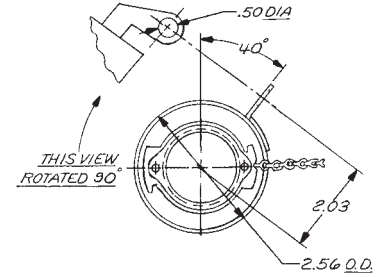
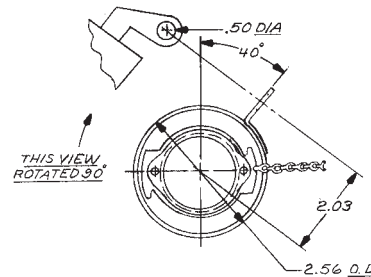
LC-HDF-606-4.5
(Neck Only / Caps Ordered Separately)
Shown with LC-6V Cap



Diesel Caps



Diesel Neck "HDF"



Cap Ordering Information

MODEL	CAP DIAMETER	ANTI SLOSH DEFLECTOR	VENT	LOCK TAB	CHAIN HOOK	DIPSTICK
6V	2.88	YES	(2).040 HOLES	NO	OPTIONAL	OPTIONAL
6V-LC	2.88	YES	(2).040 HOLES	YES	OPTIONAL	OPTIONAL
6NV	2.88	YES	NON-VENT	NO	OPTIONAL	OPTIONAL
6NV-LC	2.88	YES	NON-VENT	YES	OPTIONAL	OPTIONAL

*Dipstick option minimum 25 pcs.



6V-LC Cap only



Filler Breather Tank-Top Mount

Model ABS-40/ABS-30

PART	DESCRIPTION	GPM	CFM
ABS-40	40 Micron - Polyimide 66-Nylon	79	10
ABS-30	40 Micron - Polyimide 66-Nylon	26	4

Filler Breather for tank-top installation with breather and strainer basket. Filler Breather Cap has internal thread, and screws onto the main body, located in the tank.

This filler breather assembly contains a 40 Micron breather cap, a snap locking ring on main body, a threaded locking ring with "O" ring seal, and strainer basket.

Main body is placed in a pre-drilled hole 2.16" (55 mm) minimum, 2.18" (55.3) maximum in the top of reservoir (tank). The wall thickness must not exceed .3149" (8 mm) 10 gauge and not less than .0781" (2 mm). The threaded locking ring with "O" ring, secures and seals the main body to the tank.

Safety chain is standard, which connects the cap to the body, preventing loss of cap when removed.

With this filler breather assembly, drilling, tapping and aligning of mounting holes is not needed, reducing labor costs.

Dimensional Detail

MODEL		D	h2	d	h1	h4	F	h3	S
ABS-40	IN	3.5	3.1	1.5	2.2	0.8	2.2	3.5	.1-3"
	MM	88	80	38	55	21	55	88	2-8mm
ABS-30	IN	2.8	3.1	1.5	1.9		2.2	3.5	.1-3"
	MM	70	80	38	47		55	88	2-8mm

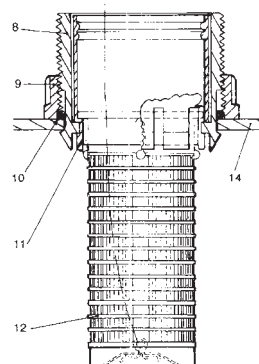
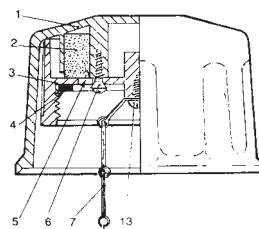
Standard "O" Ring 55 I.D. x 3 mm Cross Section



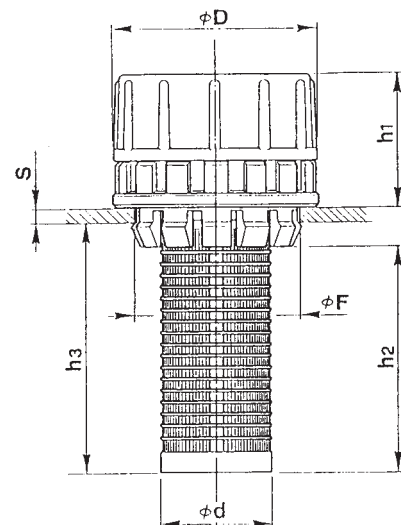
ABS-40



ABS-30



ABS-40



ABS-30



"The Lenz filler breather assembly contains a 40 Micron breather cap, a snap locking ring on main body, a threaded locking ring with "O" ring seal, and strainer basket to simplify installation."

Call us today at 937-277-9364
or visit us online www.lenzinc.com



LGB Air Breathers

Threaded / Bayonet Flange

Model LGB

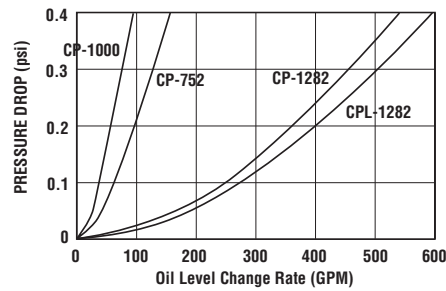
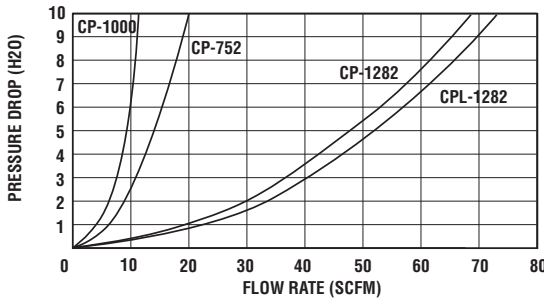
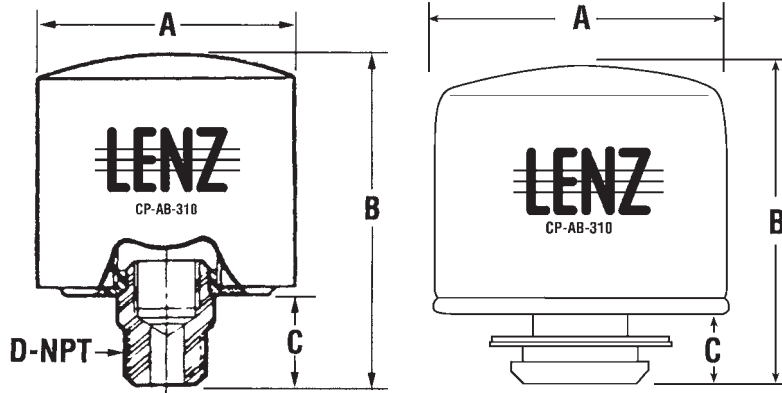
- White metal filter canister
- Zinc plated steel adapter
- Air flow to 200 CFM (1125 GPM)
- Compatible with most fluids
- Temperature to 250° F (121° C)
- 1/2", 3/4" & 1" NPT Threads
(Optional threads available; Consult Factory)

Options:

- 10 micron glass media
- 10 or 25 cellulose media



*Comes with flange, gasket, screen & mounting screws



Dimensional Detail

TANK BREATHER ADAPTER	LENGTH C	THREAD D	ELEMENT SERIES	A	B	GPM	CFM
LABA-8-8	1.0	1/2" NPT	CP10***	3.0	4.4	60	8.0
LABA-8	1.5	1/2" NPT	CP-752-**CPL-752	3.8	7.1	97/104	13/14
LABA-12-16	1.2	3/4" NPT	CP-AB-310	3.7	4.2	97/104	13/14
B12	1.0		CP-AB-310	3.7	4.0	97/104	13/14
LABA-12	1.5	3/4" NPT	CP-752-**	3.8	7.1	97/104	13/14
LABA-16	1.5	1" NPT	CP-752-**	3.8	7.1	97/115	13/15
LABA-20	1.5	1 1/4" NPT	CP-1282-**	4.8	9.4	336/374	45/50

Ordering Code

LGB — 12 — 10

LGB BREATHERS	PORT SIZE	ELEMENT SERIES	MICRONS
	8 1/2" NPT	CP-752	3
	8-8 1/2" NPT	CP-1000	10
	12 3/4" NPT	CP-752	10
	12-16 1" NPT	CP-AB-310	25
	16 1" NPT	CP-752	25
	20 1 1/4" NPT	CP-1282	10SYN
	B BAYONET	CP-AB-310	10WR



Filler Breather Mini Cap Filler Strainer Breather

Model FCS-M

- Zinc plated steel cap
- 30 mesh basket
- 3¹⁰/₃₂" self tapping screws for flange mount
- Cork Neoprene Gaskets
- Air flow to 10 CFM (30M /MIN)
- For use with petroleum based fluids, high water glycols and water/oil emulsions

Options

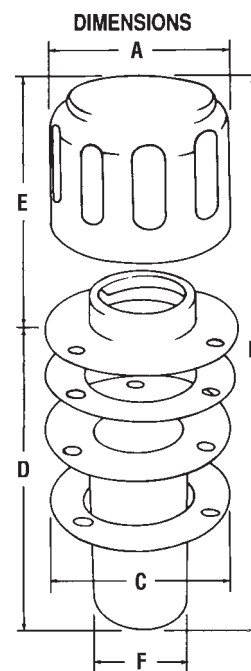
- 10 or 40 micron foam elements
- 1.156 dia.hole w/(3) .177 dia. holes equally spaced on a 1.610 dia. B.C.

Mounting Information

- 1.156 dia. hole w/(3) .177 dia holes equally spaced on a 1.610 dia. B.C.



FCS-M



Dimensional Detail

MODEL	MICRON RATING	DISPLACEMENT GPM	AIRFLOW CFM		A	B	C	D	E	F	WEIGHT LB/KG
FCS-M	40	71	10	IN	1.9	4.0	2	2.6	1.4	1.1	1.5
				MM	48	101	52	66	35	27	0.7
FCS-10M	10	36	5	IN	1.9	4.0	2	2.6	1.4	1.1	1.8
				MM	48	101	52	66	35	27	0.8

Super Filler Cap Assembly

Model FCS-1303

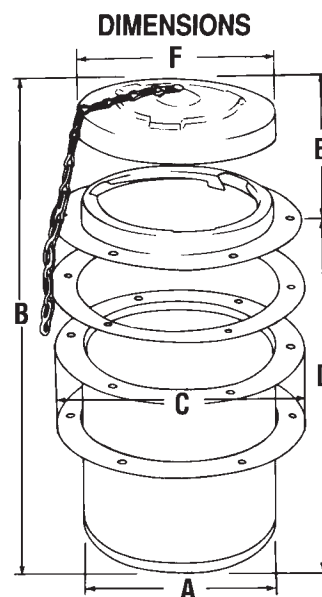
- Plated steel cap (non-vented)
- 6-8³²" self tapping screws for flange mount
- Cork gaskets
- 4¹⁵/₁₆" (125 mm) diameter bolt circle
- For use with petroleum based fluids, high water glycols and water/oil emulsions

Options

- 24 or 70 mesh stainless screens
- Vented cap (0.1285 Hole)



FCS-1303-70
FCS-1303-24



Dimensional Detail

Model No.	MESH		A	B	C	D	E	F
FCS-1303-70	70	IN	4.4	5.1	5.6	4	1.1	4.4
		MM	112	130	142	102	28	112
FCS-1303-24	24	IN	4.4	5.1	5.6	4	1.1	4.4
		MM	112	130	142	102	28	112

Super Filler Weld Neck

Model FCS-1303-150

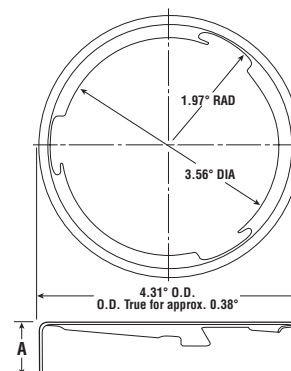
- Optional 1.5" high neck
- 18 Gauge Plain Steel



FCS-1303-1.5HN



FCS-1303-150





Breather Filter-Threaded Metal Assemblies

Breather Filter

Model BF

These units act as ventilators to provide a free flow of clean, fresh air into hydraulic fluid, fuel, oil, chemical and coolant tanks or reservoirs. They compensate for changes in fluid level, temperature and altitude . . . provide positive protection for airborne contamination for tanks, pumps, valves, cylinders and other components. Large oil resistant filter elements filter dirt and dust particles as small as 10 Microns (40 micron standard). Cover removes for easy cleaning.
 BF-4 & BF-6 Zinc plated. BF-8, BF-12 Nickel plated & BF-16 Nickel-chrome.

10 MICRON OPTION: EXAMPLE BF-6-10M

Dimensional Detail

MODEL	MICRON	PIPE SIZE	AIR FLOW		A	B	C	D
BF-4	10, 40	1/4"	4	IN	1.4"	1.9"	1"	0.7"
				MM	35"	47	25	18
BF-6	10, 40	3/8", 9/16"-18	4	IN	1.4"	1.9"	1"	0.7"
				MM	35	47	25	18
BF-8	10, 40	1/2"	35	IN	2.6"	2.9"	1.4"	0.9"
				MM	67	74	36	24
BF-12	10, 40	3/4"	40	IN	2.6"	3"	1.4"	1.1"
				MM	67	76	36	27
BF-12-16	10, 40	3/4"	40	IN	3"	3.3"	1.7"	1.4"
				MM	76	83	43	36
BF-16	10, 40	1"	75	IN	3"	3.3"	1.7"	1.4"
				MM	76	83	43	36

Ordering Code

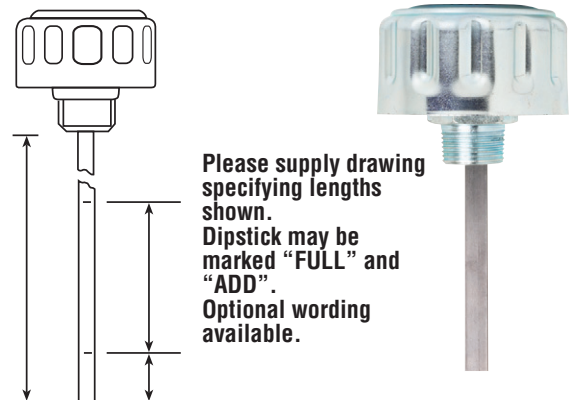
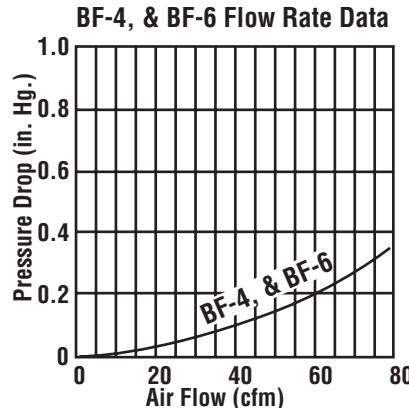
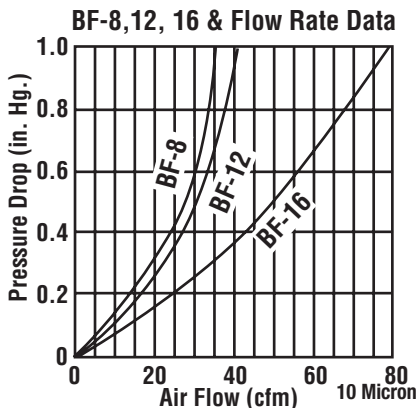
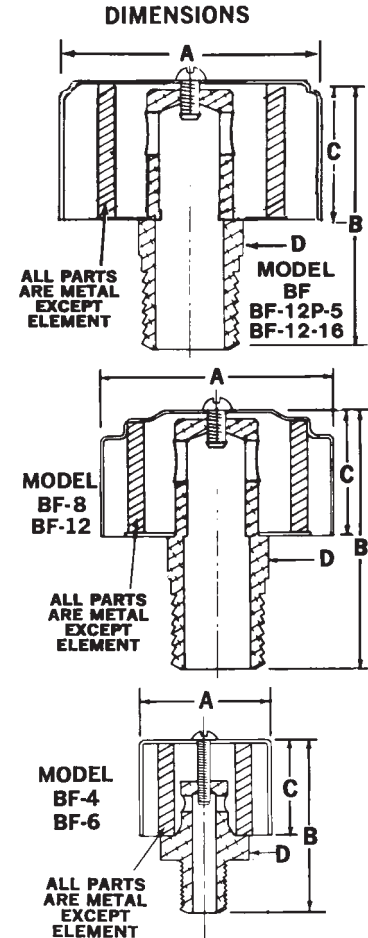
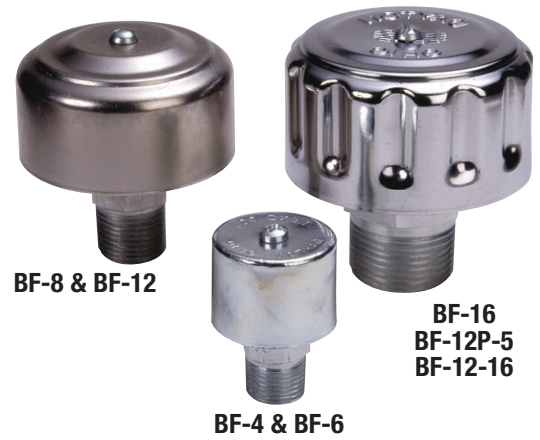
* — BF — 6 — *

OMIT	SERIES	SIZE	OPTIONS
BPC 1616	BF 1/2", 3/4, 1/2"	4	DIP 3/4", 1"
ISO BF-16, 1216	BFA - S.A.E. #6	6	P5 3/4", 1"
		8	P10 3/4", 1"
		12	10M 1/4", 3/8", 1/2", 3/4", 1"
		12-16	
		16	

Pressurized Breather Filter

BF-1216-P5

This device is similar to a conventional breather, but it incorporates a relief valve set at 5 PSI and a vacuum breaker. When the fluid level first falls, air enters the reservoir through the vacuum breaker and filter. When the level rises, air is compressed rather than being expelled. Thereafter, changing fluid levels are accommodated by the changing size of the air bubble in the reservoir, instead of by breathing to atmosphere. Pressurized breathers can reduce breathing by as much as 90% to 95%, increasing the life of the breather filter by a factor of 10. They are recommended for systems that are expected to operate in extremely dusty environments and mobile applications.



Please supply drawing specifying lengths shown. Dipstick may be marked "FULL" and "ADD". Optional wording available.



Breather Filter-Threaded

LMB/BF Series

- Steel trivalent zinc plated
- Air flow to 30 CFM
- Oil transfer rate to 190 GPM
- Operating temperature (-22F TO 212 F)
- Compatible with petroleum based fluids

Options:

- 10 or 40 Micron
- 1/4" thru 1" NPT port size
- Dipstick available on some models
- Anti splash available on some models
- Weatherproof cap options



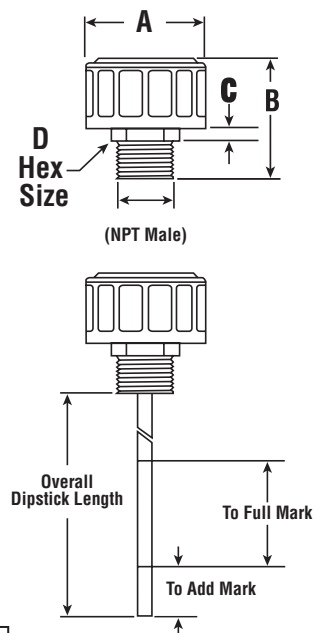
LMB-06



LMB-04

Dimensional Detail

MODEL	PORT	MICRON	AIR FLOW CFM	OIL TRANSFER RATE GPM		A	B	C	HEX D (dia)
LMB-04	1/4"	40	10	72	IN	1.85"	2.17"	0.28"	0.75"
		10	5	36	MM	47	55	7	19
LMB-06	3/8"	40	10	72	IN	1.85"	2.17"	0.28"	0.75"
		10	5	36	MM	47	55	7	19
BF-0816	1/2"	40	12	105	IN	3.15"	2.60"	0.31"	1.26"
		10	25	190	MM	80	66	8	32
BF-1216	3/4"	40	26.4	190	IN	3.15"	2.60"	0.31"	1.30"
		10	15	110	MM	80	66	8	33
BF-1616	1"	40	30	190	IN	3.15"	2.72"	0.31"	1.50"
		10	15	110	MM	80	69	8	38



Ordering Code

BPC — BF — 12 — 10M

OMIT	NONE
BPC	1216, 1616
ISO	BF-16, 1216, 0816
AS	BF-1616, 1216, 0816

*Anti-splash not available NY-4

SERIES
LMB
BF

PORT SIZE
04 1/4" (LMB)
06 3/8" (LMB)
08 1/2" (BF)
12 3/4" (BF)
16 1" (BF)

OPTIONS
10M 10 MICRONS
DIP 3/4", 1"
Specify length in Inches
P5 BF-1216

Large Capacity Threaded Breathers

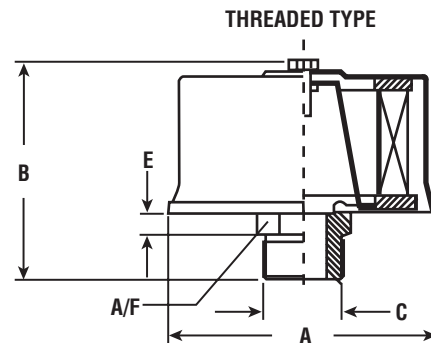
BF Series

- Air flows to 165 CFM
- Oil transfer rates to 1057 GPM
- Maximum temperature 225 F
- Compatible with petroleum and mineral Based fluids
- Plastic Housing
- 10 Micron filtration, elements are replaceable



Dimensional Detail

MODEL	MODEL	DISPLACEMENT	C	A	B	E	A/F	WEIGHT LBS/KGS
BF-24-10M	LBE-24-10M	265 GPM	1 1/2" NPT	4.3	5.4	0.5	2.2	0.88
		1000 LPM		110	138	12	55	0.4
BF-32-10M	LBE-32-10M	530 GPM	2" NPT	5.7	5.7	0.6	2.6	1.21
		2000 LPM		145	145	15	65	0.55
BF-40-10M	LBE-40-10M	1057 GPM	2 1/2" NPT	7.3	7.7	0.6	3.1	2.86
		4000 LPM		185	195	15	80	1.3





NY

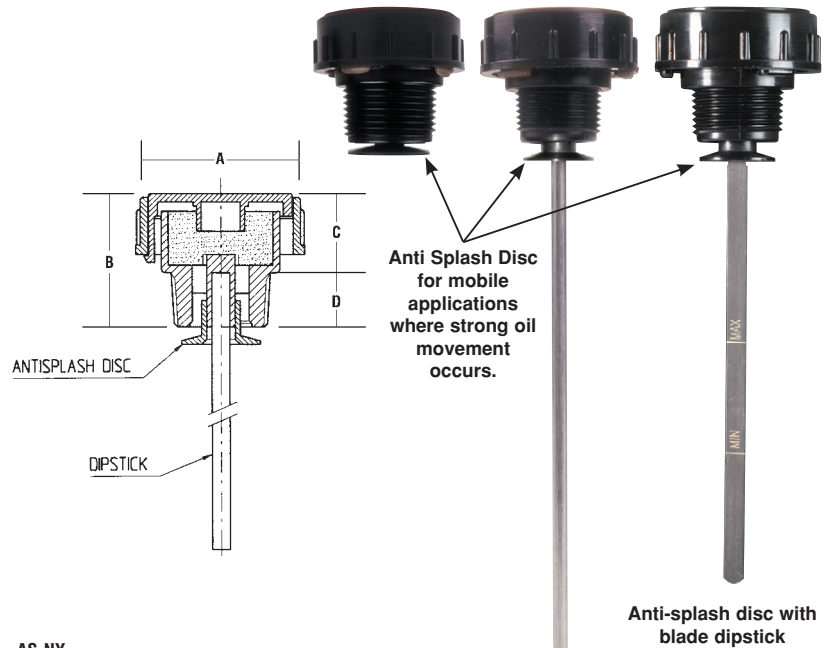
Nylon Filler Breathers

Specifications

- 1/4" to 1 1/4" NPT Threaded Filter Filler Breathers
- Thermoplastic Polyimide 66 Material
- Maximum Operating Temperature 212°F (100°C)
- Compatible with Petroleum Based Fluids, Gasoline, Fuel, and variety of Solvents
- Not compatible with Alcohol
- 10 or 40 micron polyurethane elements
- Buna Seals
- Anti splash option available
- NPT Threads
- Maximum Pressure 44 PSI (3 Bar)
- Optional steel dipstick available up to 7.9 inches (200 mm) and can be marked upon request.

Dimensional Detail

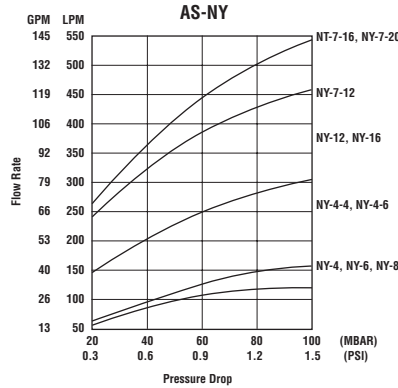
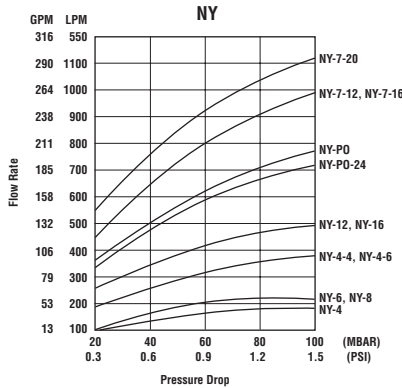
MODEL	PORT SIZE		A	B	C	D
NY-4	1/4"	IN	1.2"	1.4"	0.8"	0.6"
		MM	30	35	21	14
NY-4-4	1/4"	IN	1.6"	1.3"	0.8"	0.5"
		MM	41	33	21	12
NY-6	3/8"	IN	1.2"	1.4"	0.8"	0.6"
		MM	30	36	21	15
NY-4-6	3/8"	IN	1.6"	1.3"	0.8"	0.5"
		MM	41	34	21	13
NY-8	1/2"	IN	1.6"	1.4"	0.8"	0.6"
		MM	41	36	21	15
NY-12	3/4"	IN	1.8"	1.5"	0.9"	0.6"
		MM	46	38	22	16
NY-7-12	3/4"	IN	2.8"	2"	1.4"	0.7"
		MM	70	52	35	17
NY-16	1"	IN	1.8"	1.5"	0.9"	0.6"
		MM	46	38	22	16
NY-7-16	1"	IN	2.8"	2.1"	1.4"	0.7"
		MM	70	54	35	19
NY-7-20	1 1/4"	IN	2.8"	2.2"	1.4"	0.8"
		MM	70	55	35	20



Anti Splash Disc for mobile applications where strong oil movement occurs.

Anti-splash disc with blade dipstick

Anti-splash disc with round dipstick



Ordering Code

AS — NY — 4 — 6 — DIP**

<table border="1"> <tr><th colspan="2">OPTIONS</th></tr> <tr><td>OMIT</td><td>NONE</td></tr> <tr><td>*AS</td><td>ANTI-SPLASH</td></tr> </table> <p><i>*Anti-splash not available NY-4</i></p>	OPTIONS		OMIT	NONE	*AS	ANTI-SPLASH	<table border="1"> <tr><th colspan="2">SERIES</th></tr> <tr><td>NY</td><td>NPT</td></tr> </table>	SERIES		NY	NPT	<table border="1"> <tr><th colspan="2">DIAMETER- PORT SIZE</th></tr> <tr><td>OMIT</td><td>1.2 INCHES 1/4", 3/8", 1/2"</td></tr> <tr><td>4</td><td>1.6 INCHES 1/4", 3/8", 1/2"</td></tr> <tr><td>OMIT</td><td>1.8 INCHES 3/4, 1"</td></tr> <tr><td>7</td><td>2.8 INCHES 3/4", 1", 1 1/4"</td></tr> </table>	DIAMETER- PORT SIZE		OMIT	1.2 INCHES 1/4", 3/8", 1/2"	4	1.6 INCHES 1/4", 3/8", 1/2"	OMIT	1.8 INCHES 3/4, 1"	7	2.8 INCHES 3/4", 1", 1 1/4"	<table border="1"> <tr><th colspan="2">THREAD</th></tr> <tr><td>4</td><td>1/4"</td></tr> <tr><td>6</td><td>3/8"</td></tr> <tr><td>8</td><td>1/2"</td></tr> <tr><td>12</td><td>3/4"</td></tr> <tr><td>16</td><td>1"</td></tr> <tr><td>20</td><td>1 1/4"</td></tr> </table>	THREAD		4	1/4"	6	3/8"	8	1/2"	12	3/4"	16	1"	20	1 1/4"	<table border="1"> <tr><th colspan="2">OPTIONS</th></tr> <tr><td>10M</td><td>10 MICRON</td></tr> <tr><td>DIP**</td><td>DIPSTICK</td></tr> <tr><td colspan="2">SPECIFY INCHES UP TO 24 INCHES</td></tr> <tr><td>P5</td><td>DOUBLE VALVE</td></tr> <tr><td>SB</td><td>SINTERED BRONZE</td></tr> </table>	OPTIONS		10M	10 MICRON	DIP**	DIPSTICK	SPECIFY INCHES UP TO 24 INCHES		P5	DOUBLE VALVE	SB	SINTERED BRONZE
OPTIONS																																																		
OMIT	NONE																																																	
*AS	ANTI-SPLASH																																																	
SERIES																																																		
NY	NPT																																																	
DIAMETER- PORT SIZE																																																		
OMIT	1.2 INCHES 1/4", 3/8", 1/2"																																																	
4	1.6 INCHES 1/4", 3/8", 1/2"																																																	
OMIT	1.8 INCHES 3/4, 1"																																																	
7	2.8 INCHES 3/4", 1", 1 1/4"																																																	
THREAD																																																		
4	1/4"																																																	
6	3/8"																																																	
8	1/2"																																																	
12	3/4"																																																	
16	1"																																																	
20	1 1/4"																																																	
OPTIONS																																																		
10M	10 MICRON																																																	
DIP**	DIPSTICK																																																	
SPECIFY INCHES UP TO 24 INCHES																																																		
P5	DOUBLE VALVE																																																	
SB	SINTERED BRONZE																																																	



NY-PF

Nylon Push Fit Breathers

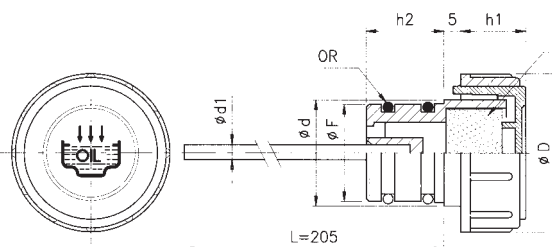
Specifications

- .7 in to 1.2 in. (18 to 30 mm) Push Fit Filter Filler Breathers
- Push fit breather with easy grip vertical ribs fit snugly into pre-drilled hole and seals by "O"-Ring hole tolerance .003 in. (0.1mm)
- Thermoplastic Polyimide 66 Material
- Maximum Operating Temperature 212°F (100°C)
- Compatible with Petroleum Based Fluids, Gasoline, Fuel, and variety of Solvents
- Not compatible with Alcohol
- 10 or 40 micron polyurethane elements
- Buna Seals
- Anti splash option available
- Maximum Pressure 44 PSI (3 Bar)
- Optional steel plated dipstick available up to 7.9 inches (200 mm) and can be marked with min & max notches upon request



Dimensional Detail

MODEL NO.		F	D	d	hi	di	hz
NYPF-18	IN	0.71"	1.42"	0.91"	0.67"	0.2"	0.79"
	MM	18	36	23	17	5	20
NYPF-20	IN	0.79"	1.42"	0.94"	0.67"	0.16"	0.75"
	MM	20	36	24	17	4	19
NYPF-26	IN	1.02"	1.61"	1.1"	0.67"	0.16"	0.83"
	MM	26	41	28	17	4	21
NYPF-30	IN	1.18"	1.85"	1.3"	0.67"	0.16"	0.83"
	MM	30	47	33	17	4	21
NYPFV-18	IN	0.71"	1.42"	0.91"	0.67"	0.2"	0.79"
	MM	18	36	23	17	5	20
NYPFV-20	IN	0.79"	1.42"	0.94"	0.67"	0.16"	0.75"
	MM	20	36	24	17	4	19
NYPFV-26	IN	1.02"	1.61"	1.1"	0.67"	0.16"	0.83"
	MM	26	41	28	17	4	21



ADD AS - As prefix for Anti-splash
ADD DIP Suffix for Dipstick

LDP

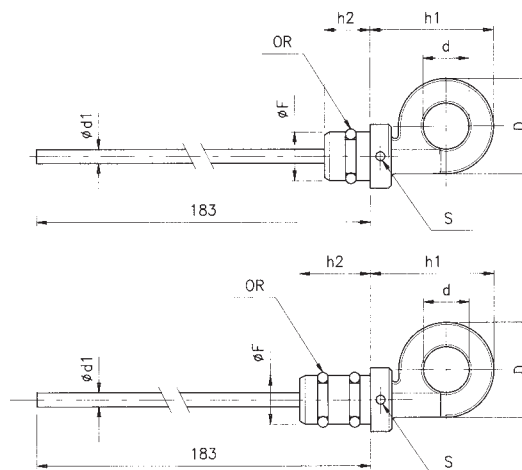
Eye Handle Dipsticks

- Eye handle steel plated dipsticks
- Handle material Thermoplastic Polyimide 66
- Starting chamfer is 45° degrees with hole tolerance .003 in. (.01 mm)
- Maximum Operating Temperature 212° F (100° C)
- Compatible with Petroleum Based Fluids, Gasoline, Fuel, and variety of Solvents
- Not compatible with Alcohol
- Optional breather hole available
- Buna Seals (one or two seals)
- Maximum length is 7.9 in. (200 mm)
- Maximum Pressure 44 PSI (3 Bar)
- Steel plated dipstick available up to 7.9 inches (200 mm) and can be marked with min & max notches upon request



Dimensional Detail

MODEL NO		F	D	d	H2	H1
LDP-1-14	IN	0.55"	1.06"	0.51"	0.51"	1.34"
	MM	14	27	13	13	34
LDP-1-18	IN	0.71"	1.26"	0.55"	0.67"	1.77"
	MM	18	32	14	17	45
LDP-1-20	IN	0.79"	1.26"	0.55"	0.71"	1.75"
	MM	20	32	14	18	44.5
LDP-2-12	IN	0.47"	1.18"	0.55"	0.79"	1.42"
	MM	12	30	14	20	36
LDP-2-14	IN	0.55"	1.06"	0.51"	0.79"	1.34"
	MM	14	27	13	20	34
LDP-2-18	IN	0.71"	1.3"	0.55"	0.83"	1.73"
	MM	18	33	14	21	44
LDP-2-20	IN	0.79"	1.38"	0.63"	0.83"	1.81"
	MM	20	35	16	21	46



S = Breather hole

ADD V SUFFIX FOR BREATHER HOLE

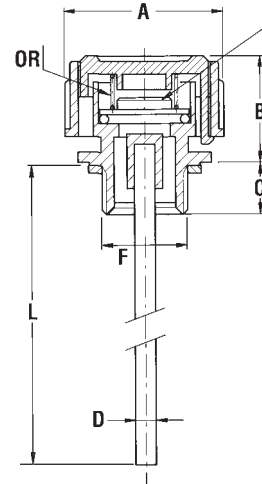


NY-LVB

Nylon Vent Breathers

Specifications

- 1/4", 3/8", 1/2" NPT Vent Filler Breathers
- Valve opens when pressure exceeds 4 PSI (.25 Bar) avoids loss of oil and valve allows excess pressure to escape
- Thermoplastic Polyamide 66 material marked with check valve symbol
- Maximum operating temperature 212° F (100° C)
- Compatible with petroleum based fluids, gasoline, Fuel, and variety of solvents
- Not compatible with alcohol
- Buna Seals
- Anti splash option available
- Maximum Pressure 44 PSI (3 Bar)
- Optional steel dipstick available up to 7.9 inches (200 mm) and can be marked upon request



Dimensional Detail

MODEL NO.		F	OR	L	A	B	C	D
NY-LVB-4	IN	1/4"	4 PSI	7.7"	1.2"	0.8"	0.5"	0.2"
	MM		0.3 Bar	195	30	21	12	4
NY-LVB-6	IN	3/8"	4 PSI	7.7"	1.2"	0.8"	0.5"	0.2"
	MM		0.3 Bar	195	30	21	12	4
NY-LVB-8	IN	1/2"	4 PSI	7.7"	1.2"	0.8"	0.6"	0.2"
	MM		0.3 Bar	195	30	21	14	4

ADD AS - As prefix for Anti-splash
ADD DIP Suffix for Dipstick

NYPO-24

Push on Breathers

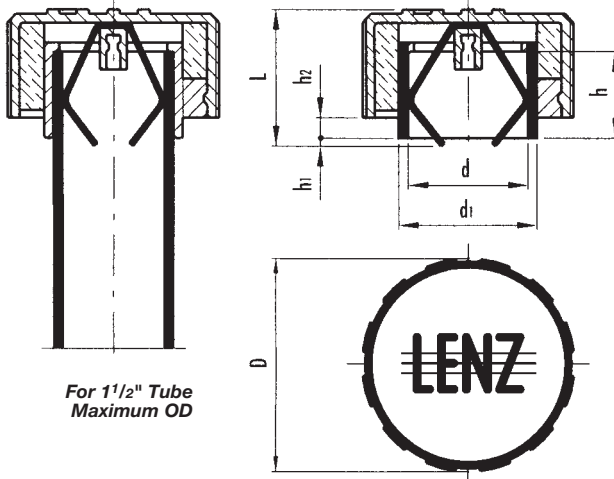
Specifications

- Thermoplastic Polyamide 66 material
- Maximum operating temperature 212° (100 C)
- Compatible with petroleum based fluids, gasoline, grease
- Spring steel plated clip
- 10 or 40 micron polyurethane elements
- Maximum tube outside diameter 1.5" or 39 MM
- Optional steel dipstick available



Dimensional Detail

MODEL NO.		d	h	D	L	d1	h1	h2	LBS/GR
NYPO-24	IN	1.5"	1.1"	2.8"	1.9"	1.8"	0.1"	0.3"	0.2"
	MM	39	28	70	48	45	3	7	67



For 1 1/2" Tube
Maximum OD

Optional Dipstick



NY-B

Nylon Bayonet Filler Breathers

Specifications

- Thermoplastic Polyamide 66 Material
- Maximum Operating Temperature 212°F (100°C)
- Compatible with Petroleum Based Fluids, Gasoline, Fuel, Variety of solvents
- Buna Tab seals
- Cork impregnated tank gaskets
- 10 or 40 micron polyurethane elements

Options

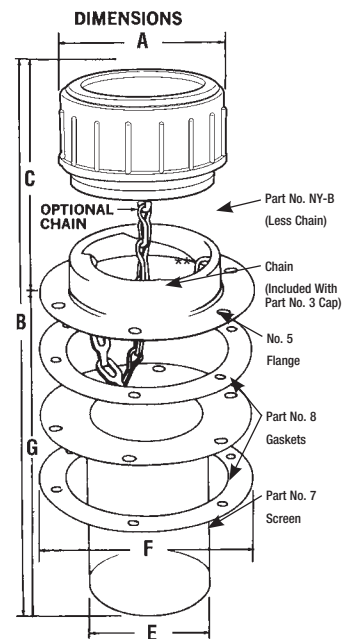
- Pressurized Double valve 5 PSI
- Blade dipsticks
- Anti splash options



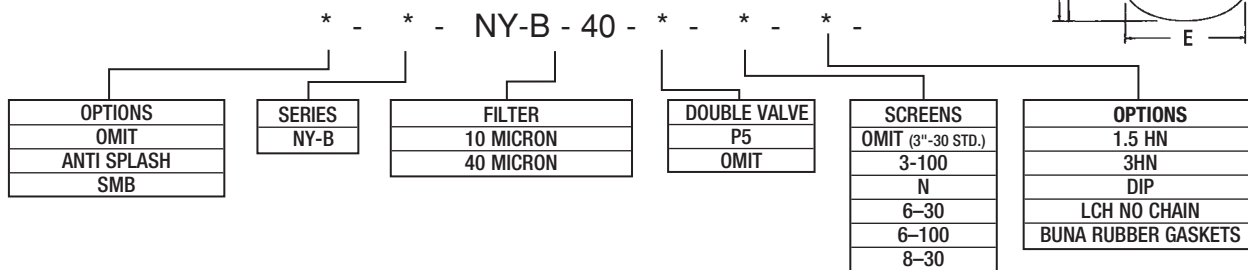
HYD-125-Alum



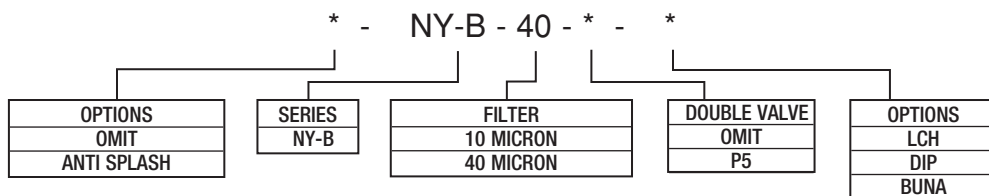
MODEL NO.	MICRON	GPM	AIR FLOW		A	B	C	D	E	F
NY-B	10, 40	200	30	IN	2.75"	5.3"	3.2"	3"	2.3"	1.9"
AS-NY-B	10, 40	140	21	MM	70	135	81	76	58	48



Ordering Code



Cap Only Ordering Code





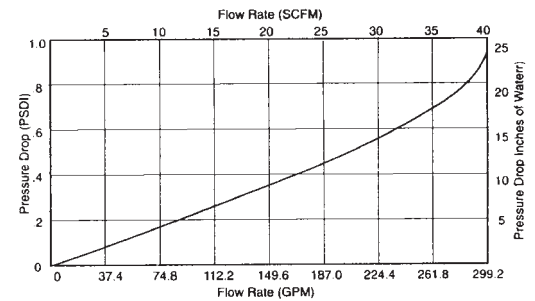
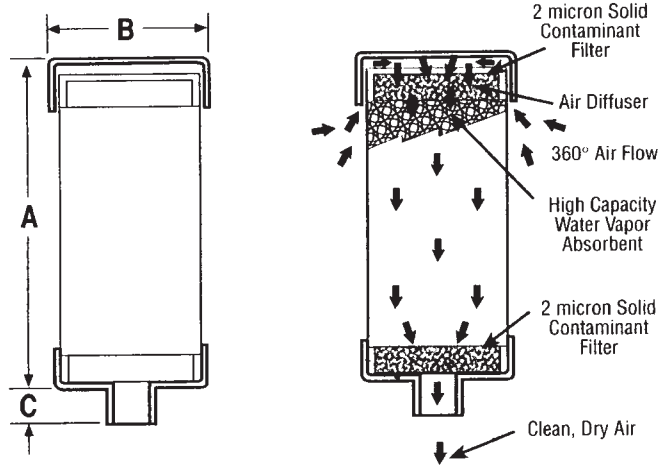
Desiccant Breathers

Model DB

- Construction: ABS plastic & impact-modified acrylic
- Removes corrosive water vapor
- Operating temp. range: -20° F to +200° F (-28° C to +93° C)
- Four standard sizes (3" to 10")
- Bi-directional air flow
- Silica gel turns from gold to green when maximum absorption is reached
- Dual filter system with anti-static guard
- Solid contaminant filtration surface area 20.6 in² (133 cm²)
- Silica gel absorbs up to 40% of its weight in water
- Resistant to alkalis, hydrocarbons, non-oxidizing acids, salt water, and synthetic oils

Option

- Activated charcoal media (consult factory)
- 5 PSI Maximum Operating Pressure



Dimensional Detail

MODEL NO.	BREATHER CONNECTOR	MICRON RATING	CAPACITIES		MAX. H2O CAPACITY		A		B		C	
			CFM	GPM	FL. OZ	CUP	IN.	CM.	IN.	CM.	IN.	CM.
DB-03	1 5/16" O.D. Tube	2	35	262	3.1	.4	3.5"	9.0	5"	12.8	1.25"	3.2
DB-05	1 5/16" O.D. Tube	2	35	262	6.2	.8	5.0"	12.8	5"	12.8	1.25"	3.2
DB-08	1 5/16" O.D. Tube	2	35	262	13.9	1.7	8.0"	20.5	5"	12.8	1.25"	3.2
DB-10	2" NPT	2	100	750	18.5	2.3	10.0"	25.4	5"	12.8	1.25"	3.2

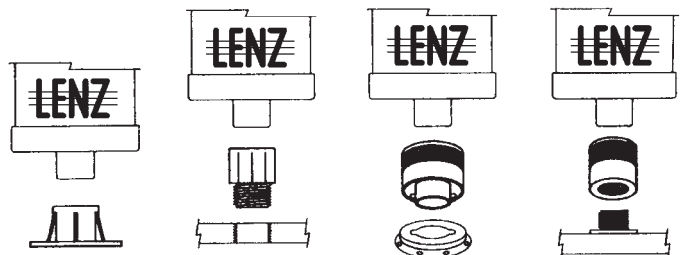
Note: Connector for sizes 3, 5 and 8 1 5/16" O.D. tube is designed to interface fit with an adapter on new installations – adapters need not be replaced

DB-FA
Flange Adapter

DB-R1, R2, R3
Threaded Adapter

DB-BA
Bayonet Adapter

DB-C1, C2
Spin-on Adapter



MODEL NO.	DESCRIPTION
DB-BA	Bayonet Adapter
DB-C1	1"-12 UNF Female to Female Coupling
DB-C2	1 1/2"-16 UNF Female to Female Coupling
DB-FA	Flange Adapter
DB-R1	1" NPT Pipe Thread Reducer
DB-R2	3/4" NPT Pipe Thread Reducer
DB-R3	1/2" NPT Pipe Thread Reducer

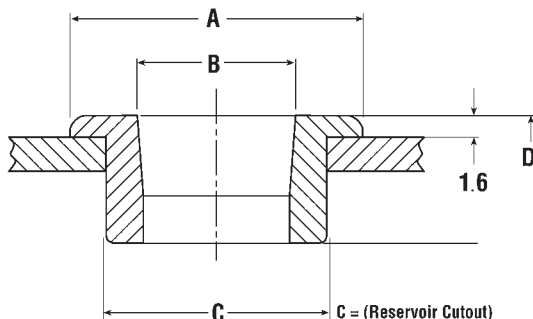
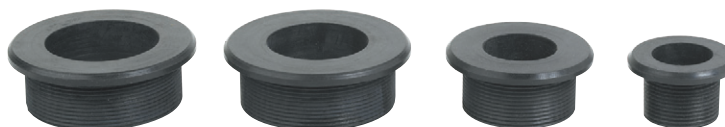


Rubber Bushings

LRB Series

- Nitrile Rubber
- 1/8" to 2" pipe and tube diameters
- Compatible with mineral & petroleum based fluids
- Available in packages of 10

A comprehensive range of rubber bushings designed to reduce vibration noise and seal pipes and tubes in the reservoir top plate. Do not use below the oil level.



Dimensional Detail

MODEL	B PIPE	B TUBE	B MM	A INS	MM	C INS	MM	D INS	MM	WEIGHT LBS	KG
LRB-2801		1/4"	6	1.2	30	0.7	18.3	0.7	18	0.02	0.007
LRB-2802			8	1.2	30	0.7	18.3	0.7	18	0.02	0.007
LRB-2803		3/8"		1.2	30	0.7	18.3	0.7	18	0.02	0.007
LRB-2804	1/8"		10	1.2	30	0.7	18.3	0.7	18	0.01	0.006
LRB-2805		1/2"	12	1.2	30	0.7	18.3	0.7	18	0.01	0.006
LRB-2806	1/4"		14	1.6	40	1.1	28.5	0.9	24	0.4	0.18
LRB-2807			15	1.6	40	1.1	28.5	0.9	24	0.37	0.17
LRB-2808		5/8"	16	1.6	40	1.1	28.5	0.9	24	0.35	0.16
LRB-2809	3/8"			1.6	40	1.1	28.5	0.9	24	0.35	0.16
LRB-2810			18	1.6	40	1.1	28.5	0.9	24	0.35	0.16
LRB-2811		3/4"		1.6	40	1.1	28.5	0.9	24	0.33	0.15
LRB-2812			20	1.6	40	1.1	28.5	0.9	24	0.29	0.13
LRB-2813	1/2"			1.6	40	1.1	28.5	0.9	24	0.26	0.12
LRB-2814		7/8"	22	1.6	40	1.1	28.5	0.9	24	0.26	0.12
LRB-2815			25	2.2	55	1.7	42.5	0.9	24	0.71	0.32
LRB-2816	3/4"			2.2	55	1.7	42.5	0.9	24	0.66	0.3
LRB-2817			28	2.2	55	1.7	42.5	0.9	24	0.64	0.29
LRB-2818			30	2.2	55	1.7	42.5	0.9	24	0.57	0.26
LRB-2819		1 1/4"		2.2	55	1.7	42.5	0.9	24	0.53	0.24
LRB-2820	1"			2.2	55	1.7	42.5	0.9	24	0.46	0.21
LRB-2821			35	2.2	55	1.7	42.5	0.9	24	0.4	0.18
LRB-2822		1 1/2"	38	2.8	70	2.3	58.5	0.9	24	1.32	0.6
LRB-2823			42	2.8	70	2.3	58.5	0.9	24	0.97	0.44
LRB-2824	1 1/4"			2.8	70	2.3	58.5	0.9	24	0.95	0.43
LRB-2825	1 1/2"			2.8	70	2.3	58.5	0.9	24	0.71	0.32
LRB-2826		2"	50	2.8	70	2.3	58.5	0.9	24	0.6	0.27
LRB-2827	2"			2.8	70	2.3	58.5	0.9	24	0.68	0.31



"We have redesigned our Web-Site to better serve our customers and make ordering the products you need everyday more convenient."

Visit us online @www.lenzinc.com today and see just how easy ordering your products can be.



Tank Clean-out Covers

Model TC

MODEL		A	B	C	D	GASKET
TC-6	IN	6"	5"	0.4"	14 GA.	TCG-6
	MM	152	127	10		
TC-10	IN	10"	8"	1.75"	7 GA.	TCG-10
	MM	254	203	44		
TC-12	IN	12"	10"	1.75"	7 GA.	TCG-12
	MM	305	254	44		
TC-14	IN	14"	12"	1.75"	7 GA.	TCG-14
	MM	356	305	44		
TC-16	IN	16"	14"	1.75"	7 GA.	TCG-16
	MM	406	356	44		
TC-18	IN	18"	16"	2"	7 GA.	TCG-18
	MM	457	406	51		

Lip Gasket



Installation Drawing of TC-6
(Max 5" Hole Cutout)

Lenz has introduced a new series of tank covers, "TC Series". The tank covers include seven models, ranging from a 6" to an 18" diameter. The TC Series tank covers are designed for ease of servicing hydraulic reservoirs through sidewall or through tank top.

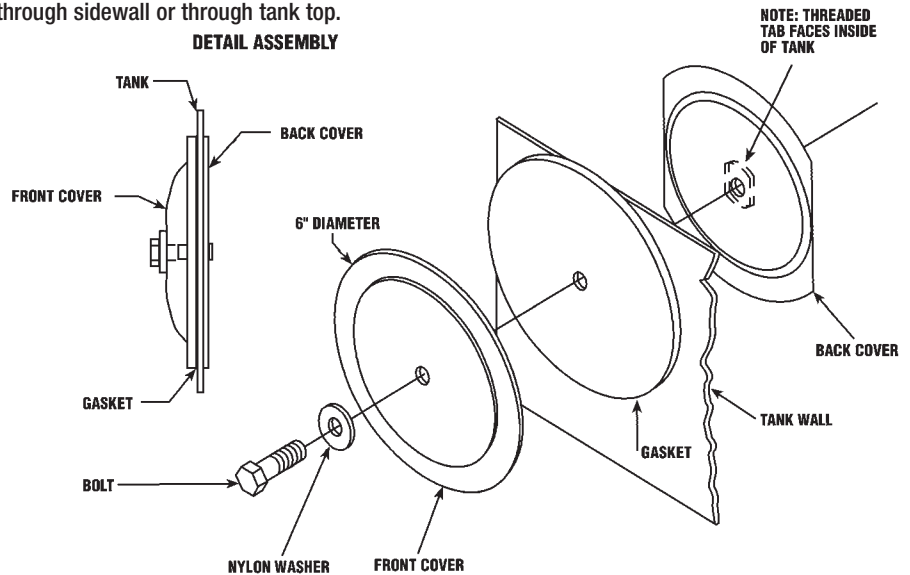
Features Include:

- Buna lip seal supplied 12, 14, 18
- Nylon crush washer supplied
- Zinc plated
- Durable no-leak gasket
- Quick easy access for cleaning and inspection
- For standard and fireproof hydraulic fluids

Options:

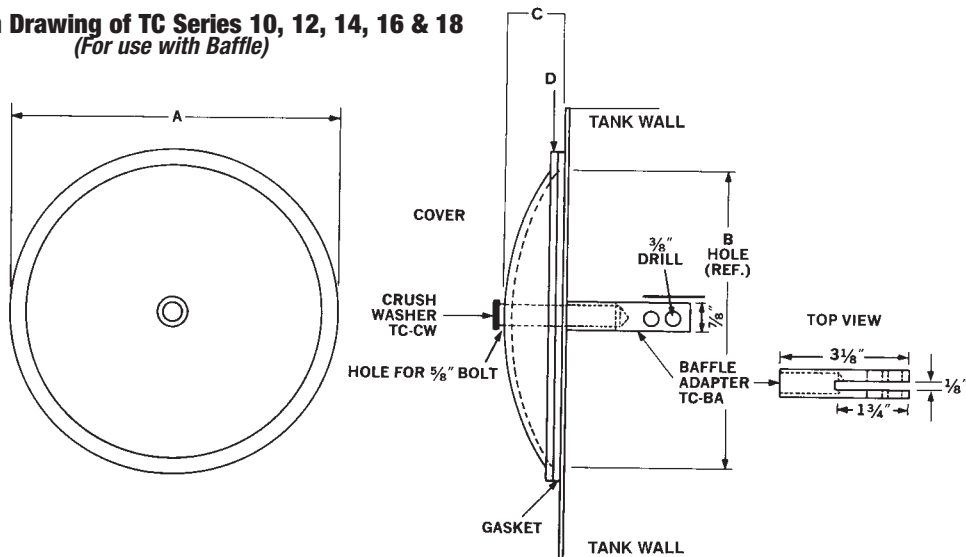
- 6", 12", 14", 18" Diameters
- Drain available – Add "D" to Model Number
- Stainless Steel – Add "SS" to Model Number
- TC-BA – Tank cover Baffle Adapter
- TC Bolt – 5/8"-11 Bolt (TC-BX "L") Specify length.

DETAIL ASSEMBLY



Installation Drawing of TC Series 10, 12, 14, 16 & 18
(For use with Baffle)

Maximum opening in tank should be 2" less than cover O.D.



TC-BA Baffle Adapter is not included as part of the model numbers below. Order separately.



Magnetic Drain Plug

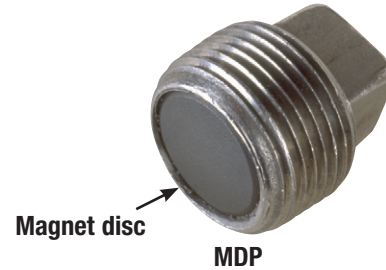
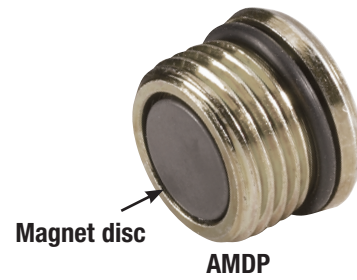
AMDP, MDP Magnetic Drain Plug

Lenz Magnet Plugs are similar to standard pipe or straight thread drain plugs with one important difference, a permanent magnet is fastened to the plug body. This magnet attracts and holds abrasive, ferrous metal particles preventing their circulation through the lubrication or hydraulic system.

These abrasive, ferrous metal particles appear in lubricating or hydraulic systems as a result of the following conditions:

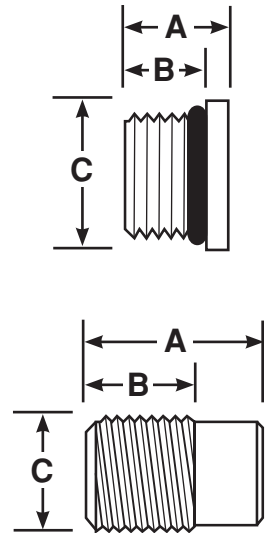
- The constant flaking effect of normal wear of moving parts
- Particles not removed by flushing operations after boring or machining.
- Chipping due to sub-surface casting flaws.
- Minute component breakdown caused by stress usage.

Usually a combination of factors accounts for the presence of these particles that cause excessive wear to vital components unless they are removed. By holding these particles, Lenz Magnetic Drain Plugs prevent excessive wear to the system's components.



Dimensional Detail

Model Number	Port Size	Magnet Style	Overall A Length in. mm	B Body Length in. mm	Magnet Projection in. mm	C Head Size in. mm	Head Depth in. mm	Body Material	Style
MDP-4	1/4"	Bar Alnico V	.96 (24)	.45 (11)	.23 (6)	.37 9	.28 7	Steel	Square Head
MDP-6	3/8"	Disc Ferrite	.80 (20)	.47 (11)	.21 (5)	.43 11	.34 9	Steel	
MDP-8	1/2"	Disc Ferrite	.96 (24)	.57 (14)	—	.56 14	.38 10	Steel	
MDP-12	3/4"	Disc Ferrite	1.11 (28)	.62 (15)	—	.62 16	.45 11	Steel	
MDP-16	1"	Disc Ferrite	1.52 (38)	.75 (19)	—	.81 21	.52 13	Mall. Iron	
AMDP-6	9/16"-18	Disc Ferrite	.48 (12)	.38 (10)	—	.63 16	.28 7	Steel	Hollow Hex
AMDP-8	3/4"-18	Disc Ferrite	.56 (14)	.44 (11)	—	.83 21	.32 8	Steel	
AMDP-10	7/8"-14	Disc Ferrite	.63 (16)	.47 (12)	—	.96 24	.40 10	Steel	



"Visit our newly designed website where you will find Color Cutaway Product Sheets, Searchable Database & Technical Bulletins."

www.lenzinc.com



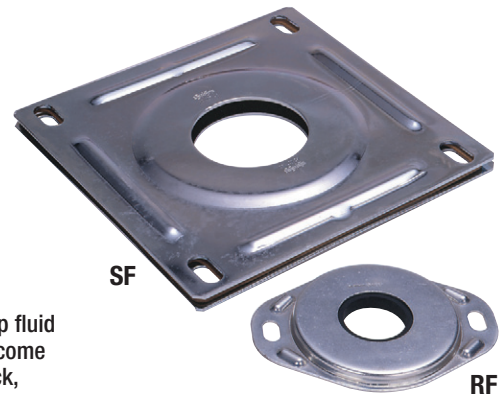
Reservoir Flanges

Suction and Return Line

Models SF & RF

Lenz Reservoir Flanges

Afford a leakproof seal for pipes or tubes passing through the reservoir top . . . keep fluid in, dirt out. No welding, no unions, and saves on piping assembly time. Both types come completely packaged with the parts as shown and with templates . . . ready for quick, easy installation. Meet ASA standards. They serve as economical inspection ports.



Suction Flanges

No. SF & SFO are designed for the suction pipe line of the reservoir. The parts are installed on the top of the tank as shown in the diagram, Figure 1. The larger models, SFO-24 to SFO-48, permit the use of filters larger than 4 1/2" in diameter*. All sizes allow the easy removal of suction strainers from ASA standard reservoirs.

Return Line Flanges

No. RF

Return Flanges are designed to accommodate the return pipe to the tank. The parts, as shown, are quickly and easily installed on the tank as shown in the diagram Figure 2. Range of model sizes and internal washer sizes are shown in table below in RF Models.

Dimensional Detail

PIPE SIZE	SUCTION FLANGE	RETURN FLANGE	SF, SFO							
				A	B	C	D	E	F	G
1/2"	SF-8	RF-8	IN	5.3"	5.5"	4.3"	2.1"	1.4"	0.8"	3"
			MM	135	140	109	53	36	20	76
3/4"	SF-12	RF-12	IN	5.3"	5.5"	4.3"	2.1"	1.4"	1"	3"
			MM	135	140	109	53	36	25	76
1"	SF-16	RF-16	IN	5.3"	5.5"	4.3"	2.1"	1.4"	1.3"	3"
			MM	135	140	109	53	36	33	76
1 1/4"	SF-20	RF-20	IN	5.3"	5.5"	4.3"	2.1"	2"	1.7"	3"
			MM	135	140	109	53	51	43	76
1 1/2"	SF-24		IN	5.3"	5.5"	4.3"	2.1"	2"	1.9"	3"
			MM	135	140	109	53	51	43	76
1 1/2"	SFO-24	RF-24	INN	7.5"	7.5"	6.3"	3.1"	2"	1.9"	3"
			MM	191	191	160	79	51	48	76
2"	SFO-32	RF-32	IN	7.5"	7.5"	6.3"	3.1"	2.5"	2.3"	3"
			MM	191	191	160	79	64	58	76
2 1/2"	SFO-40		IN	7.5"	7.5"	6.3"	3.1"	3"	2.8"	4.25"
			MM	191	191	160	79	76	71	108
3"	SFO-48		IN	7.5"	7.5"	6.3"	3.1"	3.8"	3.5"	4.25"
			MM	191	191	160	79	97	89	108
NONE	IRF BLANK									

*SF Models permit use of sump strainers up to 4 1/2" in diameter.
SFO Models permit use of sump strainers up to 6 1/2" in diameter.

DIMENSIONS MODELS SF & SFO

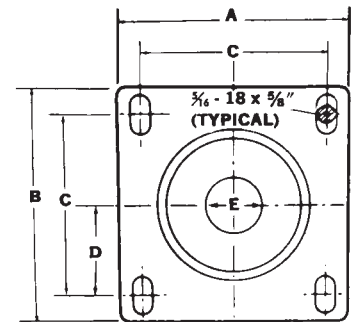
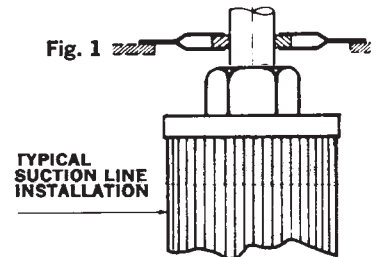
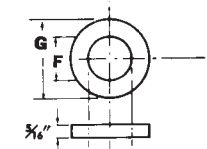


Fig. 1



TYPICAL SUCTION LINE INSTALLATION

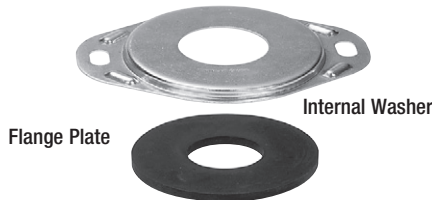
INTERNAL WASHERS



USED ON BOTH SUCTION AND RETURN FLANGES

Return Flange Model RF

Supplied with Self-Tapping Screws and Washers



Dimensions Model RF

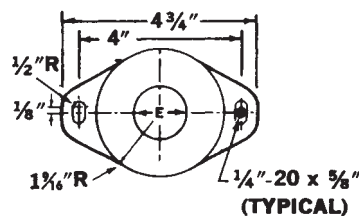


Fig. 2



Sight level Gauge

LLG & T-LLG

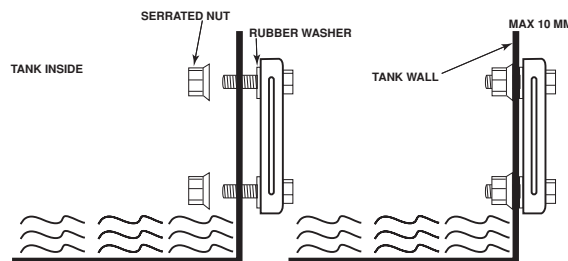
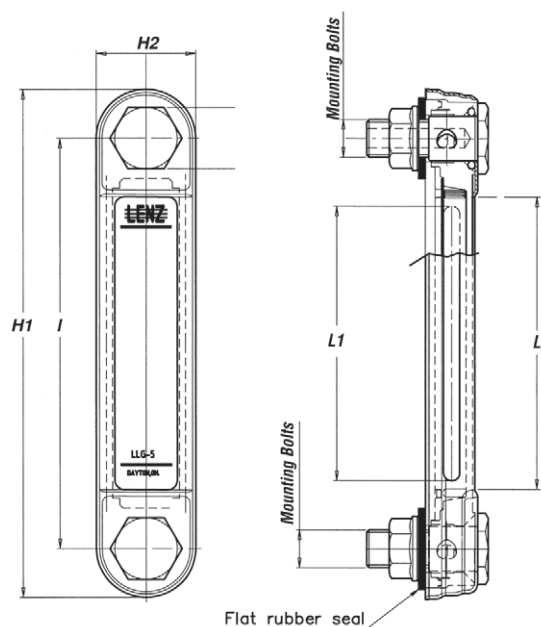
- 3", 5", 10" (75, 127, 254 mm) mounting center transparent Oil Level Indicator with guard
- Transparent Polyimide Resin Material Ultrasonically welded (3", 5")
- Transparent Polycarbonate Tube (10")
- Slotted guard is steel with black finish
- Maximum Operating Temperature 212°F (100°C)
- Compatible with Petroleum Based Fluids, Gasoline, Fuel, and variety of Solvents
- Only compatible with Alcohol IF-AR
- 1/2-13 UNC or (10 mm, 12 mm) bolt threads available
- Maximum Pressure 44 PSI (3 Bar)
- Nitrile Seal
- T-LLG includes standard red thermometer or optional blue thermometer is available



T-LLG-5

T-LLG-5-NG
No Guard

LLG-3



ASSEMBLING INSTRUCTIONS

Method A: Tank has to have two drilled and tapped holes in either M10, M12 or 1/2-13 UNC and can be fastened from outside into the threaded holes

Method B: Two holes must be drilled (10.2 mm on M10, 12.2 mm on M12, 12.6 mm on 1/2-13 UNC) and the level gauge fastened with two hex nuts from the inside of the tank. Tolerance on center-to-center distance: 0.3 mm, tolerance on the drilled holes 0.2 mm

Max tightening torque suggested 4 Ft-Lbs / 5 Nm

Dimensional Detail

MODEL		I	H1	H2	L	MOUNTING L1	HOLE	MOUNTING BOLT	WALL CENTER	BOLT THICKNESS	TORQUE
LLG-3, T-LLG-3	IN	3"	4.2"	1.2"	1.5"	1.3"	.49-50	1/2-13X1.75"	2.98-3.01	0.4	4 FT-LBS
	MM	76	107	30	39	34	10.2-10.5	M10-1.5X1.65"	75.7-76.3	10	5 NM
LLG-5, T-LLG-5	IN	5"	6.1"	1.2"	3.1"	3.3"	.49-50	1/2-13X1.75"	4.98-5.01	0.4	4 FT-LBS
	MM	127	155	30	80	86	12.6-12.9	M12-1.75X1.65"	126.7-127.3	10	5 NM
LLG-10, T-LLG-10	IN	10"	11.1"	1.3"	7"	N/A	.49-50	1/2-13X1.75"	9.98-10.01	0.4	4 FT-LBS
	MM	254	282	33	178	N/A	12.6-12.9	M12-1.75X1.65"	253.7-254.3	10	5 NM

Ordering Code

T — LLG — 5 — *

THERMOMETER		SERIES LLG	SIZE	OPTIONS	
OMIT	LEVEL			3	OMIT
T	RED THERM	5	M10		M10 BOLT
BT	BLUE THERM	10	M12	M12 BOLT	
			V	VITON SEALS	
			PE	ETHYLENE-PROPYLENE	
			LB	1/2-13 x 2" BOLT	
			RB	REFLECTING BALL 3.5	
			AR	ALCOHOL RESISTANT	
			M10SS	SS BOLT, NUT	
			M12SS	SS BOLT, NUT	
			NG	NO GUARD	



LLG-5-RB-NG



Fluid Level Sight Gauges

Sealed Back

Model 550/T-550

3 Sizes (3 1/4", 5" & 7" center to center)

Models 550 - 3 1/4", 5" & 7" body frames are of heavy aluminum alloy with flat black finish. Jam nuts and flat washers are steel; hollow mounting bolts are carbon steel, zinc plated and furnished for 1/4" thick reservoir walls. Special longer hollow bolts can be furnished on request for 7/8" & 1 1/2" thick walls. (12mm & 3/8"-24 bolts available) Stainless steel bolts available upon request.

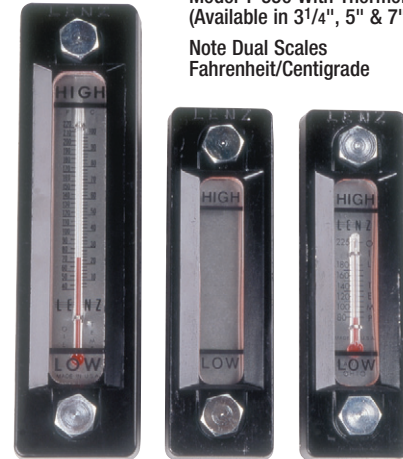
Standard 550 and T-550 models have 70 durometer buna - N, O-Ring Seals, silicone gaskets, tempered glass window and brushed aluminum backgrounds. They are for use with petroleum products, oil-water emulsions, and glycol-water solutions where temperatures do not exceed 200°F. Where the fluids used in the sight gauge is not known, we can furnish Viton O-rings (at additional cost).

T-550PE-5 Example:

(ethylene-propylene for phosphate ester base fluids)

Model T-550 With Thermometer
(Available in 3 1/4", 5" & 7")

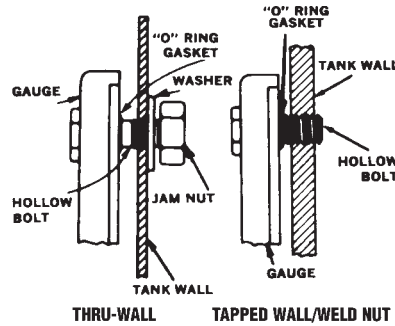
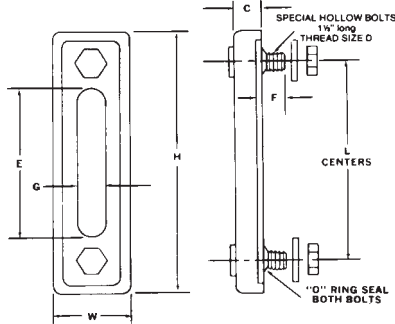
Note Dual Scales
Fahrenheit/Centigrade



T-550-7

550-5

T-550-5

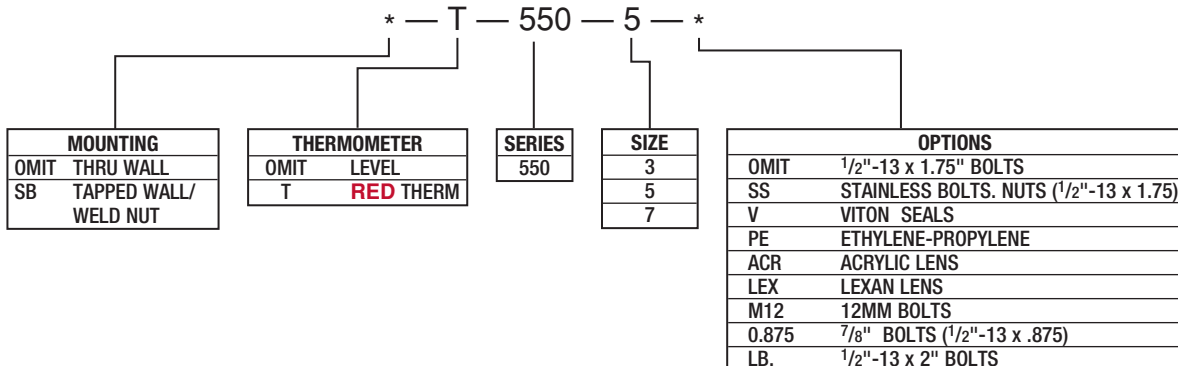


Note* When ordering for tapped tank wall, add "SB" to part number Ex: SB-T-550-5

Dimensional Detail

STANDARD MODELS	THERMOMETER MODELS		L	H	W	C	D	E	F	G
550-3	T-550-3	IN	3.3"	4.8"	2"	0.7"	1/2-13 UNC-2	2.2"	0.8"	0.8"
		MM	84	122	51	18		56	20	20
550-5	T-550-5	IN	5"	6.6"	2"	0.7"	1/2-13 UNC-2	3.9"	0.8"	0.8"
		MM	127	168	51	18		99	20	20
550-7	T-550-7	IN	7"	8.6"	2.3"	0.8"	1/2-13 UNC-2	5.9"	0.7"	1"
		MM	178	218	58	20		150	18	25

Ordering Code





Fluid Level Sight Windows

LSW, LSW-A SERIES

- C.R.S. Hex nut
- Electroless Nickel Plate
- 3/8" thru 2" NPT
- 3/4"-16 thru 1 7/8"-12 S.A.E.
- Bora Silica Glass Clear Lens
- Maximum Operating Temperature 500 F
- Buna Seals
- Compatible with petroleum based fluids, gasoline, lube oil
Fuel, variety of solvents



LSW



LSW-R

NPT THREADS

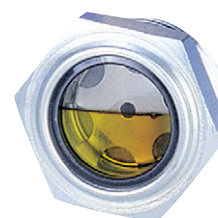
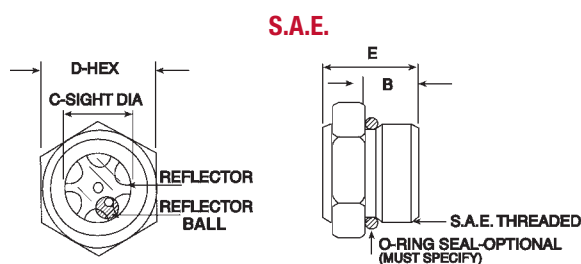
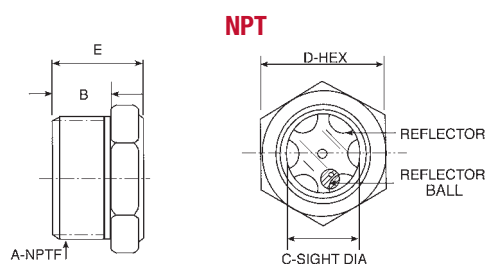
Dimensional Detail

OPEN VIEW	WITH REFLECTOR	REFLECTOR BALL		A	B	C	D	E	MAX PRESS PSI/BAR
LSW-6	LSW-6-R	LSW-6-RB	IN MM	3/8"	0.51 13	0.44 11	0.75 19	0.72 18	1800 122
LSW-8	LSW-8-R	LSW-8-RB	IN MM	1/2"	0.57 14	0.56 14	0.94 24	0.78 20	1750 119
LSW-12	LSW-12-R	LSW-12-RB	IN MM	3/4"	0.63 16	0.75 19	1.06 27	0.94 24	1500 102
LSW-16	LSW-16-R	LSW-16-RB	IN MM	1"	0.94 24	0.94 24	1.38 35	1.25 32	1250 85
LSW-20	LSW-20-R	LSW-20-RB	IN MM	1 1/4"	0.81 21	1.18 30	1.75 44	1.21 31	1000 68
LSW-24	LSW-24-R	LSW-24-RB	IN MM	1 1/2"	0.81 21	1.44 37	2 51	1.21 31	750 51
LSW-32	LSW-32-R	LSW-32-RB	IN MM	2"	0.81 21	1.87 47	2.5 64	1.21 31	500 34

S.A.E. THREADS

Dimensional Detail

OPEN VIEW	WITH REFLECTOR	REFLECTOR BALL		A	B	C	D	E	MAX PRESS PSI/BAR
LSW-A6	LSW-A6-R	LSW-A6-RB	IN MM	9/16"-18	0.39 10	0.44 11	0.69 18	0.73 19	1850 125
LSW-A8	LSW-A8-R	LSW-A8-RB	IN MM	3/4"-16	0.44 11	0.56 14	0.87 22	0.8 20	1750 119
LSW-A12	LSW-A12-R	LSW-A12-RB	IN MM	7/8"-14	0.5 13	0.63 16	1 25	0.84 21	1600 109
LSW-A16	LSW-A16-R	LSW-A16-RB	IN MM	1 1/16"-12	0.59 15	0.75 19	1.25 32	0.96 24	1500 102
LSW-A20	LSW-A20-R	LSW-A20-RB	IN MM	1 5/16"-12	0.59 15	1.13 29	1.5 38	1.02 26	1050 71
LSW-A24	LSW-A24-R	LSW-A24-RB	IN MM	1 7/8"-12	0.59 15	1.63 41	2.12 54	1.12 28	600 41



WFA Weld Flange

For S.A.E. Weld Port Flanges and Adapters see page 17a and 18a



LWBA Weld Flange



Oil Level Indicators

LSG, LSGR

- Hex Head Transparent Oil Level Indicator
- Transparent Polyimide Material
- Maximum Operating Temperature 212°F (100°C)
- Compatible with Petroleum Based Fluids, Gasoline, Fuel, and variety of Solvents
- Not compatible with Alcohol
- NPT, BSP and S.A.E. Threads available
- Maximum Pressure 44 PSI (3 Bar)
- Nitrile Seal
- Central Red indicator Point
- Contrast reflector available
- Locknut available for mounting on reservoirs less than .2 inches wall thickness



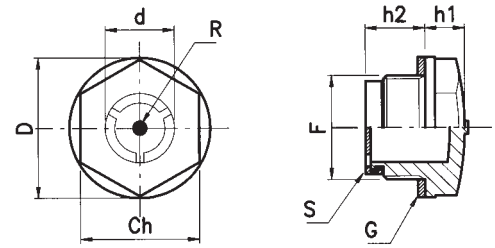
LSG-A-R
(S.A.E.)



LSG-R
(NPT/BSP)

Dimensional Detail

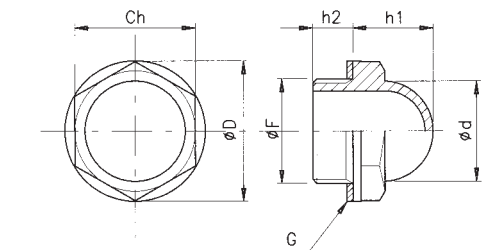
Model	THREAD F		HEX CH	D	d	h1	h2	TORQUE FTLB-NM	WEIGHT LB-GM
LSG-4-R	1/4" BSP	IN	0.7"	0.8"	0.5"	0.3"	0.4"	3"	0.007"
		MM	17	20	12	8	9	4	3
LSG-6-R	3/8" BSP	IN	0.7"	0.9"	0.5"	0.3"	0.4"	3"	0.009"
		MM	18	22	12	8	10.5	4	4
LSG-8-R	1/2" BSP	IN	0.9"	1.1"	0.6"	0.3"	0.5"	6"	0.011"
		MM	24	28	16	8	12	8	5.0
LSG-A8-R	3/4"-16" S.A.E.	IN	1.1"	0.6"	0.7"	0.3"	0.5"	6"	0.011"
		MM	28	16	18	8	12	8	5.0
LSG-12-R	3/4" NPT	IN	0.9"	1.1"	0.9"	0.2"	0.7"	7.5"	0.018"
		MM	24	28	23	6	19	10	8.2
LSG-A12-R	1 1/16"-12 S.A.E.	IN	0.9"	1.4"	0.9"	0.4"	0.6"	7.5"	0.018"
		MM	24	36	23	9	16	10	8.2
LSG-16-R	1" NPT	IN	1.2"	1.4"	1.1"	0.4"	0.8"	9"	0.026"
		MM	30	36	27	10	21	12	11.8
LSG-A16-R	1 5/16"-12 S.A.E.	IN	1.2"	1.7"	1.1"	0.4"	0.7"	9"	0.026"
		MM	30	43	29	10	18	12	11.8
LSG-20-R	1 1/4" NPT	IN	1.7"	2.0"	1.3"	0.4"	0.7"	11"	0.044"
		MM	42	51	32	10	17	15	20.0
LSG-24-R	1 1/2" BSP	IN	2.0"	2.3"	1.5"	0.4"	0.8"	11"	0.044"
		MM	50	58	39	10	21	15	20.0
LSG-A24-R	1 7/8" -12 S.A.E.	IN	2.0"	2.3"	1.7"	0.4"	0.8"	11"	0.044"
		MM	51	58	43	10	21	15	20.0
LSG-32-R	2" BSP	IN	2.5"	2.9"	1.9"	0.5"	0.8"	11"	0.044"
		MM	64	74	48	12	20	15	20
LSG-M18	M18 X1.5	IN	0.8"	1.0"	0.6"	0.2"	0.5"	7.5"	0.011"
		MM	21	25	14	6	13	10	5.0



LSD

Domed Oil Sights

- Domed Shaped Transparent Oil Level Indicator
- Transparent Polyimide Material
- Maximum Operating Temperature 194°F (90°C)
- Compatible with Petroleum Based Fluids, Gasoline, Fuel, and variety of Solvents
- Not compatible with Alcohol
- NPT and BSP Threads available
- Maximum Pressure 44 PSI (3 Bar)
- Nitrile Seal, Fiber Seal
- Locknut Fiber Seal available for mounting on reservoirs less than .2 inches wall thickness



G = fiber gasket

Dimensional Detail

NPT MODEL	BSP MODEL	F		CH	D	d	H1	H2	TORQUE LB-FT/NM	WEIGHT LB/GM
LSD-6N	LSD-6	3/8"	IN	0.7"	0.9"	0.6"	0.6"	0.4"	6"	0.009"
			MM	19	22	15	16	10	8	4
LSD-8N	LSD-8	1/2"	IN	0.9"	1.1"	0.8"	0.7"	0.4"	9"	0.011"
			MM	24	28	20	17	10	12	5
	LSD-12	3/4"	IN	1.2"	1.4"	1"	0.8"	0.4"	12"	0.018"
			MM	30	35	25	20	10	16	8
LSD-16N	LSD-16	1"	IN	1.4"	1.7"	1.2"	0.9"	0.4"	12"	0.04"
			MM	36	42	31	24	10.5	16	18



Magnetic Tank Cleaners

Multi Magnet Standard or Heavy Duty

Lenz magnetic tank cleaners pick up material that ordinary filters miss and thus maintain cleaner oil. The cleaner the oil, the less problems and expense incurred.

Exceptionally efficient, each unit is composed of a large ceramic magnet and two circular pole pieces.

Multi-magnet tank cleaners come in two models: standard and heavy-duty. Heavy-duty is recommended when support rods are long, power units are large or shipping abuse is anticipated. Although the magnetic unit is the same, heavy-duty is manufactured with a 5/8" solid steel support rod while the standard tank cleaner contains a 1/8" pipe size support rod.

To clean, simply use ordinary air hose using compressed air.

Order pipe plugs separately. Pipe plugs are optional and are furnished in 2 1/2" size. The minimum opening that will accommodate the unit is 2" pipe size or a hole approximately 2 1/4" in diameter. If desired, it can be installed in the cover of any opening larger than this.

Optional: Plug Part No. 40P (For Standard Rod)
HD40P (For Heavy Duty Rod)

Note** Special Rod Lengths Available

Demonstration of the Tank Cleaner's Magnetic Power

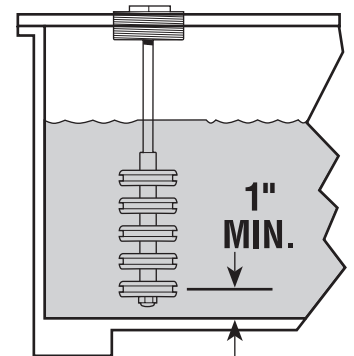
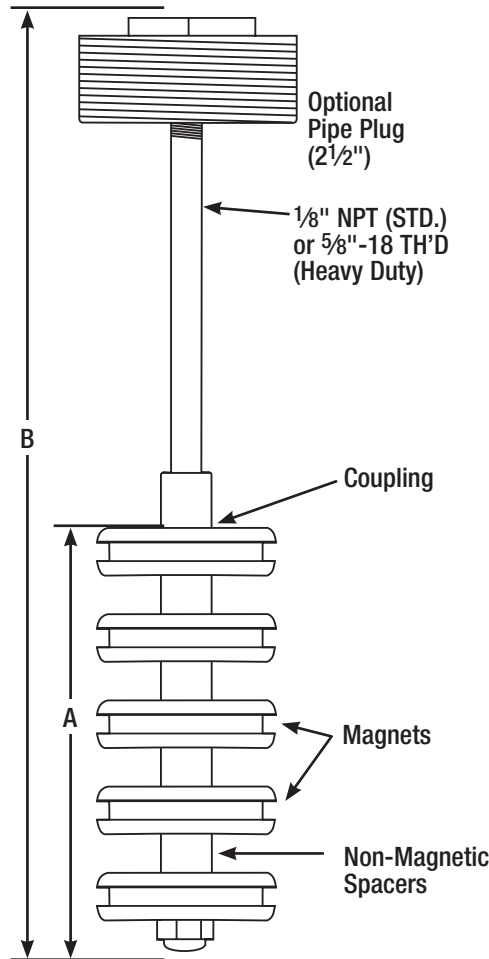


Standard Multi-Magnet 1000 Series

MODEL NO.		A	B	RESERVOIR CAPACITY
1001	IN	1.6"	6.6"	0-10
	MM	41	168	
1002	IN	2.7"	7.7"	10-30
	MM	69	196	
1003	IN	3.8"	8.8"	30-60
	MM	97	224	
1004	IN	4.8"	9.8"	60-100
	MM	122	249	
1005	IN	5.9"	10.9"	100-150
	MM	150	277	
1006	IN	7"	12"	150-210
	MM	178	305	
1007	IN	8"	13"	210-280
	MM	203	330	
1008	IN	9.1"	14.1"	280-350
	MM	231	358	

Heavy Duty Multi-Magnet 2000 Series

MODEL NO.		A	B	RESERVOIR CAPACITY
2001	IN	0.8"	5.8"	0-10
	MM	20	147	
2002	IN	2"	7"	10-30
	MM	51	178	
2003	IN	3"	8"	30-60
	MM	76	203	
2004	IN	4.1"	9.1"	60-100
	MM	104	231	
2005	IN	5.3"	10.3"	100-150
	MM	135	262	
2006	IN	6.2"	11.2"	150-210
	MM	157	284	
2007	IN	7.3"	12.3"	210-280
	MM	185	312	
2008	IN	8.3"	13.3"	280-350
	MM	211	338	



MULTI-MAGNET

TYPICAL INSTALLATION



Slim Line Magnet Tank Cleaners

In-Line Magnets Standard or Heavy-Duty

The primary difference between slim line and regular tank cleaners is in the smaller diameter of the slim line. Capable of being inserted into a hole tapped for a 3/4" plug, the cleaner is especially useful in small reservoirs, gear boxes and other applications where space is at a premium.

Since there is a ratio between length and diameter of a magnet for greatest power, each unit is designed to give maximum magnetic power possible in a small space.

Slim Line Tank Cleaners are available in two models: standard and heavy-duty. Although the magnetic unit is the same, heavy-duty is manufactured with a 5/8" solid steel support rod while the standard contains a 1/8" pipe size support rod.

To clean, simply remove from reservoir and wipe with a clean cloth every 3 to 6 months.

Order pipe plugs separately. Pipe plugs for installing in the top of the reservoir are optional and are furnished in 3/4" and 1 1/4". If space is available, it is recommended that the 1 1/4" plug be used for ease of removal.

3/4" Plug Part No.

12P (For Standard Rod)

HD 12P (For Heavy Duty Rod)

1 1/4" Plug Part No.

20P (For Standard Rod)

HD 20P (For Heavy Duty Rod)

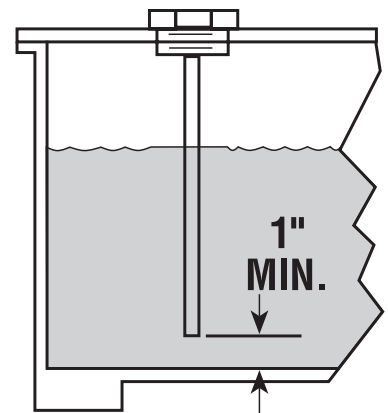
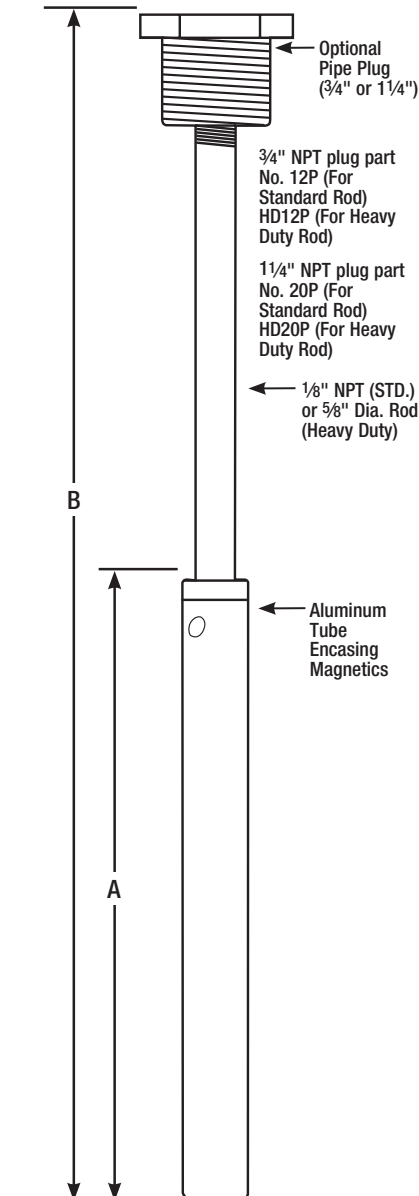
Note** Special Rod Lengths Available

Standard Slim Line 3000 Series

MODEL NO.		A	B
3002	IN	6"	11"
	MM	152	279
3003	IN	8.5"	13.5"
	MM	216	343
3004	IN	11"	16"
	MM	279	406
3005	IN	13.5"	18.5"
	MM	343	470
3006	IN	16"	21"
	MM	406	533
3007	IN	18.5"	23.5"
	MM	470	597
3008	IN	21"	26"
	MM	533	660
3009	IN	23.5"	28.5"
	MM	597	724
3010	IN	26"	31"
	MM	660	787

Heavy Duty Slim Line 4000 Series

MODEL NO.		A	B
4002	IN	5.8"	10.8"
	MM	147	274
4003	IN	8.3"	13.3"
	MM	211	338
4004	IN	10.8"	15.8"
	MM	274	401
4005	IN	13.3"	18.3"
	MM	338	465
4006	IN	15.8"	20.8"
	MM	401	528
4007	IN	18.3"	23.3"
	MM	465	592
4008	IN	20.8"	25.8"
	MM	528	655
4009	IN	23.3"	28.3"
	MM	592	719
4010	IN	25.8"	30.6"
	MM	655	777



SLIM-LINE

TYPICAL INSTALLATION



High Pressure LHBV SERIES

Carbon Steel Body Zinc Plated (1/4" - 1 1/4" Port Sizes)

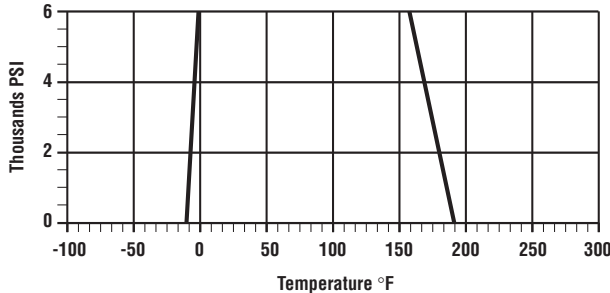
- Forged Body (1 1/2", 2 Port sizes)
- Full Port Sizes
- Hard Chrome Plated Steel Ball
- Delrin +MoS2 Ball Seals
- Viton "O"-Ring
- NPT, S.A.E.
- Operating Pressures to 7250 PSI (500 Bar) see chart
- Operating Temperature -20° F to 212° F (-12° C to 100° C)

Options

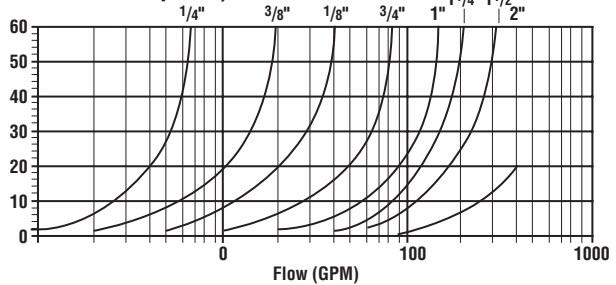
- Lock Kits
- Stainless Steel
- Temperature Range -60° F to 400° F (-50 C to 200 C depending upon seal material)



Working Pressure and Temperature



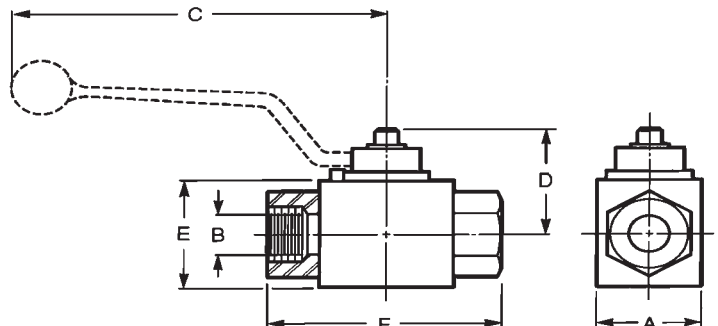
Pressure Drop (PSI)



Dimensional Detail

MODEL NUMBER	S.A.E. MODEL	PORT SIZE	WORKING PRESSURE		A	B	C	D	E	F	WEIGHT LBS/KG
LHBV-4	LBVA-4	1/4"	7500	IN	1"	0.2"	4.6"	1.2"	1.3"	2.7"	0.8"
				MM	10	5	24	30	80	44	0.4
LHBV-6	LBVA-6	3/8"	7500	IN	1.3"	0.4"	4.6"	1.2"	1.5"	3.1"	1.1"
				MM	10	10	24	30	80	44	0.5
LHBV-8	LBVA-8	1/2"	5000	IN	1.4"	0.5"	4.6"	1.2"	1.6"	4.1"	1.4"
				MM	15	13	31	30	80	51	0.6
LHBV-12	LBVA-12	3/4"	5000	IN	1.9"	0.8"	7.2"	1.8"	2.2"	4.3"	3.3"
				MM	20	20	37	46	113	57	1.5
LHBV-16	LBVA-16	1"	5000	IN	2.3"	0.9"	7.2"	2"	2.6"	4.6"	4.4"
				MM	25	23	45	51	113	70	2
LHBV-20	LBVA-20	1 1/4"	5000	IN	3"	0.9"	8.5"	2.5"	3.3"	4.3"	4.6"
				MM	32	23	57	64	138	81	2.1
LHBV-24	LBVA-24	1 1/2"	5000	IN	3.6"	0.9"	8.5"	2"	3.9"	5.1"	13"
				MM	40	23	70	51	138	94	5.9
LHBV-32	LBVA-32	2"	5000	IN	4.2"	0.9"	8.5"	2.9"	4.4"	5.5"	19"
				MM	45	23	84	74	157	112.5	8.6

REPLACEMENT HANDLES	Size	REPLACEMENT SEALS	Size	LOCKING KITS	Size
BVH-4	1/4"	BVH-SK-4	1/4"	LK-1	1/4", 3/8", 1/2"
BVH-6	3/8"	BVH-SK-6	3/8"	LK-2	3/4", 1, 1 1/4"
BVH-8	1/2"	BVH-SK-8	3/8"	LK-3	1 1/2", 2
BVH-12	3/4"	BVH-SK-12	3/4"		
BVH-16	1"	BVH-SK-16	1"		
BVH-20	1 1/4"	BVH-SK-20	1 1/4"		
BVH-24	1 1/2"	BVH-SK-24	1 1/2"		
BVH-32	2"	BVH-SK-32	2"		





Low Pressure Ball Valves

Model LPBV

- 1/4" through 4" NPT Full ported
- Forged Brass body nickel plated
- Blow out proof stems
- Pressures to 735 PSI (50 bar)
- Teflon ball and stem seals
- Suitable for oil, water, gas, fuel, gasoline, acid, and compressed air
- Operating temperatures -22° F to +350° F (-30C to +162 C)
- Quarter Turn

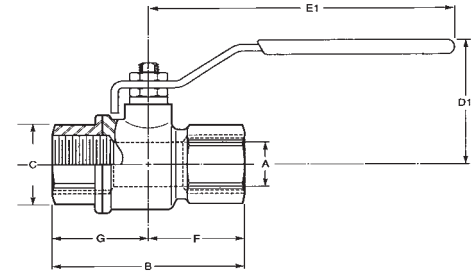
Options

- Locking Valve Handle



Dimensional Detail

MODEL NUMBER	NPT THREAD	WORKING PRESSURE		A	B	C	D1	E1	F	G	WEIGHT LBS/KG
LPBV-4	1/4"	735	IN MM	0.4" 10	1.7" 44.4	0.9" 23.5	1.5" 37	3.1" 80	0.9" 22.2	0.9" 22.2	0.3" 0.1
LPBV-6	3/8"	735	IN MM	0.4" 10	1.7" 44.4	0.9" 24	1.5" 37	3.1" 80	0.9" 22.2	0.9" 22.2	0.3" 0.1
LPBV-8	1/2"	735	IN MM	0.6" 15	2" 51	1.2" 30.5	1.6" 41	3.1" 80	1" 25.5	1" 25.5	0.4" 0.2
LPBV-12	3/4"	590	IN MM	0.8" 20	2.2" 57	1.5" 37	2.2" 55	4.4" 113	1.1" 28	1.2" 29.5	0.7" 0.3
LPBV-16	1"	590	IN MM	1" 25	2.8" 70	1.8" 45.5	2.3" 59	4.4" 113	1.4" 35	1.4" 35	1" 0.5
LPBV-20	1 1/4"	440	IN MM	1.3" 32	3.2" 80.5	2.2" 57	2.9" 74.5	5.4" 137.5	1.6" 40.5	1.6" 40	2" 0.9
LPBV-24	1 1/2"	440	IN MM	1.6" 40	3.7" 94	2.8" 70	3.2" 80.5	5.4" 137.5	1.9" 47.5	1.8" 46.5	3" 1.4
LPBV-32	2"	370	IN MM	1.8" 45	4.4" 112.5	3.3" 84	3.8" 96.5	6.2" 157	2.2" 57	2.2" 55.5	4" 1.8
LPBV-40	2 1/2"	265	IN MM	2.1" 54	5" 128	3.8" 96	4.3" 109	7.8" 197	2.5" 63.5	2.5" 64.5	8" 3.6
LPBV-48	3"	205	IN MM	2.6" 65	5.8" 148	4.7" 119	5" 126	9.8" 250	2.9" 73.5	2.9" 74.5	13" 5.9
LPBV-64	4"	180	IN MM	3.1" 80	6.7" 169	5.4" 138	5.3" 135	9.8" 250	3.3" 85	3.3" 84	22" 10



ABV Lenz Air Bleeder Valves

Tapered Pipe Thread S.A.E. Straight Thread

The Lenz Air Bleeder Valve is an exclusive design, extremely compact and consisting of only two metal parts. No packings are employed. The fact that it is necessary to eliminate all air from lines and equipment in order to maintain maximum operating efficiency makes this valve an important and vital part of the hydraulic system. It needs only to be installed at the highest point in the circuit where the air accumulates. It is especially needed when starting a hydraulic system. Easily installed.



Tapered Pipe Thread

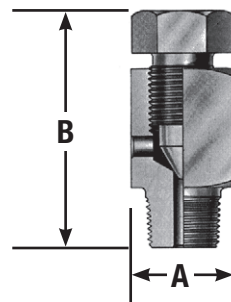


S.A.E. Straight Thread

Note: When Ordering Lenz Air Bleeder Valves in Stainless Steel Add -SS. Example: 4ABV-SS.

ABV Lenz Air Bleeder Valves

Model No.	Port	Measurements	Hex A	Length B
2-ABV	1/8" NPT	IN MM	0.69" 18	1.69" 43
4-ABV	1/8" NPT	IN MM	0.69" 18	1.9" 48
6-ABV	3/8" NPT	IN MM	0.69" 18	1.9" 48
A-6ABV	9/16"-18 S.A.E.	IN MM	0.88" 22	1.69" 43
8-ABV	1/2" NPT	IN MM	0.69" 18	1.88" 48





4-Bolt Flanged Head Fittings

For Pipe

Length: Inches - Black;
Millimeters - Red.
Pressure: PSI - Black;
Megapascals - Red.

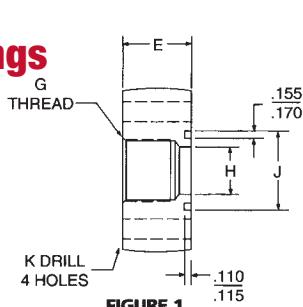
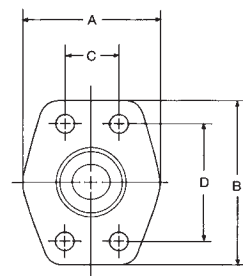


FIGURE 1



All measurements are in inches.

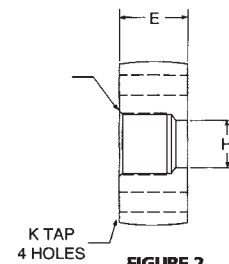


FIGURE 2

3000 PSI NPTF Female Thread - Drilled Holes - "O"-Ring Figure 1 & 2

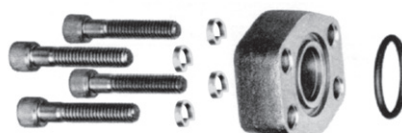
O-Ring Part No. Fig. 1	Flat Face Part No. Fig. 2	Pipe Size	Pad Size	A	B	C	D	E	F	H Dia.	J Dia.	K Dia.	L Dia. Spot Face	NPTF Thread	* O Ring Part Number	* Socket Head Cap Screw Part Number	* Hi Collar Lock Washer Part Number
W43-8-8	W104-8-8	.50 12.7	.50 12.7	1.81 46.0	2.12 53.8	.688 17.48	1.500 38.10	1.25 31.8	.91 23.1	.50 12.7	1.000 25.40	.344 8.74	.500 12.70	.50 12.7	M345-15	M477-10	M478-4
W43-12-12	W104-12-12	.75 19.0	.75 19.0	2.06 52.3	2.56 65.0	.875 22.23	1.875 47.63	1.25 31.8	.84 21.3	.75 19.0	1.250 31.75	.406 10.31	.594 15.09	.75 19.0	M345-19	M477-5	M478-1
W43-16-16	W104-16-16	1.00 25.4	1.00 25.4	2.31 58.7	2.75 69.8	1.031 26.19	2.062 52.37	1.38 35.0	.97 24.6	1.00 25.4	1.560 39.62	.406 10.31	.594 15.09	1.00 25.4	M345-24	M477-6	M478-1
W43-20-20	W104-20-20	1.25 31.8	1.25 31.8	2.88 73.2	3.12 79.2	1.188 30.18	2.312 58.72	1.50 38.1	1.03 26.2	1.25 31.8	1.750 44.45	.469 11.91	.688 17.48	1.25 31.8	M345-27	M477-7	M478-2
W43-24-24	W104-24-24	1.50 38.1	1.50 38.1	3.25 82.6	3.69 93.7	1.406 35.71	2.750 69.85	1.62 41.1	1.09 27.7	1.50 38.1	2.120 53.85	.531 13.49	.781 19.84	1.50 38.1	M346-3	M477-4	M478-3
W43-32-32	W104-32-32	2.00 50.8	2.00 50.8	3.81 96.8	4.00 101.6	1.688 42.88	3.062 77.77	1.62 41.1	1.09 27.7	2.00 50.8	2.495 63.37	.531 13.49	.781 19.84	2.00 50.8	M346-6	M477-4	M478-3
W43-40-40	W104-40-40	2.50 63.5	2.50 63.5	4.28 108.7	4.50 114.3	2.000 50.80	3.500 88.90	2.00 50.8	1.47 37.3	2.50 63.5	3.000 76.20	.531 13.49	.781 19.84	2.50 63.5	M346-10	M477-9	M478-3
W43-48-48	W104-48-48	3.00 76.2	3.00 76.2	5.16 131.1	5.31 134.9	2.438 61.93	4.188 106.38	2.25 57.2	1.59 40.4	3.00 76.2	3.620 91.95	.656 16.66	.969 24.61	3.00 76.2	M346-15	M477-11	M478-5

*These parts are not supplied under fitting Catalog Number. Must be ordered separately.

S.A.E. FOUR BOLT FLANGE KITS



Code 61
Size Lenz P/N
3/4" W43-12-12K
1" W43-16-16K
1 1/4" W43-20-20K
1 1/2" W43-24-24K
2" W43-32-32K
2 1/2" W43-40-40K



Code 61
Size Lenz P/N
3/4" W4-12-12K
1" W4-16-16K
1 1/4" W4-20-20K
1 1/2" W4-24-24K
2" W4-32-32K
2 1/2" W4-40-40K
3" W4-48-48K

SPLIT FLANGE KITS



Code 61
Size Lenz P/N
3/4" 12SFK
1" 16SFK
1 1/4" 20SFK
1 1/2" 24SFK
2" 32SFK



Code 62
Size Lenz P/N
3/4" 12SFXX
1" 16SFXX
1 1/4" 20SFXX
1 1/2" 24SFXX
2" 32SFXX



4-bolt Flanged Head Fittings

For Pipe

Length: Inches - Black;
 Millimeters - Red.
 Pressure: PSI - Black;
 Megapascals - Red.

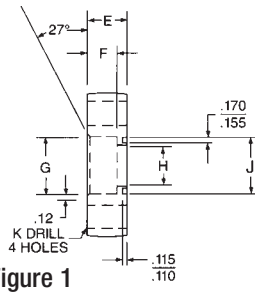


Figure 1

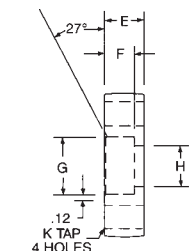
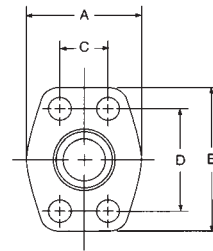


Figure 2

3000 PSI Flat Socket - Pipe (Code 61) Figure 1 & 2

O-Ring Part Number Fig. 1	Flat Face Fig. 2	Pipe Size	Pad Size	A	B	C ±.010	D ±.010	E	F	G Dia. +.015 -.005	H Dia.	J Dia.	K Dia.	* O Ring Part Number	* Socket Head Cap Screw Part Number	* Hex Head Cap Screw Part Number	* Hi Collar Lock Washer Part Number
W4-8-8	W61-8-8	.50 12.7	.50 12.7	1.813 46.0	2.125 53.9	.688 12.0	1.500 38.1	.75 19.0	.56 14.2	.855 21.7	.50 12.7	1.000 25.4	.344 8.73	M345-15	M477-10	M522-11	M478-4
W4-12-12	W61-12-12	.75 19.0	.75 19.0	2.06 52.3	2.56 65.0	.875 22.23	1.875 47.63	.75 19.0	.19 4.8	1.062 26.97	.75 19.0	1.250 31.75	.406 10.31	M345-19	M477-5	M522-11	M478-1
W4-16-16	W61-16-16	1.00 25.4	1.00 25.4	2.31 58.7	2.75 69.8	1.031 26.19	2.062 52.37	.88 22.4	.25 6.4	1.328 33.73	1.00 25.4	1.560 39.62	.406 10.31	M345-24	M477-6	M522-12	M478-1
W4-20-20	W61-20-20	1.25 31.8	1.25 31.8	2.88 73.2	3.12 79.2	1.188 30.18	2.312 58.72	.94 23.9	.25 6.4	1.672 42.47	1.25 31.8	1.750 53.85	.469 13.49	M345-27	M477-7	M522-13	M478-2
W4-24-24	W61-24-24	1.50 38.1	1.50 38.1	3.25 82.6	3.69 93.7	1.406 35.71	2.750 69.85	1.19 30.2	.44 11.2	1.922 48.82	1.50 38.1	2.120 53.85	.531 13.49	M346-3	M477-8	M522-14	M478-3
W4-32-32	W61-32-32	2.00 50.8	2.00 50.8	3.81 96.8	4.00 101.6	1.688 42.88	3.062 77.77	1.38 35.0	.50 12.7	2.406 61.11	2.00 50.8	2.495 63.37	.531 13.49	M346-6	M477-9	M522-15	M478-3
W4-40-40	W61-40-40	2.50 63.5	2.50 63.5	4.28 108.7	4.50 114.3	2.000 50.80	3.500 88.90	1.75 44.4	.75 19.0	2.906 73.81	2.50 63.5	3.000 76.20	.531 13.49	M346-10	M477-14	M522-16	M478-3
W4-48-48	W61-48-48	3.00 76.2	3.00 76.2	5.16 131.1	5.31 134.9	2.438 61.93	4.188 106.38	2.12 53.8	.88 22.4	3.547 90.09	3.00 76.2	3.620 91.95	.656 16.66	M346-15	M477-16	M522-18	M478-5

6000 PSI Flat Socket - Pipe (Code 62) Figure 1 & 2

O-Ring Fig. 1 Part Number	Flat Face Fig. 2 Part Number	Pipe Size	Pad Size	A	B	C	D	E	F	G	H	K Thread UNC-2B	* O Ring Part Number	* Socket Head Cap Screw Part Number	* Hex Head Cap Screw Part Number	* Hi Collar Lock Washer Part Number
W59-8-8	W60-8-8	0.50 12.7	0.50 12.7	1.94 49.2	2.30 58.4	0.718 18.2	1.594 40.4	0.870 22.1	0.560 14.2	0.855 21.72	0.500 12.7	5/16-18	M345-15	M477-10	M522-11	M478-4
W59-12-12	W60-12-12	0.75 19.0	0.75 19.0	2.38 60.4	2.81 71.3	0.937 23.8	2.00 50.13	1.250 31.7	0.560 14.22	1.063 27.0	0.750 19.0	3/8-16	M345-19	M477-23	M522-11	M478-1
W59-16-16	W60-16-16	1.00 25.4	1.00 25.4	2.75 69.8	3.19 81.0	1.094 27.79	2.250 57.15	1.00 25.4	.38 9.6	1.33 33.8	1.00 25.4	7/16-14	M345-24	M477-29	M522-13	M478-2
W59-20-20	W60-20-20	1.25 31.8	1.25 31.8	3.06 77.7	3.75 95.2	1.250 31.75	2.625 66.68	1.25 31.8	.56 14.2	1.67 42.4	1.25 31.8	1/2-13	M345-27	M477-7	M522-14	M478-3
W59-24-24	W60-24-24	1.50 38.1	1.50 38.1	3.75 95.2	4.44 112.8	1.438 36.53	3.125 79.38	1.50 38.1	.75 19.0	1.92 48.8	1.50 38.1	5/8-11	M346-3	M477-11	M522-19	M478-5
W59-32-32	W60-32-32	2.00 50.8	2.00 50.8	4.50 114.3	5.25 133.4	1.750 44.45	3.812 96.82	1.75 44.4	.88 22.4	2.41 61.2	2.00 50.8	3/4-10	M346-6	M477-17	M522-20	M478-7

500 PSI Flat Socket - Pipe Figure 1 & 2

O-Ring Fig. 1 Part Number	Flat Face Fig. 2 Part Number	Pipe Size	Pad Size	A	B	C ±.010	D ±.010	E	F	G Dia. +.015 -.005	H Dia.	J Dia.	K Dia.	* O Ring Part Number	* Socket Head Cap Screw Part Number	* Hex Head Cap Screw Part Number	* Hi Collar Lock Washer Part Number
W72-48-48	W91-48-48	3.00 76.2	3.00 76.2	5.12 130.5	5.31 134.9	2.438 61.93	4.188 106.38	1.38 35.0	.25 6.4	3.547 90.09	3.00 76.2	3.620 91.95	.656 16.68	M346-15	M477-20	M522-24	M475-5
W72-56-56	W91-56-56	3.50 88.9	3.50 88.9	5.50 139.7	6.00 152.4	2.750 69.85	4.750 120.65	1.44 36.6	.25 6.4	4.047 102.79	3.50 88.9	4.105 104.26	.656 16.66	M346-19	M477-20	M522-24	M478-5
W72-64-64	W91-64-64	4.00 101.6	4.00 101.6	6.00 152.4	6.38 162.1	3.062 77.77	5.125 130.18	1.50 38.1	.25 6.4	4.578 116.28	4.00 101.6	4.605 116.97	.656 16.66	M346-23	M477-11	M522-19	M478-5



4-Bolt Flanged Head Fittings For Pipe

Length: Inches - Black;
Millimeters - Red.
Pressure: PSI - Black;
Megapascals - Red.

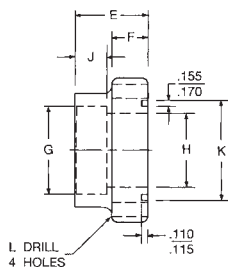


FIGURE 1

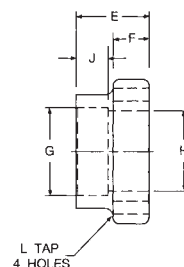
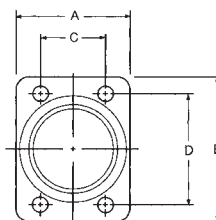


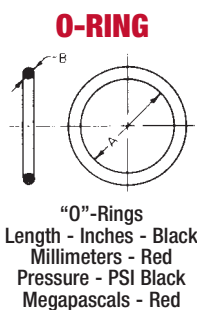
FIGURE 2

3000 PSI Deep Socket - Tapped Holes Figure 1 & 2

O-Ring Part No. Fig. 1	Flat Face Part No. Fig. 2	Pipe Size	Pad Size	A	B	C	D	E	F	G Dia.	H Dia.	J	K Thread UNC-2B	* O Ring Part Number	* Socket Head Cap Screw Part Number	* Hex Head Cap Screw Part Number	* Hi Collar Lock Washer Part Number
W31-12-12	W3-12-12	.75 19.0	.75 19.0	1.69 42.9	2.56 65.0	.875 22.23	1.875 47.63	1.06 26.9	.50 12.7	1.062 26.97	.75 19.0	.50 12.7	3/8-16	M345-19	M477-5	M522-11	M478-1
W31-16-16	W3-16-16	1.00 25.4	1.00 25.4	1.94 49.3	2.75 69.8	1.031 26.19	2.062 52.37	1.25 31.8	.56 14.2	1.328 33.73	1.00 25.4	.62 15.7	3/8-16	M345-24	M477-6	M522-12	M478-1
W31-20-20	W3-20-20	1.25 31.8	1.25 31.8	2.19 55.6	3.12 79.2	1.188 30.18	2.312 58.72	1.44 36.6	.62 15.7	1.672 42.47	1.25 31.8	.75 19.0	7/16-14	M345-27	M477-7	M522-13	M478-2
W31-24-24	W3-24-24	1.50 38.1	1.50 38.1	2.56 65.0	3.69 93.7	1.406 35.71	2.750 69.85	1.75 44.4	.81 20.6	1.922 48.82	1.50 38.1	1.00 25.4	1/2-13	M346-3	M477-8	M522-14	M478-3
W31-32-32	W3-32-32	2.00 50.8	2.00 50.8	3.06 77.7	4.00 101.6	1.688 42.88	3.062 77.77	2.00 50.8	1.06 26.9	2.406 61.11	2.00 50.8	1.12 28.4	1/2-13	M346-6	M477-9	M522-15	M478-3
W31-40-40	W3-40-40	2.50 63.5	2.50 63.5	3.56 90.4	4.50 114.3	2.000 50.80	3.500 88.90	2.31 58.7	1.12 28.4	2.906 73.81	2.50 63.5	1.31 33.3	1/2-13	M346-10	M477-14	M522-16	M478-3

For Fittings (S.A.E. J515)

Part Number	Tube O.D. Ref.	I.D. A	Cross Section B
M383-4	.25	.351	.072
M383-5	.31	.414	.072
M383-6	.38	.468	.078
M383-8	.50	.644	.087
M383-10	.62	.755	.097
M383-12	.75	.924	.116
M383-14	.88	1.048	.116
M383-16	1.00	1.171	.116
M383-20	1.25	1.475	.118
M383-24	1.50	1.720	.118



For Split Flange Clamp Heads (S.A.E. J518)

Part Number	Flange Size	A	B
M345-15	.50	.75	.12
M345-19	.75	1.00	.12
M345-24	1.00	1.31	.12
M345-27	1.25	1.50	.12
M346-3	1.50	1.88	.12
M346-6	2.00	2.25	.12
M346-10	2.50	2.75	.12
M346-15	3.00	3.38	.12
M346-19	3.50	3.88	.12
M346-23	4.00	4.38	.12

Also Available

4-bolt flanged-head fittings

For Pipe

3000 PSI Saddle - Drilled Holes
3000 PSI 90 Elbow - Tapped Holes
3000 PSI 90 Elbow - Drilled Holes
3000 PSI Boss - Drilled Holes
3000 PSI 90 Elbow NPTF Female Thread - Drilled Hole

For Tube

3000 PSI Flat Socket - Drilled Holes
3000 PSI Deep Socket - Tapped Holes
3000 PSI Saddle - Tapped Holes
3000 PSI Saddle - Drilled Holes
3000 PSI 90 Elbow - Tapped Holes
3000 PSI 90 Elbow - Drilled Holes

4-bolt flanged-head fittings and components.

For Pipe and Tube

3000 PSI Tank Pilot - Tapped Holes
Weld Pipe Plug
Flange Plug
Hex Head Cap Screws
Socket Head Cap Screws
4-bolt flanged-head components

For Pipe and Tube

Spring Lock Washers
High Collar Spring Lock Washers
"O"-Rings
Connector Plates



Split Flange Halves

For S.A.E. Flanged Head Connection

Length: Inches - Black;
 Millimeters - Red.
 Pressure: PSI - Black;
 Megapascals - Red.
 Bolt Torque Range;
 Pounds/Inches - Black;
 Newton-meters - Red.

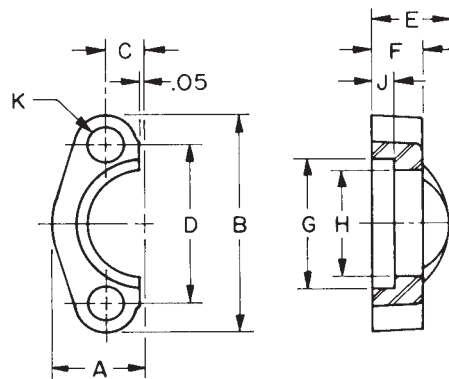


FIGURE 1

S.A.E. Standard 3000 PSI (S.A.E. J518 Code 61)

Figure 1

Flange Part Number Fig. 1	Flange Size	A .03	B .03	C .01	D .010	E .03	F .03	G .010	H .010	J	K Dia.	* Bolt Part Number	* Lock Washer Part Number	Heck Bolt Torque Range (LB-IN)	Max Rec. Working Press (PSI)
8SF-2	.50 12.7	.86 21.8	2.12 53.8	.344 8.74	1.500 38.10	.75 19.0	.50 12.7	1.219 30.96	.955 24.26	.245 6.22	.344 8.74	M522-1	5LW	175-225	5000
12SF-2	.75 19.0	.98 24.9	2.56 65.0	.438 11.13	1.875 47.63	.88 22.4	.56 14.2	1.531 38.89	1.265 32.13	.245 6.22	.406 10.31	M522-2	6LW	250-350	5000
16SF-2	1.00 25.4	1.11 28.2	2.75 69.8	.515 13.08	2.062 52.37	.94 23.9	.62 15.7	1.781 45.24	1.515 38.48	.295 7.49	.406 10.31	M522-2	6LW	325-425	5000
20SF-2	1.25 31.8	1.39 35.3	3.12 79.2	.594 15.09	2.312 58.72	.88 22.4	.56 14.2	2.031 51.59	1.720 43.69	.295 7.49	.469 11.91	M522-3	7LW	425-550	4000
24SF-2	1.50 38.1	1.58 40.1	3.69 93.7	.703 17.86	2.750 69.85	1.00 25.4	.62 15.7	2.406 61.11	2.000 50.80	.297 7.54	.531 13.49	M522-4	8LW	550-700	3000
32SF-2	2.00 50.8	1.86 47.2	4.00 101.6	.844 21.44	3.062 77.77	1.03 26.2	.62 15.7	2.844 72.24	2.470 62.74	.355 9.02	.531 13.49	M522-4	8LW	650-800	3000
40SF-2	2.50 63.5	2.09 53.1	4.50 114.3	1.000 25.40	3.500 88.90	1.50 38.1	.75 19.1	3.344 84.94	2.950 74.93	.355 9.02	.531 13.49	M522-5	8LW	950-1100	2500
48SF-2	3.00 76.2	2.53 64.3	5.31 134.9	1.219 30.96	4.188 106.38	1.62 41.1	.88 22.3	4.031 102.39	3.580 90.93	.355 9.02	.656 16.66	M522-7	10LW	1650-1800	2000
56SF-2	3.50 88.9	2.70 68.6	6.00 152.4	1.375 34.93	4.750 120.65	1.12 28.4	.88 22.3	4.531 115.09	4.030 102.36	.422 10.72	.656 16.66	M522-8	10LW	1400-1600	500

SEE PAGE 28 FOR KITS

6000 PSI (S.A.E. J518 Code 62) Figure 1

Flange Part Number Fig. 1	Flange Size	A .03	B .03	C .01	D .010	E .03	F .03	G .010	H .010	J	K Dia.	* Bolt Part Number	* Lock Washer Part Number	Heck Bolt Torque Range (LB-IN)	Max Rec. Working Press (PSI)
12SFX-2	.75 19.0	1.14 29.0	2.81 71.4	.469 11.91	2.000 50.80	1.12 28.4	.75 19.0	1.656 42.06	1.280 32.51	.325 8.26	.406 10.31	M522-1	6LW	300-400	6000
16SFX-2	1.00 25.4	1.33 33.8	3.19 81.0	.547 13.89	2.250 57.15	1.31 33.3	.94 23.9	1.906 48.41	1.530 38.86	.355 9.02	.469 11.91	M522-13	7LW	500-600	6000
20SFX-2	1.25 31.8	1.48 37.6	3.75 95.2	.625 15.88	2.625 66.68	1.50 38.1	1.06 26.9	2.156 54.76	1.750 44.45	.385 9.78	.531 13.49	M522-5	8LW	750-900	6000
24SFX-2	1.50 38.1	1.83 46.5	4.44 112.8	.719 18.26	3.125 79.38	1.69 42.9	1.19 30.2	2.531 64.29	2.030 51.56	.475 12.07	.656 16.66	M522-9	10LW	1400-1600	6000
32SFX-2	2.00 50.8	2.20 55.9	5.25 133.4	.875 22.23	3.812 96.82	2.06 52.3	1.44 36.6	3.156 80.16	2.660 67.56	.475 12.07	.781 19.84	M522-26	12LW	2400-2600	6000

*These parts are not supplied under fitting Catalog Number. Must be ordered separately.

To order two split flange halves plus hardware, drop the -2 after the SF or SFX.

SEE PAGE 28 FOR KITS