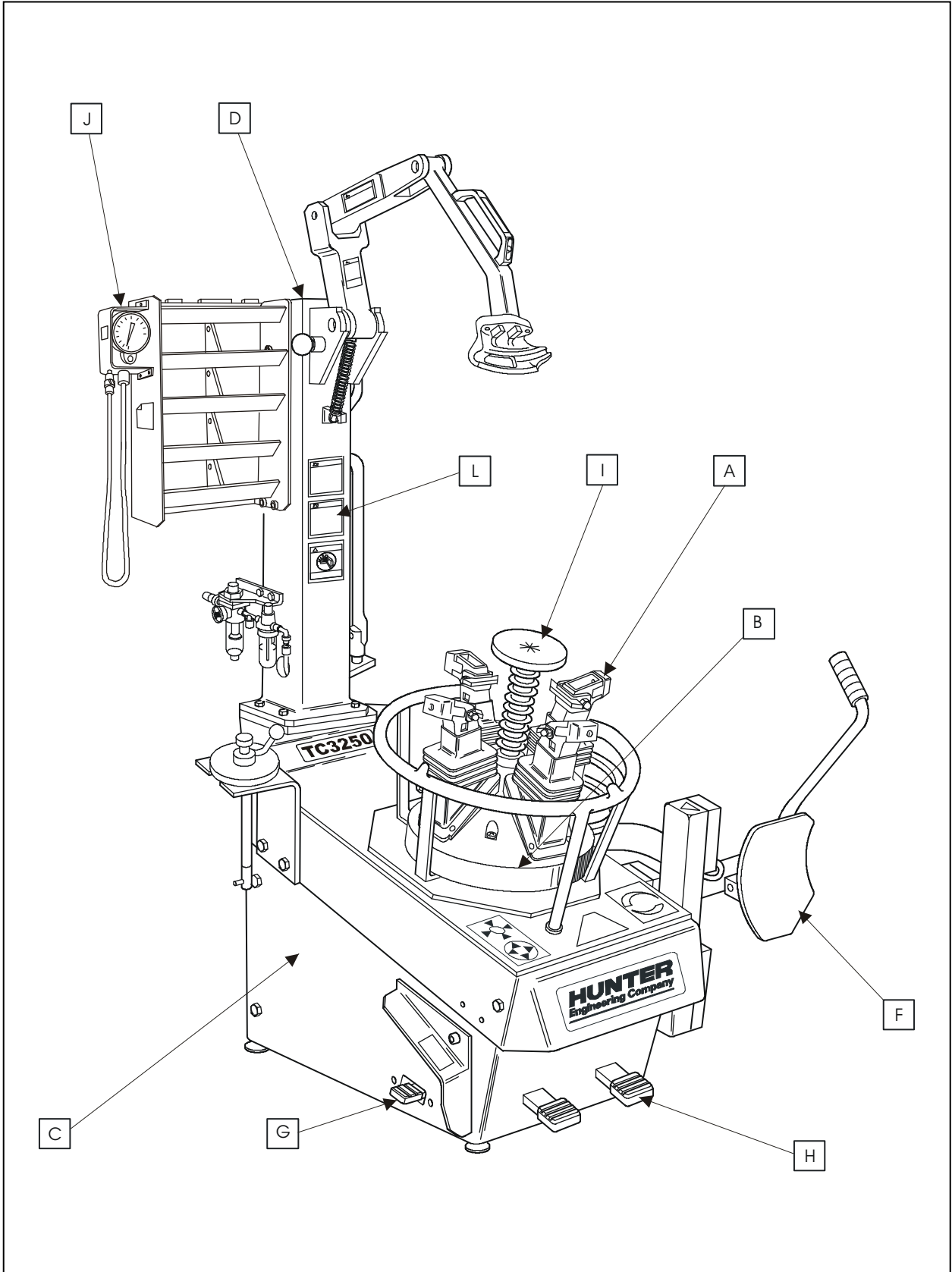


TC3250 TIRE CHANGER

©2006 Hunter Engineering Company



TC3250 TIRE CHANGER
REFER TO NEXT SHEET FOR PARTS DESCRIPTION LISTING

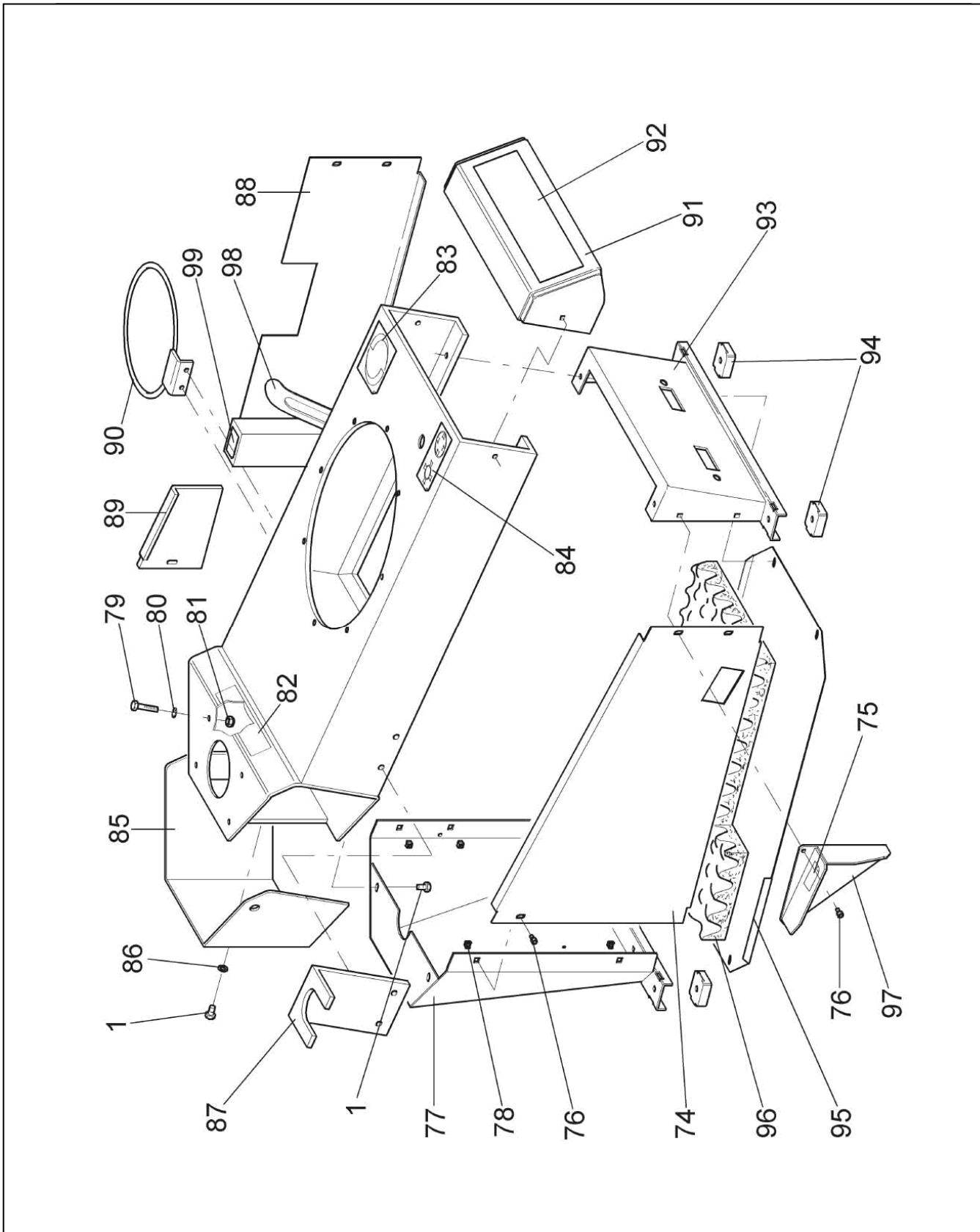
TC3250 Tire Changer

No.	Part Number	Description
A		Self Centering Clamping System (Sheet 10)
B	RP6-1637	Motor Complete (Sheet 7 & 9)
C		Housing (Sheet 3)
D	RP6-1615	Column Assembly (Sheet 4)
E	20-1320-1	Plus Device Kit (Plus Device Only RP6-2310) (Sheet 6)
F		Bead Assembly (Sheet 7)
G		Inflation Pedal Assembly (Sheet 11)
H	RP6-2983	Pedal Box (Sheet 8)
I	RP6-10822	Wheel Center Support (Sheet 12)
J		Inflation Gauge Assembly (Sheet 5)
K	RP6-11216	Bead Depressor "Tail" (Not Illustrated) (Sheet 13)
L		Decal Placement (Sheet 14)
M	20-1892-1	Wheel Lift Kit (Optional Kit) (Not Illustrated) (Sheet 15,16,17)

**TC3250 Standard
Accessory Kit**

Part Number	Description
RP6-1506	Applicator Brush
RP6-11257	Force Multiplier
RP6-3784	Mounting Paste 3.5 kg
RP6-11216	28" Bead Depressor Tail
RP6-8659	External Rubber Clamping Jaw (4 Ea.)
145-341-2	Tire Inflator/Air Chuck
148-133-2	Lubrication Oil
179-15-2	Safety Goggles
RP6-0343	Extra Mount/Demount Head
RP6-2413	Mechanical Bead Pusher
RP6-2663	"HM" Bead Lever
RP6-0326	Bead Lever Protector Sleeve
RP6-0322	Traditional Bead Lever

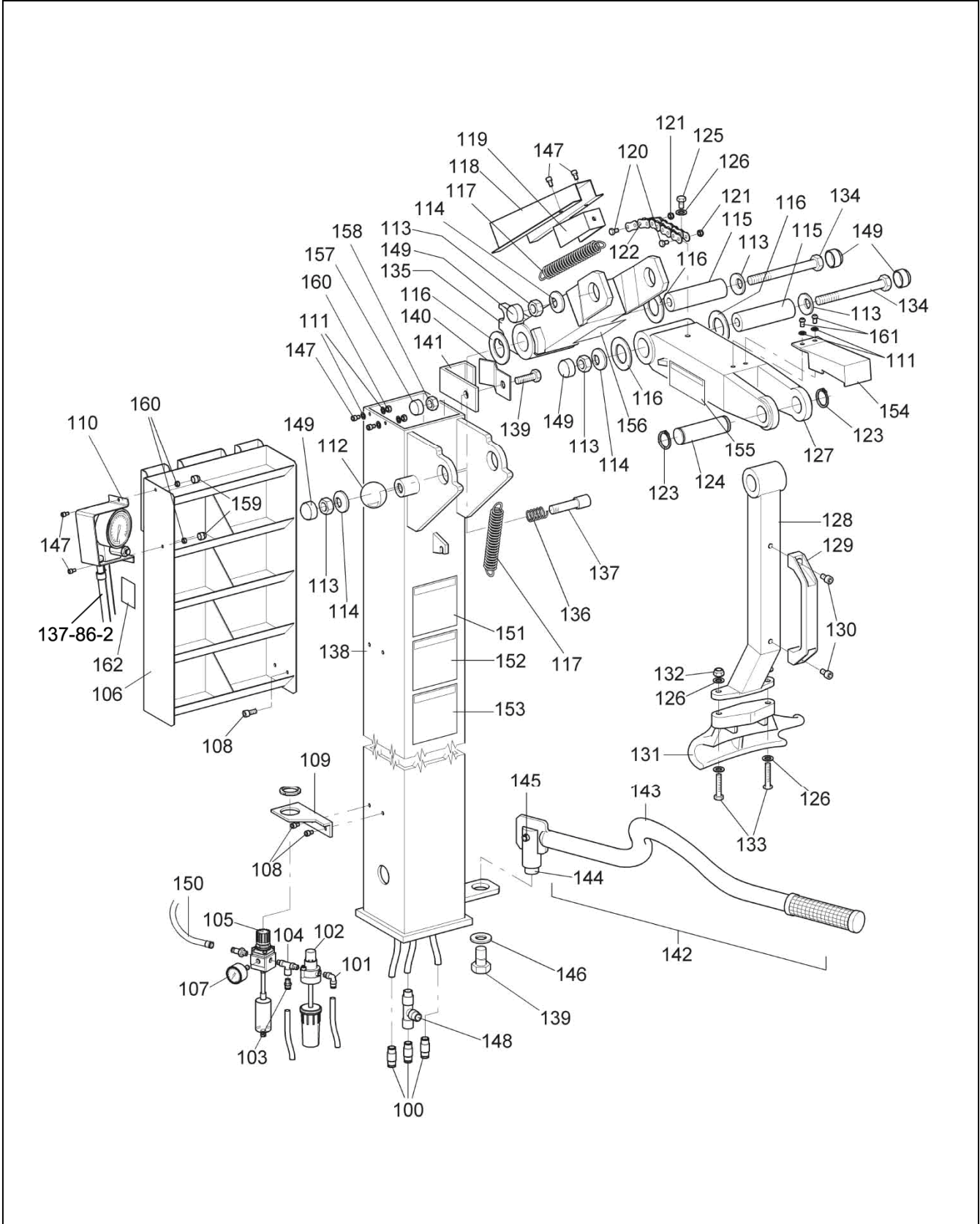
*See Form 4042T for all tire changer accessories available.



TC3250 TIRE CHANGER
REFER TO NEXT SHEET FOR PARTS DESCRIPTION LISTING

No.	Part Number	Description
1	RP6-0248	TE M8x20 screw
74	RP6-12481	Left case
75	RP6-1678	Danger plate
76	RP6-0250	TCEI M6 x 16 UNI 5931 screw
77	RP6-12263	"C" rear feet
78	RP6-0012	M6 anchor nut
79	RP6-1811	TE M10 x 35 screw
80	RP6-0247	FE 10.5 x 2 x 2 washer
81	RP6-1812	M10 ISO 2320 Zn triblock nut
82	RP6-3825	TC3250 plate
83	RP6-2415	Rotation direction plate
84	RP6-2416	Clamping direction plate
85	RP6-0026	Rear guard
86	RP6-0249	D. 8,4 washer

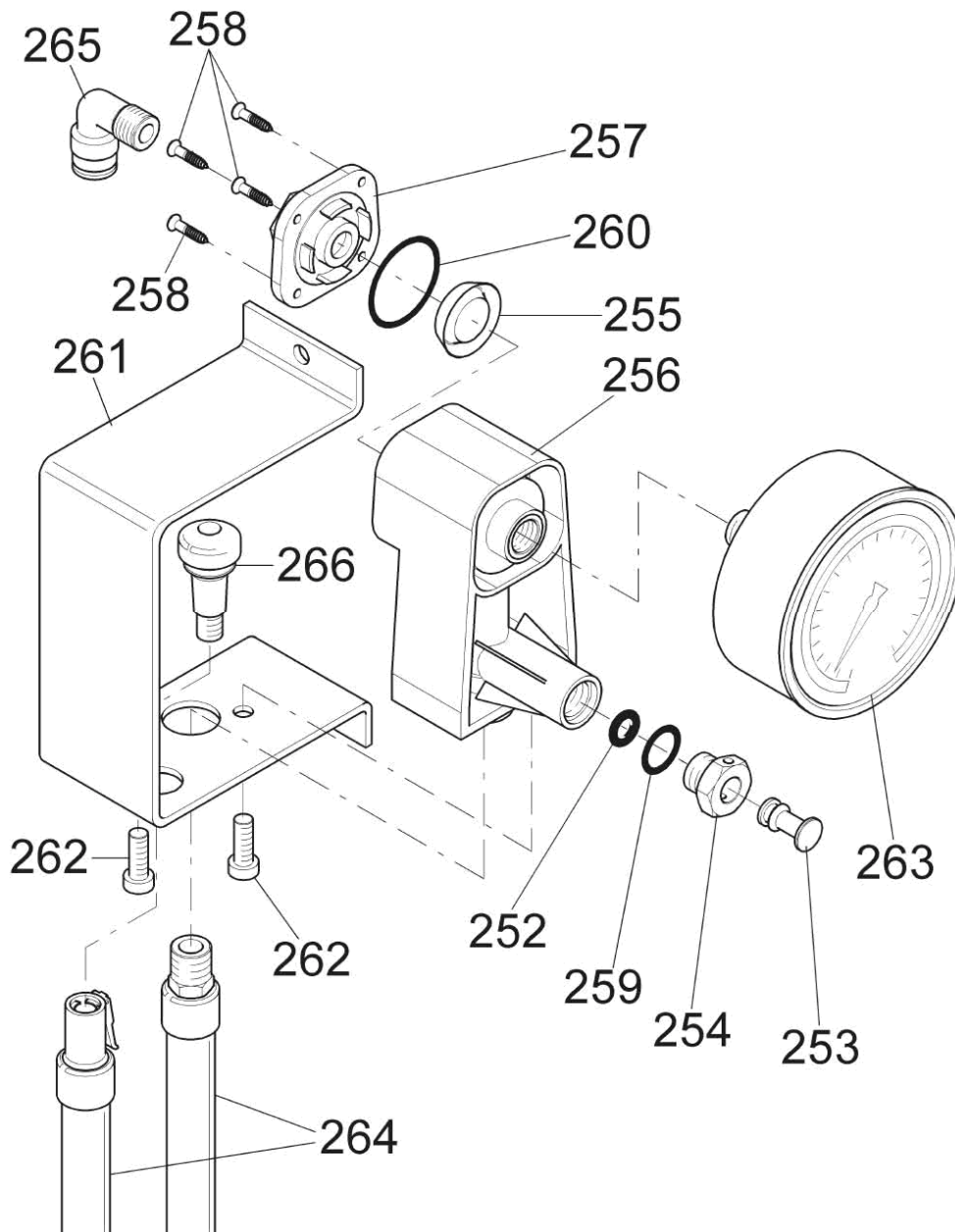
No.	Part Number	Description
87	RP6-1347	Device support
88	RP6-12482	Right case
89	RP6-1946	Closing triangle
90	RP6-0223	C grease holding ring
91	RP6-0030	Front guard
92	RP6-1676	Hunter plate
93	RP6-12219	"C" front foot
94	RP6-2528	Rubber foot
95	RP6-12479	Lower closing plate
96	RP6-1803	Sponge
97	RP6-2173	Pedal protection
98	RP6-0322	Bead lifting lever
99	RP6-2063	Bead breaker plate



TC3250 TIRE CHANGER
 REFER TO NEXT SHEET FOR PARTS DESCRIPTION LISTING

No.	Part Number	Description
100	RP6-0622	D.8 junction
101	RP6-1708	8-1/4 L rotary union
102	RP6-8985	C series lubricator
103	RP6-0201	8 - 1/4" fitting
104	RP6-1000	1/4"-1/4" T union
105	RP6-7203	Filter C104 DS11
106	RP6-1358	Vertical cup
107	RP6-0141	Pressure gauge
108	RP6-0250	TCEI M6 x 16 UNI 5931 screw
109	RP6-1462	Condit. unit support
110	RP6-7024	S12 USA pressure gauge unit
111	RP6-1163	Fe 6,4 x 13 x 2 UNI 6592 Zn washer
112	RP6-0832	D=45 M1 ball knob
113	RP6-2185	M14 Triblock nut
114	RP6-0251	14.2x40.2 Belleville washer
115	RP6-0078	Ø 35 pin
116	RP6-0080	Shim adjusting ring
117	RP6-0162	T 3 x 22.8 x 123 spring
118	RP6-1498	Guard for spring
119	RP6-1499	Clamp for spring
120	RP6-0963	TE M5 x 20 UNI 5739 screw
121	RP6-1281	M5 7473 Autoblock nut
122	RP6-1130	Chain for spring
123	RP6-0255	25 UNI 7435 ring
124	RP6-0079	Ø 25 pin
125	RP6-0347	TE M8 x 35 screw
126	RP6-0249	D. 8,4 washer
127	RP6-1409	Horizontal arm
128	RP6-7900104000	Vertical arm
129	RP6-0095	Handle
130	RP6-0256	TCEI M8 x 16 UNI 5931 Zn screw
131	RP6-0343	Assembling tool

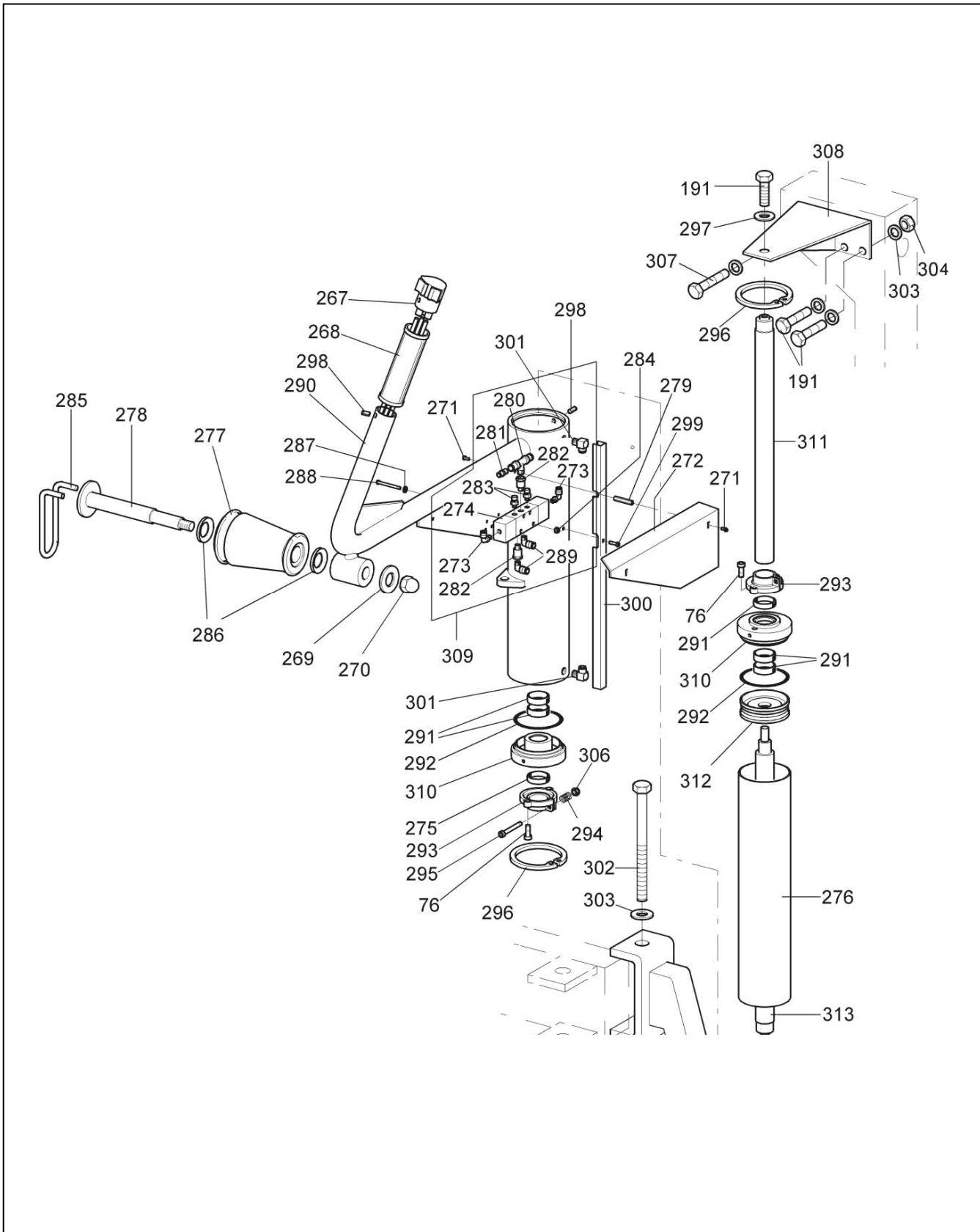
No.	Part Number	Description
132	RP6-0267	M8 autoblock nut
133	RP6-0796	TE M8 x 40 UNI 5737 screw
134	RP6-0253	TE 14 x 140 UNI 5737 screw
135	RP6-1154	Supplementary Arm
136	RP6-1411	1,2 x 17,5 x 72 C spring
137	RP6-1341	Pawl
138	RP6-1615	Column
139	RP6-0240	TE M10 x 20 UNI 5739 screw
140	RP6-1651	Spring
141	RP6-1652	Clamp for lever
142	RP6-1642	Bead lifting lever assembly
143	RP6-1999	Bead lifting lever
144	RP6-2133	Fulcrum for lever
145	RP6-2134	10 x 24 UNI 6873 Zn elastic pin
146	RP6-0307	Fe 10,5 x 30 x 3 UNI 6592 Zn washer
147	RP6-1244	TCEI M6 x 12 screw
148	RP6-1753	Safety valve
149	RP6-2177	M14 nut Protection plug
150	RP6-2435	"C" feeding pipe
151	RP6-1680	Warning plate
152	RP6-1681	Warning information plate
153	RP6-1679	Symbol warning plate
154	RP6-2181	Arm protection
155	RP6-2047	Remove clip plate
156	RP6-2372	Attention plate
157	RP6-2176	M10 nut protection plug
158	RP6-0259	M10 high nut
159	RP6-2175	M6 nut protection plug
160	RP6-0270	M6 UNI 5587 Zn high nut
161	RP6-1420	TBEI M6 x 16 UNI-ISO 7380 Zn screw
162	RP6-1990	Manual T place



TC3250 TIRE CHANGER
REFER TO NEXT SHEET FOR PARTS DESCRIPTION LISTING

No.	Part Number	Description
252	RP6-0499	2,62 x 5,23 OR gasket
253	RP6-0558	Deflation pushbutton
254	RP6-0559	Release pushbutton plug
255	RP6-0718	1/4" Membrane for VSC
256	RP6-7302	Rapid release body
257	RP6-7303	Rapid release cover
258	RP6-7867	TAUT 2,9 x 13 UNI 6954 screw
259	RP6-0843	1,78 x 10,82 OR gasket

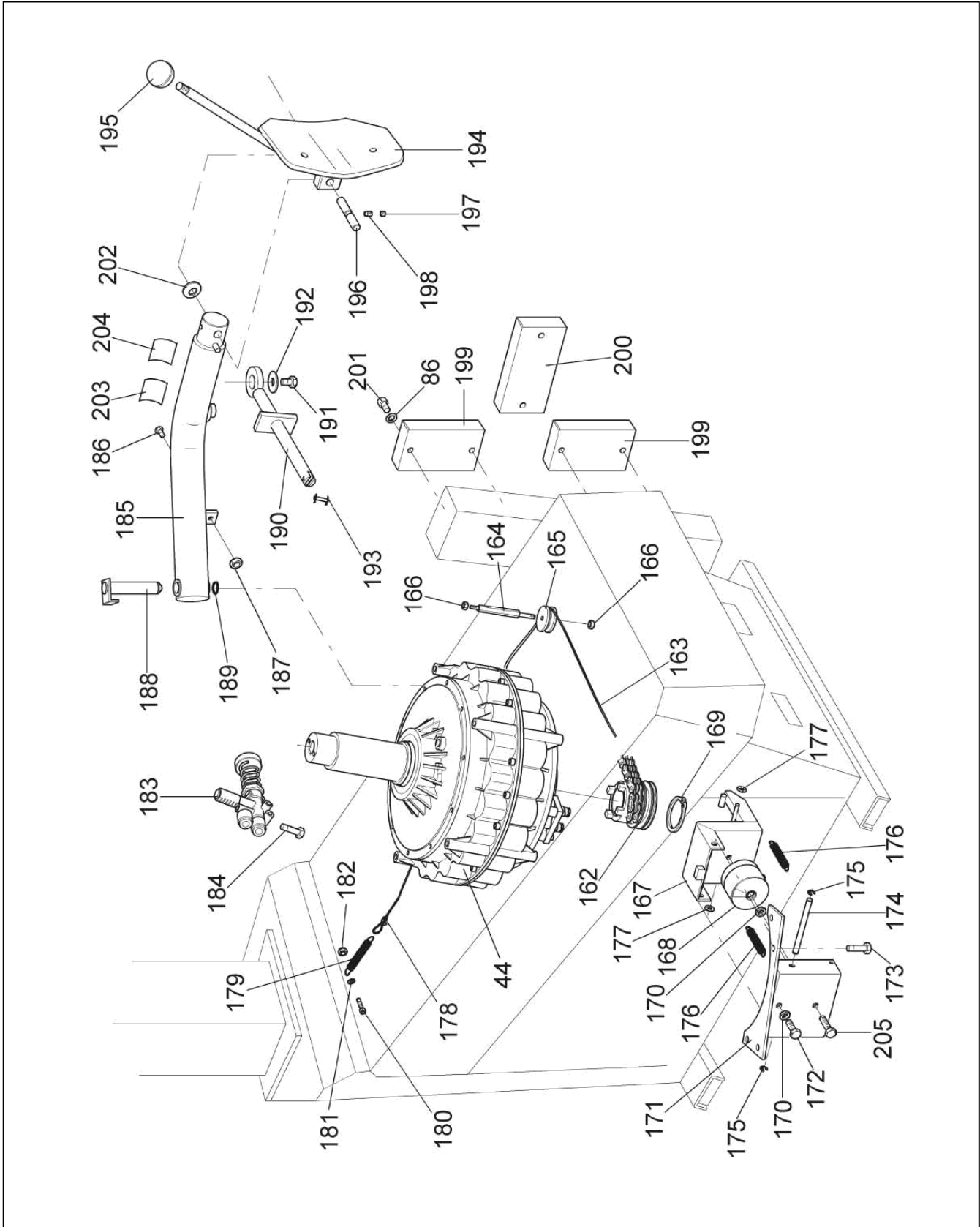
No.	Part Number	Description
260	RP6-9179	1,78 x 26,70 OR gasket
261	RP6-0556	Pressure gauge support
262	RP6-1244	TCEI M6 x 12 screw
263	RP6-7026	D.80 60 PSI pressure gauge
264	137-86-2	USA inflation hose & ¼ NPT Terminal
265	RP6-1708	8-1/4 L rotary union
266	RP6-7204	Tire valve



TC3250 TIRE CHANGER
REFER TO NEXT SHEET FOR PARTS DESCRIPTION LISTING

No.	Part Number	Description
76	RP6-0250	TCEI M6 x 16 screw
191	RP6-0318	TE M10 x 25 screw
267	RP6-2358	Control valve
268	RP6-2313	Drilled ball grip
269	RP6-2301	D. 14 x 36 x 3 washer
270	RP6-2283	M14 triblock blind nut
271	RP6-2303	TBBEI M5 x 10 screw
272	RP6-2345	Lateral guard
273	RP6-2002	4-1/8" 6520 union
274	RP6-2284	5/3 Valve
275	RP6-2346	SDW 30-38-3,6 gasket
276	RP6-2300	Tube for cylinder
277	RP6-2289	Conic roll
278	RP6-2273	Pin for roll
279	RP6-2297	Threaded column
280	RP6-2599	6430 8-1/8" union
281	RP6-0146	4:8 adapter union
282	RP6-0424	1/8"-1/8" 2525 union
283	RP6-1084	1/8" silencer 2921
284	RP6-0822	M4 autoblok nut
285	RP6-2328	Wrench for pin
286	RP6-1386	V 38,5 gasket
287	RP6-0491	D. 4,3 washer
288	RP6-3283	TBBEI M4 x 35 screw
289	RP6-9549	6-1/8" rotary L union

No.	Part Number	Description
290	RP6-2298	Bead lifter frame
291	RP6-2720	Guide ring
292	RP6-3475	2,62 x 72,69 OR gasket
293	RP6-2342	Brake ring
294	RP6-0042	HL 10 x 25 spring
295	RP6-2597	TCEI M5 x 40 screw
296	RP6-2302	D. 90 elastic ring
297	RP6-0307	D. 10,3 x 30 x 3 washer
298	RP6-2306	STEI M6 x 8 screw
299	RP6-2357	TBBEI M6 x 20 screw
300	RP6-2296	Cover for pipe
301	RP6-2304	6-1/8" L union
302	RP6-2312	TE M10 x 130 screw
303	RP6-0247	D.10,5 washer
304	RP6-0259	M10 high nut
305	RP6-2276	Lower support
306	RP6-1281	M5 autoblock nut
307	RP6-0416	TE M10 x 35 screw
308	RP6-2270	Upper support
309	RP6-2285	5/3 c valve with "C" fitting
310	RP6-2341	Cylinder flange
311	RP6-2261	Short rod
312	RP6-2259	80-73 drilled piston
313	RP6-2260	Long rod

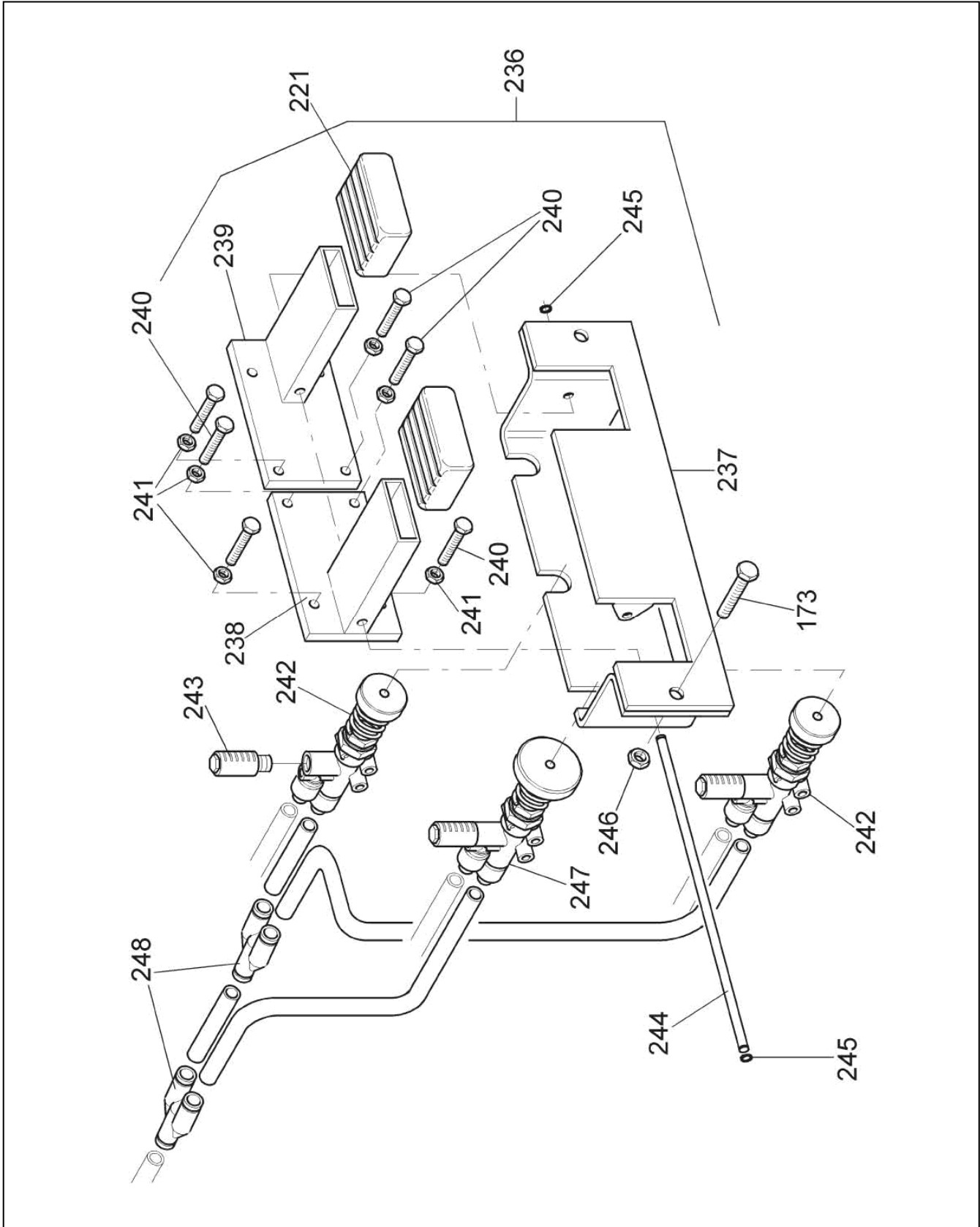


TC3250 TIRE CHANGER

REFER TO NEXT SHEET FOR PARTS DESCRIPTION LISTING

No.	Part Number	Description
44	RP6-1637	1022 "C" motor
86	RP6-0249	D. 8,4 washer
162	RP6-1646	"C" coupling
163	RP6-1631	Flexible cable
164	RP6-1618	Column
165	RP6-1617	Pulley
166	RP6-0267	M8 autoblock nut
167	RP6-1952	Lever
168	RP6-1953	Coupling roll
169	RP6-0768	D. 45 seeger ring
170	RP6-1956	M10 low nut
171	RP6-1951	Support
172	RP6-0318	TE M10 x 25 screw
173	RP6-0248	TE M8 x 20 screw
174	RP6-1954	Coupling pin
175	RP6-0552	UNI 7434 ring 7
176	RP6-0962	1,8 x 12 x 59 T spring
177	RP6-1955	6/15/0,25 lock ring
178	RP6-1732	Clamp for cable
179	RP6-0691	2 x 20 x 179 T spring
180	RP6-0280	TCEI M6 x 20 screw
181	RP6-0293	D.8,4 x 22 x 2,5 washer
182	RP6-0292	M6 autoblock nut

No.	Part Number	Description
183	RP6-2986	Arm valve
184	RP6-3216	TE M5 x 30 screw
185	RP6-40657	"C" arm
186	RP6-1389	TE M8 x 90 screw
187	RP6-0267	M8 autoblock nut
188	RP6-3174	"C" pin with bracket
189	RP6-0291	Seeger
190	RP6-1611	Tie rod
191	RP6-0318	TE M10 x 25 screw
192	RP6-0816	D.42 washer
193	RP6-0955	Pin with split
194	RP6-40642	C vane
195	RP6-12751	D50 M10 x 20 F ball knob
196	RP6-2759	Joint pin
197	RP6-2150	STEI M8x6 UNI 5923 Zn screw
198	RP6-1246	STEI M8x12 ISO 4028 Zn screw
199	RP6-0381	Rubber bearing
200	RP6-0659	L.rubber bearing
201	RP6-3143	TCTC M8 x 16 screw
202	RP6-41348	16,3 x 31,5 x 2 Belleville Washer
203	RP6-2417	Warning plate
204	RP6-2418	Warning plate
205	RP6-0416	TE M10 x 35 screw

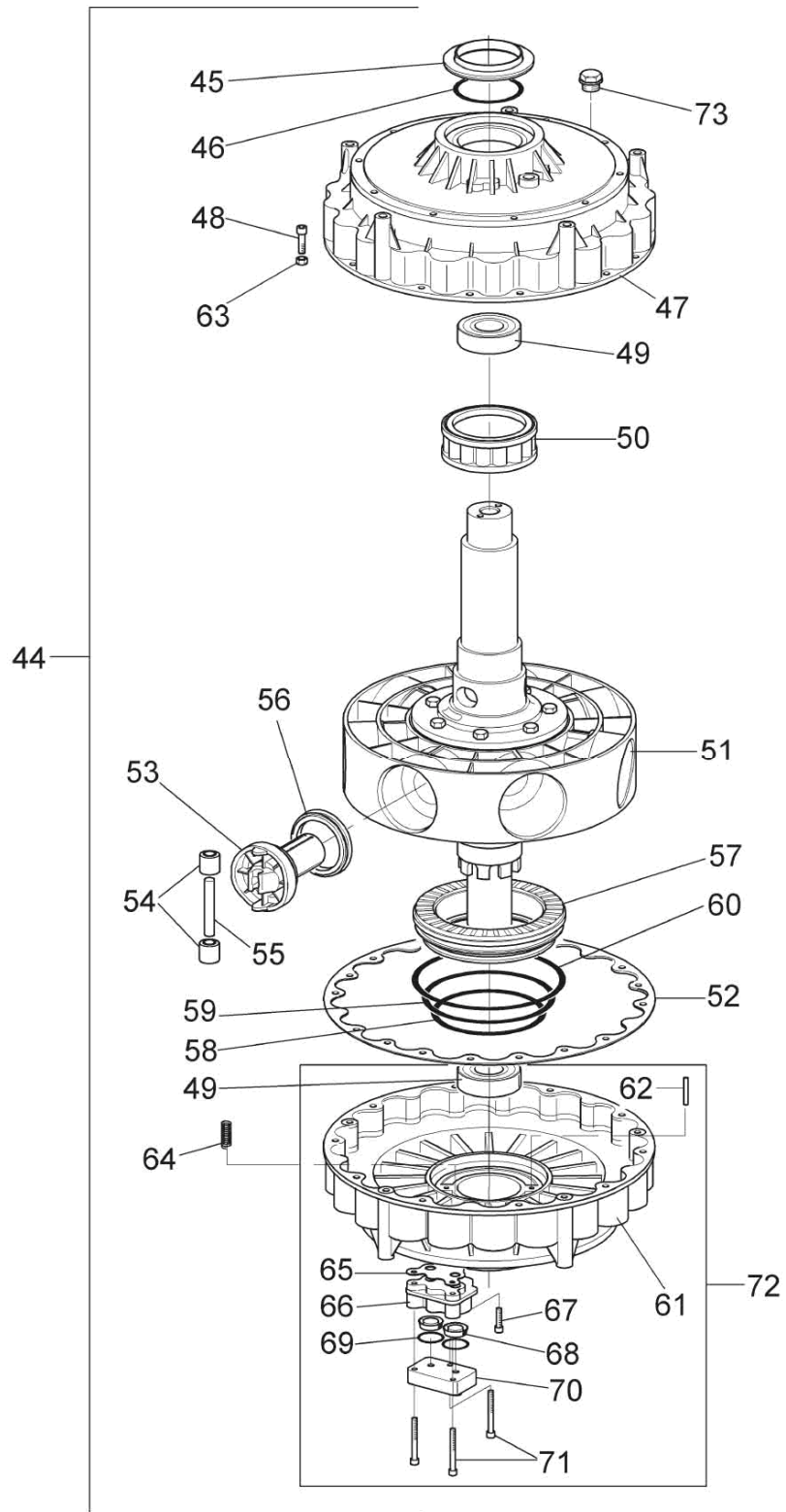


TC3250 TIRE CHANGER
REFER TO NEXT SHEET FOR PARTS DESCRIPTION LISTING

No.	Part Number	Description
173	RP6-0248	TE M8 x 20 Screw
221	RP6-0173	Pedal Protection
236	**RP6-2983	Pedal Box
237	RP6-0018	Pedal Support
238	RP6-1274	Left Pedal
239	RP6-1273	Right Pedal
240	RP6-0269	TE M6 x 20 UNI 5739 ZN Screw
241	RP6-0281	M6 UNI 5589 Low Nut

No.	Part Number	Description
242	RP6-2989	Valve Motor 3/2 Complete
243	RP6-0403	Muffler
244	RP6-0232	Pedals Shaft
245	RP6-0552	Description 3-2 Valve D. 30 Pan
246	RP6-0267	1/8" Silencer Pedal Board Pin UNI
247	RP6-2988	7434 Ring 7 M* Autoblock Nut 3-2
248	RP6-325181	Valve D. 42 Pan V8 Union

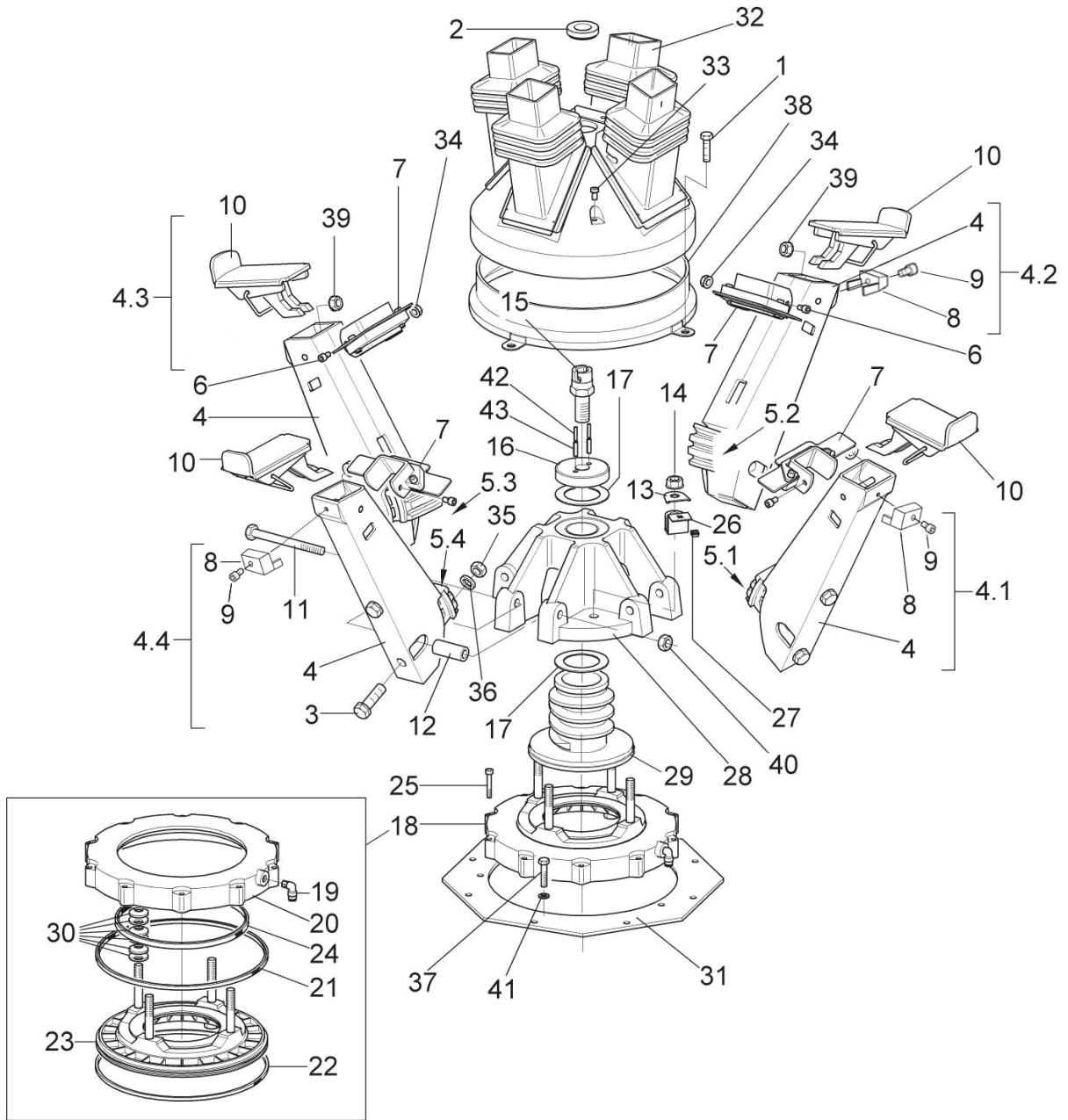
****NOT AVAILABLE AS A WARRANTY ITEM AFTER 90 DAYS PAST INSTALL DATE.**



TC3250 TIRE CHANGER
 REFER TO NEXT SHEET FOR PARTS DESCRIPTION LISTING

No.	Part Number	Description
44	RP6-1637	1022 "C" Motor
45	RP6-1986	Seal ring
46	RP6-1987	O-ring 145
47	RP6-0614	"C" upper frame
48	RP6-11346	TCEI screw M6 x 20 collar
49	RP6-0198	Bearing
50	RP6-0286	Filter
51	RP6-13817	Shaft unit + rotor
52	RP6-3866	Motor gasket
53	RP6-9174	D.70 piston with flat band
54	RP6-0045	Roll
55	RP6-0219	10 x 60 pin
56	RP6-12208	70 x 53 x 10 piston gasket
57	RP6-12999	Distributor
58	RP6-13812	O-ring 4425

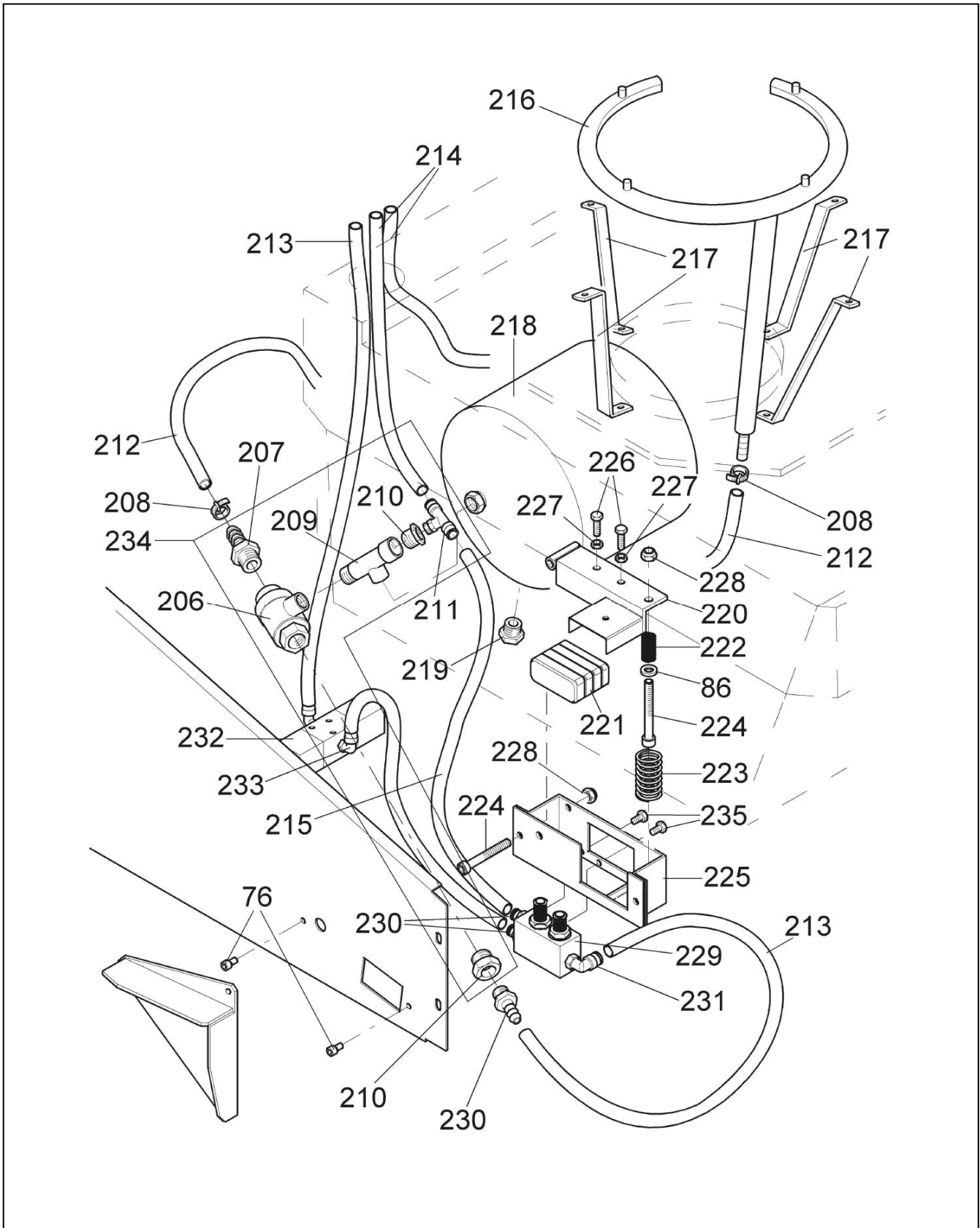
No.	Part Number	Description
59	RP6-0607	O-ring 250
60	RP6-0608	O-ring 256
61	RP6-41372	Lower frame
62	RP6-0279	Roller 4 x 29,8
63	RP6-4137	M6 biblock nut
64	RP6-0042	HL 10 x 25 spring
65	RP6-0836	Gasket for VSC
66	RP6-0716	VSC body
67	RP6-0280	TCEI M6 x 20 screw
68	RP6-0718	1/4" Membrane for VSC
69	RP6-0819	O-ring 2100
70	RP6-9218	Cover with "C" cartridges
71	RP6-0764	TCEI M6 x 45 UNI 5931 screw
72	RP6-13011	"C" lower frame
73	RP6-4183	3/8" plug+ gasket



TC3250 TIRE CHANGER
 REFER TO NEXT SHEET FOR PARTS DESCRIPTION LISTING

No.	Part Number	Description
1	RP6-0974	TE M8 x 12 DIN 6921 Zn screw
2	RP6-3422	Vs 50 front seal gasket
3	RP6-3668	TE M10 x 30 flanged screw
4	RP6-3658	Printed arm
4.1	RP6-3673	EVO arm No 1
4.2	RP6-3674	EVO arm No 2
4.3	RP6-3675	EVO arm No 3
4.4	RP6-3676	EVO arm No 4
5.1	RP6-3678	Sector gear No 1
5.2	RP6-3679	Sector gear No 2
5.3	RP6-3680	Sector gear No 3
5.4	RP6-3681	Sector gear No 4
6	RP6-3670	TCEI M8 x 65 screw
7	RP6-3659	"C" retainer for arm
8	RP6-40032	Pad
9	RP6-9670	TCEI M8 x 14 UNI 5931 Zn screw
10	RP6-8659	22" EVO rubber jaw
11	RP6-3829	TE M12 x 120 screw
12	RP6-0205	Pin for arm
13	RP6-3110	Pointer for Belleville washer
14	RP6-0611	M12 triblock nut
15	RP6-7456	Coupling Bolt
16	RP6-6041	D.77 washer
17	RP6-0051	Thrust washer
18	RP6-0354	"C" brake

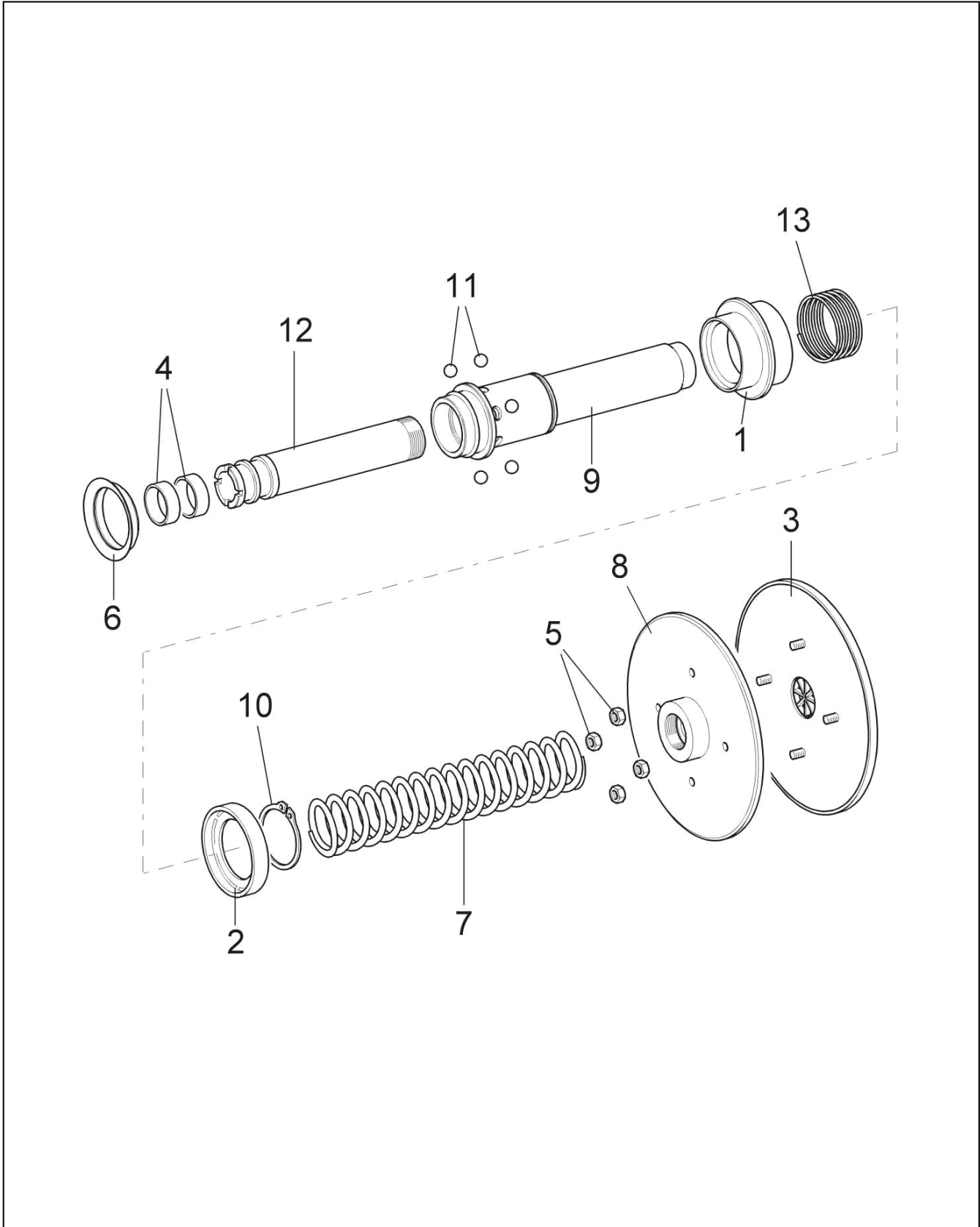
No.	Part Number	Description
19	RP6-0204	8 - 1/8" union
20	RP6-9372	Brake cylinder
21	RP6-2042	Gasket
22	RP6-2043	Guide ring
23	RP6-14194	Brake disc
24	RP6-1966	Gasket
25	RP6-0764	TCEI M6 x 45 UNI 5931 screw
26	RP6-3104	Support plate
27	RP6-3664	M6 crated nut
28	RP6-3672	EVO chuck
29	RP6-0050	Screw
30	RP6-1998	28 x 12,2 Belleville washer
31	RP6-0027	Ring
32	RP6-3663	Cover with bellows
33	RP6-3665	TCTC M6 x 12 screw
34	RP6-1814	M8 DIN 6923 Zn flanged nut
35	RP6-1812	M10 ISO 2320 Zn triblock nut
36	RP6-2638	Sector gear washer
37	RP6-0347	TE M8 x 35 screw
38	RP6-3106	Brake covering
39	RP6-1223	M8 UNI 5588 middle nut
40	RP6-2807	M12 triblok nut
41	RP6-7005	Fe A8 UNI 8842 washer
42	RP6-0615	3,5 x 20 UNI 6873 elastic pin
43	RP6-0284	6 x 20 elastic pin



TC3250 TIRE CHANGER
 REFER TO NEXT SHEET FOR PARTS DESCRIPTION LISTING

No.	Part Number	Description
76	RP6-0250	TCEI M6x16 UNI 5931 screw
86	RP6-0249	D. 8,4 washer
206	RP6-0481	VSC valve
207	RP6-0482	1/8" rubber holder
208	RP6-0475	Fe 23-35 Hose clamp
209	RP6-0476	1/2"-1/2" T union
210	RP6-0477	MF 1/2-1/4 reduction union
211	RP6-2598	6430 8-1/4" union
212	RP6-4115	Screened pipe L= 800
213	RP6-1564	8x6 black rilsan pipe L= 210
214	RP6-1569	8x6 black rilsan pipe L= 800
215	RP6-0985	8x6 black rilsan pipe L= 600
216	RP6-2356	1023 plus "C" inflation ring
217	RP6-5868	21" ring support bracket
218	RP6-0434	"C" ASME reservoir
219	RP6-1915	Plug

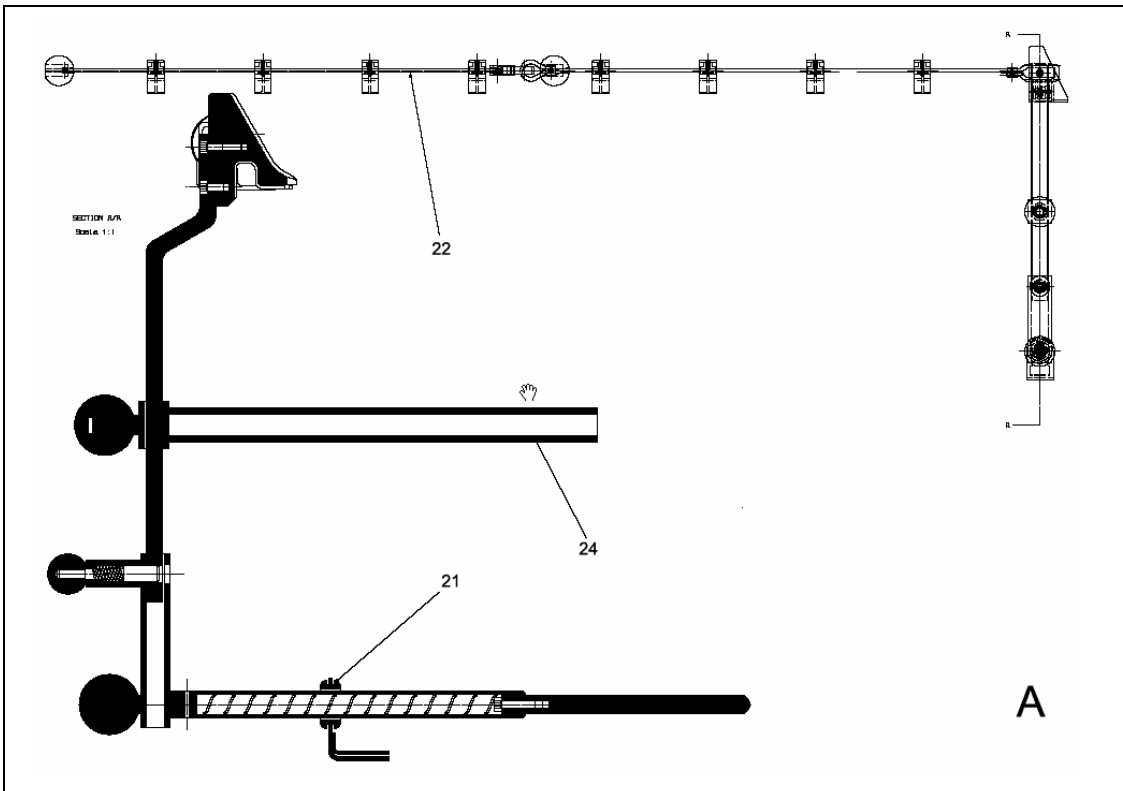
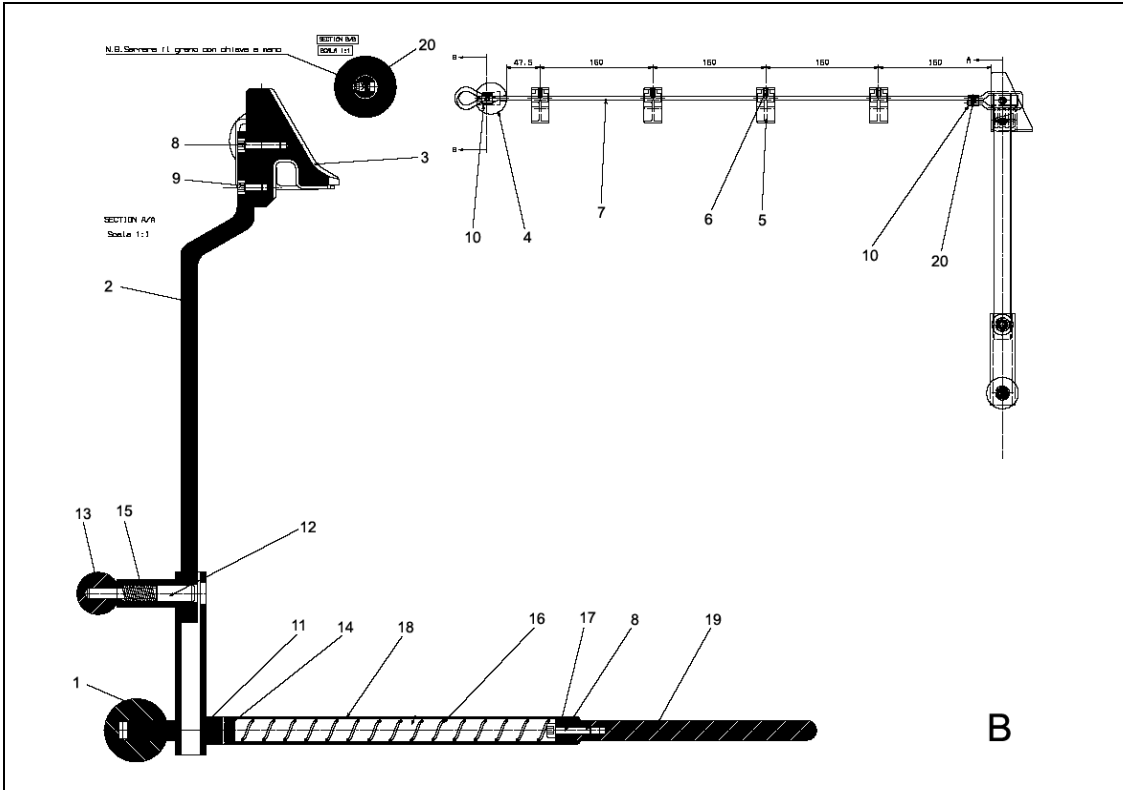
No.	Part Number	Description
220	RP6-0564	Inflation pedal
221	RP6-0173	Pedal protection
222	RP6-2364	2x12.8x38 zn C spring
223	RP6-0553	2x27x60 C spring
224	RP6-0471	TCEI M8x60 UNI 5931 screw
225	RP6-0569	Pedal support
226	RP6-0269	TE M6x20 UNI 5739 Zn screw
227	RP6-0281	M6 UNI 5589 low nut
228	RP6-0267	M8 autoblock nut
229	RP6-7304	C Two-stage valve
230	RP6-0201	8 - 1/4" fitting
231	RP6-1708	8-1/4 L rotary union
232	RP6-790090110	60 PSI regulator (integrated fittings)
233	RP6-1091	8-1/8" rotary L union
234	RP6-7148	USA "C" inflation valve
235	RP6-0628	TE M6x12 UNI 5739 zn screw



TC3250 TIRE CHANGER
REFER TO NEXT SHEET FOR PARTS DESCRIPTION LISTING

No.	Part Number	Description
	RP6-10822	Wheel Center Support/Quick Coupler (Includes:)
	RP6-7456	Coupling bolt (Not Shown)
1	RP6-10814	EVO sleeve
2	RP6-11224	Protection ring
3	RP6-10788	"C" bearing rubber base
4	RP6-2810	25-30-9.7 guide ring
5	RP6-0281	M6 UNI 5589 low nut
6	RP6-3422	Vs 50 front seal gasket

No.	Part Number	Description
7	RP6-0575	44 x 4 x 330 spring
8	RP6-10791	"C" upper bearing
9	RP6-7472	"C" lower bearing
10	RP6-0768	D. 45 seeger ring
11	RP6-10821	Ø 9.5 steel ball
12	RP6-7460	Guide pipe
13	RP6-10826	2.5 x 50 x 95 compression spring

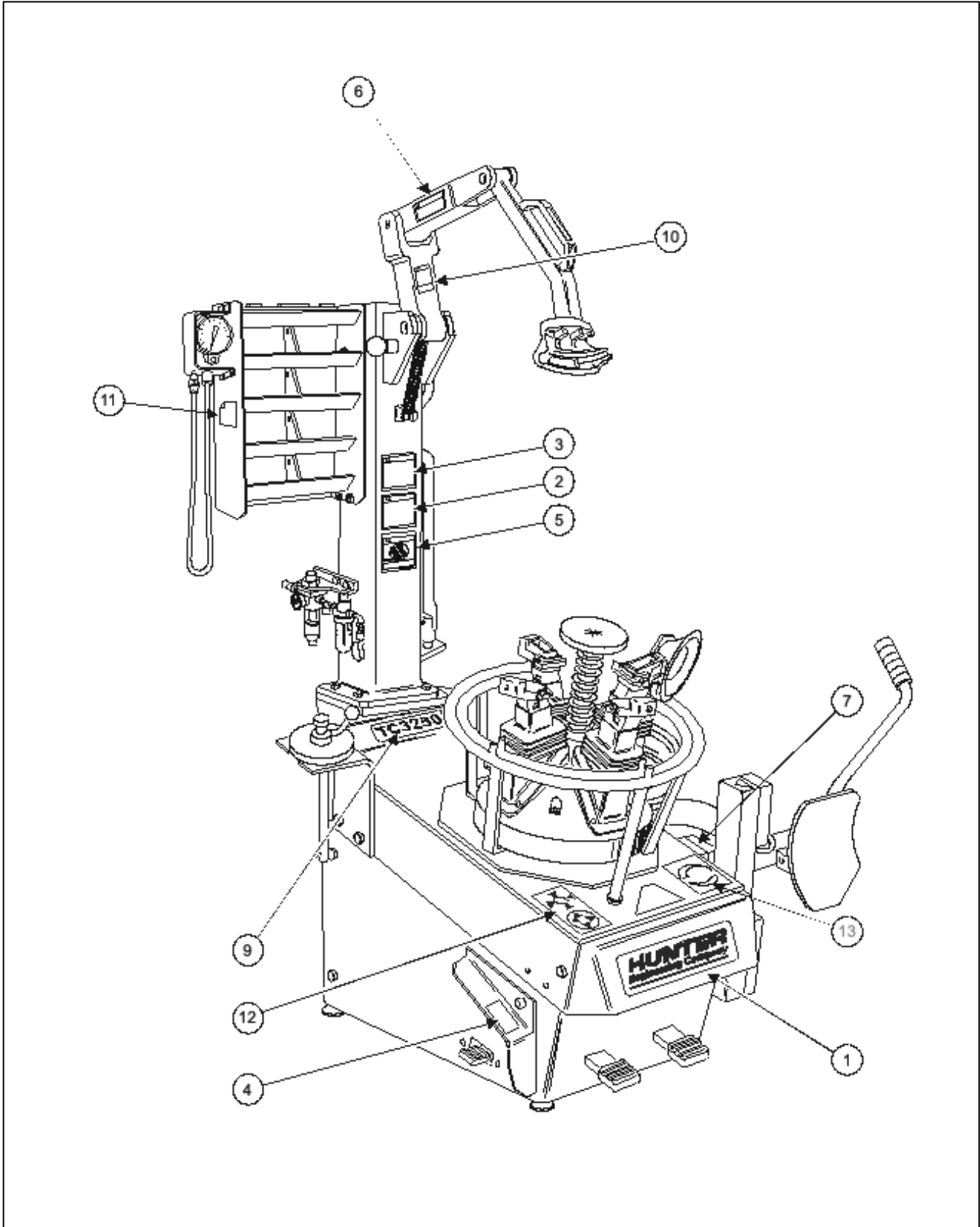


TC3250 TIRE CHANGER
REFER TO NEXT SHEET FOR PARTS DESCRIPTION LISTING

No.	Part Number	Description
A	RP6-11216	28" Bead Tail Depressor w/ Traction Bar
B	RP6-12072	28" Bead Tail Depressor w/o Traction Bar
1	RP6-0832	Ball Knob
2	RP6-11215	Arm
3	RP6-2037	Main Rubber Wedge
4	RP6-1669	Bead Pusher Knob/Ball
5	RP6-1589	Rubber Wedge
6	RP7-8045161200	Set Screw
7	RP6-1673	Rope Cord
8	RP6-1671	Screw VSTEI M6x12 UNII5931
9	RP6-1244	Screw VSTEI M6x12 UNII5931
10	RP6-1281901	Clamp
11	RP6-11212	Guide
12	RP6-8812	Plunger
13	RP6-8813	Ball 30 MM, M6
14	RP6-0803	Spine Elastic 4x20
15	RP6-8830	Spring 1.1x11.8x35
16	RP6-1667	Spring
17	RP6-1670	Plug
18	RP6-1665	Tube
19	RP6-1666	Plunger
20	RP6-11017	Screw VSTEI m8x8 UNI5929

No.	Part Number	Description
21	RP6-2164	Bracket, Bead Depressor Tool
22	RP6-11675	Rope Cord Extension
24	RP6-12068	Traction Bar

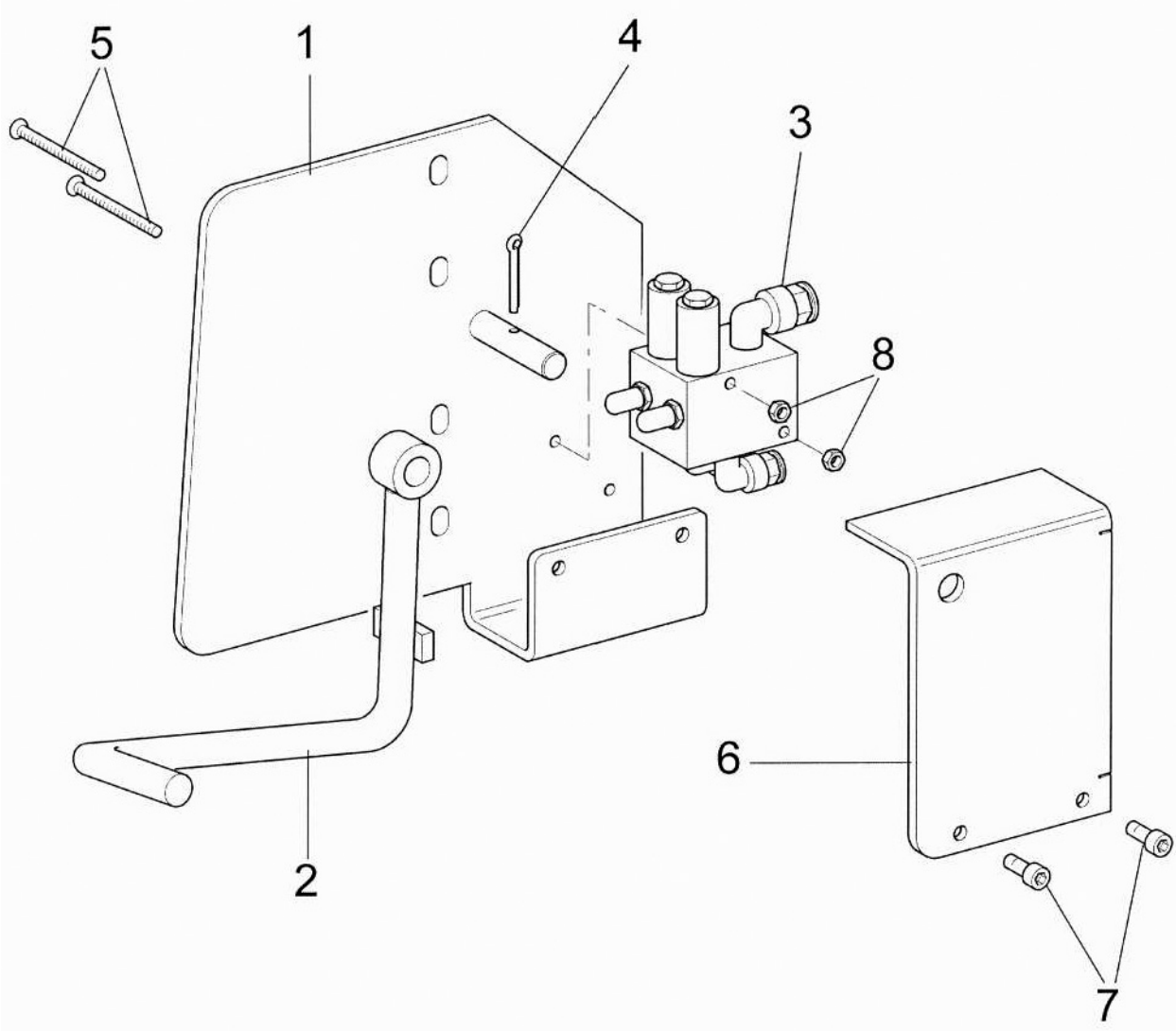




TC3250 TIRE CHANGER
REFER TO NEXT SHEET FOR PARTS DESCRIPTION LISTING

No.	Part Number	Description
1	128-279-2	DECAL, HUNTER ENGINEERING
2	128-284-2	DECAL, WARNING, READ AND
3	128-285-2	DECAL, WARNING, DO NOT EXCEED
4	128-286-2	DECAL, WARNING, ACTIVATE AIR
5	128-287-2	DECAL, WARNING, DO NOT LEAN OR
6	128-435-2	DECAL, ATTENTION REMOVE CLIP-ON

No.	Part Number	Description
7	128-436-2	DECAL, BEAD BREAKER CLAMP-DEPRESS
9	128-600-2	DECAL, TC3250
10	128-489-2	DECAL, MOUNTING ARM INCLINATION
11	128-501-2	DECAL, MANUAL BLEED VALVE
12	128-502-2	DECAL, CLAMPING DIRECTION
13	128-503-2	DECAL, ROTATION DIRECTION

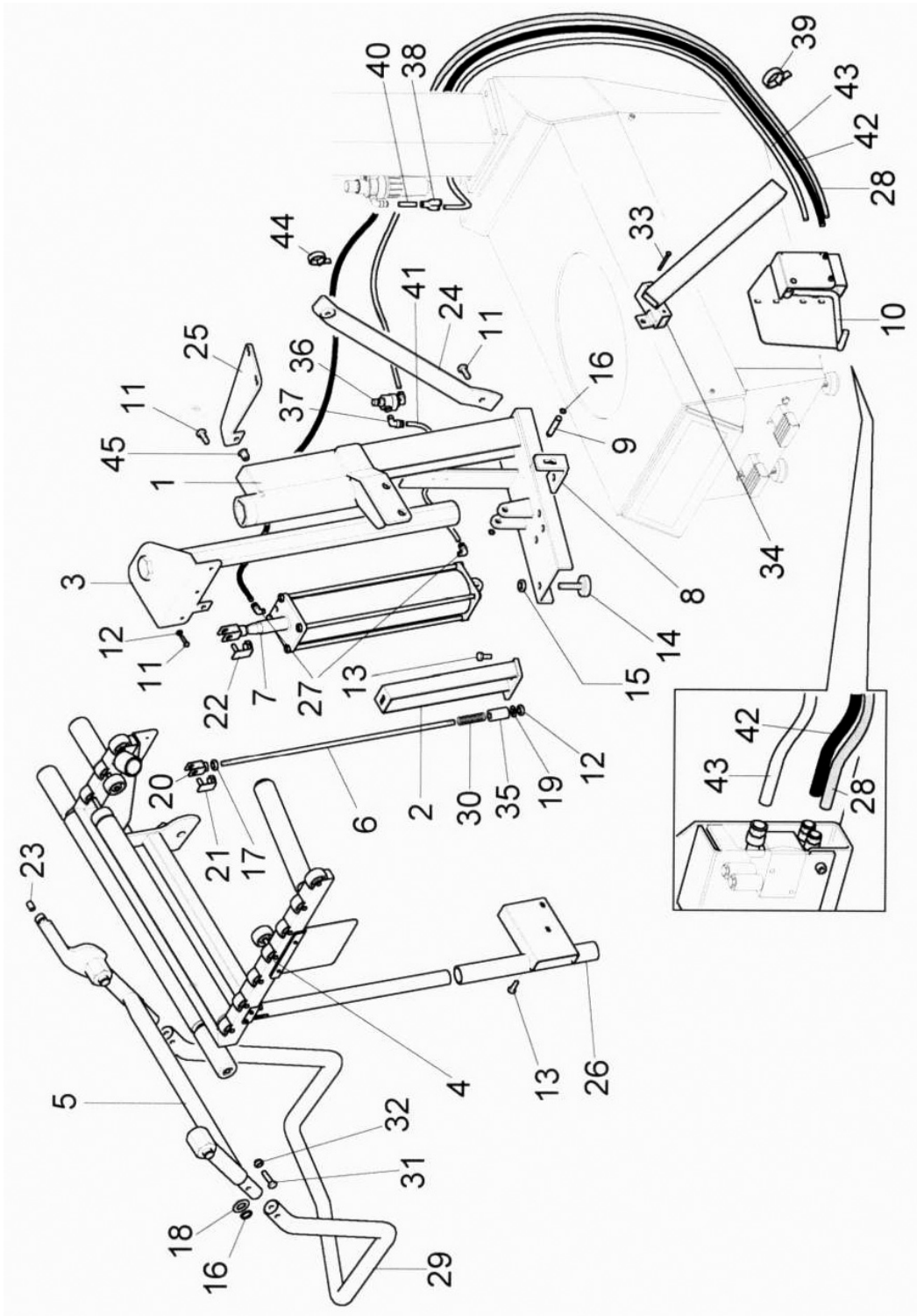


WHEEL LIFT TIRE CHANGER KIT

REFER TO NEXT SHEET FOR PARTS DESCRIPTION LISTING

No.	Part Number	Description
1	RP6-9929	Pedal Base
2	RP6-5916	Pedal
3	RP6-9362	Pedal valve
4	RP6-5915	Split locking pin

No.	Part Number	Description
5	RP6-1247	Screw M4 X 40
6	RP6-9846	Pedal cover
7	RP6-1001	Screw M45 x 8
8	RP6-1191	Nut M4

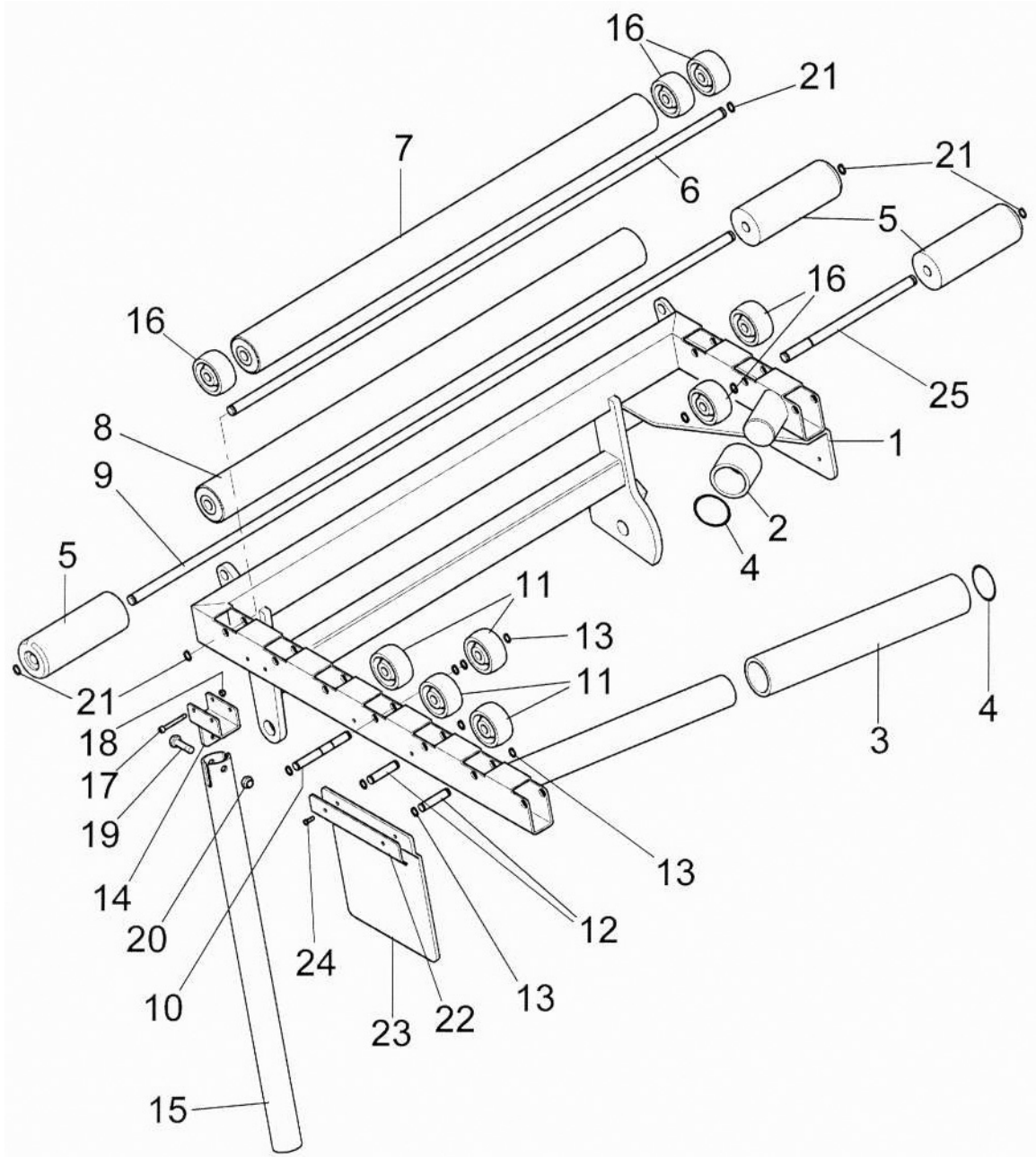


WHEEL LIFT TIRE CHANGER KIT

REFER TO NEXT SHEET FOR PARTS DESCRIPTION LISTING

No.	Part Number	Description
1	RP6-9301	Frame
2	RP6-9310	Rod support
3	RP6-9314	Shaft with plate
4	RP6-9485	Support with rollers
5	RP6-9924	Tilting frame
6	RP6-9344	Tilting rod
7	RP6-9345	Cylinder
8	RP6-9343	Lower anular plate
9	RP6-9350	Shaft D. 16 for cylinder
10	RP6-9361	Pedal complete
11	RP6-6386	Screw M8 x 25 flanged
12	RP6-2000	M8 self locking nut
13	RP6-0974	Screw M8x12
14	RP6-0013	Rubber foot
15	RP6-0266	Nut M12
16	RP6-1387	Circlip D.16
17	RP6-0257	Nut M8
18	RP6-0770	Washer 16 x 22 x 1
19	RP6-0293	Washer 8 x 22 x 2.5
20	RP6-0734	Fork M8 x 16
21	RP6-5387	Shaft with clip M8 x 16
22	RP6-5958	Shaft with clip M10 x 20
23	RP6-9502	Bushing DU 8 x 10 x 8

No.	Part Number	Description
24	RP6-9498	Rear rod
25	RP6-9480	Rod for column
26	RP6-9491	Front guide C
27	RP6-9549	Fixation plate
28	RP6-1247	Screw M8 x 20
29	RP6-9334	Protected wheel support
30	RP6-11176	Spring C2 x 16 x 90
31	RP6-0796	Screw m8 x 40
32	RP6-0267	Self locking nut M8
33	RP6-0262	Screw M8 x 50
34	RP6-11447	Distantail lever funnel
35	RP6-11177	Distantial for rod
36	RP6-10831	Quick release 1/8
37	RP6-2304	Connector L6- 1/8
38	RP6-325181	Connector V d.8
39	RP6-5717	Hose tightener
40	RP6-1857	Hose 8 x 6 L= 40mm black
41	RP6-11194	Hose 6 x 4 L= 95mm black
42	RP6-11172	Hose 6 x 4 L= 1450mm black
43	RP6-0760	Hose 8 x 6 L= 1400mm black
44	RP6-0178	Black Hose Clamp
45	RP6-5569	Threaded insert M8



WHEEL LIFT TIRE CHANGER KIT

REFER TO NEXT SHEET FOR PARTS DESCRIPTION LISTING

No.	Part Number	Description
1	RP6-9319	Wheel support
2	RP6-9486	Roller D. 40 x 3 L=43 mm
3	RP6-9487	Roller D. 40 x 3 L=237 mm
4	RP6-9488	Gasket 3,53 x 25,8
5	RP6-9489	Side roller
6	RP6-9490	Shaft D. 10 for rollers
7	RP6-5474	Roller D. 40 L=528 mm
8	RP6-5473	Roller D. 40 L=488 mm
9	RP6-9507	Shaft D. 10 for rollers
10	RP6-9465	Shaft D. 8
11	RP6-5524	Roller D. 39
12	RP6-5523	Short shaft for roller
13	RP6-0268	Circlip D. 8

No.	Part Number	Description
14	RP6-9495	Rod support
15	RP6-9494	Rod for guide
16	RP6-5248	Roller D. 39
17	RP6-0764	Screw M6 x 40
18	RP6-0292	Self locking nut M8
19	RP6-0796	Ring D. 10
20	RP6-0267	Plate for rubber
21	RP6-0543	Circlip D.10
22	RP6-9500	Screw M5 x 10
23	RP6-9501	Shaft D. 10 L=168mm
24	RP6-5794	Screw M5 x 10
25	RP6-11173	Shaft D. 10 L=168mm