



# Telephone Module with Bluetooth<sup>®</sup> (SAP profile)

Operating instructions

Order number 6515 6959 00 Part number A 212 584 65 02 Z100  
Edition/year amended 2015-1



Mercedes-Benz

## Information and Copyright

### Internet

Further information on the telephone module, Mercedes-Benz vehicles and Daimler AG can be found online at:  
<http://www.mercedes-benz.com/connect>  
<http://www.mercedes-benz.com>  
<http://www.daimler.com>

### Documentation team

Should you have questions or comments relating to these operating instructions, you can contact our technical documentation team at the following address:

Daimler AG, HPC: R822,  
D-70546 Stuttgart

Time of going to print: 08.07.2015

Not to be reprinted, translated or otherwise reproduced, in whole or in part, without the written permission of Daimler AG.







## Symbols

---

In these operating instructions you will find the following symbols:

### **WARNING**

Warning notes draw your attention to hazards that may endanger your health or your life, or the health or life of others.

-  Notes on material damage draw your attention to dangers that could lead to damage to your vehicle.
-  Useful instructions or further information that could be helpful to you.
-  This symbol shows an instruction you must follow.
-  Several consecutive symbols of this kind indicate an instruction with several steps.
-  This symbol tells you where you can find further information on a topic.
-  This text indicates a message in the multifunction display.

## **Welcome to the World of Mercedes-Benz**

---

First of all, familiarise yourself with your Mercedes-Benz telephone module with Bluetooth® (SAP profile). Read this Supplement, in particular the safety and warning notes, before you use the telephone module. This will help you to get the most out of This will help you to get the most out of This will help you to get the most out of your telephone module and avoid endangering yourself and others.

Mercedes-Benz is continuously updating its accessories to meet the state of the art. This description may therefore, in some individual cases, deviate from your telephone module.

The technical documentation team at Daimler AG wishes you safe and pleasant motoring.

<b>Operating safety</b> .....	4
<b>Qualified specialist workshops</b> .....	4
<b>Scope of delivery</b> .....	4
<b>Validity of the Supplement</b> .....	4
<b>Overview of functions</b> .....	5
<b>Important information</b> .....	5
<b>Overview of system variants</b> .....	6
System variant A (COMAND Online).....	6
System variant B .....	6
System variant C .....	7
<b>Preparation</b> .....	7
Fitting the telephone module.....	7
Activating the telephone module.....	7
Telephone module in SIM card operation .....	10
Authorising a mobile phone.....	10
Connecting a mobile phone to the telephone module.....	13
<b>Usage</b> .....	15
Using the telephone module as a data modem .....	15
Telephone module settings .....	15
Transferring the phone book .....	18
Speed dial buttons .....	18
SMS (text messages).....	18
Disconnecting the telephone module from a mobile phone .....	19
Charging a mobile phone.....	19
<b>Restoring factory settings on the telephone module</b> .....	19
<b>Removing the telephone module</b> .....	19
<b>Deactivating the telephone module</b> ...	20

## Operating safety

### WARNING

When operating mobile communications equipment in the vehicle, observe the legal regulations of the country you are currently in.

If it is permitted by law to operate mobile communications equipment while the vehicle is in motion, you may still only do so if traffic conditions permit this. You could otherwise be distracted from traffic conditions and lose control of the vehicle, potentially injuring yourself and others.

Two-way radios or fax machines without low-reflection exterior aerials may interfere with the vehicle's electronics, thereby jeopardising the operating safety of the vehicle and your own safety. For this reason, only use such equipment if it is properly connected to a separate, low-reflection exterior aerial.

The telephone module can become very hot when the outside temperature is high.

Do not open the bracket and do not attempt to make modifications to the telephone module. The operating permit will otherwise be rendered invalid.

## Qualified specialist workshops

A qualified specialist workshop has the necessary professional expertise, tools and qualifications for performing the required work on the telephone module.

A qualified specialist workshop must perform service, maintenance and repair work in line with Daimler AG regulations, and must document this work accordingly. If these requirements are not observed, warranty claims may be rendered void.

Only have warranty-based and ex gratia work carried out in authorised workshops/Service Centres.

Mercedes-Benz recommends that you use a Mercedes-Benz Service Centre.

## Scope of delivery

The following components make up the scope of delivery:

- Mercedes-Benz telephone module with Bluetooth® (SAP profile)
- Supplement

## Validity of the Supplement

This Supplement is valid for vehicles with:

- Basic fitting for mobile phone with interface (convenience telephony), code 386
- Telephone module with Bluetooth® (SAP profile), code 379.

## Overview of functions

The telephone module can be used as an integrated telephone with its own SIM card (▷ page 10) or in conjunction with a mobile phone (▷ page 10).

The telephone module supports:

- Hands-free mode
- Data modem operation<sup>1</sup> (▷ page 15)
- Sending<sup>1</sup> and receiving text messages (▷ page 18)
- Accessing the mobile phone's phone book (▷ page 18)
- Mobile phone charging (▷ page 19)

If you use the telephone module in conjunction with your mobile phone, the mobile phone must support the SAP (SIM Access Profile) Bluetooth<sup>®</sup> profile. Using the SAP profile, all telephone functions are transferred to the telephone module.

If the connected mobile phone supports the PBAP (Phonebook Access Profile) Bluetooth<sup>®</sup> profile, the telephone module downloads the existing call lists<sup>2</sup>.

The telephone module makes use of the vehicle's exterior aerial and provides the best possible speech quality and internet connectivity.<sup>2</sup>

Further information on the telephone module and a list of compatible mobile phones are available online at:

<http://www.mercedes-benz.com/connect>

## Important information

This Supplement makes reference to the COMAND Online and Audio operating instructions as well as the vehicle Owner's Manual and the operating instructions of the mobile phone. Please keep these to hand for reference.

If difficulties arise during fitting, contact a qualified specialist workshop (▷ page 4).

Mobile phone manufacturers constantly update your mobile phones to the latest version. For this reason, deviations from these operating tips are possible.

When the vehicle is unlocked, a Bluetooth<sup>®</sup> connection between an authorised mobile phone and the telephone module can be established automatically. Phone calls cannot be made using the hands-free system until COMAND Online/the system has been switched on. Certain changes to the SIM card settings are not possible using the telephone module. Examples include call forwarding, call waiting and text message parameters. Changes to these settings must be made directly on the inserted SIM card in the mobile phone, see the operating instructions of the mobile phone.

<sup>1</sup> Not possible for all systems.

<sup>2</sup> Phone calls made using the telephone module are not stored in the mobile phone's call list.

**Overview of system variants**

This Supplement describe the telephone module in terms of the different COMAND Online and audio systems. The following descriptions in this Supplement contain corresponding notes on the given system variants.

- ▶ Check which system is in your vehicle.

**System variant A (COMAND Online)**

- ▶ Switch on COMAND Online/the audio system and select **Telephone**.
- ▶ If available, select **Connect device**.

If the menu item **Connect MB SAP module** or **Disconnect MB SAP module** appears in the COMAND Online/audio system display, the vehicle is equipped with system variant A.

**System variant B**

- ▶ If your vehicle corresponds to one of the following model series/years of construction, it is equipped with system variant B.

Model	Year of construction <b>from</b>	Year of construction <b>to</b>
A-Class Saloon	06/2008	
B-Class Sports Tourer	06/2008	11/2011
CLC-Class Coupé	09/2009	05/2011
C-Class Saloon	03/2007	02/2011
C-Class Estate	09/2007	02/2011
CL-Class Coupé	06/2009	
CLS-Class	03/2008	06/2011
E-Class Cabriolet	03/2010	06/2011
E-Class Coupé	04/2009	06/2011
E-Class Estate	06/2008	06/2011
E-Class Saloon	06/2008	06/2011
CLS-Class Coupé <sup>1</sup>	07/2011	
E-Class Cabriolet <sup>1</sup>	07/2011	
E-Class Coupé <sup>1</sup>	07/2011	

Model	Year of construction <b>from</b>	Year of construction <b>to</b>
E-Class Estate <sup>1</sup>	07/2011	
E-Class Saloon <sup>1</sup>	07/2011	
GL-Class off-road vehicle	09/2008	
GLK-Class off-road vehicle	10/2008	
M-Class off-road vehicle	09/2008	07/2011
R-Class SUV Tourer	09/2008	
S-Class Saloon	06/2009	
SL-Class Roadster	04/2008	
SLK-Class Roadster	04/2008	01/2011
SLS AMG Coupé	03/2010	
SLS AMG Roadster	10/2011	

<sup>1</sup> Only applies to Audio 20 and Audio 50.



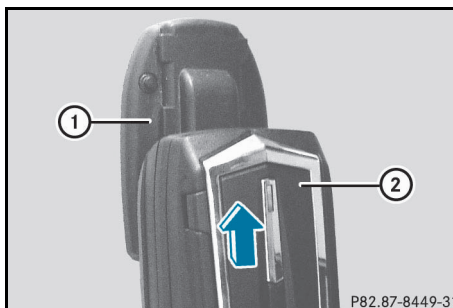
### System variant C

- If your vehicle corresponds to one of the following model series/years of construction, it is equipped with system variant C.

Model	Year of construction	Year of construction
	from	to
A-Class Saloon	11/2004	05/2008
B-Class Sports Tourer	06/2005	05/2008
CLC-Class Coupé	04/2004	05/2008
C-Class Saloon	04/2004	02/2007
C-Class Estate	04/2004	08/2007
CL-Class Coupé	09/2006	05/2009
CLK-Class	06/2005	10/2009
CLS-Class	10/2004	02/2008
E-Class Estate	06/2006	05/2008
E-Class Saloon	06/2006	05/2008
GL-Class	06/2006	08/2008
M-Class	04/2005	08/2008
R-Class SUV Tourer	01/2006	08/2008
S-Class Saloon	09/2005	05/2009
SL-Class Roadster	03/2006	03/2008
SLK-Class Roadster	03/2004	03/2008

### Preparation

#### Fitting the telephone module



- Push telephone module ② into fixture ① until it engages audibly.

#### Activating the telephone module

##### General notes

The telephone module need only be activated if the vehicle is equipped with system variant A (COMAND Online) (► page 6).

For first-time use with a mobile phone, the mobile phone must be activated on the telephone module. After this initial activation, the two devices will be connected to each other automatically in the vehicle with every startup.

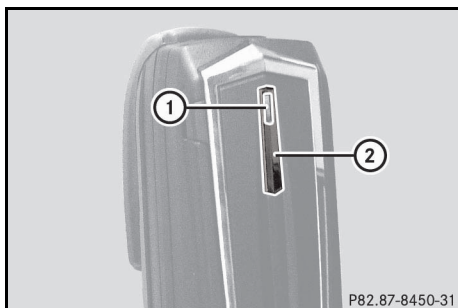
- Press the **TEL** button repeatedly until the basic telephone menu appears, then select **Telephone**.
- Fit the module (► page 7).
- Switch to the menu bar: slide **☉** to the controller.
- Select **Connect device** or **Connect MB SAP module**.

If your vehicle is equipped with a Mercedes-Benz business phone, you can connect the module as a **COMAND phone** or **Business phone**.

- Where applicable, select **COMAND phone** or **Business phone**.

The **COMAND device list** appears.

- ▶ Select **Connect MB SAP module**.
  - or
  - ▶ Select **Activate MB SAP module**.
- The following message is displayed: **To connect your MB SAP module, please ensure that it is connected and activated.**

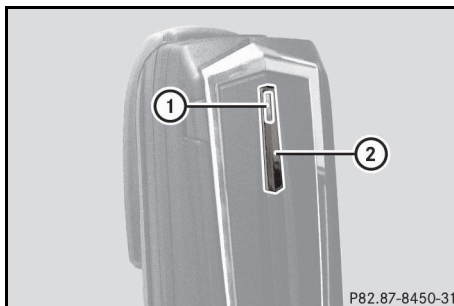


- ▶ Press and hold button (2).  
Indicator lamp (1) lights up in white.
  - ▶ Release the button as soon as indicator lamp (1) flashes yellow.
  - ▶ Select **Start search**.
- The **Searching for an active MB SAP module...** message appears.
- If the module has been located and the connection has been established, the **COMAND device list** or „SAP phone search“ is displayed.
- MB SAP module phones** is highlighted.
- The module is now activated and connected in COMAND Online.
- If no module has been located repeat the process. Ensure that the module is fitted correctly and that indicator lamp (1) on the module is flashing yellow.
- You can activate the telephone module on up to eight vehicles with COMAND Online /audio system. The settings will remain stored in the telephone module.

## Activating and connecting the telephone module

For first-time use with a mobile phone, the mobile phone must be activated on the telephone module. After this initial activation, the two devices will be connected automatically in the vehicle with every startup.

- ▶ Press the **TEL** button repeatedly until the basic telephone menu appears, then select **Telephone**.
  - ▶ Fit the telephone module (▷ page 7).
  - ▶ Switch to the menu bar: slide **☉** ↓ the controller.
  - ▶ For first-time activation: Select **Activate MB SAP module**.
  - ▶ Select **Connect device** or **Connect MB SAP module**.
  - ▶ Depending on vehicle equipment, select **COMAND phone** or **Business phone**.  
The **COMAND device list** appears.
  - ▶ For first-time activation: Select **Activate MB SAP module**.
  - ▶ Select **Connect MB SAP module**.
- The following message is displayed: **To connect your MB SAP module, please ensure that it is connected and activated.**



- ▶ Press and hold button (2).  
Indicator lamp (1) lights up in white.

You can activate the telephone module on up to eight vehicles with COMAND Online/ an audio system. The settings will remain stored in the telephone module.

- ▶ As soon as indicator lamp ① flashes yellow, release button ②.

If indicator lamp ① does not flash yellow, the telephone module has not been recognised. Check that the telephone module is fitted correctly, then repeat the process.

- ▶ Select **Start search**.

The **Searching for an active MB SAP module...** message appears.

If the telephone module has been located and connected, the **MB SAP module connection successful** message appears.

An authorisation menu appears for the mobile phone.

If you wish to authorise a mobile phone:

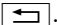
- ▶ Select **Start search** follow the COMAND Online/audio system instructions.

or

- ▶ Select **Search for phones**.
- ▶ Select **SAP phone**.
- ▶ Select **Start search**.

Further information on authorising a mobile phone (▷ page 10).

If you do not wish to authorise a mobile phone:

- ▶ Select .

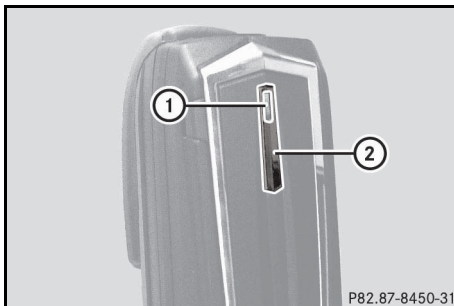
The **COMAND device list** is displayed.

Further information on authorisation (▷ page 10).

## Changing connections

If your vehicle is equipped with a Mercedes-Benz business phone, you can connect the telephone module as either a **COMAND phone** or a **Business phone**.

To change connections, the telephone module must have already been activated and connected (▷ page 8).



- ▶ Remove the telephone module (▷ page 19).
- ▶ Press the **TEL** button repeatedly until the basic telephone menu appears, then select **Telephone**.
- ▶ Select **Connect device** and then **COMAND phone** or **Business phone**.
- ▶ Select the **MB SAP module phones** menu.
- ▶ Select the list symbol on the right, beside **Activate MB SAP module**.
- ▶ Select **Disconnect MB SAP module** and confirm by pressing **Yes**.
- ▶ Exit the **COMAND device list**.
- ▶ Fit the module (▷ page 7).
- ▶ Press and hold button ②.
- ▶ As soon as indicator lamp ① flashes yellow, release button ②.  
Indicator lamp ① continues to flash yellow.
- ▶ Select **Activate MB SAP module** or **Connect MB SAP module** and then **COMAND phone** or **Business phone**.

P82.87-8450-31

- ▶ Select **Connect MB SAP module**.

The following message is displayed: **To connect your MB SAP module, please ensure that it is connected and activated.**

- ▶ Select **Start search**.

The **Searching for an active MB SAP module...** message appears.

When the module has been located and connected, the **MB SAP module connection successful** message appears.

An authorisation menu appears for the mobile phone. Further information on authorisation (▷ page 10).

### Telephone module in SIM card operation

Use the telephone module as a SIM card telephone if:

- your mobile phone is not compatible
- you own a separate SIM card

In SIM card operation, a Bluetooth® connection to your mobile phone is not possible.



- ▶ To insert: with the contact area facing down, insert SIM card ① into the SIM card slot until it engages.
- ▶ To remove: push SIM card ① and then release.

### Authorising a mobile phone

#### General notes

When you use your mobile phone with the telephone module and COMAND/the audio system for the first time, you must first search for the mobile phone and authorise it. If your mobile phone is already authorised, the most recently connected mobile phone is found and automatically connected.

You can authorise a maximum of 15 mobile phones. The Bluetooth telephone list indicates the currently connected mobile phone with a dot •.

You can adjust your settings so that the mobile phone PIN is saved to the telephone module (▷ page 15).

#### Requirements

You can authorise and connect your mobile phone on the telephone module if:

- the module is fitted (▷ page 7) and activated in COMAND/audio system (▷ page 7)
- there is no SIM card inserted in the telephone module (▷ page 10)
- the mobile phone is not actively connected to another device via Bluetooth®
- the mobile phone supports the SAP (SIM Access Profile) Bluetooth® profile.

For checking and changing additional mobile phone settings, see the operating instructions of the mobile phone:

- Bluetooth® must be active on the mobile phone and visibility must be activated for other devices.
- The mobile phone's SAP Bluetooth® profile must be activated.
- You must know your mobile phone's Bluetooth® name.

## Procedure for vehicles with variant A (COMAND Online)

### Authorising the mobile phone

- ▶ Fit the telephone module (▷ page 7).
- ▶ Press the **TEL** button repeatedly until the basic telephone menu appears, then select **Telephone**.
- ▶ Select **Telephone/Connect device** and confirm your selection.
- ▶ Select **SAP phone/Phones on the MB SAP module**.
- ▶ Select **Update/Search for phones**.

or

- ▶ Select **Search for phones and SAP telephone**.
- ▶ Select **Start search**.  
The Bluetooth® names of the mobile phones in reception range appear.
- ▶ Select the mobile phone that you wish to authorise.  
An entry prompt for a 16-digit PIN appears.
- ▶ Enter a 16-digit PIN of your choice and confirm your selection.
- ▶ When requested, enter the same 16-digit PIN into the mobile phone within the 20 second time limit.
- ▶ Depending on the mobile phone you are using, it may be necessary to confirm the telephone module's connection request on the mobile phone.

For the purposes of the connection request from the telephone module, the mobile phone must be set to „automatic“/ „authorised yes“, see the operating instructions of the mobile phone.

- ▶ In COMAND Online/audio system, enter the SIM card PIN and confirm.

If authorisation is successful, a message appears confirming the mobile phone has been authorised.

## Switching between mobile phones

If you have authorised several mobile phones on the telephone module, you can switch between individual mobile phones.

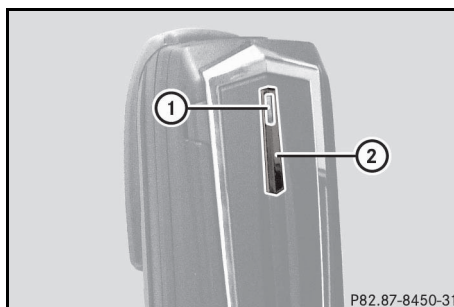
- ▶ End any active telephone conversations.
- ▶ Select the desired mobile phone in the **COMAND device list**, under **MB SAP module phones**.

If the selected mobile phone is within Bluetooth® range and Bluetooth® is activated, the phone will be located and connected.

- ▶ Confirm the telephone module's connection request on the mobile phone, see operating instructions of the mobile phone.
- ▶ If necessary, enter the SIM card PIN into COMAND Online/audio system, and confirm it.

## Procedure for vehicles with system variant B and C

- ▶ Fit the telephone module (▷ page 7).
- ▶ Call up the telephone menu, see the separate operating instructions.
- ▶ If available: select convenience telephony, see the separate operating instructions.



- ▶ Wait until indicator lamp ① lights up.
- ▶ Press button ② for approximately three seconds.

or

- ▶ If a mobile phone is connected and the telephone module is registered online: Call „0001“.

If an existing Bluetooth connection has been severed because button 2 has been pressed, the telephone module then registers itself again.

- ▶ As soon as the Bluetooth® connection is available, select the list of dialled numbers, see separate operating instructions.

### Procedure for vehicles with system variant B

- ▶ Select the „CONNECT PHONE“ text message and call the number of the sender.

or

- ▶ If only the telephone number of the received text message appears: Select **Options/Display text** and call the sender.  
The telephone module searches for SAP phones.
- ▶ Once the search is complete, select the text message function.
- ▶ Select the text message for the mobile phone which you intend to authorise and open it. A phone number is displayed. This is also the 16-digit PIN.
- ▶ Select the displayed PIN and then select **Call sender** and confirm your selection.
- ▶ When requested, enter the displayed PIN into the mobile phone within the 20 second time limit. If the authorisation is successful, a tone with an ascending melody sounds.
- ▶ Depending on the mobile phone you are using, it may be necessary to confirm the telephone module's connection request on the mobile phone.  
For the purposes of the telephone module's connection request, the mobile phone must be set to „automatic“/ „authorised yes“, see the operating instructions of the mobile phone.

- ▶ If necessary, enter the SIM card PIN into COMAND Online/audio system and confirm.

### Procedure for vehicles with system variant C

- ▶ In the call list, select and dial the **CONNECT PHONE** entry.

The telephone module searches for SAP phones.

- ▶ Once the search is complete, select the call list again.
- ▶ In the call list, select the number of the mobile phone you intend to authorise. The displayed number is also the 16-digit PIN.

If more than ten mobile phones are found, search through the call list in the following order:

- recently dialled numbers
- missed calls
- received calls

If the phone number is not displayed in its entirety, press the NUM button on the audio system and switch to the multifunction display.

- ▶ Make a note of the 16-digit PIN.
- ▶ Call the displayed phone number.
- ▶ When requested, enter the displayed PIN into the mobile phone within the 20 second time limit. If the authorisation is successful, a tone with an ascending melody is sounded.
- ▶ Depending on the mobile phone you are using, it may be necessary to confirm the telephone module's connection request on the mobile phone.  
For the purposes of the telephone module's connection request, the mobile phone must be set to „automatic“/ „authorised yes“, see the operating instructions of the mobile phone.
- ▶ If necessary, enter the SIM card PIN into COMAND and confirm it.

## Connecting a mobile phone to the telephone module

Establishing a Bluetooth® connection between a mobile phone and the telephone module is only possible if:

- there is no active Bluetooth® connection between the telephone module and another mobile phone
- there is no active SAP or HFP Bluetooth® connection between the telephone module and another device
- there is no SIM card in the telephone module

While there is an active Bluetooth® connection between a mobile phone and the telephone module, telephone functions can only be used on the telephone module. Telephone functions on the connected mobile phone are rendered temporarily inactive.

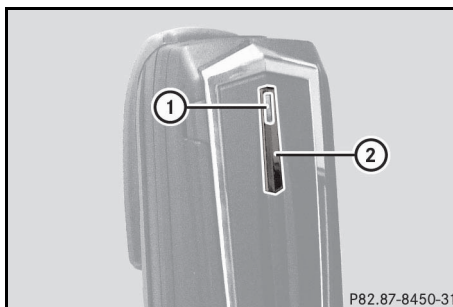
### Automatic connections

COMAND/audio system always searches for the most recently connected mobile phone.

In cases where a SIM card PIN has already been saved (▷ page 15) the Bluetooth® connection is established automatically.

### Manual connections

If the connection between telephone module and mobile phone has been severed, you can manually establish a connection to an authorised mobile phone.



- ▶ Press button ② briefly.

Indicator lamp ① flashes blue. A message appears in the COMAND/audio system display, indicating that the telephone has been activated.

If a connection to the most recently connected mobile phone is not possible, a search is performed for the mobile phone connected prior to that.

### Connecting another authorised mobile phone

#### Procedure for vehicles with system variant A (COMAND Online)

- ▶ Fit the telephone module (▷ page 7).
- ▶ Press the **TEL** button repeatedly until the basic telephone menu appears, then select **Telephone**.
- ▶ Select **Telephone/Connect device** and confirm your selection.
- ▶ Under **SAP phone/MB SAP module phones**, select the mobile phone of your choice.
- ▶ Depending on the mobile phone you are using, confirm the telephone module's connection request on the mobile phone, if necessary.

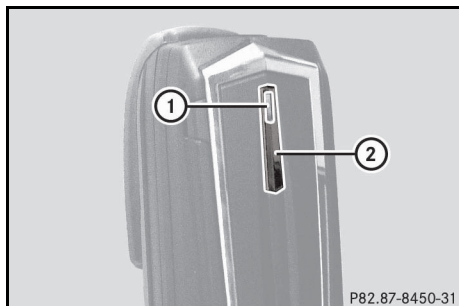
For the purposes of the telephone module's connection request, the mobile phone must be set to „automatic“/ „authorised yes“, see the operating instructions of the mobile phone.



- ▶ If necessary, enter the SIM card PIN into COMAND and confirm it.  
If the connection is successful, a message appears confirming the phone has been connected.

### Procedure for vehicles with system variant B

- ▶ Fit the telephone module (▷ page 7).



- ▶ Wait until indicator lamp ① lights up.
- ▶ Press and hold button ② for approximately three seconds.

or

- ▶ If a mobile phone is connected and the module is registered to a network:  
Call "0001".
- ▶ In COMAND/audio system, select the text message function, see the separate operating instructions.
- ▶ If only the telephone number of the received text message appears: Select [Options/Display text](#) and call the sender.
- ▶ Select the text message with the sender name of the mobile phone that you wish to connect.
- ▶ Call the sender.

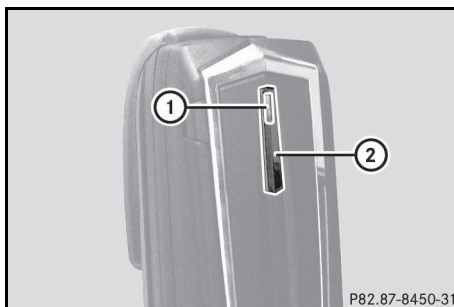
- ▶ Depending on the mobile phone you are using, it may be necessary to confirm the telephone module's connection request on the mobile phone.

For the purposes of the telephone module's connection request, the mobile phone must be set to „automatic“/ „authorised yes“, see the operating instructions of the mobile phone.

- ▶ Where necessary, enter the SIM card PIN into COMAND/audio system and confirm.

### Procedure for vehicles with system variant C

- ▶ Fit the telephone module (▷ page 7).



- ▶ Wait until indicator lamp ① lights up.
- ▶ Press and hold button ② for approximately three seconds.

or

- ▶ If a mobile phone is connected and the module is registered to a network:  
Call "0001".
- ▶ In COMAND/audio system, select the text message function, see the separate operating instructions.
- ▶ In the call list, select the number of the mobile phone you intend to authorise.

If more than ten mobile phones are found, search through the call list in the following order:

- recently dialled numbers
- missed calls



- received calls
- ▶ Call the selected phone number.
- ▶ Depending on the mobile phone you are using, it may be necessary to confirm the telephone module's connection request on the mobile phone.

For the purposes of the telephone module's connection request, the mobile phone must be set to „automatic“ / „authorised yes“, see the operating instructions of the mobile phone.

- ▶ Where necessary, enter the SIM card PIN into COMAND/audio system and confirm.

## Usage

### Using the telephone module as a data modem

The telephone module can only be used as a data modem in vehicles with COMAND Online.

- ▶ Connect the mobile phone to the telephone module (▷ page 8).

or

- ▶ Insert a SIM card into the telephone module (▷ page 10).
- ▶ Before establishing a connection in COMAND Online for the first time, select your network provider, see the COMAND Online operating instructions. Data modem usage is activated automatically.
- ▶ Switch data roaming on or off (▷ page 16).


## Telephone module settings

### Saving/deleting a SIM card PIN

When you have saved a SIM PIN to the telephone module, you do not need to enter it again for subsequent logins.

The SIM PIN is saved as part of the default setting.


#### Procedure for vehicles with system variant A (COMAND Online)

- ▶ Press the  button repeatedly until the basic telephone menu appears, then select **Telephone**.
- ▶ Select **Telephone/Connect device** and confirm your selection.
- ▶ Select the desired mobile phone under **MB SAP module phones**.
- ▶ Select the list symbol on the right beside the message.
- ▶ Tick and activate (PIN is saved) or untick and deactivate (PIN is not saved) the **Save PIN** field.


#### Procedure for vehicles with system variant B and C

- ▶ If necessary, connect the mobile phone (▷ page 8).

or

- ▶ Use the telephone module in SIM card mode (▷ page 10).
- ▶ Ensure that the telephone module is registered to a network.
- ▶ Enter the number „00041“.
- ▶ Press the  button.  
The system saves the SIM PIN.

or

- ▶ Enter the number „00040“.
- ▶ Press the  button.  
The system deletes the PINs saved to the SIM. The next time you connect, enter the SIM PIN.

## Setting a ringtone

### General notes

You can choose from a selection of ten ringtones.

### Procedure for vehicles with system variant A (COMAND Online)

- ▶ Press the **TEL** repeatedly until the basic telephone menu appears, then select button **Telephone**.
- ▶ Select **Telephone/Connect device** and confirm your selection.
- ▶ In the **MB SAP module phones** menu, select the desired mobile phone.
- ▶ Select the list symbol to the right of the message.
- ▶ Select **Ringtones**.
- ▶ Select a ringtone from the list.  
The selected ringtone is played.
- ▶ To finish and save, press the **←** back button.

### Procedure for vehicles with system variant B and C

- ▶ If necessary, connect the mobile phone (▷ page 8).

or

- ▶ Use the telephone module in SIM card mode (▷ page 10).
- ▶ Ensure that the telephone module is registered with a network.
- ▶ Enter the number „0005“ and confirm by pressing the **☎** button.
- ▶ Using the buttons **0+** to **9 wxyz**, select a ringtone for the telephone module.
- ▶ Confirm the selected ringtone by pressing the **#** button.

## Changing settings using the COMAND/ audio system keyboard

- ▶ If necessary, connect the mobile phone (▷ page 8).

or

- ▶ Use the telephone module in SIM card mode (▷ page 10).
- ▶ Press the **TEL** button repeatedly until the basic telephone menu appears, then select **Telephone**.
- ▶ Enter the corresponding number, see the following table.
- ▶ Confirm by pressing the **☎** button.

	To switch on	To switch off	Default setting
<b>Caller ID</b>	00031	00030	
<b>Data roaming</b> Send and receive data via the telephone module while abroad.	00061	00060	Deactivated
<b>Network operator restriction</b> The telephone module does not connect to foreign networks.	00071	00070	Deactivated
<b>Automatic dimming of the indicator lamp</b> The indicator lamp is dimmed while there is no user activity (pressing buttons, etc.).		00082	
<b>Automatic adjustment of indicator light brightness</b>		00083	
<b>Additional download of text messages from telephone memory</b>	00081	00080	
<b>Deleting call lists</b> The call lists saved to the telephone module are reset. The call lists of the connected mobile phone are not deleted.		0002	

## Transferring the phone book

In order to use the mobile phone's phone book via COMAND/audio system, the phone book must be transferred to the telephone module.

The data transfer can take up to 10 minutes.

The transfer takes place automatically after the automatic initiation a Bluetooth® connection.

► **If the phone book transfer does not start automatically:** select Telephone in COMAND/the audio system.

► Select [Import contacts](#).

► Select [From mobile phone](#).

If the mobile phone supports PBAP (Phone Book Access Profile), the system will initially attempt to load the phone book entries stored in the telephone's memory. If there are no phone book entries in the telephone memory, the SIM card's phone book entries are loaded instead.

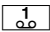
## Speed dial buttons

### Speed dial buttons for voice mail

#### Speed dial buttons for system variant A (COMAND Online)

You can define speed-dial buttons using numbers of your choosing, see operating instructions for COMAND Online/audio system.

#### Speed-dial buttons for system variant B and C)

You can use the  button as a speed-dial button for your voice mail.

► **To set speed-dial buttons:** create the following entry in the phone book of the mobile phone, see the operating instructions of the mobile phone:

Name: VOICE MAIL

Telephone number: number of the voice mail.

► Transfer the phone book of the mobile phone to COMAND/the audio system (▷ page 18).

## SMS (text messages)

### General notes

You can send, receive<sup>1</sup> and delete text messages.

Only a limited number of text messages can be saved to the SIM card. When the SIM card memory is full, you must first delete text messages before new ones can be received.

### Requirement

The telephone module must be connected to the mobile phone (▷ page 8) or be in SIM card mode (▷ page 10).

### Special considerations for system variant A (COMAND Online)

- The Bluetooth® SAP profile only has access to the text message memory of the SIM card.
- The Bluetooth® SAP profile saves incoming text messages to the SIM card.
- Depending on the model of the mobile phone, text messages may not be visible. Select a text message, see the operating instructions of the mobile phone.
- If the mobile phone supports the MAP (Message Access Profile) Bluetooth® profile, the telephone downloads the text messages saved to the mobile phone. When this function is activated in COMAND Online, the text messages are transferred.
- The text messages saved to the SIM card are given the designation „SIM:“.
- You can delete text messages from the SIM card via COMAND Online, see the COMAND Online operating instructions.

<sup>1</sup> Not available for all systems.

### Special considerations for system variants B and C

- Text messages are only downloaded from the mobile phone SIM card and saved to the telephone module.

### Disconnecting the telephone module from a mobile phone

#### Automatic disconnection

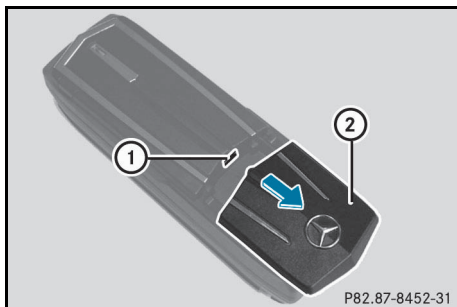
After leaving the reception range, the Bluetooth® connection between the mobile phone and the telephone module is severed automatically.

#### Manual disconnection

- ▶ Cancel the Bluetooth® connection on the mobile phone, see the operating instructions of the mobile phone.

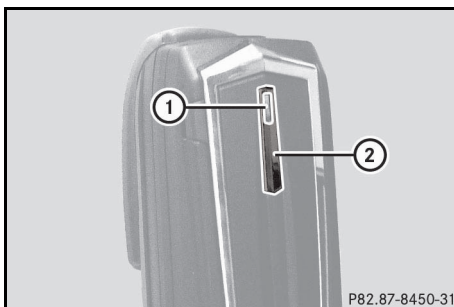
**i** You can reconnect Bluetooth® after a manual disconnection (▷ page 8).

### Charging a mobile phone



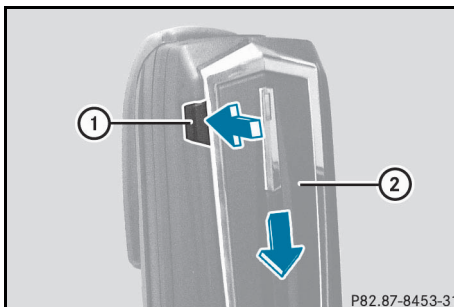
- ▶ Slide cover (2) of the telephone module in the direction of the arrow and remove it.
- ▶ Connect the mobile phone to USB port (1) using a USB cable.

### Restoring factory settings on the telephone module



- ▶ Press and hold button (2).
- ▶ As soon as indicator lamp (1) lights up orange, release button (2). Indicator lamp (1) flashes yellow-red.
- ▶ Press button (2) again. The factory settings of the telephone module are restored. All other settings are deleted.

### Removing the telephone module



- ▶ Press release button (1).
- ▶ Push telephone module (2) in the direction of the arrow and remove it.

### Deactivating the telephone module

Deactivate the telephone module in COMAND when it is not being used.

The telephone module can and must only be deactivated if the vehicle is equipped with system variant A.

- ▶ Remove the telephone module (▷ page 19).
- ▶ Press the **TEL** button repeatedly until the basic telephone menu appears, then select **Telephone**.
- ▶ Select **Connect device**.  
If your vehicle is equipped with MB business telephony, you can choose between using the module as a **COMAND phone** or a **Business phone**.
- ▶ Depending on the current connection to the telephone module, select **COMAND phone** or **Business phone**.
- ▶ Select the **MB SAP module phones** menu.
- ▶ Select the list symbol on the right beside **Activate MB SAP module**.
- ▶ To deactivate the telephone module, select **Disconnect MB SAP module** and confirm your selection with **Yes**.  
The module is deactivated.