



TELESCOPING WATER FEATURE

VINYL POOL INSTALLATION MANUAL



8175 W. Buckeye Rd., Phoenix, AZ 85043
Toll Free: 1.800.621.5886 • Phone: 480.893.7607 • Fax: 480.753.3397
Paramount@1Paramount.com • www.1Paramount.com
US and Foreign patents and patents pending
see www.1paramount.com/support/patent-numbers/

FOUNTAIN STARTUP INSTRUCTIONS

1. If installed, remove test plug from Fountain and blow out the lines to remove any construction debris that may be in the pipes.

2. Glue the plastic stops on the end of the fountain shafts **Figure 13**. Set the end of the fountain shaft with the stopper down over the fountain body and mark the water level on the shaft. **Figure 12**

3. Transfer the water level mark to the other two shafts. **Figure 13**

4. Using the longest 53-inch shaft, measure and mark an additional 1 3/4 inches away from the stopper end. **Figure 13**

5. Using the 45-inch shaft, measure and mark an additional 5/4 inches away from the stopper end. **Figure 13**

6. Using the 40-inch shaft, measure and mark an additional 3/4 inches away from the stopper end. **Figure 13**

7. Cut all three fountains at the farthest mark from the stopper end.

8. Insert each fountain shaft through a fountain retainer so the bottom of the fountain retainer is next to the stopper that is glued to the shaft. **Figure 14**

9. Umbrella Fountain **Figure 15**

- Select the longest fountain shaft.
- Put a small dab of PVC glue on the outside of the threaded insert and press into the shaft opposite the stopper end.
- Glue the umbrella end-cap over the outside of the fountain shaft, or same end as the threaded insert.
- Wipe off any excess glue.
- Thread the umbrella into the threaded insert until you have a 1/16 inch gap. When installed balance flow and gap to desired effect.

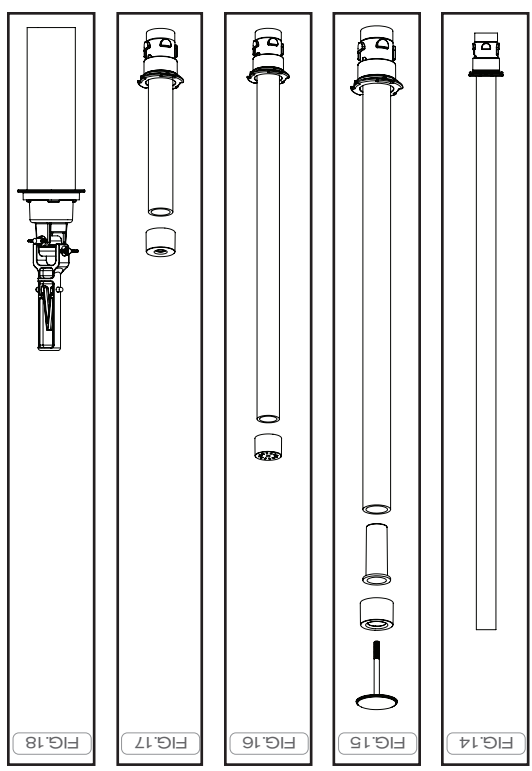
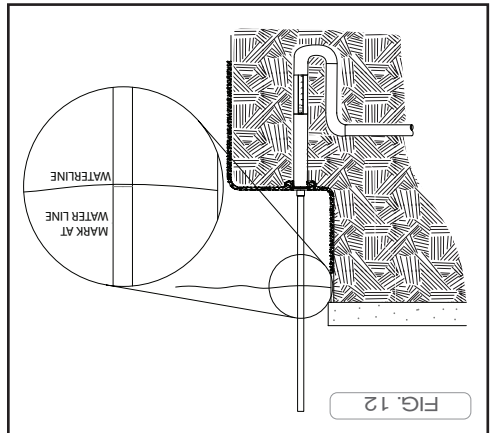
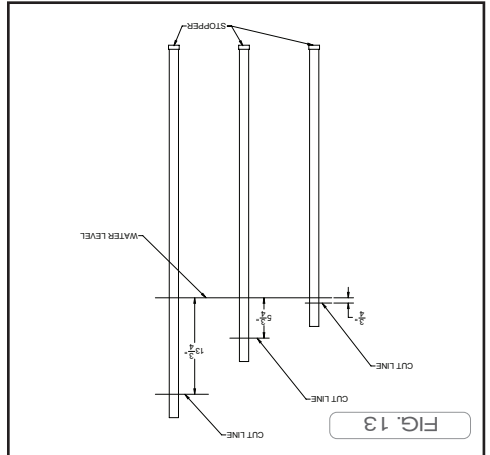
10. Flower Fountain **Figure 16**

- Select the medium length fountain shaft
- Glue the flower cap over the end of the fountain shaft opposite the stopper.
- Wipe off any excess glue.

11. Bubbler Fountain **Figure 17**

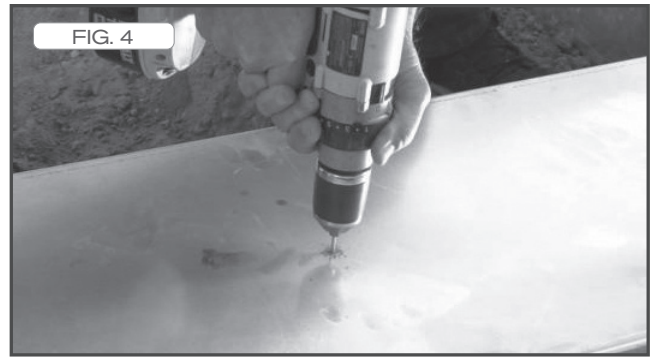
- Select the shortest length fountain shaft.
- Glue the bubbler cap over the end of the fountain shaft opposite site the stopper.
- Wipe off any excess glue.

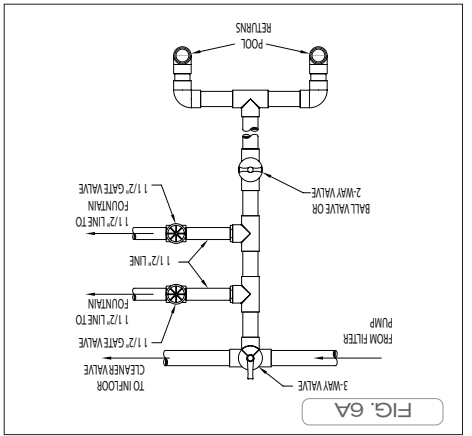
12. Install the fountain assembly **Figure 18** into the fountain body in the pool using the 4-pronged nozzle tool.



6. Drill a pilot hole at each mark. **Figure 4**
7. Use a 4 ½ inch Greenlee Punch or Drill a 4 ½ inch hole using a carbide or diamond tipped whole saw. The above tools will center on the pilot hole on the step or bench. **Figure 5**
8. Clean off all shavings and insert the Vanquish step body with the gasket (ribbed side up) between the top surface of the step/bench and the flange on the step body **Figure 5A** Insert the bulk head fitting through the step and install the bulkhead nut on the under side of the bulk head fitting. Secure the bulk head firmly to the step **Figure 5B**. **Figure 5C** shows the completed step/bench body installed to the metal steps.
9. Plumb the Parascope housing to the Vinyl Parascope bulk head fitting using a two inch coupler.
10. Each Fountain must be fed by a separate 1½" plumbing circuit with a gate valve to allow for individual adjustment. **Figure 6A, 6B, 6C.**
11. Backfill the plumbing trenches and hole making sure to maintain the vertical alignment of the Parascope. **WARNING!** If the Fountain Housing is not plumbed vertically it will not retract properly. Never heat bend or angle the raiser for the fountain when installing on a sloped surface.

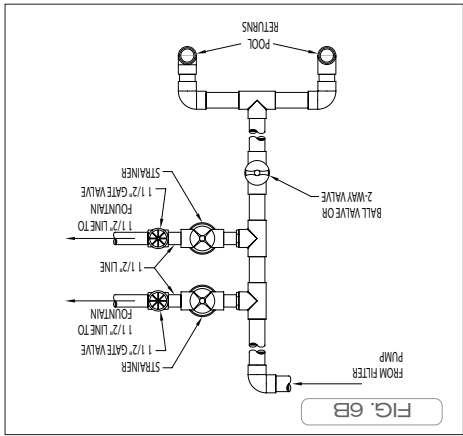
NOTE: Pressure test plugs are available for the Parascope step/bench bulkhead fitting (part number 004-627-1642-00) to pressure test the plumbing which is recommended by Paramount.





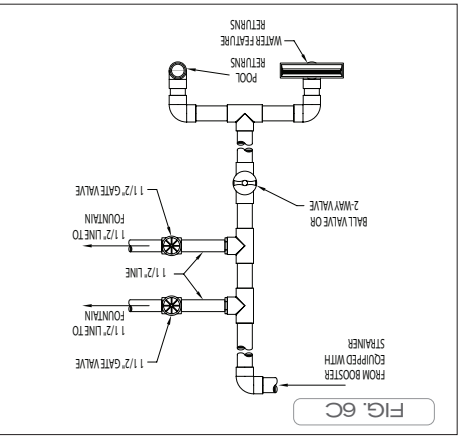
System Figure 6A
With Infloor Cleaning

1. The feed line to the Paramount Fountain should draw water from the line to the wall returns. Do not plumb the Paramount Fountain in line with the infloor cleaning system. A 3-way valve should be used to turn on either the returns or the infloor cleaning system. Each Fountain that is installed should be run with its own 1-1/2" gate valve to allow adjustment of water flow to each fountain individually for the desired effect.
2. Do Not use a 2-way or 3-way valve in place of the gate valve to the Fountains. 2-way and 3-way valves do not easily make minor adjustments and may damage the Fountains. This can be accomplished by adding other run Water Features in the pool it is imperative to have a means of bleeding off the excess water that does not go through the Fountains. This can be accomplished by adding other water features and wall returns.
3. Each Fountain that is installed should be run with its own 1-1/2" gate valve to allow adjustment of water flow to each Fountain individually for the desired effect.
4. A 2-way ball valve must be plumbed between the tee to the last Fountain and the wall returns so the Fountains water heights may be adjusted individually.



With Wall Returns - No Infloor System Figure 6B

1. Each Fountain that is installed should be run with its own 1-1/2" gate valve to allow adjustment of water flow to each fountain individually for the desired effect.
2. Do Not use a 2-way or 3-way valve in place of the gate valve to the Fountains. 2-way and 3-way valves do not easily make minor adjustments and may damage the Fountains. This can be accomplished by adding other water features and wall returns.
3. Each Fountain that is installed should be run with its own 1-1/2" gate valve to allow adjustment of water flow to each Fountain individually for the desired effect.
4. DO NOT use a 2-way or 3-way valve in place of the gate valve to the Fountains. 2-way and 3-way valves do not easily make minor adjustments and may damage the Fountains. This can be accomplished by adding other water features and wall returns.
5. A 2-way ball valve must be plumbed between the tee to the last Fountain and the wall returns so the Fountains water heights may be adjusted individually.



With Wall Returns & Water Features Figure 6C

1. Fountains using a Booster Pump must have a strainer such as a Jandy Energy Filter (Part# 3456) between the pump and the fountains.
2. If a Booster Pump is used to run Water Features in the pool it is imperative to have a means of bleeding off the excess water that does not go through the Fountains. This can be accomplished by adding other water features and wall returns.
3. Each Fountain that is installed should be run with its own 1-1/2" gate valve to allow adjustment of water flow to each Fountain individually for the desired effect.
4. DO NOT use a 2-way or 3-way valve in place of the gate valve to the Fountains. 2-way and 3-way valves do not easily make minor adjustments and may damage the Fountains. This can be accomplished by adding other water features and wall returns.
5. A 2-way ball valve must be plumbed between the tee to the last Fountain and the wall returns so the Fountains water heights may be adjusted individually.

VINYL PARASCOPE OVER POURED STEPS, BENCHES OR FLOOR

1. Dig a hole for the Parascope housing that will align with the fountain bulkhead placement on the step or bench. Note the housing will need to be long enough to accommodate the fountain risers. **Figure 1**

NOTE: Maximum water depth that they can be installed is 38 inches, and the fountain can be plumbed no closer than 6 inches from the front edge of the step or shelf area or 8 inches from the back or side of the step or shelf area.

2. Cut the Fountain Housing Shaft at the marker indicating your water depth to minimize the depth of the hole for the shaft, however this step is optional. **Figure 2**

3. Remove the sticker from the Fountain Housing Shaft to ensure proper seal to the elbow. Complete your plumbing per **Figure 3**.

4. Plumb the Parascope housing to the Vinyl Parascope bulk head fitting using a two inch coupler. **Figure 4**

5. Backfill the plumbing trenches and hole making sure to maintain the vertical alignment of the Parascope. **WARNING!** If the Fountain Housing is not plumbed vertically it will not retract properly. Never heat bend or angle the riser for the fountain when installing on a sloped surface.

6. Concrete steps, thread the bulkhead nut on halfway up the threads. **Figure 5A** Be sure that the underside of the bulkhead flange is level with the finished concrete.

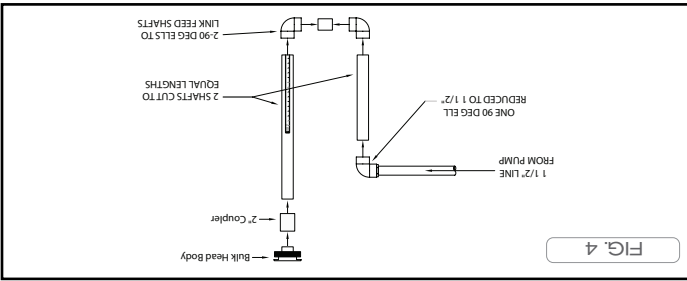
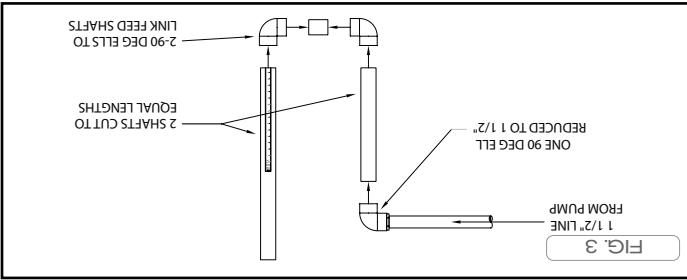
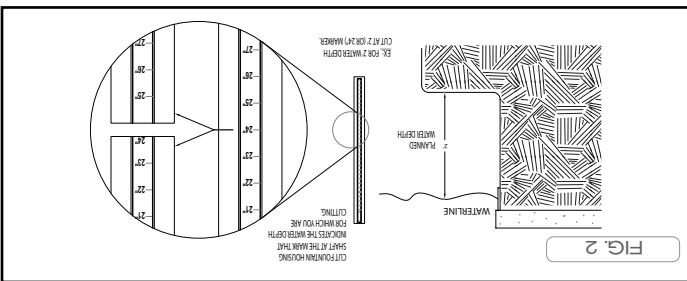
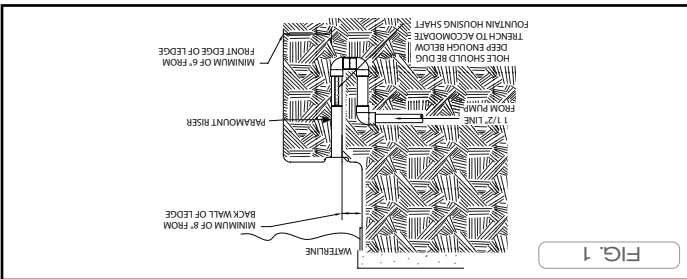
Figure 5B

7. If the Parascope is being installed in the floor, thread the bulkhead nut on halfway up the threads, pour a concrete collar (approx. 1/2"x1/2"x6" deep). Be sure the bulkhead flange is level with the finished concrete.

8. Each Fountain must be fed by a separate plumbing circuit with a gate valve to allow for individual adjustment.

Figure 6A, 6B, 6C, PAGE 5

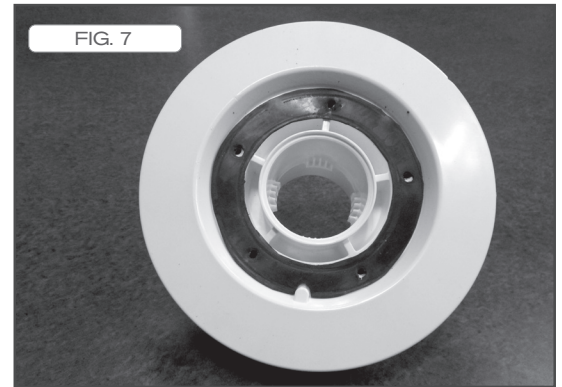
NOTE: Pressure test plugs are available for the Parascope step/bench bulkhead fitting (part number 004-627-1642-00) to pressure test the plumbing which is recommended by Paramount.



PRE-LINER PREPARATION

1. Affix the 1/16 inch gasket to the flange aligning the notch of the gasket to the key in the bulkhead fitting.
2. Use an adhesive to assure that the gasket stays in place and the screw holes are aligned. Allow the adhesive time to set according to the manufactures instructions before installing the liner.

Figure 7

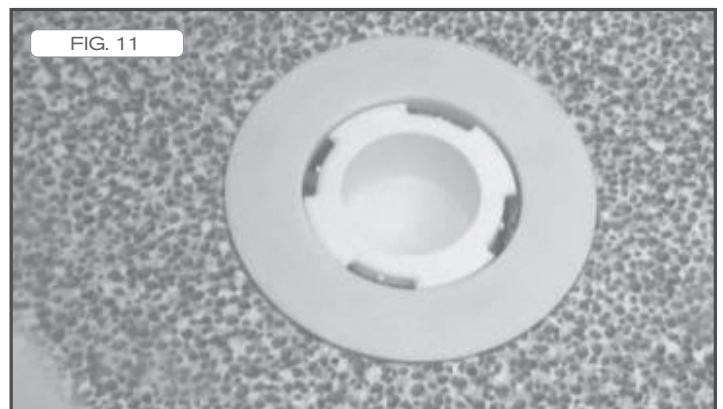
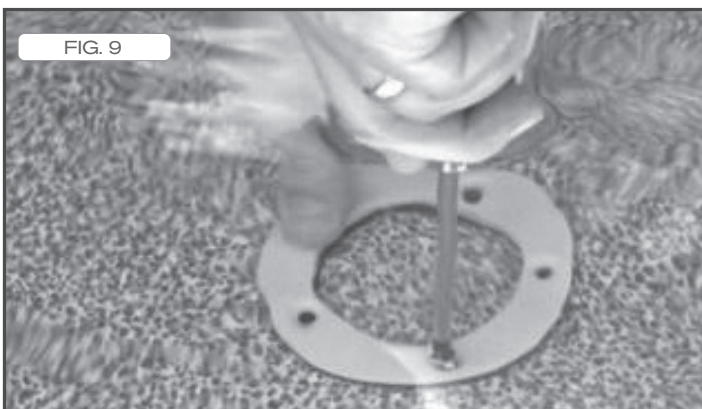


POST LINER FLANGE, COLOR RING AND NOZZLE INSTALL

1. While the liner is being installed, with your fingers find the keyed area in the body **Figure 8**. With an adhesive glue attach the keyed gasket to the keyed flange and then place on top of the liner with the keyed body and flange fitting together into the body.
2. Then screw in the screws to hold the flange in place **Figure 9**. When secure you can cut the liner away from the inside of the flange. **Figure 10**

3. At this point the pressure test plugs, if used, can be removed and saved for the next pool **Figure 11**.
4. The color ring can now be installed on top of the flange **Figure 11**.

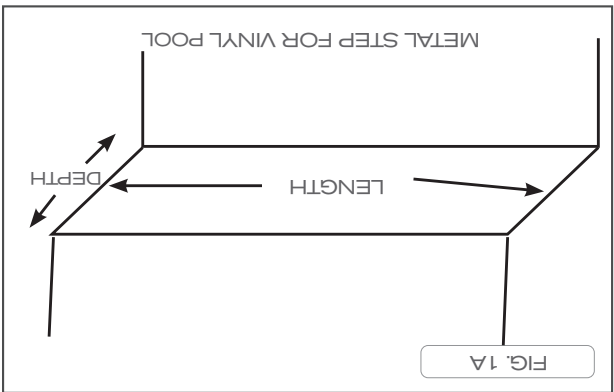
Note: if for some reason you need to remove the color ring after it is installed pull it off from the inside edge.



PARASCOPE VINYL POOL INSTALLATION ON METAL OR CONCRETE STEPS/BENCHES OR FLOORS

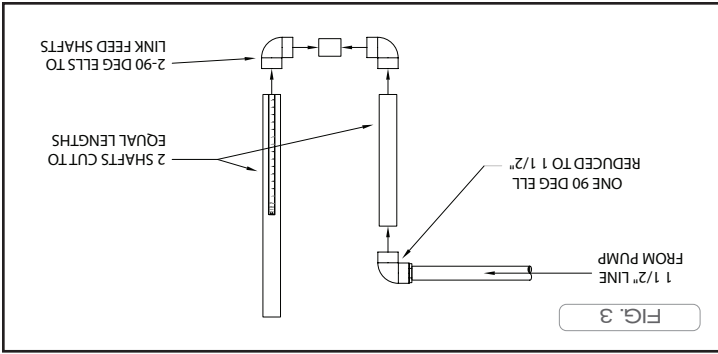
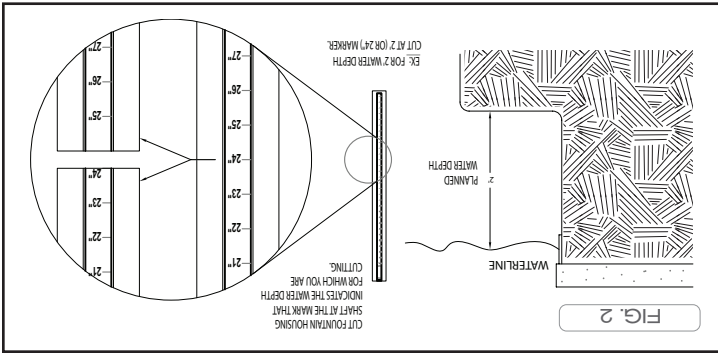
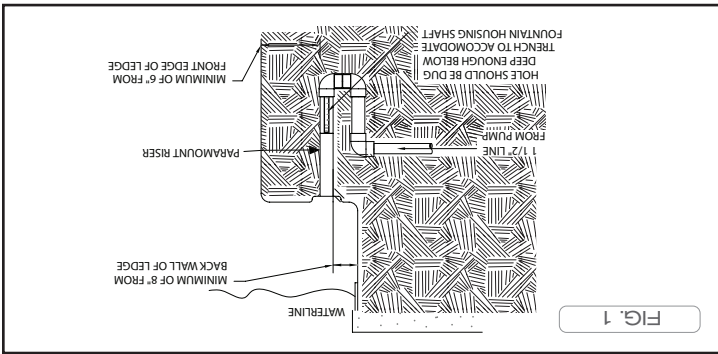
The radius of the fountain heads of the Parascopes are (Bubbler 1 foot, the flower and the Umbrella 2 ft. at 10 gpm). Be sure the nozzle is placed so it does not splash on the pool deck. Keep in mind that wind and water pressure can affect the radius. Measure and mark the placement for the vinyl bulkhead fitting both depth and length wise **Figure 1A** if the Parascopes liner fitting is going on steps or benches keep the center of the body at least at least 6 inches from any vertical walls. Note: the maximum water depth the Parascopes can be set at is 38 inches.

NOTE: If using Vinyl over Concrete, Vermiculite or other poured and troweled steps or floors skip to Page 4. Vinyl Parascopes over poured steps, benches or floor.

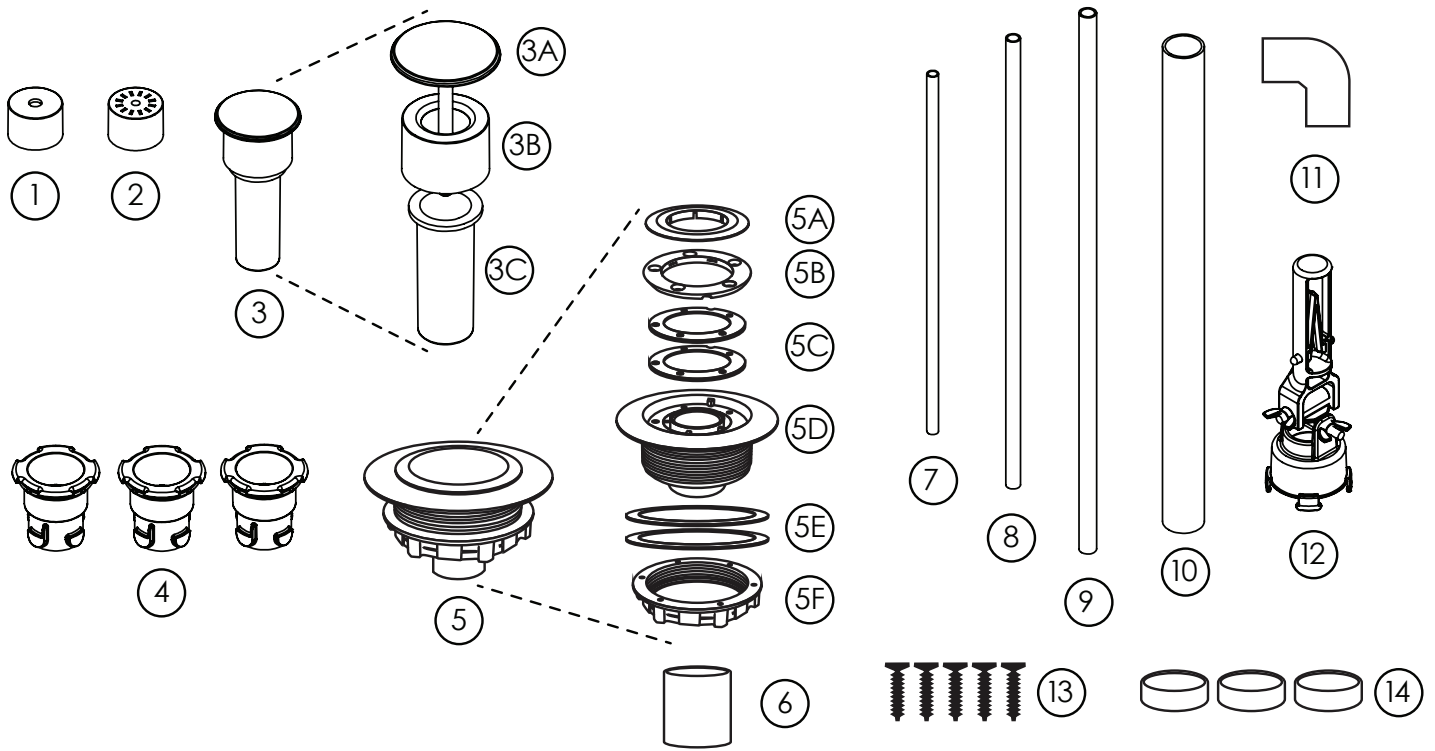


FOR PARASCOPES ON METAL STEPS ON VINYL POOLS

1. Dig a hole for the Parascopes housing that will align with the fountain bulkhead placement on the step or bench. Note the housing will need to be long enough to accommodate the fountain risers
2. NOTE: Maximum water depth that they can be installed is 38 inches, and the fountain can be plumbed no closer than 6 inches from the front edge of the step or shelf area or 8 inches from the back or side of the step or shelf area. **Figure 1**
3. Cut the Fountain Housing Shaft at the marker indicating your water depth to minimize the depth of the hole for the shaft, however this step is optional. **Figure 2**
4. Remove the sticker from the Fountain Housing Shaft to ensure proper seal to the elbow. Complete your plumbing per **Figure 3**
5. Measure and mark your step or bench for the location of the Parascopes. (NOTE: this must line up with the hole)



PARASCOPE PARTS - VINYL



Parascope Fountain Finish Kit

Item	Part Number	Description
1	005-059-2502-XX	Bubbler Nozzle
2	005-059-2503-XX	Flower Nozzle
3	005-059-2504-XX	Umbrella Nozzle
3A	**	Umbrella Top
3B	**	Umbrella Cap
3C	**	Umbrella Threaded Insert
4	**	Retainer
5	**	Bulkhead Body Unit
5A	**	Color Cover
5B	**	Ring Bulkhead
5C	**	Gasket Bulkhead
5D	**	Body Bulkhead
5E	**	Gasket Bulkhead Wall Drain
5F	**	Nut Bulkhead Wall Drain
6	**	2" Slip Coupler
7	**	Bubbler Shaft 40"
8	**	Flower Shaft 45"
9	**	Umbrella Shaft 53"
10	**	Housing Shaft w/ Water Depth Cut Marks
11	**	2" Slip Elbow
12	004-627-5452-00	Fountain Tool
13	**	1" Screws
14	**	Plastic Stops

Parascope Fountain Complete - Vinyl

Item	Part Number	Description
Single Unit	004-059-2671-XX	Available colors (01, 02, 03, 05, 07, 08)

Parascope Fountain Replacement

Item	Part Number	Description
1	005-059-2502-XX	Bubbler Nozzle
2	005-059-2503-XX	Flower Nozzle
3	005-059-2504-XX	Umbrella Nozzle

Available colors (01, 02, 03, 05, 07, 08) Does not include Bulkhead Body Unit