



Franklin Electric

# PORT CONNECTIONS

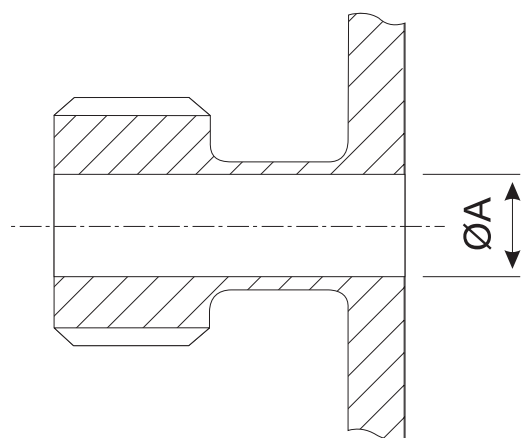
Model	Size	Form	"A"
R21	25mm	P	22
R22	40mm	P	35
R23	40mm	P	35
R31	40mm	P	35
R32	50mm	P	48
R33	65mm	P	60
	70mm	T	60
R41	65mm	P	60
	70mm	T	60
R42	75mm	P	72
R43	100mm	P	97

## Connection Types

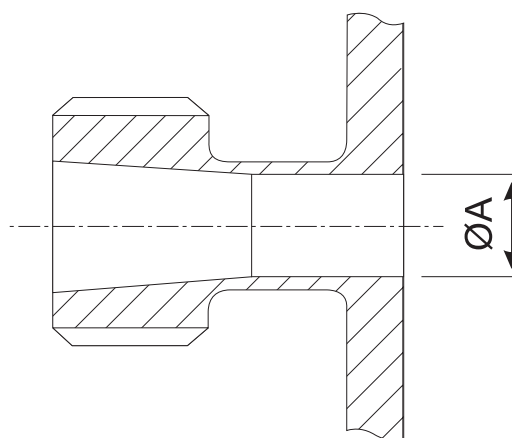
ISS/IDF  
 DIN11851/405  
 SMS  
 ACME CONE  
 CLAMP  
 RJT (BS1864)  
 BSPT (BS21)  
 BSP (BS2779)  
 NPT

FLANGED : ASA  
 BS  
 DIN  
 JIS

P = Parallel  
 T = Taper



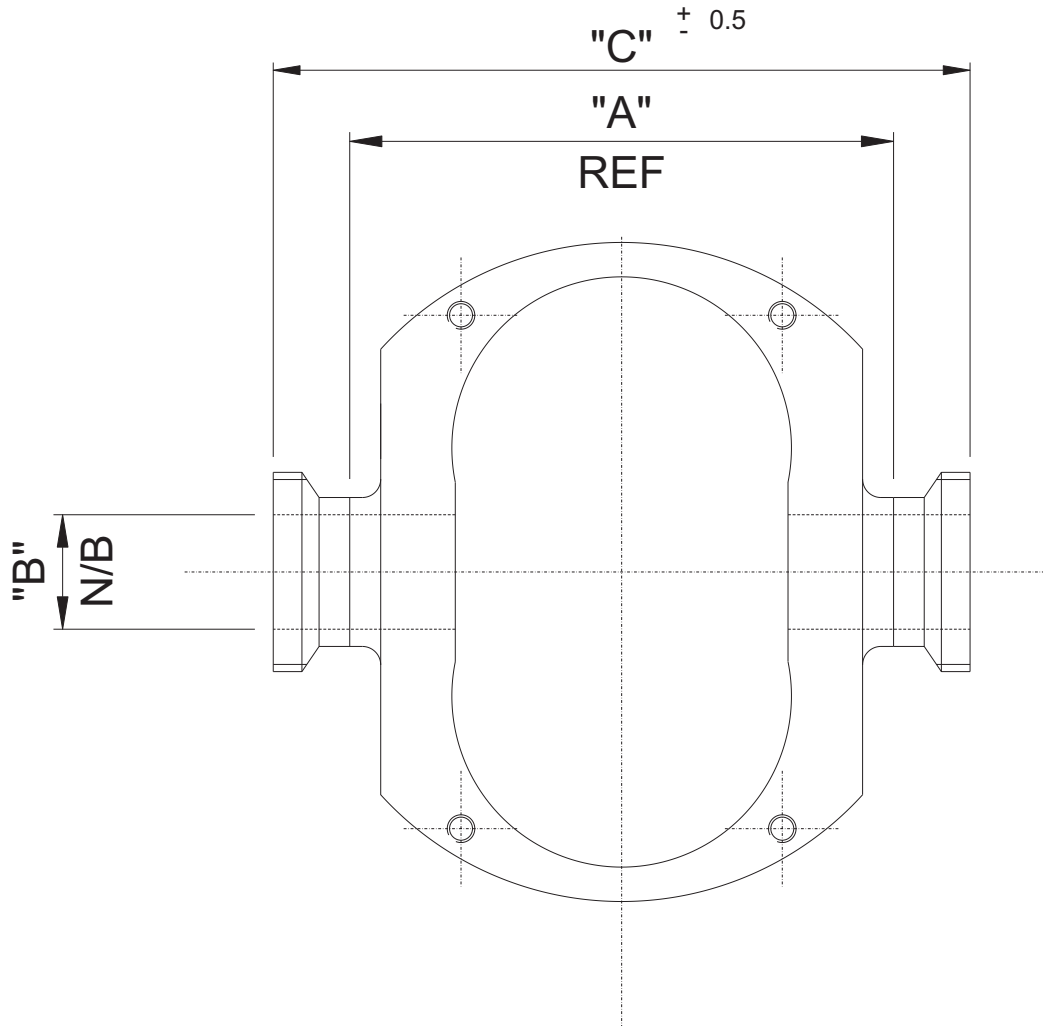
FORM "P"



FORM "T"

# PORT CONNECTIONS

## DIN 11851/405 FITTINGS

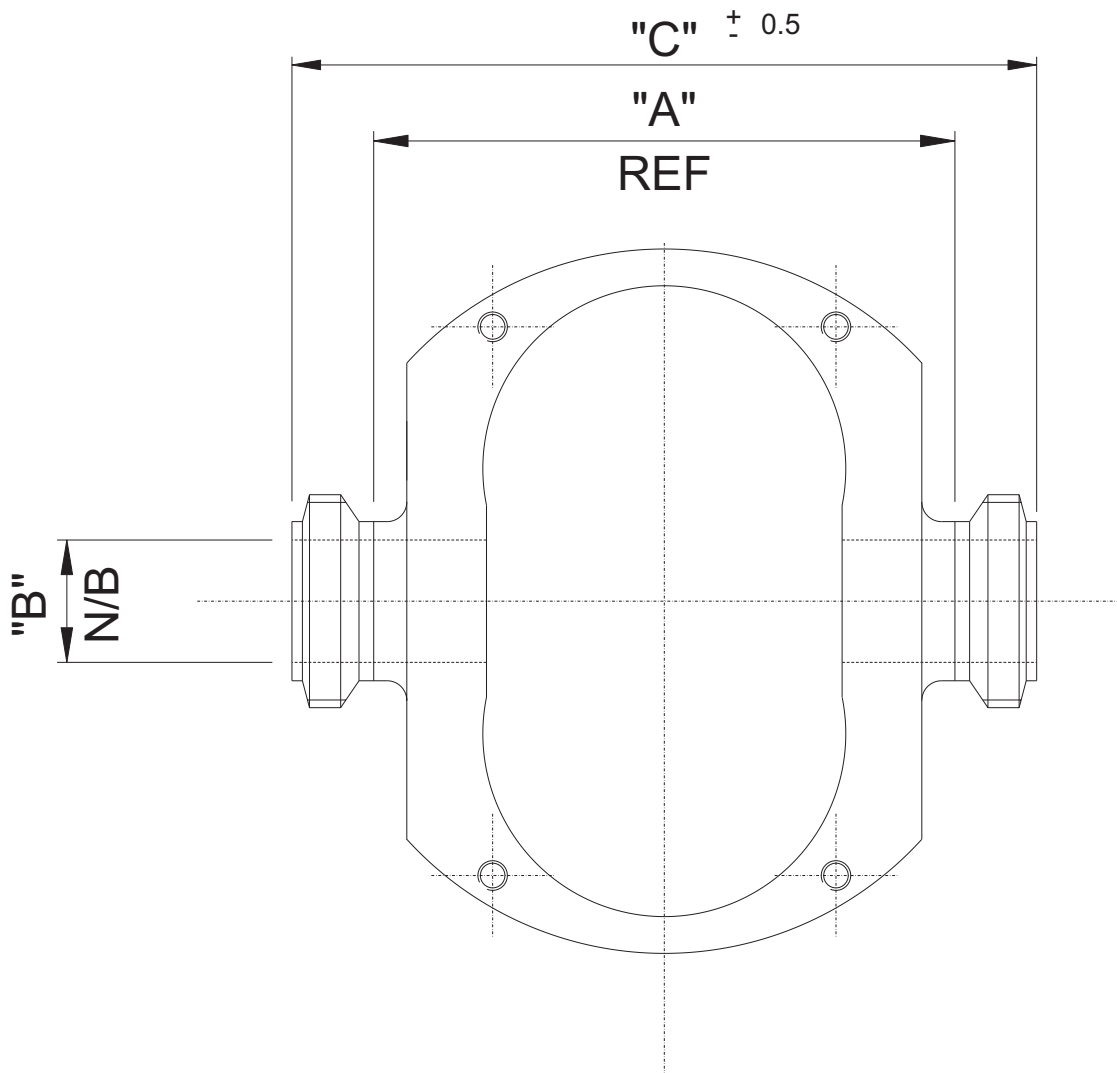


MODEL	R21	R22	R23	R31	R32	R33	R41	R42	R43
"A" REF	133	133	133	170	170	170	237	237	237
N/B "B"	22	35	35	35	48	60	60	72	97
"C"	191	199	199	236	240	250	317	327	345



Franklin Electric

# PORT CONNECTIONS IDF/ISS FITTINGS



MODEL	R21	R22	R23	R31	R32	R33	R41	R42	R43
"A" REF	133	133	133	170	170	170	237	237	237
N/B "B"	22	35	35	35	48	60	60	72	97
"C"	176	176	176	213	213	213	280	280	280

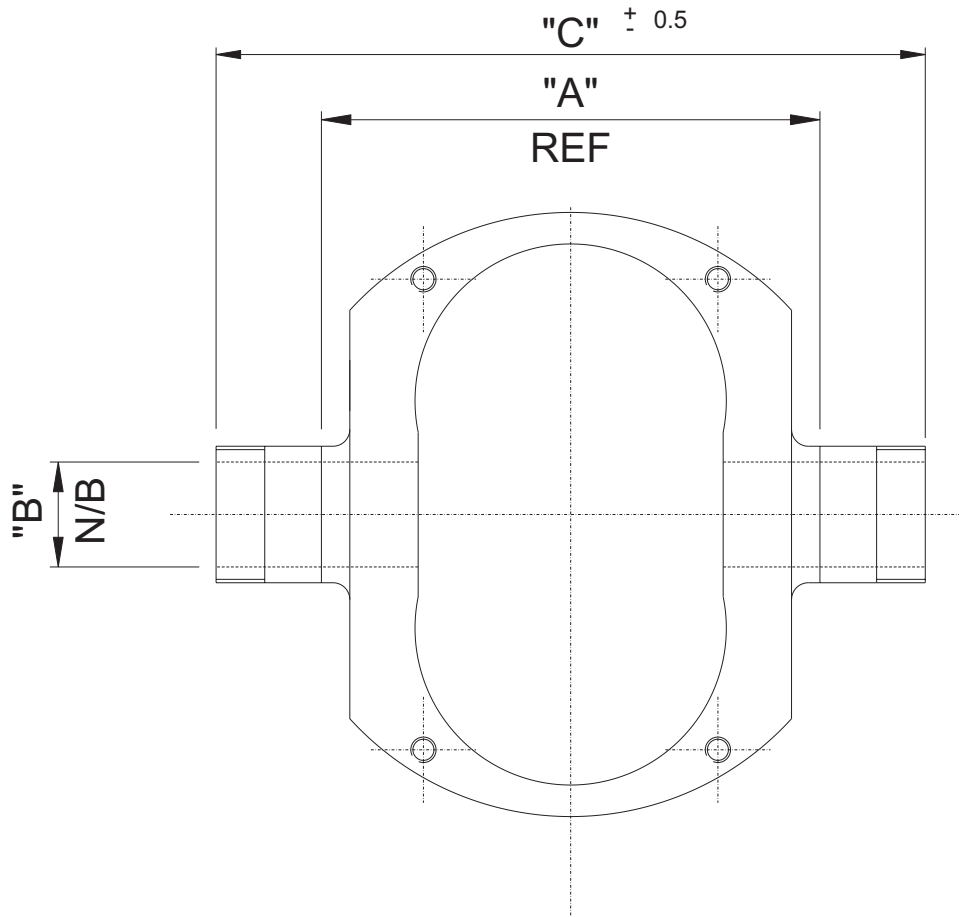


Franklin Electric

# PORT CONNECTIONS

## BSP FITTINGS

(TAPER & PARALLEL)

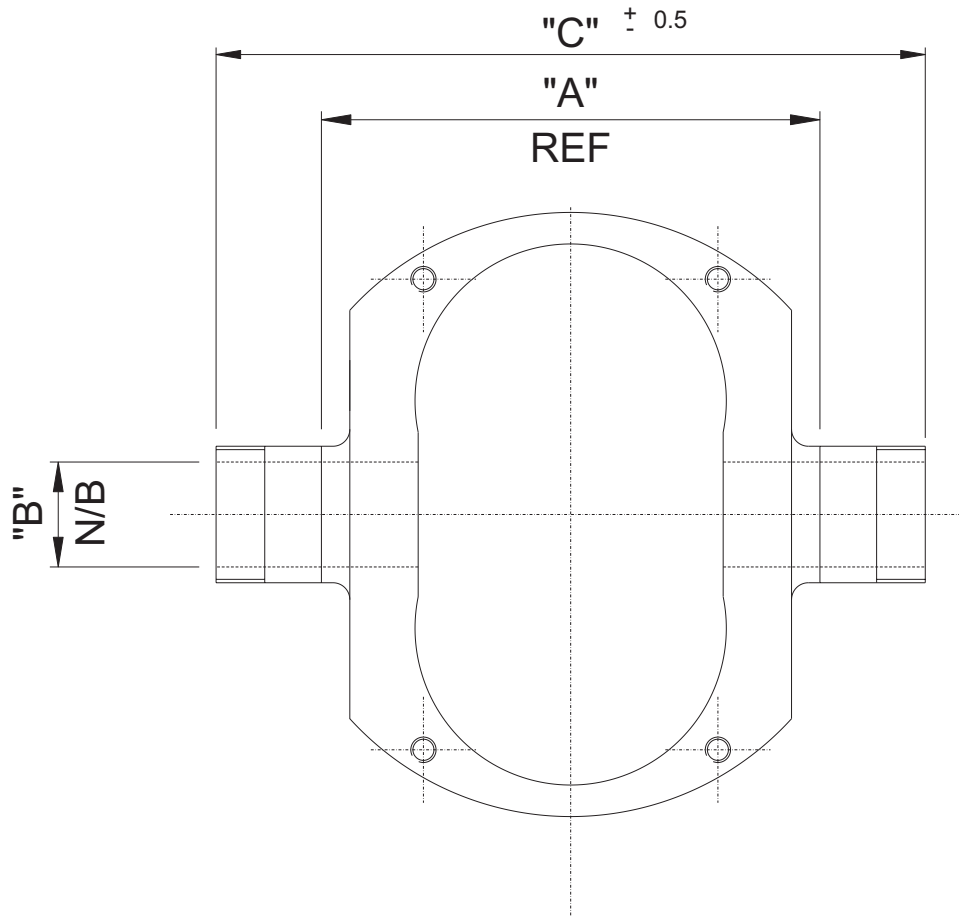


MODEL	R21	R22	R23	R31	R32	R33	R41	R42	R43
"A" REF	133	133	133	170	170	170	237	237	237
N/B "B"	22	35	35	35	48	60	60	72	97
"C"	188	208	208	245	265	265	332	352	352

# PORT CONNECTIONS

## BSP FITTINGS

(TAPER & PARALLEL)



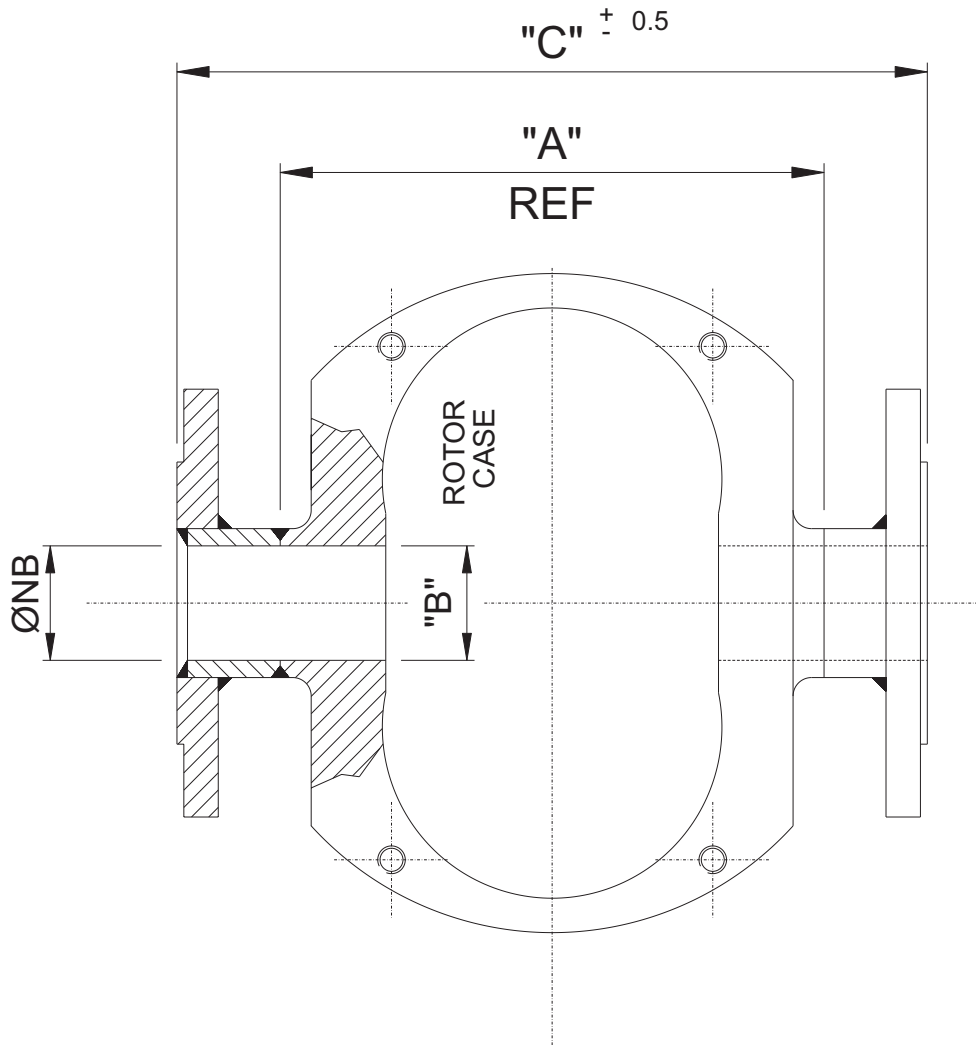
MODEL	R21	R22	R23	R31	R32	R33	R41	R42	R43
"A" REF	133	133	133	170	170	170	237	237	237
N/B "B"	22	35	35	35	48	60	60	72	97
"C"	188	208	208	245	265	265	332	352	352



Franklin Electric

# PORT CONNECTIONS

## DIN 2576/16 & BS 4504/16



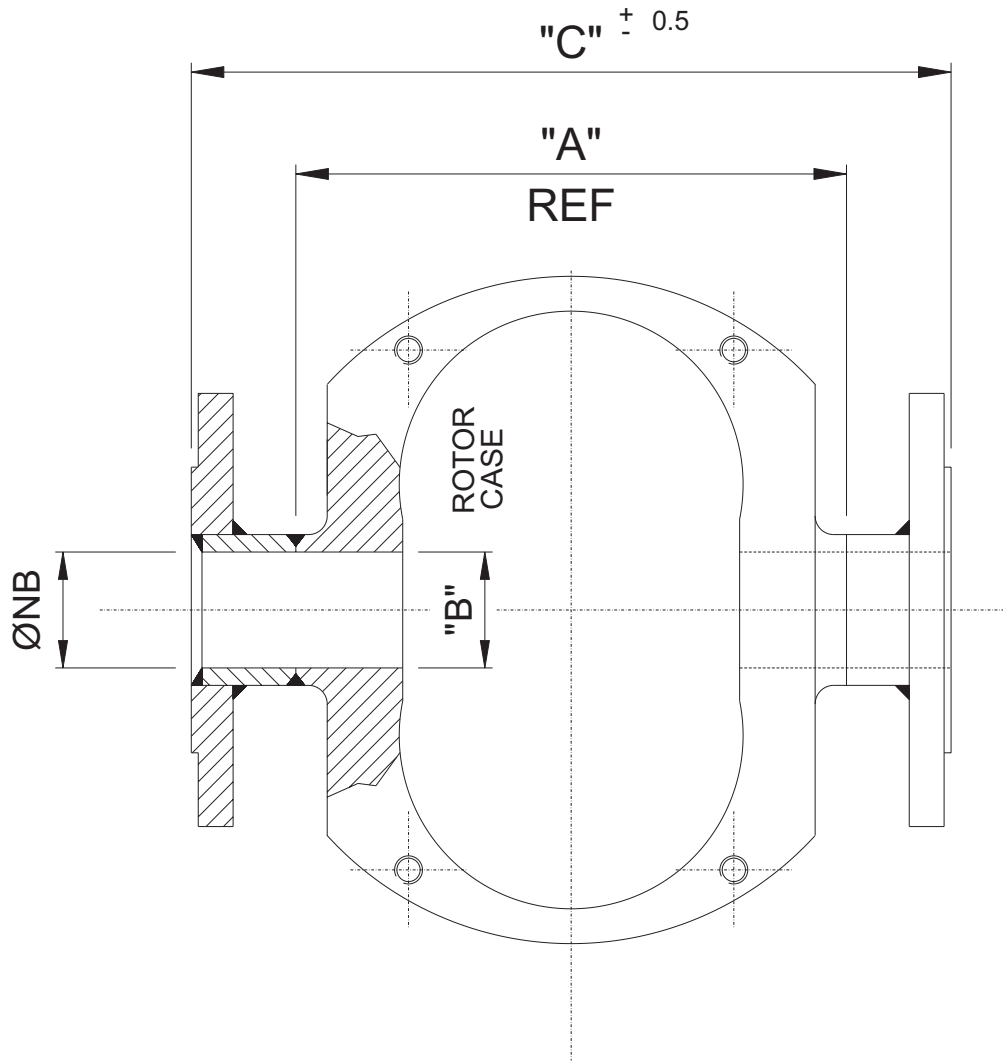
MODEL	R21	R22	R23	R31	R32	R33	R41	R42	R43	
"A" REF	133	133	133	170	170	170	237	237	237	
"B" R/CASE	22	35	35	35	48	60	60	72	97	
NB	25	40	40	40	50	65	65	80	100	
"C"	DIN 2576/16	210	220	220	255	260	260	330	340	345
	BS4504/16									



Franklin Electric

# PORT CONNECTIONS

## ASA 150/300 LBS



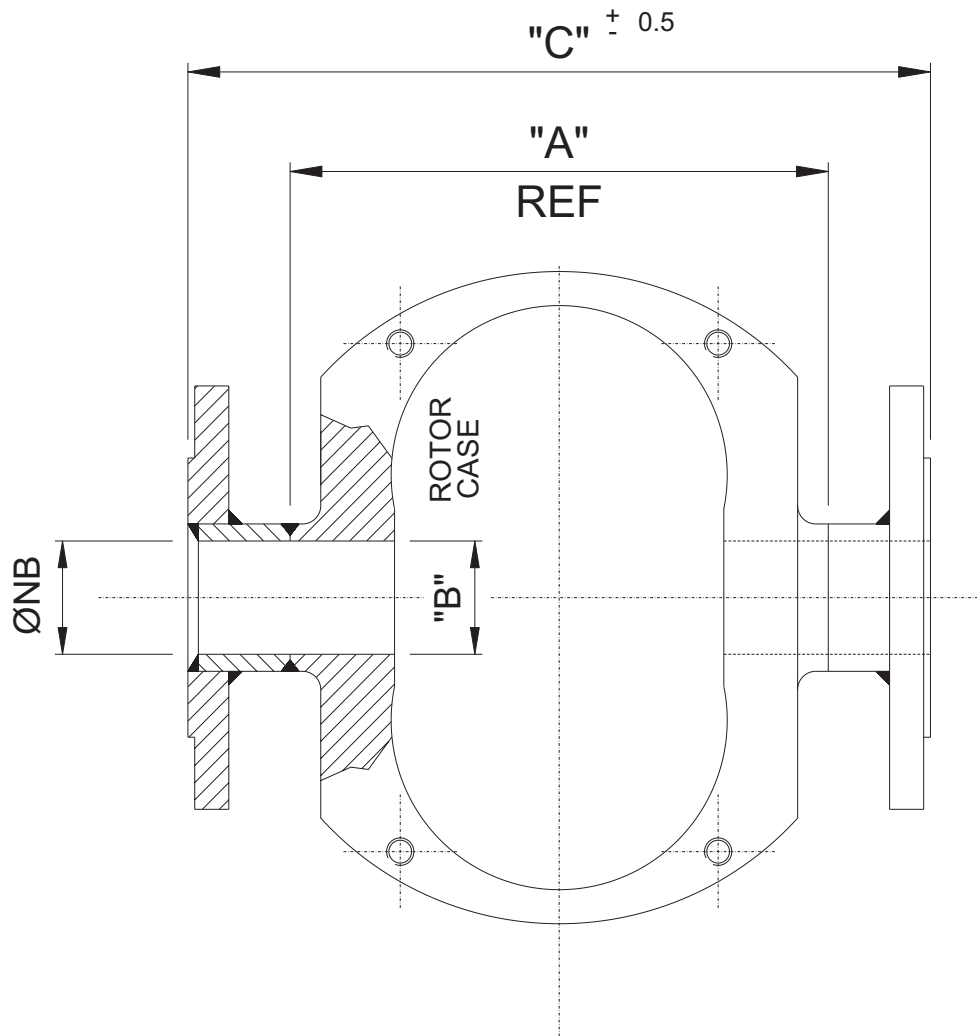
MODEL	R21	R22	R23	R31	R32	R33	R41	R42	R43		
"A" REF	133	133	133	170	170	170	237	237	237		
"B" R/CASE	22	35	35	35	48	60	60	72	97		
NB	25	40	40	40	50	65	65	80	100		
"C"	ASA	150	245	260	260	300	300	310	380	380	390
		300	260	270	270	310	310	325	390	400	410



Franklin Electric

# PORT CONNECTIONS

## SABS 1123



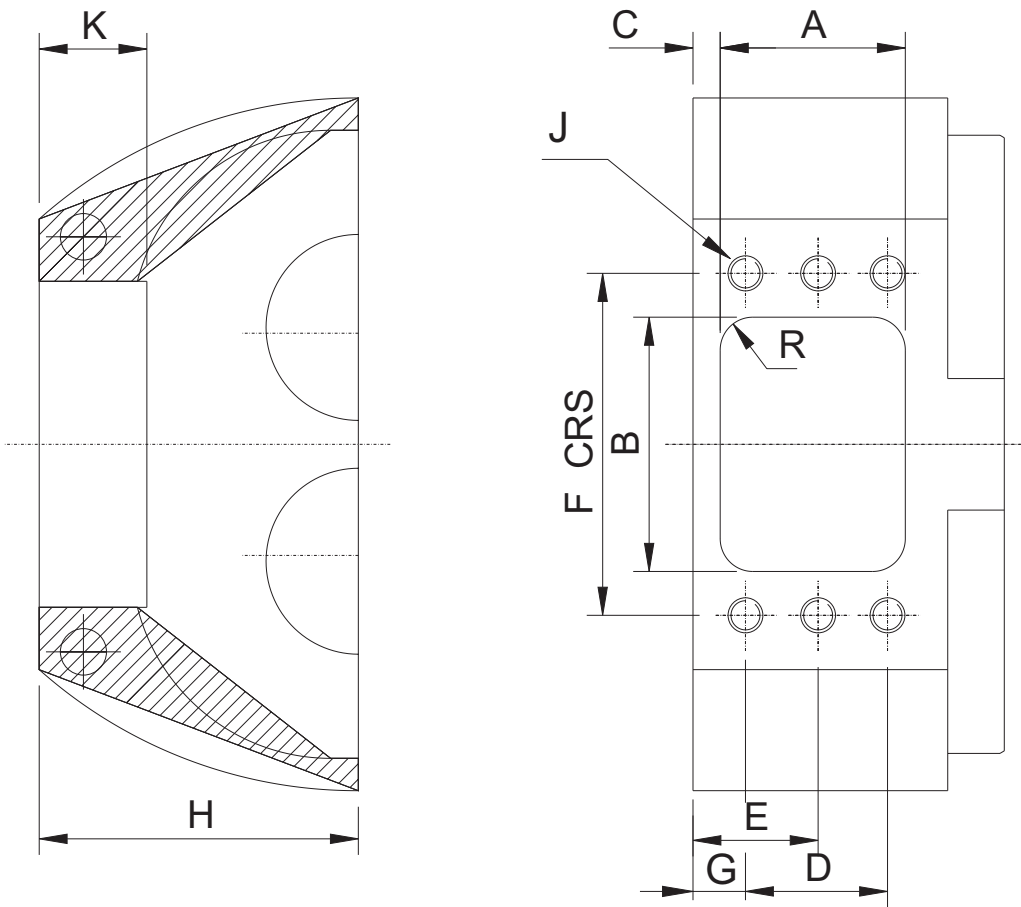
MODEL	R21	R22	R23	R31	R32	R33	R41	R42	R43
"A" REF	133	133	133	170	170	170	237	237	237
"B" R/CASE	22	35	35	35	48	60	60	72	97
NB	25	40	40	40	50	65	65	80	100
"C" S.A.B.S 1123	210	220	220	255	260	260	330	340	345





Franklin Electric

# RECTANGULAR PORTS



Pump	A	B	C	D	E	F	G	H	J	K max	R min
R21	18	58	6	-	15	76	-	60	2x M8x12 DEEP	25	7.5
R22	24	58	6	-	18	76	-	60	2x M8x12 DEEP	-	7.5
R23	36	58	6	-	24	76	-	60	2x M8x12 DEEP	-	7.5
R31	34	88	7	32	-	112	8	77	4x M8x12 DEEP	25	7.5
R32	48	88	7	46	-	112	8	77	4x M8x12 DEEP	25	7.5
R33	60	88	10	64	-	112	8	77	4x M8x12 DEEP	-	7.5
R41	47	93	8	43	-	165	10	105	4x M10x15 DEEP	35	15
R42	72	93	8	68	-	165	10	105	4x M10x15 DEEP	35	15
R43	95	93	10	95	-	165	10	105	4x M10x15 DEEP	-	15