

kogan

HD Sports Action Camera

KHCAMKDACTA

USER MANUAL



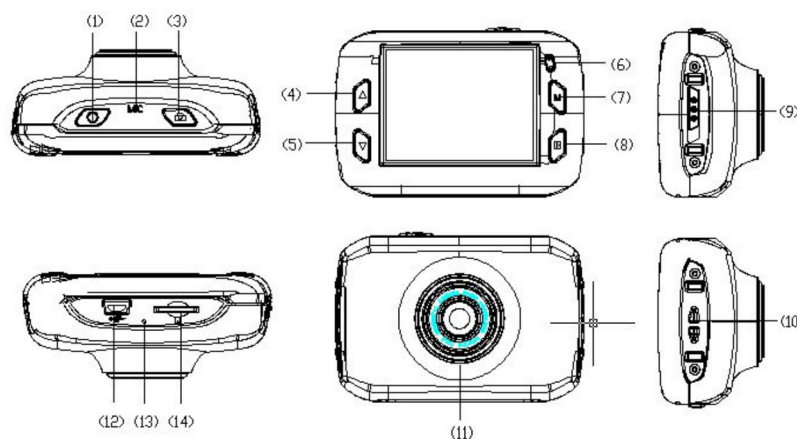
Thank you for purchasing this Kogan HD sports action camera. You should read these instructions thorough before use. The camera has no internal memory, so prior to taking photographs or footage, you should insert a microSD card.

Ensure the camera is turned off prior to inserting or removing a memory card, and be sure to insert it in the correct direction. Do not insert the card if you feel any obstruction or resistance.

WARNING

1. This battery contains a lithium battery. It should not be used in flammable or explosive environments or put into a fire, as it will explode easily.
2. Do not expose the camera to direct sunshine and do not point the lens directly at the sun. Doing so may cause damage to the image sensor.
3. Take good care of the camera to ensure that no water or sand particles enter the camera when it is being used at the beach or in water. Water, sand, salt and other components containing salt may cause internal damage to the camera.
4. Keep the camera free of dust or chemical materials. Store it in a cool, dry, well ventilated location.

Getting to know your camera



1: Power button

4: UP button

7: MENU button

10: Wrist strap hole

13: Reset button

2: Mic

5: DOWN button

8: Playback button

11: Lens

14: microSD memory card slot

3: Shutter button

6: Indicator light

9: Mode switch

12: USB interface

Accessories

Waterproof casing, USB cable, car charger, handlebar post mount (optional), helmet mount (optional), shield, suction-cup mount

Accessory Assembly Setup

1 - Bike/Motorbike Sport Assembly



2 - Helmet Assembly



3 - Car Mount Assembly



Charging of Lithium Battery

When the camera is low in power, the battery will charge when the camera is connected to a PC with the USB cable or connected to the car charger. While charging, the indicator light will light up in blue. When the battery is full, the light will go out.

Note: There is a visual power indicator in the right corner of the LCD display.



When the camera is low in power, “LOW POWER” information will be displayed on the LCD screen, and then the camera will power down automatically after a few seconds.

Car Charger Use

With the camera turned off, you can insert the car charger into the charging port to charge the battery. Once inserted, you can press the power button to turn the camera on. Now you can use the camera to take videos, pictures and view playback functions.

Note: in this mode, the car charger will both charge the battery and supply the running power to the camera.

Installing the microSD Card

The camera has no internal memory, so you will need to use a microSD card to store your recordings. Turn the camera off before inserting or removing the memory card. Insert it facing the correct direction and do not force it if you feel any resistance.

Recording Functions

Photographs

Insert the memory card, press the power button and wait for the screen to display the opening picture. The camera will then startup in photograph mode. Frame whatever you want to capture in the view-finder and then press the shutter button. The camera will make a “beep” sound and a photo will have been taken. The total number of photos shown at the top right corner will reduce by one.

Press MENU to select the photograph mode: OFF / 2S / 5S / 10S / Cancel self timers and 3 multi-snapshot.

Videos

When in photography mode, turn the mode switch to the video position (middle position). The recorder will go into video mode. Press the shutter to start recording footage in this mode, at which point the indicator light will start to flash. Press the shutter again to stop the recording.

Press the MENU button in video mode to change the recording quality settings.

Sport Video Recording

In photography mode, turn the mode switch to the sport video position (bottom). The recorder will now be in sport video mode, meaning the unit will record in cycles of 5 minutes.

Press the MENU button to set different time cycles.

Playback Functions

Photo Playback

With the mode switch in the photograph capture mode (top), press the playback button to enter photo playback mode. Press UP or DOWN to preview the photos.

Note: Video and Sport Video files cannot be viewed in photo playback mode.

Video Playback

With the mode switch in the video capture mode (middle), press the playback button to enter video playback mode. Press UP or DOWN to preview the video files.

Press the shutter button to play the video file and press it again to stop playback. Press the MENU button to pause the video.

Note: Photo files cannot be viewed in video playback mode. Sport Video files can be viewed in this mode.

Sport Video Playback

With the mode switch in the sport video capture mode (bottom), press the playback button to enter video playback mode. Press UP or DOWN to preview the sport video files.

Press the shutter button to play the video file and press it again to stop playback. Press the MENU button to pause the video.

Note: Photo and video files cannot be viewed in sport video playback mode.

Zoom in and Out (4x)

In any mode, press the UP button to engage the digital zoom. Each time the scene is magnified by between 1 ~ 4 times. Press the DOWN button to reduce the zoom down from between 4 ~ 1 times.

MENU Introduction

When the camera is turned on, pressing the MENU button will take you to the menu interface.

Press UP and DOWN to choose new parameters.

Press the MENU button to confirm and/or enter second-level menu.

Press the PLAYBACK button to exit out of the current menu.

Photo Mode Menu

Photo size: set the pixel density and quality. More pictures mean better image quality, however it takes up more space on your memory card.

12M (4000 x 3000), 5M (2592 x 1944), 3M (2048 x 1536), 1.3M (1280 x 1024)

Scene: Supports many different kinds of scenes that will improve the quality of the image when taken. Scenes include auto, night, portrait, scenery, backlight, sport, party, beach, high sensitivity.

Self Timer: Off, 2sec, 5sec, 10sec, cancel.

Multi-Snapshot: Off, On, Cancel

Face Detect: Off, On, Cancel

White Balance: Auto, daylight, cloudy, tungsten, fluorescent, Cancel

Exposure: -3, -2, -1, 0, 1, 2, 3, Cancel

ISO Value: Auto, ISO 100, ISO 200, ISO 400, Cancel

Image Quality: Super Fine, Fine, Normal, Cancel

Sharpness: Sharp, Normal, Soft, Cancel

Anti-Shake: On, Off. (Will make the camera avoid taking photos where the results will be jittery or blurred.)

Setup: This option will send you to the following sub-menu (overleaf).

- Language: English, German, French, Spanish, Italian, Turkish, Russian
- Set Date: Press MENU, UP and DOWN to set current time and date.
- Auto Power Off: Off, 1min, 3min, 5min, 10min, Cancel
Note: If you choose off, then the camera will stay on until the battery runs flat or until you manually turn it off.
- Frequency: 50Hz, 60Hz. (Default is 50Hz)
- Beep: Off, On, Cancel
- Format: Will format the micro SD card. Will remove all files on the card, include protected files.
- Default Setting: Restores the camera back to the original factory settings.

Video Mode Menu

Video Size: 1280 x 720 HD, 640 x 480, Cancel
Other parameters are the same as photo mode.

Sport Video Mode Menu

Video Size: 1280 x 720 HD, 640 x 480, Cancel
Record Time: 3 minutes, 5 minutes, 10 minutes, cancel
Other parameters are the same as photo mode.

Playback Mode Menu

Pressing menu while viewing a video file will show two options.

Protect: Lock this, unlock this, lock all, unlock all, cancel

Lock: Protect your stored images and videos to stop them being deleted by accident.

Unlock: Cancel the file protect

Delete: Delete this file, Delete All, Cancel

Removable Disk

Connect the camera to the computer via USB, then turn the camera on.

“Removable disk” will appear in your computer. Double-click the disk enter the drive, where you can review and copy files in the DCIM folder.

Technical Specifications

Sensor	1.3MP Low Illumination level CMOS sensor.
Function Mode	Photo/Video/Sport Video/Playback
LCD	2.0" TFT LCD (960x240)
Lens	F3.0, f=2.3mm
Image Size	12M, 5M, 3M, 1.3M
Video Size	1280x720(HD)/30fps, 640x480(VGA)/30fps
Cycled Recording Times	3 minutes, 5 minutes, 10 minutes
Capture	Single, 2sec, 5sec, 10sec, Multi-snap
File Format	JPEG/AVI
White Balance	Auto, Daylight, Cloudy, Tungsten, Fluorescent
Storage Memory	MicroSD up to 32GB
Interface	USB 2.0
Power Supply	Built in 3.7 rechargeable lithium-ion
Dimension	69x47x30mm
Weight	48g