

The Grady Memorial Hospital Corporation

GRADY HEALTH SYSTEM



Remarkable Service Exceptional Care

GRADY HEALTH SYSTEM

Facilities Development

REQUEST FOR PROPOSAL (RFP)

FOR

Restoration of South Elevation Wall at Grady Piedmont Parking Garage

At

43 Armstrong St SE, Atlanta, GA 30313

GHS

RFP # 2017032 - RS

Request for Proposal Posted: February 26, 2020

Proposal Due: March 13, 2020

SECTION 1: GRADY HEALTH SYSTEM BACKGROUND

Grady Health System (“GHS”) is one of the Southeast’s largest public hospital systems. With a delivery system that includes affiliations with public health organizations, medical education programs, and community advocates, GHS provides quality, cost-effective, and customer focused health care to residents of metropolitan Atlanta and citizens of the State of Georgia. Grady Health System is comprised of Grady Memorial Hospital (953 licensed beds), Crestview Health and Rehabilitation Center (388 licensed long-term care beds), the Infectious Disease Center (HIV/AIDS), the Loughlin Radiation Oncology Center, the Maloof Imaging Center, six (6) community health centers, the Regional Perinatal Center, the State of Georgia Poison Control Center, the Georgia Cancer Center for Excellence, The Marcus Stroke and Neuroscience Center, Grady EMS-Atlanta’s 911 ambulance service, the region’s premiere Level I trauma center and nationally renowned emergency medicine and burn centers.

Grady Memorial Hospital opened in 1892 to provide medical care for the indigent and emergency health care for all residents of the Atlanta community. Grady is currently operated by the Grady Memorial Hospital Corporation d/b/a Grady Health System.

Medical care is provided under Contract with Emory University and Morehouse Schools of Medicine. GHS also operates three (3) professional training programs in medical technology, radiation oncology, and radiation technology. GHS averages more than 29,000 inpatient visits and more than 600,000 outpatient visits annually, including over 125,000 emergency care visits (including psychiatric emergency).

MISSION STATEMENT

Grady improves the health of the community by providing quality, comprehensive healthcare in a compassionate, culturally competent, ethical and fiscally responsible manner.

Grady maintains its commitment to the underserved of Fulton and DeKalb counties, while also providing care for residents of metro Atlanta and Georgia.

Grady leads through its clinical excellence, innovative research and progressive medical education and training.

VISION

Grady Health System will become the leading public academic healthcare system in the United States.

VALUES

At Grady, we have a higher calling and a deep sense of pride. We deliver essential care with humanity, compassion and kindness – with arms open wide to everyone in our community. Regardless of role or level in the organization, humanity starts with how we treat our coworkers and colleagues.

- Be Patient Centered
- Be Safe
- Serve Others with Excellence
- Do Right
- Do Good

PROJECT DRIVERS

1. Provide restoration for the existing Piedmont Deck south elevation wall facing the new Grady Center for Advanced Surgical Services (CASS) Site as a 2-hour rated wall to support the procurement of the building permit and construction of the new Grady CASS building.

GUIDING PRINCIPLES

1. Patient Experience
 - a. Create a consistent service delivery that exceeds expectations

The Grady Memorial Hospital Corporation d/b/a Grady Health System
Request for Proposal

- b. Offer a one-stop shop experience, bringing services to the patient
 - c. Simplify touch-points along the patient and family journey
 - d. Deliver a high-tech and high-touch communication anticipating individual needs
2. One Grady
- a. Present ourselves as a “One Grady “team
 - b. Welcome patients and providers to innovative care
 - c. Create a gateway and new specialty ambulatory “front door”
 - d. Collaborate on, align and develop best ambulatory practices
3. Center of Excellence
- a. Create Center of Excellence models in strategic outpatient service lines
 - b. Foster collaboration to work as a multi-disciplinary team
 - c. Become nationally recognized for quality as an attending led outpatient care provider
 - d. Establish reliable processes and protocols for care
4. Access to Ambulatory Care
- a. Enhance care coordination to deliver value for patients
 - b. Retain and increase patient and payer categories
 - c. Develop easy to understand and simple wayfinding
 - d. Co-locate services to minimize travel distances
5. Sustainability and Flexibility
- a. Ensure flexibility and adaptability for daily use
 - b. Standardize spaces and processes to ensure flexibility
 - c. Design infrastructure that supports future growth
 - d. Establish an environment that promotes wellness – mind, body, soul

SECTION 2: OVERVIEW

PROJECT OVERVIEW

Grady Health System intends to Contract for the services of a qualified firm to provide **Restoration Services for the existing south elevation exterior and interior wall of the Piedmont Parking Garage** facing the new Grady CASS Site to supplement the new construction. The nature of the services requested, and the duration of the projects involved require a Stipulated Sum with a not to exceed amount.

The project site is located at **43 Armstrong St SE, Atlanta, GA 30313**, bordered by Jesse Hill, Jr., Drive to the east, Armstrong Street to the north, Piedmont Avenue to the west.

The Project Manager JLL (Jones Lang Lasalle), 3344 Peachtree Rd NE #1100, Atlanta, GA 30326 is the Owner's Representation reporting directly to Grady Health and providing oversight for the Project.

The Project Architect of Record HOK, 133 Peachtree St #4800, Atlanta, GA 30303 is responsible for the overall design of the Work. Architect will lead the design process from concept through final completion of the work.

KEY ELEMENTS OF PROJECT

The Work and baseline scope include but are not limited to the following key elements of the Project.

- 1. Restoring existing south elevation exterior and interior wall of the Piedmont parking garage to a 2-hour fire rating to comply with code requirements.**

GHS reserves the right to modify the scope of work described in this RFP, which may result in a negotiated fee, subject to changes in the terms and conditions of the final agreement and final fee cost.

All Proposers understand and agree that they provide GHS the right to utilize all information, work plans, logistics, specifications and all other materials submitted by the Proposer with the RFP proposal for any purpose that GHS shall deem appropriate in conjunction with the execution of this Project.

Rates to account for all pay increases projected throughout the project (3rd quarter of 2020).

SECTION 3: RFP SCHEDULE

PRE-PROPOSAL CONFERENCES

GHS will conduct a mandatory pre-proposal conference. Representatives from the Proposers' team must be present at each pre-proposal conference and site visit. Other members of the Proposer's team may attend, but not limited to Proposers' consultants. The proposed times and locations listed below are subject to change. In response to questions arising at the pre-proposal conferences, GHS will transmit to all Proposers any addenda.

1. Pre-Proposal Conference and Site Visit will be held at **10:00AM on March 3, 2020 at 48 Armstrong Avenue, Atlanta, GA 30303**. This conference will provide each Proposer with an opportunity to have GHS address any comments and provide clarifications related to the Project.
2. Additional Pre-Bid Conferences. Additional meetings and site visits following the pre-bid conference and prior to the submission of bids may be scheduled by GHS as required. Addenda will be issued to address clarifications or comments resulting from additional pre-bid conferences.

PROPOSAL PERIOD COMMUNICATIONS

If you have any questions regarding this RFP, email your questions/concerns to:

[CENTER for ADVANCED SURGICAL SERV.PIEDMONT DECK RESTORATION WORK@docs.e-builder.net](mailto:CENTER_for_ADVANCED_SURGICAL_SERV.PIEDMONT_DECK_RESTORATION_WORK@docs.e-builder.net)

1. RFI questions are due: **March 4, 2020***
2. RFI responses will be provided on: **March 6, 2020***
3. Proposal response due date: **March 13, 2020***
4. Final Selection and Award recommendations: Week of **March 16, 2020***

Awarded Proposer shall commence work five working days from Notice to Proceed

** Date(s) are subject to change*

SECTION 4: SCOPE OF WORK & QUALITY CONTROL

SCOPE OF WORK

GHS's needs, goals, objectives and requirements relating to the Project including a scope description of the services to be performed in connection with the Project are provided below.

1. The proposer to provide fire rating services to the existing south exterior and interior wall of the Piedmont Parking Garage, but not limited to:
 - Survey existing south CMU wall at the Piedmont Parking Garage and identify cracks and holes
 - Confirm existing wall is a CMU wall and follow the requirements of a category CAZT in UL listing directory (See attached detail)
 - Confirm max joint opening is less than 1"
 - Comply with requirements for a 2-hour rating and fill all openings less than or equal to 1"
 - Use materials identified in UL design WW-D-0001
 - Provide markings per Specification Section 101470 Fire Resistance Assembly Identification on the interior surface of wall
2. The Contractor will track all cracks/holes identified and document each fill to comply with the 2-hour fire rating.
3. The Contractor will provide a plan and detailed schedule coordinating with adjacent construction projects. The Contractor should coordinate and schedule any exterior work with Skanska-Russell.
4. The Contractor will provide submittals for the product data, shop drawings and samples as specified in the Specification Section 101470.
5. The Contractor will provide identification devices that comply with the ICC International Building Code, 2012 Edition, as adopted by the State of Georgia with Georgia amendments and comply with ANSI Z53.1, "Safety Color Code for Marking Physical Hazards and the Identification of Certain Equipment."
6. The Contractor will obtain all materials from one source from a single manufacturer as specified in the Specification Section 101470
7. The Contractor will attend a Preconstruction meeting with Grady/JLL Project Management team to comply with all Grady standard operational and safety protocol. Contractor to comply with all OSHA requirements, at a minimum.
8. The Contractor will be responsible for adequate notice and coordination for any closure of any Grady staff parking. The Contractor's schedule should be based on the constraint of only being able to occupy ten (10) parking spaces at one given time. It is the Contractor's responsibility to close the parking spaces in a safe and appropriate manner.

Quality

GHS's needs, goals, objectives and requirements relating to the Project including description of the Quality Control activities to be performed in connection with the Project are provided in the Attachment A of this RFP.

The proposer is required to provide a Project Specific Quality Control plan with the proposal. Identify personnel, procedures, controls, instructions, tests, records, and forms to be used to carry out Contractor's quality-assurance and quality-control responsibilities. Coordinate with Contractor's construction schedule.

*The Grady Memorial Hospital Corporation d/b/a Grady Health System
Request for Proposal*

The proposer to provide 2-hour fire rating for the existing south exterior and interior wall at the Piedmont Parking Garage facing the new Grady CASS project site. The quality control scope includes, but are not limited to:

1. The Contractor shall submit all qualifications and requirements to Architect set forth within the Contract Documents to Architect, Engineer and Owner prior to mobilization on site.
2. The Contractor shall observe the work assigned to ascertain that, to the best of his/her knowledge, it is in conformance with the approved design drawings and specifications.
3. The Contractor shall be responsible for monitoring the submittals of product and material certifications from manufacturers and suppliers as specified in the Specifications and shall report to the Owner, Architect, and Engineer when those submittals are not made in a timely manner.
4. The Contractor shall submit a final report stating whether the work requiring fire rating was, to the best of the inspector's knowledge, in conformance to the approved plans and specifications.

SECTION 5: EVALUATION CRITERIA AND PROCESS

GHS intends to award a Contract to the Proposer whose proposal is considered to be the most advantageous to GHS and provides the “best value” in terms of Expertise, Project Approach and Delivery, Reputation for Quality and Service, Cost, and most clearly aligns with the Project Drivers. The selection of the Proposer deemed to be both responsible and to offer the “best value” to GHS shall be reserved to the sole discretion of GHS. The experience and qualifications of the proposed key personnel are critical to having a successful proposal. GHS reserves the right to reject all proposals.

GHS requires the successful Proposer to exhibit the highest standards of integrity and work ethics (e.g. confidentiality, diligence and professionalism) and possess specialized experience in providing the proposed services.

Within all responses to this RFP the Proposer must provide the following information and approach. We recommend ordering the response in alignment with the major headings.

The response should be presented in a narrative format that the firm would typically use to deliver an offer and scope of services to a client. The response should contain a description of services, schedule, resources, and company terms and conditions and/or exceptions to the RFP and the Agreement.

PROPOSAL EVALUATION CRITERIA

1. **Price.** The Proposer’s price will be 25 percent of the total weight of consideration given to all criteria factors. Submit under separate cover as described in SECTION 6 of this RFP.
 - a. Provide a breakdown of proposed fees as shown in the table below. For consistency, fees shall be broken down by scope of work.
 - b. Fees shall be all-inclusive for the scope of work outlined in this RFP, including all meetings, site trips, and expenses.
 - c. Provide a “per trip” fee for meetings, site visits, or inspections etc. that may occur above and beyond those indicated in this RFP.

2. **Business Deal Structure**
 1. Contract Time.
 2. Contract Price. The Proposer will provide work plan.
 - a. The Fee shall be a Stipulated Sum with a not to exceed amount
 - b. The Fee structure shall include a detailed Work Plan that shows:
 - i. The proposed timeline for each phase and sub phase and any other work activities anticipated completing the intended scope. Minimum scaled timeline on the work plan shall be by the week; maximum scaled timeline of the work plan shall be by the month.
 - ii. Work plan shall identify assigned personnel with their respective hourly billing rates for term.
 - iii. Provide rate schedules through 3rd quarter of 2020.
 - iv. Rates shall include all labor burden.
 - v. Additional fees such as, trip fee, project management fee, mobilization fee, etc. should be clearly stated in the proposal for further evaluation.
 - vi. The proposer to provide clear delineation of cost set forth within their proposal. Proposer to fill out the cost breakout table show below for consistency:

*The Grady Memorial Hospital Corporation d/b/a Grady Health System
Request for Proposal*

Cost Item	Proposed Cost
<u>Construction Phase</u>	
• General Conditions	
• Mobilization (Provide # included in the Contract pricing.)	
• Site Trips	
• Material	
• Equipment	
<u>Acceptance Phase</u>	
• Site Trips	
Total Lump Sum:	

3. **Key Personnel Experience and Qualifications.** The Proposer’s strength of team will be 30 percent of the total weight of consideration given to all criteria factors.

a. ORGANIZATIONAL BACKGROUND

- Provide a brief history of the organization with emphasis on any corporate reorganization that has occurred in the last three (3) years, office locations, and information documenting the company’s financial position (i.e. financial statements, annual reports).
- Indicate name and the business address of the entity, or individual that will be the party to the proposed Contract and the Proposer’s business telephone number, fax number, and e-mail address.
- Indicate the type of ownership (sole proprietorship, partnership, corporation, joint venture, or limited liability company—list state in which incorporated) and parent company, if any.
- ☐ Provide the name, address, and telephone number of the point of contact that will serve as the authorized negotiator(s) for the Proposer. The authorized negotiator shall have the authority to act on behalf of the Proposer and make binding commitments for the Proposer and any sub-consultants concerning this RFP.
- ☐ Please disclose any ownership and/or relationships with Grady Health System and /or the Grady Memorial Hospital Corporation d/b/a Grady Health System.
- ☐ Disclose whether the proposing entity, or any shareholder, member, partner, officer or employee thereof, is presently a party to any pending litigation, or has received notice of any threatened litigation or claim directly or indirectly bearing on GradyHealth System.
- Disclose the name and title of any of Grady Health board members, officers, administration, employees, contracted employees or independent contractors that are employed by or affiliated with the Proposer’s organization. This includes but is not limited to the Proposer’s board members, committee members and advisors to the Proposer’s organization, holding company or any owned subsidiary.
- ☐ Contract work cannot be financially associated with any of the contractors or vendors prior to engaging in this Contract, to avoid potential conflicts of interest.

b. STAFFING PLAN AND STAFF CREDENTIALS

- Provide proposed staffing plan. Include description of job accountabilities for each key position.

- Provide resumes or business service descriptions for other key personnel, including the lead supervisor for the restoration work. Each resume should include the person's name, title, authority and responsibilities in the Project, past project experiences, education licenses, and professional affiliations. Show the experience of past relevant projects, years of experience, and years with current company. Consider availability, other current projects and percent of commitment
 - Project Team Experience: Show the overall experience of the project team in relation to projects of similar scope, size and complexity.
 - Team Member Availability: Show the availability of the team considering current project assignments and their commitment to these projects.
 - Team Attitude: Demonstrate collaborative work with GHS, JLL, Contractors, and Facilities. This work will be ongoing with the Grady CASS project; corporation and coordination with the Skanska-Russell Construction team will be required.
- c. PREVIOUS EXPERIENCE
- The Bidder shall have experience in providing similar scope of work in similar institutions as described in this RFP. The firm must have gained this experience as a result of being regularly engaged in the business of providing fire rating restoration services.
4. **Work Approach.** The Proposer's project approach and innovation shall be 30 percent of the total weight of consideration given to all criteria factors.
- a. APPROACH AND WORK PLAN
- Describe your concept for deploying the required resources to the Project. Describe any on-site needs to be provided by Grady Health System.
 - Identify the best practices and conditions that should be applied.
 - Identify the practices and the factors that are most likely to impede producing a highly successful project.
 - Project Communication Plan: Show how the team will identify and communicate with Stakeholders (Owners, Project Manager, etc.).
 - Risk Identification and Mitigation Plan: Demonstrate an understanding of the project through identification of potential risks with examples of possible mitigation plans.
 - Project Closeout Plan: Provide a plan for project closeout to include warranty period.
 - Overall Understanding of Project: Show the overall understanding of the project, the user, risks, project specific needs, and site conditions.
5. **Interview and Presentation.** The Proposer's interview and presentation will be 15 percent of the total weight of consideration given to all criteria factors.

SECTION 6: REPRESENTATIONS AND INSTRUCTIONS

VENDOR REGISTRATION

All vendors are required to complete a Vendor Registration Application through the GHS electronic vendor registration process prior to visiting any location or department of the health system. The registration allows GHS to have a complete profile of the vendors and all representatives that visit the health system to solicit products and services to GHS. The electronic Vendor Registration Application can be completed on the GHS website at www.gradyhealth.org/suppliers.

RESPONSE GUIDELINES

The information required by this RFP is comprehensive and necessary for accurate Proposer selection. The entire RFP Submission shall be limited to **NO MORE THAN 50 PAGES TOTAL**, not including the Price submitted under a different cover, cover and tabs separating each section, and not including form A, B, C, D, E. Please be concise with answers. Each applicable question must be answered. For questions deemed not applicable, please state "not applicable".

The response to this RFP must be submitted with one (1) original hard copy along with electronic PDF copy as described below. Additionally, one (1) original hard copy of the Cost Proposal must be submitted under a separate cover along with the proposal response. The RFP response and Cost Proposal must be separate PDF files but may be including in the same email. No faxed copies will be accepted.

Proposals must be completed and returned in the same format. Your RFP response, in its entirety, will be included in the subsequent Contract negotiated between GHS and the selected Proposer. All documents shall be submitted in a sealed container sufficient to protect and maintain the confidentiality of the contents and/or to indicate loss of confidentiality. Container must indicate this **RFP#2017032-Res** and the name of the company submitting the Proposal on the outside of the container.

All responses to the RFP must be delivered to Stephen C. Smith, Director Facilities Development no later than Friday, March 13, 2020 @ 3:00 p.m. EST.

All forms in Appendices A, B, C, D and E must be signed by an officer of the firm having the authority to make such offers, verifying that the Proposal is valid and will remain valid.

Any cost incurred in the preparation and presentation of this response is to be absorbed by the Proposer. All documents submitted will become the property of GHS unless otherwise requested in writing by Proposer at the time of submission. Further, any materials submitted by Proposer that should be considered "CONFIDENTIAL" must be clearly marked as such. Submission of any materials, confidential or otherwise, will implicitly grant the right of use by the Corporation. All portions of the Proposal that are not designated as confidential will become part of the public record following an award. Documents designated as confidential will be treated as such to the extent permitted by law, including but not limited to the Georgia Open Records Act.

SUBMISSION GUIDELINES

Proposers are forbidden to contact, directly or indirectly anyone other than Matt Smith (JLL, Owner's Representative). Proposers are also strictly forbidden to attempt to influence, through internal or external third-party sources the outcome of this RFP. Your submission to this RFP serves as your confirmation that you, your firm and anyone acting as an agent, representative or influencer on behalf of your firm has not engaged in any action that may be construed as an attempt to influence the outcome of this RFP.

RFP TERMS AND CONDITIONS

Compliance with GHS terms and conditions of the Architectural Services Agreement are required for any Proposer selected to provide goods, equipment, or services by the awarding of any RFP.

RFP COMPLETION

Acceptance of Proposer's Proposals: GHS reserves the right to accept or reject any Proposal, change these specifications or waive any formalities. Should it be necessary to modify an application to fulfill the needs of GHS, GHS will retain exclusive rights of ownership and use of all design documents, programs, and documentation developed. The Proposals, as submitted, will be the basis for Contract negotiations and will be included in any Contract between GHS and the selected Proposer.

Representations made within the Proposals will be binding on responding Proposer. Proposer's responses should be written in a concise and forthright manner. Proposers may be excluded from further consideration for failure to fully comply with the specifications of this RFP, including the failure to return ALL required documents, as well as, not using the forms and files as included. GHS will not be responsible for any costs associated with Proposals as submitted.

Proposer Selection: GHS reserves the right to make an award based solely on the Proposals as submitted, or any other basis, or to negotiate further with one or more Proposers. The Proposer(s) selected will be chosen on the basis of greatest benefit to GHS, as determined by GHS, and not necessarily on the basis of the lowest price. Award of a Contract, if any, resulting from this RFP, will be subject to the terms and conditions of GHS purchasing policies. Upon completion of the initial review and evaluation of the Proposals, selected Proposers may be invited to participate in oral presentations.

Full Right of Selection and Rejection: The right to reject in its entirety or to select a Proposer providing other than the lowest cost product is reserved. GHS reserves the right to select and award, at its option, the runner-up's Proposal in the event the selected offer for award or Proposer receiving the award, upon further review and solely in the opinion of GHS, fails to meet all qualifications or specifications or proves to be a selection not in the best interest of GHS.

Proposal Open Record: If a request to inspect the Proposal, or any portion thereof, is made by a third party, GHS will endeavor to treat all materials requested to be kept confidential and non-disclosed to the extent provided by the Georgia Open Records Act. The Proposer understands that GHS may be subject to the provisions of such Act together with the Uniform Trade Secrets Act. GHS will endeavor to inform the Proposer of any third party request for disclosure of such information pursuant to the Georgia Open Records Act or as may be otherwise made to GHS.

If the Proposer requests that such information be held confidential and not disclosed by GHS, the Proposer will assume the defense of such position, up to and including litigation, and will indemnify, save and hold harmless GHS, its officers and employees, from any expense, fees, costs or liability associated with such third party request or such litigation. If the Proposer does consider the Proposal or any portion thereof to contain confidential information, it shall submit a letter on the Proposer's letterhead signed by the owner or Chief Executive Officer, requesting that GHS treat the Proposal confidential and private information to the extent possible under Georgia law. Otherwise, the Proposer agrees that its' submission may be deemed as public information.

Regulatory and Ethical Compliance: No Proposal shall be accepted from, and no Contract will be awarded to, any person, firm or corporation that, within the past five years, has been found in non-compliance with Georgia statutes or the standards and rules set by the Ethics Commission of the State of Georgia. (<http://www.ethics.state.ga.us>).

*The Grady Memorial Hospital Corporation d/b/a Grady Health System
Request for Proposal*

Prior to any Contract award, GHS will verify that the prospective Proposer's company, officers and/or principals are not presently debarred, suspended, proposed for debarment, declared ineligible, or voluntarily excluded from transactions by any Federal department or agency. This will be verified through the Office of Inspector General (OIG). If the Proposer and/or its principles appear on the OIG list, GHS reserves the right to reject the Proposer's Proposal and refuse award of a Contract.

Notice of Award: The notice of award is issued by Stephen Smith. Unsuccessful Proposers shall be notified in writing, after award has been made.

APPENDIX A

REPRESENTATIONS, CERTIFICATIONS, AND OTHER STATEMENTS OF PROPOSERS

****REQUIRED INPUT WITH SUBMISSION****

CERTIFICATION

The undersigned certifies that he/she has read, understands, and agrees to be bound by the terms and conditions of the Request for Proposal (RFP#2017032-Res). The undersigned further certifies that he/she is legally authorized by the Proposer to make the statements and representations on this form, and that said statements and representations are true and accurate to the best of his/her knowledge and belief. The undersigned understands and agrees that if the Proposer makes any knowingly false statements, or if there is a failure of the successful Proposer (i.e., contractor) to implement any of the stated agreements, intentions, objectives, goals, and commitments set forth herein without the prior approval of GHS, then the Proposer's act or omission shall constitute a material breach of the Contract. The right to terminate shall be in addition to and not in lieu of any other rights and remedies GHS may have for defaults under the Contract. Additionally, the Proposer may be prohibited from obtaining future Contracts awarded by GHS. GHS reserves the right to terminate any Contract where a material breach has occurred.

NAME: _

TITLE: _

COMPANY: _

ADDRESS: _

TELEPHONE: _

FACSIMILE: _

E-MAIL: _

(SIGNATURE)

DATE

Appendix B
BID FORM

To: Grady Health System

Project: Restoration of South Elevation Exterior Wall at Piedmont Parking Garage
RFP Number: 2017032-Res

Date:

Submitted by:
(Full name)
(Full address)

.....

1. OFFER

Having examined the Place of the Work, all matters referred to in the Invitation For Bids, and the sample General Conditions of Contract including the Engagement Letter in Exhibit A prepared by Grady Health System for the above mentioned project, we, the undersigned, hereby offer to enter into a Contract to perform the professional services requested for:

RESTORATION OF SOUTH EXTERIOR WALL for THE PIEDMONT PARKING GARAGE (RFP#: 2017032-Res)
for the GMP of:

.....dollars, and 00/100
in lawful money of the United States of America, \$.00

2. ACCEPTANCE

This offer shall be open to acceptance [and is irrevocable] for sixty [60] days from the bid closing date. If this bid is accepted by Grady Health System- Facilities Development within the time period stated above, we will:
-Execute the Agreement within two [2] days of receipt of Notice of Award.
-Furnish the required Insurance within two (2) days of receipt of Notice of Award.
-Commence work within five [5] calendar days after written Notice to Proceed of this bid.

3. CONTRACT TIME

All professional services will be completed in accordance with the mutually agreed upon project schedule including all due dates that will be set forth in the Engagement Letter upon project award.

4. ADDENDA

The following Addenda have been received, and the associated modifications considered, and all costs are included in the Bid Lump Sum Price.

Addendum#..... Dated.....
Addendum#..... Dated.....
Addendum #..... Dated.....

*The Grady Memorial Hospital Corporation d/b/a Grady Health System
Request for Proposal*

5. APPENDICES

The following documents are attached to and made a condition of the Bid:

- Item 1: Appendix A:
Representations, Certifications, and Other Statements of Proposers
- Item 2: Appendix B:
Bid Form
- Item 3: Appendix C:
Solicitation/Contract Form
- Item 4: Appendix D:
Intent to Submit RETURNED TO THE HEALTH SYSTEM BY 3:30 P.M. ON
THE DAY OF THE MANDATORY PRE-BID MEETING
- Item 5: Appendix E:
Supplier Diversity
- Item 6: Experience, Approach, Work-plan, Staffing Plan and Credentials, and Previous Experience
- Item 7: Proof of ability to provide specified insurances
- Item 8: Cost Proposal including work plan
- Item 9: Technical Design, Conceptual Design, Project Approach and Innovation
- Item 10: Design Schedule

6. BID FORM SIGNATURES

The Corporate Seal of

(Bidder - print the full name of your firm)
was hereunto affixed in the presence of:

(Authorized signing officer (Seal))

(Title)

If the Bid is a joint venture or partnership, add additional forms of execution for each member of the joint venture in the appropriate form or forms as above.

APPENDIX "B"

**COST PROPOSAL AND ALL ASSOCIATED DOCUMENTATION MUST BE SUBMITTED UNDER SEPARATE COVER AS
INSTRUCTED**

APPENDIX C: SOLICITATION/CONTRACT FORM

REQUEST FOR PROPOSAL NUMBER: 2017032-Res

RFP DESCRIPTION: Restoration of South Elevation Wall at Piedmont Parking Garage

PROPOSAL RESPONSES MUST ARRIVE NO LATER THAN **3:00 p.m. EDT, March 13th, 2020.**

NOTE: Mark the outside lower-left corner of your submission with the RFP number shown above.

Questions regarding RFP# 2017032-Res should be directed to Matt Smith no later than 3:00 p.m. EDT, March 4, 2020.

You are invited to submit your Proposal for the services listed within this RFP.

Deliver responses to:

HAND DELIVERY/ COURIER ADDRESS

Grady Health System
Facilities
Development
22 Piedmont Avenue | Suite 300
Atlanta, GA 30303

MAILING ADDRESS

Grady Health System
Facilities Development 80 Jesse Hill, Jr., Drive SE
Atlanta, GA 30303

*NOTE: FAXED OR E-MAILED RESPONSES WILL NOT BE ACCEPTED.

Director, Facilities Development

Date: _

PLEASE BE ADVISED: Proposers must complete and return all pages required with Proposal submission.
Failure to return these completed pages with responses may result in non-consideration of Proposal submission.

Please acknowledge receipt of the following Addenda to the solicitation documents below by entering the number and the date of each:

Addendum No.: _____ Date: _

Addendum No.: _____ Date: _

*The Grady Memorial Hospital Corporation d/b/a Grady Health System
Request for Proposal*

NAME OF RESPONDING FIRM: _

NAME OF COMPANY OFFICER: _

(Company officer must have authority to legally bind the company)

TITLE: _

DATE: _

(MANDATORY) SIGNATURE OF COMPANY OFFICER BELOW (Certifying agreement with specifications, terms and conditions unless otherwise noted).

Signature

Appendix D: INTENT TO SUBMIT

This letter serves as notification of intent to submit or not to submit a proposal for the Request for Proposal Number: 2017032-Res

Please scan a copy before 3:30 pm, the day of the mandatory pre-bid meeting to:

Stephen C. Smith
Director Facilities
Development Grady Health
System Facilities Development
22 Piedmont Avenue
Suite 300
Atlanta, Georgia 30303

e-dress: [CENTER for ADVANCED SURGICAL SERV.PIEDMONT DECK RESTORATION WORK@docs.e-builder.net](mailto:CENTER_for_ADVANCED_SURGICAL_SERV.PIEDMONT_DECK_RESTORATION_WORK@docs.e-builder.net)

(Name of Representative)

acting as representative of _____,

(Name of Firm)

hereby offer our intent to:

- D Submit a response to the request for services in this RFP.
- D Decline to submit a response to the request for services in this RFP.

Reason: _____

(Print Name)

(Signature)

(Title)

(Date)

(Telephone / Fax Numbers)

(e-dress)

SECTION 7: SUPPLIER DIVERSITY

Please refer to Appendix E

(attached)

APPENDIX E

SUPPLIER DIVERSITY

It is an overall objective of GHS to encourage involvement by Diverse Business Enterprises as contractors and suppliers in business activities generated by GHS, while assuring that such activities will be conducted in accordance with all applicable laws. It is the declared policy and intent of GHS to strive to maximize participation of Diverse Business Enterprises through all business contracting opportunities. GHS is committed to ensuring that Diverse Business Enterprises are given every opportunity to participate in contracting opportunities.

In adherence to GHS's commitment to Supplier Diversity, Contracted GHS suppliers must clearly as defined by GHS, demonstrate good faith effort to achieve the Supplier Diversity goal set forth. By reporting to GHS Direct Tier II goods and/or services purchased from Diverse Business Enterprises certified by one (1) or more of the third party certification agencies recognized by GHS. Such spend with Diverse Business Enterprises will be monitored. In connection with such monitoring, Contractor will be required to report Diverse Supplier Spend to GHS quarterly in a manner in GHS's sole discretion. In addition, a copy of reported Diverse Supplier spend, must be attached with the submission of any invoices to GHS

GHS prohibits discrimination on the basis of race, color, gender, religion, national origin, or disability in connection with employment of any person, or the award of any contract. GHS will provide equal opportunities without regard to race, color, gender, religion, national origin, or disability, by requiring that any vendor doing business with GHS provide equal opportunity to persons and businesses employed by, or contracting with the supplier of products and services to GHS. GHS® expects that the policies, programs and practices of its vendors/Contractors are carried out in an equitable fashion and that Certified Diverse Business Enterprises are afforded an equitable opportunity to share in contract/subcontract opportunities.

The Supplier Diversity Goal is 30 % of the contract value.

GHS® expects that the policies, programs and practices of its vendors/Contractors are carried out in an equitable fashion and that Certified Diverse Business Enterprises are afforded an equitable opportunity to share in contract/subcontract opportunities.

Vendors interested in doing business with GHS® are required to sign the Certification below and complete the Supplier Diversity Section in its entirety and submit it with their bid response.

Past Performance: Offeror shall (1) summarize in writing its past performance for client healthcare institutions in actively fostering the participation of Diverse Business Enterprises utilized by the institution, (2) provide three (3) or more client references for this purpose for whom it has provided applicable service to within the past two (2) years, with the name, phone number and e-mail of a specific knowledgeable contact person for each such client reference.

Present Commitment: Offeror shall submit in writing its present commitment and business plan to facilitate and promote the participation of Diverse Suppliers by completion of the attached Diverse Supplier Subcontracting Plan (DSSP). Diverse Business Enterprises utilized as Tier II contractors and suppliers must be certified by one or more of the 3rd Party Certification Agencies recognized by GHS.

Post-award Performance: The specific, measurable performance criteria included in the Proposal for present commitment to Diverse Suppliers shall, subject to negotiation and mutual consent, become part of the awarded contract as specific, measurable requirements of vendor performance for the duration of the contract. Such spend with Diverse Business Enterprises will be monitored. In connection with such monitoring Vendor will be required to report to GHS quarterly, in a manner in GHS's sole discretion, all direct and/or indirect certified spend with Diverse Business Enterprises.

Proposal Open Record: If a request to inspect the Proposal, or any portion thereof, is made by a third party, GHS will endeavor to treat all materials requested to be kept confidential and non-disclosed to the extent provided by the Georgia Open Records Act. The Offeror understands that GHS may be subject to the provisions of such Act together with the Uniform Trade Secrets Act. GHS will endeavor to inform the Offeror of any third party request for disclosure of such information pursuant to the Georgia Open Records Act or as may be otherwise made to GHS.

If the Offeror requests that such information be held confidential and not disclosed by GHS, the Offeror will assume the defense of such position, up to and including litigation, and will indemnify, save and hold harmless GHS, its officers and employees, from any expense, fees, costs or liability associated with such third party request or such litigation. If the Offeror does consider the Proposal or any portion thereof to contain confidential information, it shall submit a letter on the Offeror's letterhead signed by the owner or Chief Executive Officer, requesting that GHS treat the Proposal confidential and private information to the extent possible under Georgia law. Otherwise, the Offeror agrees that its' submission may be deemed as public information.

Regulatory and Ethical Compliance: No Proposal shall be accepted from, and no contract will be awarded to, any person, firm or corporation that, within the past five years, has been found in non-compliance with Georgia statutes or the standards and rules set by the Ethics Commission of the State of Georgia. (<http://www.ethics.state.ga.us>).

Prior to any contract award, GHS will verify that the prospective Offeror's company, officers and/or principals are not presently debarred, suspended, proposed for debarment, declared ineligible, or voluntarily excluded from transactions by any Federal department or agency. This will be verified through the Office of Inspector General (OIG). If the Offeror and/or its principles appear on the OIG list, GHS reserves the right to reject the Offeror's Proposal and refuse award of a contract.

Notice of Award: The notice of award is issued by the Procurement/Contracting Department. Unsuccessful Offerors shall be notified in writing, after award has been made.

RFQ Definition: Diverse Business Enterprise's

(MBE) National Minority Supplier Development Council: A minority-owned business is a for-profit enterprise, regardless of size, physically located in the United States or its trust territories, which is 51% owned, operated and controlled by minority group members, defined from the following:

Asian-Indian - A U.S. citizen whose origins are from India, Pakistan or Bangladesh.

Asian-Pacific -A U.S. citizen whose origins are from Japan, China, Indonesia, Malaysia, Taiwan, Korea, Vietnam, Laos, Cambodia, the Philippines, Thailand, Samoa, Guam, the U.S. Trust Territories of the Pacific or the Northern Marianas.

African American - A U.S. citizen having origins in any of the Black racial groups of Africa.

Hispanic - A U.S. citizen of Hispanic heritage, from any of the Spanish-speaking areas of the following regions: Mexico, Central America, South America or the Caribbean Basin only.

Native American - A person who is an American Indian, Eskimo, Aleut or Native Hawaiian, and regarded as such by the community of which the person claims to be a part.

(WBE) Women's Business Enterprise National Council: A Woman-Owned Business Enterprise is an independent business concern that is at least 51% owned and controlled by one or more women who are U.S. citizens or Legal Resident Aliens; whose business formation and principal place of business are in the US or its territories; and whose management and daily operation is controlled by one or more of the women owners.

(LGBTBE) National Gay and Lesbian Chamber of Commerce: Includes business physically located in the United States or its trust territories that are at least 51 percent unconditionally owned and operated by at least one lesbian, gay, bisexual and/or transgender (LGBT) person or persons who are either U.S. citizens or lawful permanent residents. In addition, they must exercise independence from any non-LGBT business enterprise.

U.S. Small Business Administration: As defined by the Small Business Act, a small business concern is "one that is independently owned and operated and which is not dominant in its field of operation." *Small Business* -- Depending on the industry, 'small' is defined by either the number of employees or average annual receipts of a business concern. Website reference for size standards by NAICS code is www.sba.gov/services/contractingopportunities/sizestandardstopics/index.html.

(DBE) Small Disadvantaged Business - A small business that is at least 51 percent owned, operated and controlled by one or more individuals who are both socially and economically disadvantaged.

(SBE) Small Business Enterprise - Includes businesses physically located in the United States or its trust territories that are independently owned and operated, not dominant in its field of operation, with 500 or fewer employees (maximum allowable employees to qualify as a Small Business Enterprise may be greater than 500, depending on your industry).

HUB Zone Business - A small business operating in a "Historically Underutilized Business Zone." HUB zones are defined at <http://map.sba.gov/hubzone/init.asp>

Veteran Business Enterprise:

(VBE) Veteran-Owned Business - A small business that is at least 51% owned, operated and controlled by one or more veterans.

(DVBE) Service-Disabled Veteran-Owned Business - A small business that is at least 51% owned, operated and controlled by one or more veterans with a service-connected disability.

BUSINESS IDENTIFICATION AND NONDISCRIMINATION
(TO BE SUBMITTED WITH BID)

				Yes	No
Small Business as defined by the US. Small Business Administration (DBE, SBE, Hub Zone)					
Minority Business Enterprise (MBE) If yes, please indicate the percentage of minorities who own, control or operate your company:					
African American	%	Asian American	%		
Hispanic/Latino	%	Pacific Islander	%		
Native American	%	Other	%		
WOMAN-OWNED BUSINESS ENTERPRISE (WBE)					
DISABLED VETERAN BUSINESS ENTERPRISE OR VETERAN BUSINESS ENTERPRISE (DVBE, VBE)					
IS YOUR COMPANY CERTIFIED AS ONE OF THE BUSINESS DESIGNATIONS ABOVE? If yes, please give the certifying agency and include a copy of your current certification with your bid response. The 3 rd party certifying agencies recognized and accepted by GHS are included.					
LOCAL SMALL BUSINESS If yes, please indicate in which county your company is located? ____ DeKalb ____ Fulton ____ Business location in both counties ____ Other					

PART II - NONDISCRIMINATION POLICIES AND PROCEDURES

	Yes	No
Are you an individual and do not employ anyone? If yes, you do not need to complete the remainder of the questions.		
Does your company have an Equal Employment Opportunity/Affirmative Action statement posted on company bulletin boards?		
Do you notify all recruitment sources in writing of your company's Equal Employment Opportunity/Affirmative Action employment policy?		
Do your company advertisements contain a written statement that you are an Equal Employment Opportunity/Affirmative Action employer?		
Do you belong to any unions? If yes, have you notified each union in writing of your commitments to non-discrimination?		
Does your company have a collective bargaining agreement with workers? If yes, do the collective bargaining agreements contain non-discrimination clauses and/or your Equal Employment Opportunity policy covering all workers?		
Does your company, at least annually, maintain a written record of and review the Equal Employment Opportunity policy and Affirmation Action obligations with all employees including those having any responsibility for employment decisions?		
Do you conduct, at least annually, an inventory and evaluation of minority and female personnel for promotional opportunities and encourage these employees to seek, train and prepare for such opportunities?		
Do you conduct, at least annually, a review, of all supervisors' adherence to and performance under the vendors, and Contractor's Equal Employment Opportunity policies and Affirmative Action obligations?		
Is there a person in your company who is responsible for Equal Employment Opportunity? If yes, please give name, phone and email address.		

Please explain any no answers, use additional paper as necessary:

Authorized Representative Signature: _____ Date: _____

**DIVERSE SUPPLIER SUBCONTRACTING PLAN (PROGRAM MANAGEMENT
(TO BE SUBMITTED WITH BID)- SUPPLIER DIVERSITY**

The following are questions concerning the efforts your company will make to ensure that Diverse Supplier's will have an equitable opportunity to compete for lower tier subcontracts associated with the Grady Health System agreement:

What product/service areas do you envision the inclusion of Diverse Suppliers and how is this determined?____

How are Diverse Supplier capabilities determined by your company?_____

How will you ensure the maximum possible inclusion of Diverse Suppliers in all of your purchasing solicitations (i.e. Request for Proposals, Request for Information, and Request for Quotes, etc.)?_____

How will your company ensure that Diverse Suppliers are made aware of upcoming subcontracting opportunities and how will you prepare them to respond appropriately?_____

How will you monitor your company's Diverse Supplier subcontracting performance to this agreement and make any adjustments to achieve the subcontracting plan goals?_____

Will your Diverse Supplier subcontracting administrator:

Yes / No

_____ Develop and maintain Offerors' lists of Diverse Suppliers from all possible sources

_____ Oversee the establishment and maintenance of your company's contract and subcontract award records associated with this Grady Health System agreement?

_____ Conduct or arrange the training of your company's purchasing personnel on the Grady Health System agreement goals and processes to achieve this goal?

_____ Review purchasing solicitation documents to remove statements, clauses, etc. which may tend to prohibit Diverse Supplier participation

_____ Screen proposed purchasing solicitation documents for subcontracting opportunities and implement appropriate procurement policies and procedures to improve and increase opportunities to Diverse Suppliers

_____ Introduce Diverse Suppliers to company purchasing personnel based on commodity or service in which these vendors may have a mutual or potential concern

_____ Maintain records demonstrating that procedures have been adopted and implemented to comply with the reporting requirements and supplier diversity goals within the Grady Health System

_____ Prepare and submit monthly, required Diverse Supplier reports to Grady Health System?

DIVERSE SUPPLIER SUBCONTRACTING PLAN (DSSP) PG.2
(DIRECT SUPPLIER DIVERSITY REPORTING)

In adherence to GHS's commitment to Supplier Diversity, GHS suppliers must clearly as defined herein demonstrate good faith effort, for Tier II direct goods and/or services to be purchased from Diverse Business Enterprises certified by one or more of the 3rd party certification agencies recognized by GHS. Such spend with Diverse Business Enterprises will be monitored. In connection with such monitoring Contracted GHS Suppliers will be required to report to GHS monthly, in a manner in GHS's sole discretion, all direct spend with Certified Diverse Business Enterprises. The Supplier Diversity Goal Direct and/or Indirect Tier II for this Solicitation is 30 % of the contract value.

Company Name: _____ Agreement Term: _____
 GHS Business Unit: _____ GHS Business Unit Contact Name: _____
 Phone Number: _____ Vendor Contact e-mail: _____

Description of goods/services provided under this primary agreement (include name of project if applicable):

Who will be responsible for coordinating your company's Diverse Supplier subcontracting activities during the period of this contract?

Name/Title: _____ Company: _____
 Address: _____ Phone: _____
 Fax: _____ E-Mail Address: _____

State the total dollar value planned to be subcontracted associated with this GHS agreement:

Please list all of the 3rd Party Certified Diverse Suppliers you have identified that will serve as Direct Tier 2 Subcontractors associated with this GHS project and the projected spend amounts with each company:

Vendor Name	Address	Contact	Phone	E-Mail	Certification Type	Business Classification (Product/Service)	Direct Projected Spend in Dollars	Direct Projected Spend by Percentage

Submitted by:

 Authorized Representative Signature

 Title

 Date

**CERTIFICATION OF EFFORTS
(TO BE SUBMITTED WITH BID) – SUPPLIER DIVERSITY**

Vendor: _____ **Solicitation Name:** _____

Solicitation Number _____

I certify that the following efforts were made to achieve Certified Diverse Supplier participation.

- a) Provided written notices to certified diverse business enterprises who have the capability to perform the work of the contract or to provide the service **__Yes __No**
- b) Direct mailing, electronic mailing, facsimile or telephone requests **__Yes __No**
- c) Provided interested certified diverse business enterprises with adequate information about plans, requirements and specifications of the contract in a timely manner to assist them in responding to a solicitation **__Yes __No**
- d) Allowed certified diverse business enterprises the opportunity to review specifications and all other solicitation related items at no charge, and allowed sufficient time for review prior to the bid deadline **__Yes __No**
- e) Acted in good faith with interested certified diverse business enterprises, and did not reject certified diverse business enterprises as unqualified or unacceptable without sound reasons based on a thorough investigation of their capabilities **__Yes __No**
- f) Did not impose unrealistic conditions of performance on certified diverse business enterprises seeking subcontracting opportunities **__Yes __No**
- g) Additionally, I contacted the referenced certified diverse business enterprises and requested a bid. The responses I received were as follows:

Name and Address of certified diverse business enterprises	Type of work and Contract Items, Supplies or Services to be Performed	Response	Reason for Not Accepting Bid

(If additional space is required this form may be duplicated)

If applicable, please complete the following:

I hereby certify that certified diverse business enterprises were “Unavailable” or “Unqualified” to submit bids to provide goods and services for this Solicitation response. I further certify that efforts have been made to establish “Joint Ventures”, and said entities were also unavailable at this time.

Reasons for the “Unavailability” or being determined “Unqualified”;

Submitted by:

Authorized Representative

Signature Title

Date _____

STATEMENT OF INTENT

TO BE COMPLETED BY ALL KNOWN JOINT VENTURE PARTNERS/ SUBCONTRACTORS/CONSULTANTS
(TO BE SUBMITTED WITH BID)- SUPPLIER DIVERSITY

Vendor: _____

Solicitation Name: _____

Solicitation Number: _____

_____ agrees to enter into a contractual agreement with
Prime Supplier

_____, who will provide the following goods/services
Joint Venture Partner/Subcontractor/Consultant

in connection with the above referenced Solicitation as a certified diverse business enterprise:

for an estimated amount of \$ _____ or _____ % of the total contract value.

Prime Supplier

Joint Venture Partner /Subcontractor/Consultant

Intend to work together in accordance with this Contract Compliance Section of the bid, contingent upon award and execution of a contract with Grady Health System with to the aforementioned Prime Supplier.

I hereby certify that this statement is true and correct:

Prime Supplier Signature:

Print Name:

Title:

Date:

Joint Venture/Subcontractor/Consultant
Signature:

Print Name, Title and Date:

Address:

Phone

Fax:

SUPPLIER DIVERSITY CERTIFICATION:

I certify that the statements made by me in this Supplier Diversity Section are complete and true to the best of my knowledge and belief, and are made in good faith. I understand that if I knowingly make any misstatements of facts, I am subject to disqualification and debarment from participation in future GHS contracting opportunities, held liable for breach of contract and subject to the enforcement of any remedies available under the contract or as a matter of contract law. I agree that no changes shall be made to this section without the written consent of GHS.

Authorized Representative Signature

Title

Date

Attachment A:

1. Specification Section 101470 (Attached)
2. Pricing Narrative and Details provided by HOK (Attached)

SECTION 101470

FIRE RESISTANCE ASSEMBLY IDENTIFICATION

PART 1 - GENERAL

1.1 RELATED DOCUMENTS

- A. Drawings and general provisions of the Contract, including General and Supplementary Conditions and Division 01 Specification Sections, apply to this Section.

1.2 SUMMARY

- A. This Section includes the following fire resistance assembly identification materials and their installation:
 - 1. Fire resistance rated partition markers.
 - 2. Ceiling access panel and door markers.
 - 3. Stencils.
- B. Related Sections include the following:
 - 1. Division 09 "Gypsum Board Assemblies" for additional requirements.

1.3 SUBMITTALS

- A. Product Data: Include material descriptions, dimensions of individual components and profiles, and finishes for each type of product indicated.
- B. Shop Drawings: Floor plans or reflected ceiling plans drawn to scale and showing proposed location of identification devices and coordinating with penetrations through partitions, piping, ductwork, and other construction.
- C. Samples: For color, letter style, and graphic representation required for each identification material and device.

1.4 QUALITY ASSURANCE

- A. Source Limitations: Obtain each identification device through one source from a single manufacturer.
- B. Regulatory Requirements: Provide identification devices that comply with the ICC International Building Code, 2012 Edition, as adopted by the State of Georgia with Georgia amendments.
- C. Comply with 29 CFR 1910.145, "Specifications for Accident Prevention Signs and Tags."

- D. Comply with ANSI Z53.1, "Safety Color Code for Marking Physical Hazards and the Identification of Certain Equipment."

1.5 COORDINATION

- A. Coordinate identification names, abbreviations, colors, and other features with requirements in the Contract Documents, Shop Drawings, and with those required by codes, standards, and 29 CFR 1910.145. Use consistent designations throughout Project.
- B. Coordinate installation of identifying devices with completion of covering and painting of surfaces where devices are to be applied.
- C. Coordinate installation of identifying devices with location of ceiling access panels and doors.
- D. Install identifying devices before installing acoustical ceilings and similar concealment.

PART 2 - PRODUCTS

2.1 FIRE RESISTANCE ASSEMBLY IDENTIFICATION DEVICES

- A. Fire Resistance Rated Partition Markers: 1/16-inch thick, engraved, color-coded laminated plastic. Include contact-type, permanent adhesive.
 - 1. Terminology: To match the fire resistance rating of the partition, as follows:
 - a. "ONE HOUR FIRE RATED PARTITION."
 - b. "TWO HOUR FIRE RATED PARTITION."
 - 2. Letter Color: Red, complying with ANSI Z53.1.
 - 3. Background Color: White, complying with ANSI Z53.1.
- B. Access Panel and Door Markers: 1/16-inch thick, engraved, color-coded laminated plastic. Include contact-type, permanent adhesive.
 - 1. Terminology: To match the fire resistance rating of the partition to which the access panel or door provides access, as follows:
 - a. "ONE HOUR FIRE RATED PARTITION."
 - b. "TWO HOUR FIRE RATED PARTITION."
 - 2. Letter Color: Red, complying with ANSI Z53.1.
 - 3. Background Color: White, complying with ANSI Z53.1.

2.2 STENCILS

- A. Stencils: Prepared with minimum letter height of 1 inch fire resistance rated partition markers and access panel and door markers.
 - 1. Stencil Material: Metal or fiberboard.
 - 2. Stencil Paint (For Letters): Exterior, gloss, acrylic enamel, red, unless otherwise indicated. Paint may be in pressurized spray-can form.
 - 3. Identification Paint (For Background): Exterior, acrylic enamel, white, unless otherwise indicated.

2.3 AUXILIARY MATERIALS

- A. General: Provide auxiliary materials that comply with manufacturer's written recommendations.
- B. Adhesive: Adhesive recommended for directly adhering identification devices to continuous substrate.
 - 1. Use adhesives that have a VOC content of 80-g/L or less when calculated according to 40 CFR 59, Subpart D (EPA Method 24).

PART 3 - EXECUTION

3.1 APPLICATIONS, GENERAL

- A. Products specified are for applications referenced in Division 09 Sections. If more than single-type material, device, or label is specified for listed applications, selection is Installer's option.

3.2 FIRE RESISTANCE ASSEMBLY IDENTIFICATION

- A. Install fire resistance rated partition markers with permanent adhesive on each fire resistance rated partition above the finished ceiling and below access flooring.
 - 1. Letter Size: Minimum 1 inch high. Provide all upper case letters.
 - 2. Include markers for the following general categories of fire resistance rated partitions:
 - a. Fire walls.
 - b. Vertical fire separation assemblies.
 - c. Fire partitions.
 - d. Smoke barriers.
 - 3. Locate markers where accessible and visible above the finished ceiling, below access flooring, and as follows:
 - a. Near each ceiling access panel and door.
 - b. Spaced at maximum intervals of 8 feet on center along each fire resistance rated partition.

- c. Located on both sides of each fire resistance rated partition.
 - d. Where there is no finished ceiling in mechanical and maintenance spaces, locate markers at least 9-feet above the finished floor.
- B. Install ceiling access panel and door markers on the inside of the panels and doors with permanent adhesive on each ceiling access panel and door that provides access to fire resistance rated partitions.
 - 1. Letter Size: Minimum 1-inch high. Provide all upper case letters.
 - 2. Locate markers where accessible and visible on the inside of the ceiling access panels and doors.
- C. Stenciled Marker Option: Stenciled markers may be provided instead of laminated-plastic markers, at Installer's option. Install stenciled markers on each fire resistance rated partition and ceiling access panel and door.
 - 1. Identification Paint: Use for contrasting background.
 - 2. Stencil Paint: Use for letters marking.

3.3 ADJUSTING

- A. Relocate identification materials and devices that have become visually blocked by other work.

3.4 CLEANING

- A. Clean faces of identification devices.

END OF SECTION 101470

Grady - CASS

HOK Pricing Narrative 2019-12-06

HOK 18.16013

Pricing Narrative for use of existing Piedmont Wall facing the new Grady CASS Structure as a 2 hour rated wall, replacing the exterior 2 hour CMU wall on the Grady CASS building.

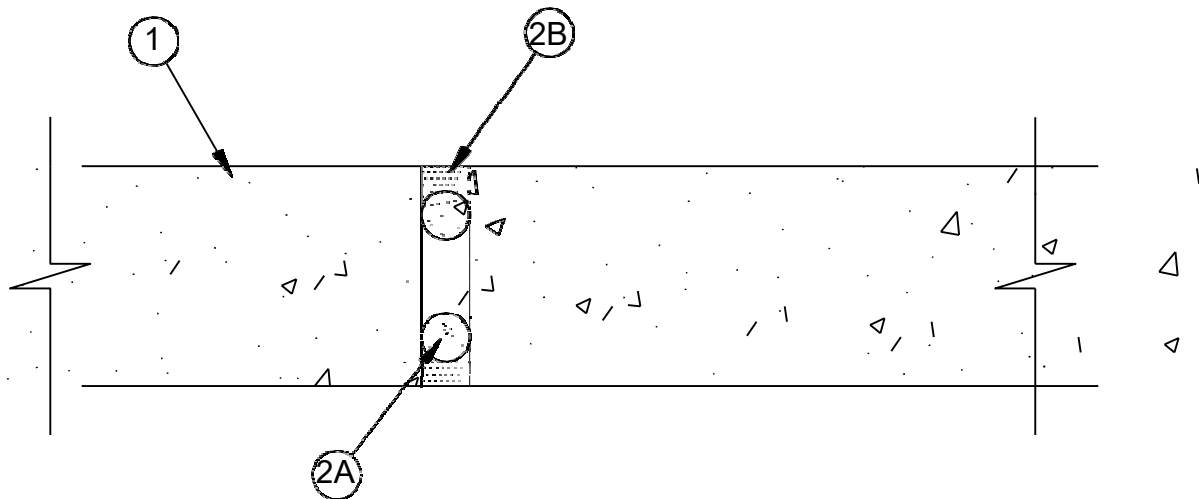
1. Existing Piedmont CMU wall would be surveyed, with all cracks and holes identified.
2. Confirm existing wall is CMU wall consisting of a CMU wall conforming to requirements of category CAZT in UL listing directory. Confirm max joint opening is less than 1"
3. All openings less than or equal to 1" would use materials identified in UL design WW-D-0001 to fill openings. Comply with requirements for a 2-hour rating.
4. Provide markings per Section 101470 Fire Resistance Assembly Identification on the interior surface of the wall.

System No. WW-D-0001

İ89WWDÇÂ!ÈADÇ!7.eÎ

Assembly Ratings - 2 and 3 Hr (See Item 2B)
L Rating At Ambient - Less Than 1 CFM/LIN. Ft
L Rating At 400 F - Less Than 1 CFM/LIN. Ft
Nominal Joint Width - 1 In.

Class II Movement Capabilities - 12.5% Compression Or Extension



1. **Wall Assembly** - Min 4-1/2 in. (114 mm) thick reinforced lightweight or normal weight (100-150 pcf or 1600-2400 kg/m³) structural concrete. Wall may also be constructed of any UL Classified **Concrete Blocks***.

See **Concrete Blocks** (CAZT) category in the Fire Resistance Directory for names of manufacturers

2. **Joint System** - Max width of joint (at time of installation of joint system) is 1 in. (25 mm). The joint system is designed to accommodate a max 12.5 percent compression or extension for its installed width. The joint system shall consist of the following:

A. **Packing Material** - Open or closed cell polyethylene or polyurethane foam backer rod installed in joint opening as a permanent form. Packing material to be recessed from both surfaces of wall to accommodate the required thickness of fill material.

B. **Fill, Void or Cavity Material*- Sealant** - Fill material applied within the joint, flush with each surface of wall. Min 1/2 in. (13 mm) thickness required for 2 hr assembly rating. Min 1-1/2 in. (38 mm) thickness required for 3 hr assembly rating.

SPECIFIED TECHNOLOGIES INC - Pensil 300 Sealant or SpecSeal Series SIL300 Sealant

* Indicates such products shall bear the UL or cUL Certification Mark for jurisdictions employing the UL or cUL Certification (such as Canada), respectively.



Specified Technologies Inc. 213 Evans Way Somerville, NJ 08876

Reproduced courtesy of Underwriters Laboratories, Inc.

Created or Revised: January 23, 2014

(800)992-1180 • (908)526-8000 • FAX (908)231-8415 • E-Mail:techserv@stifirestop.com • Website:www.stifirestop.com



WW-D-0001
PAGE 1 OF 1



XHBN.WW-D-0001 - JOINT SYSTEMS

Design/System/Construction/Assembly Usage Disclaimer

- Authorities Having Jurisdiction should be consulted in all cases as to the particular requirements covering the installation and use of UL Certified products, equipment, system, devices, and materials.
- Authorities Having Jurisdiction should be consulted before construction.
- Fire resistance assemblies and products are developed by the design submitter and have been investigated by UL for compliance with applicable requirements. The published information cannot always address every construction nuance encountered in the field.
- When field issues arise, it is recommended the first contact for assistance be the technical service staff provided by the product manufacturer noted for the design. Users of fire resistance assemblies are advised to consult the general Guide Information for each product category and each group of assemblies. The Guide Information includes specifics concerning alternate materials and alternate methods of construction.
- Only products which bear UL's Mark are considered Certified.

XHBN - Joint Systems

See General Information for Joint Systems

System No. WW-D-0001

November 19, 2008

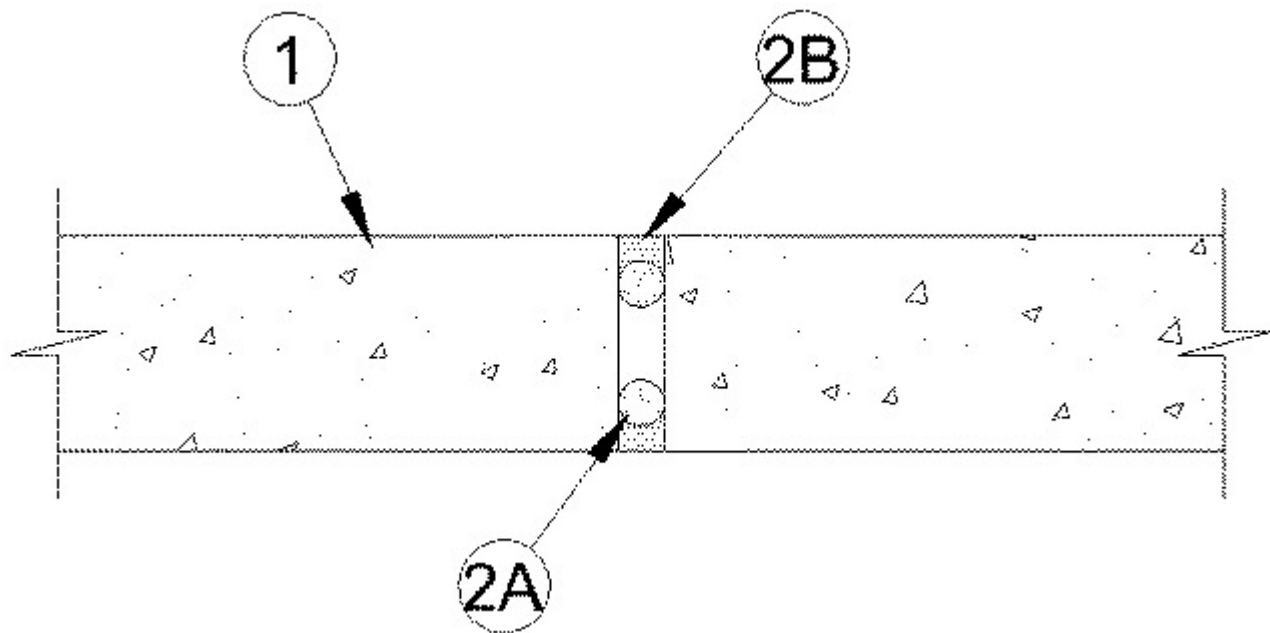
Assembly Ratings — 2 and 3 Hr (See Item 2B)

L Rating At Ambient — Less Than 1 CFM/LIN. Ft

L Rating At 400 F — Less Than 1 CFM/LIN. Ft

Nominal Joint Width — 1 In.

Class II Movement Capabilities — 12.5% Compression Or Extension



1. Wall Assembly — Min 4-1/2 in. (114 mm) thick reinforced lightweight or normal weight (100-150 pcf or 1600-2400 kg/m³) structural concrete. Wall may also be constructed of any UL Classified Concrete Blocks*. See Concrete Blocks (CAZT) category in the Fire Resistance Directory for names of manufacturers

2. Joint System — Max width of joint (at time of installation of joint system) is 1 in. (25 mm). The joint system is designed to accommodate a max 12.5 percent compression or extension for its installed width. The joint system shall consist of the following:

A. Packing Material — Open or closed cell polyethylene or polyurethane foam backer rod installed in joint opening as a permanent form. Packing material to be recessed from both surfaces of wall to accommodate the required thickness of fill material.

B. Fill, Void or Cavity Material* — Sealant — Fill material applied within the joint, flush with each surface of wall. Min 1/2 in. (13 mm) thickness required for 2 hr assembly rating. Min 1-1/2 in. (38 mm) thickness required for 3 hr assembly rating.

SPECIFIED TECHNOLOGIES INC — Pensil 300 Sealant or SpecSeal Series SIL300 Sealant

*** Indicates such products shall bear the UL or cUL Certification Mark for jurisdictions employing the UL or cUL Certification (such as Canada), respectively.**

Last Updated on 2008-11-19

The appearance of a company's name or product in this database does not in itself assure that products so identified have been manufactured under UL's Follow-Up Service. Only those products bearing the UL Mark should be considered to be Certified and covered under UL's Follow-Up Service. Always look for the Mark on the product.

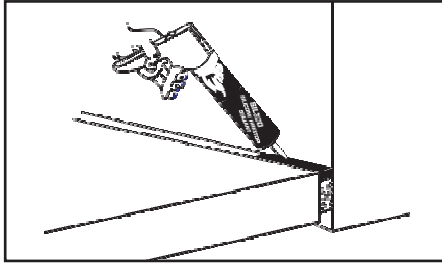
UL permits the reproduction of the material contained in the Online Certification Directory subject to the following conditions: 1. The Guide Information, Assemblies, Constructions, Designs, Systems, and/or Certifications (files) must be presented in their entirety and in a non-misleading manner, without any manipulation of the data (or drawings). 2. The statement "Reprinted from the Online Certifications Directory with permission from UL" must appear adjacent to the extracted material. In addition, the reprinted material must include a copyright notice in the following format: "© 2019 UL LLC"



SERIES SIL SILICONE FIRESTOP SEALANT

APPLICATIONS

SpecSeal® Series SIL Silicone Firestop Sealant is used to seal both through-penetration firestop systems and joint systems. Representative systems have been tested involving primarily non-combustible penetrants, electrical, data, or telephone cables, construction gaps, expansion joints, curtain wall safing applications, and top-of-wall joints.



FEATURES

- **Low Modulus** allows dynamic movement in joints.
- **Auto Bonding** allows fresh sealant to adhere to cured sealant.
- **Excellent Water Resistance** for water-tight sealing; including Class 1 W Ratings (UL 1479).
- **Ozone and UV Resistant** for excellent weathering ability and long service life.
- **Excellent Chemical Resistance** protects in polluted or corrosive atmospheres.
- **Excellent Adhesion** to most building substrates.
- **Excellent Smoke Seal**
- **Neutral Cure**

REQUIREMENTS

The silicone firestop sealant shall be a one-part, neutral-cure meeting the requirements of ASTM C920. The firestop sealant shall be UL Classified and tested to ASTM E814 (UL 1479), ASTM E1966 (UL 2079), and CAN/ULC-S115. Class 1 W Ratings per UL 1479 shall be available for a variety of different firestop systems.

APPROVED DIVISIONS

- DIV. 7 07 84 00 Firestopping
- DIV. 7 07 92 00 Joint Sealants
- DIV. 22 22 00 00 Plumbing
- DIV. 23 23 00 00 HVAC
- DIV. 26 26 00 00 Electrical

PRODUCT DESCRIPTION

SpecSeal® Series SIL Silicone Firestop Sealant is a one-part, neutral-curing silicone sealant exhibiting superior performance in applications where sealing openings in walls and floors are needed to control the spread of fire, smoke, toxic gasses, and water during fire conditions.

SpecSeal® Series SIL Silicone Firestop Sealant reacts with atmospheric moisture to form a high-strength, durable seal that will adhere to most building substrates without the use of primers. SpecSeal® products do not contain asbestos or PCBs.

BASIC USES:

SpecSeal® Series SIL Silicone Firestop Sealant is designed for use in firestop systems for through penetrations and joints. This product excels in applications where greater water resistance is required. Systems have been tested for Class 1 W Ratings per UL 1479.

SpecSeal® Series SIL Silicone Firestop Sealant is available in non-sag (SIL300) and self-leveling (SIL300SL) grades and may also be used to seal vertical and horizontal joints between metals, masonry, concrete and other common construction materials. SpecSeal® Series SIL Silicone Firestop Sealant is specially designed for use in static or dynamic joints. The low modulus characteristic minimizes strain on the substrate surface and the elastomeric quality allows excellent recovery from extension and compression cycling.

PERFORMANCE

SpecSeal® Series SIL Silicone Firestop Sealants are the basis for systems that meet the exacting criteria of ASTM E814, (UL 1479), ASTM E1966 (UL 2079), ASTM E1399, as well as the time-temperature requirements of ASTM E119 (UL 263). Firestop systems for both joint systems and through penetration firestops have been tested with ratings up to 4 hours. See UL Systems for more specific information.

Additionally, SpecSeal® Series SIL Silicone Firestop Sealant meets ASTM C920, "Standard Specification for Elastomeric Joint Sealants". For SIL300, the product is listed as Type S, Grade NS, Class 50, Use A, G, M, O. For SIL300SL, the product is listed as Type S, Grade P, Class 25, Use A, G, M, O.

Finally, SIL300 (non-sag) has been evaluated by NSF Laboratories for inclusion in Lubrizol's FGG/BM/CZ CPVC System Compatible program.

PHYSICAL PROPERTIES

Typical Properties – As Supplied		
Property	SIL300 (Non-Sag)	SIL300SL (Self-Leveling)
Consistency	Trowelable	Pourable
Percent Solids	100%	85%
VOC, ASTM D2369	20 g/L	< 47 g/L
Tooling Time	25-30 minutes	25-30 minutes
Tack Free, ASTM C679 (77°F, 50%RH)	3-4 hours	50-60 minutes
Sag/Slump, ASTM D2202	0.1" max	N.A.
Storage Temperature	<80F (27C)	<80F (27C)
Installation Temperature	-35°F to 140°F (-37°C to 60°C)	-35°F to 140°F (-37°C to 60°C)
Shelf Life	18 mos	18 mos
Storage Warranty Period*	12 mos	12 mos
Weight Per Gallon	11.6 lbs/gal	11.5 lbs/gal
Viscosity	1,200,000 cps	25,000 cps

Table A: Typical Properties – Cured		
Property	SIL300 (Non-Sag)	SIL300SL (Self-Leveling)
Color	Concrete (limestone)	
Hardness, Durometer (Type A Indentor), ASTM D2240	24	26
Ultimate Tensile Strength, ASTM D412	341 psi (2.35 MPa)	110 psi (0.76 MPa)
Ultimate Elongation, ASTM D412	715%	600%
Tensile at 100% Elongation, ASTM D412	73.2 psi (0.50 MPa)	60 psi (0.41 MPa)
Peel Strength (21 day cure @ 77°F/50 RH), ASTM C794	56.6 pli	12 pli
Movement Capability		
ASTM C719	± 50%	± 50%
ASTM E1399	± 35%	± 15%
In Service Temperature	-35°F (-37°C) to 350°F (177°C)	-35°F (-37°C) to 300°F (149°C)
Weathering & U.V. Resistance	Excellent	Excellent
Flame Spread Index, ASTM E84 or UL723	5	
Smoke Developed Index, ASTM E84 or UL723	45	
STC Rating	61 (Relates to specific construction) (ASTM E90-04/ASTM C919)	

*From date of shipment if stored in original unopened container at 80°F (27°C)



Technical Service 1-800-992-1180
www.stifirestop.com

INSTALLATION INSTRUCTIONS

SpecSeal® Series SIL Silicone Firestop Sealant is approved for a variety of through-penetration firestop systems and joint applications. Some typical installations have been illustrated here to assist in the selection of the proper installation method. Space limitations preclude highly detailed information pertaining to individual application systems. Please consult the STI Product and Application Guide, as well as the UL Fire Resistance Directory for additional information.

Preparation: All surfaces to receive SpecSeal® Series SIL Silicone Firestop Sealant must be clean, sound, dry, frost-free, and free of bond-breaking contaminants and loose material. Clean as necessary by wire brush, mechanical abrading, grinding, blast cleaning, or wiping with a suitable solvent to remove any contaminants. Mask all areas where adhesion is undesirable. Do not apply to wet or frost covered surfaces.

Forming: Some installations may require forming as either an integral part of the system or as an option to facilitate installation. In systems where forming is required, mineral wool batt insulation (minimum 4 lb./cu. ft. or 64 kg/m³ density) is recommended for use in through-penetrations and joints. Where forming materials are required, cut oversized to allow for tight packing. Some individual joint systems may specify a minimum compression factor to allow designed amount of movement. Position forming material as required for the proper depth of fill material.

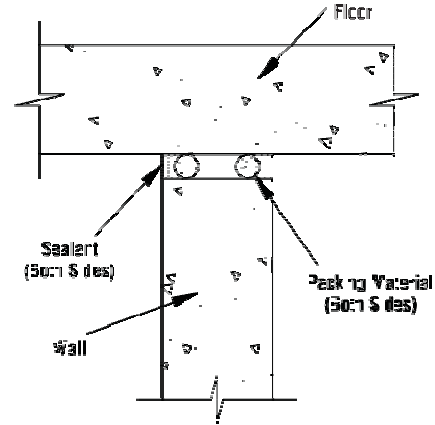
Fill Material: SpecSeal® Series SIL300 Silicone Firestop Sealant may be installed by caulking using a standard caulking gun or from bulk containers using a bulk loading caulking gun, or by manually troweling using a trowel or putty knife. SIL300SL may be installed by pouring the sealant into the opening and allowing it to find level. If the sealant tends to pull back from a surface, clean the surfaces using the methods described above and reapply. Install sealant to required depth. For SIL300, work sealant into all areas with a tooling knife exercising care to eliminate voids or seams. In gypsum wall board penetrations, crown sealant a minimum of 1/4" (7 mm) from penetrant to wall board surface at a point approx. 1/2" (13 mm) or more from opening. For applications involving cable bundles, spread cables sufficiently to ensure that sealant completely seals all cables and totally fills all voids to the required depth. Exercise care when using SIL300SL that packing material has been installed tightly into opening to prevent leakage of fill material.

Priming: SpecSeal® Series SIL Silicone Firestop Sealants have primerless adhesion to many construction materials including untreated or uncoated concrete. Jobsite trial applications are recommended if contact surfaces are in any way questionable. Application of a suitable primer may remedy adhesion difficulties for questionable concrete surfaces. Contact the factory for primer recommendations.

Masking: The use of masking tape is recommended where appropriate to insure a neat job and to protect adjoining surfaces. Do not allow masking tape to touch clean surfaces to which the silicone sealant is to adhere. Masking tape should be removed immediately after the finish tooling of the SpecSeal® Series SIL Silicone Firestop Sealant.

Smoke Sealing: SpecSeal® Series SIL Silicone Firestop Sealants make an excellent smoke seal. Apply to gaps and seams to prevent the passage of smoke. Some SpecSeal Firestop Collar designs utilize SpecSeal® Series SIL Silicone Firestop Sealants as the smoke seal. Please consult the STI Product and Application Guide, as well as the UL Fire Resistance Directory for additional information.

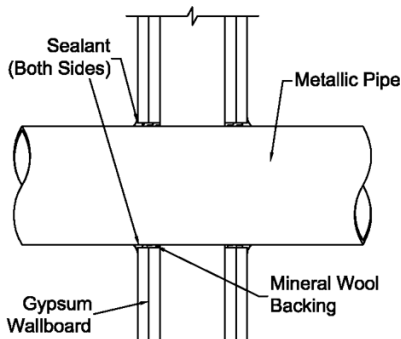
Fig. 1: HEAD OF WALL



UL SYSTEM HW-D-0312

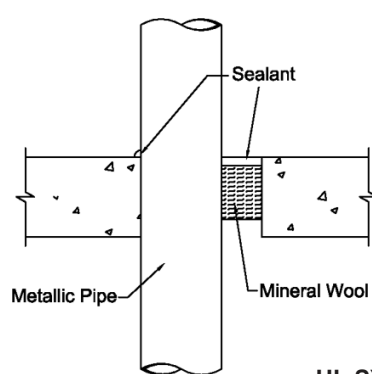
Assembly Ratings - 2 and 3 Hr
 Nominal Joint Width - 1 in.
 Class II Movement Capabilities - 12.5% Compression or Extension
 L Rating At Ambient - Less Than 1 CFM/Lin Ft.
 L Rating At 400° F - Less Than 1 CFM/Lin Ft.

Fig. 2: MISCELLANEOUS METALLIC PIPE PENETRATIONS



UL SYSTEM W-L-1033

F Rating: 2 hr • T Rating: 0 hr
 Steel Pipe: 6", Copper Pipe or Tubing: 4"
 Sealant Depth: 1/4" (within annulus) + 1/4" Crown
 Forming Material: Nom 4 pcf Mineral Wool
 Tightly Packed to a 1" Depth.



UL SYSTEM C-AJ-1198

F Rating: 3 hr • T Rating: 0 hr
 Steel or Iron Pipe: 24", Copper Pipe: 6"
 Annulus: Point Contact to 2 1/4" • Sealant Depth: 1/2"
 Forming Material: Nom 4 pcf Mineral Wool
 Tightly Packed to a 4" Depth.

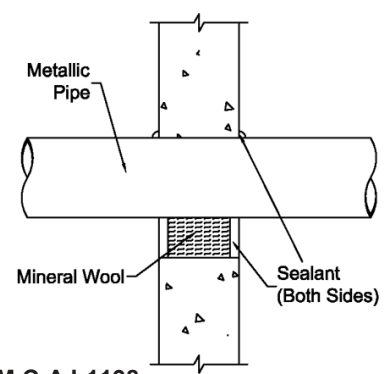


Table A: SEALANT REQUIREMENTS IN CUBIC INCHES PER 1/4 INCH OF INSTALLED DEPTH*

PIPE SIZE	Trade Size in. (mm)	Pipe O.D. in. (mm)	Diameter of Opening - in. (mm)											
			1.5 (38)	2.0 (51)	3.0 (76)	4.0 (102)	5.0 (127)	6.0 (152)	7.0 (178)	8.0 (203)	10 (254)	12 (305)	14 (356)	26 (660)
0.5 (13)	0.840 (21)		0.3 (4.9)	0.6 (9.8)	1.6 (26.2)	3.0 (49.2)	4.8 (78.7)	6.9 (113.0)	9.5 (155.7)	12.4 (203.2)	19.5 (319.5)	28.1 (460.5)	38.3 (627.6)	132.6 (2173)
1.0 (25)	1.315 (33)		0.1 (1.6)	0.4 (6.6)	1.4 (22.9)	2.8 (45.9)	4.6 (75.4)	6.7 (109.8)	9.3 (152.4)	12.2 (200.0)	19.3 (316.3)	27.9 (457.2)	38.1 (624.3)	132.4 (2170)
1.5 (38)	1.900 (48)				1.1 (18.0)	2.4 (39.3)	4.2 (68.8)	6.4 (104.9)	8.9 (145.8)	11.9 (195.0)	18.9 (309.0)	27.6 (452.3)	37.8 (619.4)	132.0 (2163)
2.0 (51)	2.375 (60)				0.7 (11.5)	2.0 (32.8)	3.8 (62.3)	6.0 (98.3)	8.5 (139.2)	11.5 (188.4)	18.5 (309.7)	27.2 (445.7)	37.4 (568.6)	131.6 (2157)
2.5 (64)	2.875 (73)				0.1 (1.6)	1.5 (24.6)	3.3 (54.1)	5.4 (88.4)	8.0 (131.1)	10.9 (178.6)	18.0 (295.0)	26.7 (437.5)	36.9 (604.7)	131.1 (2148)
3.0 (76)	3.500 (79)					0.7 (11.5)	2.5 (41.0)	4.7 (77.0)	7.2 (118.0)	10.2 (167.1)	17.2 (281.9)	25.9 (424.4)	36.1 (591.6)	130.3 (2135)
3.5 (89)	4.000 (102)						1.8 (29.5)	3.9 (63.9)	6.5 (106.5)	9.4 (154.0)	16.5 (270.4)	25.1 (411.3)	35.3 (578.5)	129.6 (2124)
4.0 (102)	4.500 (114)						0.8 (13.1)	3.0 (49.2)	5.6 (91.8)	8.5 (139.3)	15.6 (255.6)	24.2 (396.6)	34.4 (563.7)	128.7 (2109)
6.0 (152)	6.625 (168)		*Different Sealant Depth?						1.1 (18.0)	4.0 (65.5)	11.1 (181.9)	19.7 (322.8)	29.9 (490.0)	124.2 (2035)
8.0 (203)	8.625 (219)		1/2" (12.7) Multiply by 2								4.9 (80.3)	13.6 (222.9)	23.8 (390.0)	118.0 (1934)
10.0 (254)	10.750 (273)		5/8" (15.9) Multiply by 2.5									5.6 (91.8)	15.8 (259.0)	110.0 (1803)
12.0 (305)	12.750 (324)		1" (25.4) Multiply by 4										6.6 (108.1)	100.8 (1652)
24.0 (610)	24.000 (610)		1-1/4" (31.8) Multiply by 5											19.6 (321.2)

Table B: PRODUCT ESTIMATION INFORMATION (Construction Joints)

JOINT	PER 1/4" INSTALLED DEPTH			PER 1/2" INSTALLED DEPTH			PER 1" INSTALLED DEPTH		
	WIDTH in. (mm)	CU IN/FT (cm ³ /m)	FT/GAL (m/L)	GAL/100 FT (L/100 m)	CU IN/FT (cm ³ /m)	FT/GAL (m/L)	GAL/100 FT (L/100 m)	CU IN/FT (cm ³ /m)	FT/GAL (m/L)
0.5 (13)	1.5 (79)	154.0 (12.4)	0.65 (8.1)	3.0 (158)	77.0 (6.2)	1.3 (16.4)	6.0 (317)	38.5 (3.1)	2.6 (32.2)
0.75 (19)	2.3 (121)	102.0 (8.2)	0.95 (11.8)	4.5 (238)	51.3 (4.2)	1.9 (23.6)	9.0 (476)	25.7 (2.1)	3.9 (48.4)
1.0 (25)	3.0 (158)	77.0 (6.2)	1.3 (16.4)	6.0 (317)	38.5 (3.1)	2.6 (32.2)	12.0 (634)	19.3 (1.6)	5.2 (65.5)
1.5 (38)	4.5 (238)	51.0 (4.1)	2.0 (24.8)	9.0 (476)	25.7 (2.1)	3.9 (48.4)	18.0 (951)	12.8 (1.0)	7.8 (96.7)
2.0 (51)	6.0 (317)	38.0 (3.1)	2.6 (32.2)	12.0 (634)	19.3 (1.6)	5.2 (64.5)	24.0 (1269)	9.6 (0.8)	10.4 (129.0)
2.5 (64)	8.0 (423)	31.0 (2.5)	3.3 (40.9)	15.0 (793)	15.4 (1.2)	6.5 (80.6)	30.0 (1586)	7.7 (0.6)	13.0 (161.2)
3.0 (76)	9.0 (476)	25.0 (2.0)	3.9 (48.4)	18.0 (951)	12.8 (1.0)	7.8 (96.7)	36.0 (1903)	6.4 (0.5)	15.6 (193.4)
3.5 (89)	11.0 (581)	22.0 (1.8)	4.6 (57.0)	21.0 (1110)	11.0 (0.9)	9.1 (112.8)	42.0 (2220)	5.5 (.045)	18.2 (225.7)
4.0 (102)	12.0 (634)	19.0 (1.5)	5.2 (64.5)	24.0 (1269)	9.6 (0.8)	10.4 (129.0)	48.0 (2537)	4.8 (0.39)	20.8 (257.9)
5.0 (127)	15.0 (793)	15.0 (1.2)	6.5 (80.6)	30.0 (1586)	7.7 (0.6)	13.0 (161.2)	60.0 (3172)	3.9 (0.32)	26.0 (322.4)
6.0 (152)	18.0 (951)	12.0 (1.0)	7.8 (96.7)	36.0 (1903)	6.4 (0.5)	15.6 (193.4)	72.0 (3806)	3.2 (0.26)	31.2 (386.9)

TABLE IS FOR ESTIMATING PURPOSES ONLY

MAINTENANCE

Inspection: Installations should be inspected periodically for subsequent damage. Any damage should be repaired using SpecSeal® products per the original approved design. Cut away damaged material and reapply sealant as required. NOTE: New penetrants of a different nature than the original design may require a totally new firestop design or extensive modifications to the existing design. Reseal all openings as per the requirements of the modified design.

TECHNICAL SERVICE

Specified Technologies Inc. provides toll free technical support to assist in product selection and appropriate installation design. UL Systems, Material Safety Data Sheets and other technical information is available at the Technical Library at www.stifirestop.com.

PRECAUTIONARY INFORMATION:

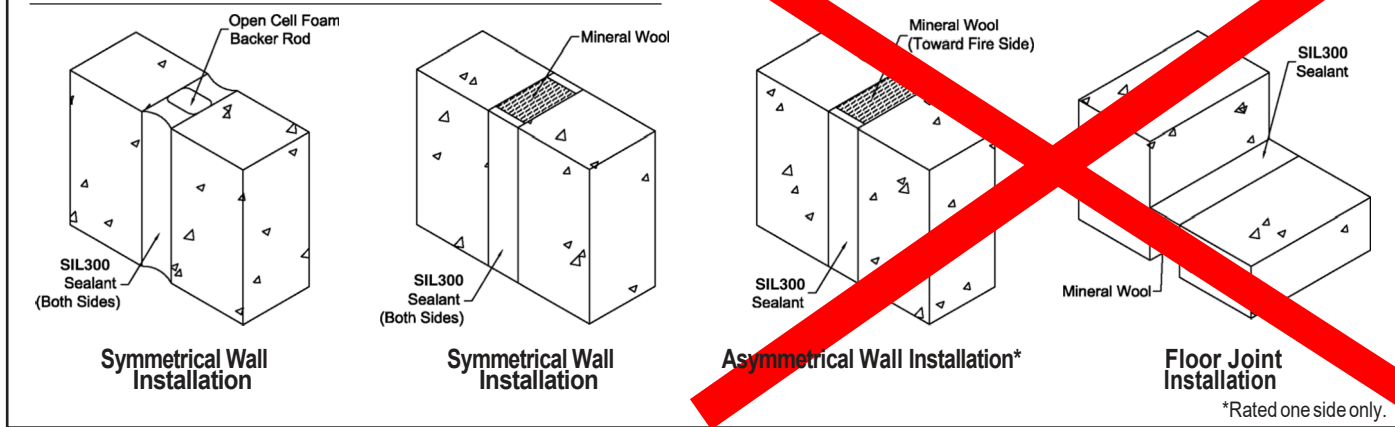
Avoid contact with eyes. Uncured product may irritate eyes on contact. Use only in well ventilated areas. To clean areas of skin contact, wipe off uncured material with a dry cloth or paper towel prior to washing. Waterless hand cleaners are particularly effective while sealant is uncured. Consult Material Safety Data Sheet for additional information on the safe handling and disposal of this material.

AVAILABILITY

SpecSeal® Series SIL Silicone Firestop Sealants are available from authorized STI distributors worldwide. Visit www.stifirestop.com or call US Toll Free: 800.992.1180 or Outside US: +1 908 526 8000 for information concerning where to purchase these and other STI products.



Fig. 3: TYPICAL JOINT INSTALLATION METHODS



*Rated one side only.

ORDERING INFORMATION

CAT. NO.	DESCRIPTION
SIL300	10.1oz Tube (300ml) 18.2cu.in.
SIL305	4.5Gal. Pail (17.0liters) 1,037cu.in.
SIL320	20 oz. Sausage Tube (592 ml) 36 cu. in
SIL305SL	Self-leveling 4.5Gal. Pail (17.0liters) 1,037cu.in.
SIL320SL	Self-leveling 20 oz. Sausage Tube (592ml) 36 cu. in

IMPORTANT NOTICE: All statements, technical information, and recommendations contained herein are based upon testing believed to be reliable, but the accuracy and completeness thereof is not guaranteed.

LIMITED WARRANTY: STI warrants that its products will be free of defects for one year from the date of purchase. In the event a product does not conform to this warranty, the sole and exclusive remedy is, at STI's option, replacement of the product or refund of the purchase price. The warranty provided herein shall be void and of no effect in the event that the product is not installed in accordance with STI's published instructions, listed systems and applicable building and safety codes. THIS WARRANTY IS IN LIEU OF ALL OTHER REPRESENTATIONS AND EXPRESSED OR IMPLIED WARRANTIES (including the implied warranties of merchantability or fitness for a particular use) AND UNDER NO CIRCUMSTANCES SHALL STI BE LIABLE FOR ANY DIRECT, INDIRECT, SPECIAL, INCIDENTAL OR CONSEQUENTIAL DAMAGES OR LOSSES, INCLUDING, WITHOUT LIMITATION, ANY LOSS OF REVENUE, PROFIT OR USE. Prior to use, the user shall determine the suitability of the product for its intended use, and the user assumes all risks and liability for subsequent use. No person other than an officer of STI is authorized to bind STI to any other warranty for any product for which this warranty is issued.

MADE IN THE USA – COPYRIGHT © 2016 SPECIFIED TECHNOLOGIES INC.

	<p>SpecSeal® SIL Silicone Firestop Sealant FILL, VOID, OR CAVITY MATERIALS FOR USE IN JOINT SYSTEMS & THROUGH-PENETRATION FIRESTOP SYSTEMS. SEE UL ONLINE CERTIFICATIONS DIRECTORY.</p>		<p>FBC SYSTEM COMPATIBLE FBC™ System Compatible indicates that this product has been tested, and is monitored on an ongoing basis, to assure its chemical compatibility with FlowGuard Gold®, BlazeMaster® and Corzan® pipe and fittings. FBC, FlowGuard Gold, BlazeMaster and Corzan are licensed trademarks of The Lubrizol Corporation.</p>
--	---	--	--

STI is a member of the following organizations:



Somerville NJ 08876 USA • Phone: 800.992.1180 • Fax: 908.526.9623

